

20.999.5.0216BKT - BELT UX 2.2KW 230V/50Hz RAL 9006  
 20.999.5.0201BKT - BELT UX 3KW 230V/50Hz RAL 9006  
 20.999.5.0313BKT - BELT UX 3,7KW 230V/50Hz RAL 9006

20.999.5.0205BKT - BELT UX 3KW 220V/60Hz RAL 9006  
 20.999.5.0214BKT - BELT UX 3.7KW 220V/60Hz RAL 9006



**KUNZLE & TASIN**  
 Via CAJKOVSKIJ 14-20092-CINISELLO BALSAMO (MI)  
 TEL. 02/66040930 FAX 02/66013445

**Belt UX**

KT-BONA

PAGE 1/15

JANUARY 2021

**SPARE PARTS PAGE 1 of 15**

<b>ITEM</b>	<b>PART NUMBER</b>	<b>DESCRIPTION</b>	<b>Q.TY</b>
1	ASO539050	HOSE CLAMP 1.5"+HANDWHEEL	1
2	2099940199	COMPLETE HANDLE ASSEMBLY	1
3	2099940253BKT	DRUM PRESSURE ADJUSTMENT ASSEMBLY	1
4	6900030006	TROLLEY PLATE	1
5	5801930008	NUT M8 (UNI 5588)	1
6	ASO948425	FLANGED BUSHING-2992 JF14X10	1
7	2099940103BKT	COMPLETE CASTER RAL 9006	1
8	2900030026	LOWER ROD	1
9	5800730805	SCREW M8x35 HEX.HEAD (UNI 5739) GALV.	4
10	5802230004	WASHER ø8.4x16x1.6 (UNI 6592) GALVANIZ.	4
11	2600030018	HANDWHEEL MRX63 B-M8	1
12	5802230004	WASHER ø8.4x16x1.6 (UNI 6592) GALVANIZ.	1
13	2000040076BKT	S.PIPE TEXTURED CONNECTION RAL 9006	1
14	5800730811	SCREW M8x75 HEXAG.HEAD (UNI 5739) GALV.	1
15	2099940105BKT	MACHINE BED+DRUM BUSHING-RAL 9006	1
16	5801531005	GRUB SCREW M10x12 HE.SO.C.P.(UNI 5927)	1



**KUNZLE & TASIN**  
Via CAJKOVSKIJ 14-20092-CINISELLO BALSAMO (MI)  
TEL. 02/66040930 FAX 02/66013445

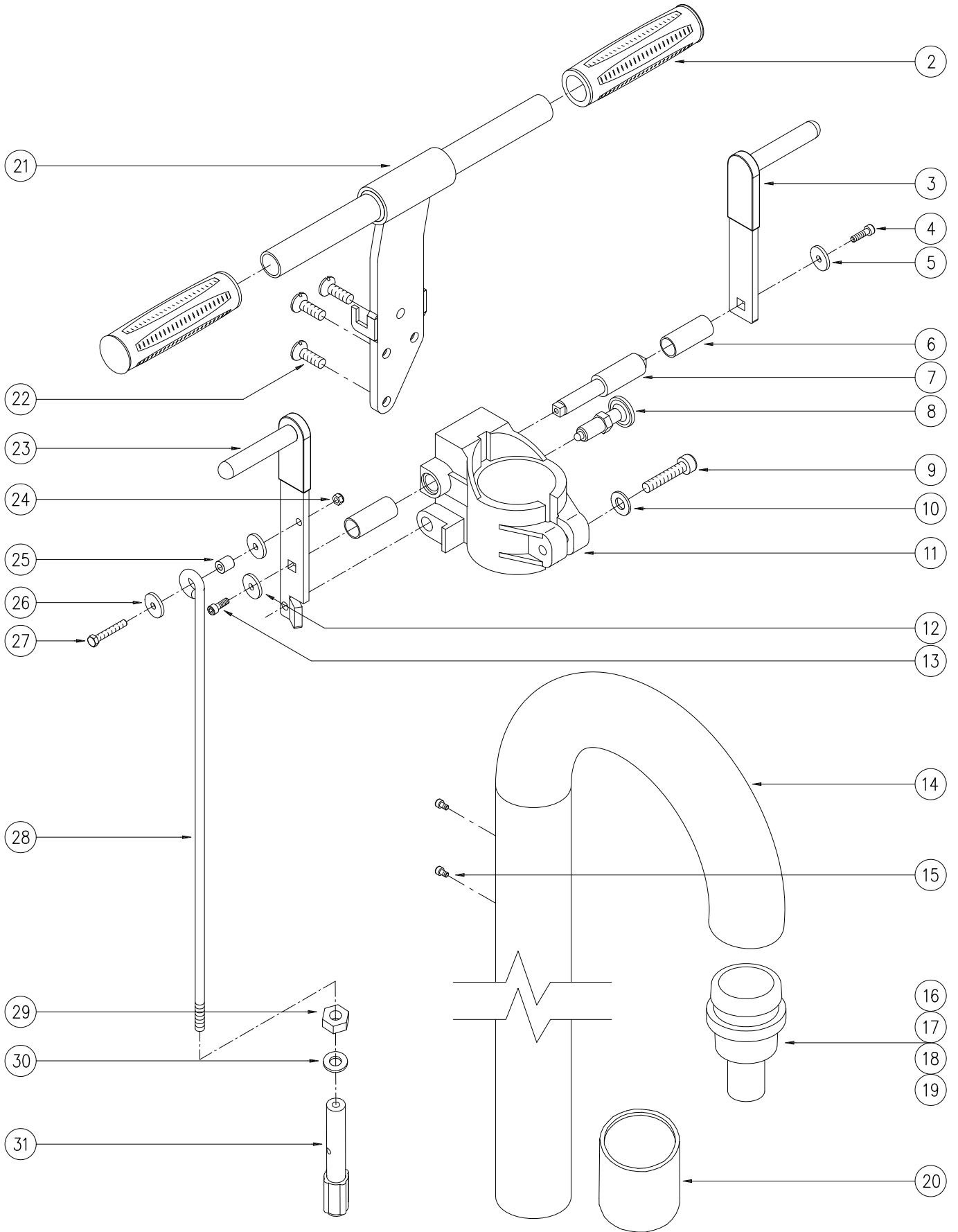
**Belt UX**

KT-BONA

PAGE 1/15

JANUARY 2021

1  
COMPLETE HANDLE



**KUNZLE & TASIN**  
Via CAJKOVSKIJ 14-20092-CINISELLO BALSAMO (MI)  
TEL. 02/66040930 FAX 02/66013445

**Belt UX**

KT-BONA  
PAGE 2/15  
JANUARY 2021

**SPARE PARTS PAGE 2 of 15**

<b>ITEM</b>	<b>PART NUMBER</b>	<b>DESCRIPTION</b>	<b>Q.TY</b>
1	2099940199	COMPLETE HANDLE ASSEMBLY	1
2	2000030116	BLACK RUBBER HANDGRIP	2
3	2000030106GO	DRUM CONTR.RUBBERIZED LEFT LEVER	1
4	5800330502	SCREW M5x12 (UNI 5931) GALVANIZED	1
5	0100040078	WASHER ø5.5x20 TH.2.5 GALVANIZED	1
6	2900030046	BUSH IGUS WSM 1214-20	2
7	2000030108	HANDLE LEVERS PANEL PIN	1
8	2900030045	RED KNOB PLUNGER GN617-6	1
9	5800330811	SCREW M8x40 HEX.SO.HE.CAP (UNI 5931) GALV	1
10	5100030244	WASHER ø8.5x20 TH.3 GALVANIZED	1
11	2000040078BKT	HEIGHT ADJUSTMENT RING RAL 9006	1
12	0100040078	WASHER ø5.5x20 TH.2.5 GALVANIZED	1
13	5800330502	SCREW M5x12 (UNI 5931) GALVANIZED	1
14	2000030098Z	SUCTION PIPE-SANDBLASTED GALVANIZED	1
15	5800330401	SCREW M4x6 HEX.SO.H.C.(UNI 5931) GALV.	2
16	2099940254	SUCTION / PAPER BAG ADAPTER ASSEMBLY	1
17	2000030104	PAPER BAG ADAPTER-REMOTE SUCTION	1
18	5801531004	CONE P.GRUB SCREW M6x10 HE.SOCK.END	1
19	ASO316019	ALUMINIUM SUCTION PIPE L=100 RS	1
20	5100030017	INSULATING SLEEVE	1
21	2000030105	HANDGRIP SUPPORT	1
22	5800630801	SCREW M8x20 (UNI 5933) GALVANIZED	3
23	2000030107GO	DRUM CONTR.RUBBERIZED RIGHT LEVER	1
24	5801933005	NUT M5 SELF-LOCKING (DIN 982) GALVANIZ.	1
25	5100030078	SPACER	1
26	0100040078	WASHER ø5.5x20 TH.2.5 GALVANIZED	2
27	5800730504	SCREW M5x30 (UNI 5739)	1
28	2000030115	HANDLE UPPER ROD	1
29	5801930008	NUT M8 (UNI 5588)	1
30	5802234001	WASHER ø8.4x24x2 GALVANIZ.	1
31	5299940274	WHEELS CONTR.JOINT (JOINT+BUSHING)	1



**KUNZLE & TASIN**  
 Via CAJKOVSKIJ 14-20092-CINISELLO BALSAMO (MI)  
 TEL. 02/66040930 FAX 02/66013445

**Belt UX**

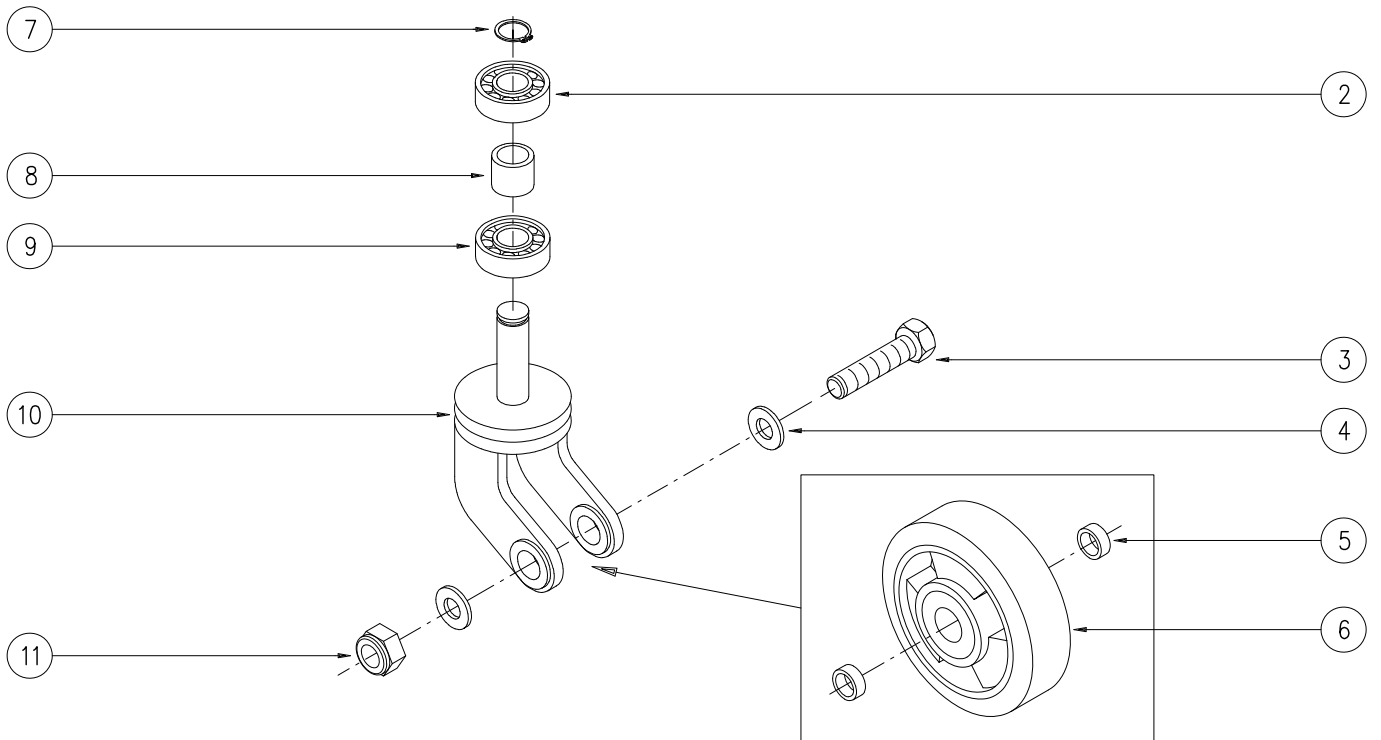
KT-BONA

PAGE 2/15

JANUARY 2021

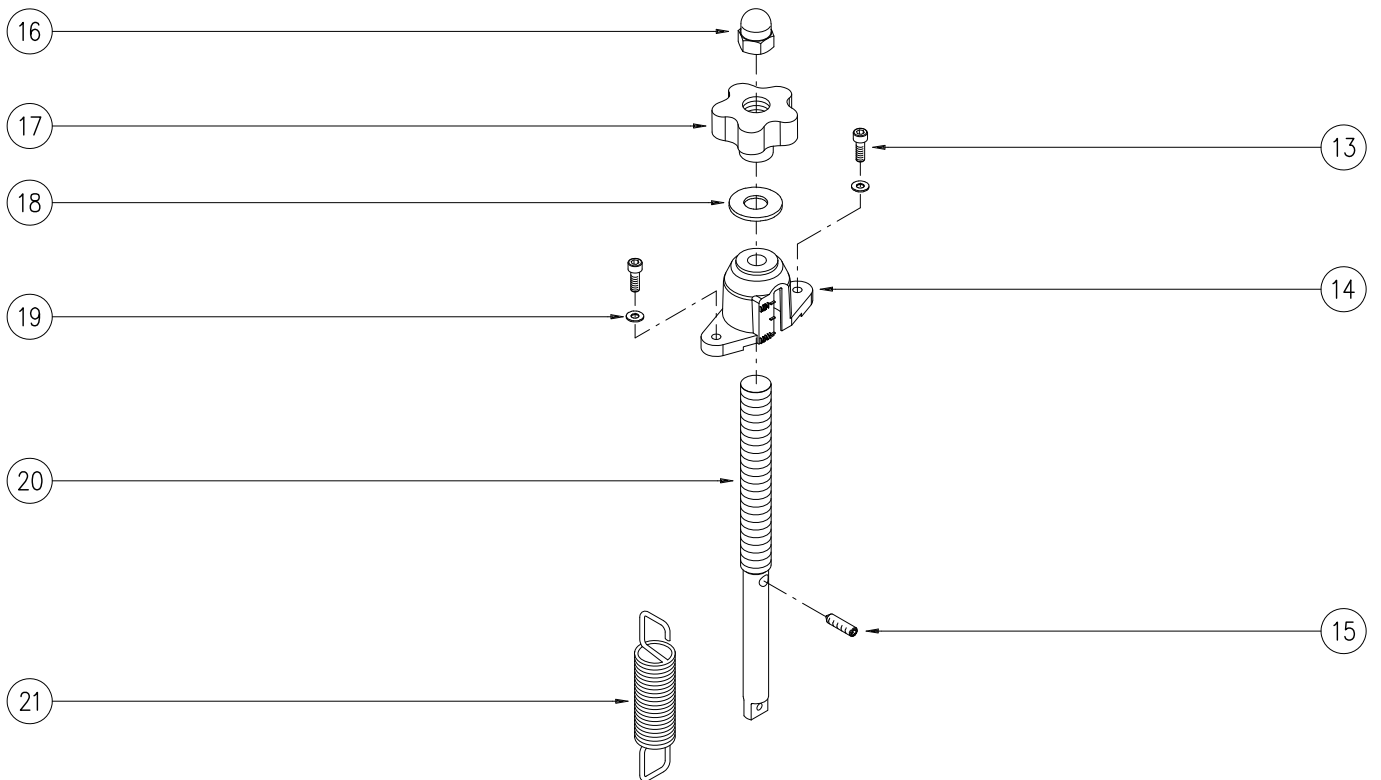
1

SWIVEL CASTER



12

DRUM PRESSURE ADJUSTMENT DEVICE



**KUNZLE & TASIN**  
Via CAJKOVSKIJ 14-20092-CINISELLO BALSAMO (MI)  
TEL. 02/66040930 FAX 02/66013445

**Belt UX**

KT-BONA  
PAGE 3/15  
JANUARY 2021

**SPARE PARTS PAGE 3 of 15**

<b>ITEM</b>	<b>PART NUMBER</b>	<b>DESCRIPTION</b>	<b>Q.TY</b>
1	2099940103BKT	COMPLETE CASTER RAL 9006	1
2	5804032105	BEARING 6202 2RS TE	1
3	5800731202	SCREW M12x80 HEXA.HEAD (UNI 57399 GAL.	1
4	5802230006	WASHER ø13x24 (UNI 65929 GALVANIZED	2
5	2000030081	SPACER	2
6	ASO117060	PREASSEMBLED MACHINED WHEEL 75MM	1
7	5803030003	SNAP RING 15 E	1
8	2000040009	CASTER SPACER	1
9	5804032105	BEARING 6202 2RS TE	1
10	2099940107BKT	BRACKET+CASTER PIN RAL 9006	1
11	5801936002	NUT SELF-LOCKING M12	1
12	2099940253BKT	DRUM PRESSURE ADJUSTMENT ASSEMBLY	1
13	5800330404	SCREW M4x16 HE.SO.HE.C.(UNI 5931) GAL.	2
14	2900040022BKT	DRUM PR.ADJ.SUPPORT RAL 9006 HOLE 12	1
15	5801530006	GRUB SCREW M5x25 CUP POINT ALL.SOCK	1
16	5801937003	NUT M12 DOMED (UNI 5721)	1
17	5100040012	SILK SCR.PRINTED HANDWHEEL M12	1
18	5802230006	WASHER ø13x24 (UNI 6592) GALVANIZED	1
19	5802230001	WASHER ø4 GALVANIZED	2
20	2000030109	THREADED STUD M12 DRUM PRESS.ADJ.	1
21	ASO940070	SPRING SS1774 2x18x75	1



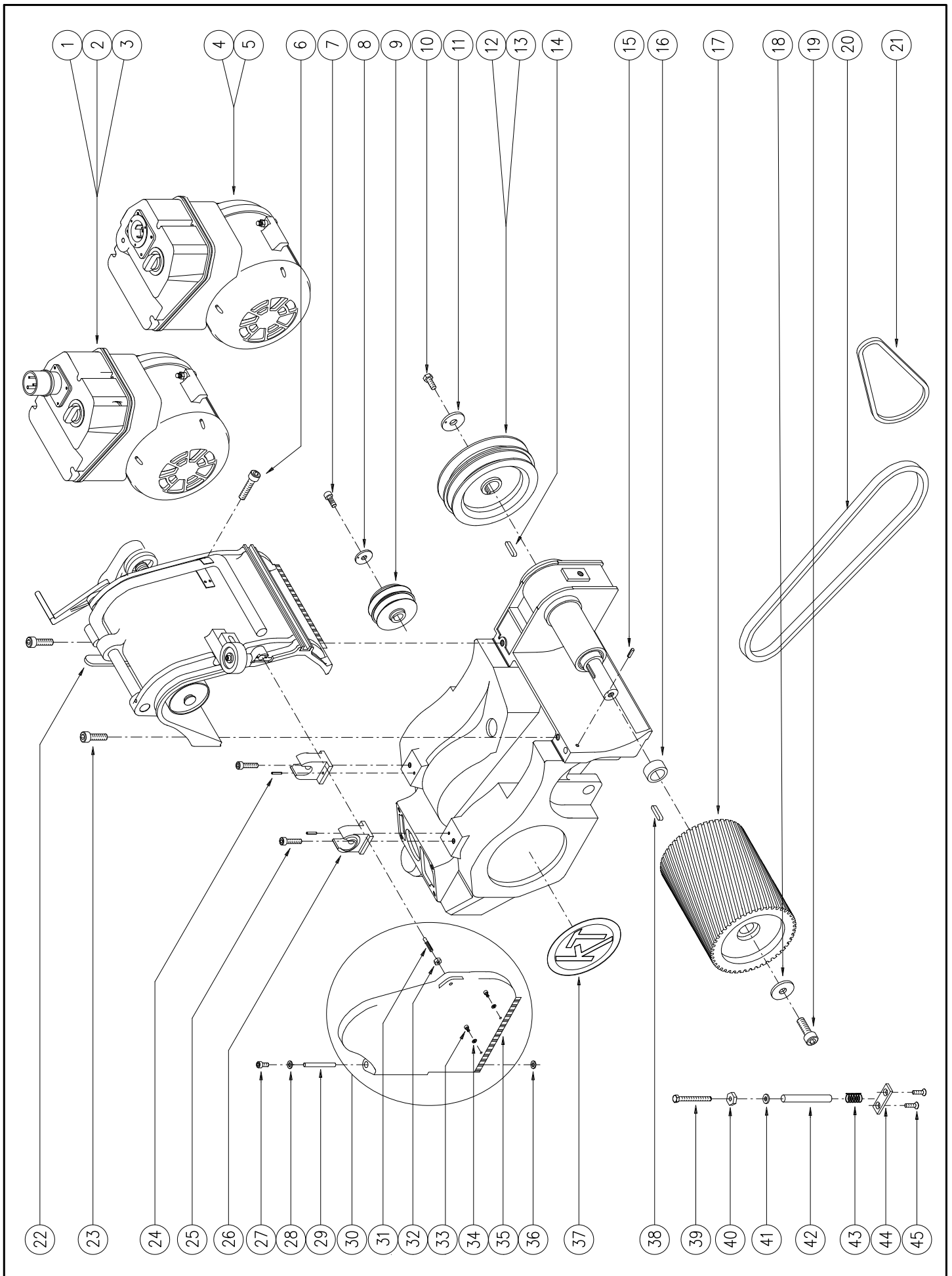
**KUNZLE & TASIN**  
Via CAJKOVSKIJ 14-20092-CINISELLO BALSAMO (MI)  
TEL. 02/66040930 FAX 02/66013445

**Belt UX**

KT-BONA

PAGE 3/15

JANUARY 2021



**KUNZLE & TASIN**  
 Via CAJKOVSKIJ 14-20092-CINISELLO BALSAMO (MI)  
 TEL. 02/66040930 FAX 02/66013445

# Belt UX

KT-BONA

PAGE 4/15

JANUARY 2021

**SPARE PARTS PAGE 4 of 15**

<b>ITEM</b>	<b>PART NUMBER</b>	<b>DESCRIPTION</b>	<b>Q.TY</b>
1	2099940248BKT	COMPLETE MOTOR 2.2KW 230V/50HZ	1
2	2099940247BKT	COMPLETE MOTOR 3KW 230V/50HZ	1
3	2099940245BKT	COMPLETE MOTOR 3.7KW 230V/50HZ	1
4	2099940246BKT	COMPLETE MOTOR 3KW 220V/60HZ	1
5	2099940249BKT	COMPLETE MOTOR 3.7KW 220V/60HZ	1
6	5800331003	SCREW M10x40 (UNI 5931)	1
7	5800330803	SCREW M8x25 (UNI 5931) GALVANIZED	1
8	0700040910	PULLEY LOCK.WASHER ø8.5x35x4 GALVANIZED	1
9	1300040892	MOTOR PULLEY	1
10	5800730802	SCREW M8x20 (UNI 5739) GALVANIZED	1
11	0700040910	PULLEY LOCK.WASHER ø8.5x35x4 GALVANIZED	1
12	0700040904	DRUM PULLEY 50HZ	1
13	5100040045	DRUM PULLEY 60HZ	1
14	5802630003	KEY 6x6x20	1
15	5801530009	CUP PO.GRUB SCREW M5x5 HEX.SOCK.END	1
16	0700040905	SHAFT DRUM SPACER	1
17	2099940098	DRUM FLAT SPLINED	1
18	0700040907	DRUM LOCKING WASHER	1
19	5100040232	ALLEN BOLT ø12x30	1
20	0700030906	DRUM BELT GATES B37 HI-POWER 17x950LI	1
21	5100031134	DRIVE BELT 10ZX 0685 ZX26 665LI	1
22	2099940071BKT	ABRAS.BELT COMPL.GUARD ASS'Y RAL 9006	1
23	5800331002	SCREW M10x30 (UNI 5931)	2
24	5803733018	SPRING PIN ø4x20	2
25	5800330804	SCREW M8x30 HE.SO.HE.CAP (UNI 5931) GALV.	2
26	5100040210BKT	MOTOR SUPPORT RAL 9006	2
27	5800330601	SCREW M6x10 HE.SO.HE.CA.(UNI 5931) GALV.	1
28	5802230003	WASHER ø6.4X12.5 (UNI 6592) GALVANIZED	1
29	5803731002	THREADED CYLINDRIC PIN ø10x90xM6 6364B	1
30	2099940301BKT	SIDE GUARD+BRISTLE STRIP	1
31	2000040042	SIDE GUARD PIN	1
32	5801930005	NUT M5 (UNI 5588)	1
33	5800330401	SCREW M4x6 HEX.SO.H.C.(UNI 5931) GALV.	2
34	5802230001	WASHER ø4 GALVANIZED	2
35	2000030113	SIDE GUARD BRISTLE STRIP L=150	1
36	5802230005	WASHER ø10.5x20 (UNI 6592) GALVANIZED	1
37	5100031293	KT ROUND BLUE LABEL ø130	1
38	5802630008	KEY 6x6x32 (UNI 6604)	1
39	5800730807	SCREW M8x50 (UNI 5739) GALVANIZED	1
40	5801930008	NUT M8 (UNI 5588)	1
41	5802230004	WASHER ø8.4x16x1.6 (UNI 6592) GALVANIZ.	1
42	5803730006	CYLINDR.HARDENED PIN ø10x80 (DIN 6325)	1
43	5100030102	WHEELS SUPPORT SPRING	1
44	5100040108	WHEELS SUPPORT PLATE	1
45	5800530402	SCREW M4x12 CRFH (UNI 7688) (DIN 965) GALV.	2



**KUNZLE & TASIN**  
 Via CAJKOVSKIJ 14-20092-CINISELLO BALSAMO (MI)  
 TEL. 02/66040930 FAX 02/66013445

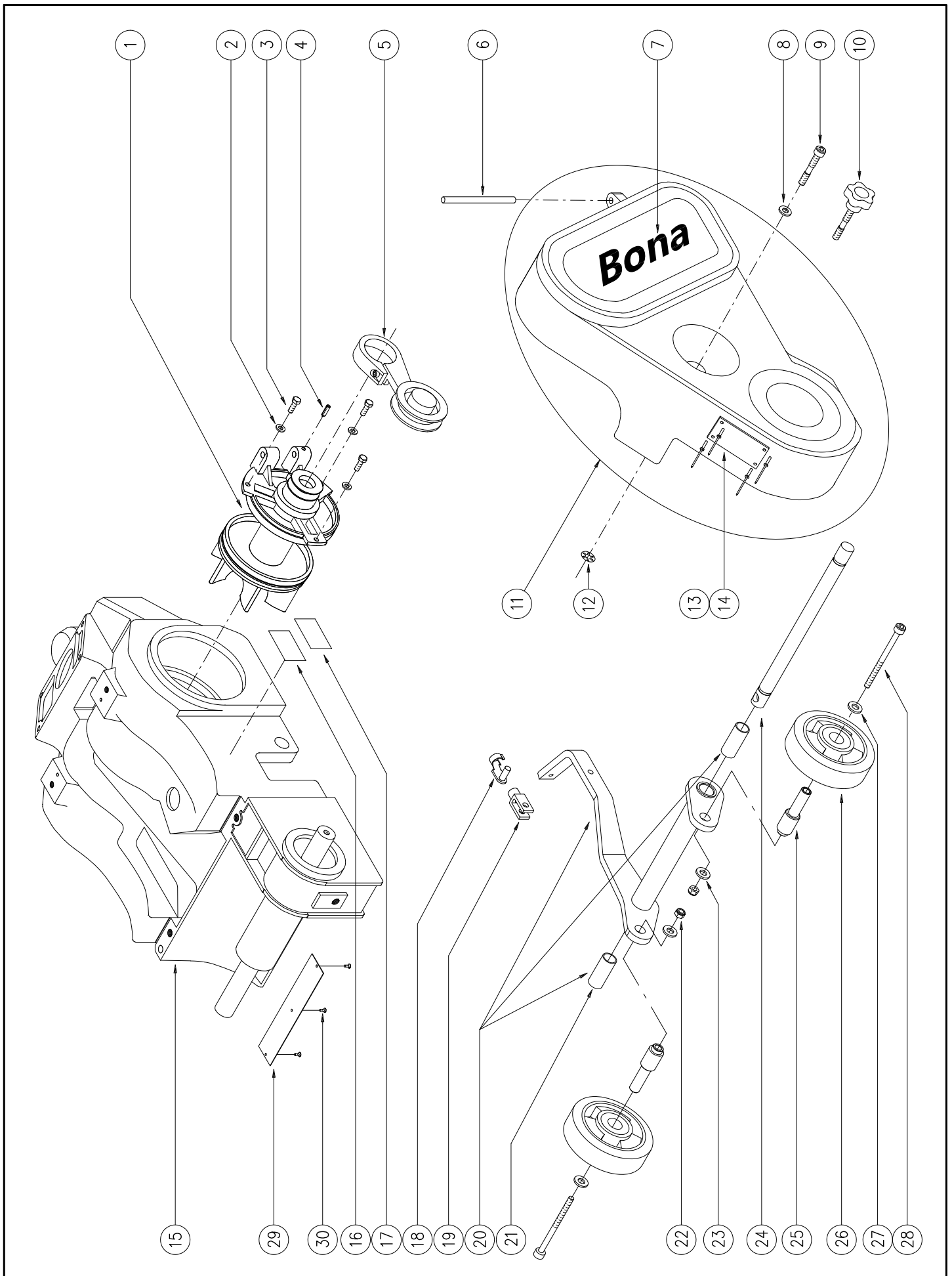
**Belt UX**

KT-BONA

PAGE 4/15

JANUARY 2021





**KUNZLE & TASIN**  
 Via CAJKOVSKIJ 14-20092-CINISELLO BALSAMO (MI)  
 TEL. 02/66040930 FAX 02/66013445

## Belt UX

KT-BONA

PAGE 5/15

JANUARY 2021

**SPARE PARTS PAGE 5 of 15**

<b>ITEM</b>	<b>PART NUMBER</b>	<b>DESCRIPTION</b>	<b>Q.TY</b>
1	5299940271	SUCTION ASSEMBLY	1
2	5802230003	WASHER ø6.4X12.5 (UNI 6592) GALVANIZED	3
3	5800730601	SCREW (UNI 57399 M6x16 GALVANIZED	3
4	5801531001	CONE POINT GRUB SCREW M5x6 (UNI 5927)	1
5	1999940017	COMPLETE TIGHTENING PULLEY	1
6	0200030286	DRIVE BELTS GUARD PIN	1
7	5100031294	BONA BLUE LABEL 174x46	1
8	5802230004	WASHER ø8.4x16x1.6 (UNI 6592) GALVANIZ.	1
9	5100040037	DRIVE BELTS GUARD FIXING SCREW	1
10	5100041001	MACHINED HANDWHEEL VH153/44P M8x50	1
11	2099940012BKT	BELTS GUARD+WARN.PLATE ASS'Y RAL 9006	1
12	5803032001	KS7 SNAP RING	1
13	5100031141	WARNING PLATE	1
14	5100030620	ALUMINIUM BLIND RIVET ø2.4x6	4
15	2099940105BKT	MACHINE BED+DRUM BUSHING RAL 9006	1
16	ASO996102	THERMAL TRANSFER LABEL 70x35 SILVER	1
17	ASO996109	TRANSPARENT FILM 70x35	1
18	5100031049	PIN 8x16 STANDARD 01	1
19	5100031050	FORK 8x16 SXN02	1
20	2099940077	WHEELS SUPPORT+BUSHINGS	1
21	2900030044	BUSH IGLIDUR	2
22	5801933008	NUT M8 HEX.SELF-LOCK.(DIN 982) GALV.	2
23	5100030244	WASHER ø8.5x20 TH.3 GALVANIZED	2
24	2000040082	WHEELS SUPPORT SHAFT	1
25	2000030118	SIDE WHEEL PIN	2
26	ASO117107	COMPLETE WHEEL ø100MM	2
27	5802230004	WASHER ø8.4x16x1.6 (UNI 6592) GALVANIZ.	2
28	5800330809	SCREW M8x80 HEX.SOC.HEA.CAP (UNI 5931)	2
29	2900030037	SUCTION METAL SHEET	1
30	5800530401	SCREW M4x10 CRFH (UNI 7688 DIN 965) GALV.	3



**KUNZLE & TASIN**  
 Via CAJKOVSKIJ 14-20092-CINISELLO BALSAMO (MI)  
 TEL. 02/66040930 FAX 02/66013445

**Belt UX**

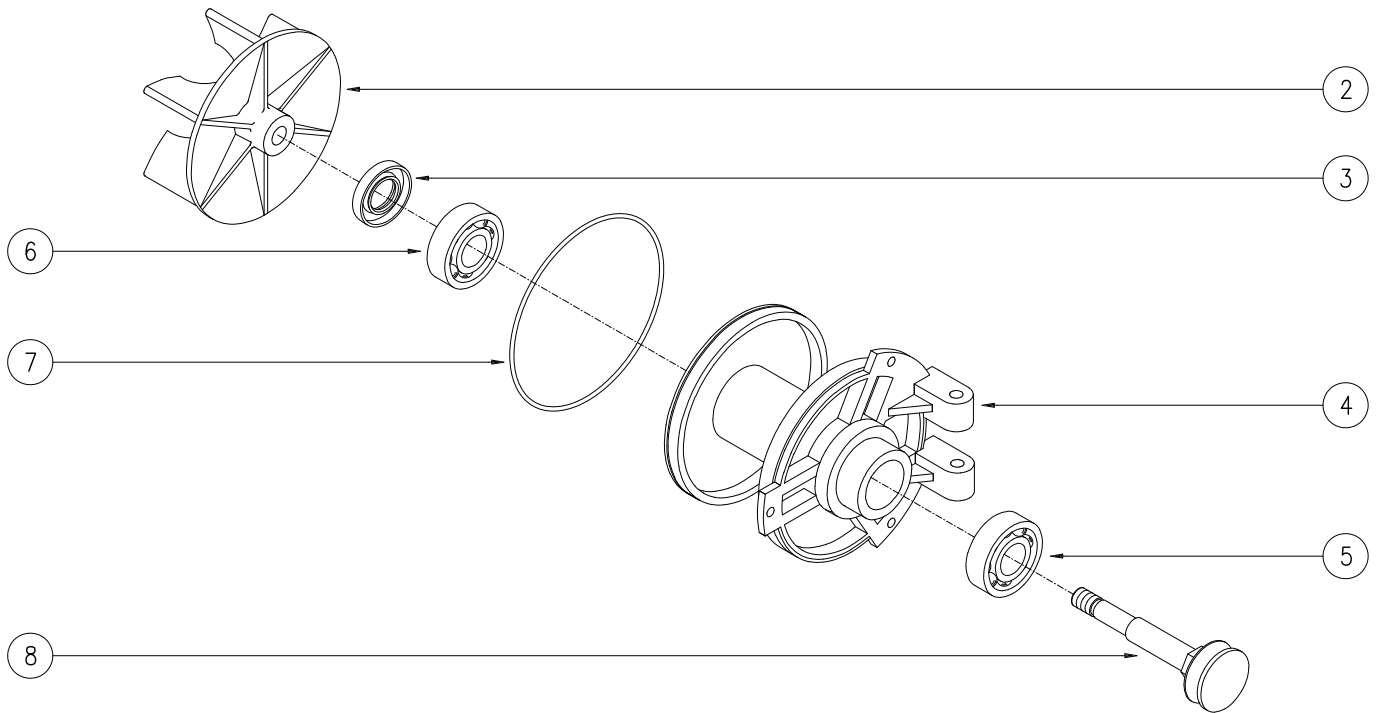
KT-BONA

PAGE 5/15

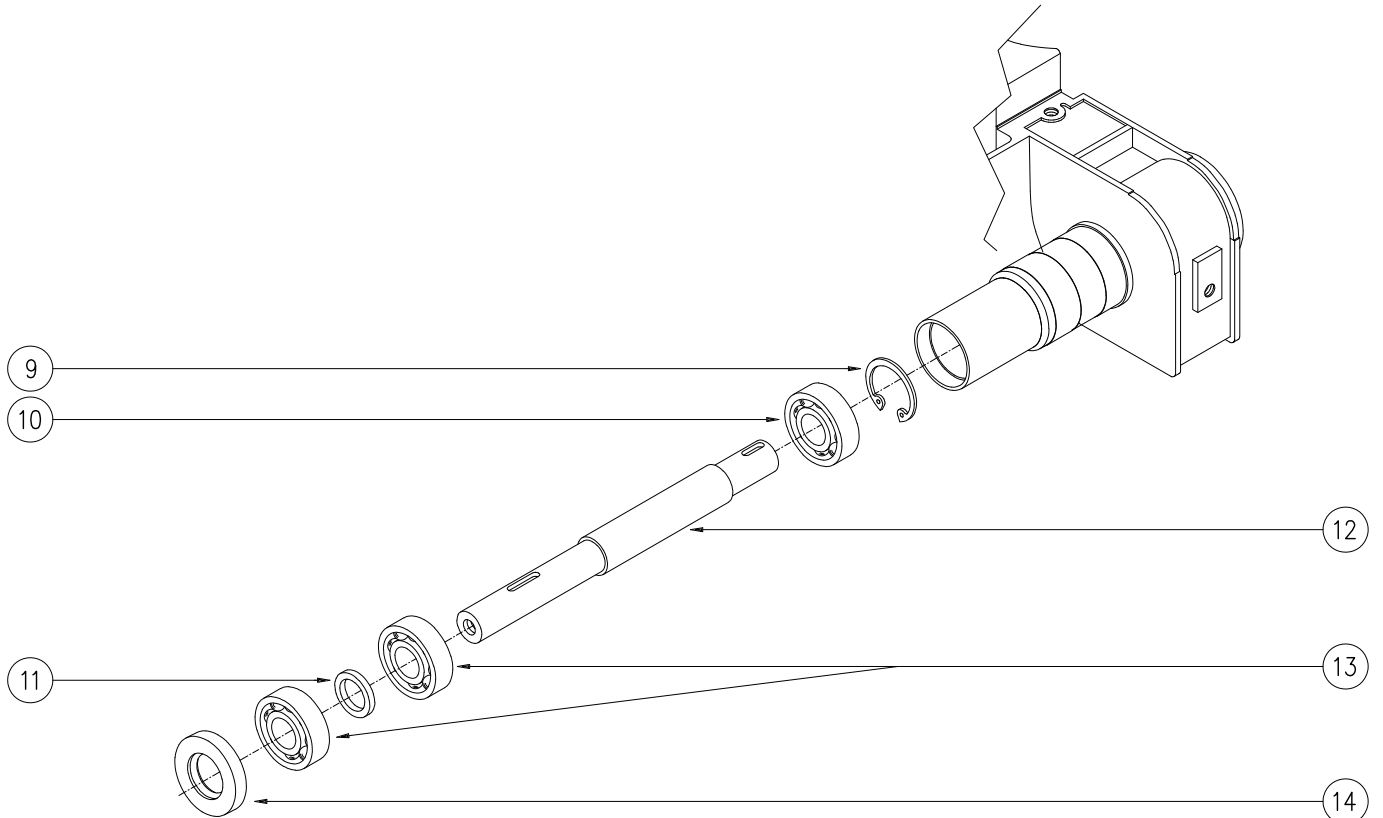
JANUARY 2021

1

SUCTION GROUP



BUSH DRUM GROUP



**KUNZLE & TASIN**  
Via CAJKOVSKIJ 14-20092-CINISELLO BALSAMO (MI)  
TEL. 02/66040930 FAX 02/66013445

**Belt UX**

KT-BONA  
PAGE 6/15  
JANUARY 2021

**SPARE PARTS PAGE 6 of 15**

<b>ITEM</b>	<b>PART NUMBER</b>	<b>DESCRIPTION</b>	<b>Q.TY</b>
1	5299940271	SUCTION ASSEMBLY	1
2	1900040016	SAND.MACHINES MACHINED SUCTION FAN	1
3	5803430003	ROTARY SHAFT SEAL A22357	1
4	5100040018	INTAKE BUSHING	1
5	5804032006	BEARING 6202-2RS1	1
6	5804032005	BEARING 6201-2RS1	1
7	5803431004	O RING GASKET 3450	1
8	5100040013	SUCTION SHAFT	1
9	5803031011	RING 52 I (UNI 7437-75)	1
10	ASO916205	BALL BEARING 6205-2RSH	1
11	5100040224	BEARING SPACER	1
12	0700040906	DRUM SHAFT	1
13	5804032013	RADIAL BALL BEARING 6005-2RS1	2
14	5803430008	ROTARY SHAFT SEAL A355010	1



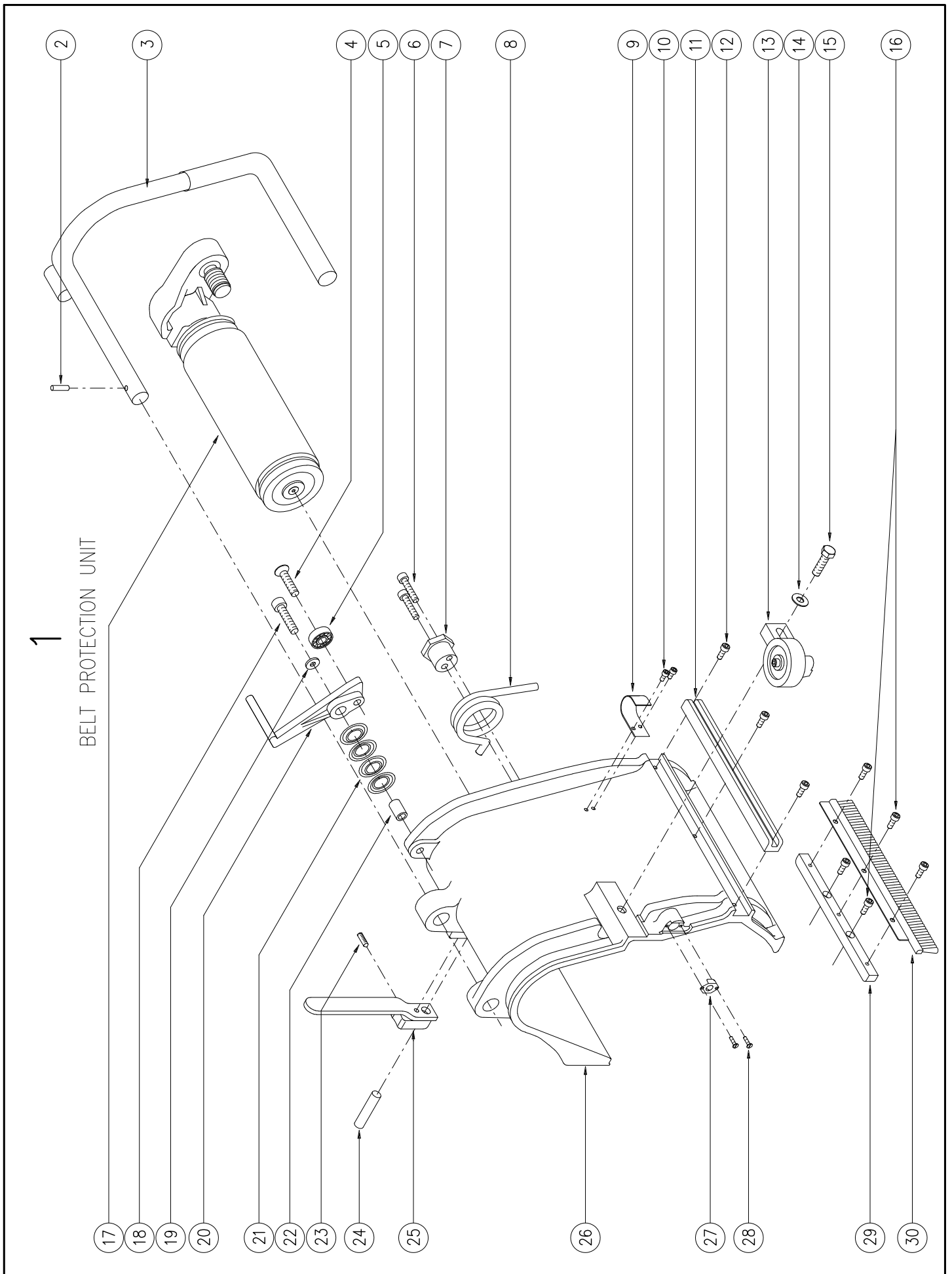
**KUNZLE & TASIN**  
Via CAJKOVSKIJ 14-20092-CINISELLO BALSAMO (MI)  
TEL. 02/66040930 FAX 02/66013445

**Belt UX**

KT-BONA

PAGE 6/15

JANUARY 2021



**KUNZLE & TASIN**  
 Via CAJKOVSKIJ 14-20092-CINISELLO BALSAMO (MI)  
 TEL. 02/66040930 FAX 02/66013445

**Belt UX**

KT-BONA

PAGE 7/15

JANUARY 2021

**SPARE PARTS PAGE 7 of 15**

<b>ITEM</b>	<b>PART NUMBER</b>	<b>DESCRIPTION</b>	<b>Q.TY</b>
1	2099940071BKT	ABRAS.BELT COMPL.GUARD ASS'Y RAL 9006	1
2	5803733018	SPRING PIN ø4x20	1
3	2099940035GON	BLACK RUBBERIZED HANDLING FRAME	1
4	5800630805	SCREW M8x25 HEX.S.COUNT.H.(UNI 5933)	1
5	5804032102	BEARING 609 2RS TE	1
6	5800330607	SCREW M6x30 (UNI 5931) GALVANIZED	2
7	2000040014	SPRING CAM	1
8	2000030026	TENSIONER BIG SPRING	1
9	5100031043	FRAME LOCK SPRING	1
10	5800330401	SCREW M4x6 HEX.SO.H.C.(UNI 5931) GALV.	2
11	2000040069	RUBBER BUMPER	1
12	5800330502	SCREW M5x12 (UNI 5931) GALVANIZED	3
13	2099940030BKT	COMPLETE WALL EDGE RAL 9006	1
14	5802230004	WASHER ø8.4x16x1.6 (UNI 6592) GALVANIZ.	1
15	5800730803	SCREW M8x25 (UNI 5739) GALVANIZED	1
16	5800330501	SCREW M5x10 (UNI 5931) GALVANIZED	3
17	2099940100BKT	TENSIONER 3 RAL 9006	1
18	5800330805	SCREW M8x35 (UNI 5931) GALVANIZED	1
19	5802230004	WASHER ø8.4x16x1.6 (UNI 6592) GALVANIZ.	1
20	5100040900GO	TENSIONER LOWERING LEVER	1
21	5100031074	DISC SPRING WASHER (DIN 2093) ø12.2x23x1	4
22	1900040031	SPACER	1
23	5801530002	GRUB SCREW M6x8 (UNI 59230)	1
24	5803731001	CYLINDRIC.HARD.THREAD.PIN M6 ø10x45	1
25	2099940075GO	BELT RUBBERIZ.TIGHTEN.LEVER ASS'Y	1
26	2000040002BKT	SANDING BELT MACHINED GUARD RAL 9006	1
27	5100031048	FAST LOCK C11	1
28	5800230301	SCREW M3x6 CROSS REC.PAN H.(UNI 7687)	2
29	2000030114	FRONT BRISTLE STRIP ALUM.SUPPORT	1
30	2000030111	BELT GUARD BRISTLE STRIP L=230mm	1



**KUNZLE & TASIN**  
 Via CAJKOVSKIJ 14-20092-CINISELLO BALSAMO (MI)  
 TEL. 02/66040930 FAX 02/66013445

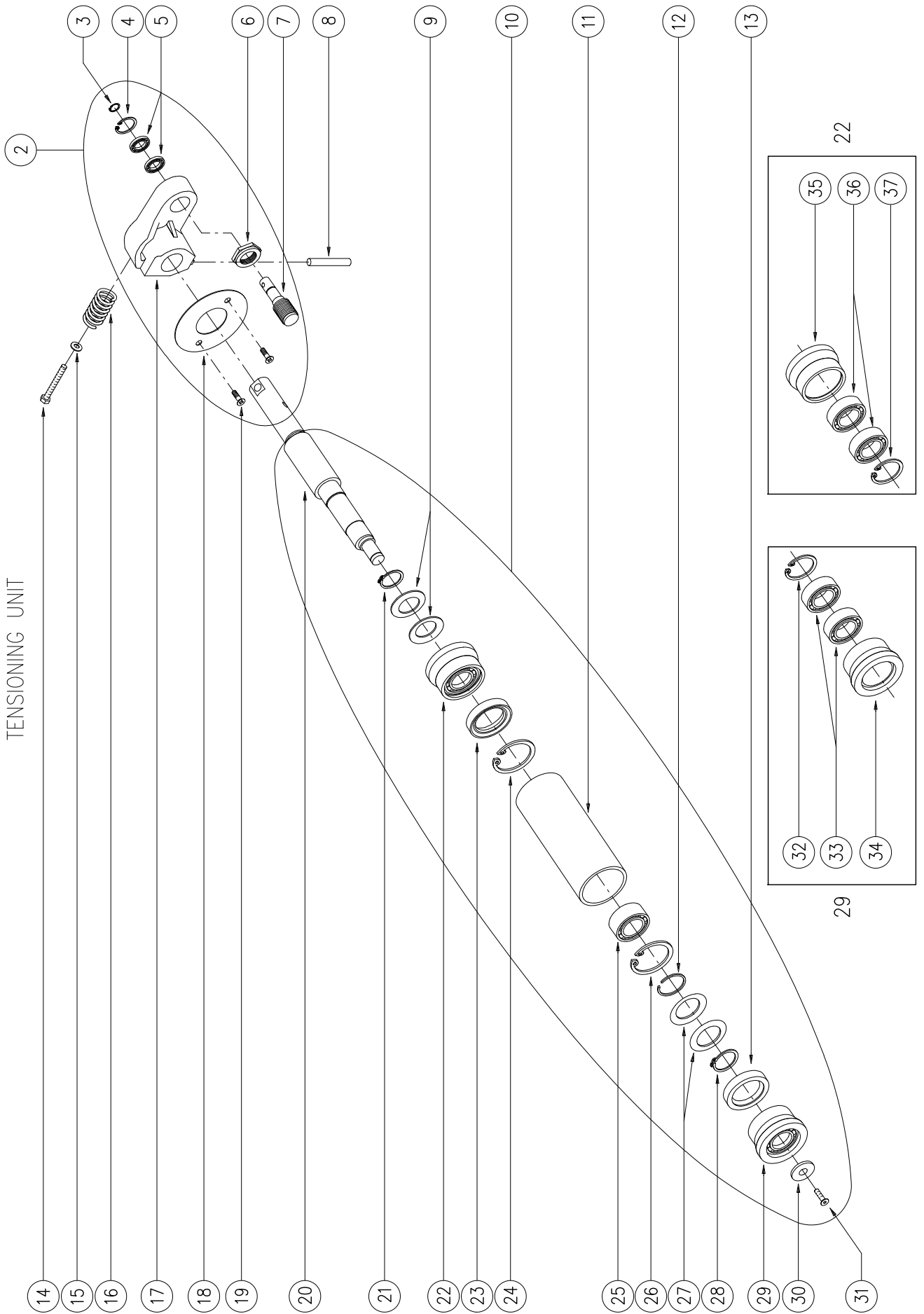
**Belt UX**

KT-BONA

PAGE 7/15

JANUARY 2021

1  
TENSIONING UNIT



**KUNZLE & TASIN**  
 Via CAJKOVSKIJ 14-20092-CINISELLO BALSAMO (MI)  
 TEL. 02/66040930 FAX 02/66013445

**Belt UX**

KT-BONA  
 PAGE 8/15  
 JANUARY 2021

**SPARE PARTS PAGE 8 of 15**

<b>ITEM</b>	<b>PART NUMBER</b>	<b>DESCRIPTION</b>	<b>Q.TY</b>
1	2099940100BKT	TENSIONER 3 RAL 9006	1
2	2099940110BKT	TENSIONER SUPPORT ASSEMBLY RAL 9006	1
3	5803030002	SNAP RING 12 E	1
4	5803031004	RING 28 I (UNI 7437-75)	1
5	5804032103	BEARING 6001-2RS T.E.	2
6	2000040040	TENSIONER ASSEMBLY RING NUT	1
7	2000040027	TENSIONER ASS'Y AXIAL ADJUST.SCREW	1
8	5803730003	CYLINDRIC.HARDENED PIN 8x50 (DIN 6325)	1
9	5802330001	BELLEVILLE WASHER ø25.5x41.6x-0.5	2
10	2099940111	TENSIONER DRUM 3 ASSEMBLY	1
11	2000030070	TENSIONING DRUM 3	1
12	5803035001	SEEGER RING SW 32	1
13	5803430012	ROTARY SHAFT SEAL 326210	1
14	5800730607	SCREW M6x50 (UNI 5739)	1
15	5802230003	WASHER ø6.4x12.5 (UNI 6592) GALVANIZED	1
16	2000030029	TENSIONER ADJUSTING SPRING	1
17	2000040028BKT	TENSIONER SUPPORT RAL 9006	1
18	5100030109	TENSIONER SUPPORT METAL SHEET	1
19	5800530401	SCREW M4x10 CRFH (UNI 7688) (DIN 965) GALV.	2
20	2000030071	TENSIONER SHAFT 3	1
21	5803030009	SNAP RING 25 E	1
22	2099940102	COMPLETE INTERNAL CONICAL RING	1
23	5803430013	ROTARY SHAFT SEAL 356210	1
24	5803031010	SNAP RING 62 I (UNI 7437)	1
25	5804031002	BEARING 2206-E 2RS1	1
26	5803031010	SNAP RING 62 I (UNI 7437)	1
27	5802330002	BELLEVILLE WASHER ø30.5x46.5x0.6	2
28	5803030007	SNAP RING 30 E (UNI 7435-75)	1
29	2099940101	COMPLETE OUTER CONICAL RING	1
30	2000040074	TENSIONER ASSEMBLY WASHER	1
31	5800630502	SCREW M5x16 (UNI 5933) GALVANIZED	1
32	5803031008	SNAP RING 42 I	1
33	5804032011	BALL BEARING 6004-2RS	2
34	2000040072	TENSIONER OUTSIDE CONICAL RING	1
35	2000040073	TENSIONER INTERNAL CONICAL RING	1
36	5804032013	6005-2RS1 RADIAL BALL BEARING	2
37	5803031012	RING 22 (UNI 7437-75)	1



**KUNZLE & TASIN**  
 Via CAJKOVSKIJ 14-20092-CINISELLO BALSAMO (MI)  
 TEL. 02/66040930 FAX 02/66013445

**Belt UX**

KT-BONA

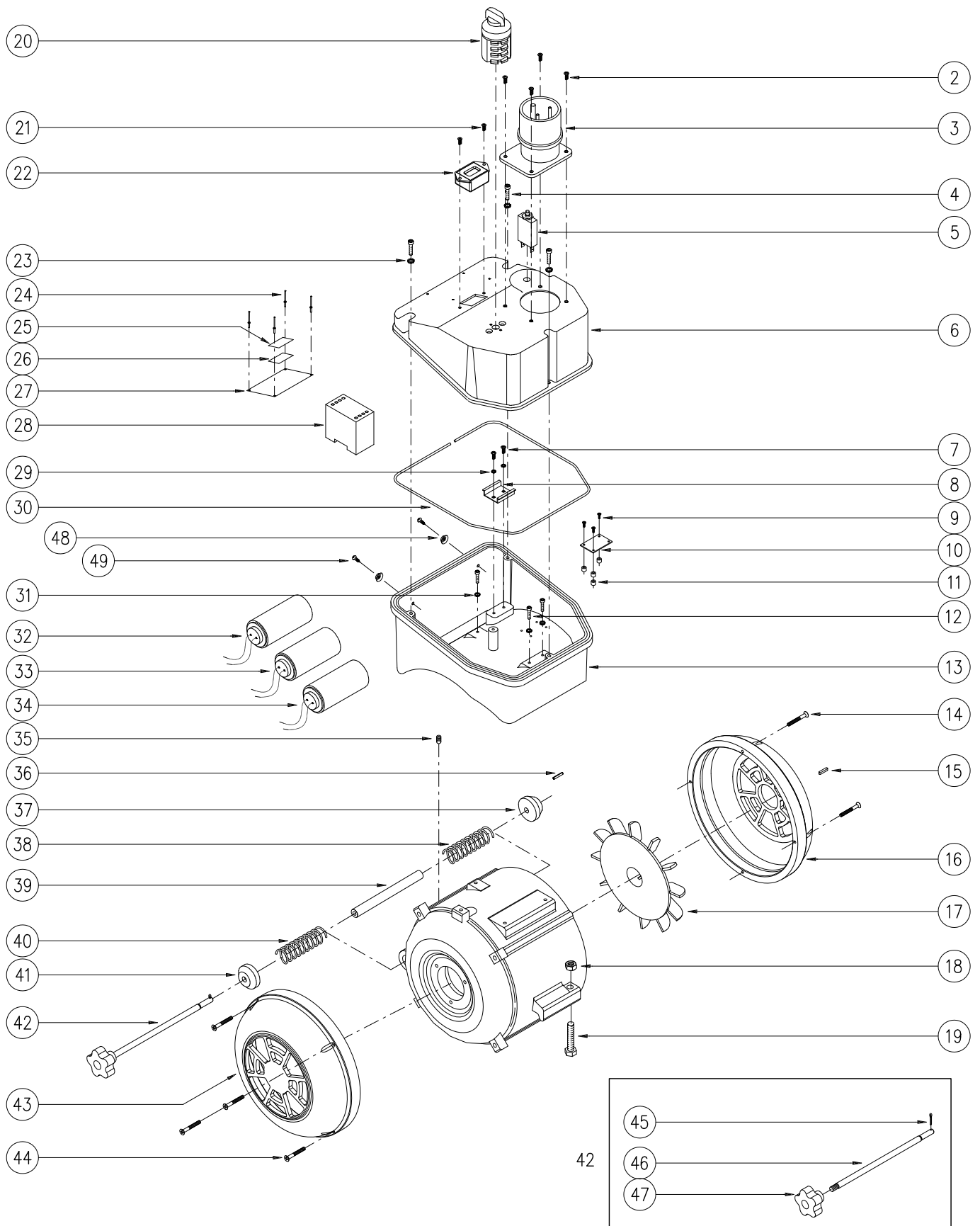
PAGE 8/15

JANUARY 2021



1

COMPLETE MOTOR 2,2KW 230V/50Hz



**KUNZLE & TASIN**  
Via CAJKOVSKIJ 14-20092-CINISELLO BALSAMO (MI)  
TEL. 02/66040930 FAX 02/66013445

**Belt UX**

KT-BONA

PAGE 9/15

JANUARY 2021

## SPARE PARTS PAGE 9 of 15

ITEM	PART NUMBER	DESCRIPTION	Q.TY
1	2099940248BKT	COMPLETE MOTOR 2.2KW 230V/50HZ	1
2	5800230502	SCREW M5x12 CRPH (UNI 7687) (DIN 7985) GAL.	4
3	5100030505	NEW FIXED BLUE PLUG 16A 2P+G	1
4	5800330505	SCREW M5x20 (UNI 5931)	3
5	5299940097	20A THERM.BREAKER+CAP+LABEL+NUT KIT	1
6	2000040054BKT	CONTROL BOX COVER RAL 9006	1
7	5800230402	SCREW M4x10 (UNI 7687) GALVANIZED	2
8	2100040003	CONTACTOR PLATE	1
9	5800230305	SCREW M3x20 CR.RE.PA.HE.(UNI 7687) GALV.	3
10	2000030112	VOLTMETER BOARD	1
11	7200030018	PRINTED CIRCUIT BOARD SPACER	4
12	5800330515	SCREW M5x45 HEX.SOCK.H.C.(UNI 5931) GALV.	3
13	2100040015BKT	CONTROL BOX RAL 9006	1
14	5800530403	SCREW M4x30 CR.RE.FL.H.(UNI 7688) GAL.	4
15	5802630008	KEY 6x6x32 (UNI 6604)	1
16	2100030160BB	MOTOR DRILLED CAP BLUE RAL 5013	1
17	2600030039	LIGHT FAN FOR MOTOR COOLING	1
18	5100030675	NUT M10 SM45/2	1
19	5100040675	DRIVE BELT TIGHTENING SCREW M10x70	1
20	5100031056	CHANGE OVER SWITCH	1
21	5800230402	SCREW M4x10 (UNI 7687) GALVANIZED	2
22	7200030038	HOUR METER WITH DATA & INFO	1
23	5802233002	INT.SERR.LOCK WASHER D5 (DIN 6798/J)	3
24	5100030620	ALUMINIUM BLIND RIVET ø2.4x6	4
25	ASO996109	TRANSPARENT FILM 70x35	1
26	ASO996102	THERMAL TRANSFER LABEL 70x35 SILVER	1
27	5100031336	NEUTRAL MOTOR PLATE	1
28	5100030047	CONTACTOR BF16-10	1
29	5802232001	INT.SERR.LOCK WASHER M4 ø4.3 (6798J)	2
30	ASO928060	RUBBER PROFILE ø6mm	1
31	5802233002	INT.SERR.LOCK WASHER D5 (DIN 6798/J)	3
32	5100030699	CAPACITOR 100µF 400V	1
33	5100030704	CAPACITOR 40µF	1
34	5100030700	CAPACITOR 31.5µF	1
35	5801531002	CONE P.GRUB SCREW M5x10 (UNI 5927)	1
36	5803733006	SPRING PIN ø3x24 (DIN 1481)	1
37	5100040785	THREADED CONICAL WASHER	1
38	5100030668	SPRING INTERNAL ø10.6 LLA107	1
39	5100040665	MOTOR SLEEVE	1
40	5100030668	SPRING INTERNAL ø10.6 LLA107	1
41	5100040667	MOTOR CONICAL WASHER	1
42	5299940780	HANDGRIP WITH MOTOR TIE ROD	1
43	2100030162BB	MOTOR UNDRILLED CAP BLUE RAL 5013	1
44	5800530403	SCREW M4x30 CR.RE.FL.H.(UNI 7688) GAL.	4
45	5802830001	SPLIT PIN ø1.5 L.20 (UNI 1336)	1
46	5100030014	MOTOR TIE ROD	1
47	5100030083	HANDWHEEL VCT.50 B-M8	1
48	2000030119	MALE BUTTONS (PAIR)-BUX	1
49	5801030019	SCREW 3.5x9.5 UNI 6954 SELF TAPPING	2



**KUNZLE & TASIN**  
 Via CAJKOVSKIJ 14-20092-CINISELLO BALSAMO (MI)  
 TEL. 02/66040930 FAX 02/66013445

# Belt UX

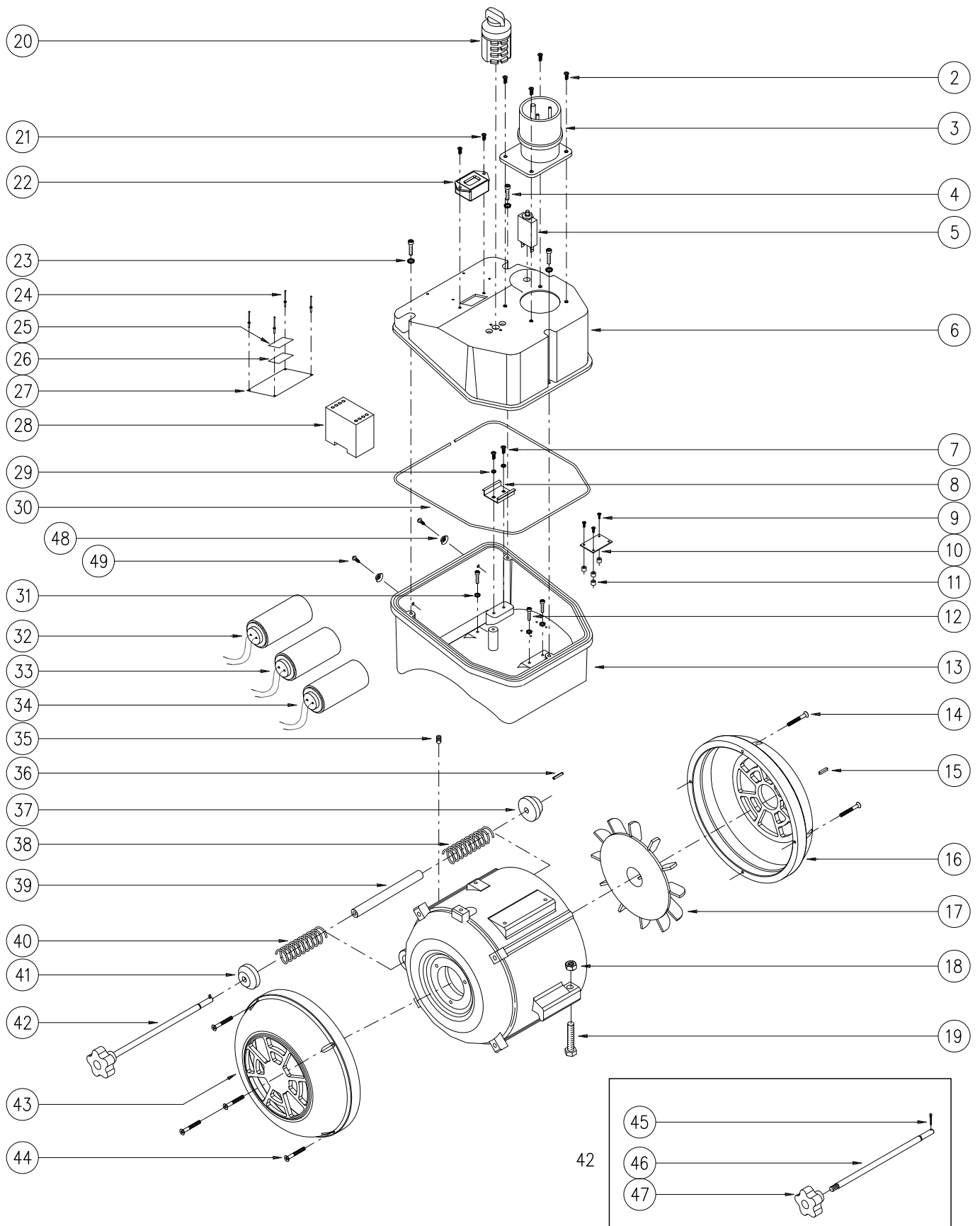
KT-BONA

PAGE 9/15

JANUARY 2021

1

COMPLETE MOTOR 3KW 230V/50Hz



**KUNZLE & TASIN**  
Via CAJKOVSKIJ 14-20092-CINISELLO BALSAMO (MI)  
TEL. 02/66040930 FAX 02/66013445

**Belt UX**

KT-BONA  
PAGE 10/15  
JANUARY 2021

## SPARE PARTS PAGE 10 of 15

ITEM	PART NUMBER	DESCRIPTION	Q.TY
1	2099940247BKT	COMPLETE MOTOR 3KW 230V/50HZ	1
2	5800230502	SCREW M5x12 CRPH (UNI 7687) (DIN 7985) GAL.	4
3	5100030656	NEW FIXED PLUG CE 32A 2P+G	1
4	5800330505	SCREW M5x20 (UNI 5931)	3
5	5299940097	20A THERM.BREAKER+CAP+LABEL+NUT KIT	1
6	2000040054BKT	CONTROL BOX COVER RAL 9006	1
7	5800230402	SCREW M4x10 (UNI 7687) GALVANIZED	2
8	2100040003	CONTACTOR PLATE	1
9	5800230305	SCREW M3x20 CR.RE.PA.HE.(UNI 7687) GALV.	3
10	2000030112	VOLTMETER BOARD	1
11	7200030018	PRINTED CIRCUIT BOARD SPACER	4
12	5800330515	SCREW M5x45 HEX.SOCK.H.C.(UNI 5931) GALV.	3
13	2100040015BKT	CONTROL BOX RAL 9006	1
14	5800530403	SCREW M4x30 CR.RE.FL.H.(UNI 7688) GAL.	4
15	5802630008	KEY 6x6x32 (UNI 6604)	1
16	2100030160BB	MOTOR DRILLED CAP BLUE RAL 5013	1
17	2600030039	LIGHT FAN FOR MOTOR COOLING	1
18	5100030675	NUT M10 SM45/2	1
19	5100040675	DRIVE BELT TIGHTENING SCREW M10x70	1
20	5100031056	CHANGE OVER SWITCH	1
21	5800230402	SCREW M4x10 (UNI 7687) GALVANIZED	2
22	7200030038	HOUR METER WITH DATA & INFO	1
23	5802233002	INT.SERR.LOCK WASHER D5 (DIN 6798/J)	3
24	5100030620	ALUMINIUM BLIND RIVET ø2.4x6	4
25	ASO996109	TRANSPARENT FILM 70x35	1
26	ASO996102	THERMAL TRANSFER LABEL 70x35 SILVER	1
27	5100031336	NEUTRAL MOTOR PLATE	1
28	5100030047	CONTACTOR BF16-10	1
29	5802232001	INT.SERR.LOCK WASHER M4 ø4.3 (6798J)	2
30	ASO928060	RUBBER PROFILE ø6mm	1
31	5802233002	INT.SERR.LOCK WASHER D5 (DIN 6798/J)	3
32	5100030699	CAPACITOR 100µF 400V	1
33	5100030691	CAPACITOR 50µF 550V DIAM.55mm	1
34	5100030700	CAPACITOR 31.5µF	1
35	5801531002	CONE P.GRUB SCREW M5x10 (UNI 5927)	1
36	5803733006	SPRING PIN ø3x24 (DIN 1481)	1
37	5100040785	THREADED CONICAL WASHER	1
38	5100030668	SPRING INTERNAL ø10.6 LLA107	1
39	5100040665	MOTOR SLEEVE	1
40	5100030668	SPRING INTERNAL ø10.6 LLA107	1
41	5100040667	MOTOR CONICAL WASHER	1
42	5299940780	HANDGRIP WITH MOTOR TIE ROD	1
43	2100030162BB	MOTOR UNDRILLED CAP BLUE RAL 5013	1
44	5800530403	SCREW M4x30 CR.RE.FL.H.(UNI 7688) GAL.	4
45	5802830001	SPLIT PIN ø1.5 L.20 (UNI 1336)	1
46	5100030014	MOTOR TIE ROD	1
47	5100030083	HANDWHEEL VCT.50 B-M8	1
48	2000030119	MALE BUTTONS (PAIR)-BUX	1
49	5801030019	SCREW 3.5x9.5 UNI 6954 SELF TAPPING	2



**KUNZLE & TASIN**  
 Via CAJKOVSKIJ 14-20092-CINISELLO BALSAMO (MI)  
 TEL. 02/66040930 FAX 02/66013445

# Belt UX

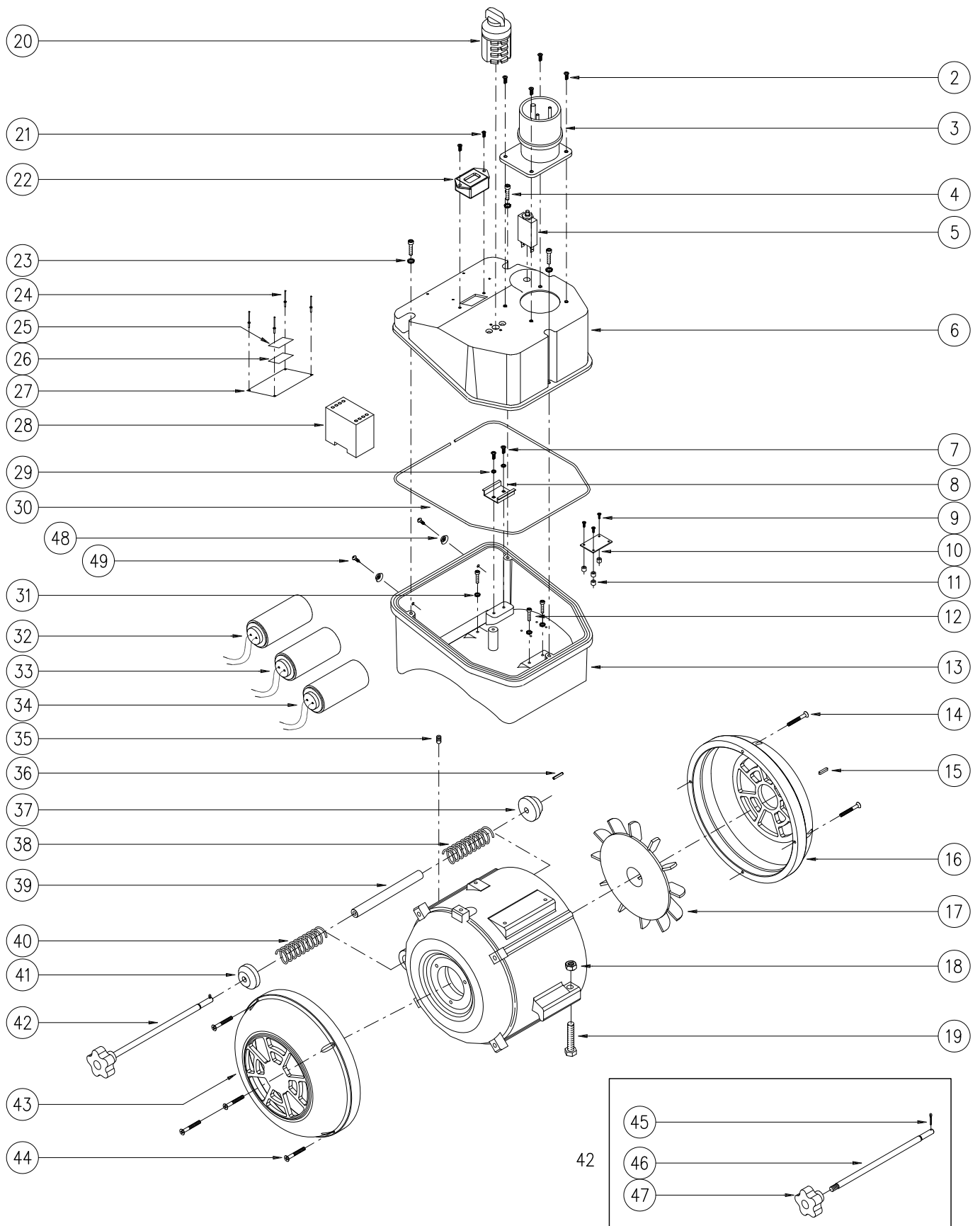
KT-BONA

PAGE 10/15

JANUARY 2021

1

COMPLETE MOTOR 3,7KW 230V/50Hz



**KUNZLE & TASIN**  
Via CAJKOVSKIJ 14-20092-CINISELLO BALSAMO (MI)  
TEL. 02/66040930 FAX 02/66013445

**Belt UX**

KT-BONA  
PAGE 11/15  
JANUARY 2021

## SPARE PARTS PAGE 11 of 15

ITEM	PART NUMBER	DESCRIPTION	Q.TY
1	2099940245BKT	COMPLETE MOTOR 3.7KW 230V/50HZ	1
2	5800230502	SCREW M5x12 CRPH (UNI 7687) (DIN 7985) GAL.	4
3	5100030656	NEW FIXED PLUG CE 32A 2P+G	1
4	5800330505	SCREW M5x20 (UNI 5931)	3
5	5299940097	20A THERM.BREAKER+CAP+LABEL+NUT KIT	1
6	2000040054BKT	CONTROL BOX COVER RAL 9006	1
7	5800230402	SCREW M4x10 (UNI 7687) GALVANIZED	2
8	2100040003	CONTACTOR PLATE	1
9	5800230305	SCREW M3x20 CR.RE.PA.HE.(UNI 7687) GALV.	3
10	2000030112	VOLTMETER BOARD	1
11	7200030018	PRINTED CIRCUIT BOARD SPACER	4
12	5800330515	SCREW M5x45 HEX.SOCK.H.C.(UNI 5931) GALV.	3
13	2100040015BKT	CONTROL BOX RAL 9006	1
14	5800530403	SCREW M4x30 CR.RE.FL.H.(UNI 7688) GAL.	4
15	5802630008	KEY 6x6x32 (UNI 6604)	1
16	2100030160BB	MOTOR DRILLED CAP BLUE RAL 5013	1
17	2600030039	LIGHT FAN FOR MOTOR COOLING	1
18	5100030675	NUT M10 SM45/2	1
19	5100040675	DRIVE BELT TIGHTENING SCREW M10x70	1
20	5100031056	CHANGE OVER SWITCH	1
21	5800230402	SCREW M4x10 (UNI 7687) GALVANIZED	2
22	7200030038	HOUR METER WITH DATA & INFO	1
23	5802233002	INT.SERR.LOCK WASHER D5 (DIN 6798/J)	3
24	5100030620	ALUMINIUM BLIND RIVET ø2.4x6	4
25	ASO996109	TRANSPARENT FILM 70x35	1
26	ASO996102	THERMAL TRANSFER LABEL 70x35 SILVER	1
27	5100031336	NEUTRAL MOTOR PLATE	1
28	5100030047	CONTACTOR BF16-10	1
29	5802232001	INT.SERR.LOCK WASHER M4 ø4.3 (6798J)	2
30	ASO928060	RUBBER PROFILE ø6mm	1
31	5802233002	INT.SERR.LOCK WASHER D5 (DIN 6798/J)	3
32	5100030699	CAPACITOR 100µF 400V	1
33	5100030691	CAPACITOR 50µF 550V DIAM.55mm	1
34	2800030051	CAPACITOR 60µF	1
35	5801531002	CONE P.GRUB SCREW M5x10 (UNI 5927)	1
36	5803733006	SPRING PIN ø3x24 (DIN 1481)	1
37	5100040785	THREADED CONICAL WASHER	1
38	5100030668	SPRING INTERNAL ø10.6 LLA107	1
39	5100040665	MOTOR SLEEVE	1
40	5100030668	SPRING INTERNAL ø10.6 LLA107	1
41	5100040667	MOTOR CONICAL WASHER	1
42	5299940780	HANDGRIP WITH MOTOR TIE ROD	1
43	2100030162BB	MOTOR UNDRILLED CAP BLUE RAL 5013	1
44	5800530403	SCREW M4x30 CR.RE.FL.H.(UNI 7688) GAL.	4
45	5802830001	SPLIT PIN ø1.5 L.20 (UNI 1336)	1
46	5100030014	MOTOR TIE ROD	1
47	5100030083	HANDWHEEL VCT.50 B-M8	1
48	2000030119	MALE BUTTONS (PAIR)-BUX	1
49	5801030019	SCREW 3.5x9.5 UNI 6954 SELF TAPPING	2



**KUNZLE & TASIN**  
 Via CAJKOVSKIJ 14-20092-CINISELLO BALSAMO (MI)  
 TEL. 02/66040930 FAX 02/66013445

# Belt UX

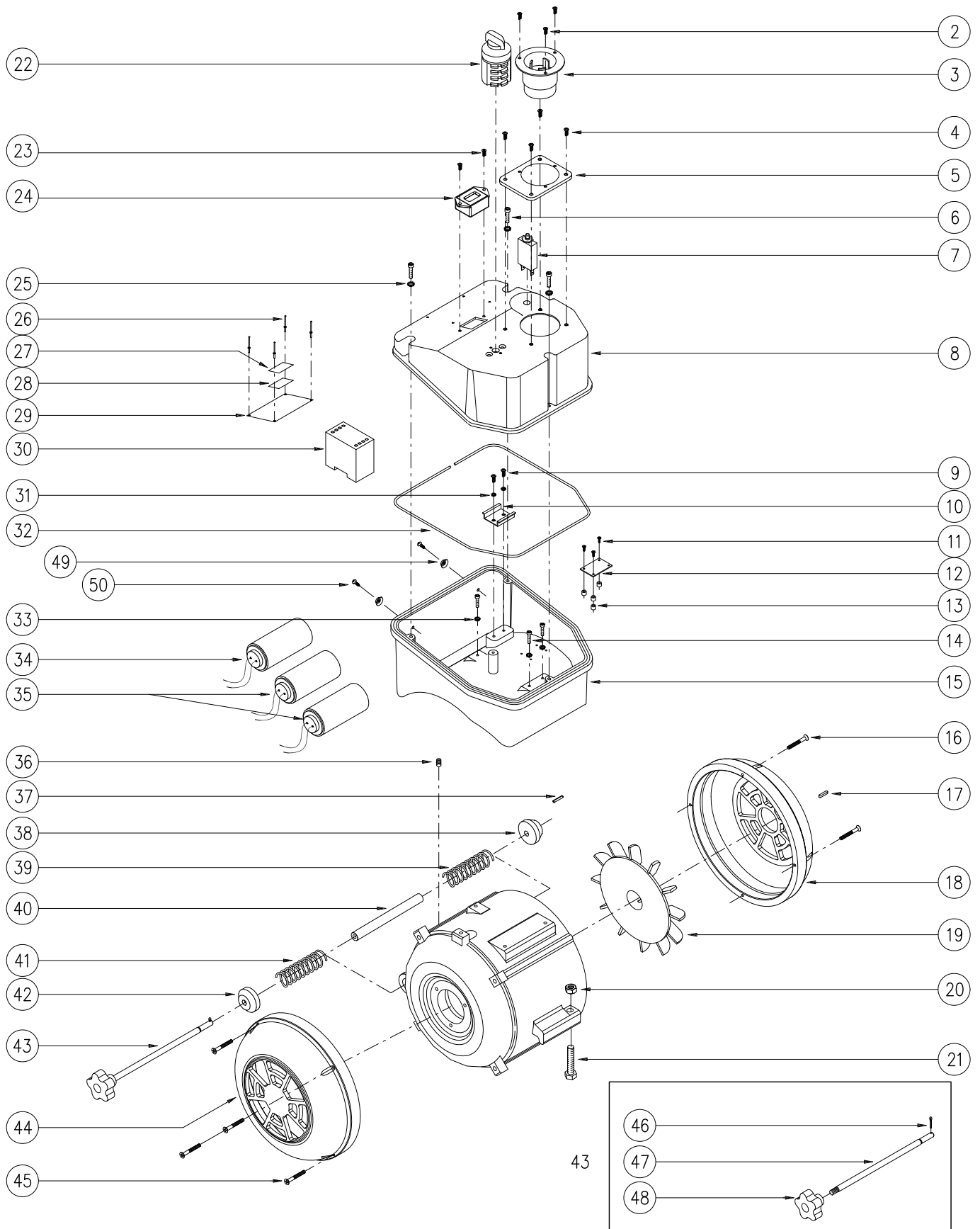
KT-BONA

PAGE 11/15

JANUARY 2021

1

COMPLETE MOTOR 3KW 220V/60Hz



**KUNZLE & TASIN**  
Via CAJKOVSKIJ 14-20092-CINISELLO BALSAMO (MI)  
TEL. 02/66040930 FAX 02/66013445

**Belt UX**

KT-BONA

PAGE 12/15

JANUARY 2021

## SPARE PARTS PAGE 12 of 15

ITEM	PART NUMBER	DESCRIPTION	Q.TY
1	2099940246BKT	COMPLETE MOTOR 3KW 220V/60HZ	1
2	5800230401	SCREW M4x8 CRPH (UNI 7687) (DIN 7985) GAL.	3
3	2100030016	FLANGED PLUG 250V-30A FOR CABLE	1
4	5800530501	SCREW M5x12 (UNI 7688) GALVANIZED	4
5	2100030013	TWIST LOCK PLUG NEW ADAPTING PLATE	1
6	5800330505	SCREW M5x20 (UNI 5931)	3
7	5299940097	20A THERM.BREAKER+CAP+LABEL+NUT KIT	1
8	2000040054BKT	CONTROL BOX COVER RAL 9006	1
9	5800230402	SCREW M4x10 (UNI 7687) GALVANIZED	2
10	2100040003	CONTACTOR PLATE	1
11	5800230305	SCREW M3x20 CR.RE.PA.HE.(UNI 7687) GALV.	3
12	2000030112	VOLTMETER BOARD	1
13	7200030018	PRINTED CIRCUIT BOARD SPACER	4
14	5800330515	SCREW M5x45 HEX.SOCK.H.C.(UNI 5931) GALV.	3
15	2100040015BKT	CONTROL BOX RAL 9006	1
16	5800530403	SCREW M4x30 CR.RE.FL.H.(UNI 7688) GAL.	4
17	5802630008	KEY 6x6x32 (UNI 6604)	1
18	2100030160BB	MOTOR DRILLED CAP BLUE RAL 5013	1
19	2600030039	LIGHT FAN FOR MOTOR COOLING	1
20	5100030675	NUT M10 SM45/2	1
21	5100040675	DRIVE BELT TIGHTENING SCREW M10x70	1
22	5100031056	CHANGE OVER SWITCH	1
23	5800230402	SCREW M4x10 (UNI 7687) GALVANIZED	2
24	7200030038	HOUR METER WITH DATA & INFO	1
25	5802233002	INT.SERR.LOCK WASHER D5 (DIN 6798/J)	3
26	5100030620	ALUMINIUM BLIND RIVET $\varnothing$ 2.4x6	4
27	ASO996109	TRANSPARENT FILM 70x35	1
28	ASO996102	THERMAL TRANSFER LABEL 70x35 SILVER	1
29	5100031336	NEUTRAL MOTOR PLATE	1
30	5100030047	CONTACTOR BF16-10	1
31	5802232001	INT.SERR.LOCK WASHER M4 $\varnothing$ 4.3 (6798J)	2
32	ASO928060	RUBBER PROFILE $\varnothing$ 6mm	1
33	5802233002	INT.SERR.LOCK WASHER D5 (DIN 6798/J)	3
34	5100030699	CAPACITOR 100 $\mu$ F 400V	1
35	5100030691	CAPACITOR 50 $\mu$ F 550V DIAM.55mm	2
36	5801531002	CONE P.GRUB SCREW M5x10 (UNI 5927)	1
37	5803733006	SPRING PIN $\varnothing$ 3x24 (DIN 1481)	1
38	5100040785	THREADED CONICAL WASHER	1
39	5100030668	SPRING INTERNAL $\varnothing$ 10.6 LLA107	1
40	5100040665	MOTOR SLEEVE	1
41	5100030668	SPRING INTERNAL $\varnothing$ 10.6 LLA107	1
42	5100040667	MOTOR CONICAL WASHER	1
43	5299940780	HANDGRIP WITH MOTOR TIE ROD	1
44	2100030162BB	MOTOR UNDRILLED CAP BLUE RAL 5013	1
45	5800530403	SCREW M4x30 CR.RE.FL.H.(UNI 7688) GAL.	4
46	5802830001	SPLIT PIN $\varnothing$ 1.5 L.20 (UNI 1336)	1
47	5100030014	MOTOR TIE ROD	1
48	5100030083	HANDWHEEL VCT.50 B-M8	1
49	2000030119	MALE BUTTONS (PAIR)-BUX	1
50	5801030019	SCREW 3.5x9.5 UNI 6954 SELF TAPPING	2



**KUNZLE & TASIN**  
Via CAJKOVSKIJ 14-20092-CINISELLO BALSAMO (MI)  
TEL. 02/66040930 FAX 02/66013445

# Belt UX

KT-BONA

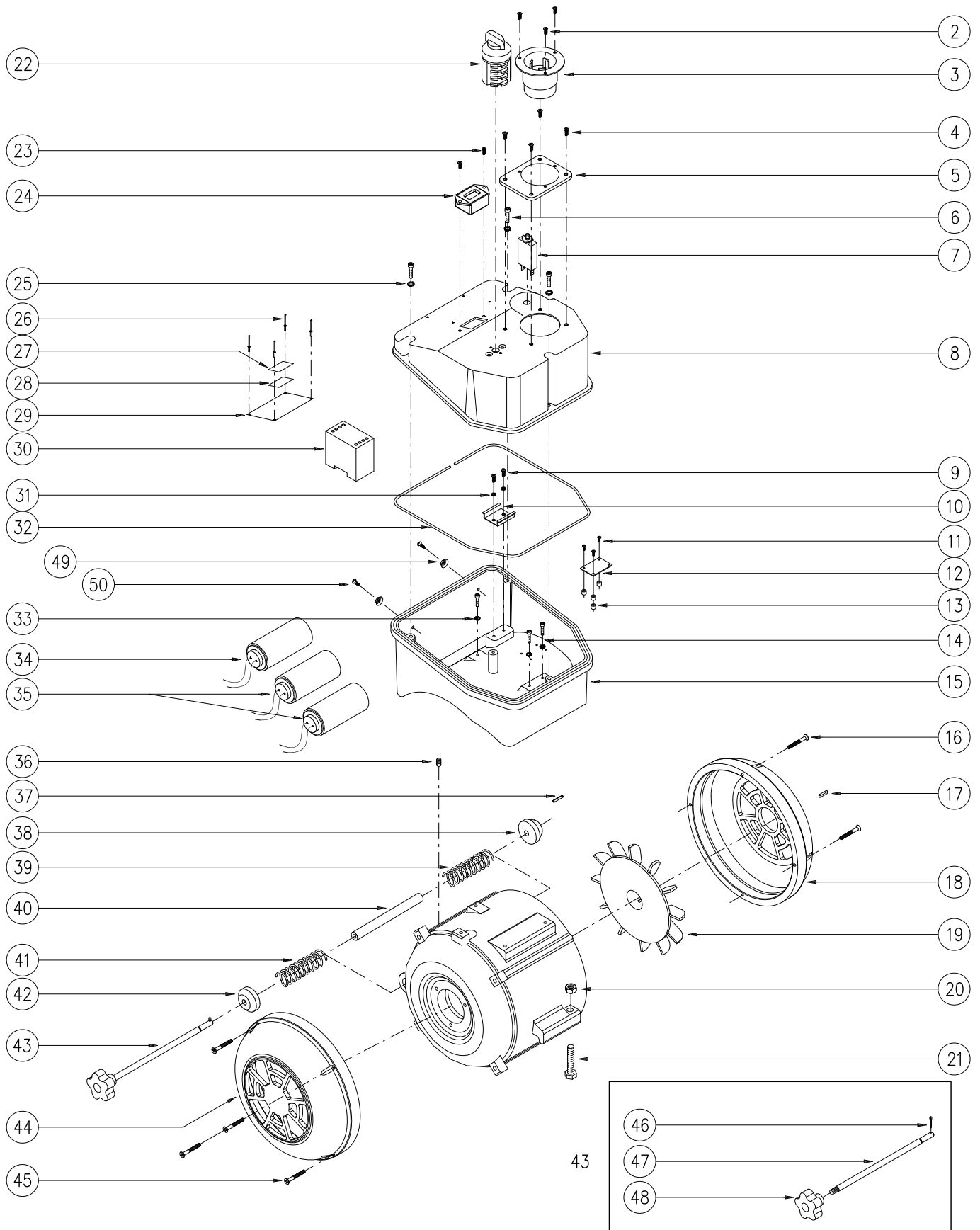
PAGE 12/15

JANUARY 2021



1

COMPLETE MOTOR 3,7KW 220V/60Hz



**KUNZLE & TASIN**  
Via CAJKOVSKIJ 14-20092-CINISELLO BALSAMO (MI)  
TEL. 02/66040930 FAX 02/66013445

**Belt UX**

KT-BONA  
PAGE 13/15  
JANUARY 2021

## SPARE PARTS PAGE 13 of 15

ITEM	PART NUMBER	DESCRIPTION	Q.TY
1	2099940249BKT	COMPLETE MOTOR 3.7KW 220V/60HZ	1
2	5800230401	SCREW M4x8 CRPH (UNI 7687) (DIN 7985) GAL.	3
3	2100030016	FLANGED PLUG 250V-30A FOR CABLE	1
4	5800530501	SCREW M5x12 (UNI 7688) GALVANIZED	4
5	2100030013	TWIST LOCK PLUG NEW ADAPTING PLATE	1
6	5800330505	SCREW M5x20 (UNI 5931)	3
7	5299940097	20A THERM.BREAKER+CAP+LABEL+NUT KIT	1
8	2000040054BKT	CONTROL BOX COVER RAL 9006	1
9	5800230402	SCREW M4x10 (UNI 7687) GALVANIZED	2
10	2100040003	CONTACTOR PLATE	1
11	5800230305	SCREW M3x20 CR.RE.PA.HE.(UNI 7687) GALV.	3
12	2000030112	VOLTMETER BOARD	1
13	7200030018	PRINTED CIRCUIT BOARD SPACER	4
14	5800330515	SCREW M5x45 HEX.SOCK.H.C.(UNI 5931) GALV.	3
15	2100040015BKT	CONTROL BOX RAL 9006	1
16	5800530403	SCREW M4x30 CR.RE.FL.H.(UNI 7688) GAL.	4
17	5802630008	KEY 6x6x32 (UNI 6604)	1
18	2100030160BB	MOTOR DRILLED CAP BLUE RAL 5013	1
19	2600030039	LIGHT FAN FOR MOTOR COOLING	1
20	5100030675	NUT M10 SM45/2	1
21	5100040675	DRIVE BELT TIGHTENING SCREW M10x70	1
22	5100031056	CHANGE OVER SWITCH	1
23	5800230402	SCREW M4x10 (UNI 7687) GALVANIZED	2
24	7200030038	HOUR METER WITH DATA & INFO	1
25	5802233002	INT.SERR.LOCK WASHER D5 (DIN 6798/J)	3
26	5100030620	ALUMINIUM BLIND RIVET ø2.4x6	4
27	ASO996109	TRANSPARENT FILM 70x35	1
28	ASO996102	THERMAL TRANSFER LABEL 70x35 SILVER	1
29	5100031336	NEUTRAL MOTOR PLATE	1
30	5100030047	CONTACTOR BF16-10	1
31	5802232001	INT.SERR.LOCK WASHER M4 ø4.3 (6798J)	2
32	ASO928060	RUBBER PROFILE ø6mm	1
33	5802233002	INT.SERR.LOCK WASHER D5 (DIN 6798/J)	3
34	5100030699	CAPACITOR 100µF 400V	1
35	5100030691	CAPACITOR 50µF 550V DIAM.55mm	2
36	5801531002	CONE P.GRUB SCREW M5x10 (UNI 5927)	1
37	5803733006	SPRING PIN ø3x24 (DIN 1481)	1
38	5100040785	THREADED CONICAL WASHER	1
39	5100030668	SPRING INTERNAL ø10.6 LLA107	1
40	5100040665	MOTOR SLEEVE	1
41	5100030668	SPRING INTERNAL ø10.6 LLA107	1
42	5100040667	MOTOR CONICAL WASHER	1
43	5299940780	HANDGRIP WITH MOTOR TIE ROD	1
44	2100030162BB	MOTOR UNDRILLED CAP BLUE RAL 5013	1
45	5800530403	SCREW M4x30 CR.RE.FL.H.(UNI 7688) GAL.	4
46	5802830001	SPLIT PIN ø1.5 L.20 (UNI 1336)	1
47	5100030014	MOTOR TIE ROD	1
48	5100030083	HANDWHEEL VCT.50 B-M8	1
49	2000030119	MALE BUTTONS (PAIR)-BUX	1
50	5801030019	SCREW 3.5x9.5 UNI 6954 SELF TAPPING	2



**KUNZLE & TASIN**  
 Via CAJKOVSKIJ 14-20092-CINISELLO BALSAMO (MI)  
 TEL. 02/66040930 FAX 02/66013445

# Belt UX

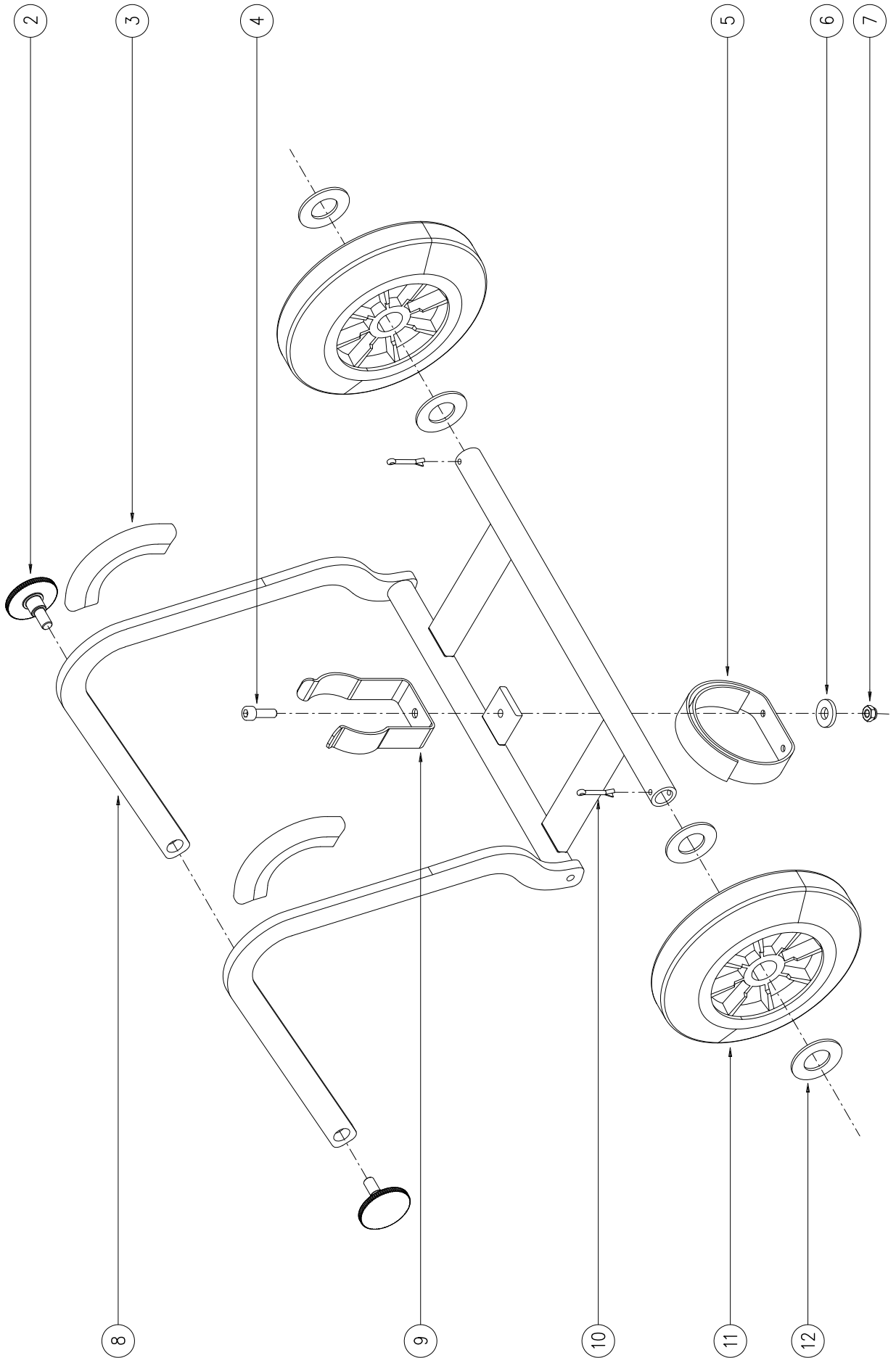
KT-BONA

PAGE 13/15

JANUARY 2021

1

TROLLEY



**KUNZLE & TASIN**  
Via CAJKOVSKIJ 14-20092-CINISELLO BALSAMO (MI)  
TEL. 02/66040930 FAX 02/66013445

**Belt UX**

KT-BONA

PAGE 14/15

JANUARY 2021

**SPARE PARTS PAGE 14 of 15**

<b>ITEM</b>	<b>PART NUMBER</b>	<b>DESCRIPTION</b>	<b>Q.TY</b>
1	6999940005	TROLLEY FOR CAPRICORN/BELT HD/BELT UX	1
2	ASO995121	LOCKING HANDGRIP	2
3	ASO995125	POLYURETHANE FLOOR PROTECTION	2
4	5800330605	SCREW M6x22 (UNI 5931)	1
5	ASO316020	VELCRO LOCK STRIP 400x20	1
6	5100030244	WASHER ø8.5x20 TH.3 GALVANIZED	1
7	5801936001	NUT M6 LOW SELF-LOCKING (DIN 985)	1
8	6900030005	TROLLEY FRAME CAPRIC/BELT HD/BELT UX	1
9	6900030007GO	TROLL.RUBB.SPRING CLIP	1
10	5802730004	SPLIT PIN ø1.5 L.20 (UNI 1336)	2
11	ASO995123	WHEEL ø160mm FOR TROLLEY	2
12	5802230010	SHIM RING ø21x37x3	2



**KUNZLE & TASIN**  
Via CAJKOVSKIJ 14-20092-CINISELLO BALSAMO (MI)  
TEL. 02/66040930 FAX 02/66013445

**Belt UX**

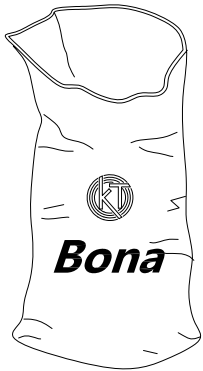
KT-BONA

PAGE 14/15

JANUARY 2021

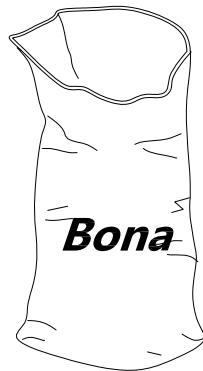
1

EU DUST BAG



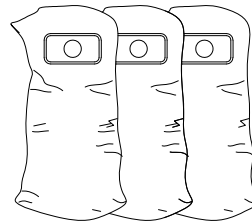
2

USA DUST BAG



18

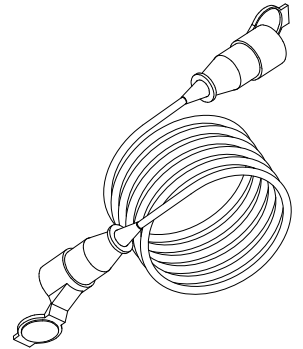
3 PAPER DUST BAG BLISTER



EXTRA ITEM

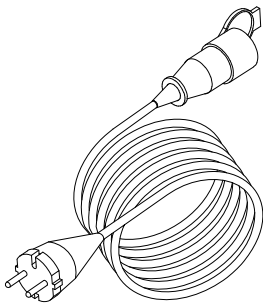
3

10 MT POWER CABLE EU 32A  
FOR 3KW



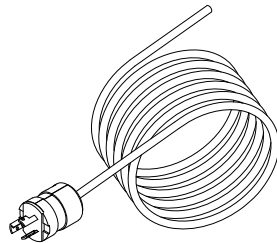
4

10 MT POWER CABLE EU 16A  
FOR 2,2KW



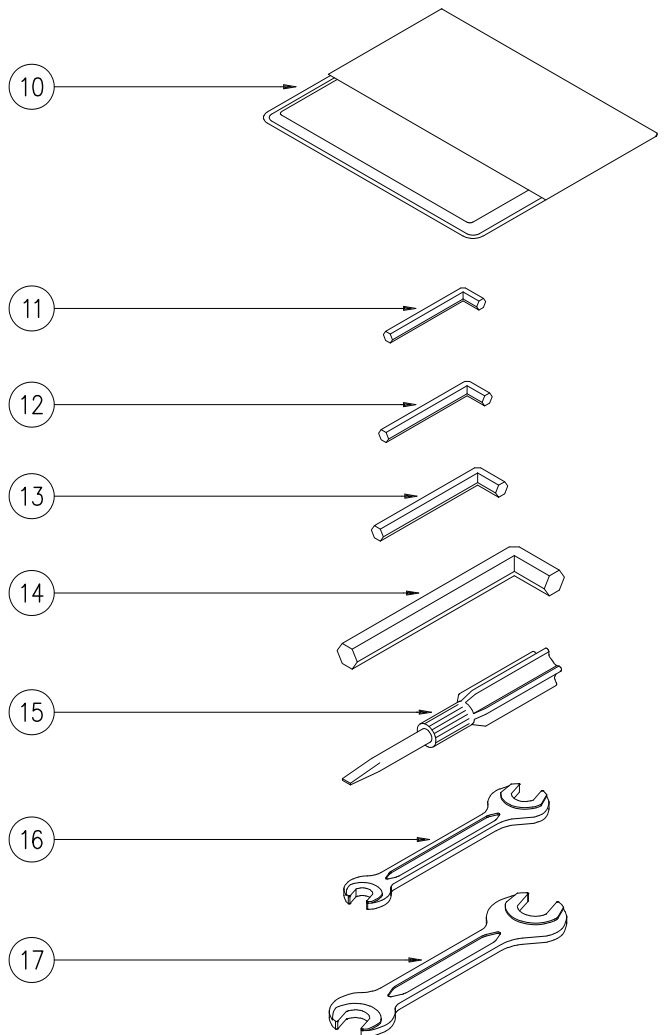
5

15 MT POWER CABLE USA  
220V/60Hz



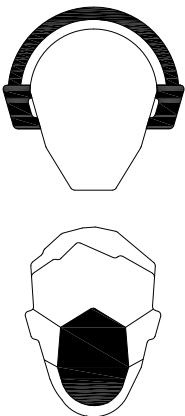
9

TOOL BAG



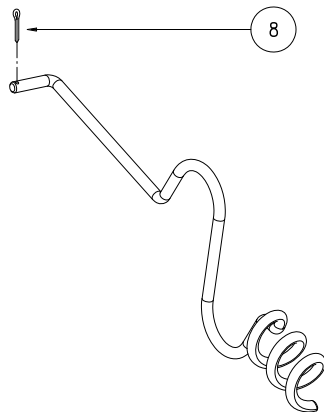
6

FACE MASK + EAR CAPS



7

CABLE AND DUST PIPE HOLDER



**KUNZLE & TASIN**  
Via CAJKOVSKIJ 14-20092-CINISELLO BALSAMO (MI)  
TEL. 02/66040930 FAX 02/66013445

**Belt UX**

KT-BONA

PAGE 15/15

JANUARY 2021

**SPARE PARTS PAGE 15 of 15**

<b>ITEM</b>	<b>PART NUMBER</b>	<b>DESCRIPTION</b>	<b>Q.TY</b>
1	ASO991000	BIG DUST BAG WITHOUT ZIP-EU	1
2	ASO991001	BIG DUST BAG WITH ZIP-USA	1
3	5100031282	EXT.LEAD 10M 3X2.5 SOCK./PL.CE 32A	1
4	ASO904014	CABLE EXTENSION 3X2.5 10M 1PH.	1
5	ASO904015	CABLE EXTENSION 1PH 3XAWG 15MT USA	1
6	ASO991232	FACE MASK-EAR CAPS	1
7	2000030120	CABLE HOLDER F/REM.SUCT.PIPE	1
8	5802830001	SPLIT PIN $\varnothing$ 1.5 L.20 (UNI 1336)	1
9	2099940052	TOOL BAG	1
10	5100030920	VELCRO CANVAS TOOL BAG	1
11	ASO990604	ALLEN KEY N.4 GALVANIZED	1
12	0200030299	ALLEN KEY N.5 GALVANIZED	1
13	5100031085	ALLEN KEY N.6 GALVANIZED	1
14	5100040150	ALLEN KEY N.12 130x20 GALVANIZED	1
15	5100030145	DOUBLE ENDED SCREWDRIVER	1
16	5100031021	SPANNER 10/13 GALVANIZED	1
17	5100030147	SPANNER 14/17	1
18	2900030142	N.3 PAPER DUST BAGS PACK	1



**KUNZLE & TASIN**  
Via CAJKOVSKIJ 14-20092-CINISELLO BALSAMO (MI)  
TEL. 02/66040930 FAX 02/66013445

**Belt UX**

KT-BONA

PAGE 15/15

JANUARY 2021