



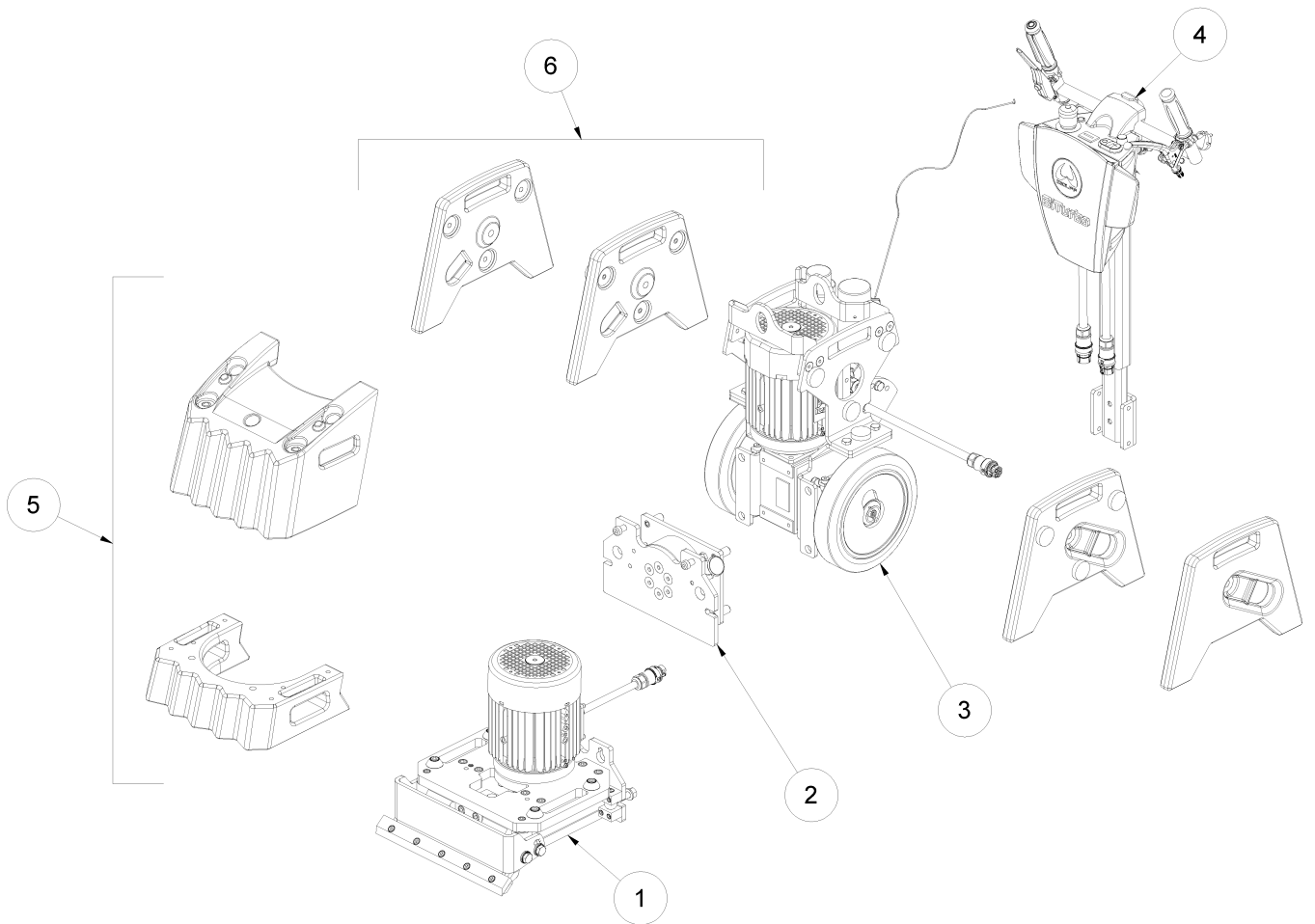
spare parts list BiTurbo 230V EU



Table of contents

1 BiTurbo EU (N001/2019 - 0623-10/2023)	3
1 Impact	5
1 Motor Impact system 1,5kW 230V BiTurbo	7
5 Swinger complete BiTurbo	9
6 Sleeve complete BiTurbo	11
23 BG Excenter Shaft BiTurbo	13
2 Swivel joint	15
3 Drive unit until 0356_09_2021	17
4 Drive wheel complete Ø250 BiTurbo	20
23 Tooth coupling complete BiTurbo	22
3 Drive unit from 0357_09_2021	24
4 Drive wheel complete Ø250 BiTurbo	27
23 Tooth coupling complete BiTurbo	29
4 Handle	31
45 Handle complete BiTurbo	35
46 Backstop complete BiTurbo	37
80 Cable support compl. BiTurbo	39
5 Front weights	41
6 Rear weights	43
7 Circuit diagram	45
8 Tool kit	47
9 Accessories	49
23 Carrying aid BiTurbo	50
2 BiTurbo EU (0624-10/2023 - heute)	52
1 Impact	54
1 Motor Impact system 1,5kW 230V BiTurbo	56
5 Swinger complete BiTurbo	58
6 Sleeve complete BiTurbo	60
23 BG Excenter Shaft BiTurbo	62
2 Swivel joint	64
3 Drive unit	66
4 Drive wheel complete Ø250 BiTurbo	69
23 Tooth coupling complete BiTurbo	71
4 Handle	73
35 Handle complete BiTurbo	76
36 Backstop complete BiTurbo	78
49 Cable support compl. BiTurbo	80
5 Front weights	82
6 Rear weights	84
7 Circuit diagram	86
8 Tool kit	88
9 Accessories	90
23 Carrying aid BiTurbo	91

1 BiTurbo EU (N001/2019 - 0623-10/2023)



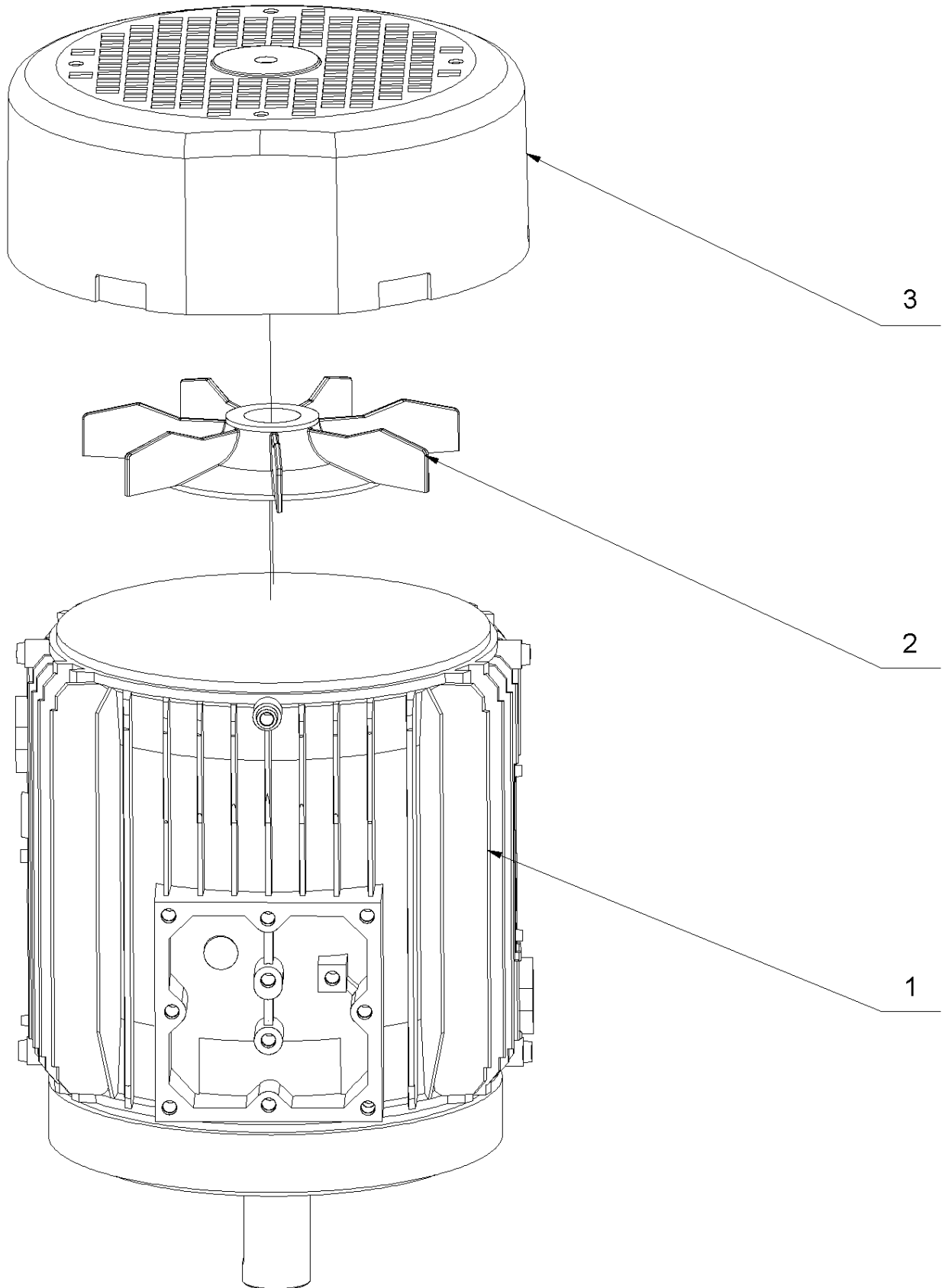
1 BiTurbo EU (N001/2019 - 0623-10/2023)

Item no.	Article no.	Description
1	01_01_087756	Impact
2	01_02_087747	Swivel joint
3	01_03_087790	Drive unit until 0356_09_2021
3	02_03_087790	Drive unit from 0357_09_2021
4	01_04_087797	Handle
5	01_05_085000	Front weights
6	01_06_085000	Rear weights
7	01_07_085000	Circuit diagram
8	01_08_087953	Tool kit
9	01_09_085000	Accessories

1 Impact

Item no.	Article no.	Description	Quantity
1	087729	Motor Impact system 1,5kW 230V BiTurbo	1
2	087648	Frame plate top BiTurbo	1
3	087651	Frame plate below BiTurbo	1
4	087622	Mounting plate Impact BiTurbo	1
5	088986	Swinger complete BiTurbo	1
6	087755	Sleeve complete BiTurbo	2
7	087758	Cable glandSR-M 20x1,5/KB13-15mm	1
8	088519	Cover Terminal box BiTurbo	1
9	018264	Cylinder head screw M 6x35 DIN 912	8
10	014861	Washer M10	31
11	018301	Cylinder head screw M10x20 DIN 912	20
12	077748	Rubber stop Ø40x30-M8	2
13	014860	Schnorr Washer M8	6
14	014740	Cylinder head screw M10x16 DIN 912 10.9	9
15	014735	Cylinder head screw M8x25 DIN 912	4
16	087935	Cylindrical pin 10x26 DIN 7979	2
17	087680	Cone for additional weight BiTurbo	6
18	073954	Countersunk screw M16x30 DIN 7991 10.9	4
19	087770	Eye screw M12x55 DIN 444	2
20	014859	Schnorr washer M6	8
21	087708	Bearing bock bolt BiTurbo	4
22	017549	Zylinder head screw M10x50 DIN 912	4
23	087745	BG Excenter Shaft BiTurbo	1
24	014734	Cylinder head screw M8x20 DIN 912	2
25	087771	Cylindrical pin 12x60 DIN 7979	2
26	017553	Lens head screw M6x12	2
27	017610	Cylinder head screw M5x16 DIN 912	4
28	014858	Schnorr washer M5	4
29	018663	Hexagon nut M12 DIN 934	2
30	014830	Washer M12 DIN 125 A	2
31	079862	safety washer M10	2
32	088886	Control cable impact motor BiTurbo	1

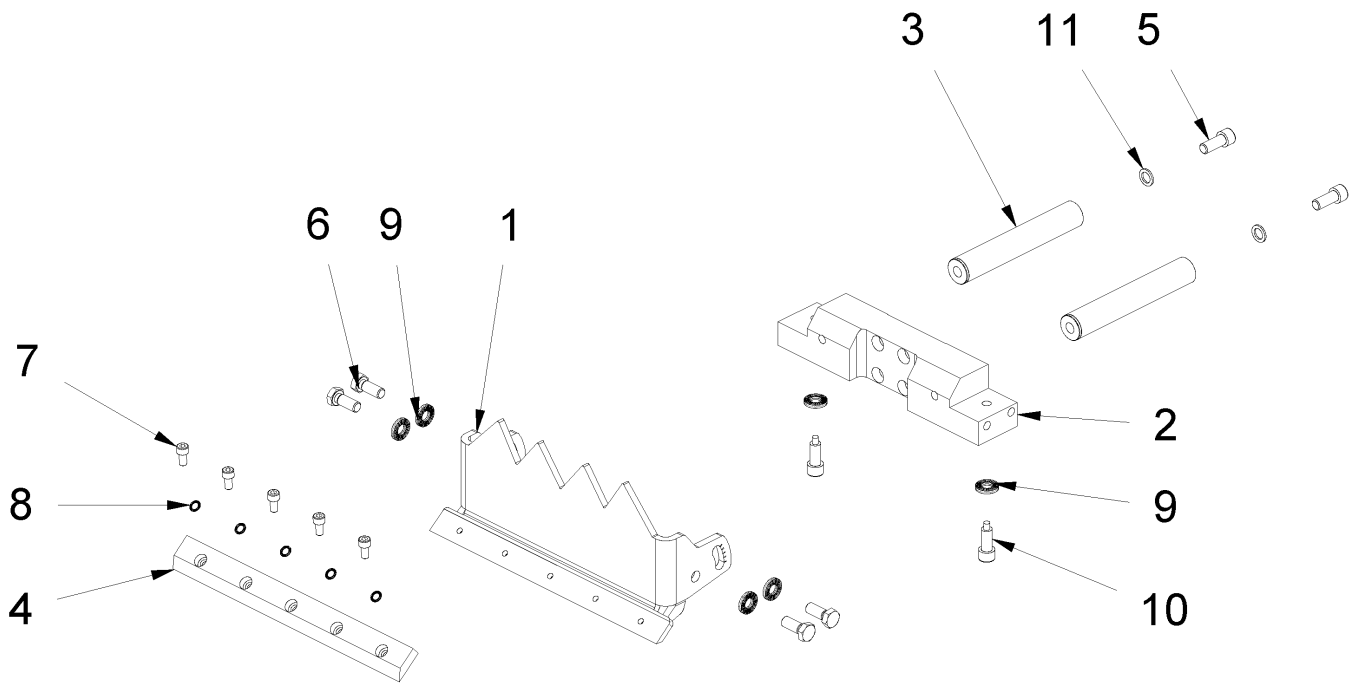
1 Motor Impact system 1,5kW 230V BiTurbo



1 Motor Impact system 1,5kW 230V BiTurbo

Item no.	Article no.	Description	Quantity
1			1
2	174120	Fan wheel impact motor BiTurbo	1
3	172784	Fan hood engine BiTurbo	1

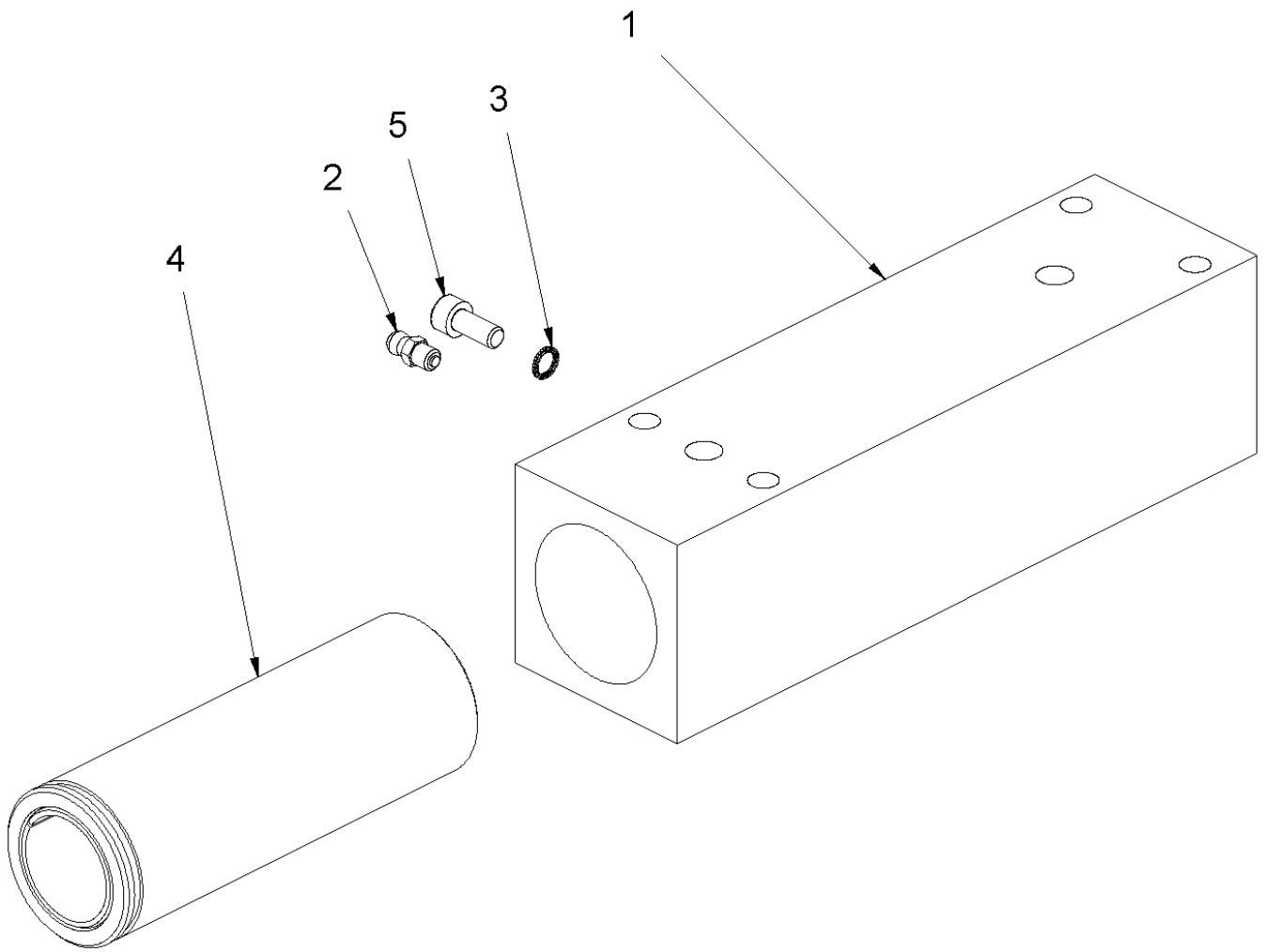
5 Swinger complete BiTurbo



5 Swinger complete BiTurbo

Item no.	Article no.	Description	Quantity
1	087640	Swing arm BiTurbo	1
2	087675	Adjustable oscillator BiTurbo	1
3	015132	Guide sleeve round Turbo/Bau	2
4	087693	Blade holder BiTurbo	1
5	014744	Cylinder head screw M12x30 DIN 912	2
6	014780	Hexagon head screw M12x 30 DIN 933	4
7	017651	Cylinder head screw M8x16 DIN 912	5
8	014860	Schnorr Washer M8	5
9	087780	Safety washer M12 LL	6
10	087870	Special screw rubber buffer BiTurbo	2
11	014833	Washer 13 DIN 433	2

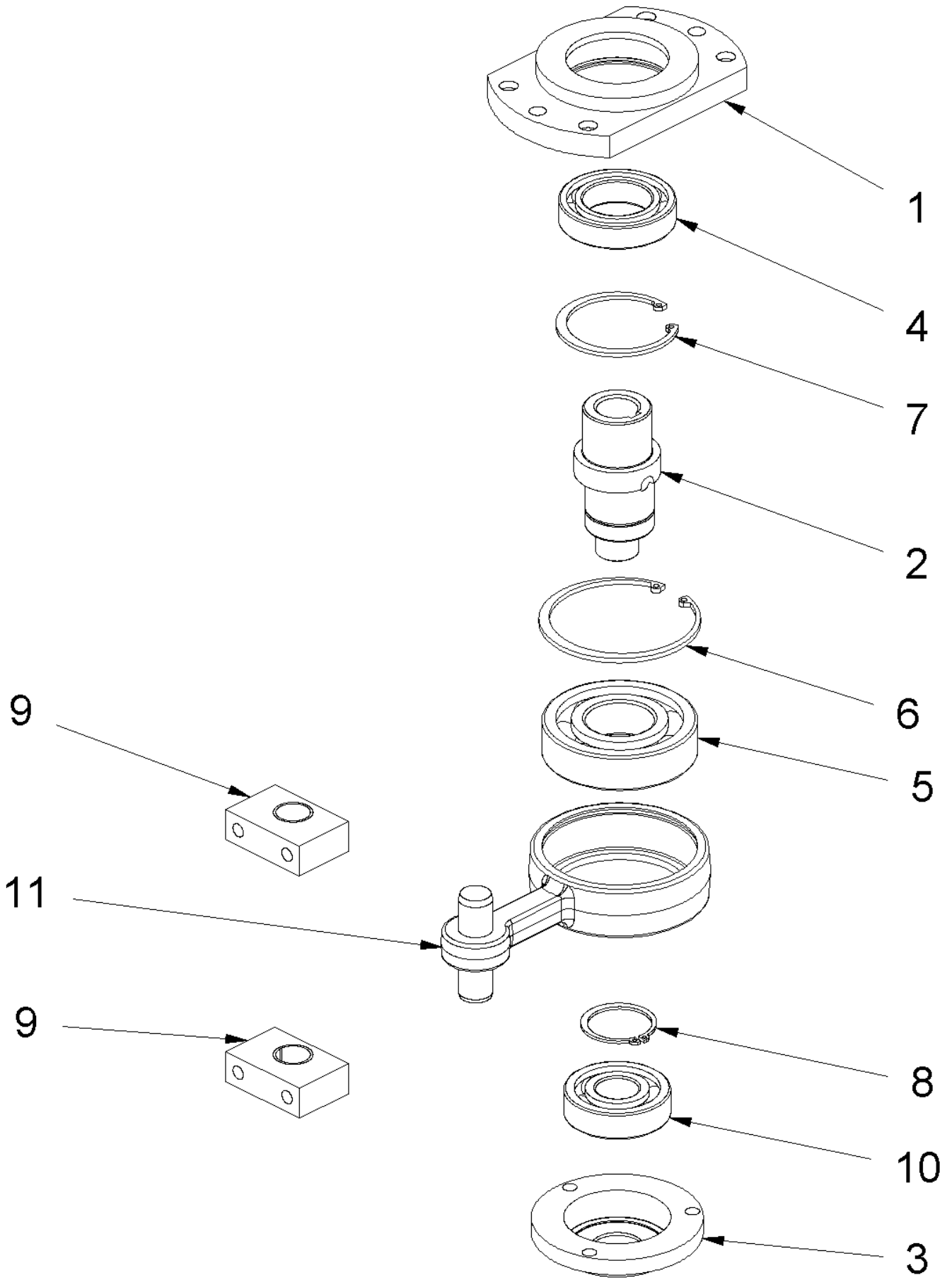
6 Sleeve complete BiTurbo



6 Sleeve complete BiTurbo

Item no.	Article no.	Description	Quantity
1	087679	Guide sleeve square BiTurbo	1
2	014914	Lubricating nippel H1 M6	1
3	014859	Schnorr washer M6	1
4	088501	Exchange sleeve BiTurbo	1
5	014727	Cylinder head screw M 6x14 DIN 912	1

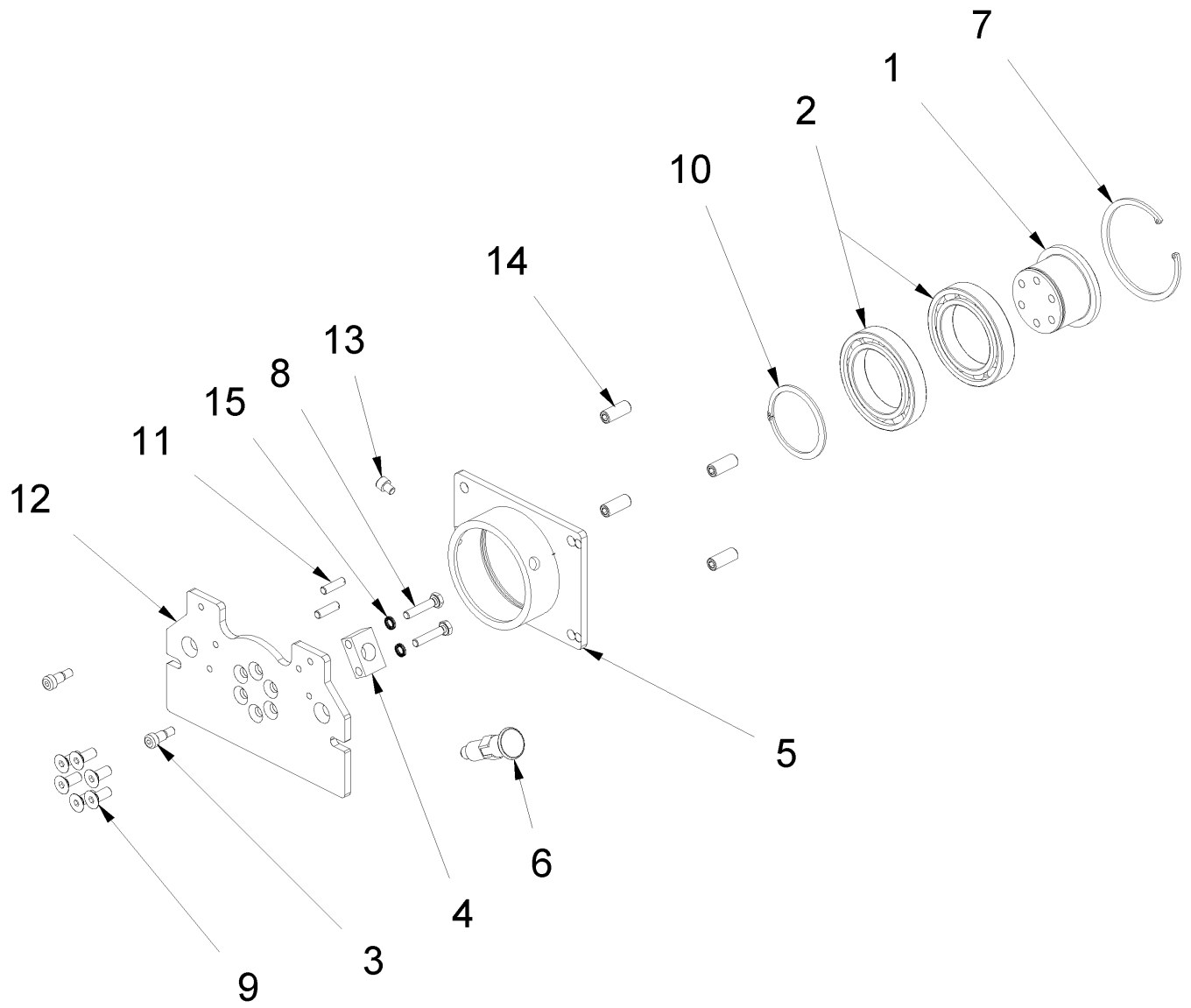
23 BG Excenter Shaft BiTurbo



23 BG Excenter Shaft BiTurbo

Item no.	Article no.	Description	Quantity
1	087695	Motor flange BiTurbo	1
2	087669	Excenter Shaft BiTurbo	1
3	087691	Bearing flange eccentric shaft BiTurbo	1
4	014706	Ball-bearing 6008 2RS1 C3	1
5	087781	Ball bearing 6308-2RS1/C3	1
6	087774	Circlip I90 DIN 472	1
7	073955	Safety washer I68DIN 472	1
8	087772	Looking ring A40 DIN 471	1
9	087728	Connecting rod bearing complete BiTurbo	2
10	014712	Ball bearing 6305	1
11	088610	Connecting rod BiTurbo	1

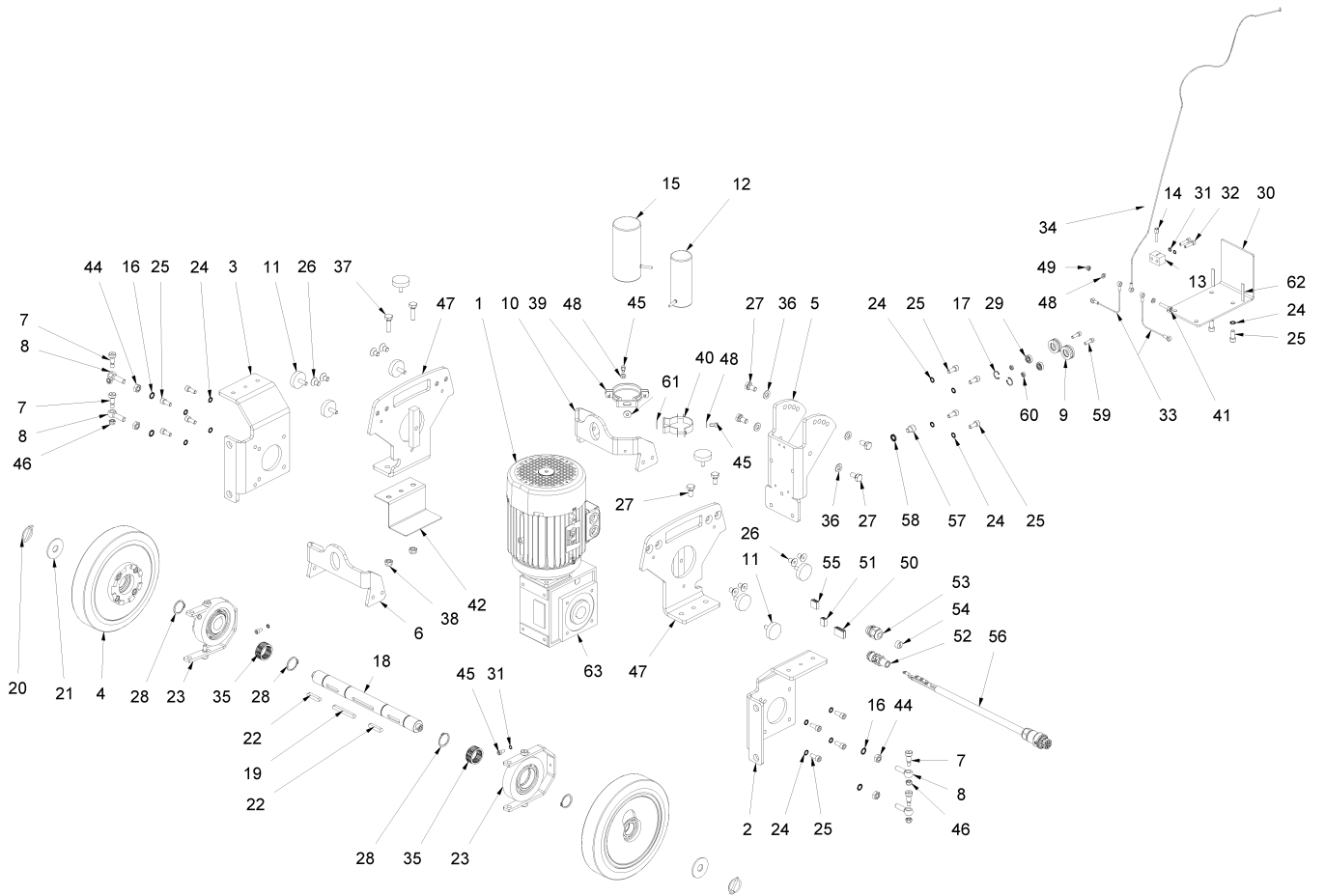
2 Swivel joint



2 Swivel joint

Item no.	Article no.	Description	Quantity
1	073869	Gear shaft Robo-Stripper	1
2	073793	Ball bearing 6017 2RS1	2
3	087779	Screw M10x16 DIN 7379	2
4	087707	Bearing bock locking bolt BiTurbo	1
5	087633	Sleeve swivel joint BiTurbo	1
6	072154	Locking pin size 5 Form C - M24x2 Ø16	1
7	087776	Circlip I130 DIN 472	1
8	175610	Hexagonal screw M 10x50 DIN933 8.8 vz.	2
9	018333	Countersunk screw M12x30 DIN 7991blank	6
10	076749	Safety washer A85 DIN 471	1
11	052452	Shaft screw M10x35 DIN 427	2
12	087628	Mounting plate drive BiTurbo	1
13	018302	Cylinder head screw M10x12 DIN 912	1
14	085925	Headless pin M16x40 ISO 4026 A2	4
15	079862	safety washer M10	2

3 Drive unit until 0356_09_2021



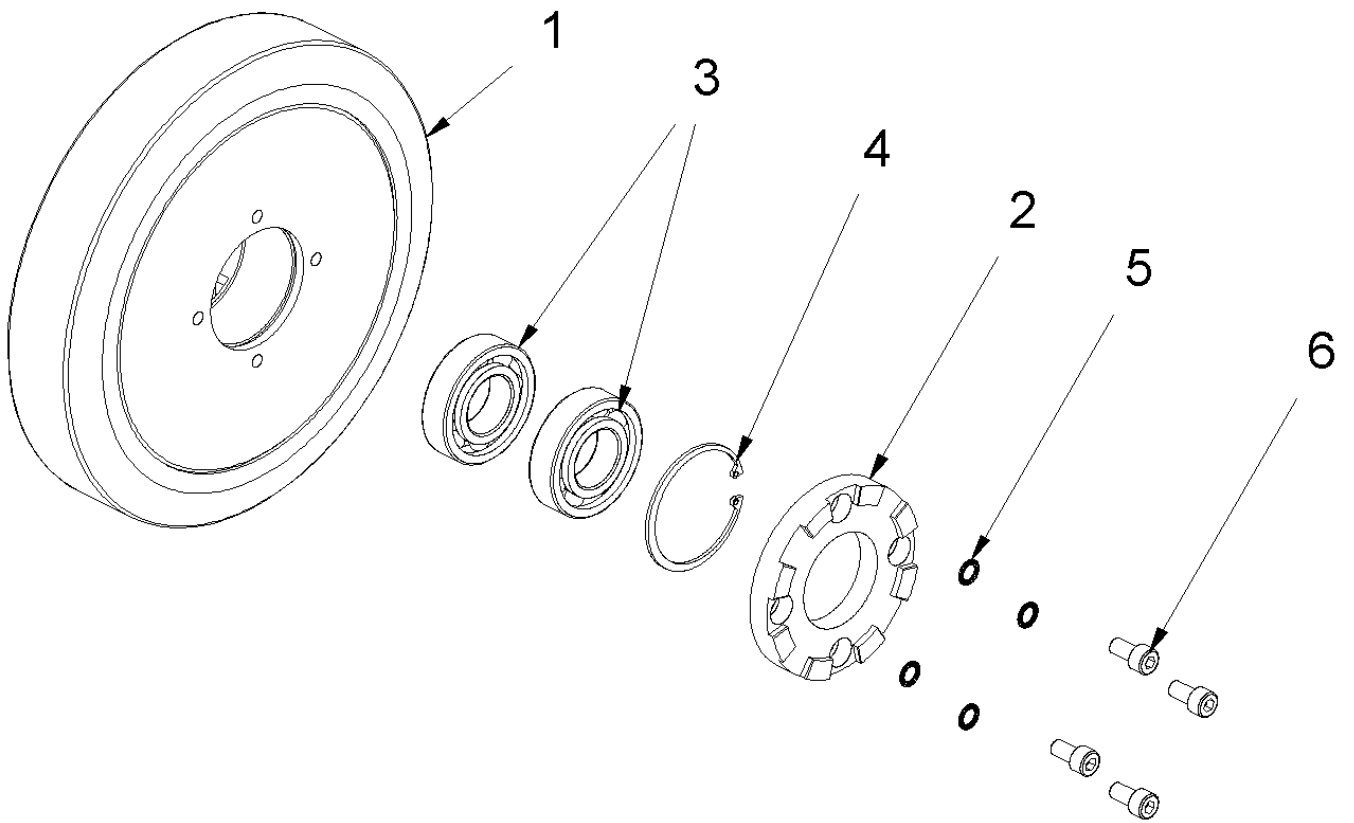
3 Drive unit until 0356_09_2021

Item no.	Article no.	Description	Quantity
1	087731	Geared motor 1,5kW 230V BiTurbo	1
2	087611	Holder additional weights left BiTurbo	1
3	087608	Holder additional weights right BiTurbo	1
4	087718	Drive wheel complete Ø250 BiTurbo	2
5	087600	Handle holder BiTurbo	1
6	088619	Strut front additional weights BiTurbo	1
7	018724	Fitting bolt M 8x16 ISO7379	4
8	014672	Eye screw M10x35 DIN 444	4
9	087871	Pulley Bowden cable BiTurbo	2
10	087598	Strut behind additional weights BiTurbo	1
11	032752	Rubber metal buffer 40x10-M8x23 Typ D	8
12	088290	Operating capacitor 32µF SEE 169012	1
13	087836	Holder adjusting screw BiTurbo	1
14	088615	Adjusting screw Bowden cable slotted bot	1
15	088289	Capacitor 150µF 230V BiTurbo	1
16	014861	Washer M10	4
17	017693	Safety washer I19 DIN 472	2
18	087676	Drive Shaft Axle BiTurbo	1
19	073949	Feather key 8x7x70 DIN 6885	1
20	014888	Wheel pin 4,2mm galv.	2
21	087800	Washer 17 DIN 9021	2
22	039457	Feather key 8x7x40 DIN 6885	2
23	087751	Tooth coupling complete BiTurbo	2
24	014860	Schnorr Washer M8	14
25	014734	Cylinder head screw M8x20 DIN 912	14
26	088509	Countersunk bolt M10x16 DIN 7991 10.9	8
27	083696	Hexagonal screw M 10x20 DIN933 8.8 vz.	6
28	014853	Safety washer A30 DIN 471	4
29	017538	Ball bearing DIN625-626 6x19x6 2RS	2
30	087839	Cover Clutch BiTurbo	1
31	014859	Schnorr washer M6	4
32	014731	Cylinder head screw M6x25 DIN 912	2
33	088613	Bowden cable BiTurbo short	2
34	088614	Bowden cable BiTurbo long	1

3 Drive unit until 0356_09_2021

Item no.	Article no.	Description	Quantity
35	087944	Wave spring Ø40xØ30x27	2
36	014829	Washer M10 DIN 125 A	4
37	018167	Hexagonal screw M10x 35 DIN 933	2
38	014817	Hexagon nut M10 DIN 985	2
39	088591	Pipe clamp Ø63" galva.verzinkt	1
40	088590	Pipe clamp Ø48-54" galvanized	1
41	017678	Cylinder head screw M6x30 DIN 912	1
42	088609	Protection plate BiTurbo	1
43	017724	Washer DIN 9021 6,4x18x1,6	2
44	014811	Hexagon nut M 10 DIN 934	4
45	014726	Cylinder head screw M6x12 DIN 912	4
46	014816	Hexagon nut M8 DIN 985	4
47	087602	SG Frame additional weights BiTurbo	2
48	014827	Washer M6 DIN 125 A	4
49	014815	Hexagon nut M6 DIN985	1
50	072951	Terminal connector 5-fold	1
51	050146	Connecting terminal 2-fold	1
52	087758	Cable glandSR-M 20x1,5/KB13-15mm	1
53	051948	Cable gland M20x1.5	1
54	088599	Seal insert multiple 2x6mm	1
55	050145	Connection terminal 3-fold	1
56	088883	Control cable Motor drive BiTurbo	1
57	088664	Cylinder head screw M 10x10 DIN 912	1
58	079862	safety washer M10	1
59	014730	Cylinder head screw M 6x20 DIN 912	2
60	014809	Hexagon nut M6 DIN 934	2
61	017724	Washer DIN 9021 6,4x18x1,6	1
62	014932	Rubber sleeve	1
63	171174	Gearbox BiTurbo MB2301 1:40	1

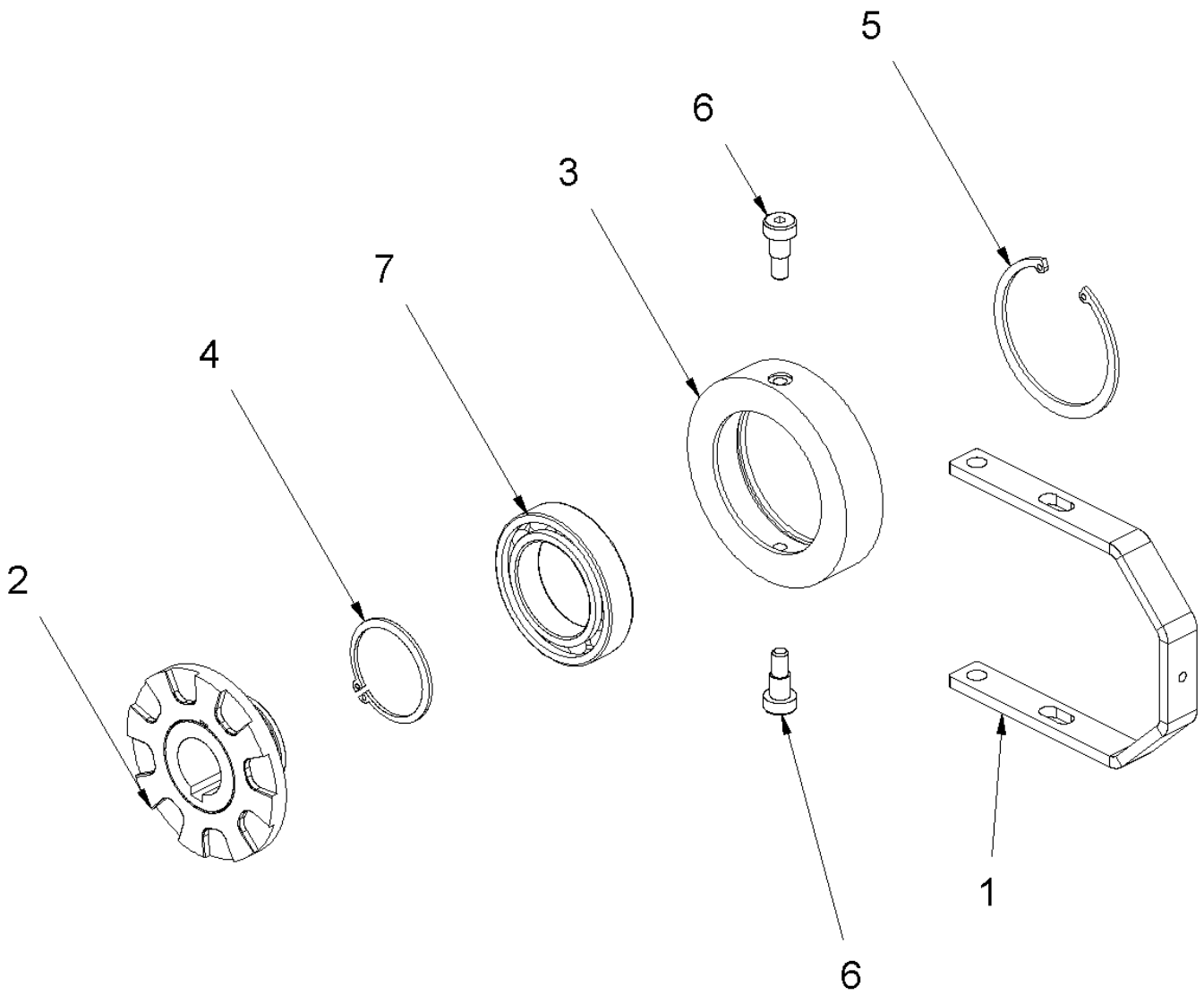
4 Drive wheel complete Ø250 BiTurbo



4 Drive wheel complete Ø250 BiTurbo

Item no.	Article no.	Description	Quantity
1	087876	Drive wheel Ø250mm BiTurbo	1
2	087704	Tooth clutch wheel Z8 BiTurbo	1
3	014710	Ball bearing 6206 2RS1 C3	2
4	014856	Safety washer I62 DIN 472	1
5	014860	Schnorr Washer M8	4
6	017651	Cylinder head screw M8x16 DIN 912	4

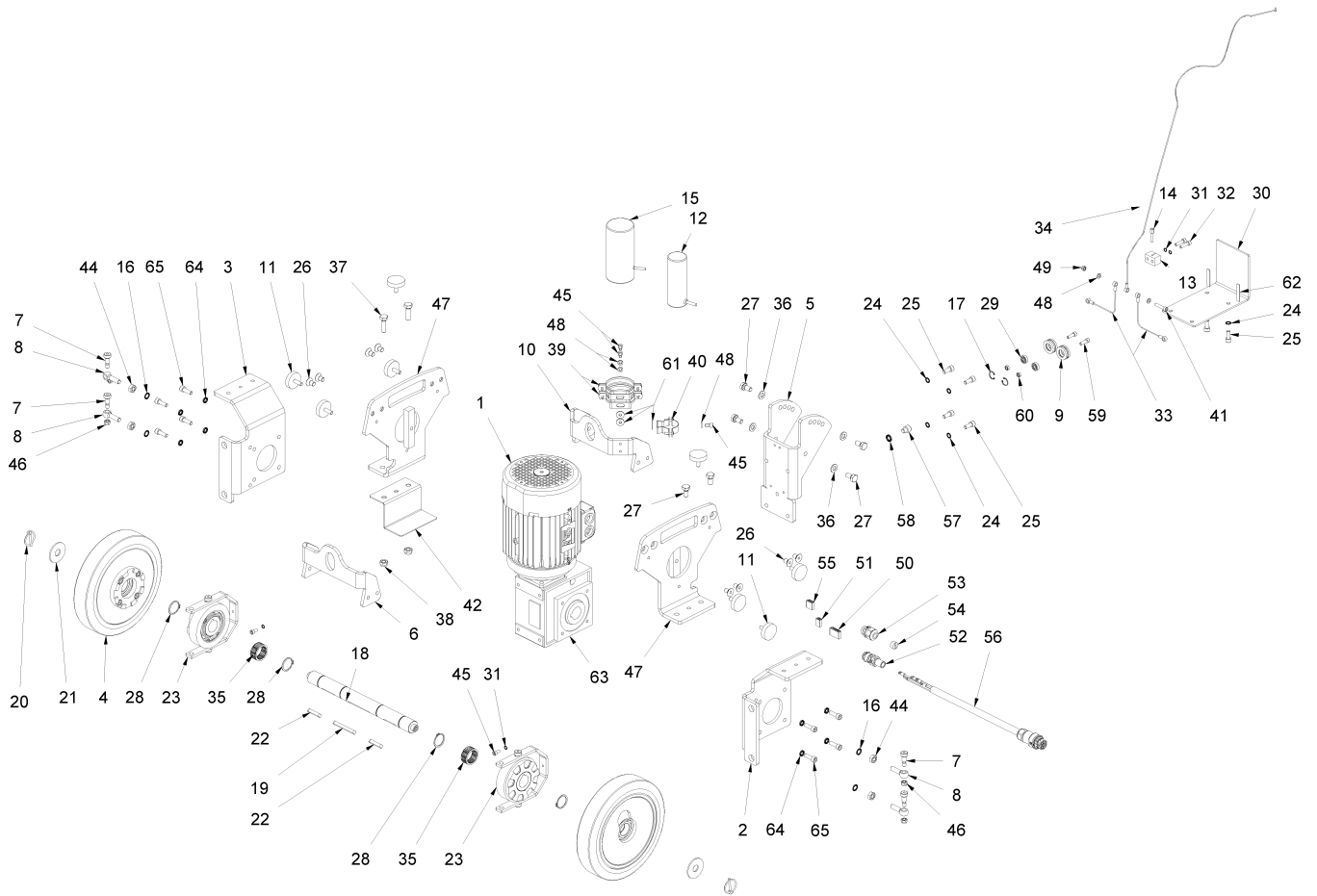
23 Tooth coupling complete BiTurbo



23 Tooth coupling complete BiTurbo

Item no.	Article no.	Description	Quantity
1	087647	Clutch bracket BiTurbo	1
2	087748	BGTooth coupling Z8 axis BiTurbo	1
3	087694	Driving plate BiTurbo	1
4	087778	Looking ring A50 DIN 471	1
5	087777	Circlip I80 DIN 472	1
6	052936	Screw M8x12 DIN 7379	2
7	059064	Grooved ball bearing 6010 2RS C3 (EE 330	1

3 Drive unit from 0357_09_2021



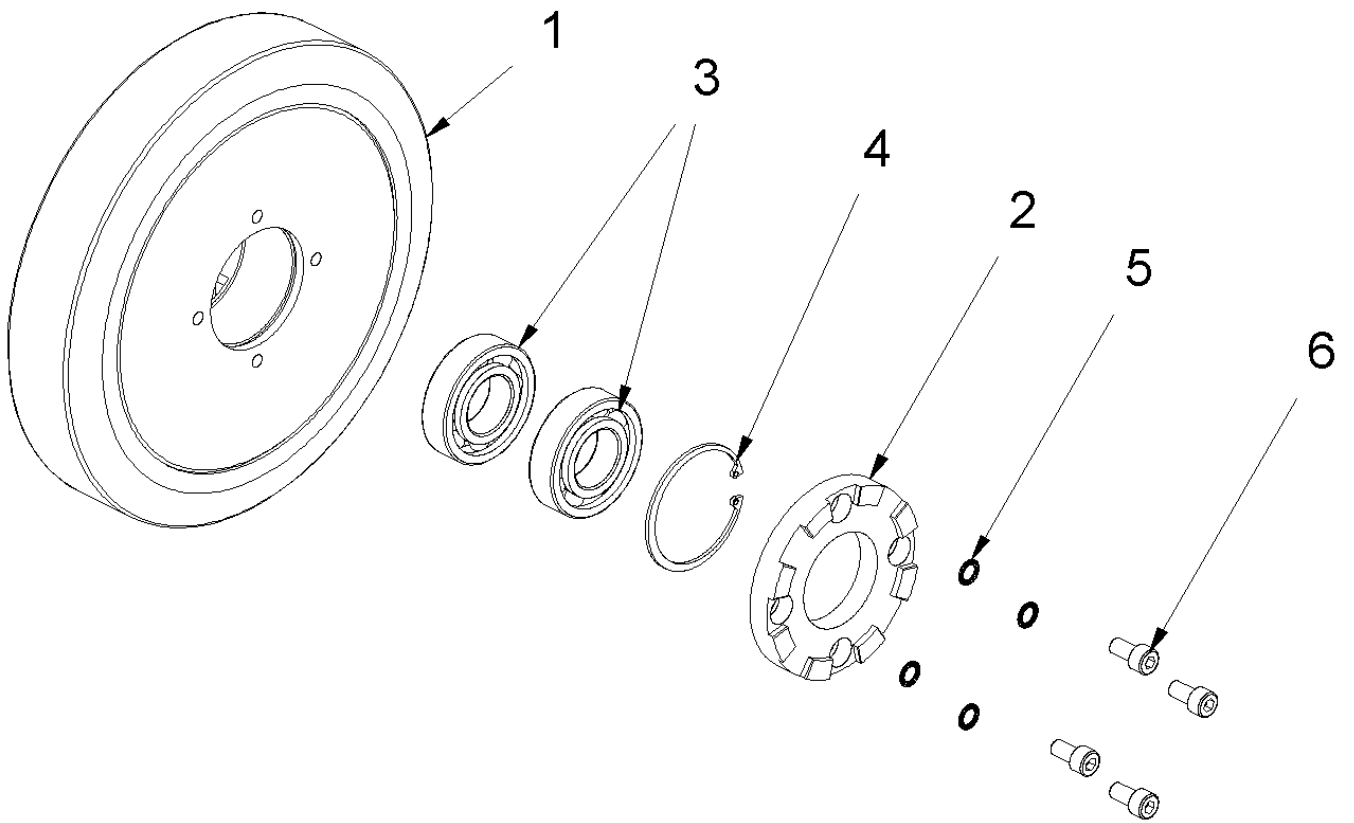
3 Drive unit from 0357_09_2021

Item no.	Article no.	Description	Quantity
1	087731	Geared motor 1,5kW 230V BiTurbo	1
2	087611	Holder additional weights left BiTurbo	1
3	087608	Holder additional weights right BiTurbo	1
4	087718	Drive wheel complete Ø250 BiTurbo	2
5	087600	Handle holder BiTurbo	1
6	088619	Strut front additional weights BiTurbo	1
7	018724	Fitting bolt M 8x16 ISO7379	4
8	014672	Eye screw M10x35 DIN 444	4
9	087871	Pulley Bowden cable BiTurbo	2
10	087598	Strut behind additional weights BiTurbo	1
11	032752	Rubber metal buffer 40x10-M8x23 Typ D	8
12	166448	Operating capacitor Hydra 32µF BiTurbo	1
13	087836	Holder adjusting screw BiTurbo	1
14	088615	Adjusting screw Bowden cable slotted bot	1
15	088289	Capacitor 150µF 230V BiTurbo	1
16	014861	Washer M10	4
17	017693	Safety washer I19 DIN 472	2
18	087676	Drive Shaft Axle BiTurbo	1
19	073949	Feather key 8x7x70 DIN 6885	1
20	014888	Wheel pin 4,2mm galv.	2
21	087800	Washer 17 DIN 9021	2
22	039457	Feather key 8x7x40 DIN 6885	2
23	087751	Tooth coupling complete BiTurbo	2
24	014860	Schnorr Washer M8	14
25	014734	Cylinder head screw M8x20 DIN 912	6
26	088509	Countersunk bolt M10x16 DIN 7991 10.9	8
27	083696	Hexagonal screw M 10x20 DIN933 8.8 vz.	6
28	014853	Safety washer A30 DIN 471	4
29	017538	Ball bearing DIN625-626 6x19x6 2RS	2
30	087839	Cover Clutch BiTurbo	1
31	014859	Schnorr washer M6	4
32	014731	Cylinder head screw M6x25 DIN 912	2
33	088613	Bowden cable BiTurbo short	2
34	088614	Bowden cable BiTurbo long	1

3 Drive unit from 0357_09_2021

Item no.	Article no.	Description	Quantity
35	087944	Wave spring Ø40xØ30x27	2
36	014829	Washer M10 DIN 125 A	4
37	018167	Hexagonal screw M10x 35 DIN 933	2
38	014817	Hexagon nut M10 DIN 985	2
39	088591	Pipe clamp Ø63" galva.verzinkt	1
40	166289	Pipe clamp 36-44 mm BiTurbo	1
41	017678	Cylinder head screw M6x30 DIN 912	1
42	088609	Protection plate BiTurbo	1
43	017724	Washer DIN 9021 6,4x18x1,6	2
44	014811	Hexagon nut M 10 DIN 934	4
45	014726	Cylinder head screw M6x12 DIN 912	4
46	014816	Hexagon nut M8 DIN 985	4
47	087602	SG Frame additional weights BiTurbo	2
48	014827	Washer M6 DIN 125 A	4
49	014815	Hexagon nut M6 DIN985	1
50	072951	Terminal connector 5-fold	1
51	050146	Connecting terminal 2-fold	1
52	087758	Cable glandSR-M 20x1,5/KB13-15mm	1
53	051948	Cable gland M20x1.5	1
54	088599	Seal insert multiple 2x6mm	1
55	050145	Connection terminal 3-fold	1
56	088883	Control cable Motor drive BiTurbo	1
57	088664	Cylinder head screw M 10x10 DIN 912	1
58	079862	safety washer M10	1
59	014730	Cylinder head screw M 6x20 DIN 912	2
60	014809	Hexagon nut M6 DIN 934	2
61	017724	Washer DIN 9021 6,4x18x1,6	1
62	014932	Rubber sleeve	1
63	171174	Gearbox BiTurbo MB2301 1:40	1
64	066929	Safety washer M 8	8
65	014735	Cylinder head screw M8x25 DIN 912	8

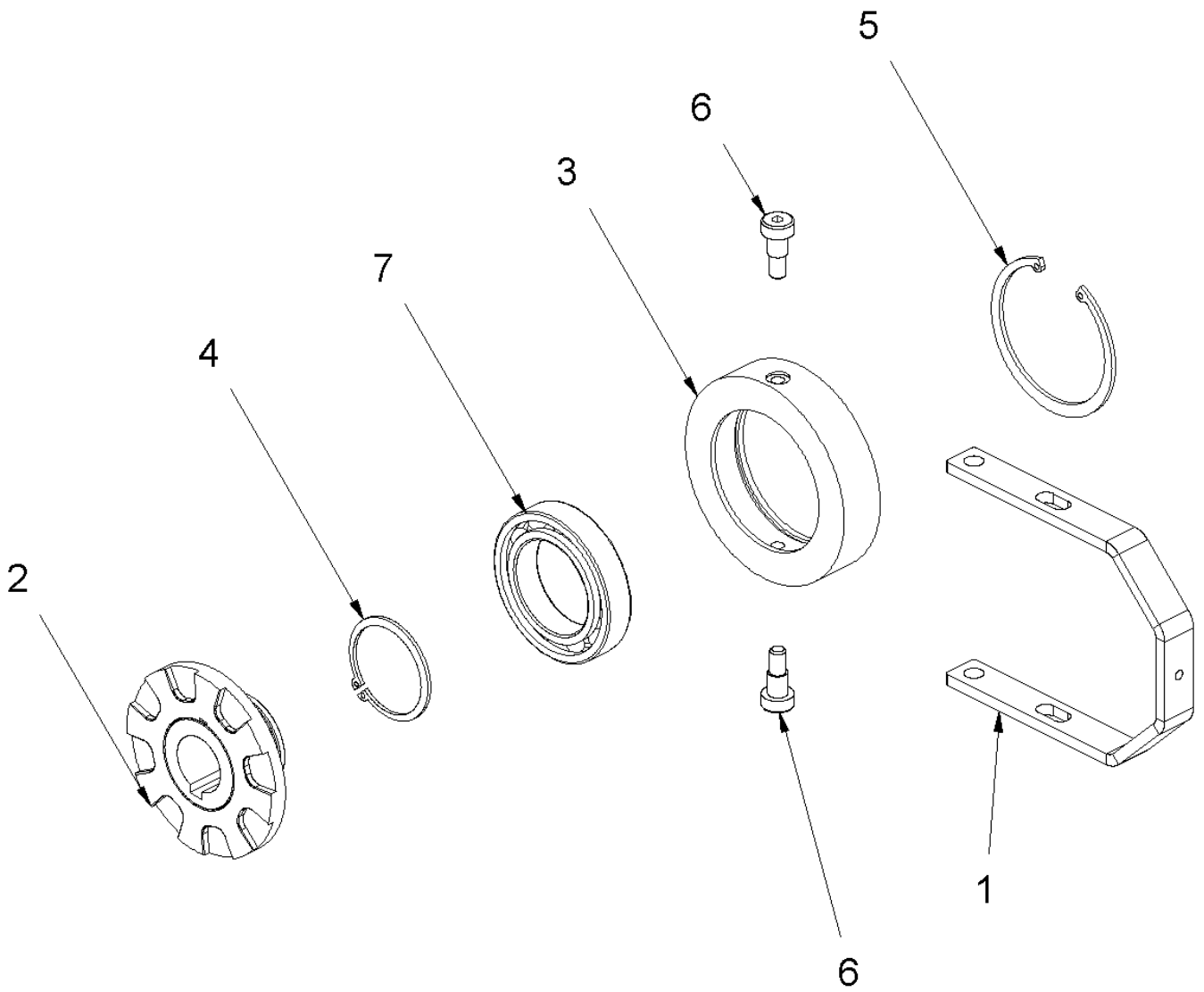
4 Drive wheel complete Ø250 BiTurbo



4 Drive wheel complete Ø250 BiTurbo

Item no.	Article no.	Description	Quantity
1	087876	Drive wheel Ø250mm BiTurbo	1
2	087704	Tooth clutch wheel Z8 BiTurbo	1
3	014710	Ball bearing 6206 2RS1 C3	2
4	014856	Safety washer I62 DIN 472	1
5	014860	Schnorr Washer M8	4
6	017651	Cylinder head screw M8x16 DIN 912	4

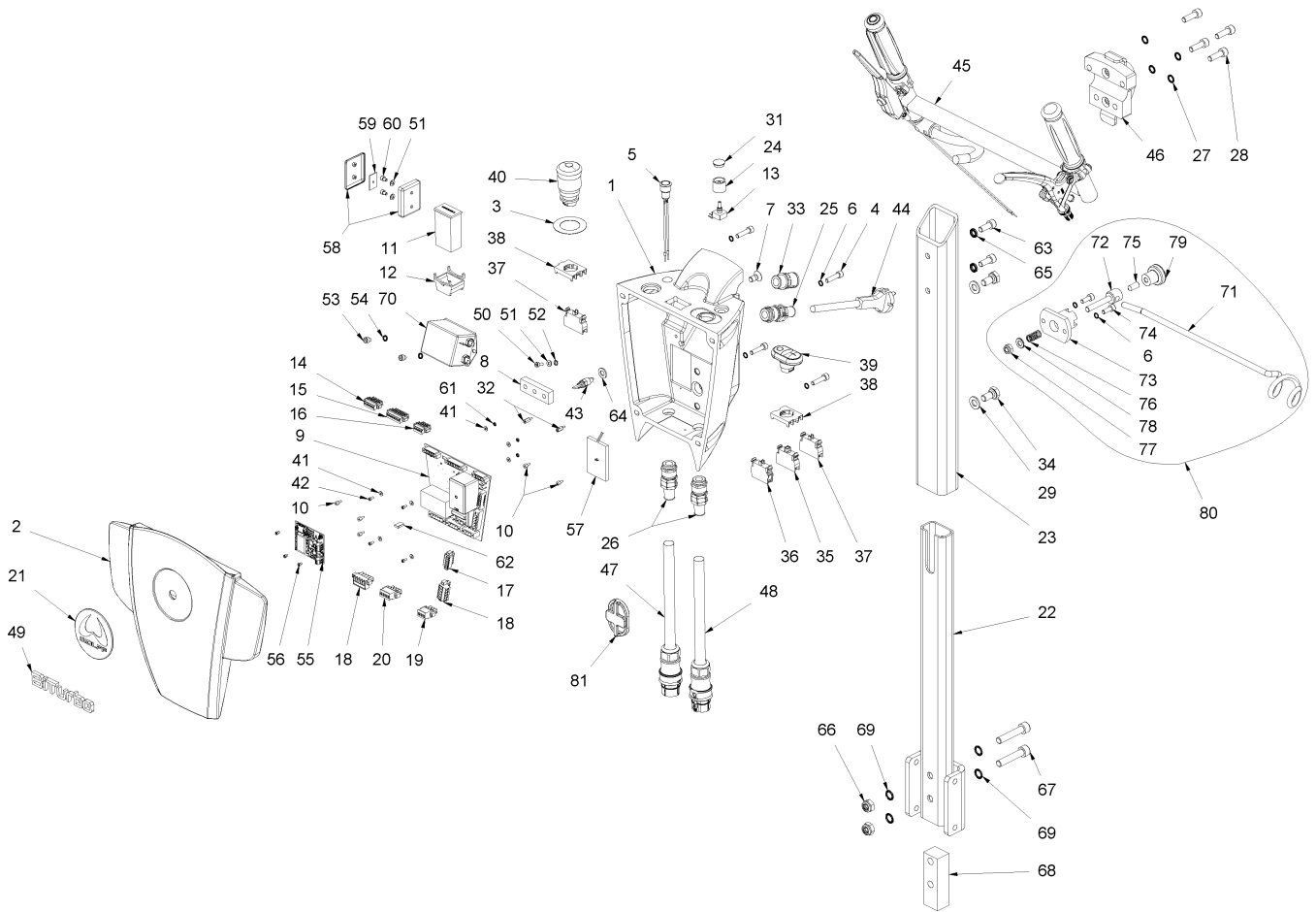
23 Tooth coupling complete BiTurbo



23 Tooth coupling complete BiTurbo

Item no.	Article no.	Description	Quantity
1	087647	Clutch bracket BiTurbo	1
2	087748	BGTooth coupling Z8 axis BiTurbo	1
3	087694	Driving plate BiTurbo	1
4	087778	Looking ring A50 DIN 471	1
5	087777	Circlip I80 DIN 472	1
6	052936	Screw M8x12 DIN 7379	2
7	059064	Grooved ball bearing 6010 2RS C3 (EE 330	1

4 Handle



4 Handle

Item no.	Article no.	Description	Quantity
1	087735	Switch housing with counter BiTurbo	1
2	082823	Cover MO with FU 230V BiTurbo	1
3	136966	Label emergency C-Stiel	1
4	014731	Cylinder head screw M6x25 DIN 912	4
5	088818	Switch 2-stage with cable BiTurbo	1
6	014859	Schnorr washer M6	6
7	014764	Countersunk screw M8x16 DIN7991 micro	1
8	087740	Terminal strip Handel BiTurbo	1
9	088481	Control board BiTurbo	1
10	088323	Spacer M2,5x5mm SW5 BiTurbo	5
11	076873	XS Service hour meter 230V 50 Hz	1
12	084731	Holder Service hour meter Typ 250	1
13	014650	Potentiometer 100kOhm with cable	1
14	088327	Terminal block 3,50mm 6 PIN Horizontal	1
15	088328	Terminal block 3,5mm 8 PIN horizontal	1
16	088330	Terminal block 3,5mm 5 PIN horizontal	1
17	088335	Terminal block 3,5mm 6 PIN vertical	1
18	088336	Terminal block 5mm 5 PIN vertical	2
19	088337	Terminal block 5mm 3 PIN horizontal	1
20	088339	Terminal block 5mm 4 PIN horizontal	1
21	118141	Label Wolff 3D d80mm	1
22	087595	SG Inside tube BiTurbo	1
23	087649	Outer tube handle BiTurbo	1
24	088520	Rotary knob Ø20 black Poti	1
25	084796	Cable gland SR-M 20x1,5KB11-13mm	1
26	087758	Cable glandSR-M 20x1,5/KB13-15mm	2
27	014860	Schnorr Washer M8	4
28	014735	Cylinder head screw M8x25 DIN 912	4
29	014829	Washer M10 DIN 125 A	2
31	088521	Cap Turn knob Ø20 black Poti	1
32	088324	Spacer M2,5x10mm SW5 BiTurbo	2
33	088463	Cable gland NW16 M20x1,5	1
34	083696	Hexagonal screw M 10x20 DIN933 8.8 vz.	2
35	038638	LED for signal lamp	1

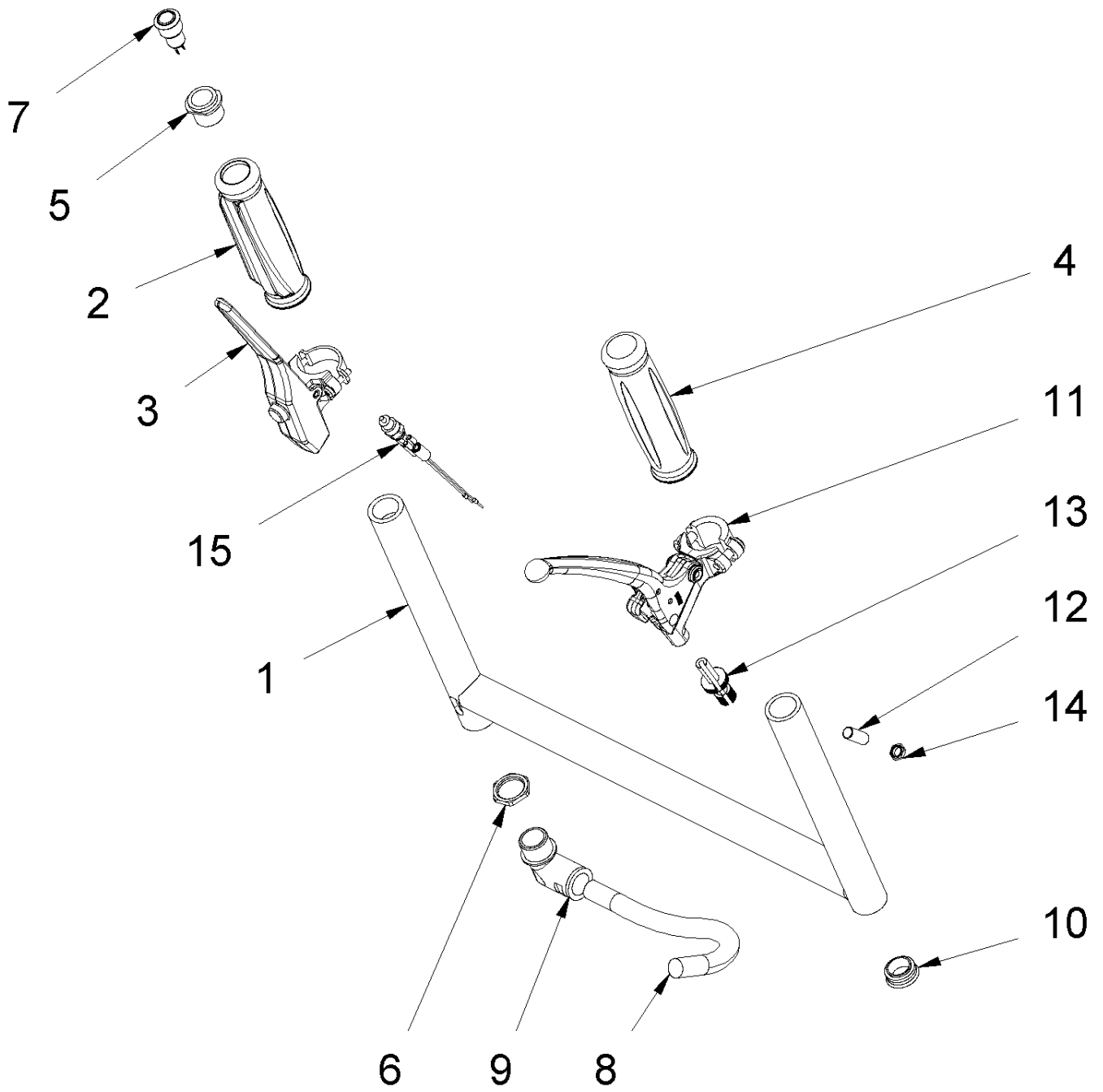
4 Handle

Item no.	Article no.	Description	Quantity
36	017505	Contact element shut NO	1
37	017507	Contact element open NC	2
38	017503	Adapterattachment	2
39	017499	Double pressure calipers	1
40	052443	Safety switch	1
41	088561	Washer M2,7 DIN 125 A	7
42	088576	Cylinder head screw M2,5x6 DIN 912 12.9	4
43	038581	Switch f. Dead-man-seized handle	1
44	088900	Supply cable BiTurbo	1
45	088990	Handle complete BiTurbo	1
46	088988	Backstop complete BiTurbo	1
47	088884	Control cable striking mechanism handel	1
48	088882	Control cable Drive handel BiTurbo	1
49	154707	Label BiTurbo large handle	1
50	014717	Cylinder head screw M4x10 DIN 912	1
51	017452	Washer M4 DIN 125 B	3
52	017663	Tooth lock washer 4.3 Form A DIN 6797	1
53	018276	Cylinder head screw M5x6 DIN 912	2
54	014858	Schnorr washer M5	2
55	088649	ZZZIMM Set-up kit Standard Europa Li 5Wh	1
56	088800	Cylinder head screw M 2,5x4 DIN 912	3
57	089108	IMM Battery (LiPo 1260mAh) Li 5Wh	1
58	089080	IMM Antenna Kit	1
59	089080	IMM Antenna Kit	1
60	081714	Cylinder head screw M 4X6 DIN 912	2
61	088801	Hexagon nut M2,5 DIN 934	3
62	088833	Protective cap for flat plug 6.3 mm	1
63	014734	Cylinder head screw M8x20 DIN 912	2
64	014828	Washer M8 DIN 125 A	1
65	066929	Safety washer M 8	2
66	014817	Hexagon nut M10 DIN 985	2
67	017549	Zylinder head screw M10x50 DIN 912	2
68	011775	Clamping piece inner tube BiTurbo	1
69	014861	Washer M10	4

4 Handle

Item no.	Article no.	Description	Quantity
70	088601	Mains filter 250V AC 16A BiTurbo	1
71	161668	Cable support arm BiTurbo	1
72	161667	Bolt Cable extension BiTurbo	1
73	161665	Sleeve Cantilever arm BiTurbo	1
74	014729	Cylinder head screw M 6x16 DIN 912	2
75	018178	headless pin M 8x20 DIN 914	1
76	017557	Pressure spring D151B / 11x22x1	1
77	014816	Hexagon nut M8 DIN 985	1
78	014828	Washer M8 DIN 125 A	1
79	161661	Knurled knob M8x31 black	1
80	161669	Cable support compl. BiTurbo	1
81	067749	cable retention	1

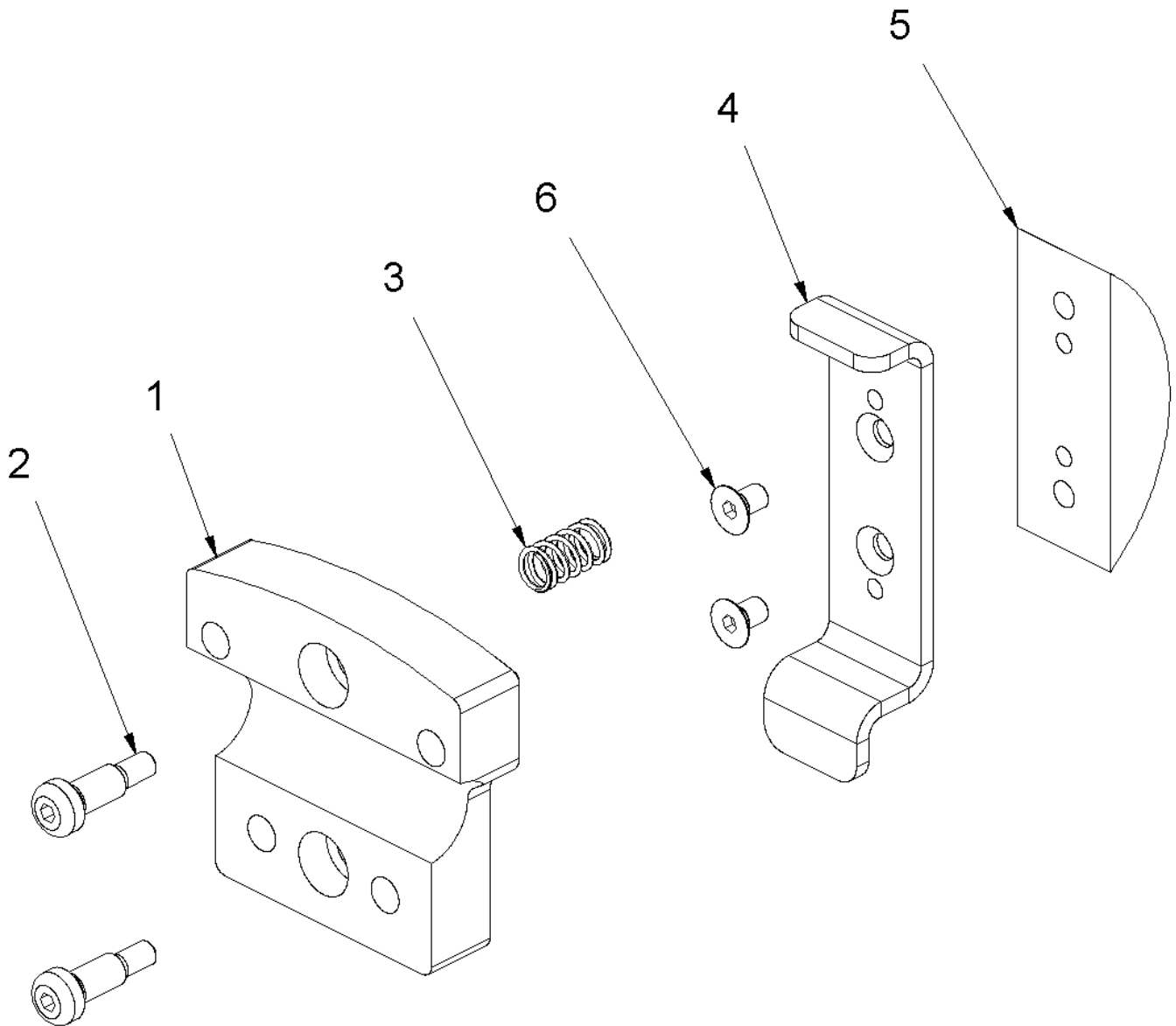
45 Handle complete BiTurbo



45 Handle complete BiTurbo

Item no.	Article no.	Description	Quantity
1	088318	Handle BiTurbo	1
2	087816	Grip covering Totman BiTurbo	1
3	032751	Dead-man-seized handle	1
4	069782	Grip covering left VarioSilent/CaymanSt	1
5	087817	Thread socket Pushbutton/switch BiTurbo	1
6	088345	Lock nut M20x1,5	1
7	087933	Reverse button BiTurbo	1
8	119222	Cable Sleeve PG11Mambo 2	1
9	088344	Elbow fitting M20x1,5/1GY	1
10	017782	Stopper d19,0-21,5 x 11 black	1
11	088303	Clutch handle Magura BiTurbo	1
12	088616	headless pin M8x1x20 DIN 913	1
13	088618	Adjusting screw slotted M8x45	1
14	088617	Lock nut M8x1 DIN 439	1
15	088822	Switch deadman with cable BiTurbo	1

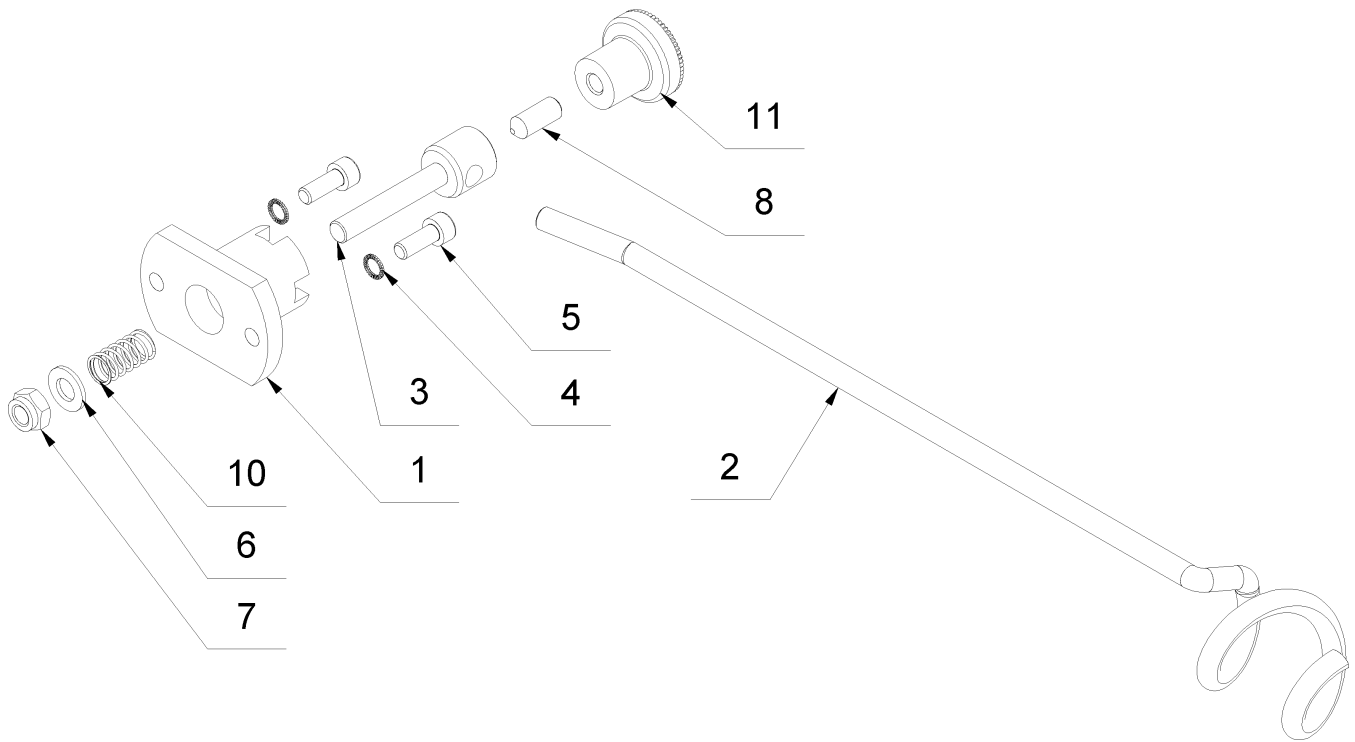
46 Backstop complete BiTurbo



46 Backstop complete BiTurbo

Item no.	Article no.	Description
1	087787	Handle clamp BiTurbo
2	088761	Screw M6x16 DIN 7379
3	088816	Pressure spring VD-195A-15 Ø11x20xØ1,25
4	088696	Backstop Plate BiTurbo
5	088721	Backstop mushroom BiTurbo
6	017726	Countersunk screw M6x10 DIN 7991 10.9

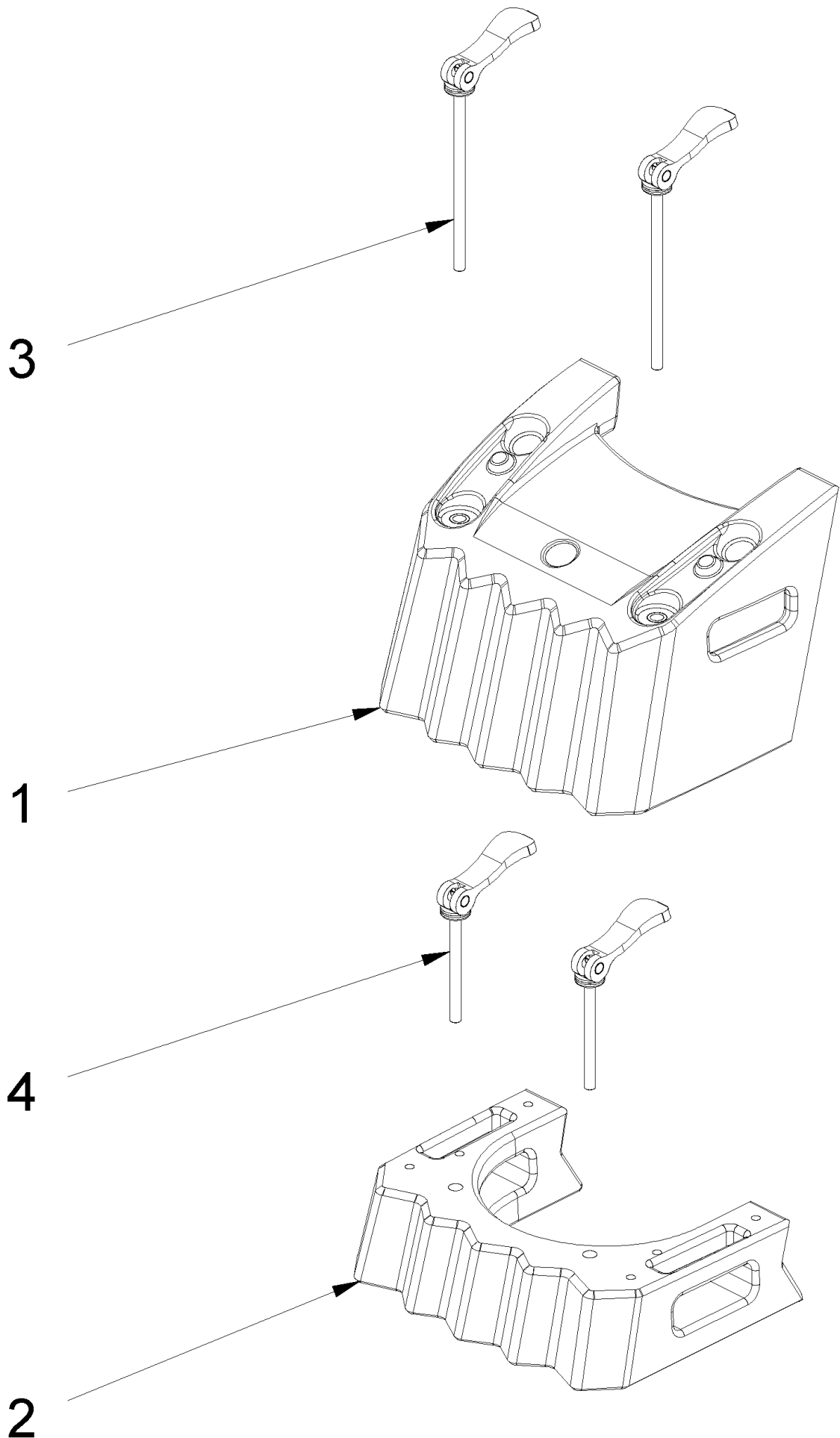
80 Cable support compl. BiTurbo



80 Cable support compl. BiTurbo

Item no.	Article no.	Description	Quantity
1	161665	Sleeve Cantilever arm BiTurbo	1
2	161668	Cable support arm BiTurbo	1
3	161667	Bolt Cable extension BiTurbo	1
4	014859	Schnorr washer M6	2
5	014729	Cylinder head screw M 6x16 DIN 912	2
6	014828	Washer M8 DIN 125 A	1
7	014816	Hexagon nut M8 DIN 985	1
8	018178	headless pin M 8x20 DIN 914	1
10	017557	Pressure spring D151B / 11x22x1	1
11	161661	Knurled knob M8x31 black	1

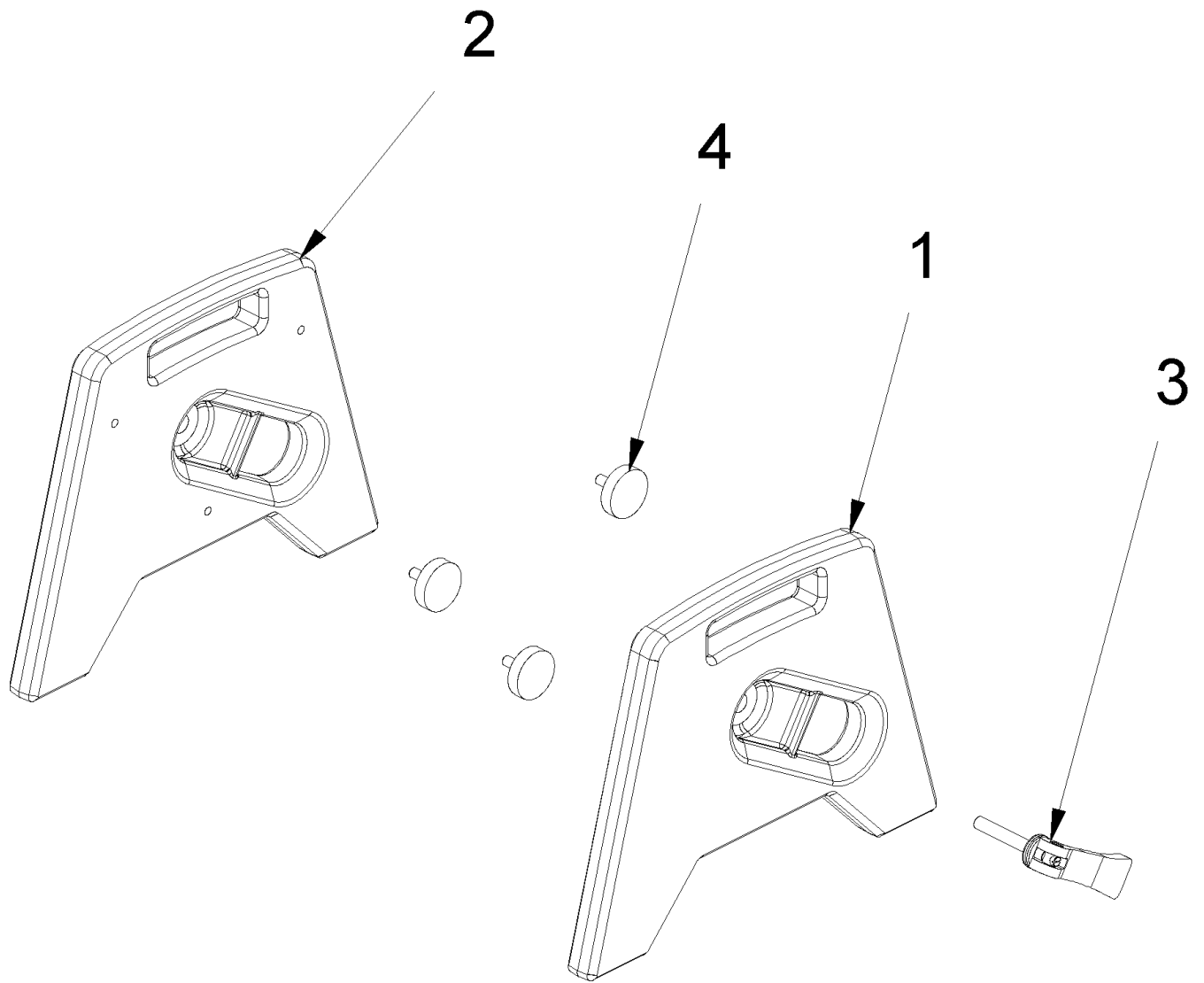
5 Front weights



5 Front weights

Item no.	Article no.	Description	Quantity
1	087834	Additional weight front top BiTurbo	1
2	087835	Additional weight front bottom BiTurbo	1
3	087887	Eccentric lever length M10x185mm	2
4	087886	Eccentric lever length M10x110mm	2

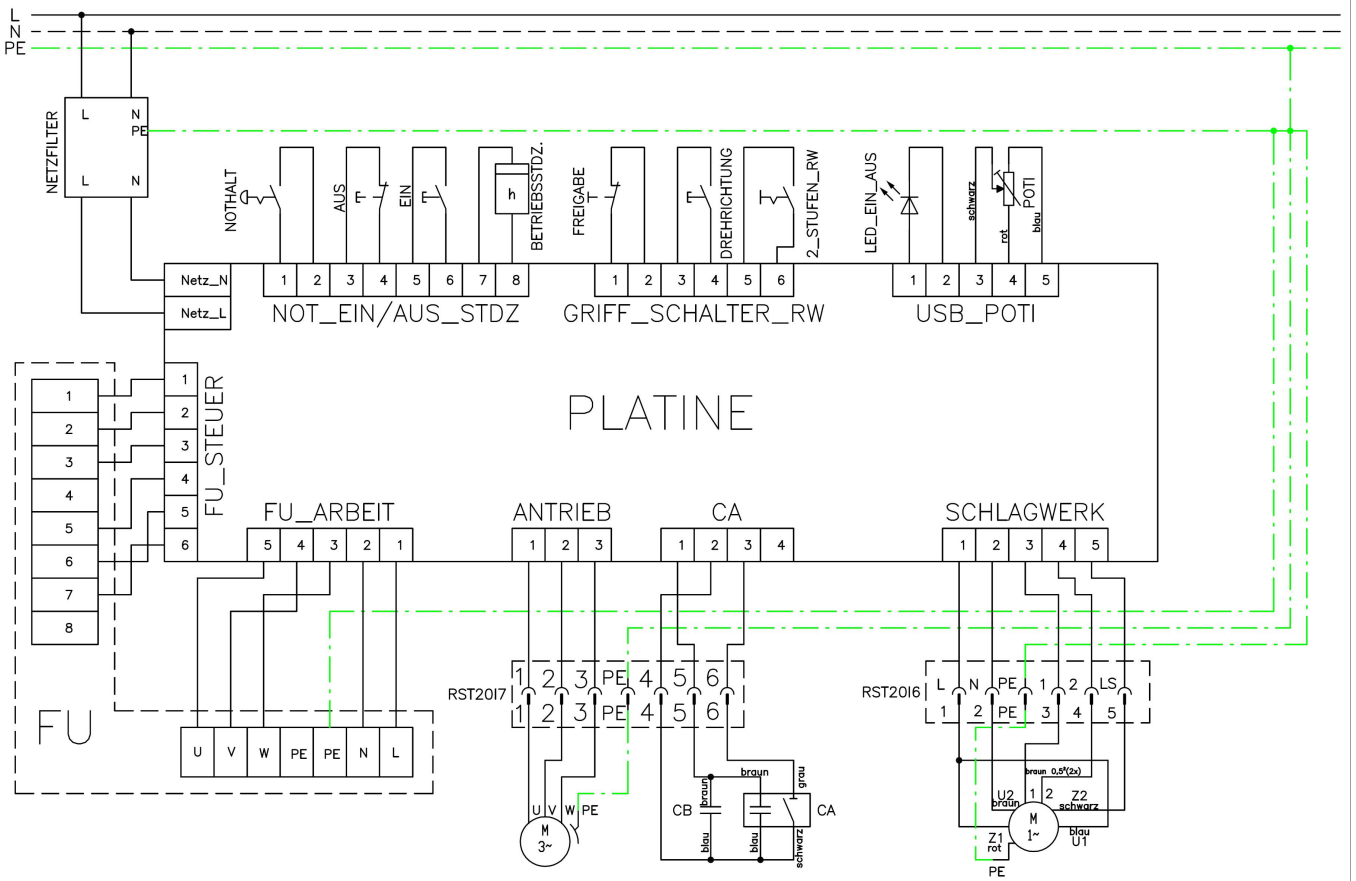
6 Rear weights



6 Rear weights

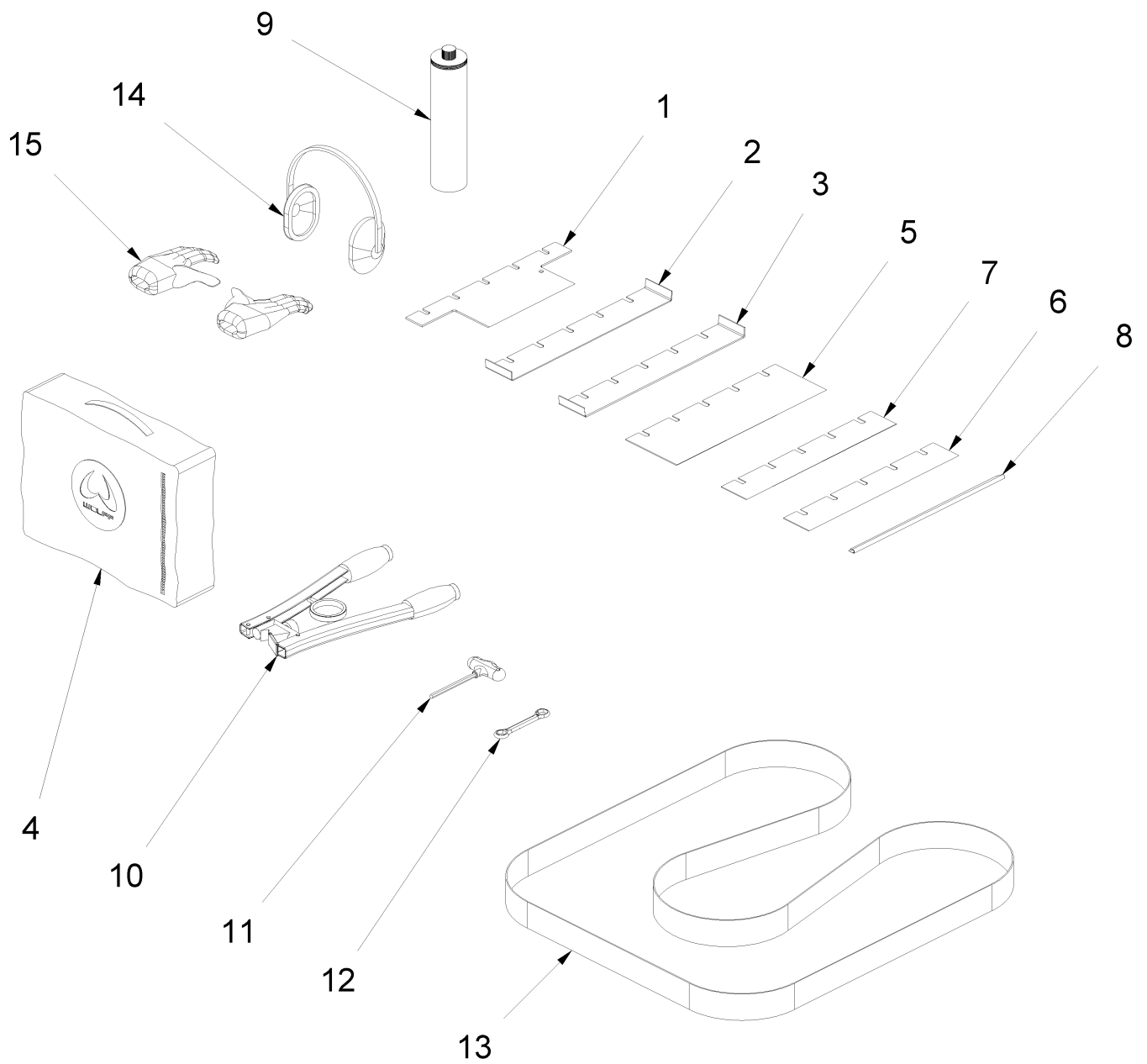
Item no.	Article no.	Description	Quantity
1	087833	Additional weight outside rear BiTurbo	2
2	088442	Additional weight rear inside BiTurbo	2
3	087885	Eccentric lever length M10x60mm	2
4	032752	Rubber metal buffer 40x10-M8x23 Typ D	6

7 Circuit diagram



7 Circuit diagram

8 Tool kit



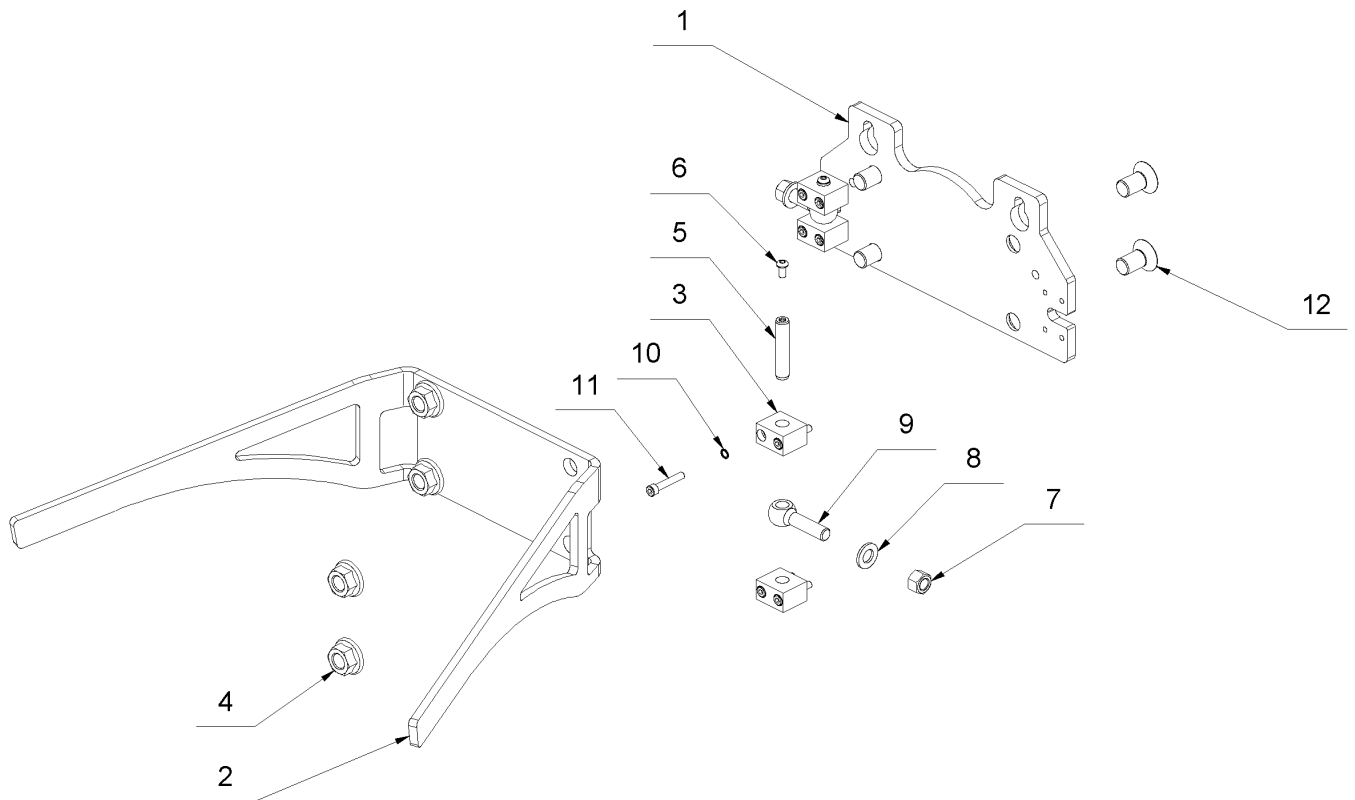
8 Tool kit

Item no.	Article no.	Description	Quantity
1	079637	Parquet blade 200x120x3	1
2	038933	U-Blade 350mm bottom cutting edge	1
3	013983	U-Blade 350mm top cutting edge	1
4	054064	Tool bag green - Wolff	1
5	013982	Spare blade, 350 x 120 x 1,5 mm	1
6	013978	Spare blades, 350 x 60 x 1,0 mm, 10 pcs.	1
7	013979	Spare blades, 350 x 60 x 1,5 mm, 10 pcs.	1
8	017647	Blade protection 350mm	1
9	087733	Lagermeister WHS 2002 500g SR-cartridge	1
10	087466	Two-hand grease gun SEE 176568	1
11	019141	T-handle 6-kt SW 6	1
12	088851	Double ratchet wrench SW17/19	1
13	088742	Round sling 1000 kg	1
14	015315	Hearing protectors	1
15	015809	Safety gloves 1 pair	1
16	087952	Operating Manual BiTurbo DE,EN,FR	1

9 Accessories

Item no.	Article no.	Description	Quantity
1	013978	Spare blades, 350 x 60 x 1,0 mm, 10 pcs.	1
2	013979	Spare blades, 350 x 60 x 1,5 mm, 10 pcs.	1
3	013980	Spare blades, 200 x 60 x 1,5 mm, 10 pcs.	1
4	013981	Spare blades, 150 x 60 x 1,5 mm, 10 pcs.	1
5	013982	Spare blade, 350 x 120 x 1,5 mm	1
6	013983	U-Blade 350mm top cutting edge	1
7	038933	U-Blade 350mm bottom cutting edge	1
8	039362	Special blade, heavy type, 350 mm	1
9	079634	Parquet knife 350x150x3	1
9	079636	Parquet knife 350x120x3	1
10	079635	Parquet blade 350x150x3 toothed	1
10	079637	Parquet blade 200x120x3	1
11	079638	Parquet blade 100x120x3 toothed	1
12	079639	Parquet blade 350x120x3 thooted	1
13	081205	Blade 350 x 60 x 1,5 mm serrated	1
14	080358	Parquet knife 350x150x3toothed w.def cpl	1
15	080359	Parquet knife 350x150x3 cpl.	1
16	062227	Running gear for Turbo	1
17	088300	Ergo Cutter Pro	1
18	015315	Hearing protectors	1
19	015809	Safety gloves 1 pair	1
20	036690	Extension cord 3G1,5x10 black Schuko	1
21	036742	Extension cord 3G1,5x10 black CH	1
22	054064	Tool bag green - Wolff	1
23	179133	Carrying aid BiTurbo	1

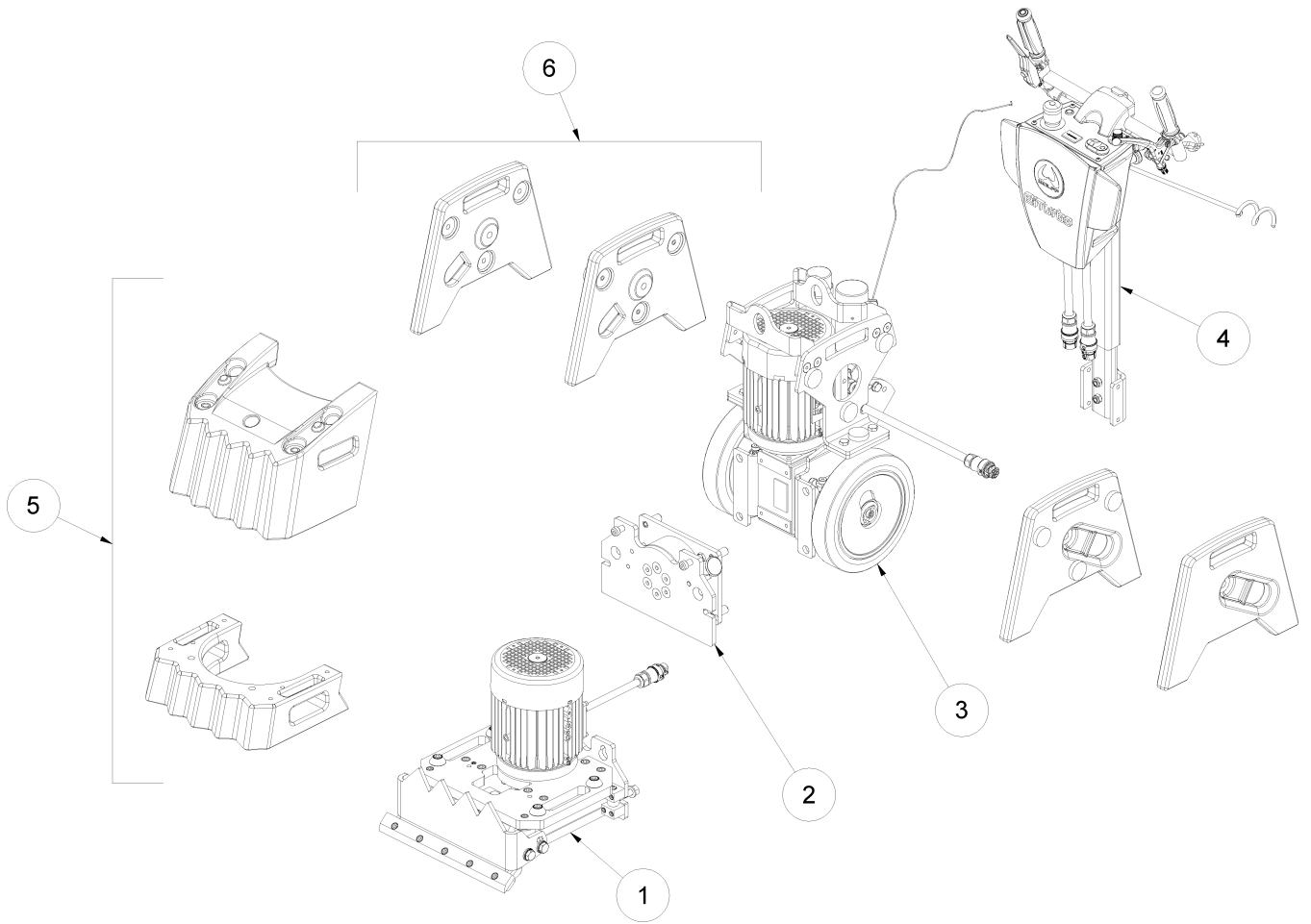
23 Carrying aid BiTurbo



23 Carrying aid BiTurbo

Item no.	Article no.	Description	Quantity
1	087622	Mounting plate Impact BiTurbo	1
2	179326	Hanger carrier BiTurbo	1
3	087708	Bearing bock bolt BiTurbo	4
4	073952	Locknut M16 DIN 6923	4
5	087771	Cylindrical pin 12x60 DIN 7979	2
6	017553	Lens head screw M6x12	2
7	018663	Hexagon nut M12 DIN 934	2
8	014830	Washer M12 DIN 125 A	2
9	087770	Eye screw M12x55 DIN 444	2
10	014859	Schnorr washer M6	8
11	018264	Cylinder head screw M 6x35 DIN 912	8
12	073954	Countersunk screw M16x30 DIN 7991 10.9	4

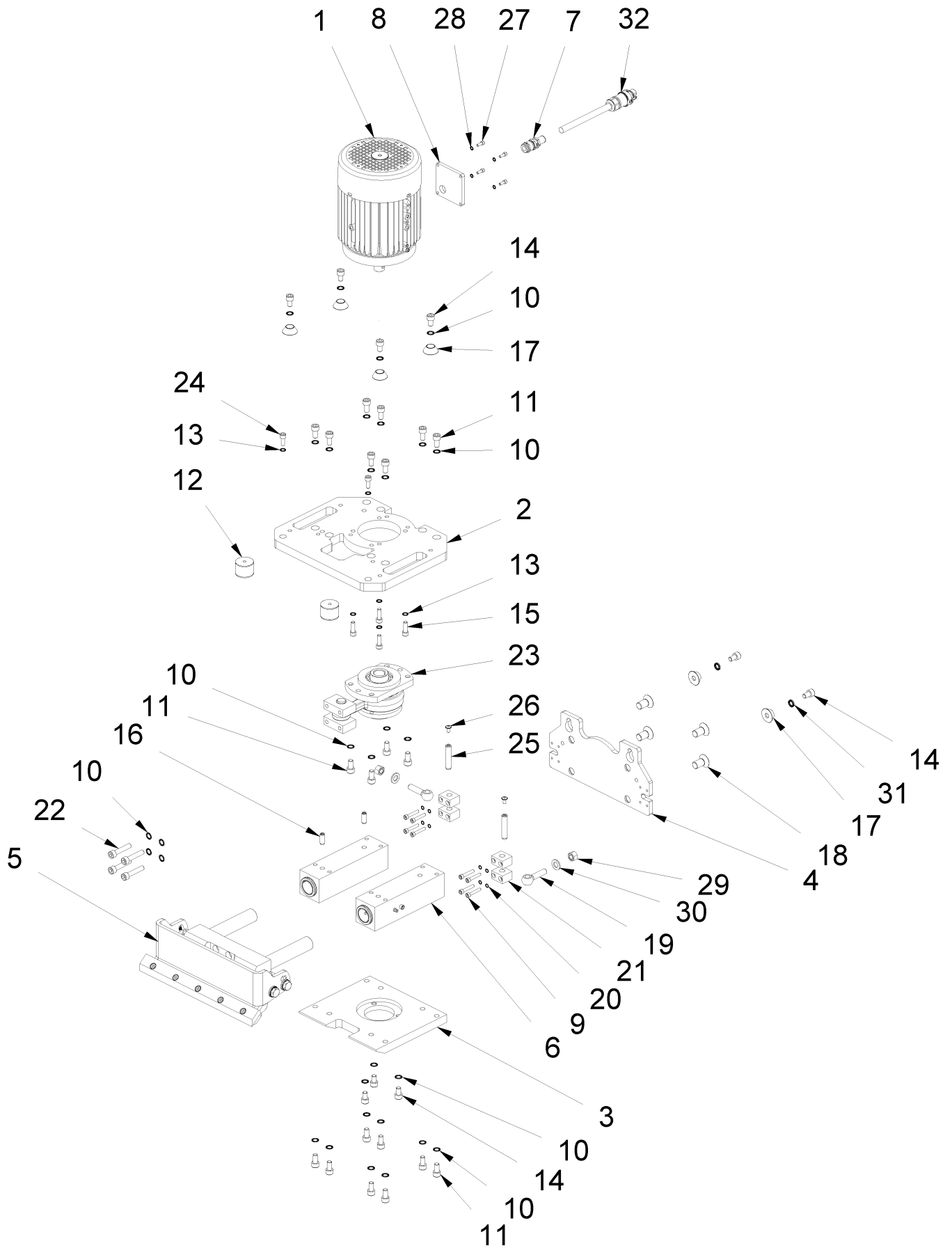
2 BiTurbo EU (0624-10/2023 - heute)



2 BiTurbo EU (0624-10/2023 - heute)

Item no.	Article no.	Description
1	01_01_087756	Impact
2	01_02_087747	Swivel joint
3	02_03_087790	Drive unit
4	02_04_087797	Handle
5	01_05_085000	Front weights
6	01_06_085000	Rear weights
7	01_07_085000	Circuit diagram
8	01_08_087953	Tool kit
9	01_09_085000	Accessories

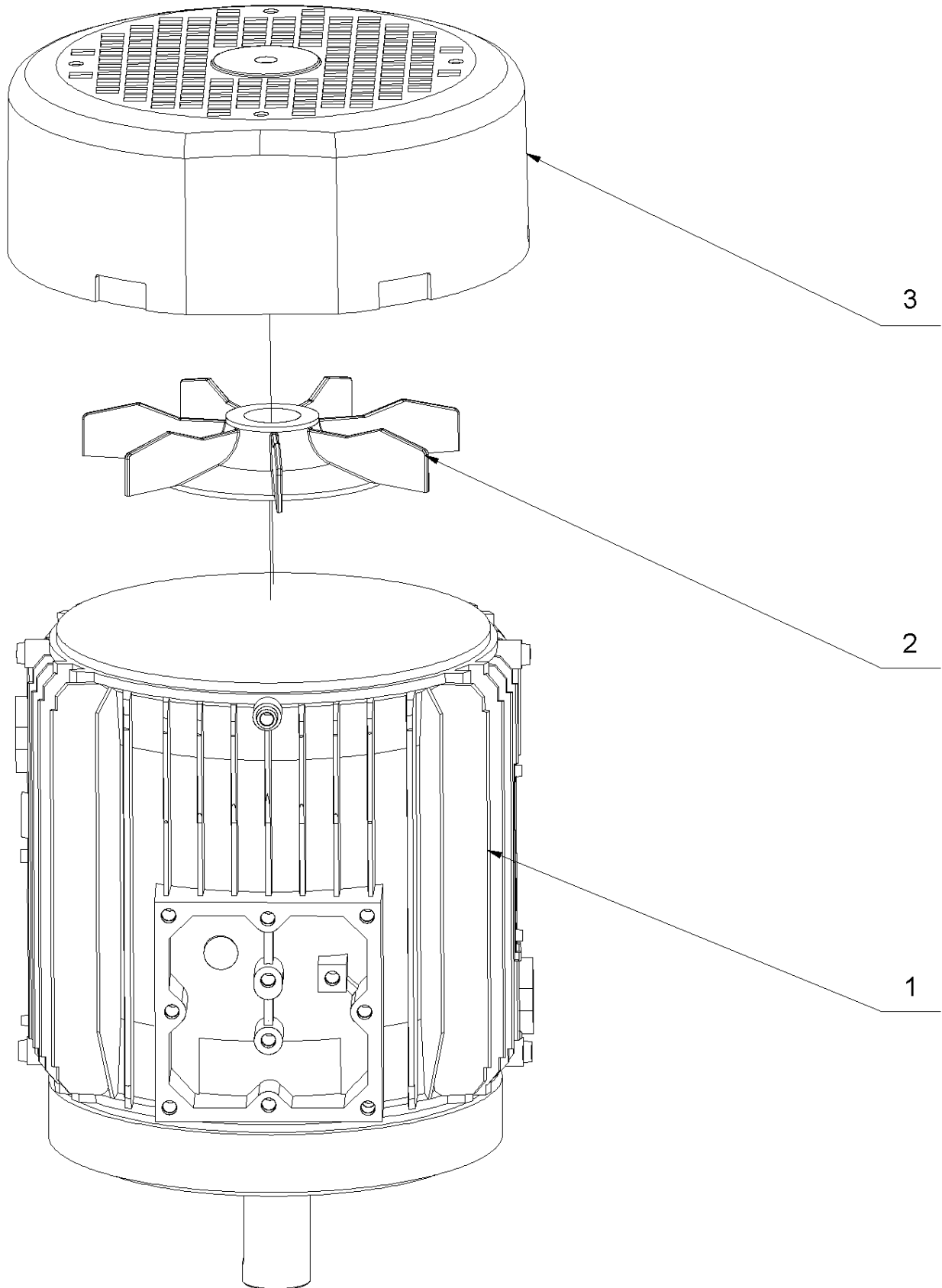
1 Impact



1 Impact

Item no.	Article no.	Description	Quantity
1	087729	Motor Impact system 1,5kW 230V BiTurbo	1
2	087648	Frame plate top BiTurbo	1
3	087651	Frame plate below BiTurbo	1
4	087622	Mounting plate Impact BiTurbo	1
5	088986	Swinger complete BiTurbo	1
6	087755	Sleeve complete BiTurbo	2
7	087758	Cable glandSR-M 20x1,5/KB13-15mm	1
8	088519	Cover Terminal box BiTurbo	1
9	018264	Cylinder head screw M 6x35 DIN 912	8
10	014861	Washer M10	31
11	018301	Cylinder head screw M10x20 DIN 912	20
12	077748	Rubber stop Ø40x30-M8	2
13	014860	Schnorr Washer M8	6
14	014740	Cylinder head screw M10x16 DIN 912 10.9	9
15	014735	Cylinder head screw M8x25 DIN 912	4
16	087935	Cylindrical pin 10x26 DIN 7979	2
17	087680	Cone for additional weight BiTurbo	6
18	073954	Countersunk screw M16x30 DIN 7991 10.9	4
19	087770	Eye screw M12x55 DIN 444	2
20	014859	Schnorr washer M6	8
21	087708	Bearing bock bolt BiTurbo	4
22	017549	Zylinder head screw M10x50 DIN 912	4
23	087745	BG Excenter Shaft BiTurbo	1
24	014734	Cylinder head screw M8x20 DIN 912	2
25	087771	Cylindrical pin 12x60 DIN 7979	2
26	017553	Lens head screw M6x12	2
27	017610	Cylinder head screw M5x16 DIN 912	4
28	014858	Schnorr washer M5	4
29	018663	Hexagon nut M12 DIN 934	2
30	014830	Washer M12 DIN 125 A	2
31	079862	safety washer M10	2
32	088886	Control cable impact motor BiTurbo	1

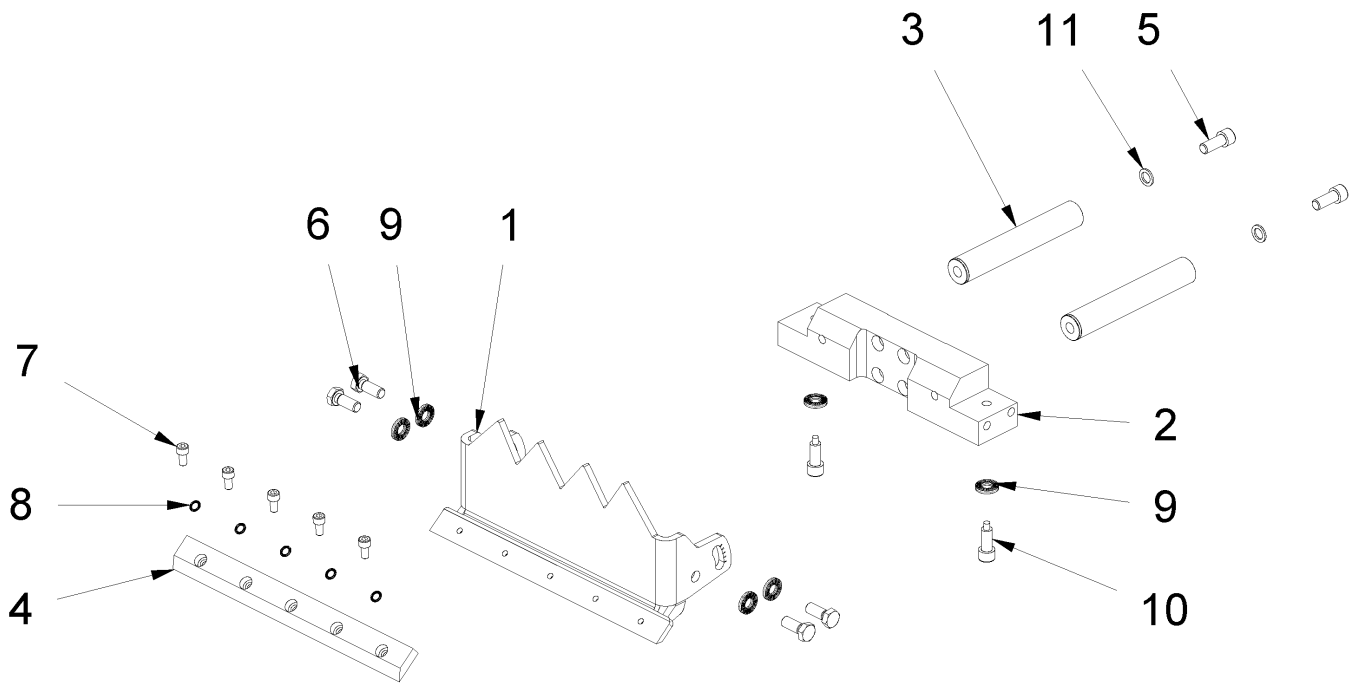
1 Motor Impact system 1,5kW 230V BiTurbo



1 Motor Impact system 1,5kW 230V BiTurbo

Item no.	Article no.	Description	Quantity
1			1
2	174120	Fan wheel impact motor BiTurbo	1
3	172784	Fan hood engine BiTurbo	1

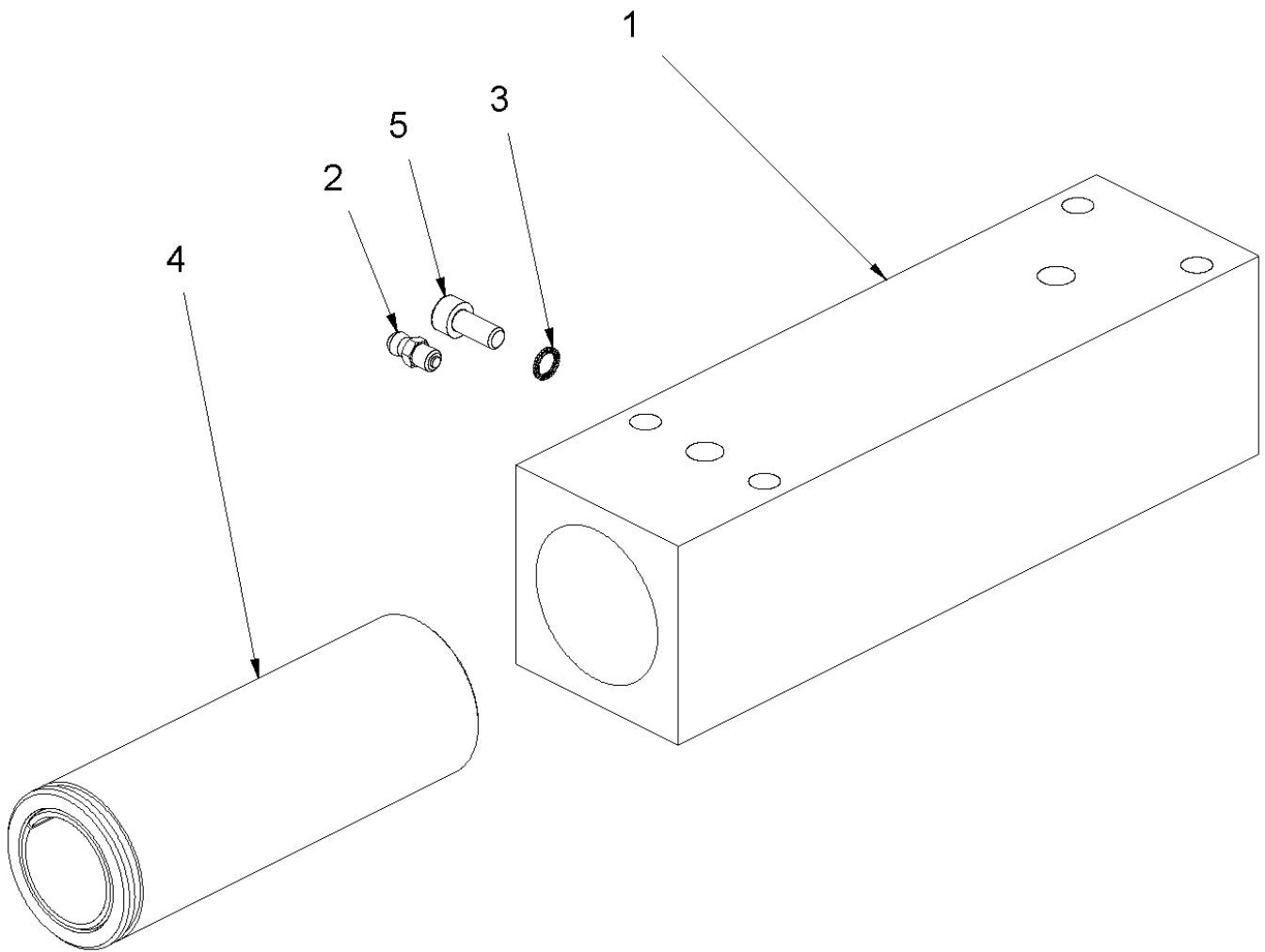
5 Swinger complete BiTurbo



5 Swinger complete BiTurbo

Item no.	Article no.	Description	Quantity
1	087640	Swing arm BiTurbo	1
2	087675	Adjustable oscillator BiTurbo	1
3	015132	Guide sleeve round Turbo/Bau	2
4	087693	Blade holder BiTurbo	1
5	014744	Cylinder head screw M12x30 DIN 912	2
6	014780	Hexagon head screw M12x 30 DIN 933	4
7	017651	Cylinder head screw M8x16 DIN 912	5
8	014860	Schnorr Washer M8	5
9	087780	Safety washer M12 LL	6
10	087870	Special screw rubber buffer BiTurbo	2
11	014833	Washer 13 DIN 433	2

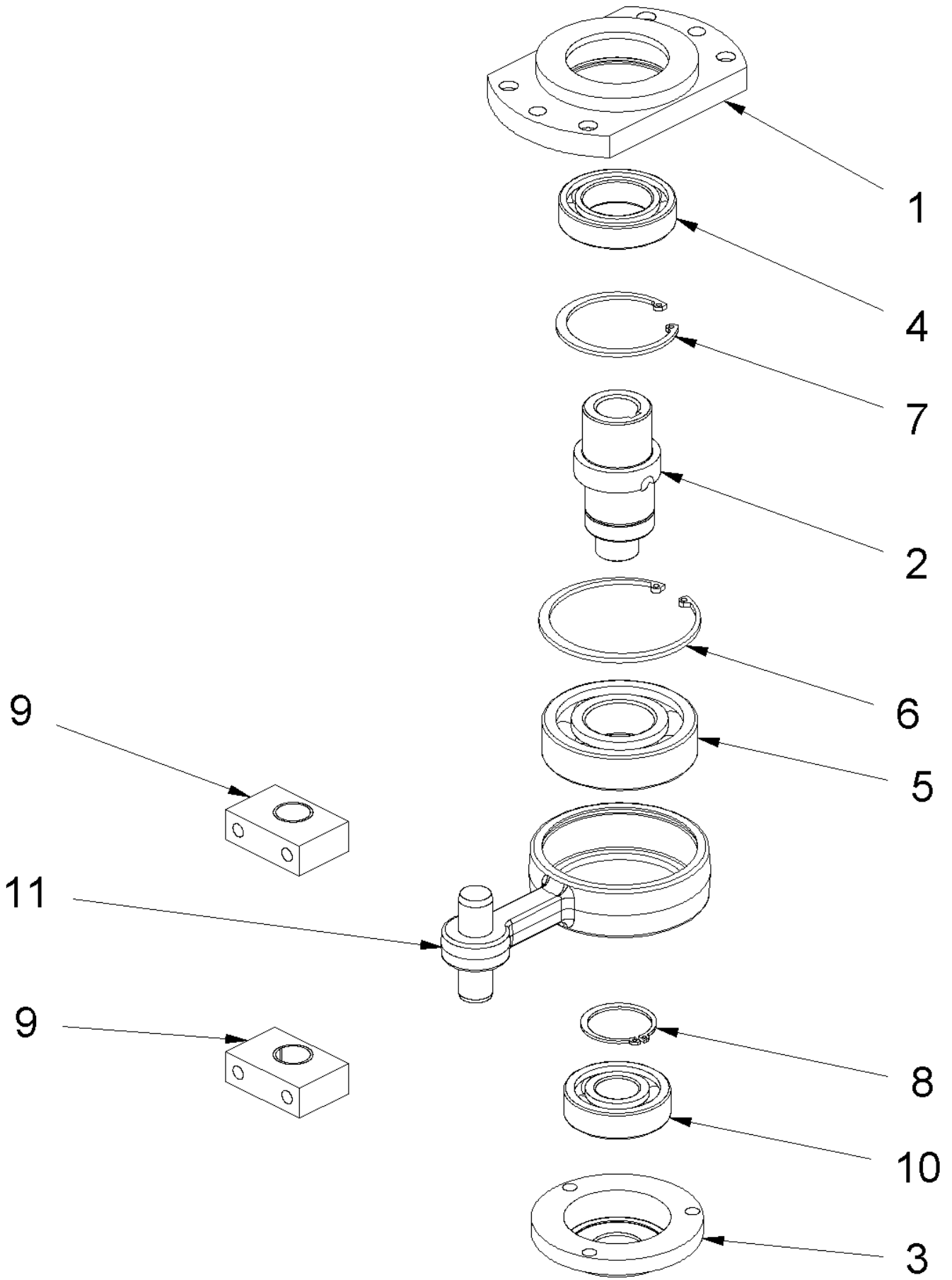
6 Sleeve complete BiTurbo



6 Sleeve complete BiTurbo

Item no.	Article no.	Description	Quantity
1	087679	Guide sleeve square BiTurbo	1
2	014914	Lubricating nippel H1 M6	1
3	014859	Schnorr washer M6	1
4	088501	Exchange sleeve BiTurbo	1
5	014727	Cylinder head screw M 6x14 DIN 912	1

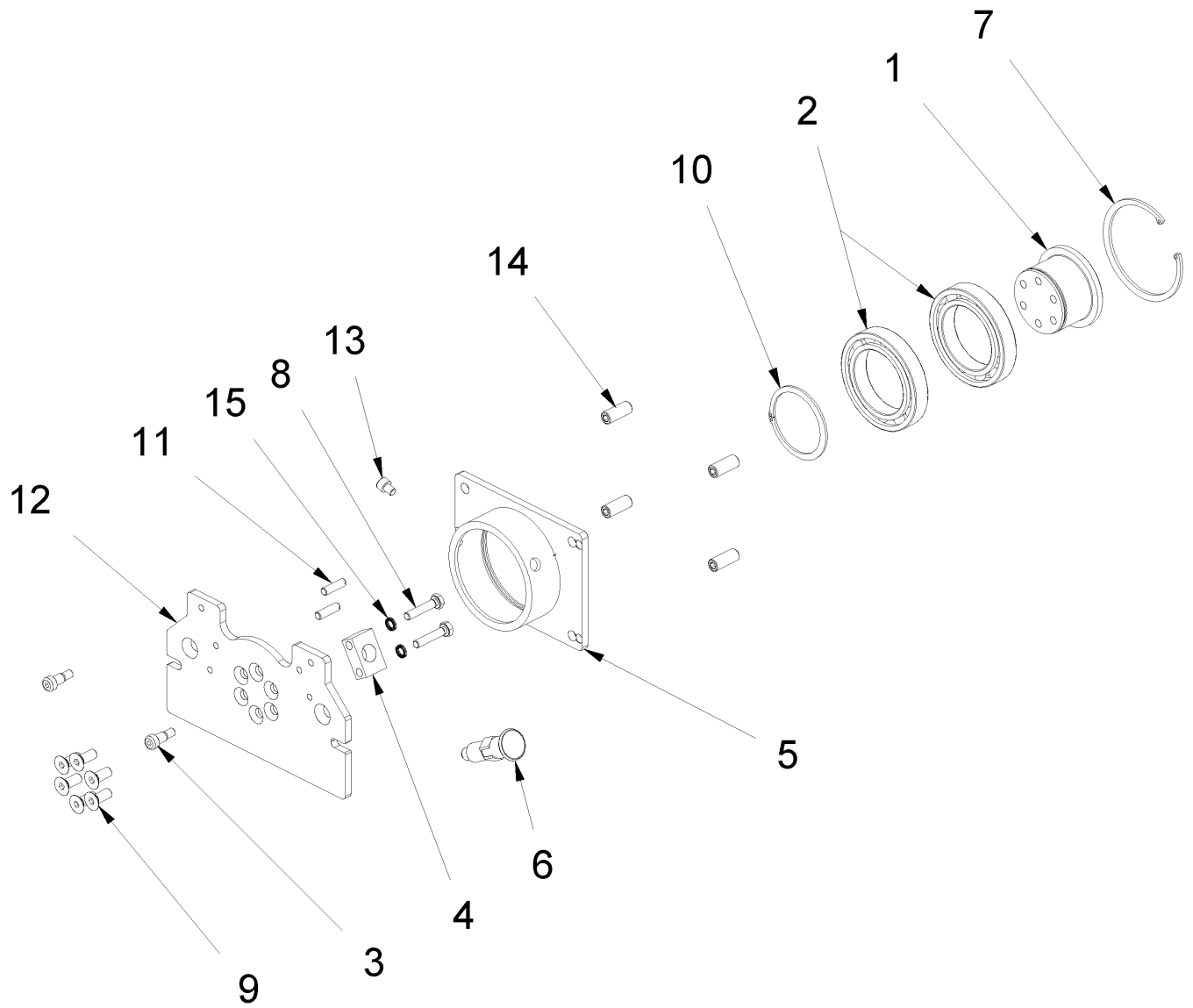
23 BG Excenter Shaft BiTurbo



23 BG Excenter Shaft BiTurbo

Item no.	Article no.	Description	Quantity
1	087695	Motor flange BiTurbo	1
2	087669	Excenter Shaft BiTurbo	1
3	087691	Bearing flange eccentric shaft BiTurbo	1
4	014706	Ball-bearing 6008 2RS1 C3	1
5	087781	Ball bearing 6308-2RS1/C3	1
6	087774	Circlip I90 DIN 472	1
7	073955	Safety washer I68DIN 472	1
8	087772	Looking ring A40 DIN 471	1
9	087728	Connecting rod bearing complete BiTurbo	2
10	014712	Ball bearing 6305	1
11	088610	Connecting rod BiTurbo	1

2 Swivel joint



2 Swivel joint

Item no.	Article no.	Description	Quantity
1	073869	Gear shaft Robo-Stripper	1
2	073793	Ball bearing 6017 2RS1	2
3	087779	Screw M10x16 DIN 7379	2
4	087707	Bearing bock locking bolt BiTurbo	1
5	087633	Sleeve swivel joint BiTurbo	1
6	072154	Locking pin size 5 Form C - M24x2 Ø16	1
7	087776	Circlip I130 DIN 472	1
8	175610	Hexagonal screw M 10x50 DIN933 8.8 vz.	2
9	018333	Countersunk screw M12x30 DIN 7991blank	6
10	076749	Safety washer A85 DIN 471	1
11	052452	Shaft screw M10x35 DIN 427	2
12	087628	Mounting plate drive BiTurbo	1
13	018302	Cylinder head screw M10x12 DIN 912	1
14	085925	Headless pin M16x40 ISO 4026 A2	4
15	079862	safety washer M10	2

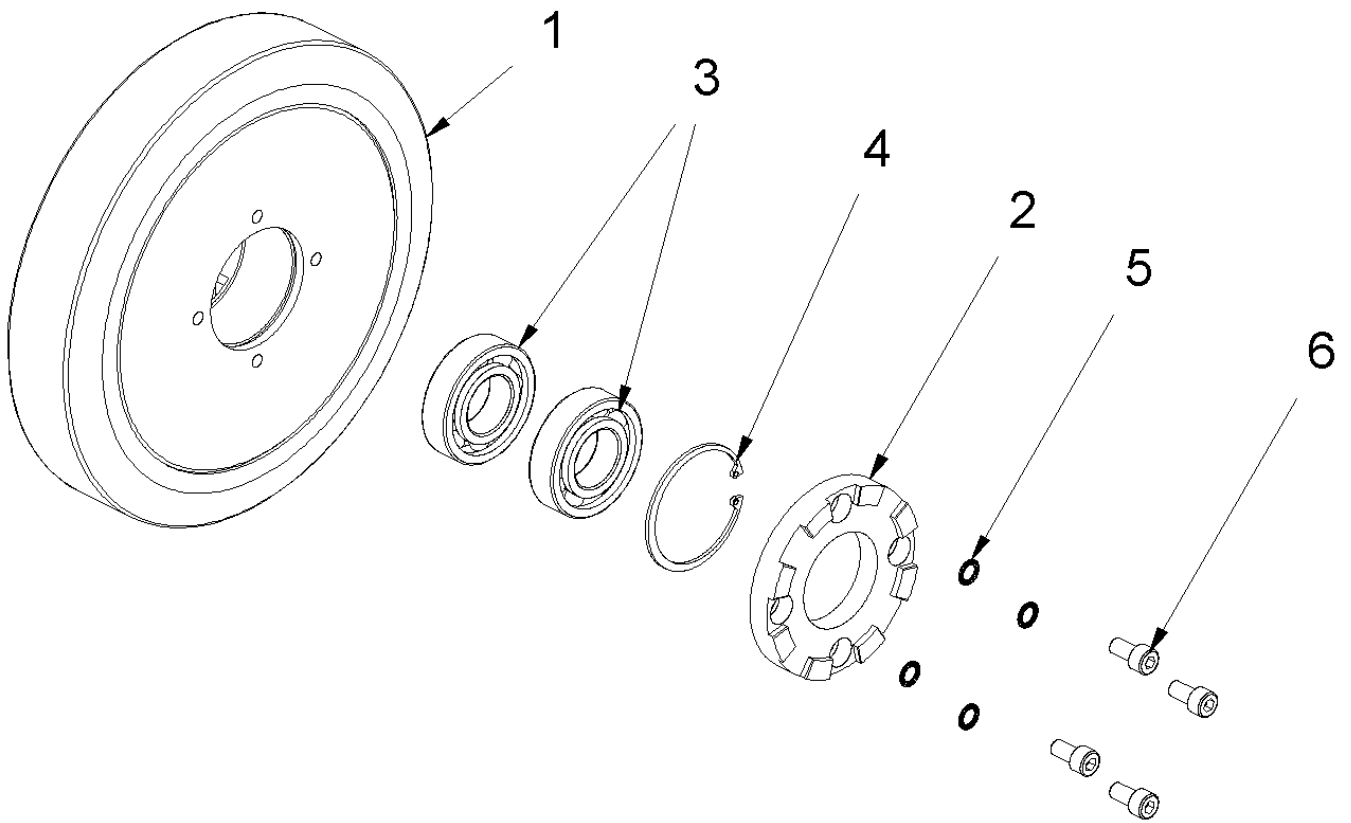
3 Drive unit

Item no.	Article no.	Description	Quantity
1	087731	Geared motor 1,5kW 230V BiTurbo	1
2	087611	Holder additional weights left BiTurbo	1
3	087608	Holder additional weights right BiTurbo	1
4	087718	Drive wheel complete Ø250 BiTurbo	2
5	087600	Handle holder BiTurbo	1
6	088619	Strut front additional weights BiTurbo	1
7	018724	Fitting bolt M 8x16 ISO7379	4
8	014672	Eye screw M10x35 DIN 444	4
9	087871	Pulley Bowden cable BiTurbo	2
10	087598	Strut behind additional weights BiTurbo	1
11	032752	Rubber metal buffer 40x10-M8x23 Typ D	8
12	166448	Operating capacitor Hydra 32µF BiTurbo	1
13	087836	Holder adjusting screw BiTurbo	1
14	088615	Adjusting screw Bowden cable slotted bot	1
15	088289	Capacitor 150µF 230V BiTurbo	1
16	014861	Washer M10	4
17	017693	Safety washer I19 DIN 472	2
18	087676	Drive Shaft Axle BiTurbo	1
19	073949	Feather key 8x7x70 DIN 6885	1
20	014888	Wheel pin 4,2mm galv.	2
21	087800	Washer 17 DIN 9021	2
22	039457	Feather key 8x7x40 DIN 6885	2
23	087751	Tooth coupling complete BiTurbo	2
24	014860	Schnorr Washer M8	14
25	014734	Cylinder head screw M8x20 DIN 912	6
26	088509	Countersunk bolt M10x16 DIN 7991 10.9	8
27	083696	Hexagonal screw M 10x20 DIN933 8.8 vz.	6
28	014853	Safety washer A30 DIN 471	4
29	017538	Ball bearing DIN625-626 6x19x6 2RS	2
30	087839	Cover Clutch BiTurbo	1
31	014859	Schnorr washer M6	4
32	014731	Cylinder head screw M6x25 DIN 912	2
33	088613	Bowden cable BiTurbo short	2
34	088614	Bowden cable BiTurbo long	1

3 Drive unit

Item no.	Article no.	Description	Quantity
35	087944	Wave spring Ø40xØ30x27	2
36	014829	Washer M10 DIN 125 A	4
37	018167	Hexagonal screw M10x 35 DIN 933	2
38	014817	Hexagon nut M10 DIN 985	2
39	088591	Pipe clamp Ø63" galva.verzinkt	2
40	166289	Pipe clamp 36-44 mm BiTurbo	1
41	017678	Cylinder head screw M6x30 DIN 912	1
42	088609	Protection plate BiTurbo	1
43	017724	Washer DIN 9021 6,4x18x1,6	2
44	014811	Hexagon nut M 10 DIN 934	4
45	014726	Cylinder head screw M6x12 DIN 912	5
46	014816	Hexagon nut M8 DIN 985	4
47	087602	SG Frame additional weights BiTurbo	2
48	014827	Washer M6 DIN 125 A	5
49	014815	Hexagon nut M6 DIN985	1
50	072951	Terminal connector 5-fold	1
51	050146	Connecting terminal 2-fold	1
52	087758	Cable glandSR-M 20x1,5/KB13-15mm	1
53	051948	Cable gland M20x1.5	1
54	088599	Seal insert multiple 2x6mm	1
55	050145	Connection terminal 3-fold	1
56	088883	Control cable Motor drive BiTurbo	1
57	088664	Cylinder head screw M 10x10 DIN 912	1
58	079862	safety washer M10	1
59	014730	Cylinder head screw M 6x20 DIN 912	2
60	014809	Hexagon nut M6 DIN 934	2
61	017724	Washer DIN 9021 6,4x18x1,6	3
62	014932	Rubber sleeve	1
63	171174	Gearbox BiTurbo MB2301 1:40	1
64	066929	Safety washer M 8	8
65	014735	Cylinder head screw M8x25 DIN 912	8

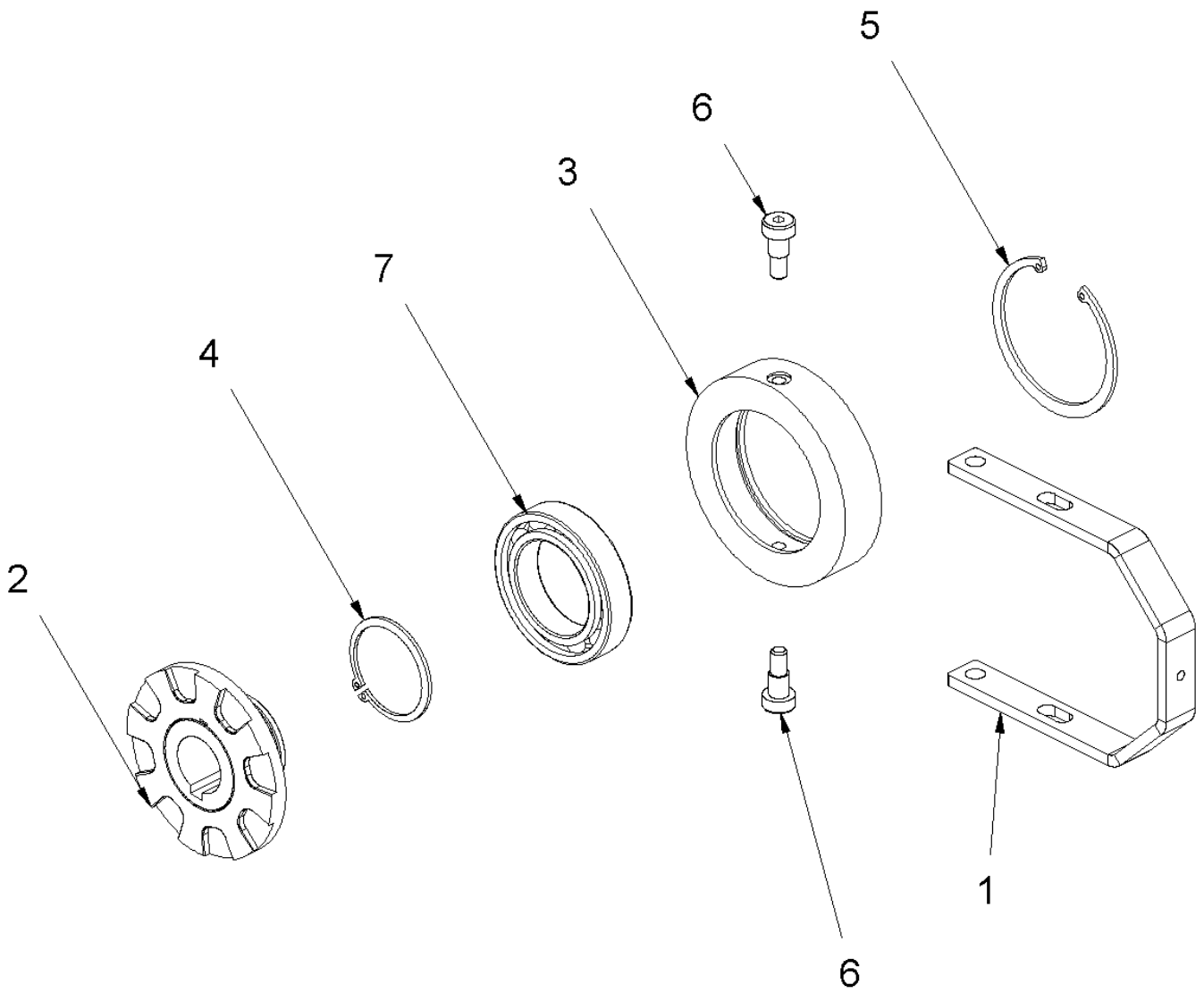
4 Drive wheel complete Ø250 BiTurbo



4 Drive wheel complete Ø250 BiTurbo

Item no.	Article no.	Description	Quantity
1	087876	Drive wheel Ø250mm BiTurbo	1
2	087704	Tooth clutch wheel Z8 BiTurbo	1
3	014710	Ball bearing 6206 2RS1 C3	2
4	014856	Safety washer I62 DIN 472	1
5	014860	Schnorr Washer M8	4
6	017651	Cylinder head screw M8x16 DIN 912	4

23 Tooth coupling complete BiTurbo



23 Tooth coupling complete BiTurbo

Item no.	Article no.	Description	Quantity
1	087647	Clutch bracket BiTurbo	1
2	087748	BGTooth coupling Z8 axis BiTurbo	1
3	087694	Driving plate BiTurbo	1
4	087778	Looking ring A50 DIN 471	1
5	087777	Circlip I80 DIN 472	1
6	052936	Screw M8x12 DIN 7379	2
7	059064	Grooved ball bearing 6010 2RS C3 (EE 330	1

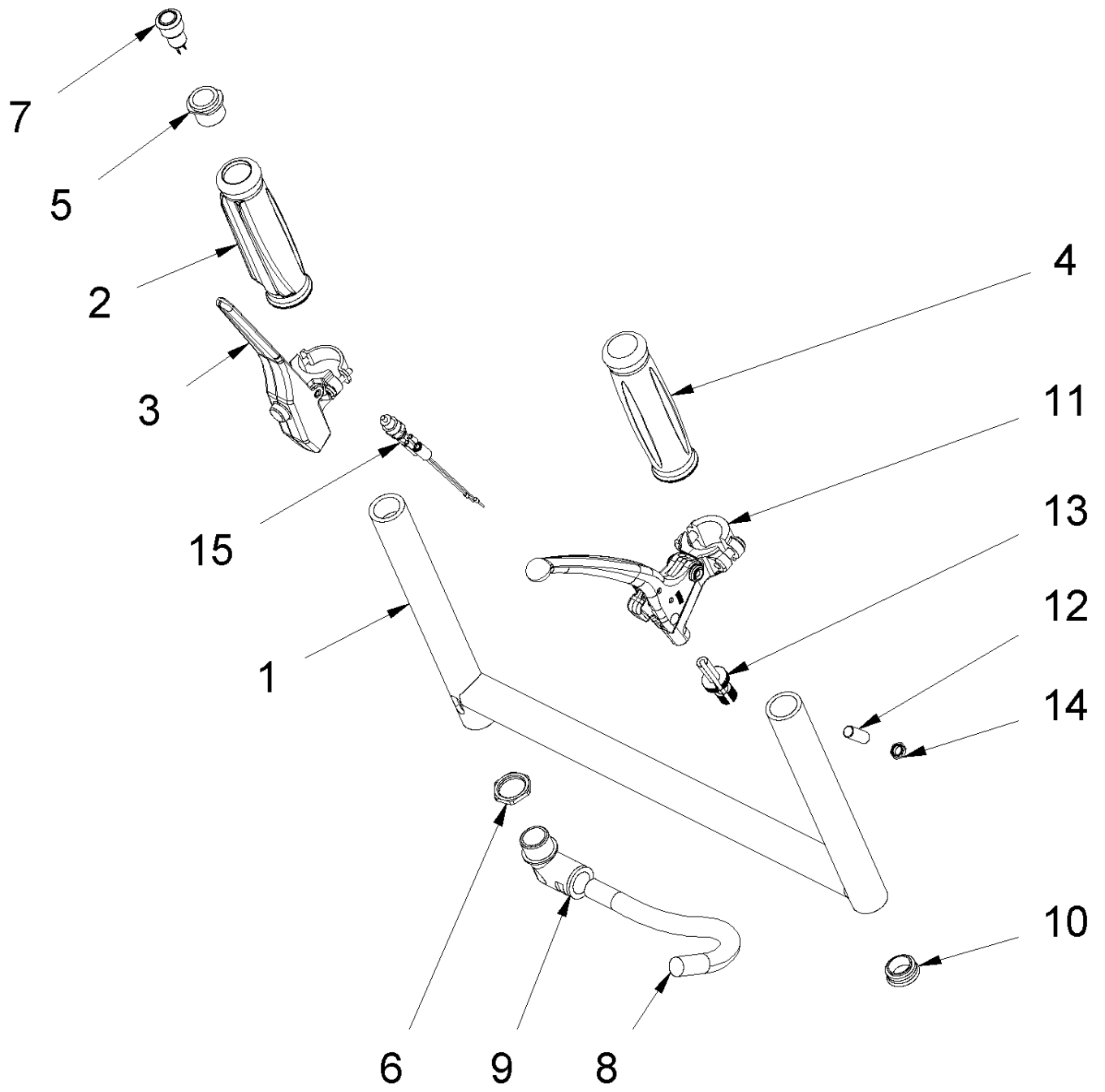
4 Handle

Item no.	Article no.	Description	Quantity
1	163924	Switch housing chill cast BiTurbo	1
2	082823	Cover MO with FU 230V BiTurbo	1
3	136966	Label emergency C-Stiel	1
4	014731	Cylinder head screw M6x25 DIN 912	4
5	088818	Switch 2-stage with cable BiTurbo	1
6	014859	Schnorr washer M6	4
7	088481	Control board BiTurbo	1
8	084731	Holder Service hour meter Typ 250	1
9	014650	Potentiometer 100kOhm with cable	1
10	088327	Terminal block 3,50mm 6 PIN Horizontal	1
11	088328	Terminal block 3,5mm 8 PIN horizontal	1
12	088330	Terminal block 3,5mm 5 PIN horizontal	1
13	088335	Terminal block 3,5mm 6 PIN vertical	1
14	088336	Terminal block 5mm 5 PIN vertical	2
15	088337	Terminal block 5mm 3 PIN horizontal	1
16	118141	Label Wolff 3D d80mm	1
17	087595	SG Inside tube BiTurbo	1
18	087649	Outer tube handle BiTurbo	1
19	084796	Cable gland SR-M 20x1,5KB11-13mm	1
20	087758	Cable glandSR-M 20x1,5/KB13-15mm	2
21	014860	Schnorr Washer M8	4
22	014735	Cylinder head screw M8x25 DIN 912	6
23	014829	Washer M10 DIN 125 A	2
24	088324	Spacer M2,5x10mm SW5 BiTurbo	4
25	088463	Cable gland NW16 M20x1,5	1
26	083696	Hexagonal screw M 10x20 DIN933 8.8 vz.	2
27	038638	LED for signal lamp	1
28	165609	Contact element shut NO Eaton screwed	1
29	017503	Adapterattachment	2
30	017499	Double pressure calipers	1
31	052443	Safety switch	1
32	088561	Washer M2,7 DIN 125 A	4
33	088576	Cylinder head screw M2,5x6 DIN 912 12.9	4
34	038581	Switch f.Dead-man-seized handle	1

4 Handle

Item no.	Article no.	Description	Quantity
35	088990	Handle complete BiTurbo	1
36	088988	Backstop complete BiTurbo	1
37	088884	Control cable striking mechanism handel	1
38	088882	Control cable Drive handel BiTurbo	1
39	154707	Label BiTurbo large handle	1
40	017452	Washer M4 DIN 125 B	1
41	014858	Schnorr washer M5	2
42	088833	Protective cap for flat plug 6.3 mm	1
43	066929	Safety washer M 8	2
44	014817	Hexagon nut M10 DIN 985	2
45	017549	Zylinder head screw M10x50 DIN 912	2
46	011775	Clamping piece inner tube BiTurbo	1
47	014861	Washer M10	4
48	169207	Front panel BiTurbo	1
49	161669	Cable support compl. BiTurbo	1
50	076873	XS Service hour meter 230V 50 Hz	1
51	165634	Contact element Opener NC Eaton screwed	2
52	056488	Lens head screw M4x 8	8
53	169201	Mounting plate chill cast	1
54	088801	Hexagon nut M2,5 DIN 934	4
55	088601	Mains filter 250V AC 16A BiTurbo	1
56	169492	Spacer Stud M4x10mm SW7 BiTurbo	4
57	017663	Tooth lock washer 4.3 Form A DIN 6797	1
58	014717	Cylinder head screw M4x10 DIN 912	1
59	017773	Hexagon nut M5 DIN 934	2
60	169490	Terminal block 5mm 4 PIN vertikal	1
61	014816	Hexagon nut M8 DIN 985	2
62	169491	Rotary knob with pointer black Poti	1
64			1
65	136969	Label arrow C-Stiel	1
66	018274	Cylinder head screw M5x8 DIN 912	2
67	088900	Supply cable BiTurbo	1
68	067749	cable retention	1

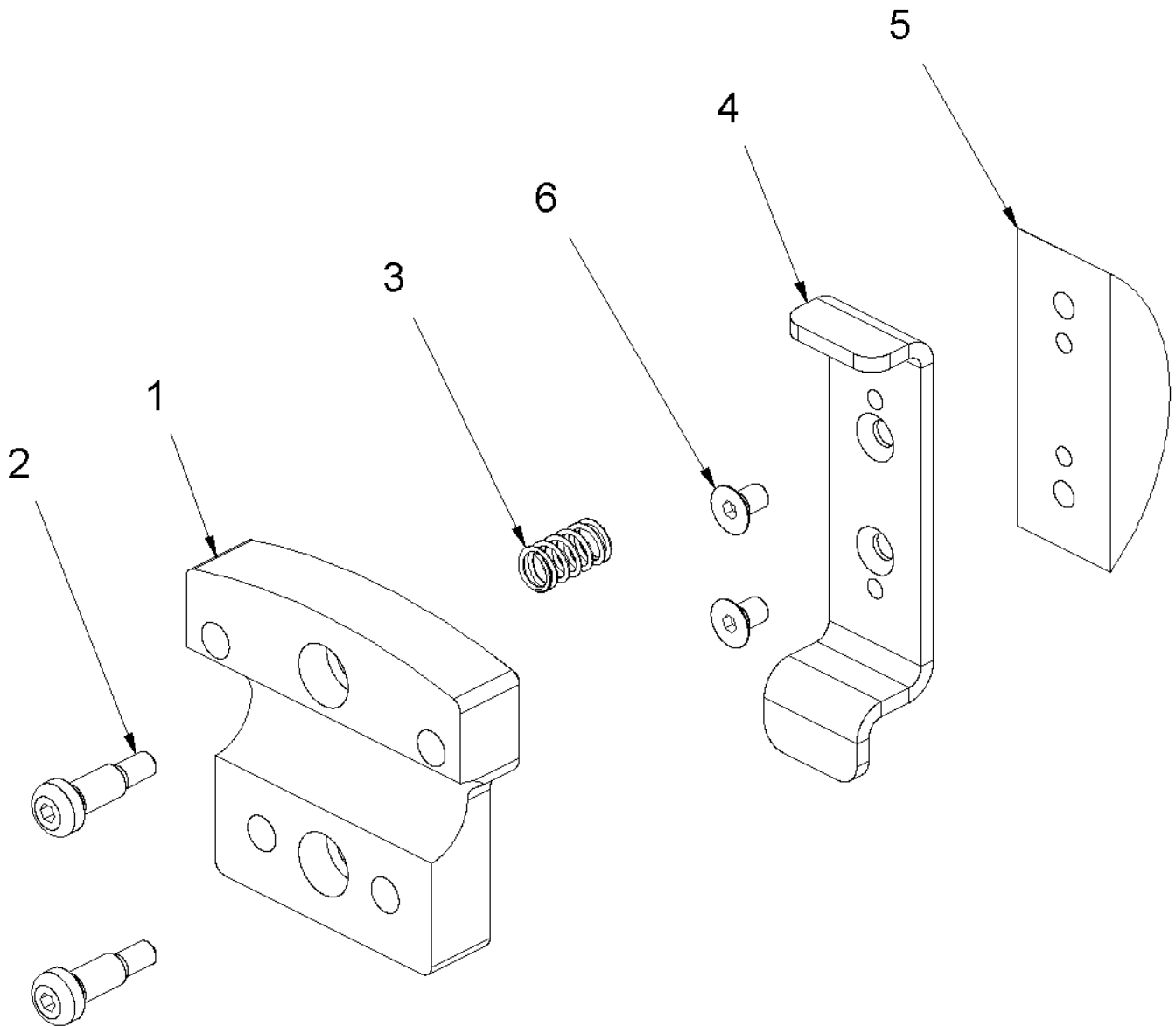
35 Handle complete BiTurbo



35 Handle complete BiTurbo

Item no.	Article no.	Description	Quantity
1	088318	Handle BiTurbo	1
2	087816	Grip covering Totman BiTurbo	1
3	032751	Dead-man-seized handle	1
4	069782	Grip covering left VarioSilent/CaymanSt	1
5	087817	Thread socket Pushbutton/switch BiTurbo	1
6	088345	Lock nut M20x1,5	1
7	087933	Reverse button BiTurbo	1
8	0159137		1
9	088344	Elbow fitting M20x1,5/1GY	1
10	017782	Stopper d19,0-21,5 x 11 black	1
11	088303	Clutch handle Magura BiTurbo	1
12	088616	headless pin M8x1x20 DIN 913	1
13	088618	Adjusting screw slotted M8x45	1
14	088617	Lock nut M8x1 DIN 439	1
15	088822	Switch deadman with cable BiTurbo	1

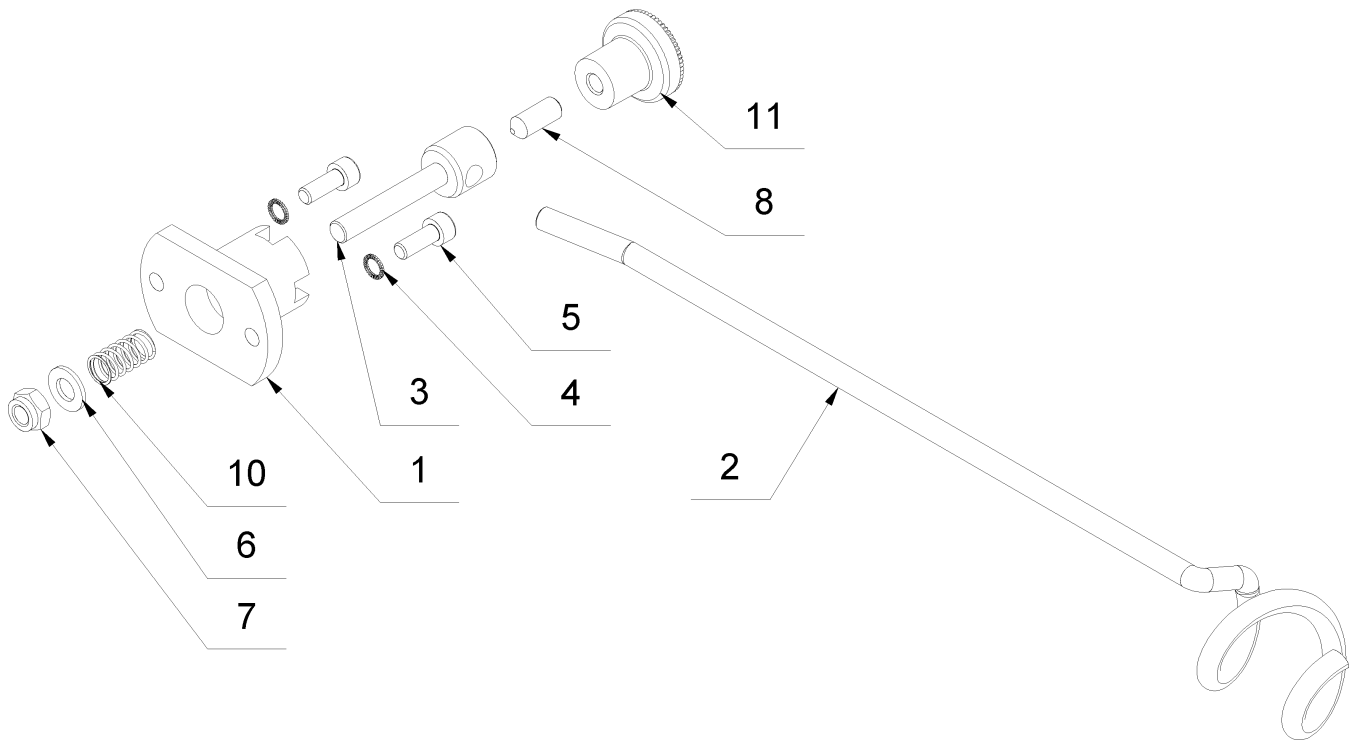
36 Backstop complete BiTurbo



36 Backstop complete BiTurbo

Item no.	Article no.	Description	Quantity
1	087787	Handle clamp BiTurbo	1
2	088761	Screw M6x16 DIN 7379	2
3	088816	Pressure spring VD-195A-15 Ø11x20xØ1,25	1
4	088696	Backstop Plate BiTurbo	1
5	088721	Backstop mushroom BiTurbo	1
6	017726	Countersunk screw M6x10 DIN 7991 10.9	2

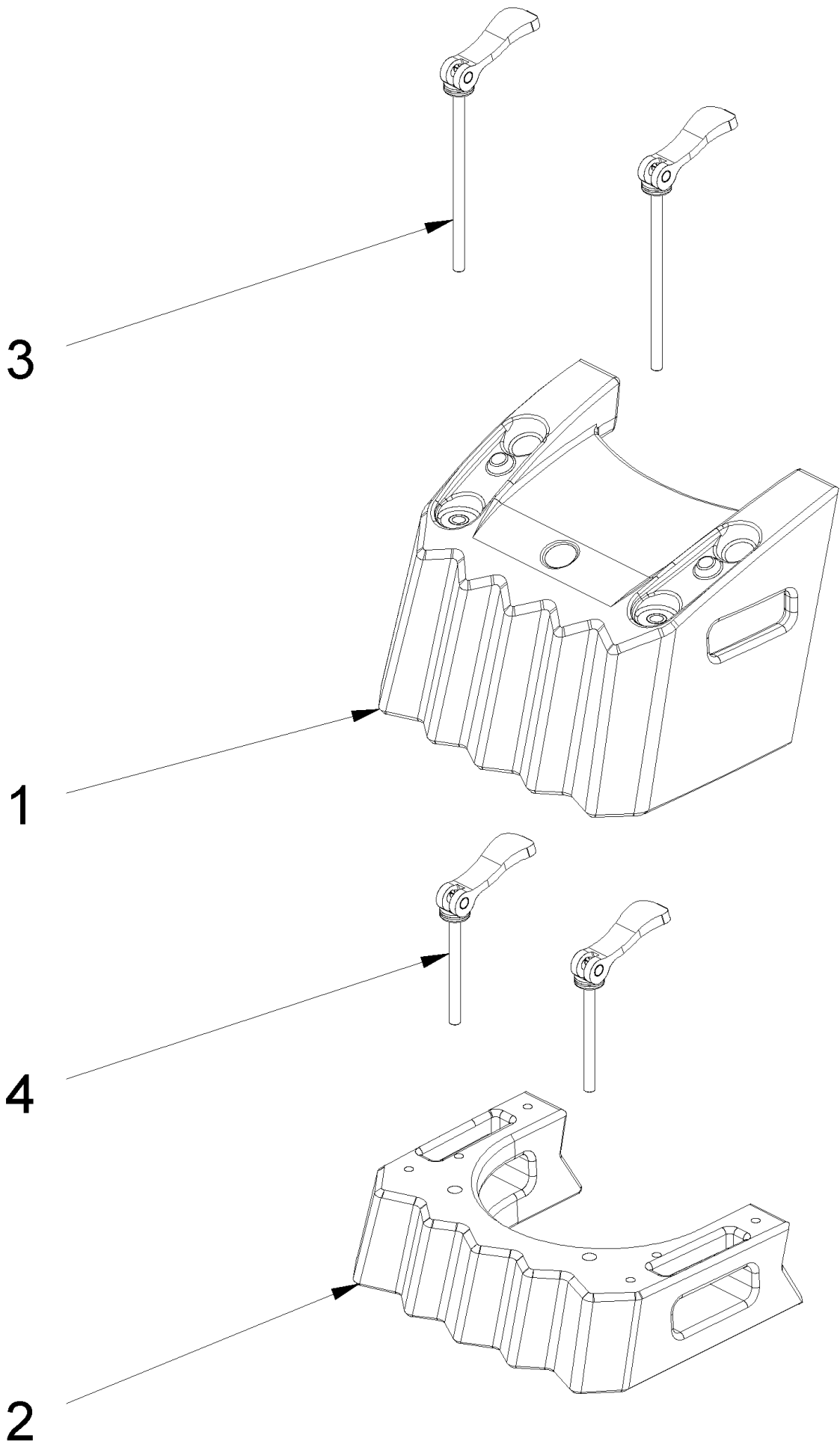
49 Cable support compl. BiTurbo



49 Cable support compl. BiTurbo

Item no.	Article no.	Description	Quantity
1	161665	Sleeve Cantilever arm BiTurbo	1
2	161668	Cable support arm BiTurbo	1
3	161667	Bolt Cable extension BiTurbo	1
4	014859	Schnorr washer M6	2
5	014729	Cylinder head screw M 6x16 DIN 912	2
6	014828	Washer M8 DIN 125 A	1
7	014816	Hexagon nut M8 DIN 985	1
8	018178	headless pin M 8x20 DIN 914	1
10	017557	Pressure spring D151B / 11x22x1	1
11	161661	Knurled knob M8x31 black	1

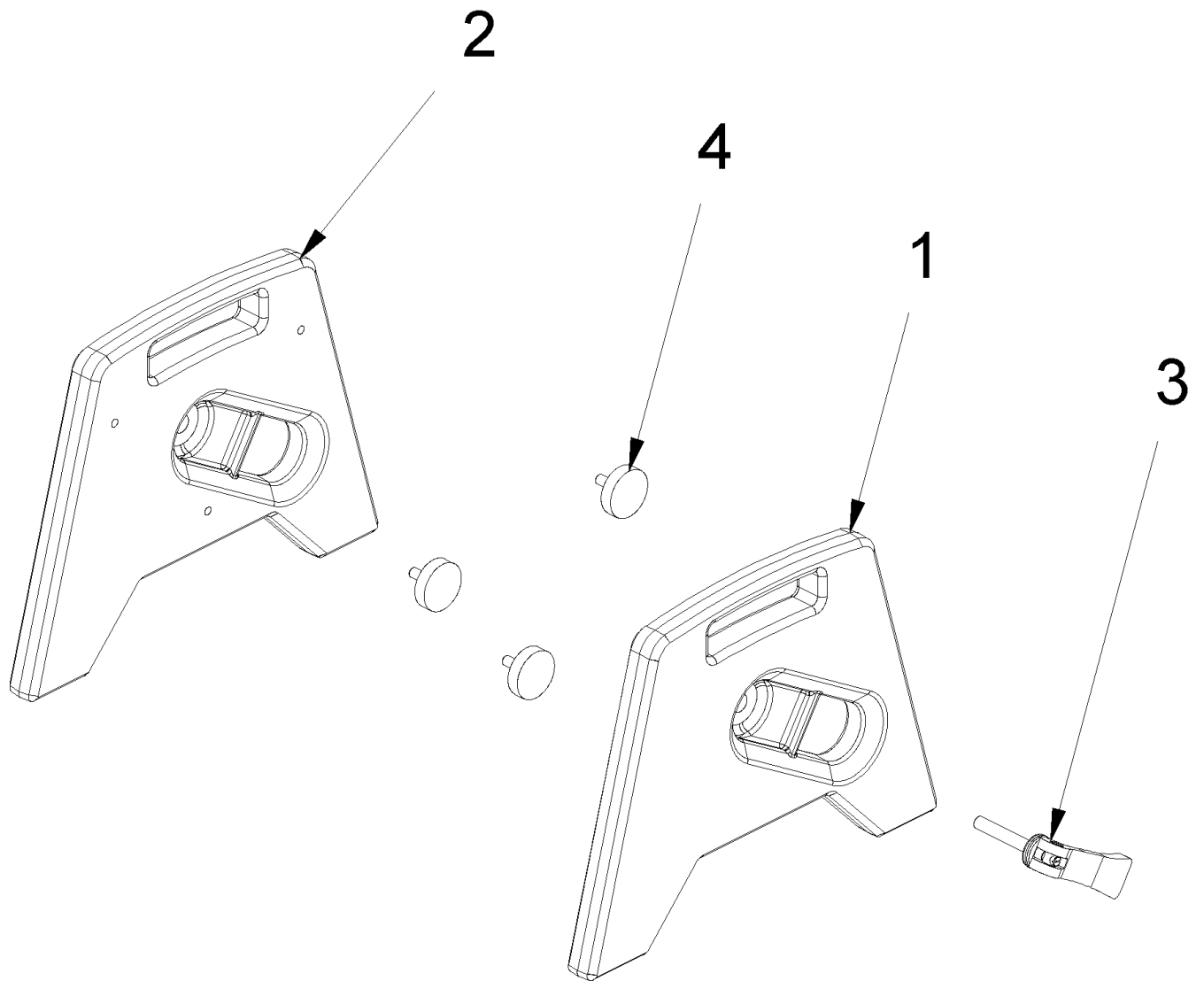
5 Front weights



5 Front weights

Item no.	Article no.	Description	Quantity
1	087834	Additional weight front top BiTurbo	1
2	087835	Additional weight front bottom BiTurbo	1
3	087887	Eccentric lever length M10x185mm	2
4	087886	Eccentric lever length M10x110mm	2

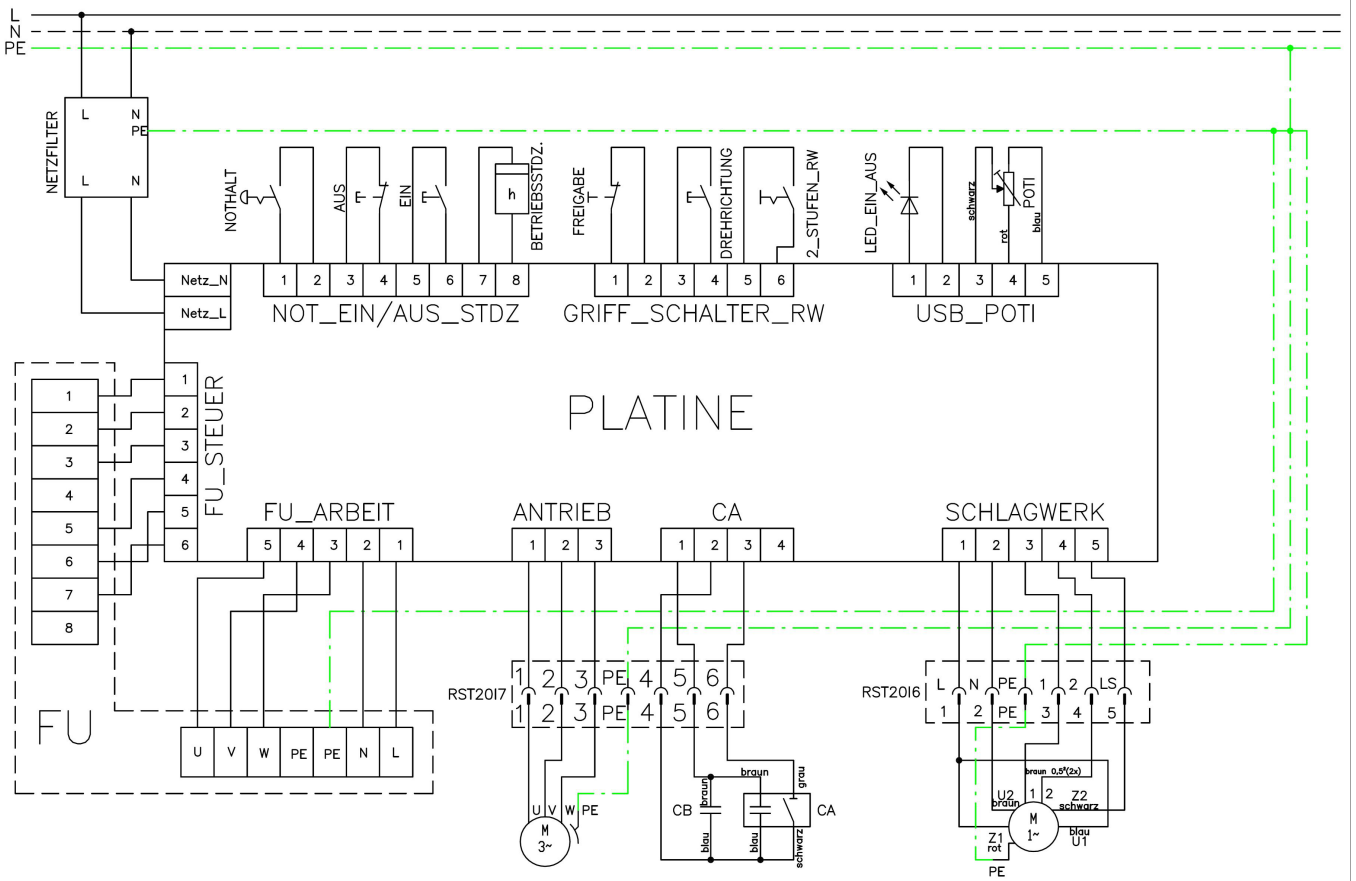
6 Rear weights



6 Rear weights

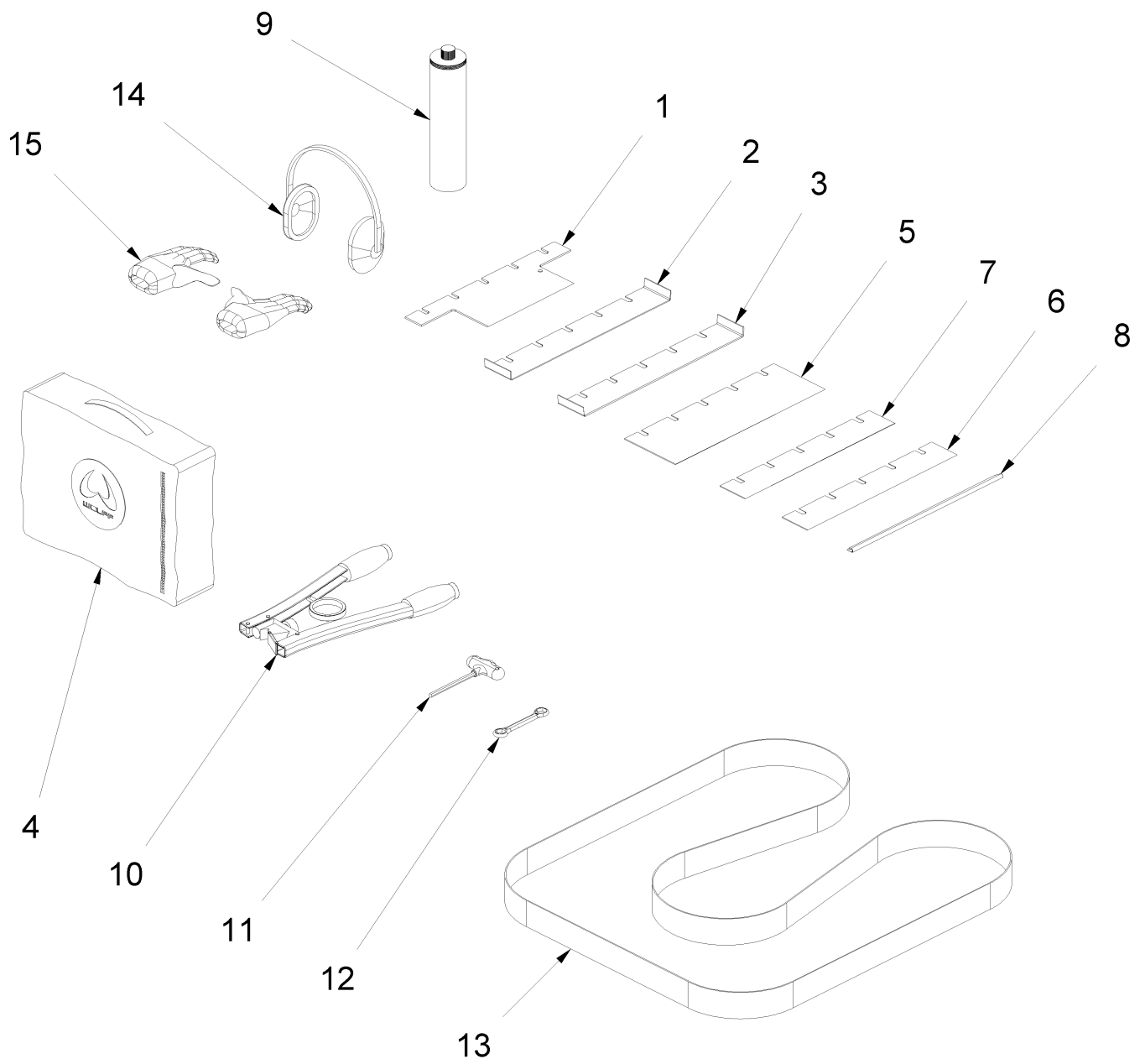
Item no.	Article no.	Description	Quantity
1	087833	Additional weight outside rear BiTurbo	2
2	088442	Additional weight rear inside BiTurbo	2
3	087885	Eccentric lever length M10x60mm	2
4	032752	Rubber metal buffer 40x10-M8x23 Typ D	6

7 Circuit diagram



7 Circuit diagram

8 Tool kit



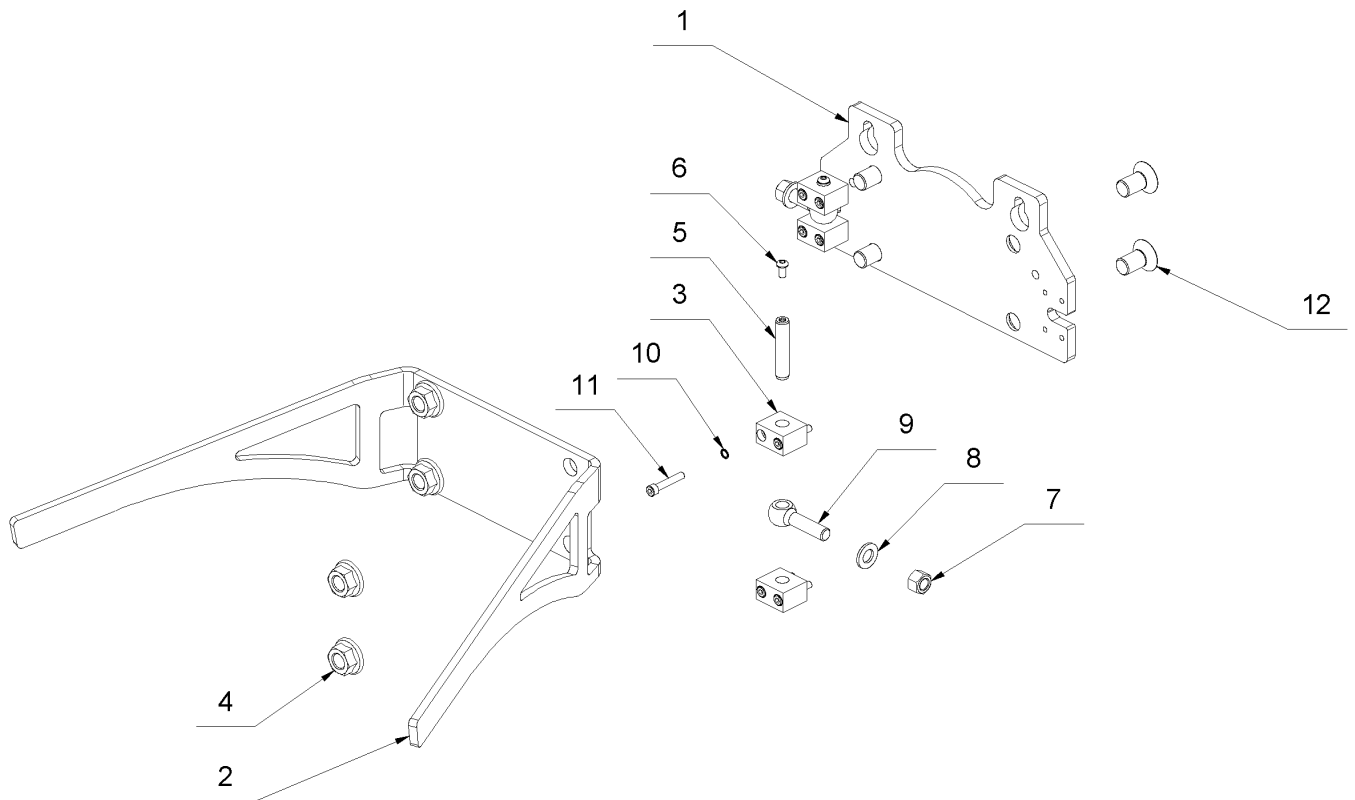
8 Tool kit

Item no.	Article no.	Description	Quantity
1	079637	Parquet blade 200x120x3	1
2	038933	U-Blade 350mm bottom cutting edge	1
3	013983	U-Blade 350mm top cutting edge	1
4	054064	Tool bag green - Wolff	1
5	013982	Spare blade, 350 x 120 x 1,5 mm	1
6	013978	Spare blades, 350 x 60 x 1,0 mm, 10 pcs.	1
7	013979	Spare blades, 350 x 60 x 1,5 mm, 10 pcs.	1
8	017647	Blade protection 350mm	1
9	087733	Lagermeister WHS 2002 500g SR-cartridge	1
10	087466	Two-hand grease gun SEE 176568	1
11	019141	T-handle 6-kt SW 6	1
12	088851	Double ratchet wrench SW17/19	1
13	088742	Round sling 1000 kg	1
14	015315	Hearing protectors	1
15	015809	Safety gloves 1 pair	1
16	087952	Operating Manual BiTurbo DE,EN,FR	1

9 Accessories

Item no.	Article no.	Description	Quantity
1	013978	Spare blades, 350 x 60 x 1,0 mm, 10 pcs.	1
2	013979	Spare blades, 350 x 60 x 1,5 mm, 10 pcs.	1
3	013980	Spare blades, 200 x 60 x 1,5 mm, 10 pcs.	1
4	013981	Spare blades, 150 x 60 x 1,5 mm, 10 pcs.	1
5	013982	Spare blade, 350 x 120 x 1,5 mm	1
6	013983	U-Blade 350mm top cutting edge	1
7	038933	U-Blade 350mm bottom cutting edge	1
8	039362	Special blade, heavy type, 350 mm	1
9	079634	Parquet knife 350x150x3	1
9	079636	Parquet knife 350x120x3	1
10	079635	Parquet blade 350x150x3 toothed	1
10	079637	Parquet blade 200x120x3	1
11	079638	Parquet blade 100x120x3 toothed	1
12	079639	Parquet blade 350x120x3 thooted	1
13	081205	Blade 350 x 60 x 1,5 mm serrated	1
14	080358	Parquet knife 350x150x3toothed w.def cpl	1
15	080359	Parquet knife 350x150x3 cpl.	1
16	062227	Running gear for Turbo	1
17	088300	Ergo Cutter Pro	1
18	015315	Hearing protectors	1
19	015809	Safety gloves 1 pair	1
20	036690	Extension cord 3G1,5x10 black Schuko	1
21	036742	Extension cord 3G1,5x10 black CH	1
22	054064	Tool bag green - Wolff	1
23	179133	Carrying aid BiTurbo	1

23 Carrying aid BiTurbo



23 Carrying aid BiTurbo

Item no.	Article no.	Description	Quantity
1	087622	Mounting plate Impact BiTurbo	1
2	179326	Hanger carrier BiTurbo	1
3	087708	Bearing bock bolt BiTurbo	4
4	073952	Locknut M16 DIN 6923	4
5	087771	Cylindrical pin 12x60 DIN 7979	2
6	017553	Lens head screw M6x12	2
7	018663	Hexagon nut M12 DIN 934	2
8	014830	Washer M12 DIN 125 A	2
9	087770	Eye screw M12x55 DIN 444	2
10	014859	Schnorr washer M6	8
11	018264	Cylinder head screw M 6x35 DIN 912	8
12	073954	Countersunk screw M16x30 DIN 7991 10.9	4