



spare parts list Duro 230V EU



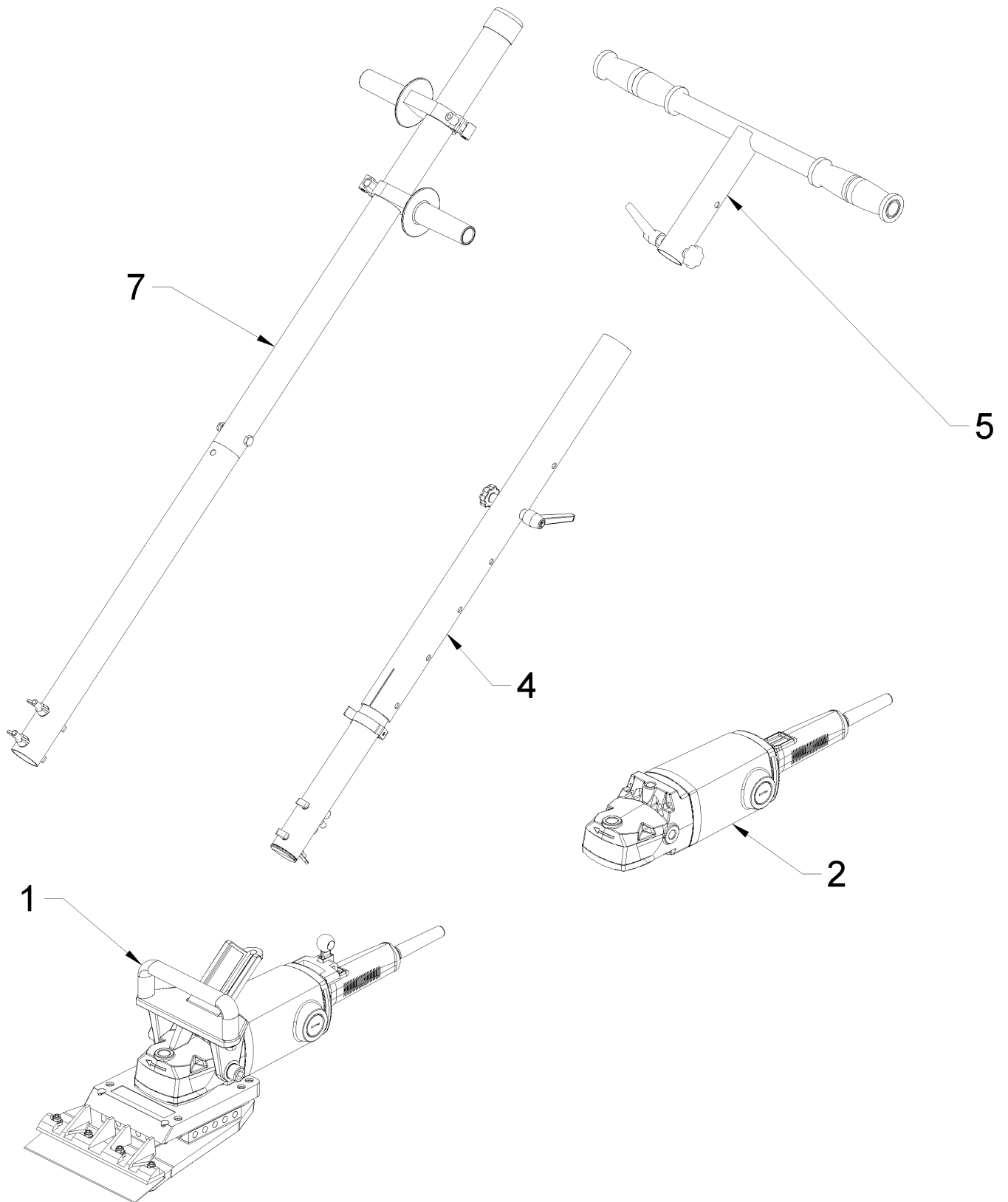
Table of contents

| | |
|-----------------------------------|-----|
| 1 Duro Stripper (1990-10/1996) | 4 |
| 1 Basic machine | 6 |
| 15 Blade holder set ECO | 9 |
| 2 Motor | 11 |
| 4 Handle tube | 14 |
| 5 Handle bar | 16 |
| 7 Handle tube special | 18 |
| 8 Circuit diagram | 20 |
| 9 Tool kit | 22 |
| 10 Accesories | 24 |
| 2 Duro Stripper (11/1996-05/2000) | 25 |
| 1 Basic machine | 27 |
| 15 Blade holder set ECO | 30 |
| 2 Motor | 32 |
| 3 Carriage | 35 |
| 4 Handle tube | 37 |
| 5 Handle bar | 39 |
| 7 Handle tube special | 41 |
| 8 Circuit diagram | 43 |
| 9 Tool kit | 45 |
| 10 Accesories | 47 |
| 3 Duro Stripper (06/2000-12/2001) | 48 |
| 1 Basic machine | 50 |
| 15 Blade holder set ECO | 53 |
| 2 Motor | 55 |
| 3 Carriage | 58 |
| 4 Handle tube | 60 |
| 5 Handle bar | 62 |
| 7 Handle tube special | 64 |
| 8 Circuit diagram | 66 |
| 9 Tool kit | 68 |
| 10 Accesories | 70 |
| 4 Duro Stripper (01/2002-08/2004) | 71 |
| 1 Basic machine | 73 |
| 15 Blade holder set ECO | 76 |
| 2 Motor | 78 |
| 3 Carriage | 81 |
| 4 Handle tube | 83 |
| 5 Handle bar | 85 |
| 7 Handle tube special | 87 |
| 8 Circuit diagram | 89 |
| 9 Tool kit | 91 |
| 10 Accesories | 93 |
| 5 Duro Stripper (09/2004-07/2014) | 94 |
| 1 Basic machine | 96 |
| 15 Blade holder set ECO | 99 |
| 2 Motor | 101 |
| 3 Carriage | 104 |
| 4 Handle tube | 106 |
| 5 Handle bar | 108 |
| 6 Tripus handle bar | 110 |
| 7 Handle tube special | 112 |
| 8 Circuit diagram | 114 |
| 9 Tool kit | 116 |
| 10 Accesories | 118 |
| 6 Duro Stripper (08/2014-09/2017) | 119 |
| 1 Basic machine | 121 |
| 15 Blade holder set ECO | 124 |

Table of contents

| | |
|---|-----|
| 2 Motor | 126 |
| 3 Carriage | 129 |
| 4 Handle tube | 131 |
| 5 Handle bar | 133 |
| 6 Tripus handle bar | 135 |
| 7 Handle tube special | 137 |
| 8 Circuit diagram | 139 |
| 9 Tool kit | 141 |
| 10 Accesories | 143 |
| 7 Duro Stripper (10/2017-01/2018) | 144 |
| 1 Basic machine | 146 |
| 15 Blade holder set ECO | 149 |
| 2 Motor | 151 |
| 3 Carriage | 154 |
| 4 Handle tube | 156 |
| 5 Handle bar | 158 |
| 6 Tripus handle bar | 160 |
| 7 Handle tube special | 162 |
| 8 Circuit diagram | 165 |
| 9 Tool kit | 167 |
| 10 Accesories | 169 |
| 1 Duro Stripper 2.0 (01/2018 - 12/2021) | 170 |
| 1 Basic machine | 172 |
| 15 Blade holder set ECO | 175 |
| 2 Motor | 177 |
| 3 Carriage | 180 |
| 4 Handle tube | 182 |
| 5 Handle bar | 184 |
| 6 Tripus handle bar | 186 |
| 7 Handle tube special | 188 |
| 8 Circuit diagram | 191 |
| 9 Tool kit | 193 |
| 10 Accesories | 195 |
| 2 Duro Stripper 2.1 (12/2021 - up to now) | 196 |
| 1 Basic machine | 198 |
| 15 Blade holder set ECO | 201 |
| 2 Motor | 203 |
| 3 Carriage | 206 |
| 4 Handle tube | 208 |
| 5 Handle bar | 210 |
| 6 Tripus handle bar | 212 |
| 7 Handle tube special | 214 |
| 8 Circuit diagram | 217 |
| 9 Tool kit | 219 |
| 10 Accesories | 221 |

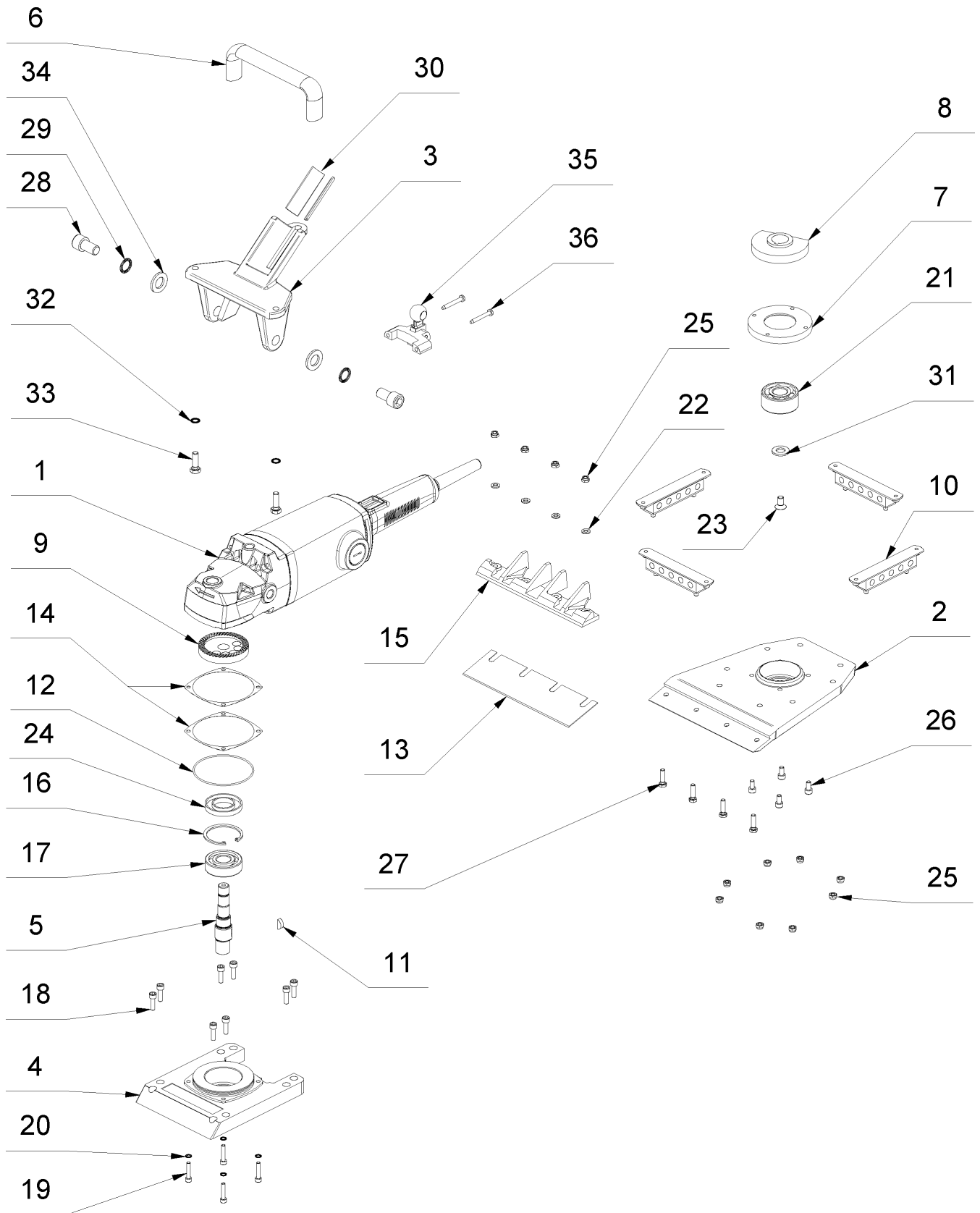
1 Duro Stripper (1990-10/1996)



1 Duro Stripper (1990-10/1996)

| Item no. | Article no. | Description |
|----------|--------------|---------------------|
| 1 | 01_01_013347 | Basic machine |
| 2 | 01_02_013347 | Motor |
| 4 | 01_04_085139 | Handle tube |
| 5 | 01_05_015026 | Handle bar |
| 7 | 01_07_015027 | Handle tube special |
| 8 | 01_08_013347 | Circuit diagram |
| 9 | 01_09_015024 | Tool kit |
| 10 | 01_10_013347 | Accesories |

1 Basic machine



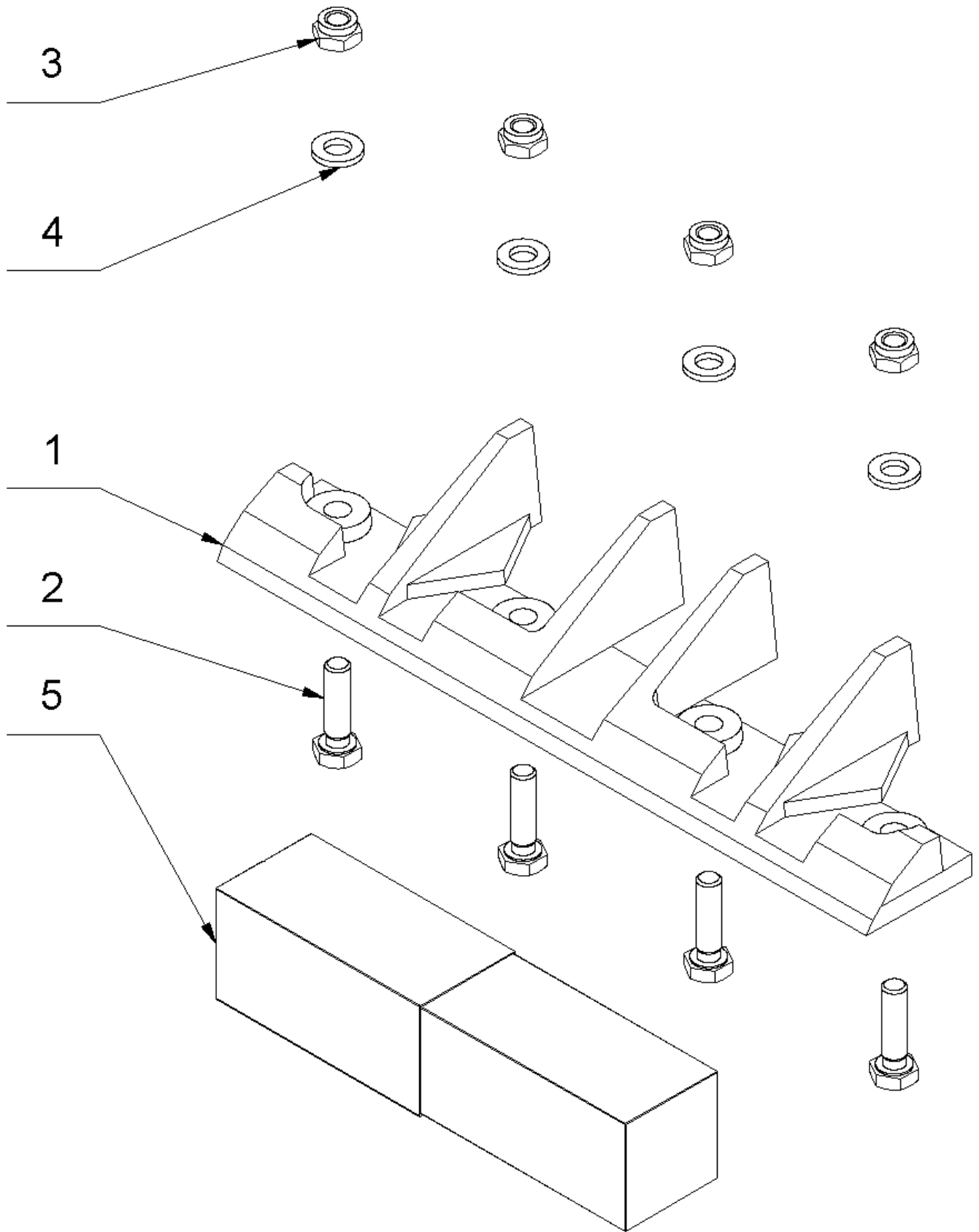
1 Basic machine

| Item no. | Article no. | Description | Quantity |
|----------|-------------|--|----------|
| 1 | 015021 | Motor DURO 230V SEE 085880 | 1 |
| 1 | 017567 | Motor230V reinorange RAL2004 SEE 85883 | 1 |
| 1 | 021593 | Motor 230V yellow RAL1028 SEE 85883 | 1 |
| 1 | 017827 | Motor 230V red RAL3000 SEE 85883 | 1 |
| 2 | 015221 | Striking foot DURO/ECO/Primo | 1 |
| 3 | 015227 | Grip Frame DURO | 1 |
| 4 | 015224 | Bearing plate DURO | 1 |
| 4 | 017846 | Bearing plate Duro orange RAL 2004 | 1 |
| 4 | 021585 | Bearing plate Duro yellow RAL 1028 | 1 |
| 4 | 017844 | Bearing plate Duro red RAL 3000 | 1 |
| 5 | 076729 | Excenter shaft DURO w.nut key from 2014 | 1 |
| 6 | 087346 | Grip 160mm Duro 2.0 | 1 |
| 7 | 015233 | Flange DURO | 1 |
| 8 | 015225 | Balance Disc DURO | 1 |
| 9 | 015234 | Crown wheel Duro | 1 |
| 10 | 014931 | Rubber Bearing Duro/Eco/Primo-Stripper | 4 |
| 11 | 014905 | Spring washer 5x6,5 DIN 6888 | 1 |
| 12 | 015218 | Sealing ring Motor Duro 2.0 | 1 |
| 13 | 013345 | Spare blades, 210 x 60 x 1 mm Duro/Vario | 1 |
| 14 | 016944 | Distance ring 0,3 mm Motor Duro 2.0 | 2 |
| 15 | 036009 | Blade holder set ECO | 1 |
| 16 | 014857 | Safety washer I52 DIN 472 | 1 |
| 17 | 014711 | Ball bearing 6304 | 1 |
| 18 | 014752 | Cylinder head screw M6x20DIN 912 microve | 8 |
| 19 | 014722 | Cylinder head screw M 5x25 DIN 912 | 4 |
| 20 | 014858 | Schnorr washer M5 | 4 |
| 21 | 014674 | Ball bearing 3304 2RSC3 | 1 |
| 22 | 014827 | Washer M6 DIN 125 A | 4 |
| 23 | 014764 | Countersunk screw M8x16 DIN7991 micro | 1 |
| 24 | 014847 | Shaft seal A28x52x7 NBR | 1 |
| 25 | 014815 | Hexagon nut M6 DIN985 | 12 |
| 26 | 014751 | Cylinder head screw M6x14 DIN 912 mikrov | 4 |
| 27 | 014772 | Hexagon head bolt M 6x22 DIN 933 | 4 |
| 28 | 014745 | Cylinder head screw M14x25 DIN 912 | 2 |

1 Basic machine

| Item no. | Article no. | Description | Quantity |
|----------|-------------|-----------------------------|----------|
| 29 | 014863 | Schnorr Washer M14 | 2 |
| 30 | 014932 | Rubber sleeve | 1 |
| 31 | 014830 | Washer M12 DIN 125 A | 1 |
| 32 | 014860 | Schnorr Washer M8 | 2 |
| 33 | 014775 | Hexagon bolt M 8x25 DIN 933 | 2 |
| 34 | 017741 | Washer M14 DIN 125 | 2 |
| 35 | 015023 | Switch lever Duro | 1 |
| 36 | 014797 | Countersunk screw 5,0x60 | 2 |

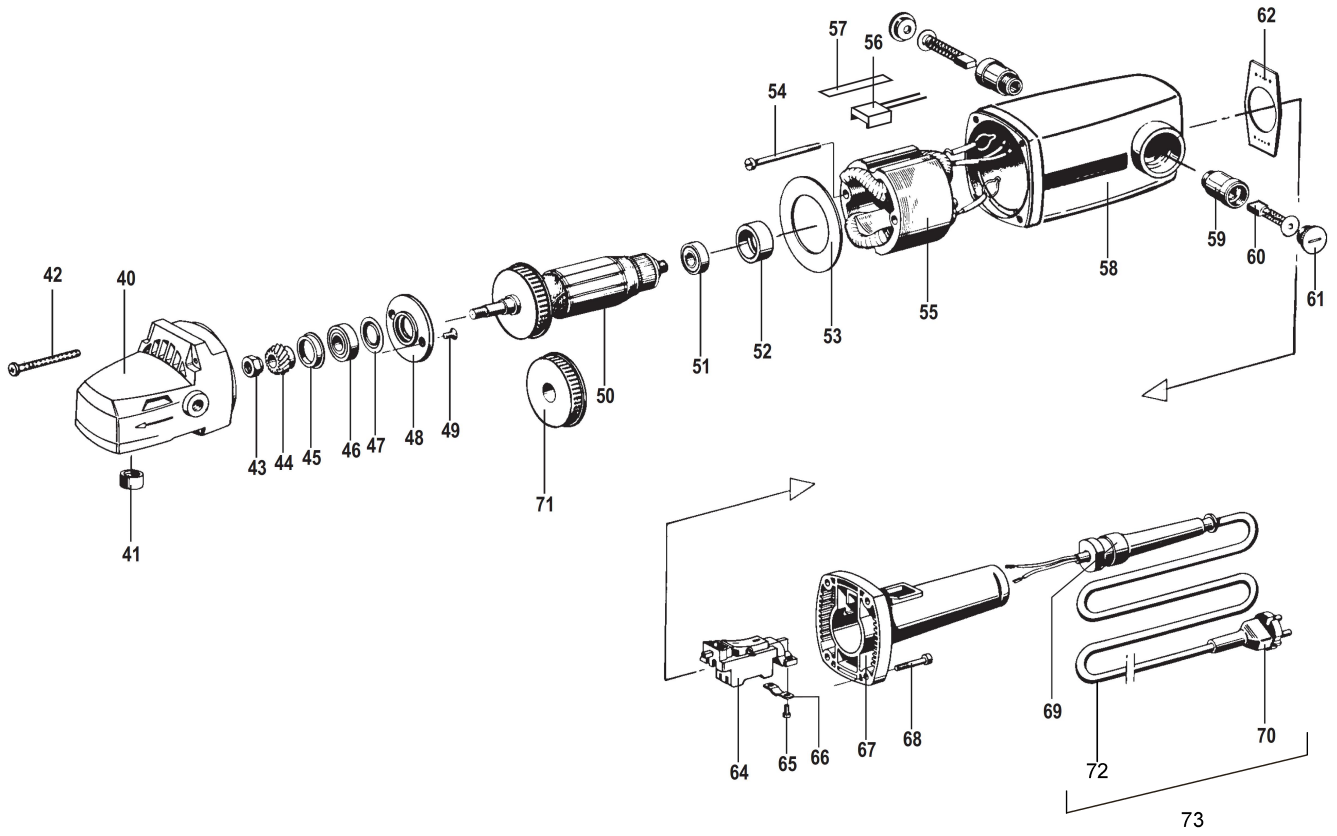
15 Blade holder set ECO



15 Blade holder set ECO

| Item no. | Article no. | Description | Quantity |
|----------|-------------|--|----------|
| 1 | 015223 | Deflector new Duro/Vario/Eco/Primo | 1 |
| 2 | 014772 | Hexagon head bolt M 6x22 DIN 933 | 4 |
| 3 | 014815 | Hexagon nut M6 DIN985 | 4 |
| 4 | 014827 | Washer M6 DIN 125 A | 4 |
| 5 | 014962 | Plastic box 30x65 SM1200/SM800/Duro/LS | 1 |

2 Motor



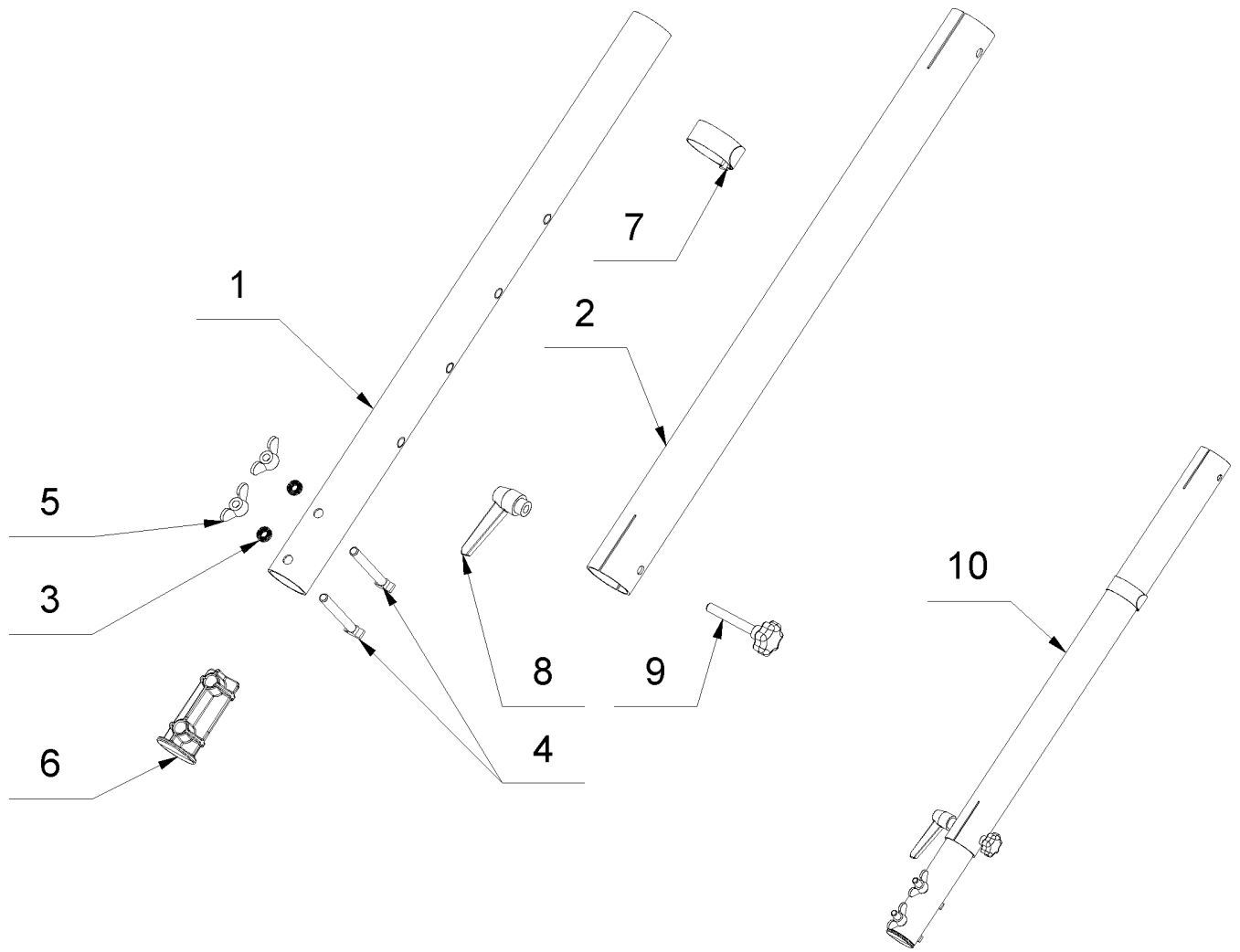
2 Motor

| Item no. | Article no. | Description | Quantity |
|----------|-------------|--|----------|
| 35 | 015023 | Switch lever Duro | 1 |
| 36 | 014797 | Countersunk screw 5,0x60 | 2 |
| 38 | 019014 | Tooth washer V 5,3 DIN 6798 | 2 |
| 40 | 015189 | Gear Block Housing Motor Duro | 1 |
| 41 | 015190 | Needle bearing HK 1512 Motor Duro 2.0 | 1 |
| 42 | 015191 | Cylinder head screw special M5x45 | 4 |
| 43 | 015192 | Hexagon nut M10 fine thread | 1 |
| 44 | 015193 | Pinion gear Duro '44 | 1 |
| 45 | 015194 | Sealing ring Flex BS180/Duro | 1 |
| 46 | 014709 | Ball-bearing 6202 | 1 |
| 47 | 015195 | Sealing ring Flex BS180/Duro | 1 |
| 48 | 015196 | Cover Flex BS180/Duro | 1 |
| 49 | 016312 | Countersunk bolt M5x16 DIN 7991 10.9 | 1 |
| 50 | 015198 | Armature 230 V compl. Duro/Flex | 1 |
| 51 | 014701 | Ball-bearing 6001 2RSC3 | 1 |
| 52 | 015199 | Bearing ring BS180/Duro | 1 |
| 53 | 015200 | Air guide Flex BS180/Duro | 1 |
| 54 | 019523 | Plastic Bolt 5x74 TX25 | 2 |
| 55 | 039398 | Magnetic field Flex BS180 | 1 |
| 56 | 015235 | Current limiter 230V 3adrig BIRO | 1 |
| 57 | 015202 | Insulation no longer available | 1 |
| 58 | 015203 | Motor case with carbon brush holder 230V | 1 |
| 59 | 015205 | Carbon brush holder 230V Duro | 2 |
| 60 | 016853 | Carbon brush 230 V Duro | 2 |
| 61 | 015207 | Carbon brush cap BS180/Duro | 2 |
| 62 | 015208 | Sealing Plate BS180/Duro | 1 |
| 64 | 015209 | Switch on/off Duro | 1 |
| 65 | 015210 | Lens head screw M 4x12 | 2 |
| 66 | 015211 | Cable clamp Motor Duro 2.0 | 1 |
| 67 | 015212 | Handle Duro | 1 |
| 68 | 014796 | Countersunk screw 5,0x50 | 2 |
| 69 | 015214 | Cable Sleeve | 1 |
| 70 | 039203 | Plug grey | 1 |
| 70 | 019165 | Plug 230V 3-polig Switzerland | 1 |

2 Motor

| Item no. | Article no. | Description | Quantity |
|----------|-------------|--|----------|
| 71 | 015216 | Fan Flex BS180/Duro | 1 |
| 72 | 042160 | Cable 2x2,5 ² x4m black SEE 15215 | 1 |
| 73 | 015215 | Cable 2x1 ² x4m black w.plug | 1 |
| 73 | 083110 | El.cord 2x1 ² x4m 230V w.plug CH | 1 |

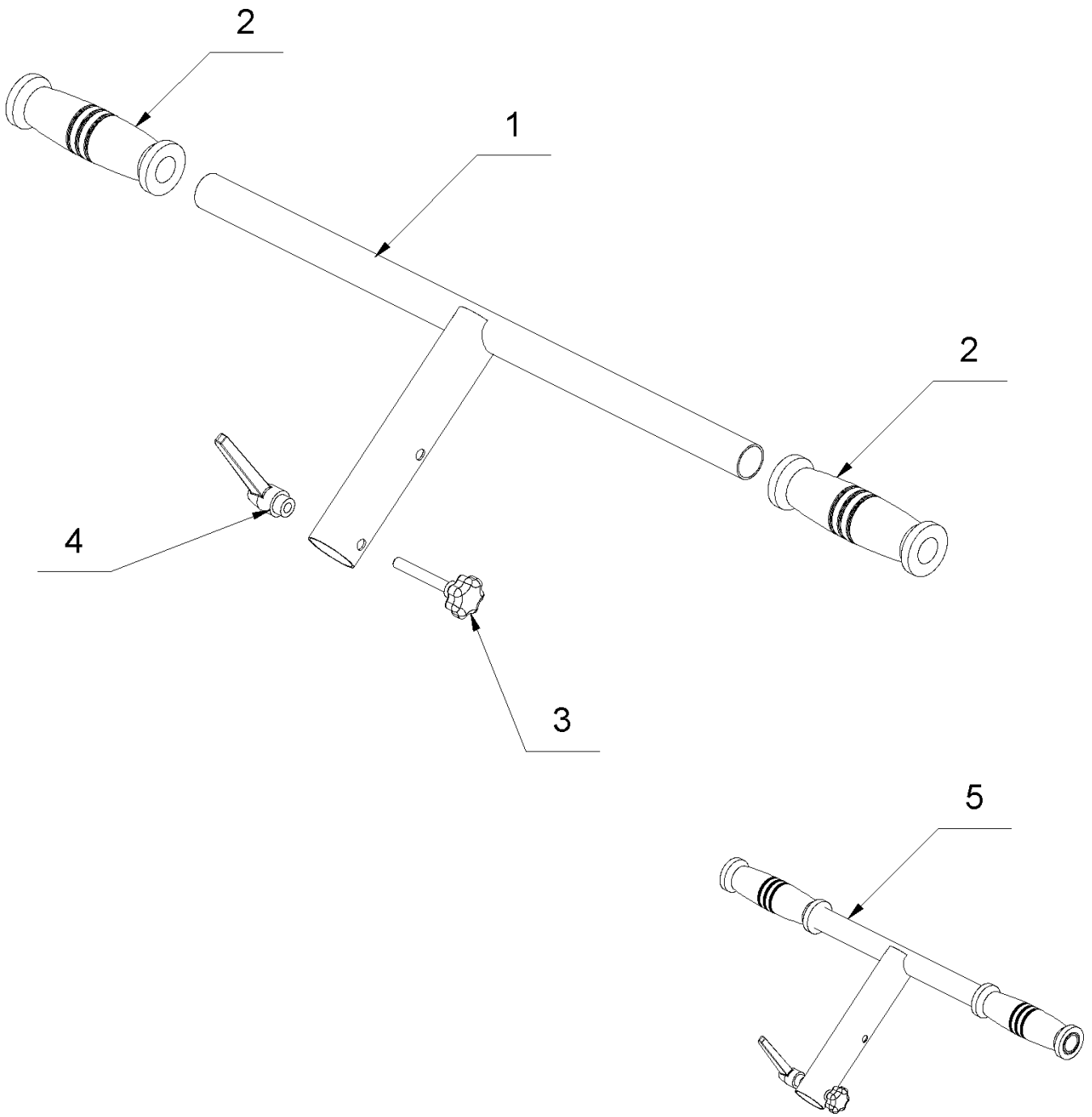
4 Handle tube



4 Handle tube

| Item no. | Article no. | Description | Quantity |
|----------|-------------|--------------------------------|----------|
| 1 | 015226 | Inner tube Duro | 1 |
| 2 | 085139 | Handle Tube cpl. Duro 2.0 | 1 |
| 3 | 014828 | Washer M8 DIN 125 A | 2 |
| 4 | 014768 | T-head bolt M8x70 DIN 186 A | 2 |
| 5 | 014824 | Wing nut M8 DIN 315 | 2 |
| 6 | 074423 | Stopper innertube Duro/EcoStr. | 1 |
| 7 | 178579 | Velcro cable tie 20cm black | 1 |
| 8 | 014877 | Clamping lever M8 Duro | 1 |
| 9 | 014919 | Star grip bolt M8x55 | 1 |
| 10 | 085139 | Handle Tube cpl. Duro 2.0 | 1 |

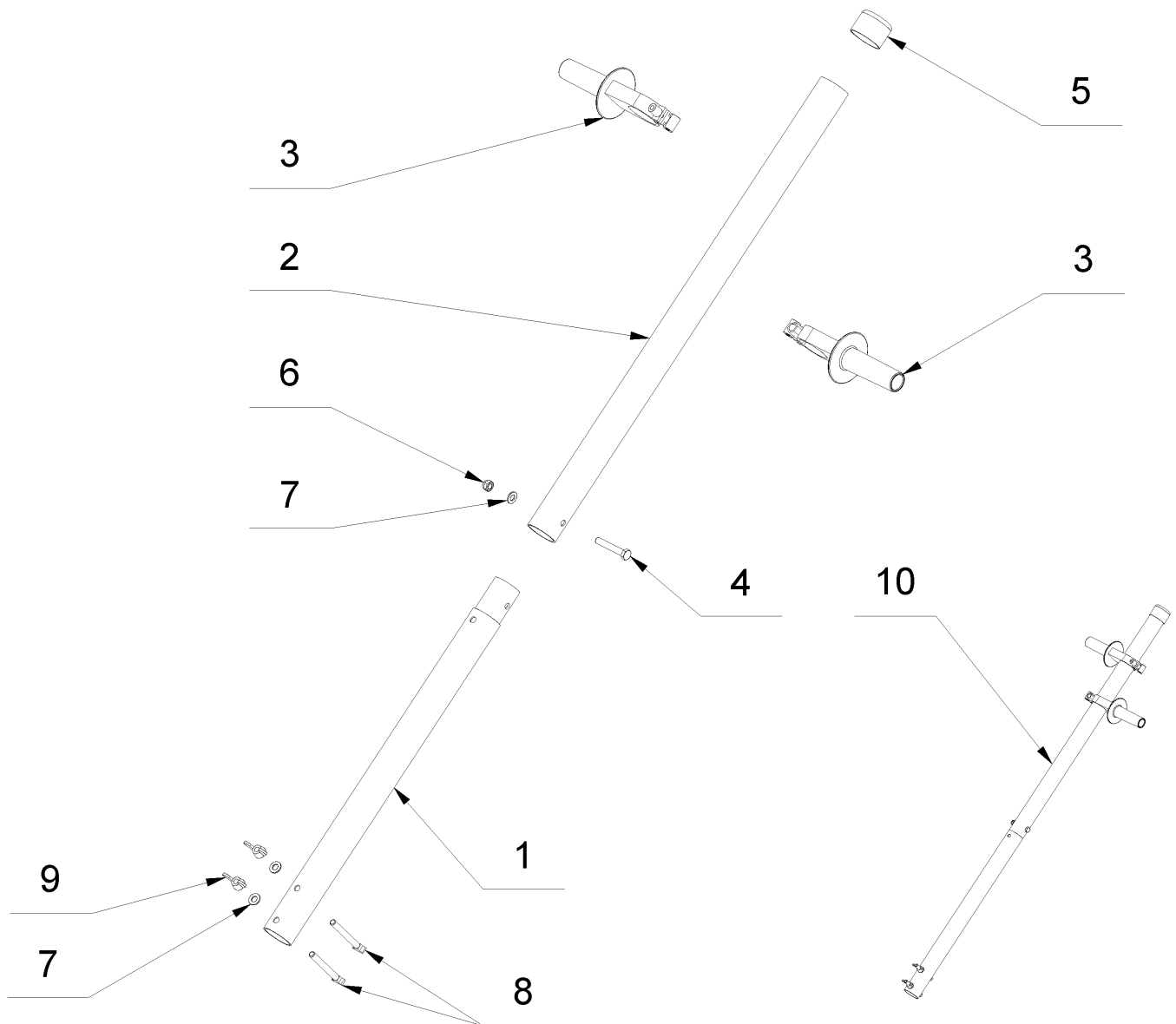
5 Handle bar



5 Handle bar

| Item no. | Article no. | Description | Quantity |
|----------|-------------|----------------------------|----------|
| 1 | 062780 | Transversal tube DURO JOKA | 1 |
| 2 | 014923 | Grip cover/foam | 2 |
| 3 | 014919 | Star grip bolt M8x55 | 1 |
| 4 | 014877 | Clamping lever M8 Duro | 1 |
| 5 | 015026 | T-Handle compl. DURO/ECO | 1 |

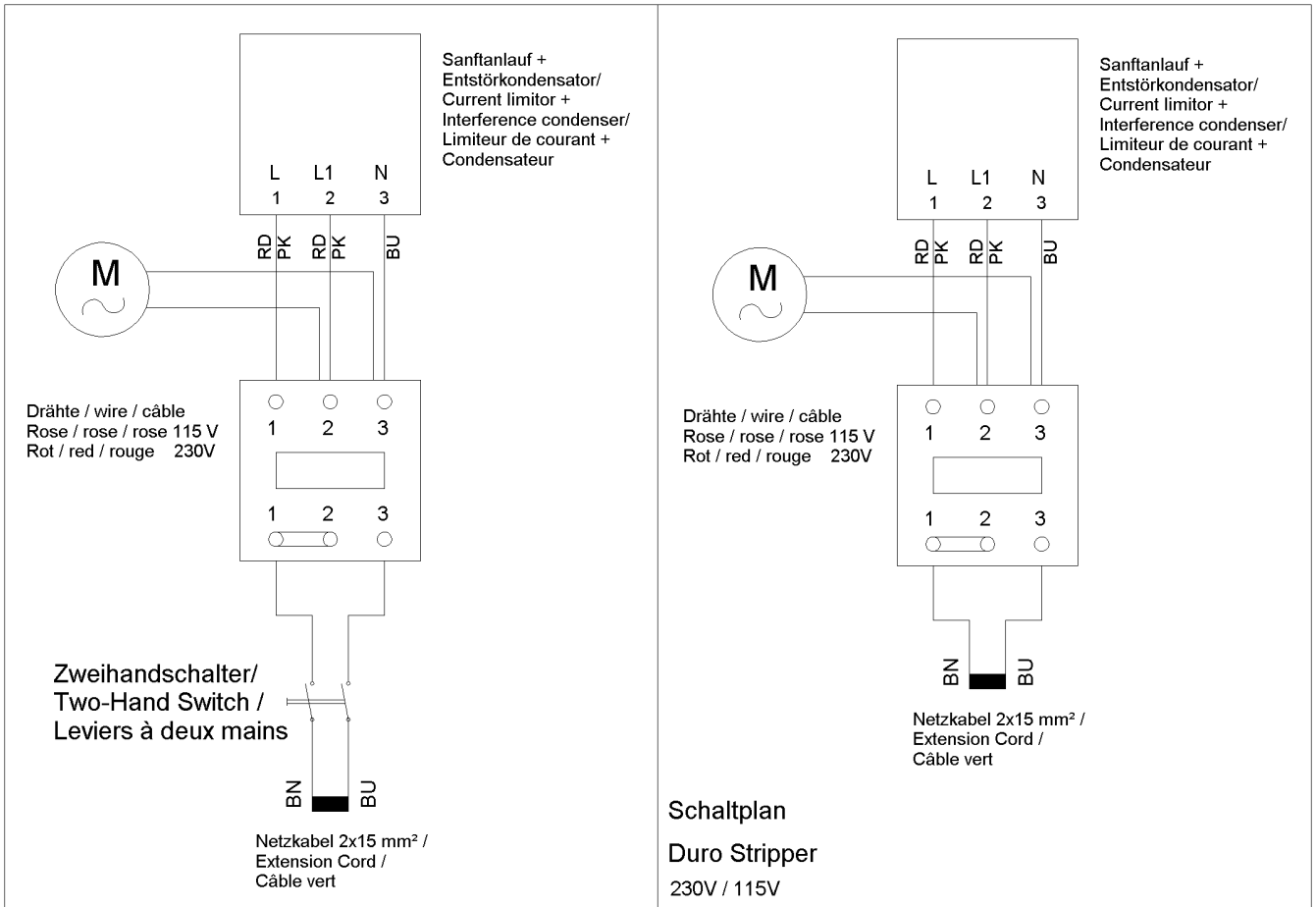
7 Handle tube special



7 Handle tube special

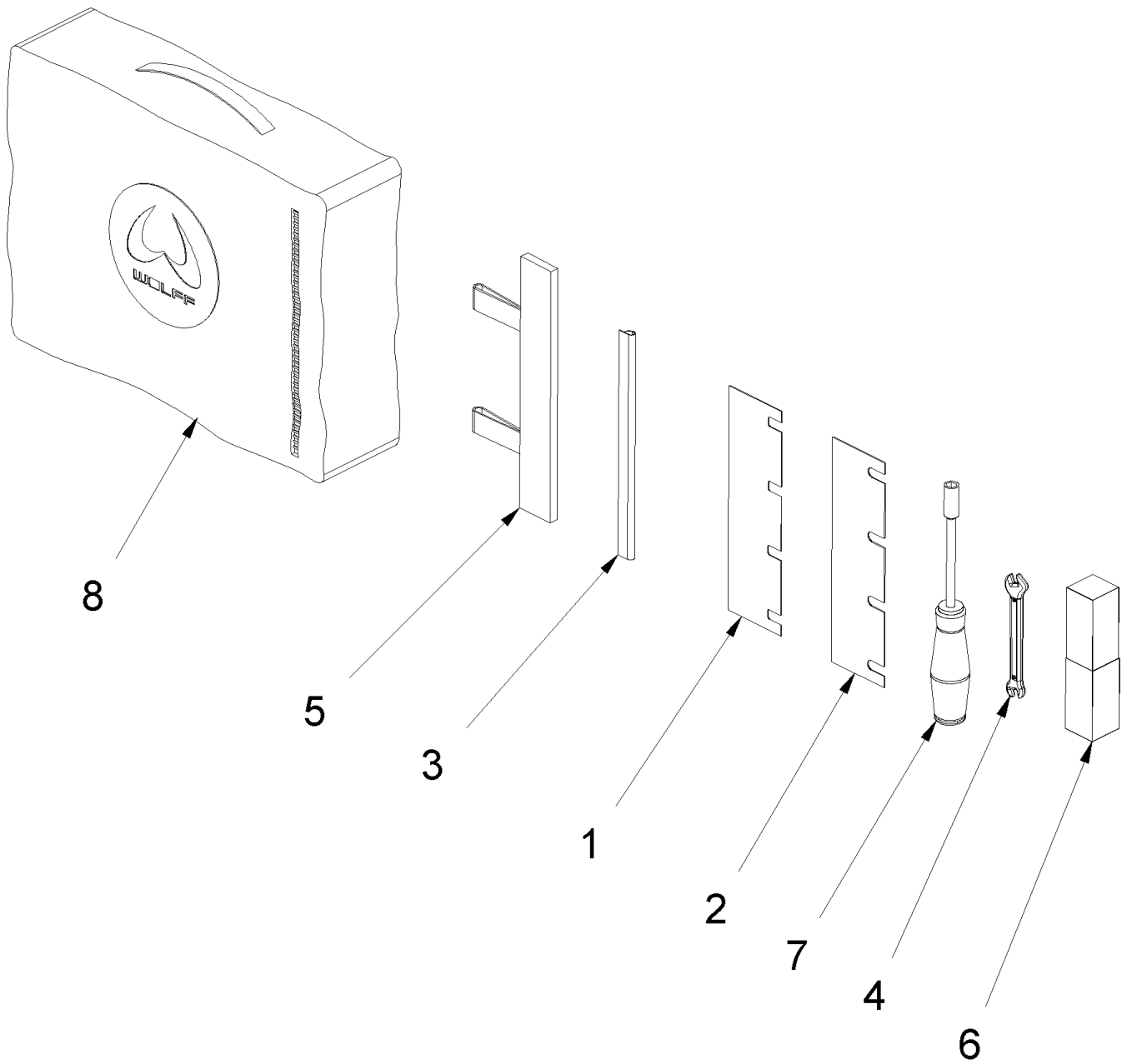
| Item no. | Article no. | Description | Quantity |
|----------|-------------|------------------------------------|----------|
| 1 | 084706 | Handel Duro-Stripper with VG cplt. | 1 |
| 2 | 017574 | Upper handle tube | 1 |
| 3 | 014925 | Special handle Duro | 2 |
| 4 | 017624 | Hexagon bolt M 8x50 DIN 931 | 1 |
| 5 | 014935 | End cap outer tube | 1 |
| 6 | 014816 | Hexagon nut M8 DIN 985 | 1 |
| 7 | 014828 | Washer M8 DIN 125 A | 3 |
| 8 | 014768 | T-head bolt M8x70 DIN 186 A | 2 |
| 9 | 014824 | Wing nut M8 DIN 315 | 2 |
| 10 | 084706 | Handel Duro-Stripper with VG cplt. | 1 |

8 Circuit diagram



8 Circuit diagram

9 Tool kit



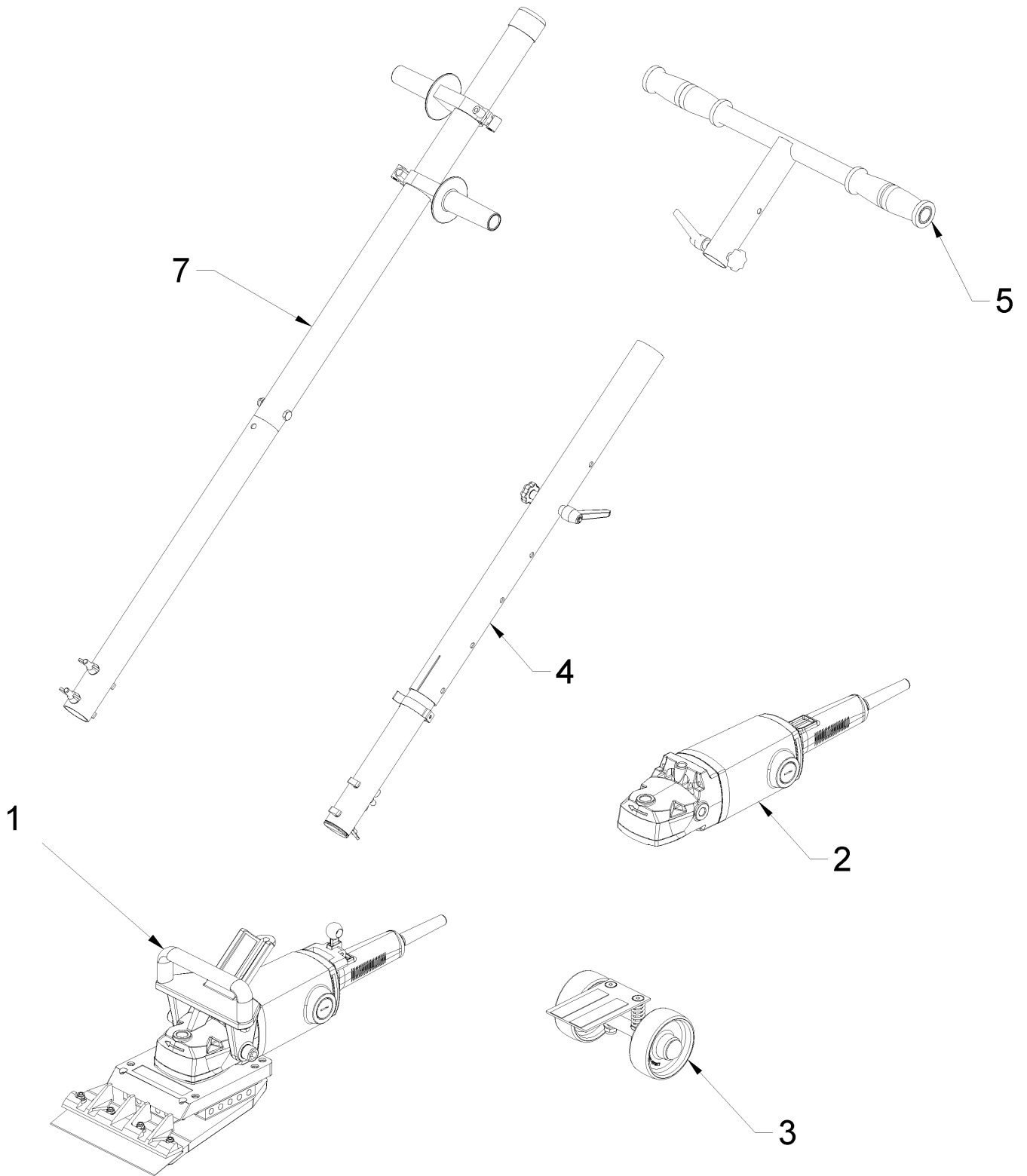
9 Tool kit

| Item no. | Article no. | Description | Quantity |
|----------|-------------|--|----------|
| 1 | 013344 | Spare blades, 210 x 60 x 0,7 mm Duro/Var | 1 |
| 2 | 013345 | Spare blades, 210 x 60 x 1 mm Duro/Vario | 1 |
| 3 | 015229 | Blade protection 210mm | 1 |
| 4 | 017612 | Double fork wrench sw10/13 mm | 1 |
| 5 | 033203 | Blade protection Duro/Vario/Eco/Primo | 1 |
| 6 | 014962 | Plastic box 30x65 SM1200/SM800/Duro/LS | 1 |
| 7 | 017598 | Special key SW10 Wolff | 1 |
| 8 | 054064 | Tool bag green - Wolff | 1 |

10 Accesories

| Article no. | Description |
|-------------|--|
| 013344 | Spare blades, 210 x 60 x 0,7 mm Duro/Var |
| 013346 | Spare blades, 210 x 60 x 1,5 mm Duro/Var |
| 013349 | Carrying case Duro-Stripper |
| 084706 | Handel Duro-Stripper with VG cplt. |
| 013342 | Carpet clamp Premium |
| 065500 | Profi hand sraper Wolff |
| 013345 | Spare blades, 210 x 60 x 1 mm Duro/Vario |
| 048402 | Serrated blade, 210 x 60 x 1mm |
| 016151 | Wheel set Duro Stripper |
| 062700 | Ergo Cutter |
| 051505 | Hand scraper WOLFF |
| 013934 | Floor scraper SEE 34543 |
| 085652 | Duro-Stripper 2.0 230V/50Hz VG |
| 015315 | Hearing protectors |
| 015809 | Safety gloves 1 pair |

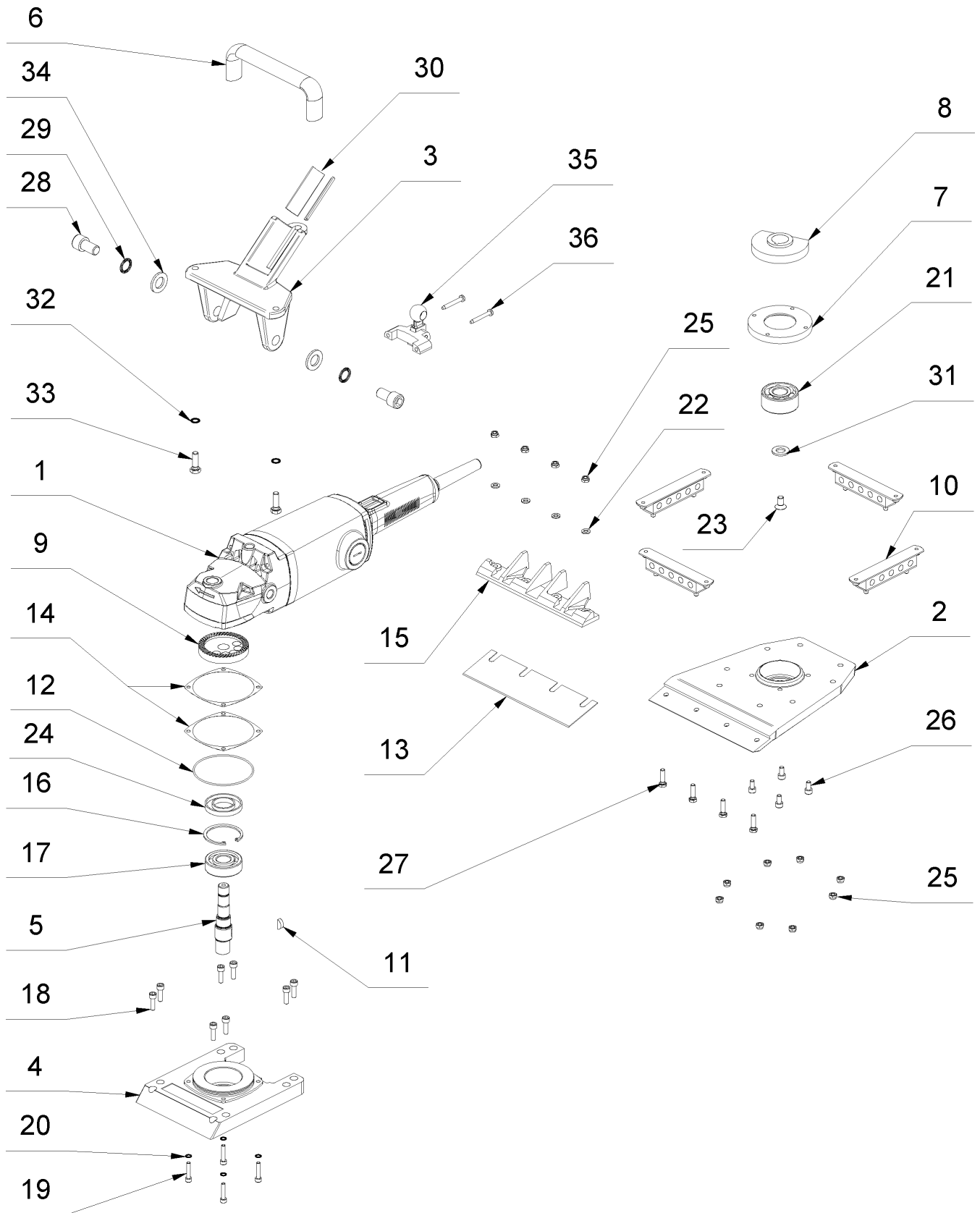
2 Duro Stripper (11/1996-05/2000)



2 Duro Stripper (11/1996-05/2000)

| Item no. | Article no. | Description |
|----------|--------------|---------------------|
| 1 | 01_01_013347 | Basic machine |
| 2 | 01_02_013347 | Motor |
| 3 | 02_03_013347 | Carriage |
| 4 | 01_04_085139 | Handle tube |
| 5 | 01_05_015026 | Handle bar |
| 7 | 01_07_015027 | Handle tube special |
| 8 | 01_08_013347 | Circuit diagram |
| 9 | 01_09_015024 | Tool kit |
| 10 | 01_10_013347 | Accesories |

1 Basic machine



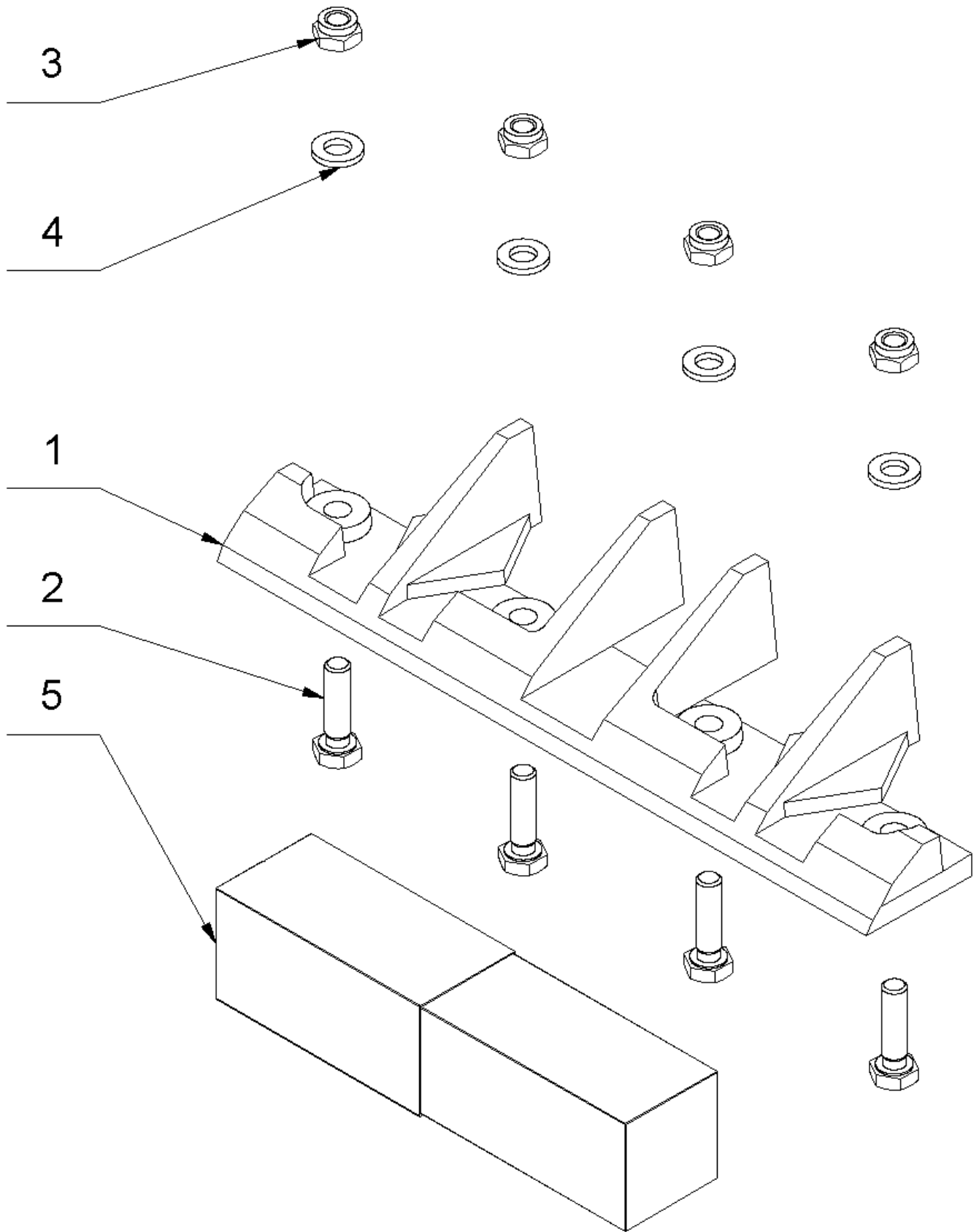
1 Basic machine

| Item no. | Article no. | Description | Quantity |
|----------|-------------|--|----------|
| 1 | 015021 | Motor DURO 230V SEE 085880 | 1 |
| 1 | 017567 | Motor230V reinorange RAL2004 SEE 85883 | 1 |
| 1 | 021593 | Motor 230V yellow RAL1028 SEE 85883 | 1 |
| 1 | 017827 | Motor 230V red RAL3000 SEE 85883 | 1 |
| 2 | 015221 | Striking foot DURO/ECO/Primo | 1 |
| 3 | 015227 | Grip Frame DURO | 1 |
| 4 | 015224 | Bearing plate DURO | 1 |
| 4 | 017846 | Bearing plate Duro orange RAL 2004 | 1 |
| 4 | 021585 | Bearing plate Duro yellow RAL 1028 | 1 |
| 4 | 017844 | Bearing plate Duro red RAL 3000 | 1 |
| 5 | 076729 | Excenter shaft DURO w.nut key from 2014 | 1 |
| 6 | 087346 | Grip 160mm Duro 2.0 | 1 |
| 7 | 015233 | Flange DURO | 1 |
| 8 | 015225 | Balance Disc DURO | 1 |
| 9 | 015234 | Crown wheel Duro | 1 |
| 10 | 014931 | Rubber Bearing Duro/Eco/Primo-Stripper | 4 |
| 11 | 014905 | Spring washer 5x6,5 DIN 6888 | 1 |
| 12 | 015218 | Sealing ring Motor Duro 2.0 | 1 |
| 13 | 013345 | Spare blades, 210 x 60 x 1 mm Duro/Vario | 1 |
| 14 | 016944 | Distance ring 0,3 mm Motor Duro 2.0 | 2 |
| 15 | 036009 | Blade holder set ECO | 1 |
| 16 | 014857 | Safety washer I52 DIN 472 | 1 |
| 17 | 014711 | Ball bearing 6304 | 1 |
| 18 | 014752 | Cylinder head screw M6x20DIN 912 microve | 8 |
| 19 | 014722 | Cylinder head screw M 5x25 DIN 912 | 4 |
| 20 | 014858 | Schnorr washer M5 | 4 |
| 21 | 014674 | Ball bearing 3304 2RSC3 | 1 |
| 22 | 014827 | Washer M6 DIN 125 A | 4 |
| 23 | 014764 | Countersunk screw M8x16 DIN7991 micro | 1 |
| 24 | 014847 | Shaft seal A28x52x7 NBR | 1 |
| 25 | 014815 | Hexagon nut M6 DIN985 | 12 |
| 26 | 014751 | Cylinder head screw M6x14 DIN 912 mikrov | 4 |
| 27 | 014772 | Hexagon head bolt M 6x22 DIN 933 | 4 |
| 28 | 014745 | Cylinder head screw M14x25 DIN 912 | 2 |

1 Basic machine

| Item no. | Article no. | Description | Quantity |
|----------|-------------|-----------------------------|----------|
| 29 | 014863 | Schnorr Washer M14 | 2 |
| 30 | 014932 | Rubber sleeve | 1 |
| 31 | 014830 | Washer M12 DIN 125 A | 1 |
| 32 | 014860 | Schnorr Washer M8 | 2 |
| 33 | 014775 | Hexagon bolt M 8x25 DIN 933 | 2 |
| 34 | 017741 | Washer M14 DIN 125 | 2 |
| 35 | 015023 | Switch lever Duro | 1 |
| 36 | 014797 | Countersunk screw 5,0x60 | 2 |

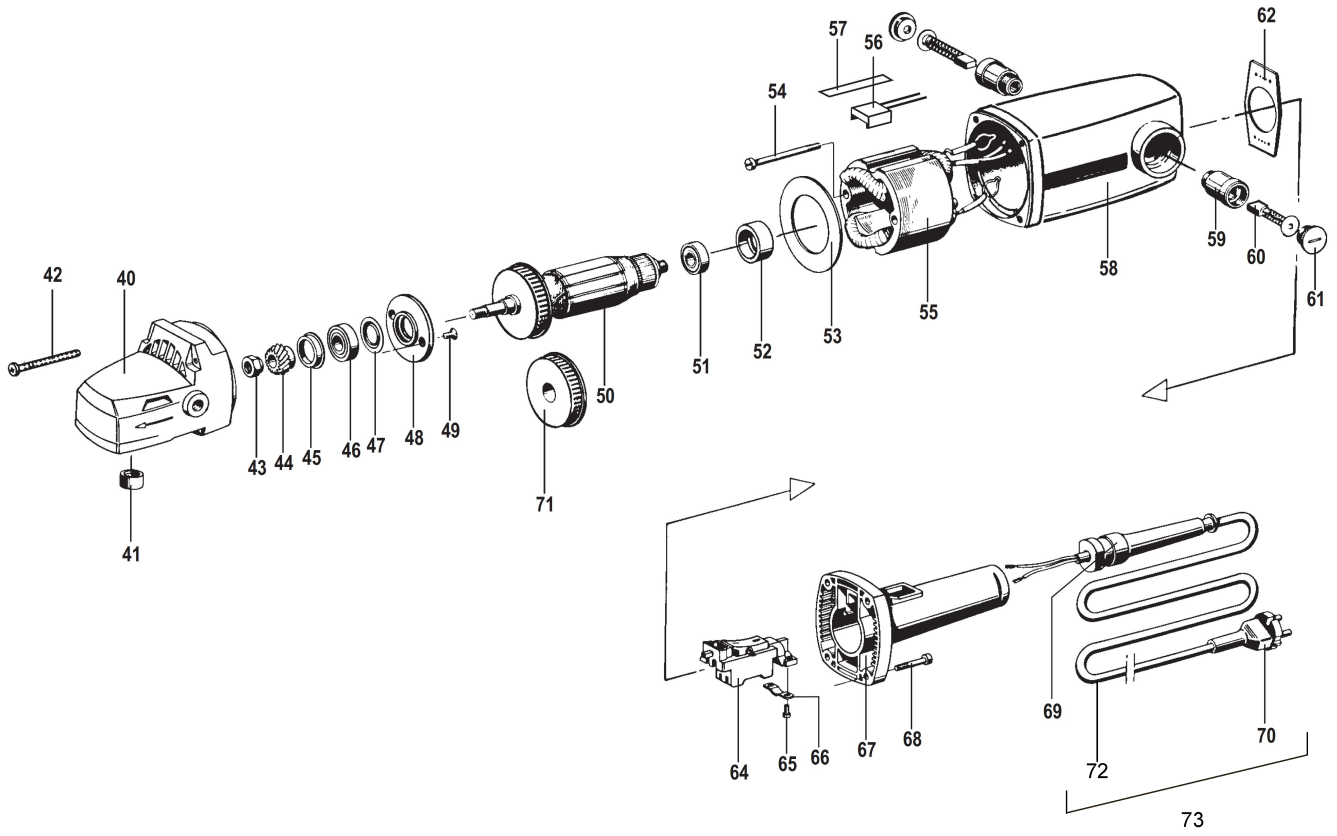
15 Blade holder set ECO



15 Blade holder set ECO

| Item no. | Article no. | Description | Quantity |
|----------|-------------|--|----------|
| 1 | 015223 | Deflector new Duro/Vario/Eco/Primo | 1 |
| 2 | 014772 | Hexagon head bolt M 6x22 DIN 933 | 4 |
| 3 | 014815 | Hexagon nut M6 DIN985 | 4 |
| 4 | 014827 | Washer M6 DIN 125 A | 4 |
| 5 | 014962 | Plastic box 30x65 SM1200/SM800/Duro/LS | 1 |

2 Motor



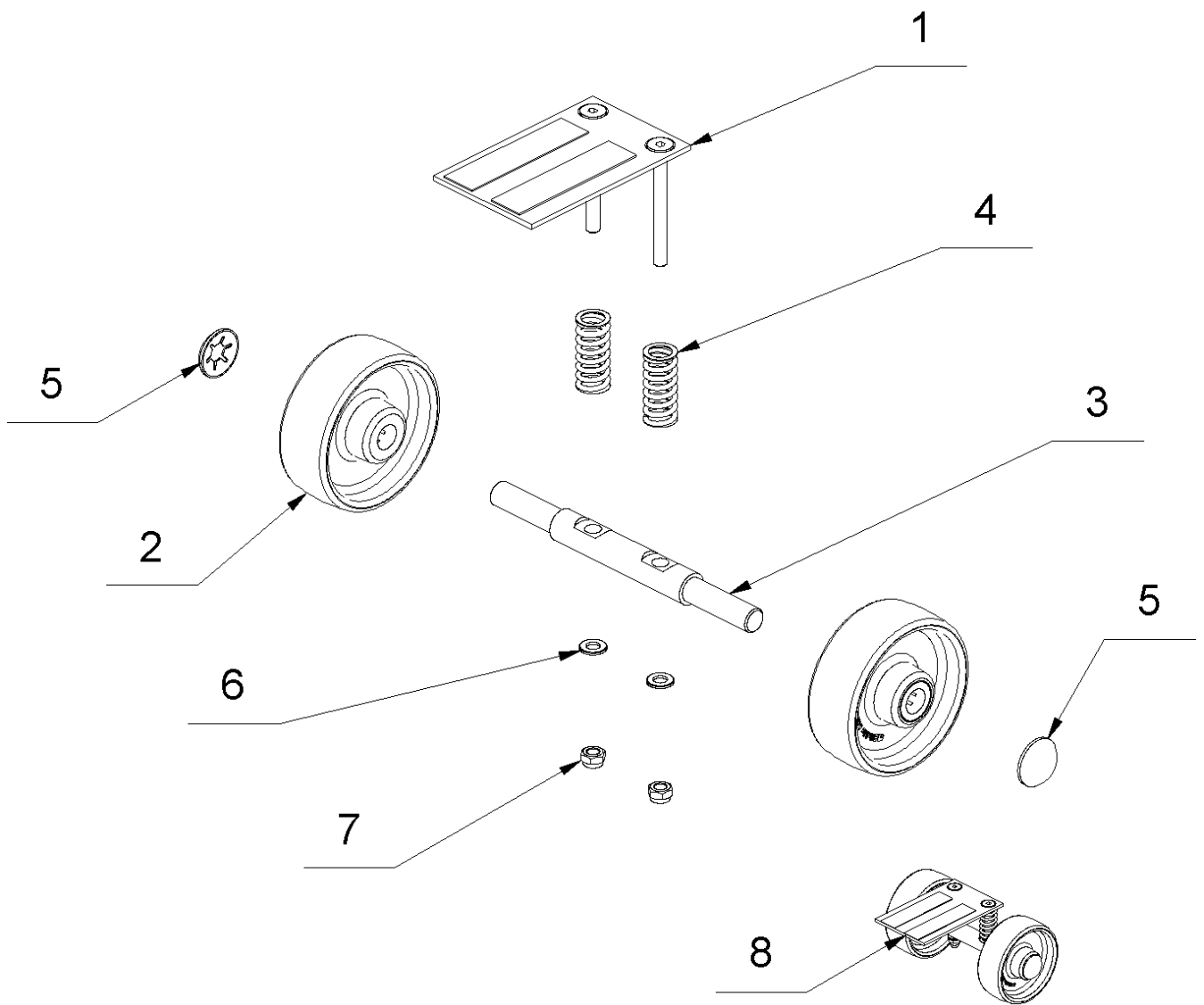
2 Motor

| Item no. | Article no. | Description | Quantity |
|----------|-------------|--|----------|
| 35 | 015023 | Switch lever Duro | 1 |
| 36 | 014797 | Countersunk screw 5,0x60 | 2 |
| 38 | 019014 | Tooth washer V 5,3 DIN 6798 | 2 |
| 40 | 015189 | Gear Block Housing Motor Duro | 1 |
| 41 | 015190 | Needle bearing HK 1512 Motor Duro 2.0 | 1 |
| 42 | 015191 | Cylinder head screw special M5x45 | 4 |
| 43 | 015192 | Hexagon nut M10 fine thread | 1 |
| 44 | 015193 | Pinion gear Duro '44 | 1 |
| 45 | 015194 | Sealing ring Flex BS180/Duro | 1 |
| 46 | 014709 | Ball-bearing 6202 | 1 |
| 47 | 015195 | Sealing ring Flex BS180/Duro | 1 |
| 48 | 015196 | Cover Flex BS180/Duro | 1 |
| 49 | 016312 | Countersunk bolt M5x16 DIN 7991 10.9 | 1 |
| 50 | 015198 | Armature 230 V compl. Duro/Flex | 1 |
| 51 | 014701 | Ball-bearing 6001 2RSC3 | 1 |
| 52 | 015199 | Bearing ring BS180/Duro | 1 |
| 53 | 015200 | Air guide Flex BS180/Duro | 1 |
| 54 | 019523 | Plastic Bolt 5x74 TX25 | 2 |
| 55 | 039398 | Magnetic field Flex BS180 | 1 |
| 56 | 015235 | Current limiter 230V 3adrig BIRO | 1 |
| 57 | 015202 | Insulation no longer available | 1 |
| 58 | 015203 | Motor case with carbon brush holder 230V | 1 |
| 59 | 015205 | Carbon brush holder 230V Duro | 2 |
| 60 | 016853 | Carbon brush 230 V Duro | 2 |
| 61 | 015207 | Carbon brush cap BS180/Duro | 2 |
| 62 | 015208 | Sealing Plate BS180/Duro | 1 |
| 64 | 015209 | Switch on/off Duro | 1 |
| 65 | 015210 | Lens head screw M 4x12 | 2 |
| 66 | 015211 | Cable clamp Motor Duro 2.0 | 1 |
| 67 | 015212 | Handle Duro | 1 |
| 68 | 014796 | Countersunk screw 5,0x50 | 2 |
| 69 | 015214 | Cable Sleeve | 1 |
| 70 | 039203 | Plug grey | 1 |
| 70 | 019165 | Plug 230V 3-polig Switzerland | 1 |

2 Motor

| Item no. | Article no. | Description | Quantity |
|----------|-------------|--|----------|
| 71 | 015216 | Fan Flex BS180/Duro | 1 |
| 72 | 042160 | Cable 2x2,5 ² x4m black SEE 15215 | 1 |
| 73 | 015215 | Cable 2x1 ² x4m black w.plug | 1 |
| 73 | 083110 | El.cord 2x1 ² x4m 230V w.plug CH | 1 |

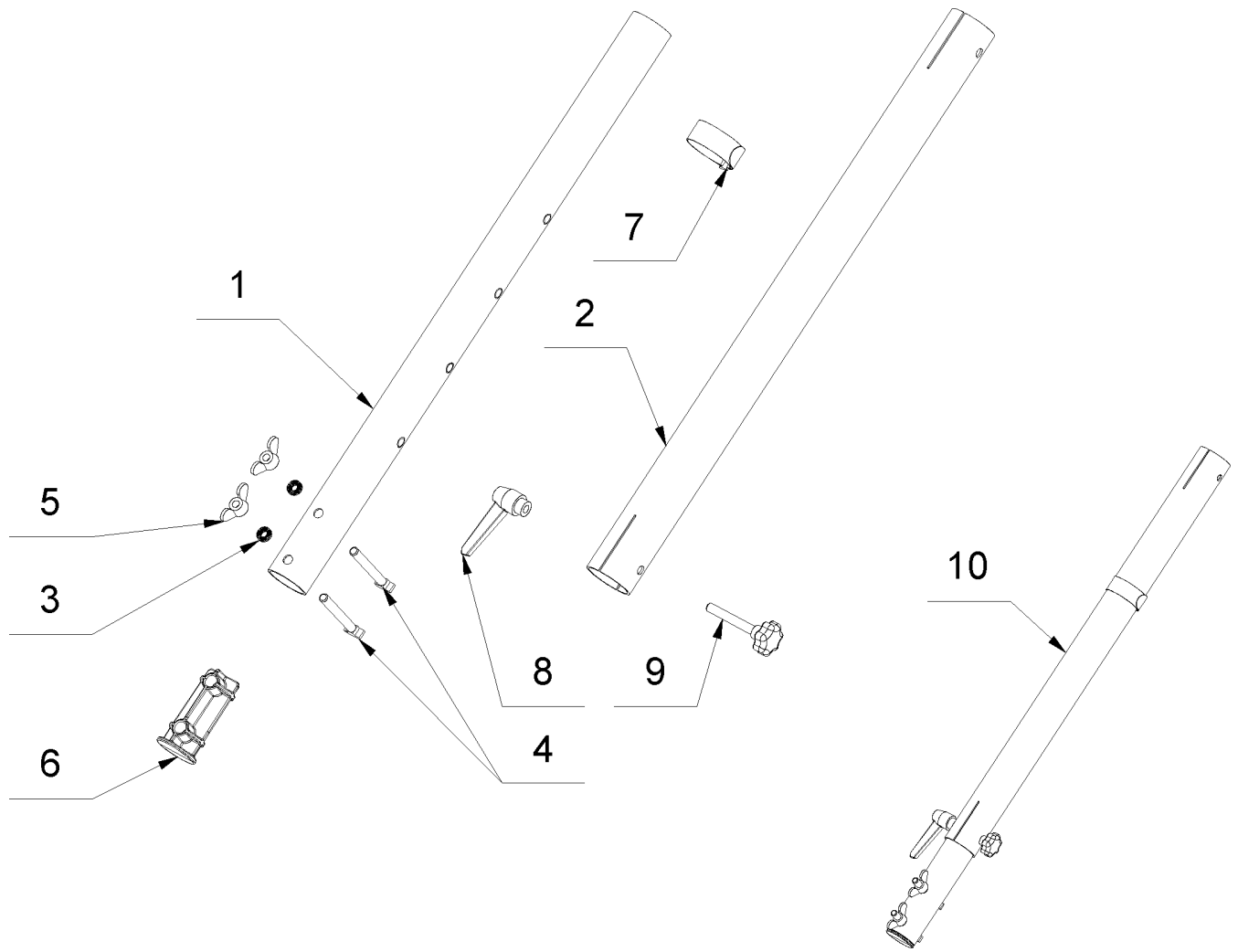
3 Carriage



3 Carriage

| Item no. | Article no. | Description | Quantity |
|----------|-------------|-------------------------------------|----------|
| 1 | 019846 | not available anymore | 1 |
| 2 | 014953 | Transport wheel with needle-bearing | 2 |
| 3 | 017024 | not available anymore | 1 |
| 4 | 014896 | Pressure spring 17,50x45x3 | 2 |
| 5 | 014881 | Starlock Ø15 with cap | 2 |
| 6 | 014828 | Washer M8 DIN 125 A | 2 |
| 7 | 014816 | Hexagon nut M8 DIN 985 | 2 |
| 8 | | not available anymore | 1 |

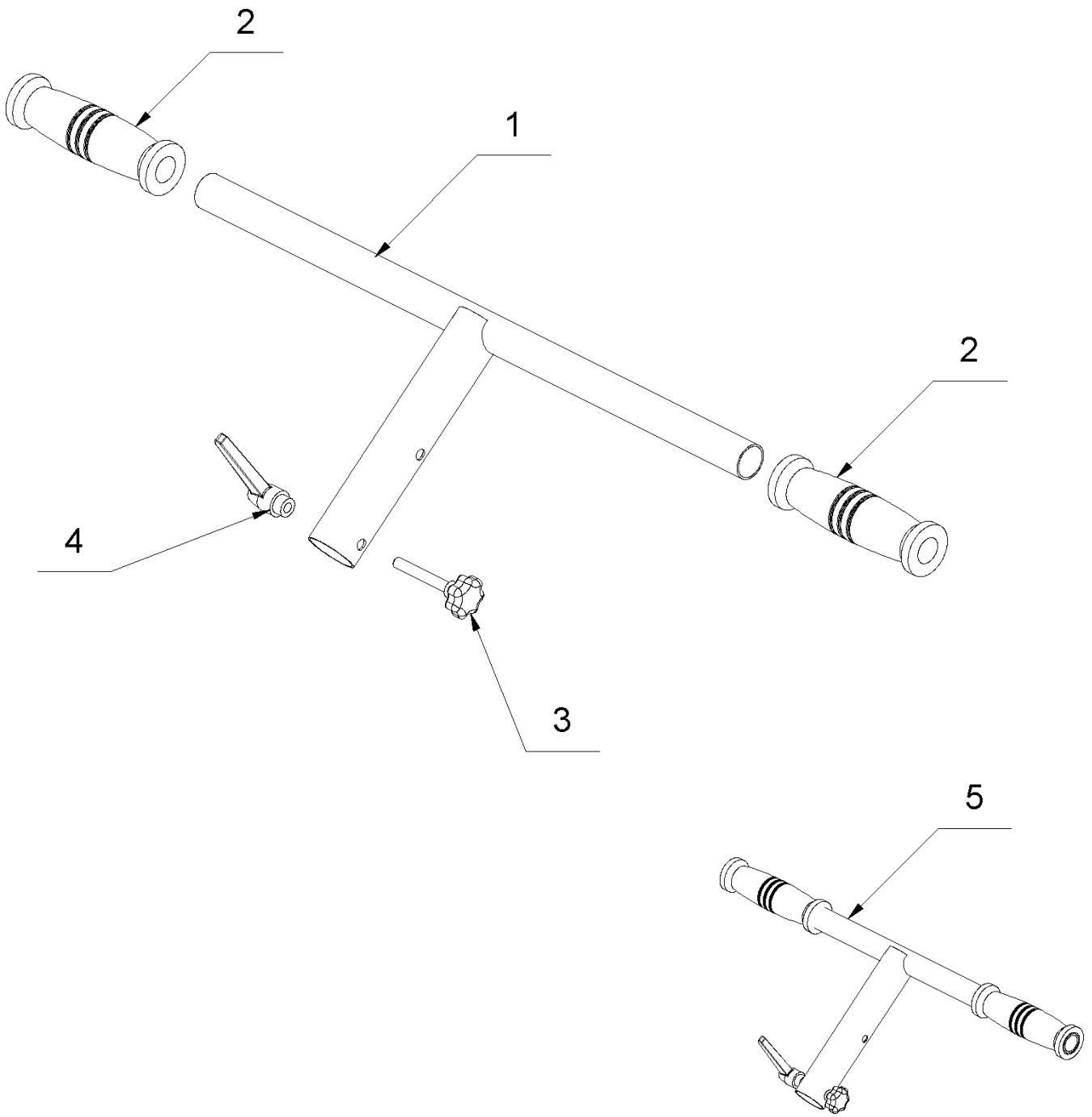
4 Handle tube



4 Handle tube

| Item no. | Article no. | Description | Quantity |
|----------|-------------|--------------------------------|----------|
| 1 | 015226 | Inner tube Duro | 1 |
| 2 | 085139 | Handle Tube cpl. Duro 2.0 | 1 |
| 3 | 014828 | Washer M8 DIN 125 A | 2 |
| 4 | 014768 | T-head bolt M8x70 DIN 186 A | 2 |
| 5 | 014824 | Wing nut M8 DIN 315 | 2 |
| 6 | 074423 | Stopper innertube Duro/EcoStr. | 1 |
| 7 | 178579 | Velcro cable tie 20cm black | 1 |
| 8 | 014877 | Clamping lever M8 Duro | 1 |
| 9 | 014919 | Star grip bolt M8x55 | 1 |
| 10 | 085139 | Handle Tube cpl. Duro 2.0 | 1 |

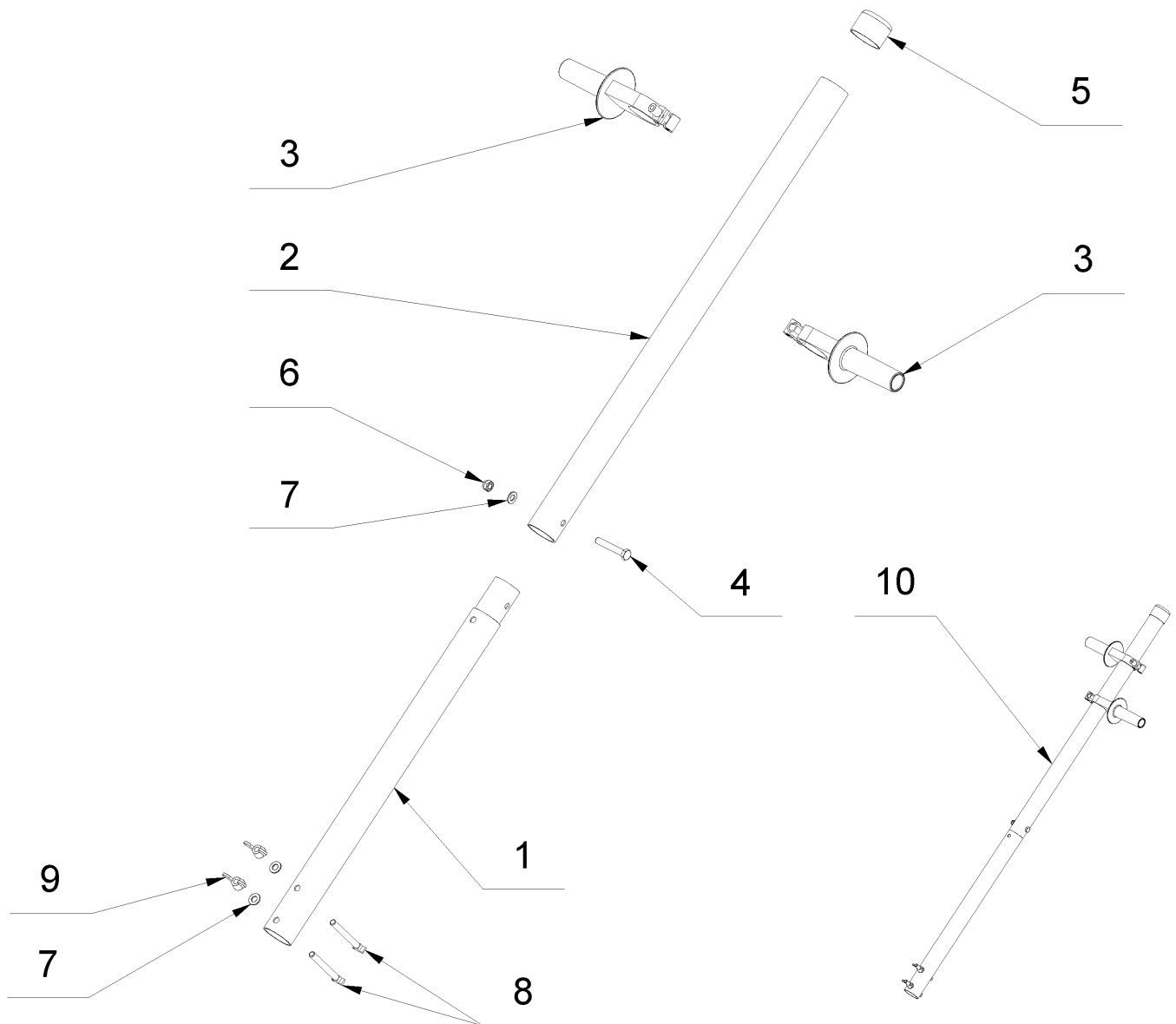
5 Handle bar



5 Handle bar

| Item no. | Article no. | Description | Quantity |
|----------|-------------|----------------------------|----------|
| 1 | 062780 | Transversal tube DURO JOKA | 1 |
| 2 | 014923 | Grip cover/foam | 2 |
| 3 | 014919 | Star grip bolt M8x55 | 1 |
| 4 | 014877 | Clamping lever M8 Duro | 1 |
| 5 | 015026 | T-Handle compl. DURO/ECO | 1 |

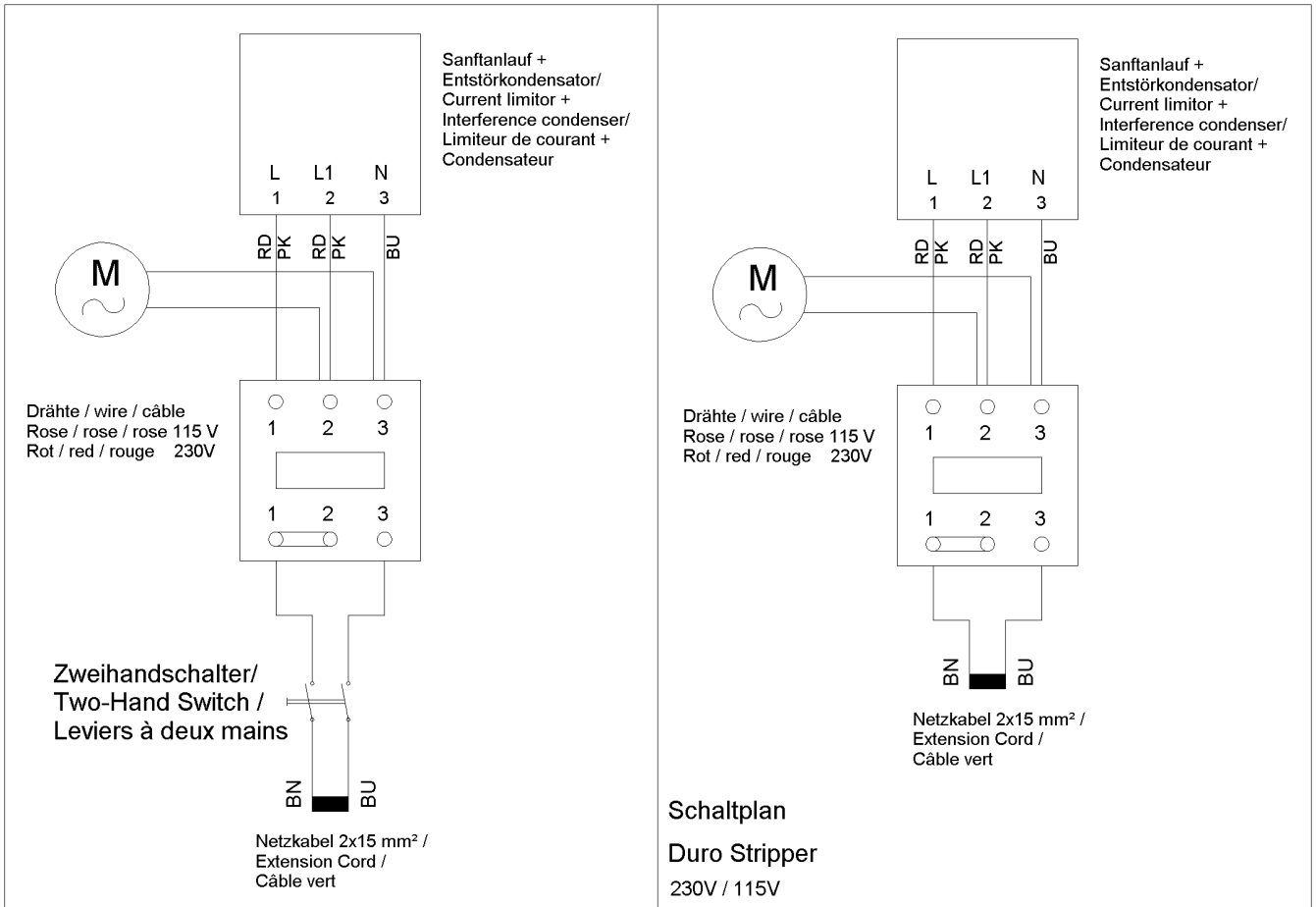
7 Handle tube special



7 Handle tube special

| Item no. | Article no. | Description | Quantity |
|----------|-------------|------------------------------------|----------|
| 1 | 084706 | Handel Duro-Stripper with VG cplt. | 1 |
| 2 | 017574 | Upper handle tube | 1 |
| 3 | 014925 | Special handle Duro | 2 |
| 4 | 017624 | Hexagon bolt M 8x50 DIN 931 | 1 |
| 5 | 014935 | End cap outer tube | 1 |
| 6 | 014816 | Hexagon nut M8 DIN 985 | 1 |
| 7 | 014828 | Washer M8 DIN 125 A | 3 |
| 8 | 014768 | T-head bolt M8x70 DIN 186 A | 2 |
| 9 | 014824 | Wing nut M8 DIN 315 | 2 |
| 10 | 084706 | Handel Duro-Stripper with VG cplt. | 1 |

8 Circuit diagram

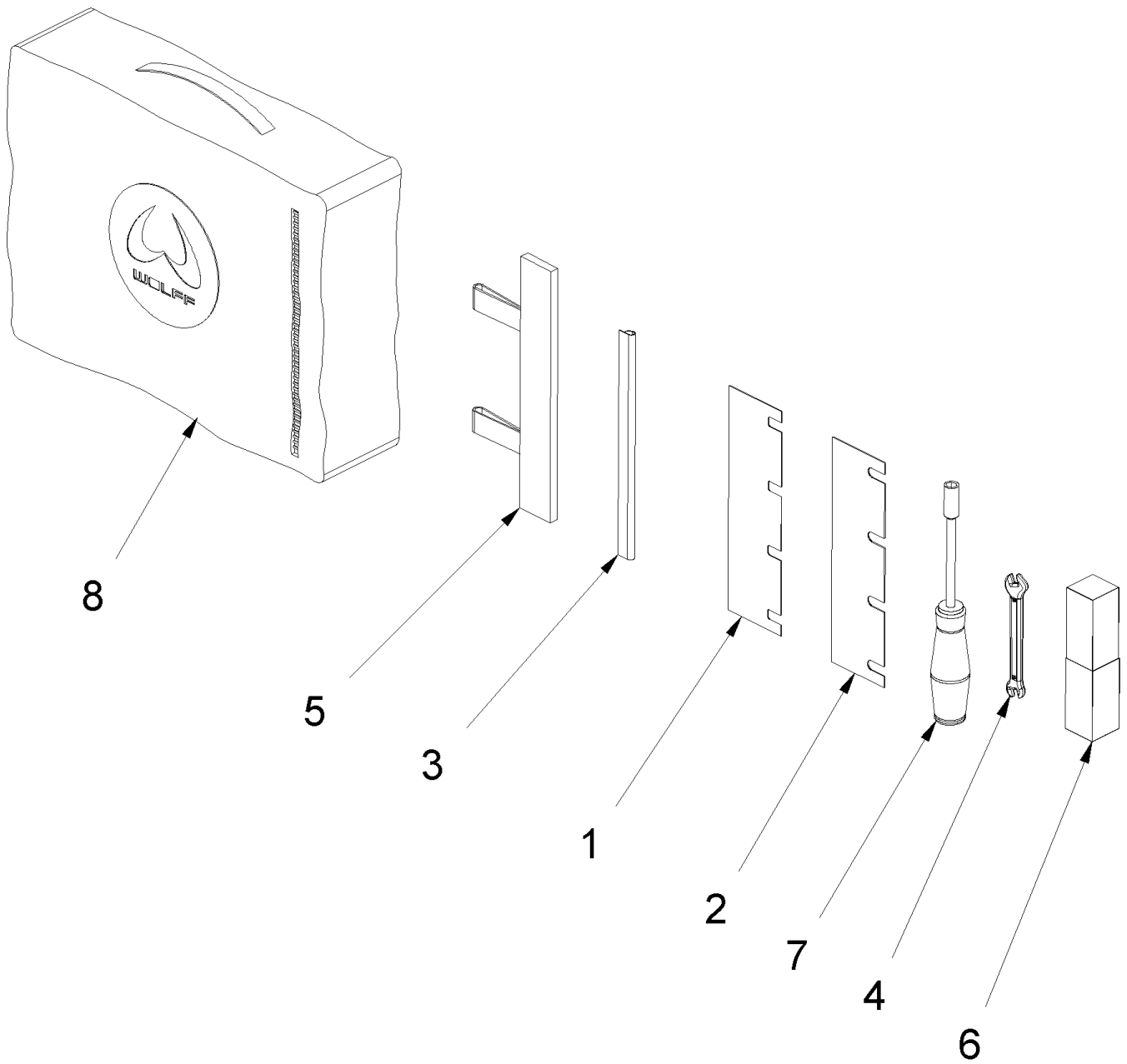


8 Circuit diagram

Item no.

1

9 Tool kit



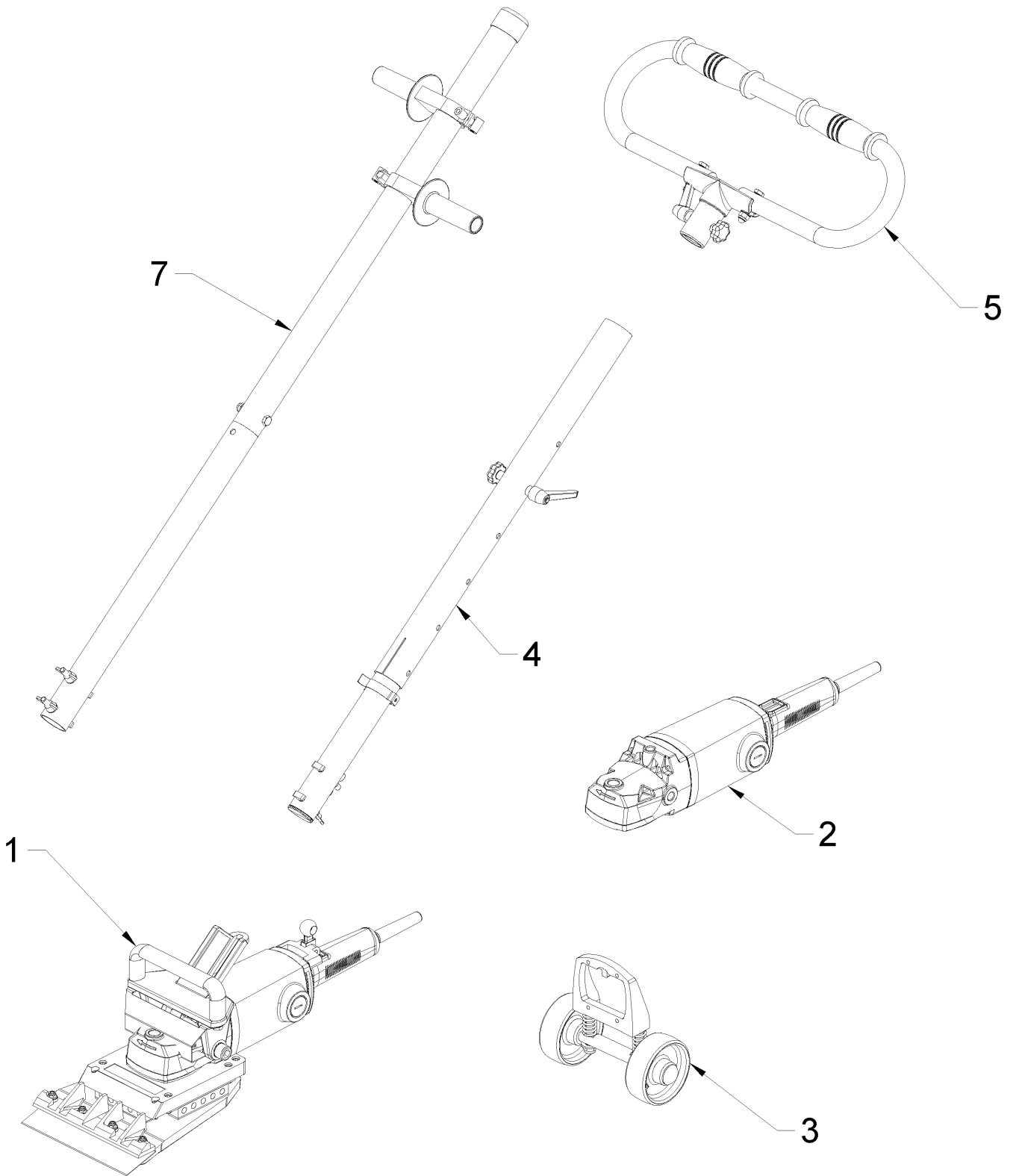
9 Tool kit

| Item no. | Article no. | Description | Quantity |
|----------|-------------|--|----------|
| 1 | 013344 | Spare blades, 210 x 60 x 0,7 mm Duro/Var | 1 |
| 2 | 013345 | Spare blades, 210 x 60 x 1 mm Duro/Vario | 1 |
| 3 | 015229 | Blade protection 210mm | 1 |
| 4 | 017612 | Double fork wrench sw10/13 mm | 1 |
| 5 | 033203 | Blade protection Duro/Vario/Eco/Primo | 1 |
| 6 | 014962 | Plastic box 30x65 SM1200/SM800/Duro/LS | 1 |
| 7 | 017598 | Special key SW10 Wolff | 1 |
| 8 | 054064 | Tool bag green - Wolff | 1 |

10 Accesories

| Article no. | Description |
|-------------|--|
| 013344 | Spare blades, 210 x 60 x 0,7 mm Duro/Var |
| 013346 | Spare blades, 210 x 60 x 1,5 mm Duro/Var |
| 013349 | Carrying case Duro-Stripper |
| 084706 | Handel Duro-Stripper with VG cplt. |
| 013342 | Carpet clamp Premium |
| 065500 | Profi hand sraper Wolff |
| 013345 | Spare blades, 210 x 60 x 1 mm Duro/Vario |
| 048402 | Serrated blade, 210 x 60 x 1mm |
| 016151 | Wheel set Duro Stripper |
| 062700 | Ergo Cutter |
| 051505 | Hand scraper WOLFF |
| 013934 | Floor scraper SEE 34543 |
| 085652 | Duro-Stripper 2.0 230V/50Hz VG |
| 015315 | Hearing protectors |
| 015809 | Safety gloves 1 pair |

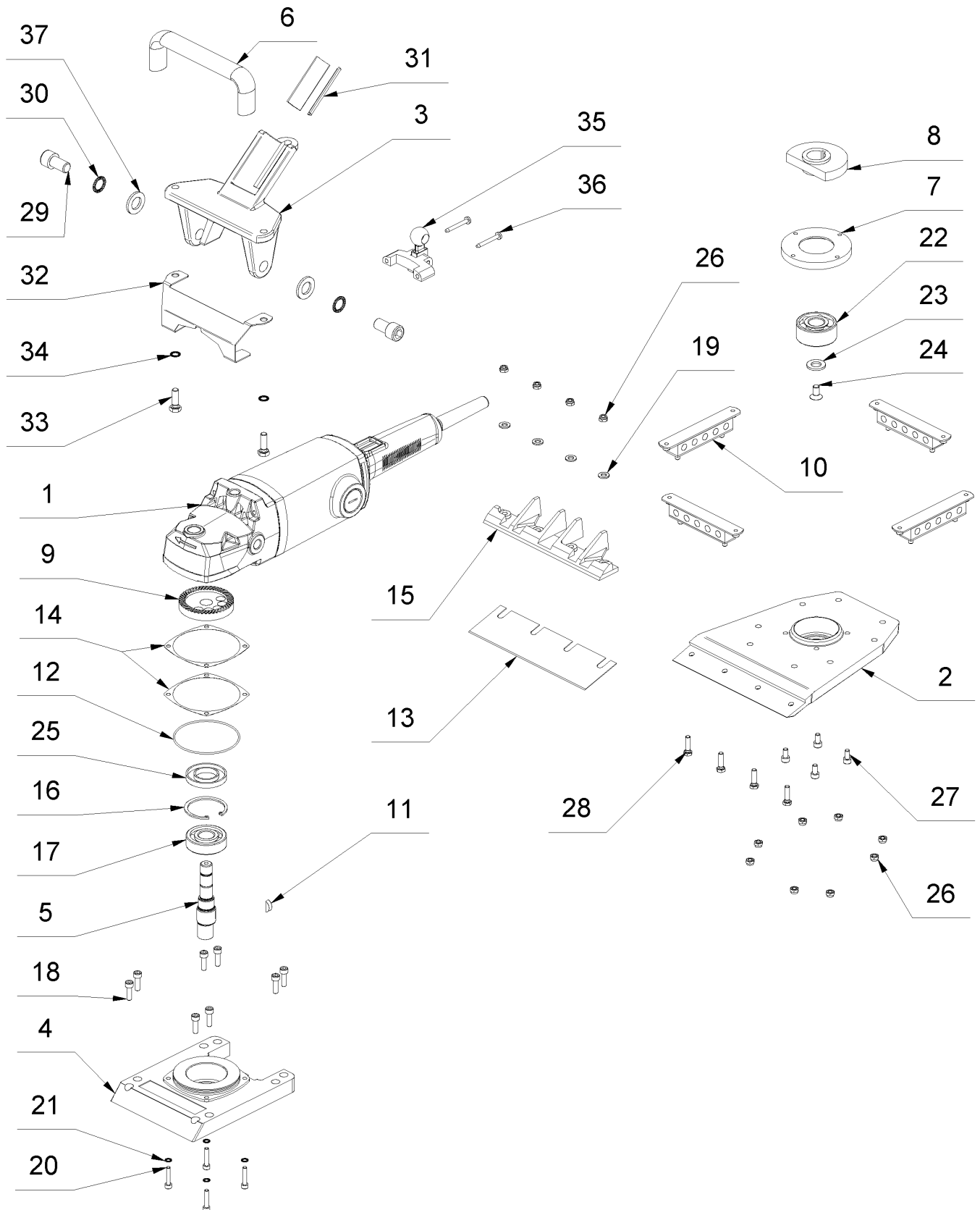
3 Duro Stripper (06/2000-12/2001)



3 Duro Stripper (06/2000-12/2001)

| Item no. | Article no. | Description |
|----------|--------------|---------------------|
| 1 | 03_01_013347 | Basic machine |
| 2 | 01_02_013347 | Motor |
| 3 | 03_03_013347 | Carriage |
| 4 | 01_04_085139 | Handle tube |
| 5 | 03_05_015052 | Handle bar |
| 7 | 01_07_015027 | Handle tube special |
| 8 | 01_08_013347 | Circuit diagram |
| 9 | 01_09_015024 | Tool kit |
| 10 | 01_10_013347 | Accesories |

1 Basic machine



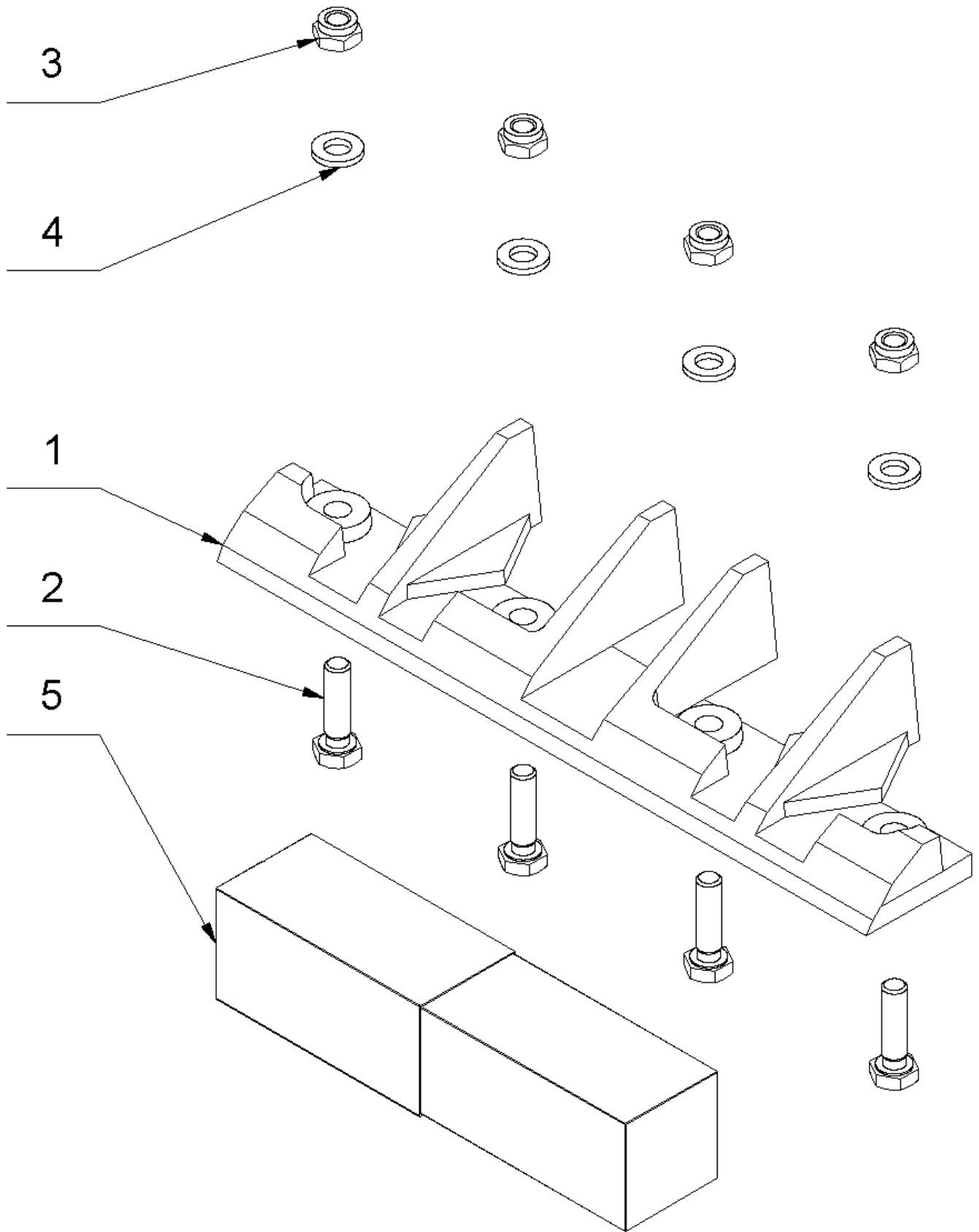
1 Basic machine

| Item no. | Article no. | Description | Quantity |
|----------|-------------|--|----------|
| 1 | 015021 | Motor DURO 230V SEE 085880 | 1 |
| 1 | 017567 | Motor230V reinorange RAL2004 SEE 85883 | 1 |
| 1 | 021593 | Motor 230V yellow RAL1028 SEE 85883 | 1 |
| 1 | 017827 | Motor 230V red RAL3000 SEE 85883 | 1 |
| 2 | 015221 | Striking foot DURO/ECO/Primo | 1 |
| 3 | 015227 | Grip Frame DURO | 1 |
| 4 | 015224 | Bearing plate DURO | 1 |
| 4 | 017846 | Bearing plate Duro orange RAL 2004 | 1 |
| 4 | 021585 | Bearing plate Duro yellow RAL 1028 | 1 |
| 4 | 017844 | Bearing plate Duro red RAL 3000 | 1 |
| 5 | 076729 | Excenter shaft DURO w.nut key from 2014 | 1 |
| 6 | 087346 | Grip 160mm Duro 2.0 | 1 |
| 7 | 015233 | Flange DURO | 1 |
| 8 | 015225 | Balance Disc DURO | 1 |
| 9 | 015234 | Crown wheel Duro | 1 |
| 10 | 014931 | Rubber Bearing Duro/Eco/Primo-Stripper | 4 |
| 11 | 014905 | Spring washer 5x6,5 DIN 6888 | 1 |
| 12 | 015218 | Sealing ring Motor Duro 2.0 | 1 |
| 13 | 013345 | Spare blades, 210 x 60 x 1 mm Duro/Vario | 1 |
| 14 | 016944 | Distance ring 0,3 mm Motor Duro 2.0 | 2 |
| 15 | 036009 | Blade holder set ECO | 1 |
| 16 | 014857 | Safety washer I52 DIN 472 | 1 |
| 17 | 014711 | Ball bearing 6304 | 1 |
| 18 | 014752 | Cylinder head screw M6x20DIN 912 microve | 8 |
| 19 | 014827 | Washer M6 DIN 125 A | 4 |
| 20 | 014750 | Cylinder head bolt M5x25 DIN 912 microv | 4 |
| 21 | 014858 | Schnorr washer M5 | 4 |
| 22 | 014674 | Ball bearing 3304 2RSC3 | 1 |
| 23 | 014830 | Washer M12 DIN 125 A | 1 |
| 24 | 014764 | Countersunk screw M8x16 DIN7991 micro | 1 |
| 25 | 014847 | Shaft seal A28x52x7 NBR | 1 |
| 26 | 014815 | Hexagon nut M6 DIN985 | 12 |
| 27 | 014751 | Cylinder head screw M6x14 DIN 912 mikrov | 4 |
| 28 | 014772 | Hexagon head bolt M 6x22 DIN 933 | 4 |

1 Basic machine

| Item no. | Article no. | Description | Quantity |
|----------|-------------|------------------------------------|----------|
| 29 | 014745 | Cylinder head screw M14x25 DIN 912 | 2 |
| 30 | 014863 | Schnorr Washer M14 | 2 |
| 31 | 014932 | Rubber sleeve | 1 |
| 32 | 015433 | Baffle Duro-Stripper | 1 |
| 33 | 014775 | Hexagon bolt M 8x25 DIN 933 | 2 |
| 34 | 014860 | Schnorr Washer M8 | 2 |
| 35 | 015023 | Switch lever Duro | 1 |
| 36 | 014797 | Countersunk screw 5,0x60 | 2 |
| 37 | 017741 | Washer M14 DIN 125 | 2 |

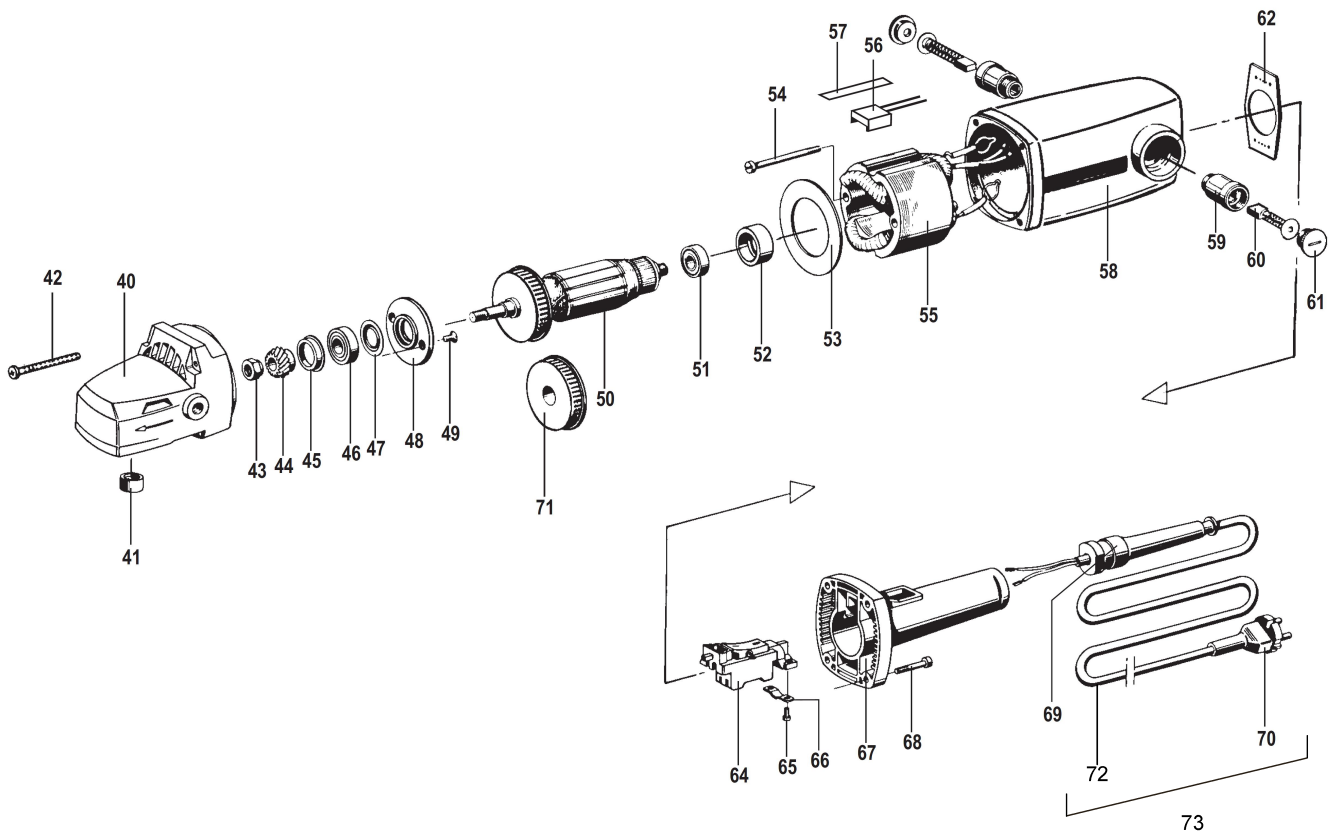
15 Blade holder set ECO



15 Blade holder set ECO

| Item no. | Article no. | Description | Quantity |
|----------|-------------|--|----------|
| 1 | 015223 | Deflector new Duro/Vario/Eco/Primo | 1 |
| 2 | 014772 | Hexagon head bolt M 6x22 DIN 933 | 4 |
| 3 | 014815 | Hexagon nut M6 DIN985 | 4 |
| 4 | 014827 | Washer M6 DIN 125 A | 4 |
| 5 | 014962 | Plastic box 30x65 SM1200/SM800/Duro/LS | 1 |

2 Motor



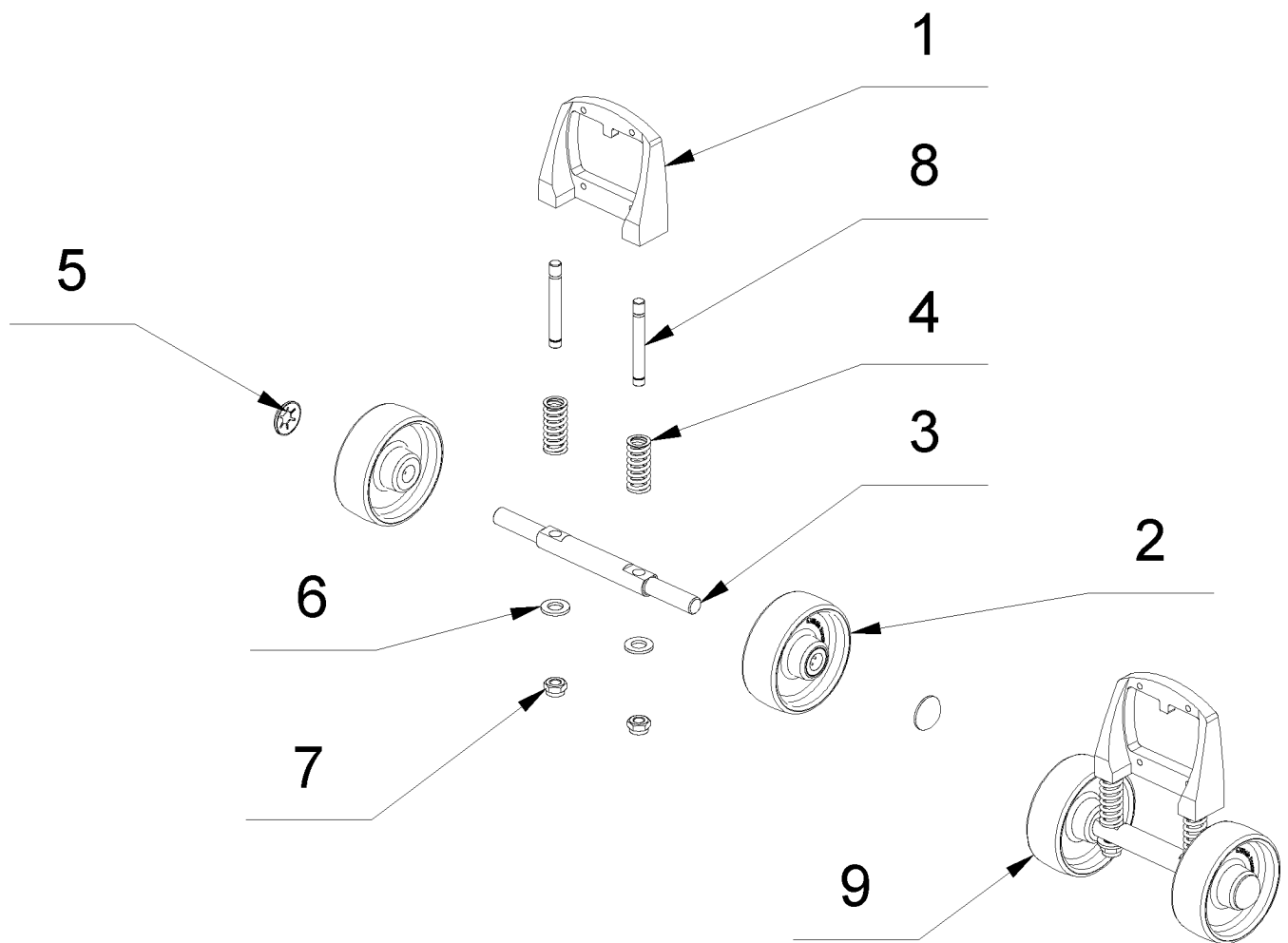
2 Motor

| Item no. | Article no. | Description | Quantity |
|----------|-------------|--|----------|
| 35 | 015023 | Switch lever Duro | 1 |
| 36 | 014797 | Countersunk screw 5,0x60 | 2 |
| 38 | 019014 | Tooth washer V 5,3 DIN 6798 | 2 |
| 40 | 015189 | Gear Block Housing Motor Duro | 1 |
| 41 | 015190 | Needle bearing HK 1512 Motor Duro 2.0 | 1 |
| 42 | 015191 | Cylinder head screw special M5x45 | 4 |
| 43 | 015192 | Hexagon nut M10 fine thread | 1 |
| 44 | 015193 | Pinion gear Duro '44 | 1 |
| 45 | 015194 | Sealing ring Flex BS180/Duro | 1 |
| 46 | 014709 | Ball-bearing 6202 | 1 |
| 47 | 015195 | Sealing ring Flex BS180/Duro | 1 |
| 48 | 015196 | Cover Flex BS180/Duro | 1 |
| 49 | 016312 | Countersunk bolt M5x16 DIN 7991 10.9 | 1 |
| 50 | 015198 | Armature 230 V compl. Duro/Flex | 1 |
| 50 | 015237 | Armature cpl.115V Duro | 1 |
| 51 | 014701 | Ball-bearing 6001 2RSC3 | 1 |
| 52 | 015199 | Bearing ring BS180/Duro | 1 |
| 53 | 015200 | Air guide Flex BS180/Duro | 1 |
| 54 | 019523 | Plastic Bolt 5x74 TX25 | 2 |
| 55 | 039398 | Magnetic field Flex BS180 | 1 |
| 55 | 015238 | Magnetic field 115V BS180/Duro | 1 |
| 56 | 015236 | Current limitator 115V 3adrig BIRO | 1 |
| 56 | 015235 | Current limitor 230V 3adrig BIRO | 1 |
| 57 | 015202 | Insulation no longer available | 1 |
| 58 | 015203 | Motor case with carbon brush holder 230V | 1 |
| 58 | 015204 | Motor case with carbon brush holder 115V | 1 |
| 59 | 015205 | Carbon brush holder 230V Duro | 2 |
| 59 | 015206 | Carbon brush holder 115V BS180/Duro | 2 |
| 60 | 016853 | Carbon brush 230 V Duro | 2 |
| 60 | 014997 | Carbon brush 115V Duro see 10387 | 2 |
| 61 | 015207 | Carbon brush cap BS180/Duro | 2 |
| 62 | 015208 | Sealing Plate BS180/Duro | 1 |
| 64 | 015209 | Switch on/off Duro | 1 |
| 65 | 015210 | Lens head screw M 4x12 | 2 |

2 Motor

| Item no. | Article no. | Description | Quantity |
|----------|-------------|--|----------|
| 66 | 015211 | Cable clamp Motor Duro 2.0 | 1 |
| 67 | 015212 | Handle Duro | 1 |
| 68 | 014796 | Countersunk screw 5,0x50 | 2 |
| 69 | 015214 | Cable Sleeve | 1 |
| 69 | 078991 | Cable Sleeve 115V Duro 2.0 | 1 |
| 70 | 039203 | Plug grey | 1 |
| 70 | 019165 | Plug 230V 3-polig Switzerland | 1 |
| 71 | 015216 | Fan Flex BS180/Duro | 1 |
| 72 | 042160 | Cable 2x2,5 ² x4m black SEE 15215 | 1 |
| 73 | 015215 | Cable 2x1 ² x4m black w.plug | 1 |
| 73 | 083110 | El.cord 2x1 ² x4m 230V w.plug CH | 1 |

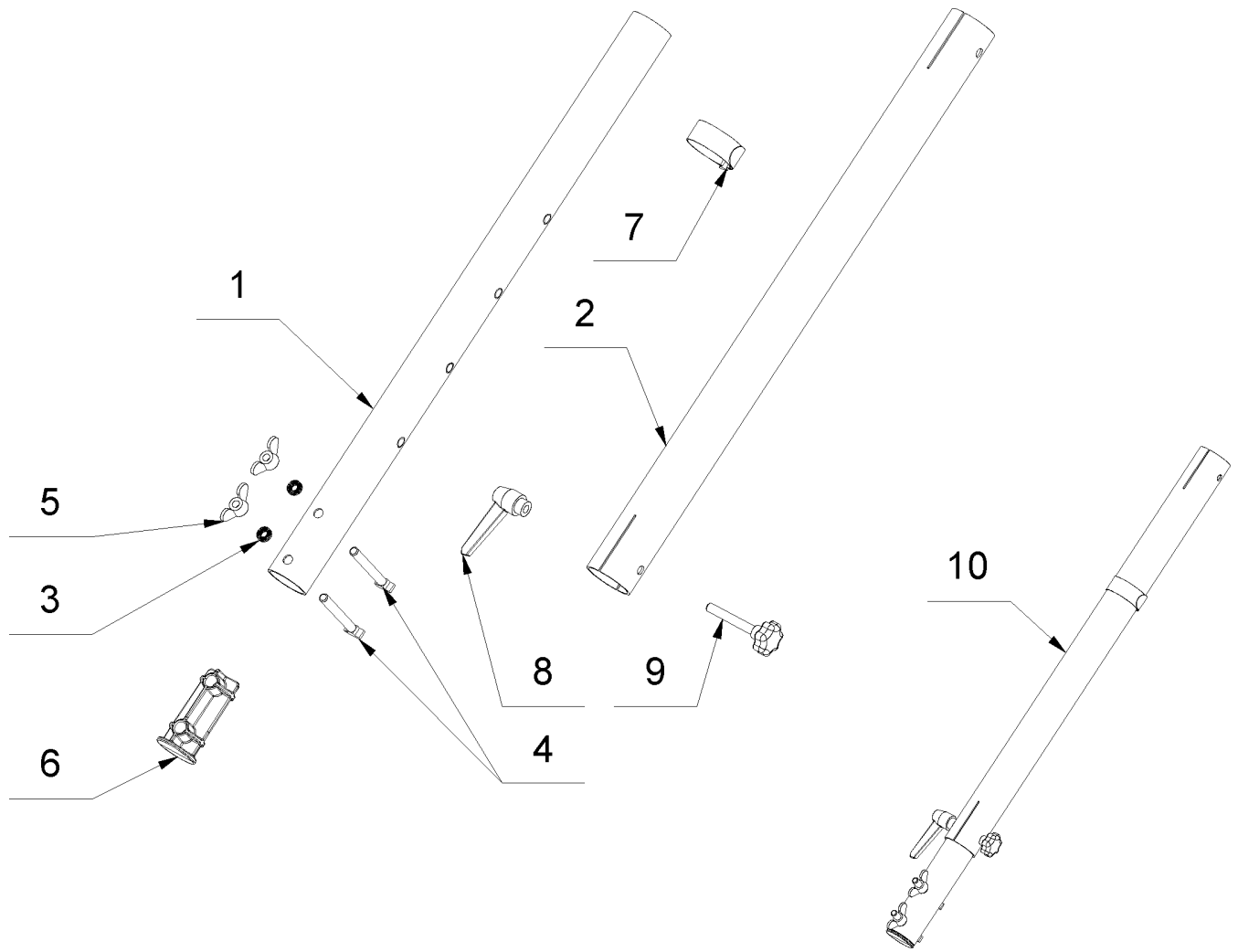
3 Carriage



3 Carriage

| Item no. | Article no. | Description | Quantity |
|----------|-------------|--|----------|
| 1 | 036024 | Chassis cpl.replacement for wheel owners | 1 |
| 2 | 014953 | Transport wheel with needle-bearing | 2 |
| 3 | 017212 | Axel chassis Duro | 1 |
| 4 | 014896 | Pressure spring 17,50x45x3 | 2 |
| 5 | 014881 | Starlock Ø15 with cap | 2 |
| 6 | 014829 | Washer M10 DIN 125 A | 2 |
| 7 | 014817 | Hexagon nut M10 DIN 985 | 2 |
| 8 | 014789 | Stud bolt M10x80 DIN 939 5.8 zined | 2 |
| 9 | 019712 | Carriage complete Duro | 1 |

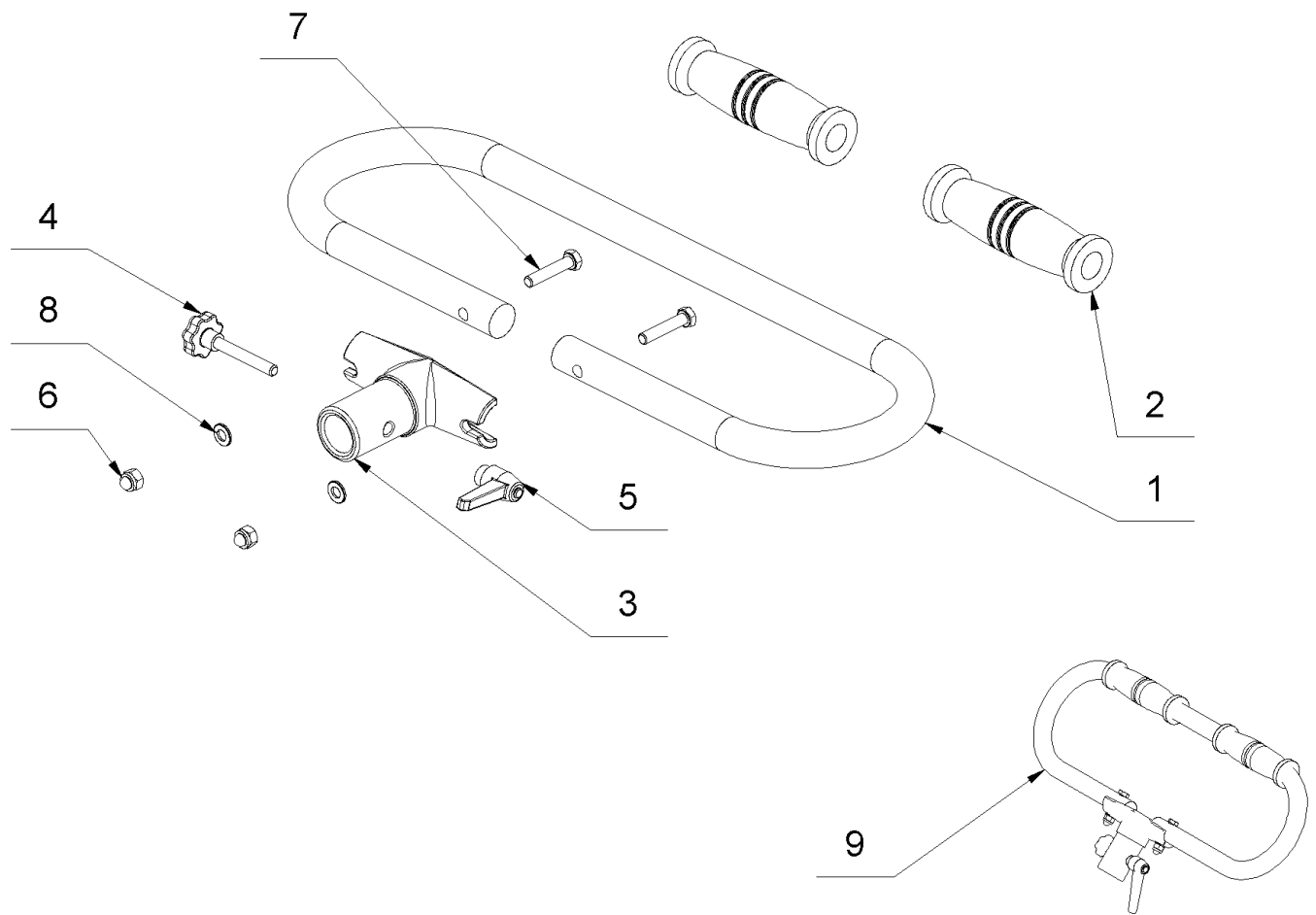
4 Handle tube



4 Handle tube

| Item no. | Article no. | Description | Quantity |
|----------|-------------|--------------------------------|----------|
| 1 | 015226 | Inner tube Duro | 1 |
| 2 | 085139 | Handle Tube cpl. Duro 2.0 | 1 |
| 3 | 014828 | Washer M8 DIN 125 A | 2 |
| 4 | 014768 | T-head bolt M8x70 DIN 186 A | 2 |
| 5 | 014824 | Wing nut M8 DIN 315 | 2 |
| 6 | 074423 | Stopper innertube Duro/EcoStr. | 1 |
| 7 | 178579 | Velcro cable tie 20cm black | 1 |
| 8 | 014877 | Clamping lever M8 Duro | 1 |
| 9 | 014919 | Star grip bolt M8x55 | 1 |
| 10 | 085139 | Handle Tube cpl. Duro 2.0 | 1 |

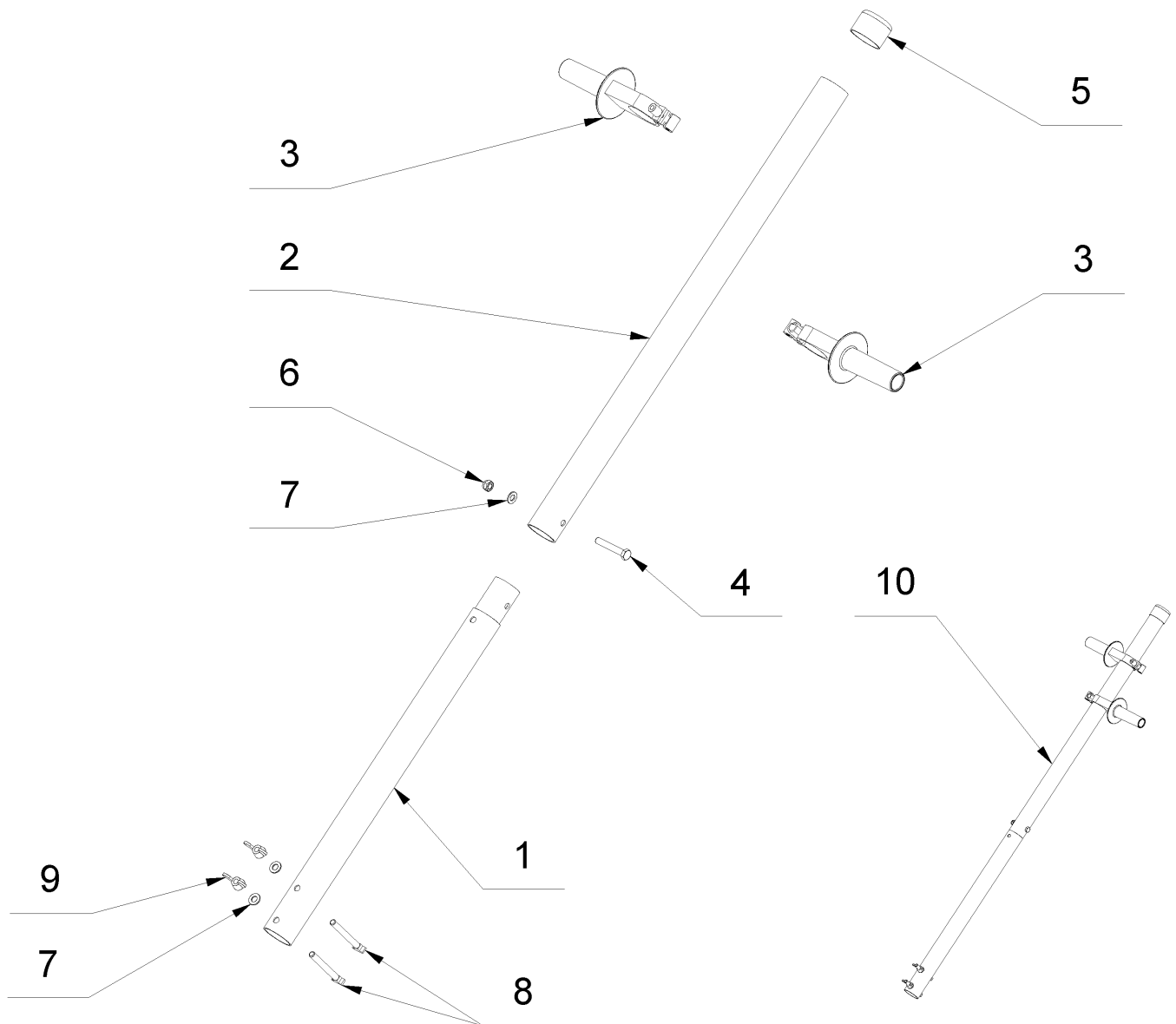
5 Handle bar



5 Handle bar

| Item no. | Article no. | Description | Quantity |
|----------|-------------|------------------------------|----------|
| 1 | 015435 | Handel bar Duro | 1 |
| 2 | 014923 | Grip cover/foam | 2 |
| 3 | 015434 | T-piece Duro | 1 |
| 4 | 014919 | Star grip bolt M8x55 | 1 |
| 5 | 014877 | Clamping lever M8 Duro | 1 |
| 6 | 014825 | Cap nut M8 DIN 986 | 2 |
| 7 | 014776 | Hexagon bolt M 8x 40 DIN 931 | 2 |
| 8 | 014828 | Washer M8 DIN 125 A | 2 |
| 9 | 015052 | Handle bar complete Duro | 1 |

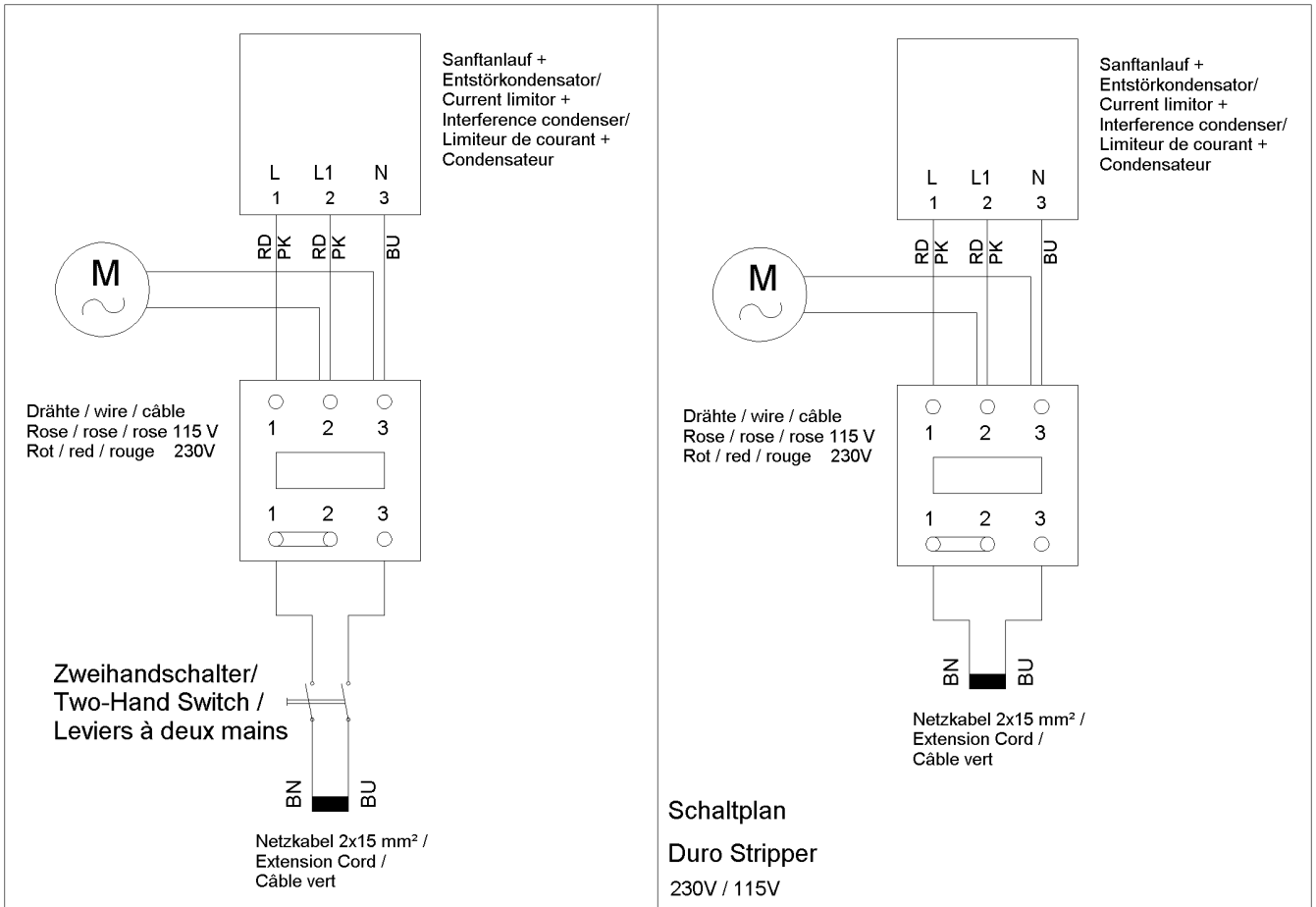
7 Handle tube special



7 Handle tube special

| Item no. | Article no. | Description | Quantity |
|----------|-------------|------------------------------------|----------|
| 1 | 084706 | Handel Duro-Stripper with VG cplt. | 1 |
| 2 | 017574 | Upper handle tube | 1 |
| 3 | 014925 | Special handle Duro | 2 |
| 4 | 017624 | Hexagon bolt M 8x50 DIN 931 | 1 |
| 5 | 014935 | End cap outer tube | 1 |
| 6 | 014816 | Hexagon nut M8 DIN 985 | 1 |
| 7 | 014828 | Washer M8 DIN 125 A | 3 |
| 8 | 014768 | T-head bolt M8x70 DIN 186 A | 2 |
| 9 | 014824 | Wing nut M8 DIN 315 | 2 |
| 10 | 084706 | Handel Duro-Stripper with VG cplt. | 1 |

8 Circuit diagram

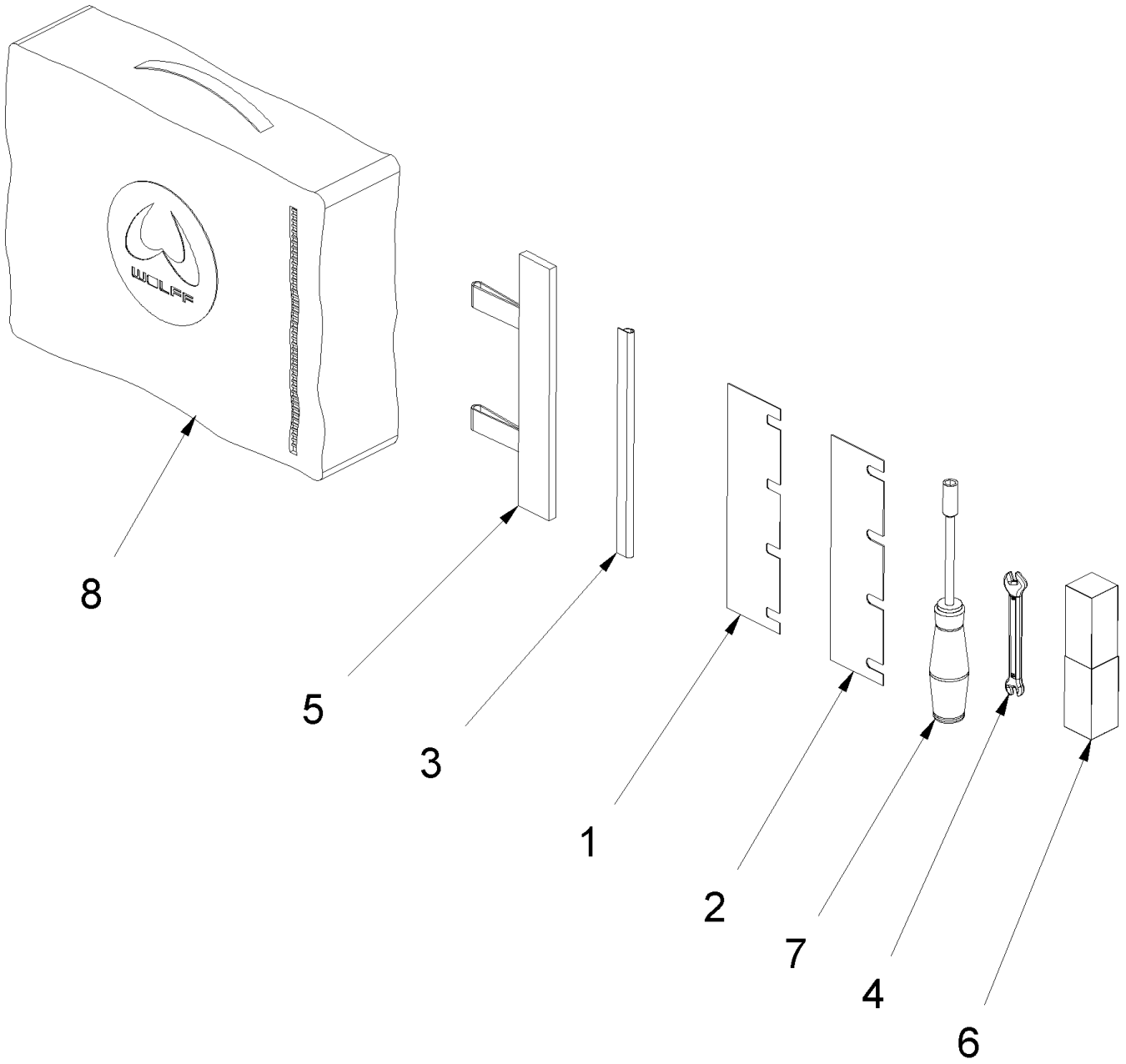


8 Circuit diagram

Item no.

1

9 Tool kit



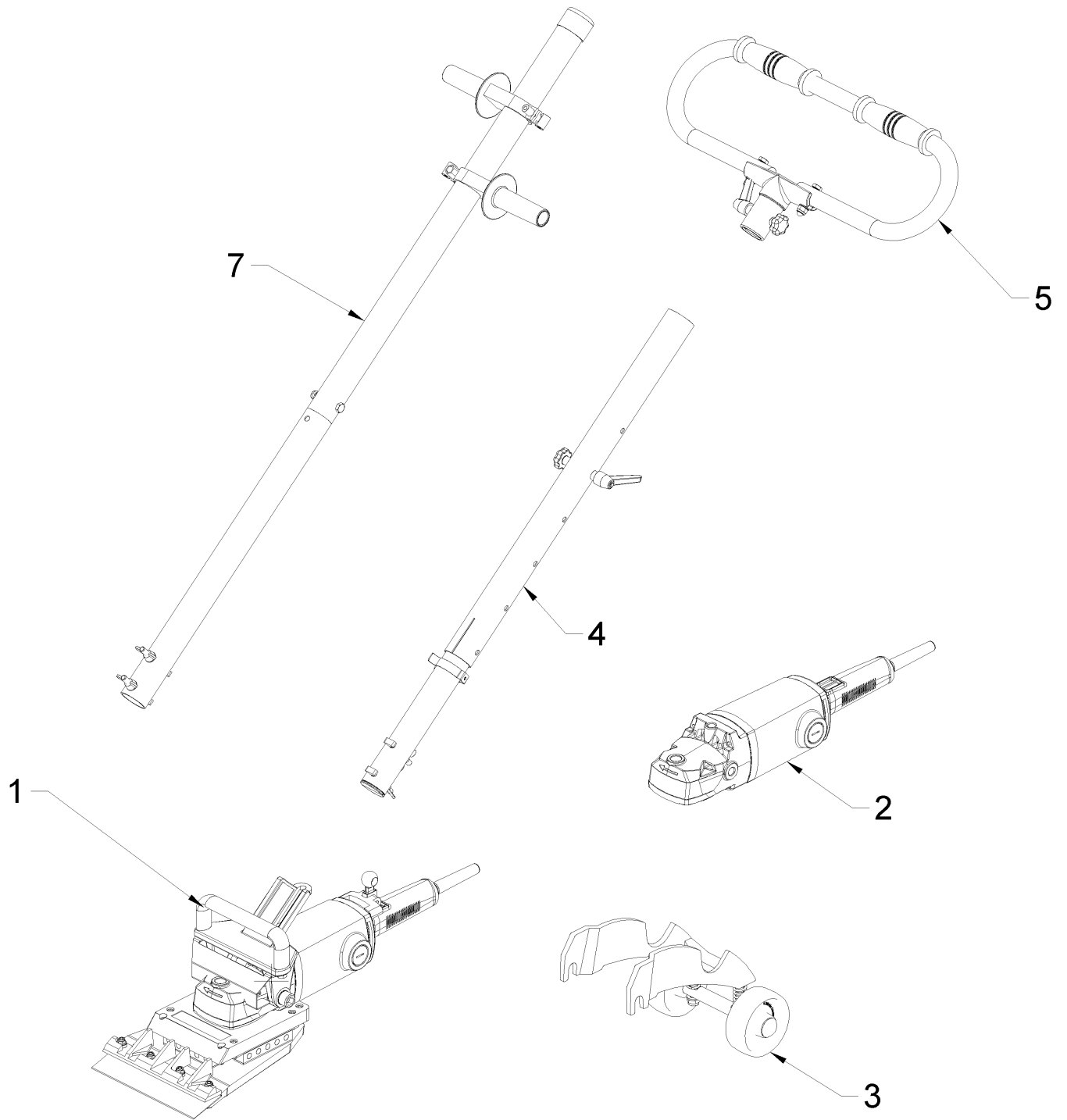
9 Tool kit

| Item no. | Article no. | Description | Quantity |
|----------|-------------|--|----------|
| 1 | 013344 | Spare blades, 210 x 60 x 0,7 mm Duro/Var | 1 |
| 2 | 013345 | Spare blades, 210 x 60 x 1 mm Duro/Vario | 1 |
| 3 | 015229 | Blade protection 210mm | 1 |
| 4 | 017612 | Double fork wrench sw10/13 mm | 1 |
| 5 | 033203 | Blade protection Duro/Vario/Eco/Primo | 1 |
| 6 | 014962 | Plastic box 30x65 SM1200/SM800/Duro/LS | 1 |
| 7 | 017598 | Special key SW10 Wolff | 1 |
| 8 | 054064 | Tool bag green - Wolff | 1 |

10 Accesories

| Article no. | Description |
|-------------|--|
| 013344 | Spare blades, 210 x 60 x 0,7 mm Duro/Var |
| 013346 | Spare blades, 210 x 60 x 1,5 mm Duro/Var |
| 013349 | Carrying case Duro-Stripper |
| 084706 | Handel Duro-Stripper with VG cplt. |
| 013342 | Carpet clamp Premium |
| 065500 | Profi hand sraper Wolff |
| 013345 | Spare blades, 210 x 60 x 1 mm Duro/Vario |
| 048402 | Serrated blade, 210 x 60 x 1mm |
| 016151 | Wheel set Duro Stripper |
| 062700 | Ergo Cutter |
| 051505 | Hand scraper WOLFF |
| 013934 | Floor scraper SEE 34543 |
| 085652 | Duro-Stripper 2.0 230V/50Hz VG |
| 015315 | Hearing protectors |
| 015809 | Safety gloves 1 pair |

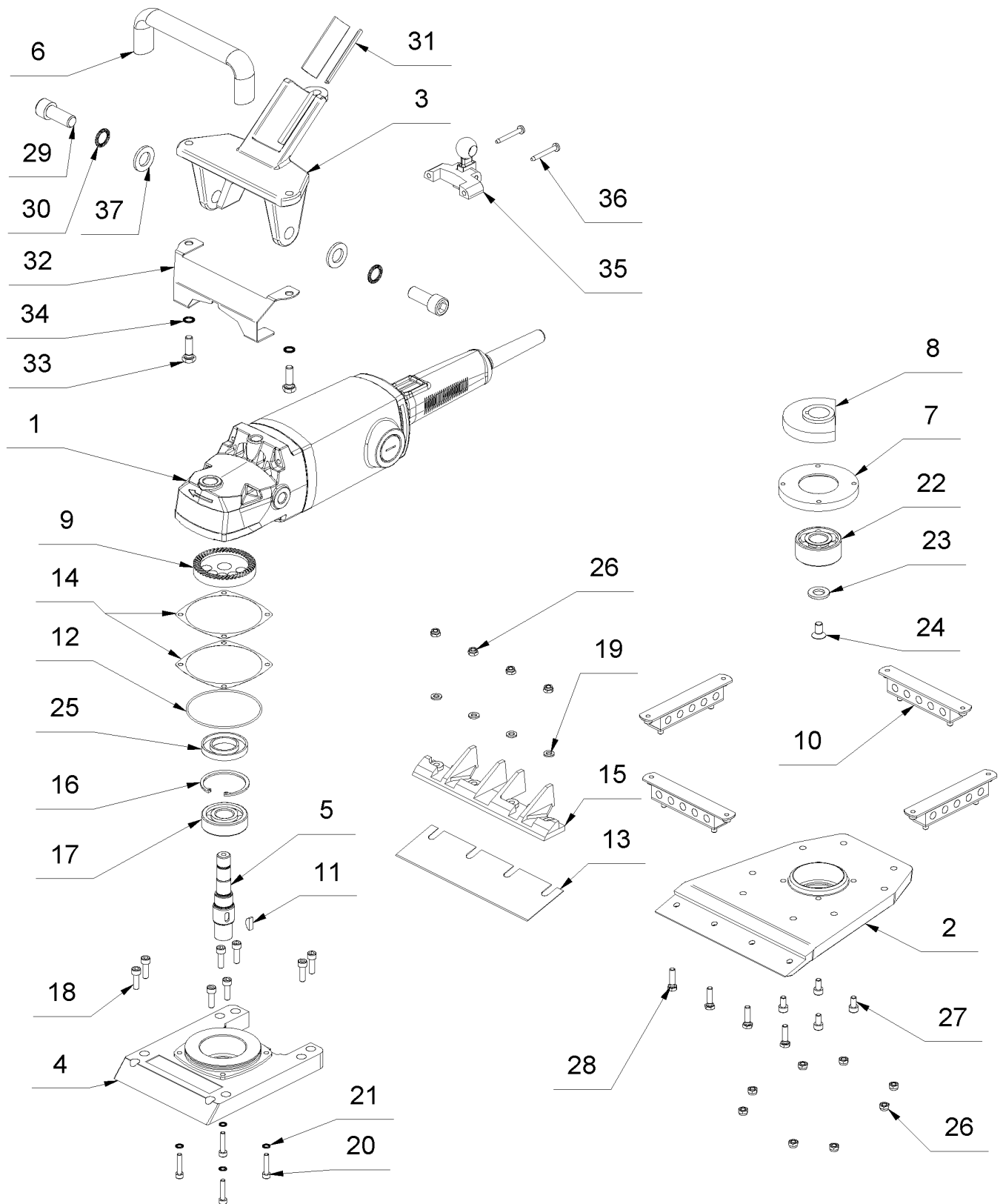
4 Duro Stripper (01/2002-08/2004)



4 Duro Stripper (01/2002-08/2004)

| Item no. | Article no. | Description |
|----------|--------------|---------------------|
| 1 | 04_01_013347 | Basic machine |
| 2 | 01_02_013347 | Motor |
| 3 | 04_03_019713 | Carriage |
| 4 | 01_04_085139 | Handle tube |
| 5 | 03_05_015052 | Handle bar |
| 7 | 01_07_015027 | Handle tube special |
| 8 | 01_08_013347 | Circuit diagram |
| 9 | 01_09_015024 | Tool kit |
| 10 | 01_10_013347 | Accesories |

1 Basic machine



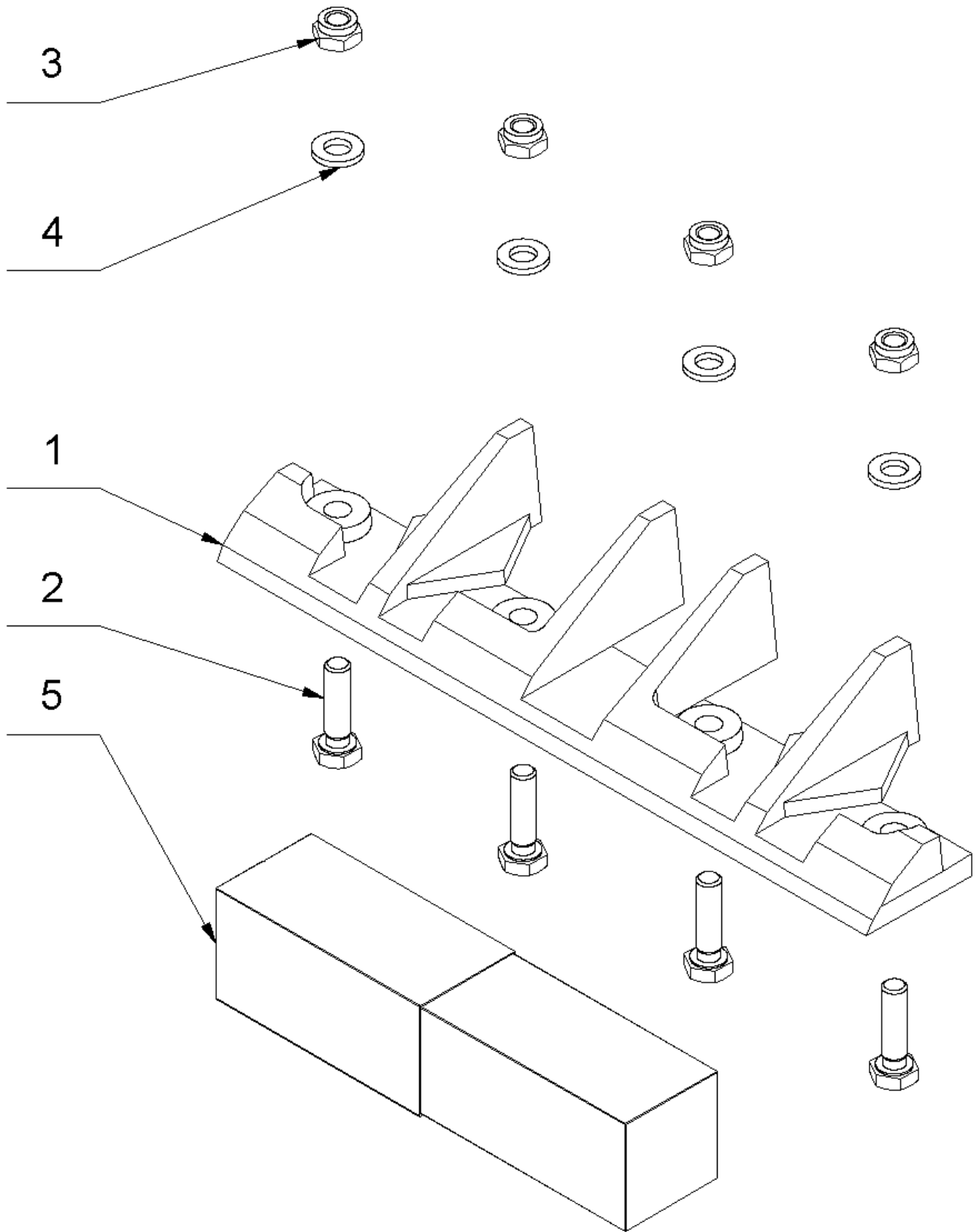
1 Basic machine

| Item no. | Article no. | Description | Quantity |
|----------|-------------|--|----------|
| 1 | 015021 | Motor DURO 230V SEE 085880 | 1 |
| 1 | 017567 | Motor230V reinorange RAL2004 SEE 85883 | 1 |
| 1 | 021593 | Motor 230V yellow RAL1028 SEE 85883 | 1 |
| 1 | 017827 | Motor 230V red RAL3000 SEE 85883 | 1 |
| 2 | 015221 | Striking foot DURO/ECO/Primo | 1 |
| 3 | 015227 | Grip Frame DURO | 1 |
| 4 | 015224 | Bearing plate DURO | 1 |
| 4 | 017846 | Bearing plate Duro orange RAL 2004 | 1 |
| 4 | 021585 | Bearing plate Duro yellow RAL 1028 | 1 |
| 4 | 017844 | Bearing plate Duro red RAL 3000 | 1 |
| 5 | 076729 | Excenter shaft DURO w.nut key from 2014 | 1 |
| 6 | 087346 | Grip 160mm Duro 2.0 | 1 |
| 7 | 015233 | Flange DURO | 1 |
| 8 | 015225 | Balance Disc DURO | 1 |
| 9 | 015234 | Crown wheel Duro | 1 |
| 10 | 014931 | Rubber Bearing Duro/Eco/Primo-Stripper | 4 |
| 11 | 014905 | Spring washer 5x6,5 DIN 6888 | 1 |
| 12 | 015218 | Sealing ring Motor Duro 2.0 | 1 |
| 13 | 013345 | Spare blades, 210 x 60 x 1 mm Duro/Vario | 1 |
| 14 | 016944 | Distance ring 0,3 mm Motor Duro 2.0 | 2 |
| 15 | 036009 | Blade holder set ECO | 1 |
| 16 | 014857 | Safety washer I52 DIN 472 | 1 |
| 17 | 014711 | Ball bearing 6304 | 1 |
| 18 | 014752 | Cylinder head screw M6x20DIN 912 microve | 8 |
| 19 | 014827 | Washer M6 DIN 125 A | 4 |
| 20 | 014750 | Cylinder head bolt M5x25 DIN 912 microv | 4 |
| 21 | 014858 | Schnorr washer M5 | 4 |
| 22 | 014674 | Ball bearing 3304 2RSC3 | 1 |
| 23 | 014830 | Washer M12 DIN 125 A | 1 |
| 24 | 014764 | Countersunk screw M8x16 DIN7991 micro | 1 |
| 25 | 014847 | Shaft seal A28x52x7 NBR | 1 |
| 26 | 014815 | Hexagon nut M6 DIN985 | 12 |
| 27 | 014751 | Cylinder head screw M6x14 DIN 912 mikrov | 4 |
| 28 | 014772 | Hexagon head bolt M 6x22 DIN 933 | 4 |

1 Basic machine

| Item no. | Article no. | Description | Quantity |
|----------|-------------|-----------------------------------|----------|
| 29 | 016139 | Cylinder head bolt M14x35 DIN 912 | 2 |
| 30 | 014863 | Schnorr Washer M14 | 2 |
| 31 | 014932 | Rubber sleeve | 1 |
| 32 | 015433 | Baffle Duro-Stripper | 1 |
| 33 | 014775 | Hexagon bolt M 8x25 DIN 933 | 2 |
| 34 | 014860 | Schnorr Washer M8 | 2 |
| 35 | 015023 | Switch lever Duro | 1 |
| 36 | 014797 | Countersunk screw 5,0x60 | 2 |
| 37 | 017741 | Washer M14 DIN 125 | 2 |

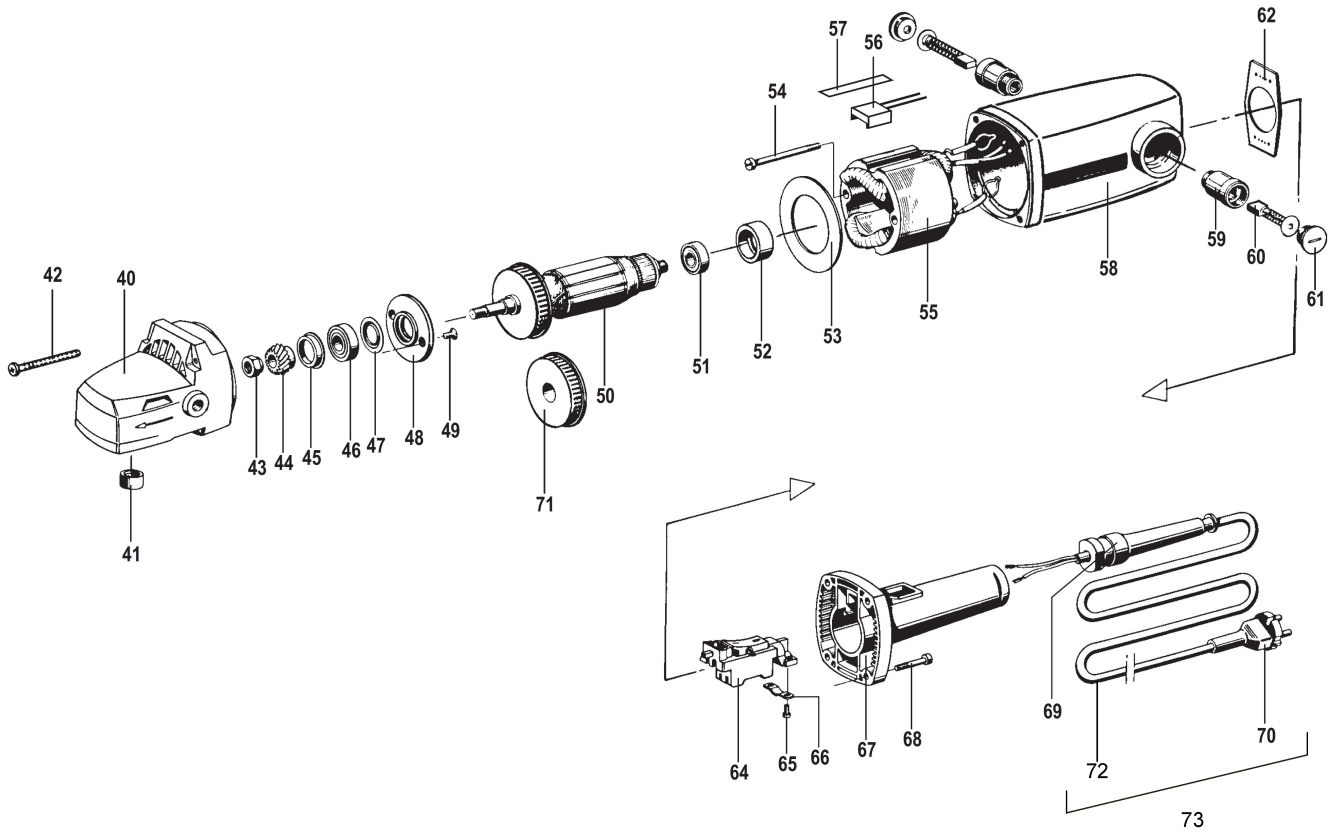
15 Blade holder set ECO



15 Blade holder set ECO

| Item no. | Article no. | Description | Quantity |
|----------|-------------|--|----------|
| 1 | 015223 | Deflector new Duro/Vario/Eco/Primo | 1 |
| 2 | 014772 | Hexagon head bolt M 6x22 DIN 933 | 4 |
| 3 | 014815 | Hexagon nut M6 DIN985 | 4 |
| 4 | 014827 | Washer M6 DIN 125 A | 4 |
| 5 | 014962 | Plastic box 30x65 SM1200/SM800/Duro/LS | 1 |

2 Motor



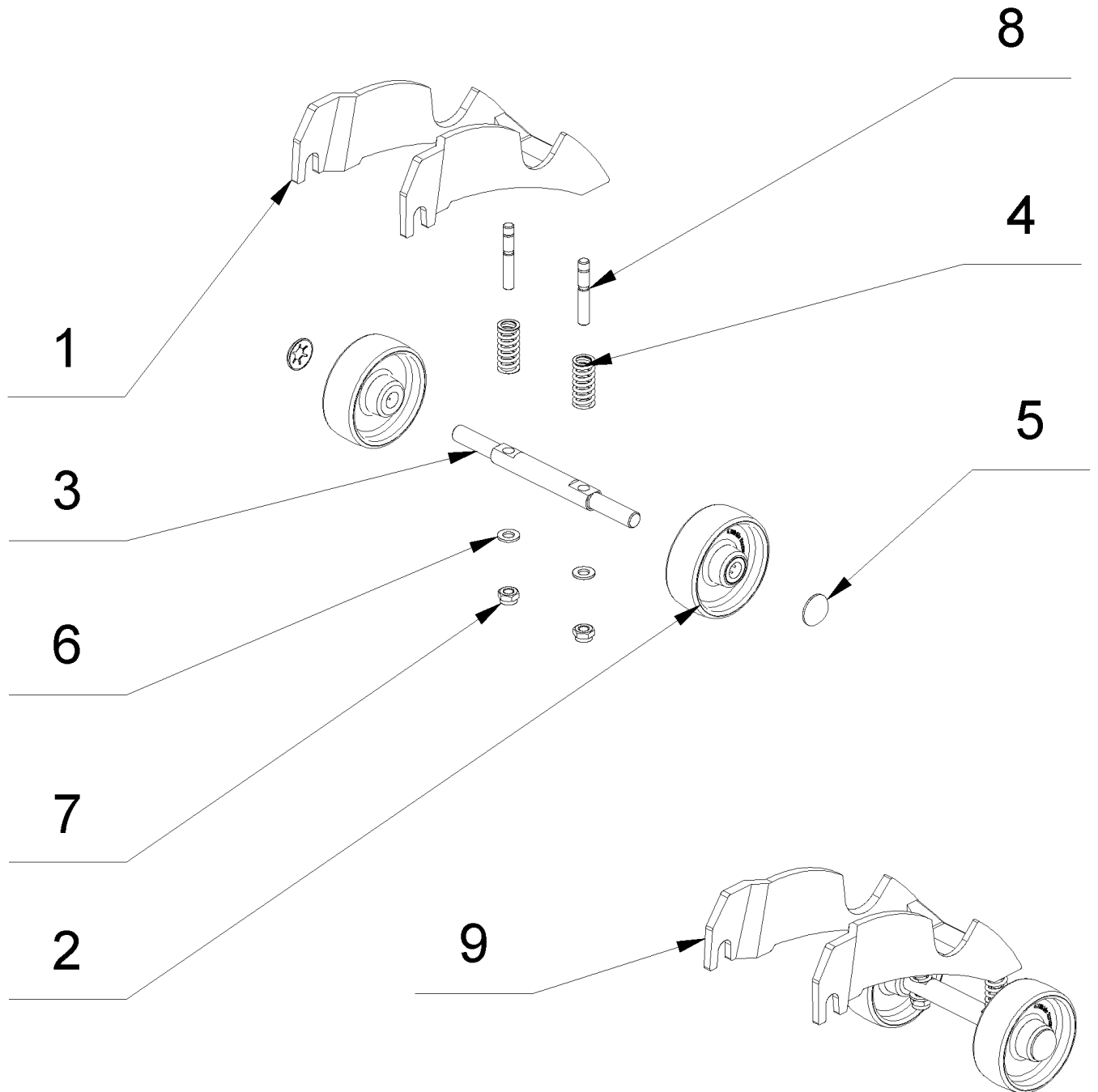
2 Motor

| Item no. | Article no. | Description | Quantity |
|----------|-------------|--|----------|
| 35 | 015023 | Switch lever Duro | 1 |
| 36 | 014797 | Countersunk screw 5,0x60 | 2 |
| 38 | 019014 | Tooth washer V 5,3 DIN 6798 | 2 |
| 40 | 015189 | Gear Block Housing Motor Duro | 1 |
| 41 | 015190 | Needle bearing HK 1512 Motor Duro 2.0 | 1 |
| 42 | 015191 | Cylinder head screw special M5x45 | 4 |
| 43 | 015192 | Hexagon nut M10 fine thread | 1 |
| 44 | 015193 | Pinion gear Duro '44 | 1 |
| 45 | 015194 | Sealing ring Flex BS180/Duro | 1 |
| 46 | 014709 | Ball-bearing 6202 | 1 |
| 47 | 015195 | Sealing ring Flex BS180/Duro | 1 |
| 48 | 015196 | Cover Flex BS180/Duro | 1 |
| 49 | 016312 | Countersunk bolt M5x16 DIN 7991 10.9 | 1 |
| 50 | 015198 | Armature 230 V compl. Duro/Flex | 1 |
| 51 | 014701 | Ball-bearing 6001 2RSC3 | 1 |
| 52 | 015199 | Bearing ring BS180/Duro | 1 |
| 53 | 015200 | Air guide Flex BS180/Duro | 1 |
| 54 | 019523 | Plastic Bolt 5x74 TX25 | 2 |
| 55 | 039398 | Magnetic field Flex BS180 | 1 |
| 56 | 015235 | Current limiter 230V 3adrig BIRO | 1 |
| 57 | 015202 | Insulation no longer available | 1 |
| 58 | 015203 | Motor case with carbon brush holder 230V | 1 |
| 59 | 015205 | Carbon brush holder 230V Duro | 2 |
| 59 | 015206 | Carbon brush holder 115V BS180/Duro | 2 |
| 60 | 014997 | Carbon brush 115V Duro see 10387 | 2 |
| 60 | 016853 | Carbon brush 230 V Duro | 2 |
| 61 | 015207 | Carbon brush cap BS180/Duro | 2 |
| 62 | 015208 | Sealing Plate BS180/Duro | 1 |
| 64 | 015209 | Switch on/off Duro | 1 |
| 65 | 015210 | Lens head screw M 4x12 | 2 |
| 66 | 015211 | Cable clamp Motor Duro 2.0 | 1 |
| 67 | 015212 | Handle Duro | 1 |
| 68 | 014796 | Countersunk screw 5,0x50 | 2 |
| 69 | 015214 | Cable Sleeve | 1 |

2 Motor

| Item no. | Article no. | Description | Quantity |
|----------|-------------|--|----------|
| 70 | 039203 | Plug grey | 1 |
| 70 | 019165 | Plug 230V 3-polig Switzerland | 1 |
| 71 | 015216 | Fan Flex BS180/Duro | 1 |
| 72 | 042160 | Cable 2x2,5 ² x4m black SEE 15215 | 1 |
| 73 | 015215 | Cable 2x1 ² x4m black w.plug | 1 |
| 73 | 083110 | El.cord 2x1 ² x4m 230V w.plug CH | 1 |

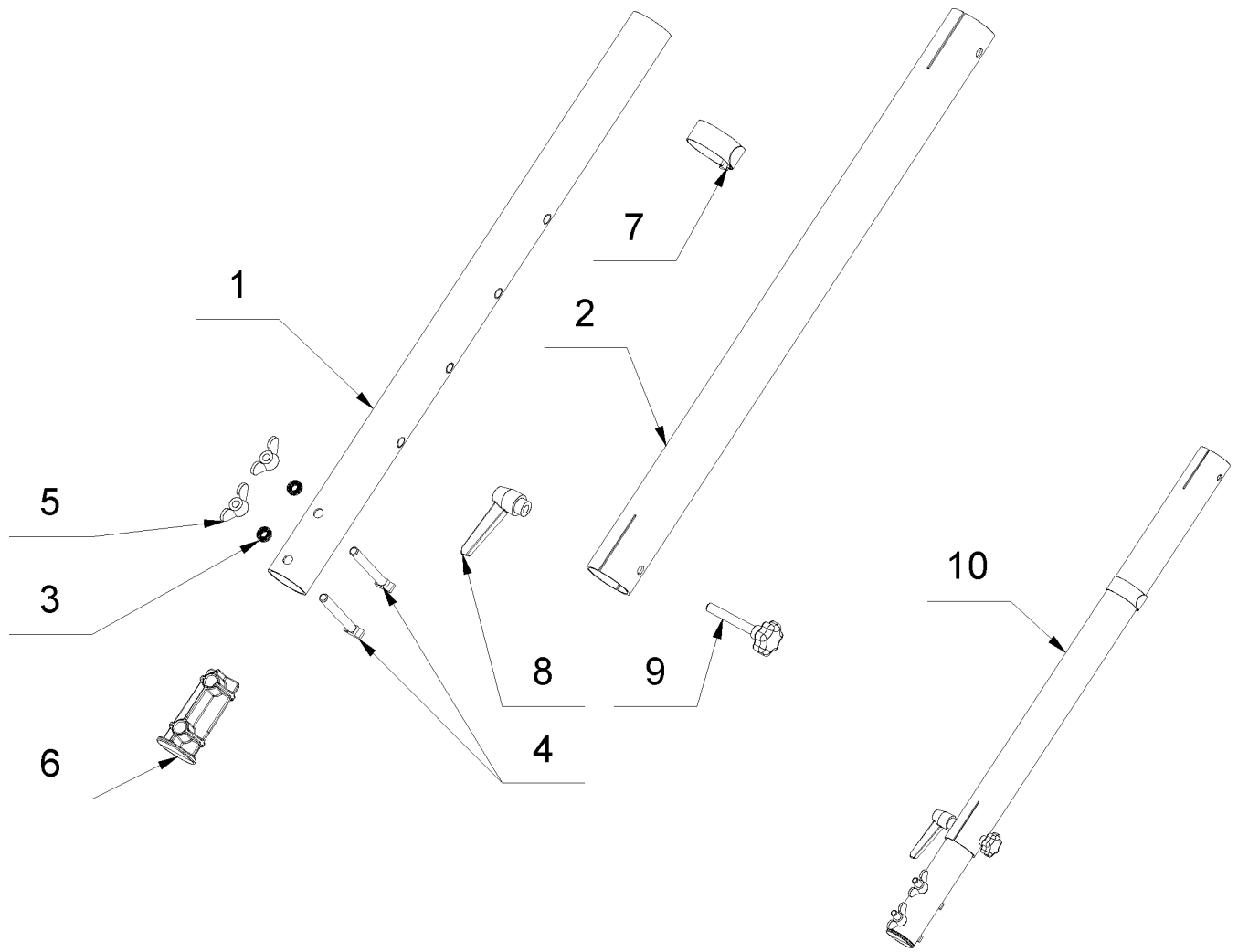
3 Carriage



3 Carriage

| Item no. | Article no. | Description | Quantity |
|----------|-------------|-------------------------------------|----------|
| 1 | 034245 | Chassis cpl. SEE 85357 | 1 |
| 2 | 014953 | Transport wheel with needle-bearing | 2 |
| 3 | 017212 | Axel chassis Duro | 1 |
| 4 | 014896 | Pressure spring 17,50x45x3 | 2 |
| 5 | 014881 | Starlock Ø15 with cap | 2 |
| 6 | 014829 | Washer M10 DIN 125 A | 2 |
| 7 | 014817 | Hexagon nut M10 DIN 985 | 2 |
| 8 | 017022 | Stud bolt M10x65 DIN 939 5.8 blank | 2 |
| 9 | 019712 | Carriage complete Duro | 1 |

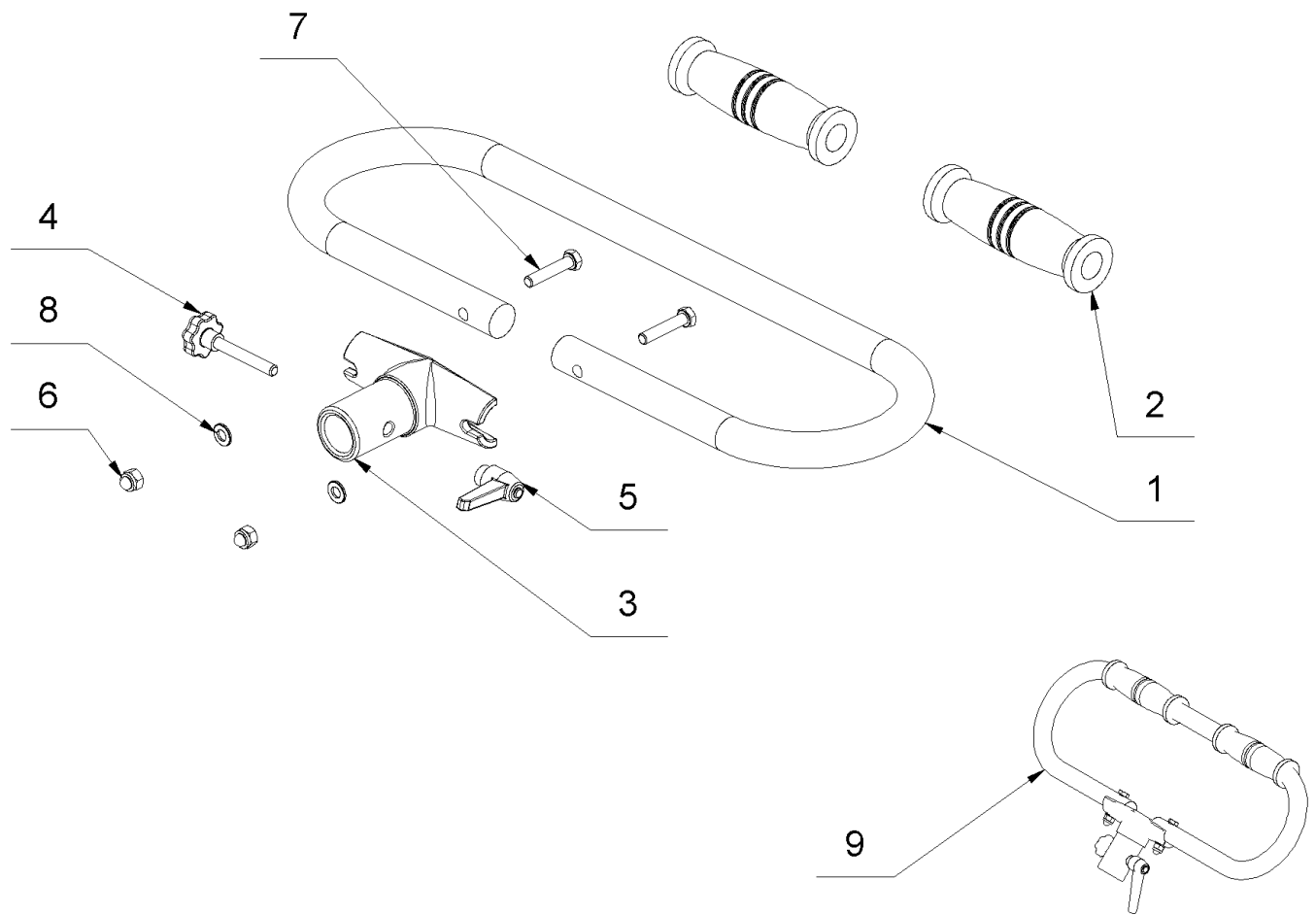
4 Handle tube



4 Handle tube

| Item no. | Article no. | Description | Quantity |
|----------|-------------|--------------------------------|----------|
| 1 | 015226 | Inner tube Duro | 1 |
| 2 | 085139 | Handle Tube cpl. Duro 2.0 | 1 |
| 3 | 014828 | Washer M8 DIN 125 A | 2 |
| 4 | 014768 | T-head bolt M8x70 DIN 186 A | 2 |
| 5 | 014824 | Wing nut M8 DIN 315 | 2 |
| 6 | 074423 | Stopper innertube Duro/EcoStr. | 1 |
| 7 | 178579 | Velcro cable tie 20cm black | 1 |
| 8 | 014877 | Clamping lever M8 Duro | 1 |
| 9 | 014919 | Star grip bolt M8x55 | 1 |
| 10 | 085139 | Handle Tube cpl. Duro 2.0 | 1 |

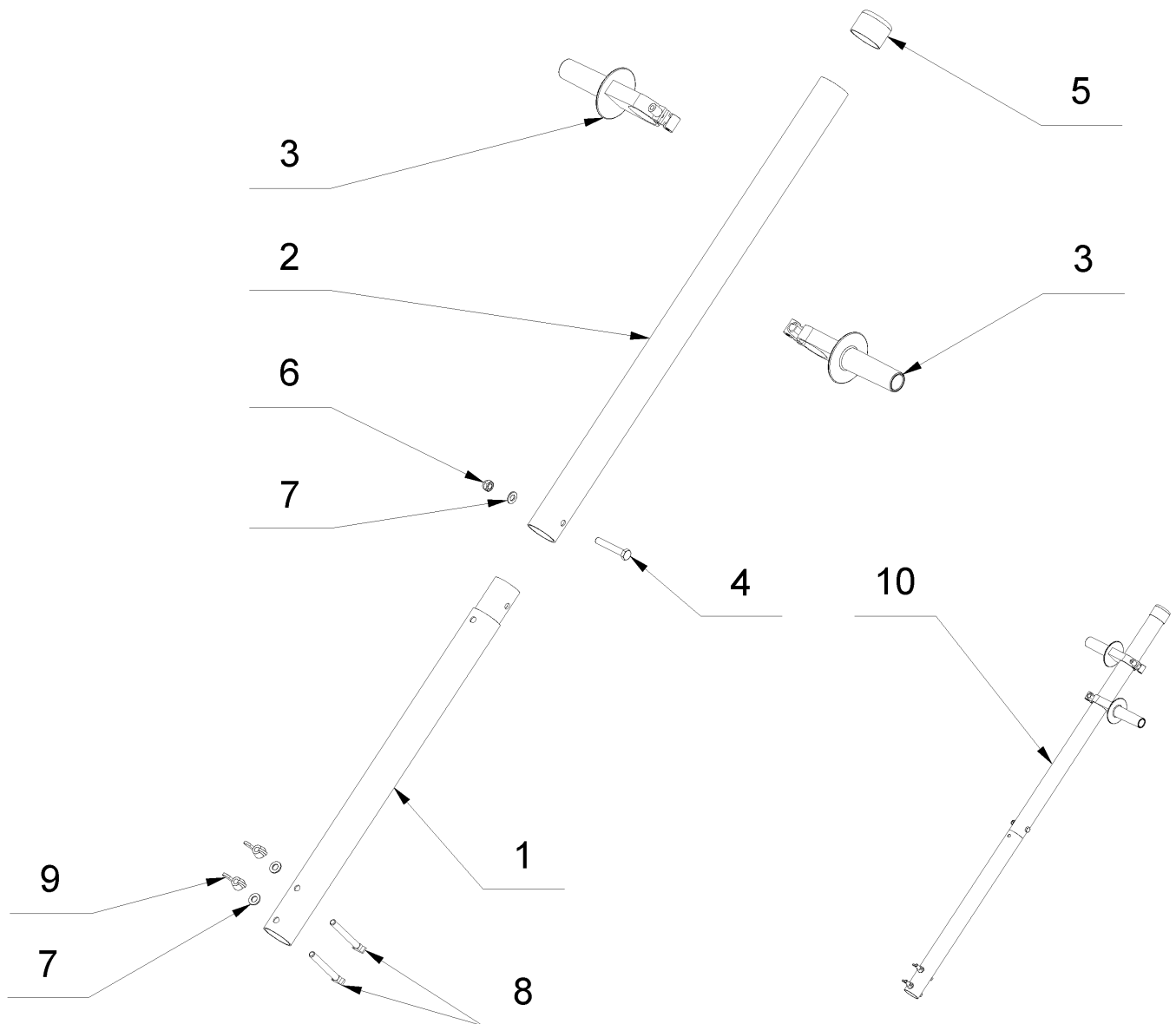
5 Handle bar



5 Handle bar

| Item no. | Article no. | Description | Quantity |
|----------|-------------|------------------------------|----------|
| 1 | 015435 | Handel bar Duro | 1 |
| 2 | 014923 | Grip cover/foam | 2 |
| 3 | 015434 | T-piece Duro | 1 |
| 4 | 014919 | Star grip bolt M8x55 | 1 |
| 5 | 014877 | Clamping lever M8 Duro | 1 |
| 6 | 014825 | Cap nut M8 DIN 986 | 2 |
| 7 | 014776 | Hexagon bolt M 8x 40 DIN 931 | 2 |
| 8 | 014828 | Washer M8 DIN 125 A | 2 |
| 9 | 015052 | Handle bar complete Duro | 1 |

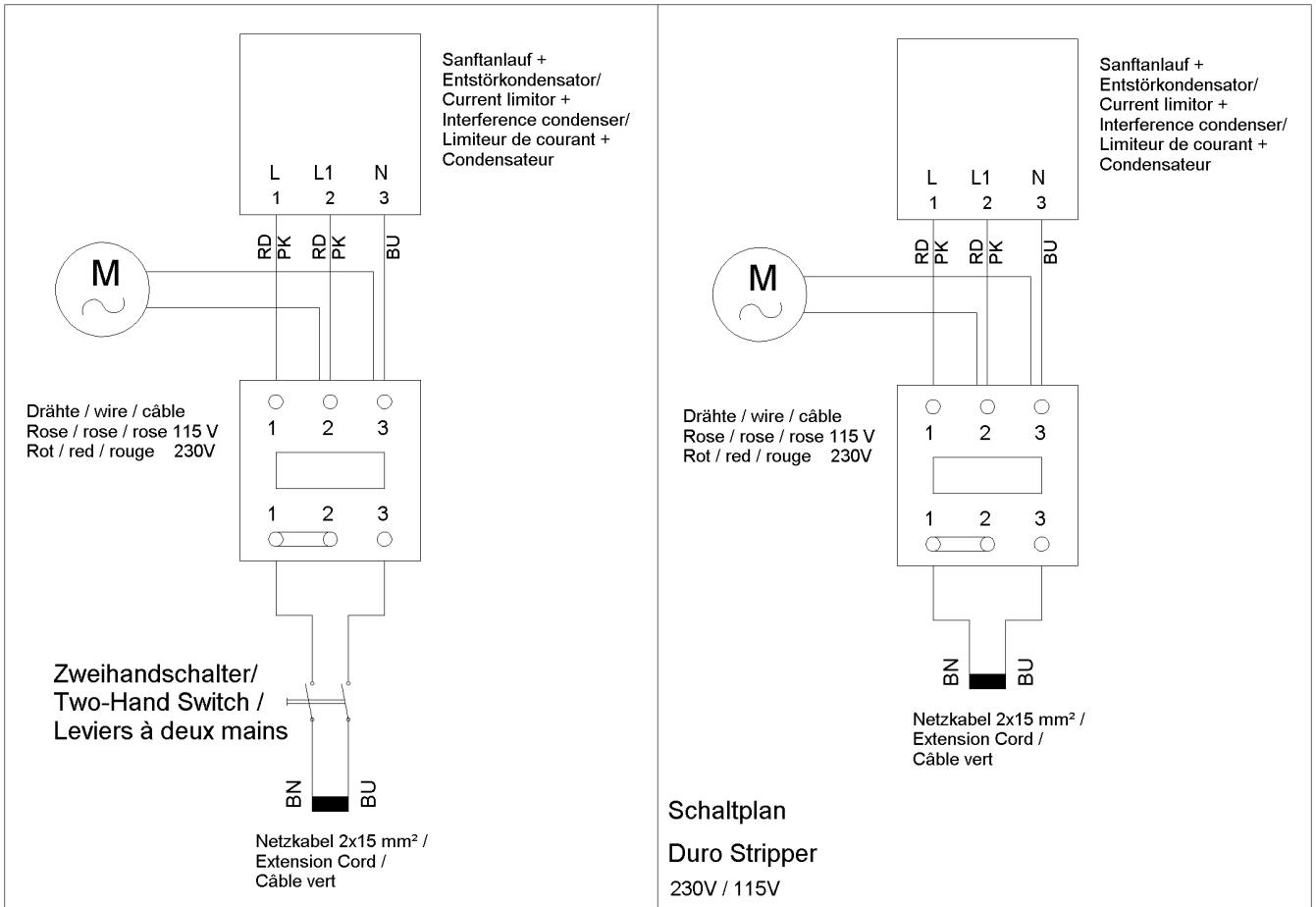
7 Handle tube special



7 Handle tube special

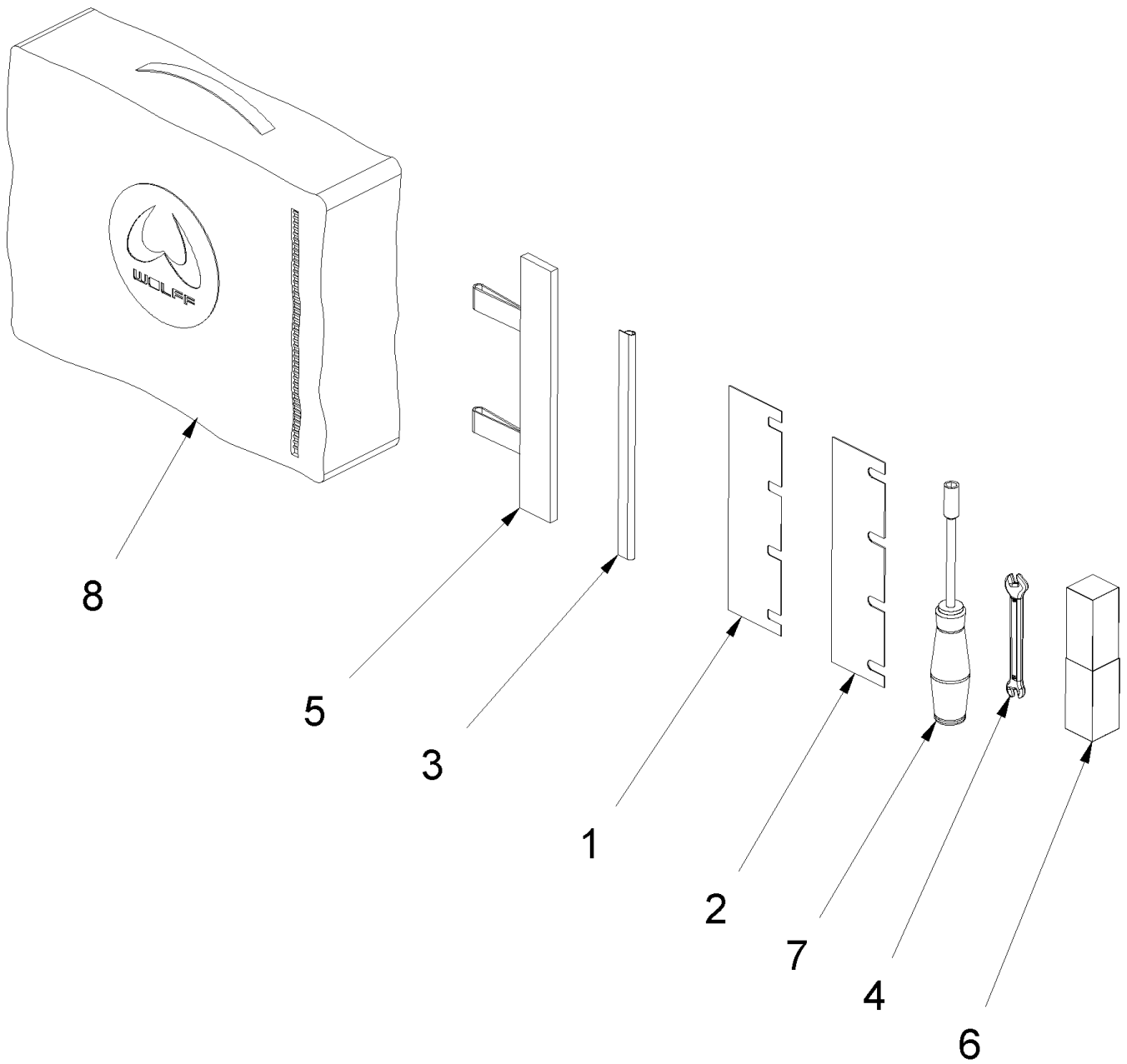
| Item no. | Article no. | Description | Quantity |
|----------|-------------|------------------------------------|----------|
| 1 | 084706 | Handel Duro-Stripper with VG cplt. | 1 |
| 2 | 017574 | Upper handle tube | 1 |
| 3 | 014925 | Special handle Duro | 2 |
| 4 | 017624 | Hexagon bolt M 8x50 DIN 931 | 1 |
| 5 | 014935 | End cap outer tube | 1 |
| 6 | 014816 | Hexagon nut M8 DIN 985 | 1 |
| 7 | 014828 | Washer M8 DIN 125 A | 3 |
| 8 | 014768 | T-head bolt M8x70 DIN 186 A | 2 |
| 9 | 014824 | Wing nut M8 DIN 315 | 2 |
| 10 | 084706 | Handel Duro-Stripper with VG cplt. | 1 |

8 Circuit diagram



8 Circuit diagram

9 Tool kit



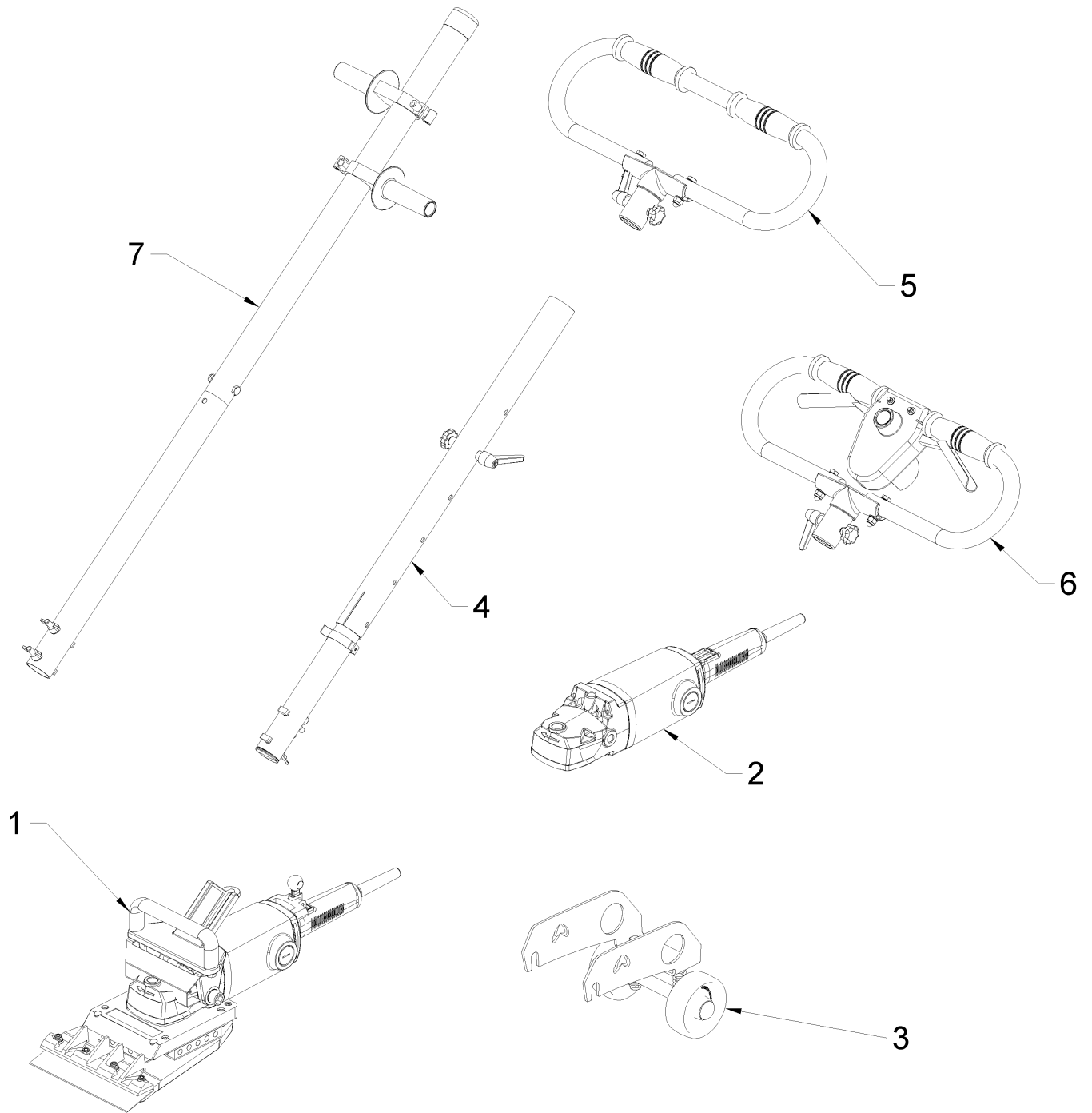
9 Tool kit

| Item no. | Article no. | Description | Quantity |
|----------|-------------|--|----------|
| 1 | 013344 | Spare blades, 210 x 60 x 0,7 mm Duro/Var | 1 |
| 2 | 013345 | Spare blades, 210 x 60 x 1 mm Duro/Vario | 1 |
| 3 | 015229 | Blade protection 210mm | 1 |
| 4 | 017612 | Double fork wrench sw10/13 mm | 1 |
| 5 | 033203 | Blade protection Duro/Vario/Eco/Primo | 1 |
| 6 | 014962 | Plastic box 30x65 SM1200/SM800/Duro/LS | 1 |
| 7 | 017598 | Special key SW10 Wolff | 1 |
| 8 | 054064 | Tool bag green - Wolff | 1 |

10 Accesories

| Article no. | Description |
|-------------|--|
| 013344 | Spare blades, 210 x 60 x 0,7 mm Duro/Var |
| 013346 | Spare blades, 210 x 60 x 1,5 mm Duro/Var |
| 013349 | Carrying case Duro-Stripper |
| 084706 | Handel Duro-Stripper with VG cplt. |
| 013342 | Carpet clamp Premium |
| 065500 | Profi hand sraper Wolff |
| 013345 | Spare blades, 210 x 60 x 1 mm Duro/Vario |
| 048402 | Serrated blade, 210 x 60 x 1mm |
| 016151 | Wheel set Duro Stripper |
| 062700 | Ergo Cutter |
| 051505 | Hand scraper WOLFF |
| 013934 | Floor scraper SEE 34543 |
| 085652 | Duro-Stripper 2.0 230V/50Hz VG |
| 015315 | Hearing protectors |
| 015809 | Safety gloves 1 pair |

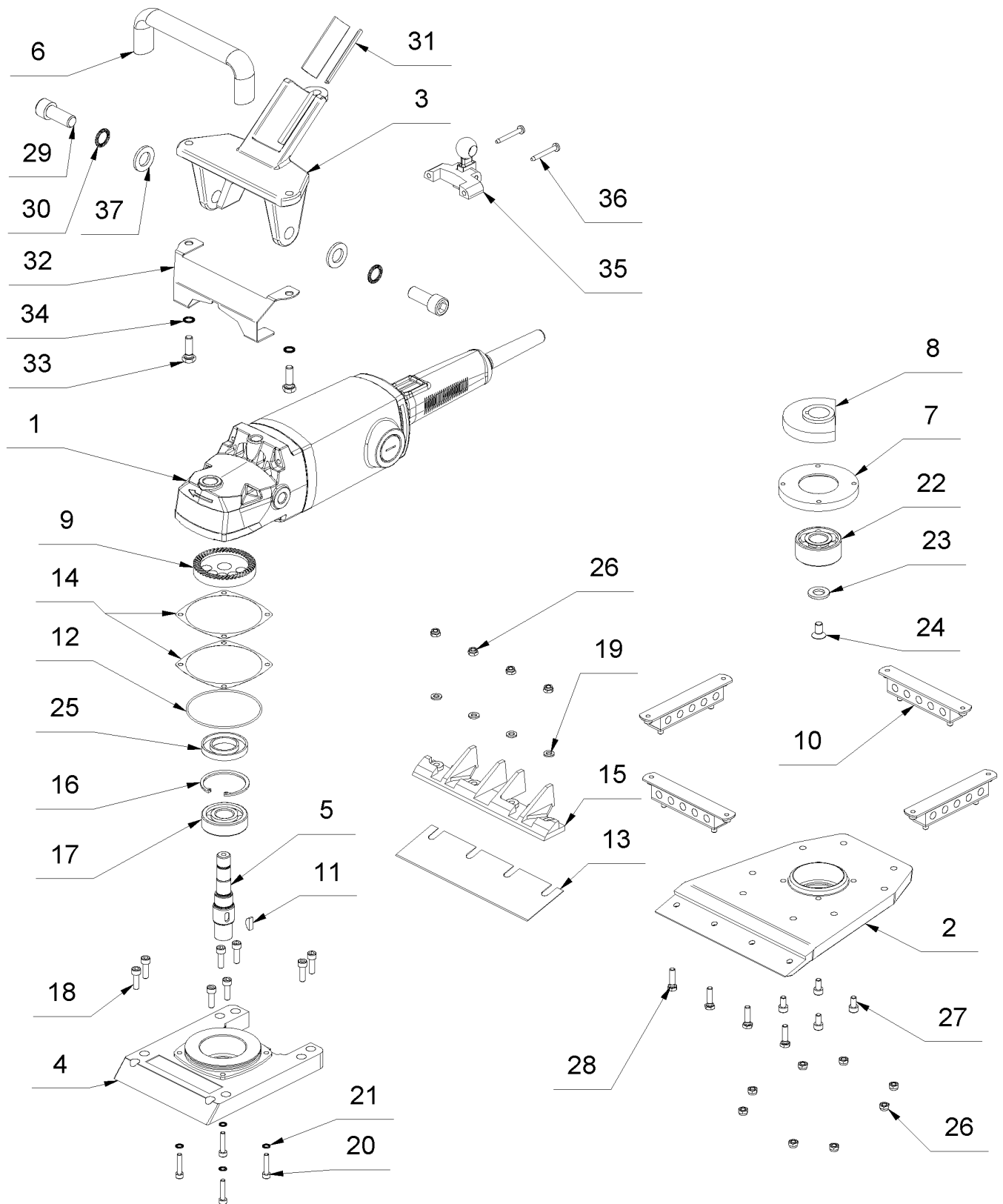
5 Duro Stripper (09/2004-07/2014)



5 Duro Stripper (09/2004-07/2014)

| Item no. | Article no. | Description |
|----------|--------------|---------------------|
| 1 | 04_01_013347 | Basic machine |
| 2 | 01_02_013347 | Motor |
| 3 | 05_03_019712 | Carriage |
| 4 | 01_04_085139 | Handle tube |
| 5 | 03_05_015052 | Handle bar |
| 6 | 05_06_017009 | Tripus handle bar |
| 7 | 01_07_015027 | Handle tube special |
| 8 | 01_08_013347 | Circuit diagram |
| 9 | 01_09_015024 | Tool kit |
| 10 | 01_10_013347 | Accesories |

1 Basic machine



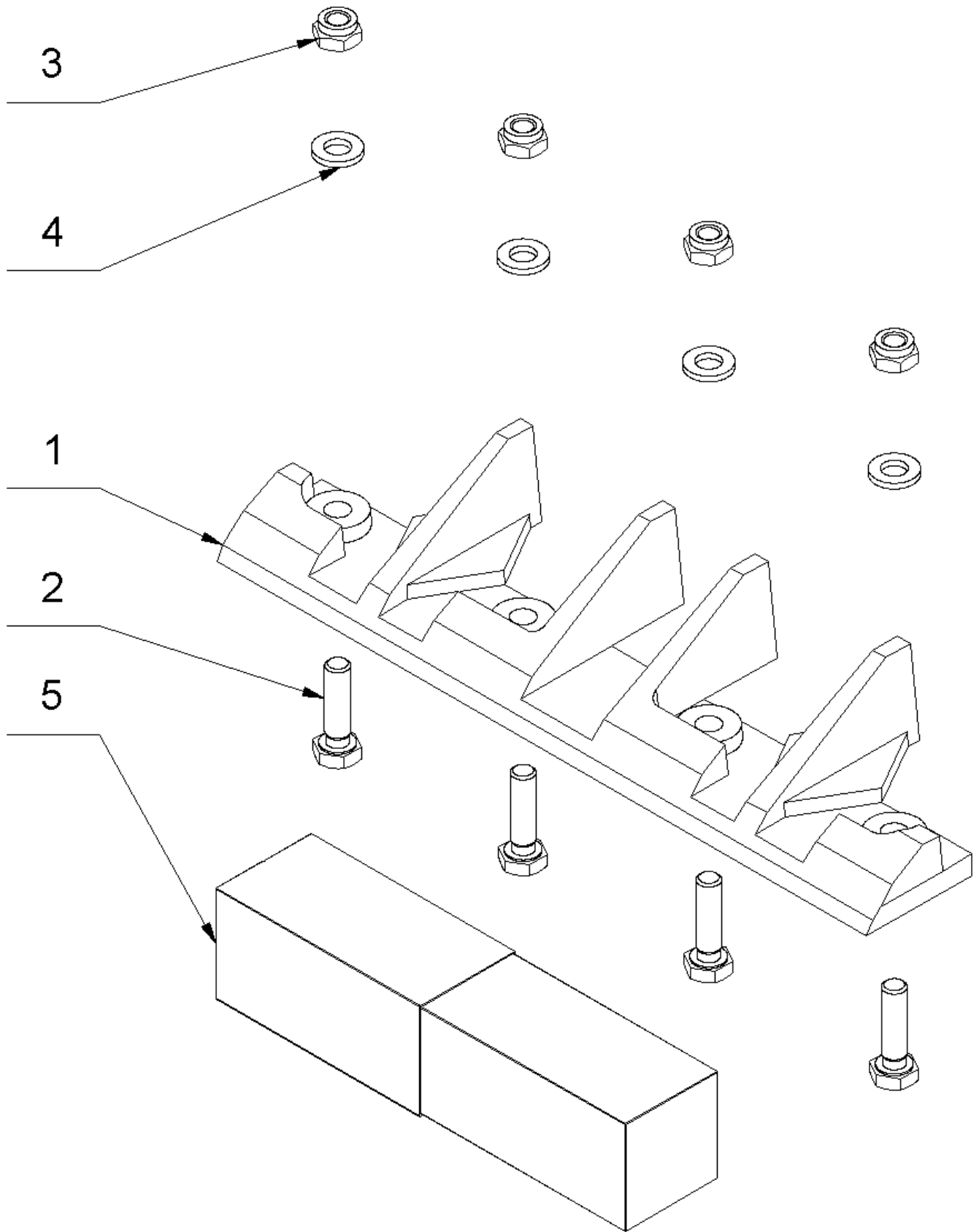
1 Basic machine

| Item no. | Article no. | Description | Quantity |
|----------|-------------|--|----------|
| 1 | 015021 | Motor DURO 230V SEE 085880 | 1 |
| 1 | 017567 | Motor230V reinorange RAL2004 SEE 85883 | 1 |
| 1 | 021593 | Motor 230V yellow RAL1028 SEE 85883 | 1 |
| 1 | 017827 | Motor 230V red RAL3000 SEE 85883 | 1 |
| 2 | 015221 | Striking foot DURO/ECO/Primo | 1 |
| 3 | 015227 | Grip Frame DURO | 1 |
| 4 | 015224 | Bearing plate DURO | 1 |
| 4 | 017846 | Bearing plate Duro orange RAL 2004 | 1 |
| 4 | 021585 | Bearing plate Duro yellow RAL 1028 | 1 |
| 4 | 017844 | Bearing plate Duro red RAL 3000 | 1 |
| 5 | 076729 | Excenter shaft DURO w.nut key from 2014 | 1 |
| 6 | 087346 | Grip 160mm Duro 2.0 | 1 |
| 7 | 015233 | Flange DURO | 1 |
| 8 | 015225 | Balance Disc DURO | 1 |
| 9 | 015234 | Crown wheel Duro | 1 |
| 10 | 014931 | Rubber Bearing Duro/Eco/Primo-Stripper | 4 |
| 11 | 014905 | Spring washer 5x6,5 DIN 6888 | 1 |
| 12 | 015218 | Sealing ring Motor Duro 2.0 | 1 |
| 13 | 013345 | Spare blades, 210 x 60 x 1 mm Duro/Vario | 1 |
| 14 | 016944 | Distance ring 0,3 mm Motor Duro 2.0 | 2 |
| 15 | 036009 | Blade holder set ECO | 1 |
| 16 | 014857 | Safety washer I52 DIN 472 | 1 |
| 17 | 014711 | Ball bearing 6304 | 1 |
| 18 | 014752 | Cylinder head screw M6x20DIN 912 microve | 8 |
| 19 | 014827 | Washer M6 DIN 125 A | 4 |
| 20 | 014750 | Cylinder head bolt M5x25 DIN 912 microv | 4 |
| 21 | 014858 | Schnorr washer M5 | 4 |
| 22 | 014674 | Ball bearing 3304 2RSC3 | 1 |
| 23 | 014830 | Washer M12 DIN 125 A | 1 |
| 24 | 014764 | Countersunk screw M8x16 DIN7991 micro | 1 |
| 25 | 014847 | Shaft seal A28x52x7 NBR | 1 |
| 26 | 014815 | Hexagon nut M6 DIN985 | 12 |
| 27 | 014751 | Cylinder head screw M6x14 DIN 912 mikrov | 4 |
| 28 | 014772 | Hexagon head bolt M 6x22 DIN 933 | 4 |

1 Basic machine

| Item no. | Article no. | Description | Quantity |
|----------|-------------|-----------------------------------|----------|
| 29 | 016139 | Cylinder head bolt M14x35 DIN 912 | 2 |
| 30 | 014863 | Schnorr Washer M14 | 2 |
| 31 | 014932 | Rubber sleeve | 1 |
| 32 | 015433 | Baffle Duro-Stripper | 1 |
| 33 | 014775 | Hexagon bolt M 8x25 DIN 933 | 2 |
| 34 | 014860 | Schnorr Washer M8 | 2 |
| 35 | 015023 | Switch lever Duro | 1 |
| 36 | 014797 | Countersunk screw 5,0x60 | 2 |
| 37 | 017741 | Washer M14 DIN 125 | 2 |

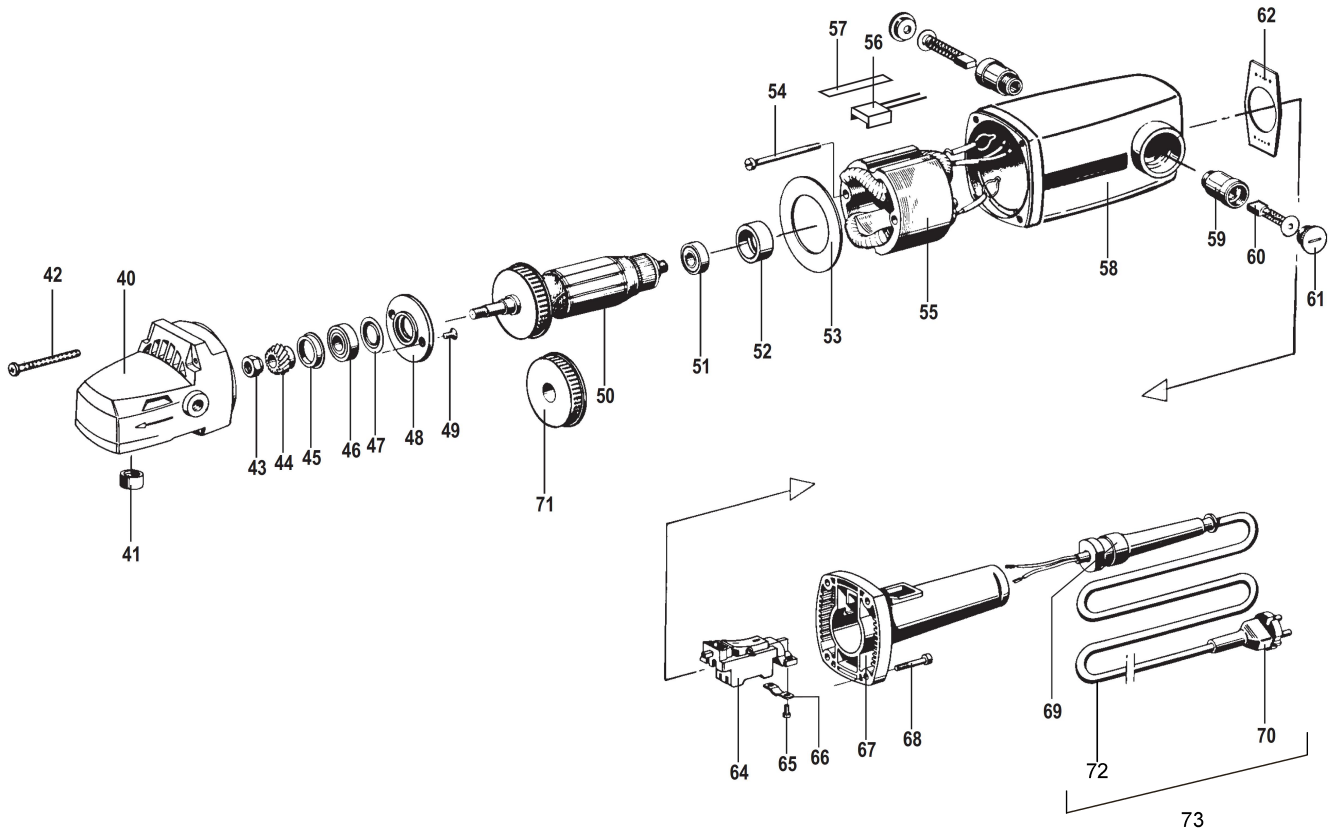
15 Blade holder set ECO



15 Blade holder set ECO

| Item no. | Article no. | Description | Quantity |
|----------|-------------|--|----------|
| 1 | 015223 | Deflector new Duro/Vario/Eco/Primo | 1 |
| 2 | 014772 | Hexagon head bolt M 6x22 DIN 933 | 4 |
| 3 | 014815 | Hexagon nut M6 DIN985 | 4 |
| 4 | 014827 | Washer M6 DIN 125 A | 4 |
| 5 | 014962 | Plastic box 30x65 SM1200/SM800/Duro/LS | 1 |

2 Motor



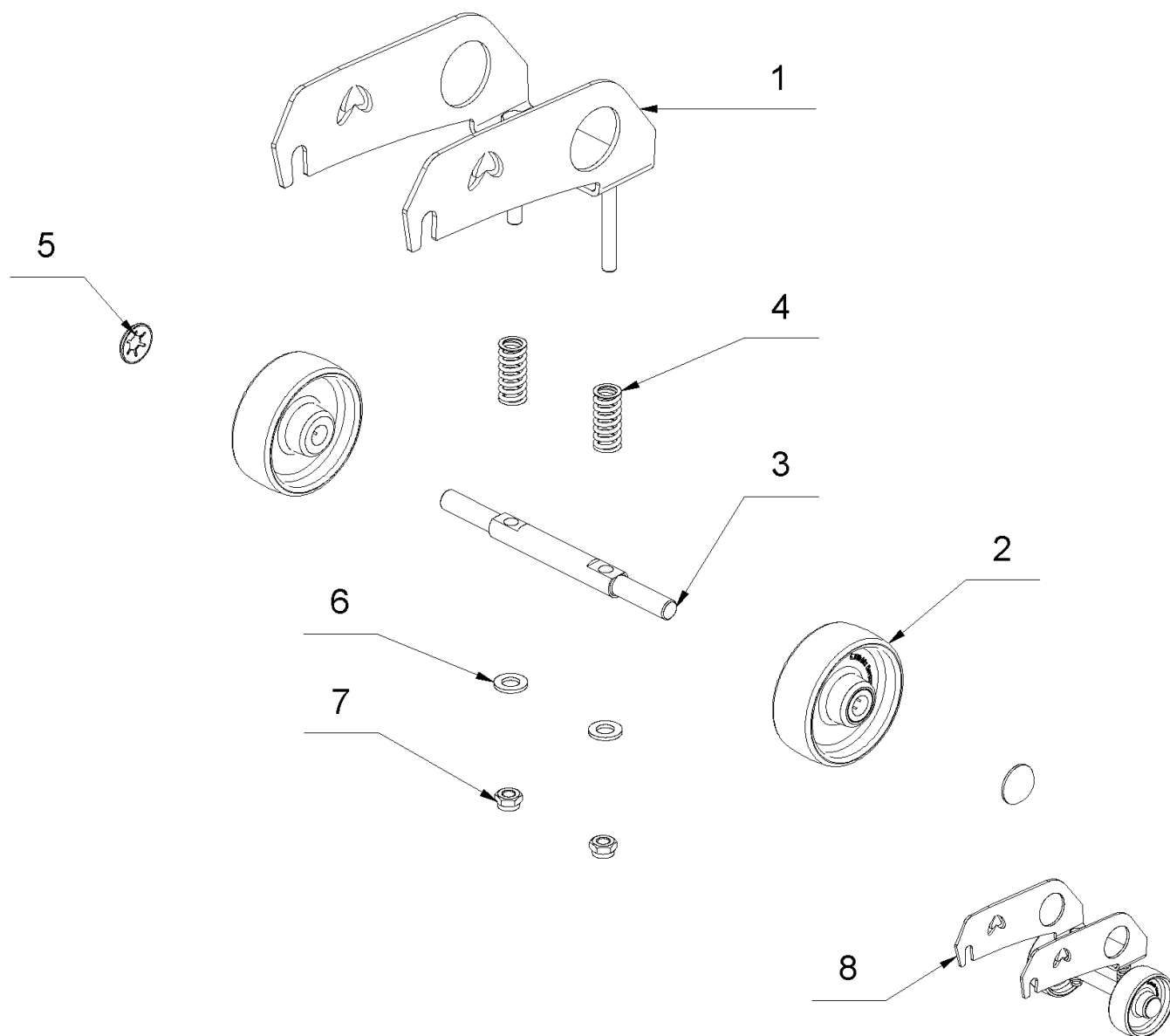
2 Motor

| Item no. | Article no. | Description | Quantity |
|----------|-------------|--|----------|
| 35 | 015023 | Switch lever Duro | 1 |
| 36 | 014797 | Countersunk screw 5,0x60 | 2 |
| 38 | 019014 | Tooth washer V 5,3 DIN 6798 | 2 |
| 40 | 015189 | Gear Block Housing Motor Duro | 1 |
| 41 | 015190 | Needle bearing HK 1512 Motor Duro 2.0 | 1 |
| 42 | 015191 | Cylinder head screw special M5x45 | 4 |
| 43 | 015192 | Hexagon nut M10 fine thread | 1 |
| 44 | 015193 | Pinion gear Duro '44 | 1 |
| 45 | 015194 | Sealing ring Flex BS180/Duro | 1 |
| 46 | 014709 | Ball-bearing 6202 | 1 |
| 47 | 015195 | Sealing ring Flex BS180/Duro | 1 |
| 48 | 015196 | Cover Flex BS180/Duro | 1 |
| 49 | 016312 | Countersunk bolt M5x16 DIN 7991 10.9 | 1 |
| 50 | 015198 | Armature 230 V compl. Duro/Flex | 1 |
| 51 | 014701 | Ball-bearing 6001 2RSC3 | 1 |
| 52 | 015199 | Bearing ring BS180/Duro | 1 |
| 53 | 015200 | Air guide Flex BS180/Duro | 1 |
| 54 | 019523 | Plastic Bolt 5x74 TX25 | 2 |
| 55 | 039398 | Magnetic field Flex BS180 | 1 |
| 56 | 015235 | Current limiter 230V 3adrig BIRO | 1 |
| 56 | 015236 | Current limiter 115V 3adrig BIRO | 1 |
| 57 | 015202 | Insulation no longer available | 1 |
| 58 | 015203 | Motor case with carbon brush holder 230V | 1 |
| 59 | 015205 | Carbon brush holder 230V Duro | 2 |
| 60 | 016853 | Carbon brush 230 V Duro | 2 |
| 61 | 015207 | Carbon brush cap BS180/Duro | 2 |
| 62 | 015208 | Sealing Plate BS180/Duro | 1 |
| 64 | 015209 | Switch on/off Duro | 1 |
| 65 | 015210 | Lens head screw M 4x12 | 2 |
| 66 | 015211 | Cable clamp Motor Duro 2.0 | 1 |
| 67 | 015212 | Handle Duro | 1 |
| 68 | 014796 | Countersunk screw 5,0x50 | 2 |
| 69 | 015214 | Cable Sleeve | 1 |
| 70 | 039203 | Plug grey | 1 |

2 Motor

| Item no. | Article no. | Description | Quantity |
|----------|-------------|--|----------|
| 70 | 019165 | Plug 230V 3-polig Switzerland | 1 |
| 71 | 015216 | Fan Flex BS180/Duro | 1 |
| 72 | 042160 | Cable 2x2,5 ² x4m black SEE 15215 | 1 |
| 73 | 015215 | Cable 2x1 ² x4m black w.plug | 1 |
| 73 | 083110 | El.cord 2x1 ² x4m 230V w.plug CH | 1 |

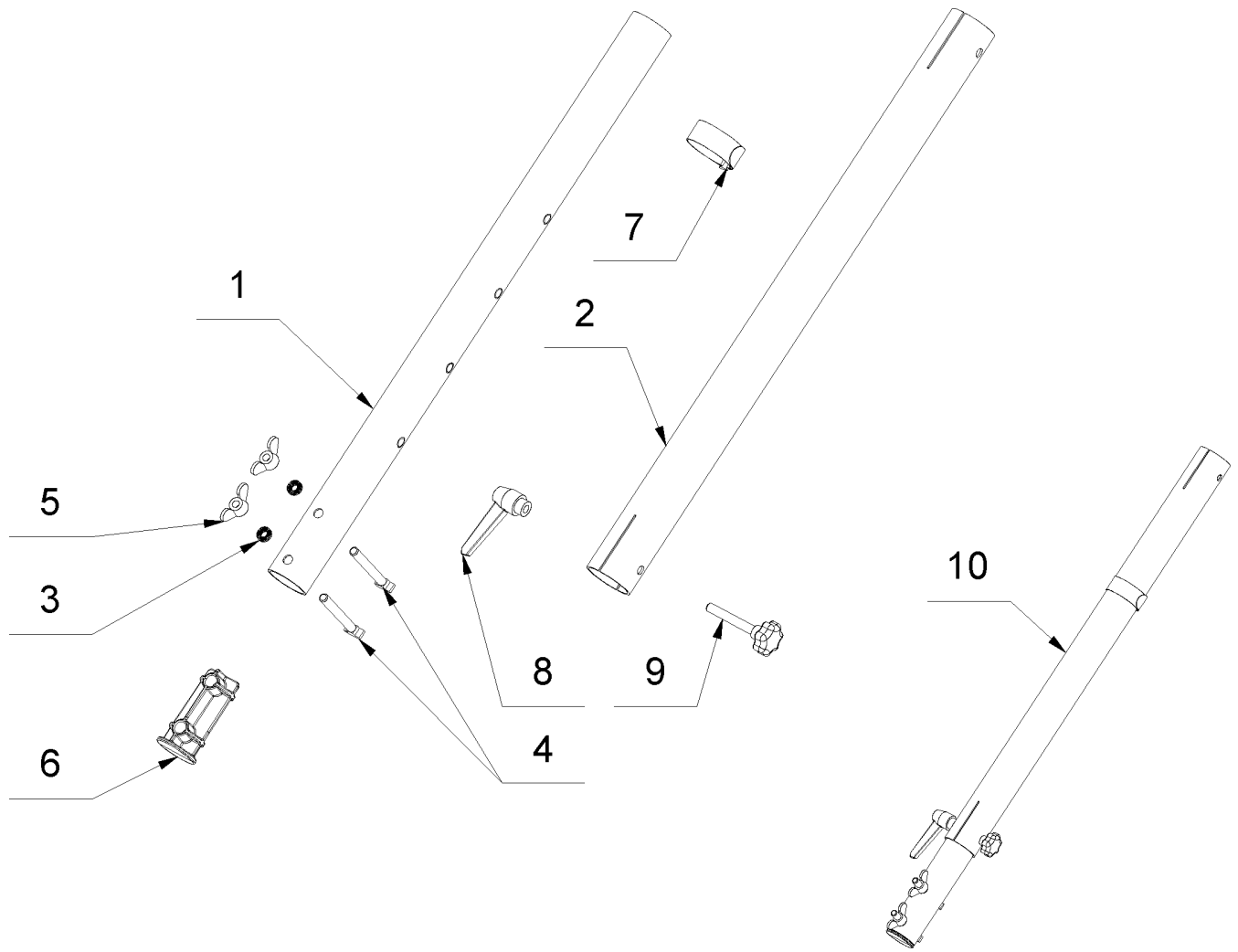
3 Carriage



3 Carriage

| Item no. | Article no. | Description | Quantity |
|----------|-------------|-------------------------------------|----------|
| 1 | 085356 | SG-Chassis Duro 2.0 RAL 9006 silver | 1 |
| 2 | 014953 | Transport wheel with needle-bearing | 2 |
| 3 | 017212 | Axel chassis Duro | 1 |
| 4 | 014896 | Pressure spring 17,50x45x3 | 2 |
| 5 | 014881 | Starlock Ø15 with cap | 2 |
| 6 | 014829 | Washer M10 DIN 125 A | 2 |
| 7 | 014817 | Hexagon nut M10 DIN 985 | 2 |
| 8 | 019712 | Carriage complete Duro | 1 |

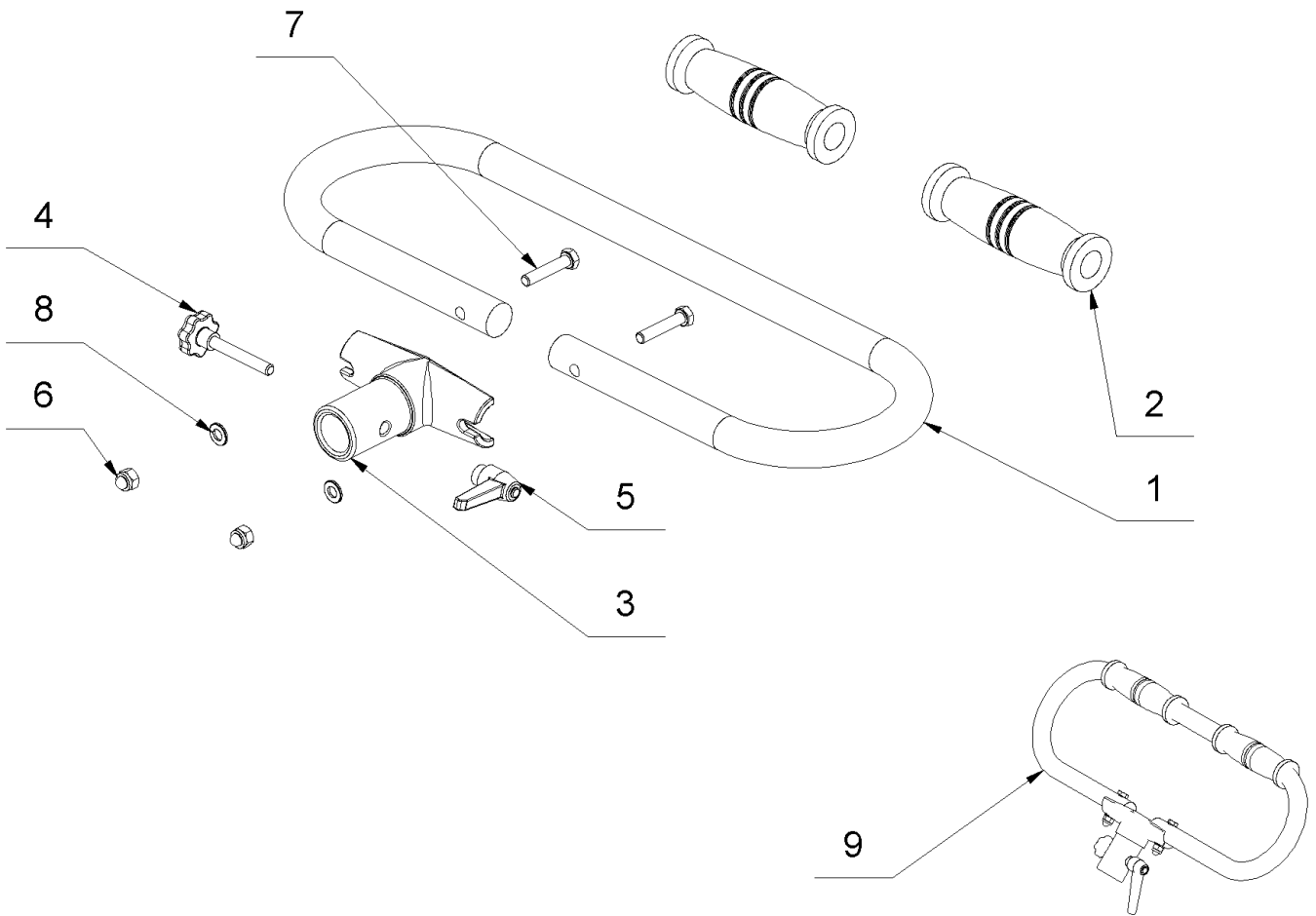
4 Handle tube



4 Handle tube

| Item no. | Article no. | Description | Quantity |
|----------|-------------|--------------------------------|----------|
| 1 | 015226 | Inner tube Duro | 1 |
| 2 | 085139 | Handle Tube cpl. Duro 2.0 | 1 |
| 3 | 014828 | Washer M8 DIN 125 A | 2 |
| 4 | 014768 | T-head bolt M8x70 DIN 186 A | 2 |
| 5 | 014824 | Wing nut M8 DIN 315 | 2 |
| 6 | 074423 | Stopper innertube Duro/EcoStr. | 1 |
| 7 | 178579 | Velcro cable tie 20cm black | 1 |
| 8 | 014877 | Clamping lever M8 Duro | 1 |
| 9 | 014919 | Star grip bolt M8x55 | 1 |
| 10 | 085139 | Handle Tube cpl. Duro 2.0 | 1 |

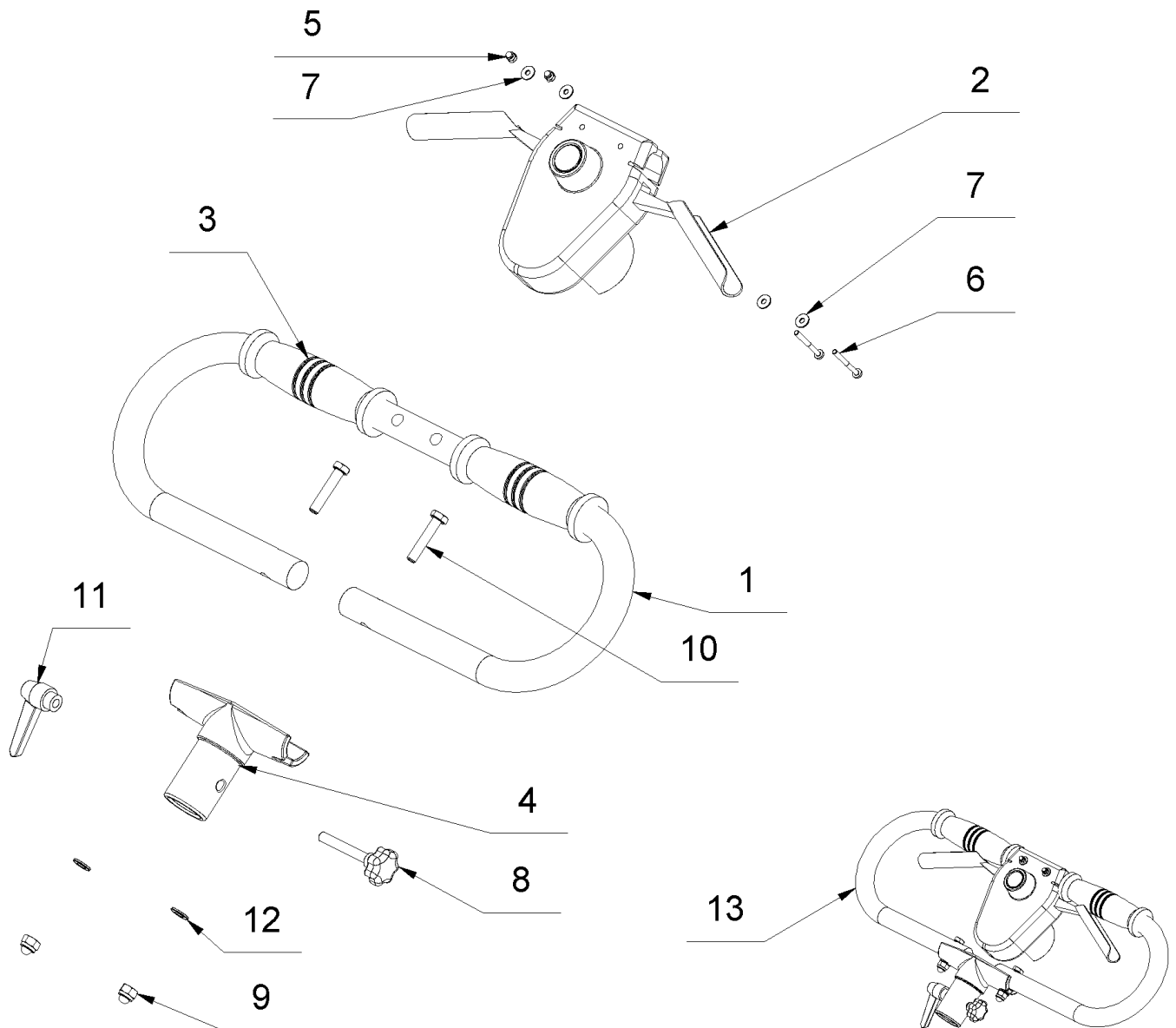
5 Handle bar



5 Handle bar

| Item no. | Article no. | Description | Quantity |
|----------|-------------|------------------------------|----------|
| 1 | 015435 | Handel bar Duro | 1 |
| 2 | 014923 | Grip cover/foam | 2 |
| 3 | 015434 | T-piece Duro | 1 |
| 4 | 014919 | Star grip bolt M8x55 | 1 |
| 5 | 014877 | Clamping lever M8 Duro | 1 |
| 6 | 014825 | Cap nut M8 DIN 986 | 2 |
| 7 | 014776 | Hexagon bolt M 8x 40 DIN 931 | 2 |
| 8 | 014828 | Washer M8 DIN 125 A | 2 |
| 9 | 015052 | Handle bar complete Duro | 1 |

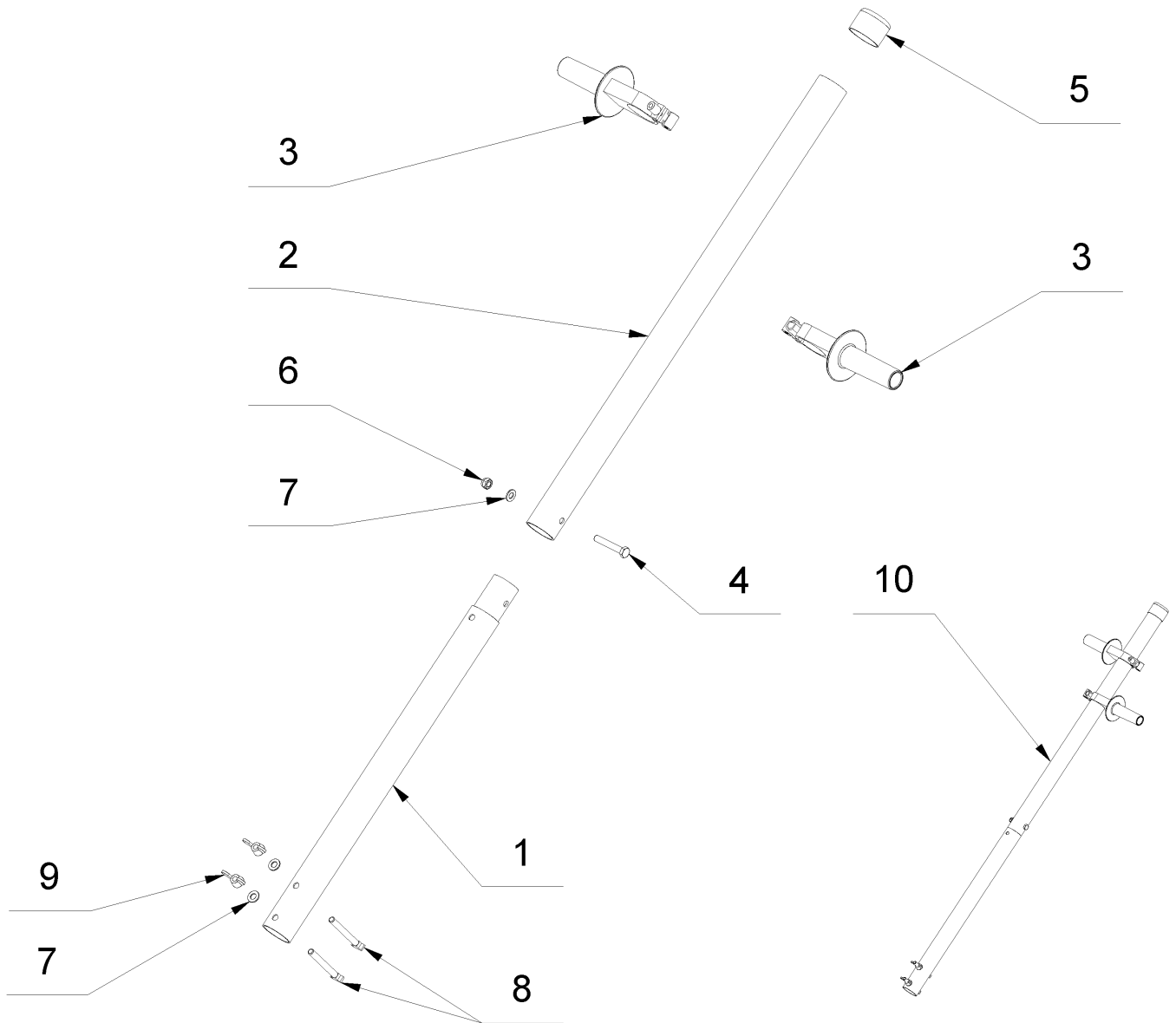
6 Tripus handle bar



6 Tripus handle bar

| Item no. | Article no. | Description | Quantity |
|----------|-------------|------------------------------|----------|
| 1 | 017577 | Handel bar Tripus | 1 |
| 2 | 015231 | Switch TRIPUS | 1 |
| 3 | 014923 | Grip cover/foam | 2 |
| 4 | 015434 | T-piece Duro | 1 |
| 5 | 017566 | Cap nut M4 DIN 986 | 2 |
| 6 | 017733 | Lens bolt M4x45 DIN 7985 | 2 |
| 7 | 017658 | Washer M4 DIN 9021 | 4 |
| 8 | 014919 | Star grip bolt M8x55 | 1 |
| 9 | 014825 | Cap nut M8 DIN 986 | 2 |
| 10 | 014776 | Hexagon bolt M 8x 40 DIN 931 | 2 |
| 11 | 014877 | Clamping lever M8 Duro | 1 |
| 12 | 014828 | Washer M8 DIN 125 A | 2 |
| 13 | 017009 | Handel bar complete Tripus | 1 |

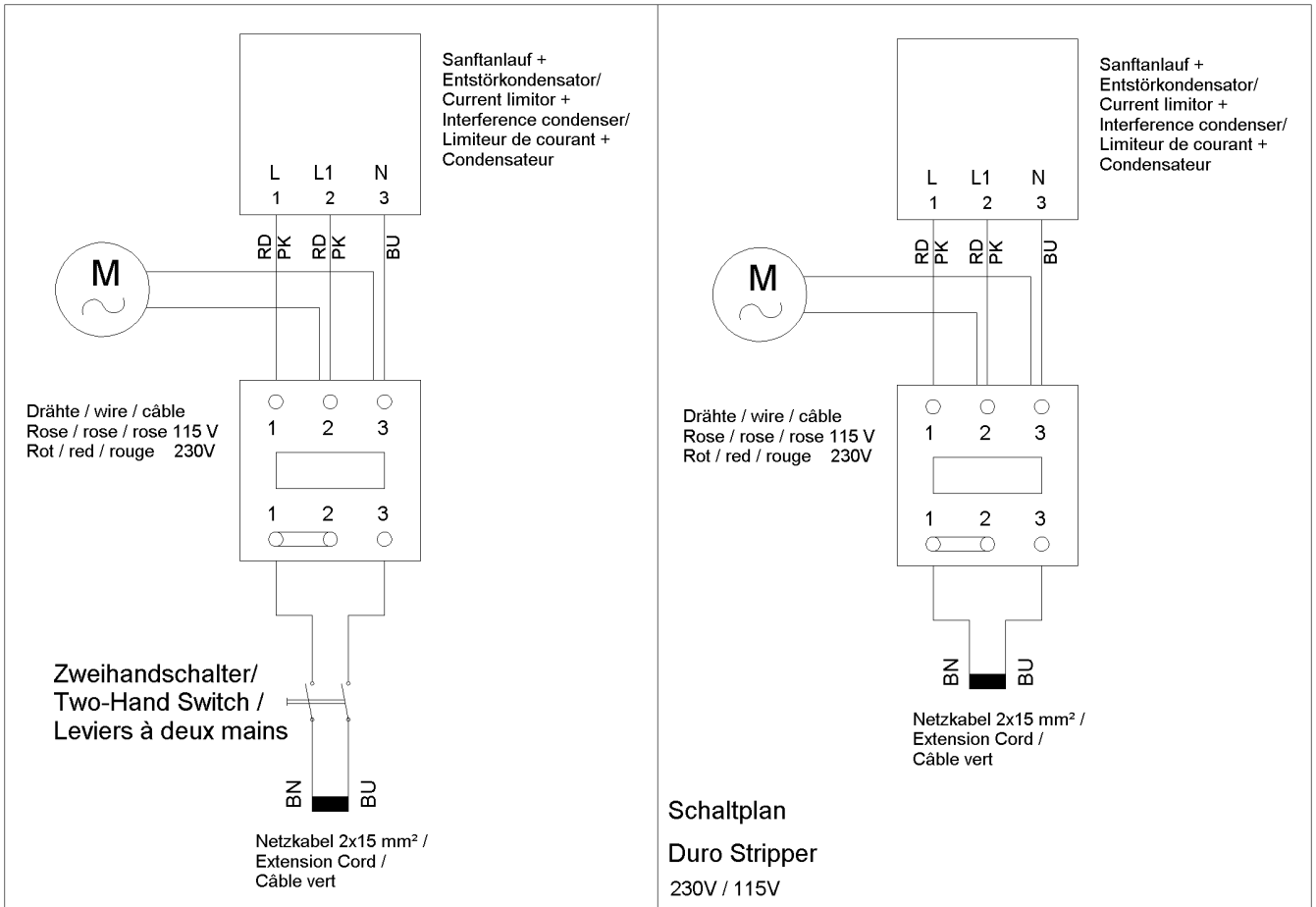
7 Handle tube special



7 Handle tube special

| Item no. | Article no. | Description | Quantity |
|----------|-------------|------------------------------------|----------|
| 1 | 084706 | Handel Duro-Stripper with VG cplt. | 1 |
| 2 | 017574 | Upper handle tube | 1 |
| 3 | 014925 | Special handle Duro | 2 |
| 4 | 017624 | Hexagon bolt M 8x50 DIN 931 | 1 |
| 5 | 014935 | End cap outer tube | 1 |
| 6 | 014816 | Hexagon nut M8 DIN 985 | 1 |
| 7 | 014828 | Washer M8 DIN 125 A | 3 |
| 8 | 014768 | T-head bolt M8x70 DIN 186 A | 2 |
| 9 | 014824 | Wing nut M8 DIN 315 | 2 |
| 10 | 084706 | Handel Duro-Stripper with VG cplt. | 1 |

8 Circuit diagram

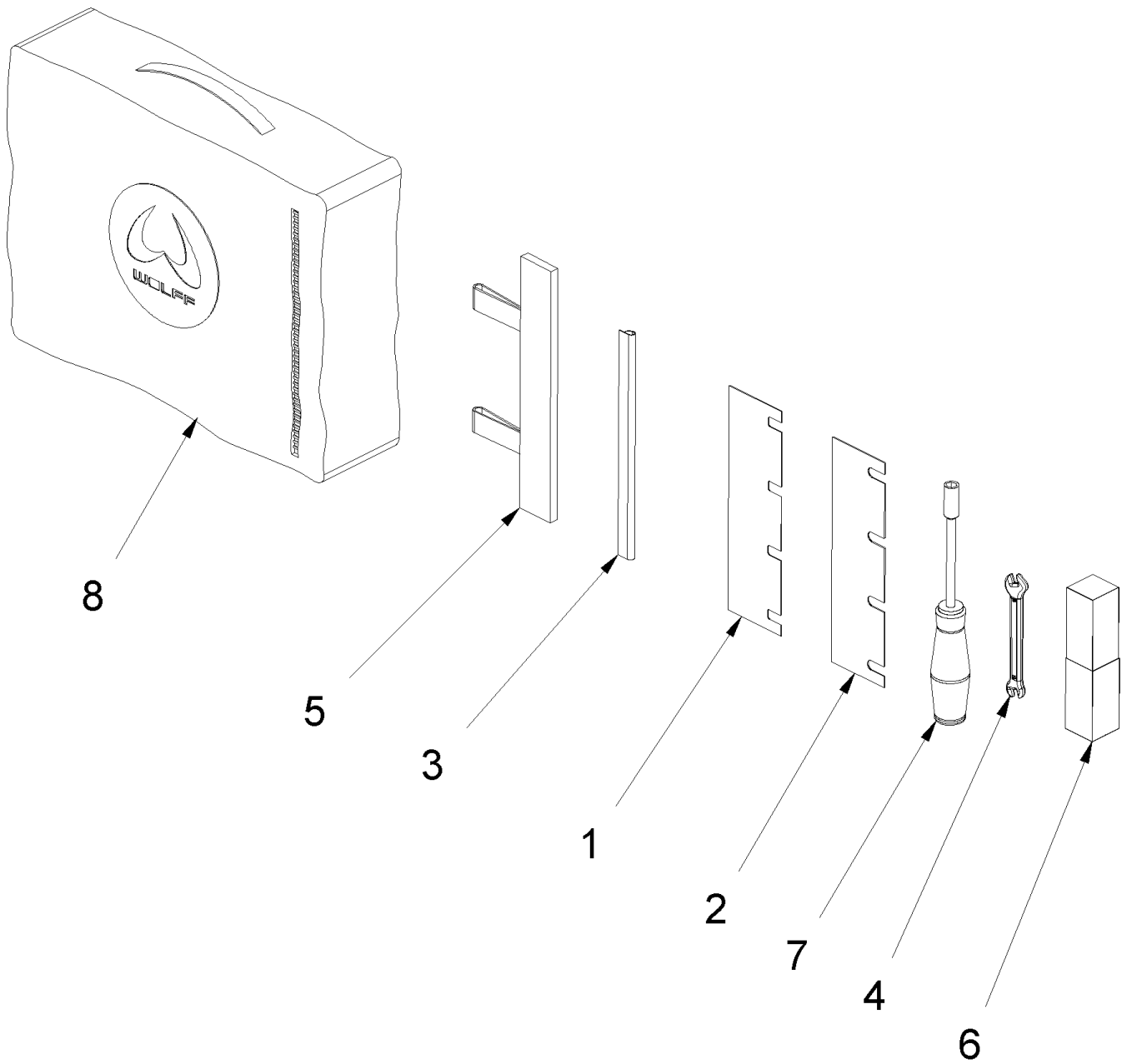


8 Circuit diagram

Item no.

1

9 Tool kit



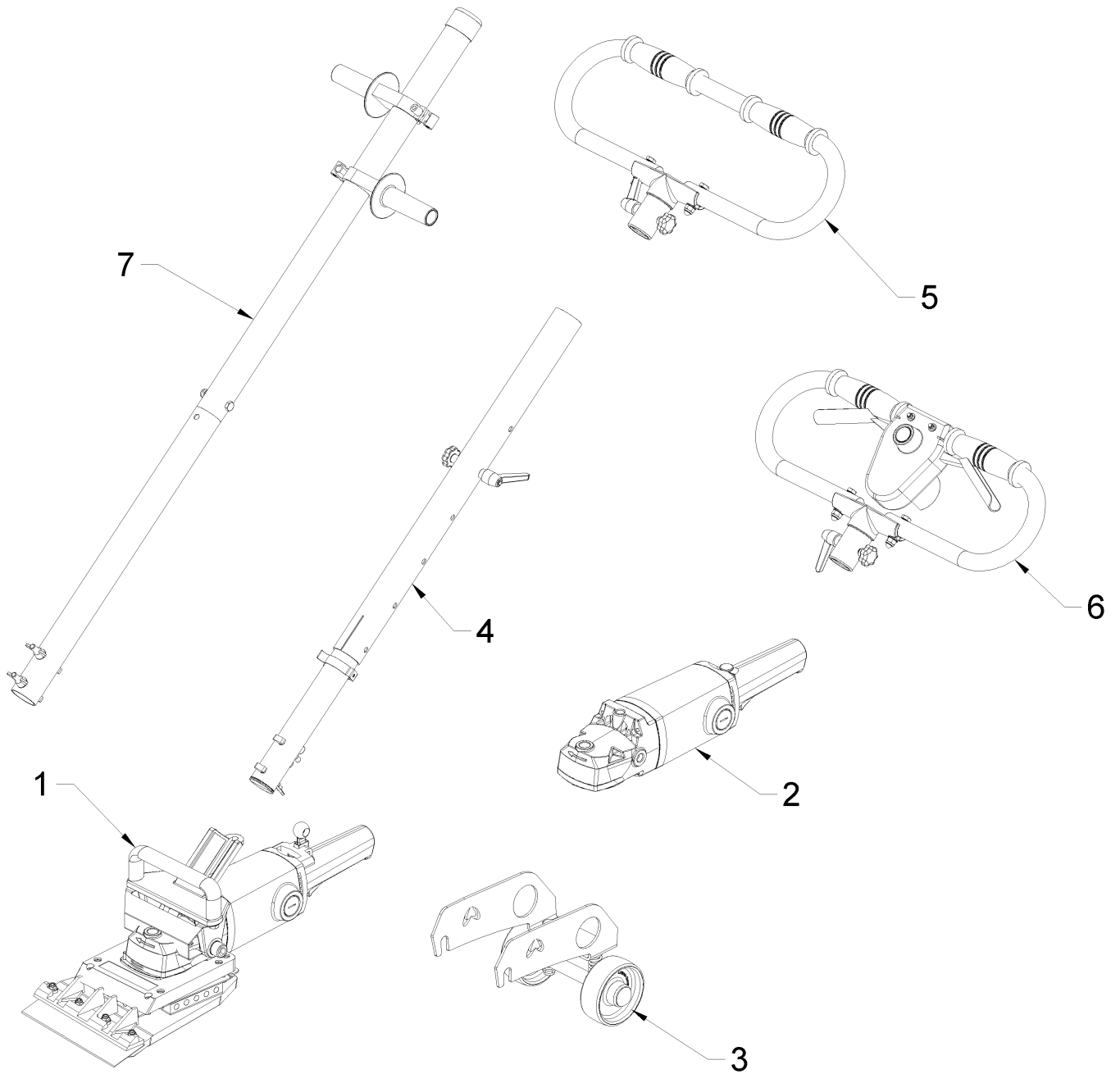
9 Tool kit

| Item no. | Article no. | Description | Quantity |
|----------|-------------|--|----------|
| 1 | 013344 | Spare blades, 210 x 60 x 0,7 mm Duro/Var | 1 |
| 2 | 013345 | Spare blades, 210 x 60 x 1 mm Duro/Vario | 1 |
| 3 | 015229 | Blade protection 210mm | 1 |
| 4 | 017612 | Double fork wrench sw10/13 mm | 1 |
| 5 | 033203 | Blade protection Duro/Vario/Eco/Primo | 1 |
| 6 | 014962 | Plastic box 30x65 SM1200/SM800/Duro/LS | 1 |
| 7 | 017598 | Special key SW10 Wolff | 1 |
| 8 | 054064 | Tool bag green - Wolff | 1 |

10 Accesories

| Article no. | Description |
|-------------|--|
| 013344 | Spare blades, 210 x 60 x 0,7 mm Duro/Var |
| 013346 | Spare blades, 210 x 60 x 1,5 mm Duro/Var |
| 013349 | Carrying case Duro-Stripper |
| 084706 | Handel Duro-Stripper with VG cplt. |
| 013342 | Carpet clamp Premium |
| 065500 | Profi hand sraper Wolff |
| 013345 | Spare blades, 210 x 60 x 1 mm Duro/Vario |
| 048402 | Serrated blade, 210 x 60 x 1mm |
| 016151 | Wheel set Duro Stripper |
| 062700 | Ergo Cutter |
| 051505 | Hand scraper WOLFF |
| 013934 | Floor scraper SEE 34543 |
| 085652 | Duro-Stripper 2.0 230V/50Hz VG |
| 015315 | Hearing protectors |
| 015809 | Safety gloves 1 pair |

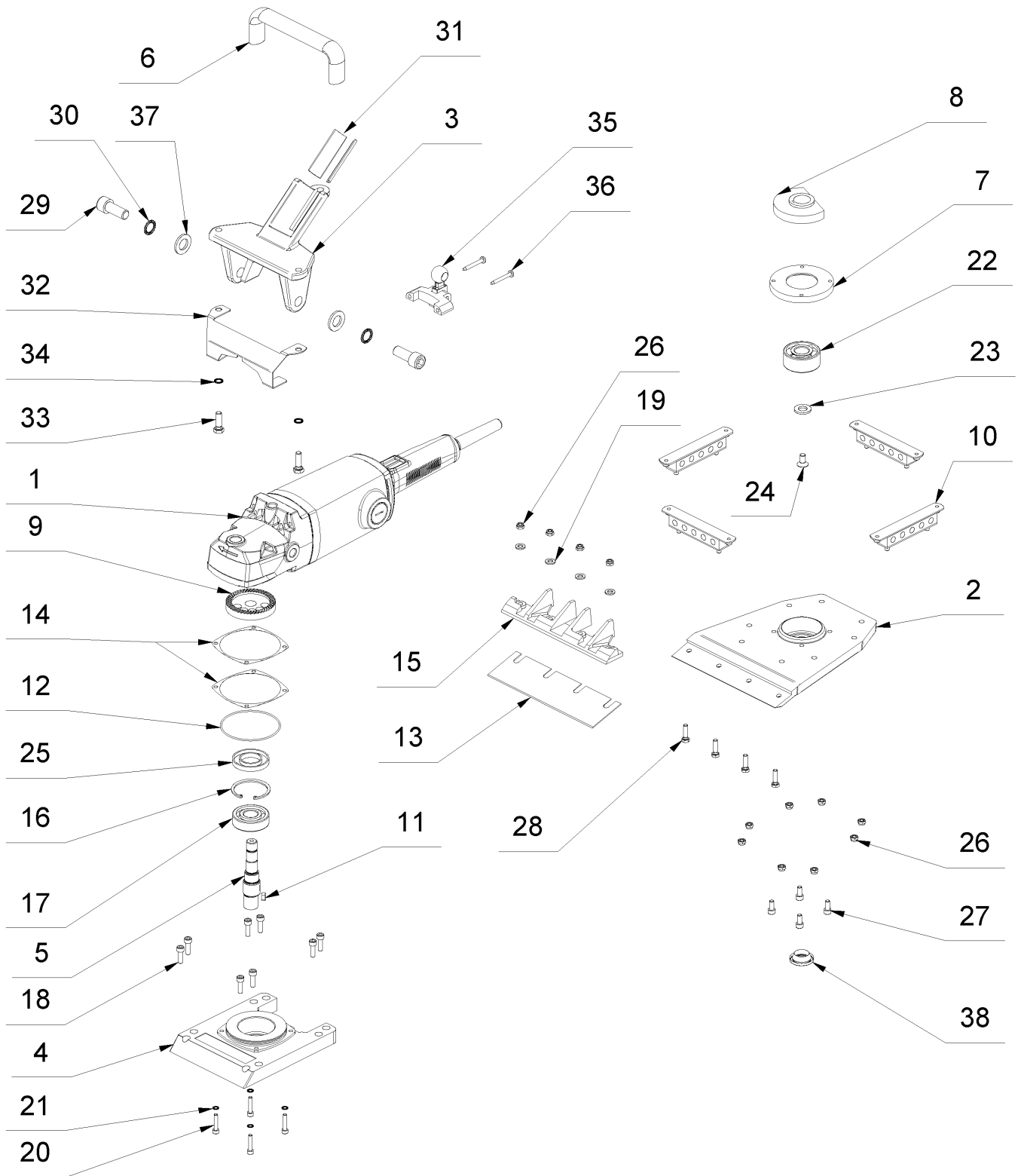
6 Duro Stripper (08/2014-09/2017)



6 Duro Stripper (08/2014-09/2017)

| Item no. | Article no. | Description |
|----------|--------------|---------------------|
| 1 | 06_01_013347 | Basic machine |
| 2 | 01_02_013347 | Motor |
| 3 | 05_03_019712 | Carriage |
| 4 | 01_04_085139 | Handle tube |
| 5 | 03_05_015052 | Handle bar |
| 6 | 05_06_017009 | Tripus handle bar |
| 7 | 01_07_015027 | Handle tube special |
| 8 | 01_08_013347 | Circuit diagram |
| 9 | 01_09_015024 | Tool kit |
| 10 | 01_10_013347 | Accesories |

1 Basic machine



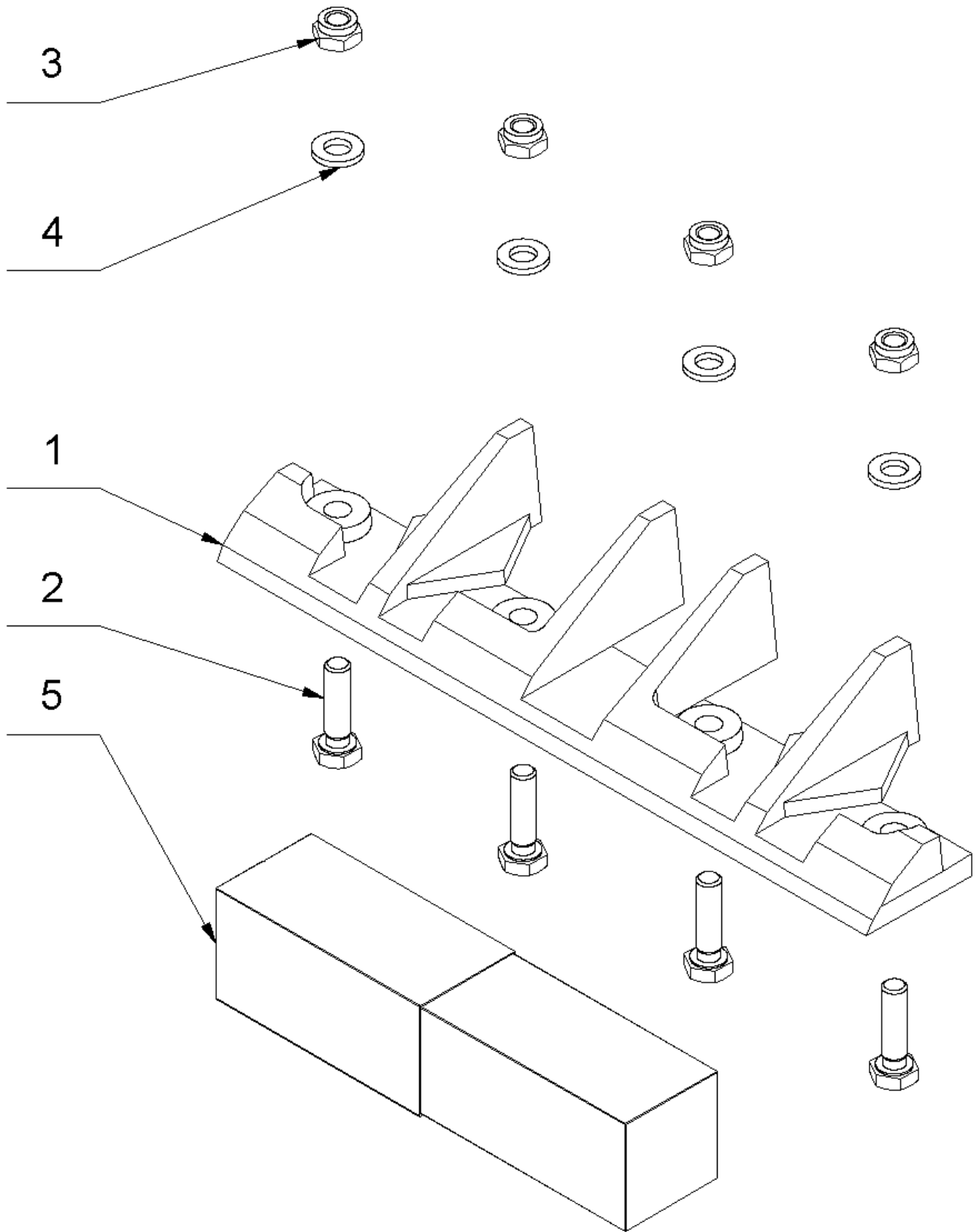
1 Basic machine

| Item no. | Article no. | Description | Quantity |
|----------|-------------|--|----------|
| 1 | 015021 | Motor DURO 230V SEE 085880 | 1 |
| 1 | 017567 | Motor230V reinorange RAL2004 SEE 85883 | 1 |
| 1 | 021593 | Motor 230V yellow RAL1028 SEE 85883 | 1 |
| 1 | 017827 | Motor 230V red RAL3000 SEE 85883 | 1 |
| 2 | 015221 | Striking foot DURO/ECO/Primo | 1 |
| 3 | 015227 | Grip Frame DURO | 1 |
| 4 | 015224 | Bearing plate DURO | 1 |
| 4 | 017846 | Bearing plate Duro orange RAL 2004 | 1 |
| 4 | 021585 | Bearing plate Duro yellow RAL 1028 | 1 |
| 4 | 017844 | Bearing plate Duro red RAL 3000 | 1 |
| 5 | 076699 | Excenter shaft DURO from 2014 | 1 |
| 6 | 087346 | Grip 160mm Duro 2.0 | 1 |
| 7 | 015233 | Flange DURO | 1 |
| 8 | 015225 | Balance Disc DURO | 1 |
| 9 | 015234 | Crown wheel Duro | 1 |
| 10 | 014931 | Rubber Bearing Duro/Eco/Primo-Stripper | 4 |
| 11 | 054035 | Nut key 5x5x12 DIN 6885 | 1 |
| 12 | 015218 | Sealing ring Motor Duro 2.0 | 1 |
| 13 | 013345 | Spare blades, 210 x 60 x 1 mm Duro/Vario | 1 |
| 14 | 016944 | Distance ring 0,3 mm Motor Duro 2.0 | 2 |
| 15 | 036009 | Blade holder set ECO | 1 |
| 16 | 014857 | Safety washer I52 DIN 472 | 1 |
| 17 | 014711 | Ball bearing 6304 | 1 |
| 18 | 014752 | Cylinder head screw M6x20DIN 912 microve | 8 |
| 19 | 014827 | Washer M6 DIN 125 A | 4 |
| 20 | 014750 | Cylinder head bolt M5x25 DIN 912 microv | 8 |
| 21 | 014858 | Schnorr washer M5 | 4 |
| 22 | 014674 | Ball bearing 3304 2RSC3 | 1 |
| 23 | 014830 | Washer M12 DIN 125 A | 1 |
| 24 | 014764 | Countersunk screw M8x16 DIN7991 micro | 1 |
| 25 | 014847 | Shaft seal A28x52x7 NBR | 1 |
| 26 | 014815 | Hexagon nut M6 DIN985 | 12 |
| 27 | 014751 | Cylinder head screw M6x14 DIN 912 mikrov | 4 |
| 28 | 014772 | Hexagon head bolt M 6x22 DIN 933 | 4 |

1 Basic machine

| Item no. | Article no. | Description | Quantity |
|----------|-------------|-----------------------------------|----------|
| 29 | 016139 | Cylinder head bolt M14x35 DIN 912 | 2 |
| 30 | 014863 | Schnorr Washer M14 | 2 |
| 31 | 014932 | Rubber sleeve | 1 |
| 32 | 015433 | Baffle Duro-Stripper | 1 |
| 33 | 014775 | Hexagon bolt M 8x25 DIN 933 | 2 |
| 34 | 014860 | Schnorr Washer M8 | 2 |
| 35 | 015023 | Switch lever Duro | 1 |
| 36 | 014797 | Countersunk screw 5,0x60 | 2 |
| 37 | 017741 | Washer M14 DIN 125 | 2 |
| 38 | 049282 | Stopper Ø25,0 black | 1 |

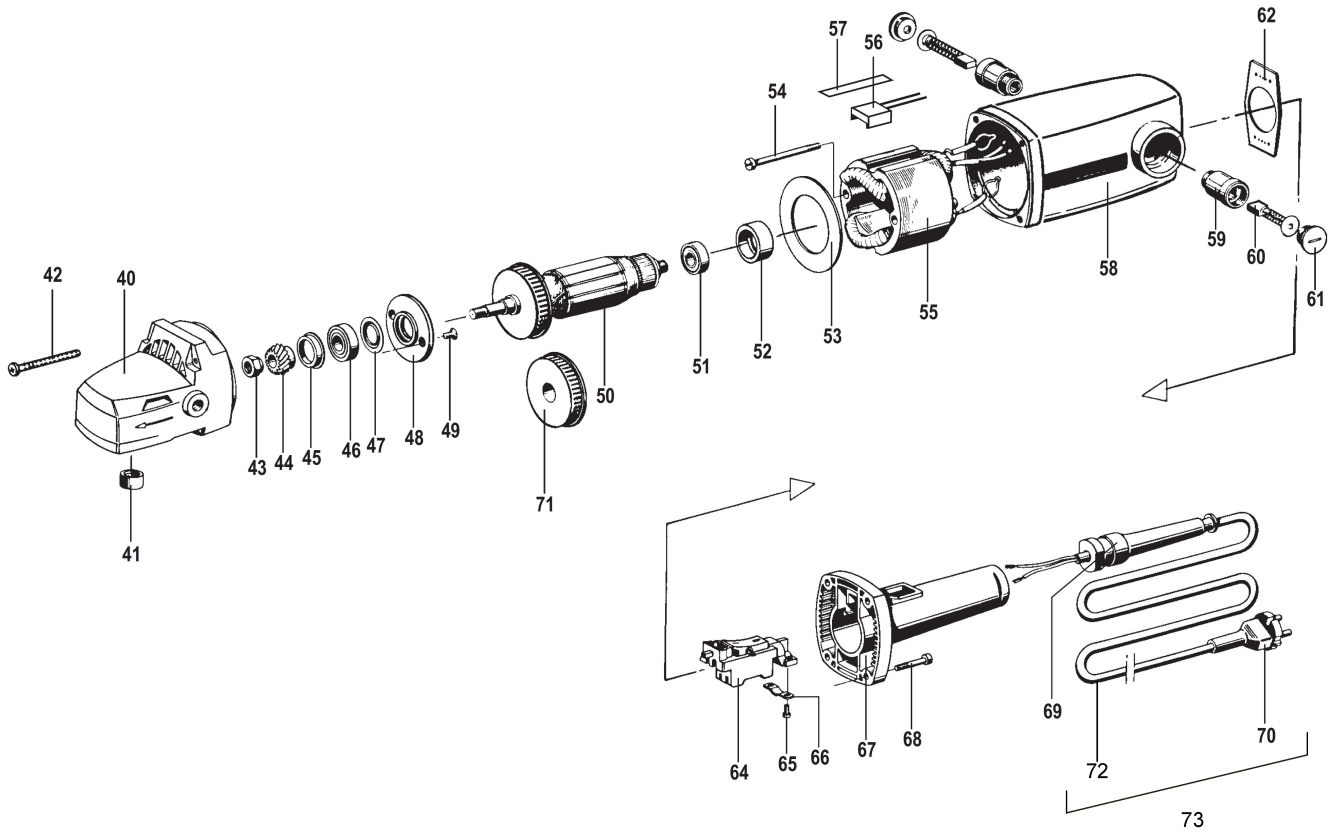
15 Blade holder set ECO



15 Blade holder set ECO

| Item no. | Article no. | Description | Quantity |
|----------|-------------|--|----------|
| 1 | 015223 | Deflector new Duro/Vario/Eco/Primo | 1 |
| 2 | 014772 | Hexagon head bolt M 6x22 DIN 933 | 4 |
| 3 | 014815 | Hexagon nut M6 DIN985 | 4 |
| 4 | 014827 | Washer M6 DIN 125 A | 4 |
| 5 | 014962 | Plastic box 30x65 SM1200/SM800/Duro/LS | 1 |

2 Motor



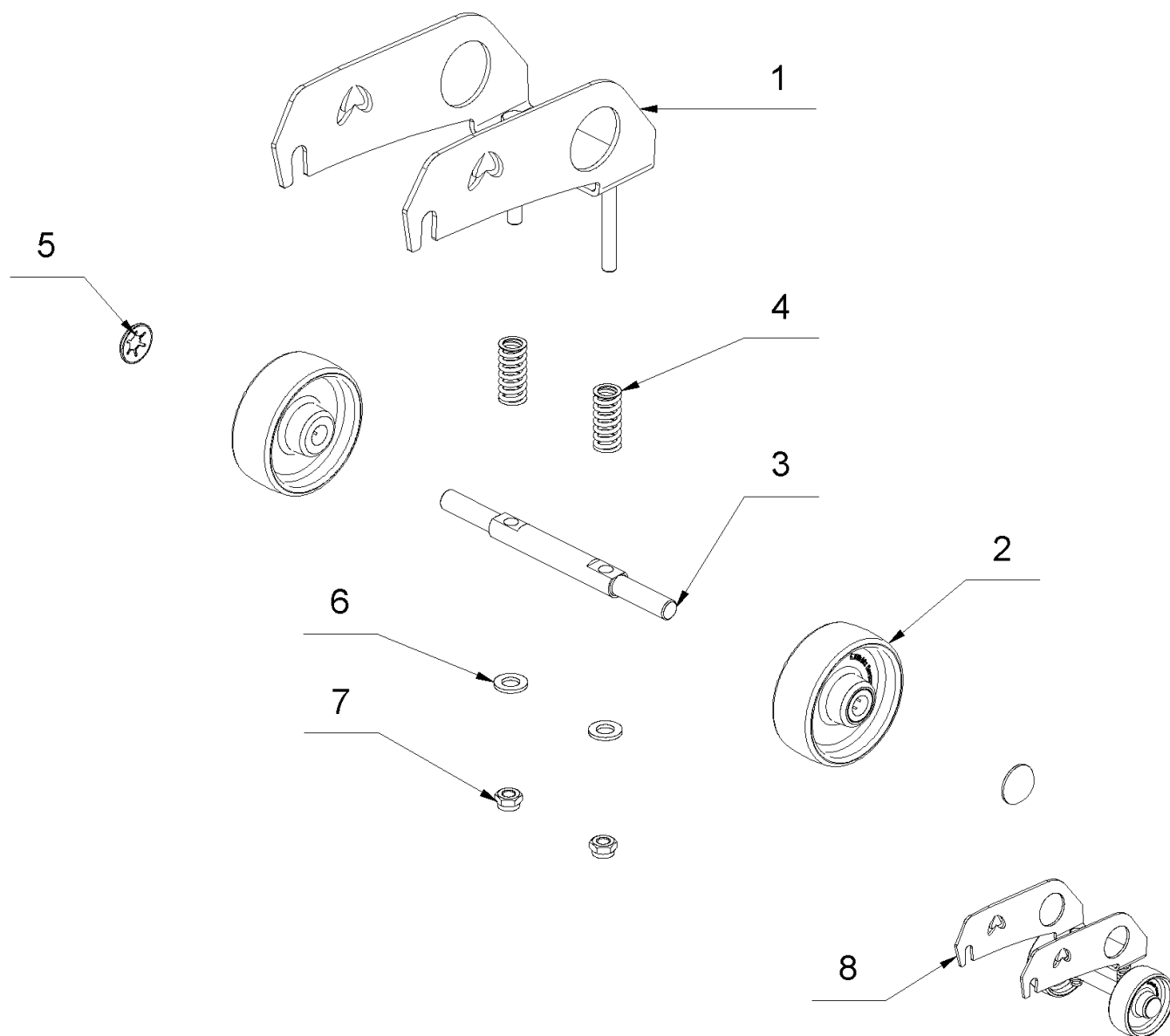
2 Motor

| Item no. | Article no. | Description | Quantity |
|----------|-------------|--|----------|
| 35 | 015023 | Switch lever Duro | 1 |
| 36 | 014797 | Countersunk screw 5,0x60 | 2 |
| 38 | 019014 | Tooth washer V 5,3 DIN 6798 | 2 |
| 40 | 015189 | Gear Block Housing Motor Duro | 1 |
| 41 | 015190 | Needle bearing HK 1512 Motor Duro 2.0 | 1 |
| 42 | 015191 | Cylinder head screw special M5x45 | 4 |
| 43 | 015192 | Hexagon nut M10 fine thread | 1 |
| 44 | 015193 | Pinion gear Duro '44 | 1 |
| 45 | 015194 | Sealing ring Flex BS180/Duro | 1 |
| 46 | 014709 | Ball-bearing 6202 | 1 |
| 47 | 015195 | Sealing ring Flex BS180/Duro | 1 |
| 48 | 015196 | Cover Flex BS180/Duro | 1 |
| 49 | 016312 | Countersunk bolt M5x16 DIN 7991 10.9 | 1 |
| 50 | 015198 | Armature 230 V compl. Duro/Flex | 1 |
| 51 | 014701 | Ball-bearing 6001 2RSC3 | 1 |
| 52 | 015199 | Bearing ring BS180/Duro | 1 |
| 53 | 015200 | Air guide Flex BS180/Duro | 1 |
| 54 | 019523 | Plastic Bolt 5x74 TX25 | 2 |
| 55 | 039398 | Magnetic field Flex BS180 | 1 |
| 56 | 015235 | Current limiter 230V 3adrig BIRO | 1 |
| 57 | 015202 | Insulation no longer available | 1 |
| 58 | 015203 | Motor case with carbon brush holder 230V | 1 |
| 59 | 015205 | Carbon brush holder 230V Duro | 2 |
| 60 | 016853 | Carbon brush 230 V Duro | 2 |
| 61 | 015207 | Carbon brush cap BS180/Duro | 2 |
| 62 | 015208 | Sealing Plate BS180/Duro | 1 |
| 64 | 015209 | Switch on/off Duro | 1 |
| 65 | 015210 | Lens head screw M 4x12 | 2 |
| 66 | 015211 | Cable clamp Motor Duro 2.0 | 1 |
| 67 | 015212 | Handle Duro | 1 |
| 68 | 014796 | Countersunk screw 5,0x50 | 2 |
| 69 | 015214 | Cable Sleeve | 1 |
| 70 | 039203 | Plug grey | 1 |
| 70 | 019165 | Plug 230V 3-polig Switzerland | 1 |

2 Motor

| Item no. | Article no. | Description | Quantity |
|----------|-------------|--|----------|
| 71 | 015216 | Fan Flex BS180/Duro | 1 |
| 72 | 042160 | Cable 2x2,5 ² x4m black SEE 15215 | 1 |
| 73 | 015215 | Cable 2x1 ² x4m black w.plug | 1 |
| 73 | 083110 | El.cord 2x1 ² x4m 230V w.plug CH | 1 |

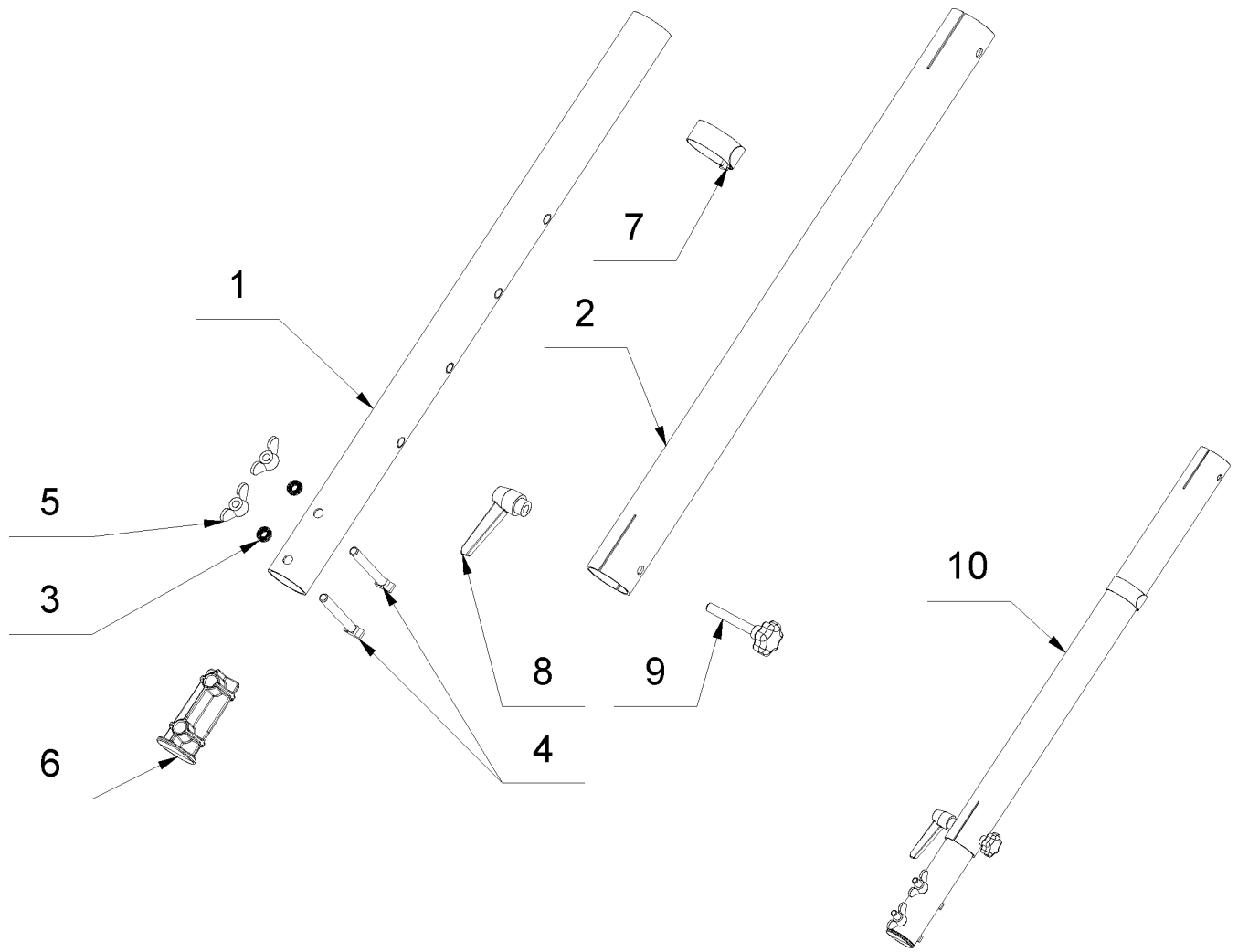
3 Carriage



3 Carriage

| Item no. | Article no. | Description | Quantity |
|----------|-------------|-------------------------------------|----------|
| 1 | 085356 | SG-Chassis Duro 2.0 RAL 9006 silver | 1 |
| 2 | 014953 | Transport wheel with needle-bearing | 2 |
| 3 | 017212 | Axel chassis Duro | 1 |
| 4 | 014896 | Pressure spring 17,50x45x3 | 2 |
| 5 | 014881 | Starlock Ø15 with cap | 2 |
| 6 | 014829 | Washer M10 DIN 125 A | 2 |
| 7 | 014817 | Hexagon nut M10 DIN 985 | 2 |
| 8 | 019712 | Carriage complete Duro | 1 |

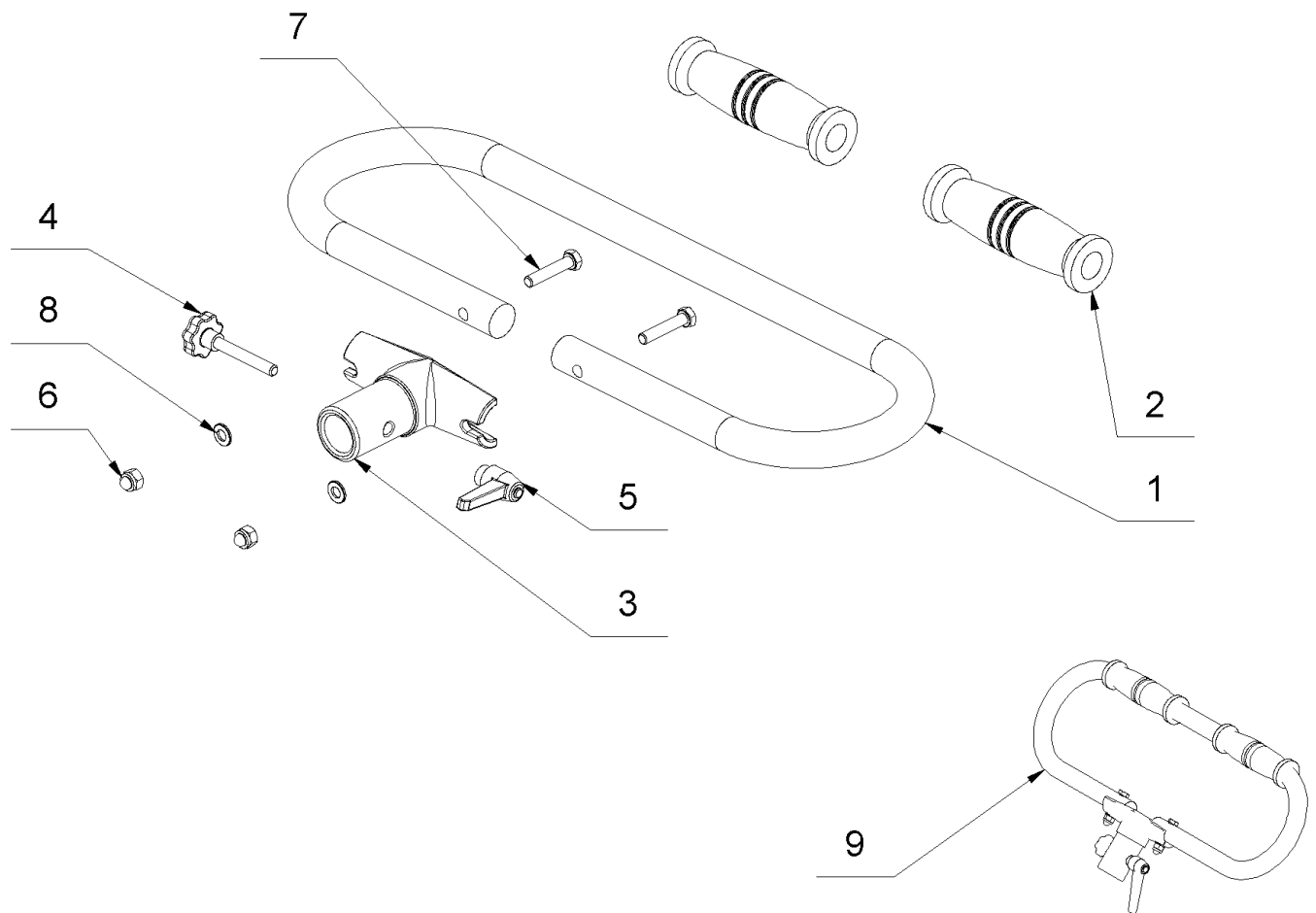
4 Handle tube



4 Handle tube

| Item no. | Article no. | Description | Quantity |
|----------|-------------|--------------------------------|----------|
| 1 | 015226 | Inner tube Duro | 1 |
| 2 | 085139 | Handle Tube cpl. Duro 2.0 | 1 |
| 3 | 014828 | Washer M8 DIN 125 A | 2 |
| 4 | 014768 | T-head bolt M8x70 DIN 186 A | 2 |
| 5 | 014824 | Wing nut M8 DIN 315 | 2 |
| 6 | 074423 | Stopper innertube Duro/EcoStr. | 1 |
| 7 | 178579 | Velcro cable tie 20cm black | 1 |
| 8 | 014877 | Clamping lever M8 Duro | 1 |
| 9 | 014919 | Star grip bolt M8x55 | 1 |
| 10 | 085139 | Handle Tube cpl. Duro 2.0 | 1 |

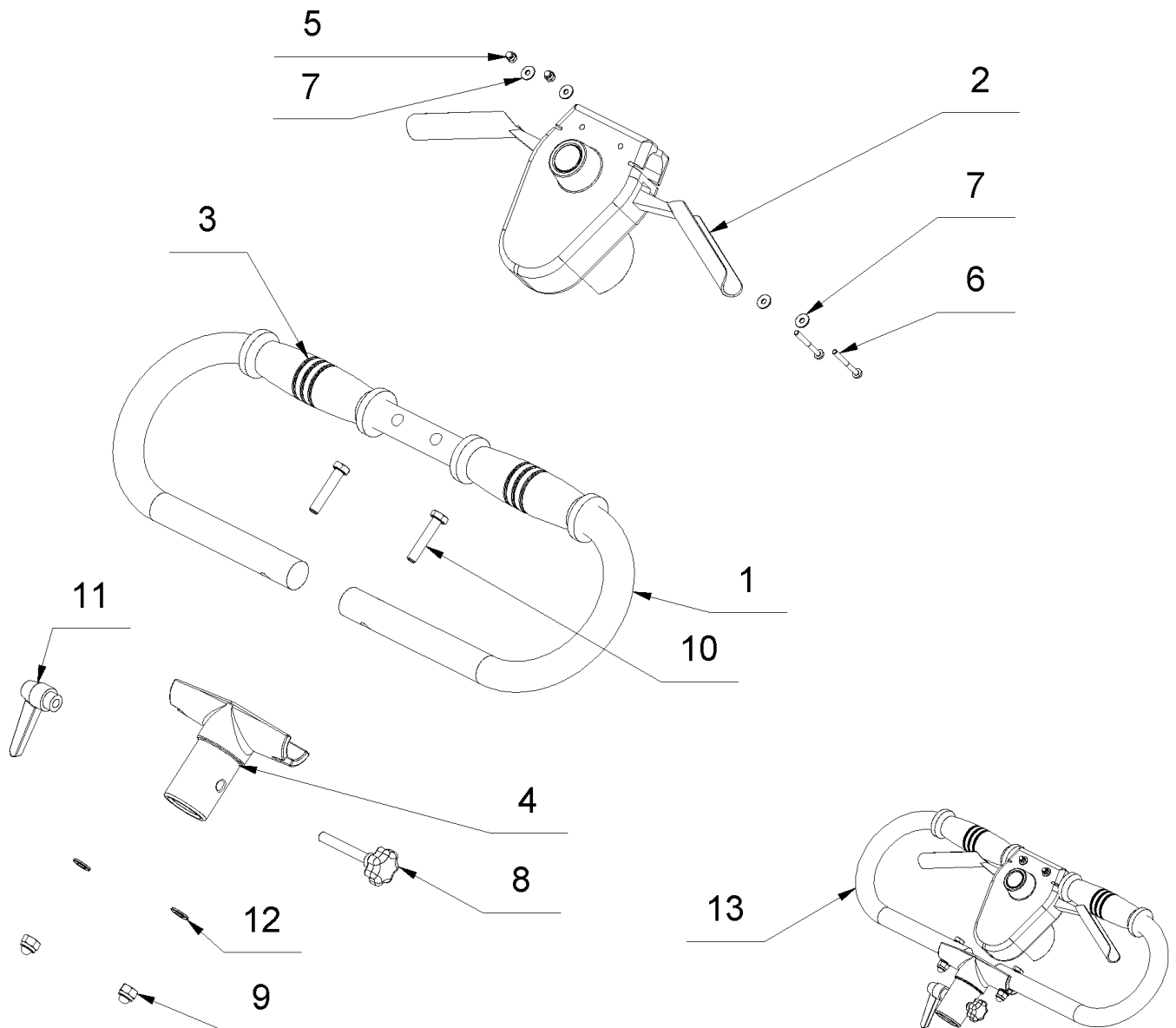
5 Handle bar



5 Handle bar

| Item no. | Article no. | Description | Quantity |
|----------|-------------|------------------------------|----------|
| 1 | 015435 | Handel bar Duro | 1 |
| 2 | 014923 | Grip cover/foam | 2 |
| 3 | 015434 | T-piece Duro | 1 |
| 4 | 014919 | Star grip bolt M8x55 | 1 |
| 5 | 014877 | Clamping lever M8 Duro | 1 |
| 6 | 014825 | Cap nut M8 DIN 986 | 2 |
| 7 | 014776 | Hexagon bolt M 8x 40 DIN 931 | 2 |
| 8 | 014828 | Washer M8 DIN 125 A | 2 |
| 9 | 015052 | Handle bar complete Duro | 1 |

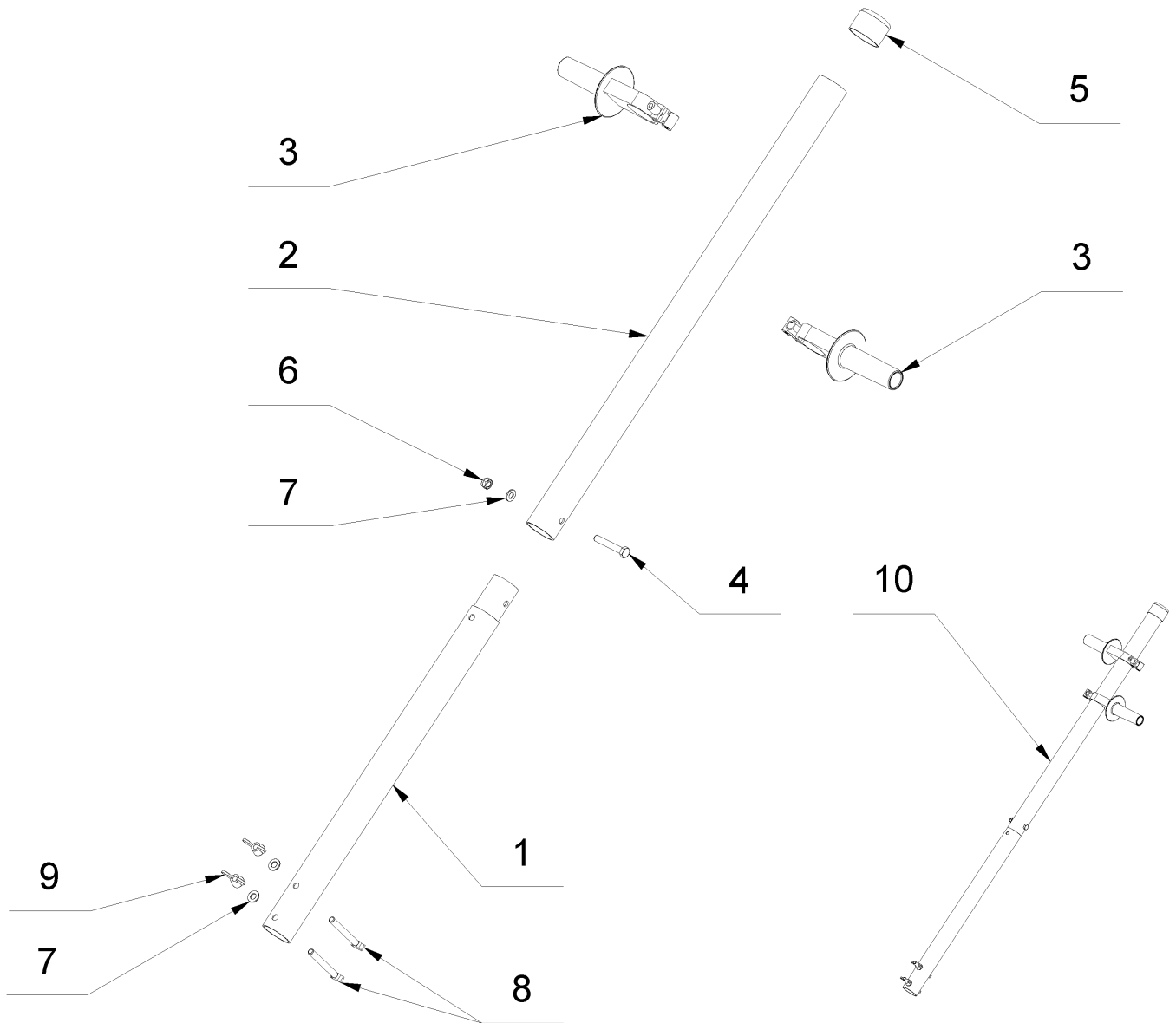
6 Tripus handle bar



6 Tripus handle bar

| Item no. | Article no. | Description | Quantity |
|----------|-------------|------------------------------|----------|
| 1 | 017577 | Handel bar Tripus | 1 |
| 2 | 015231 | Switch TRIPUS | 1 |
| 3 | 014923 | Grip cover/foam | 2 |
| 4 | 015434 | T-piece Duro | 1 |
| 5 | 017566 | Cap nut M4 DIN 986 | 2 |
| 6 | 017733 | Lens bolt M4x45 DIN 7985 | 2 |
| 7 | 017658 | Washer M4 DIN 9021 | 4 |
| 8 | 014919 | Star grip bolt M8x55 | 1 |
| 9 | 014825 | Cap nut M8 DIN 986 | 2 |
| 10 | 014776 | Hexagon bolt M 8x 40 DIN 931 | 2 |
| 11 | 014877 | Clamping lever M8 Duro | 1 |
| 12 | 014828 | Washer M8 DIN 125 A | 2 |
| 13 | 017009 | Handel bar complete Tripus | 1 |

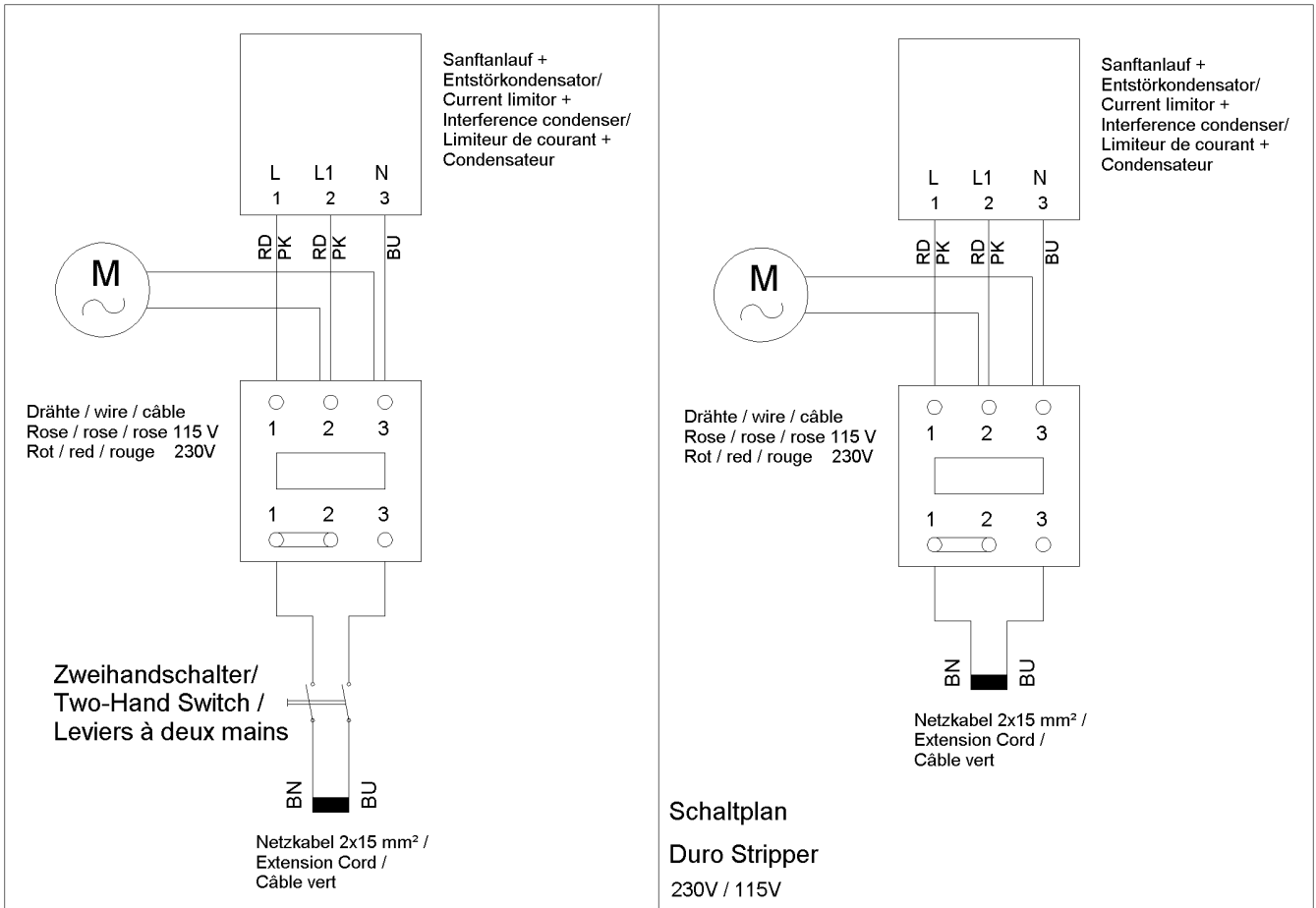
7 Handle tube special



7 Handle tube special

| Item no. | Article no. | Description | Quantity |
|----------|-------------|------------------------------------|----------|
| 1 | 084706 | Handel Duro-Stripper with VG cplt. | 1 |
| 2 | 017574 | Upper handle tube | 1 |
| 3 | 014925 | Special handle Duro | 2 |
| 4 | 017624 | Hexagon bolt M 8x50 DIN 931 | 1 |
| 5 | 014935 | End cap outer tube | 1 |
| 6 | 014816 | Hexagon nut M8 DIN 985 | 1 |
| 7 | 014828 | Washer M8 DIN 125 A | 3 |
| 8 | 014768 | T-head bolt M8x70 DIN 186 A | 2 |
| 9 | 014824 | Wing nut M8 DIN 315 | 2 |
| 10 | 084706 | Handel Duro-Stripper with VG cplt. | 1 |

8 Circuit diagram

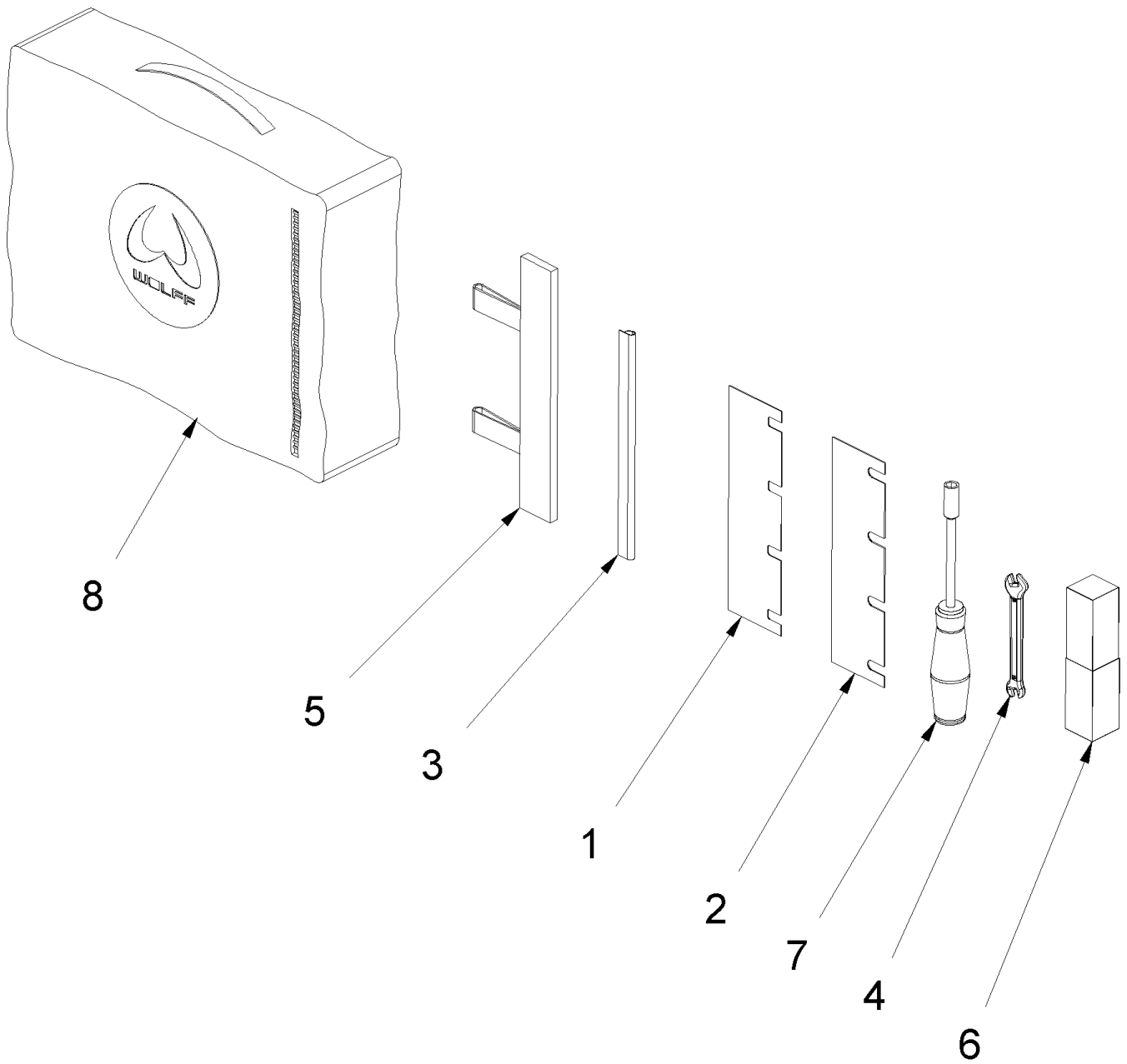


8 Circuit diagram

Item no.

1

9 Tool kit



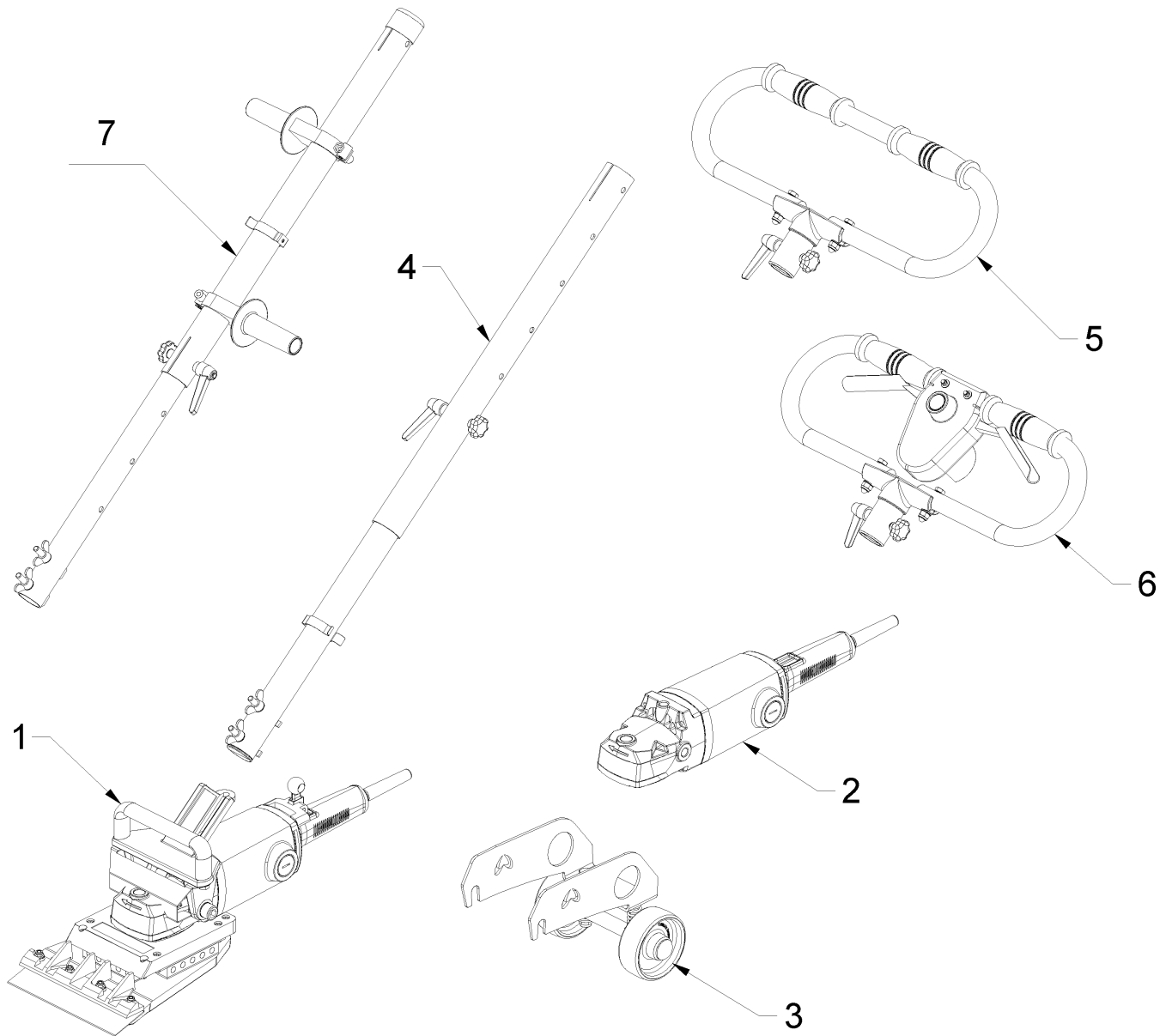
9 Tool kit

| Item no. | Article no. | Description | Quantity |
|----------|-------------|--|----------|
| 1 | 013344 | Spare blades, 210 x 60 x 0,7 mm Duro/Var | 1 |
| 2 | 013345 | Spare blades, 210 x 60 x 1 mm Duro/Vario | 1 |
| 3 | 015229 | Blade protection 210mm | 1 |
| 4 | 017612 | Double fork wrench sw10/13 mm | 1 |
| 5 | 033203 | Blade protection Duro/Vario/Eco/Primo | 1 |
| 6 | 014962 | Plastic box 30x65 SM1200/SM800/Duro/LS | 1 |
| 7 | 017598 | Special key SW10 Wolff | 1 |
| 8 | 054064 | Tool bag green - Wolff | 1 |

10 Accesories

| Article no. | Description |
|-------------|--|
| 013344 | Spare blades, 210 x 60 x 0,7 mm Duro/Var |
| 013346 | Spare blades, 210 x 60 x 1,5 mm Duro/Var |
| 013349 | Carrying case Duro-Stripper |
| 084706 | Handel Duro-Stripper with VG cplt. |
| 013342 | Carpet clamp Premium |
| 065500 | Profi hand sraper Wolff |
| 013345 | Spare blades, 210 x 60 x 1 mm Duro/Vario |
| 048402 | Serrated blade, 210 x 60 x 1mm |
| 016151 | Wheel set Duro Stripper |
| 062700 | Ergo Cutter |
| 051505 | Hand scraper WOLFF |
| 013934 | Floor scraper SEE 34543 |
| 085652 | Duro-Stripper 2.0 230V/50Hz VG |
| 015315 | Hearing protectors |
| 015809 | Safety gloves 1 pair |

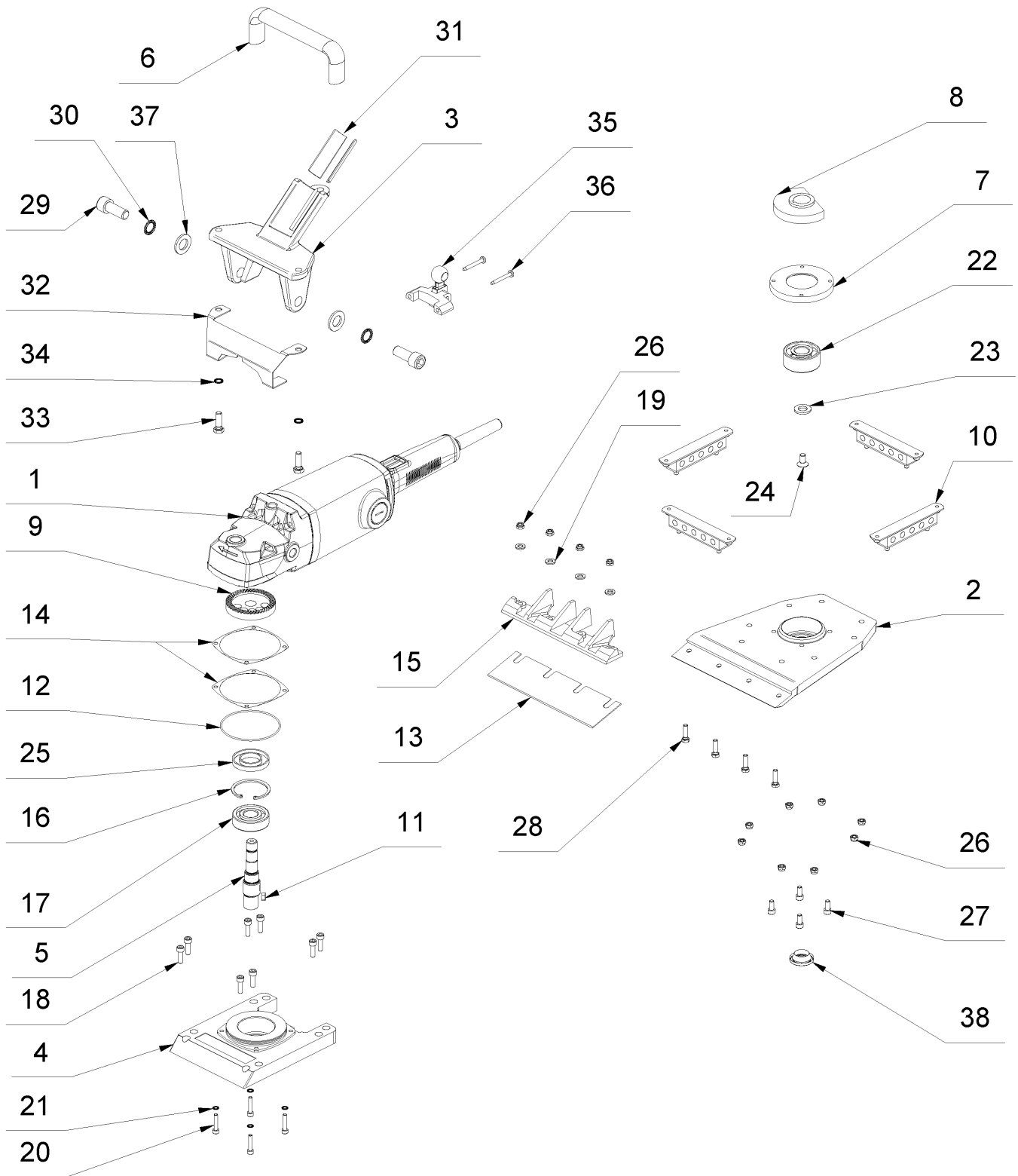
7 Duro Stripper (10/2017-01/2018)



7 Duro Stripper (10/2017-01/2018)

| Item no. | Article no. | Description |
|----------|--------------|---------------------|
| 1 | 06_01_013347 | Basic machine |
| 2 | 01_02_013347 | Motor |
| 3 | 05_03_019712 | Carriage |
| 4 | 01_04_085139 | Handle tube |
| 5 | 03_05_015052 | Handle bar |
| 6 | 05_06_017009 | Tripus handle bar |
| 7 | 07_07_084706 | Handle tube special |
| 8 | 01_08_013347 | Circuit diagram |
| 9 | 01_09_015024 | Tool kit |
| 10 | 01_10_013347 | Accesories |

1 Basic machine



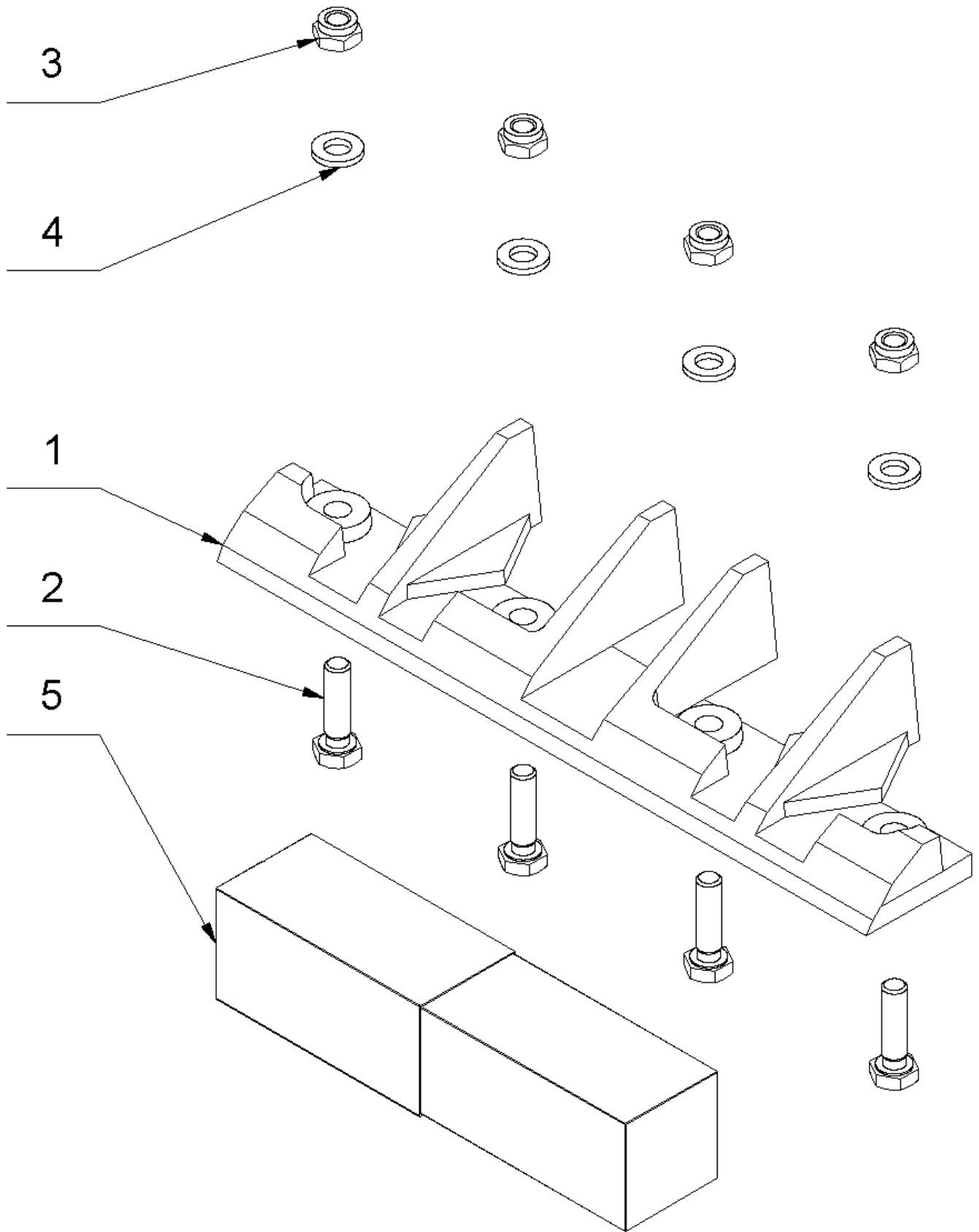
1 Basic machine

| Item no. | Article no. | Description | Quantity |
|----------|-------------|--|----------|
| 1 | 015021 | Motor DURO 230V SEE 085880 | 1 |
| 1 | 017567 | Motor230V reinorange RAL2004 SEE 85883 | 1 |
| 1 | 021593 | Motor 230V yellow RAL1028 SEE 85883 | 1 |
| 1 | 017827 | Motor 230V red RAL3000 SEE 85883 | 1 |
| 2 | 015221 | Striking foot DURO/ECO/Primo | 1 |
| 3 | 015227 | Grip Frame DURO | 1 |
| 4 | 015224 | Bearing plate DURO | 1 |
| 4 | 017846 | Bearing plate Duro orange RAL 2004 | 1 |
| 4 | 021585 | Bearing plate Duro yellow RAL 1028 | 1 |
| 4 | 017844 | Bearing plate Duro red RAL 3000 | 1 |
| 5 | 076699 | Excenter shaft DURO from 2014 | 1 |
| 6 | 087346 | Grip 160mm Duro 2.0 | 1 |
| 7 | 015233 | Flange DURO | 1 |
| 8 | 015225 | Balance Disc DURO | 1 |
| 9 | 015234 | Crown wheel Duro | 1 |
| 10 | 014931 | Rubber Bearing Duro/Eco/Primo-Stripper | 4 |
| 11 | 054035 | Nut key 5x5x12 DIN 6885 | 1 |
| 12 | 015218 | Sealing ring Motor Duro 2.0 | 1 |
| 13 | 013345 | Spare blades, 210 x 60 x 1 mm Duro/Vario | 1 |
| 14 | 016944 | Distance ring 0,3 mm Motor Duro 2.0 | 2 |
| 15 | 036009 | Blade holder set ECO | 1 |
| 16 | 014857 | Safety washer I52 DIN 472 | 1 |
| 17 | 014711 | Ball bearing 6304 | 1 |
| 18 | 014752 | Cylinder head screw M6x20DIN 912 microve | 8 |
| 19 | 014827 | Washer M6 DIN 125 A | 4 |
| 20 | 014750 | Cylinder head bolt M5x25 DIN 912 microv | 8 |
| 21 | 014858 | Schnorr washer M5 | 4 |
| 22 | 014674 | Ball bearing 3304 2RSC3 | 1 |
| 23 | 014830 | Washer M12 DIN 125 A | 1 |
| 24 | 014764 | Countersunk screw M8x16 DIN7991 micro | 1 |
| 25 | 014847 | Shaft seal A28x52x7 NBR | 1 |
| 26 | 014815 | Hexagon nut M6 DIN985 | 12 |
| 27 | 014751 | Cylinder head screw M6x14 DIN 912 mikrov | 4 |
| 28 | 014772 | Hexagon head bolt M 6x22 DIN 933 | 4 |

1 Basic machine

| Item no. | Article no. | Description | Quantity |
|----------|-------------|-----------------------------------|----------|
| 29 | 016139 | Cylinder head bolt M14x35 DIN 912 | 2 |
| 30 | 014863 | Schnorr Washer M14 | 2 |
| 31 | 014932 | Rubber sleeve | 1 |
| 32 | 015433 | Baffle Duro-Stripper | 1 |
| 33 | 014775 | Hexagon bolt M 8x25 DIN 933 | 2 |
| 34 | 014860 | Schnorr Washer M8 | 2 |
| 35 | 015023 | Switch lever Duro | 1 |
| 36 | 014797 | Countersunk screw 5,0x60 | 2 |
| 37 | 017741 | Washer M14 DIN 125 | 2 |
| 38 | 049282 | Stopper Ø25,0 black | 1 |

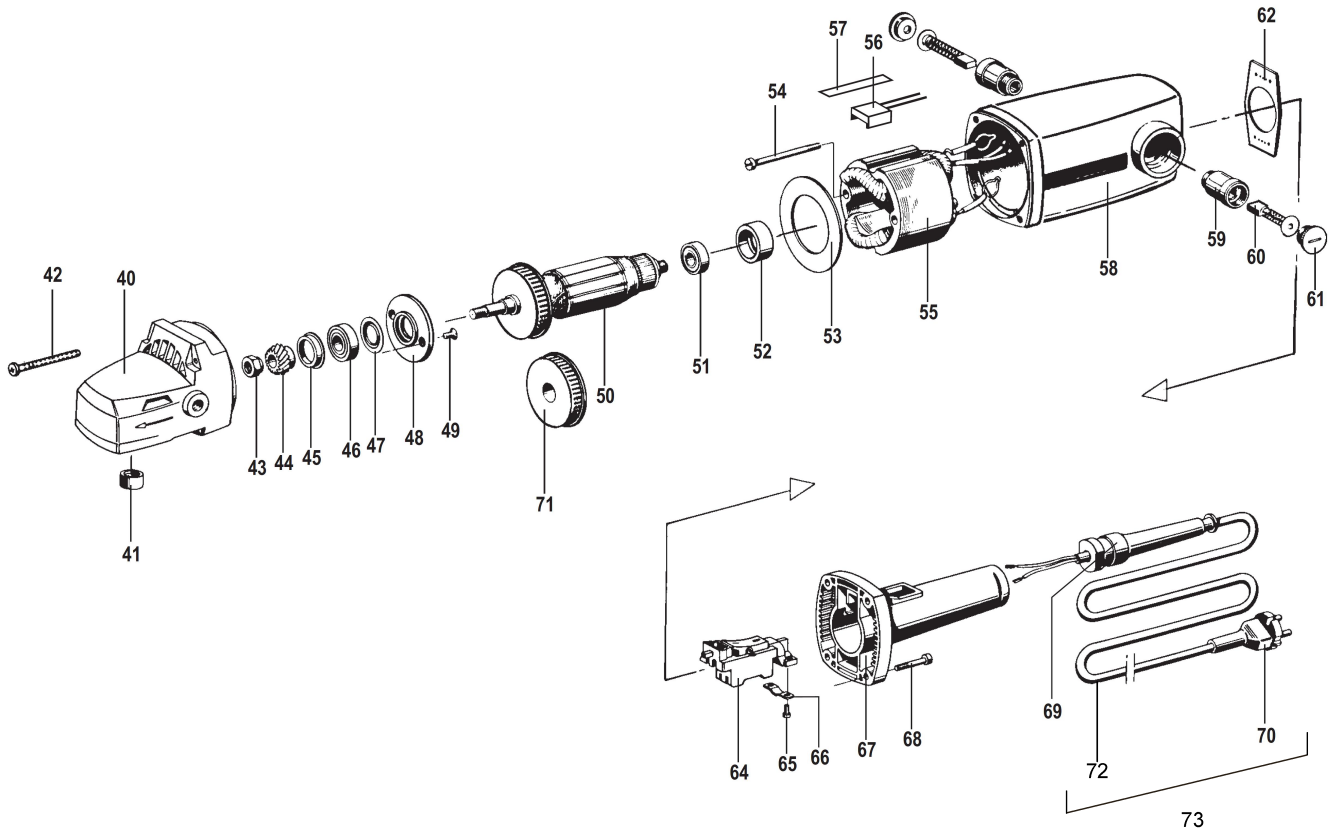
15 Blade holder set ECO



15 Blade holder set ECO

| Item no. | Article no. | Description | Quantity |
|----------|-------------|--|----------|
| 1 | 015223 | Deflector new Duro/Vario/Eco/Primo | 1 |
| 2 | 014772 | Hexagon head bolt M 6x22 DIN 933 | 4 |
| 3 | 014815 | Hexagon nut M6 DIN985 | 4 |
| 4 | 014827 | Washer M6 DIN 125 A | 4 |
| 5 | 014962 | Plastic box 30x65 SM1200/SM800/Duro/LS | 1 |

2 Motor



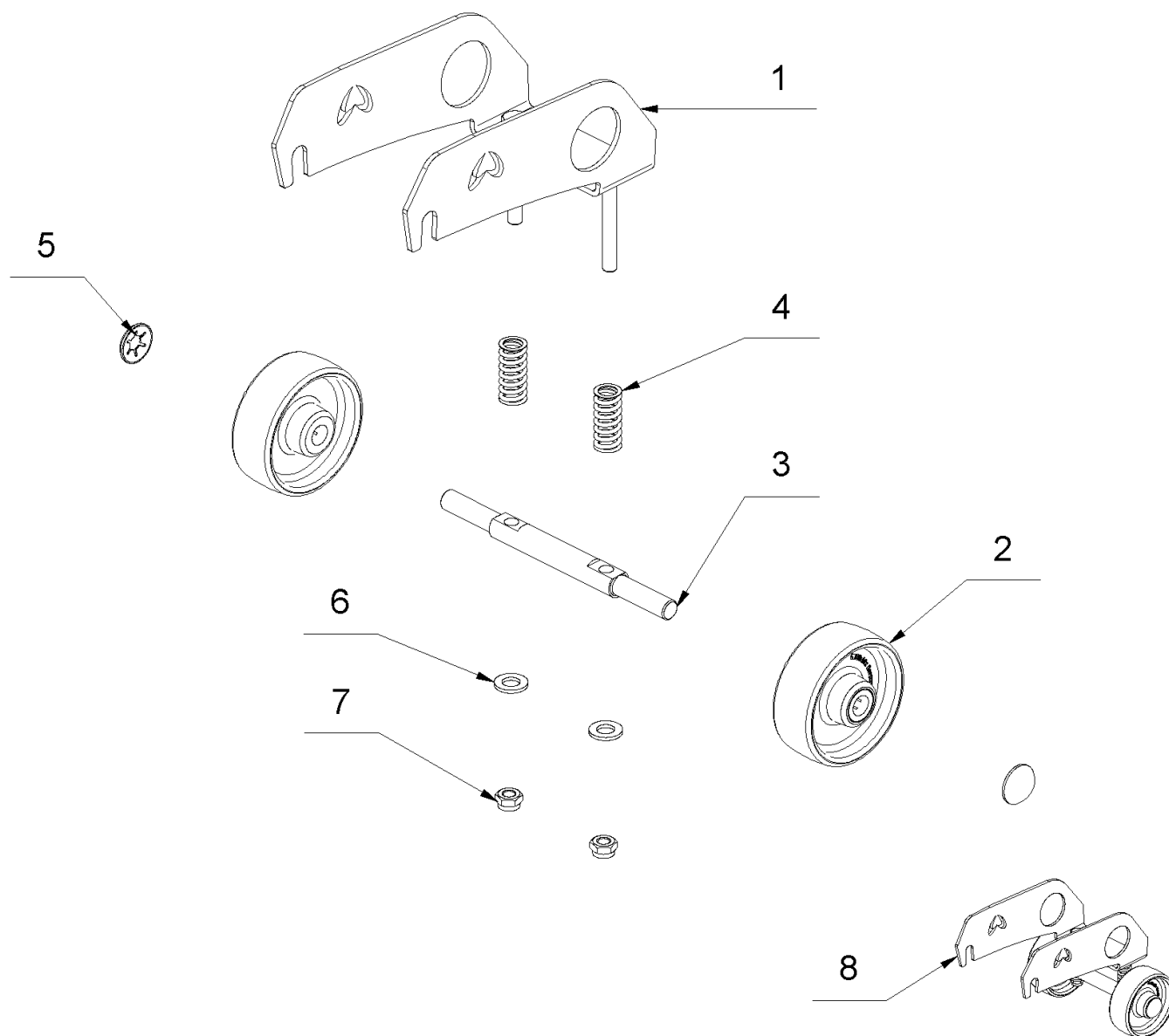
2 Motor

| Item no. | Article no. | Description | Quantity |
|----------|-------------|--|----------|
| 35 | 015023 | Switch lever Duro | 1 |
| 36 | 014797 | Countersunk screw 5,0x60 | 2 |
| 38 | 019014 | Tooth washer V 5,3 DIN 6798 | 2 |
| 40 | 015189 | Gear Block Housing Motor Duro | 1 |
| 41 | 015190 | Needle bearing HK 1512 Motor Duro 2.0 | 1 |
| 42 | 015191 | Cylinder head screw special M5x45 | 4 |
| 43 | 015192 | Hexagon nut M10 fine thread | 1 |
| 44 | 015193 | Pinion gear Duro '44 | 1 |
| 45 | 015194 | Sealing ring Flex BS180/Duro | 1 |
| 46 | 014709 | Ball-bearing 6202 | 1 |
| 47 | 015195 | Sealing ring Flex BS180/Duro | 1 |
| 48 | 015196 | Cover Flex BS180/Duro | 1 |
| 49 | 016312 | Countersunk bolt M5x16 DIN 7991 10.9 | 1 |
| 50 | 015198 | Armature 230 V compl. Duro/Flex | 1 |
| 51 | 014701 | Ball-bearing 6001 2RSC3 | 1 |
| 52 | 015199 | Bearing ring BS180/Duro | 1 |
| 53 | 015200 | Air guide Flex BS180/Duro | 1 |
| 54 | 019523 | Plastic Bolt 5x74 TX25 | 2 |
| 55 | 039398 | Magnetic field Flex BS180 | 1 |
| 56 | 015235 | Current limiter 230V 3adrig BIRO | 1 |
| 57 | 015202 | Insulation no longer available | 1 |
| 58 | 015203 | Motor case with carbon brush holder 230V | 1 |
| 59 | 015205 | Carbon brush holder 230V Duro | 2 |
| 60 | 016853 | Carbon brush 230 V Duro | 2 |
| 61 | 015207 | Carbon brush cap BS180/Duro | 2 |
| 62 | 015208 | Sealing Plate BS180/Duro | 1 |
| 64 | 015209 | Switch on/off Duro | 1 |
| 65 | 015210 | Lens head screw M 4x12 | 2 |
| 66 | 015211 | Cable clamp Motor Duro 2.0 | 1 |
| 67 | 015212 | Handle Duro | 1 |
| 68 | 014796 | Countersunk screw 5,0x50 | 2 |
| 69 | 015214 | Cable Sleeve | 1 |
| 70 | 039203 | Plug grey | 1 |
| 70 | 019165 | Plug 230V 3-polig Switzerland | 1 |

2 Motor

| Item no. | Article no. | Description | Quantity |
|----------|-------------|--|----------|
| 71 | 015216 | Fan Flex BS180/Duro | 1 |
| 72 | 042160 | Cable 2x2,5 ² x4m black SEE 15215 | 1 |
| 73 | 015215 | Cable 2x1 ² x4m black w.plug | 1 |
| 73 | 083110 | El.cord 2x1 ² x4m 230V w.plug CH | 1 |

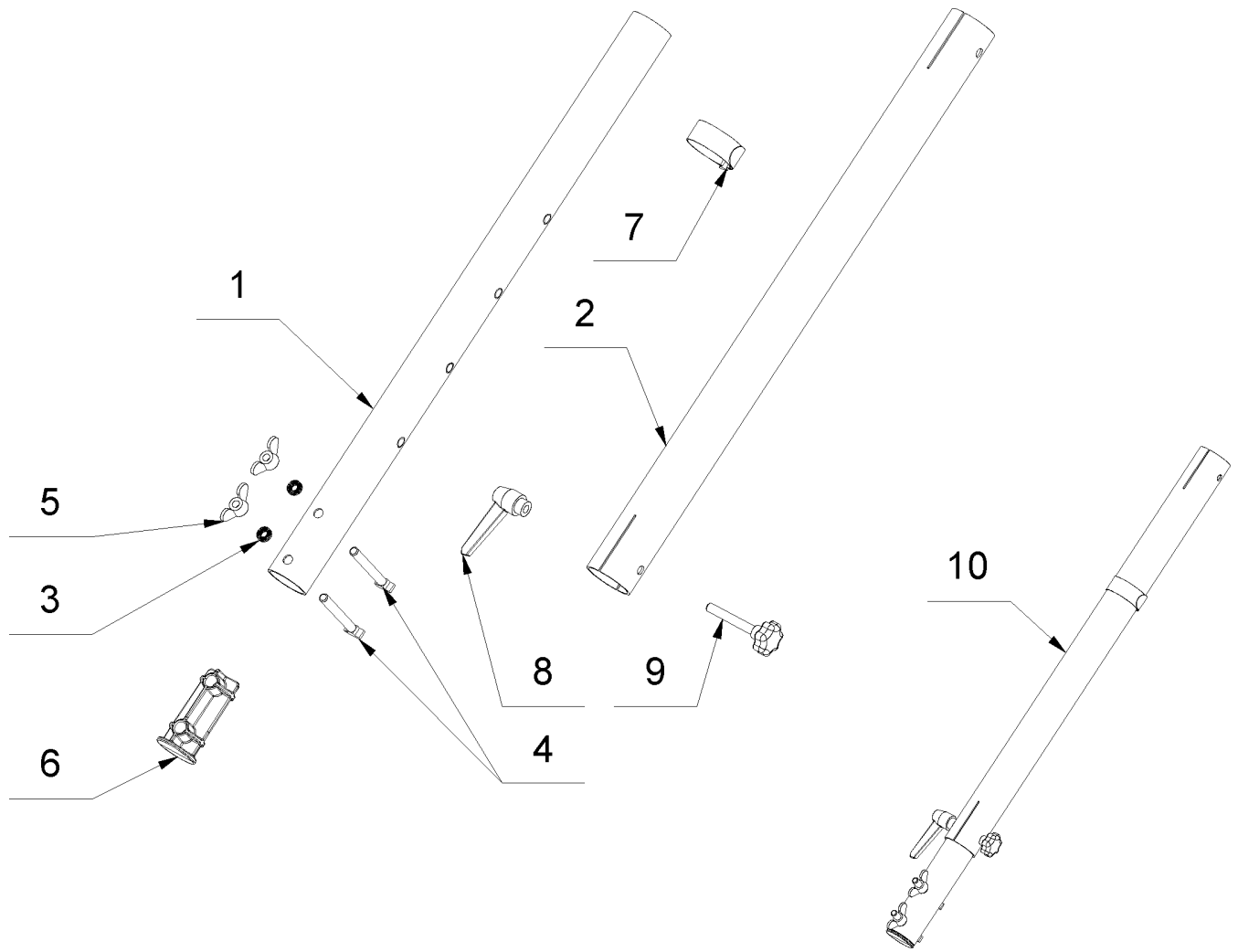
3 Carriage



3 Carriage

| Item no. | Article no. | Description | Quantity |
|----------|-------------|-------------------------------------|----------|
| 1 | 085356 | SG-Chassis Duro 2.0 RAL 9006 silver | 1 |
| 2 | 014953 | Transport wheel with needle-bearing | 2 |
| 3 | 017212 | Axel chassis Duro | 1 |
| 4 | 014896 | Pressure spring 17,50x45x3 | 2 |
| 5 | 014881 | Starlock Ø15 with cap | 2 |
| 6 | 014829 | Washer M10 DIN 125 A | 2 |
| 7 | 014817 | Hexagon nut M10 DIN 985 | 2 |
| 8 | 019712 | Carriage complete Duro | 1 |

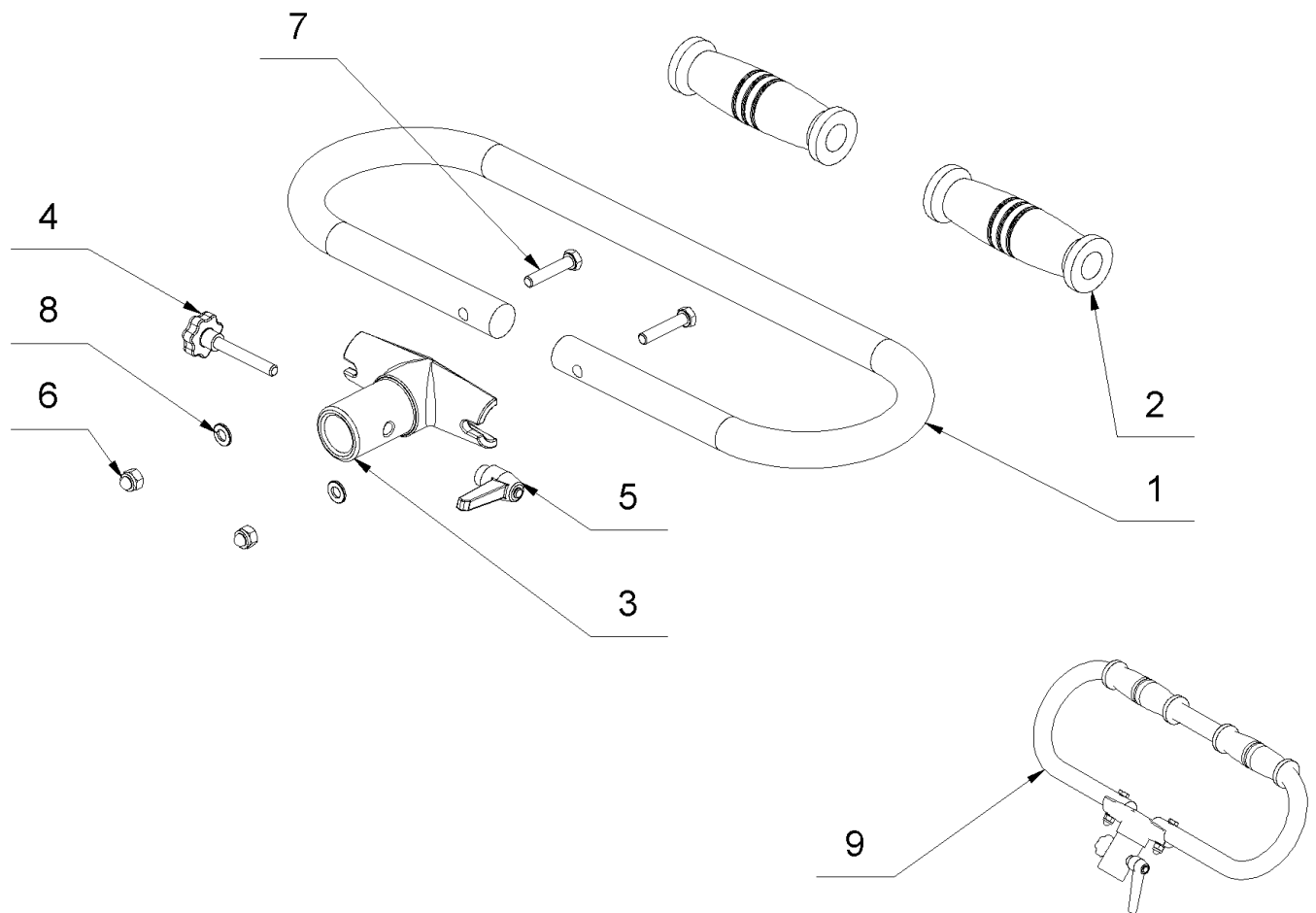
4 Handle tube



4 Handle tube

| Item no. | Article no. | Description | Quantity |
|----------|-------------|--------------------------------|----------|
| 1 | 015226 | Inner tube Duro | 1 |
| 2 | 085139 | Handle Tube cpl. Duro 2.0 | 1 |
| 3 | 014828 | Washer M8 DIN 125 A | 2 |
| 4 | 014768 | T-head bolt M8x70 DIN 186 A | 2 |
| 5 | 014824 | Wing nut M8 DIN 315 | 2 |
| 6 | 074423 | Stopper innertube Duro/EcoStr. | 1 |
| 7 | 178579 | Velcro cable tie 20cm black | 1 |
| 8 | 014877 | Clamping lever M8 Duro | 1 |
| 9 | 014919 | Star grip bolt M8x55 | 1 |
| 10 | 085139 | Handle Tube cpl. Duro 2.0 | 1 |

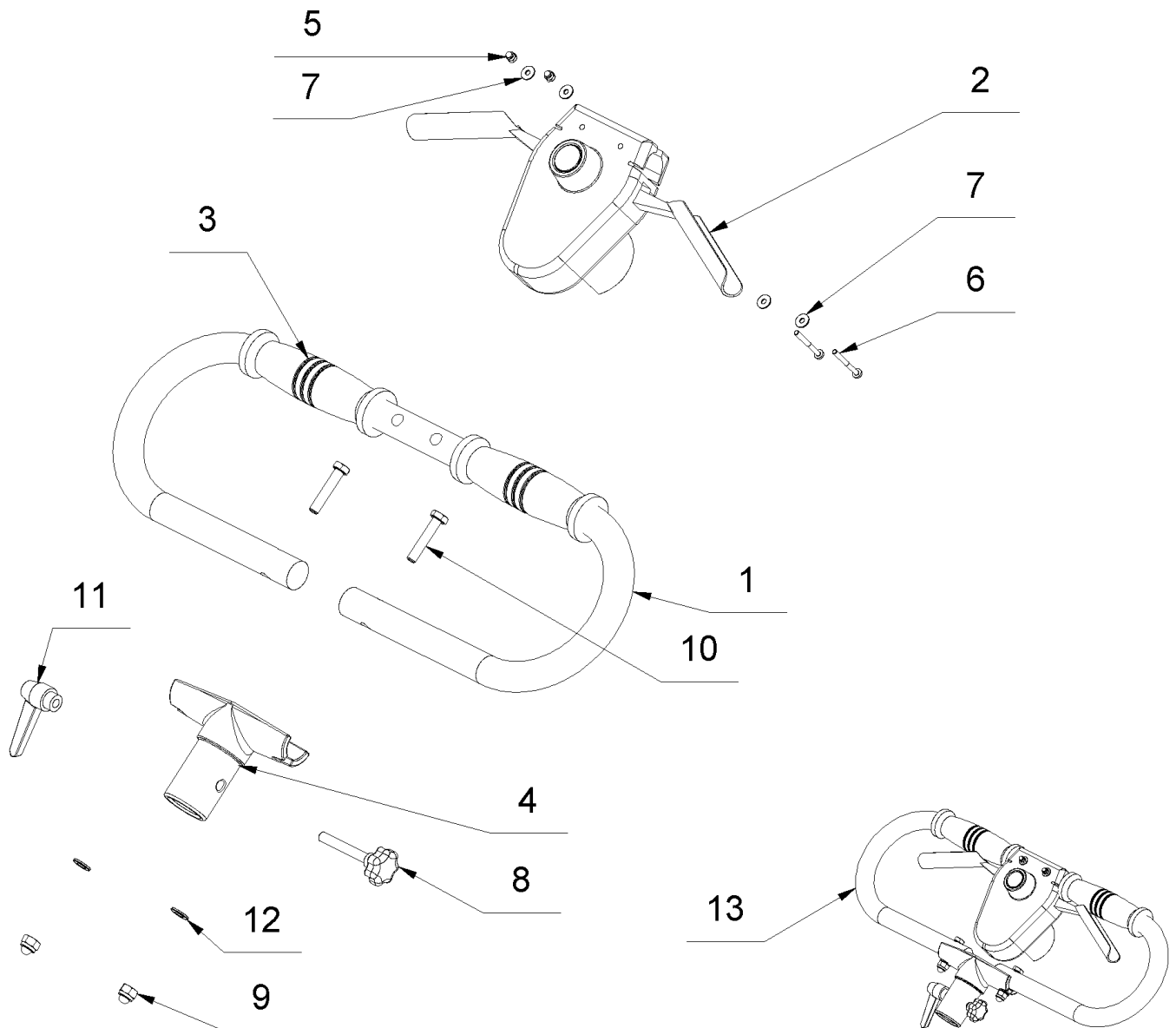
5 Handle bar



5 Handle bar

| Item no. | Article no. | Description | Quantity |
|----------|-------------|------------------------------|----------|
| 1 | 015435 | Handel bar Duro | 1 |
| 2 | 014923 | Grip cover/foam | 2 |
| 3 | 015434 | T-piece Duro | 1 |
| 4 | 014919 | Star grip bolt M8x55 | 1 |
| 5 | 014877 | Clamping lever M8 Duro | 1 |
| 6 | 014825 | Cap nut M8 DIN 986 | 2 |
| 7 | 014776 | Hexagon bolt M 8x 40 DIN 931 | 2 |
| 8 | 014828 | Washer M8 DIN 125 A | 2 |
| 9 | 015052 | Handle bar complete Duro | 1 |

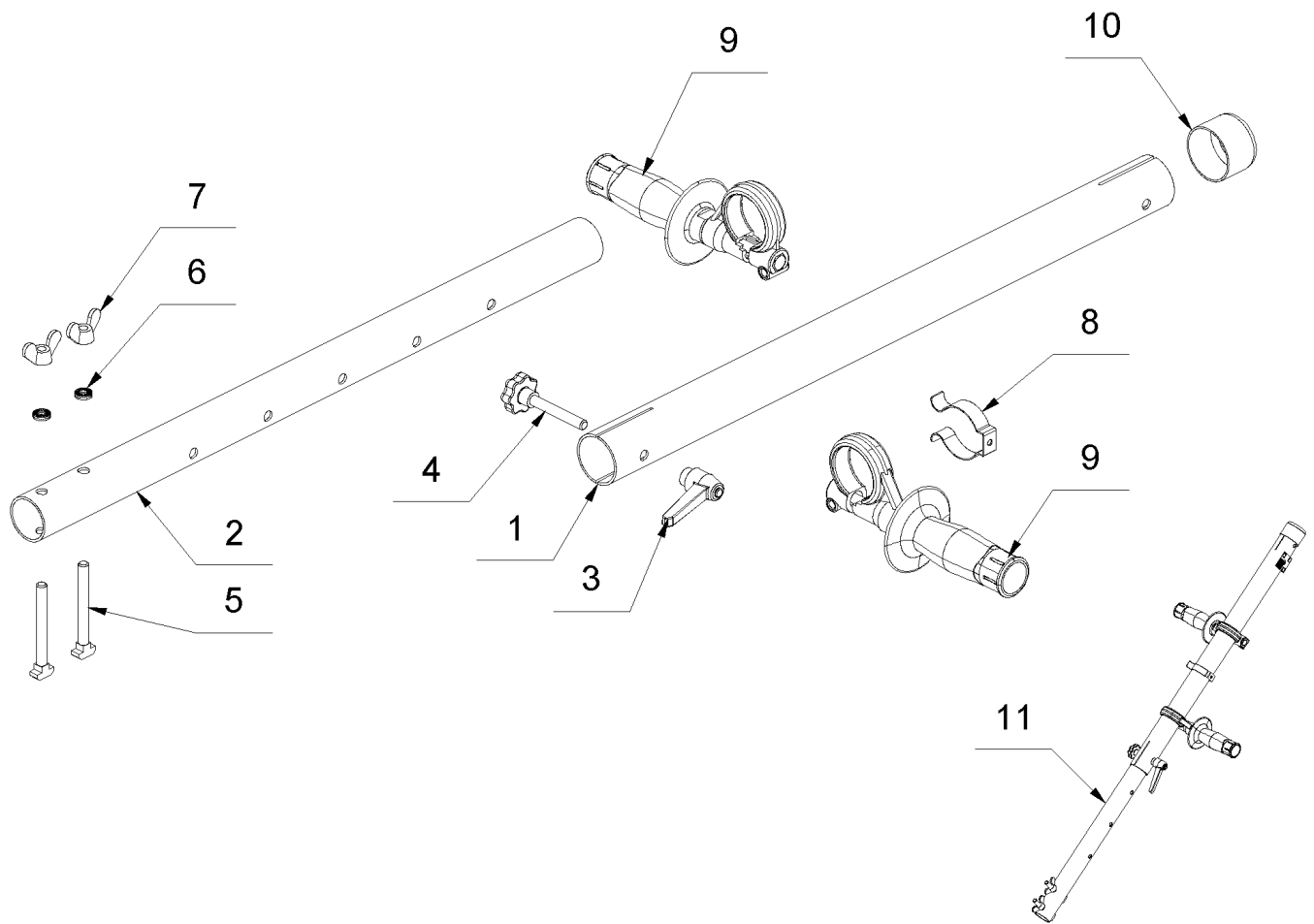
6 Tripus handle bar



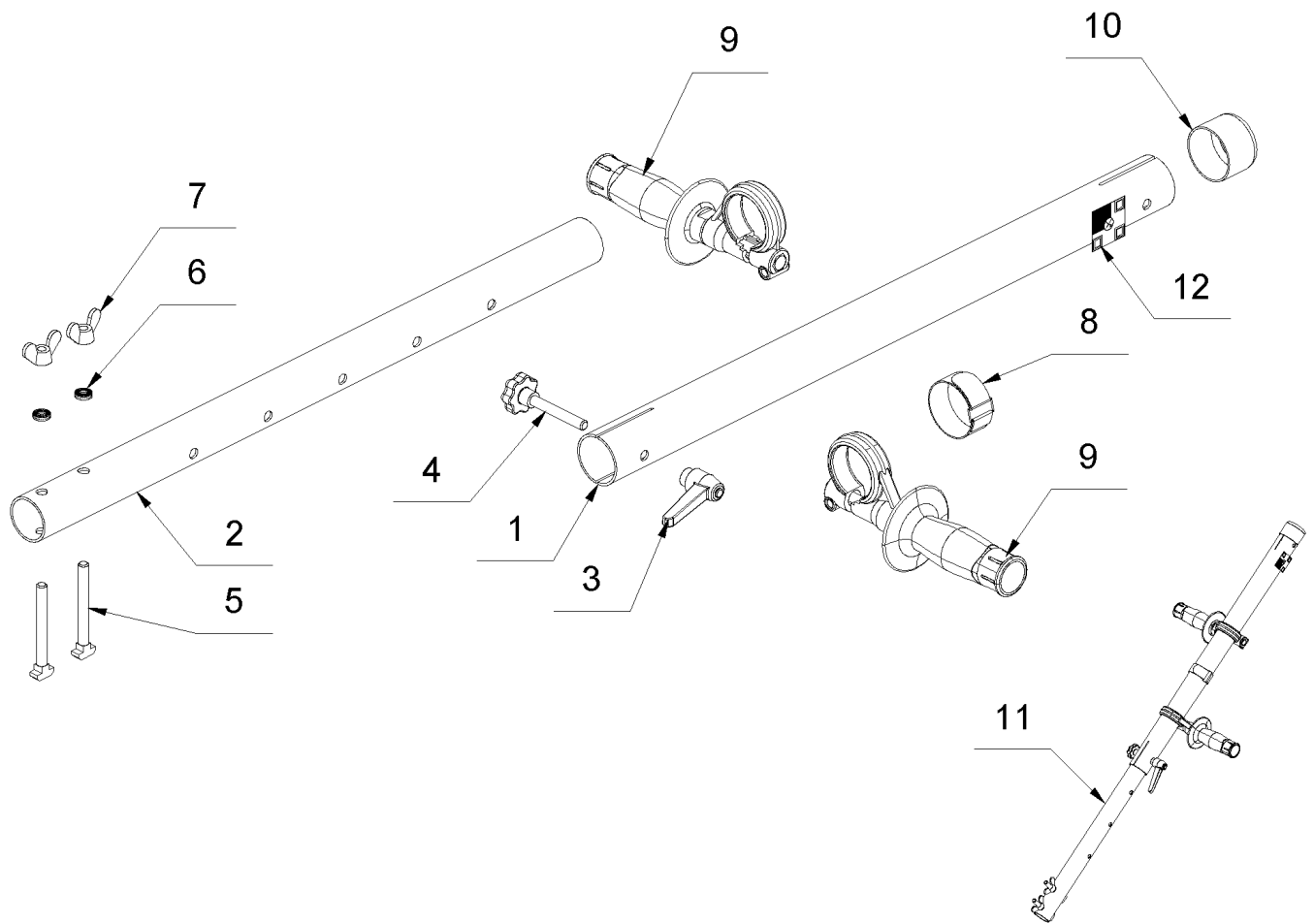
6 Tripus handle bar

| Item no. | Article no. | Description | Quantity |
|----------|-------------|------------------------------|----------|
| 1 | 017577 | Handel bar Tripus | 1 |
| 2 | 015231 | Switch TRIPUS | 1 |
| 3 | 014923 | Grip cover/foam | 2 |
| 4 | 015434 | T-piece Duro | 1 |
| 5 | 017566 | Cap nut M4 DIN 986 | 2 |
| 6 | 017733 | Lens bolt M4x45 DIN 7985 | 2 |
| 7 | 017658 | Washer M4 DIN 9021 | 4 |
| 8 | 014919 | Star grip bolt M8x55 | 1 |
| 9 | 014825 | Cap nut M8 DIN 986 | 2 |
| 10 | 014776 | Hexagon bolt M 8x 40 DIN 931 | 2 |
| 11 | 014877 | Clamping lever M8 Duro | 1 |
| 12 | 014828 | Washer M8 DIN 125 A | 2 |
| 13 | 017009 | Handel bar complete Tripus | 1 |

7 Handle tube special



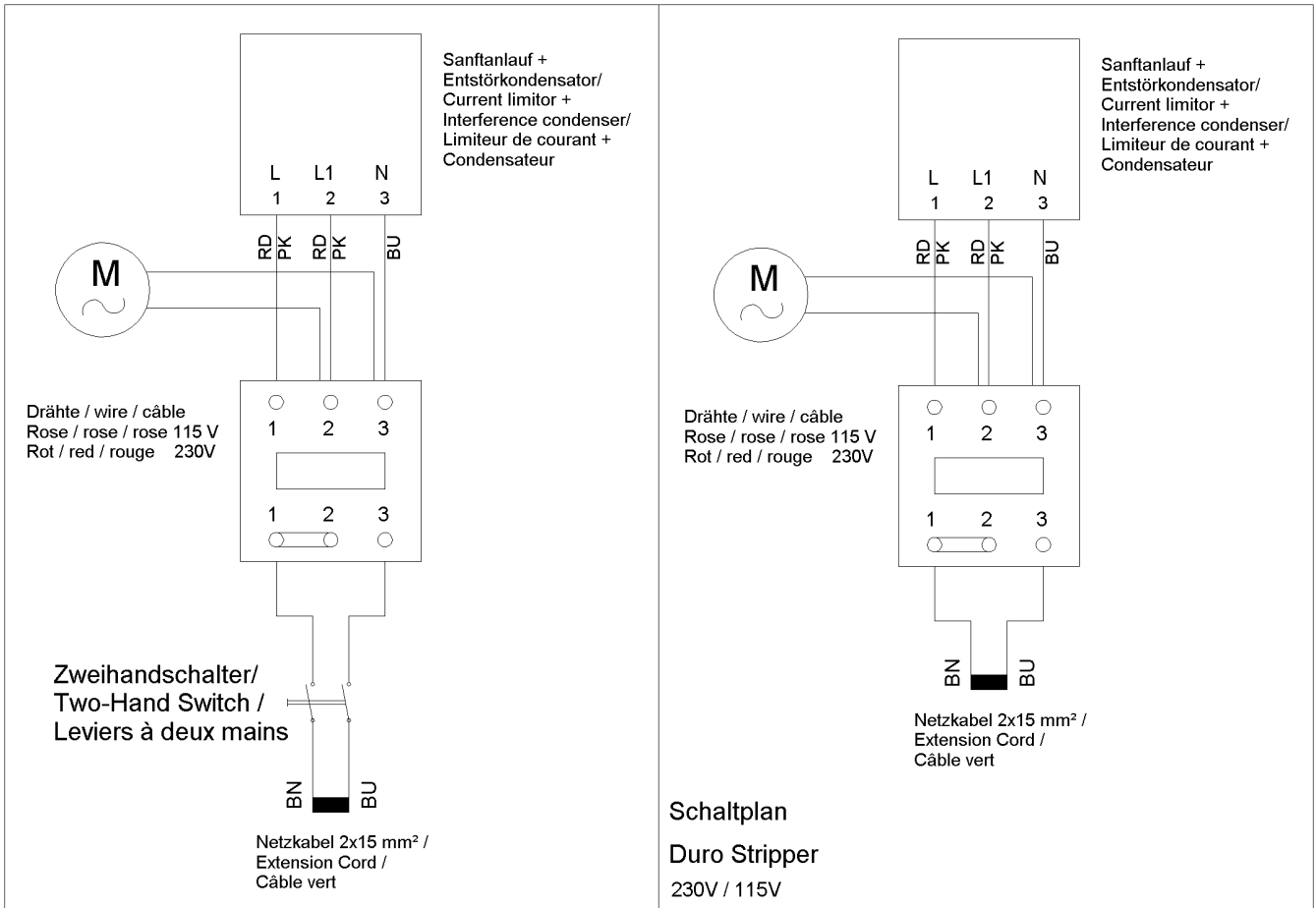
7 Handle tube special



7 Handle tube special

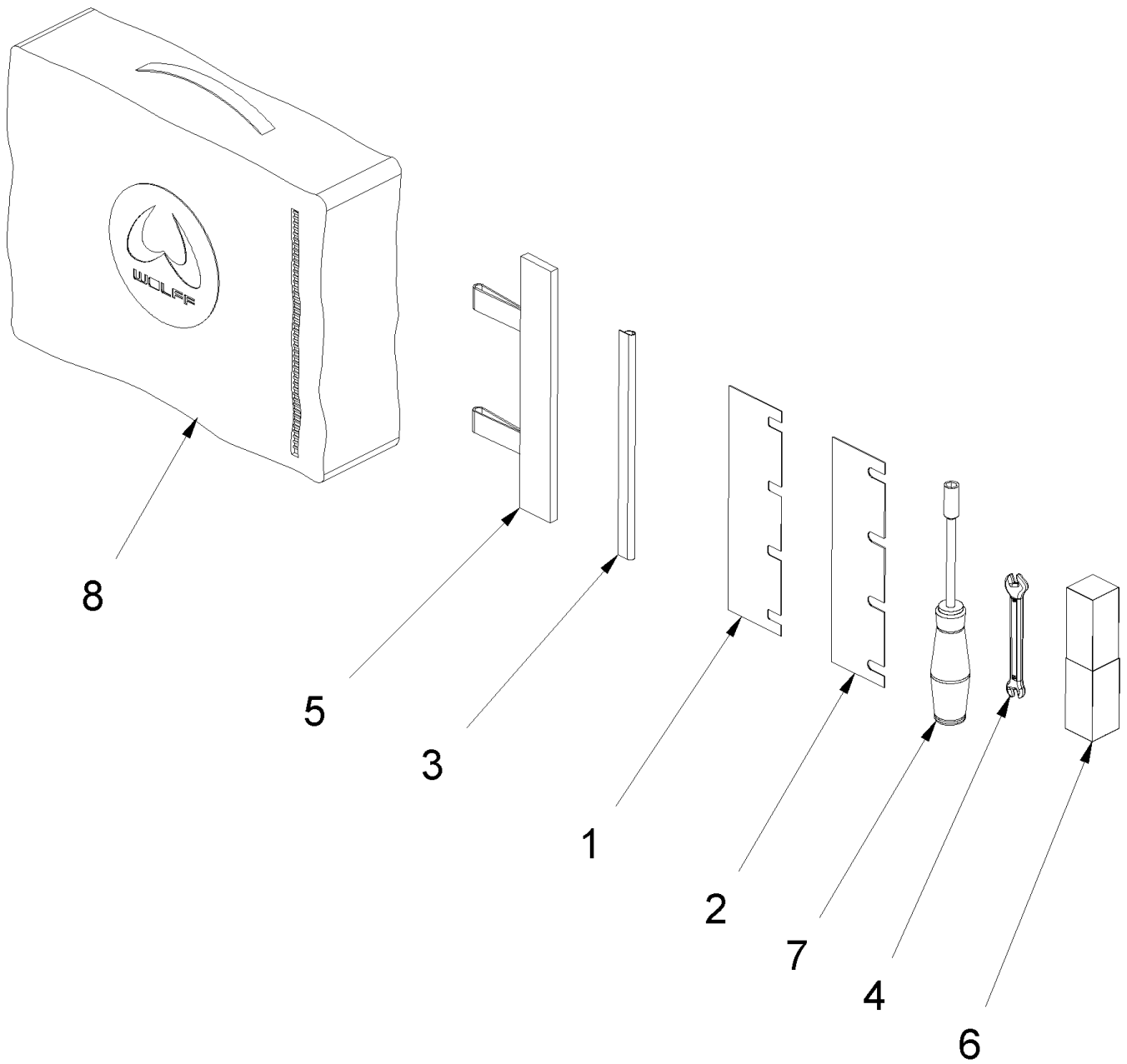
| Item no. | Article no. | Description | Quantity |
|----------|-------------|------------------------------------|----------|
| 1 | 062803 | Exterior Tube Duro Handel VG | 1 |
| 2 | 062802 | Interior Tube Duro Handel VG | 1 |
| 3 | 014877 | Clamping lever M8 Duro | 1 |
| 4 | 014919 | Star grip bolt M8x55 | 1 |
| 5 | 014768 | T-head bolt M8x70 DIN 186 A | 2 |
| 6 | 014828 | Washer M8 DIN 125 A | 2 |
| 7 | 014824 | Wing nut M8 DIN 315 | 2 |
| 8 | 178579 | Velcro cable tie 20cm black | 1 |
| 9 | 014925 | Special handle Duro | 2 |
| 10 | 014935 | End cap outer tube | 1 |
| 11 | 084706 | Handel Duro-Stripper with VG cplt. | 1 |

8 Circuit diagram



8 Circuit diagram

9 Tool kit



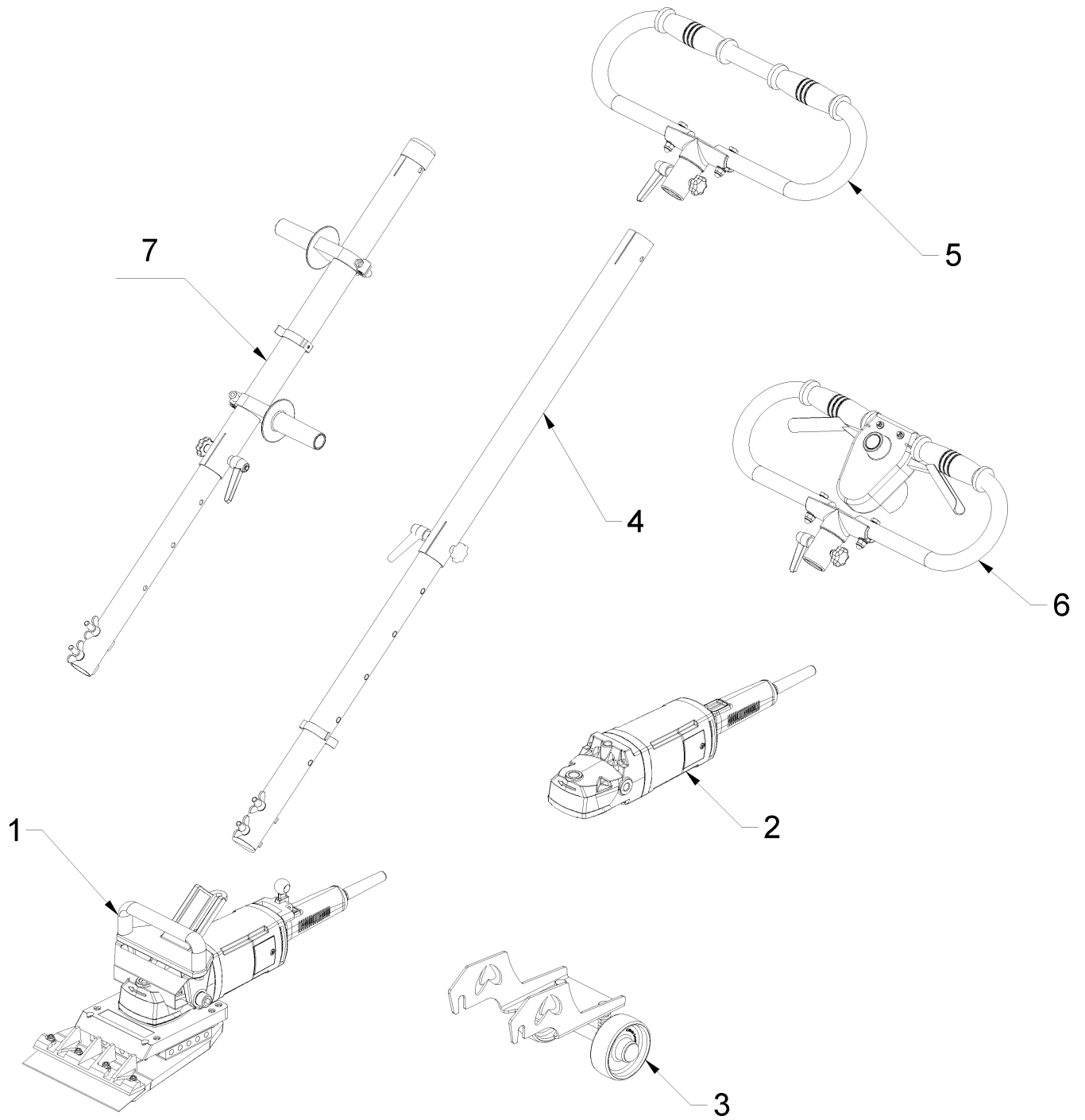
9 Tool kit

| Item no. | Article no. | Description | Quantity |
|----------|-------------|--|----------|
| 1 | 013344 | Spare blades, 210 x 60 x 0,7 mm Duro/Var | 1 |
| 2 | 013345 | Spare blades, 210 x 60 x 1 mm Duro/Vario | 1 |
| 3 | 015229 | Blade protection 210mm | 1 |
| 4 | 017612 | Double fork wrench sw10/13 mm | 1 |
| 5 | 033203 | Blade protection Duro/Vario/Eco/Primo | 1 |
| 6 | 014962 | Plastic box 30x65 SM1200/SM800/Duro/LS | 1 |
| 7 | 017598 | Special key SW10 Wolff | 1 |
| 8 | 054064 | Tool bag green - Wolff | 1 |

10 Accesories

| Article no. | Description |
|-------------|--|
| 013344 | Spare blades, 210 x 60 x 0,7 mm Duro/Var |
| 013346 | Spare blades, 210 x 60 x 1,5 mm Duro/Var |
| 013349 | Carrying case Duro-Stripper |
| 084706 | Handel Duro-Stripper with VG cplt. |
| 013342 | Carpet clamp Premium |
| 065500 | Profi hand sraper Wolff |
| 013345 | Spare blades, 210 x 60 x 1 mm Duro/Vario |
| 048402 | Serrated blade, 210 x 60 x 1mm |
| 016151 | Wheel set Duro Stripper |
| 062700 | Ergo Cutter |
| 051505 | Hand scraper WOLFF |
| 013934 | Floor scraper SEE 34543 |
| 085652 | Duro-Stripper 2.0 230V/50Hz VG |
| 015315 | Hearing protectors |
| 015809 | Safety gloves 1 pair |

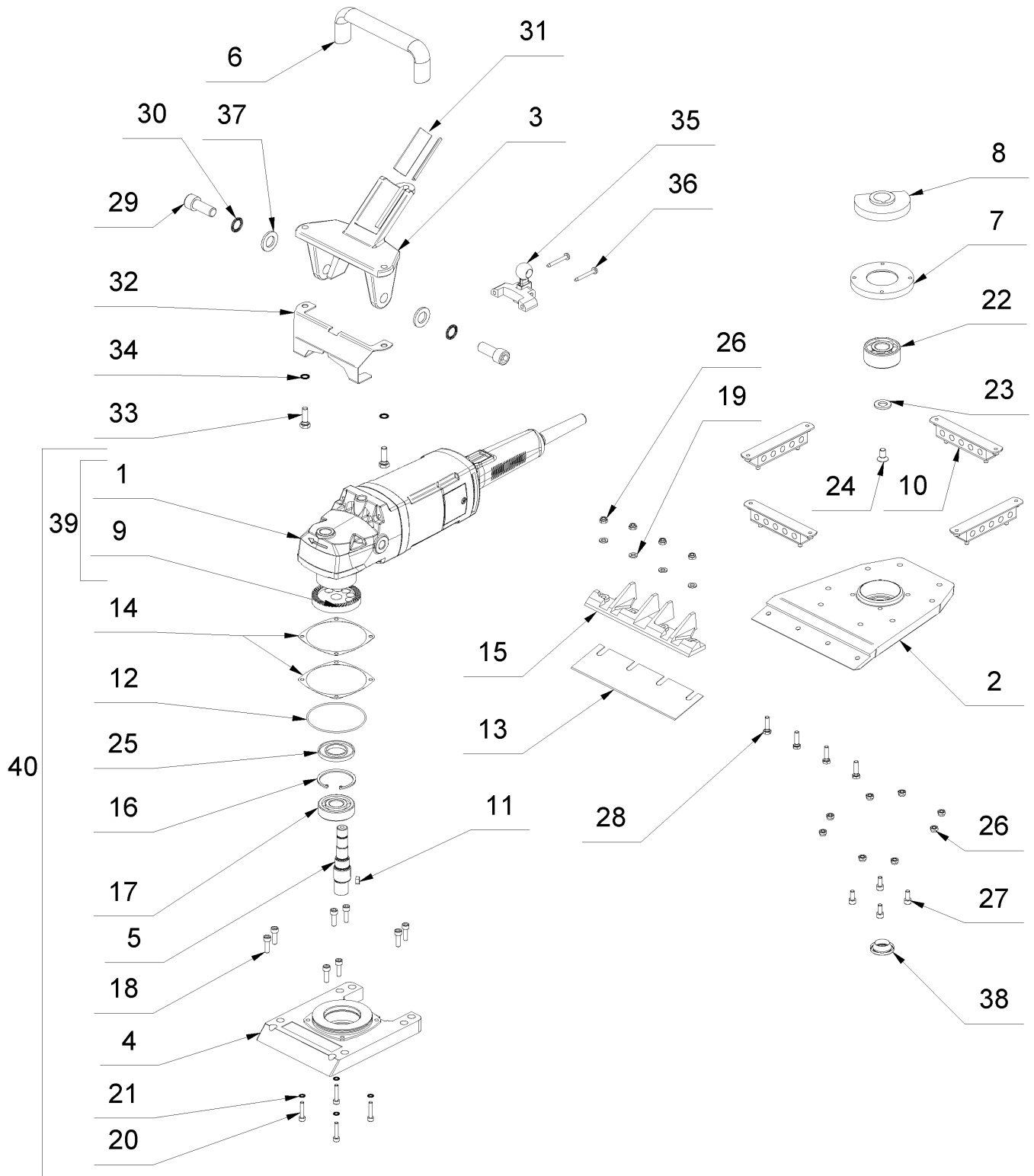
1 Duro Stripper 2.0 (01/2018 - 12/2021)



1 Duro Stripper 2.0 (01/2018 - 12/2021)

| Item no. | Article no. | Description |
|----------|--------------|---------------------|
| 1 | 01_01_084888 | Basic machine |
| 2 | 01_02_084888 | Motor |
| 3 | 01_03_085357 | Carriage |
| 4 | 01_04_085139 | Handle tube |
| 5 | 03_05_015052 | Handle bar |
| 6 | 05_06_017009 | Tripus handle bar |
| 7 | 07_07_084706 | Handle tube special |
| 8 | 01_08_084888 | Circuit diagram |
| 9 | 01_09_015024 | Tool kit |
| 10 | 01_10_013347 | Accesories |

1 Basic machine



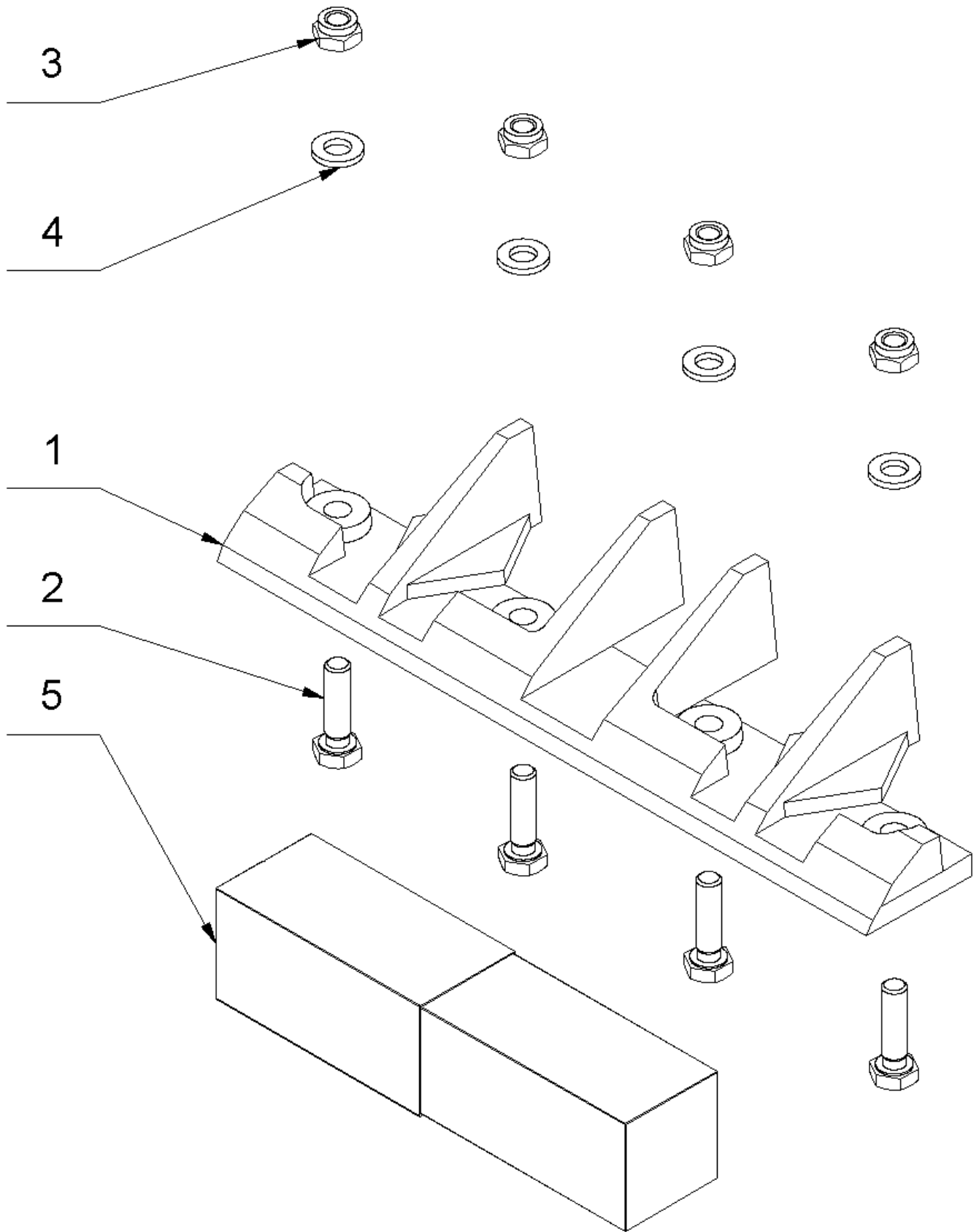
1 Basic machine

| Item no. | Article no. | Description | Quantity |
|----------|-------------|--|----------|
| 1 | 084307 | Motor Duro 2.0 230V green SEE 168636 | 1 |
| 1 | 085529 | Motor Duro 2.0 230V black SEE 168639 | 1 |
| 1 | 085530 | Motor Duro 2.0 230V ORANGE SEE 168638 | 1 |
| 2 | 015221 | Striking foot DURO/ECO/Primo | 1 |
| 3 | 015227 | Grip Frame DURO | 1 |
| 4 | 015224 | Bearing plate DURO | 1 |
| 4 | 017846 | Bearing plate Duro orange RAL 2004 | 1 |
| 4 | 021585 | Bearing plate Duro yellow RAL 1028 | 1 |
| 4 | 017844 | Bearing plate Duro red RAL 3000 | 1 |
| 4 | 084435 | Bearing plate Red RAL 3020 NL | 1 |
| 5 | 076699 | Excenter shaft DURO from 2014 | 1 |
| 6 | 087346 | Grip 160mm Duro 2.0 | 1 |
| 7 | 015233 | Flange DURO | 1 |
| 8 | 015225 | Balance Disc DURO | 1 |
| 9 | 164197 | Pinion + bevel gear Duro 2.0 - 2021 | 1 |
| 10 | 014931 | Rubber Bearing Duro/Eco/Primo-Stripper | 4 |
| 11 | 054035 | Nut key 5x5x12 DIN 6885 | 1 |
| 12 | 015218 | Sealing ring Motor Duro 2.0 | 1 |
| 13 | 013345 | Spare blades, 210 x 60 x 1 mm Duro/Vario | 1 |
| 14 | 016944 | Distance ring 0,3 mm Motor Duro 2.0 | 2 |
| 15 | 036009 | Blade holder set ECO | 1 |
| 16 | 014857 | Safety washer I52 DIN 472 | 1 |
| 17 | 014711 | Ball bearing 6304 | 1 |
| 18 | 014752 | Cylinder head screw M6x20DIN 912 microve | 8 |
| 19 | 014827 | Washer M6 DIN 125 A | 4 |
| 20 | 014750 | Cylinder head bolt M5x25 DIN 912 microv | 8 |
| 21 | 014858 | Schnorr washer M5 | 4 |
| 22 | 014674 | Ball bearing 3304 2RSC3 | 1 |
| 23 | 014830 | Washer M12 DIN 125 A | 1 |
| 24 | 014764 | Countersunk screw M8x16 DIN7991 micro | 1 |
| 25 | 085849 | Shaft seal WAS 28x52x5 NBR | 1 |
| 26 | 014815 | Hexagon nut M6 DIN985 | 12 |
| 27 | 014751 | Cylinder head screw M6x14 DIN 912 mikrov | 4 |
| 28 | 014772 | Hexagon head bolt M 6x22 DIN 933 | 4 |

1 Basic machine

| Item no. | Article no. | Description | Quantity |
|----------|-------------|--|----------|
| 29 | 016139 | Cylinder head bolt M14x35 DIN 912 | 2 |
| 30 | 014863 | Schnorr Washer M14 | 2 |
| 31 | 014932 | Rubber sleeve | 1 |
| 32 | 015433 | Baffle Duro-Stripper | 1 |
| 33 | 014775 | Hexagon bolt M 8x25 DIN 933 | 2 |
| 34 | 014860 | Schnorr Washer M8 | 2 |
| 35 | 015023 | Switch lever Duro | 1 |
| 36 | 014797 | Countersunk screw 5,0x60 | 2 |
| 37 | 017741 | Washer M14 DIN 125 | 2 |
| 38 | 049282 | Stopper Ø25,0 black | 1 |
| 39 | 085880 | BG-Motor Duro2.1 230V green w.Bev.gear | 1 |
| 39 | 085883 | BG-Motor Duro2.1 230V black w.Bev.gear | 1 |
| 40 | 085871 | BG-Motor Duro2.1 230V green w. B.Plate | 1 |
| 40 | 085884 | BG-Motor Duro2.1 230V blackw.B.Plate yel | 1 |
| 40 | 085876 | BG-Motor Duro2.1 230V blackw.B.Plate gre | 1 |
| 40 | 085875 | BG-Motor Duro2.1 230V blackw.B.Plate red | 1 |

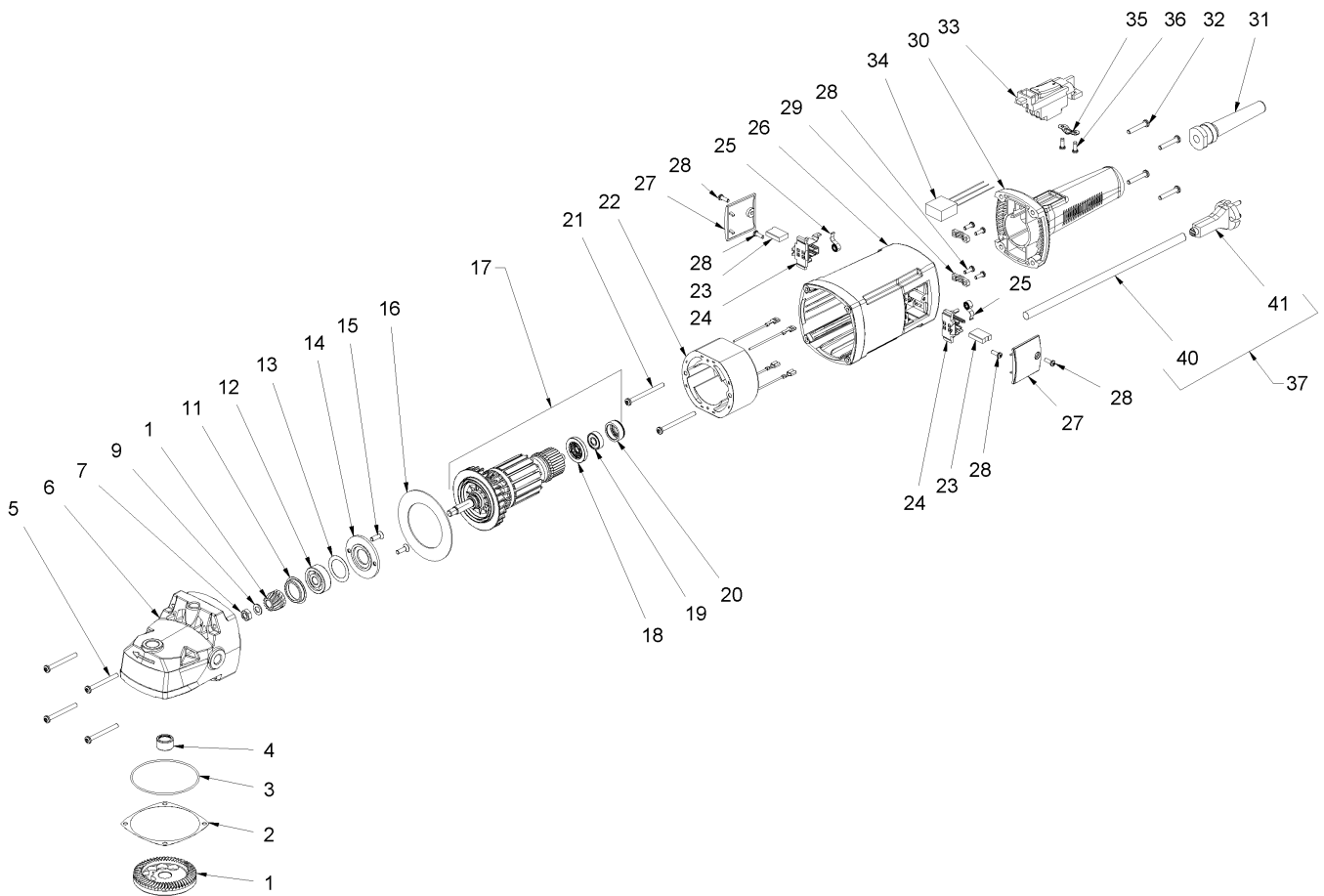
15 Blade holder set ECO



15 Blade holder set ECO

| Item no. | Article no. | Description | Quantity |
|----------|-------------|--|----------|
| 1 | 015223 | Deflector new Duro/Vario/Eco/Primo | 1 |
| 2 | 014772 | Hexagon head bolt M 6x22 DIN 933 | 4 |
| 3 | 014815 | Hexagon nut M6 DIN985 | 4 |
| 4 | 014827 | Washer M6 DIN 125 A | 4 |
| 5 | 014962 | Plastic box 30x65 SM1200/SM800/Duro/LS | 1 |

2 Motor



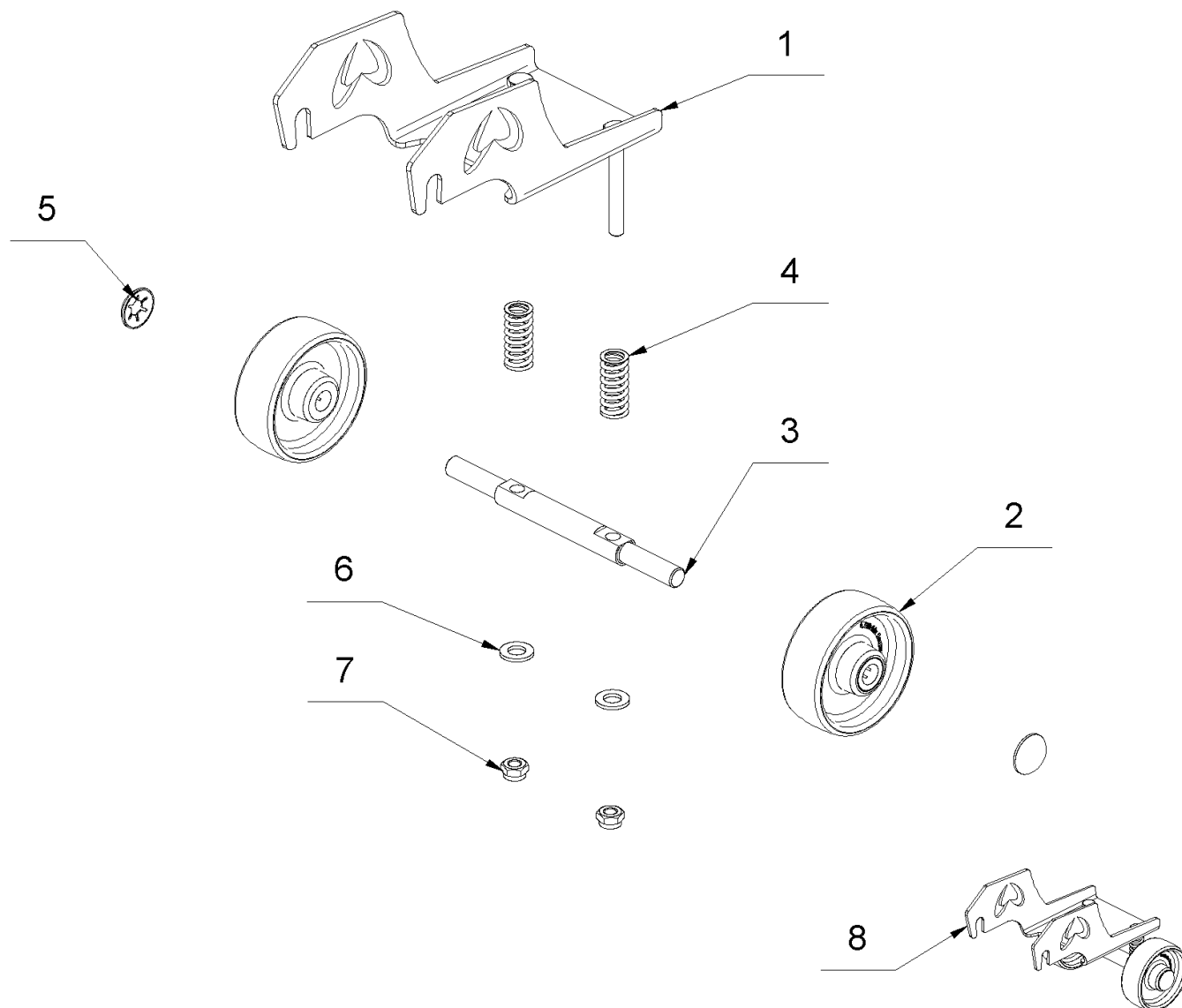
2 Motor

| Item no. | Article no. | Description | Quantity |
|----------|-------------|---|----------|
| 1 | 164197 | Pinion + bevel gear Duro 2.0 - 2021 | 1 |
| 2 | 016944 | Distance ring 0,3 mm Motor Duro 2.0 | 1 |
| 3 | 015218 | Sealing ring Motor Duro 2.0 | 1 |
| 4 | 015190 | Needle bearing HK 1512 Motor Duro 2.0 | 1 |
| 5 | 084981 | Countersunk Bolt M 5x50 (Torx) Duro 2.0 | 4 |
| 6 | 015189 | Gear Block Housing Motor Duro | 1 |
| 7 | 084982 | Hexagon nut Motor Duro 2.0 | 1 |
| 9 | 018074 | Shim ring 8x14x0.5 DIN 988 | 1 |
| 11 | 015194 | Sealing ring Flex BS180/Duro | 1 |
| 12 | 084985 | Ball bearing 6300-2RSH Duro 2.0 | 1 |
| 13 | 084986 | Shim ring 25x35x0,3 DIN 988 | 1 |
| 14 | 084987 | Cover Motor Duro 2.0 | 1 |
| 15 | 016312 | Countersunk bolt M5x16 DIN 7991 10.9 | 2 |
| 16 | 015200 | Air guide Flex BS180/Duro | 1 |
| 17 | 084988 | Armature 230V Motor Duro 2.0 | 1 |
| 18 | 084990 | Cover Motor Duro 2.0 | 1 |
| 19 | 084991 | Ball bearing 608-2RSL/C3 Duro 2.0 | 1 |
| 20 | 084992 | Bearing sleeve Motor Duro 2.0 | 1 |
| 21 | 084993 | Countersunk Bolt M 5x60 (Torx) Duro 2.0 | 2 |
| 22 | 084994 | Magnetic field coils Motor Duro 2.0 | 1 |
| 23 | 084996 | Carbon brush 230V Motor Duro 2.0 | 2 |
| 24 | 084998 | Carbon brush holder Motor Duro 2.0 | 2 |
| 25 | 084999 | Pressure spring Motor Duro 2.0 | 2 |
| 26 | 085092 | Motor housing Motor Duro 2.0 green | 1 |
| 26 | 088528 | Motor housing Motor Duro 2.0 black | 1 |
| 27 | 085093 | Carbon brush cap Motor Duro 2.0 green | 2 |
| 27 | 088529 | Carbon brush cap Motor Duro 2.0 black | 2 |
| 28 | 018039 | Screw KT4x12 Motor Duro 2.0 | 4 |
| 29 | 085094 | Cable clamb Motor Duro 2.0 | 2 |
| 30 | 015212 | Handle Duro | 1 |
| 31 | 015214 | Cable Sleeve | 1 |
| 32 | 015213 | Cylinder head screw Duro 5x30 | 4 |
| 33 | 015209 | Switch on/off Duro | 1 |
| 34 | 015235 | Current limiter 230V 3adrig BIRO | 1 |

2 Motor

| Item no. | Article no. | Description | Quantity |
|----------|-------------|--|----------|
| 35 | 015211 | Cable clamp Motor Duro 2.0 | 1 |
| 36 | 015210 | Lens head screw M 4x12 | 2 |
| 37 | 015215 | Cable 2x1 ² x4m black w.plug | 1 |
| 37 | 083110 | El.cord 2x1 ² x4m 230V w.plug CH | 1 |
| 37 | 086147 | Cord Duro 2.0 2x1,0 ² x4,1m AUS | 1 |
| 40 | 042160 | Cable 2x2,5 ² x4m black SEE 15215 | 1 |
| 41 | 039203 | Plug grey | 1 |
| 41 | 019165 | Plug 230V 3-polig Switzerland | 1 |
| o.Abb. | 085097 | Terminal 2-folder Motor Duro 2.0 | 1 |
| o.Abb. | 085098 | Braid Motor Duro 2.0 | 1 |

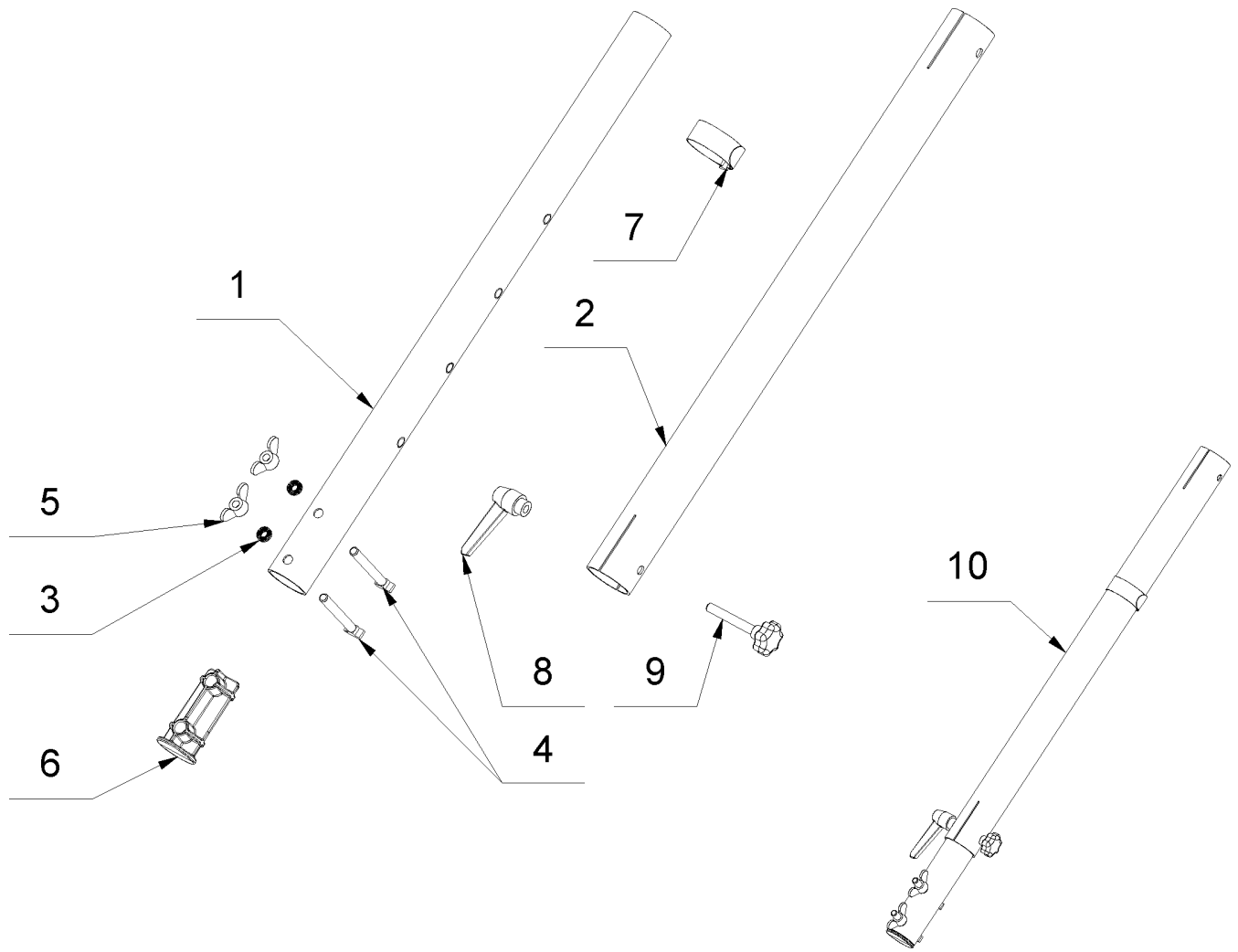
3 Carriage



3 Carriage

| Item no. | Article no. | Description | Quantity |
|----------|-------------|---|----------|
| 1 | 085356 | SG-Chassis Duro 2.0 RAL 9006 silver | 1 |
| 1 | 085956 | SG-Chassis Duro 2.0 RAL 1028 yellow | 1 |
| 1 | 085957 | SG-Chassis Duro 2.0 RAL 3020 Red | 1 |
| 1 | 085958 | SG-Chassis Duro 2.0 RAL 3000 firered | 1 |
| 2 | 014953 | Transport wheel with needle-bearing | 2 |
| 3 | 017212 | Axel chassis Duro | 1 |
| 4 | 014896 | Pressure spring 17,50x45x3 | 2 |
| 5 | 014881 | Starlock Ø15 with cap | 2 |
| 6 | 014829 | Washer M10 DIN 125 A | 2 |
| 7 | 014817 | Hexagon nut M10 DIN 985 | 2 |
| 8 | 085357 | Carriage complete silver Duro 2.0 | 1 |
| 8 | 086002 | Chassis cpl. RAL 3000 fire red Duro 2.0 | 1 |
| 8 | 086003 | Carriage complete yellow Duro 2.0 | 1 |

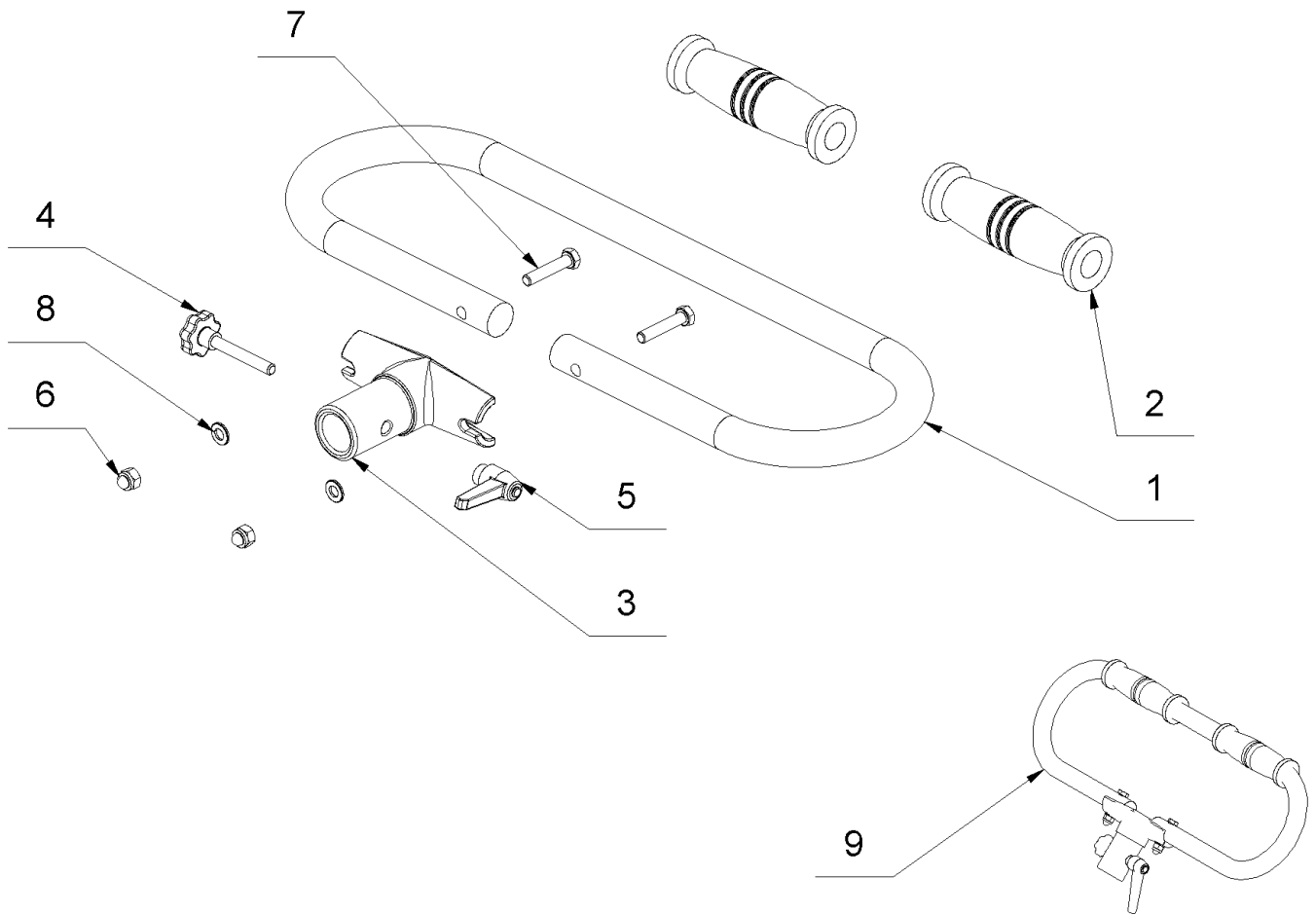
4 Handle tube



4 Handle tube

| Item no. | Article no. | Description | Quantity |
|----------|-------------|--------------------------------|----------|
| 1 | 085135 | Inner tube Duro 2.0 | 1 |
| 2 | 085136 | Outside tube Duro 2.0 | 1 |
| 3 | 014828 | Washer M8 DIN 125 A | 2 |
| 4 | 014768 | T-head bolt M8x70 DIN 186 A | 2 |
| 5 | 014824 | Wing nut M8 DIN 315 | 2 |
| 6 | 074423 | Stopper innertube Duro/EcoStr. | 1 |
| 7 | 178579 | Velcro cable tie 20cm black | 1 |
| 8 | 014877 | Clamping lever M8 Duro | 1 |
| 9 | 014919 | Star grip bolt M8x55 | 1 |
| 10 | 085139 | Handle Tube cpl. Duro 2.0 | 1 |

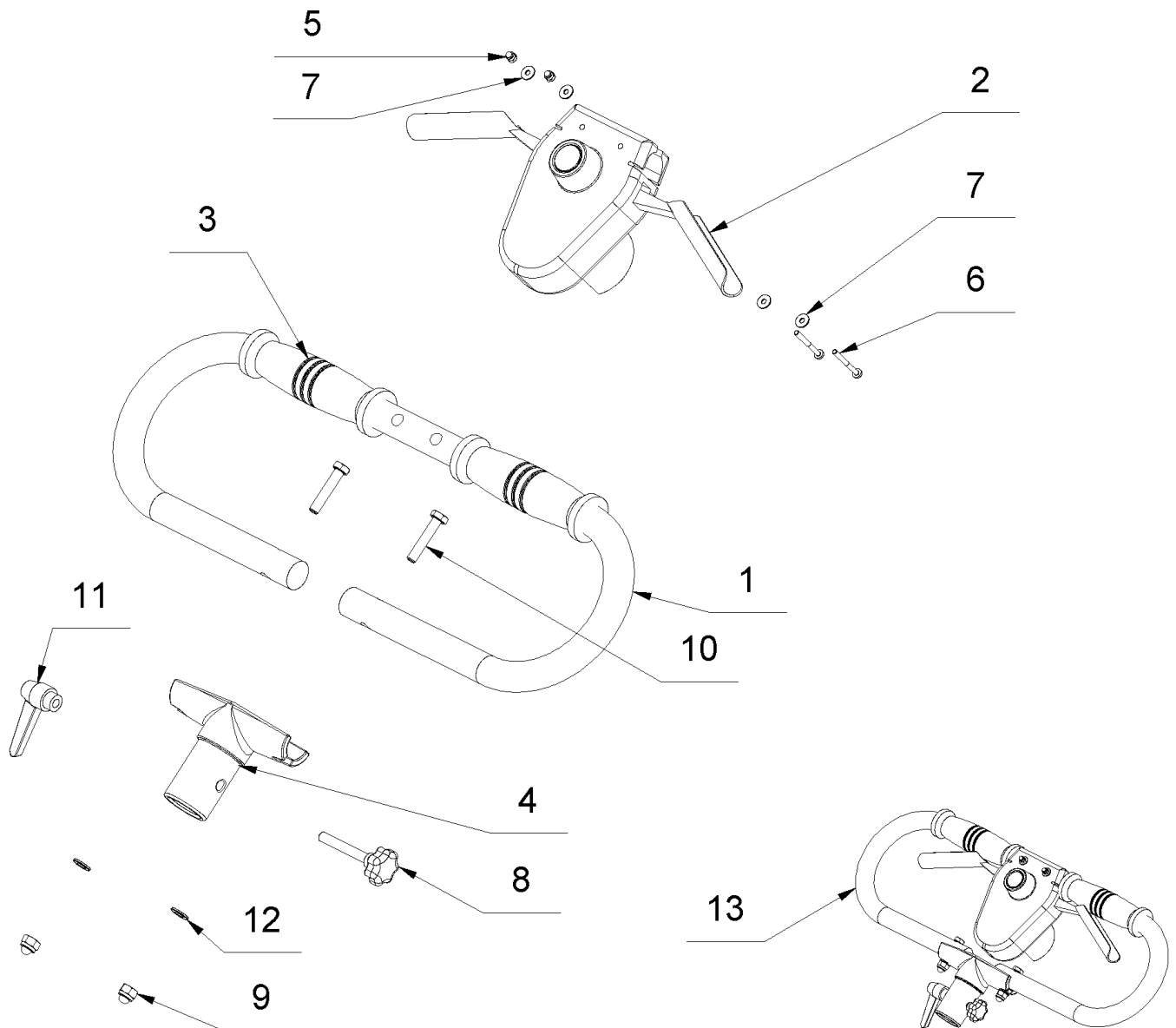
5 Handle bar



5 Handle bar

| Item no. | Article no. | Description | Quantity |
|----------|-------------|------------------------------|----------|
| 1 | 015435 | Handel bar Duro | 1 |
| 2 | 014923 | Grip cover/foam | 2 |
| 3 | 015434 | T-piece Duro | 1 |
| 4 | 014919 | Star grip bolt M8x55 | 1 |
| 5 | 014877 | Clamping lever M8 Duro | 1 |
| 6 | 014825 | Cap nut M8 DIN 986 | 2 |
| 7 | 014776 | Hexagon bolt M 8x 40 DIN 931 | 2 |
| 8 | 014828 | Washer M8 DIN 125 A | 2 |
| 9 | 015052 | Handle bar complete Duro | 1 |

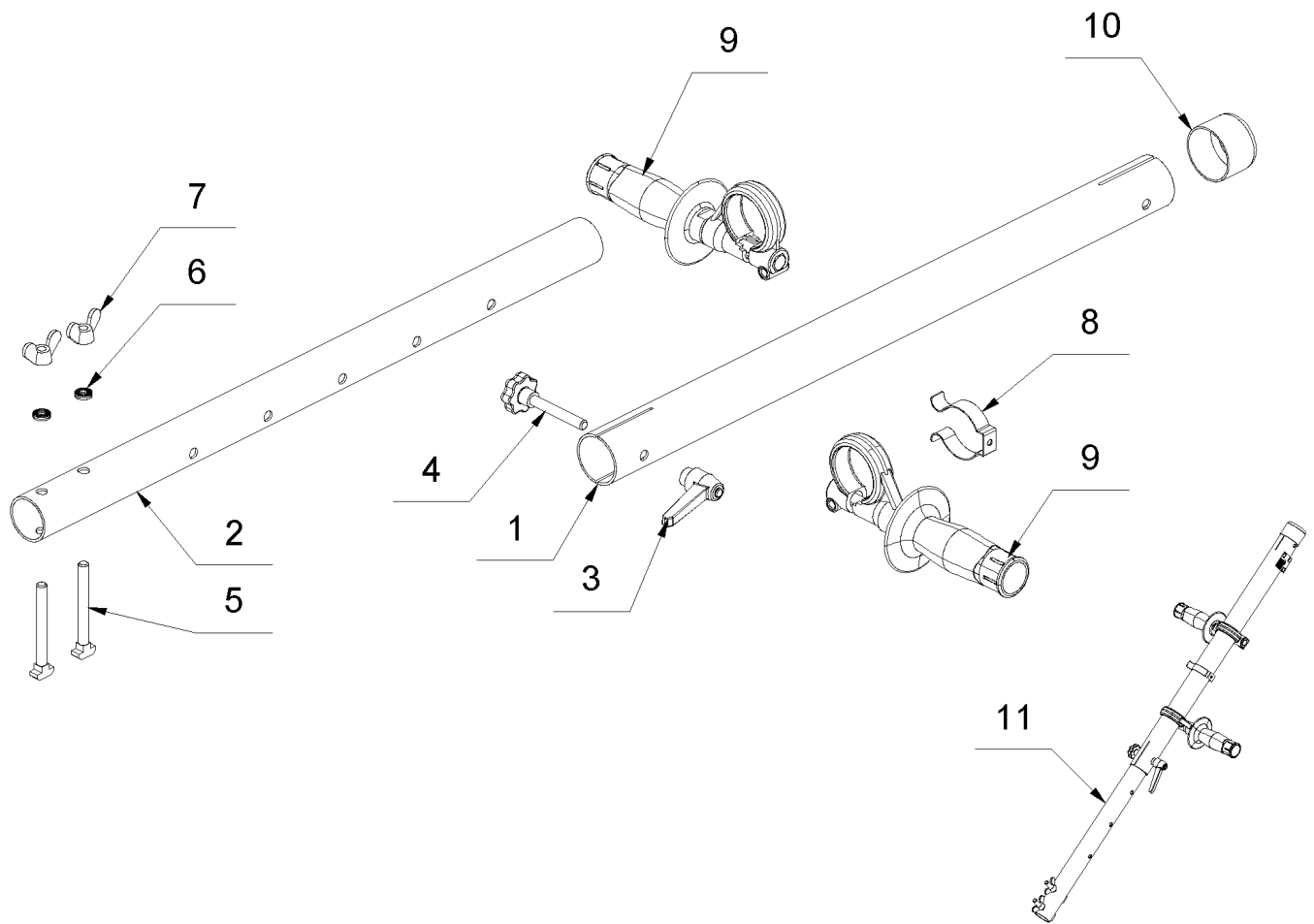
6 Tripus handle bar



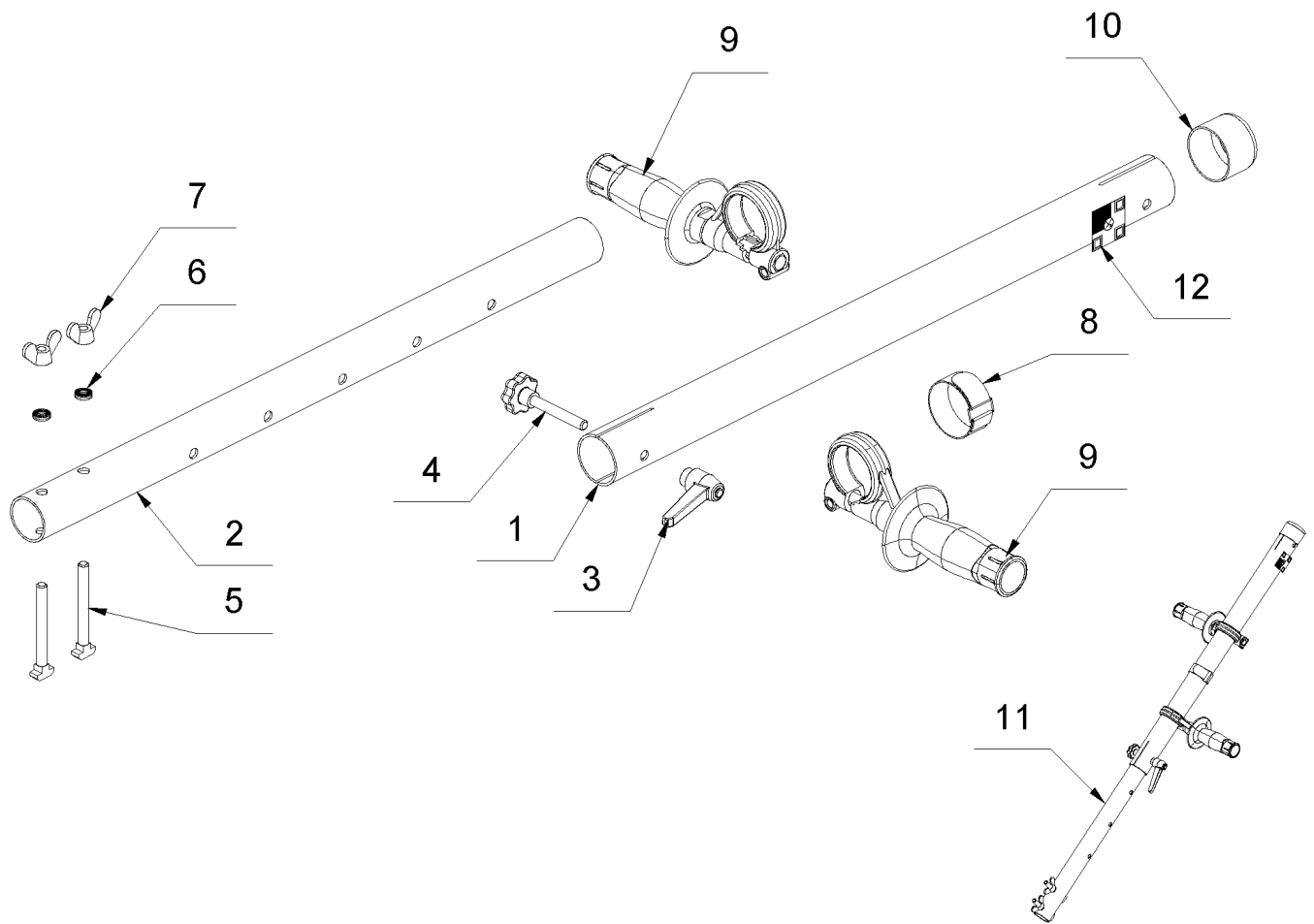
6 Tripus handle bar

| Item no. | Article no. | Description | Quantity |
|----------|-------------|------------------------------|----------|
| 1 | 017577 | Handel bar Tripus | 1 |
| 2 | 015231 | Switch TRIPUS | 1 |
| 3 | 014923 | Grip cover/foam | 2 |
| 4 | 015434 | T-piece Duro | 1 |
| 5 | 017566 | Cap nut M4 DIN 986 | 2 |
| 6 | 017733 | Lens bolt M4x45 DIN 7985 | 2 |
| 7 | 017658 | Washer M4 DIN 9021 | 4 |
| 8 | 014919 | Star grip bolt M8x55 | 1 |
| 9 | 014825 | Cap nut M8 DIN 986 | 2 |
| 10 | 014776 | Hexagon bolt M 8x 40 DIN 931 | 2 |
| 11 | 014877 | Clamping lever M8 Duro | 1 |
| 12 | 014828 | Washer M8 DIN 125 A | 2 |
| 13 | 017009 | Handel bar complete Tripus | 1 |

7 Handle tube special



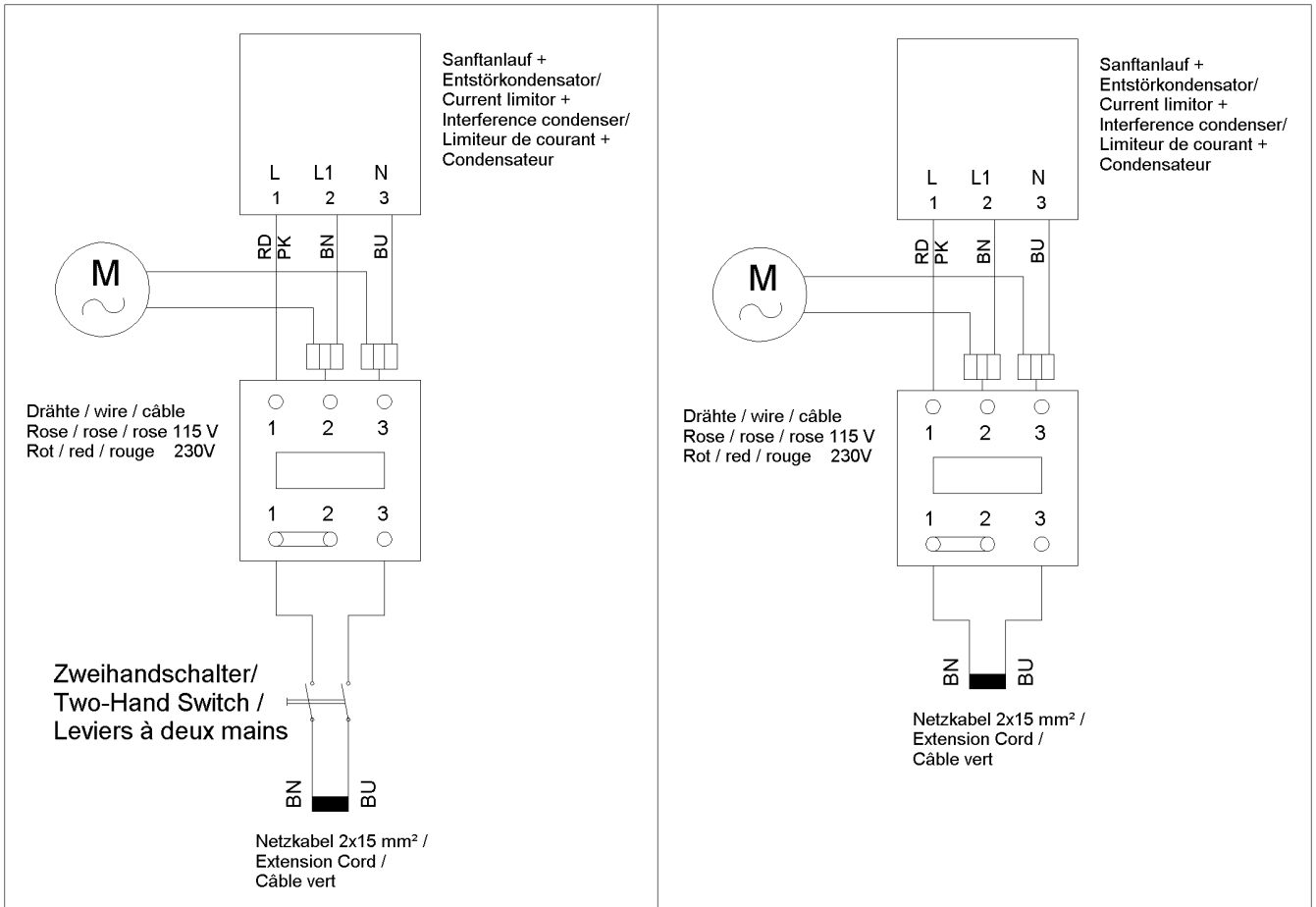
7 Handle tube special



7 Handle tube special

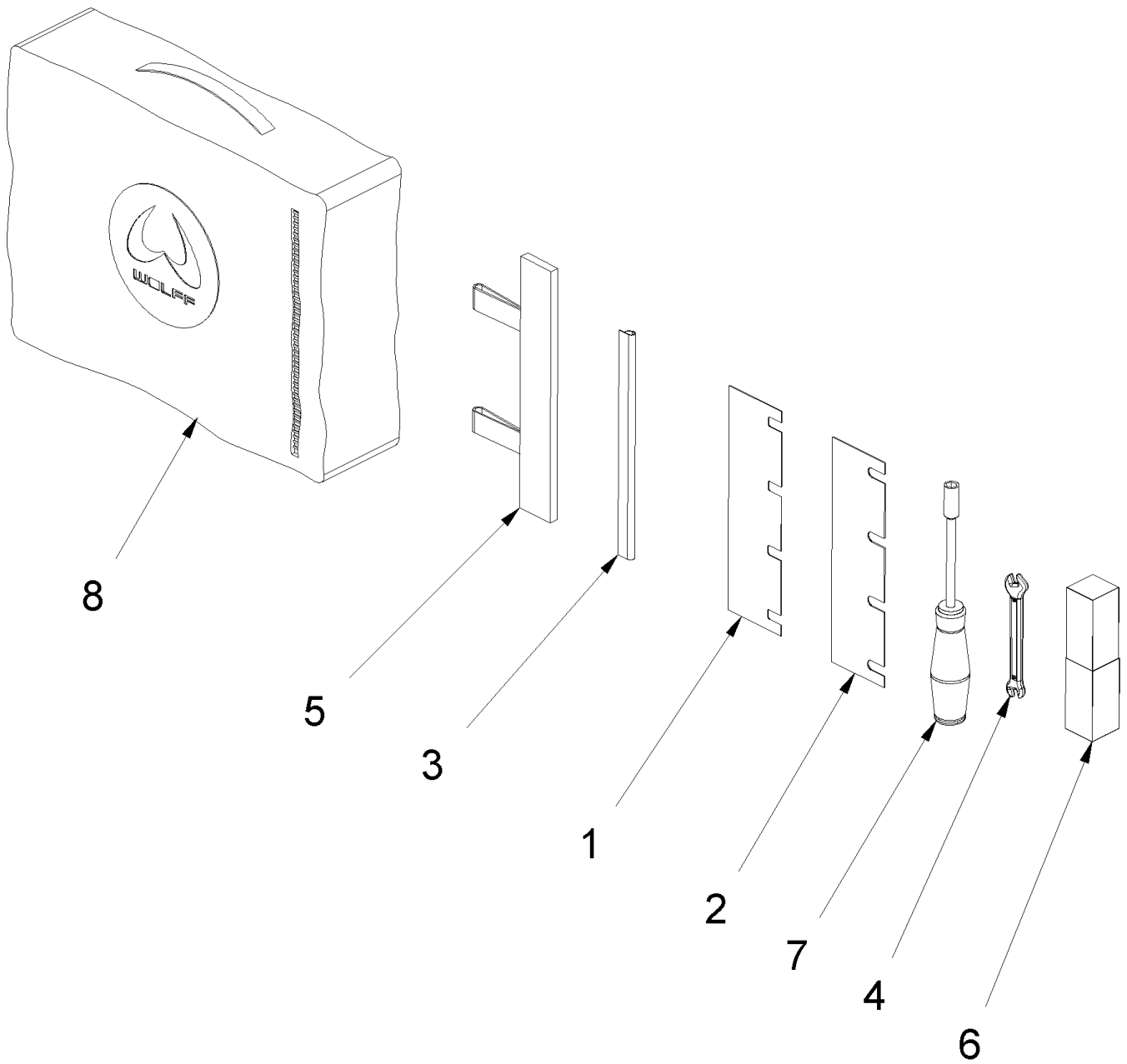
| Item no. | Article no. | Description | Quantity |
|----------|-------------|------------------------------------|----------|
| 1 | 062803 | Exterior Tube Duro Handel VG | 1 |
| 2 | 062802 | Interior Tube Duro Handel VG | 1 |
| 3 | 014877 | Clamping lever M8 Duro | 1 |
| 4 | 014919 | Star grip bolt M8x55 | 1 |
| 5 | 014768 | T-head bolt M8x70 DIN 186 A | 2 |
| 6 | 079873 | Safety washer M8 LL | 2 |
| 7 | 014824 | Wing nut M8 DIN 315 | 2 |
| 8 | 178579 | Velcro cable tie 20cm black | 1 |
| 9 | 014925 | Special handle Duro | 2 |
| 10 | 014935 | End cap outer tube | 1 |
| 11 | 084706 | Handel Duro-Stripper with VG cplt. | 1 |

8 Circuit diagram



8 Circuit diagram

9 Tool kit



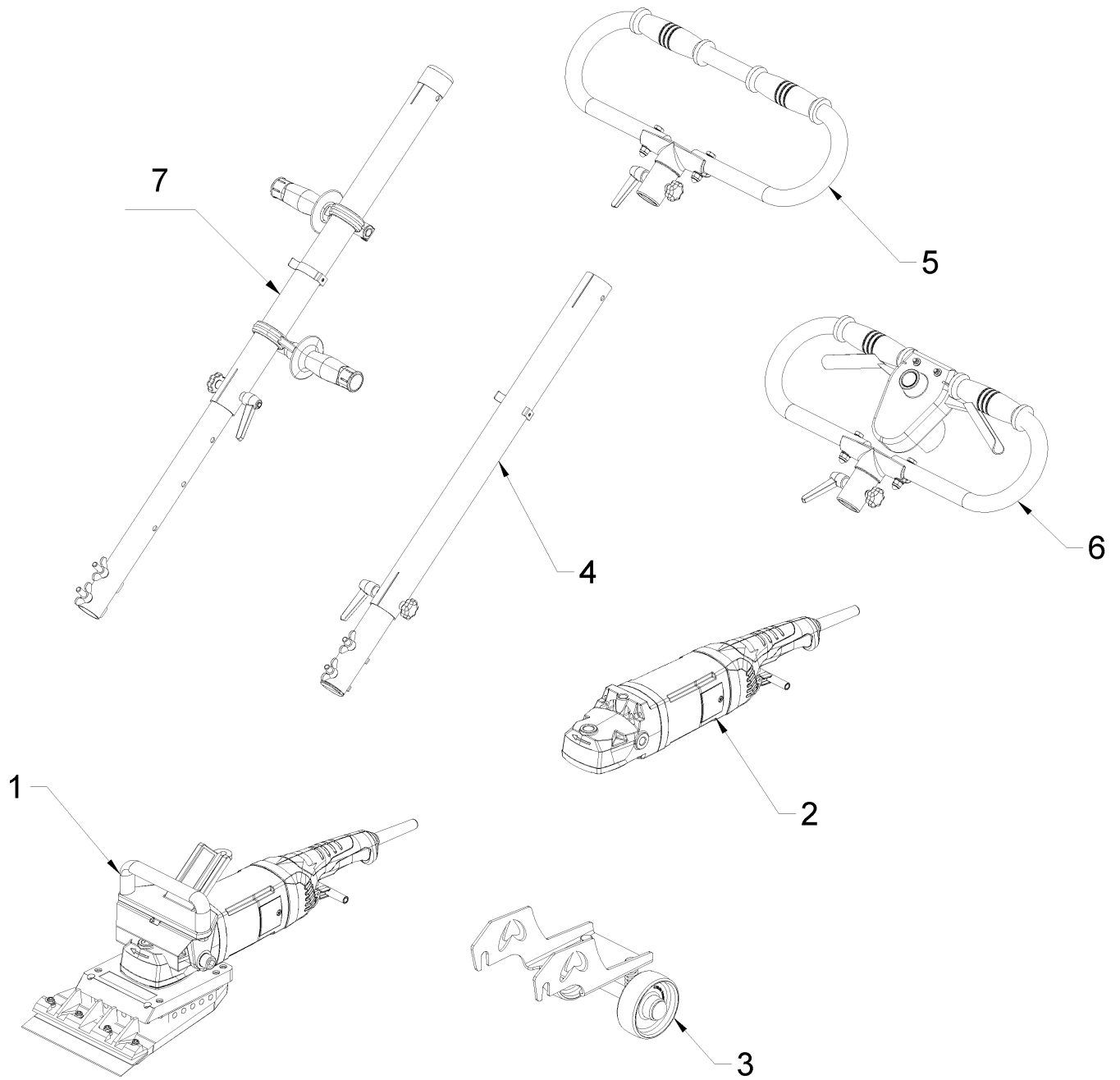
9 Tool kit

| Item no. | Article no. | Description | Quantity |
|----------|-------------|--|----------|
| 1 | 013344 | Spare blades, 210 x 60 x 0,7 mm Duro/Var | 1 |
| 2 | 013345 | Spare blades, 210 x 60 x 1 mm Duro/Vario | 1 |
| 3 | 015229 | Blade protection 210mm | 1 |
| 4 | 017612 | Double fork wrench sw10/13 mm | 1 |
| 5 | 033203 | Blade protection Duro/Vario/Eco/Primo | 1 |
| 6 | 014962 | Plastic box 30x65 SM1200/SM800/Duro/LS | 1 |
| 7 | 017598 | Special key SW10 Wolff | 1 |
| 8 | 054064 | Tool bag green - Wolff | 1 |

10 Accesories

| Article no. | Description |
|-------------|--|
| 013344 | Spare blades, 210 x 60 x 0,7 mm Duro/Var |
| 013346 | Spare blades, 210 x 60 x 1,5 mm Duro/Var |
| 013349 | Carrying case Duro-Stripper |
| 084706 | Handel Duro-Stripper with VG cplt. |
| 013342 | Carpet clamp Premium |
| 065500 | Profi hand sraper Wolff |
| 013345 | Spare blades, 210 x 60 x 1 mm Duro/Vario |
| 048402 | Serrated blade, 210 x 60 x 1mm |
| 016151 | Wheel set Duro Stripper |
| 062700 | Ergo Cutter |
| 051505 | Hand scraper WOLFF |
| 013934 | Floor scraper SEE 34543 |
| 085652 | Duro-Stripper 2.0 230V/50Hz VG |
| 015315 | Hearing protectors |
| 015809 | Safety gloves 1 pair |

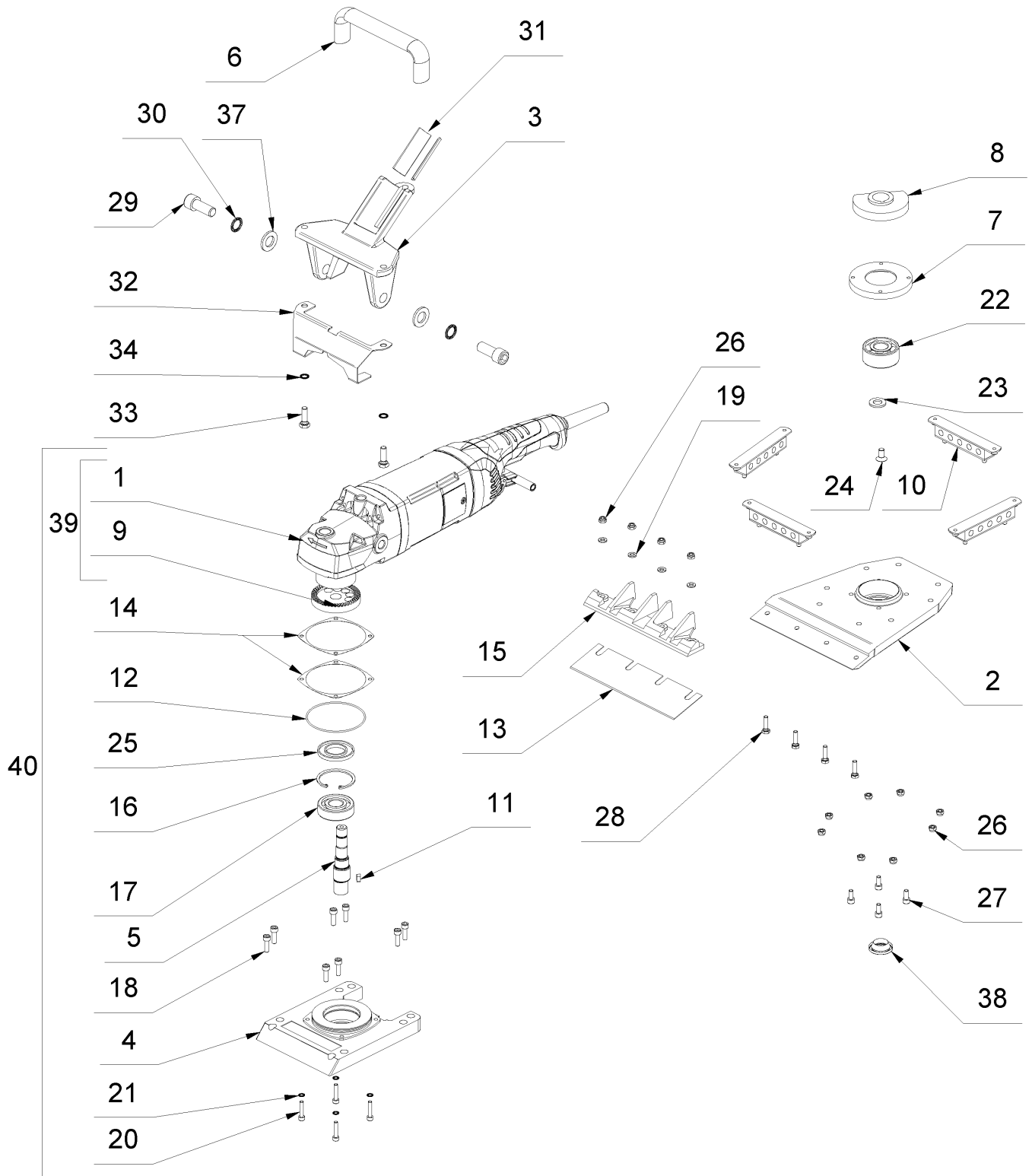
2 Duro Stripper 2.1 (12/2021 - up to now)



2 Duro Stripper 2.1 (12/2021 - up to now)

| Item no. | Article no. | Description |
|----------|--------------|---------------------|
| 1 | 02_01_084888 | Basic machine |
| 2 | 02_02_168636 | Motor |
| 3 | 01_03_085357 | Carriage |
| 4 | 01_04_085139 | Handle tube |
| 5 | 03_05_015052 | Handle bar |
| 6 | 05_06_017009 | Tripus handle bar |
| 7 | 07_07_084706 | Handle tube special |
| 8 | 01_08_084888 | Circuit diagram |
| 9 | 01_09_015024 | Tool kit |
| 10 | 01_10_013347 | Accesories |

1 Basic machine



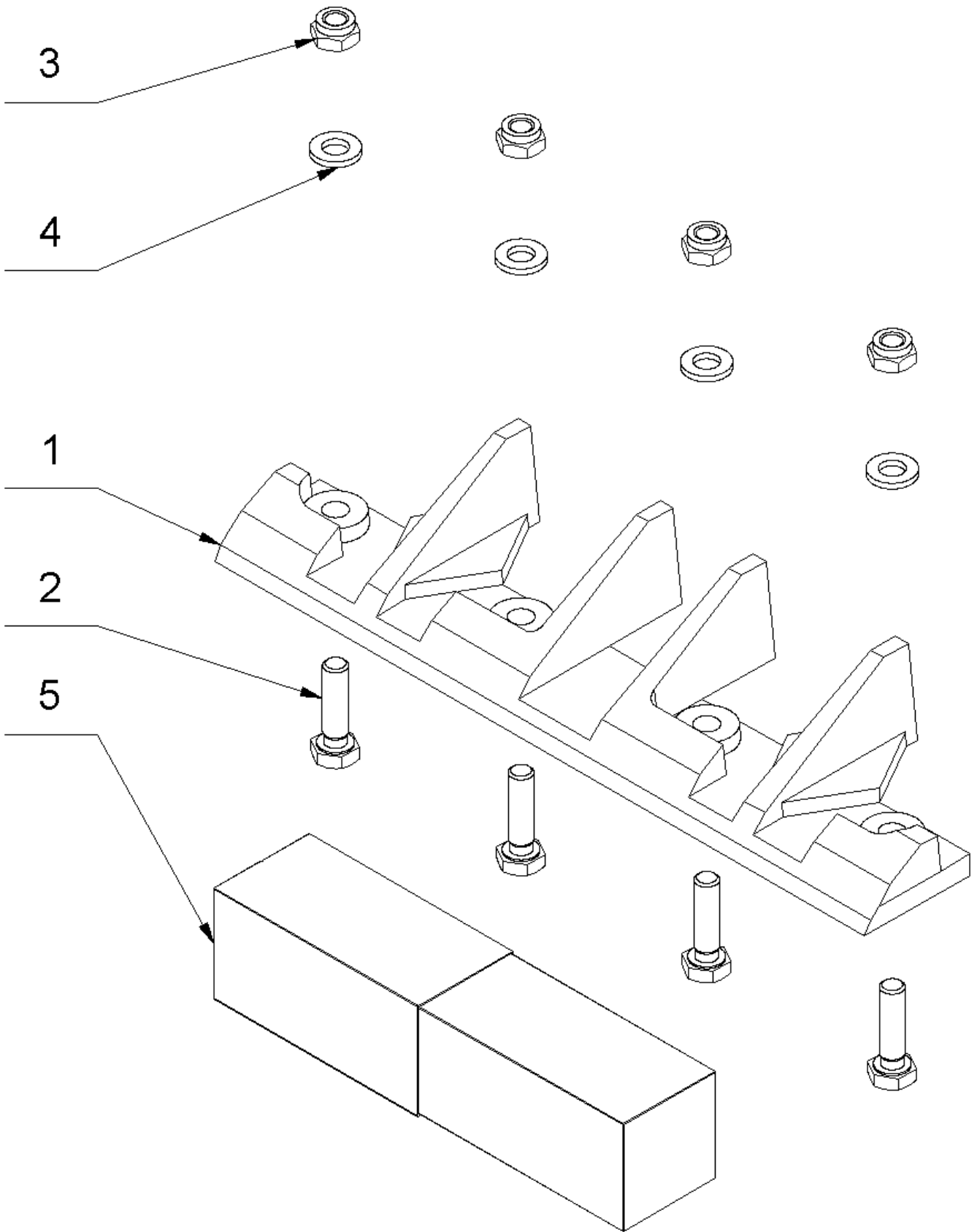
1 Basic machine

| Item no. | Article no. | Description | Quantity |
|----------|-------------|--|----------|
| 1 | 168636 | Motor Duro 2.1 230V/50-60Hz green 2021 | 1 |
| 1 | 168639 | Motor Duro 2.1 230V/50-60Hz black 2021 | 1 |
| 1 | 168638 | Motor Duro 2.1 230V/50-60Hz ORANGE 2021 | 1 |
| 2 | 015221 | Striking foot DURO/ECO/Primo | 1 |
| 3 | 015227 | Grip Frame DURO | 1 |
| 4 | 015224 | Bearing plate DURO | 1 |
| 4 | 017846 | Bearing plate Duro orange RAL 2004 | 1 |
| 4 | 021585 | Bearing plate Duro yellow RAL 1028 | 1 |
| 4 | 017844 | Bearing plate Duro red RAL 3000 | 1 |
| 4 | 084435 | Bearing plate Red RAL 3020 NL | 1 |
| 5 | 076699 | Excenter shaft DURO from 2014 | 1 |
| 6 | 087346 | Grip 160mm Duro 2.0 | 1 |
| 7 | 015233 | Flange DURO | 1 |
| 8 | 015225 | Balance Disc DURO | 1 |
| 9 | 164197 | Pinion + bevel gear Duro 2.0 - 2021 | 1 |
| 10 | 014931 | Rubber Bearing Duro/Eco/Primo-Stripper | 4 |
| 11 | 054035 | Nut key 5x5x12 DIN 6885 | 1 |
| 12 | 015218 | Sealing ring Motor Duro 2.0 | 1 |
| 13 | 013345 | Spare blades, 210 x 60 x 1 mm Duro/Vario | 1 |
| 14 | 016944 | Distance ring 0,3 mm Motor Duro 2.0 | 2 |
| 15 | 036009 | Blade holder set ECO | 1 |
| 16 | 014857 | Safety washer I52 DIN 472 | 1 |
| 17 | 014711 | Ball bearing 6304 | 1 |
| 18 | 014752 | Cylinder head screw M6x20DIN 912 microve | 8 |
| 19 | 014827 | Washer M6 DIN 125 A | 4 |
| 20 | 014750 | Cylinder head bolt M5x25 DIN 912 microv | 8 |
| 21 | 014858 | Schnorr washer M5 | 4 |
| 22 | 014674 | Ball bearing 3304 2RSC3 | 1 |
| 23 | 014830 | Washer M12 DIN 125 A | 1 |
| 24 | 014764 | Countersunk screw M8x16 DIN7991 micro | 1 |
| 25 | 085849 | Shaft seal WAS 28x52x5 NBR | 1 |
| 26 | 014815 | Hexagon nut M6 DIN985 | 12 |
| 27 | 014751 | Cylinder head screw M6x14 DIN 912 mikrov | 4 |
| 28 | 014772 | Hexagon head bolt M 6x22 DIN 933 | 4 |

1 Basic machine

| Item no. | Article no. | Description | Quantity |
|----------|-------------|--|----------|
| 29 | 016139 | Cylinder head bolt M14x35 DIN 912 | 2 |
| 30 | 014863 | Schnorr Washer M14 | 2 |
| 31 | 014932 | Rubber sleeve | 1 |
| 32 | 015433 | Baffle Duro-Stripper | 1 |
| 33 | 014775 | Hexagon bolt M 8x25 DIN 933 | 2 |
| 34 | 014860 | Schnorr Washer M8 | 2 |
| 37 | 017741 | Washer M14 DIN 125 | 2 |
| 38 | 049282 | Stopper Ø25,0 black | 1 |
| 39 | 085880 | BG-Motor Duro2.1 230V green w.Bev.gear | 1 |
| 39 | 085883 | BG-Motor Duro2.1 230V black w.Bev.gear | 1 |
| 40 | 085871 | BG-Motor Duro2.1 230V green w. B.Plate | 1 |
| 40 | 085884 | BG-Motor Duro2.1 230V blackw.B.Plate yel | 1 |
| 40 | 085876 | BG-Motor Duro2.1 230V blackw.B.Plate gre | 1 |
| 40 | 085875 | BG-Motor Duro2.1 230V blackw.B.Plate red | 1 |

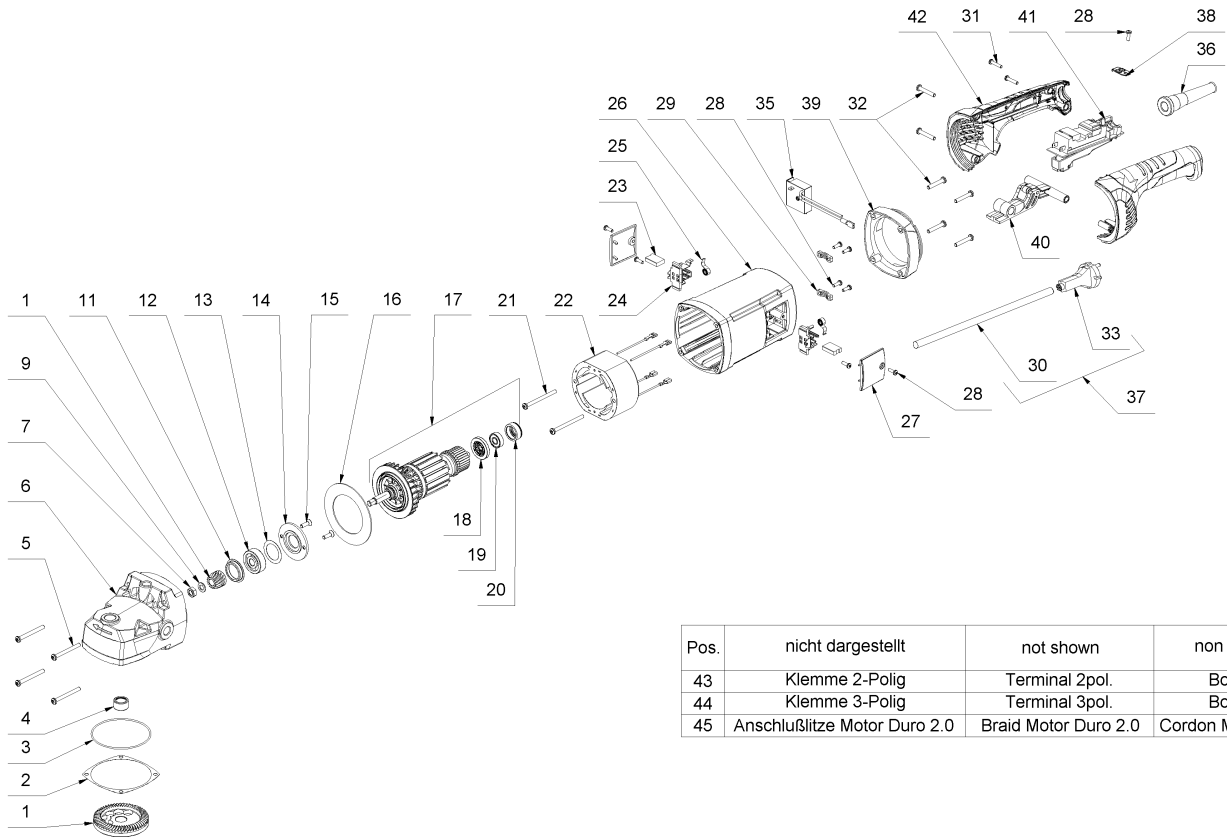
15 Blade holder set ECO



15 Blade holder set ECO

| Item no. | Article no. | Description | Quantity |
|----------|-------------|--|----------|
| 1 | 015223 | Deflector new Duro/Vario/Eco/Primo | 1 |
| 2 | 014772 | Hexagon head bolt M 6x22 DIN 933 | 4 |
| 3 | 014815 | Hexagon nut M6 DIN985 | 4 |
| 4 | 014827 | Washer M6 DIN 125 A | 4 |
| 5 | 014962 | Plastic box 30x65 SM1200/SM800/Duro/LS | 1 |

2 Motor



| Pos. | nicht dargestellt | not shown | non représenté |
|------|------------------------------|----------------------|------------------------|
| 43 | Klemme 2-Polig | Terminal 2pol. | Borne 2pol. |
| 44 | Klemme 3-Polig | Terminal 3pol. | Borne 3pol. |
| 45 | Anschlußlitze Motor Duro 2.0 | Braid Motor Duro 2.0 | Cordon Moteur Duro 2.0 |

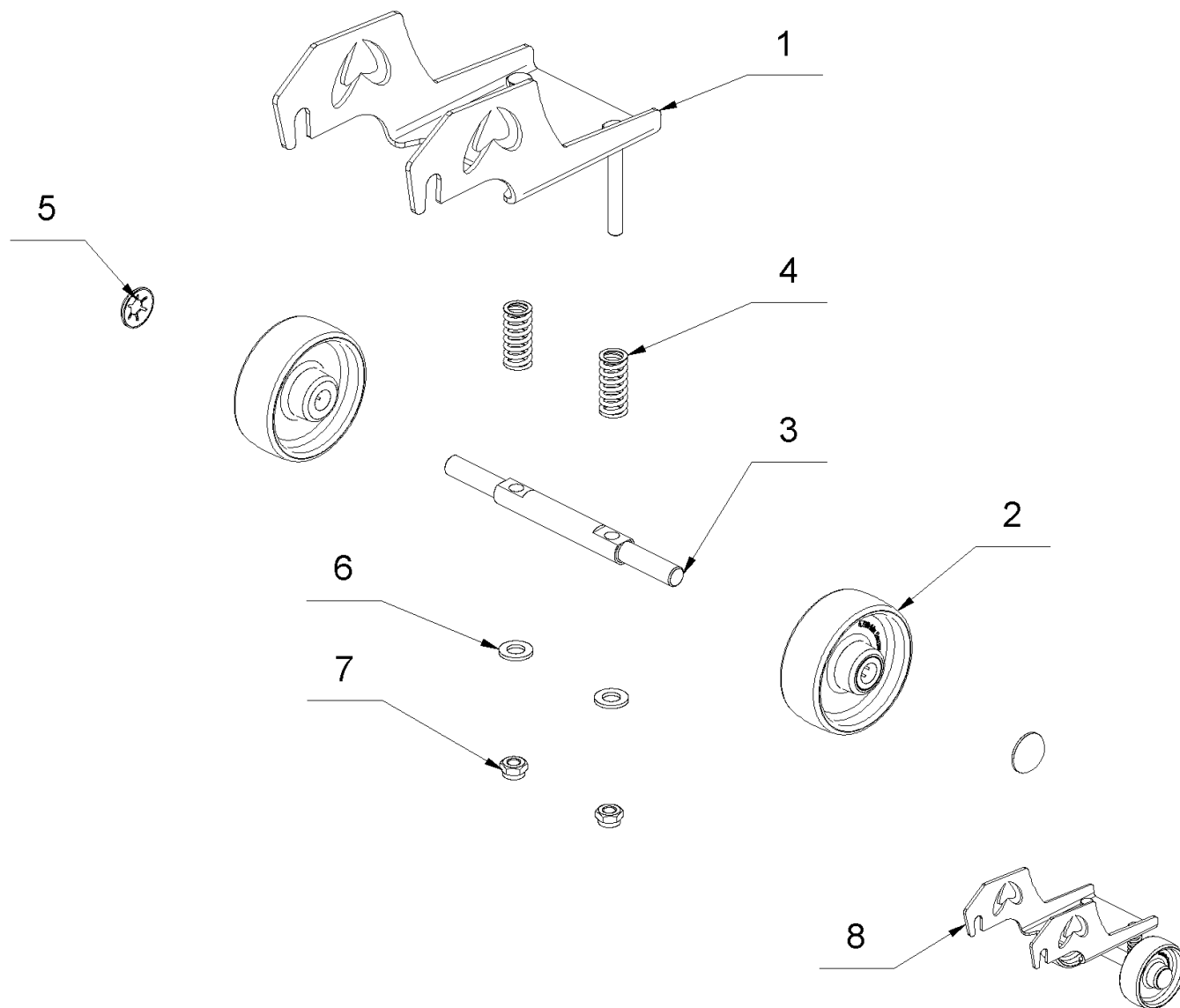
2 Motor

| Item no. | Article no. | Description | Quantity |
|----------|-------------|--|----------|
| 1 | 164197 | Pinion + bevel gear Duro 2.0 - 2021 | 1 |
| 2 | 016944 | Distance ring 0,3 mm Motor Duro 2.0 | 1 |
| 3 | 015218 | Sealing ring Motor Duro 2.0 | 1 |
| 4 | 015190 | Needle bearing HK 1512 Motor Duro 2.0 | 1 |
| 5 | 084981 | Countersunk Bolt M 5x50 (Torx) Duro 2.0 | 4 |
| 6 | 015189 | Gear Block Housing Motor Duro | 1 |
| 7 | 084982 | Hexagon nut Motor Duro 2.0 | 1 |
| 9 | 018074 | Shim ring 8x14x0.5 DIN 988 | 1 |
| 11 | 015194 | Sealing ring Flex BS180/Duro | 1 |
| 12 | 084985 | Ball bearing 6300-2RSH Duro 2.0 | 1 |
| 13 | 084986 | Shim ring 25x35x0,3 DIN 988 | 1 |
| 14 | 084987 | Cover Motor Duro 2.0 | 1 |
| 15 | 016312 | Countersunk bolt M5x16 DIN 7991 10.9 | 2 |
| 16 | 015200 | Air guide Flex BS180/Duro | 1 |
| 17 | 084988 | Armature 230V Motor Duro 2.0 | 1 |
| 18 | 084990 | Cover Motor Duro 2.0 | 1 |
| 19 | 084991 | Ball bearing 608-2RSL/C3 Duro 2.0 | 1 |
| 20 | 084992 | Bearing sleeve Motor Duro 2.0 | 1 |
| 21 | 084993 | Countersunk Bolt M 5x60 (Torx) Duro 2.0 | 2 |
| 22 | 084994 | Magnetic field coils Motor Duro 2.0 | 1 |
| 23 | 084996 | Carbon brush 230V Motor Duro 2.0 | 2 |
| 24 | 084998 | Carbon brush holder Motor Duro 2.0 | 2 |
| 25 | 084999 | Pressure spring Motor Duro 2.0 | 2 |
| 26 | 085092 | Motor housing Motor Duro 2.0 green | 1 |
| 26 | 088528 | Motor housing Motor Duro 2.0 black | 1 |
| 27 | 085093 | Carbon brush cap Motor Duro 2.0 green | 2 |
| 27 | 088529 | Carbon brush cap Motor Duro 2.0 black | 2 |
| 28 | 018039 | Screw KT4x12 Motor Duro 2.0 | 9 |
| 29 | 085094 | Cable clamb Motor Duro 2.0 | 2 |
| 30 | 042160 | Cable 2x2,5 ² x4m black SEE 15215 | 1 |
| 31 | 079908 | Screw KT Gecko Flex | 2 |
| 32 | 015213 | Cylinder head screw Duro 5x30 | 6 |
| 33 | 039203 | Plug grey | 1 |
| 33 | 019165 | Plug 230V 3-polig Switzerland | 1 |

2 Motor

| Item no. | Article no. | Description | Quantity |
|----------|-------------|---|----------|
| 35 | 170648 | Starting current limiter 230V Duro 2.1 | 1 |
| 36 | 169802 | Cable Sleeve Duro 2.1 | 1 |
| 37 | 015215 | Cable 2x1 ² x4m black w.plug | 1 |
| 37 | 083110 | El.cord 2x1 ² x4m 230V w.plug CH | 1 |
| 37 | 086147 | Cord Duro 2.0 2x1,0 ² x4,1m AUS | 1 |
| 38 | 171354 | Cable clamp Duro 2.1 | 1 |
| 39 | 169434 | Flange Duro 2.1 | 1 |
| 40 | 169592 | Foot switch Duro 2.1 | 1 |
| 41 | 169436 | Electronic switch set Motor Duro 2.1 | 1 |
| 42 | 169433 | Handle engine Duro 2.1 | 1 |
| 43 | 050146 | Connecting terminal 2-fold | 1 |
| 44 | 050145 | Connection terminal 3-fold | 1 |
| 45 | 085098 | Braid Motor Duro 2.0 | 1 |

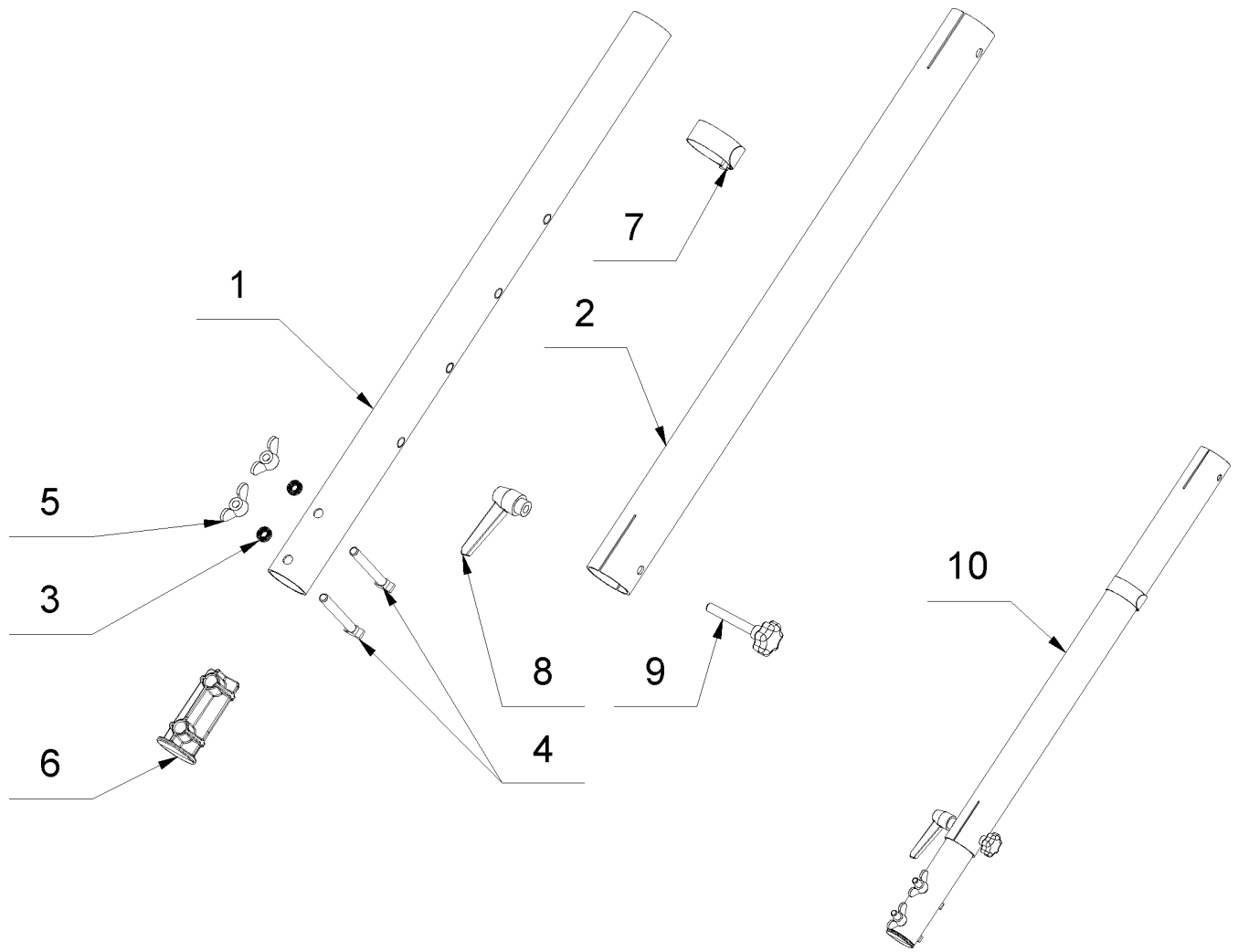
3 Carriage



3 Carriage

| Item no. | Article no. | Description | Quantity |
|----------|-------------|---|----------|
| 1 | 085356 | SG-Chassis Duro 2.0 RAL 9006 silver | 1 |
| 1 | 085956 | SG-Chassis Duro 2.0 RAL 1028 yellow | 1 |
| 1 | 085957 | SG-Chassis Duro 2.0 RAL 3020 Red | 1 |
| 1 | 085958 | SG-Chassis Duro 2.0 RAL 3000 firered | 1 |
| 2 | 014953 | Transport wheel with needle-bearing | 2 |
| 3 | 017212 | Axel chassis Duro | 1 |
| 4 | 014896 | Pressure spring 17,50x45x3 | 2 |
| 5 | 014881 | Starlock Ø15 with cap | 2 |
| 6 | 014829 | Washer M10 DIN 125 A | 2 |
| 7 | 014817 | Hexagon nut M10 DIN 985 | 2 |
| 8 | 085357 | Carriage complete silver Duro 2.0 | 1 |
| 8 | 086002 | Chassis cpl. RAL 3000 fire red Duro 2.0 | 1 |
| 8 | 086003 | Carriage complete yellow Duro 2.0 | 1 |

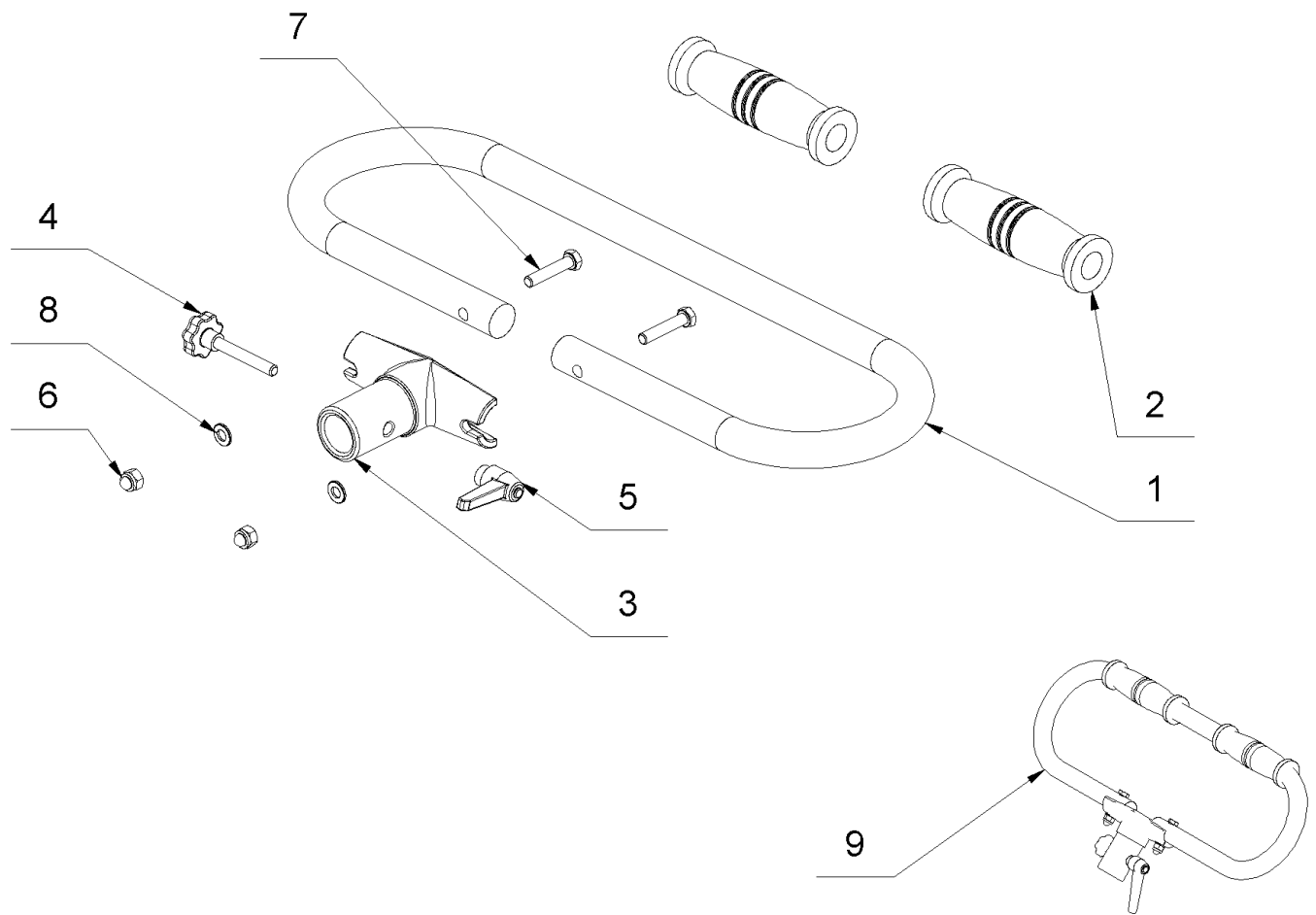
4 Handle tube



4 Handle tube

| Item no. | Article no. | Description | Quantity |
|----------|-------------|--------------------------------|----------|
| 1 | 085135 | Inner tube Duro 2.0 | 1 |
| 2 | 085136 | Outside tube Duro 2.0 | 1 |
| 3 | 014828 | Washer M8 DIN 125 A | 2 |
| 4 | 014768 | T-head bolt M8x70 DIN 186 A | 2 |
| 5 | 014824 | Wing nut M8 DIN 315 | 2 |
| 6 | 074423 | Stopper innertube Duro/EcoStr. | 1 |
| 7 | 178579 | Velcro cable tie 20cm black | 1 |
| 8 | 014877 | Clamping lever M8 Duro | 1 |
| 9 | 014919 | Star grip bolt M8x55 | 1 |
| 10 | 085139 | Handle Tube cpl. Duro 2.0 | 1 |

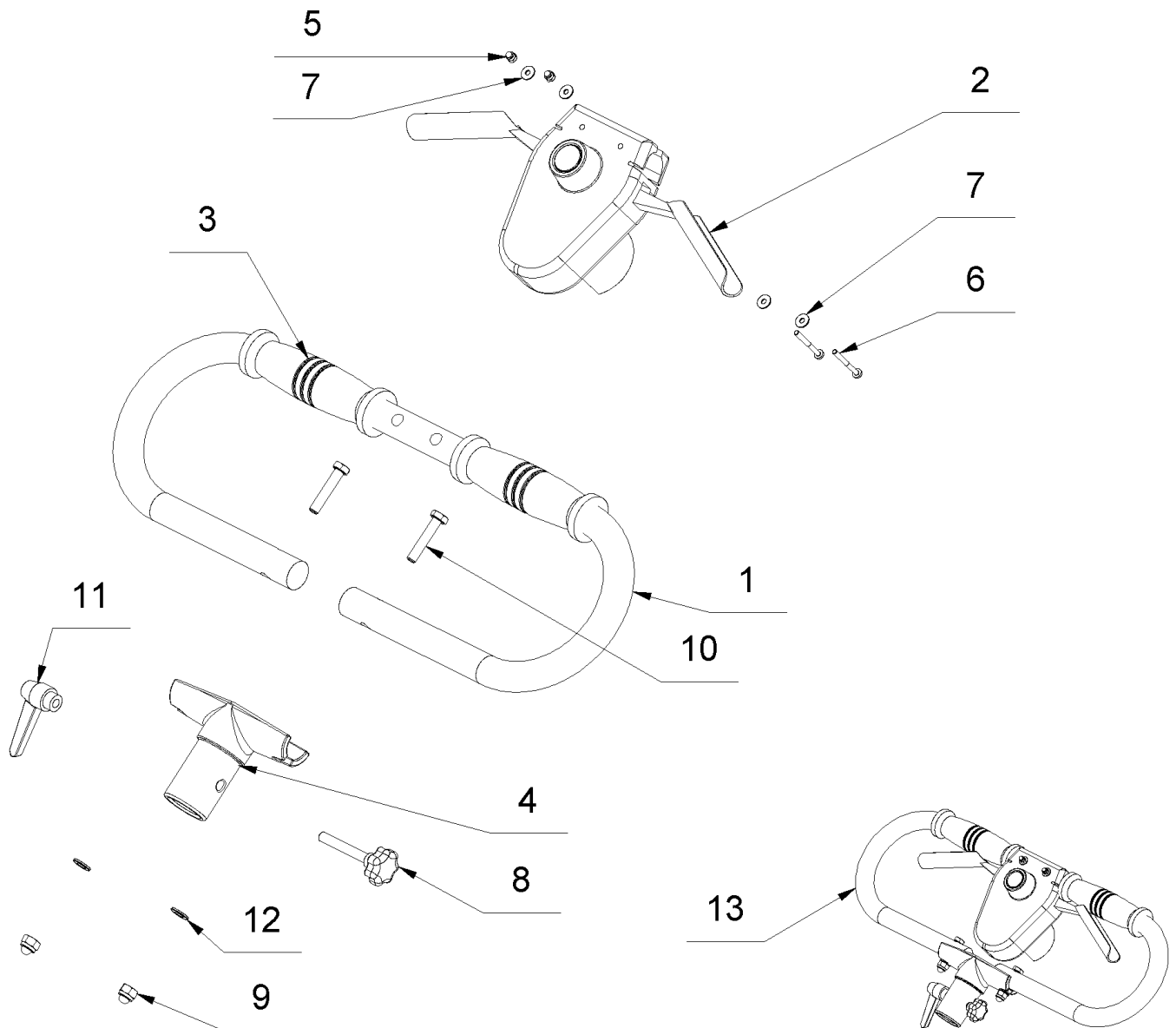
5 Handle bar



5 Handle bar

| Item no. | Article no. | Description | Quantity |
|----------|-------------|------------------------------|----------|
| 1 | 015435 | Handel bar Duro | 1 |
| 2 | 014923 | Grip cover/foam | 2 |
| 3 | 015434 | T-piece Duro | 1 |
| 4 | 014919 | Star grip bolt M8x55 | 1 |
| 5 | 014877 | Clamping lever M8 Duro | 1 |
| 6 | 014825 | Cap nut M8 DIN 986 | 2 |
| 7 | 014776 | Hexagon bolt M 8x 40 DIN 931 | 2 |
| 8 | 014828 | Washer M8 DIN 125 A | 2 |
| 9 | 015052 | Handle bar complete Duro | 1 |

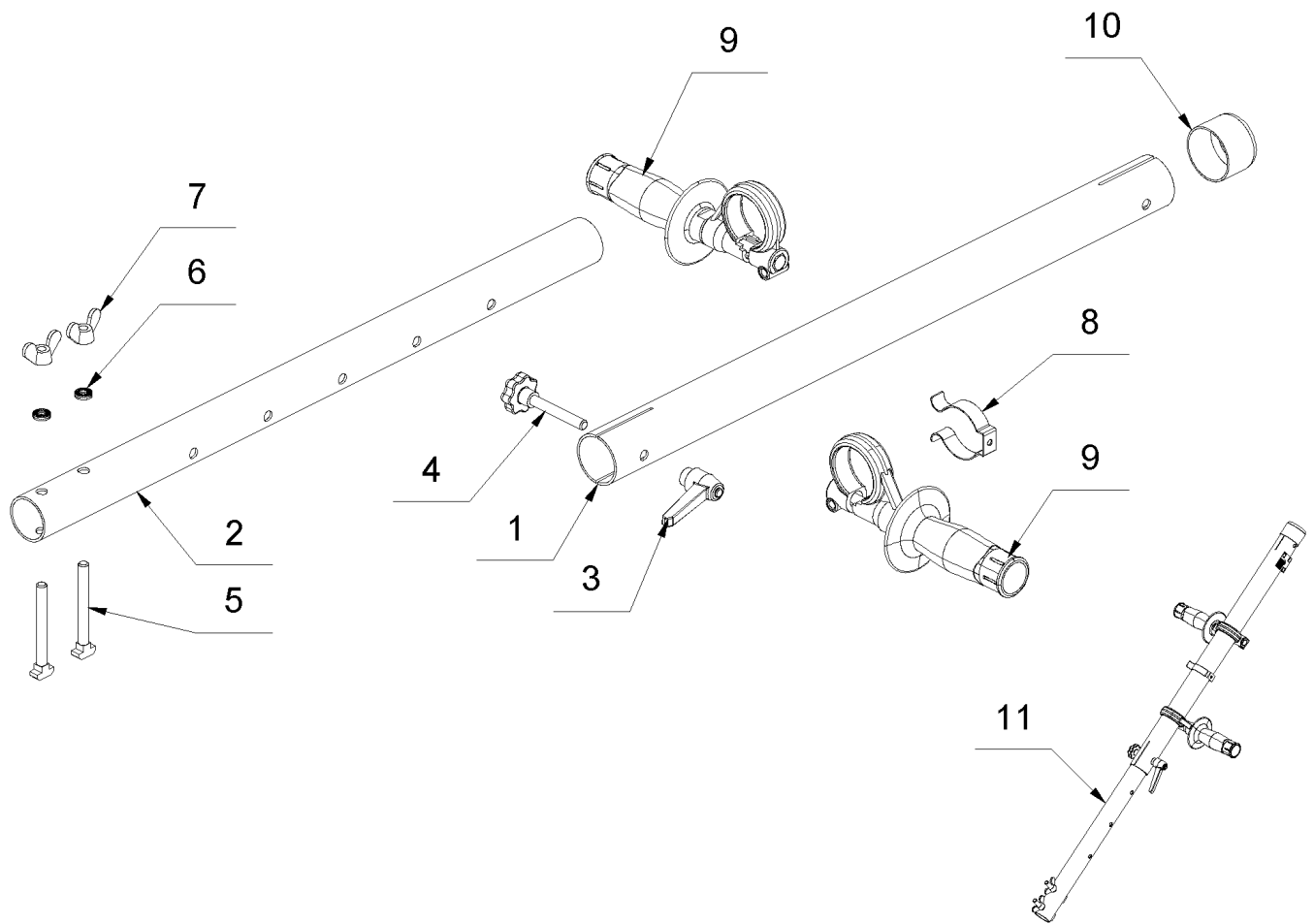
6 Tripus handle bar



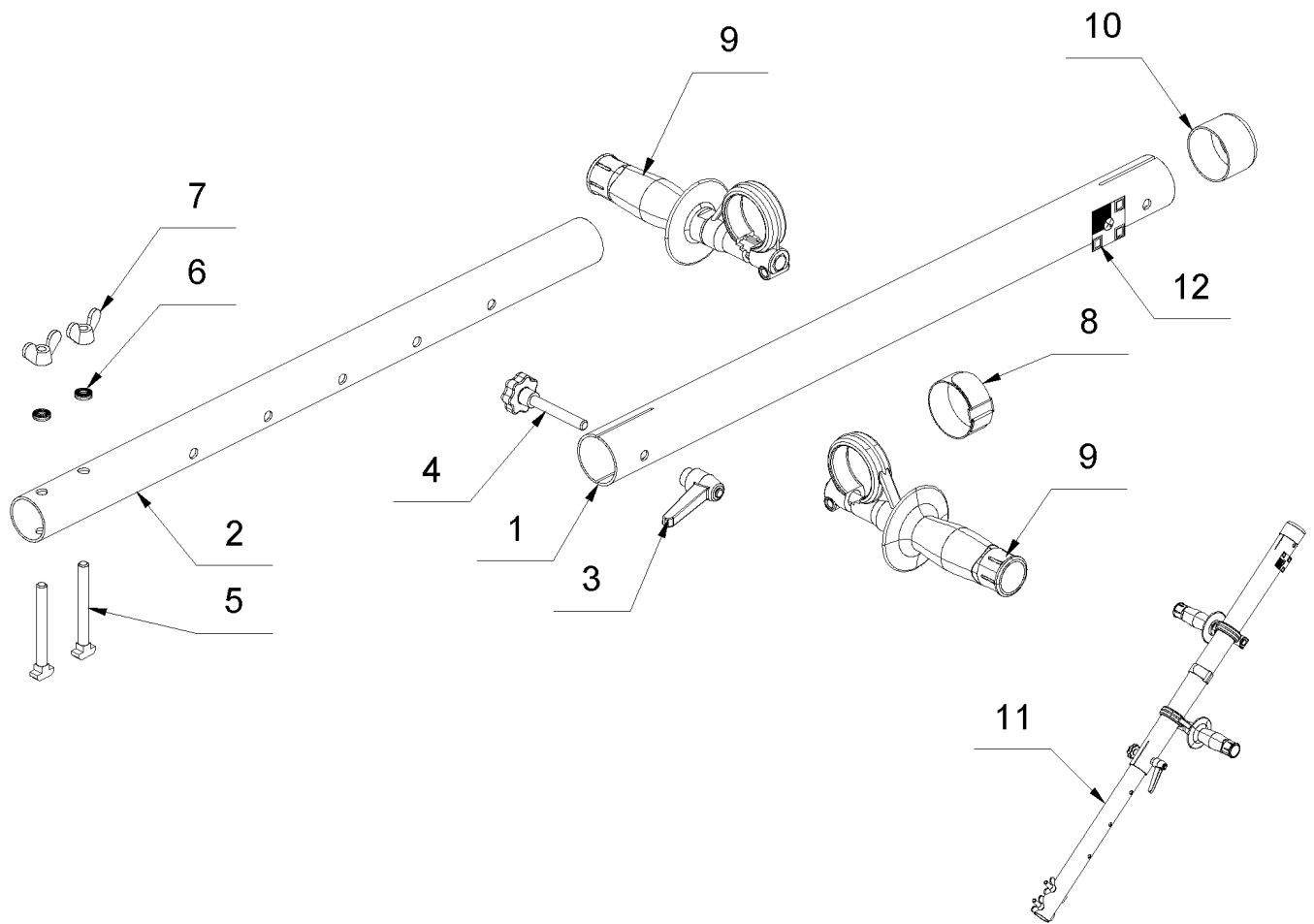
6 Tripus handle bar

| Item no. | Article no. | Description | Quantity |
|----------|-------------|------------------------------|----------|
| 1 | 017577 | Handel bar Tripus | 1 |
| 2 | 015231 | Switch TRIPUS | 1 |
| 3 | 014923 | Grip cover/foam | 2 |
| 4 | 015434 | T-piece Duro | 1 |
| 5 | 017566 | Cap nut M4 DIN 986 | 2 |
| 6 | 017733 | Lens bolt M4x45 DIN 7985 | 2 |
| 7 | 017658 | Washer M4 DIN 9021 | 4 |
| 8 | 014919 | Star grip bolt M8x55 | 1 |
| 9 | 014825 | Cap nut M8 DIN 986 | 2 |
| 10 | 014776 | Hexagon bolt M 8x 40 DIN 931 | 2 |
| 11 | 014877 | Clamping lever M8 Duro | 1 |
| 12 | 014828 | Washer M8 DIN 125 A | 2 |
| 13 | 017009 | Handel bar complete Tripus | 1 |

7 Handle tube special



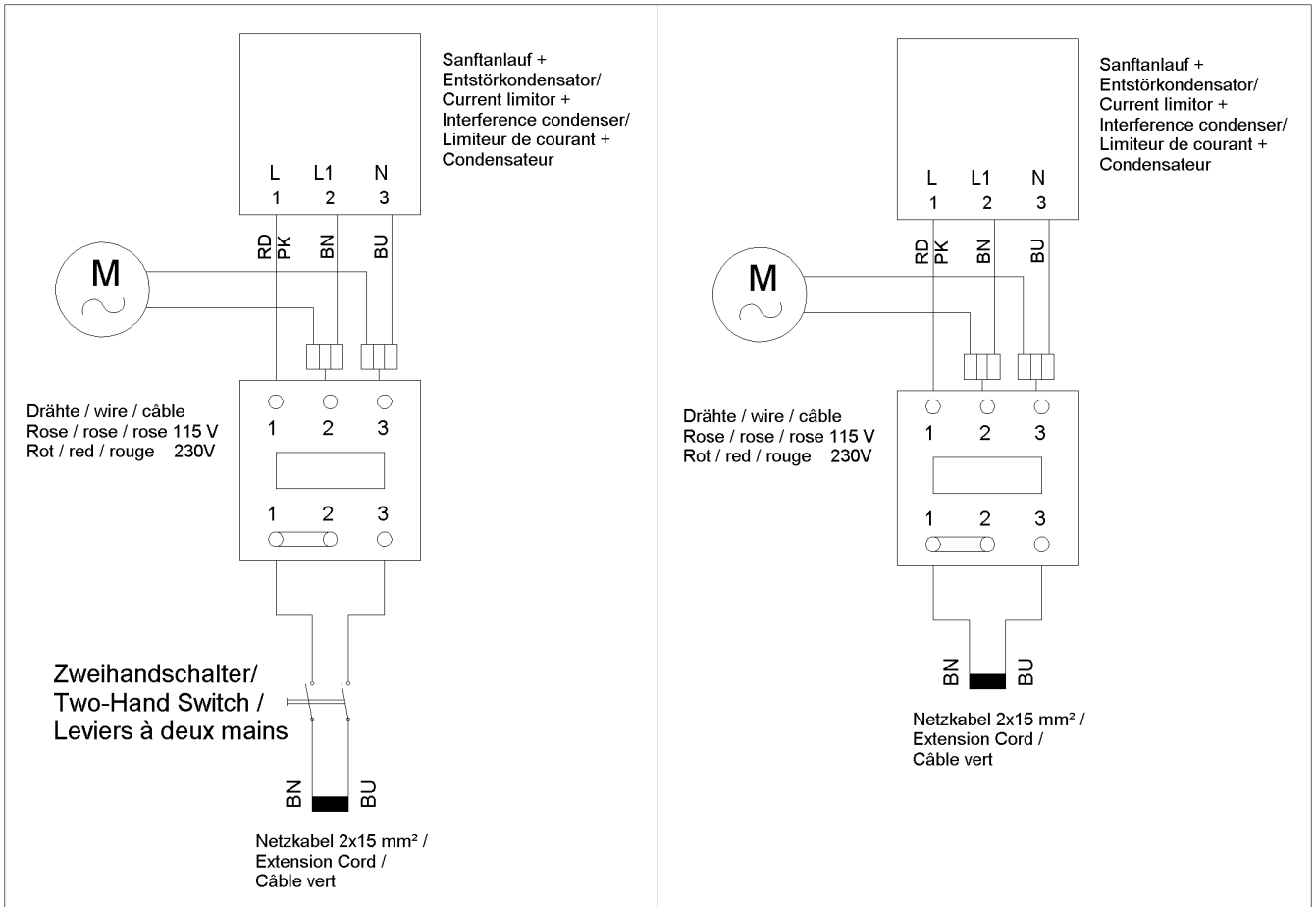
7 Handle tube special



7 Handle tube special

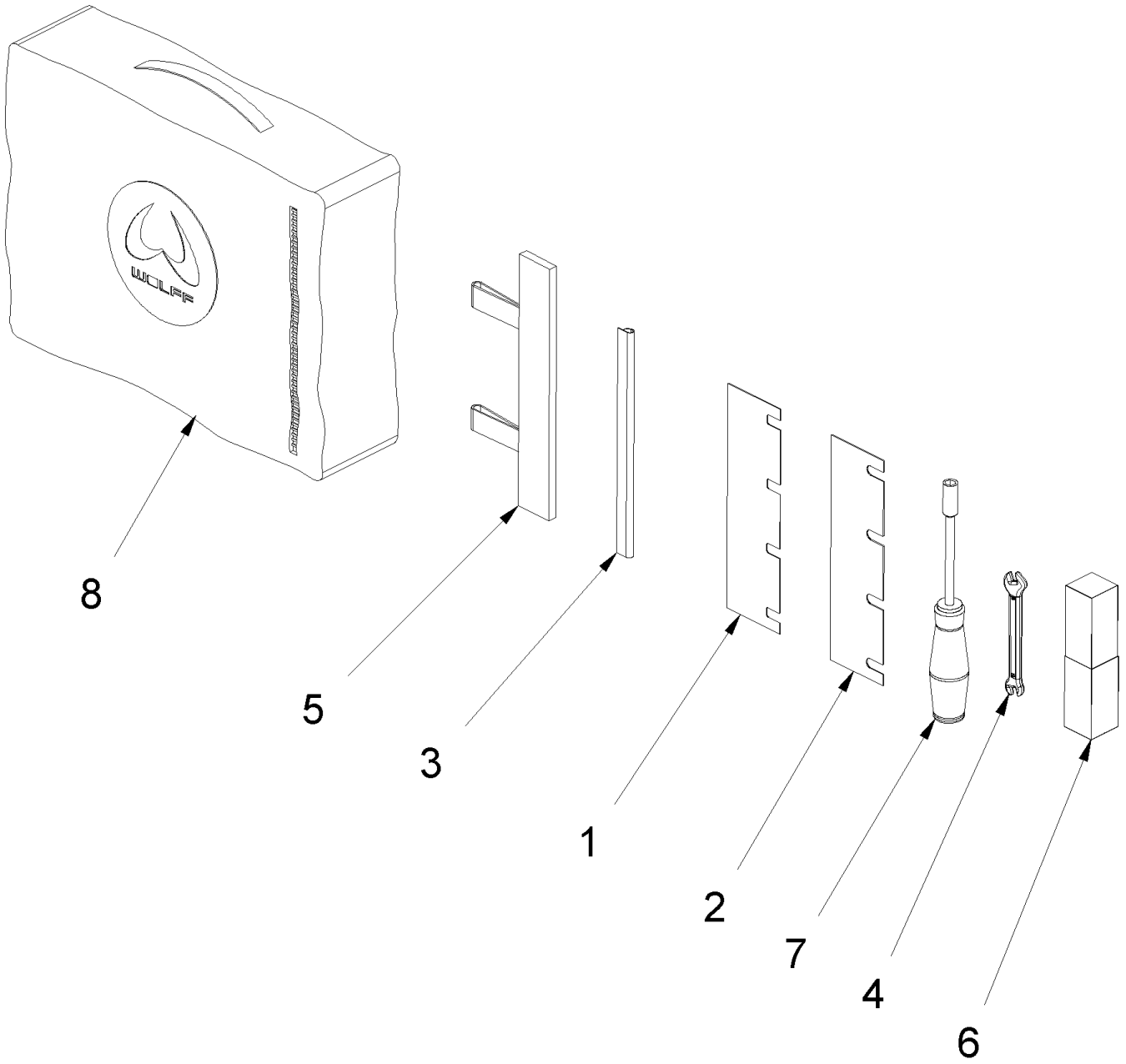
| Item no. | Article no. | Description | Quantity |
|----------|-------------|------------------------------------|----------|
| 1 | 062803 | Exterior Tube Duro Handel VG | 1 |
| 2 | 062802 | Interior Tube Duro Handel VG | 1 |
| 3 | 014877 | Clamping lever M8 Duro | 1 |
| 4 | 014919 | Star grip bolt M8x55 | 1 |
| 5 | 014768 | T-head bolt M8x70 DIN 186 A | 2 |
| 6 | 079873 | Safety washer M8 LL | 2 |
| 7 | 014824 | Wing nut M8 DIN 315 | 2 |
| 8 | 178579 | Velcro cable tie 20cm black | 1 |
| 9 | 014925 | Special handle Duro | 2 |
| 10 | 014935 | End cap outer tube | 1 |
| 11 | 084706 | Handel Duro-Stripper with VG cplt. | 1 |

8 Circuit diagram



8 Circuit diagram

9 Tool kit



9 Tool kit

| Item no. | Article no. | Description | Quantity |
|----------|-------------|--|----------|
| 1 | 013344 | Spare blades, 210 x 60 x 0,7 mm Duro/Var | 1 |
| 2 | 013345 | Spare blades, 210 x 60 x 1 mm Duro/Vario | 1 |
| 3 | 015229 | Blade protection 210mm | 1 |
| 4 | 017612 | Double fork wrench sw10/13 mm | 1 |
| 5 | 033203 | Blade protection Duro/Vario/Eco/Primo | 1 |
| 6 | 014962 | Plastic box 30x65 SM1200/SM800/Duro/LS | 1 |
| 7 | 017598 | Special key SW10 Wolff | 1 |
| 8 | 054064 | Tool bag green - Wolff | 1 |

10 Accesories

| Article no. | Description |
|-------------|--|
| 013344 | Spare blades, 210 x 60 x 0,7 mm Duro/Var |
| 013346 | Spare blades, 210 x 60 x 1,5 mm Duro/Var |
| 013349 | Carrying case Duro-Stripper |
| 084706 | Handel Duro-Stripper with VG cplt. |
| 013342 | Carpet clamp Premium |
| 065500 | Profi hand sraper Wolff |
| 013345 | Spare blades, 210 x 60 x 1 mm Duro/Vario |
| 048402 | Serrated blade, 210 x 60 x 1mm |
| 016151 | Wheel set Duro Stripper |
| 062700 | Ergo Cutter |
| 051505 | Hand scraper WOLFF |
| 013934 | Floor scraper SEE 34543 |
| 085652 | Duro-Stripper 2.0 230V/50Hz VG |
| 015315 | Hearing protectors |
| 015809 | Safety gloves 1 pair |