



spare parts list Extro1 230V EU



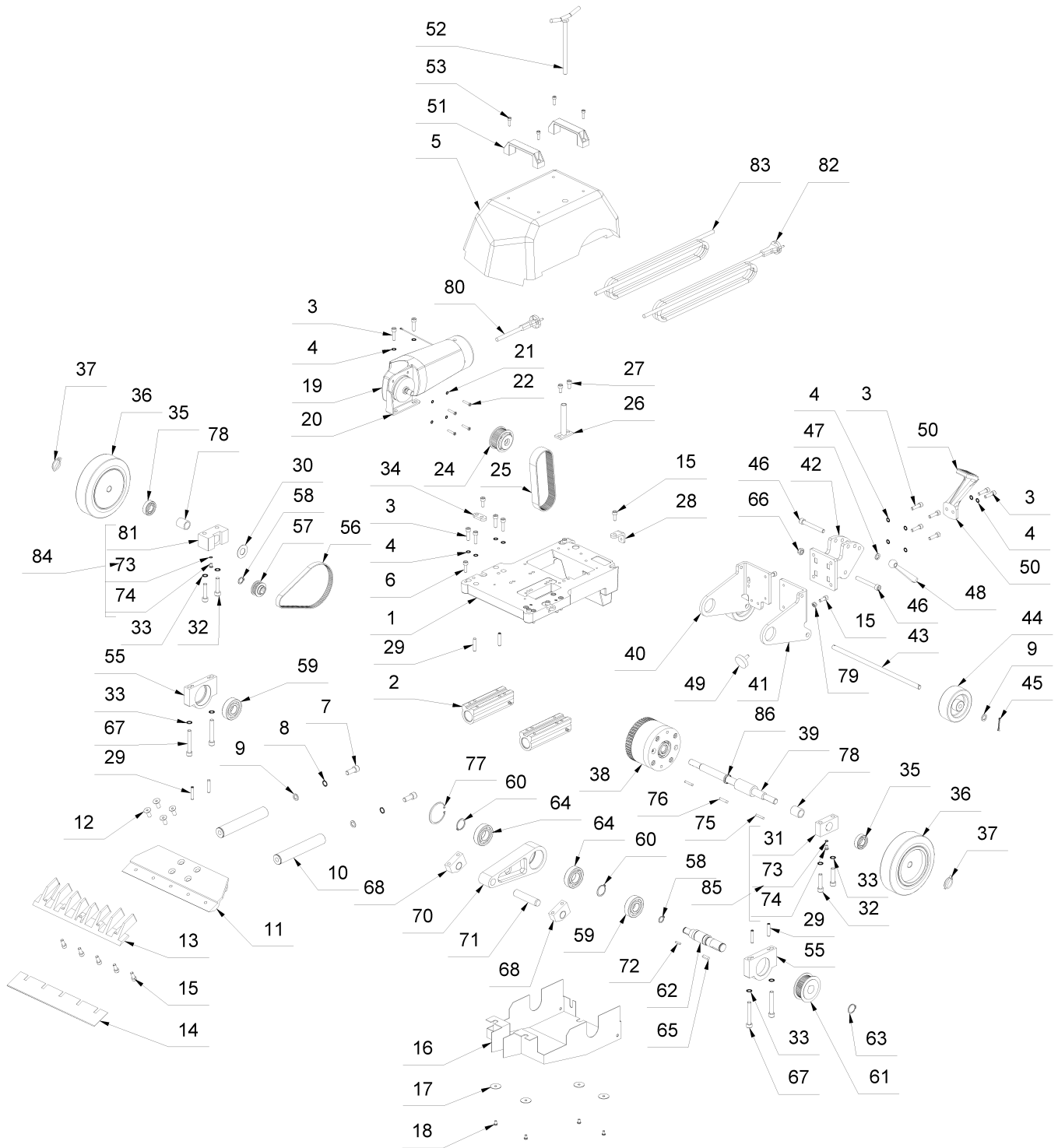
Table of contents

1	Extro (09/2004 - 10/2008)	3
1	Basic machine	4
19	Motor cpl. 230 V Turbo2	8
2	Handle	10
3	Circuit diagram	12
4	Tool kit	14
5	Accessories	16
2	Extro (11/2008 - heute)	17
1	Basic machine	18
19	Motor cpl. 230 V Turbo2	22
2	Handle	24
3	Circuit diagram	26
4	Tool kit	28
5	Accessories	30

1 Extro (09/2004 - 10/2008)

Item no.	Article no.	Description
1	01_01_021444	Basic machine
2	01_02_036685	Handle
3	01_03_021444	Circuit diagram
4	09_15_015162	Tool kit
5	09_15_021444	Accessories

1 Basic machine



1 Basic machine

Item no.	Article no.	Description	Quantity
1	015106	Chassis TURBO	1
2	010928	Piston block square cpl. univ. Turbo	2
3	014736	Cylinder head screw M8x30 DIN 912	16
4	014860	Schnorr Washer M8	16
5	021504	Hood	1
6	014735	Cylinder head screw M8x25 DIN 912	2
7	014744	Cylinder head screw M12x30 DIN 912	2
8	014862	Washer M12	2
9	014833	Washer 13 DIN 433	4
10	015132	Guide sleeve round Turbo/Bau	2
11	015127	Striking foot Turbo	1
12	014763	Countersunk screw M10x25 DIN 7991 10.9	4
13	015126	Blade holder Turbo	1
14	013979	Spare blades, 350 x 60 x 1,5 mm, 10 pcs.	1
15	014734	Cylinder head screw M8x20 DIN 912	11
16	015154	Cover Turbo	1
17	014835	Washer 6,4x30x1,25 n.DIN 522	4
18	014799	Lens head screw M6x10	4
19	050945	Motor cpl. 230 V Turbo2	1
21	014858	Schnorr washer M5	4
22	014721	Cylinder head screw M5x25 DIN 6912	4
23	015130	Motor cover, new Turbo	1
24	015129	Toothed belt disk ZZ20 Turbo	1
25	014937	Toothed belt 187 L 100	1
26	015110	Conductor Turbo	1
27	017651	Cylinder head screw M8x16 DIN 912	2
28	032746	Bracket Extro-Str.	2
29	014876	Cylindrical pin 8x 40 DIN 7979	8
30	015164	Starter disc 20x40x1,0 mm	1
31	015036	Mounting block / axle left Turbo/Sup.	1
32	014741	Cylinder head screw M10x45 DIN 912	4
33	014861	Washer M10	8
34	015107	Bracket Turbo SEE 175341	2
35	014703	Ball-bearing 6004	2

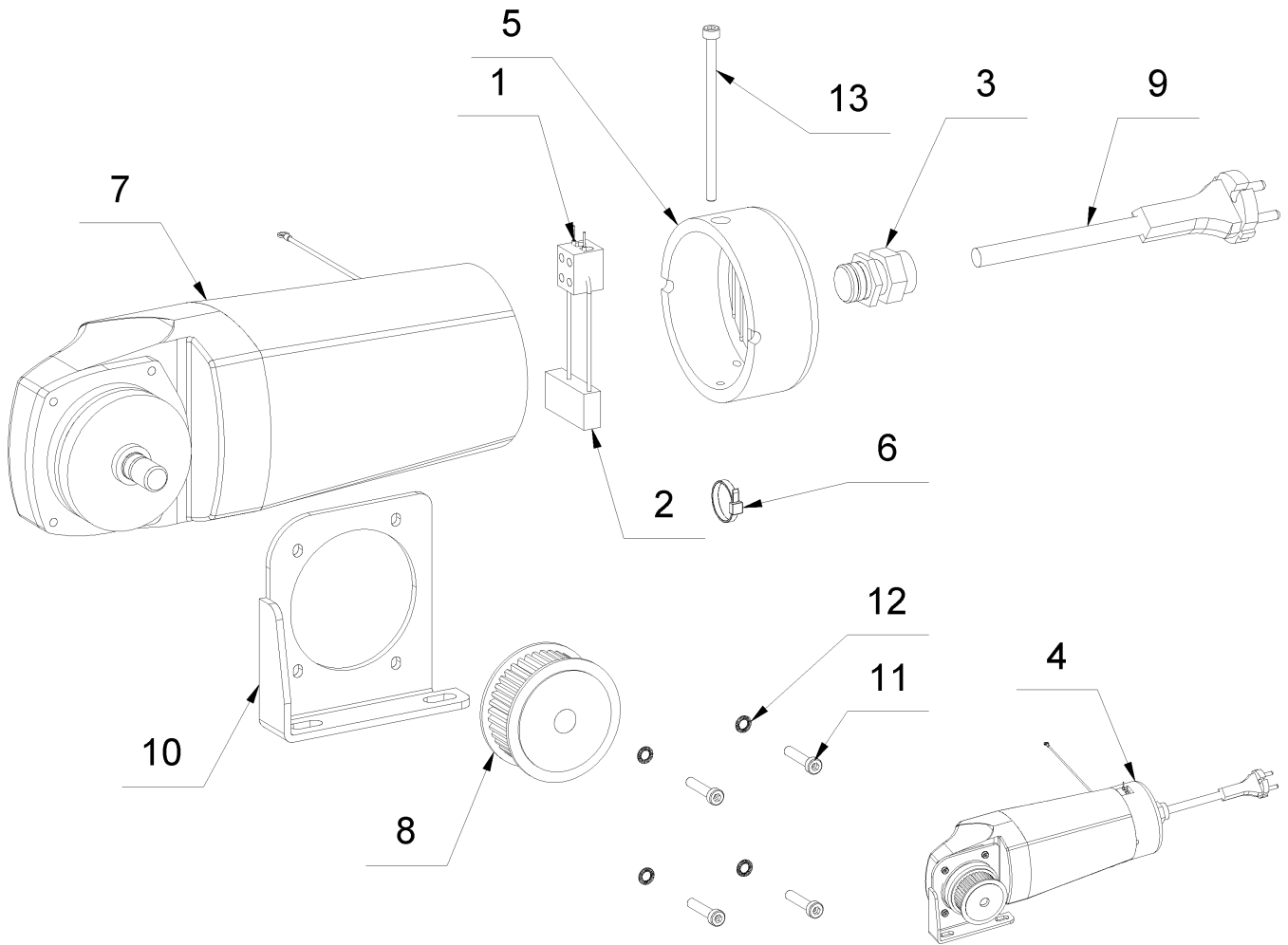
1 Basic machine

Item no.	Article no.	Description	Quantity
36	015135	Driving Wheel B16	2
37	014888	Wheel pin 4,2mm galv.	2
38	015140	Gear block Turbo'48/ Super '30	1
39	015142	Drive Shaft Axle Turbo-Stripper	1
40	032743	Taking off angle right Extro	1
41	032741	Taking off angle left Extro	1
42	021256	SG-Handle mounting 3-way	1
43	032747	Transport axle Extro-Str	1
44	033399	Escapement wheel Extro-Str./VarioSilent	2
45	014886	split pin 3,2x32 DIN 94	2
46	014743	Cylinder head screw M10x80 DIN 912	2
47	017760	Spring washer 10 DIN 127 B	1
48	014820	Locknut M10	1
49	032752	Rubber metal buffer 40x10-M8x23 Typ D	1
50	015125	Protect Foot Pad Turbo	1
51	014915	Handle/Grip GN528 117mm	2
52	021599	T-screw Extro Stripper	1
53	014752	Cylinder head screw M6x20DIN 912 microve	4
55	017079	Bearing Block	2
56	014938	Toothed belt 210L050	1
57	015156	Toothed belt disk ZZ 12	1
58	014850	Safety washer A17 DIN 471	2
59	014712	Ball bearing 6305	2
60	014853	Safety washer A30 DIN 471	2
61	015155	Toothed belt disk Z24	1
62	015145	Excenter Shaft Turbo	1
63	014852	Safety washer A25 DIN 471	1
64	014710	Ball bearing 6206 2RS1 C3	2
65	014903	Nut key 6x6x25 DIN 6885 A	1
66	014817	Hexagon nut M10 DIN 985	1
67	014742	Cylinder head screw M10x70 DIN 912 12.9	4
68	015417	Connecting rod bearing Turbo-/Su	2
70	015144	Connecting Rod Turbo	1
71	014875	Connecting rod pin 20x100	1

1 Basic machine

Item no.	Article no.	Description	Quantity
72	014901	Nut key 4x4x20 DIN 6885 A	1
73	014859	Schnorr washer M6	2
74	014799	Lens head screw M6x10	2
75	014902	Nut key 5x5x32 DIN 6885 A	2
76	014904	Nut key 6x6x32 DIN 6885 A	1
77	014856	Safety washer I62 DIN 472	1
78	014910	Bushing 20x26x30	2
79	014816	Hexagon nut M8 DIN 985	1
80	014973	El. cord2x1,5x0,3m black shock proofplug	1
81	033564	Gear mounting right	1
82	014970	el.cord 3G1,5x10m black shock proofplug	1
83	014971	el.cord 3G1,5x10m black without plug	1
84	021505	Gear mounting right	1
85	015036	Mounting block / axle left Turbo/Sup.	1
86	014845	Compact ring KE 310	1

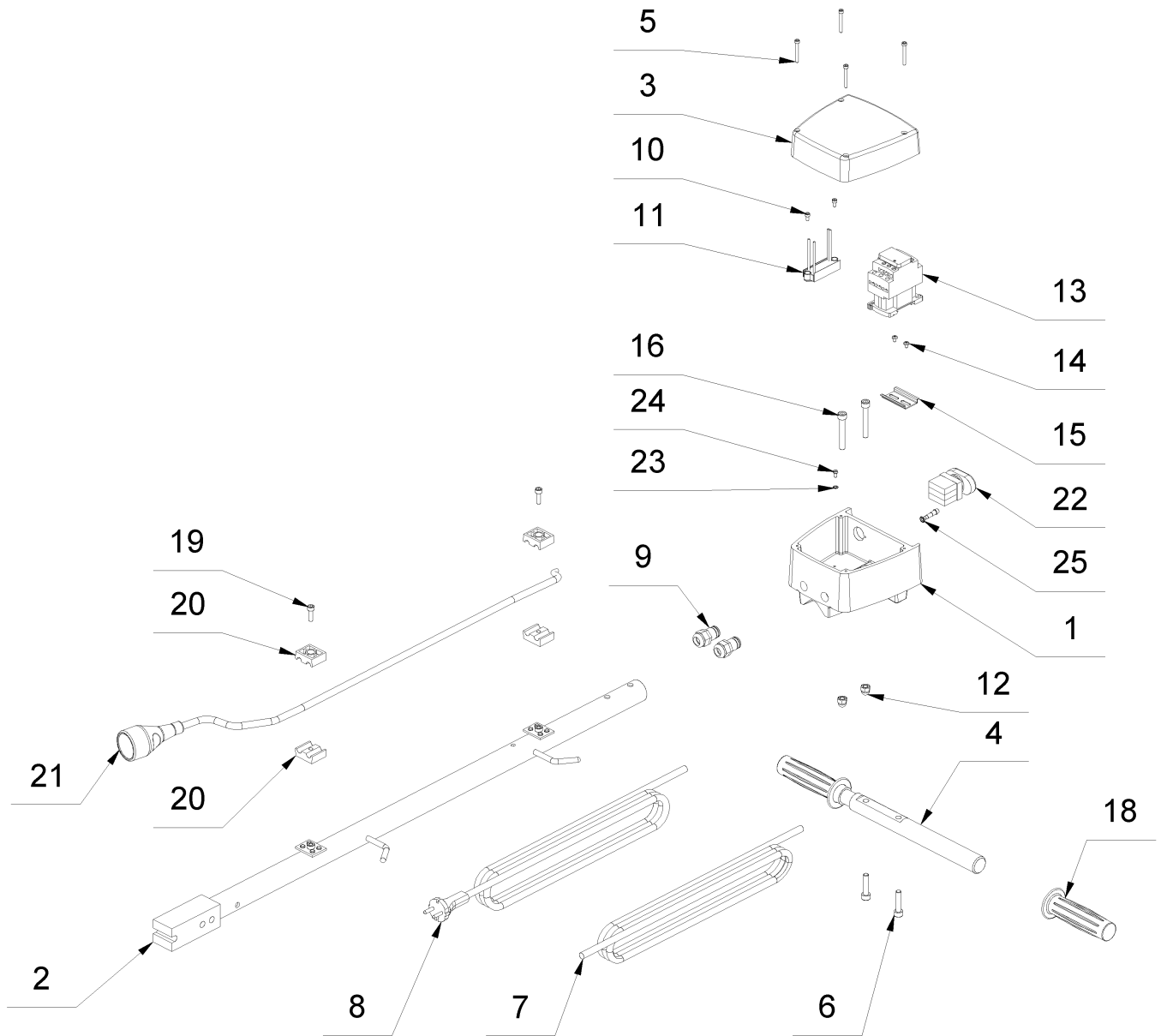
19 Motor cpl. 230 V Turbo2



19 Motor cpl. 230 V Turbo2

Item no.	Article no.	Description	Quantity
1	056685	Ceramik-terminal	1
2	175868	Suppression module Snubber 230V/115V	1
3	051948	Cable gland M20x1.5	1
4	050945	Motor cpl. 230 V Turbo2	1
5	015130	Motor cover, new Turbo	1
6	056684	Cable clip	1
7	050945	Motor cpl. 230 V Turbo2	1
8	015129	Toothed belt disk ZZ20 Turbo	1
9	051919	El.cord 3G2,5²X0,32M black Schukost	1
10	016860	Motor plate universal Turbo	1
11	014721	Cylinder head screw M5x25 DIN 6912	4
12	014858	Schnorr washer M5	4
13	014724	Cylinder head screw M5x90 DIN912	1

2 Handle

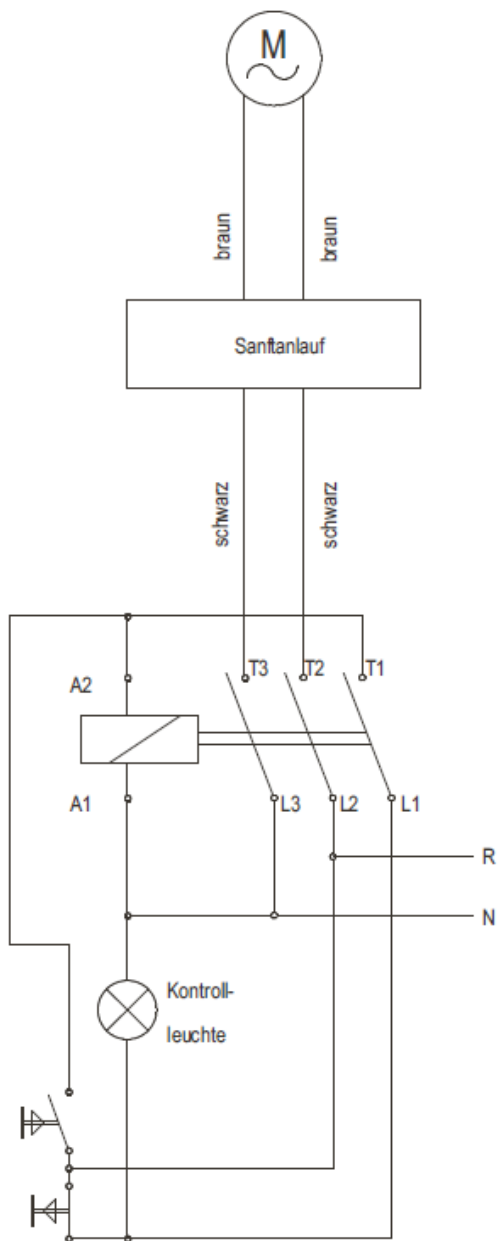


2 Handle

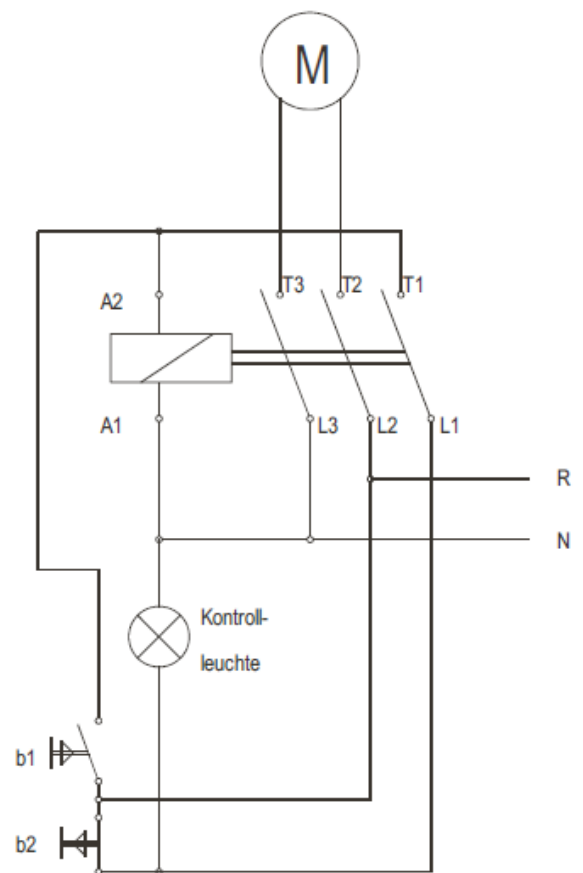
Item no.	Article no.	Description	Quantity
1	021207	Switch housing	1
2	017299	handle tube	1
3	052463	Cover high+deep wolffgreen	1
4	015429	Handle steel Turbo/ Vario - new version	1
5	017701	Allen screw M4x35 DIN 7991	4
6	014737	Cylinder head screw M8x35 DIN 912	2
7	014971	el.cord 3G1,5x10m black without plug	1
8	014970	el.cord 3G1,5x10m black shock proofplug	1
9	014992	Protective cut-out switch	2
10	018280	Cylinder head screw M4x8 DIN 912	2
11	076541	Current limiter 230V, 3wire GEFI replacem.	1
12	014825	Cap nut M8 DIN 986	2
13	021327	Contacto 230V / 20A	1
14	021231	Lens head screw M 4x6 DIN 7985	2
15	020969	Top hat rail 50 mm	1
16	016993	Cylinder head screw M8x55 DIN 912	2
18	014922	Handle cove	2
19	014752	Cylinder head screw M6x20DIN 912 microve	2
20	017511	Double clamp	4
21	014974	El. cord 3G1,5x0,7m black w.clutch	1
22	021233	ZB-Tracer	1
23	017769	Tooth washer A 4,3 DIN 6798	1
24	017473	Cylinder head screw M4x8 DIN 84 brass	1
25	014984	Indicator	1

3 Circuit diagram

EXTRO-Stripper
230 V

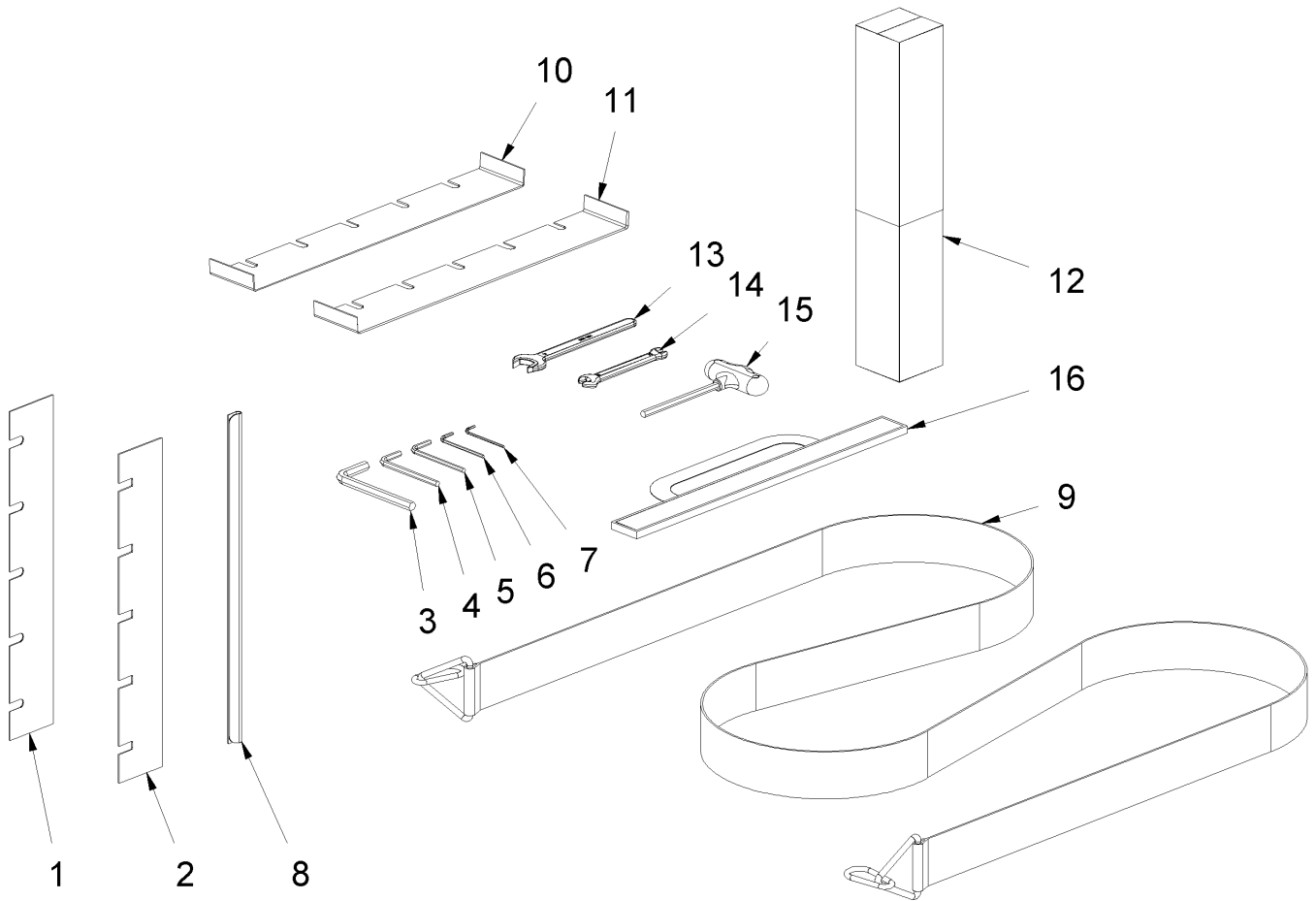


EXTRO-Stripper
115 V



3 Circuit diagram

4 Tool kit



4 Tool kit

Item no.	Article no.	Description	Quantity
1	013978	Spare blades, 350 x 60 x 1,0 mm, 10 pcs.	1
2	013979	Spare blades, 350 x 60 x 1,5 mm, 10 pcs.	1
3	014959	Hexagonal screw key SW8 DIN 911	1
4	014956	Hexagonal screw key SW5 DIN 911	1
5	017027	Hexagonal screw key SW4 DIN 911	1
6	014955	Hexagonal screw key SW2.5 DIN 911	1
7	017660	Hexagonal screw key SW2 DIN 911	1
8	017647	Blade protection 350mm	1
9	040603	Carrying belt for tools	1
10	038933	U-Blade 350mm bottom cutting edge	1
11	013983	U-Blade 350mm top cutting edge	1
12	017666	Sliding sleeve 55x55 Turbo/ Super	1
13	017601	Open-end wrench SW17	1
14	017612	Double fork wrench sw10/13 mm	1
15	019141	T-handle 6-kt SW 6	1
16	033204	Blade protection LederTurbo/Extro/Super	1

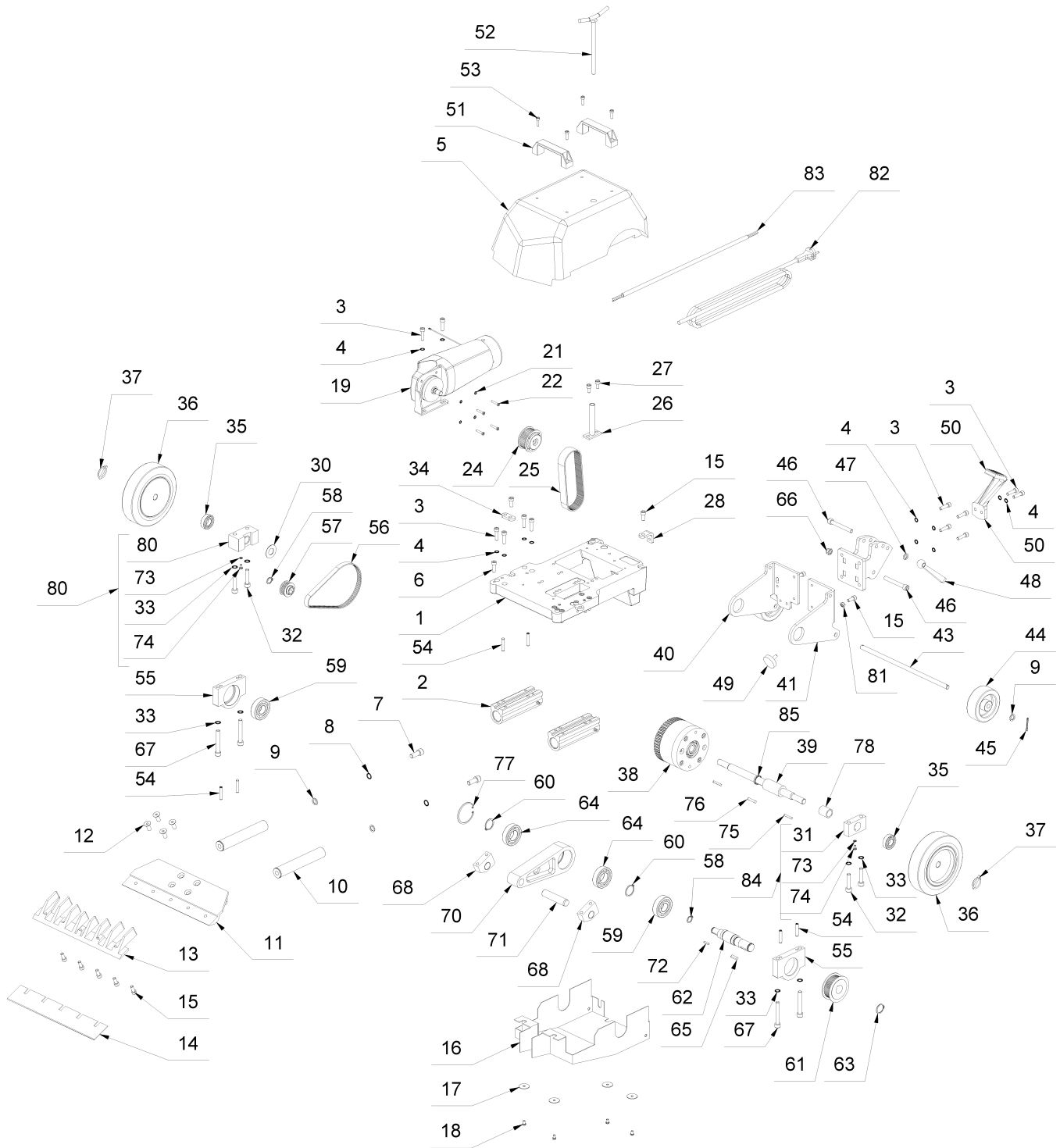
5 Accessories

Item no.	Article no.	Description
1	021502	Technical instructions Extro1 3-sprachi
2	040603	Carrying belt for tools
3	015162	Turbo Tool Kit TURBO/EXTRO
4	015315	Hearing protectors
5	015809	Safety gloves 1 pair
6	017661	Control evidence
7	107287	emballage poinçonné d'une pièce caisse d
8	107291	Holzkrise
9	107299	Karton Systemstiel 109x23x44 cm
10	107303	Label protective glove

2 Extro (11/2008 - heute)

Item no.	Article no.	Description
1	02_01_021444	Basic machine
2	02_02_036685	Handle
3	02_03_021444	Circuit diagram
4	09_15_015162	Tool kit
5	09_15_021444	Accessories

1 Basic machine



1 Basic machine

Item no.	Article no.	Description	Quantity
1	015106	Chassis TURBO	1
2	010928	Piston block square cpl. univ. Turbo	2
3	014736	Cylinder head screw M8x30 DIN 912	16
4	014860	Schnorr Washer M8	16
5	021504	Hood	1
6	014735	Cylinder head screw M8x25 DIN 912	2
7	014744	Cylinder head screw M12x30 DIN 912	2
8	014862	Washer M12	2
9	014833	Washer 13 DIN 433	4
10	015132	Guide sleeve round Turbo/Bau	2
11	015127	Striking foot Turbo	1
12	014763	Countersunk screw M10x25 DIN 7991 10.9	4
13	015126	Blade holder Turbo	1
14	013979	Spare blades, 350 x 60 x 1,5 mm, 10 pcs.	1
15	014734	Cylinder head screw M8x20 DIN 912	11
16	015154	Cover Turbo	1
17	014835	Washer 6,4x30x1,25 n.DIN 522	4
18	014799	Lens head screw M6x10	4
19	050945	Motor cpl. 230 V Turbo2	1
20	016860	Motor plate universal Turbo	1
21	014858	Schnorr washer M5	4
22	014721	Cylinder head screw M5x25 DIN 6912	4
23	015130	Motor cover, new Turbo	1
24	015129	Toothed belt disk ZZ20 Turbo	1
25	014937	Toothed belt 187 L 100	1
26	015110	Conductor Turbo	1
27	017651	Cylinder head screw M8x16 DIN 912	2
28	032746	Bracket Extro-Str.	2
29	021505	Gear mounting right	1
30	015164	Starter disc 20x40x1,0 mm	1
31	015036	Mounting block / axle left Turbo/Sup.	1
32	014741	Cylinder head screw M10x45 DIN 912	4
33	014861	Washer M10	8
34	015107	Bracket Turbo SEE 175341	2

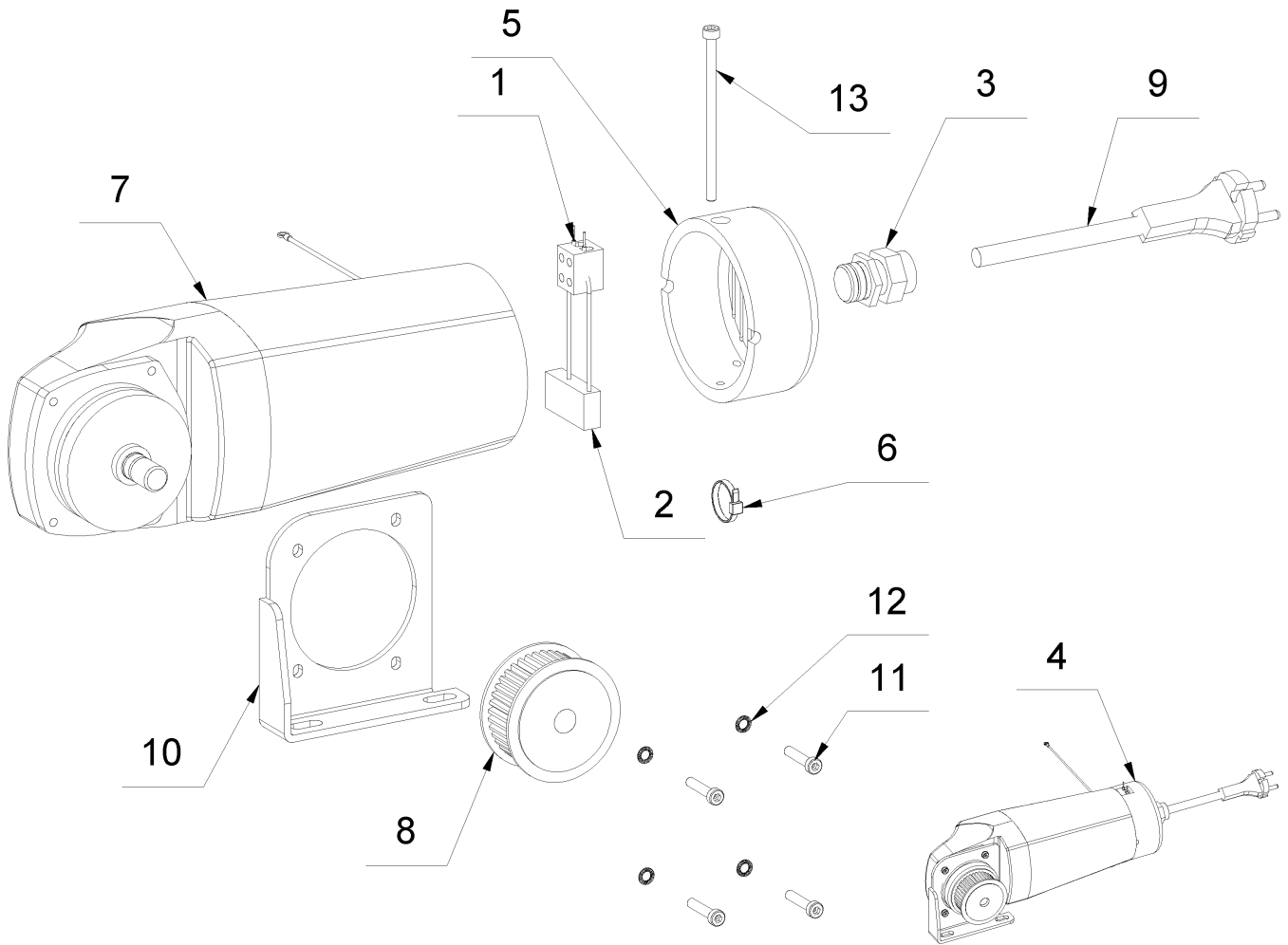
1 Basic machine

Item no.	Article no.	Description	Quantity
35	014703	Ball-bearing 6004	2
36	015135	Driving Wheel B16	2
37	014888	Wheel pin 4,2mm galv.	2
38	015140	Gear block Turbo'48/ Super '30	1
39	015142	Drive Shaft Axle Turbo-Stripper	1
40	032743	Taking off angle rightExtro	1
41	032741	Taking off angle left Extro	1
42	021256	SG-Handle mounting 3-way	1
43	032747	Transport axle Extro-Str	1
44	033399	Escapement wheel Extro-Str./VarioSilent	2
45	014886	split pin 3,2x32 DIN 94	2
46	014743	Cylinder head screw M10x80 DIN 912	2
47	017760	Spring washer 10 DIN 127 B	1
48	014820	Locknut M10	1
49	032752	Rubber metal buffer 40x10-M8x23 Typ D	1
50	015125	Protect Foot Pad Turbo	1
51	014915	Handle/Grip GN528 117mm	2
52	021599	T-screw Extro Stripper	1
53	014752	Cylinder head screw M6x20DIN 912 microve	4
54	018112	cylindrical pin 8x 40 DIN 6325	8
55	017079	Bearing Block	2
56	014938	Thoothed belt 210L050	1
57	015156	Toothed belt disk ZZ 12	1
58	014850	Safety washer A17 DIN 471	2
59	014712	Ball bearing 6305	2
60	014853	Safety washer A30 DIN 471	2
61	015155	Toothed belt disk Z24	1
62	015145	Excenter Shaft Turbo	1
63	014852	Safety washer A25 DIN 471	1
64	014710	Ball bearing 6206 2RS1 C3	2
65	014903	Nut key 6x6x25 DIN 6885 A	1
66	014817	Hexagon nut M10 DIN 985	1
67	014742	Cylinder head screw M10x70 DIN 912 12.9	4
68	015417	Connecting rod bearing Turbo-/Su	2

1 Basic machine

Item no.	Article no.	Description	Quantity
70	015144	Connecting Rod Turbo	1
71	014875	Connecting rod pin 20x100	1
72	014901	Nut key 4x4x20 DIN 6885 A	1
73	014859	Schnorr washer M6	2
74	014799	Lens head screw M6x10	2
75	014902	Nut key 5x5x32 DIN 6885 A	2
76	014904	Nut key 6x6x32 DIN 6885 A	1
77	014856	Safety washer I62 DIN 472	1
78	014910	Bushing 20x26x30	2
80	033564	Gear mounting right	1
81	014816	Hexagon nut M8 DIN 985	1
82	014970	el.cord 3G1,5x10m black shock proofplug	1
83	051437	El.cord 3G2,5x10m black without plug	1
84	015036	Mounting block / axle left Turbo/Sup.	1
85	014845	Compact ring KE 310	1

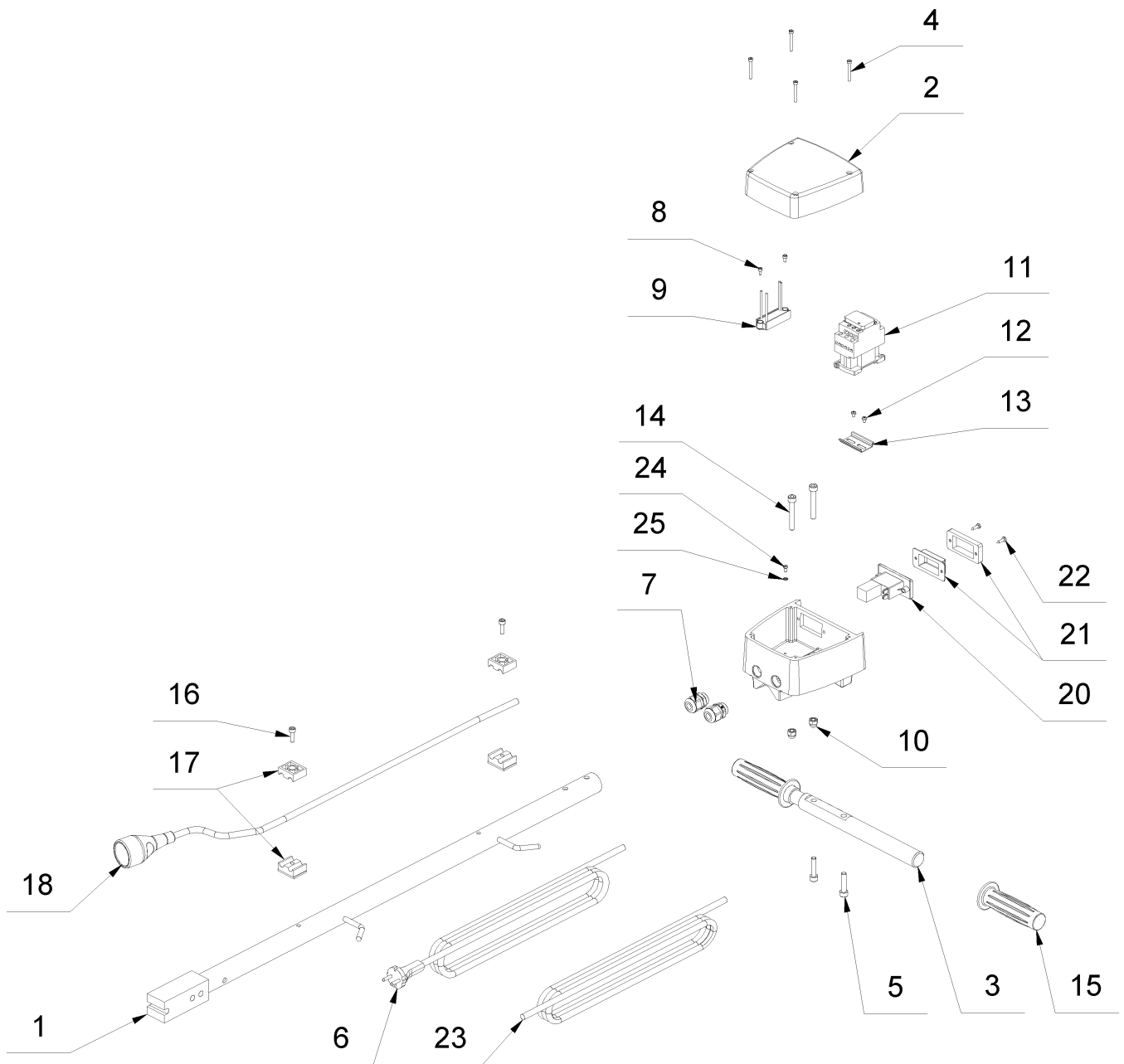
19 Motor cpl. 230 V Turbo2



19 Motor cpl. 230 V Turbo2

Item no.	Article no.	Description	Quantity
1	056685	Ceramik-terminal	1
2	175868	Suppression module Snubber 230V/115V	1
3	051948	Cable gland M20x1.5	1
4	050945	Motor cpl. 230 V Turbo2	1
5	015130	Motor cover, new Turbo	1
6	056684	Cable clip	1
7	050945	Motor cpl. 230 V Turbo2	1
8	015129	Toothed belt disk ZZ20 Turbo	1
9	051919	El.cord 3G2,5²X0,32M black Schukost	1
10	016860	Motor plate universal Turbo	1
11	014721	Cylinder head screw M5x25 DIN 6912	4
12	014858	Schnorr washer M5	4
13	014724	Cylinder head screw M5x90 DIN912	1

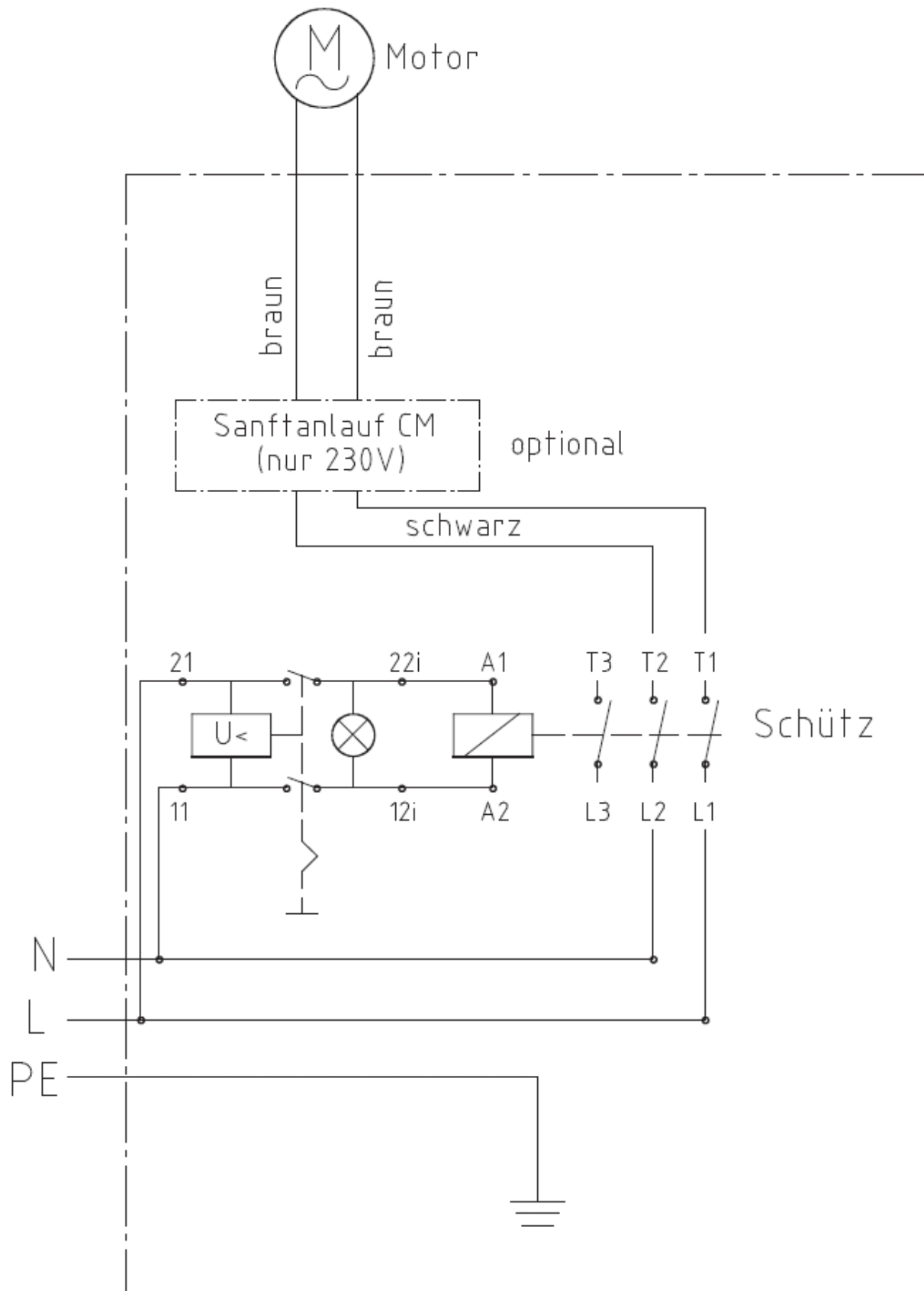
2 Handle



2 Handle

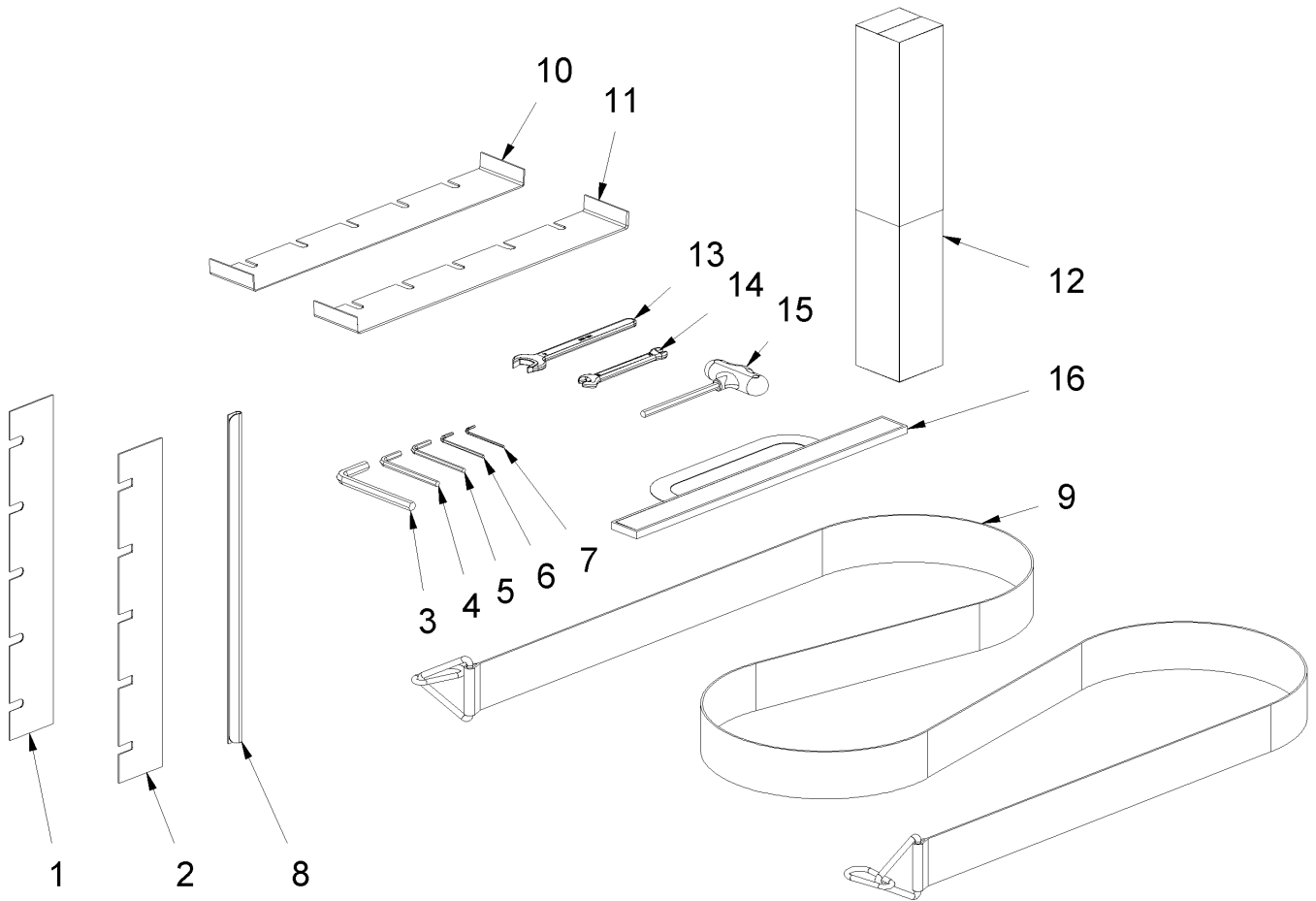
Item no.	Article no.	Description	Quantity
1	017299	handle tube	1
2	052463	Cover high+deep wolffgreen	1
3	015429	Handle steel Turbo/ Vario - new version	1
4	017701	Allen screw M4x35 DIN 7991	4
5	014737	Cylinder head screw M8x35 DIN 912	2
6	014970	el.cord 3G1,5x10m black shock proofplug	1
7	051948	Cable gland M20x1.5	2
8	018280	Cylinder head screw M4x8 DIN 912	2
9	076541	Current limiter230V,3wire GEFI replacem.	1
10	014825	Cap nut M8 DIN 986	2
11	021327	Contactora 230V / 20A	1
12	021231	Lens head screw M 4x6 DIN 7985	2
13	020969	Top hat rail 50 mm	1
14	016993	Cylinder head screw M8x55 DIN 912	2
15	014922	Handle cove	2
16	014752	Cylinder head screw M6x20DIN 912 microve	2
17	017511	Double clamp	4
18	051918	El.cord 3G2,5x0,7m black w.clutch	1
19	051916	Switch housing ETA Turbo2 / Extro2	1
20	164756	ETA protective switch cpl.230V 2021	1
21	051722	Cap for ETA switch	1
22	051914	EJOT Screw Torx 4x16	2
23	051437	El.cord 3G2,5x10m black without plug	1
24	017473	Cylinder head screw M4x8 DIN 84 brass	1
25	017769	Tooth washer A 4,3 DIN 6798	1

3 Circuit diagram



3 Circuit diagram

4 Tool kit



4 Tool kit

Item no.	Article no.	Description	Quantity
1	013978	Spare blades, 350 x 60 x 1,0 mm, 10 pcs.	1
2	013979	Spare blades, 350 x 60 x 1,5 mm, 10 pcs.	1
3	014959	Hexagonal screw key SW8 DIN 911	1
4	014956	Hexagonal screw key SW5 DIN 911	1
5	017027	Hexagonal screw key SW4 DIN 911	1
6	014955	Hexagonal screw key SW2.5 DIN 911	1
7	017660	Hexagonal screw key SW2 DIN 911	1
8	017647	Blade protection 350mm	1
9	040603	Carrying belt for tools	1
10	038933	U-Blade 350mm bottom cutting edge	1
11	013983	U-Blade 350mm top cutting edge	1
12	017666	Sliding sleeve 55x55 Turbo/ Super	1
13	017601	Open-end wrench SW17	1
14	017612	Double fork wrench sw10/13 mm	1
15	019141	T-handle 6-kt SW 6	1
16	033204	Blade protection LederTurbo/Extro/Super	1

5 Accessories

Item no.	Article no.	Description
1	021502	Technical instructions Extro1 3-sprachi
2	040603	Carrying belt for tools
3	015162	Turbo Tool Kit TURBO/EXTRO
4	015315	Hearing protectors
5	015809	Safety gloves 1 pair
6	017661	Control evidence
7	107287	emballage poinçonné d'une pièce caisse d
8	107291	Holzkrise
9	107299	Karton Systemstiel 109x23x44 cm
10	107303	Label protective glove