



## spare parts list

### Frank Cobra 09 230V EU



# Table of contents

---

1 Frank Cobra 09 230V EU (0001/2010 - 0079/2010)	5
1 Housing	7
2 Belt Holding Fixture	10
3 Handle	12
4 Cover	14
5 Pressure regulation	16
6 Sanding drum bearing	18
7 Fan	20
8 Tension roller	22
9 Roller clamo	24
10 Carriage	26
11 Caster	28
12 Cockpit	30
13 Handle	33
14 Handle compl.	36
15 Motor	38
16 Cover	40
17 Circuit diagram	42
18 Tool kit #060281	44
19 Accessories	45
2 Frank Cobra 09 230V EU (0080/2011 - 0418/2012)	46
1 Housing	48
2 Belt Holding Fixture	51
3 Handle	53
4 Cover	55
5 Pressure regulation	57
6 Sanding drum bearing	59
7 Fan	61
8 Tension roller	63
9 Roller clamo	65
10 Carriage	67
11 Caster	69
12 Cockpit	71
13 Handle	74
14 Handle compl.	77
15 Motor	79
16 Cover	81
17 Circuit diagram	83
18 Tool kit #060281	85
19 Accessories	86
3 Frank Cobra 09 230V EU (0419/2012 - 0423/2012)	87
1 Housing	89
2 Belt Holding Fixture	92
3 Handle	94
4 Cover	96
5 Pressure regulation	98
6 Sanding drum bearing	100
7 Fan	102
8 Tension roller	104
9 Roller clamo	106
10 Carriage	108
11 Caster	110
12 Cockpit	112
13 Handle	115
14 Handle compl.	118
15 Motor	120
16 Cover	122
17 Circuit diagram	124

## Table of contents

---

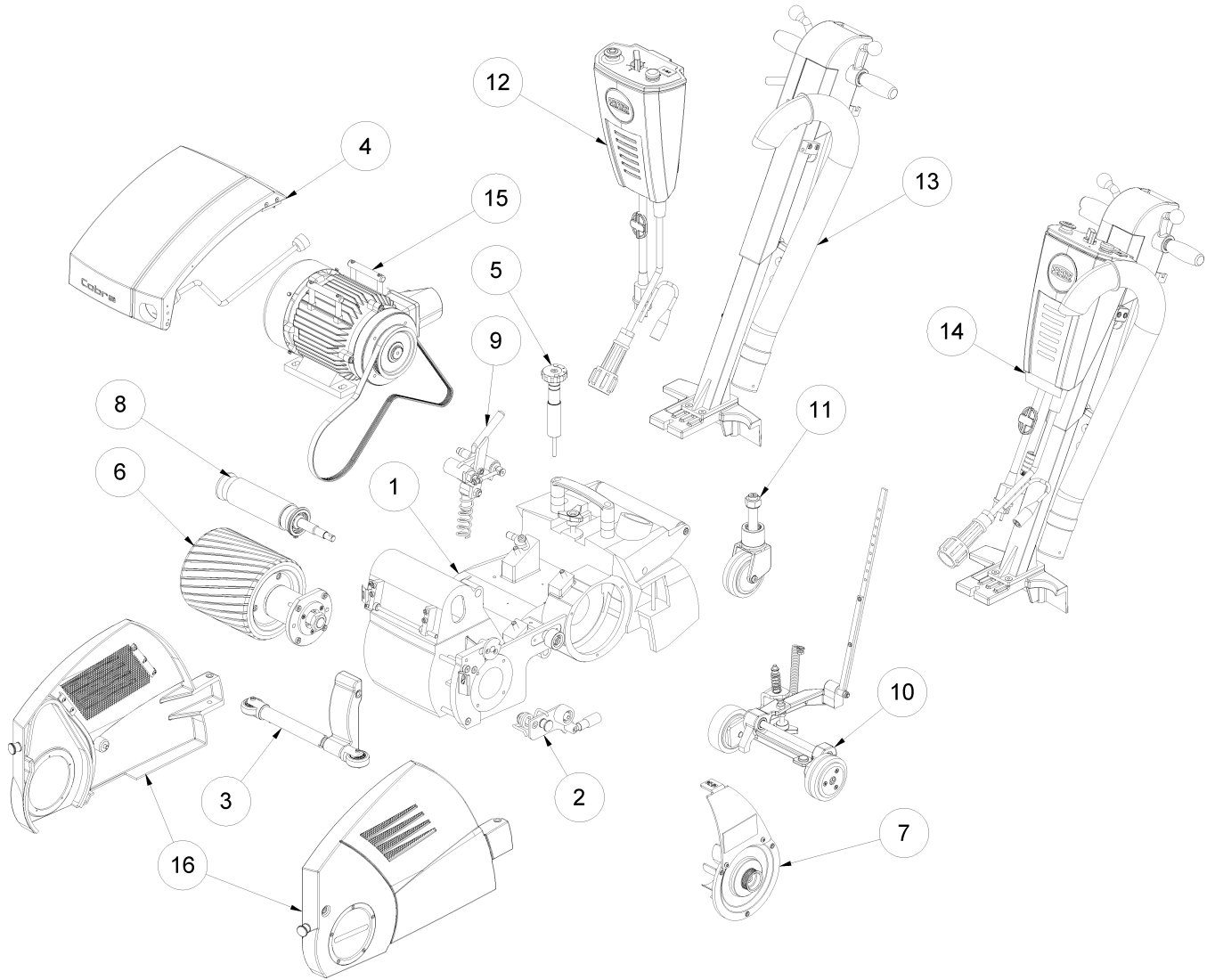
18 Tool kit #060281	126
19 Accessories	127
4 Frank Cobra 09 230V EU (0424/2012 - 0661/2015)	128
1 Housing	130
2 Belt Holding Fixture	133
3 Handle	135
4 Cover	137
5 Pressure regulation	139
6 Sanding drum bearing	141
7 Fan	143
8 Tension roller	145
9 Roller clamo	147
10 Carriage	149
11 Caster	151
12 Cockpit	153
13 Handle	156
14 Handle compl.	159
15 Motor	161
16 Cover	163
17 Circuit diagram	165
18 Tool kit #060281	167
19 Accessories	168
5 Frank Cobra 09 230V EU (0662/2015 - 0761/2016)	169
1 Housing	171
2 Belt Holding Fixture	174
3 Handle	176
4 Cover	178
5 Pressure regulation	180
6 Adapter plate	182
7 Sanding drum bearing	184
8 Fan	186
9 Tension roller	188
10 Roller clamo	190
11 Carriage	192
12 Caster	194
13 Cockpit	196
14 Handle	199
15 Handle compl.	202
16 Motor	204
17 Cover	206
18 Circuit diagram	208
19 Tool kit #060281	210
20 Accessories	211
6 Frank Cobra 09 230V EU (0762/2016 - up to now)	212
1 Housing	214
2 Belt Holding Fixture	216
3 Handle	218
4 Cover	220
5 Pressure regulation	222
6 Adapter plate	224
7 Sanding drum bearing	226
8 Fan	228
9 Tension roller	230
10 Roller clamo	232
11 Carriage	234
12 Caster	236
13 Cockpit	238
14 Handle	241

## Table of contents

---

15 Handle compl.	244
16 Motor	246
17 Cover	248
18 Circuit diagram	250
19 Tool kit #060281	252
20 Accessories	253

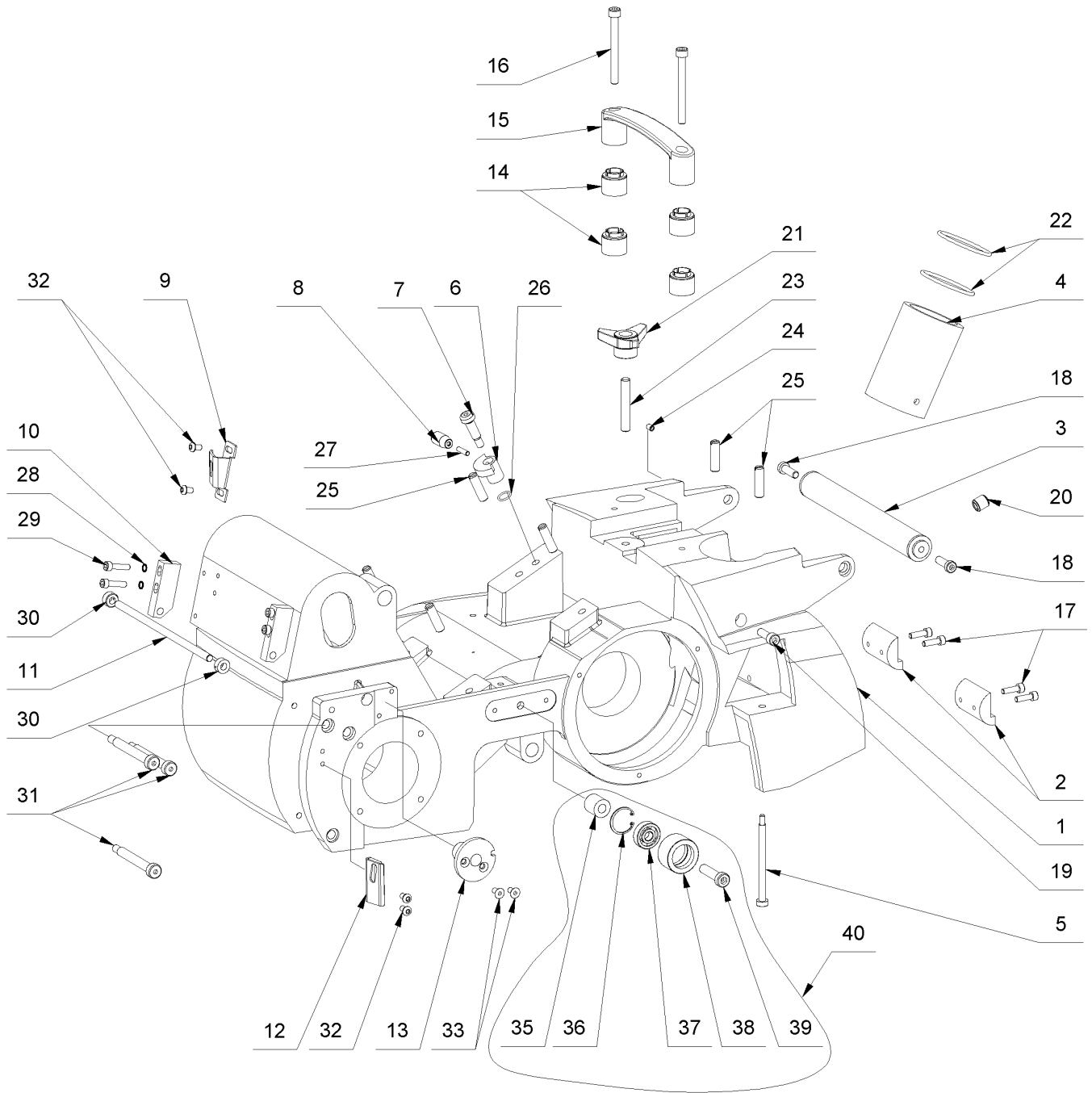
# 1 Frank Cobra 09 230V EU (0001/2010 - 0079/2010)



## 1 Frank Cobra 09 230V EU (0001/2010 - 0079/2010)

Item no.	Article no.	Description
1	01_01_062228	Housing
2	01_02_053277	Belt Holding Fixture
3	01_03_062228	Handle
4	01_04_062228	Cover
5	01_05_062228	Pressure regulation
6	01_07_062228	Sanding drum bearing
7	01_08_062228	Fan
8	01_09_016845	Tension roller
9	01_10_062228	Roller clamo
10	01_11_053246	Carriage
11	01_12_016380	Caster
12	01_13_078772	Cockpit
13	01_14_053248	Handle
14	01_15_054511	Handle compl.
15	01_16_053250	Motor
16	01_17_062228	Cover
17	01_18_062228	Circuit diagram
18	01_19_060281	Tool kit #060281
19	01_20_062228	Accessories

# 1 Housing



# 1 Housing

Item no.	Article no.	Description	Quantity
1	052299	Chassis Cobra 09	1
2	052689	Edge protection Cobra 09	2
3	052507	ZB Carry handle behind Cobra 09	1
4	052593	Sock dust pipe Cobra 09	1
5	052627	Screw M 6x90 DIN 7379	2
6	053077	Bar for motor Cobra 09	1
7	053030	Screw M10x25 DIN 7379	1
8	053426	Cylindr.knob Cobra 09	1
9	053922	Right door lock Cobra 09	1
10	053114	Hood angle Cobra 09	2
11	059611	Shaft Cobra 09	1
12	053921	Left door lock Cobra 09	1
13	059670	flange Cobra 09	1
14	056814	Distance bushing for U-handle	4
15	056811	Handle grip GN628 150mm	1
16	018249	Cylinder head screw M8x80 DIN 912	2
17	018706	Lens head screw M6x20	4
18	016365	Cylinder head screw M10x45 DIN 6912	2
19	014735	Cylinder head screw M8x25 DIN 912	1
21	037940	Three-star grip nut D63 x M10	1
22	052952	O-Ring 57x3	2
23	053041	Stud bolt M10x45 DIN 835	1
24	049055	Headless pin M6x10 DIN 914	1
25	052452	Shaft screw M10x35 DIN 427	6
26	053468	O-Ring 12x1	1
27	018203	Headless pin M5x20 DIN 913	1
28	014859	Schnorr washer M6	4
29	017678	Cylinder head screw M6x30 DIN 912	4
30	059599	Adjusting ring Ø 8 DIN 705 A	2
31	052451	Screw M 8x70 DIN 7379	3
32	014799	Lens head screw M6x10	4
33	014755	Countersunk screw M6x12 DIN 7991 10.9	2
35	052488	Distance bushing guide pulley Cobra 09	1
36	053318	Circlip I30 DIN 472	1

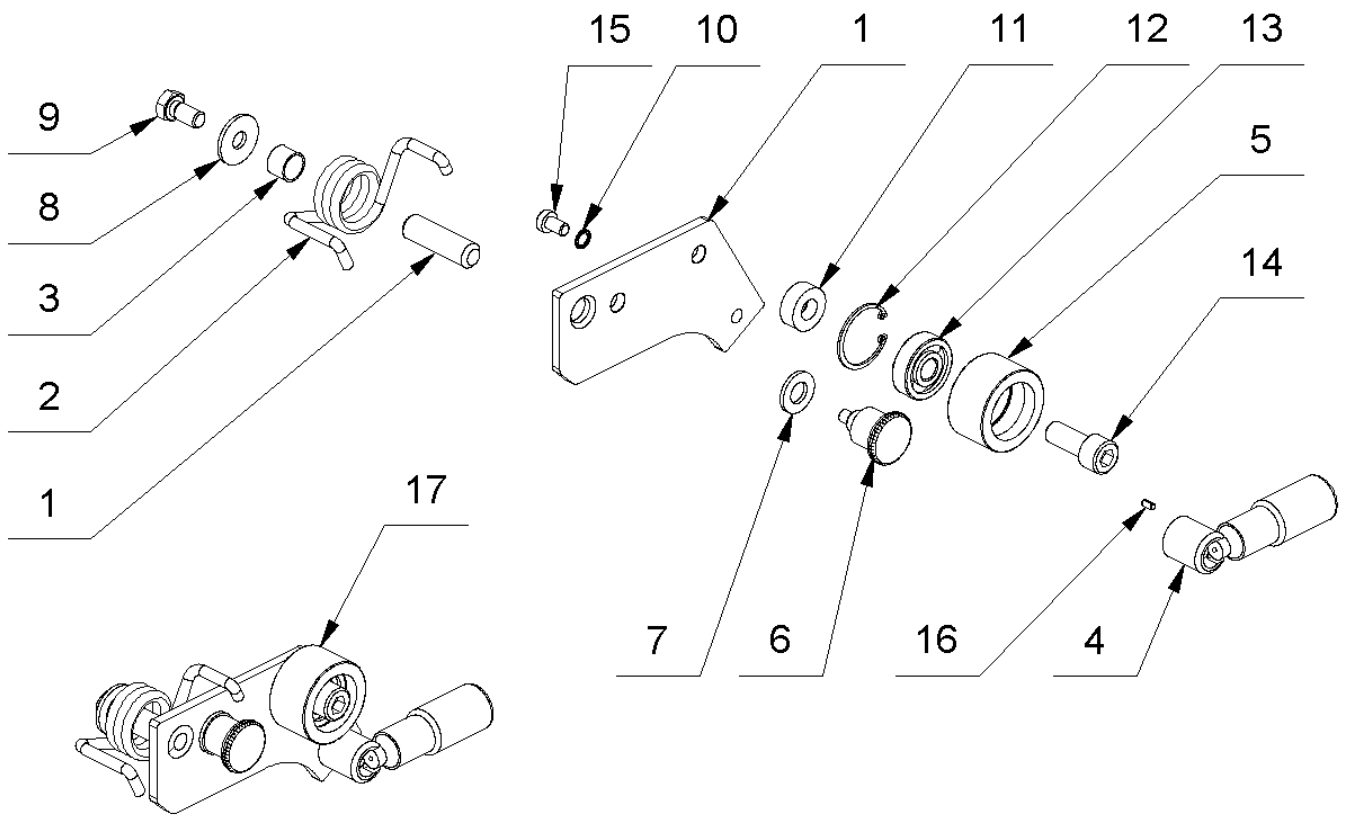


## 1 Housing

---

Item no.	Article no.	Description	Quantity
37	018353	Ball bearing 6200 2RS HS800	1
38	052468	Tension-/guide pulley Cobra 09	1
39	043915	Cylinder Head Bolt M10x 40 DIN 6912	1
40	053280	Pulley for belt cpl. Cobra 09	1

## 2 Belt Holding Fixture

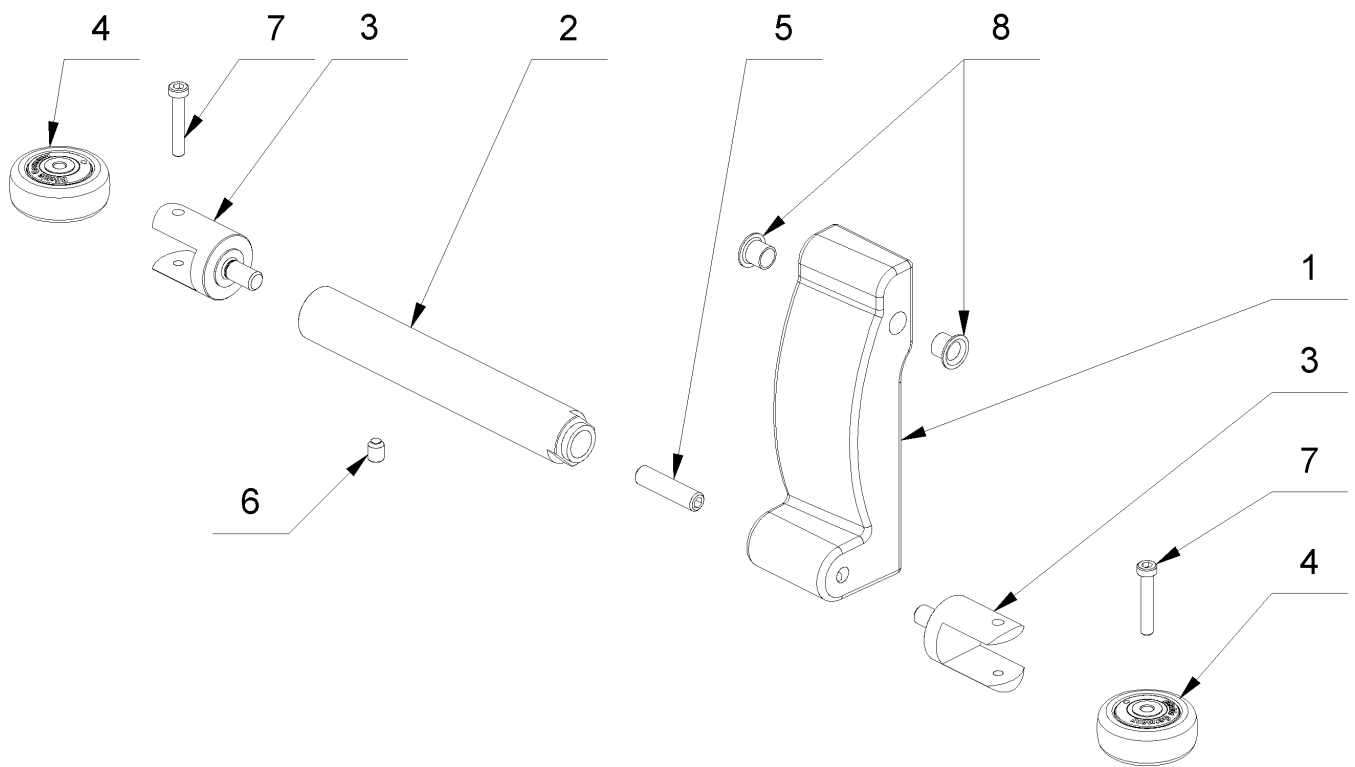


## 2 Belt Holding Fixture

Item no.	Article no.	Description	Quantity
1	088592	Tensioner roller holder Frank Cobra 09	1
2	064322	Lag spring 5mm Cobra 09 Cobra 09	1
3	018680	ZZZBushing 1210ZZZ	1
4	052450	Handle Cobra 09	1
5	052468	Tension-/guide pulley Cobra 09	1
6	052440	Arresting bolt	1
7	014829	Washer M10 DIN 125 A	1
8	018737	Washer 8,4x24x2 DIN 9021 galv.	1
9	018969	Hexagonal screw M 8x 16 DIN 933	1
10	014859	Schnorr washer M6	1
11	052690	Distance bushing 21x10x8 Cobra 09	1
12	053318	Circlip I30 DIN 472	1
13	018353	Ball bearing 6200 2RS HS800	1
14	049654	Cylinder head screw M10x25 DIN 912	1
15	014725	Cylinder head screw M6x10 DIN 6912	1
16	053901	Clamping sleeve 3x6 DIN 7346	1
17	053277	Belt tensioner cpl. Cobra 09	1

### 3 Handle

---



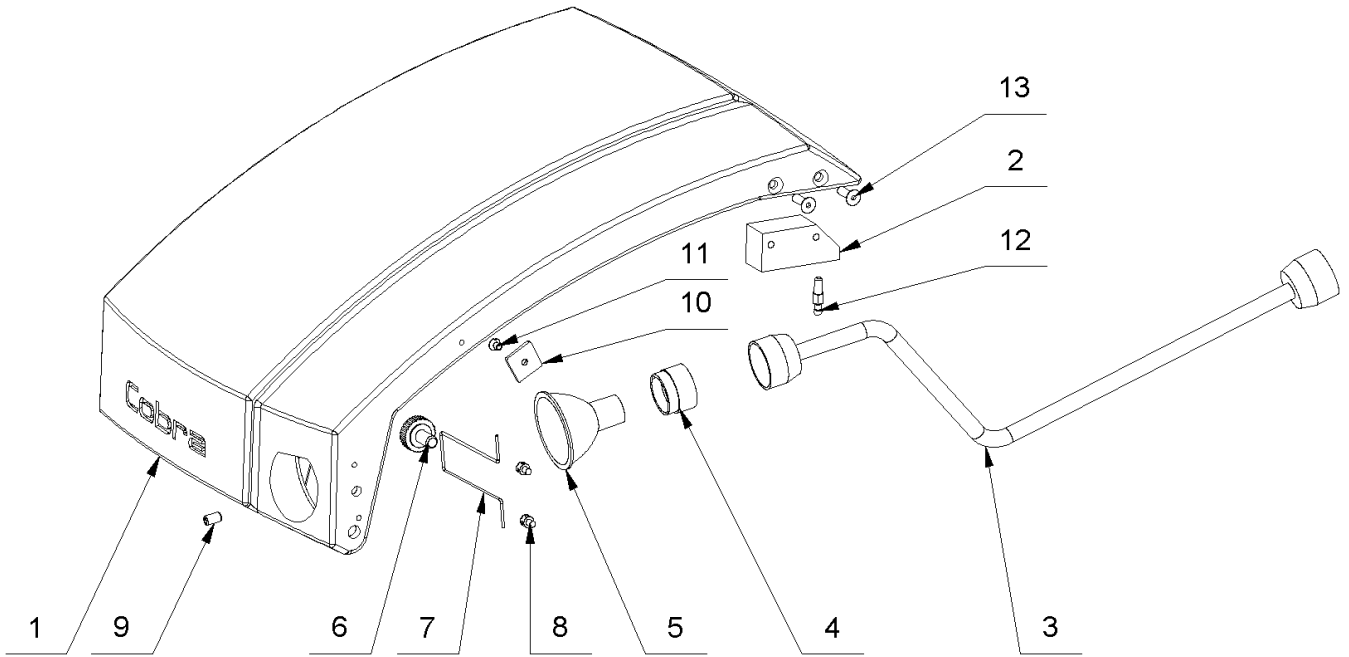
### 3 Handle

---

Item no.	Article no.	Description	Quantity
1	066944	Handle bracket M16 Cobra 09	1
2	053003	SG Handle in front Cobra 09	1
3	052461	Halter reel projection Cobra 09	2
4	060072	Barrier distance roll grey Cobra 09	2
5	053076	headless pin M10x45 DIN 913 blank	1
6	053104	Ball screw pressure Cobra 09	1
7	053071	Cylinder head screw M6x35 DIN 6912	2
8	018682	Bushing BB 1012	2

## 4 Cover

---

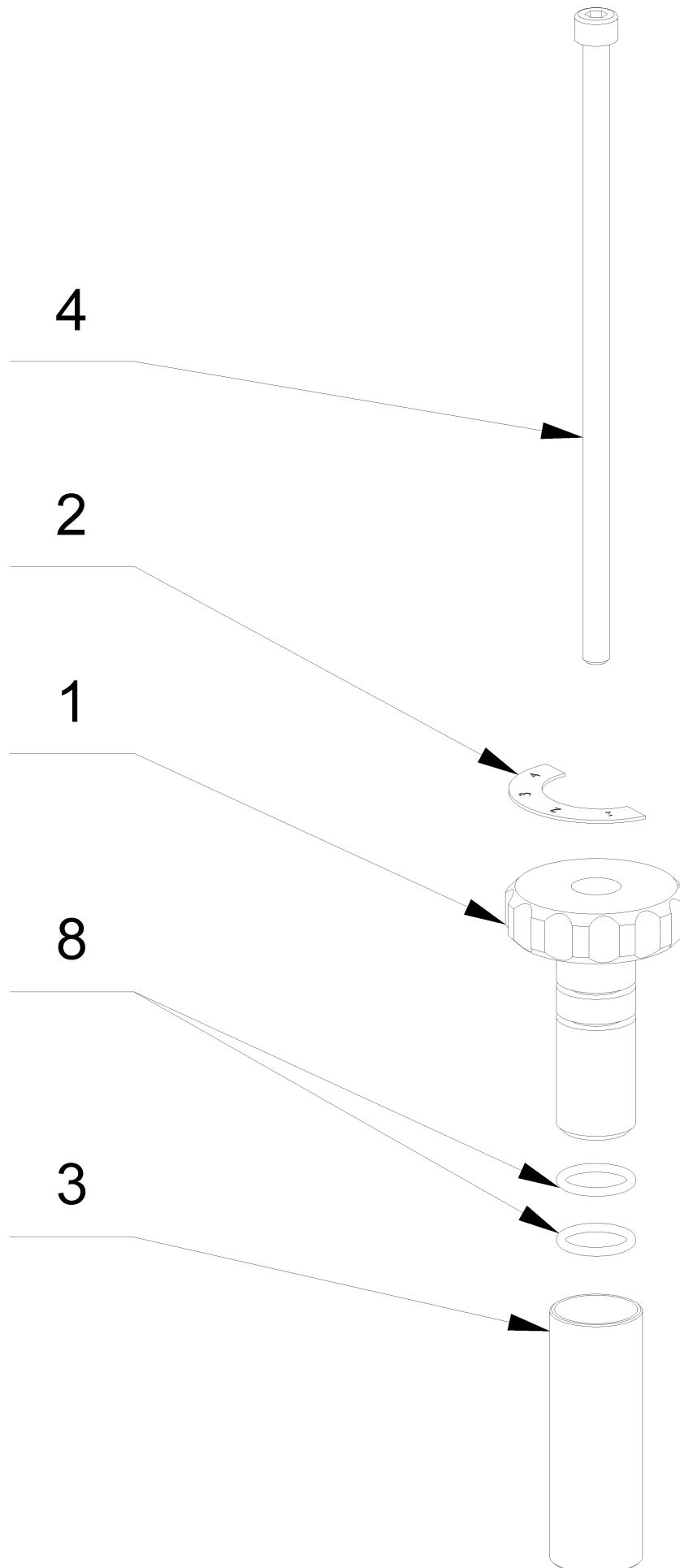


## 4 Cover

Item no.	Article no.	Description	Quantity
1	052366	Cover Cobra 09	1
2	053421	Holder f. nipple Cobra 09	1
3	052582	Connector cable Cobra 09	1
4	052437	Socket GU/GZ10 Cobra 09	1
5	053131	Halogen lamp cpl.230V Cobra 09	1
6	014800	Thumb screw M6x14 Inden	1
7	052449	Clamp halogen lamp Cobra 09	1
8	052587	Cross bolt hole M4x5 Cobra 09	2
9	049055	Headless pin M6x10 DIN 914	1
10	053445	Adhesive base Cobra 09	4
11	016469	Countersunk screw M4x6 DIN 963	1
12	052164	RAPID-nipple	1
13	016312	Countersunk bolt M5x16 DIN 7991 10.9	2

## 5 Pressure regulation

---



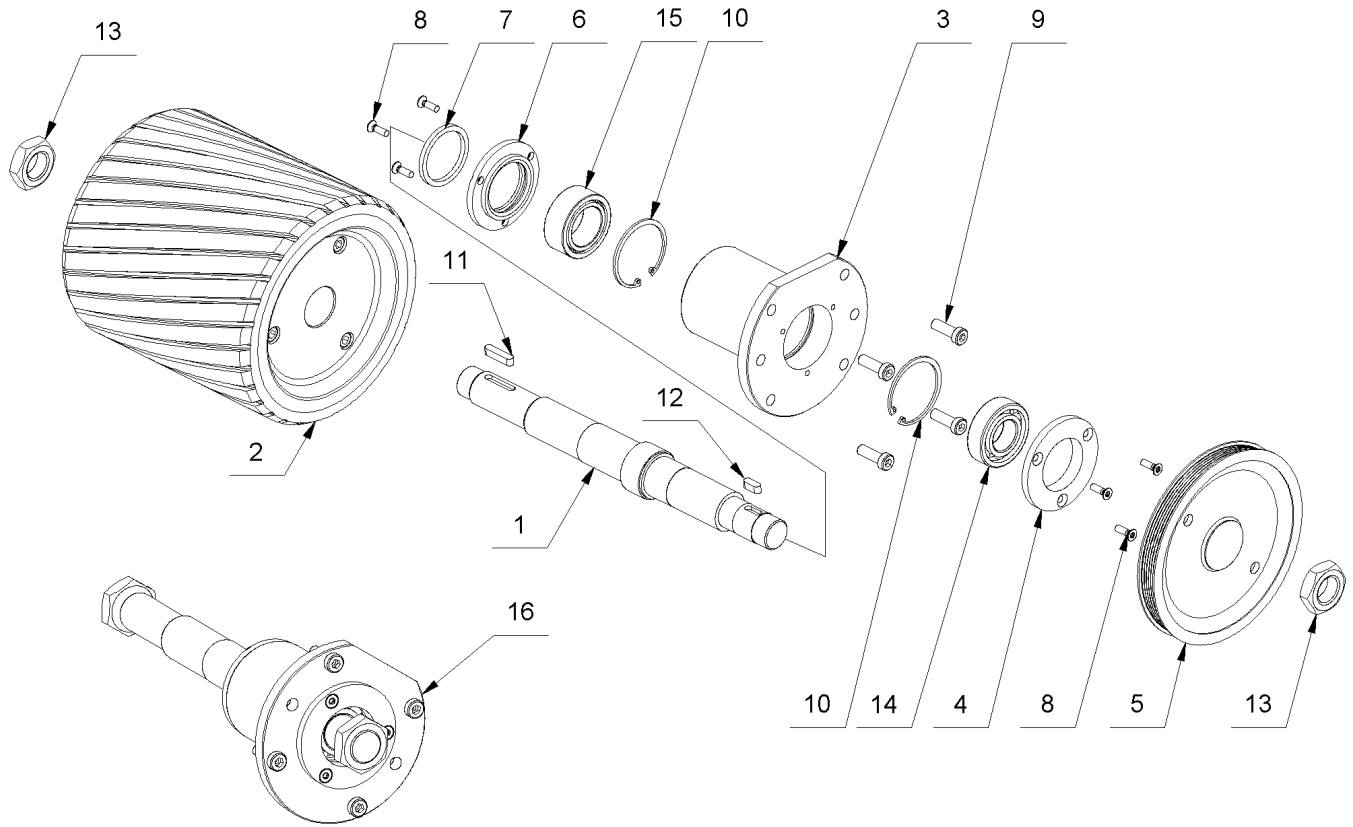


## 5 Pressure regulation

---

Item no.	Article no.	Description	Quantity
1	016327	Regular screw Cobra/ Python	1
2	053314	Label roller printing Cobra 09	1
3	054727	Threaded sleeve Cobra 09	1
4	052615	Cylinder head screw M8x180 DIN 912	1
5	043853	Marking ring black	2

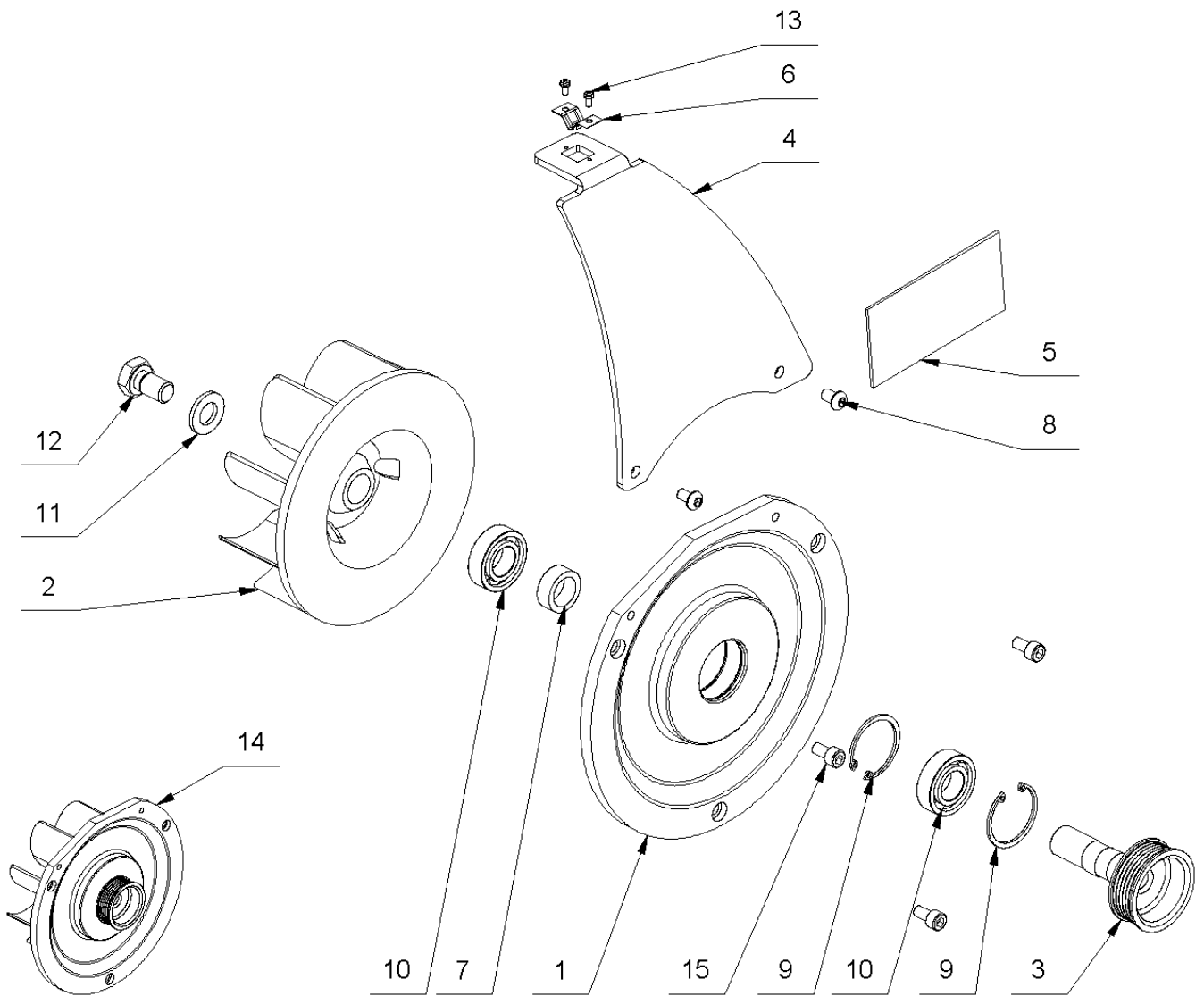
## 6 Sanding drum bearing



## 6 Sanding drum bearing

Item no.	Article no.	Description	Quantity
1	052470	Grinding roller shaft Cobra 09	1
2	013587	Grinding roller for Cobra	1
3	016364	Drum bearing flange Cobra	1
4	052482	Cover Cobra 09	1
5	052466	Belt pulley drum Cobra 09	1
6	016366	Inner drum cover Cobra	1
7	016188	Felt sealing ring Cobra/Viper/Python	1
8	080377	Countersunk screw M5x16 (Torx)	6
9	016365	Cylinder head screw M10x45 DIN 6912	4
10	014857	Safety washer I52 DIN 472	2
11	016361	Nut key 6x6x30 DIN 6885	1
12	016505	Nut key 6x6x16 DIN 6885	1
13	014614	Hexagon nut M24x1,5 DIN936	2
14	018348	Ball bearing 6205 2RS	1
15	016183	Ball bearing Cobra NA49/32 Cobra	1
16	053244	Roller bearing flange cpl.Cobra09/Class.	1

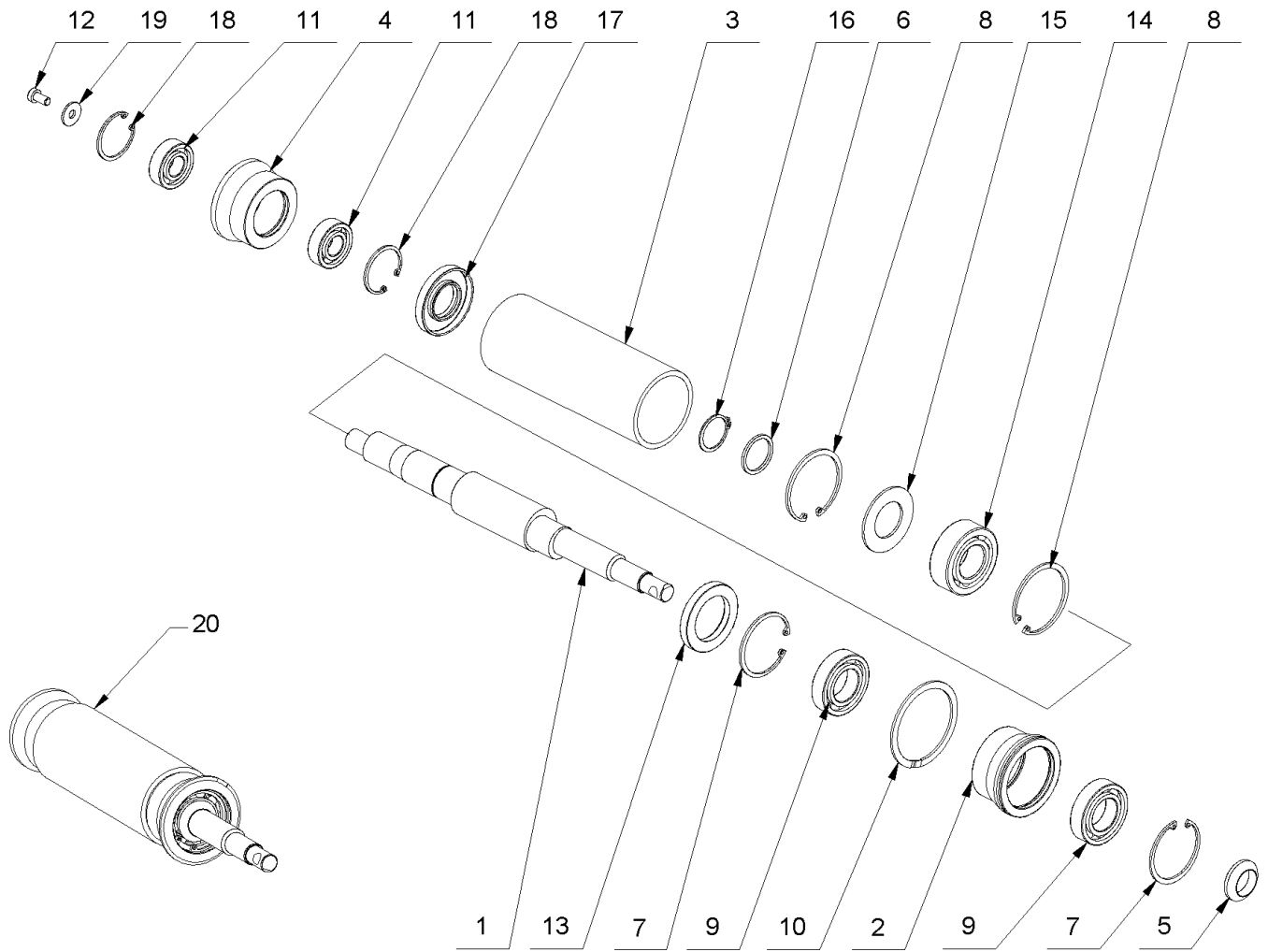
# 7 Fan



## 7 Fan

Item no.	Article no.	Description	Quantity
1	052469	Fan flange Cobra 09	1
2	014599	Fan wheel Cobra	1
3	052467	Belt pulley ventilator Cobra 09	1
4	052480	Belt shroud Cobra 09	1
5	052954	Label tip belt extending Cobra09	1
6	052163	RAPID-spring shackle	1
7	052491	Distance bushing ventilator Cobra 09	1
8	014799	Lens head screw M6x10	2
9	018091	Circlip I35 DIN472	2
10	018359	Ball bearing 6003 2RS	2
11	014830	Washer M12 DIN 125 A	1
12	017455	Hexagon screw M12x 20 DIN 933	1
13	052626	Self-tapping screw M3x6 DIN 75000	2
14	053243	Fan flange cpl. Cobra 09	1
15	014726	Cylinder head screw M6x12 DIN 912	3

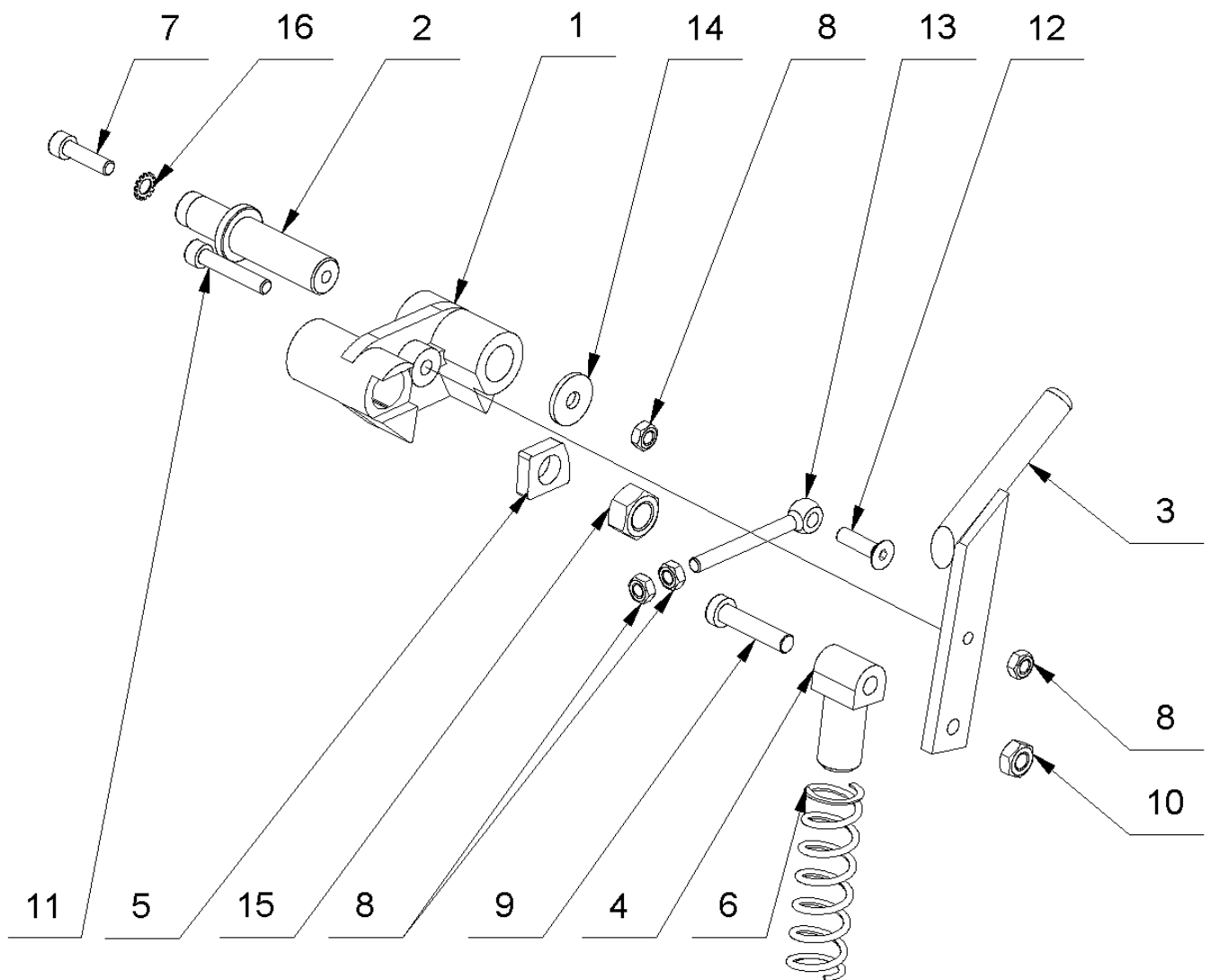
# 8 Tension roller



## 8 Tension roller

Item no.	Article no.	Description	Quantity
1	016189	Tension roller shaft Cobra	1
2	014625	Inner roll Cobra/Viper/Python	1
3	014629	Roller empty Viper / Cobra	1
4	014622	Outside roll Cobra/Viper/Python	1
5	016202	Adjustment ring Cobra/Python	1
6	016360	Washer 25x30x2 DIN 988	1
7	014855	Safety washer I47 DIN 472	2
8	014857	Safety washer I52 DIN 472	2
9	014704	Ball-bearing 6005 2RSH	2
10	166323	Safety washer XDNS 60-X	1
11	018351	Ball bearing 6202 2RS	2
12	055830	Cylinder head screw M6x12 DIN 7984	1
13	014628	Inner packing ring Vip/Cob/Pyth 35-52-10	1
14	016198	Swivel bearing 2205 2RS	1
15	043833	Lock washer DIN 137 - B27	1
16	014852	Safety washer A25 DIN 471	1
17	014634	Shaft seal Vip/Cob/Pyth 25-52-10	1
18	018091	Circlip I35 DIN472	2
19	017724	Washer DIN 9021 6,4x18x1,6	1
20	016845	Tension Roll new complete Cobra	1

## 9 Roller clamo

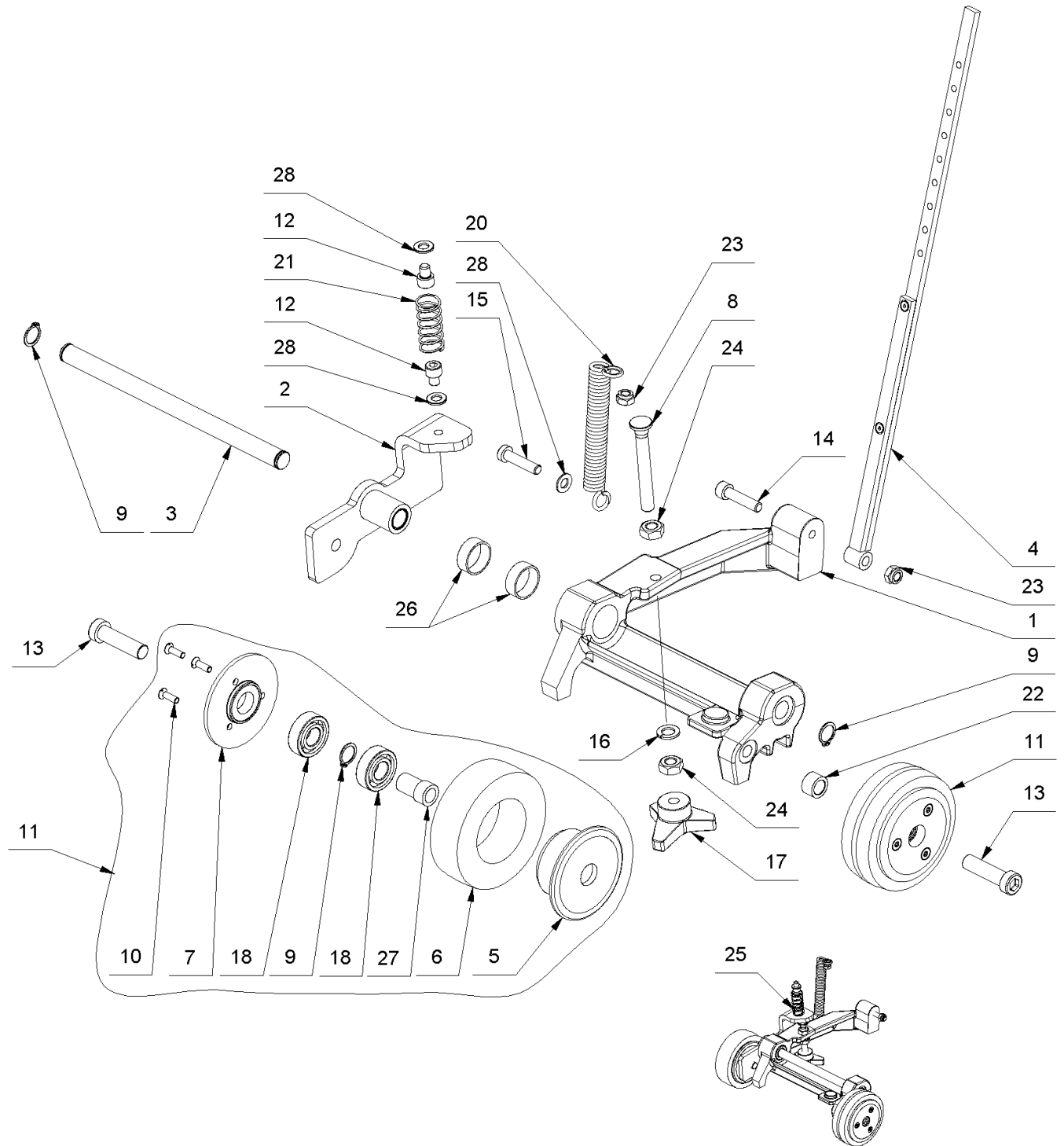




## 9 Roller clamo

Item no.	Article no.	Description	Quantity
1	016338	Tension roller holder Cobra/Python	1
2	016345	Mounting bolt Cobra/Viper/Python	1
3	053223	Clamping Lever Cobra 09	1
4	016492	Pressure piece Cobra/Viper/Python	1
5	016190	Adjusting plate Cobra/Python	1
6	016179	Pressure spring 30x100x3,5	1
7	014736	Cylinder head screw M8x30 DIN 912	1
8	014810	Hexagon nut M 8 DIN 934 I6I/I8I	4
9	016340	Cylinder head screw M10x45 DIN 6912	1
10	014811	Hexagon nut M 10 DIN 934	1
11	016343	Cylinder head screw M10x45 DIN 6912	1
12	017116	Countersunk screw M8x30 10.9 DIN 7991	1
13	016347	Eye screw M8x80 special	1
14	043902	Washer 8,4x30 DIN 522	1
15	014620	Lock nut M16 DIN 934	1
16	016321	Spring washer A 8,4 DIN 6798	1

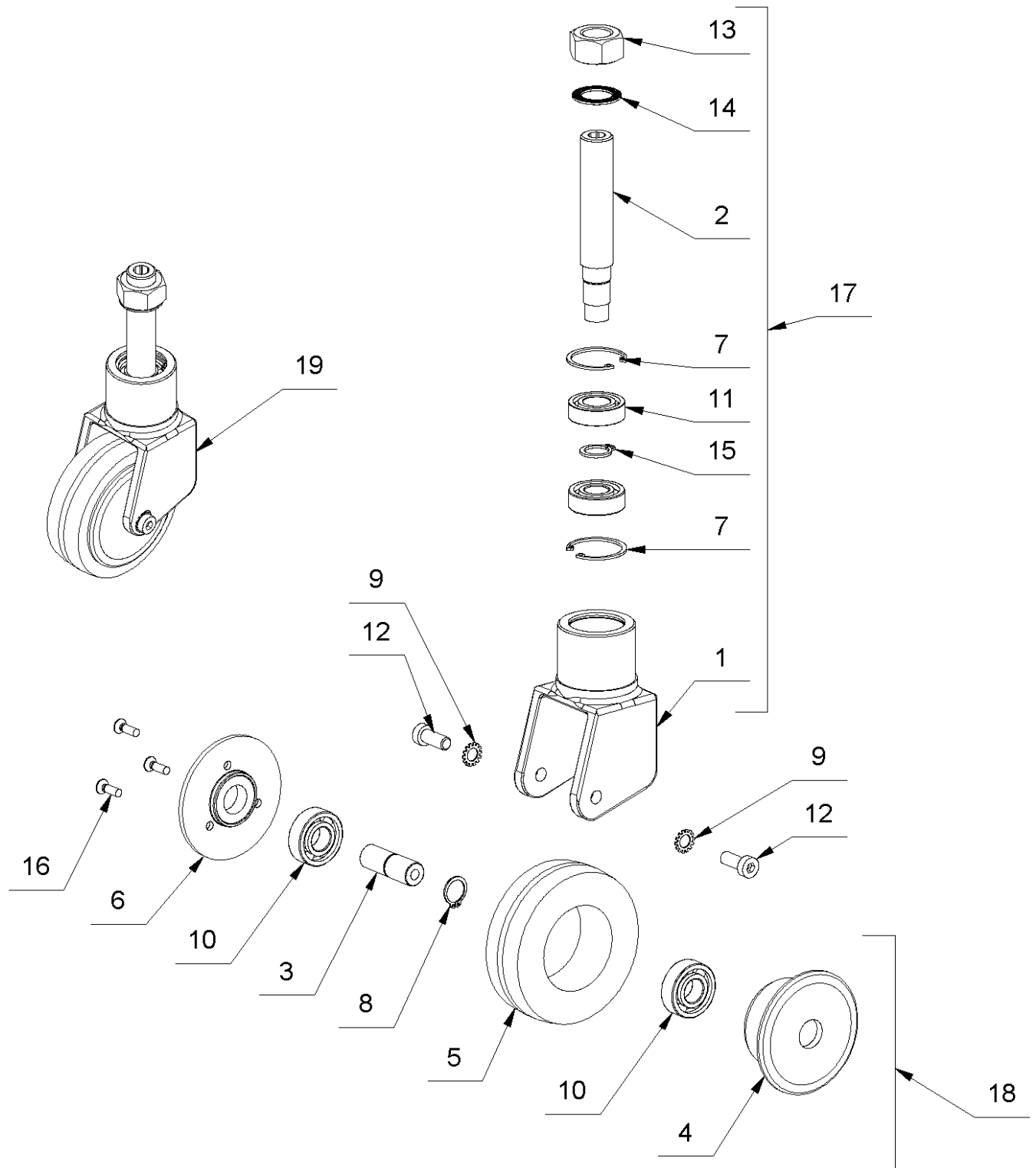
# 10 Carriage



## 10 Carriage

Item no.	Article no.	Description	Quantity
1	052471	Gear lever Cobra 09	1
2	052472	Rocker arm Cobra 09	1
3	052473	Chassis axis Cobra 09	1
4	053113	Tow bar lower part cpl. Cobra 09	1
5	016415	Steering and wheel rim Cobra/Viper/Pytho	1
6	016171	Vulcolan tyre Cobra/Viper/Python	1
7	016416	Wheel cover Cobra/Viper/Python	1
8	053287	Hinged foot Cobra 09	1
9	018101	Safety washer A15 DIN 471	3
10	016701	ZZZCountersunk screw see 16312	3
11	037082	Wheel compl.Cobra/Viper/Python	1
12	014732	Cylinder head screw M8x10 DIN 912	2
13	056142	Cylinder head screw M12x50 DIN 6912	2
14	014737	Cylinder head screw M8x35 DIN 912	1
15	016430	Cylinder head screw M8x35 DIN 6912	1
16	043831	lock washer 10 DIN 128	1
17	037940	Three-star grip nut D63 x M10	1
18	018351	Ball bearing 6202 2RS	2
20	016175	Tension spring Cobra	1
21	059669	Pressure spring VD-212C / 19,80x44x1,60	1
22	016446	Distance bushing 18x12x11 Cobra	1
23	014816	Hexagon nut M8 DIN 985	2
24	014811	Hexagon nut M 10 DIN 934	2
25	053246	Chassis cpl. Cobra 09	1
26	052953	Bushing 2510	2
27	016422	Socket for wheel axle Cobra/Viper/Python	1
28	014828	Washer M8 DIN 125 A	3

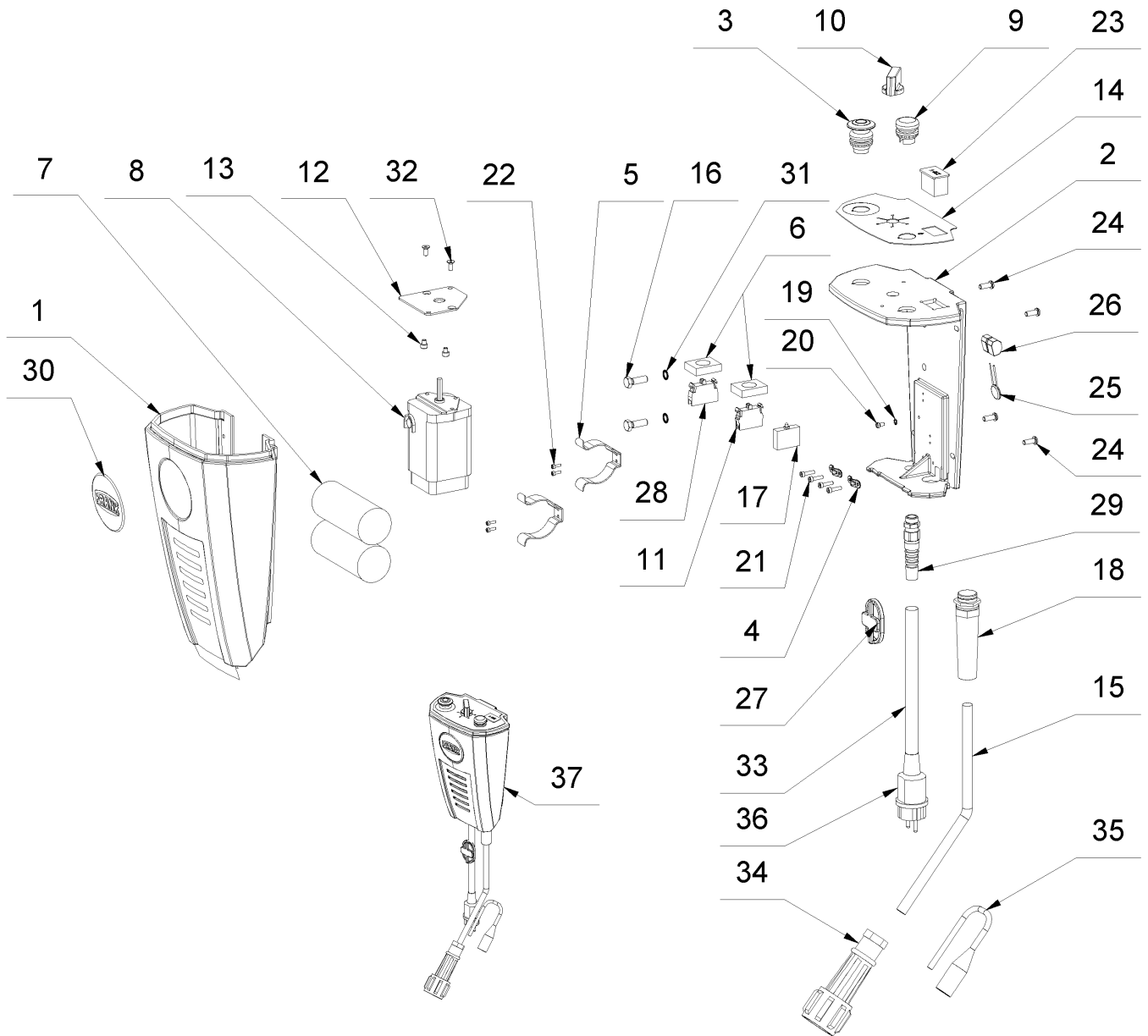
# 11 Caster



## 11 Caster

Item no.	Article no.	Description	Quantity
1	016406	Steering wheel fork Cobra/Viper/Python	1
2	016410	Casting shaft Cobra/Python	1
3	014601	Caster wheel Cobra/Viper/Python	1
4	016415	Steering and wheel rim Cobra/Viper/Pytho	1
5	016171	Vulcolan tyre Cobra/Viper/Python	1
6	016416	Wheel cover Cobra/Viper/Python	1
7	018091	Circlip I35 DIN472	2
8	018101	Safety washer A15 DIN 471	1
9	016321	Spring washer A 8,4 DIN 6798	2
10	018351	Ball bearing 6202 2RS	3
11	018359	Ball bearing 6003 2RS	1
12	016413	Cylinder head screw M6x150 DIN 912	2
13	039981	Hexagon nut M20x1,5 DIN 934	1
14	074979	Washer M20	1
15	014850	Safety washer A17 DIN 471	1
16	016312	Countersunk bolt M5x16 DIN 7991 10.9	3
17	047064	Steering wheel fork without wheel Cobra	1
18	048583	Steering Wheel compl	1
19	016380	Steering wheel with fork cpl.	1

# 12 Cockpit



## 12 Cockpit

Item no.	Article no.	Description	Quantity
1	052373	Cover Cockpit Cobra 09	1
2	052368	Support cast Cockpit Cobra 09	1
3	052443	Safety switch	1
4	015211	Cable clamp Motor Duro 2.0	2
5	052434	Spring clamps Cobra 09	2
6	017503	Adapterattachment	2
7	043843	Start Capacitor 60 µF Ducati	2
8	043869	Switch NR152678 Cobra	1
9	052444	Pushbutton Cobra 09	1
10	043875	Switch Knob	1
11	017505	Contact element shut NO	1
12	053073	Adapting plate f.switch Cobra 09	1
13	018276	Cylinder head screw M5x6 DIN 912	2
14	130515	Slide display orange Cobra 09	1
15	053025	Control line Cobra 09	1
16	014775	Hexagon bolt M 8x25 DIN 933	2
17	038638	LED for signal lamp	1
18	053004	Screw connection w.bending prot. M25x1,5	1
19	017663	Tooth lock washer 4.3 Form A DIN 6797	1
20	017473	Cylinder head screw M4x8 DIN 84 brass	1
21	017743	Cylinder head screw M4x16 DIN 912	4
22	014715	Cylinder head screw M3x10 DIN 912	4
23	078604	Digital meter with large clip Cobra09	1
24	017552	Lens head screw M 6x16 ISO 7380	4
25	056885	Varistor Cobra 09	1
26	050146	Connecting terminal 2-fold	2
27	067749	cable retention	1
28	017507	Contact element open NC	1
29	038585	Strain relief w.bending prot.M16x1,5	1
30	137491	Label Frank 3D Ø80mm	1
31	014860	Schnorr Washer M8	2
32	017747	Countersunk screw M5x12 DIN 7991	2
33	053026	El.cord 3G2,5x0,4m grey w.plug	1
34	052431	Jack 7pol Cobra 09	1

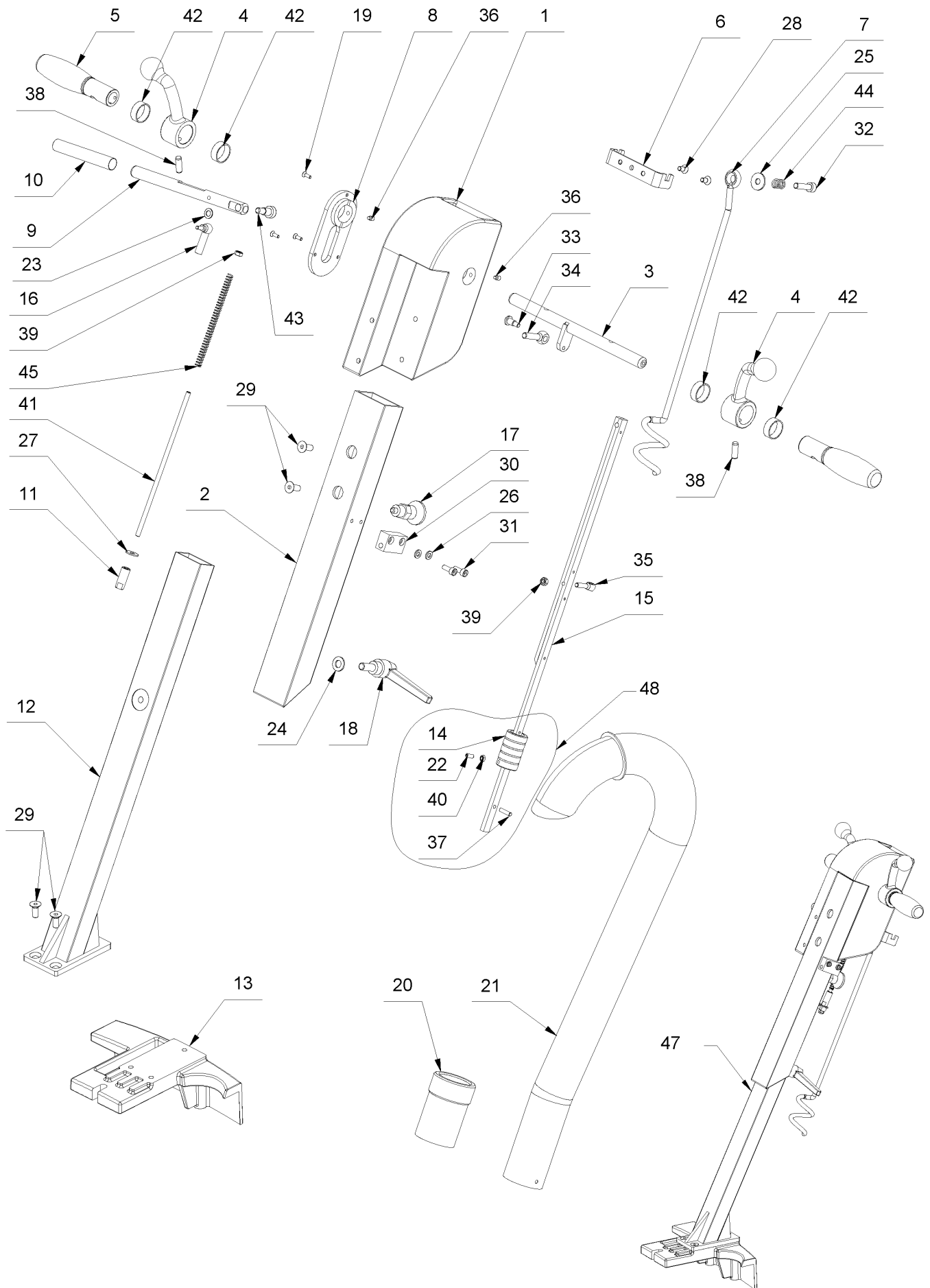
## 12 Cockpit

---

Item no.	Article no.	Description	Quantity
35	052583	Jack Cobra 09	1
36	039203	Plug grey	1
37	060280	Cockpit cpl. 230V/50Hz Cobra 09 Pallmann	1



# 13 Handle



## 13 Handle

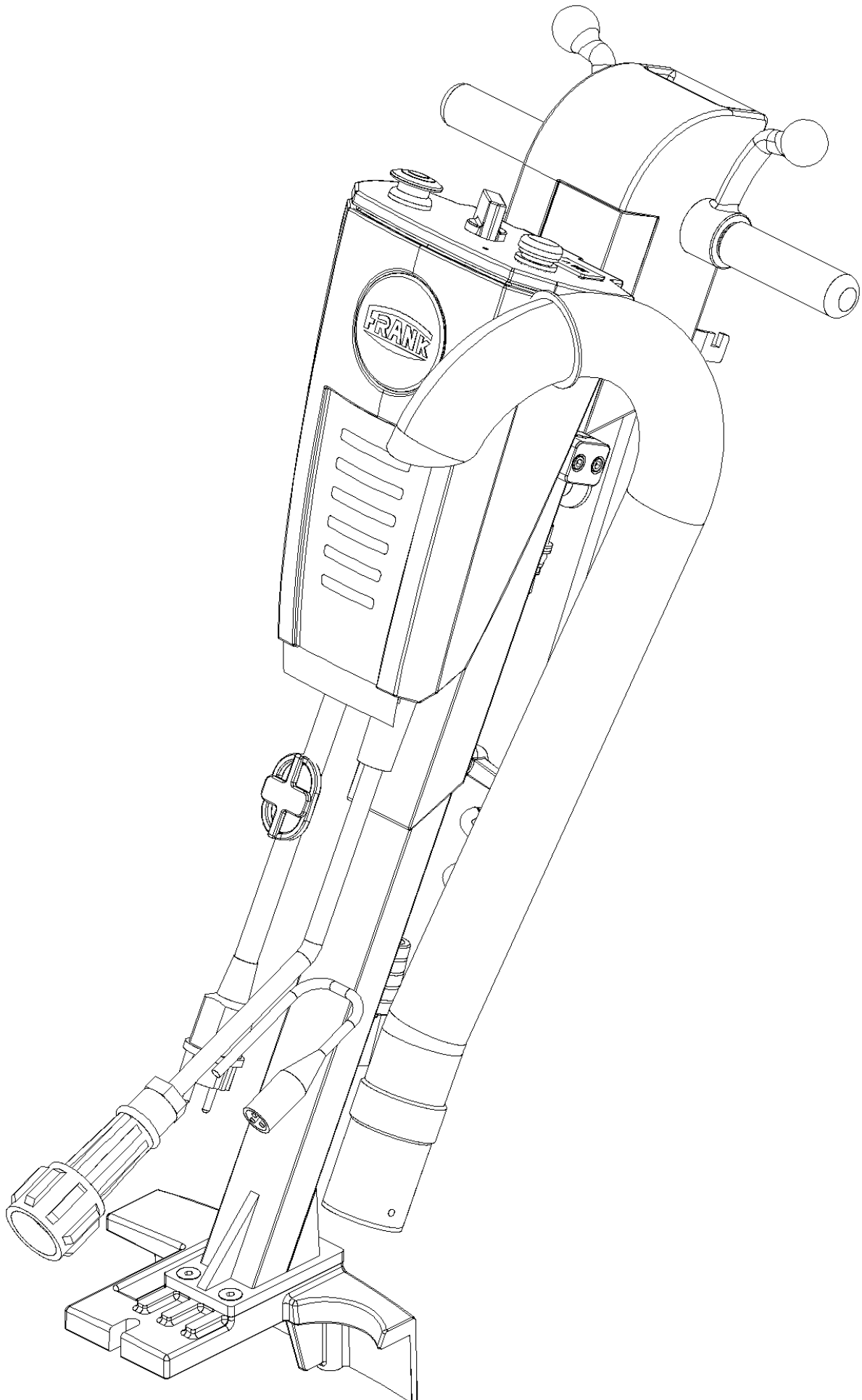
Item no.	Article no.	Description	Quantity
1	052375	Cover grip Cockpit Cobra 09	1
2	052611	Outside tubeCobra 09	1
3	052629	Shaft f. lowering device Cobra 09	1
4	052538	Lever to operate Cobra 09	2
5	081808	Grip with coating Cobra 09	2
6	016521	Cable support Cobra/Viper/Python	1
7	014548	Cable arm long Viper	1
8	052486	Bearing cover Cobra 09	1
9	052485	Lever Cobra 09	1
10	082068	PVC-hand grip Wega black	1
11	054529	Adjustment nut Cobra 09	1
12	052600	SG Inside tubeCobra 09	1
13	052390	Handle bracket Cobra 09	1
14	053105	Box tow bar Cobra 09	1
15	055870	Tow bar upper part soft cpl. Cobra 09	1
16	016632	Angle joint Cobra/Viper/Python	1
17	037953	Fixing pin	1
18	037952	Clamping lever GN300-92-M10-32 SW	1
19	017703	Countersunk screw M4x12 DIN 7991 10.9	3
20	062045	Suction nozzle Dust / Cobra09	1
21	052684	Dust pipe Staubrohr Cobra 09	1
22	053418	Elastic pressure pieceM6 M5 NLM 0300-0	1
23	017656	Shim ring 8x14x1 DIN 988	1
24	014829	Washer M10 DIN 125 A	1
25	018737	Washer 8,4x24x2 DIN 9021 galv.	1
26	014827	Washer M6 DIN 125 A	2
27	017724	Washer DIN 9021 6,4x18x1,6	1
28	014755	Countersunk screw M6x12 DIN 7991 10.9	2
29	014760	Countersunk screw M8x20 DIN 7991 10.9	5
30	054369	mounting plate Cobra 09	1
31	014729	Cylinder head screw M 6x16 DIN 912	2
32	014736	Cylinder head screw M8x30 DIN 912	1
33	052489	Flat head screw hardened Cobra 09	1
34	047216	Eye screw M8x40 DIN 444	1

## 13 Handle

Item no.	Article no.	Description	Quantity
35	074815	Ring screw M6x30	1
36	014792	Headless pin M6x10 DIN 915	2
37	018135	Cylindrical pin 5x 20 DIN 7	1
38	053824	cylindrical pin 8x 24 DIN 7979	2
39	014809	Hexagon nut M6 DIN 934	2
40	017773	Hexagon nut M5 DIN 934	1
41	054528	Control rod Cobra 09	1
42	052953	Bushing 2510	4
43	052936	Screw M8x12 DIN 7379	1
44	043827	Pressure spring 13x20x1,5	1
45	016638	Pressure spring 9x167x1,2	1
47	053248	Handle cpl. Cobra 09	1
48	053419	Sliding collar Cobra 09	1

## 14 Handle compl.

---

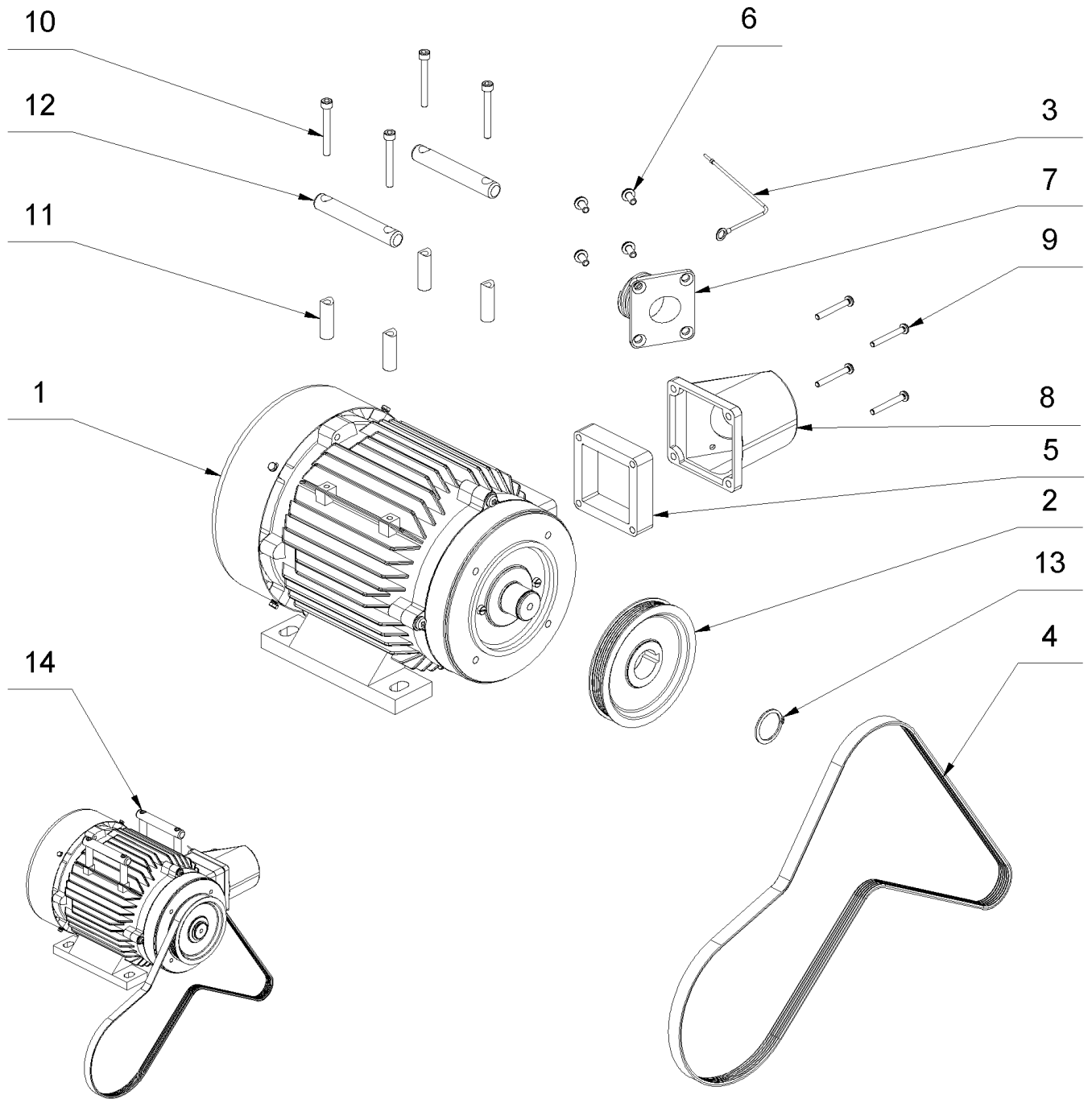


## 14 Handle compl.

---

Item no.	Article no.	Description	Quantity
1	078773	Handle with cockpit cpl. Cobra 09 FRANK	1
2	062845	Handle with cockpit cpl. Cobra 09 CH	1

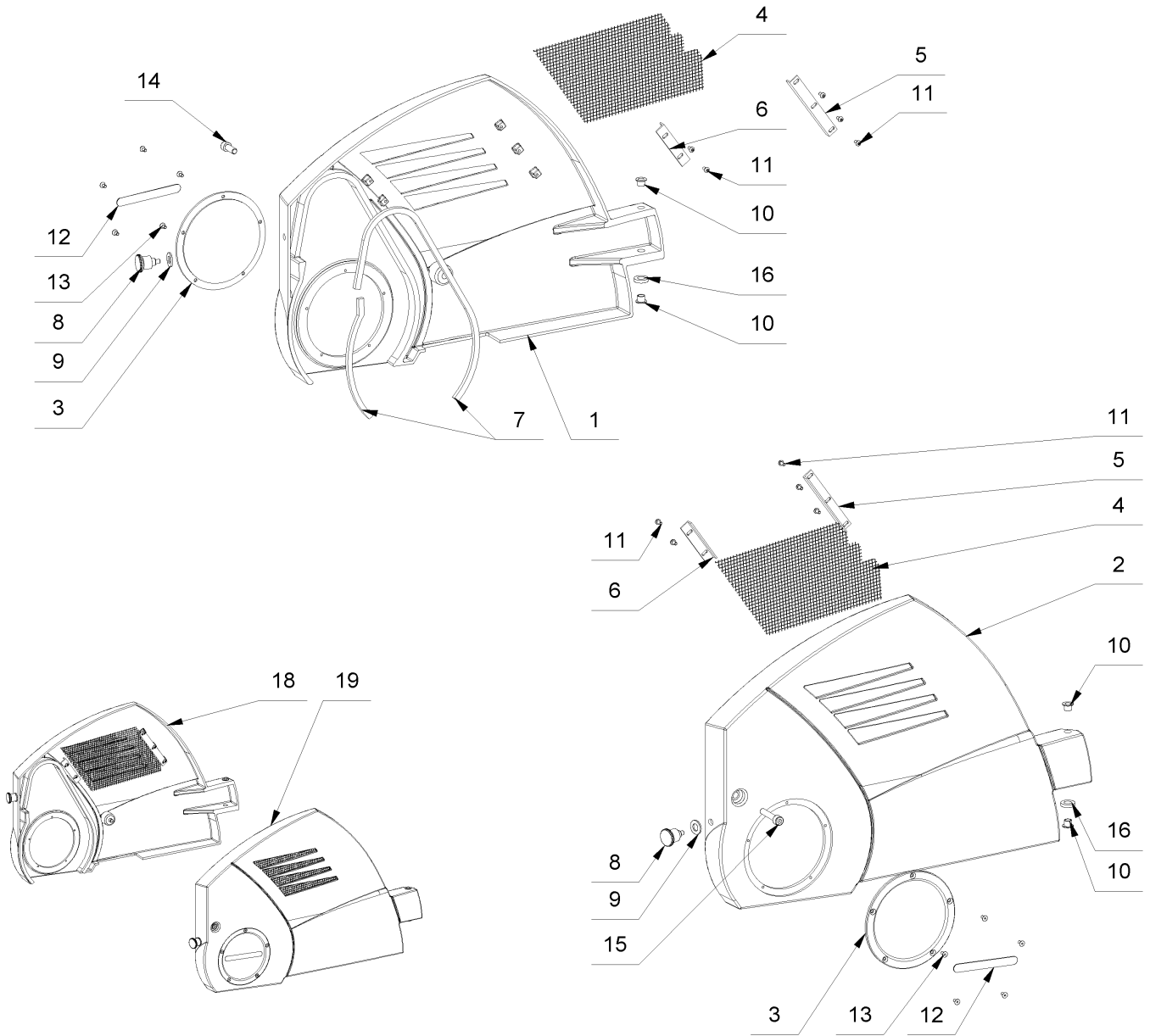
# 15 Motor



## 15 Motor

Item no.	Article no.	Description	Quantity
1	052419	Motor 2,5kW/50Hz/230V Cobra 09	1
2	052462	Belt pulley motor Cobra 09	1
3	053485	Cable set Motor Cobra 09	1
4	052417	Poly-v-belt 6PJ 1194 Cobra 09	1
5	052613	Distance piece Cobra 09	1
6	in 052419	Cylinder head bolt	1
7	052420	Mounted connector 7-pol Cobra 09	1
8	052433	Adapter 7pol Cobra 09	1
9	052624	Screw self-tapping M5x40 DIN 7500	4
10	018262	Cylinder head screw M6x50 DIN 912	4
11	053048	Handle motor part1 Cobra 09	4
12	053049	Handle motor part2 Cobra 09	2
13	043893	Safety washer A28 DIN 471	1
14	053250	Motor cpl.2,5kW/230V/50Hz Cobra 09	1

# 16 Cover

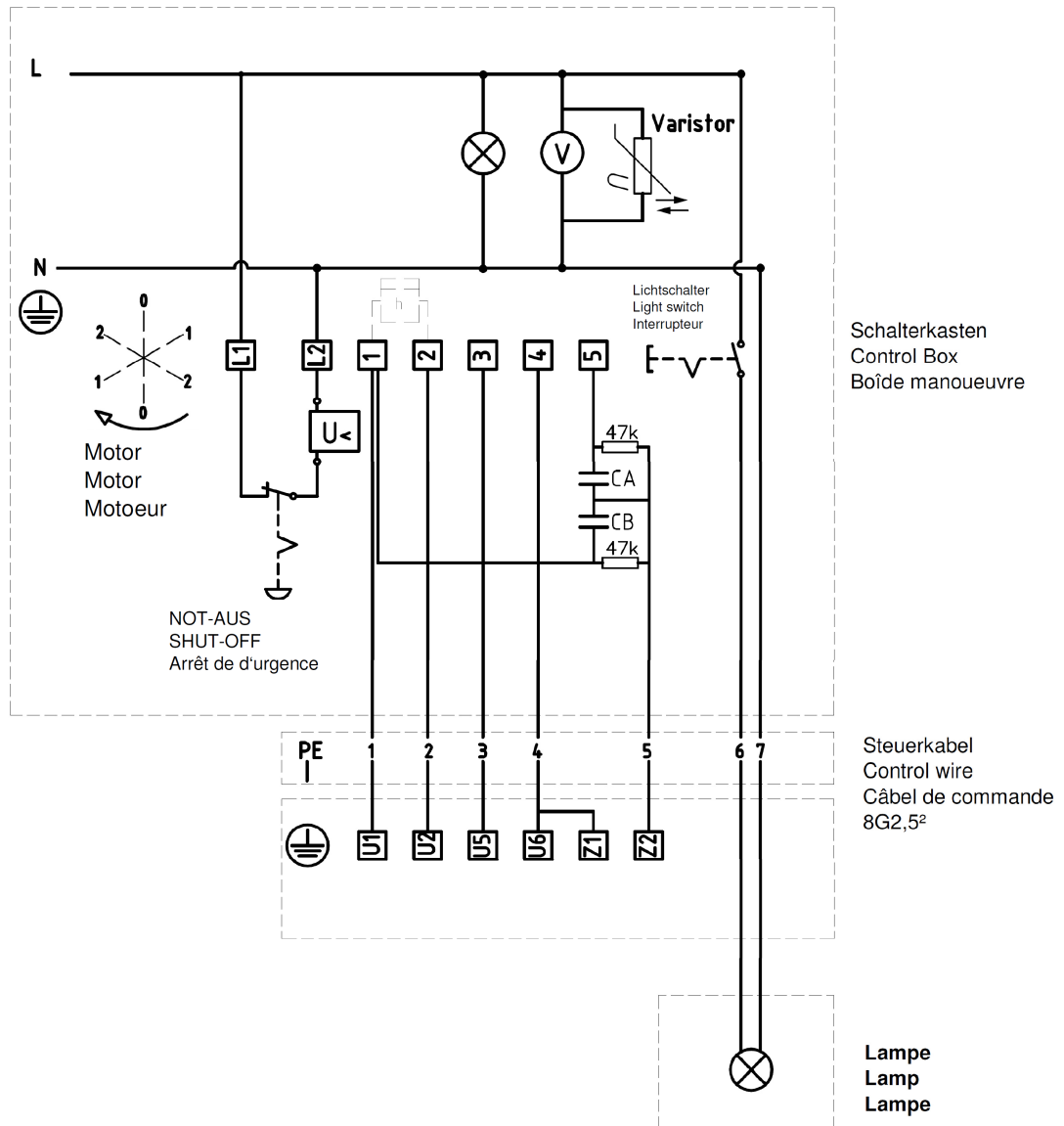




## 16 Cover

Item no.	Article no.	Description	Quantity
1	052361	Cylinder door right Cobra 09	1
2	052364	Belt door left Cobra 09	1
3	052595	Door panel Cobra 09	2
4	060283	WirefenceCobra 09 Pallmann	2
5	053460	Bracket 111mm Cobra 09	2
6	053459	Bracket 72mm Cobra 09	2
7	056533	Sealing set cover right 51/19cm	2
8	052440	Arresting bolt	2
9	014829	Washer M10 DIN 125 A	2
10	052490	Bushing BB 08085	4
11	056488	Lens head screw M4x 8	10
12	129933	Label Frank tec inside orangeCobra09	1
13	018324	Countersunk screw M4x8 DIN 7991 10.9	10
14	014734	Cylinder head screw M8x20 DIN 912	1
15	014738	Cylinder head screw M 8x40 DIN 912	1
16	053482	Plastic spacer 10,5x20x4 black	2
18	060275	Door on the right cpl. Cobra 09 Pallmann	1
19	060277	Door on the left cpl. Cobra 09 Pallmann	1

# 17 Circuit diagram



## 17 Circuit diagram

---

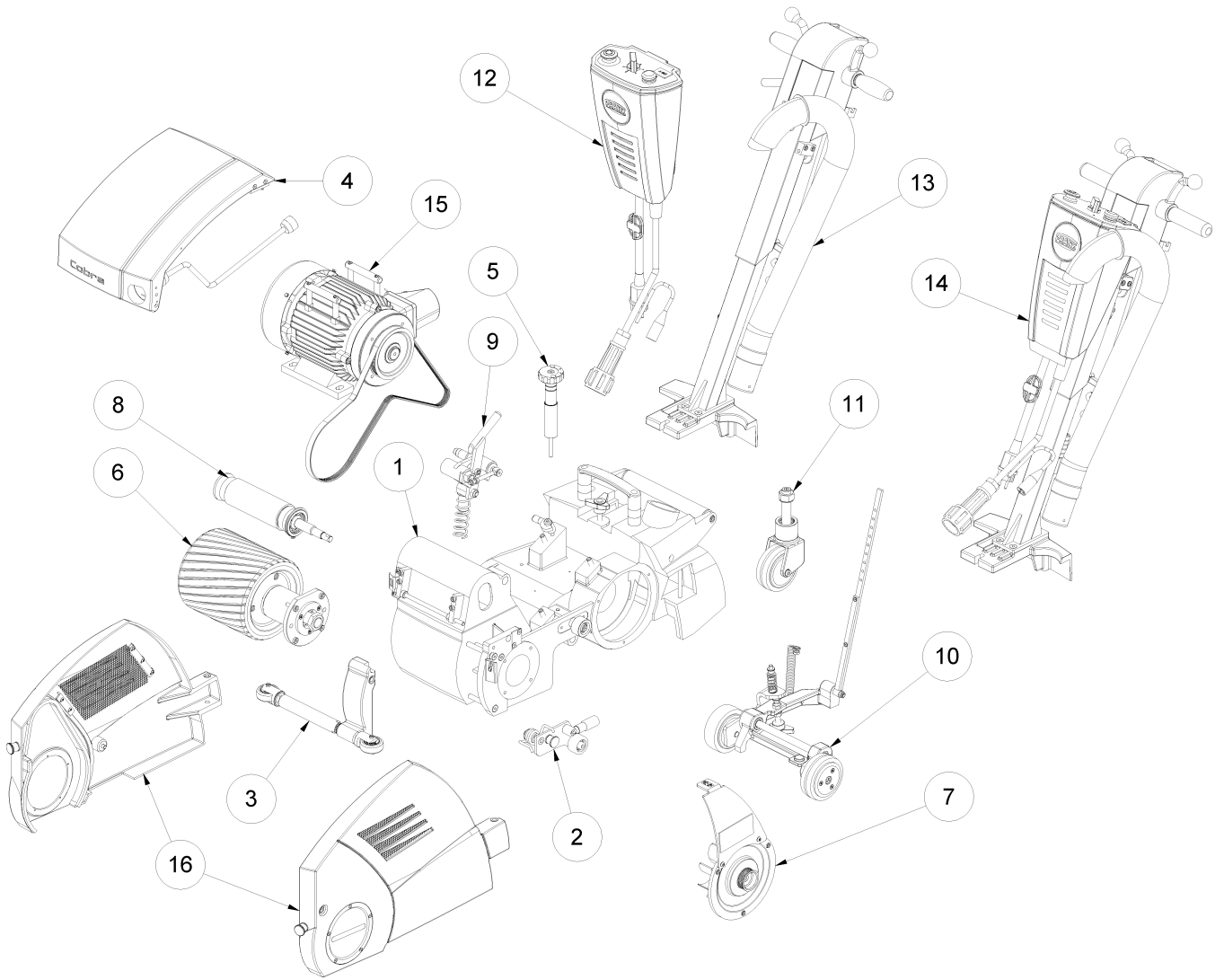
## 18 Tool kit #060281

Article no.	Description	Quantity
017601	Open-end wrench SW17	1
016842	Open-ended wrench SW10	1
016799	Open-end wrench SW13	1
016800	Open-end wrench SW19	1
018635	Open-end wrench SW24	1
043826	Double open-end wrench SW30/36	1
017027	Hexagonal screw key SW4 DIN 911	1
014956	Hexagonal screw key SW5 DIN 911	1
014957	Hexagonal screw key SW6 DIN 911	1
014959	Hexagonal screw key SW8 DIN 911	1
018641	Hexagonal screw key SW10 DIN 911	1
060253	Tool bag orange	1
016813	Multi clip URS/Gecko/Cobra/Viper	1

## 19 Accessories

Article no.	Description	Quantity
012624	CORUNDUM SANDING BELT 200 X 750 MM K 36	1
012627	CORUNDUM SANDING BELT 200 X 750 MM K 60	1
012629	CORUNDUM SANDING BELT 200 X 750 MM K 100	1
060282	extension cord3G2,5x12,5 orange/Pallmann	1
060602	Extension cord 3G2,5x12 Schuko AUS 15A	1
062062	Ext.cord 3G2,5x12,5orangeUK230V/Pallm	1
015315	Hearing protectors	1
016732	Fine dust mask Gecko/URS/Cobra	1
052441	DUST BAG BAG IN BAG COBRA 09 PALLMANN	1
071729	DUST BAG STANDARD COBRA 09 PALLMANN	1
052442	SINGLE USE DUST BAG COBRA 09	1
062045	Suction nozzle Dust / Cobra09	1
074585	Poly V Belt 6PJ 1285 Cobra 09	1
048681	Wheel adjustment aid compl. Viper/Cobra	1
053131	Halogen lamp cpl.230V Cobra 09	1
080442	Retrofit set 2.tension roller Cobra09	1

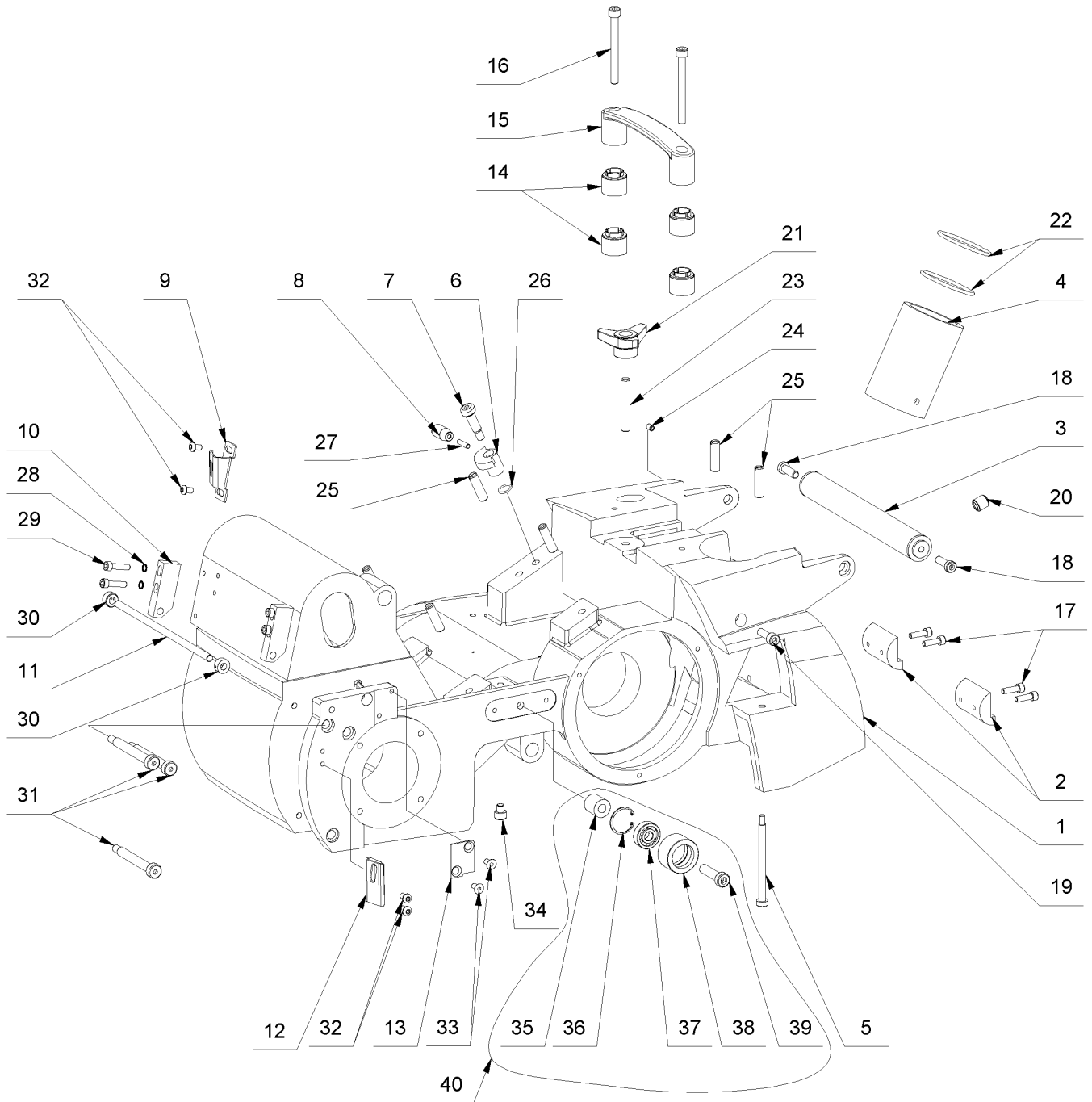
## 2 Frank Cobra 09 230V EU (0080/2011 - 0418/2012)



## 2 Frank Cobra 09 230V EU (0080/2011 - 0418/2012)

Item no.	Article no.	Description
1	02_01_062228	Housing
2	01_02_053277	Belt Holding Fixture
3	01_03_062228	Handle
4	01_04_062228	Cover
5	01_05_062228	Pressure regulation
6	01_07_062228	Sanding drum bearing
7	01_08_062228	Fan
8	01_09_016845	Tension roller
9	01_10_062228	Roller clamo
10	01_11_053246	Carriage
11	01_12_016380	Caster
12	01_13_078772	Cockpit
13	01_14_053248	Handle
14	01_15_054511	Handle compl.
15	01_16_053250	Motor
16	01_17_062228	Cover
17	01_18_062228	Circuit diagram
18	01_19_060281	Tool kit #060281
19	01_20_062228	Accessories

# 1 Housing





# 1 Housing

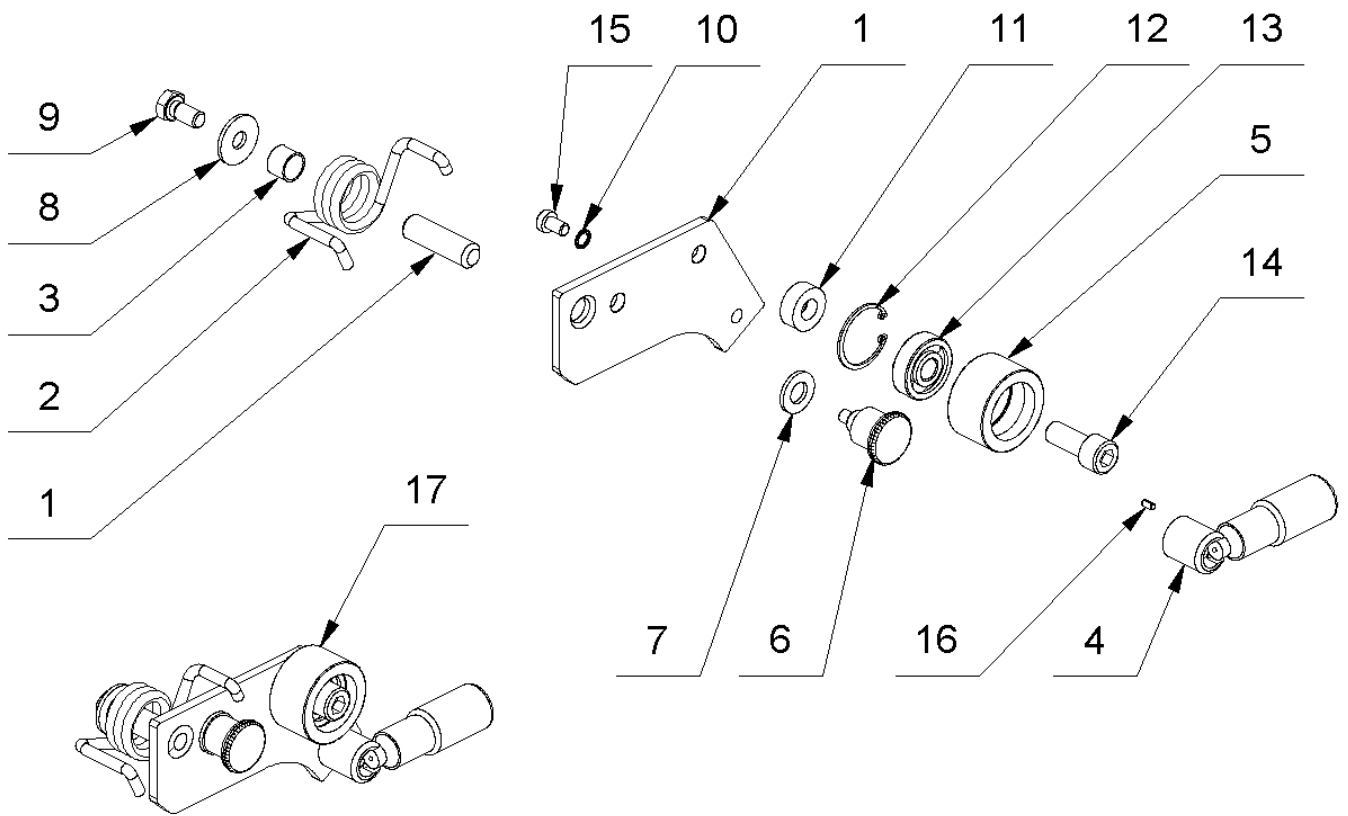
Item no.	Article no.	Description	Quantity
1	052299	Chassis Cobra 09	1
2	052689	Edge protection Cobra 09	2
3	052507	ZB Carry handle behind Cobra 09	1
4	052593	Sock dust pipe Cobra 09	1
5	052627	Screw M 6x90 DIN 7379	2
6	053077	Bar for motor Cobra 09	1
7	053030	Screw M10x25 DIN 7379	1
8	053426	Cylindr.knob Cobra 09	1
9	053922	Right door lock Cobra 09	1
10	053114	Hood angle Cobra 09	2
11	059611	Shaft Cobra 09	1
12	053921	Left door lock Cobra 09	1
13	053221	Stop plate stop bolt Cobra 09	1
14	056814	Distance bushing for U-handle	4
15	056811	Handle grip GN628 150mm	1
16	018249	Cylinder head screw M8x80 DIN 912	2
17	018706	Lens head screw M6x20	4
18	016365	Cylinder head screw M10x45 DIN 6912	2
19	014735	Cylinder head screw M8x25 DIN 912	1
21	037940	Three-star grip nut D63 x M10	1
22	052952	O-Ring 57x3	2
23	053041	Stud bolt M10x45 DIN 835	1
24	049055	Headless pin M6x10 DIN 914	1
25	052452	Shaft screw M10x35 DIN 427	6
26	053468	O-Ring 12x1	1
27	018203	Headless pin M5x20 DIN 913	1
28	014859	Schnorr washer M6	4
29	017678	Cylinder head screw M6x30 DIN 912	4
30	059599	Adjusting ring Ø 8 DIN 705 A	2
31	052451	Screw M 8x70 DIN 7379	3
32	014799	Lens head screw M6x10	4
33	014755	Countersunk screw M6x12 DIN 7991 10.9	2
35	052488	Distance bushing guide pulley Cobra 09	1
36	053318	Circlip I30 DIN 472	1

## 1 Housing

---

Item no.	Article no.	Description	Quantity
37	018353	Ball bearing 6200 2RS HS800	1
38	052468	Tension-/guide pulley Cobra 09	1
39	043915	Cylinder Head Bolt M10x 40 DIN 6912	1
40	053280	Pulley for belt cpl. Cobra 09	1

## 2 Belt Holding Fixture

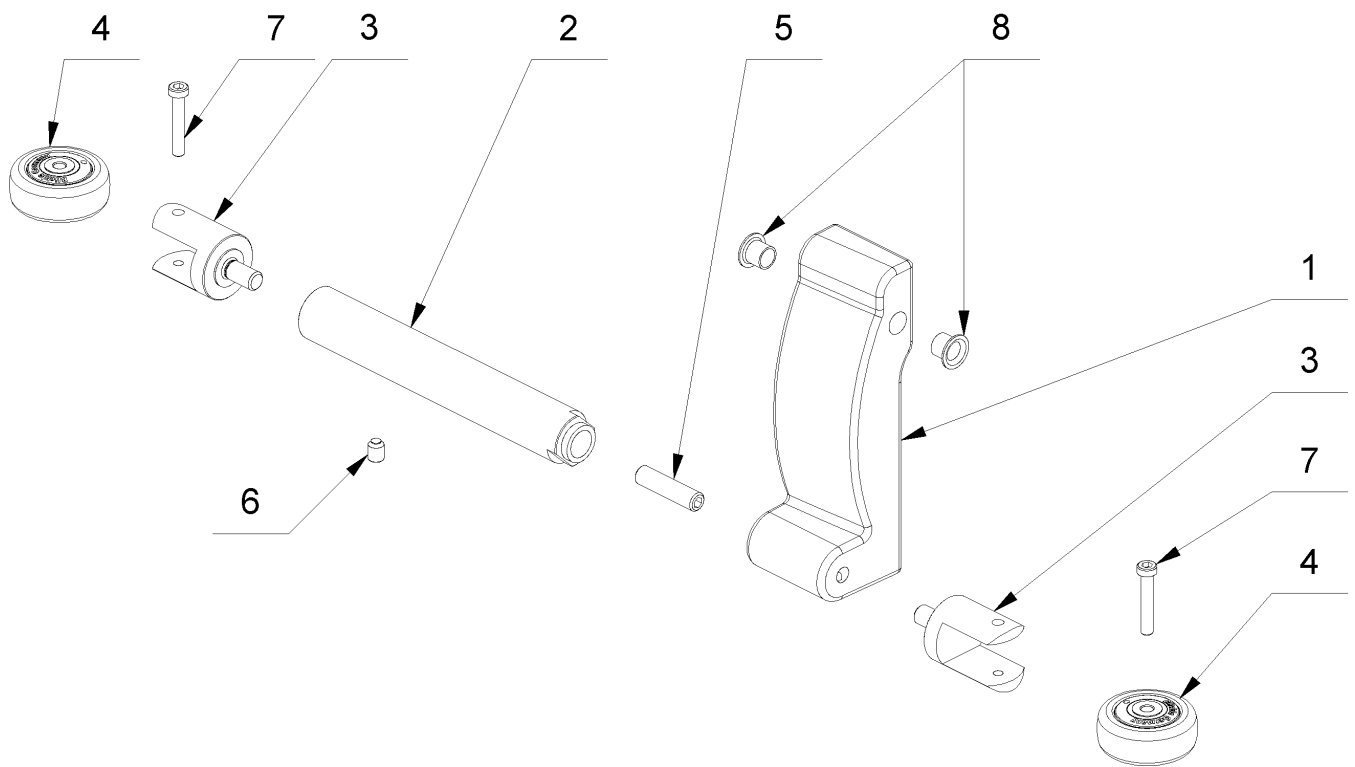


## 2 Belt Holding Fixture

Item no.	Article no.	Description	Quantity
1	088592	Tensioner roller holder Frank Cobra 09	1
2	064322	Lag spring 5mm Cobra 09 Cobra 09	1
3	018680	ZZZBushing 1210ZZZ	1
4	052450	Handle Cobra 09	1
5	052468	Tension-/guide pulley Cobra 09	1
6	052440	Arresting bolt	1
7	014829	Washer M10 DIN 125 A	1
8	018737	Washer 8,4x24x2 DIN 9021 galv.	1
9	018969	Hexagonal screw M 8x 16 DIN 933	1
10	014859	Schnorr washer M6	1
11	052690	Distance bushing 21x10x8 Cobra 09	1
12	053318	Circlip I30 DIN 472	1
13	018353	Ball bearing 6200 2RS HS800	1
14	049654	Cylinder head screw M10x25 DIN 912	1
15	014725	Cylinder head screw M6x10 DIN 6912	1
16	053901	Clamping sleeve 3x6 DIN 7346	1
17	053277	Belt tensioner cpl. Cobra 09	1

### 3 Handle

---



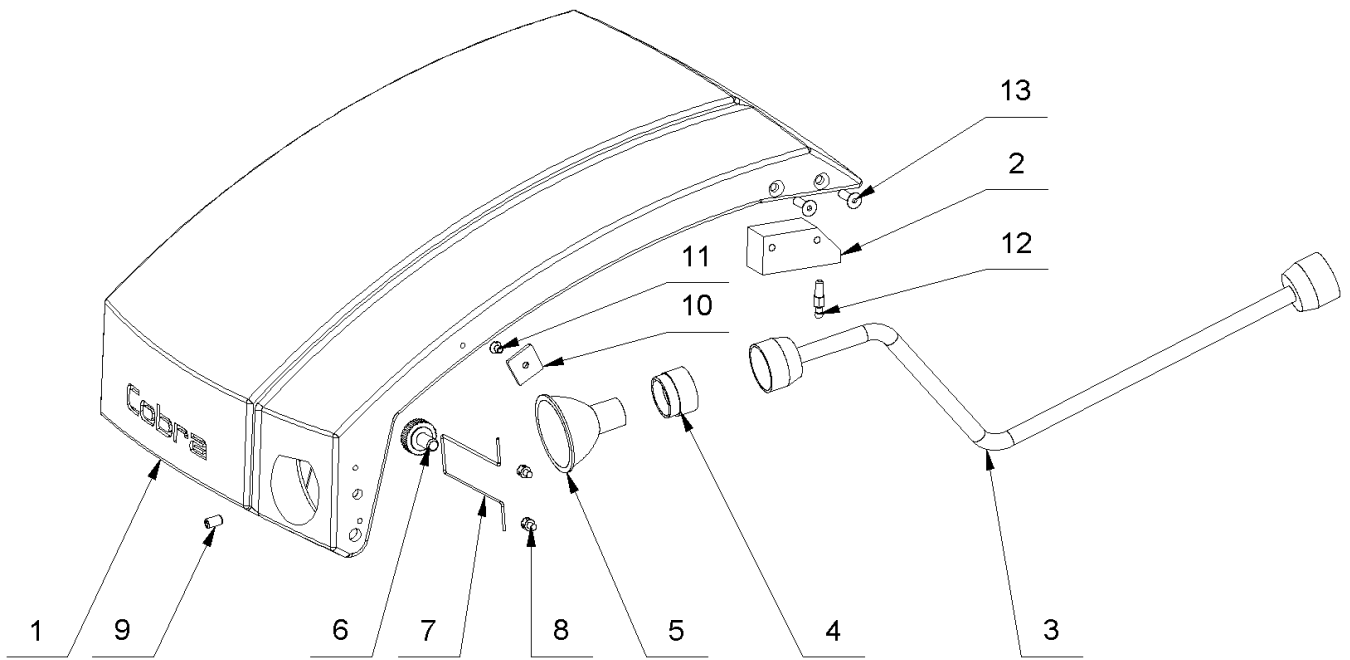
### 3 Handle

---

Item no.	Article no.	Description	Quantity
1	066944	Handle bracket M16 Cobra 09	1
2	053003	SG Handle in front Cobra 09	1
3	052461	Halter reel projection Cobra 09	2
4	060072	Barrier distance roll grey Cobra 09	2
5	053076	headless pin M10x45 DIN 913 blank	1
6	053104	Ball screw pressure Cobra 09	1
7	053071	Cylinder head screw M6x35 DIN 6912	2
8	018682	Bushing BB 1012	2

## 4 Cover

---



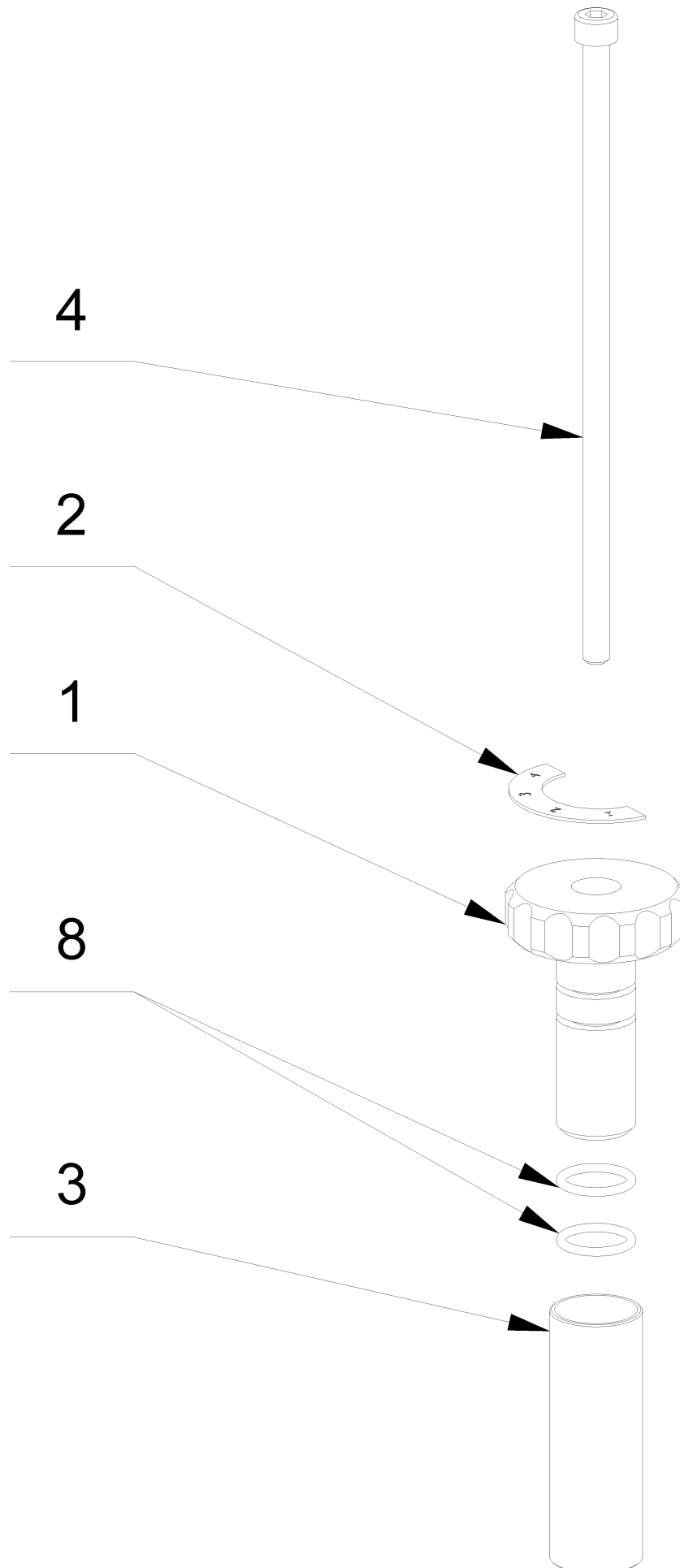
## 4 Cover

Item no.	Article no.	Description	Quantity
1	052366	Cover Cobra 09	1
2	053421	Holder f. nipple Cobra 09	1
3	052582	Connector cable Cobra 09	1
4	052437	Socket GU/GZ10 Cobra 09	1
5	053131	Halogen lamp cpl.230V Cobra 09	1
6	014800	Thumb screw M6x14 Inden	1
7	052449	Clamp halogen lamp Cobra 09	1
8	052587	Cross bolt hole M4x5 Cobra 09	2
9	049055	Headless pin M6x10 DIN 914	1
10	053445	Adhesive base Cobra 09	4
11	016469	Countersunk screw M4x6 DIN 963	1
12	052164	RAPID-nipple	1
13	016312	Countersunk bolt M5x16 DIN 7991 10.9	2



## 5 Pressure regulation

---

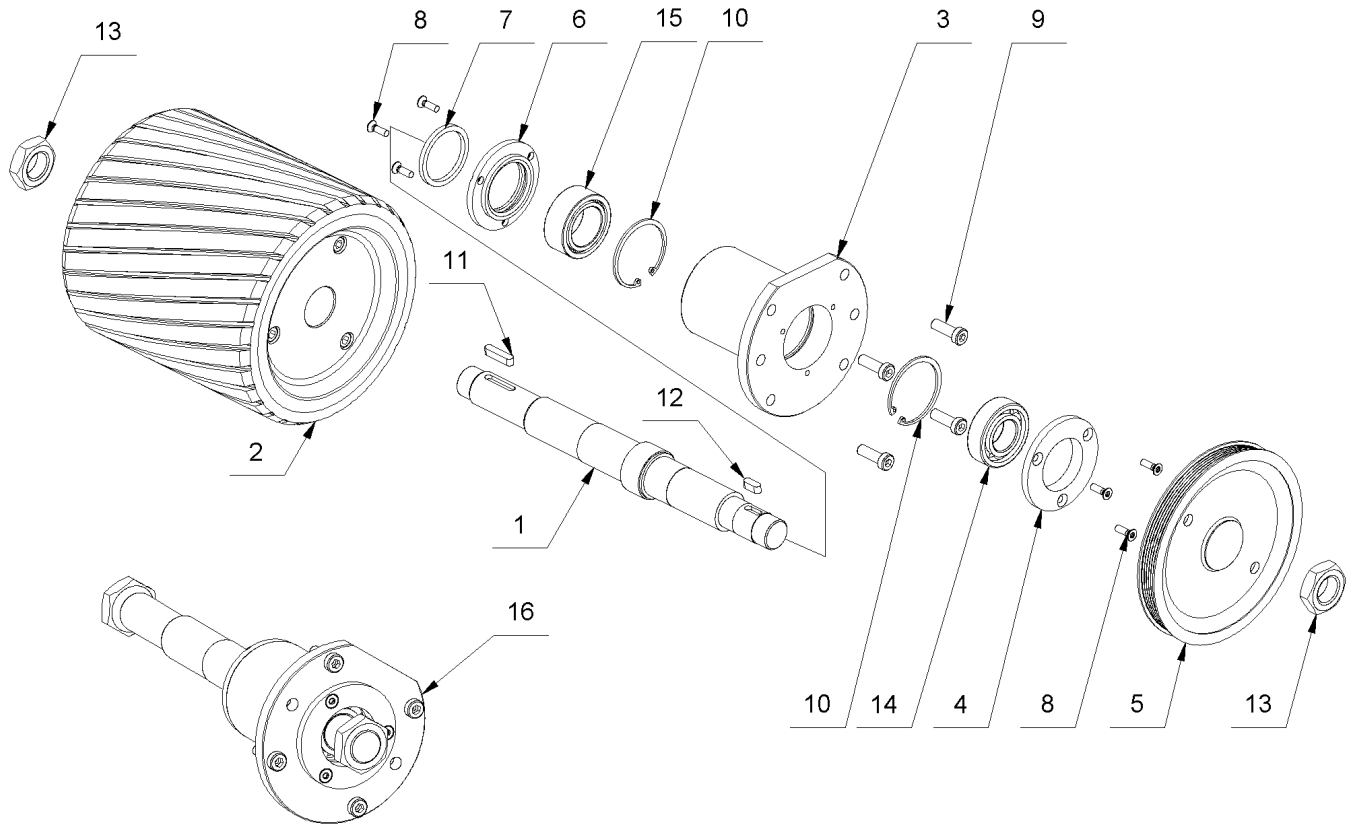


## 5 Pressure regulation

---

Item no.	Article no.	Description	Quantity
1	016327	Regular screw Cobra/ Python	1
2	053314	Label roller printing Cobra 09	1
3	054727	Threaded sleeve Cobra 09	1
4	052615	Cylinder head screw M8x180 DIN 912	1
5	043853	Marking ring black	2

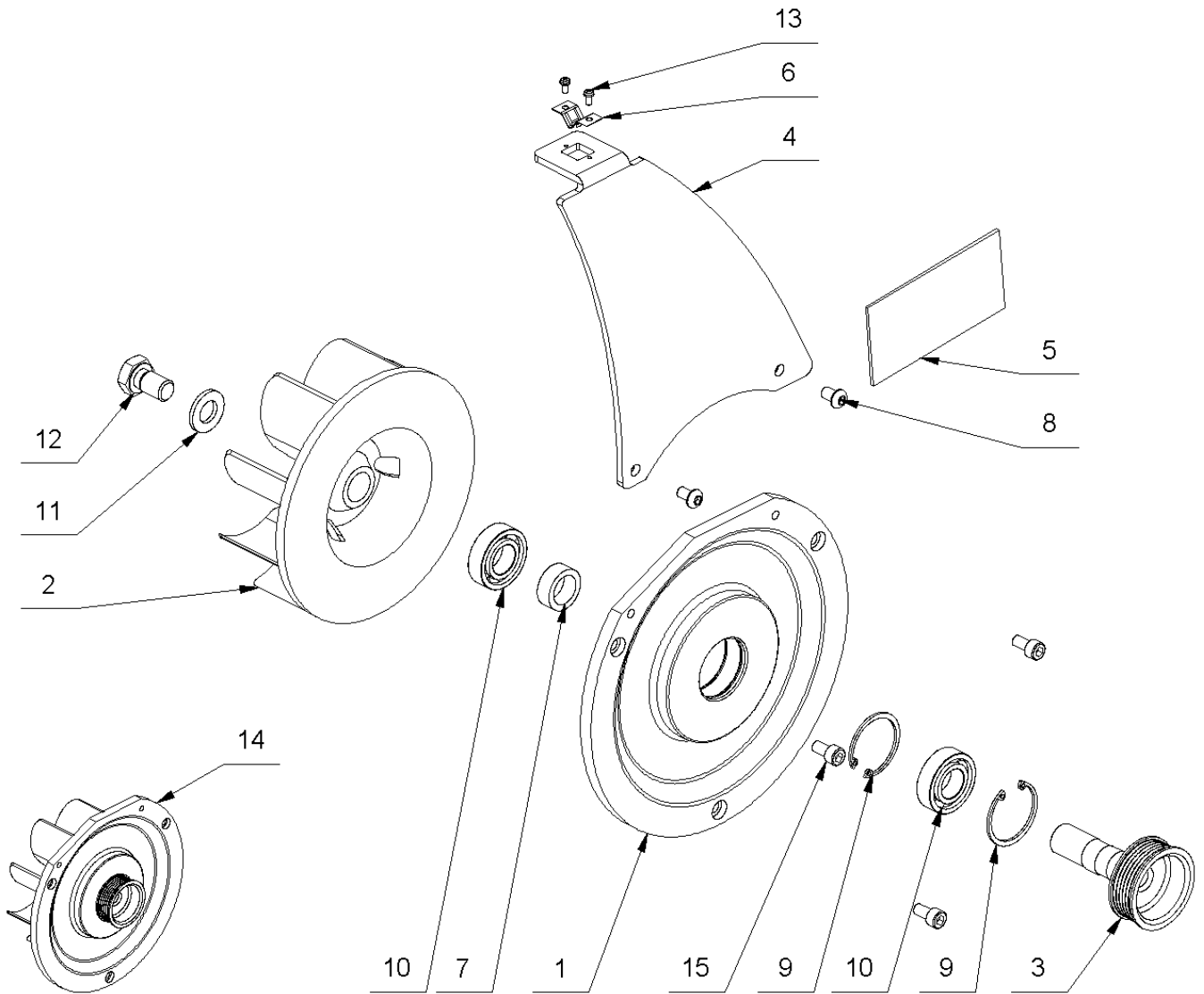
## 6 Sanding drum bearing



## 6 Sanding drum bearing

Item no.	Article no.	Description	Quantity
1	052470	Grinding roller shaft Cobra 09	1
2	013587	Grinding roller for Cobra	1
3	016364	Drum bearing flange Cobra	1
4	052482	Cover Cobra 09	1
5	052466	Belt pulley drum Cobra 09	1
6	016366	Inner drum cover Cobra	1
7	016188	Felt sealing ring Cobra/Viper/Python	1
8	080377	Countersunk screw M5x16 (Torx)	6
9	016365	Cylinder head screw M10x45 DIN 6912	4
10	014857	Safety washer I52 DIN 472	2
11	016361	Nut key 6x6x30 DIN 6885	1
12	016505	Nut key 6x6x16 DIN 6885	1
13	014614	Hexagon nut M24x1,5 DIN936	2
14	018348	Ball bearing 6205 2RS	1
15	016183	Ball bearing Cobra NA49/32 Cobra	1
16	053244	Roller bearing flange cpl.Cobra09/Class.	1

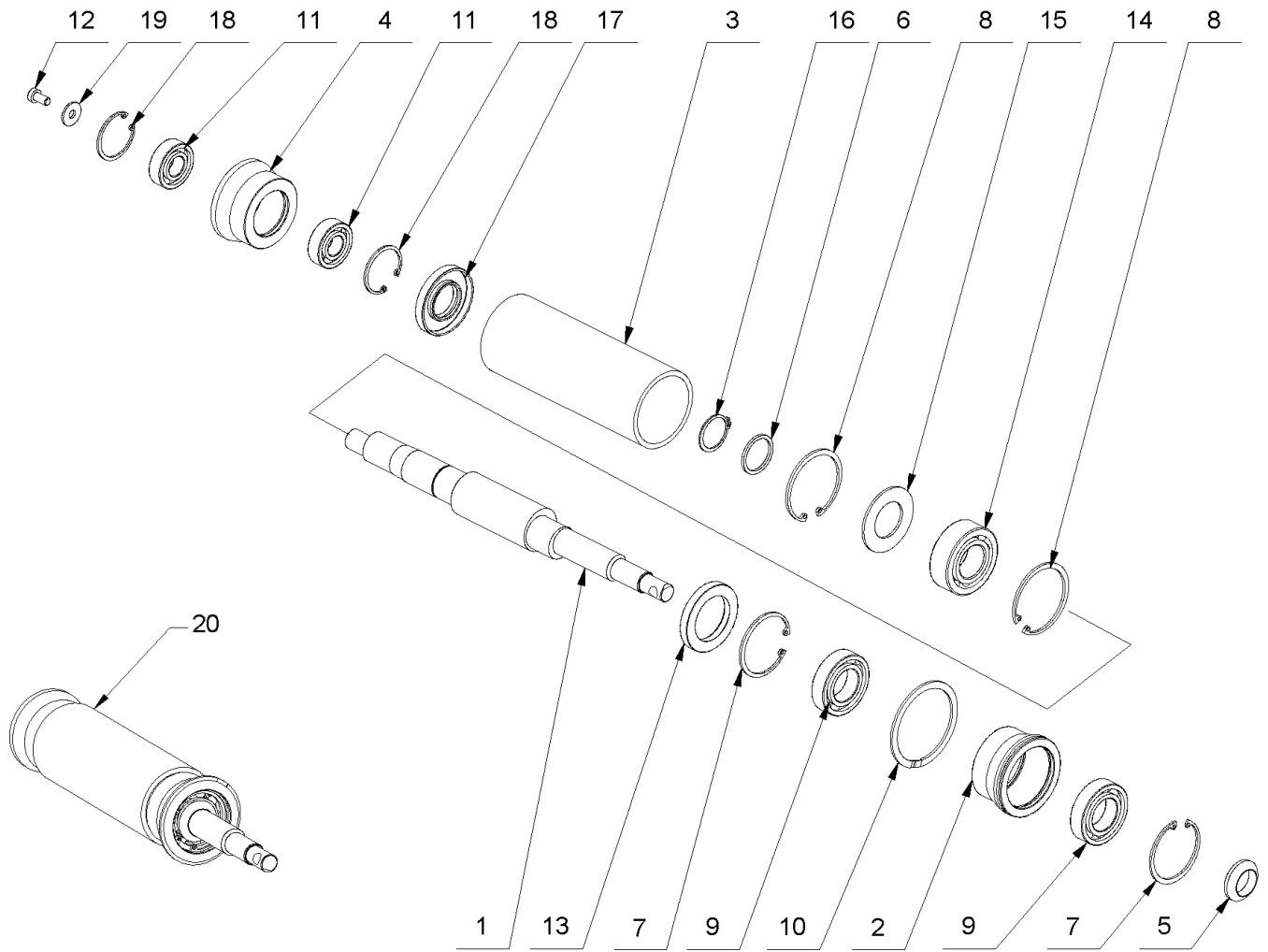
# 7 Fan



## 7 Fan

Item no.	Article no.	Description	Quantity
1	052469	Fan flange Cobra 09	1
2	014599	Fan wheel Cobra	1
3	052467	Belt pulley ventilator Cobra 09	1
4	052480	Belt shroud Cobra 09	1
5	052954	Label tip belt extending Cobra09	1
6	052163	RAPID-spring shackle	1
7	052491	Distance bushing ventilator Cobra 09	1
8	014799	Lens head screw M6x10	2
9	018091	Circlip I35 DIN472	2
10	018359	Ball bearing 6003 2RS	2
11	014830	Washer M12 DIN 125 A	1
12	017455	Hexagon screw M12x 20 DIN 933	1
13	052626	Self-tapping screw M3x6 DIN 75000	2
14	053243	Fan flange cpl. Cobra 09	1
15	014726	Cylinder head screw M6x12 DIN 912	3

# 8 Tension roller

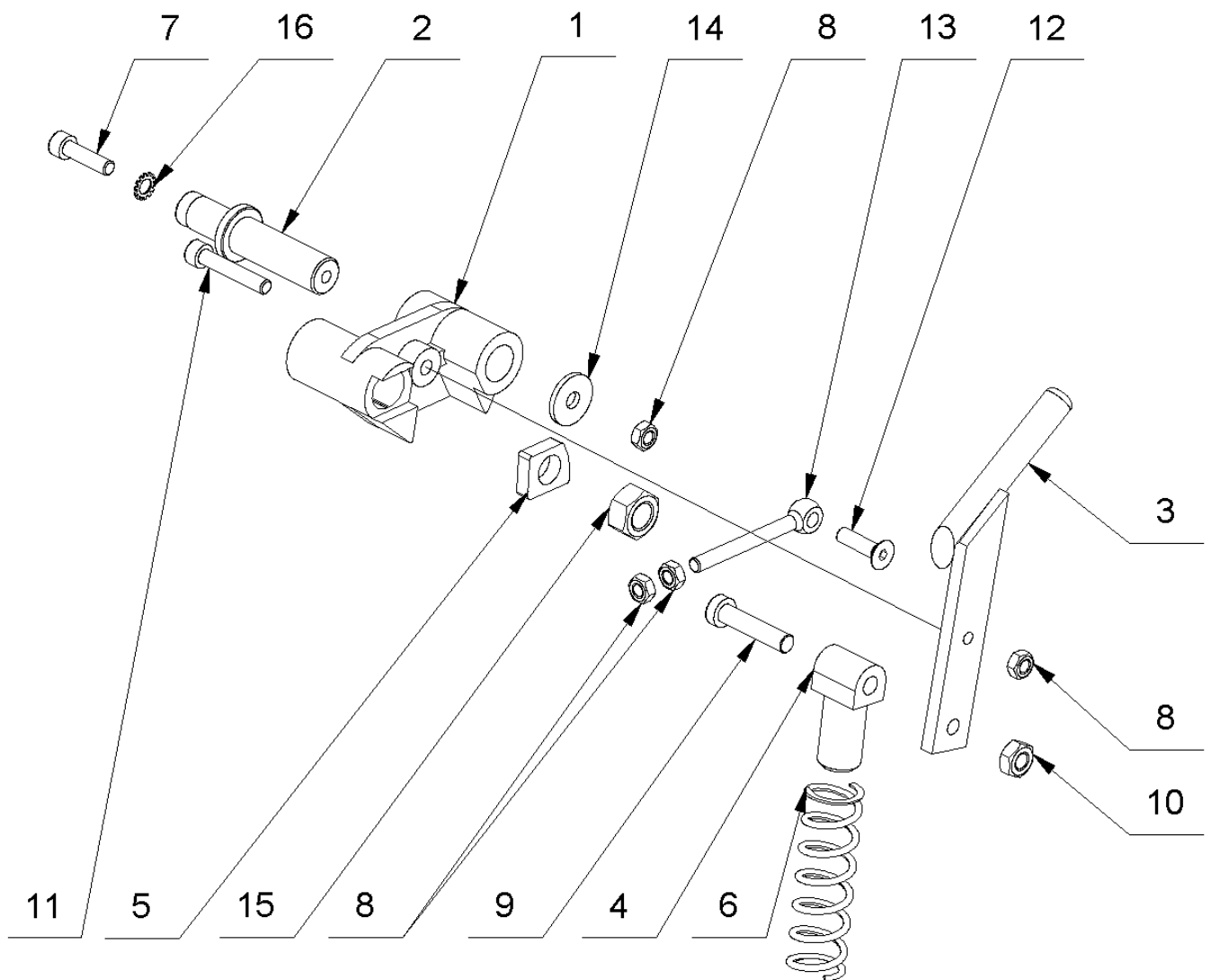


## 8 Tension roller

Item no.	Article no.	Description	Quantity
1	016189	Tension roller shaft Cobra	1
2	014625	Inner roll Cobra/Viper/Python	1
3	014629	Roller empty Viper / Cobra	1
4	014622	Outside roll Cobra/Viper/Python	1
5	016202	Adjustment ring Cobra/Python	1
6	016360	Washer 25x30x2 DIN 988	1
7	014855	Safety washer I47 DIN 472	2
8	014857	Safety washer I52 DIN 472	2
9	014704	Ball-bearing 6005 2RSH	2
10	166323	Safety washer XDNS 60-X	1
11	018351	Ball bearing 6202 2RS	2
12	055830	Cylinder head screw M6x12 DIN 7984	1
13	014628	Inner packing ring Vip/Cob/Pyth 35-52-10	1
14	016198	Swivel bearing 2205 2RS	1
15	043833	Lock washer DIN 137 - B27	1
16	014852	Safety washer A25 DIN 471	1
17	014634	Shaft seal Vip/Cob/Pyth 25-52-10	1
18	018091	Circlip I35 DIN472	2
19	017724	Washer DIN 9021 6,4x18x1,6	1
20	016845	Tension Roll new complete Cobra	1



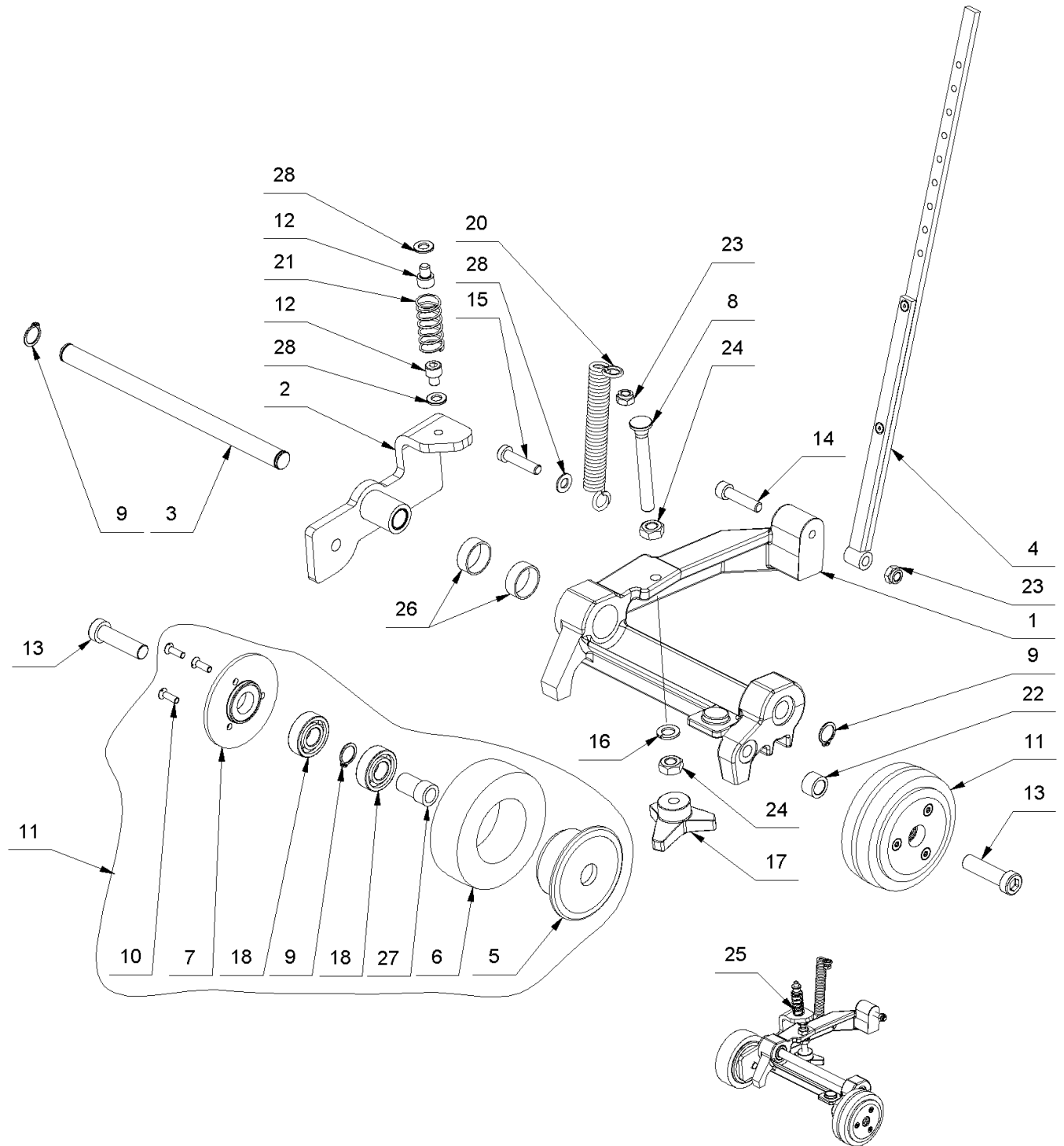
## 9 Roller clamo



## 9 Roller clamo

Item no.	Article no.	Description	Quantity
1	016338	Tension roller holder Cobra/Python	1
2	016345	Mounting bolt Cobra/Viper/Python	1
3	053223	Clamping Lever Cobra 09	1
4	016492	Pressure piece Cobra/Viper/Python	1
5	016190	Adjusting plate Cobra/Python	1
6	016179	Pressure spring 30x100x3,5	1
7	014736	Cylinder head screw M8x30 DIN 912	1
8	014810	Hexagon nut M 8 DIN 934 I6I/I8I	4
9	016340	Cylinder head screw M10x45 DIN 6912	1
10	014811	Hexagon nut M 10 DIN 934	1
11	016343	Cylinder head screw M10x45 DIN 6912	1
12	017116	Countersunk screw M8x30 10.9 DIN 7991	1
13	016347	Eye screw M8x80 special	1
14	043902	Washer 8,4x30 DIN 522	1
15	014620	Lock nut M16 DIN 934	1
16	016321	Spring washer A 8,4 DIN 6798	1

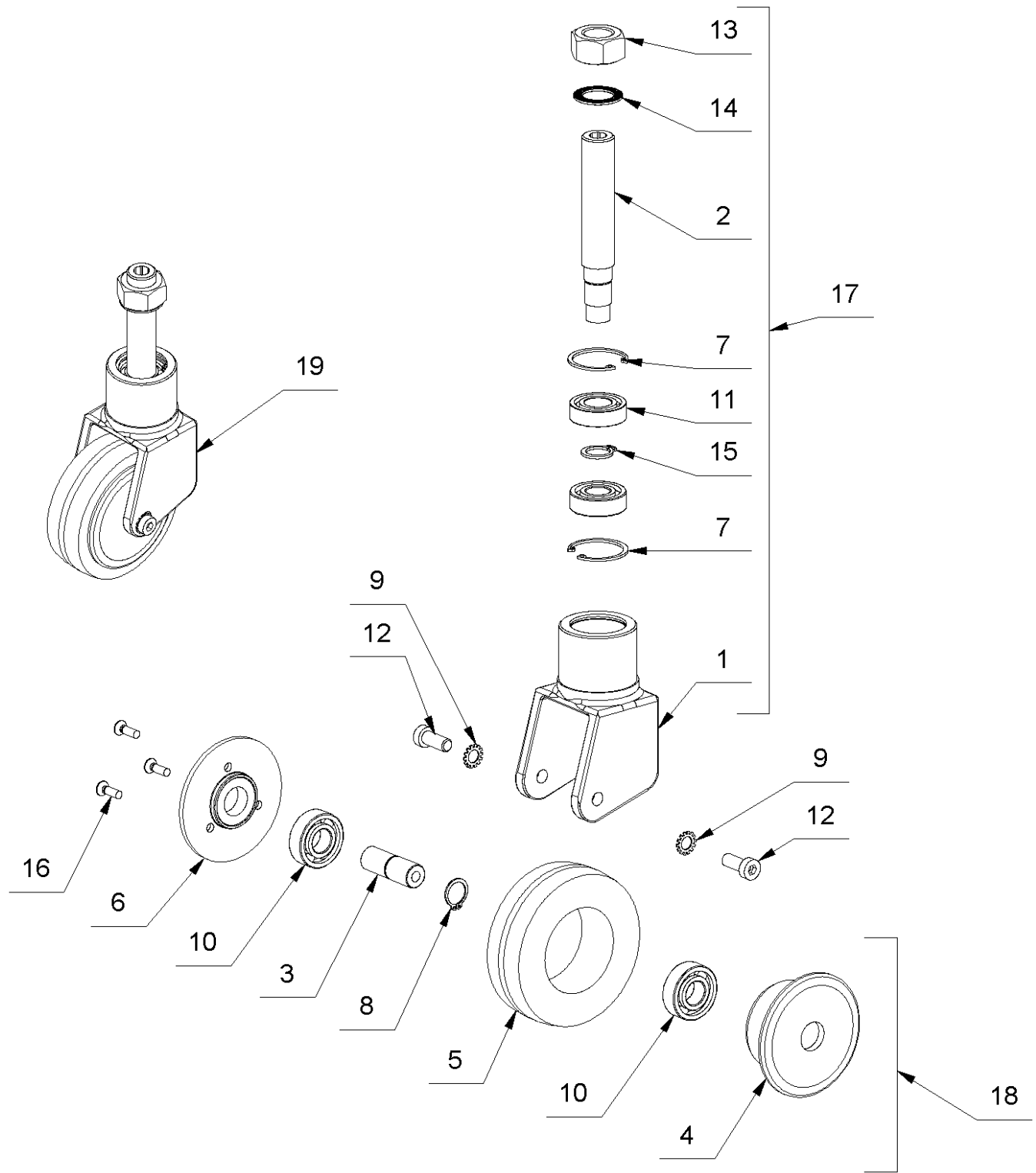
# 10 Carriage



## 10 Carriage

Item no.	Article no.	Description	Quantity
1	052471	Gear lever Cobra 09	1
2	052472	Rocker arm Cobra 09	1
3	052473	Chassis axis Cobra 09	1
4	053113	Tow bar lower part cpl. Cobra 09	1
5	016415	Steering and wheel rim Cobra/Viper/Pytho	1
6	016171	Vulcolan tyre Cobra/Viper/Python	1
7	016416	Wheel cover Cobra/Viper/Python	1
8	053287	Hinged foot Cobra 09	1
9	018101	Safety washer A15 DIN 471	3
10	016701	ZZZCountersunk screw see 16312	3
11	037082	Wheel compl.Cobra/Viper/Python	1
12	014732	Cylinder head screw M8x10 DIN 912	2
13	056142	Cylinder head screw M12x50 DIN 6912	2
14	014737	Cylinder head screw M8x35 DIN 912	1
15	016430	Cylinder head screw M8x35 DIN 6912	1
16	043831	lock washer 10 DIN 128	1
17	037940	Three-star grip nut D63 x M10	1
18	018351	Ball bearing 6202 2RS	2
20	016175	Tension spring Cobra	1
21	059669	Pressure spring VD-212C / 19,80x44x1,60	1
22	016446	Distance bushing 18x12x11 Cobra	1
23	014816	Hexagon nut M8 DIN 985	2
24	014811	Hexagon nut M 10 DIN 934	2
25	053246	Chassis cpl. Cobra 09	1
26	052953	Bushing 2510	2
27	016422	Socket for wheel axle Cobra/Viper/Python	1
28	014828	Washer M8 DIN 125 A	3

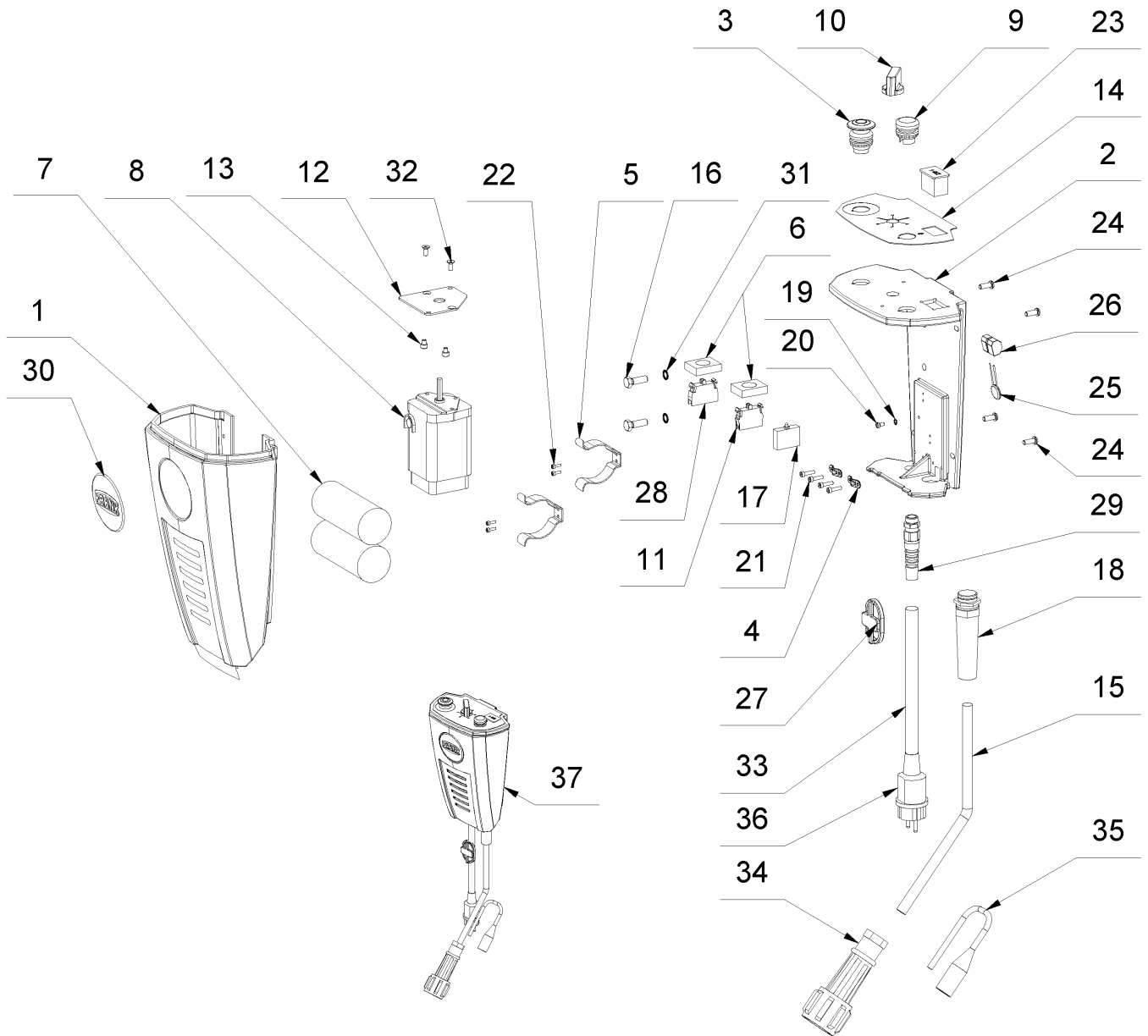
# 11 Caster



## 11 Caster

Item no.	Article no.	Description	Quantity
1	016406	Steering wheel fork Cobra/Viper/Python	1
2	016410	Casting shaft Cobra/Python	1
3	014601	Caster wheel Cobra/Viper/Python	1
4	016415	Steering and wheel rim Cobra/Viper/Pytho	1
5	016171	Vulcolan tyre Cobra/Viper/Python	1
6	016416	Wheel cover Cobra/Viper/Python	1
7	018091	Circlip I35 DIN472	2
8	018101	Safety washer A15 DIN 471	1
9	016321	Spring washer A 8,4 DIN 6798	2
10	018351	Ball bearing 6202 2RS	3
11	018359	Ball bearing 6003 2RS	1
12	016413	Cylinder head screw M6x150 DIN 912	2
13	039981	Hexagon nut M20x1,5 DIN 934	1
14	074979	Washer M20	1
15	014850	Safety washer A17 DIN 471	1
16	016312	Countersunk bolt M5x16 DIN 7991 10.9	3
17	047064	Steering wheel fork without wheel Cobra	1
18	048583	Steering Wheel compl	1
19	016380	Steering wheel with fork cpl.	1

# 12 Cockpit



## 12 Cockpit

Item no.	Article no.	Description	Quantity
1	052373	Cover Cockpit Cobra 09	1
2	052368	Support cast Cockpit Cobra 09	1
3	052443	Safety switch	1
4	015211	Cable clamp Motor Duro 2.0	2
5	052434	Spring clamps Cobra 09	2
6	017503	Adapterattachment	2
7	043843	Start Capacitor 60 µF Ducati	2
8	043869	Switch NR152678 Cobra	1
9	052444	Pushbutton Cobra 09	1
10	043875	Switch Knob	1
11	017505	Contact element shut NO	1
12	053073	Adapting plate f.switch Cobra 09	1
13	018276	Cylinder head screw M5x6 DIN 912	2
14	130515	Slide display orange Cobra 09	1
15	053025	Control line Cobra 09	1
16	014775	Hexagon bolt M 8x25 DIN 933	2
17	038638	LED for signal lamp	1
18	053004	Screw connection w.bending prot. M25x1,5	1
19	017663	Tooth lock washer 4.3 Form A DIN 6797	1
20	017473	Cylinder head screw M4x8 DIN 84 brass	1
21	017743	Cylinder head screw M4x16 DIN 912	4
22	014715	Cylinder head screw M3x10 DIN 912	4
23	078604	Digital meter with large clip Cobra09	1
24	017552	Lens head screw M 6x16 ISO 7380	4
25	056885	Varistor Cobra 09	1
26	050146	Connecting terminal 2-fold	2
27	067749	cable retention	1
28	017507	Contact element open NC	1
29	038585	Strain relief w.bending prot.M16x1,5	1
30	137491	Label Frank 3D Ø80mm	1
31	014860	Schnorr Washer M8	2
32	017747	Countersunk screw M5x12 DIN 7991	2
33	053026	El.cord 3G2,5x0,4m grey w.plug	1
34	052431	Jack 7pol Cobra 09	1

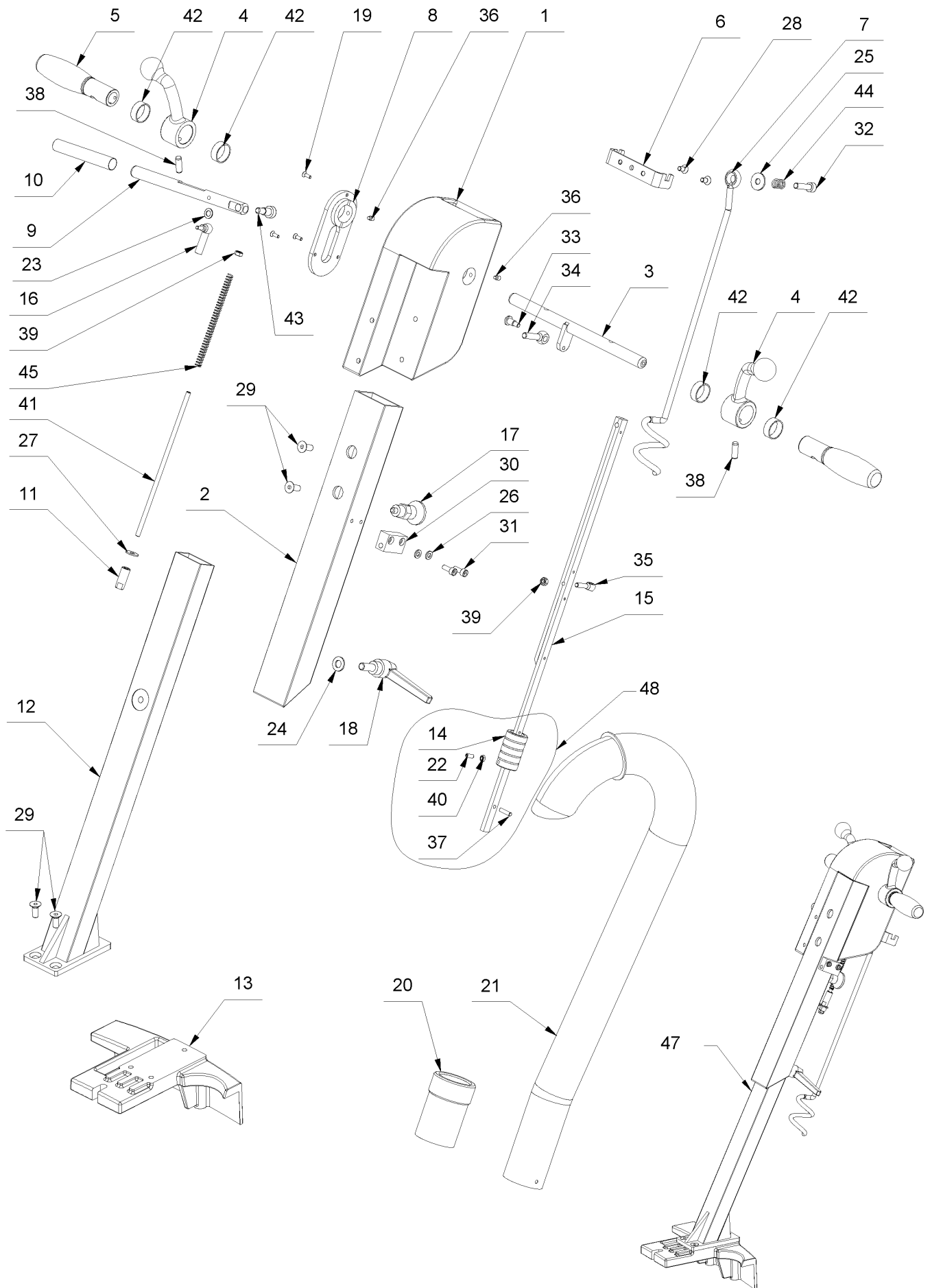


## 12 Cockpit

---

Item no.	Article no.	Description	Quantity
35	052583	Jack Cobra 09	1
36	039203	Plug grey	1
37	060280	Cockpit cpl. 230V/50Hz Cobra 09 Pallmann	1

# 13 Handle



## 13 Handle

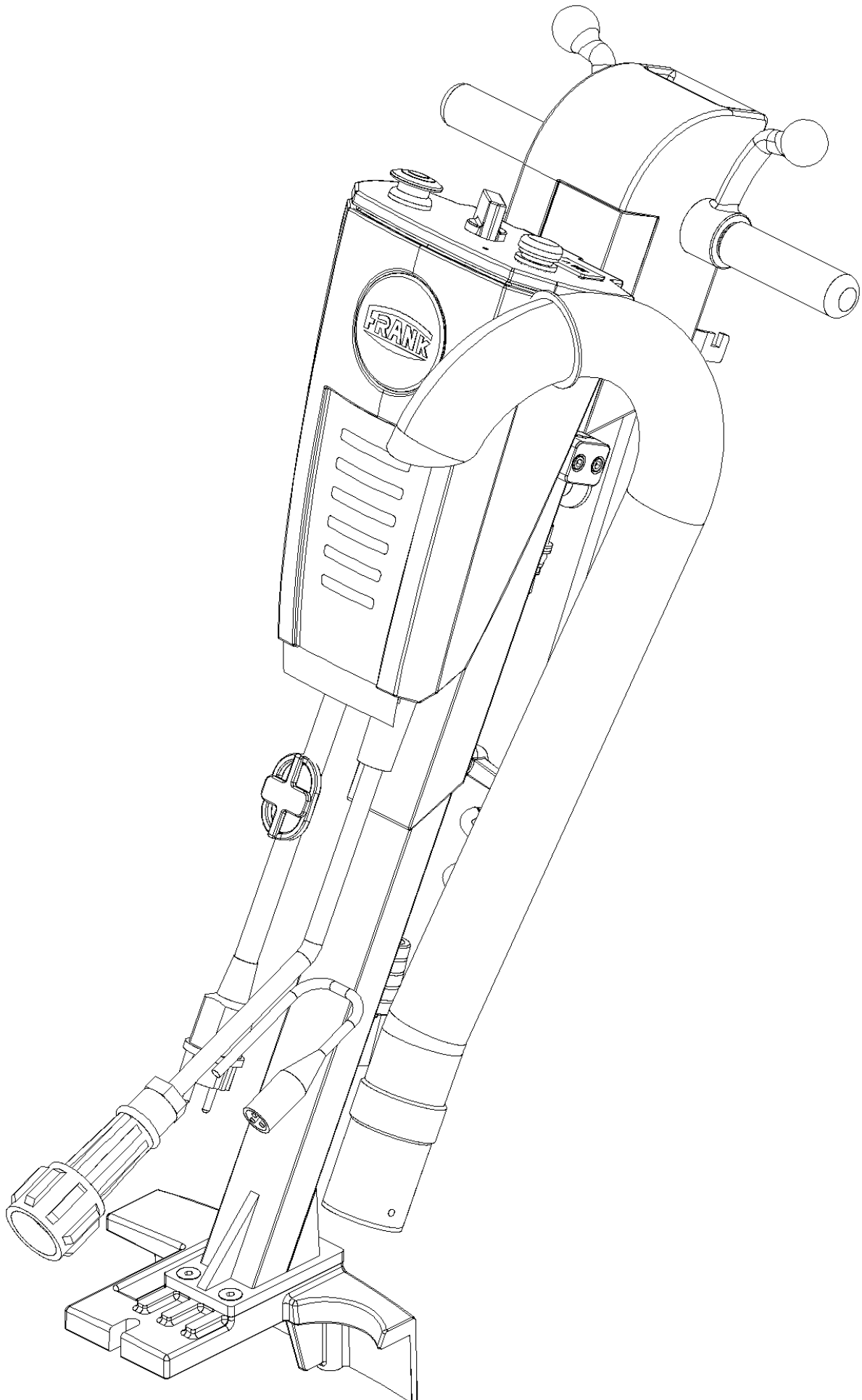
Item no.	Article no.	Description	Quantity
1	052375	Cover grip Cockpit Cobra 09	1
2	052611	Outside tubeCobra 09	1
3	052629	Shaft f. lowering device Cobra 09	1
4	052538	Lever to operate Cobra 09	2
5	081808	Grip with coating Cobra 09	2
6	016521	Cable support Cobra/Viper/Python	1
7	014548	Cable arm long Viper	1
8	052486	Bearing cover Cobra 09	1
9	052485	Lever Cobra 09	1
11	054529	Adjustment nut Cobra 09	1
12	052600	SG Inside tubeCobra 09	1
13	052390	Handle bracket Cobra 09	1
14	053105	Box tow bar Cobra 09	1
15	055870	Tow bar upper part soft cpl. Cobra 09	1
16	016632	Angle joint Cobra/Viper/Python	1
17	037953	Fixing pin	1
18	037952	Clamping lever GN300-92-M10-32 SW	1
19	017703	Countersunk screw M4x12 DIN 7991 10.9	3
20	062045	Suction nozzle Dust / Cobra09	1
21	052684	Dust pipe Staubrohr Cobra 09	1
22	053418	Elastic pressure pieceM6 M5 NLM 0300-0	1
23	017656	Shim ring 8x14x1 DIN 988	1
24	014829	Washer M10 DIN 125 A	1
25	018737	Washer 8,4x24x2 DIN 9021 galv.	1
27	017724	Washer DIN 9021 6,4x18x1,6	1
28	014755	Countersunk screw M6x12 DIN 7991 10.9	2
29	014760	Countersunk screw M8x20 DIN 7991 10.9	5
30	054369	mounting plate Cobra 09	1
31	014729	Cylinder head screw M 6x16 DIN 912	2
32	014736	Cylinder head screw M8x30 DIN 912	1
33	052489	Flat head screw hardened Cobra 09	1
34	047216	Eye screw M8x40 DIN 444	1
35	068203	eye screw M 6x40 Cobra 09	1
36	014792	Headless pin M6x10 DIN 915	2

## 13 Handle

Item no.	Article no.	Description	Quantity
37	018135	Cylindrical pin 5x 20 DIN 7	1
38	053824	cylindrical pin 8x 24 DIN 7979	2
39	014809	Hexagon nut M6 DIN 934	2
40	017773	Hexagon nut M5 DIN 934	1
41	054528	Control rod Cobra 09	1
42	052953	Bushing 2510	4
43	052936	Screw M8x12 DIN 7379	1
44	043827	Pressure spring 13x20x1,5	1
45	016638	Pressure spring 9x167x1,2	1
46	014815	Hexagon nut M6 DIN985	1
47	053248	Handle cpl. Cobra 09	1
48	053419	Sliding collar Cobra 09	1

## 14 Handle compl.

---

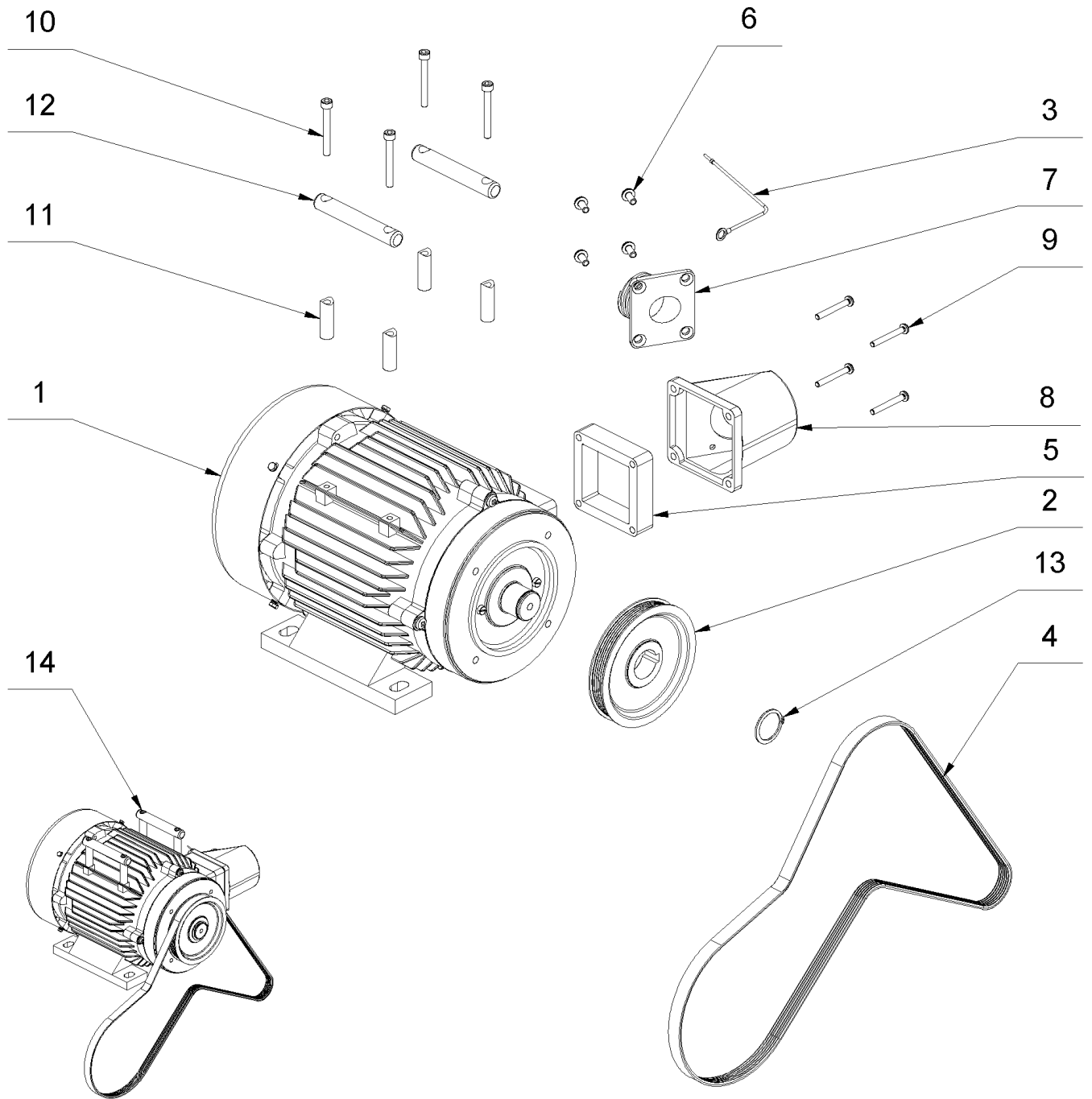


## 14 Handle compl.

---

Item no.	Article no.	Description	Quantity
1	078773	Handle with cockpit cpl. Cobra 09 FRANK	1
2	062845	Handle with cockpit cpl. Cobra 09 CH	1

# 15 Motor

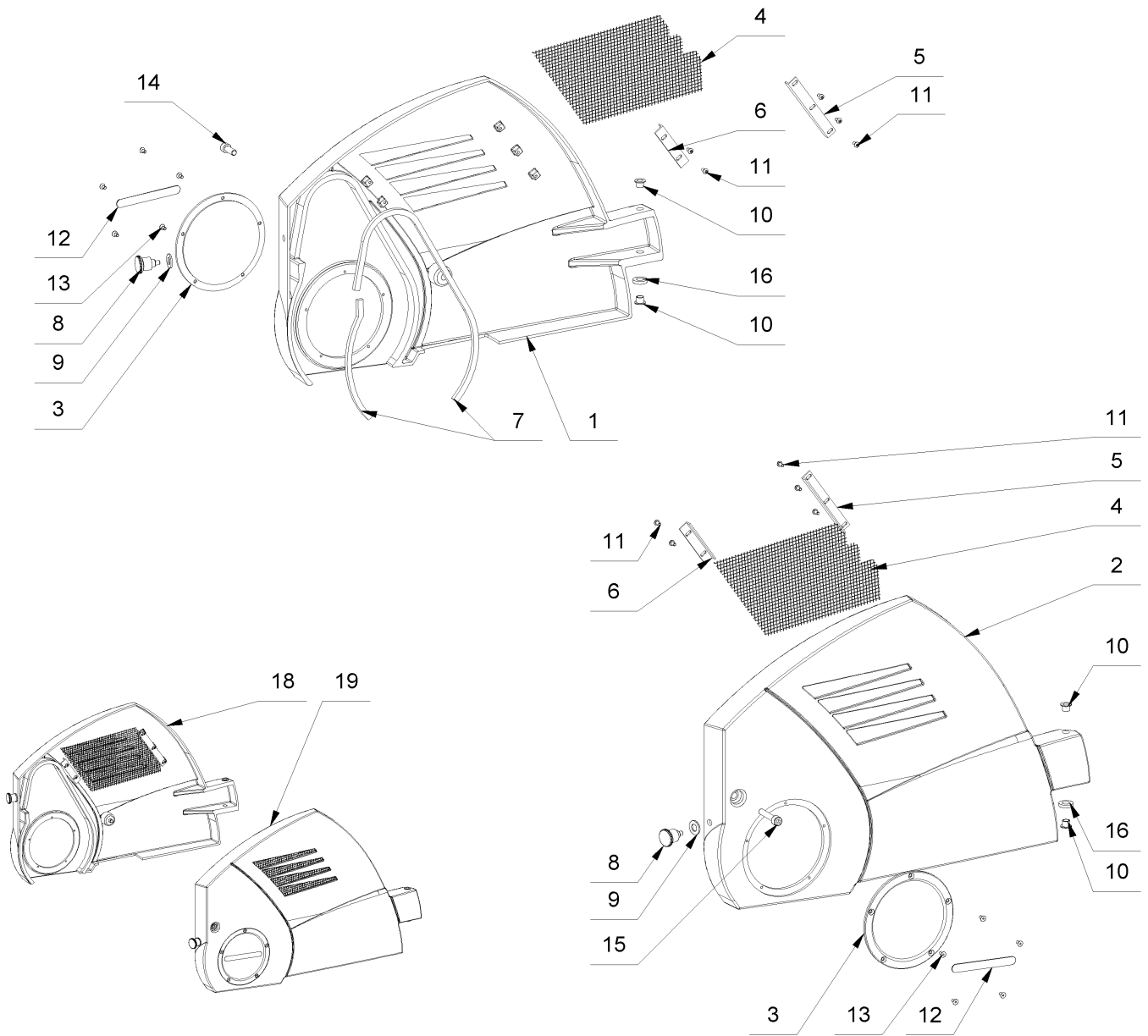


## 15 Motor

Item no.	Article no.	Description	Quantity
1	052419	Motor 2,5kW/50Hz/230V Cobra 09	1
2	052462	Belt pulley motor Cobra 09	1
3	053485	Cable set Motor Cobra 09	1
4	052417	Poly-v-belt 6PJ 1194 Cobra 09	1
5	052613	Distance piece Cobra 09	1
6	in 052419	Cylinder head bolt	1
7	052420	Mounted connector 7-pol Cobra 09	1
8	052433	Adapter 7pol Cobra 09	1
9	052624	Screw self-tapping M5x40 DIN 7500	4
10	018262	Cylinder head screw M6x50 DIN 912	4
11	053048	Handle motor part1 Cobra 09	4
12	053049	Handle motor part2 Cobra 09	2
13	043893	Safety washer A28 DIN 471	1
14	053250	Motor cpl.2,5kW/230V/50Hz Cobra 09	1



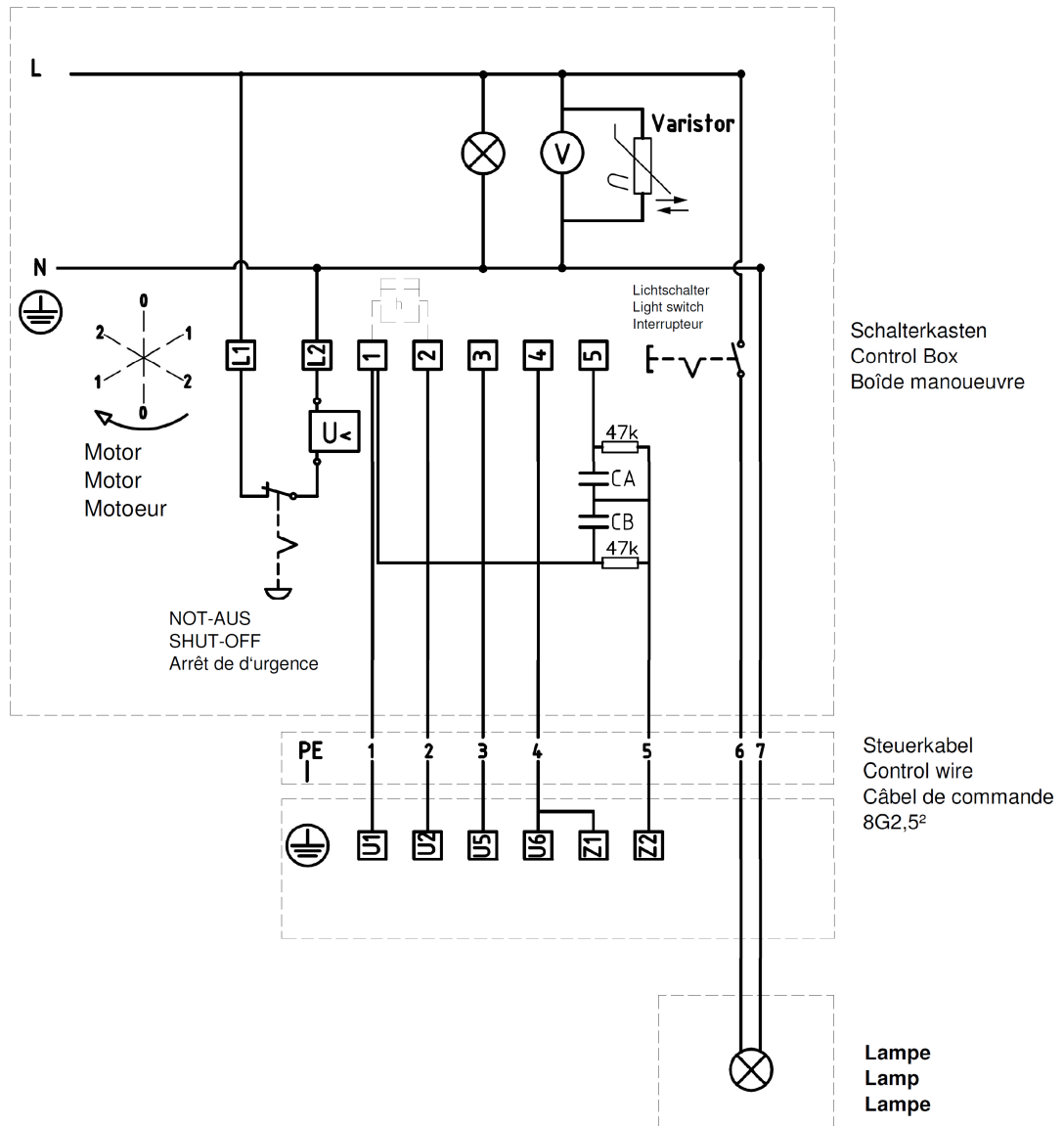
# 16 Cover



## 16 Cover

Item no.	Article no.	Description	Quantity
1	052361	Cylinder door right Cobra 09	1
2	052364	Belt door left Cobra 09	1
3	052595	Door panel Cobra 09	2
4	060283	WirefenceCobra 09 Pallmann	2
5	053460	Bracket 111mm Cobra 09	2
6	053459	Bracket 72mm Cobra 09	2
7	056533	Sealing set cover right 51/19cm	2
8	052440	Arresting bolt	2
9	014829	Washer M10 DIN 125 A	2
10	052490	Bushing BB 08085	4
11	056488	Lens head screw M4x 8	10
12	129933	Label Frank tec inside orangeCobra09	1
13	018324	Countersunk screw M4x8 DIN 7991 10.9	10
14	014734	Cylinder head screw M8x20 DIN 912	1
15	014738	Cylinder head screw M 8x40 DIN 912	1
16	053482	Plastic spacer 10,5x20x4 black	2
18	060275	Door on the right cpl. Cobra 09 Pallmann	1
19	060277	Door on the left cpl. Cobra 09 Pallmann	1

# 17 Circuit diagram



## 17 Circuit diagram

---

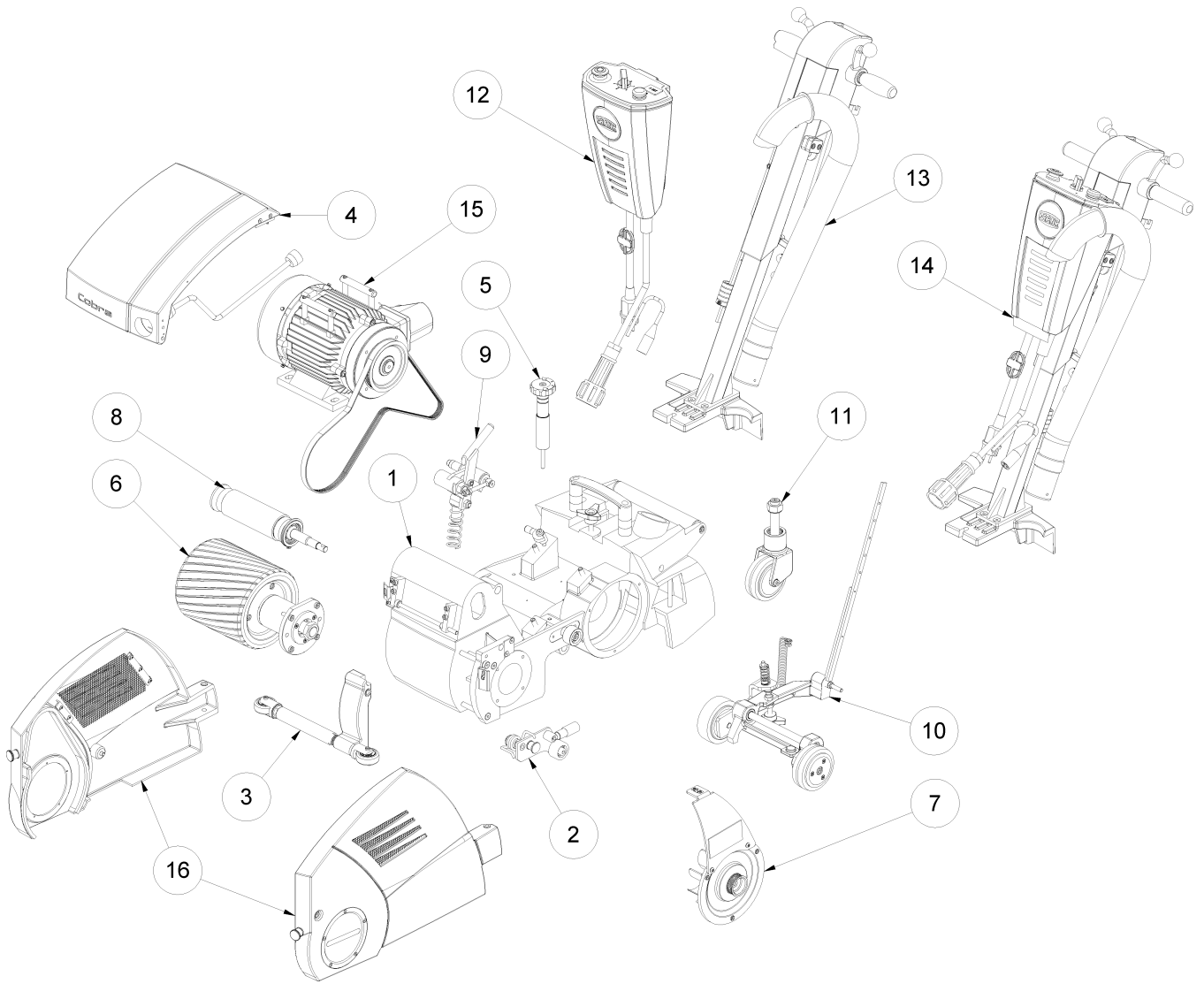
## 18 Tool kit #060281

Article no.	Description	Quantity
016842	Open-ended wrench SW10	1
016799	Open-end wrench SW13	1
017601	Open-end wrench SW17	1
016800	Open-end wrench SW19	1
018635	Open-end wrench SW24	1
043826	Double open-end wrench SW30/36	1
017027	Hexagonal screw key SW4 DIN 911	1
014956	Hexagonal screw key SW5 DIN 911	1
014957	Hexagonal screw key SW6 DIN 911	1
014959	Hexagonal screw key SW8 DIN 911	1
018641	Hexagonal screw key SW10 DIN 911	1
060253	Tool bag orange	1
016813	Multi clip URS/Gecko/Cobra/Viper	1

## 19 Accessories

Article no.	Description	Quantity
012624	CORUNDUM SANDING BELT 200 X 750 MM K 36	1
012627	CORUNDUM SANDING BELT 200 X 750 MM K 60	1
012629	CORUNDUM SANDING BELT 200 X 750 MM K 100	1
060282	extension cord3G2,5x12,5 orange/Pallmann	1
060602	Extension cord 3G2,5x12 Schuko AUS 15A	1
062062	Ext.cord 3G2,5x12,5orangeUK230V/Pallm	1
015315	Hearing protectors	1
016732	Fine dust mask Gecko/URS/Cobra	1
052441	DUST BAG BAG IN BAG COBRA 09 PALLMANN	1
071729	DUST BAG STANDARD COBRA 09 PALLMANN	1
052442	SINGLE USE DUST BAG COBRA 09	1
062045	Suction nozzle Dust / Cobra09	1
074585	Poly V Belt 6PJ 1285 Cobra 09	1
048681	Wheel adjustment aid compl. Viper/Cobra	1
053131	Halogen lamp cpl.230V Cobra 09	1
080442	Retrofit set 2.tension roller Cobra09	1

### 3 Frank Cobra 09 230V EU (0419/2012 - 0423/2012)



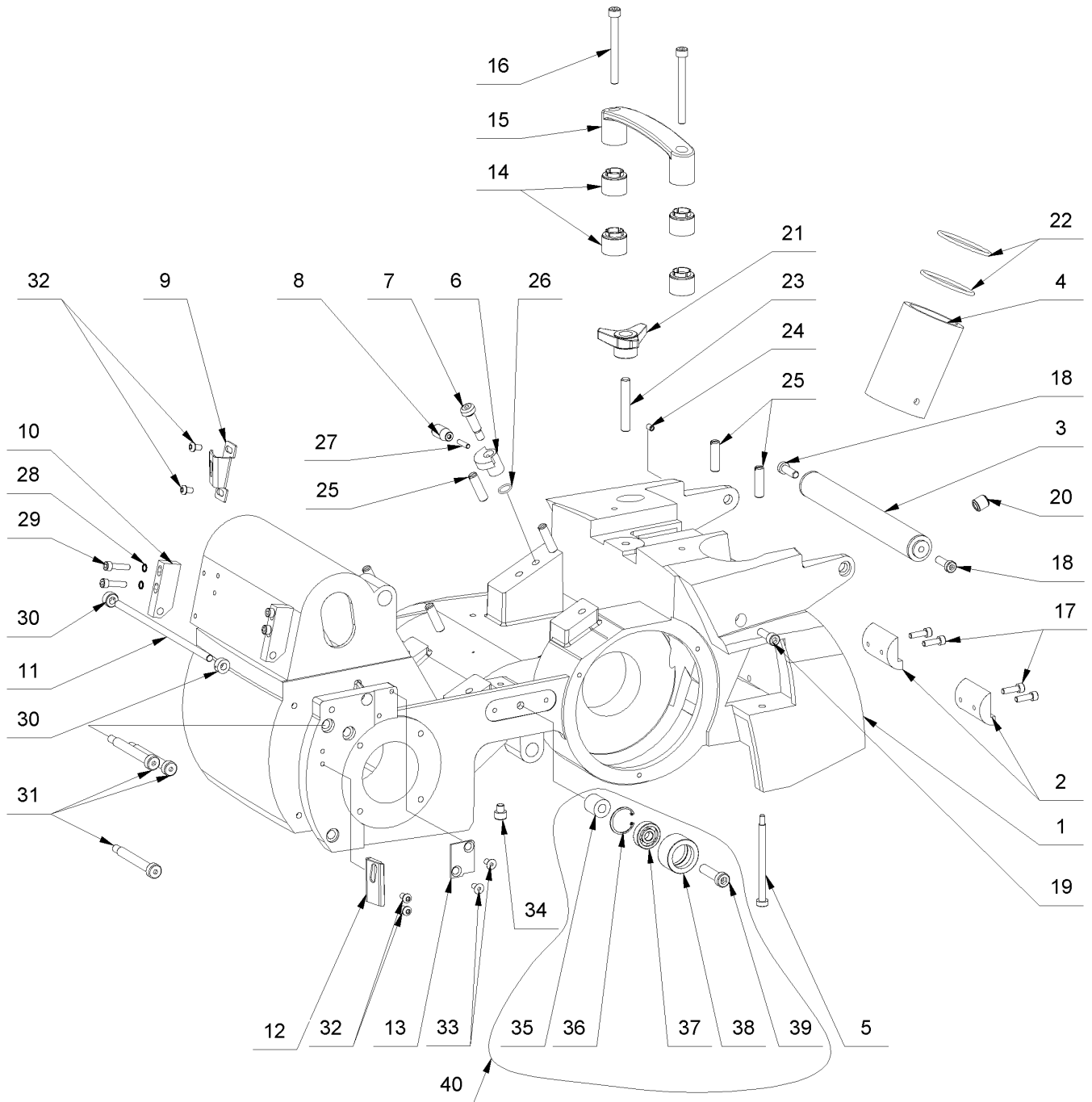
### 3 Frank Cobra 09 230V EU (0419/2012 - 0423/2012)

---

Item no.	Article no.	Description
1	02_01_062228	Housing
2	03_02_053277	Belt Holding Fixture
3	03_03_062228	Handle
4	01_04_062228	Cover
5	01_05_062228	Pressure regulation
6	01_07_062228	Sanding drum bearing
7	01_08_062228	Fan
8	01_09_016845	Tension roller
9	01_10_062228	Roller clamo
10	03_11_053246	Carriage
11	01_12_016380	Caster
12	01_13_078772	Cockpit
13	03_14_053248	Handle
14	03_15_054511	Handle compl.
15	01_16_053250	Motor
16	01_17_062228	Cover
17	01_18_062228	Circuit diagram
18	01_19_060281	Tool kit #060281
19	01_20_062228	Accessories



# 1 Housing



# 1 Housing

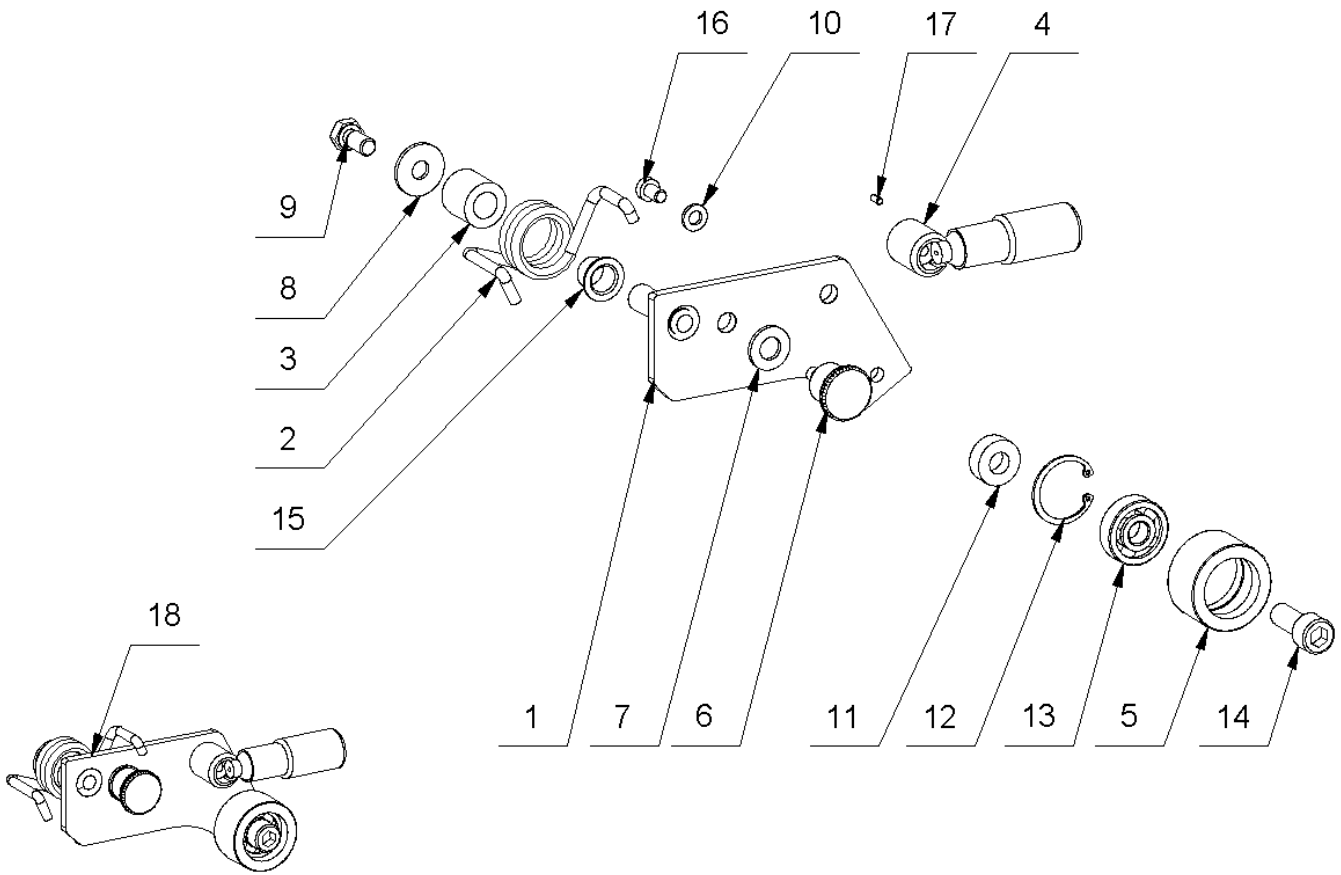
Item no.	Article no.	Description	Quantity
1	052299	Chassis Cobra 09	1
2	052689	Edge protection Cobra 09	2
3	052507	ZB Carry handle behind Cobra 09	1
4	052593	Sock dust pipe Cobra 09	1
5	052627	Screw M 6x90 DIN 7379	2
6	053077	Bar for motor Cobra 09	1
7	053030	Screw M10x25 DIN 7379	1
8	053426	Cylindr.knob Cobra 09	1
9	053922	Right door lock Cobra 09	1
10	053114	Hood angle Cobra 09	2
11	059611	Shaft Cobra 09	1
12	053921	Left door lock Cobra 09	1
13	053221	Stop plate stop bolt Cobra 09	1
14	056814	Distance bushing for U-handle	4
15	056811	Handle grip GN628 150mm	1
16	018249	Cylinder head screw M8x80 DIN 912	2
17	018706	Lens head screw M6x20	4
18	016365	Cylinder head screw M10x45 DIN 6912	2
19	014735	Cylinder head screw M8x25 DIN 912	1
21	037940	Three-star grip nut D63 x M10	1
22	052952	O-Ring 57x3	2
23	053041	Stud bolt M10x45 DIN 835	1
24	049055	Headless pin M6x10 DIN 914	1
25	052452	Shaft screw M10x35 DIN 427	6
26	053468	O-Ring 12x1	1
27	018203	Headless pin M5x20 DIN 913	1
28	014859	Schnorr washer M6	4
29	017678	Cylinder head screw M6x30 DIN 912	4
30	059599	Adjusting ring Ø 8 DIN 705 A	2
31	052451	Screw M 8x70 DIN 7379	3
32	014799	Lens head screw M6x10	4
33	014755	Countersunk screw M6x12 DIN 7991 10.9	2
35	052488	Distance bushing guide pulley Cobra 09	1
36	053318	Circlip I30 DIN 472	1

## 1 Housing

---

Item no.	Article no.	Description	Quantity
37	018353	Ball bearing 6200 2RS HS800	1
38	052468	Tension-/guide pulley Cobra 09	1
39	043915	Cylinder Head Bolt M10x 40 DIN 6912	1
40	053280	Pulley for belt cpl. Cobra 09	1

## 2 Belt Holding Fixture

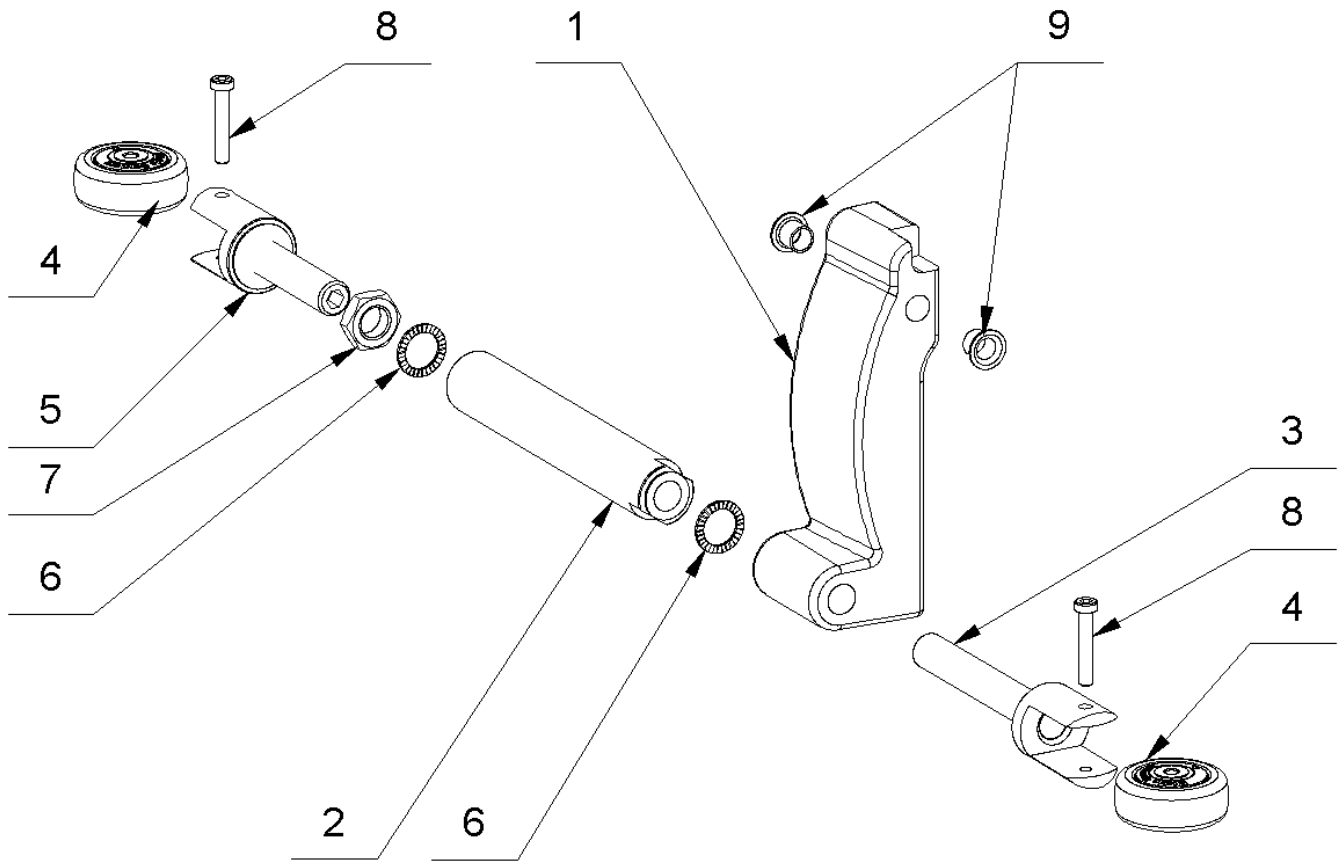


## 2 Belt Holding Fixture

Item no.	Article no.	Description	Quantity
1	088592	Tensioner roller holder Frank Cobra 09	1
2	064322	Lag spring 5mm Cobra 09 Cobra 09	1
3	052487	Distance bushing Cobra 09	1
4	052450	Handle Cobra 09	1
5	052468	Tension-/guide pulley Cobra 09	1
6	052440	Arresting bolt	1
7	014829	Washer M10 DIN 125 A	1
8	018737	Washer 8,4x24x2 DIN 9021 galv.	1
9	018969	Hexagonal screw M 8x 16 DIN 933	1
10	014859	Schnorr washer M6	1
11	052690	Distance bushing 21x10x8 Cobra 09	1
12	053318	Circlip I30 DIN 472	1
13	018353	Ball bearing 6200 2RS HS800	1
14	049654	Cylinder head screw M10x25 DIN 912	1
15	018765	Bushing 1212 DU	1
16	014725	Cylinder head screw M6x10 DIN 6912	1
17	053901	Clamping sleeve 3x6 DIN 7346	1
18	053277	Belt tensioner cpl. Cobra 09	1

### 3 Handle

---

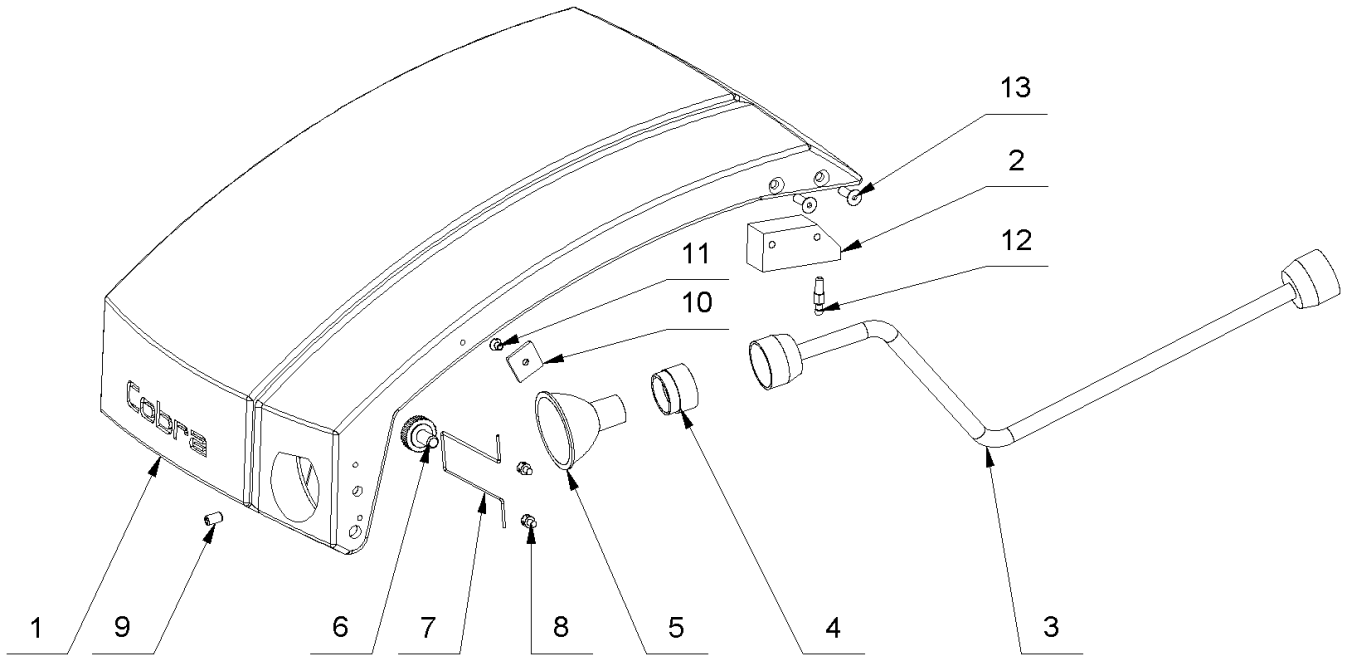


### 3 Handle

Item no.	Article no.	Description	Quantity
1	066944	Handle bracket M16 Cobra 09	1
2	066962	Front carrying handle M 16 Cobra 09	1
3	066945	Holding device li Cobra 09	1
4	060072	Barrier distance roll grey Cobra 09	2
5	068095	Holding device right Cobra 09	1
6	034216	Safety washer M16	2
7	043886	Hexagon M 16 DIN 936	1
8	053071	Cylinder head screw M6x35 DIN 6912	2
9	018682	Bushing BB 1012	2

## 4 Cover

---



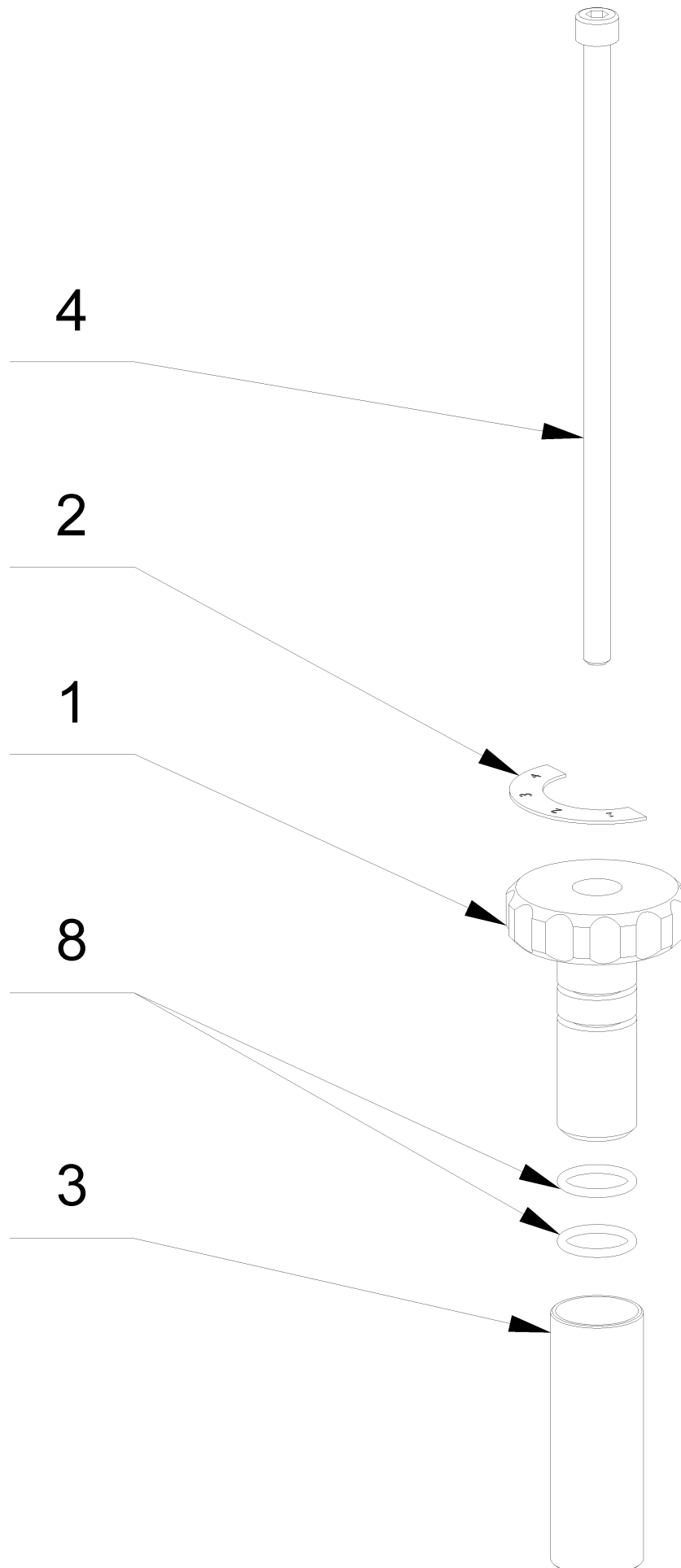


## 4 Cover

Item no.	Article no.	Description	Quantity
1	052366	Cover Cobra 09	1
2	053421	Holder f. nipple Cobra 09	1
3	052582	Connector cable Cobra 09	1
4	052437	Socket GU/GZ10 Cobra 09	1
5	053131	Halogen lamp cpl.230V Cobra 09	1
6	014800	Thumb screw M6x14 Inden	1
7	052449	Clamp halogen lamp Cobra 09	1
8	052587	Cross bolt hole M4x5 Cobra 09	2
9	049055	Headless pin M6x10 DIN 914	1
10	053445	Adhesive base Cobra 09	4
11	016469	Countersunk screw M4x6 DIN 963	1
12	052164	RAPID-nipple	1
13	016312	Countersunk bolt M5x16 DIN 7991 10.9	2

## 5 Pressure regulation

---

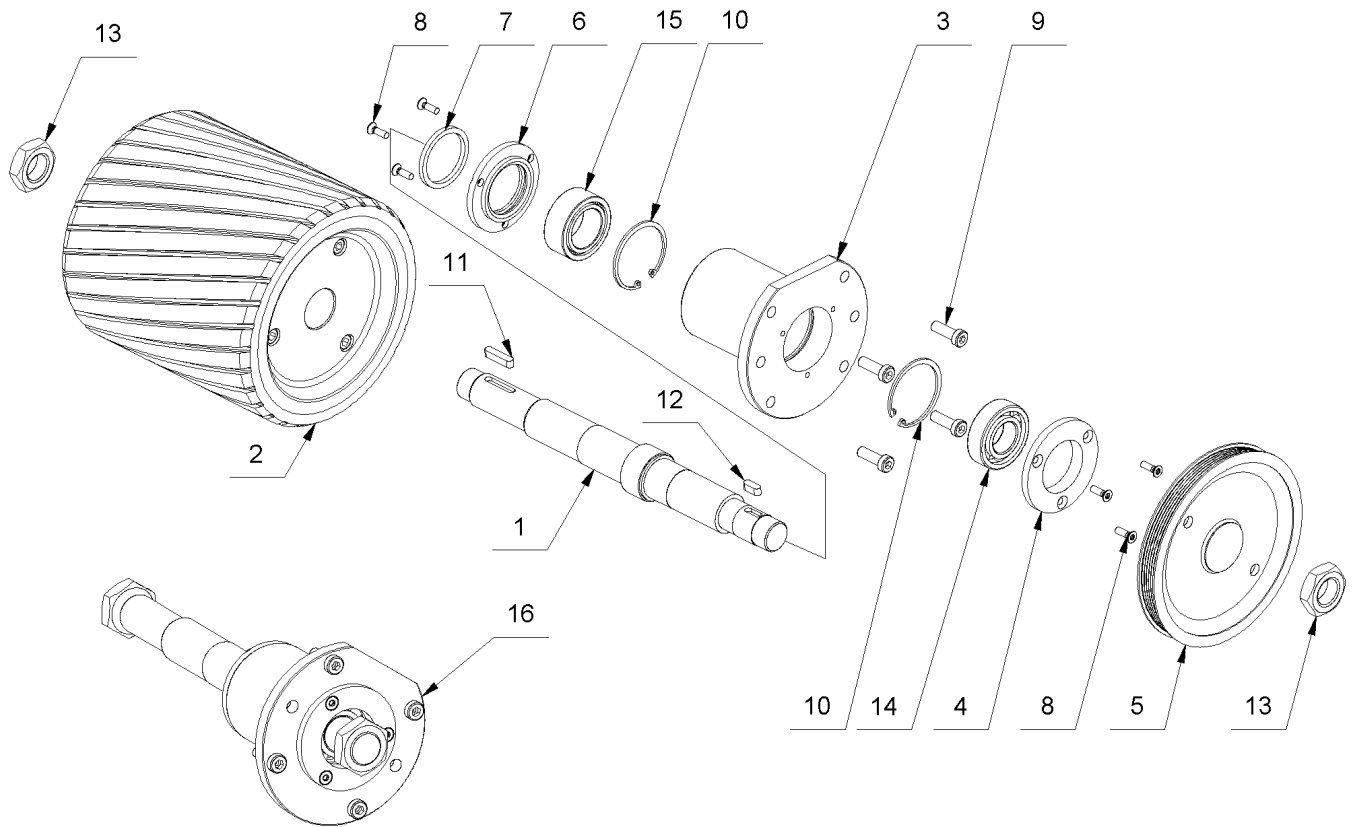


## 5 Pressure regulation

---

Item no.	Article no.	Description	Quantity
1	016327	Regular screw Cobra/ Python	1
2	053314	Label roller printing Cobra 09	1
3	054727	Threaded sleeve Cobra 09	1
4	052615	Cylinder head screw M8x180 DIN 912	1
5	043853	Marking ring black	2

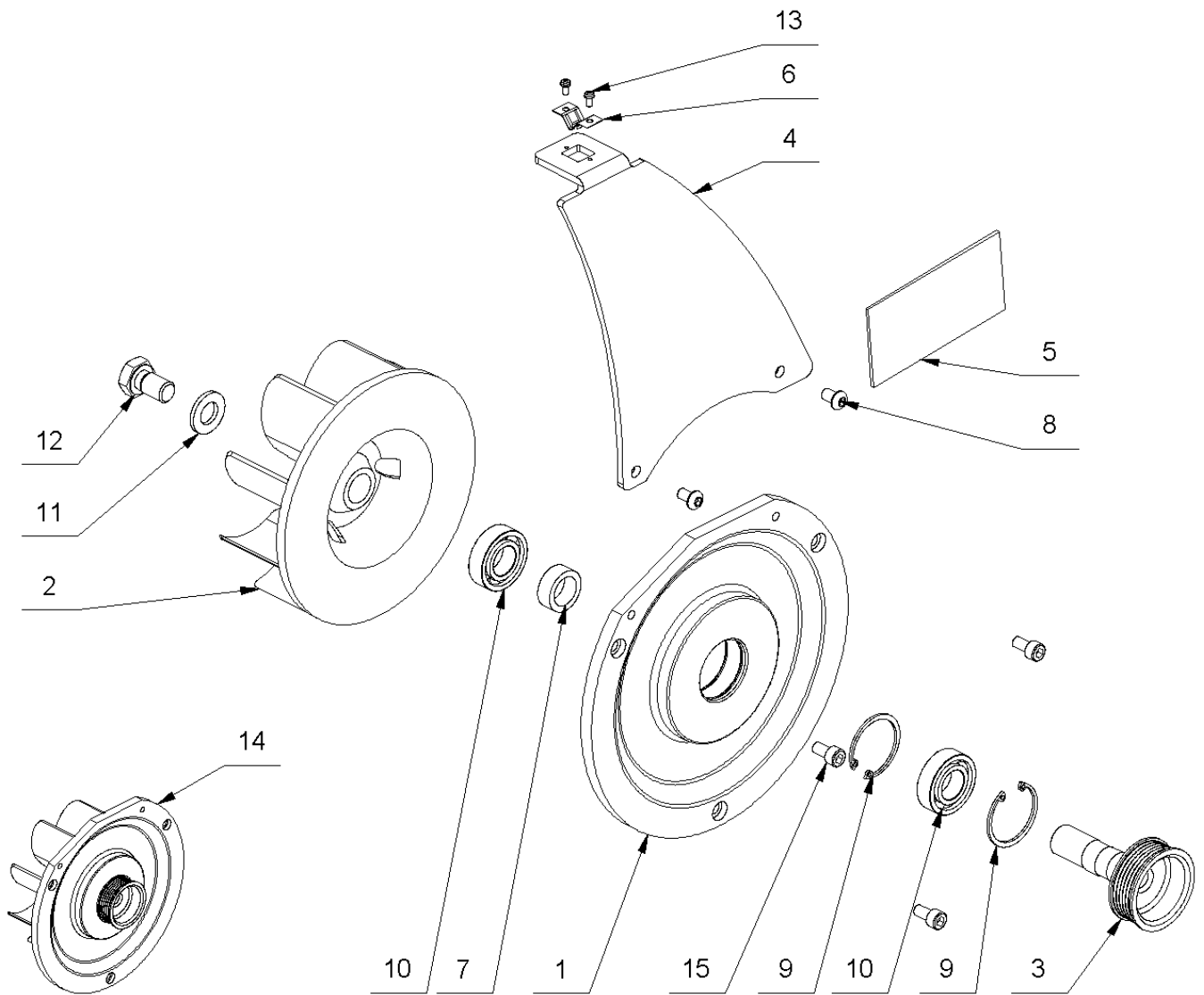
## 6 Sanding drum bearing



## 6 Sanding drum bearing

Item no.	Article no.	Description	Quantity
1	052470	Grinding roller shaft Cobra 09	1
2	013587	Grinding roller for Cobra	1
3	016364	Drum bearing flange Cobra	1
4	052482	Cover Cobra 09	1
5	052466	Belt pulley drum Cobra 09	1
6	016366	Inner drum cover Cobra	1
7	016188	Felt sealing ring Cobra/Viper/Python	1
8	080377	Countersunk screw M5x16 (Torx)	6
9	016365	Cylinder head screw M10x45 DIN 6912	4
10	014857	Safety washer I52 DIN 472	2
11	016361	Nut key 6x6x30 DIN 6885	1
12	016505	Nut key 6x6x16 DIN 6885	1
13	014614	Hexagon nut M24x1,5 DIN936	2
14	018348	Ball bearing 6205 2RS	1
15	016183	Ball bearing Cobra NA49/32 Cobra	1
16	053244	Roller bearing flange cpl.Cobra09/Class.	1

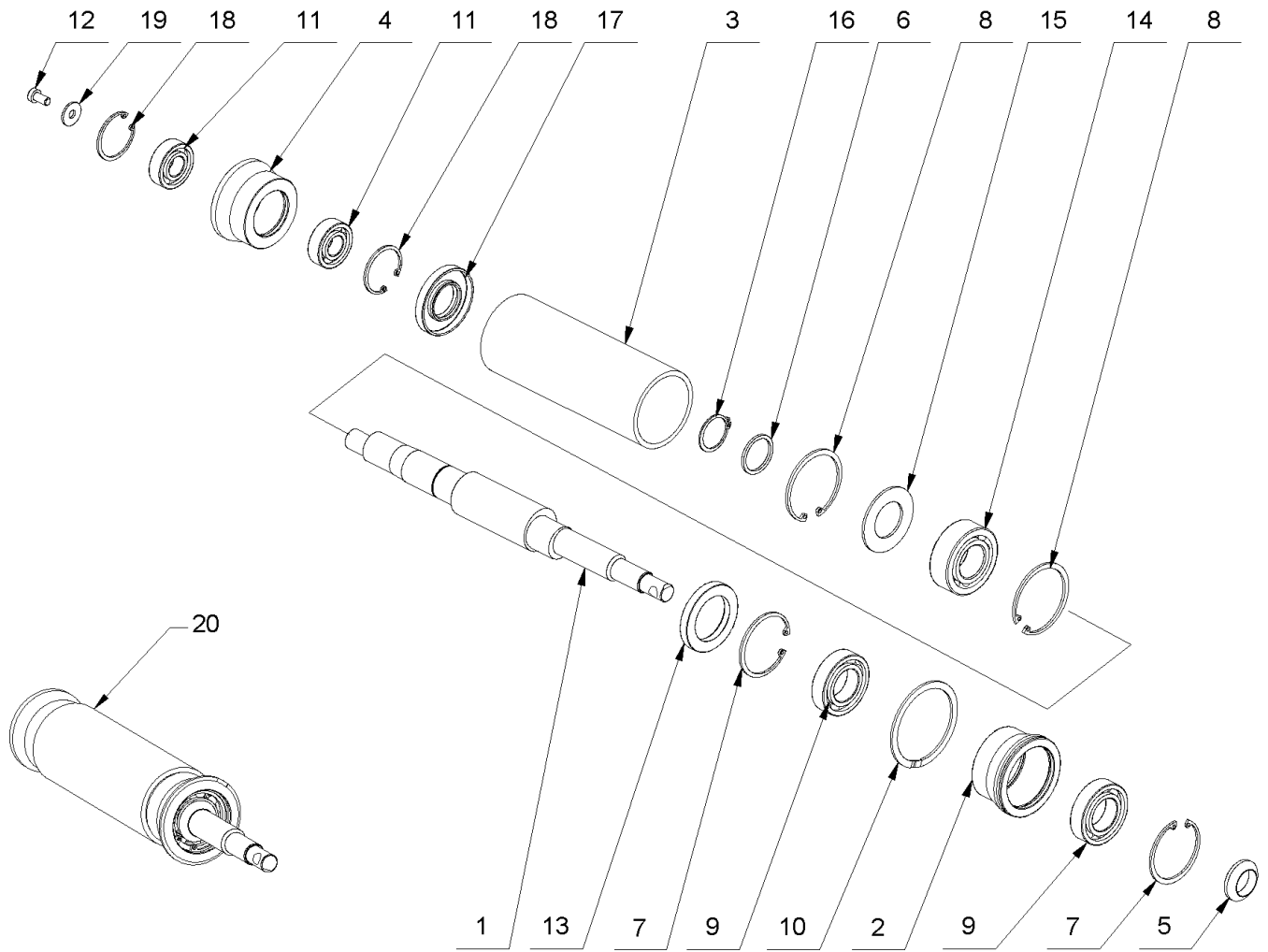
# 7 Fan



## 7 Fan

Item no.	Article no.	Description	Quantity
1	052469	Fan flange Cobra 09	1
2	014599	Fan wheel Cobra	1
3	052467	Belt pulley ventilator Cobra 09	1
4	052480	Belt shroud Cobra 09	1
5	052954	Label tip belt extending Cobra09	1
6	052163	RAPID-spring shackle	1
7	052491	Distance bushing ventilator Cobra 09	1
8	014799	Lens head screw M6x10	2
9	018091	Circlip I35 DIN472	2
10	018359	Ball bearing 6003 2RS	2
11	014830	Washer M12 DIN 125 A	1
12	017455	Hexagon screw M12x 20 DIN 933	1
13	052626	Self-tapping screw M3x6 DIN 75000	2
14	053243	Fan flange cpl. Cobra 09	1
15	014726	Cylinder head screw M6x12 DIN 912	3

# 8 Tension roller

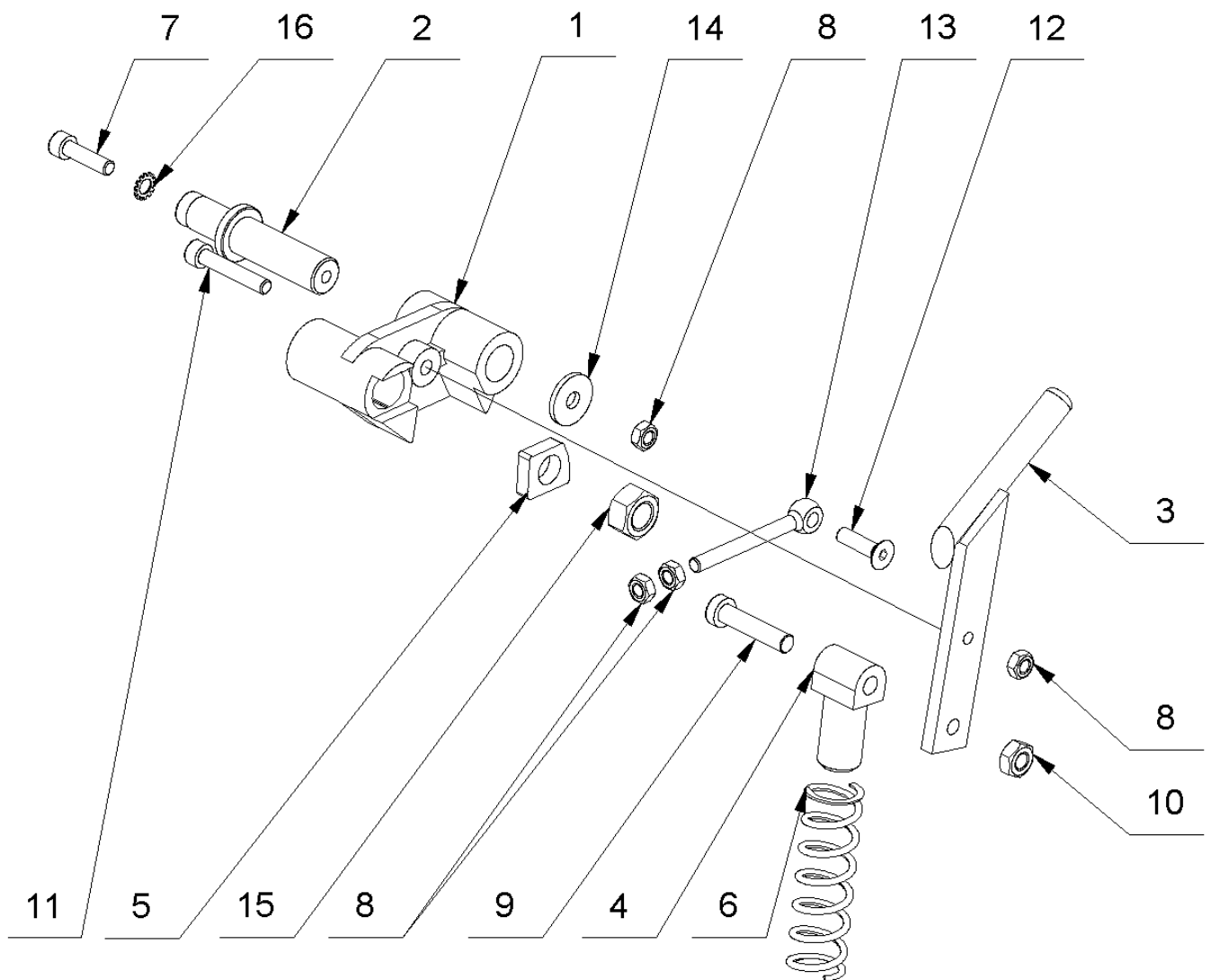




## 8 Tension roller

Item no.	Article no.	Description	Quantity
1	016189	Tension roller shaft Cobra	1
2	014625	Inner roll Cobra/Viper/Python	1
3	014629	Roller empty Viper / Cobra	1
4	014622	Outside roll Cobra/Viper/Python	1
5	016202	Adjustment ring Cobra/Python	1
6	016360	Washer 25x30x2 DIN 988	1
7	014855	Safety washer I47 DIN 472	2
8	014857	Safety washer I52 DIN 472	2
9	014704	Ball-bearing 6005 2RSH	2
10	166323	Safety washer XDNS 60-X	1
11	018351	Ball bearing 6202 2RS	2
12	055830	Cylinder head screw M6x12 DIN 7984	1
13	014628	Inner packing ring Vip/Cob/Pyth 35-52-10	1
14	016198	Swivel bearing 2205 2RS	1
15	043833	Lock washer DIN 137 - B27	1
16	014852	Safety washer A25 DIN 471	1
17	014634	Shaft seal Vip/Cob/Pyth 25-52-10	1
18	018091	Circlip I35 DIN472	2
19	017724	Washer DIN 9021 6,4x18x1,6	1
20	016845	Tension Roll new complete Cobra	1

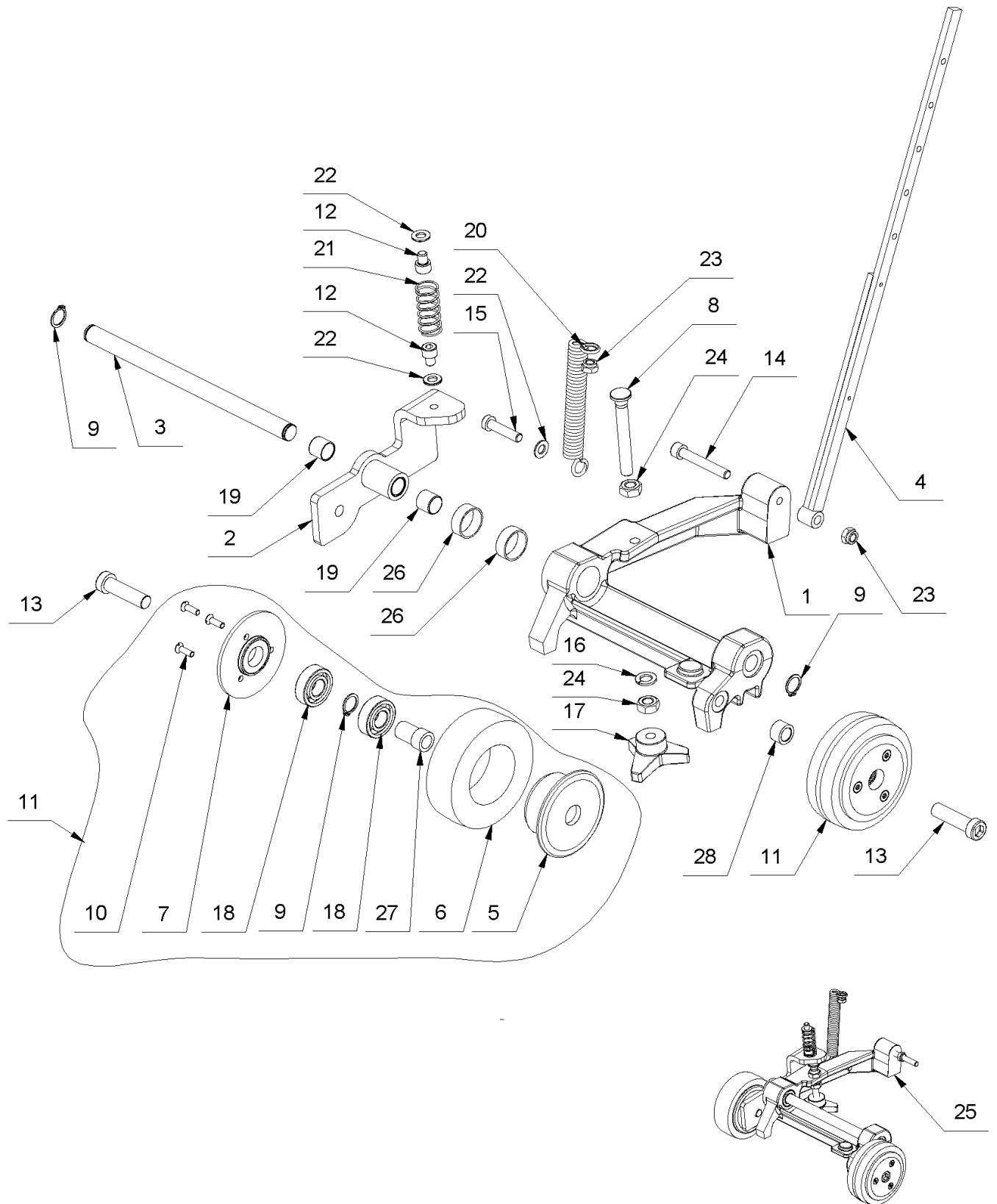
## 9 Roller clamo



## 9 Roller clamo

Item no.	Article no.	Description	Quantity
1	016338	Tension roller holder Cobra/Python	1
2	016345	Mounting bolt Cobra/Viper/Python	1
3	053223	Clamping Lever Cobra 09	1
4	016492	Pressure piece Cobra/Viper/Python	1
5	016190	Adjusting plate Cobra/Python	1
6	016179	Pressure spring 30x100x3,5	1
7	014736	Cylinder head screw M8x30 DIN 912	1
8	014810	Hexagon nut M 8 DIN 934 I6I/I8I	4
9	016340	Cylinder head screw M10x45 DIN 6912	1
10	014811	Hexagon nut M 10 DIN 934	1
11	016343	Cylinder head screw M10x45 DIN 6912	1
12	017116	Countersunk screw M8x30 10.9 DIN 7991	1
13	016347	Eye screw M8x80 special	1
14	043902	Washer 8,4x30 DIN 522	1
15	014620	Lock nut M16 DIN 934	1
16	016321	Spring washer A 8,4 DIN 6798	1

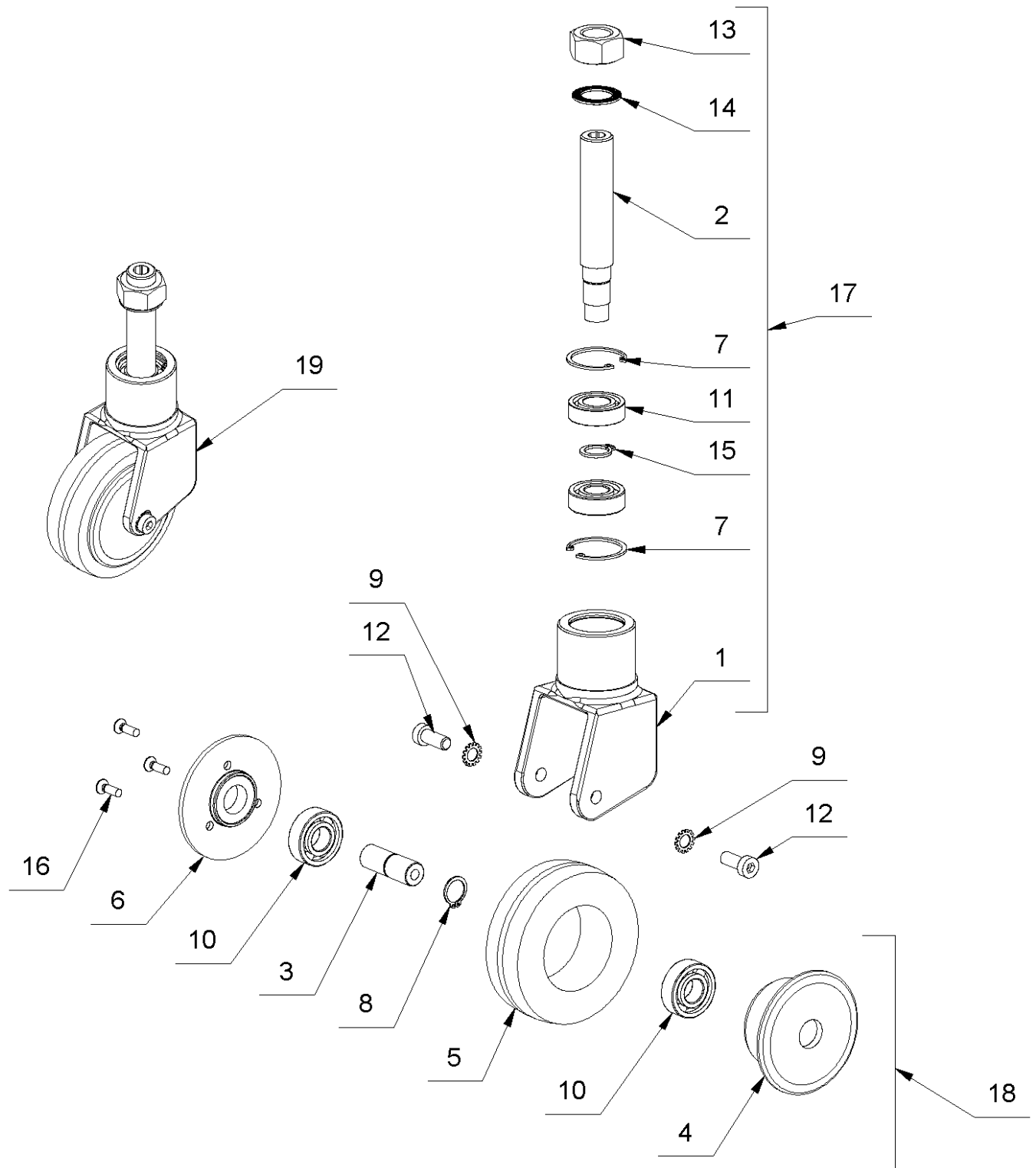
# 10 Carriage



## 10 Carriage

Item no.	Article no.	Description	Quantity
1	052471	Gear lever Cobra 09	1
2	052472	Rocker arm Cobra 09	1
3	052473	Chassis axis Cobra 09	1
4	066294	Tow bar lower part 5fach Cobra 09	1
5	016415	Steering and wheel rim Cobra/Viper/Pytho	1
6	016171	Vulcolan tyre Cobra/Viper/Python	1
7	016416	Wheel cover Cobra/Viper/Python	1
8	053287	Hinged foot Cobra 09	1
9	018101	Safety washer A15 DIN 471	3
10	016701	ZZZCountersunk screw see 16312	3
11	037082	Wheel compl.Cobra/Viper/Python	1
12	014732	Cylinder head screw M8x10 DIN 912	2
13	056142	Cylinder head screw M12x50 DIN 6912	2
14	016993	Cylinder head screw M8x55 DIN 912	1
15	016430	Cylinder head screw M8x35 DIN 6912	1
16	043831	lock washer 10 DIN 128	1
17	037940	Three-star grip nut D63 x M10	1
18	018351	Ball bearing 6202 2RS	2
19	067685	Friction bearing GSM 1517-15	2
20	016175	Tension spring Cobra	1
21	059669	Pressure spring VD-212C / 19,80x44x1,60	1
22	014828	Washer M8 DIN 125 A	3
23	014816	Hexagon nut M8 DIN 985	2
24	014811	Hexagon nut M 10 DIN 934	2
25	053246	Chassis cpl. Cobra 09	1
26	052953	Bushing 2510	2
27	016422	Socket for wheel axle Cobra/Viper/Python	1
28	016446	Distance bushing 18x12x11 Cobra	1

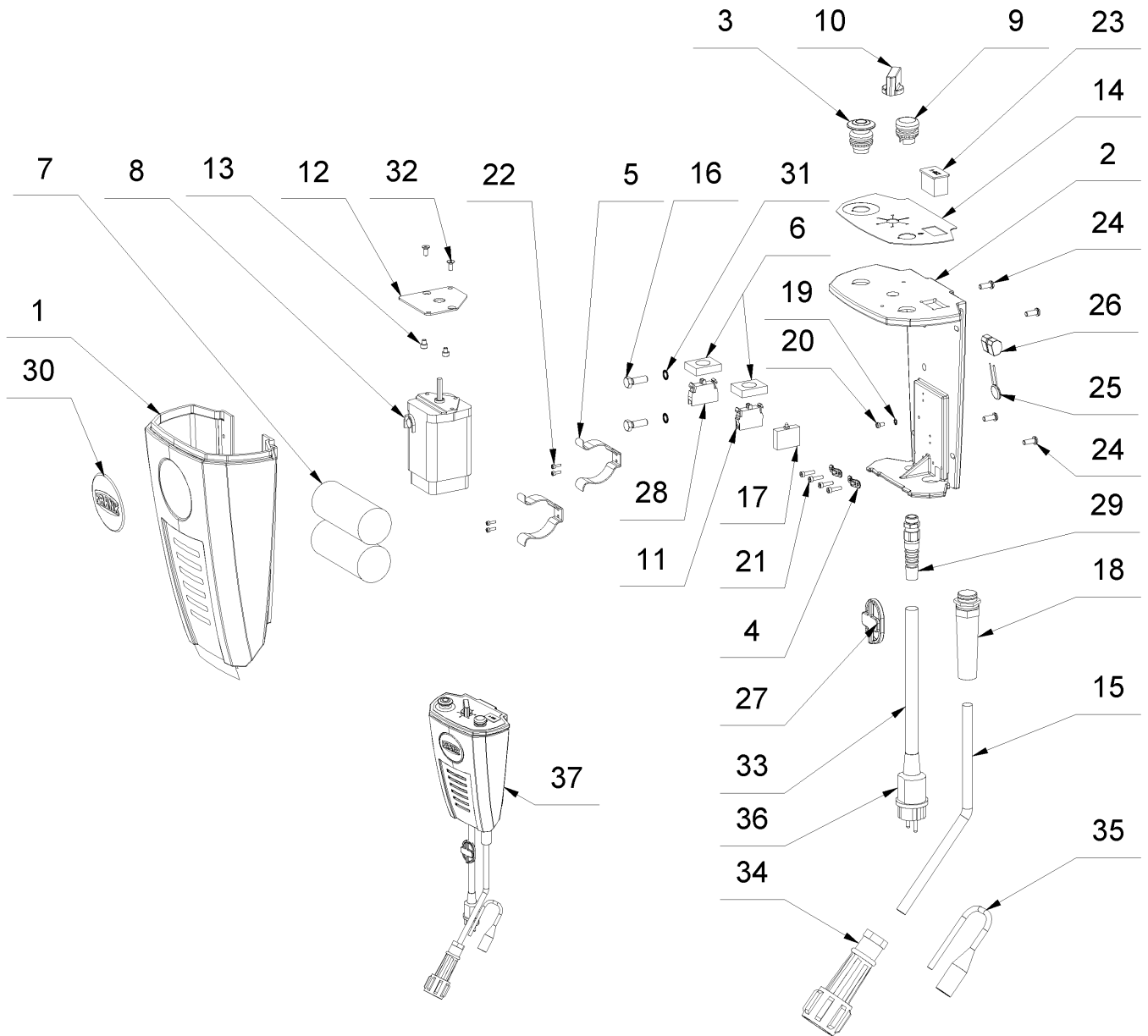
# 11 Caster



## 11 Caster

Item no.	Article no.	Description	Quantity
1	016406	Steering wheel fork Cobra/Viper/Python	1
2	016410	Casting shaft Cobra/Python	1
3	014601	Caster wheel Cobra/Viper/Python	1
4	016415	Steering and wheel rim Cobra/Viper/Pytho	1
5	016171	Vulcolan tyre Cobra/Viper/Python	1
6	016416	Wheel cover Cobra/Viper/Python	1
7	018091	Circlip I35 DIN472	2
8	018101	Safety washer A15 DIN 471	1
9	016321	Spring washer A 8,4 DIN 6798	2
10	018351	Ball bearing 6202 2RS	3
11	018359	Ball bearing 6003 2RS	1
12	016413	Cylinder head screw M6x150 DIN 912	2
13	039981	Hexagon nut M20x1,5 DIN 934	1
14	074979	Washer M20	1
15	014850	Safety washer A17 DIN 471	1
16	016312	Countersunk bolt M5x16 DIN 7991 10.9	3
17	047064	Steering wheel fork without wheel Cobra	1
18	048583	Steering Wheel compl	1
19	016380	Steering wheel with fork cpl.	1

# 12 Cockpit





## 12 Cockpit

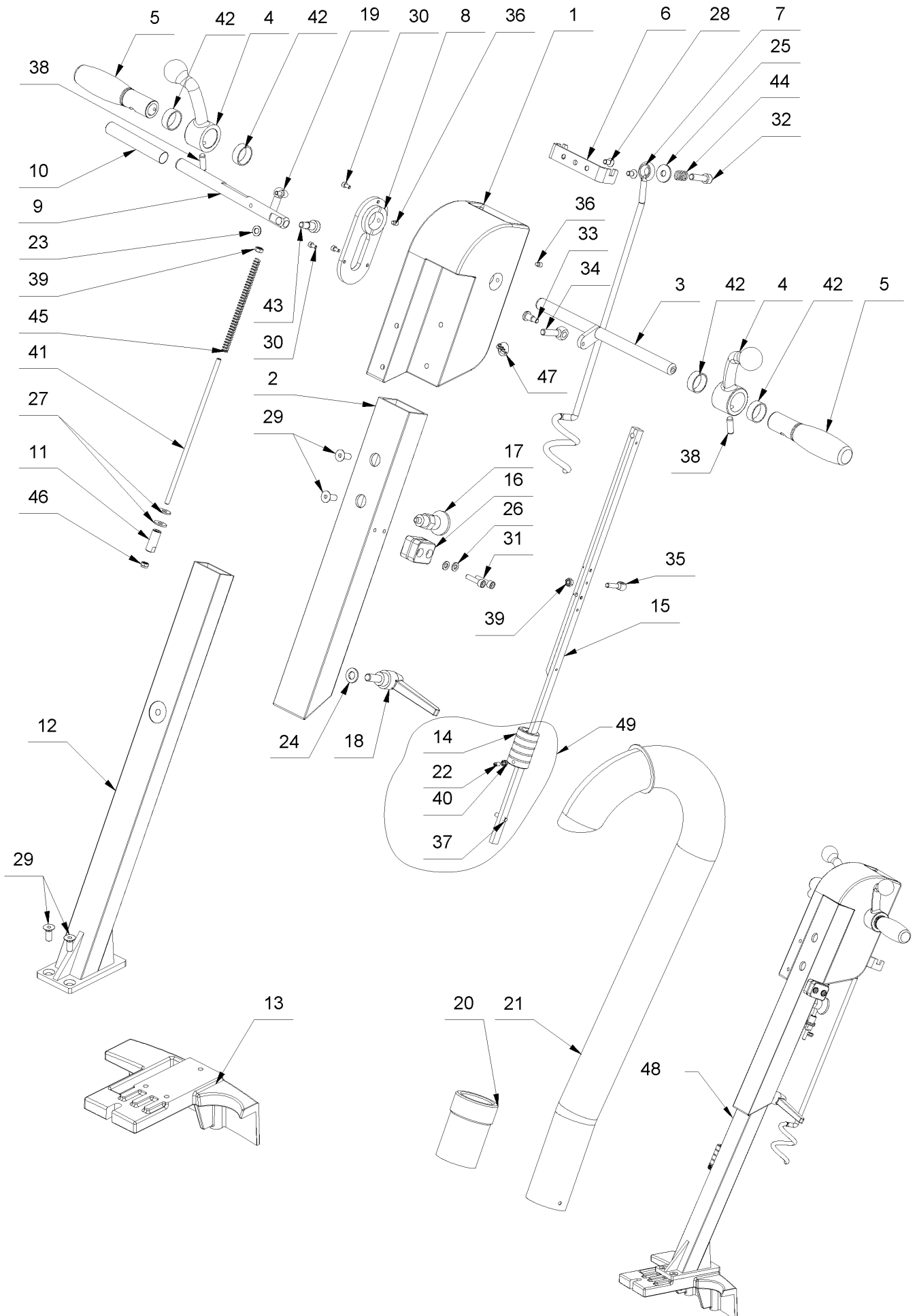
Item no.	Article no.	Description	Quantity
1	052373	Cover Cockpit Cobra 09	1
2	052368	Support cast Cockpit Cobra 09	1
3	052443	Safety switch	1
4	015211	Cable clamp Motor Duro 2.0	2
5	052434	Spring clamps Cobra 09	2
6	017503	Adapterattachment	2
7	043843	Start Capacitor 60 µF Ducati	2
8	043869	Switch NR152678 Cobra	1
9	052444	Pushbutton Cobra 09	1
10	043875	Switch Knob	1
11	017505	Contact element shut NO	1
12	053073	Adapting plate f.switch Cobra 09	1
13	018276	Cylinder head screw M5x6 DIN 912	2
14	130515	Slide display orange Cobra 09	1
15	053025	Control line Cobra 09	1
16	014775	Hexagon bolt M 8x25 DIN 933	2
17	038638	LED for signal lamp	1
18	053004	Screw connection w.bending prot. M25x1,5	1
19	017663	Tooth lock washer 4.3 Form A DIN 6797	1
20	017473	Cylinder head screw M4x8 DIN 84 brass	1
21	017743	Cylinder head screw M4x16 DIN 912	4
22	014715	Cylinder head screw M3x10 DIN 912	4
23	078604	Digital meter with large clip Cobra09	1
24	017552	Lens head screw M 6x16 ISO 7380	4
25	056885	Varistor Cobra 09	1
26	050146	Connecting terminal 2-fold	2
27	067749	cable retention	1
28	017507	Contact element open NC	1
29	038585	Strain relief w.bending prot.M16x1,5	1
30	137491	Label Frank 3D Ø80mm	1
31	014860	Schnorr Washer M8	2
32	017747	Countersunk screw M5x12 DIN 7991	2
33	053026	El.cord 3G2,5x0,4m grey w.plug	1
34	052431	Jack 7pol Cobra 09	1

## 12 Cockpit

---

Item no.	Article no.	Description	Quantity
35	052583	Jack Cobra 09	1
36	039203	Plug grey	1
37	060280	Cockpit cpl. 230V/50Hz Cobra 09 Pallmann	1

# 13 Handle



## 13 Handle

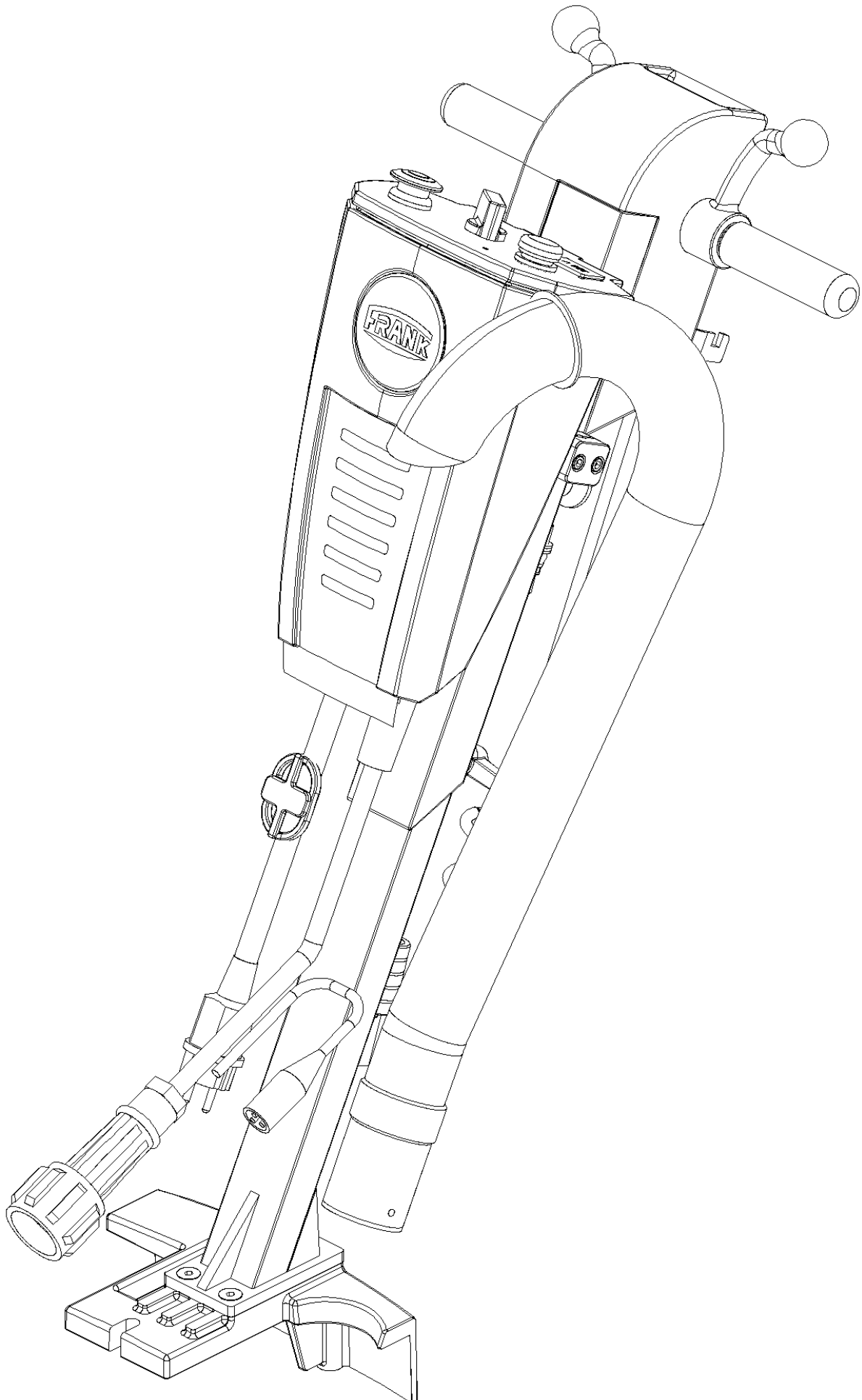
Item no.	Article no.	Description	Quantity
1	052375	Cover grip Cockpit Cobra 09	1
2	052611	Outside tubeCobra 09	1
3	052629	Shaft f. lowering device Cobra 09	1
4	052538	Lever to operate Cobra 09	2
5	081808	Grip with coating Cobra 09	2
6	016521	Cable support Cobra/Viper/Python	1
7	014548	Cable arm long Viper	1
8	052486	Bearing cover Cobra 09	1
9	052485	Lever Cobra 09	1
10	082068	PVC-hand grip Wega black	1
11	054529	Adjustment nut Cobra 09	1
12	066293	SG Inside tube5fach Cobra 09	1
13	052390	Handle bracket Cobra 09	1
14	053105	Box tow bar Cobra 09	1
15	055870	Tow bar upper part soft cpl. Cobra 09	1
16	079023	Camp f.key SW 6	1
17	037953	Fixing pin	1
18	037952	Clamping lever GN300-92-M10-32 SW	1
19	016632	Angle joint Cobra/Viper/Python	1
20	062045	Suction nozzle Dust / Cobra09	1
21	052684	Dust pipe Staubrohr Cobra 09	1
22	053418	Elastic pressure pieceM6 M5 NLN 0300-0	1
23	017656	Shim ring 8x14x1 DIN 988	1
24	014829	Washer M10 DIN 125 A	1
25	018737	Washer 8,4x24x2 DIN 9021 galv.	1
26	014827	Washer M6 DIN 125 A	2
27	017724	Washer DIN 9021 6,4x18x1,6	2
28	014755	Countersunk screw M6x12 DIN 7991 10.9	2
29	014760	Countersunk screw M8x20 DIN 7991 10.9	5
30	018280	Cylinder head screw M4x8 DIN 912	3
31	014731	Cylinder head screw M6x25 DIN 912	2
32	014736	Cylinder head screw M8x30 DIN 912	1
33	052489	Flat head screw hardened Cobra 09	1
34	047216	Eye screw M8x40 DIN 444	1

## 13 Handle

Item no.	Article no.	Description	Quantity
35	074815	Ring screw M6x30	1
36	014792	Headless pin M6x10 DIN 915	2
37	018135	Cylindrical pin 5x 20 DIN 7	1
38	053824	cylindrical pin 8x 24 DIN 7979	2
39	014809	Hexagon nut M6 DIN 934	2
40	017773	Hexagon nut M5 DIN 934	1
41	054528	Control rod Cobra 09	1
42	052953	Bushing 2510	4
43	052936	Screw M8x12 DIN 7379	1
44	043827	Pressure spring 13x20x1,5	1
45	016638	Pressure spring 9x167x1,2	1
46	014815	Hexagon nut M6 DIN985	1
47	072687	Stopper 12,7-14,3 mm black	1
48	053248	Handle cpl. Cobra 09	1
49	053419	Sliding collar Cobra 09	1

## 14 Handle compl.

---

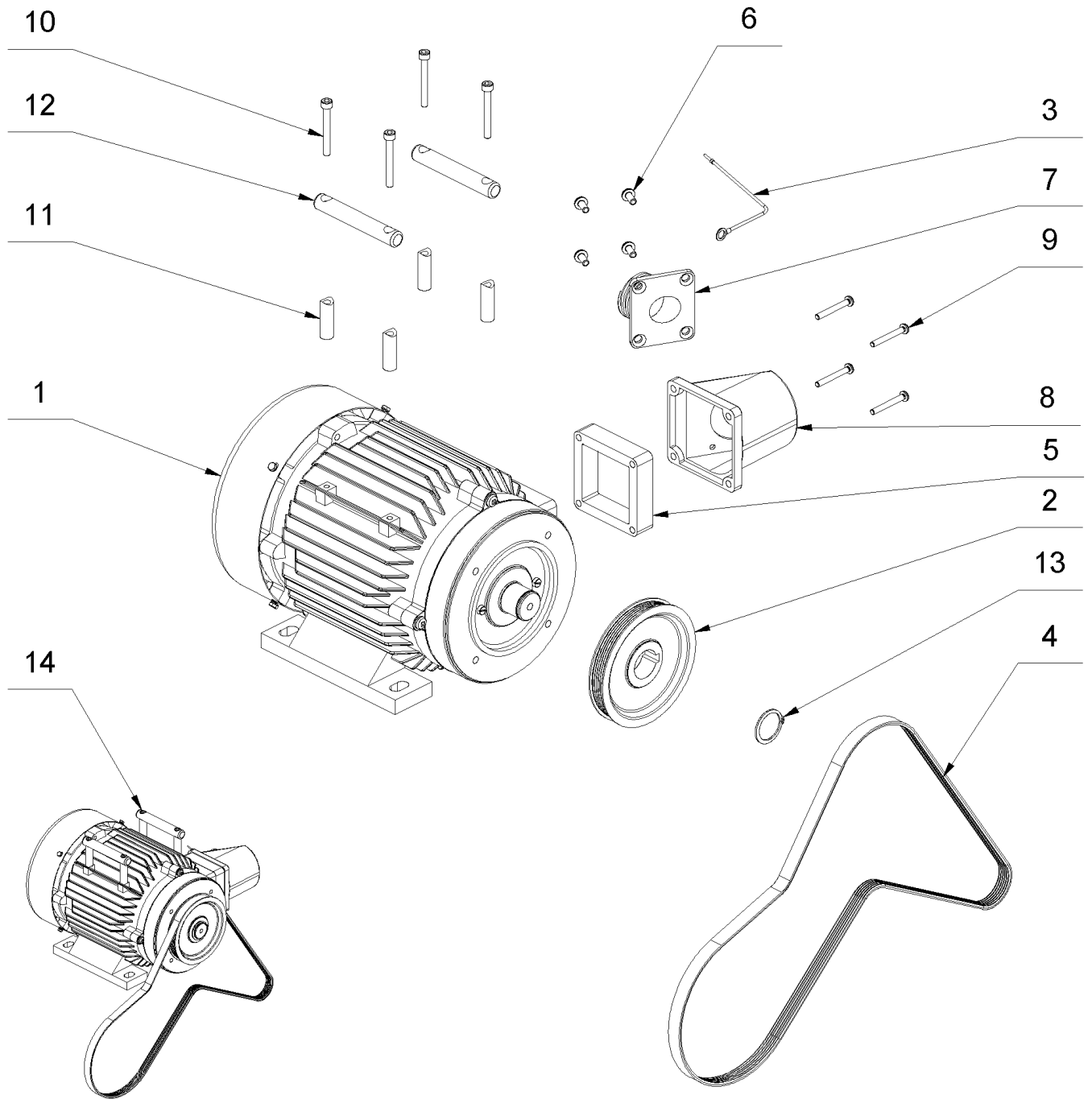


## 14 Handle compl.

---

Item no.	Article no.	Description	Quantity
1	078773	Handle with cockpit cpl. Cobra 09 FRANK	1
2	062845	Handle with cockpit cpl. Cobra 09 CH	1

# 15 Motor

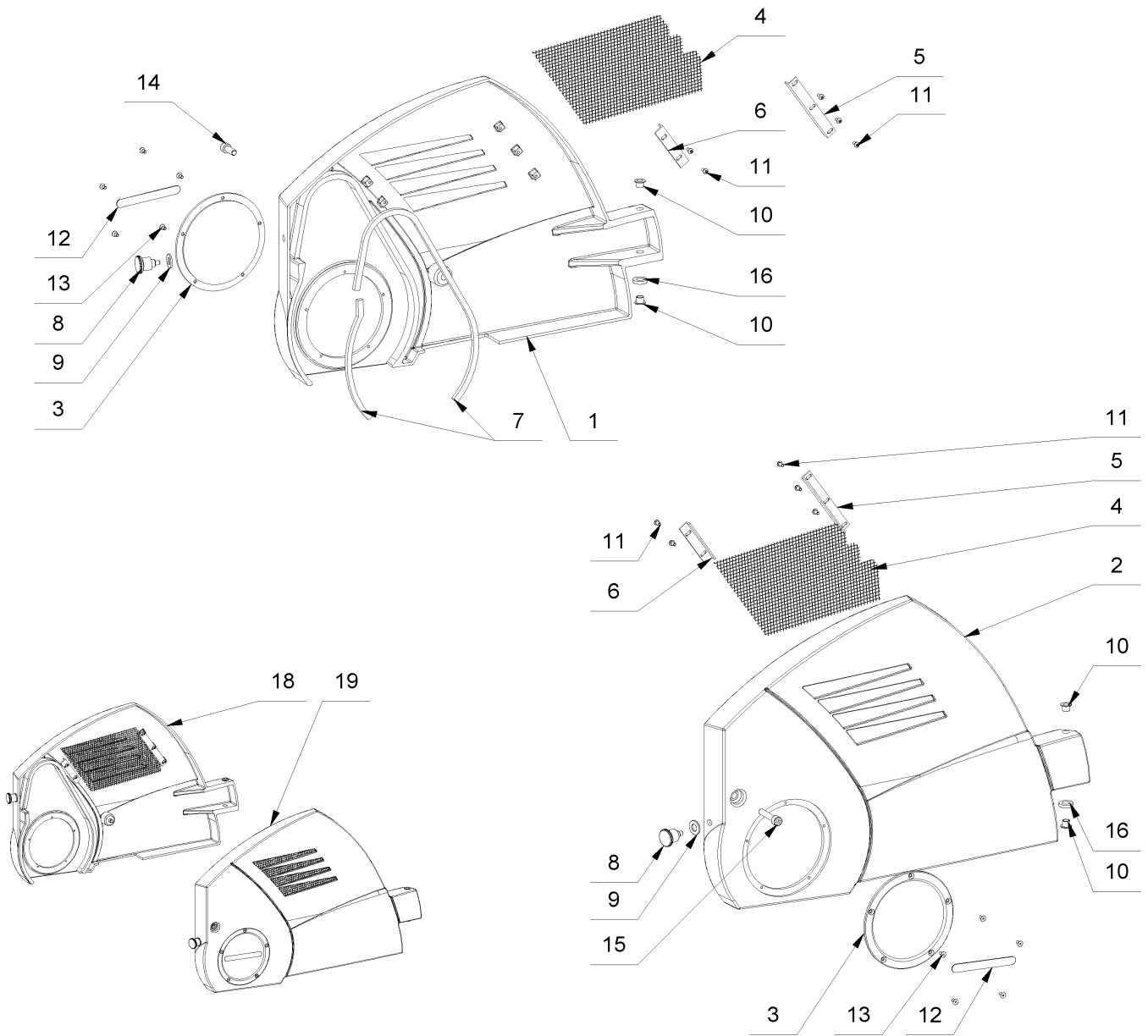




## 15 Motor

Item no.	Article no.	Description	Quantity
1	052419	Motor 2,5kW/50Hz/230V Cobra 09	1
2	052462	Belt pulley motor Cobra 09	1
3	053485	Cable set Motor Cobra 09	1
4	052417	Poly-v-belt 6PJ 1194 Cobra 09	1
5	052613	Distance piece Cobra 09	1
6	in 052419	Cylinder head bolt	1
7	052420	Mounted connector 7-pol Cobra 09	1
8	052433	Adapter 7pol Cobra 09	1
9	052624	Screw self-tapping M5x40 DIN 7500	4
10	018262	Cylinder head screw M6x50 DIN 912	4
11	053048	Handle motor part1 Cobra 09	4
12	053049	Handle motor part2 Cobra 09	2
13	043893	Safety washer A28 DIN 471	1
14	053250	Motor cpl.2,5kW/230V/50Hz Cobra 09	1

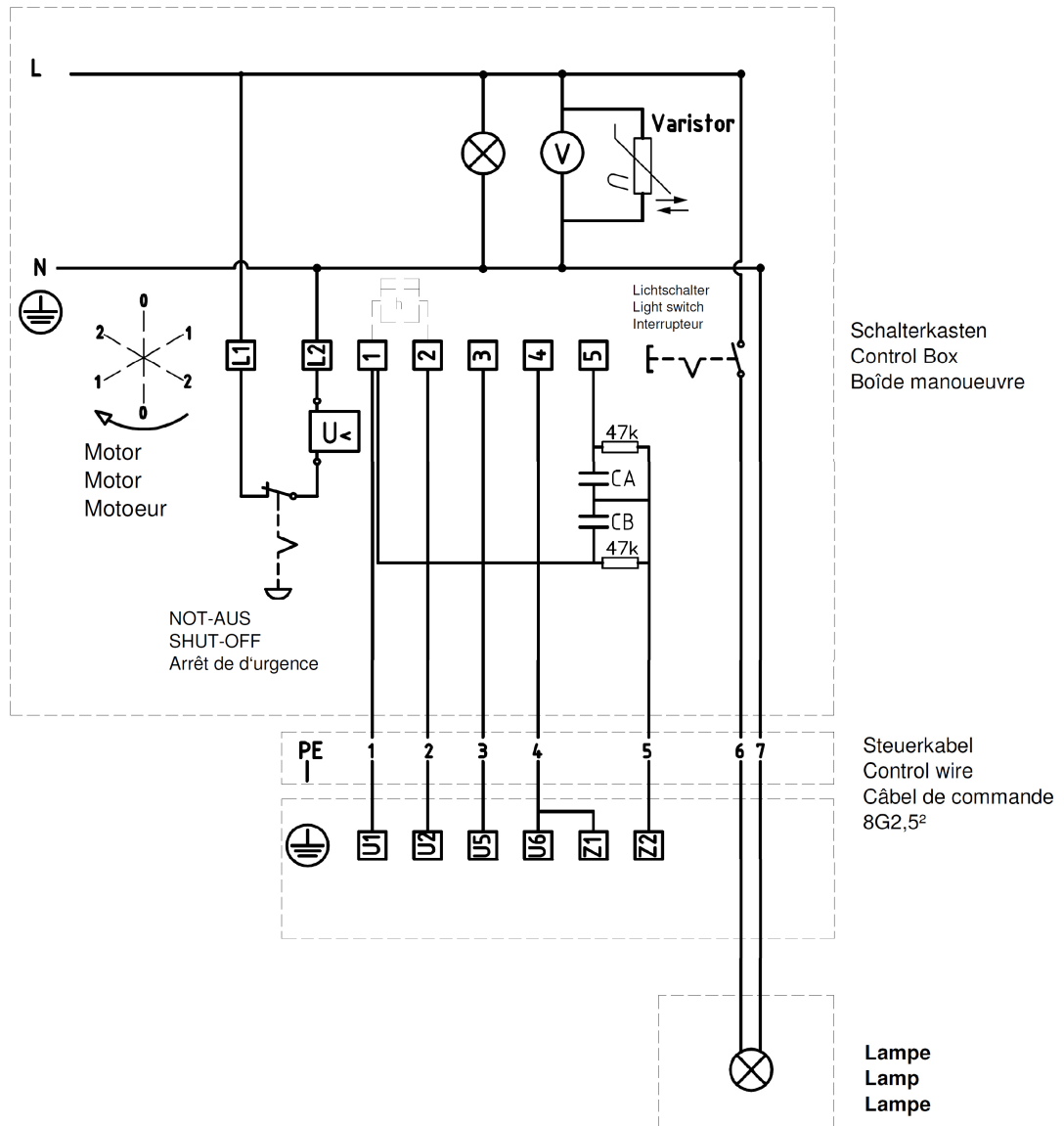
# 16 Cover



## 16 Cover

Item no.	Article no.	Description	Quantity
1	052361	Cylinder door right Cobra 09	1
2	052364	Belt door left Cobra 09	1
3	052595	Door panel Cobra 09	2
4	060283	WirefenceCobra 09 Pallmann	2
5	053460	Bracket 111mm Cobra 09	2
6	053459	Bracket 72mm Cobra 09	2
7	056533	Sealing set cover right 51/19cm	2
8	052440	Arresting bolt	2
9	014829	Washer M10 DIN 125 A	2
10	052490	Bushing BB 08085	4
11	056488	Lens head screw M4x 8	10
12	129933	Label Frank tec inside orangeCobra09	1
13	018324	Countersunk screw M4x8 DIN 7991 10.9	10
14	014734	Cylinder head screw M8x20 DIN 912	1
15	014738	Cylinder head screw M 8x40 DIN 912	1
16	053482	Plastic spacer 10,5x20x4 black	2
18	060275	Door on the right cpl. Cobra 09 Pallmann	1
19	060277	Door on the left cpl. Cobra 09 Pallmann	1

# 17 Circuit diagram



## 17 Circuit diagram

---

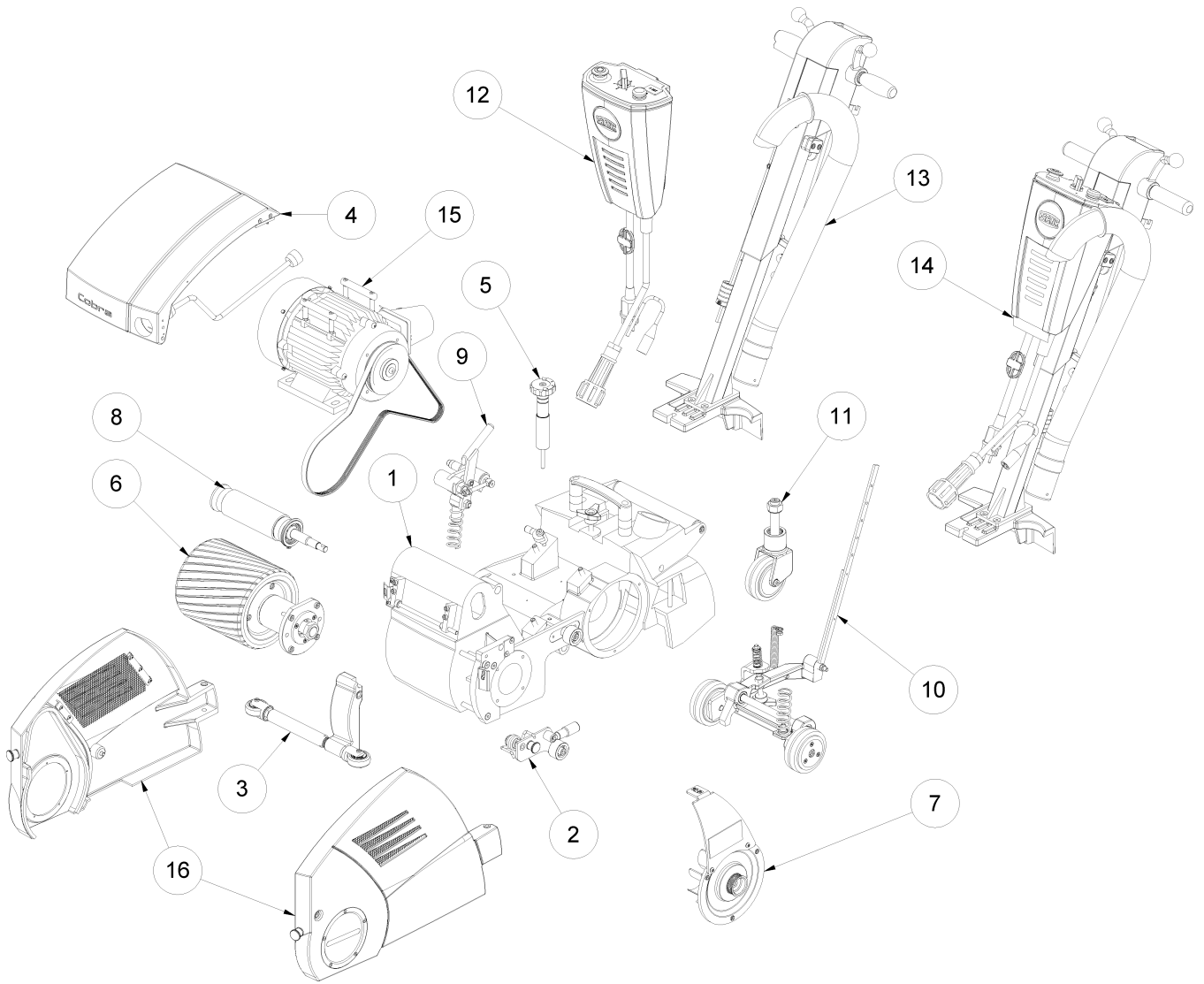
## 18 Tool kit #060281

Article no.	Description	Quantity
016842	Open-ended wrench SW10	1
016799	Open-end wrench SW13	1
017601	Open-end wrench SW17	1
016800	Open-end wrench SW19	1
018635	Open-end wrench SW24	1
043826	Double open-end wrench SW30/36	1
017027	Hexagonal screw key SW4 DIN 911	1
014956	Hexagonal screw key SW5 DIN 911	1
014957	Hexagonal screw key SW6 DIN 911	1
014959	Hexagonal screw key SW8 DIN 911	1
018641	Hexagonal screw key SW10 DIN 911	1
060253	Tool bag orange	1
016813	Multi clip URS/Gecko/Cobra/Viper	1

## 19 Accessories

Article no.	Description	Quantity
012624	CORUNDUM SANDING BELT 200 X 750 MM K 36	1
012627	CORUNDUM SANDING BELT 200 X 750 MM K 60	1
012629	CORUNDUM SANDING BELT 200 X 750 MM K 100	1
060282	extension cord3G2,5x12,5 orange/Pallmann	1
060602	Extension cord 3G2,5x12 Schuko AUS 15A	1
062062	Ext.cord 3G2,5x12,5orangeUK230V/Pallm	1
015315	Hearing protectors	1
016732	Fine dust mask Gecko/URS/Cobra	1
052441	DUST BAG BAG IN BAG COBRA 09 PALLMANN	1
071729	DUST BAG STANDARD COBRA 09 PALLMANN	1
052442	SINGLE USE DUST BAG COBRA 09	1
062045	Suction nozzle Dust / Cobra09	1
074585	Poly V Belt 6PJ 1285 Cobra 09	1
048681	Wheel adjustment aid compl. Viper/Cobra	1
053131	Halogen lamp cpl.230V Cobra 09	1
080442	Retrofit set 2.tension roller Cobra09	1

# 4 Frank Cobra 09 230V EU (0424/2012 - 0661/2015)

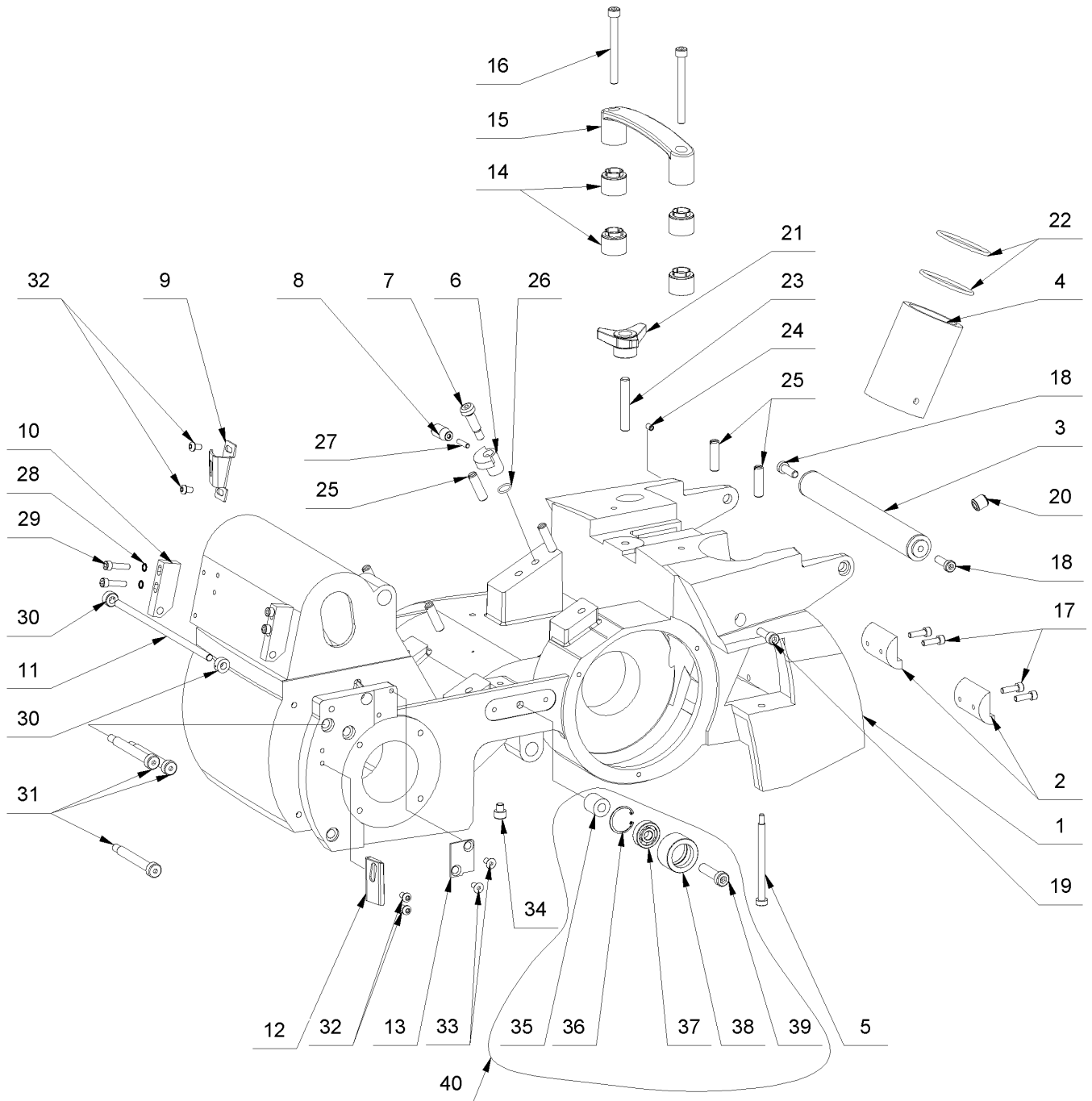




## 4 Frank Cobra 09 230V EU (0424/2012 - 0661/2015)

Item no.	Article no.	Description
1	02_01_062228	Housing
2	03_02_053277	Belt Holding Fixture
3	03_03_062228	Handle
4	01_04_062228	Cover
5	01_05_062228	Pressure regulation
6	01_07_062228	Sanding drum bearing
7	01_08_062228	Fan
8	01_09_016845	Tension roller
9	01_10_062228	Roller clamo
10	04_11_053246	Carriage
11	01_12_016380	Caster
12	01_13_078772	Cockpit
13	03_14_053248	Handle
14	03_15_054511	Handle compl.
15	04_16_053250	Motor
16	01_17_062228	Cover
17	01_18_062228	Circuit diagram
18	01_19_060281	Tool kit #060281
19	01_20_062228	Accessories

# 1 Housing



# 1 Housing

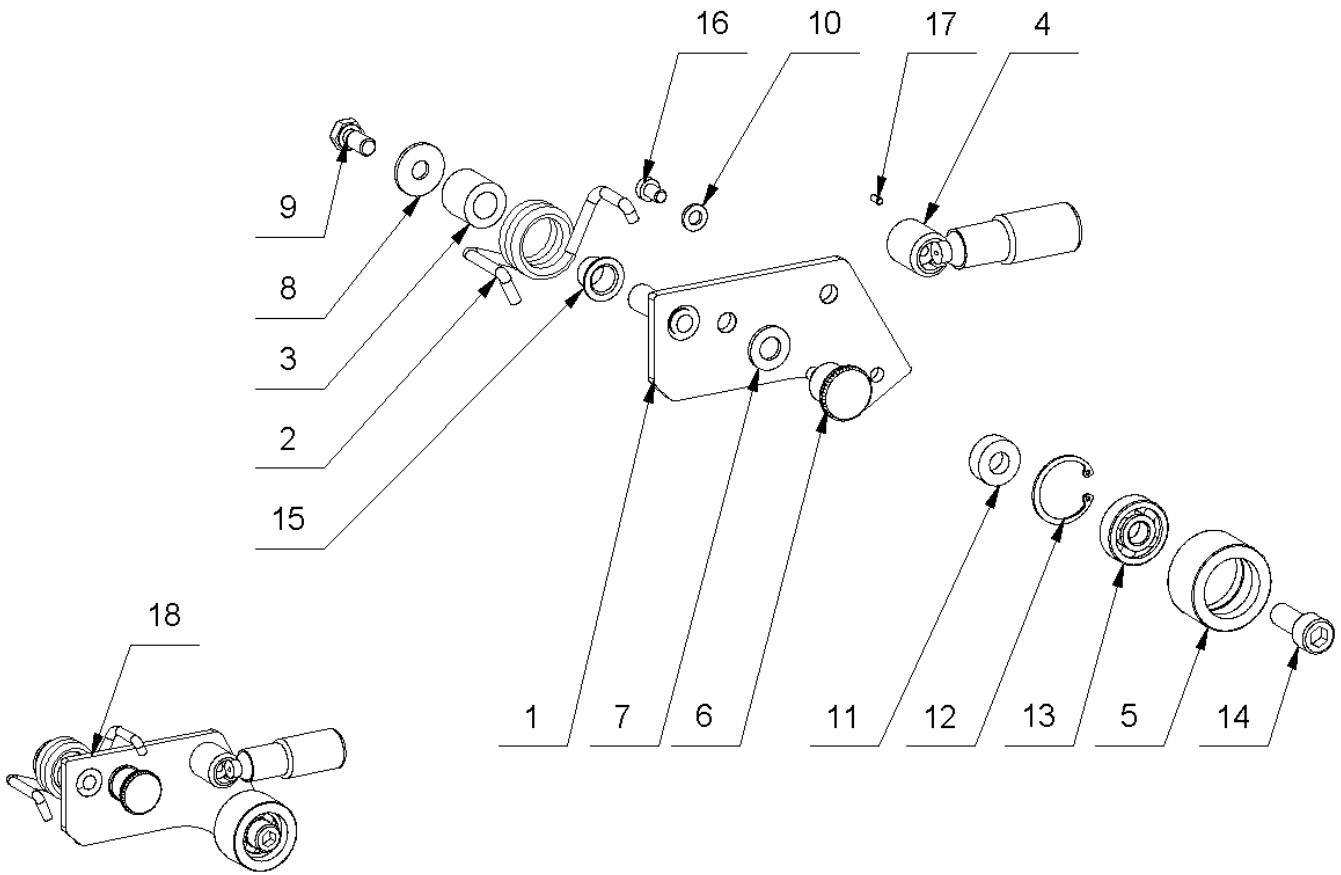
Item no.	Article no.	Description	Quantity
1	052299	Chassis Cobra 09	1
2	052689	Edge protection Cobra 09	2
3	052507	ZB Carry handle behind Cobra 09	1
4	052593	Sock dust pipe Cobra 09	1
5	052627	Screw M 6x90 DIN 7379	2
6	053077	Bar for motor Cobra 09	1
7	053030	Screw M10x25 DIN 7379	1
8	053426	Cylindr.knob Cobra 09	1
9	053922	Right door lock Cobra 09	1
10	053114	Hood angle Cobra 09	2
11	059611	Shaft Cobra 09	1
12	053921	Left door lock Cobra 09	1
13	053221	Stop plate stop bolt Cobra 09	1
14	056814	Distance bushing for U-handle	4
15	056811	Handle grip GN628 150mm	1
16	018249	Cylinder head screw M8x80 DIN 912	2
17	018706	Lens head screw M6x20	4
18	016365	Cylinder head screw M10x45 DIN 6912	2
19	014735	Cylinder head screw M8x25 DIN 912	1
21	037940	Three-star grip nut D63 x M10	1
22	052952	O-Ring 57x3	2
23	053041	Stud bolt M10x45 DIN 835	1
24	049055	Headless pin M6x10 DIN 914	1
25	052452	Shaft screw M10x35 DIN 427	6
26	053468	O-Ring 12x1	1
27	018203	Headless pin M5x20 DIN 913	1
28	014859	Schnorr washer M6	4
29	017678	Cylinder head screw M6x30 DIN 912	4
30	059599	Adjusting ring Ø 8 DIN 705 A	2
31	052451	Screw M 8x70 DIN 7379	3
32	014799	Lens head screw M6x10	4
33	014755	Countersunk screw M6x12 DIN 7991 10.9	2
35	052488	Distance bushing guide pulley Cobra 09	1
36	053318	Circlip I30 DIN 472	1

## 1 Housing

---

Item no.	Article no.	Description	Quantity
37	018353	Ball bearing 6200 2RS HS800	1
38	052468	Tension-/guide pulley Cobra 09	1
39	043915	Cylinder Head Bolt M10x 40 DIN 6912	1
40	053280	Pulley for belt cpl. Cobra 09	1

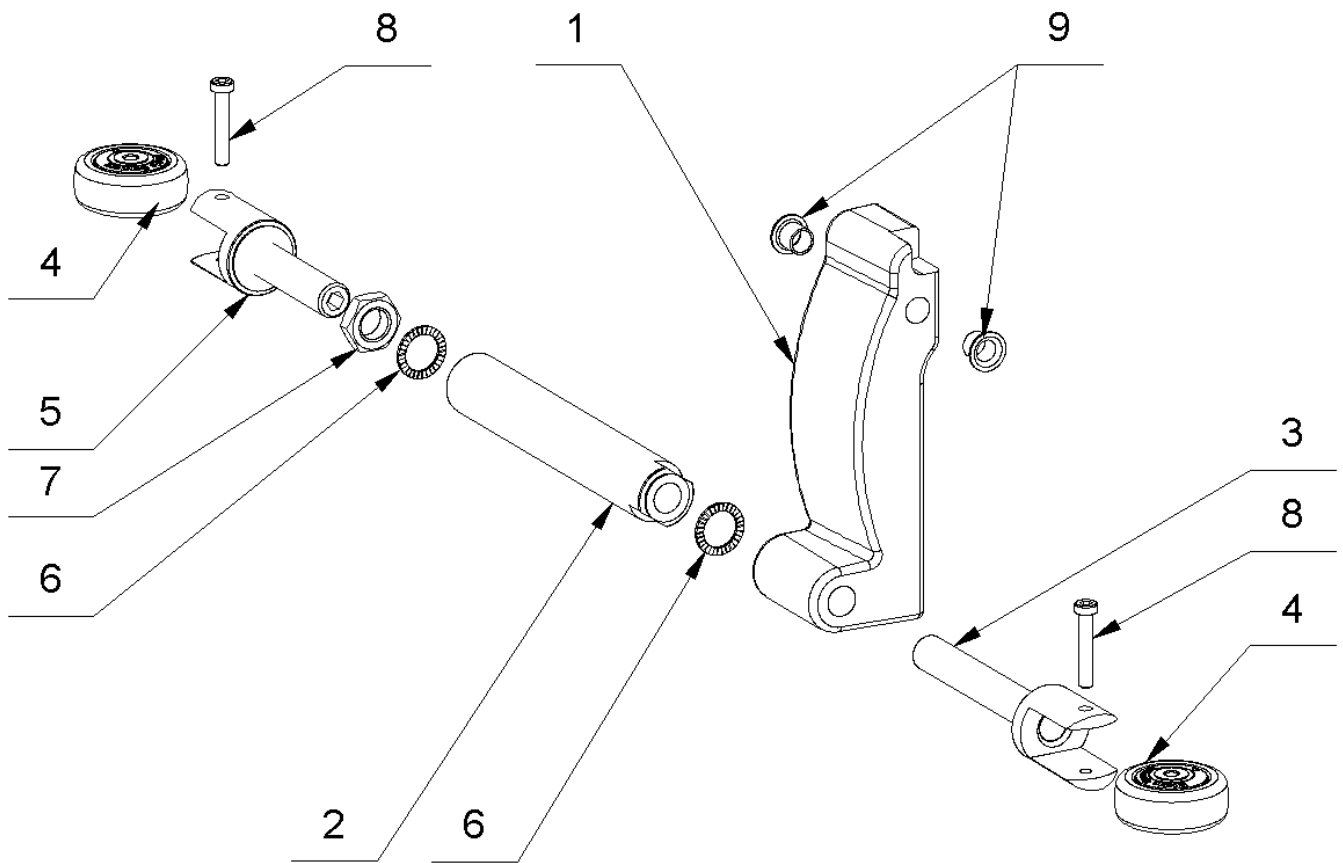
## 2 Belt Holding Fixture



## 2 Belt Holding Fixture

Item no.	Article no.	Description	Quantity
1	088592	Tensioner roller holder Frank Cobra 09	1
2	064322	Lag spring 5mm Cobra 09 Cobra 09	1
3	052487	Distance bushing Cobra 09	1
4	052450	Handle Cobra 09	1
5	052468	Tension-/guide pulley Cobra 09	1
6	052440	Arresting bolt	1
7	014829	Washer M10 DIN 125 A	1
8	018737	Washer 8,4x24x2 DIN 9021 galv.	1
9	018969	Hexagonal screw M 8x 16 DIN 933	1
10	014859	Schnorr washer M6	1
11	052690	Distance bushing 21x10x8 Cobra 09	1
12	053318	Circlip I30 DIN 472	1
13	018353	Ball bearing 6200 2RS HS800	1
14	049654	Cylinder head screw M10x25 DIN 912	1
15	018765	Bushing 1212 DU	1
16	014725	Cylinder head screw M6x10 DIN 6912	1
17	053901	Clamping sleeve 3x6 DIN 7346	1
18	053277	Belt tensioner cpl. Cobra 09	1

### 3 Handle



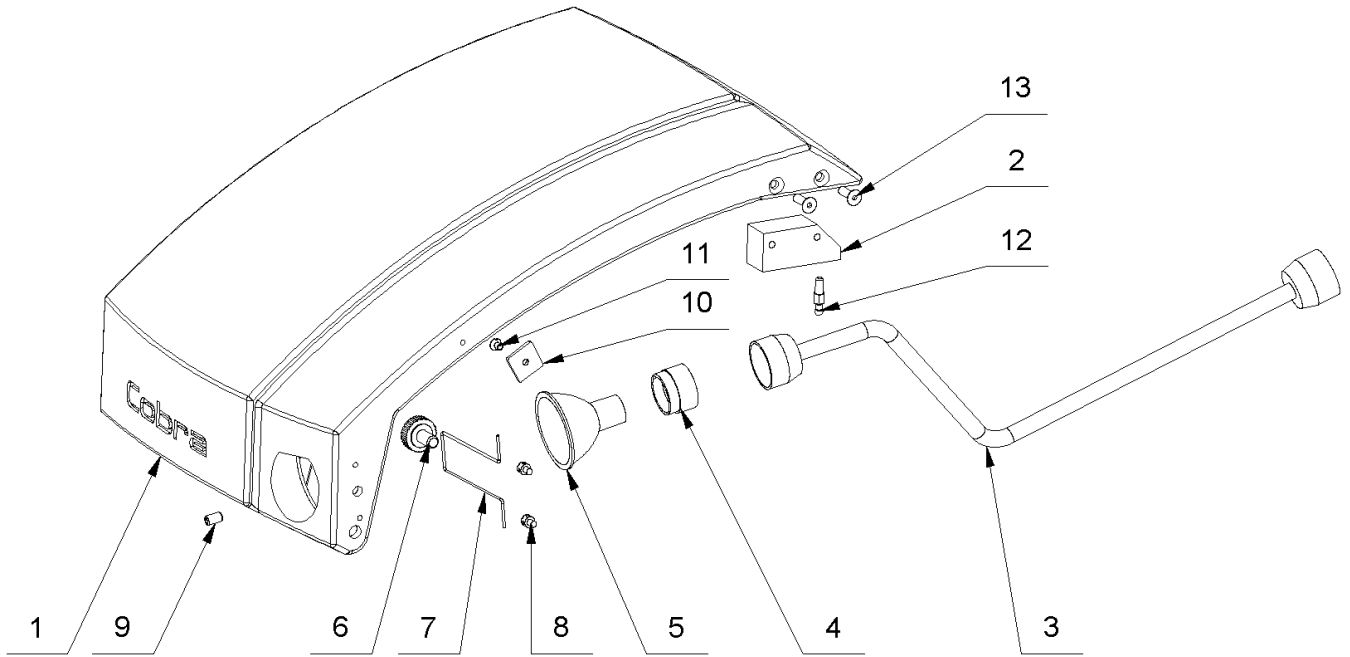
### 3 Handle

Item no.	Article no.	Description	Quantity
1	066944	Handle bracket M16 Cobra 09	1
2	066962	Front carrying handle M 16 Cobra 09	1
3	066945	Holding device li Cobra 09	1
4	060072	Barrier distance roll grey Cobra 09	2
5	068095	Holding device right Cobra 09	1
6	034216	Safety washer M16	2
7	043886	Hexagon M 16 DIN 936	1
8	053071	Cylinder head screw M6x35 DIN 6912	2
9	018682	Bushing BB 1012	2



## 4 Cover

---

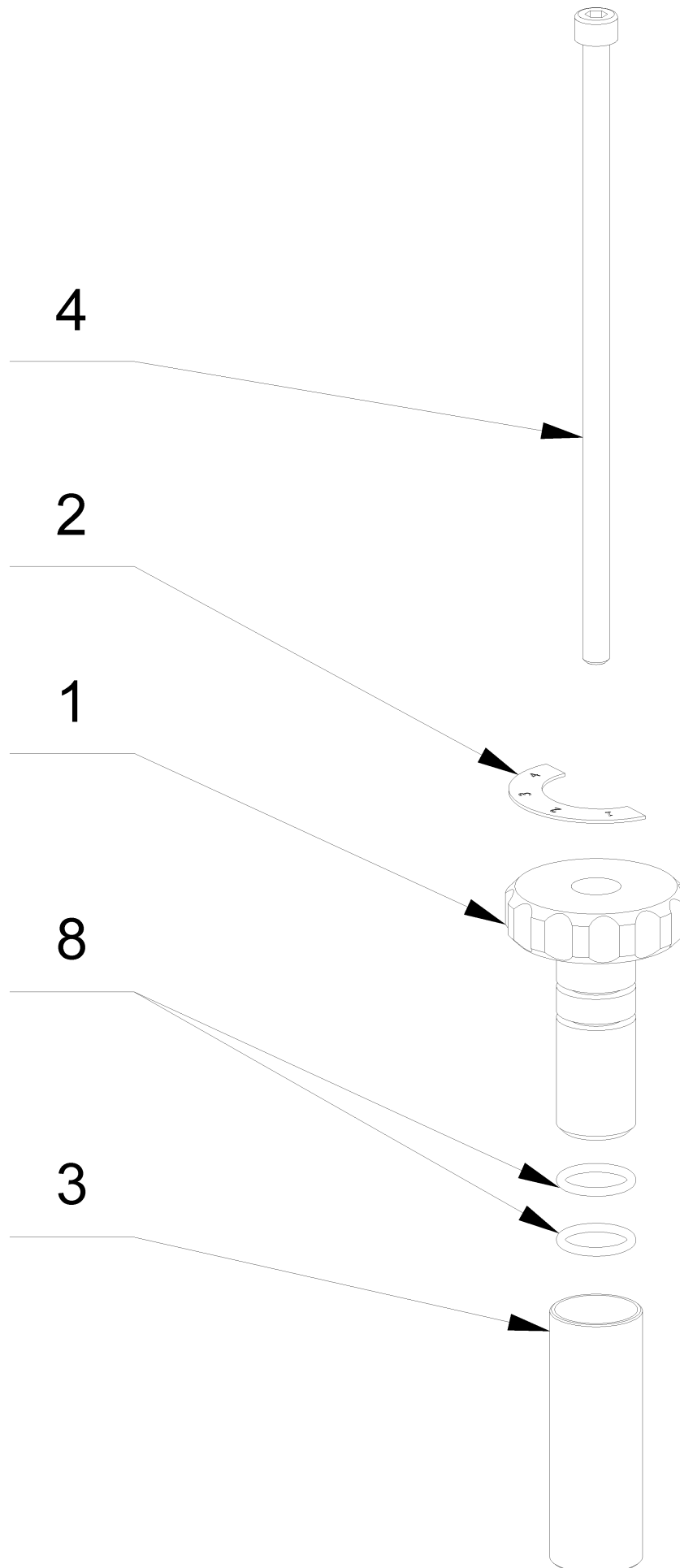


## 4 Cover

Item no.	Article no.	Description	Quantity
1	052366	Cover Cobra 09	1
2	053421	Holder f. nipple Cobra 09	1
3	052582	Connector cable Cobra 09	1
4	052437	Socket GU/GZ10 Cobra 09	1
5	053131	Halogen lamp cpl.230V Cobra 09	1
6	014800	Thumb screw M6x14 Inden	1
7	052449	Clamp halogen lamp Cobra 09	1
8	052587	Cross bolt hole M4x5 Cobra 09	2
9	049055	Headless pin M6x10 DIN 914	1
10	053445	Adhesive base Cobra 09	4
11	016469	Countersunk screw M4x6 DIN 963	1
12	052164	RAPID-nipple	1
13	016312	Countersunk bolt M5x16 DIN 7991 10.9	2

## 5 Pressure regulation

---

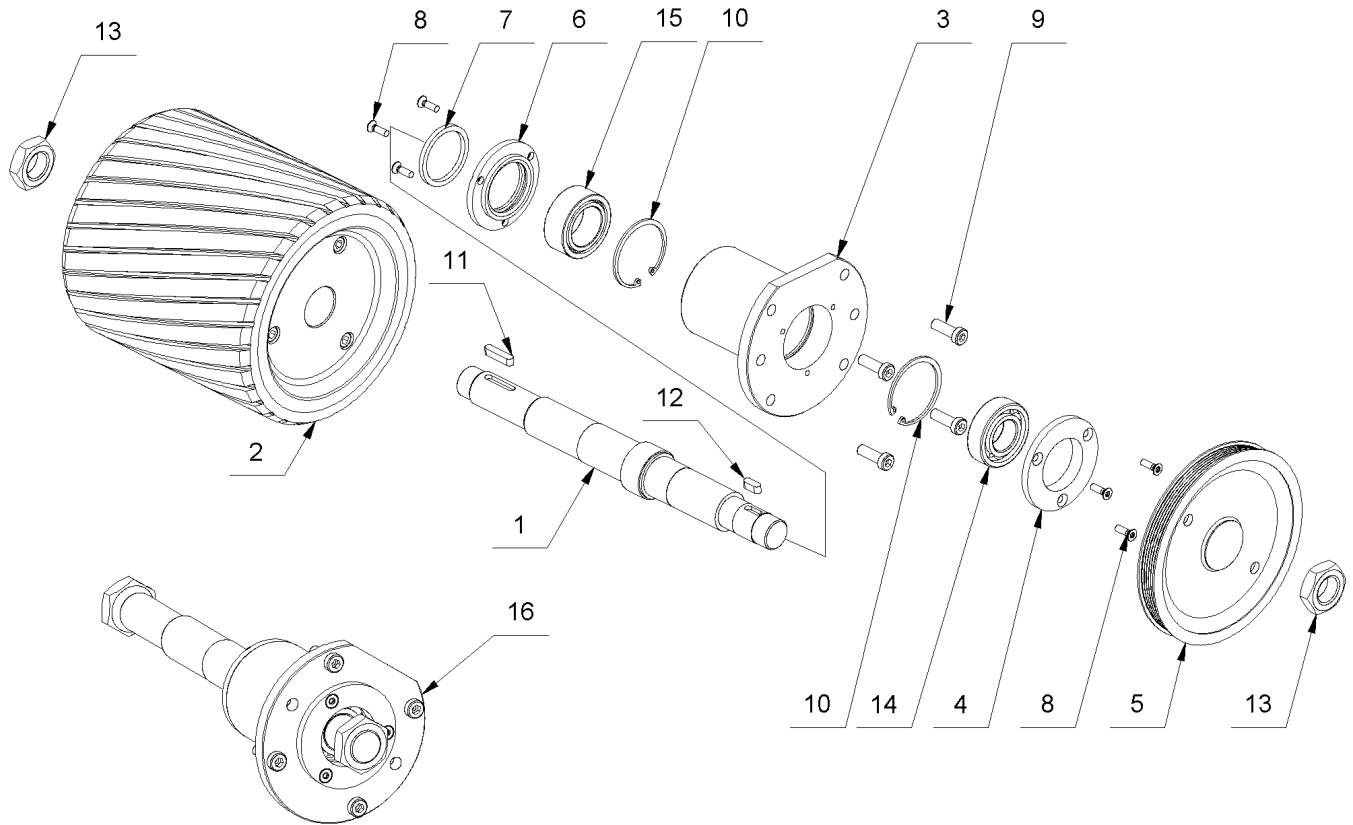


## 5 Pressure regulation

---

Item no.	Article no.	Description	Quantity
1	016327	Regular screw Cobra/ Python	1
2	053314	Label roller printing Cobra 09	1
3	054727	Threaded sleeve Cobra 09	1
4	052615	Cylinder head screw M8x180 DIN 912	1
5	043853	Marking ring black	2

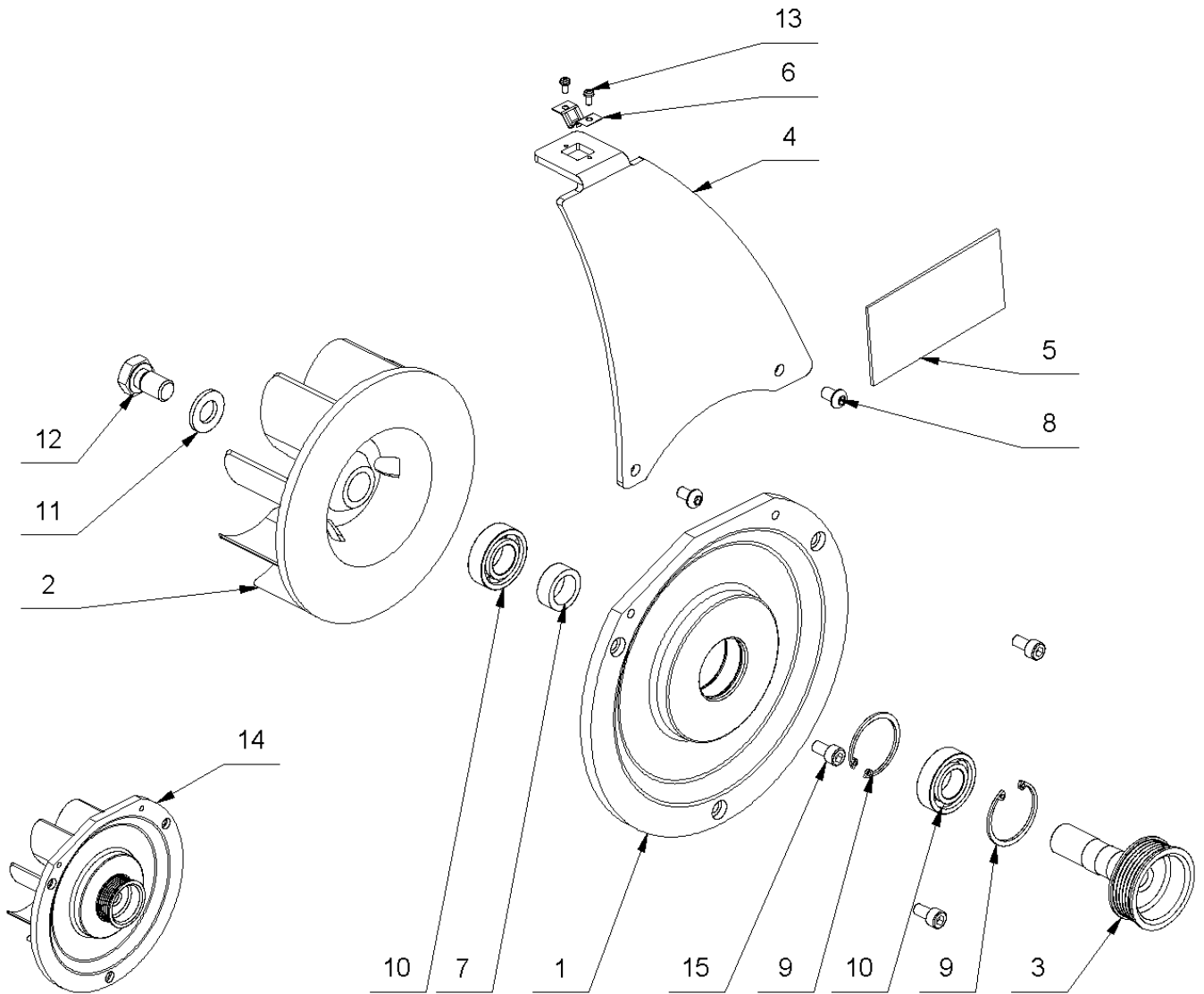
## 6 Sanding drum bearing



## 6 Sanding drum bearing

Item no.	Article no.	Description	Quantity
1	052470	Grinding roller shaft Cobra 09	1
2	013587	Grinding roller for Cobra	1
3	016364	Drum bearing flange Cobra	1
4	052482	Cover Cobra 09	1
5	052466	Belt pulley drum Cobra 09	1
6	016366	Inner drum cover Cobra	1
7	016188	Felt sealing ring Cobra/Viper/Python	1
8	080377	Countersunk screw M5x16 (Torx)	6
9	016365	Cylinder head screw M10x45 DIN 6912	4
10	014857	Safety washer I52 DIN 472	2
11	016361	Nut key 6x6x30 DIN 6885	1
12	016505	Nut key 6x6x16 DIN 6885	1
13	014614	Hexagon nut M24x1,5 DIN936	2
14	018348	Ball bearing 6205 2RS	1
15	016183	Ball bearing Cobra NA49/32 Cobra	1
16	053244	Roller bearing flange cpl.Cobra09/Class.	1

# 7 Fan

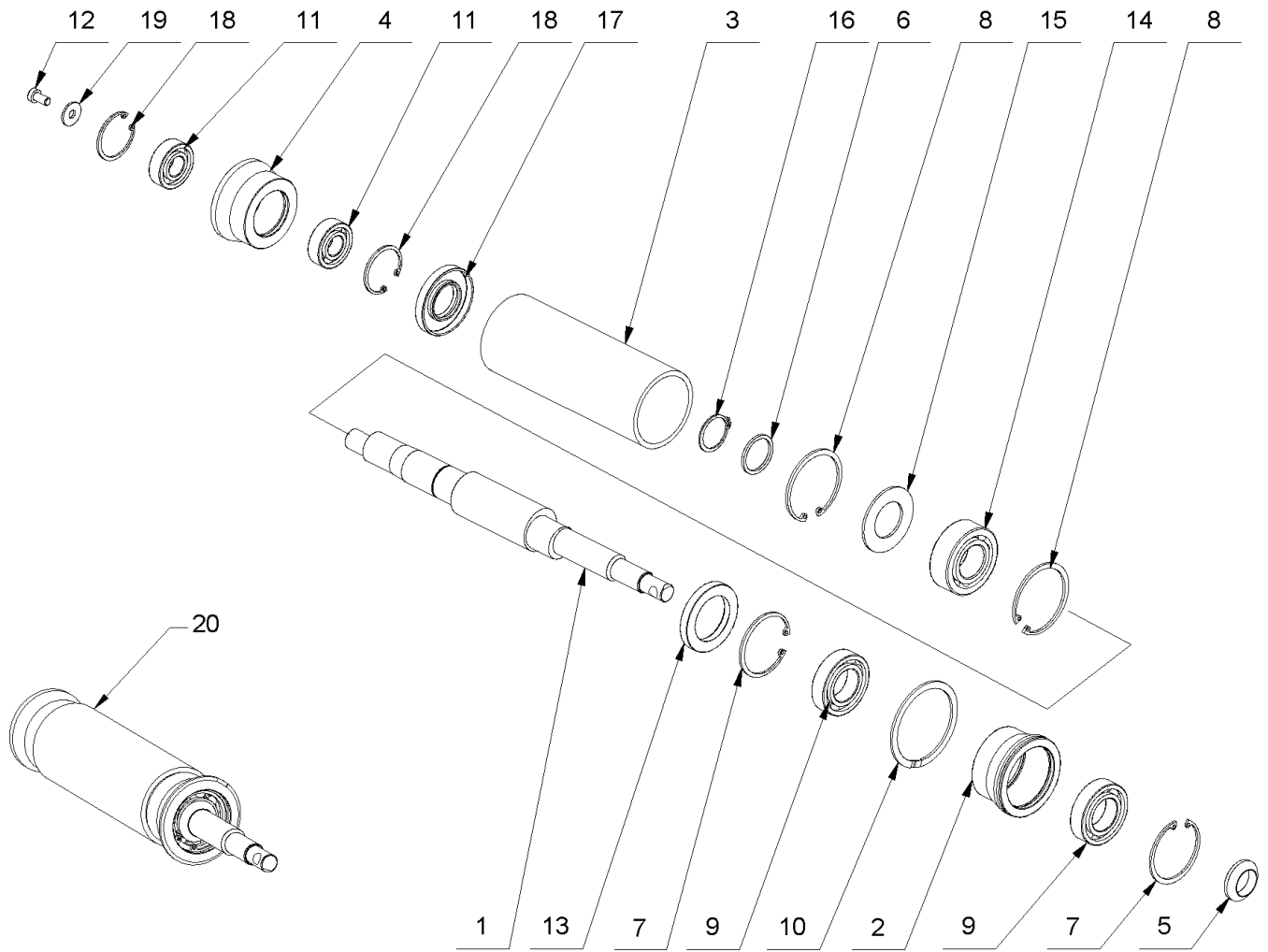


## 7 Fan

Item no.	Article no.	Description	Quantity
1	052469	Fan flange Cobra 09	1
2	014599	Fan wheel Cobra	1
3	052467	Belt pulley ventilator Cobra 09	1
4	052480	Belt shroud Cobra 09	1
5	052954	Label tip belt extending Cobra09	1
6	052163	RAPID-spring shackle	1
7	052491	Distance bushing ventilator Cobra 09	1
8	014799	Lens head screw M6x10	2
9	018091	Circlip I35 DIN472	2
10	018359	Ball bearing 6003 2RS	2
11	014830	Washer M12 DIN 125 A	1
12	017455	Hexagon screw M12x 20 DIN 933	1
13	052626	Self-tapping screw M3x6 DIN 75000	2
14	053243	Fan flange cpl. Cobra 09	1
15	014726	Cylinder head screw M6x12 DIN 912	3



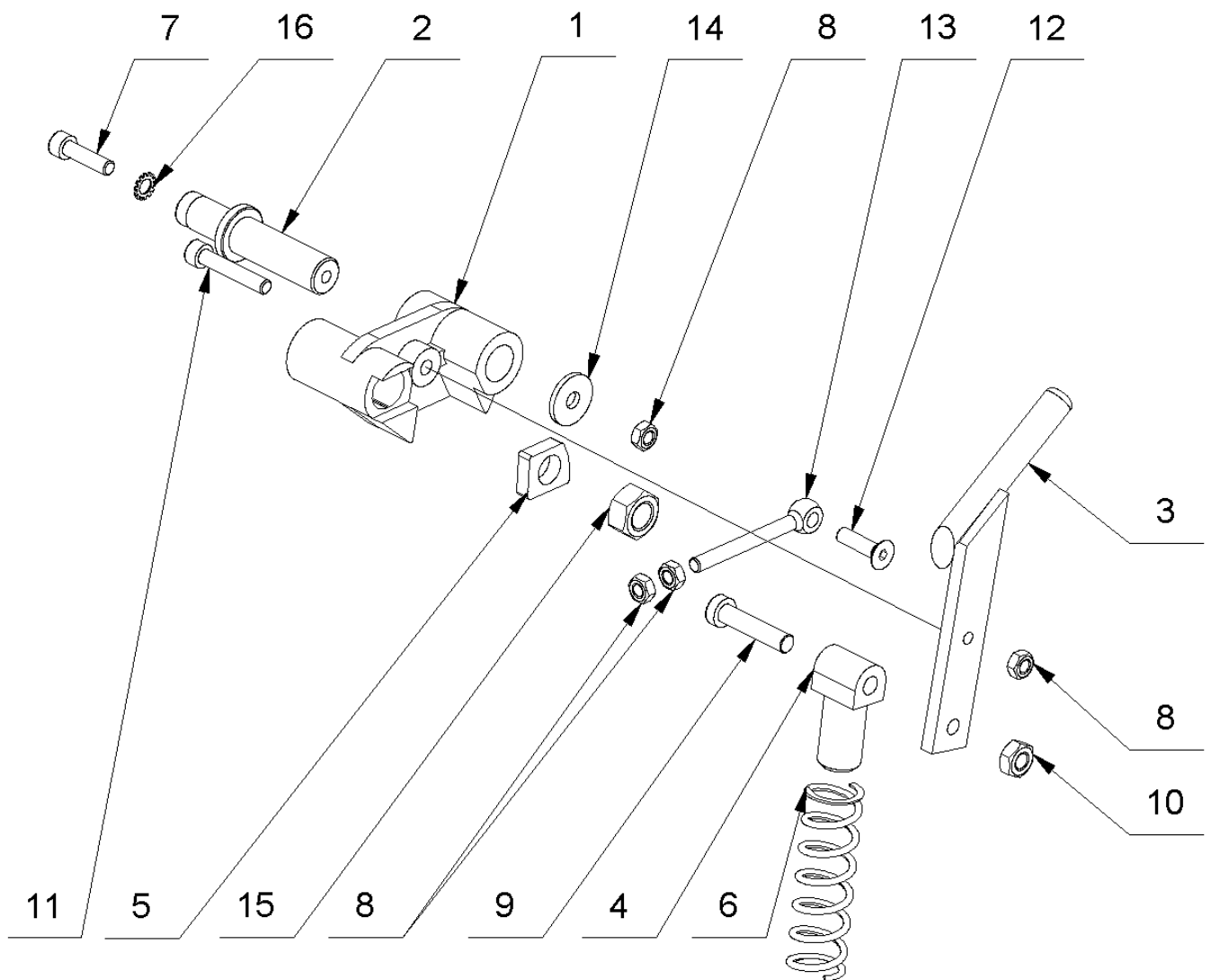
# 8 Tension roller



## 8 Tension roller

Item no.	Article no.	Description	Quantity
1	016189	Tension roller shaft Cobra	1
2	014625	Inner roll Cobra/Viper/Python	1
3	014629	Roller empty Viper / Cobra	1
4	014622	Outside roll Cobra/Viper/Python	1
5	016202	Adjustment ring Cobra/Python	1
6	016360	Washer 25x30x2 DIN 988	1
7	014855	Safety washer I47 DIN 472	2
8	014857	Safety washer I52 DIN 472	2
9	014704	Ball-bearing 6005 2RSH	2
10	166323	Safety washer XDNS 60-X	1
11	018351	Ball bearing 6202 2RS	2
12	055830	Cylinder head screw M6x12 DIN 7984	1
13	014628	Inner packing ring Vip/Cob/Pyth 35-52-10	1
14	016198	Swivel bearing 2205 2RS	1
15	043833	Lock washer DIN 137 - B27	1
16	014852	Safety washer A25 DIN 471	1
17	014634	Shaft seal Vip/Cob/Pyth 25-52-10	1
18	018091	Circlip I35 DIN472	2
19	017724	Washer DIN 9021 6,4x18x1,6	1
20	016845	Tension Roll new complete Cobra	1

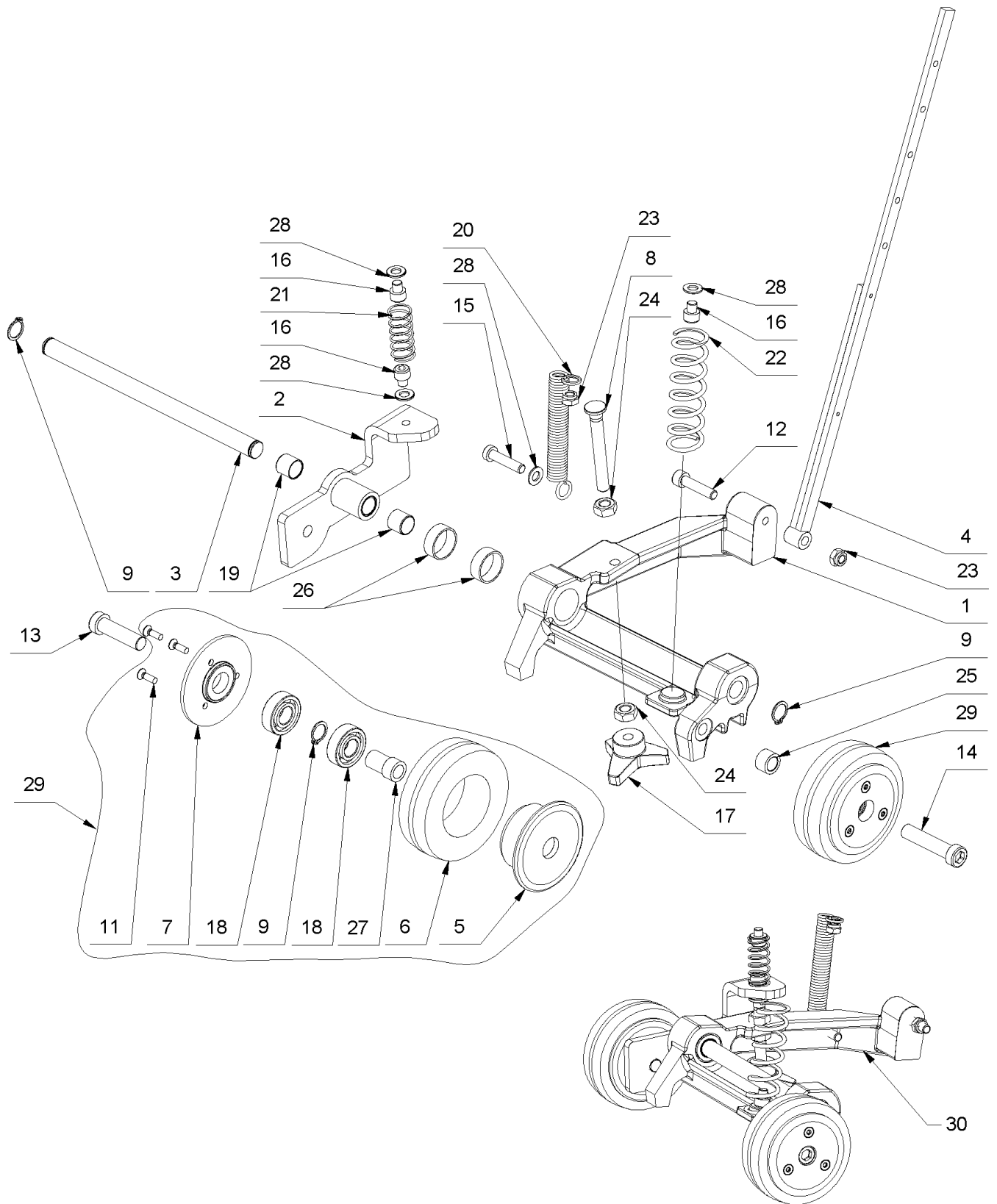
## 9 Roller clamo



## 9 Roller clamo

Item no.	Article no.	Description	Quantity
1	016338	Tension roller holder Cobra/Python	1
2	016345	Mounting bolt Cobra/Viper/Python	1
3	053223	Clamping Lever Cobra 09	1
4	016492	Pressure piece Cobra/Viper/Python	1
5	016190	Adjusting plate Cobra/Python	1
6	016179	Pressure spring 30x100x3,5	1
7	014736	Cylinder head screw M8x30 DIN 912	1
8	014810	Hexagon nut M 8 DIN 934 I6I/I8I	4
9	016340	Cylinder head screw M10x45 DIN 6912	1
10	014811	Hexagon nut M 10 DIN 934	1
11	016343	Cylinder head screw M10x45 DIN 6912	1
12	017116	Countersunk screw M8x30 10.9 DIN 7991	1
13	016347	Eye screw M8x80 special	1
14	043902	Washer 8,4x30 DIN 522	1
15	014620	Lock nut M16 DIN 934	1
16	016321	Spring washer A 8,4 DIN 6798	1

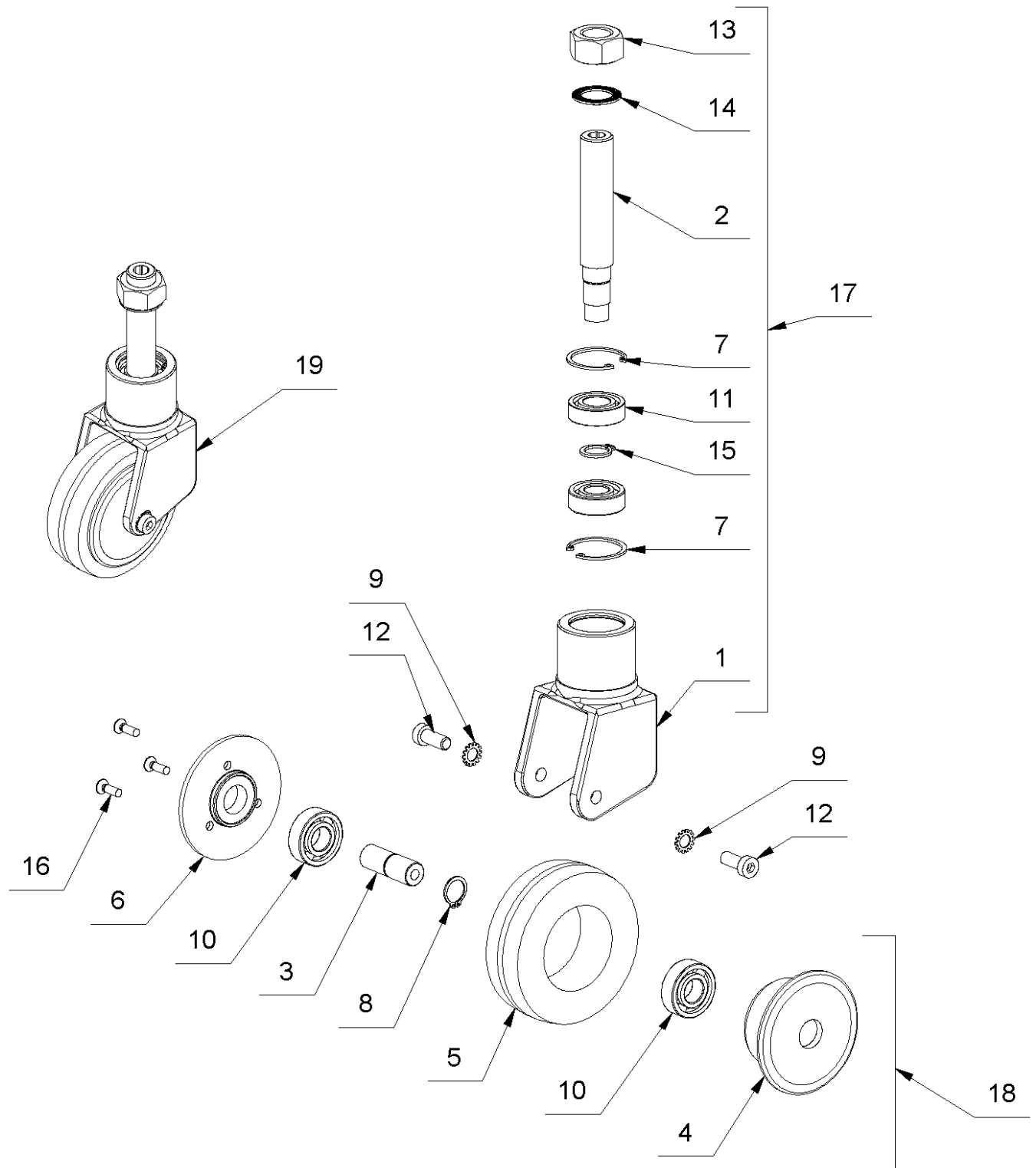
# 10 Carriage



## 10 Carriage

Item no.	Article no.	Description	Quantity
1	052471	Gear lever Cobra 09	1
2	052472	Rocker arm Cobra 09	1
3	052473	Chassis axis Cobra 09	1
4	066294	Tow bar lower part 5fach Cobra 09	1
5	016415	Steering and wheel rim Cobra/Viper/Pytho	1
6	053246	Chassis cpl. Cobra 09	1
7	016416	Wheel cover Cobra/Viper/Python	1
8	053287	Hinged foot Cobra 09	1
9	018101	Safety washer A15 DIN 471	3
11	080377	Countersunk screw M5x16 (Torx)	3
12	014737	Cylinder head screw M8x35 DIN 912	1
13	056142	Cylinder head screw M12x50 DIN 6912	1
14	016554	Cylinder head screw M12x55 DIN 6912	1
15	016430	Cylinder head screw M8x35 DIN 6912	1
16	062130	Cylinder head screw M8x8 DIN 912	3
17	037940	Three-star grip nut D63 x M10	1
18	018351	Ball bearing 6202 2RS	2
19	067685	Friction bearing GSM 1517-15	2
20	068202	Tension spring D 2,5	1
21	059669	Pressure spring VD-212C / 19,80x44x1,60	1
22	016179	Pressure spring 30x100x3,5	1
23	014816	Hexagon nut M8 DIN 985	2
24	014811	Hexagon nut M 10 DIN 934	2
25	016446	Distance bushing 18x12x11 Cobra	1
26	052953	Bushing 2510	2
27	016422	Socket for wheel axle Cobra/Viper/Python	1
28	014828	Washer M8 DIN 125 A	4
29	037082	Wheel compl.Cobra/Viper/Python	1
30	053246	Chassis cpl. Cobra 09	1

# 11 Caster

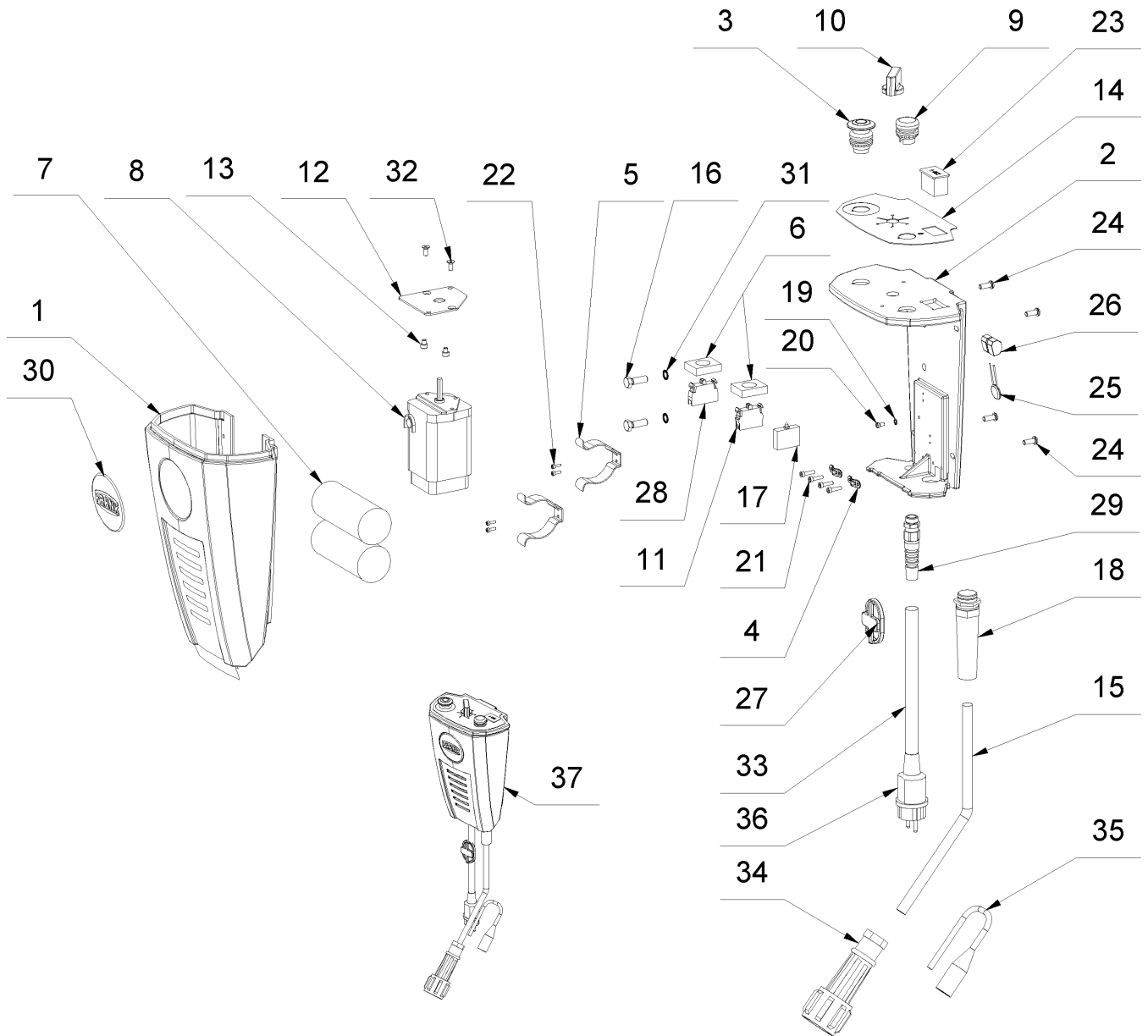


## 11 Caster

Item no.	Article no.	Description	Quantity
1	016406	Steering wheel fork Cobra/Viper/Python	1
2	016410	Casting shaft Cobra/Python	1
3	014601	Caster wheel Cobra/Viper/Python	1
4	016415	Steering and wheel rim Cobra/Viper/Pytho	1
5	016171	Vulcolan tyre Cobra/Viper/Python	1
6	016416	Wheel cover Cobra/Viper/Python	1
7	018091	Circlip I35 DIN472	2
8	018101	Safety washer A15 DIN 471	1
9	016321	Spring washer A 8,4 DIN 6798	2
10	018351	Ball bearing 6202 2RS	3
11	018359	Ball bearing 6003 2RS	1
12	016413	Cylinder head screw M6x150 DIN 912	2
13	039981	Hexagon nut M20x1,5 DIN 934	1
14	074979	Washer M20	1
15	014850	Safety washer A17 DIN 471	1
16	016312	Countersunk bolt M5x16 DIN 7991 10.9	3
17	047064	Steering wheel fork without wheel Cobra	1
18	048583	Steering Wheel compl	1
19	016380	Steering wheel with fork cpl.	1



# 12 Cockpit



## 12 Cockpit

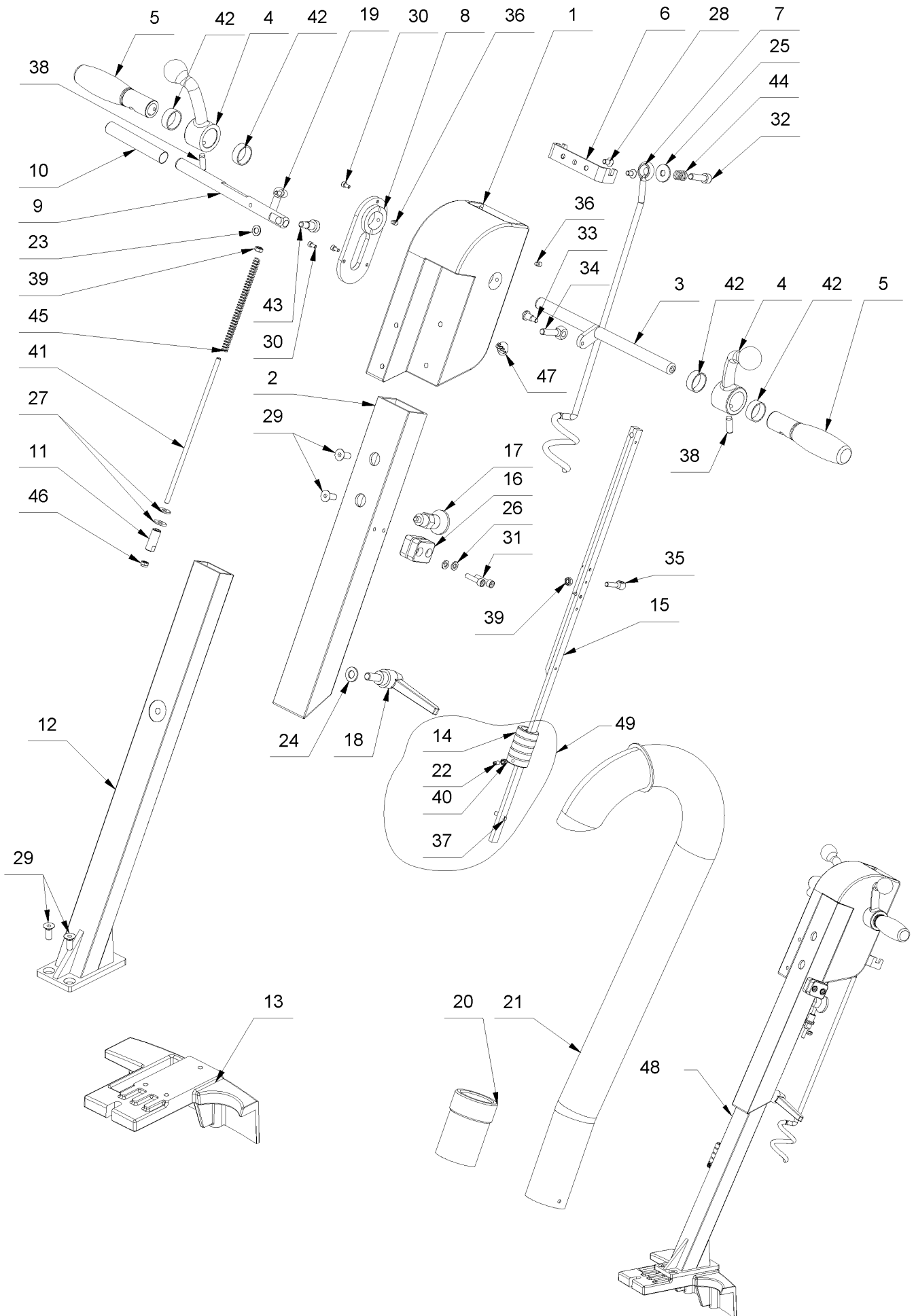
Item no.	Article no.	Description	Quantity
1	052373	Cover Cockpit Cobra 09	1
2	052368	Support cast Cockpit Cobra 09	1
3	052443	Safety switch	1
4	015211	Cable clamp Motor Duro 2.0	2
5	052434	Spring clamps Cobra 09	2
6	017503	Adapterattachment	2
7	043843	Start Capacitor 60 µF Ducati	2
8	043869	Switch NR152678 Cobra	1
9	052444	Pushbutton Cobra 09	1
10	043875	Switch Knob	1
11	017505	Contact element shut NO	1
12	053073	Adapting plate f.switch Cobra 09	1
13	018276	Cylinder head screw M5x6 DIN 912	2
14	130515	Slide display orange Cobra 09	1
15	053025	Control line Cobra 09	1
16	014775	Hexagon bolt M 8x25 DIN 933	2
17	038638	LED for signal lamp	1
18	053004	Screw connection w.bending prot. M25x1,5	1
19	017663	Tooth lock washer 4.3 Form A DIN 6797	1
20	017473	Cylinder head screw M4x8 DIN 84 brass	1
21	017743	Cylinder head screw M4x16 DIN 912	4
22	014715	Cylinder head screw M3x10 DIN 912	4
23	078604	Digital meter with large clip Cobra09	1
24	017552	Lens head screw M 6x16 ISO 7380	4
25	056885	Varistor Cobra 09	1
26	050146	Connecting terminal 2-fold	2
27	067749	cable retention	1
28	017507	Contact element open NC	1
29	038585	Strain relief w.bending prot.M16x1,5	1
30	137491	Label Frank 3D Ø80mm	1
31	014860	Schnorr Washer M8	2
32	017747	Countersunk screw M5x12 DIN 7991	2
33	053026	El.cord 3G2,5x0,4m grey w.plug	1
34	052431	Jack 7pol Cobra 09	1

## 12 Cockpit

---

Item no.	Article no.	Description	Quantity
35	052583	Jack Cobra 09	1
36	039203	Plug grey	1
37	060280	Cockpit cpl. 230V/50Hz Cobra 09 Pallmann	1

# 13 Handle



## 13 Handle

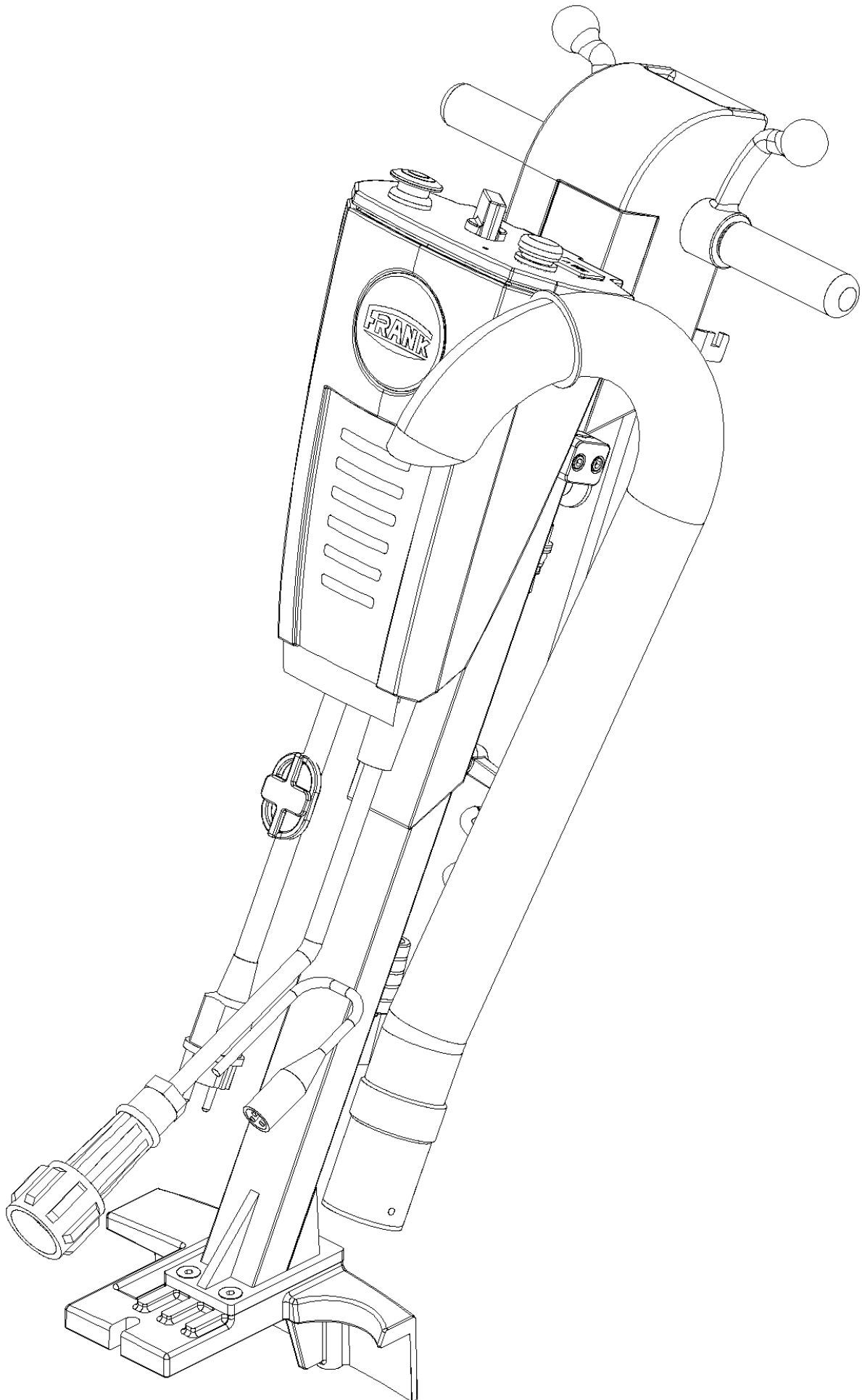
Item no.	Article no.	Description	Quantity
1	052375	Cover grip Cockpit Cobra 09	1
2	052611	Outside tubeCobra 09	1
3	052629	Shaft f. lowering device Cobra 09	1
4	052538	Lever to operate Cobra 09	2
5	081808	Grip with coating Cobra 09	2
6	016521	Cable support Cobra/Viper/Python	1
7	014548	Cable arm long Viper	1
8	052486	Bearing cover Cobra 09	1
9	052485	Lever Cobra 09	1
10	082068	PVC-hand grip Wega black	1
11	054529	Adjustment nut Cobra 09	1
12	066293	SG Inside tube5fach Cobra 09	1
13	052390	Handle bracket Cobra 09	1
14	053105	Box tow bar Cobra 09	1
15	055870	Tow bar upper part soft cpl. Cobra 09	1
16	079023	Camp f.key SW 6	1
17	037953	Fixing pin	1
18	037952	Clamping lever GN300-92-M10-32 SW	1
19	016632	Angle joint Cobra/Viper/Python	1
20	062045	Suction nozzle Dust / Cobra09	1
21	052684	Dust pipe Staubrohr Cobra 09	1
22	053418	Elastic pressure pieceM6 M5 NLM 0300-0	1
23	017656	Shim ring 8x14x1 DIN 988	1
24	014829	Washer M10 DIN 125 A	1
25	018737	Washer 8,4x24x2 DIN 9021 galv.	1
26	014827	Washer M6 DIN 125 A	2
27	017724	Washer DIN 9021 6,4x18x1,6	2
28	014755	Countersunk screw M6x12 DIN 7991 10.9	2
29	014760	Countersunk screw M8x20 DIN 7991 10.9	5
30	018280	Cylinder head screw M4x8 DIN 912	3
31	014731	Cylinder head screw M6x25 DIN 912	2
32	014736	Cylinder head screw M8x30 DIN 912	1
33	052489	Flat head screw hardened Cobra 09	1
34	047216	Eye screw M8x40 DIN 444	1

## 13 Handle

Item no.	Article no.	Description	Quantity
35	074815	Ring screw M6x30	1
36	014792	Headless pin M6x10 DIN 915	2
37	018135	Cylindrical pin 5x 20 DIN 7	1
38	053824	cylindrical pin 8x 24 DIN 7979	2
39	014809	Hexagon nut M6 DIN 934	2
40	017773	Hexagon nut M5 DIN 934	1
41	054528	Control rod Cobra 09	1
42	052953	Bushing 2510	4
43	052936	Screw M8x12 DIN 7379	1
44	043827	Pressure spring 13x20x1,5	1
45	016638	Pressure spring 9x167x1,2	1
46	014815	Hexagon nut M6 DIN985	1
47	072687	Stopper 12,7-14,3 mm black	1
48	053248	Handle cpl. Cobra 09	1
49	053419	Sliding collar Cobra 09	1

## 14 Handle compl.

---



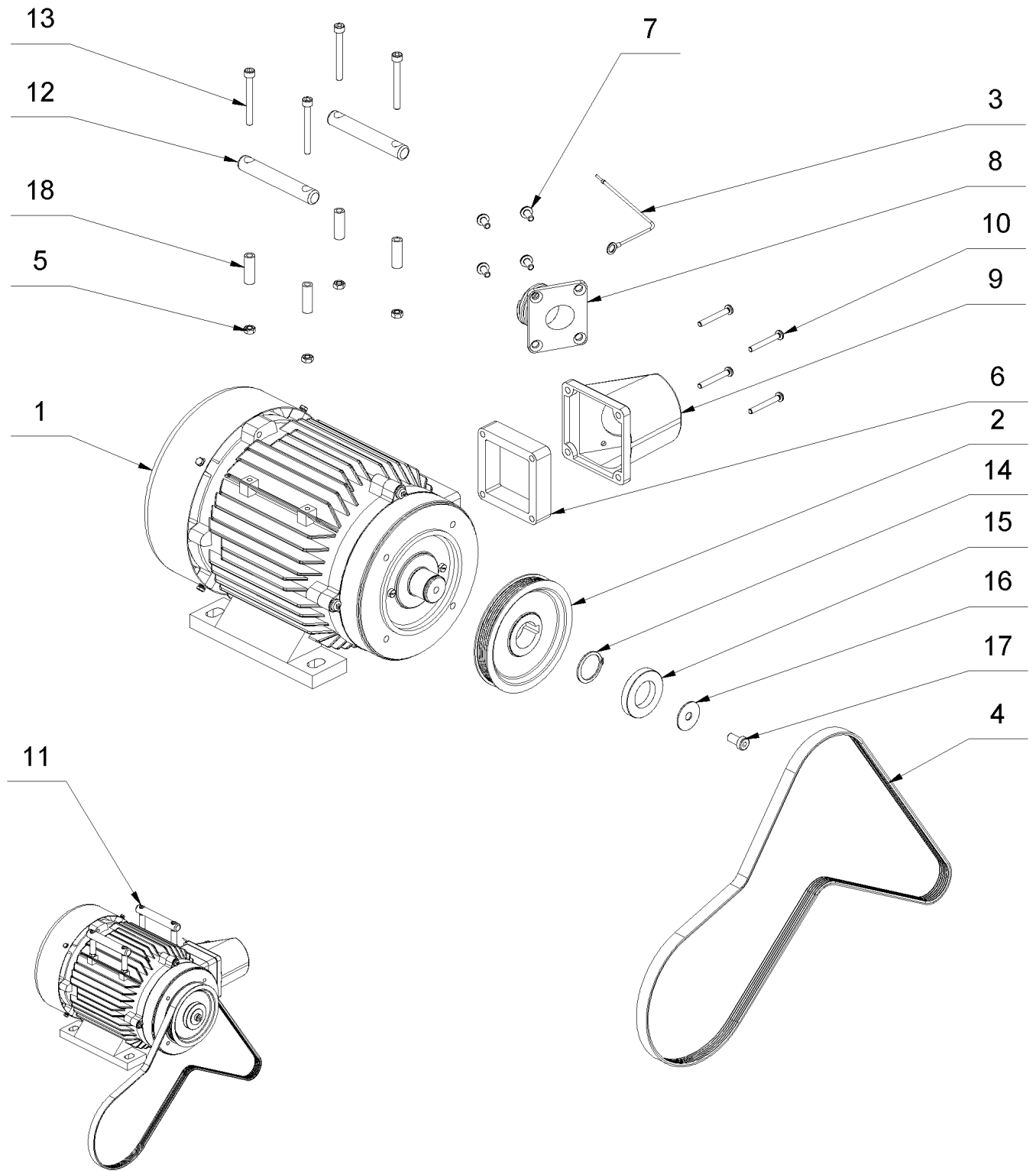
## 14 Handle compl.

---

Item no.	Article no.	Description	Quantity
1	078773	Handle with cockpit cpl. Cobra 09 FRANK	1
2	062845	Handle with cockpit cpl. Cobra 09 CH	1



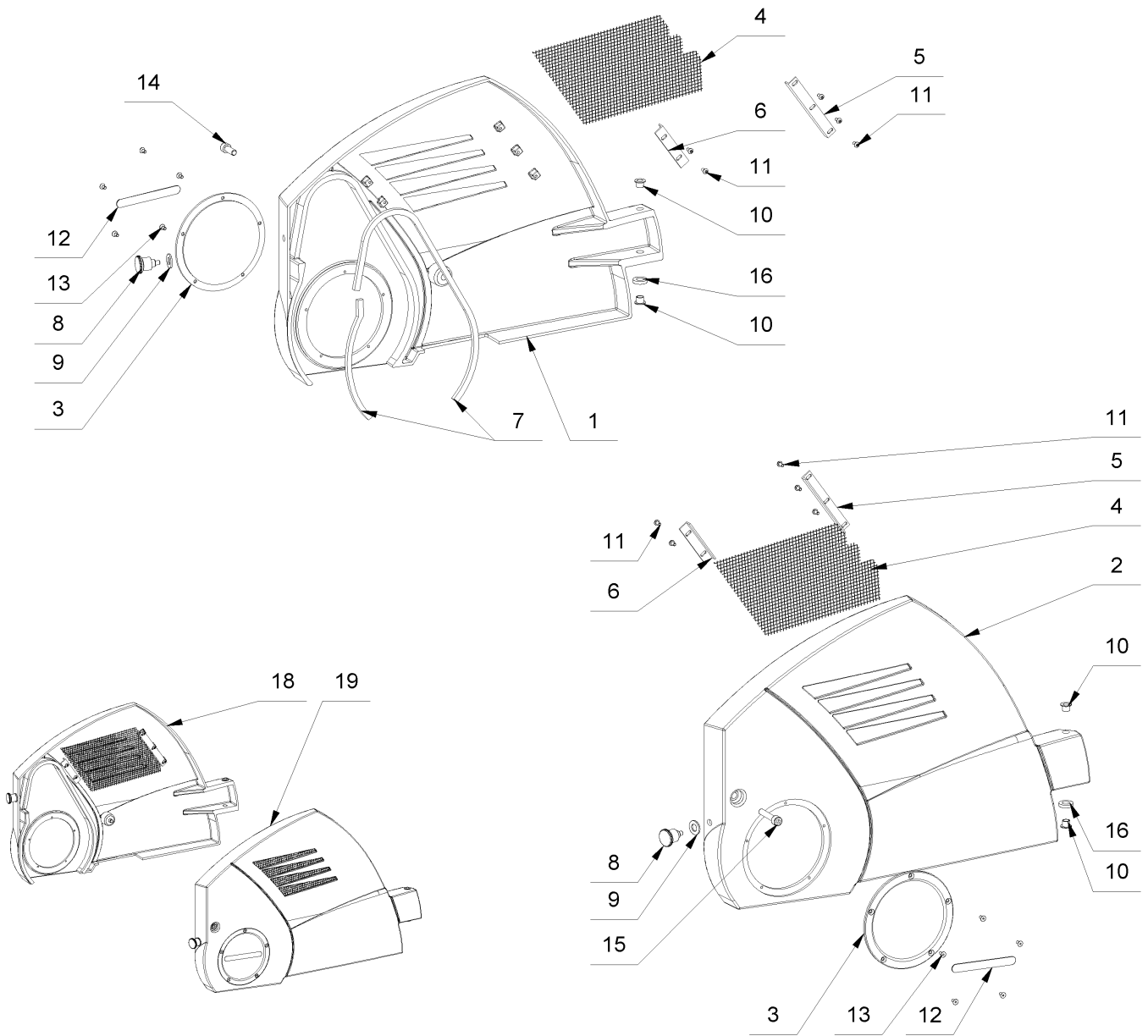
# 15 Motor



## 15 Motor

Item no.	Article no.	Description	Quantity
1	052419	Motor 2,5kW/50Hz/230V Cobra 09	1
2	052462	Belt pulley motor Cobra 09	1
3	053485	Cable set Motor Cobra 09	1
4	052417	Poly-v-belt 6PJ 1194 Cobra 09	1
5	014809	Hexagon nut M6 DIN 934	4
6	052613	Distance piece Cobra 09	1
7	in 052419	Cylinder head bolt M6x12	1
8	052420	Mounted connector 7-pol Cobra 09	1
9	052433	Adapter 7pol Cobra 09	1
10	052624	Screw self-tapping M5x40 DIN 7500	4
11	053250	Motor cpl.2,5kW/230V/50Hz Cobra 09	1
12	074727	Handle Motor Part2 Frank Cobra 09	2
13	018261	Cylinder head screw M6x55 DIN 912	4
14	043893	Safety washer A28 DIN 471	1
15	074425	Ring Motor pulley FrankCobra09	1
16	043902	Washer 8,4x30 DIN 522	1
17	043918	Cylinder head screw M8x16 DIN 7984	1
18	074497	Distance ring d10x6x30	4

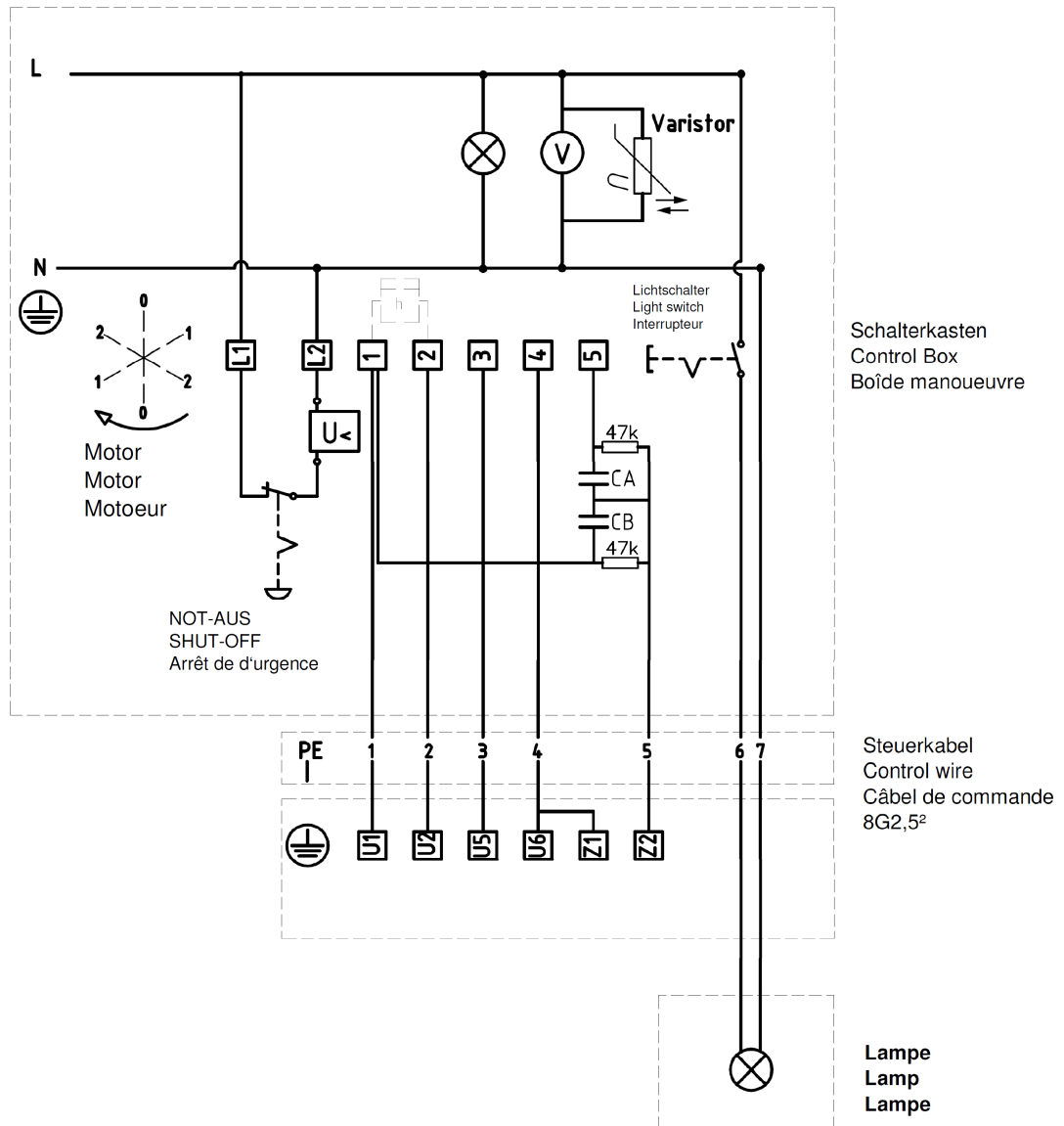
# 16 Cover



## 16 Cover

Item no.	Article no.	Description	Quantity
1	052361	Cylinder door right Cobra 09	1
2	052364	Belt door left Cobra 09	1
3	052595	Door panel Cobra 09	2
4	060283	WirefenceCobra 09 Pallmann	2
5	053460	Bracket 111mm Cobra 09	2
6	053459	Bracket 72mm Cobra 09	2
7	056533	Sealing set cover right 51/19cm	2
8	052440	Arresting bolt	2
9	014829	Washer M10 DIN 125 A	2
10	052490	Bushing BB 08085	4
11	056488	Lens head screw M4x 8	10
12	129933	Label Frank tec inside orangeCobra09	1
13	018324	Countersunk screw M4x8 DIN 7991 10.9	10
14	014734	Cylinder head screw M8x20 DIN 912	1
15	014738	Cylinder head screw M 8x40 DIN 912	1
16	053482	Plastic spacer 10,5x20x4 black	2
18	060275	Door on the right cpl. Cobra 09 Pallmann	1
19	060277	Door on the left cpl. Cobra 09 Pallmann	1

# 17 Circuit diagram



## 17 Circuit diagram

---

## 18 Tool kit #060281

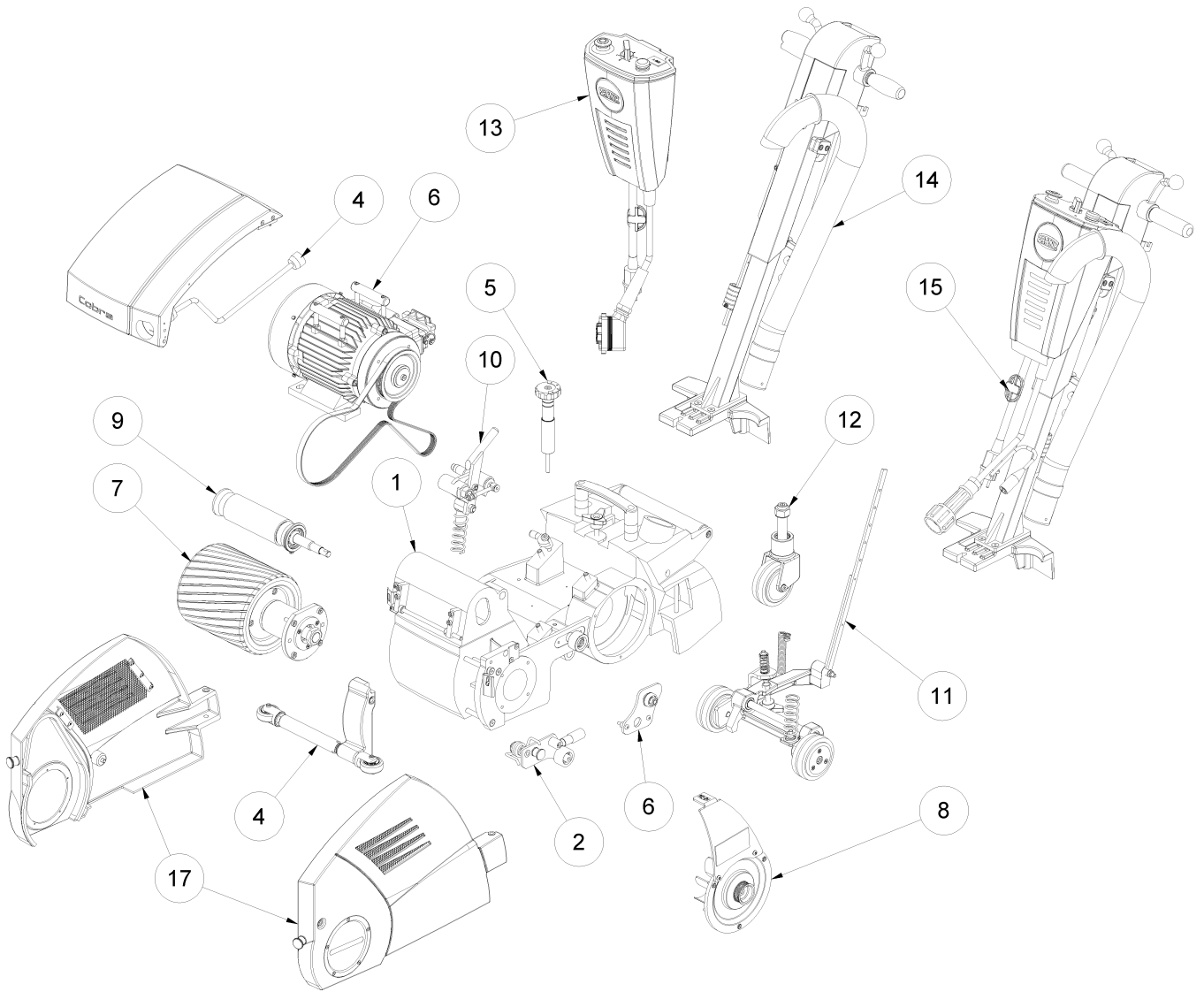
Article no.	Description	Quantity
016842	Open-ended wrench SW10	1
016799	Open-end wrench SW13	1
017601	Open-end wrench SW17	1
016800	Open-end wrench SW19	1
018635	Open-end wrench SW24	1
043826	Double open-end wrench SW30/36	1
017027	Hexagonal screw key SW4 DIN 911	1
014956	Hexagonal screw key SW5 DIN 911	1
014957	Hexagonal screw key SW6 DIN 911	1
014959	Hexagonal screw key SW8 DIN 911	1
018641	Hexagonal screw key SW10 DIN 911	1
060253	Tool bag orange	1
016813	Multi clip URS/Gecko/Cobra/Viper	1

## 19 Accessories

Article no.	Description	Quantity
012624	CORUNDUM SANDING BELT 200 X 750 MM K 36	1
012627	CORUNDUM SANDING BELT 200 X 750 MM K 60	1
012629	CORUNDUM SANDING BELT 200 X 750 MM K 100	1
060282	extension cord3G2,5x12,5 orange/Pallmann	1
060602	Extension cord 3G2,5x12 Schuko AUS 15A	1
062062	Ext.cord 3G2,5x12,5orangeUK230V/Pallm	1
015315	Hearing protectors	1
016732	Fine dust mask Gecko/URS/Cobra	1
052441	DUST BAG BAG IN BAG COBRA 09 PALLMANN	1
071729	DUST BAG STANDARD COBRA 09 PALLMANN	1
052442	SINGLE USE DUST BAG COBRA 09	1
062045	Suction nozzle Dust / Cobra09	1
074585	Poly V Belt 6PJ 1285 Cobra 09	1
048681	Wheel adjustment aid compl. Viper/Cobra	1
053131	Halogen lamp cpl.230V Cobra 09	1
080442	Retrofit set 2.tension roller Cobra09	1



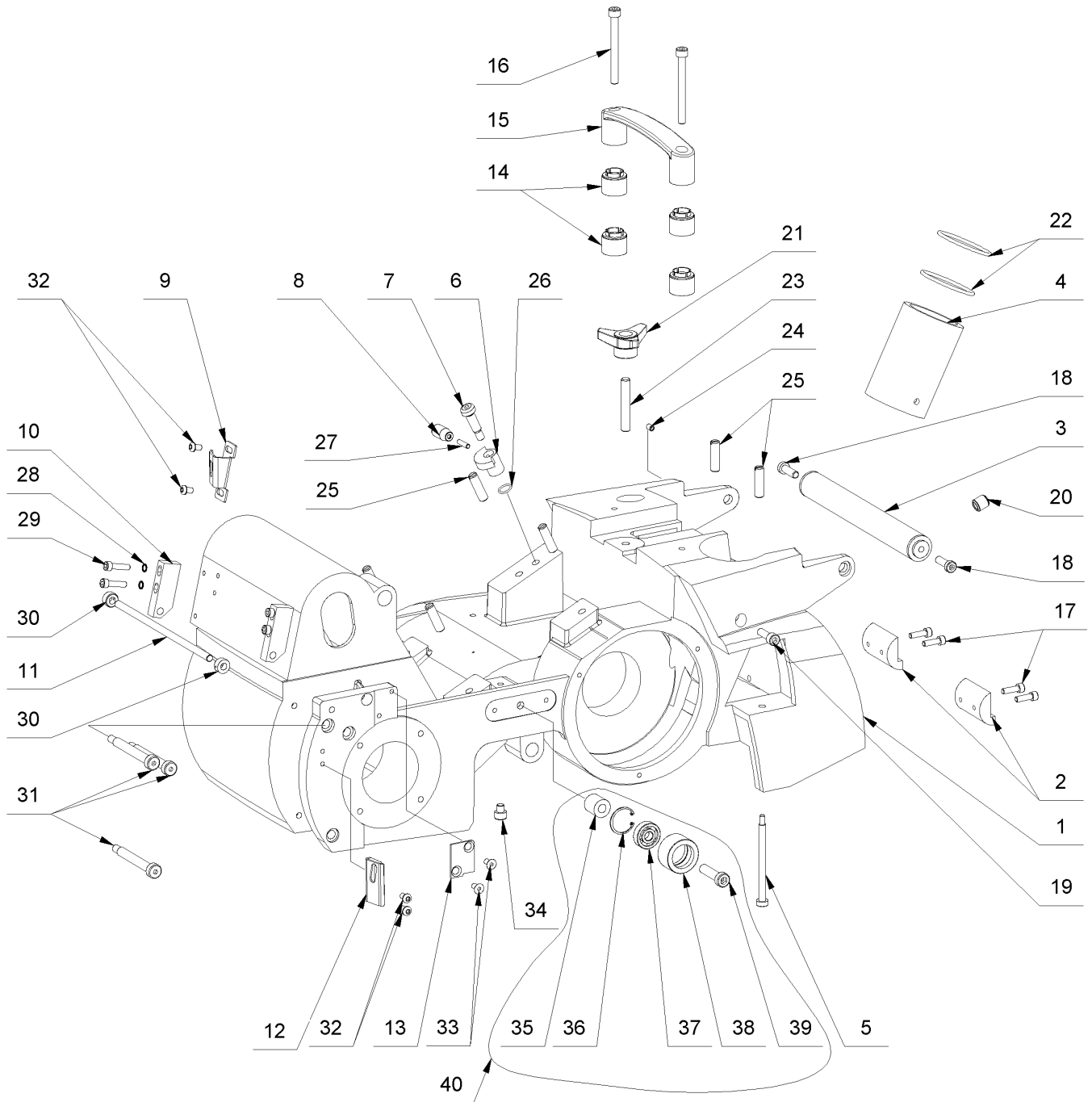
# 5 Frank Cobra 09 230V EU (0662/2015 - 0761/2016)



## 5 Frank Cobra 09 230V EU (0662/2015 - 0761/2016)

Item no.	Article no.	Description
1	02_01_062228	Housing
2	03_02_053277	Belt Holding Fixture
3	03_03_062228	Handle
4	01_04_062228	Cover
5	01_05_062228	Pressure regulation
6	05_06_062228	Adapter plate
7	01_07_062228	Sanding drum bearing
8	01_08_062228	Fan
9	01_09_016845	Tension roller
10	01_10_062228	Roller clamo
11	04_11_053246	Carriage
12	01_12_016380	Caster
13	05_13_079296	Cockpit
14	03_14_053248	Handle
15	05_15_054511	Handle compl.
16	05_16_053250	Motor
17	01_17_062228	Cover
18	01_18_062228	Circuit diagram
19	01_19_060281	Tool kit #060281
20	01_20_062228	Accessories

# 1 Housing



# 1 Housing

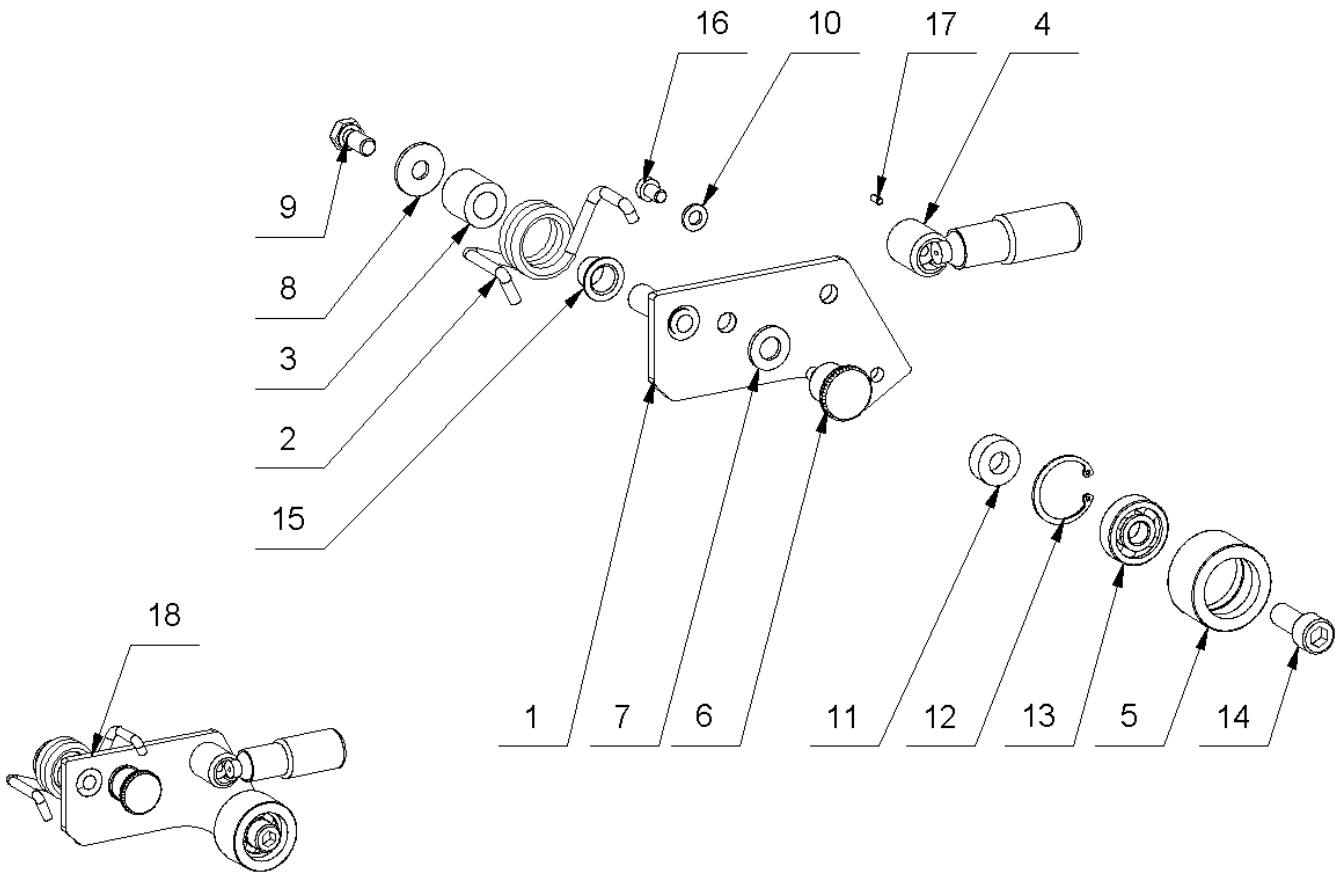
Item no.	Article no.	Description	Quantity
1	052299	Chassis Cobra 09	1
2	052689	Edge protection Cobra 09	2
3	052507	ZB Carry handle behind Cobra 09	1
4	052593	Sock dust pipe Cobra 09	1
5	052627	Screw M 6x90 DIN 7379	2
6	053077	Bar for motor Cobra 09	1
7	053030	Screw M10x25 DIN 7379	1
8	053426	Cylindr.knob Cobra 09	1
9	053922	Right door lock Cobra 09	1
10	053114	Hood angle Cobra 09	2
11	059611	Shaft Cobra 09	1
12	053921	Left door lock Cobra 09	1
13	053221	Stop plate stop bolt Cobra 09	1
14	056814	Distance bushing for U-handle	4
15	056811	Handle grip GN628 150mm	1
16	018249	Cylinder head screw M8x80 DIN 912	2
17	018706	Lens head screw M6x20	4
18	016365	Cylinder head screw M10x45 DIN 6912	2
19	014735	Cylinder head screw M8x25 DIN 912	1
21	037940	Three-star grip nut D63 x M10	1
22	052952	O-Ring 57x3	2
23	053041	Stud bolt M10x45 DIN 835	1
24	049055	Headless pin M6x10 DIN 914	1
25	052452	Shaft screw M10x35 DIN 427	6
26	053468	O-Ring 12x1	1
27	018203	Headless pin M5x20 DIN 913	1
28	014859	Schnorr washer M6	4
29	017678	Cylinder head screw M6x30 DIN 912	4
30	059599	Adjusting ring Ø 8 DIN 705 A	2
31	052451	Screw M 8x70 DIN 7379	3
32	014799	Lens head screw M6x10	4
33	014755	Countersunk screw M6x12 DIN 7991 10.9	2
35	052488	Distance bushing guide pulley Cobra 09	1
36	053318	Circlip I30 DIN 472	1

## 1 Housing

---

Item no.	Article no.	Description	Quantity
37	018353	Ball bearing 6200 2RS HS800	1
38	052468	Tension-/guide pulley Cobra 09	1
39	043915	Cylinder Head Bolt M10x 40 DIN 6912	1
40	053280	Pulley for belt cpl. Cobra 09	1

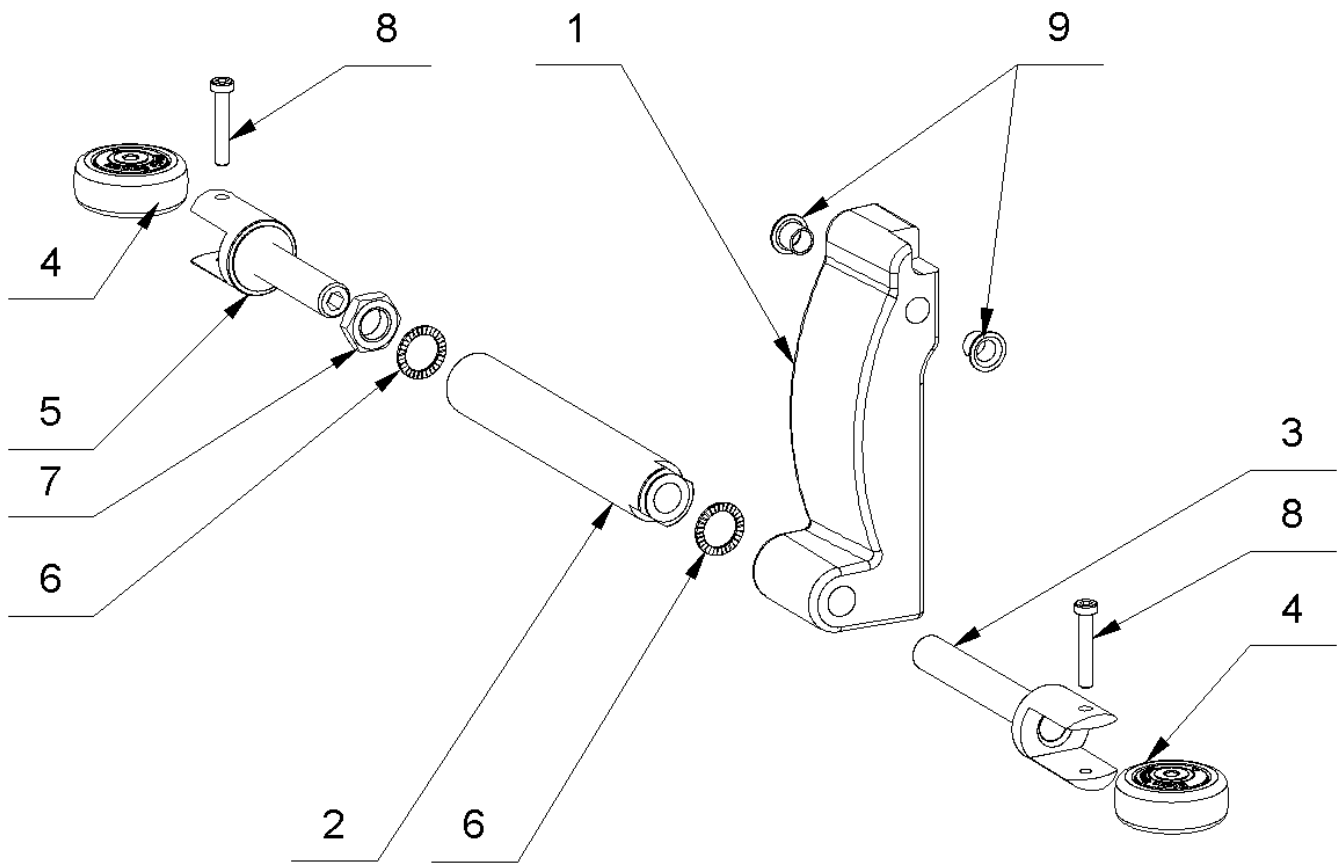
## 2 Belt Holding Fixture



## 2 Belt Holding Fixture

Item no.	Article no.	Description	Quantity
1	088592	Tensioner roller holder Frank Cobra 09	1
2	064322	Lag spring 5mm Cobra 09 Cobra 09	1
3	052487	Distance bushing Cobra 09	1
4	052450	Handle Cobra 09	1
5	052468	Tension-/guide pulley Cobra 09	1
6	052440	Arresting bolt	1
7	014829	Washer M10 DIN 125 A	1
8	018737	Washer 8,4x24x2 DIN 9021 galv.	1
9	018969	Hexagonal screw M 8x 16 DIN 933	1
10	014859	Schnorr washer M6	1
11	052690	Distance bushing 21x10x8 Cobra 09	1
12	053318	Circlip I30 DIN 472	1
13	018353	Ball bearing 6200 2RS HS800	1
14	049654	Cylinder head screw M10x25 DIN 912	1
15	018765	Bushing 1212 DU	1
16	014725	Cylinder head screw M6x10 DIN 6912	1
17	053901	Clamping sleeve 3x6 DIN 7346	1
18	053277	Belt tensioner cpl. Cobra 09	1

### 3 Handle



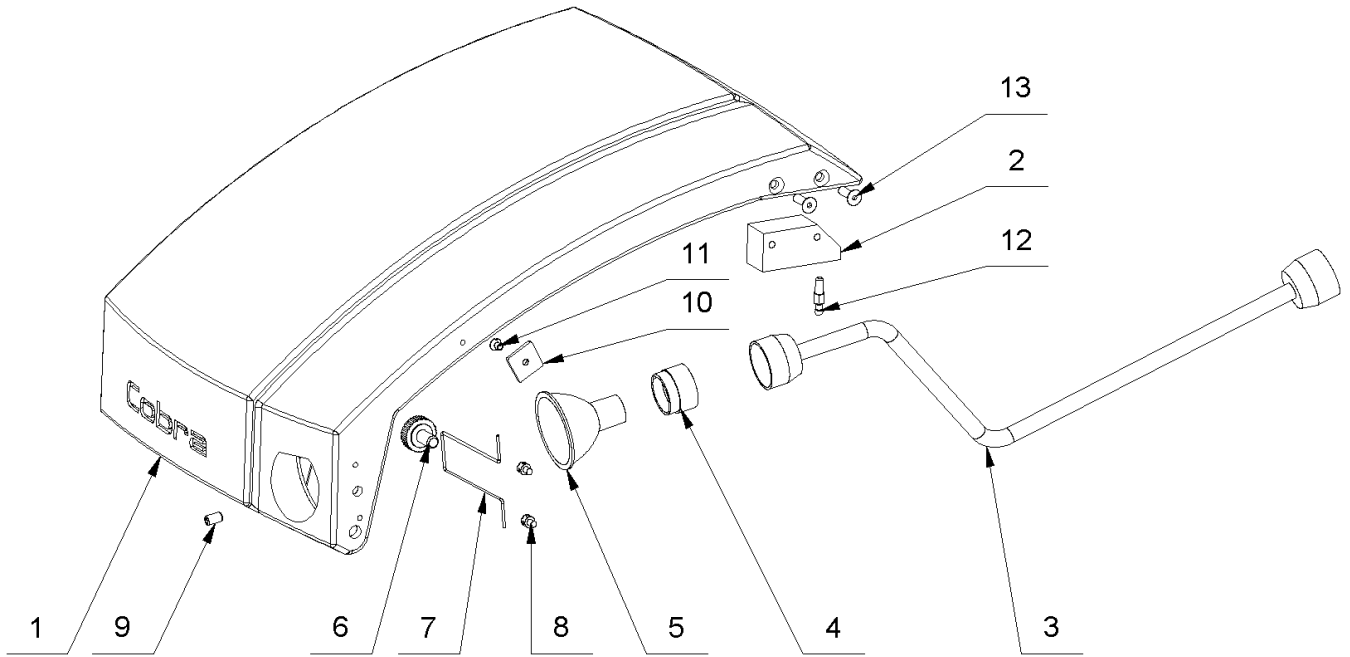


### 3 Handle

Item no.	Article no.	Description	Quantity
1	066944	Handle bracket M16 Cobra 09	1
2	066962	Front carrying handle M 16 Cobra 09	1
3	066945	Holding device li Cobra 09	1
4	060072	Barrier distance roll grey Cobra 09	2
5	068095	Holding device right Cobra 09	1
6	034216	Safety washer M16	2
7	043886	Hexagon M 16 DIN 936	1
8	053071	Cylinder head screw M6x35 DIN 6912	2
9	018682	Bushing BB 1012	2

## 4 Cover

---

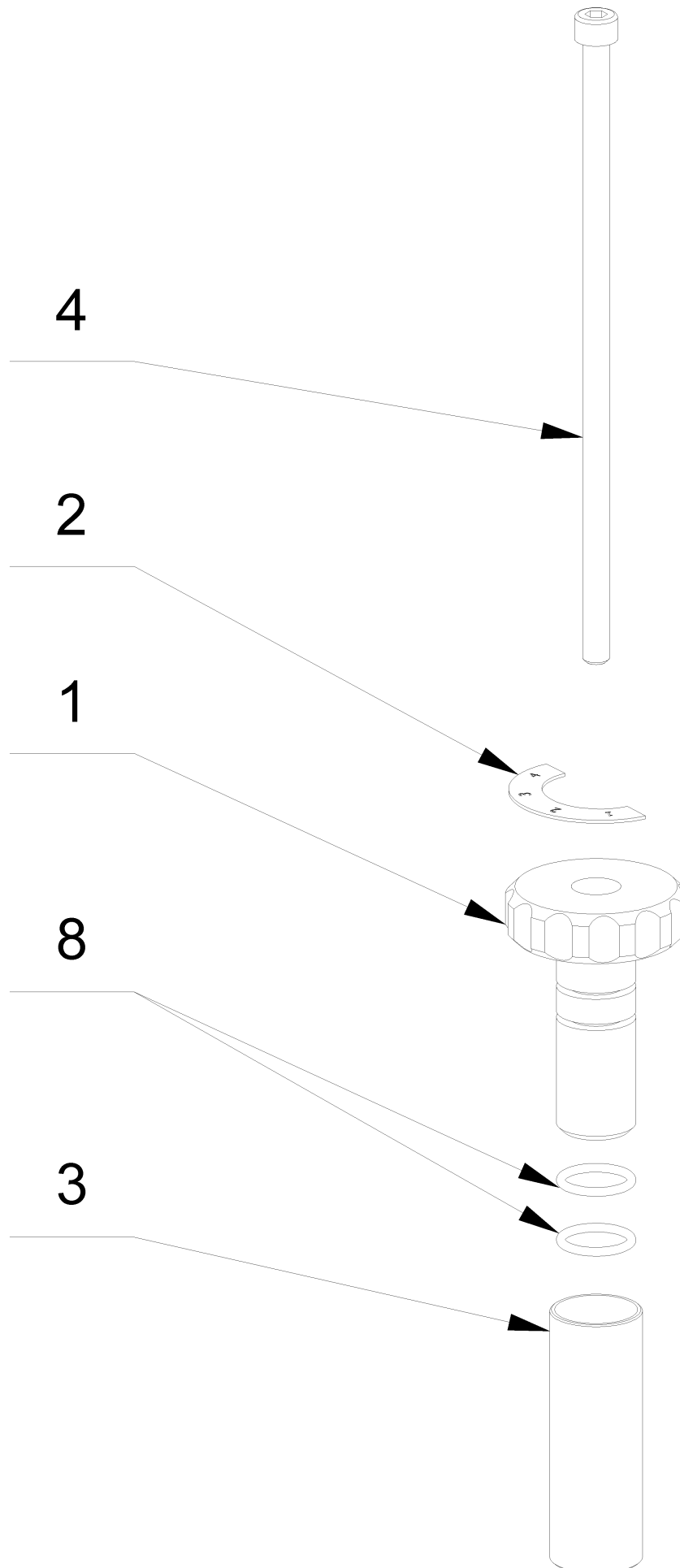


## 4 Cover

Item no.	Article no.	Description	Quantity
1	052366	Cover Cobra 09	1
2	053421	Holder f. nipple Cobra 09	1
3	052582	Connector cable Cobra 09	1
4	052437	Socket GU/GZ10 Cobra 09	1
5	053131	Halogen lamp cpl.230V Cobra 09	1
6	014800	Thumb screw M6x14 Inden	1
7	052449	Clamp halogen lamp Cobra 09	1
8	052587	Cross bolt hole M4x5 Cobra 09	2
9	049055	Headless pin M6x10 DIN 914	1
10	053445	Adhesive base Cobra 09	4
11	016469	Countersunk screw M4x6 DIN 963	1
12	052164	RAPID-nipple	1
13	016312	Countersunk bolt M5x16 DIN 7991 10.9	2

## 5 Pressure regulation

---



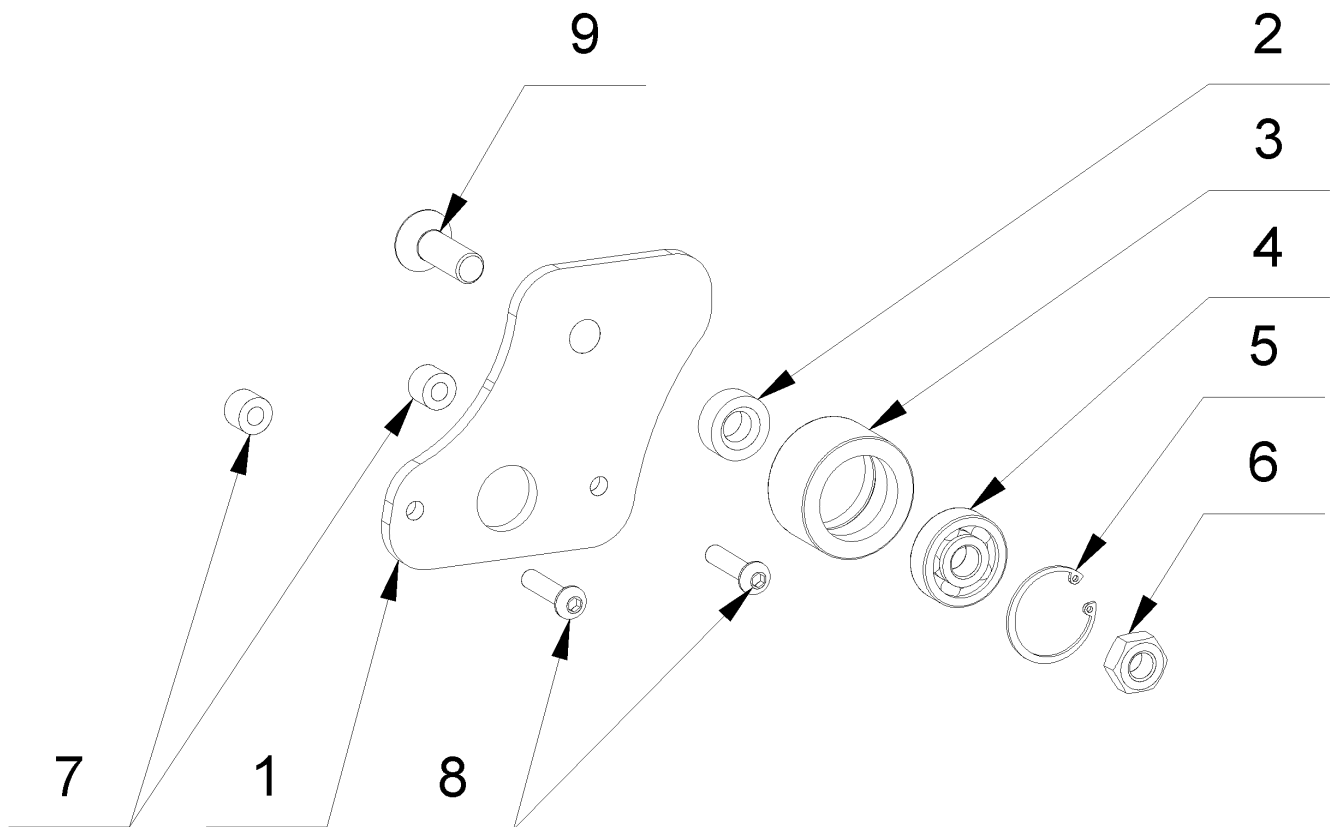
## 5 Pressure regulation

---

Item no.	Article no.	Description	Quantity
1	016327	Regular screw Cobra/ Python	1
2	053314	Label roller printing Cobra 09	1
3	054727	Threaded sleeve Cobra 09	1
4	052615	Cylinder head screw M8x180 DIN 912	1
5	043853	Marking ring black	2

## 6 Adapter plate

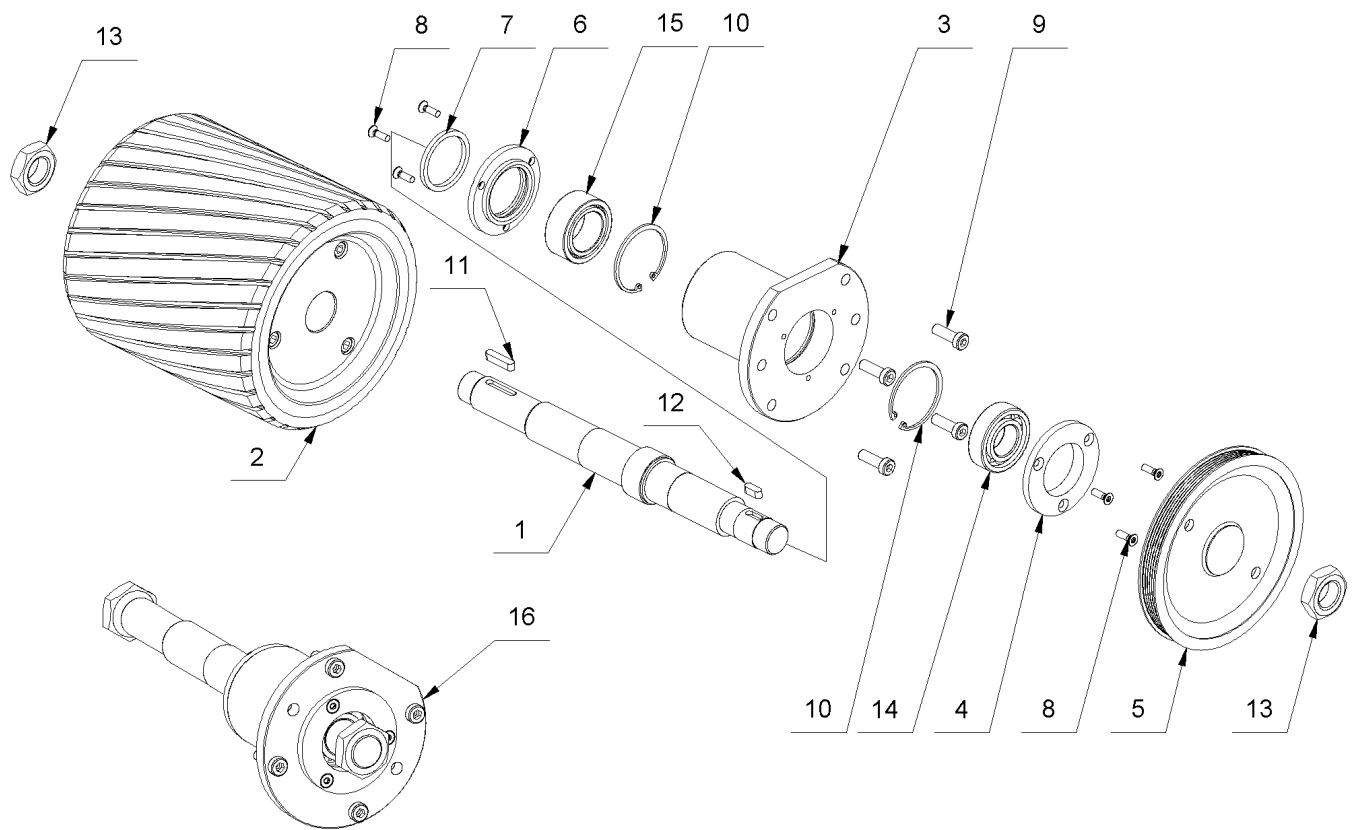
---



## 6 Adapter plate

Item no.	Article no.	Description	Quantity
1	080441	Adapter plate2 Frank Cobra 09	1
2	052690	Distance bushing 21x10x8 Cobra 09	1
3	052468	Tension-/guide pulley Cobra 09	1
4	018353	Ball bearing 6200 2RS HS800	1
5	053318	Circlip I30 DIN 472	1
6	014811	Hexagon nut M 10 DIN 934	1
7	074814	Distance jack Alu 12x 6x 9	2
8	017558	Lens head screw M 6x25	2
9	018336	Countersunk screw M10x30 DIN 7991 10.9	1

## 7 Sanding drum bearing

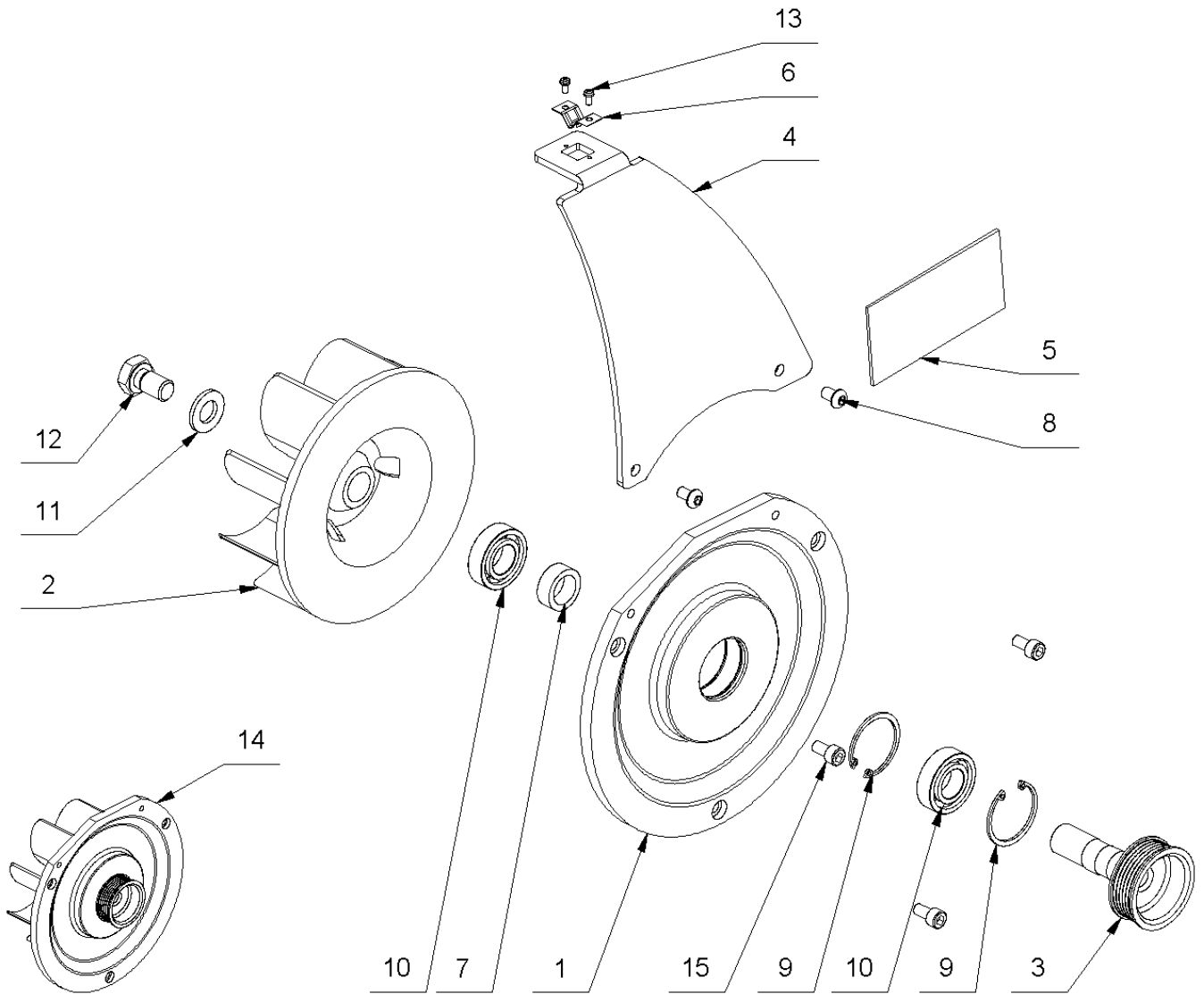




## 7 Sanding drum bearing

Item no.	Article no.	Description	Quantity
1	052470	Grinding roller shaft Cobra 09	1
2	013587	Grinding roller for Cobra	1
3	016364	Drum bearing flange Cobra	1
4	052482	Cover Cobra 09	1
5	052466	Belt pulley drum Cobra 09	1
6	016366	Inner drum cover Cobra	1
7	016188	Felt sealing ring Cobra/Viper/Python	1
8	080377	Countersunk screw M5x16 (Torx)	6
9	016365	Cylinder head screw M10x45 DIN 6912	4
10	014857	Safety washer I52 DIN 472	2
11	016361	Nut key 6x6x30 DIN 6885	1
12	016505	Nut key 6x6x16 DIN 6885	1
13	014614	Hexagon nut M24x1,5 DIN936	2
14	018348	Ball bearing 6205 2RS	1
15	016183	Ball bearing Cobra NA49/32 Cobra	1
16	053244	Roller bearing flange cpl.Cobra09/Class.	1

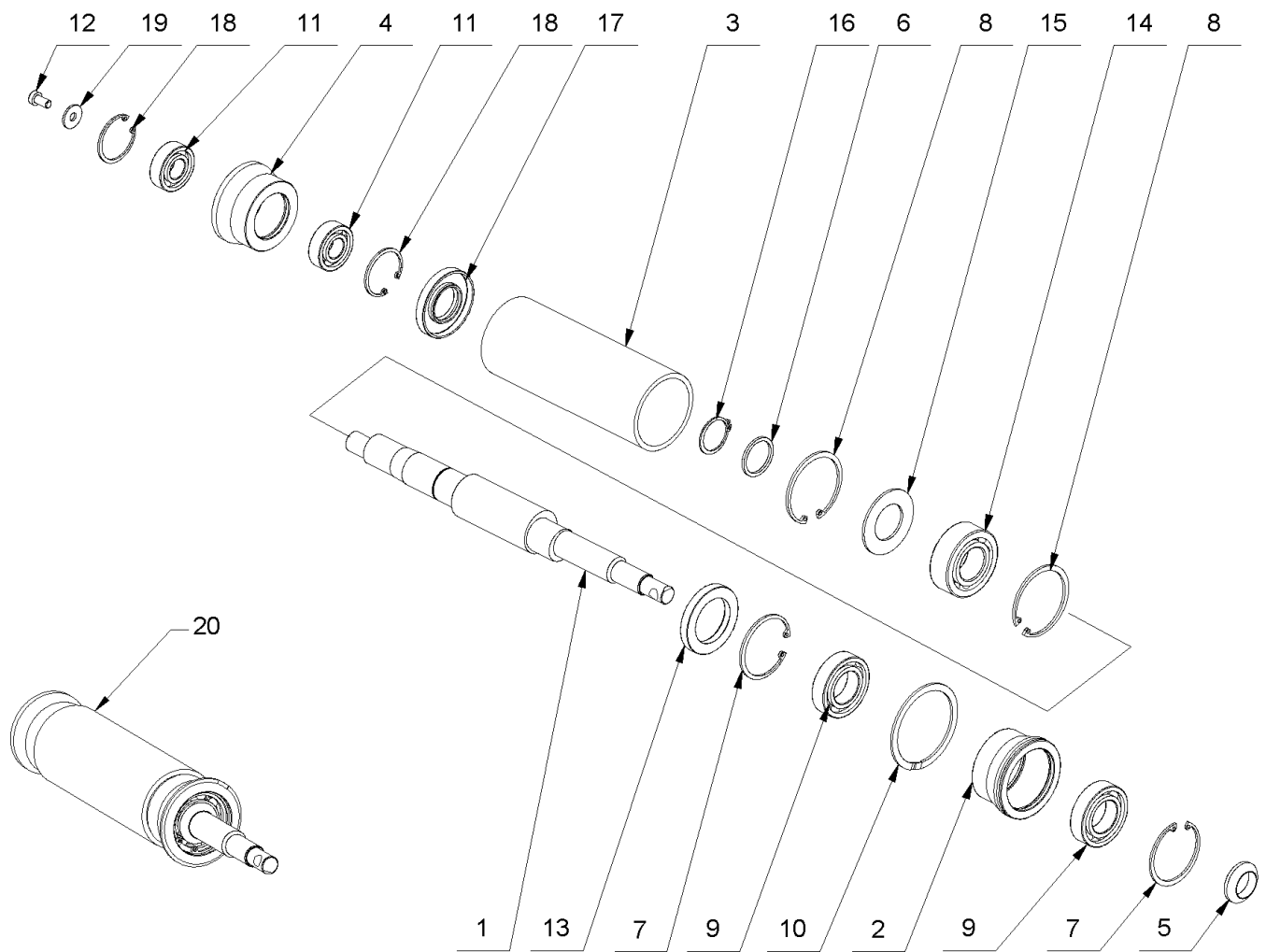
# 8 Fan



## 8 Fan

Item no.	Article no.	Description	Quantity
1	052469	Fan flange Cobra 09	1
2	014599	Fan wheel Cobra	1
3	052467	Belt pulley ventilator Cobra 09	1
4	052480	Belt shroud Cobra 09	1
5	078129	Label tip belt extending CobraClassic	1
6	052163	RAPID-spring shackle	1
7	052491	Distance bushing ventilator Cobra 09	1
8	014799	Lens head screw M6x10	2
9	018091	Circlip I35 DIN472	2
10	018359	Ball bearing 6003 2RS	2
11	014830	Washer M12 DIN 125 A	1
12	017455	Hexagon screw M12x 20 DIN 933	1
13	052626	Self-tapping screw M3x6 DIN 75000	2
14	053243	Fan flange cpl. Cobra 09	1
15	014726	Cylinder head screw M6x12 DIN 912	3

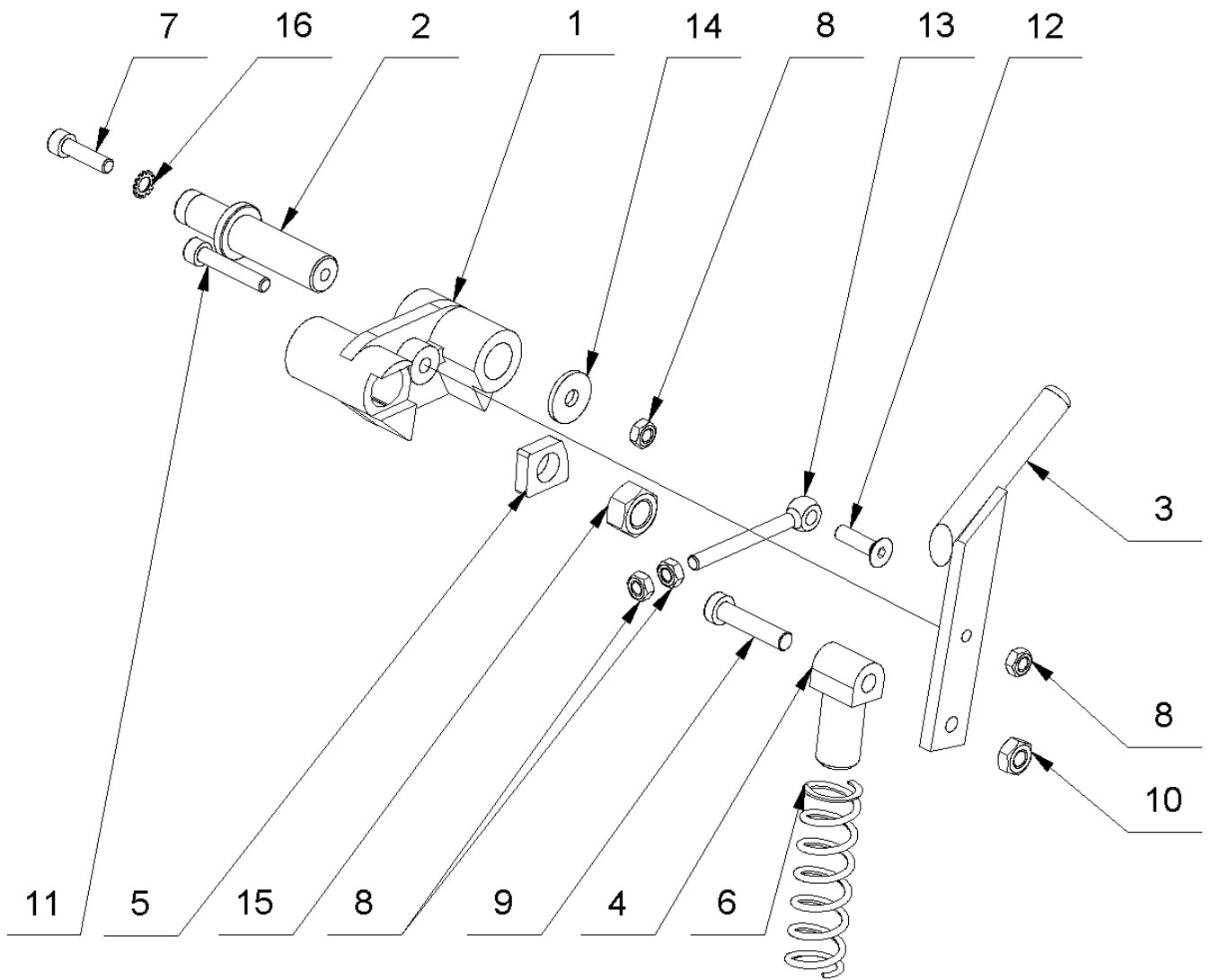
## 9 Tension roller



## 9 Tension roller

Item no.	Article no.	Description	Quantity
1	016189	Tension roller shaft Cobra	1
2	014625	Inner roll Cobra/Viper/Python	1
3	014629	Roller empty Viper / Cobra	1
4	014622	Outside roll Cobra/Viper/Python	1
5	016202	Adjustment ring Cobra/Python	1
6	016360	Washer 25x30x2 DIN 988	1
7	014855	Safety washer I47 DIN 472	2
8	014857	Safety washer I52 DIN 472	2
9	014704	Ball-bearing 6005 2RSH	2
10	166323	Safety washer XDNS 60-X	1
11	018351	Ball bearing 6202 2RS	2
12	055830	Cylinder head screw M6x12 DIN 7984	1
13	014628	Inner packing ring Vip/Cob/Pyth 35-52-10	1
14	016198	Swivel bearing 2205 2RS	1
15	043833	Lock washer DIN 137 - B27	1
16	014852	Safety washer A25 DIN 471	1
17	014634	Shaft seal Vip/Cob/Pyth 25-52-10	1
18	018091	Circlip I35 DIN472	2
19	017724	Washer DIN 9021 6,4x18x1,6	1
20	016845	Tension Roll new complete Cobra	1

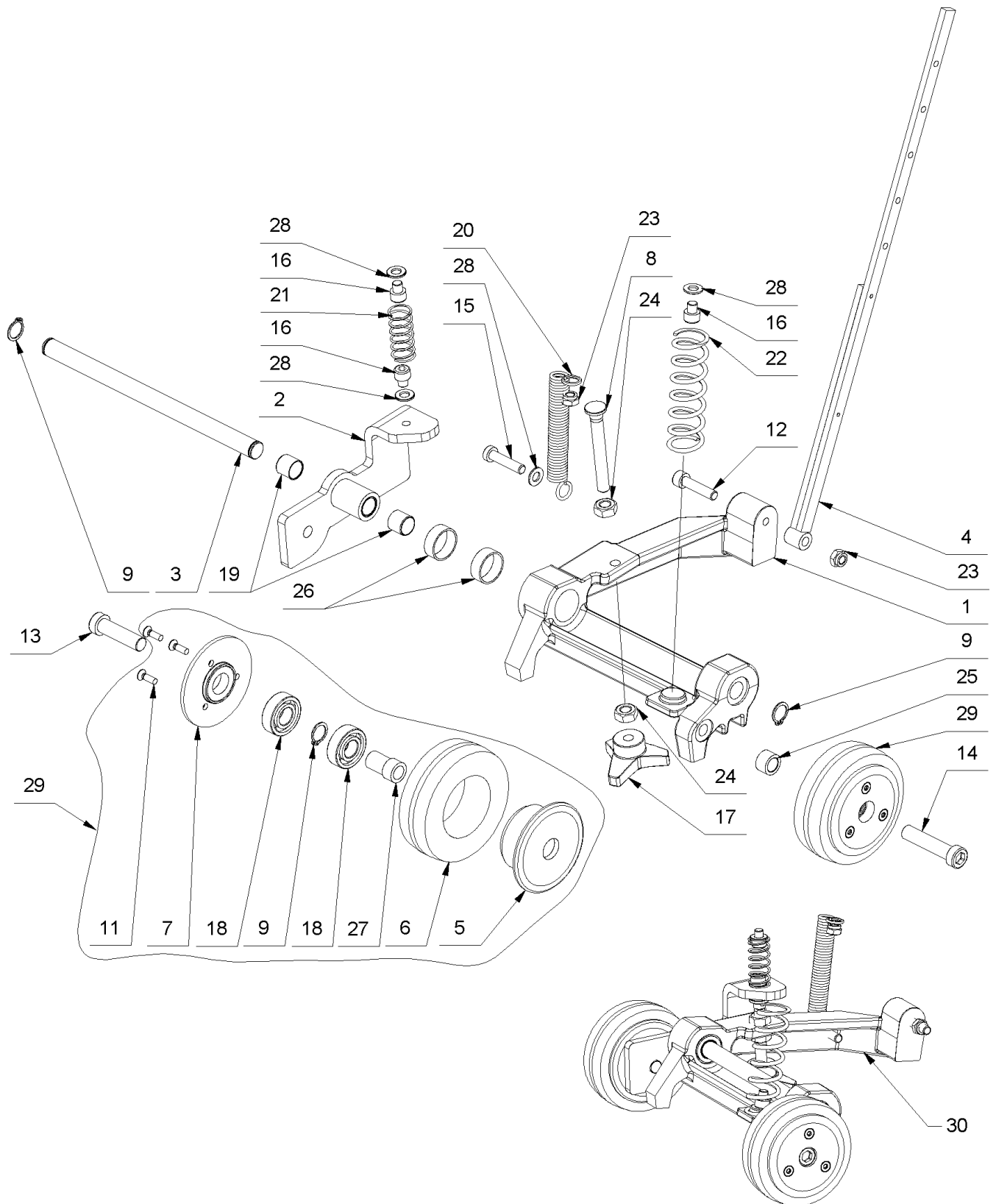
# 10 Roller clamo



## 10 Roller clamo

Item no.	Article no.	Description	Quantity
1	016338	Tension roller holder Cobra/Python	1
2	016345	Mounting bolt Cobra/Viper/Python	1
3	053223	Clamping Lever Cobra 09	1
4	016492	Pressure piece Cobra/Viper/Python	1
5	016190	Adjusting plate Cobra/Python	1
6	016179	Pressure spring 30x100x3,5	1
7	014736	Cylinder head screw M8x30 DIN 912	1
8	014810	Hexagon nut M 8 DIN 934 I6I/I8I	4
9	016340	Cylinder head screw M10x45 DIN 6912	1
10	014811	Hexagon nut M 10 DIN 934	1
11	016343	Cylinder head screw M10x45 DIN 6912	1
12	017116	Countersunk screw M8x30 10.9 DIN 7991	1
13	016347	Eye screw M8x80 special	1
14	043902	Washer 8,4x30 DIN 522	1
15	014620	Lock nut M16 DIN 934	1
16	016321	Spring washer A 8,4 DIN 6798	1

# 11 Carriage

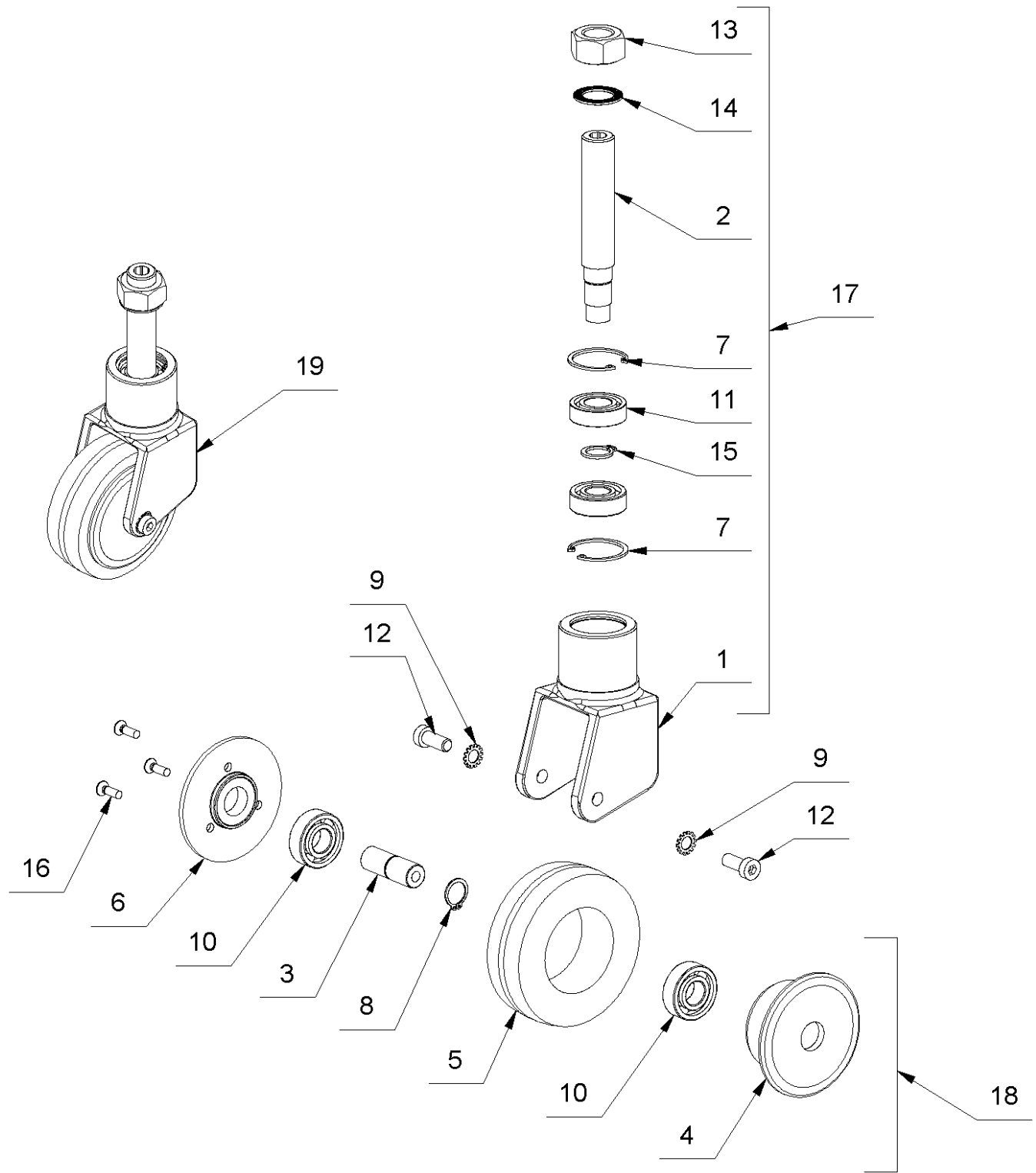




## 11 Carriage

Item no.	Article no.	Description	Quantity
1	052471	Gear lever Cobra 09	1
2	052472	Rocker arm Cobra 09	1
3	052473	Chassis axis Cobra 09	1
4	066294	Tow bar lower part 5fach Cobra 09	1
5	016415	Steering and wheel rim Cobra/Viper/Pytho	1
6	053246	Chassis cpl. Cobra 09	1
7	016416	Wheel cover Cobra/Viper/Python	1
8	053287	Hinged foot Cobra 09	1
9	018101	Safety washer A15 DIN 471	3
11	080377	Countersunk screw M5x16 (Torx)	3
12	014737	Cylinder head screw M8x35 DIN 912	1
13	056142	Cylinder head screw M12x50 DIN 6912	1
14	016554	Cylinder head screw M12x55 DIN 6912	1
15	016430	Cylinder head screw M8x35 DIN 6912	1
16	062130	Cylinder head screw M8x8 DIN 912	3
17	037940	Three-star grip nut D63 x M10	1
18	018351	Ball bearing 6202 2RS	2
19	067685	Friction bearing GSM 1517-15	2
20	068202	Tension spring D 2,5	1
21	059669	Pressure spring VD-212C / 19,80x44x1,60	1
22	016179	Pressure spring 30x100x3,5	1
23	014816	Hexagon nut M8 DIN 985	2
24	014811	Hexagon nut M 10 DIN 934	2
25	016446	Distance bushing 18x12x11 Cobra	1
26	052953	Bushing 2510	2
27	016422	Socket for wheel axle Cobra/Viper/Python	1
28	014828	Washer M8 DIN 125 A	4
29	037082	Wheel compl.Cobra/Viper/Python	1
30	053246	Chassis cpl. Cobra 09	1

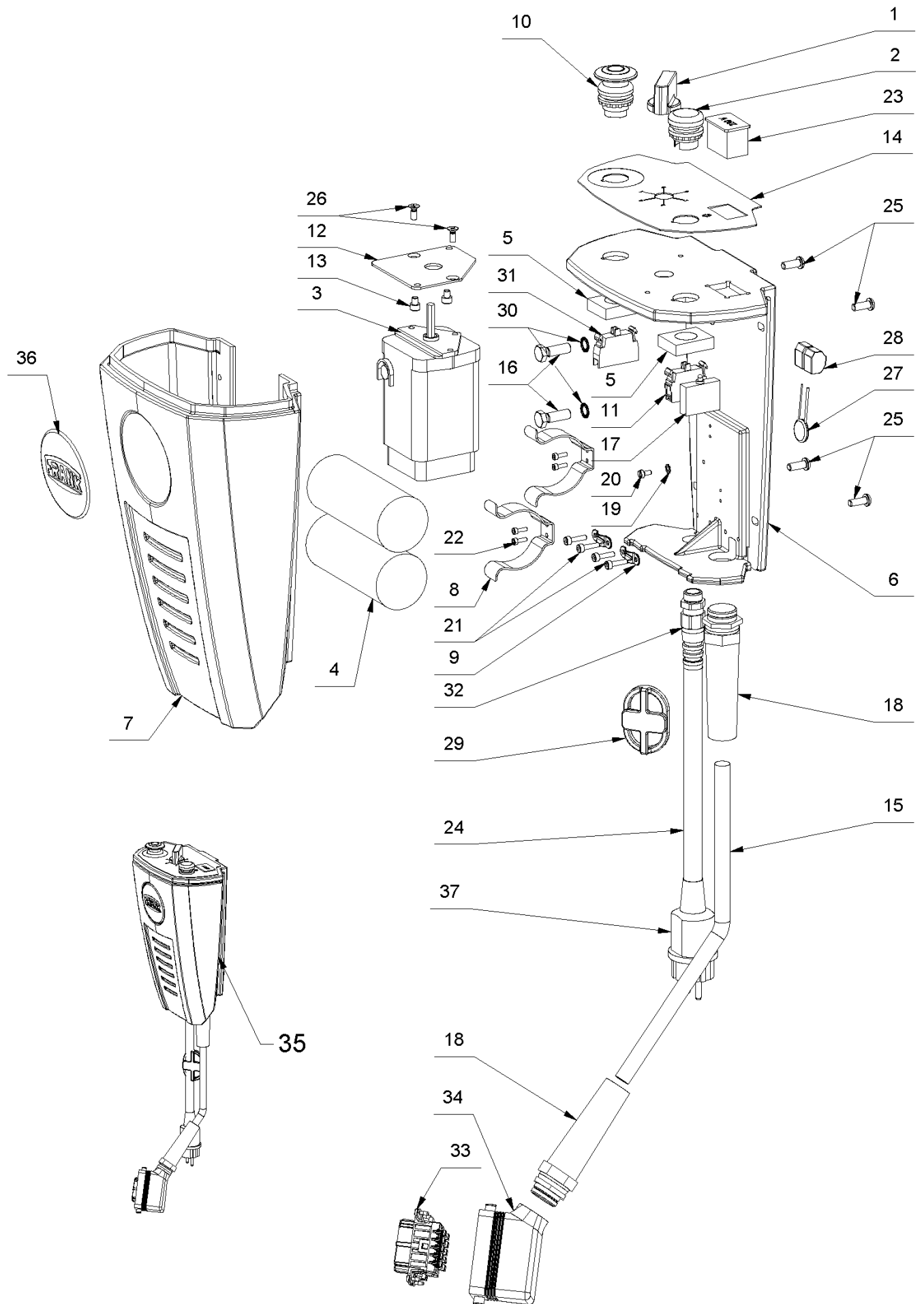
# 12 Caster



## 12 Caster

Item no.	Article no.	Description	Quantity
1	016406	Steering wheel fork Cobra/Viper/Python	1
2	016410	Casting shaft Cobra/Python	1
3	014601	Caster wheel Cobra/Viper/Python	1
4	016415	Steering and wheel rim Cobra/Viper/Pytho	1
5	016171	Vulcolan tyre Cobra/Viper/Python	1
6	016416	Wheel cover Cobra/Viper/Python	1
7	018091	Circlip I35 DIN472	2
8	018101	Safety washer A15 DIN 471	1
9	016321	Spring washer A 8,4 DIN 6798	2
10	018351	Ball bearing 6202 2RS	3
11	018359	Ball bearing 6003 2RS	1
12	016413	Cylinder head screw M6x150 DIN 912	2
13	039981	Hexagon nut M20x1,5 DIN 934	1
14	074979	Washer M20	1
15	014850	Safety washer A17 DIN 471	1
16	016312	Countersunk bolt M5x16 DIN 7991 10.9	3
17	047064	Steering wheel fork without wheel Cobra	1
18	048583	Steering Wheel compl	1
19	016380	Steering wheel with fork cpl.	1

# 13 Cockpit



## 13 Cockpit

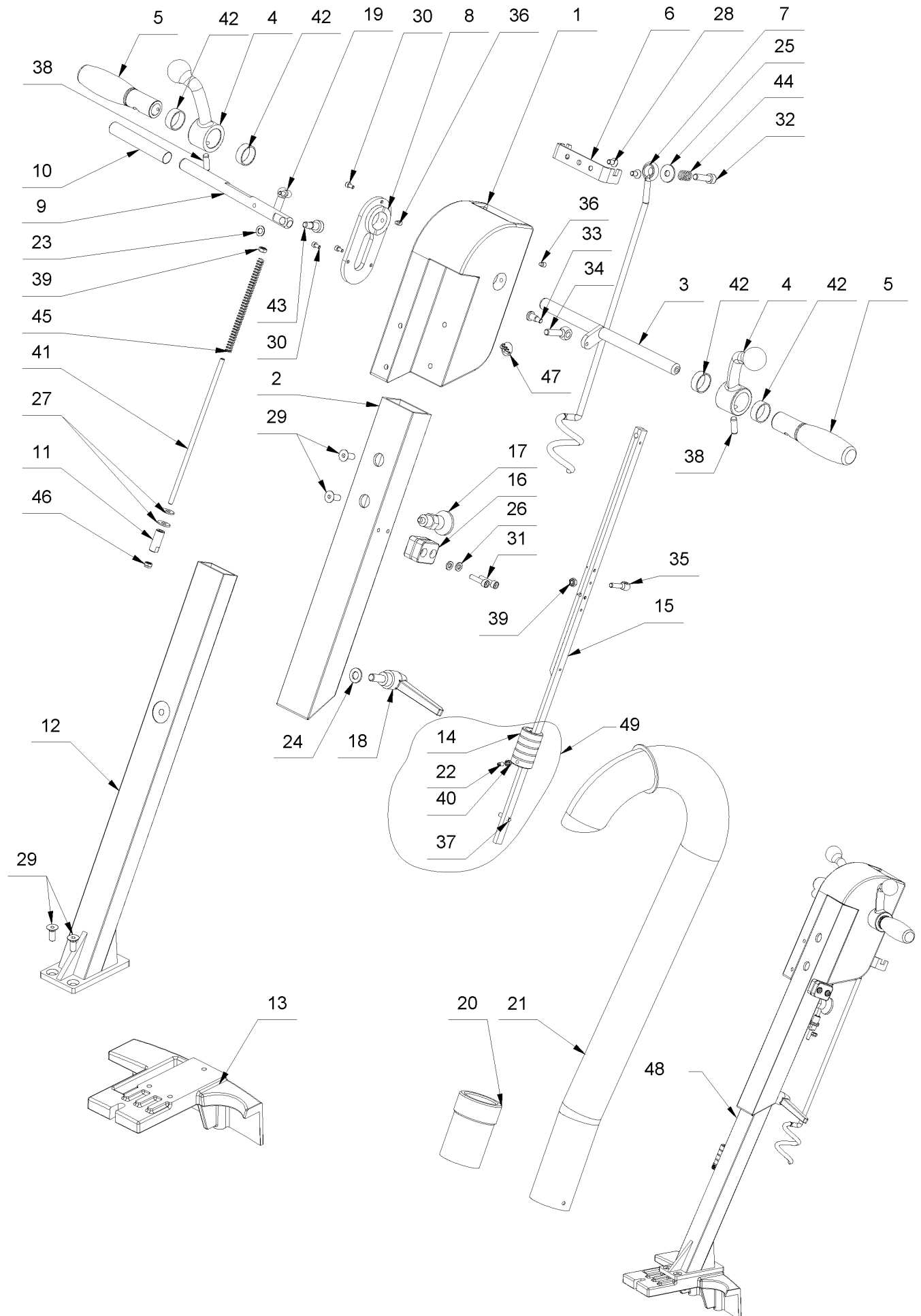
Item no.	Article no.	Description	Quantity
1	043875	Switch Knob	1
2	052444	Pushbutton Cobra 09	1
3	043869	Switch NR152678 Cobra	1
4	043843	Start Capacitor 60 µF Ducati	2
5	017503	Adapterattachment	2
6	052368	Support cast Cockpit Cobra 09	1
7	052373	Cover Cockpit Cobra 09	1
8	052434	Spring clamps Cobra 09	2
9	015211	Cable clamp Motor Duro 2.0	2
10	052443	Safety switch	1
11	017505	Contact element shut NO	1
12	053073	Adapting plate f.switch Cobra 09	1
13	018276	Cylinder head screw M5x6 DIN 912	2
14	052586	Slide display Cobra 09	1
15	053025	Control line Cobra 09	1
16	014775	Hexagon bolt M 8x25 DIN 933	2
17	038638	LED for signal lamp	1
18	053004	Screw connection w.bending prot. M25x1,5	2
19	017663	Tooth lock washer 4.3 Form A DIN 6797	1
20	017473	Cylinder head screw M4x8 DIN 84 brass	1
21	017743	Cylinder head screw M4x16 DIN 912	4
22	014715	Cylinder head screw M3x10 DIN 912	4
23	078604	Digital meter with large clip Cobra09	1
24	053026	El.cord 3G2,5x0,4m grey w.plug	1
25	017552	Lens head screw M 6x16 ISO 7380	4
26		Countersunk screw M5x12 includes in delivery of Pos. 3	2
27	056885	Varistor Cobra 09	1
28	050146	Connecting terminal 2-fold	2
29	067749	cable retention	1
30	014860	Schnorr Washer M8	2
31	017507	Contact element open NC	1
32	038585	Strain relief w.bending prot.M16x1,5	1
33	053511	Bush insert 10E polig	1
34	078858	Housing for shackle	1

## 13 Cockpit

---

Item no.	Article no.	Description	Quantity
35	053251	Cockpit cpl. 230V/50Hz Cobra 09	1
36	137491	Label Frank 3D Ø80mm	1
37	019170	Plug 3-pol.230V SK1 UK	1

# 14 Handle



## 14 Handle

Item no.	Article no.	Description	Quantity
1	052375	Cover grip Cockpit Cobra 09	1
2	052611	Outside tubeCobra 09	1
3	052629	Shaft f. lowering device Cobra 09	1
4	052538	Lever to operate Cobra 09	2
5	081808	Grip with coating Cobra 09	2
6	016521	Cable support Cobra/Viper/Python	1
7	014548	Cable arm long Viper	1
8	052486	Bearing cover Cobra 09	1
9	052485	Lever Cobra 09	1
10	082068	PVC-hand grip Wega black	1
11	054529	Adjustment nut Cobra 09	1
12	066293	SG Inside tube5fach Cobra 09	1
13	052390	Handle bracket Cobra 09	1
14	053105	Box tow bar Cobra 09	1
15	055870	Tow bar upper part soft cpl. Cobra 09	1
16	079023	Camp f.key SW 6	1
17	037953	Fixing pin	1
18	037952	Clamping lever GN300-92-M10-32 SW	1
19	016632	Angle joint Cobra/Viper/Python	1
20	062045	Suction nozzle Dust / Cobra09	1
21	052684	Dust pipe Staubrohr Cobra 09	1
22	053418	Elastic pressure pieceM6 M5 NLN 0300-0	1
23	017656	Shim ring 8x14x1 DIN 988	1
24	014829	Washer M10 DIN 125 A	1
25	018737	Washer 8,4x24x2 DIN 9021 galv.	1
26	014827	Washer M6 DIN 125 A	2
27	017724	Washer DIN 9021 6,4x18x1,6	2
28	014755	Countersunk screw M6x12 DIN 7991 10.9	2
29	014760	Countersunk screw M8x20 DIN 7991 10.9	5
30	018280	Cylinder head screw M4x8 DIN 912	3
31	014731	Cylinder head screw M6x25 DIN 912	2
32	014736	Cylinder head screw M8x30 DIN 912	1
33	052489	Flat head screw hardened Cobra 09	1
34	047216	Eye screw M8x40 DIN 444	1

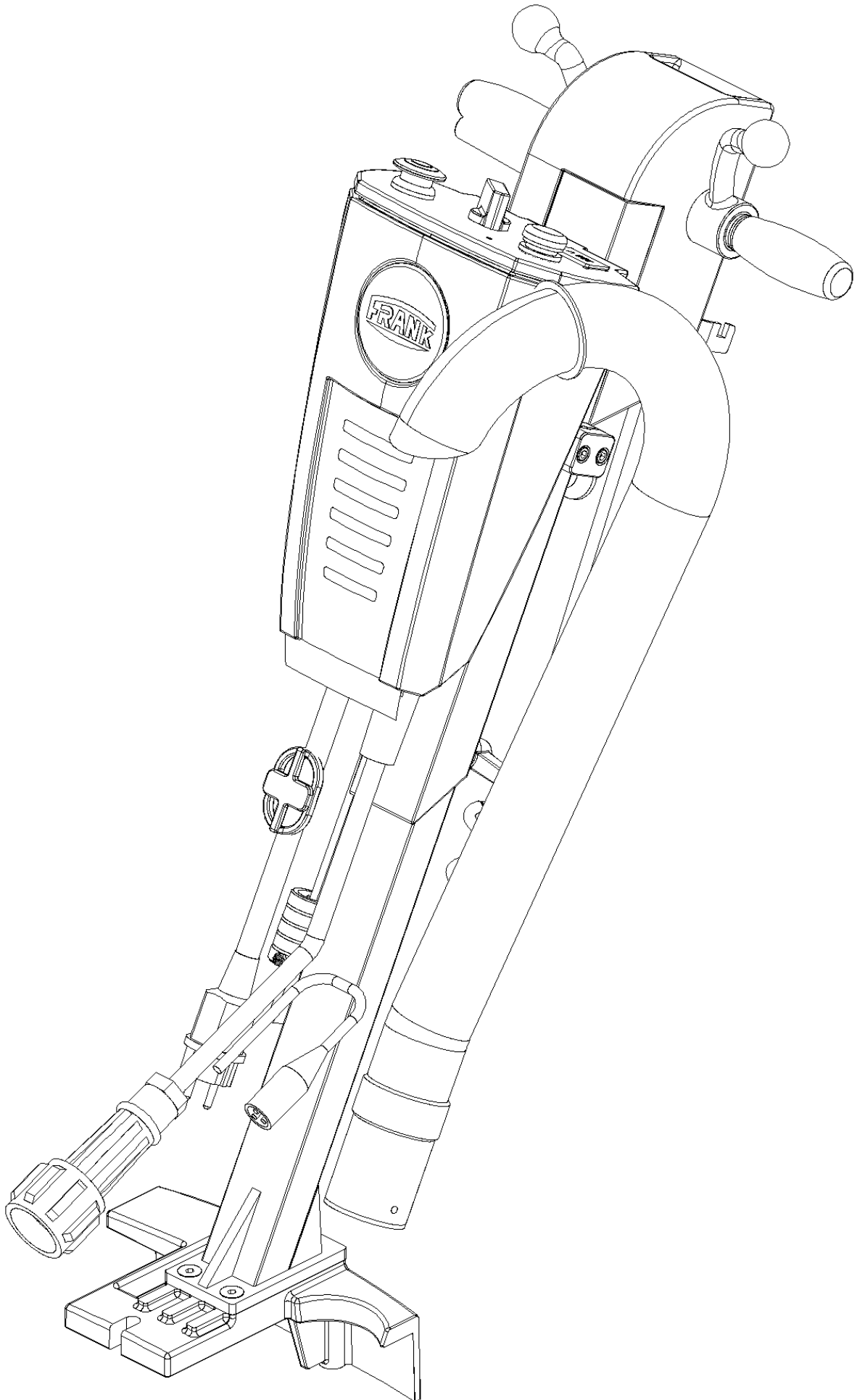


## 14 Handle

Item no.	Article no.	Description	Quantity
35	074815	Ring screw M6x30	1
36	014792	Headless pin M6x10 DIN 915	2
37	018135	Cylindrical pin 5x 20 DIN 7	1
38	053824	cylindrical pin 8x 24 DIN 7979	2
39	014809	Hexagon nut M6 DIN 934	2
40	017773	Hexagon nut M5 DIN 934	1
41	054528	Control rod Cobra 09	1
42	052953	Bushing 2510	4
43	052936	Screw M8x12 DIN 7379	1
44	043827	Pressure spring 13x20x1,5	1
45	016638	Pressure spring 9x167x1,2	1
46	014815	Hexagon nut M6 DIN985	1
47	072687	Stopper 12,7-14,3 mm black	1
48	053248	Handle cpl. Cobra 09	1
49	053419	Sliding collar Cobra 09	1

## 15 Handle compl.

---

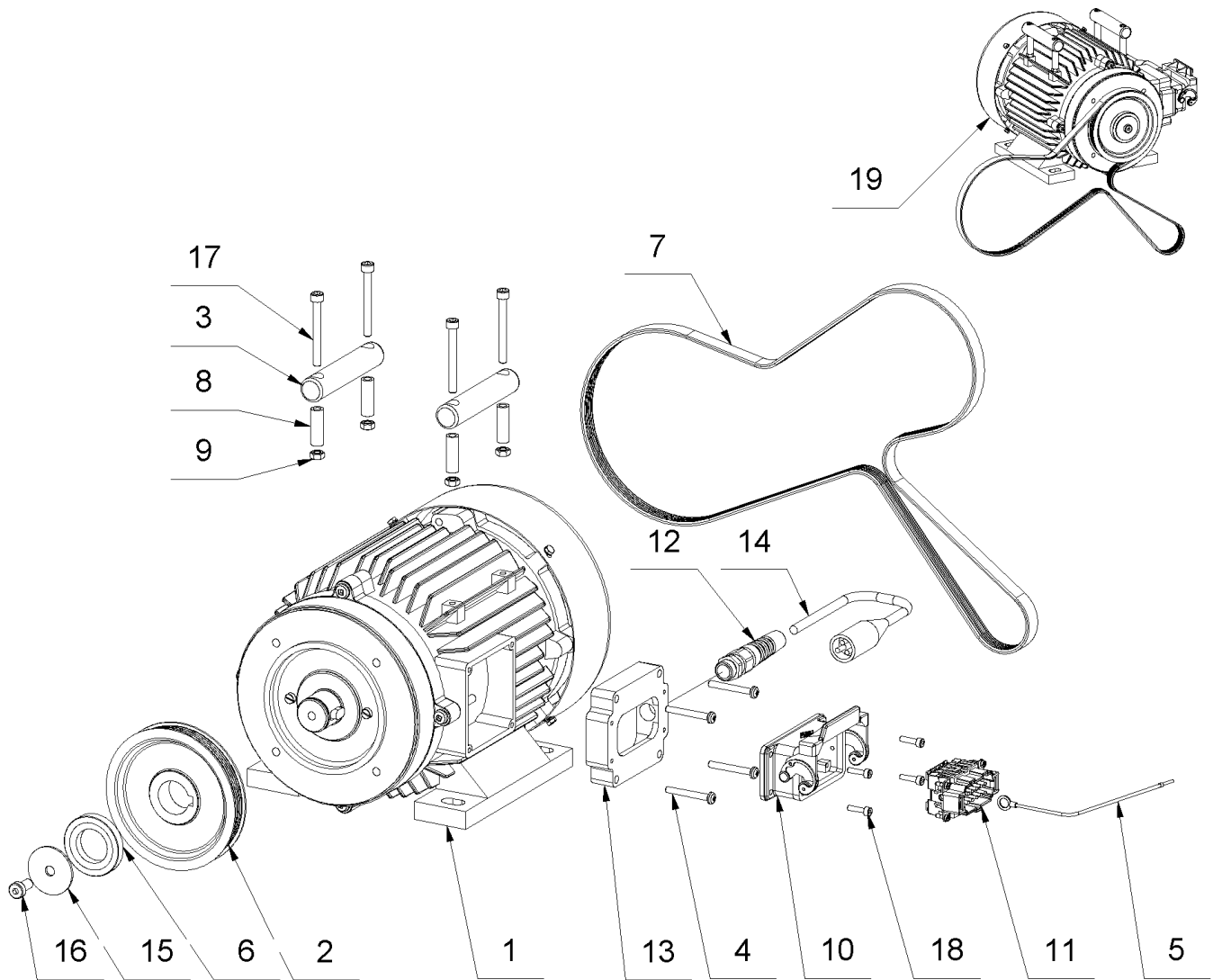


## 15 Handle compl.

---

Item no.	Article no.	Description	Quantity
1	079329	Handle w.cockpit cpl.Cobra09FRANK 07/15	1
2	079328	Handle with cockpit cpl.Cobra09 CH 07/15	1

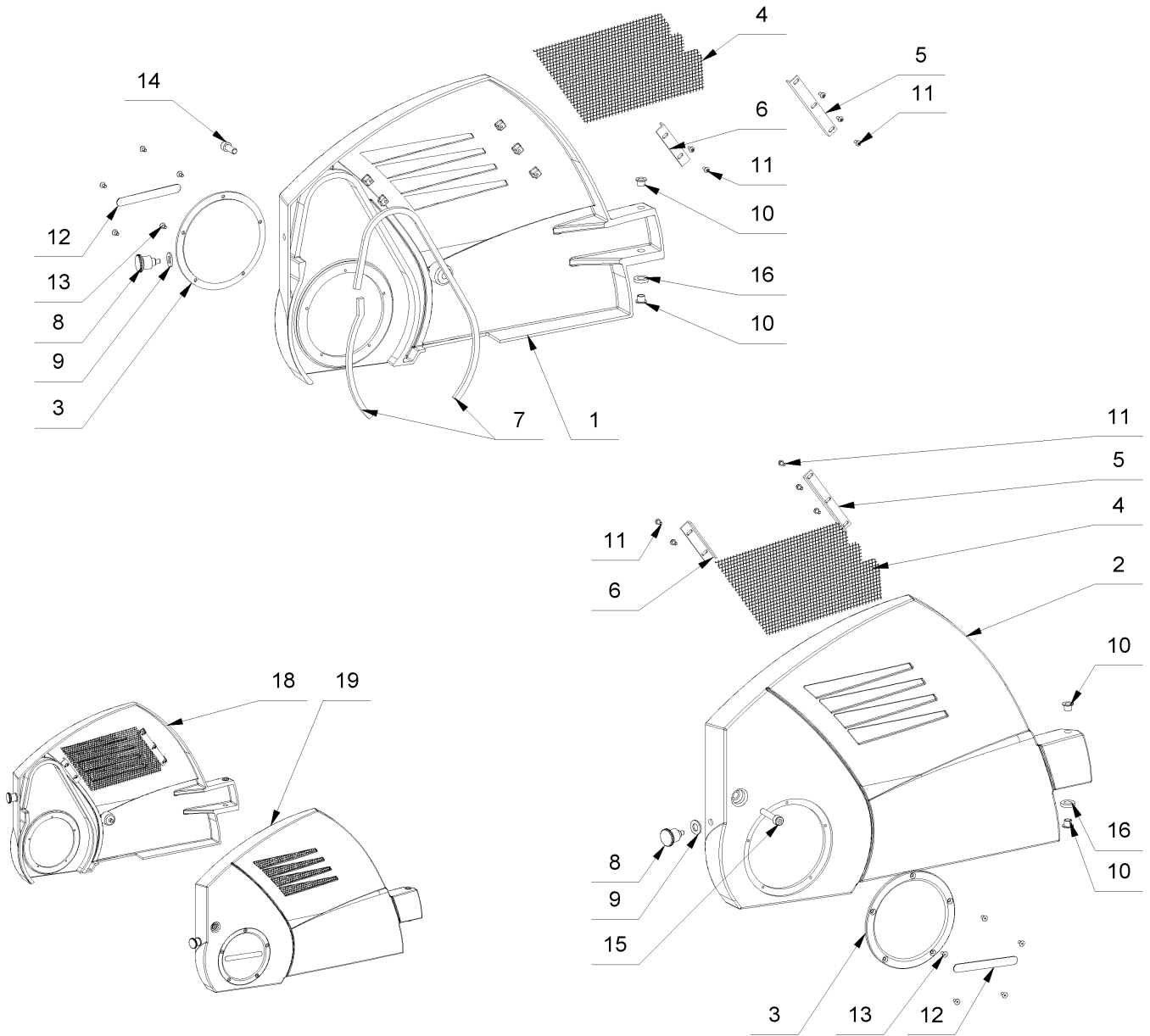
# 16 Motor



## 16 Motor

Item no.	Article no.	Description	Quantity
1	052419	Motor 2,5kW/50Hz/230V Cobra 09	1
1	053814	Motor 3,2kW 240V/50Hz Cobra 09 AUS	1
2	052462	Belt pulley motor Cobra 09	1
3	074727	Handle Motor Part2 Frank Cobra 09	2
4	079113	Screw self-tapping M5x30 DIN 7500	4
5	053485	Cable set Motor Cobra 09	1
6	074425	Ring Motor pulley FrankCobra09	1
7	074585	Poly V Belt 6PJ 1285 Cobra 09	1
8	074497	Distance ring d10x6x30	4
9	014809	Hexagon nut M6 DIN 934	4
10	078857	Housing with bracket	1
11	053812	Pin employment 10 polig	1
12	038585	Strain relief w.bending prot.M16x1,5	1
13	078856	Adapter Motor terminal housing Cobra 09	1
14	052583	Jack Cobra 09	1
15	043903	Washer 8,4x40x1,5 DIN 522	1
16	043918	Cylinder head screw M8x16 DIN 7984	1
17	018261	Cylinder head screw M6x55 DIN 912	4
18	017743	Cylinder head screw M4x16 DIN 912	4
19	079292	Motor cpl.3,2kW/240VCobra09AUSstart07/15	1
19	079291	Motor cpl.2,5kW/230VCobra09starting07/15	1

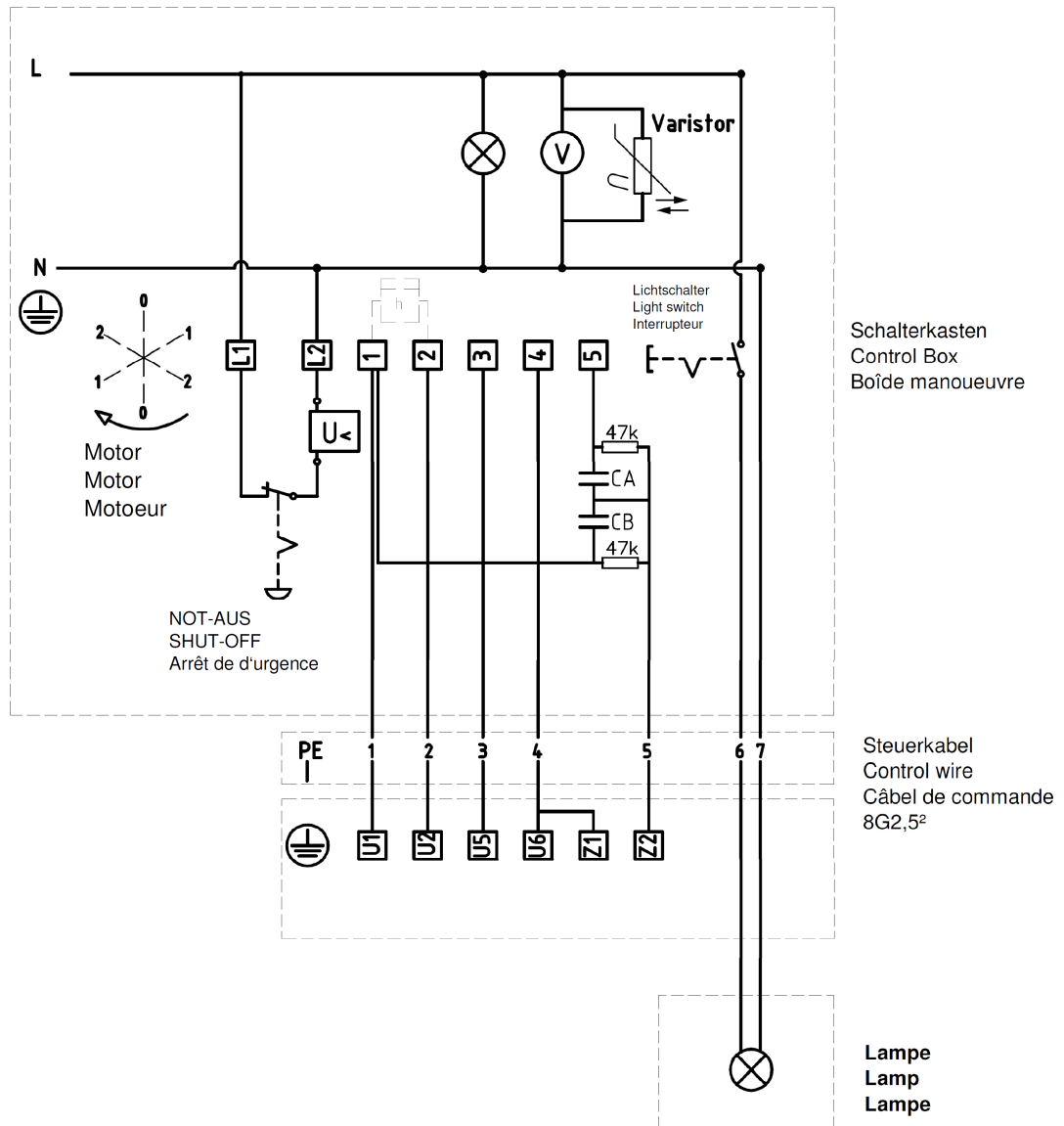
# 17 Cover



## 17 Cover

Item no.	Article no.	Description	Quantity
1	052361	Cylinder door right Cobra 09	1
2	052364	Belt door left Cobra 09	1
3	052595	Door panel Cobra 09	2
4	060283	WirefenceCobra 09 Pallmann	2
5	053460	Bracket 111mm Cobra 09	2
6	053459	Bracket 72mm Cobra 09	2
7	056533	Sealing set cover right 51/19cm	2
8	052440	Arresting bolt	2
9	014829	Washer M10 DIN 125 A	2
10	052490	Bushing BB 08085	4
11	056488	Lens head screw M4x 8	10
12	129933	Label Frank tec inside orangeCobra09	1
13	018324	Countersunk screw M4x8 DIN 7991 10.9	10
14	014734	Cylinder head screw M8x20 DIN 912	1
15	014738	Cylinder head screw M 8x40 DIN 912	1
16	053482	Plastic spacer 10,5x20x4 black	2
18	060275	Door on the right cpl. Cobra 09 Pallmann	1
19	060277	Door on the left cpl. Cobra 09 Pallmann	1

# 18 Circuit diagram





## 18 Circuit diagram

---

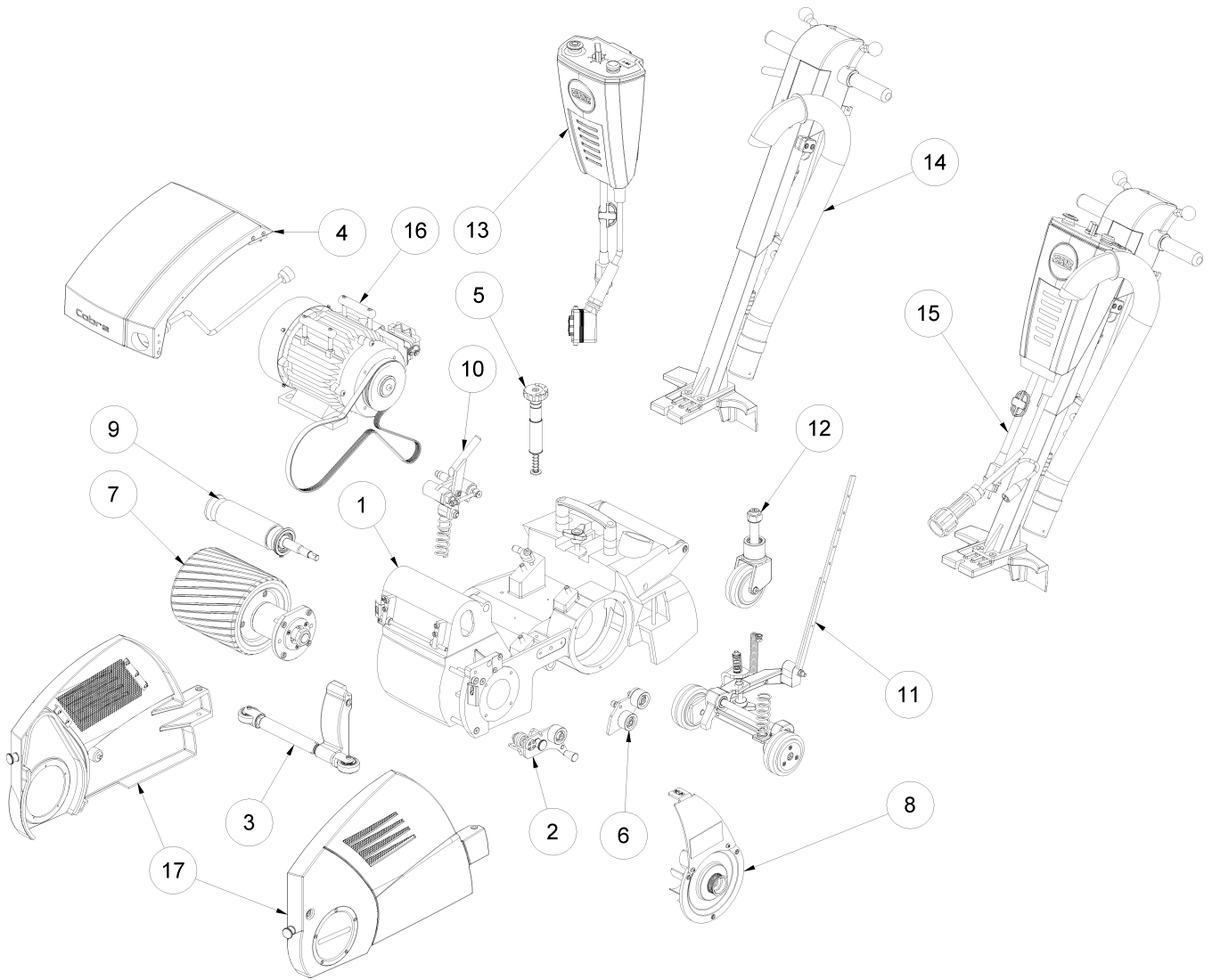
## 19 Tool kit #060281

Article no.	Description	Quantity
017601	Open-end wrench SW17	1
016842	Open-ended wrench SW10	1
016799	Open-end wrench SW13	1
016800	Open-end wrench SW19	1
018635	Open-end wrench SW24	1
043826	Double open-end wrench SW30/36	1
017027	Hexagonal screw key SW4 DIN 911	1
014956	Hexagonal screw key SW5 DIN 911	1
014957	Hexagonal screw key SW6 DIN 911	1
014959	Hexagonal screw key SW8 DIN 911	1
018641	Hexagonal screw key SW10 DIN 911	1
060253	Tool bag orange	1
016813	Multi clip URS/Gecko/Cobra/Viper	1

## 20 Accessories

Article no.	Description	Quantity
012624	CORUNDUM SANDING BELT 200 X 750 MM K 36	1
012627	CORUNDUM SANDING BELT 200 X 750 MM K 60	1
012629	CORUNDUM SANDING BELT 200 X 750 MM K 100	1
060282	extension cord3G2,5x12,5 orange/Pallmann	1
060602	Extension cord 3G2,5x12 Schuko AUS 15A	1
062062	Ext.cord 3G2,5x12,5orangeUK230V/Pallm	1
015315	Hearing protectors	1
016732	Fine dust mask Gecko/URS/Cobra	1
052441	DUST BAG BAG IN BAG COBRA 09 PALLMANN	1
071729	DUST BAG STANDARD COBRA 09 PALLMANN	1
052442	SINGLE USE DUST BAG COBRA 09	1
062045	Suction nozzle Dust / Cobra09	1
074585	Poly V Belt 6PJ 1285 Cobra 09	1
048681	Wheel adjustment aid compl. Viper/Cobra	1
053131	Halogen lamp cpl.230V Cobra 09	1

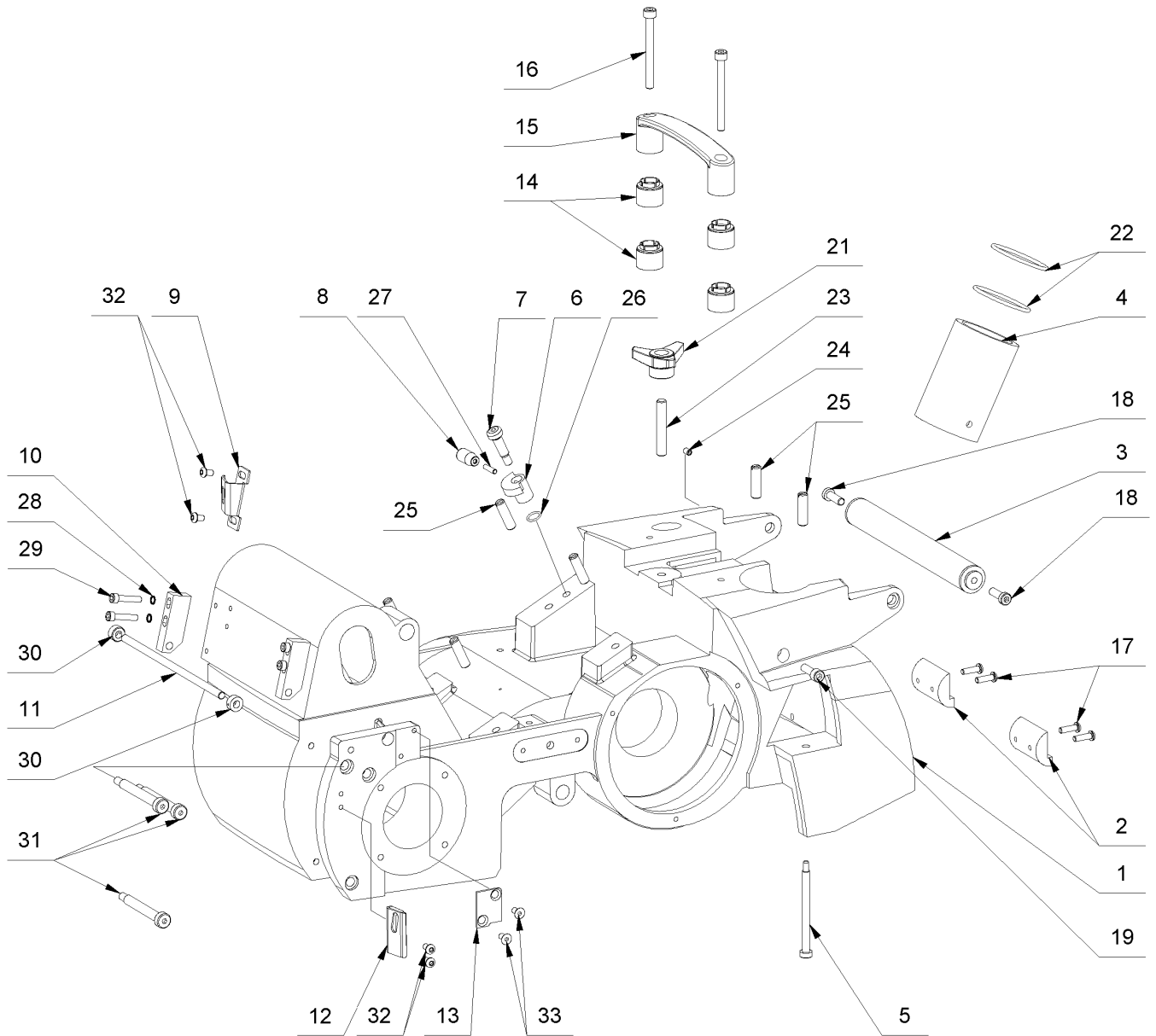
## 6 Frank Cobra 09 230V EU (0762/2016 - up to now)



## 6 Frank Cobra 09 230V EU (0762/2016 - up to now)

Item no.	Article no.	Description
1	06_01_062228	Housing
2	06_02_053277	Belt Holding Fixture
3	03_03_062228	Handle
4	01_04_062228	Cover
5	06_05_062228	Pressure regulation
6	06_06_062228	Adapter plate
7	01_07_062228	Sanding drum bearing
8	01_08_062228	Fan
9	01_09_016845	Tension roller
10	01_10_062228	Roller clamo
11	04_11_053246	Carriage
12	01_12_016380	Caster
13	05_13_079296	Cockpit
14	06_14_053248	Handle
15	06_15_054511	Handle compl.
16	05_16_053250	Motor
17	01_17_062228	Cover
18	01_18_062228	Circuit diagram
19	01_19_060281	Tool kit #060281
20	01_20_062228	Accessories

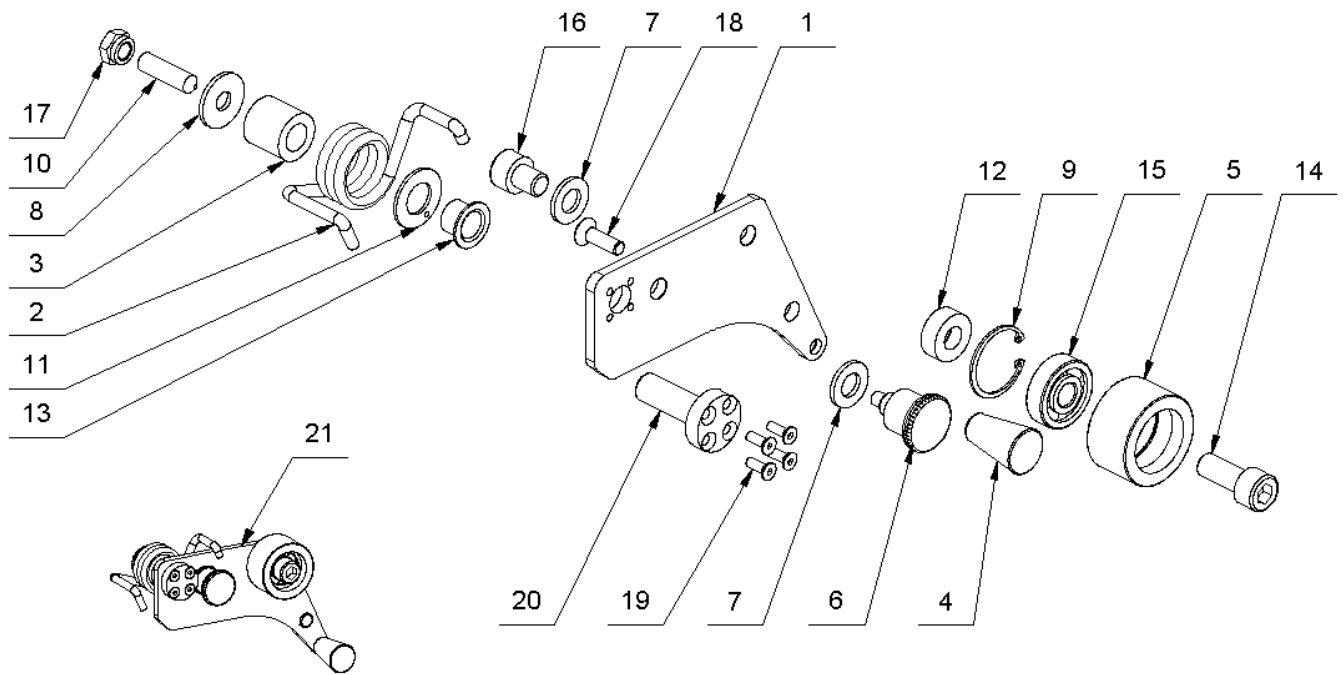
# 1 Housing



# 1 Housing

Item no.	Article no.	Description	Quantity
1	052299	Chassis Cobra 09	1
2	052689	Edge protection Cobra 09	2
3	052507	ZB Carry handle behind Cobra 09	1
4	052593	Sock dust pipe Cobra 09	1
5	052627	Screw M 6x90 DIN 7379	2
6	053077	Bar for motor Cobra 09	1
7	053030	Screw M10x25 DIN 7379	1
8	053426	Cylindr.knob Cobra 09	1
9	053922	Right door lock Cobra 09	1
10	053114	Hood angle Cobra 09	2
11	059611	Shaft Cobra 09	1
12	053921	Left door lock Cobra 09	1
13	053221	Stop plate stop bolt Cobra 09	1
14	056814	Distance bushing for U-handle	4
15	056811	Handle grip GN628 150mm	1
16	018249	Cylinder head screw M8x80 DIN 912	2
17	018706	Lens head screw M6x20	4
18	016365	Cylinder head screw M10x45 DIN 6912	2
19	014735	Cylinder head screw M8x25 DIN 912	1
21	037940	Three-star grip nut D63 x M10	1
22	052952	O-Ring 57x3	2
23	053041	Stud bolt M10x45 DIN 835	1
24	049055	Headless pin M6x10 DIN 914	1
25	052452	Shaft screw M10x35 DIN 427	6
26	053468	O-Ring 12x1	1
27	018203	Headless pin M5x20 DIN 913	1
28	014859	Schnorr washer M6	4
29	017678	Cylinder head screw M6x30 DIN 912	4
30	059599	Adjusting ring Ø 8 DIN 705 A	2
31	052451	Screw M 8x70 DIN 7379	3
32	014799	Lens head screw M6x10	4
33	014755	Countersunk screw M6x12 DIN 7991 10.9	2

## 2 Belt Holding Fixture

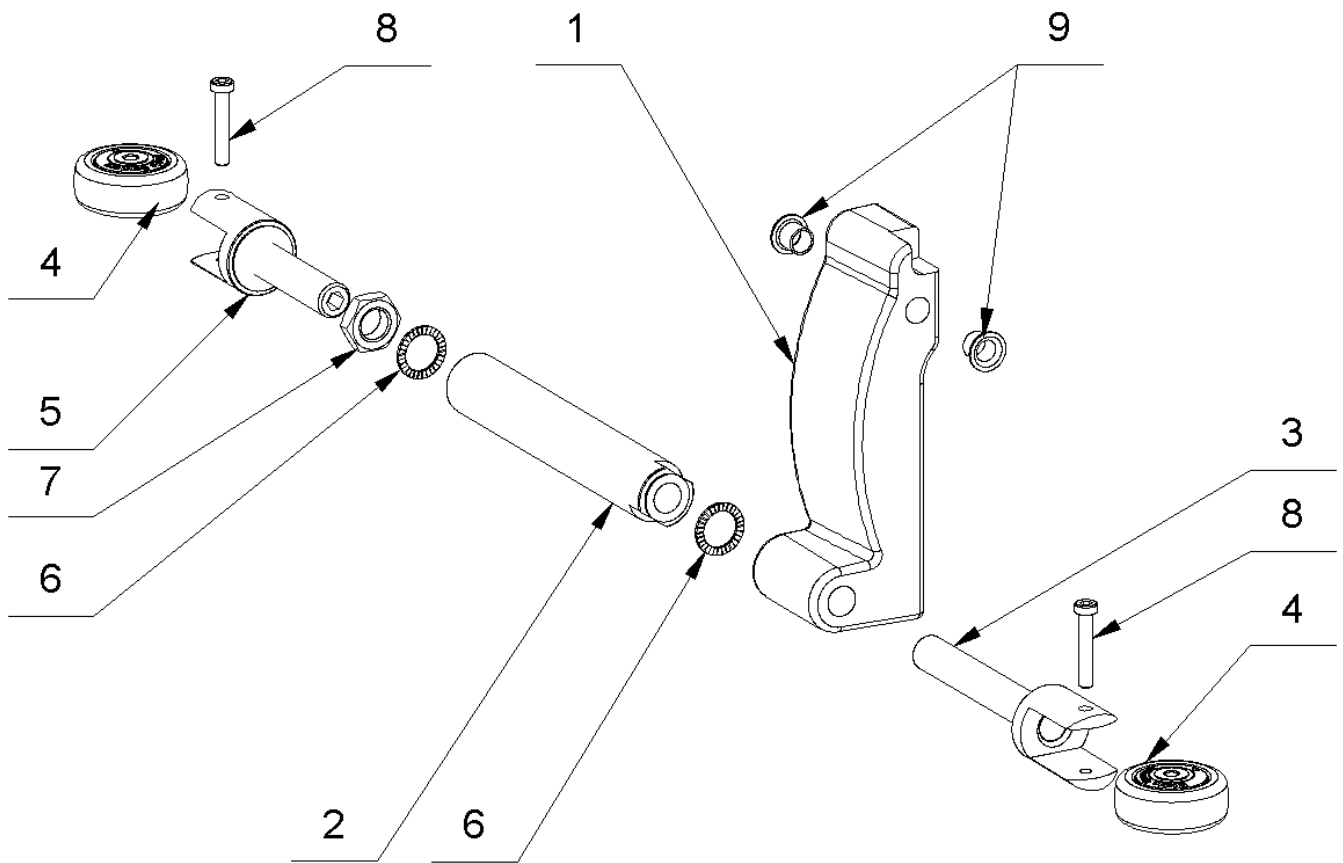




## 2 Belt Holding Fixture

Item no.	Article no.	Description	Quantity
1	083884	Span roll holder	1
2	064322	Lag spring 5mm Cobra 09 Cobra 09	1
3	052487	Distance bushing Cobra 09	1
4	083912	Knob cone 25mm SAM	1
5	052468	Tension-/guide pulley Cobra 09	1
6	052440	Arresting bolt	1
7	014829	Washer M10 DIN 125 A	2
8	018737	Washer 8,4x24x2 DIN 9021 galv.	1
9	053318	Circlip I30 DIN 472	1
10	014790	Thread pin M8x35 DIN 913	1
11	068574	Washer WC12DU 14x26x1,5	1
12	052690	Distance bushing 21x10x8 Cobra 09	1
13	018765	Bushing 1212 DU	1
14	049654	Cylinder head screw M10x25 DIN 912	1
15	018353	Ball bearing 6200 2RS HS800	1
16	018302	Cylinder head screw M10x12 DIN 912	1
17	014816	Hexagon nut M8 DIN 985	1
18	014757	Countersunk screw M6x20 DIN 7991 10.9	1
19	017703	Countersunk screw M4x12 DIN 7991 10.9	4
20	083879	Shaft with collar Tension pulley holder	1
21	083934	Span roll holder	1

### 3 Handle

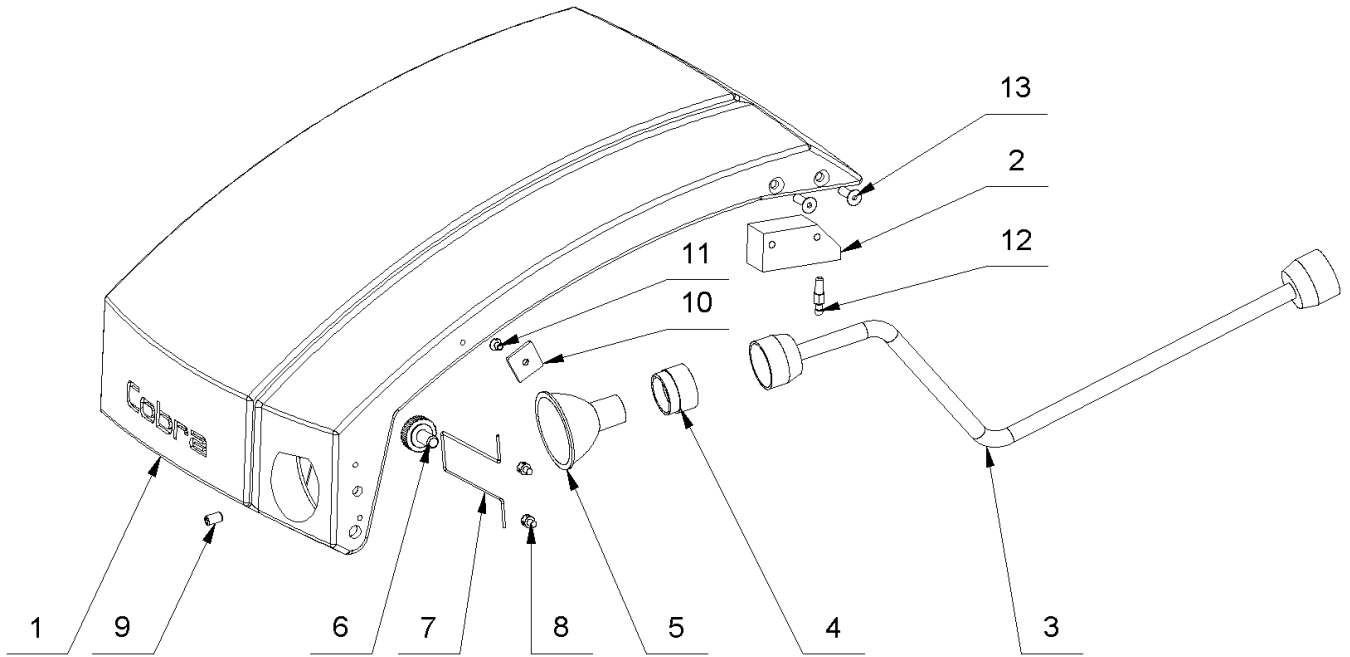


### 3 Handle

Item no.	Article no.	Description	Quantity
1	066944	Handle bracket M16 Cobra 09	1
2	066962	Front carrying handle M 16 Cobra 09	1
3	066945	Holding device li Cobra 09	1
4	060072	Barrier distance roll grey Cobra 09	2
5	068095	Holding device right Cobra 09	1
6	034216	Safety washer M16	2
7	043886	Hexagon M 16 DIN 936	1
8	053071	Cylinder head screw M6x35 DIN 6912	2
9	018682	Bushing BB 1012	2

## 4 Cover

---

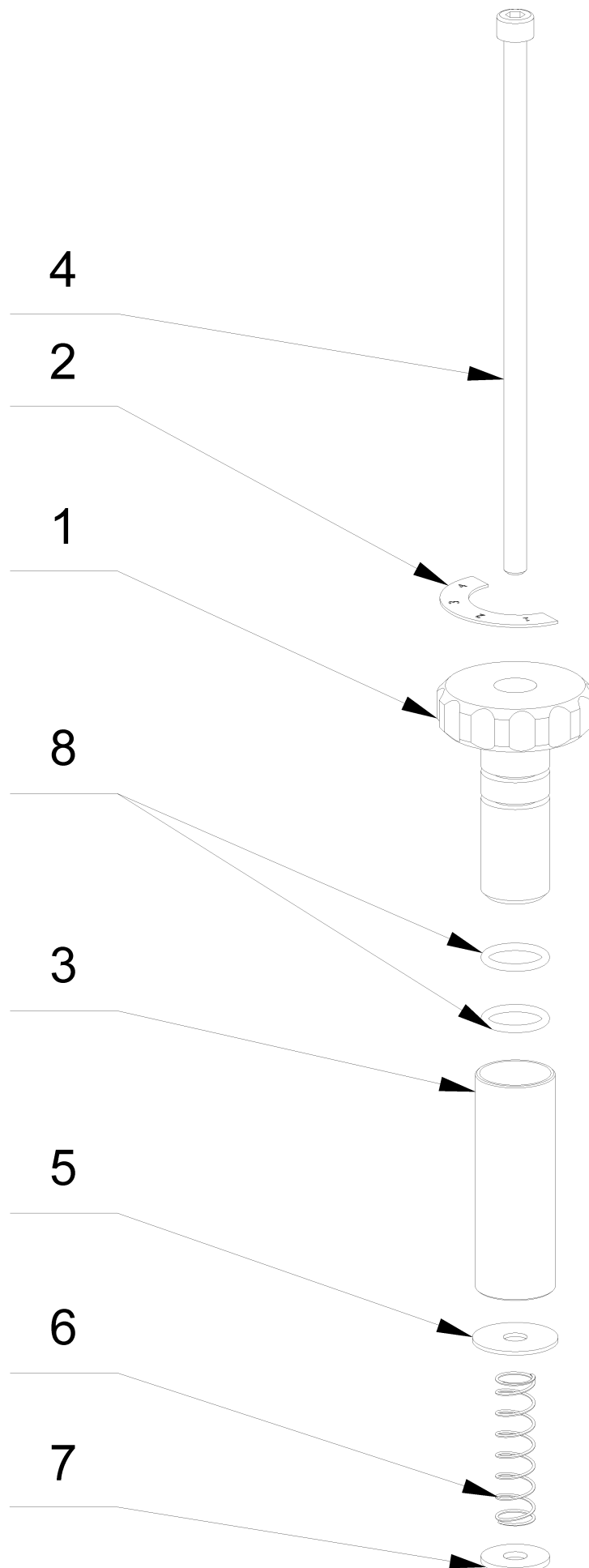


## 4 Cover

Item no.	Article no.	Description	Quantity
1	052366	Cover Cobra 09	1
2	053421	Holder f. nipple Cobra 09	1
3	052582	Connector cable Cobra 09	1
4	052437	Socket GU/GZ10 Cobra 09	1
5	053131	Halogen lamp cpl.230V Cobra 09	1
6	014800	Thumb screw M6x14 Inden	1
7	052449	Clamp halogen lamp Cobra 09	1
8	052587	Cross bolt hole M4x5 Cobra 09	2
9	049055	Headless pin M6x10 DIN 914	1
10	053445	Adhesive base Cobra 09	4
11	016469	Countersunk screw M4x6 DIN 963	1
12	052164	RAPID-nipple	1
13	016312	Countersunk bolt M5x16 DIN 7991 10.9	2

## 5 Pressure regulation

---

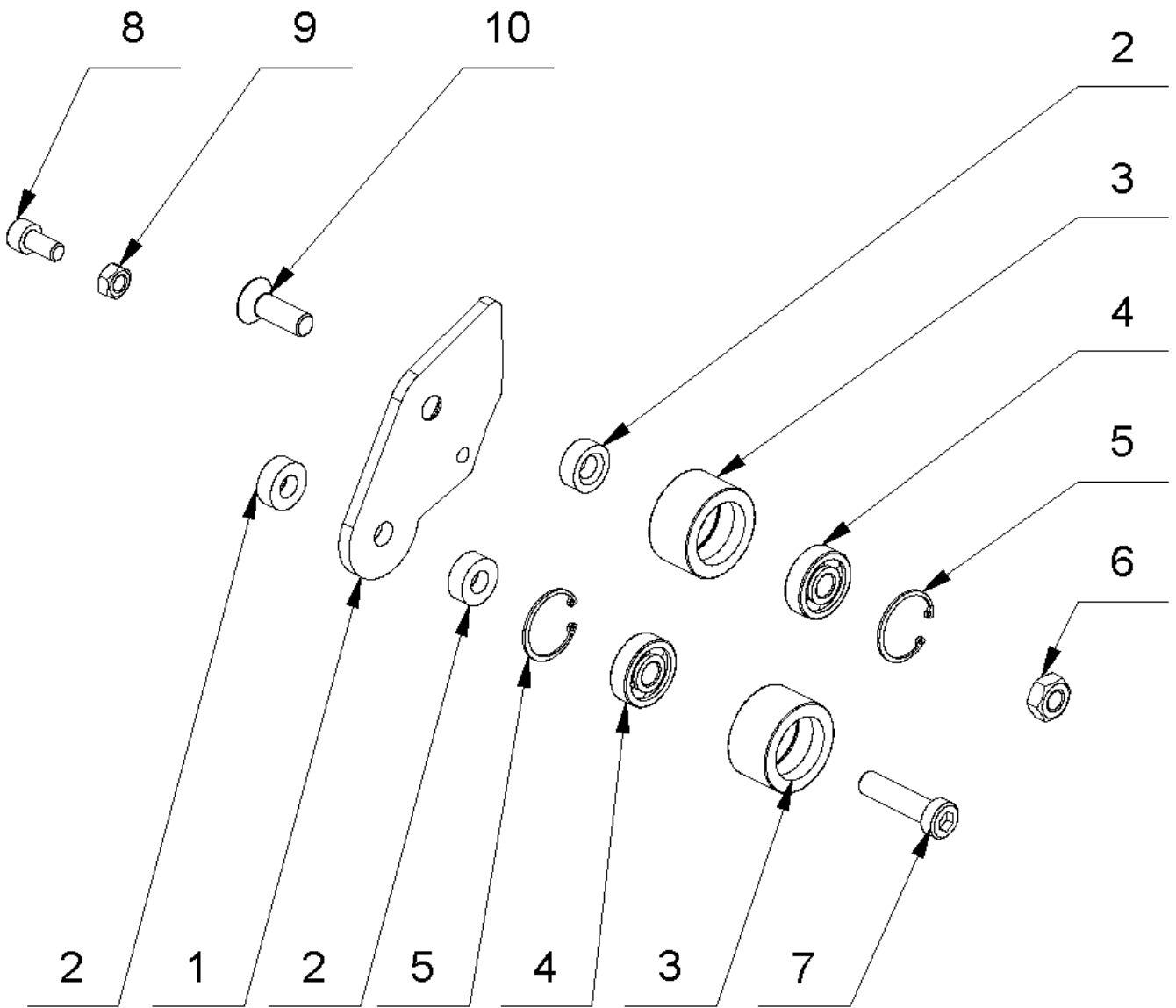


## 5 Pressure regulation

---

Item no.	Article no.	Description	Quantity
1	016327	Regular screw Cobra/ Python	1
2	053314	Label roller printing Cobra 09	1
3	054727	Threaded sleeve Cobra 09	1
4	052615	Cylinder head screw M8x180 DIN 912	1
5	043902	Washer 8,4x30 DIN 522	1
6	080440	Pressure spring D 145H-11	1
7	018737	Washer 8,4x24x2 DIN 9021 galv.	1
8	043853	Marking ring black	2

## 6 Adapter plate

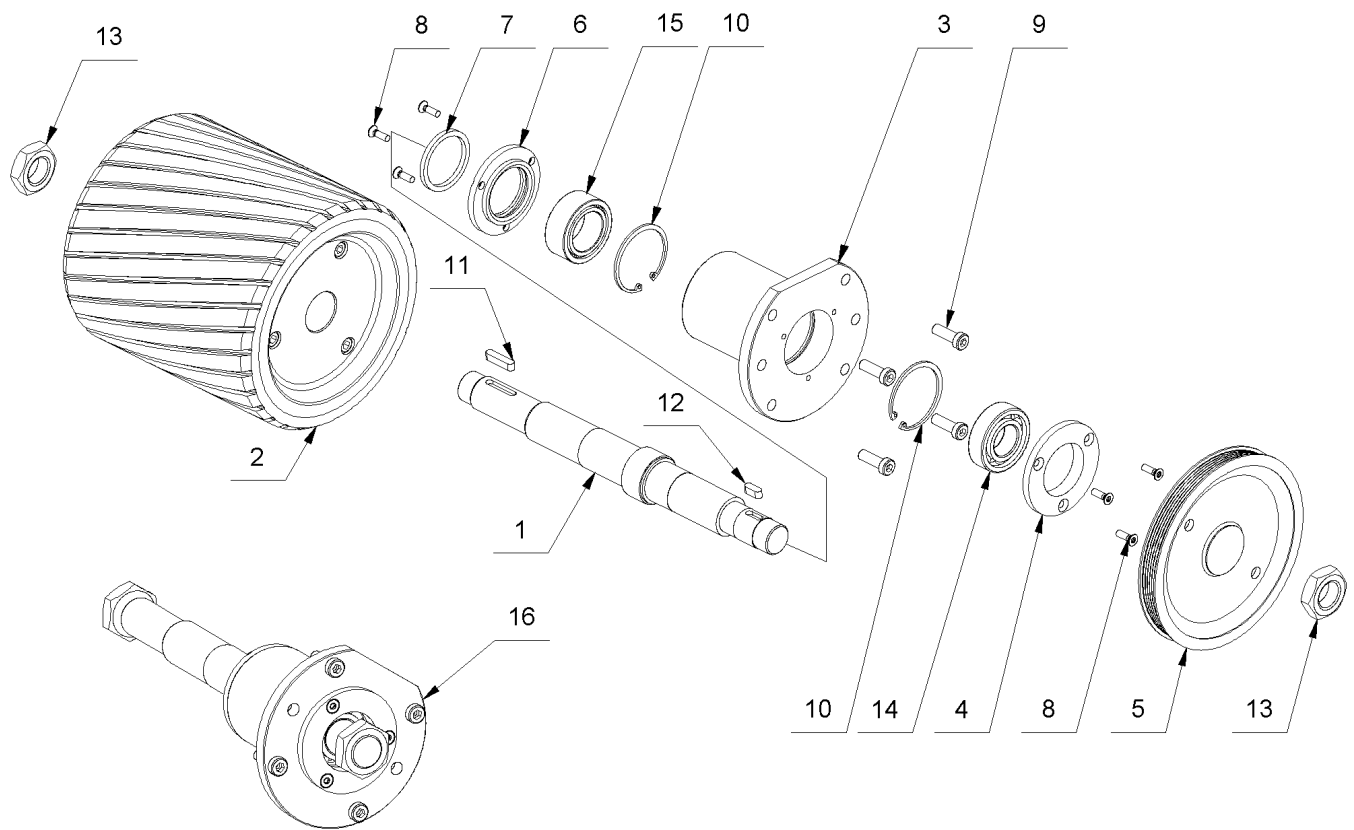




## 6 Adapter plate

Item no.	Article no.	Description	Quantity
1	080441	Adapter plate2 Frank Cobra 09	1
2	052690	Distance bushing 21x10x8 Cobra 09	3
3	052468	Tension-/guide pulley Cobra 09	2
4	018353	Ball bearing 6200 2RS HS800	2
5	053318	Circlip I30 DIN 472	2
6	014811	Hexagon nut M 10 DIN 934	1
7	043915	Cylinder Head Bolt M10x 40 DIN 6912	1
8	017651	Cylinder head screw M8x16 DIN 912	1
9	014810	Hexagon nut M 8 DIN 934 I6I/I8I	1
10	018336	Countersunk screw M10x30 DIN 7991 10.9	1

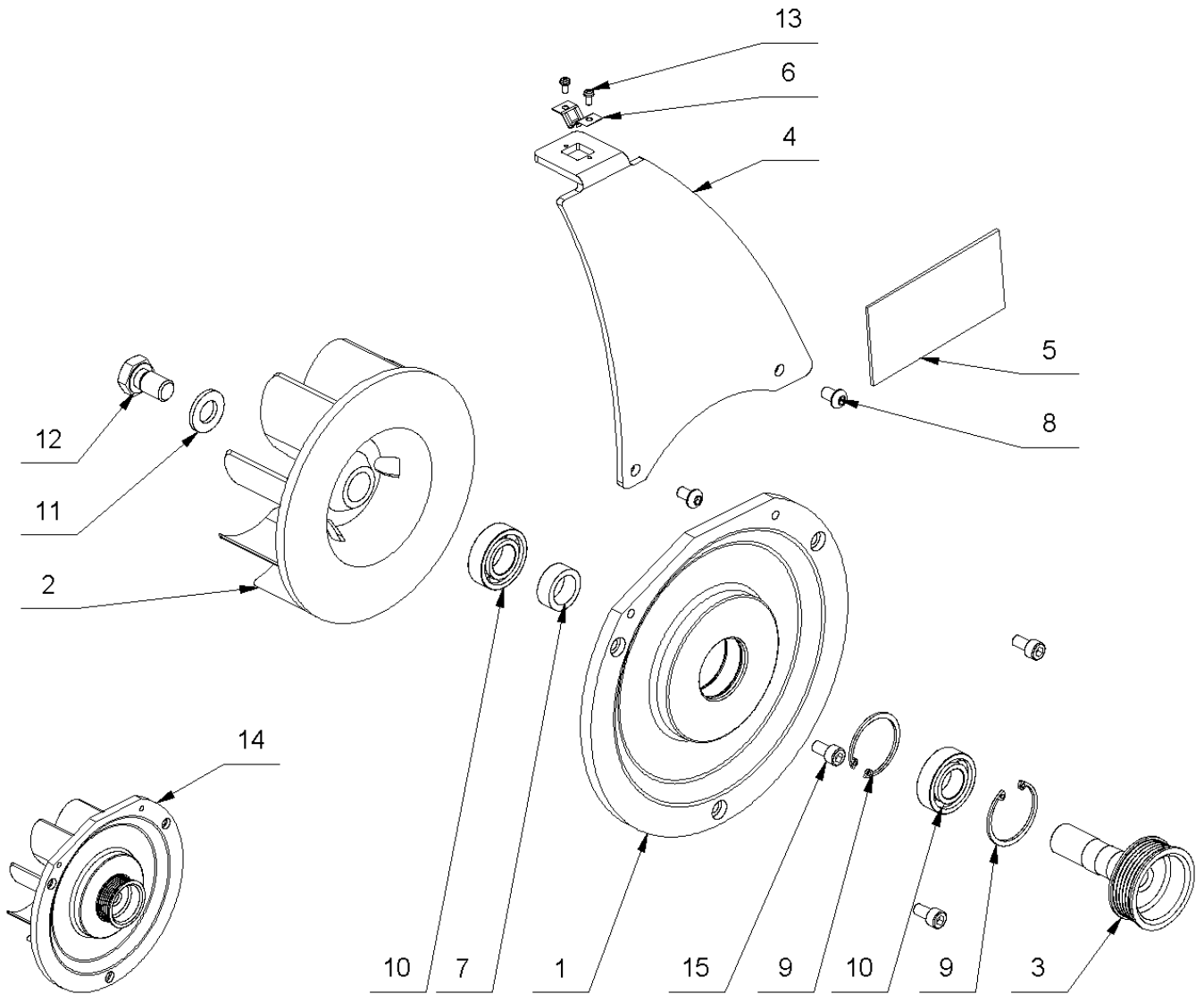
## 7 Sanding drum bearing



## 7 Sanding drum bearing

Item no.	Article no.	Description	Quantity
1	052470	Grinding roller shaft Cobra 09	1
2	013587	Grinding roller for Cobra	1
3	016364	Drum bearing flange Cobra	1
4	052482	Cover Cobra 09	1
5	052466	Belt pulley drum Cobra 09	1
6	016366	Inner drum cover Cobra	1
7	016188	Felt sealing ring Cobra/Viper/Python	1
8	080377	Countersunk screw M5x16 (Torx)	6
9	016365	Cylinder head screw M10x45 DIN 6912	4
10	014857	Safety washer I52 DIN 472	2
11	016361	Nut key 6x6x30 DIN 6885	1
12	016505	Nut key 6x6x16 DIN 6885	1
13	014614	Hexagon nut M24x1,5 DIN936	2
14	018348	Ball bearing 6205 2RS	1
15	016183	Ball bearing Cobra NA49/32 Cobra	1
16	053244	Roller bearing flange cpl.Cobra09/Class.	1

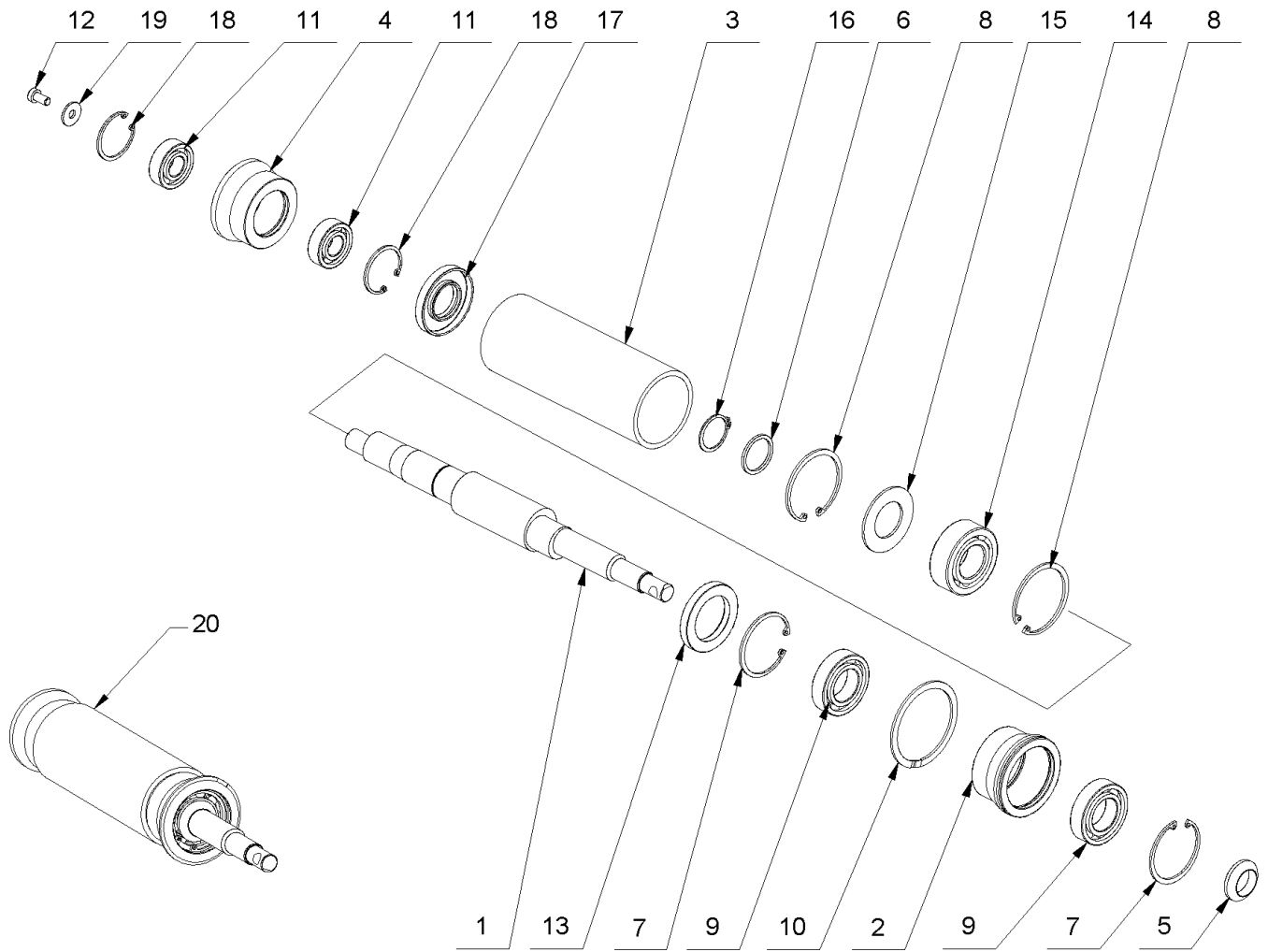
# 8 Fan



## 8 Fan

Item no.	Article no.	Description	Quantity
1	052469	Fan flange Cobra 09	1
2	014599	Fan wheel Cobra	1
3	052467	Belt pulley ventilator Cobra 09	1
4	052480	Belt shroud Cobra 09	1
5	078129	Label tip belt extending CobraClassic	1
6	052163	RAPID-spring shackle	1
7	052491	Distance bushing ventilator Cobra 09	1
8	014799	Lens head screw M6x10	2
9	018091	Circlip I35 DIN472	2
10	018359	Ball bearing 6003 2RS	2
11	014830	Washer M12 DIN 125 A	1
12	017455	Hexagon screw M12x 20 DIN 933	1
13	052626	Self-tapping screw M3x6 DIN 75000	2
14	053243	Fan flange cpl. Cobra 09	1
15	014726	Cylinder head screw M6x12 DIN 912	3

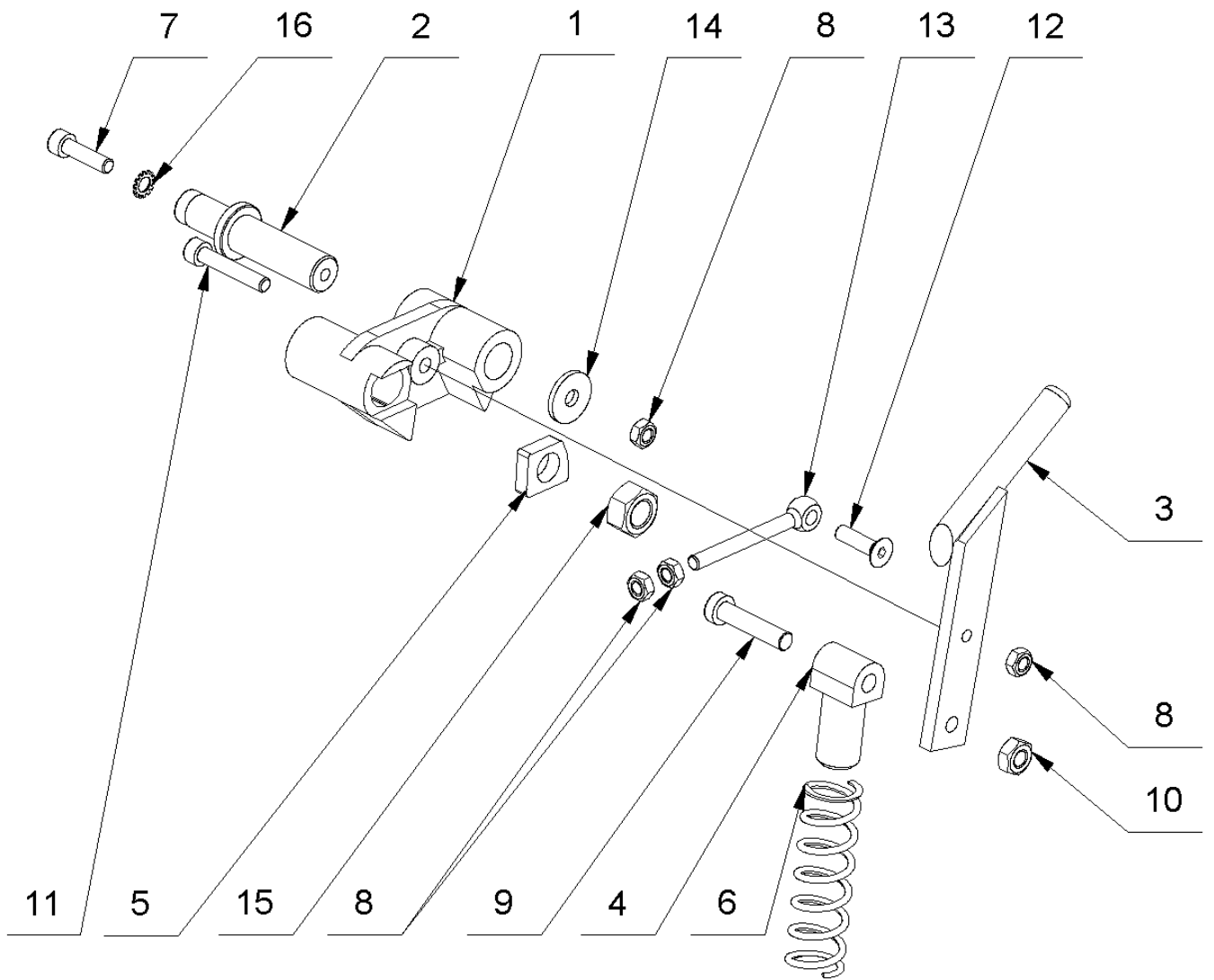
# 9 Tension roller



## 9 Tension roller

Item no.	Article no.	Description	Quantity
1	016189	Tension roller shaft Cobra	1
2	014625	Inner roll Cobra/Viper/Python	1
3	014629	Roller empty Viper / Cobra	1
4	014622	Outside roll Cobra/Viper/Python	1
5	016202	Adjustment ring Cobra/Python	1
6	016360	Washer 25x30x2 DIN 988	1
7	014855	Safety washer I47 DIN 472	2
8	014857	Safety washer I52 DIN 472	2
9	014704	Ball-bearing 6005 2RSH	2
10	166323	Safety washer XDNS 60-X	1
11	018351	Ball bearing 6202 2RS	2
12	055830	Cylinder head screw M6x12 DIN 7984	1
13	014628	Inner packing ring Vip/Cob/Pyth 35-52-10	1
14	016198	Swivel bearing 2205 2RS	1
15	043833	Lock washer DIN 137 - B27	1
16	014852	Safety washer A25 DIN 471	1
17	014634	Shaft seal Vip/Cob/Pyth 25-52-10	1
18	018091	Circlip I35 DIN472	2
19	017724	Washer DIN 9021 6,4x18x1,6	1
20	016845	Tension Roll new complete Cobra	1

# 10 Roller clamo

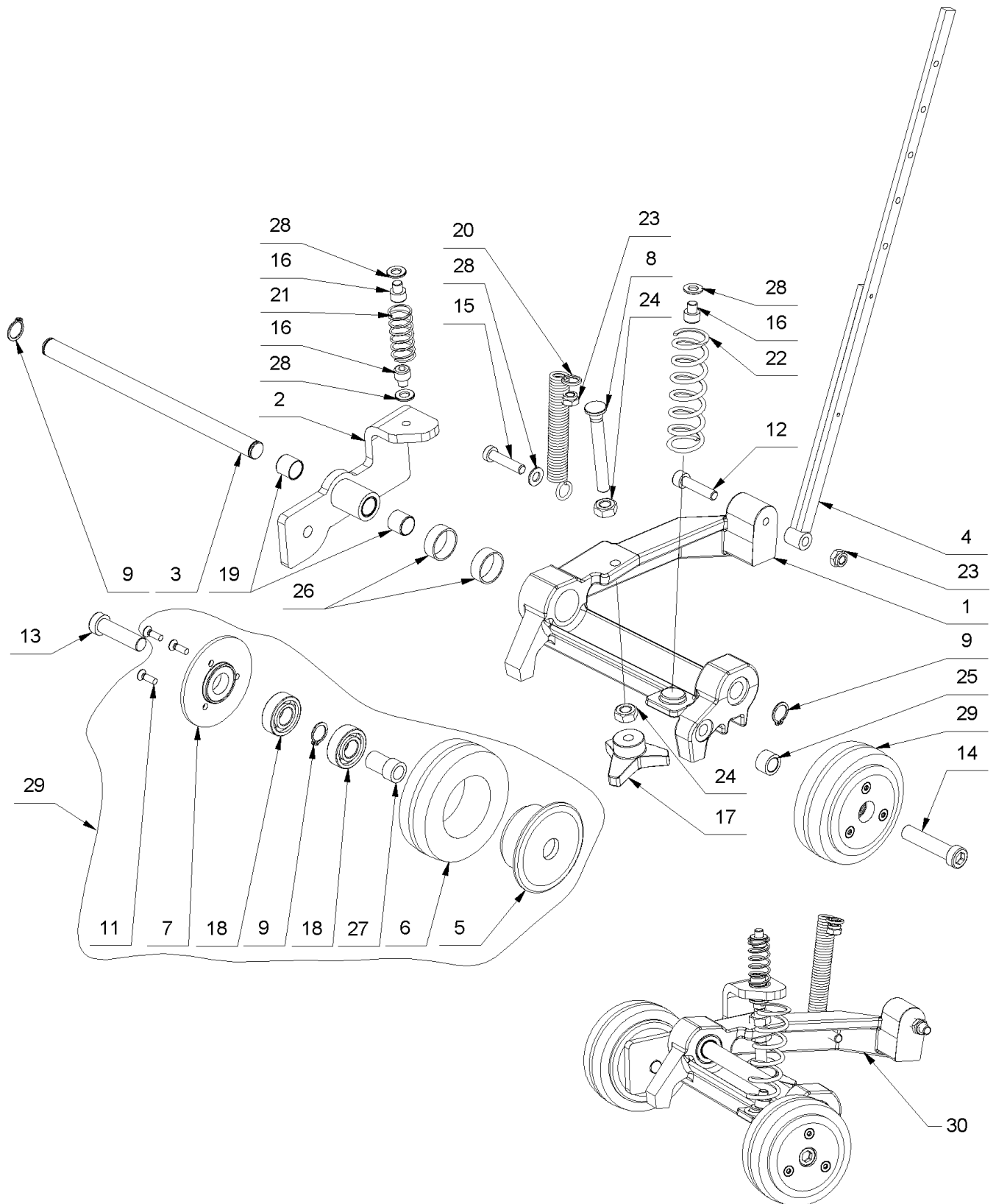




## 10 Roller clamo

Item no.	Article no.	Description	Quantity
1	016338	Tension roller holder Cobra/Python	1
2	016345	Mounting bolt Cobra/Viper/Python	1
3	053223	Clamping Lever Cobra 09	1
4	016492	Pressure piece Cobra/Viper/Python	1
5	016190	Adjusting plate Cobra/Python	1
6	016179	Pressure spring 30x100x3,5	1
7	014736	Cylinder head screw M8x30 DIN 912	1
8	014810	Hexagon nut M 8 DIN 934 I6I/I8I	4
9	016340	Cylinder head screw M10x45 DIN 6912	1
10	014811	Hexagon nut M 10 DIN 934	1
11	016343	Cylinder head screw M10x45 DIN 6912	1
12	017116	Countersunk screw M8x30 10.9 DIN 7991	1
13	016347	Eye screw M8x80 special	1
14	043902	Washer 8,4x30 DIN 522	1
15	014620	Lock nut M16 DIN 934	1
16	016321	Spring washer A 8,4 DIN 6798	1

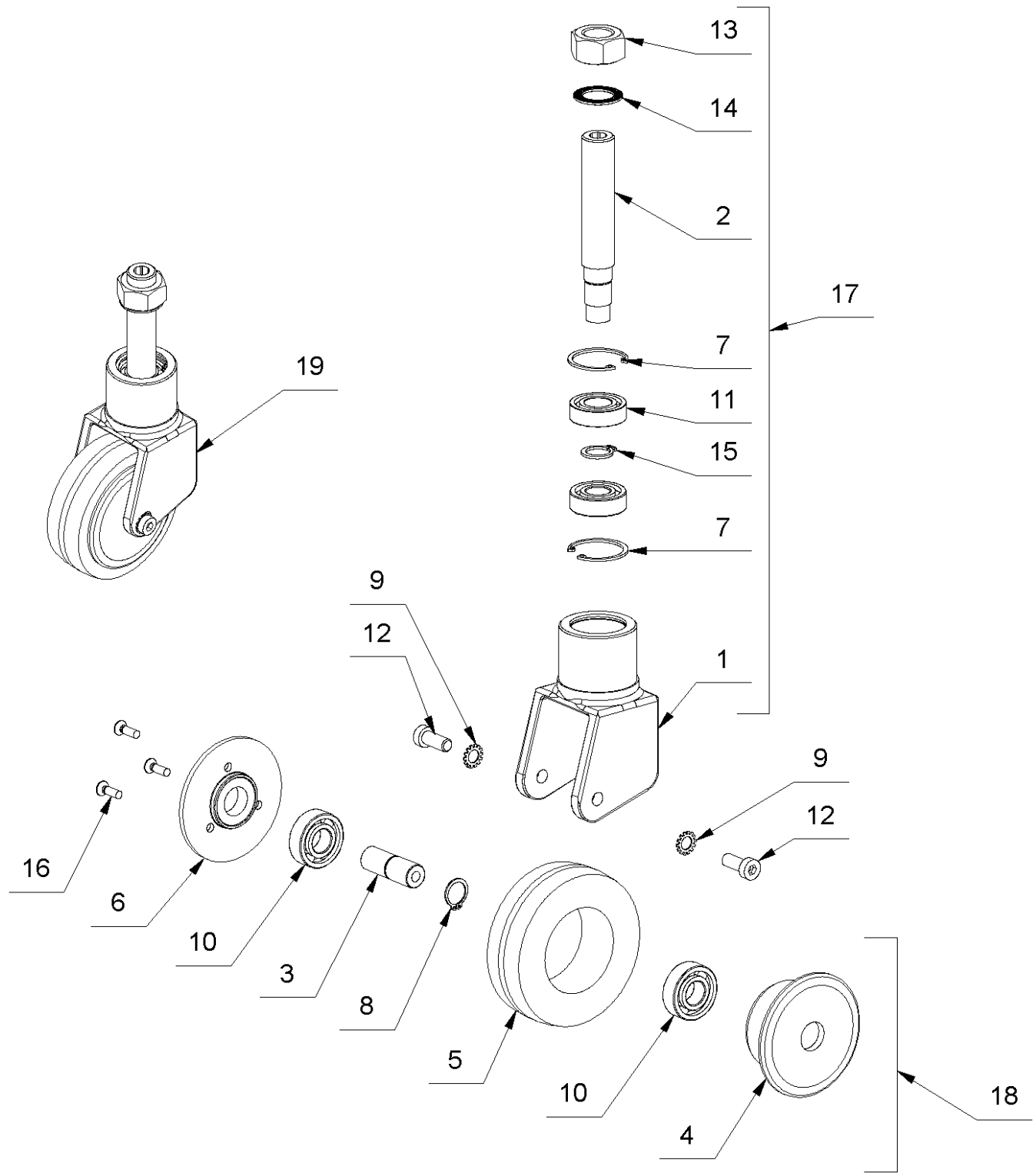
# 11 Carriage



## 11 Carriage

Item no.	Article no.	Description	Quantity
1	052471	Gear lever Cobra 09	1
2	052472	Rocker arm Cobra 09	1
3	052473	Chassis axis Cobra 09	1
4	066294	Tow bar lower part 5fach Cobra 09	1
5	016415	Steering and wheel rim Cobra/Viper/Pytho	1
6	053246	Chassis cpl. Cobra 09	1
7	016416	Wheel cover Cobra/Viper/Python	1
8	053287	Hinged foot Cobra 09	1
9	018101	Safety washer A15 DIN 471	3
11	080377	Countersunk screw M5x16 (Torx)	3
12	014737	Cylinder head screw M8x35 DIN 912	1
13	056142	Cylinder head screw M12x50 DIN 6912	1
14	016554	Cylinder head screw M12x55 DIN 6912	1
15	016430	Cylinder head screw M8x35 DIN 6912	1
16	062130	Cylinder head screw M8x8 DIN 912	3
17	037940	Three-star grip nut D63 x M10	1
18	018351	Ball bearing 6202 2RS	2
19	067685	Friction bearing GSM 1517-15	2
20	068202	Tension spring D 2,5	1
21	059669	Pressure spring VD-212C / 19,80x44x1,60	1
22	016179	Pressure spring 30x100x3,5	1
23	014816	Hexagon nut M8 DIN 985	2
24	014811	Hexagon nut M 10 DIN 934	2
25	016446	Distance bushing 18x12x11 Cobra	1
26	052953	Bushing 2510	2
27	016422	Socket for wheel axle Cobra/Viper/Python	1
28	014828	Washer M8 DIN 125 A	4
29	037082	Wheel compl.Cobra/Viper/Python	1
30	053246	Chassis cpl. Cobra 09	1

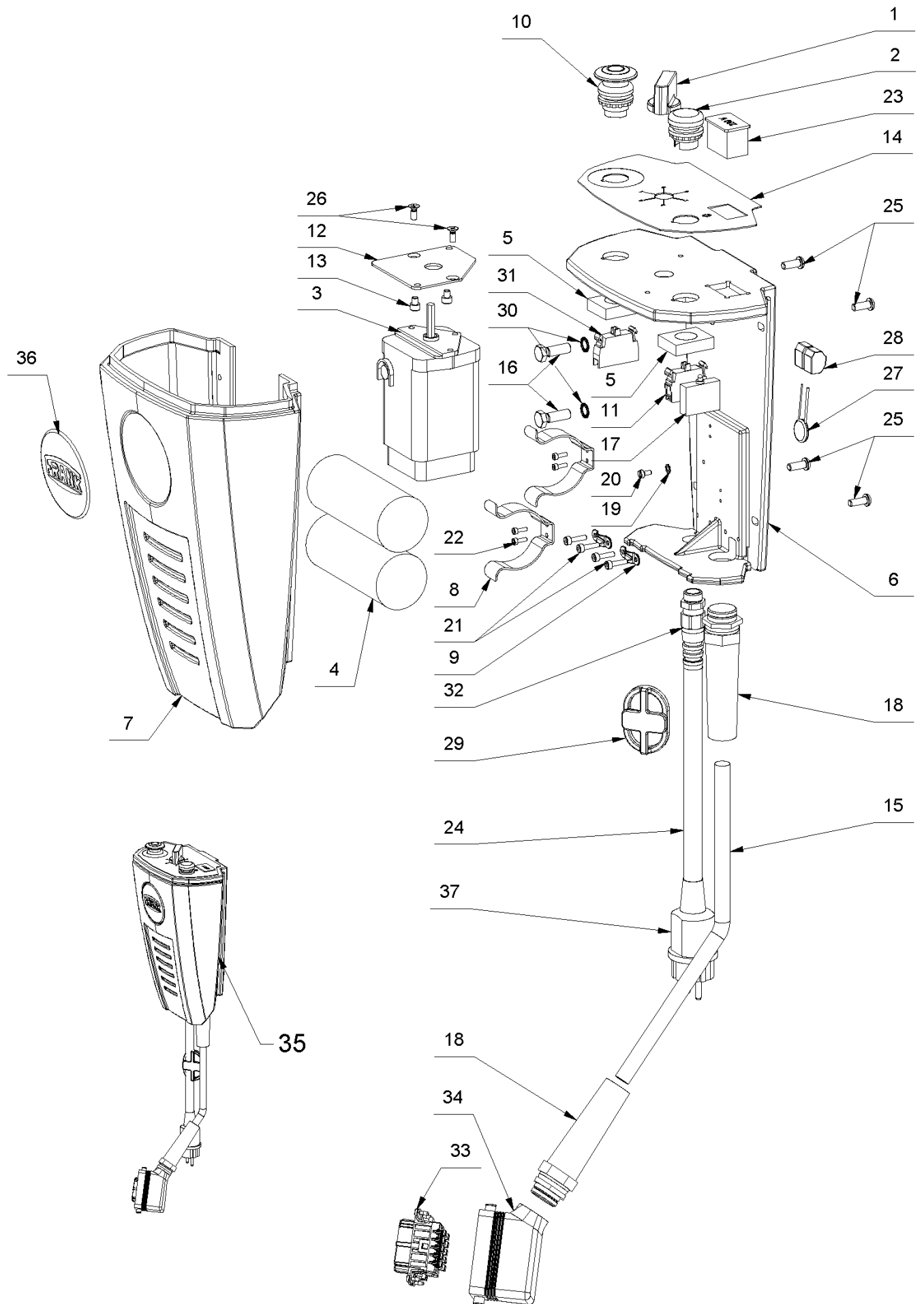
# 12 Caster



## 12 Caster

Item no.	Article no.	Description	Quantity
1	016406	Steering wheel fork Cobra/Viper/Python	1
2	016410	Casting shaft Cobra/Python	1
3	014601	Caster wheel Cobra/Viper/Python	1
4	016415	Steering and wheel rim Cobra/Viper/Pytho	1
5	016171	Vulcolan tyre Cobra/Viper/Python	1
6	016416	Wheel cover Cobra/Viper/Python	1
7	018091	Circlip I35 DIN472	2
8	018101	Safety washer A15 DIN 471	1
9	016321	Spring washer A 8,4 DIN 6798	2
10	018351	Ball bearing 6202 2RS	3
11	018359	Ball bearing 6003 2RS	1
12	016413	Cylinder head screw M6x150 DIN 912	2
13	039981	Hexagon nut M20x1,5 DIN 934	1
14	074979	Washer M20	1
15	014850	Safety washer A17 DIN 471	1
16	016312	Countersunk bolt M5x16 DIN 7991 10.9	3
17	047064	Steering wheel fork without wheel Cobra	1
18	048583	Steering Wheel compl	1
19	016380	Steering wheel with fork cpl.	1

# 13 Cockpit



## 13 Cockpit

Item no.	Article no.	Description	Quantity
1	043875	Switch Knob	1
2	052444	Pushbutton Cobra 09	1
3	043869	Switch NR152678 Cobra	1
4	043843	Start Capacitor 60 µF Ducati	2
5	017503	Adapterattachment	2
6	052368	Support cast Cockpit Cobra 09	1
7	052373	Cover Cockpit Cobra 09	1
8	052434	Spring clamps Cobra 09	2
9	015211	Cable clamp Motor Duro 2.0	2
10	052443	Safety switch	1
11	017505	Contact element shut NO	1
12	053073	Adapting plate f.switch Cobra 09	1
13	018276	Cylinder head screw M5x6 DIN 912	2
14	052586	Slide display Cobra 09	1
15	053025	Control line Cobra 09	1
16	014775	Hexagon bolt M 8x25 DIN 933	2
17	038638	LED for signal lamp	1
18	053004	Screw connection w.bending prot. M25x1,5	2
19	017663	Tooth lock washer 4.3 Form A DIN 6797	1
20	017473	Cylinder head screw M4x8 DIN 84 brass	1
21	017743	Cylinder head screw M4x16 DIN 912	4
22	014715	Cylinder head screw M3x10 DIN 912	4
23	078604	Digital meter with large clip Cobra09	1
24	053026	El.cord 3G2,5x0,4m grey w.plug	1
25	017552	Lens head screw M 6x16 ISO 7380	4
26		Countersunk screw M5x12 includes in delivery of Pos. 3	2
27	056885	Varistor Cobra 09	1
28	050146	Connecting terminal 2-fold	2
29	067749	cable retention	1
30	014860	Schnorr Washer M8	2
31	017507	Contact element open NC	1
32	038585	Strain relief w.bending prot.M16x1,5	1
33	053511	Bush insert 10E polig	1
34	078858	Housing for shackle	1

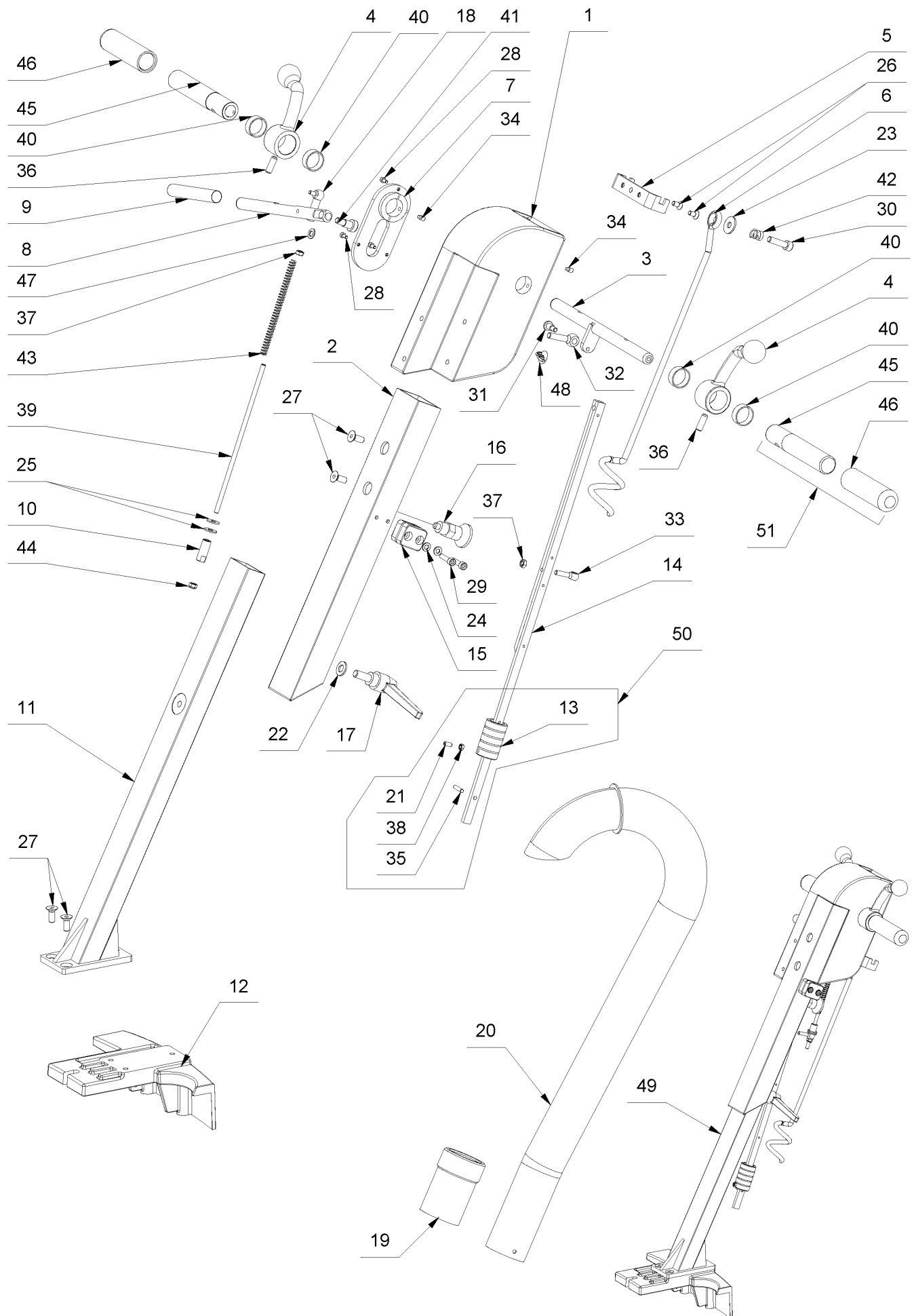
## 13 Cockpit

---

Item no.	Article no.	Description	Quantity
35	053251	Cockpit cpl. 230V/50Hz Cobra 09	1
36	137491	Label Frank 3D Ø80mm	1
37	019170	Plug 3-pol.230V SK1 UK	1



# 14 Handle



## 14 Handle

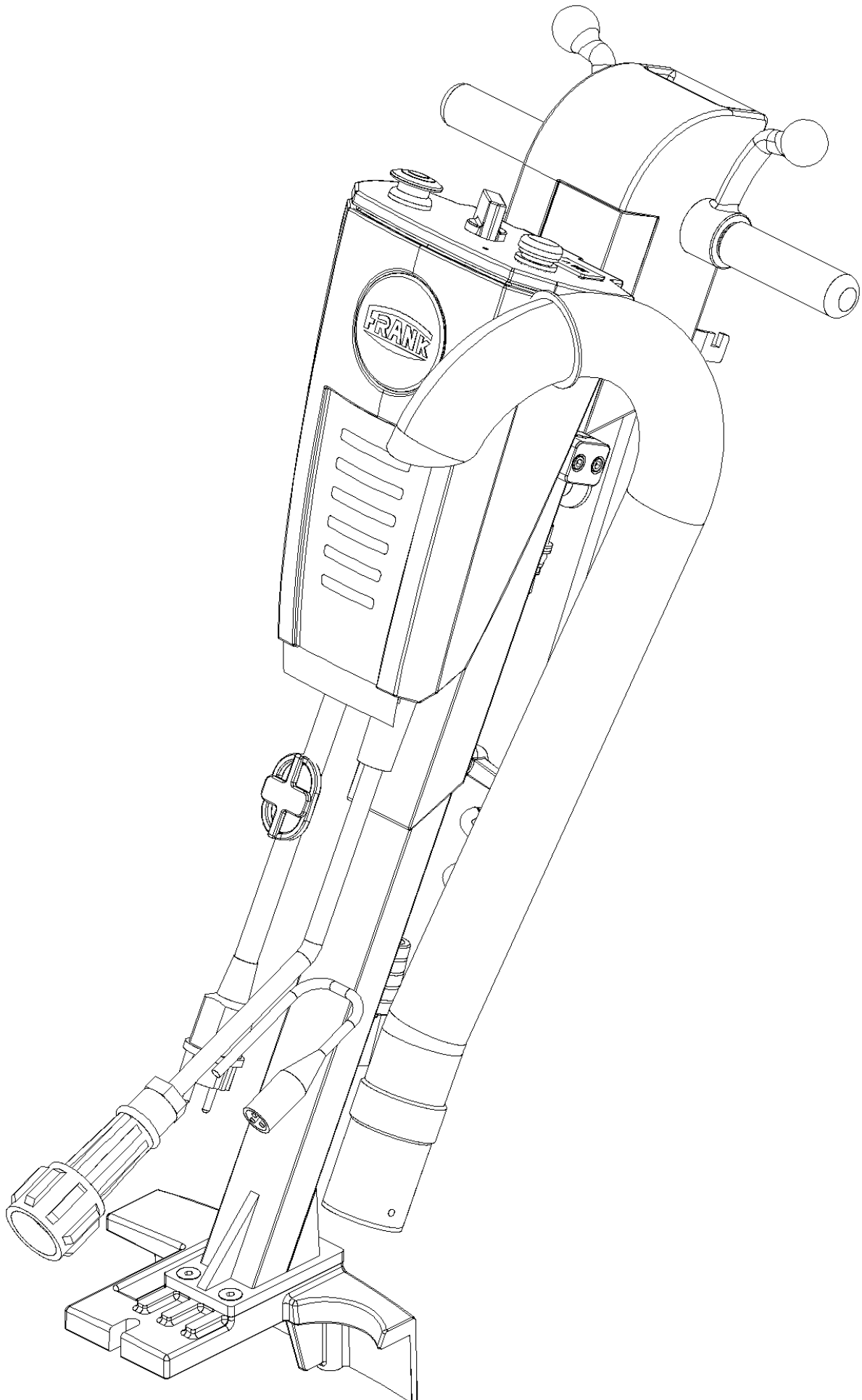
Item no.	Article no.	Description	Quantity
1	052375	Cover grip Cockpit Cobra 09	1
2	052611	Outside tubeCobra 09	1
3	052629	Shaft f. lowering device Cobra 09	1
4	052538	Lever to operate Cobra 09	2
5	016521	Cable support Cobra/Viper/Python	1
6	014548	Cable arm long Viper	1
7	052486	Bearing cover Cobra 09	1
8	052485	Lever Cobra 09	1
9	082068	PVC-hand grip Wega black	1
10	054529	Adjustment nut Cobra 09	1
11	066293	SG Inside tube5fach Cobra 09	1
12	052390	Handle bracket Cobra 09	1
13	053105	Box tow bar Cobra 09	1
14	055870	Tow bar upper part soft cpl. Cobra 09	1
15	079023	Camp f.key SW 6	1
16	037953	Fixing pin	1
17	037952	Clamping lever GN300-92-M10-32 SW	1
18	016632	Angle joint Cobra/Viper/Python	1
19	062045	Suction nozzle Dust / Cobra09	1
20	052684	Dust pipe Staubrohr Cobra 09	1
21	053418	Elastic pressure pieceM6 M5 NLM 0300-0	1
22	014829	Washer M10 DIN 125 A	1
23	018737	Washer 8,4x24x2 DIN 9021 galv.	1
24	014827	Washer M6 DIN 125 A	2
25	017724	Washer DIN 9021 6,4x18x1,6	2
26	014755	Countersunk screw M6x12 DIN 7991 10.9	2
27	014760	Countersunk screw M8x20 DIN 7991 10.9	5
28	018280	Cylinder head screw M4x8 DIN 912	3
29	014731	Cylinder head screw M6x25 DIN 912	2
30	014736	Cylinder head screw M8x30 DIN 912	1
31	052489	Flat head screw hardened Cobra 09	1
32	047216	Eye screw M8x40 DIN 444	1
33	074815	Ring screw M6x30	1
34	014792	Headless pin M6x10 DIN 915	2

## 14 Handle

Item no.	Article no.	Description	Quantity
35	018135	Cylindrical pin 5x 20 DIN 7	1
36	053824	cylindrical pin 8x 24 DIN 7979	2
37	014809	Hexagon nut M6 DIN 934	2
38	017773	Hexagon nut M5 DIN 934	1
39	054528	Control rod Cobra 09	1
40	052953	Bushing 2510	4
41	052936	Screw M8x12 DIN 7379	1
42	043827	Pressure spring 13x20x1,5	1
43	016638	Pressure spring 9x167x1,2	1
44	014815	Hexagon nut M6 DIN985	1
45	081779	Grip for coating Cobra 09	2
46	047310	Grip covering Magura	2
47	017656	Shim ring 8x14x1 DIN 988	1
48	072687	Stopper 12,7-14,3 mm black	1
49	053248	Handle cpl. Cobra 09	1
50	053419	Sliding collar Cobra 09	1
51	081808	Grip with coating Cobra 09	1

## 15 Handle compl.

---

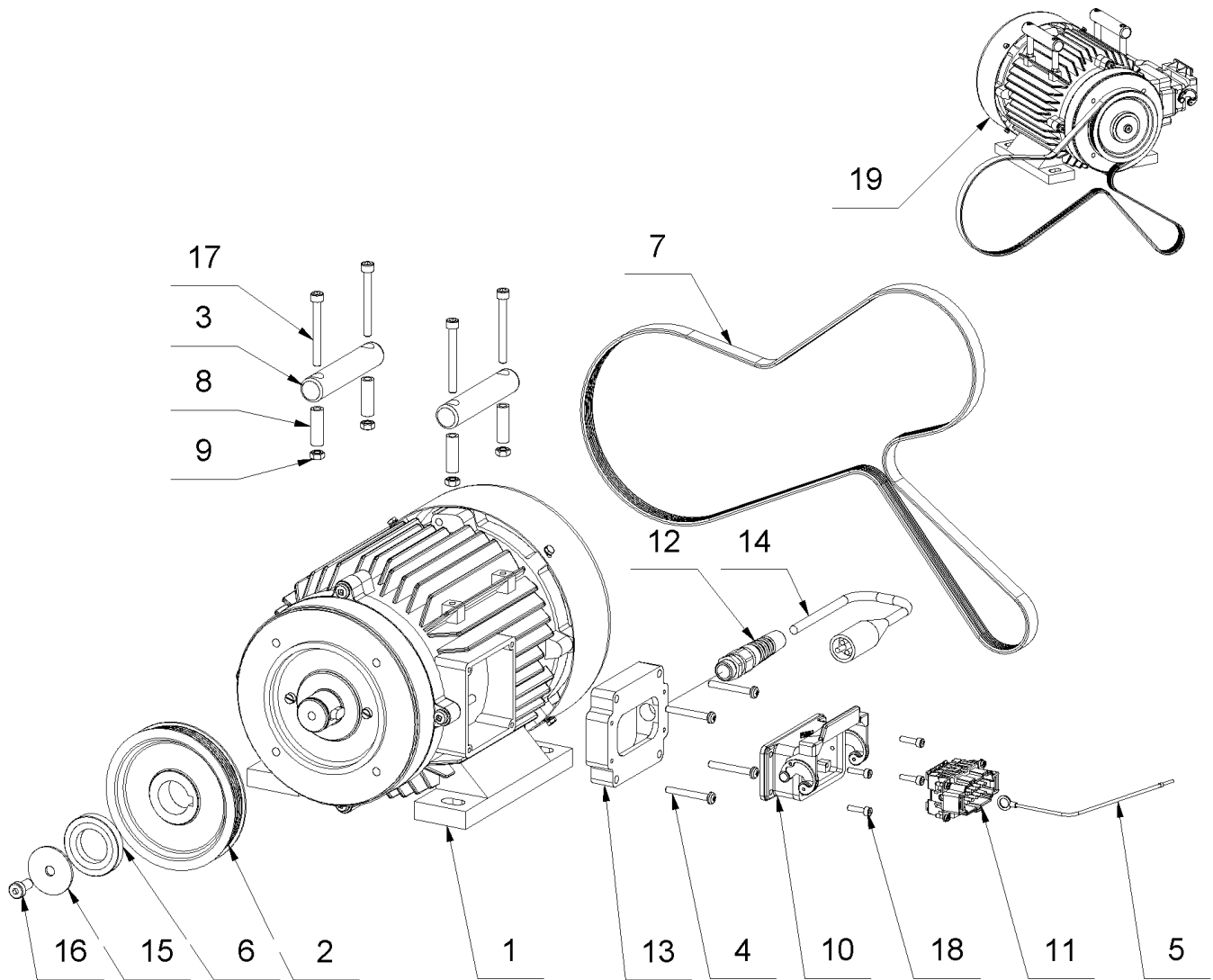


## 15 Handle compl.

---

Item no.	Article no.	Description	Quantity
1	079329	Handle w.cockpit cpl.Cobra09FRANK 07/15	1
2	079328	Handle with cockpit cpl.Cobra09 CH 07/15	1

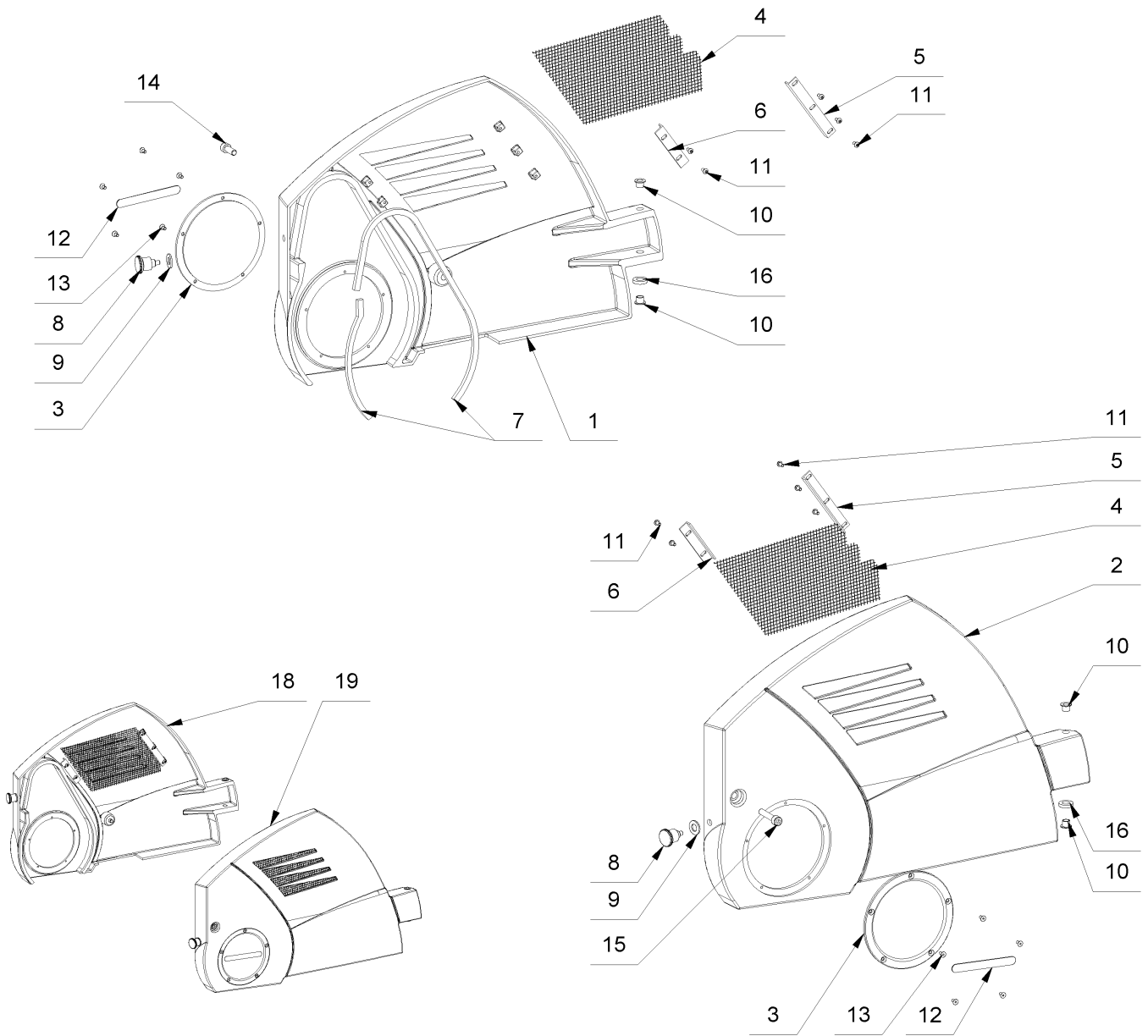
# 16 Motor



## 16 Motor

Item no.	Article no.	Description	Quantity
1	052419	Motor 2,5kW/50Hz/230V Cobra 09	1
1	053814	Motor 3,2kW 240V/50Hz Cobra 09 AUS	1
2	052462	Belt pulley motor Cobra 09	1
3	074727	Handle Motor Part2 Frank Cobra 09	2
4	052624	Screw self-tapping M5x40 DIN 7500	4
4	079113	Screw self-tapping M5x30 DIN 7500	4
5	053485	Cable set Motor Cobra 09	1
6	074425	Ring Motor pulley FrankCobra09	1
7	074585	Poly V Belt 6PJ 1285 Cobra 09	1
8	074497	Distance ring d10x6x30	4
9	014809	Hexagon nut M6 DIN 934	4
10	078857	Housing with bracket	1
11	053812	Pin employment 10 polig	1
12	038585	Strain relief w.bending prot.M16x1,5	1
13	078856	Adapter Motor terminal housing Cobra 09	1
14	052583	Jack Cobra 09	1
15	043903	Washer 8,4x40x1,5 DIN 522	1
16	043918	Cylinder head screw M8x16 DIN 7984	1
17	018261	Cylinder head screw M6x55 DIN 912	4
18	017743	Cylinder head screw M4x16 DIN 912	4
19	053250	Motor cpl.2,5kW/230V/50Hz Cobra 09	1
19	054721	Motor cpl.3,2kW/240V/50Hz Cobra 09 AUS	1
19	079291	Motor cpl.2,5kW/230VCobra09starting07/15	1

# 17 Cover

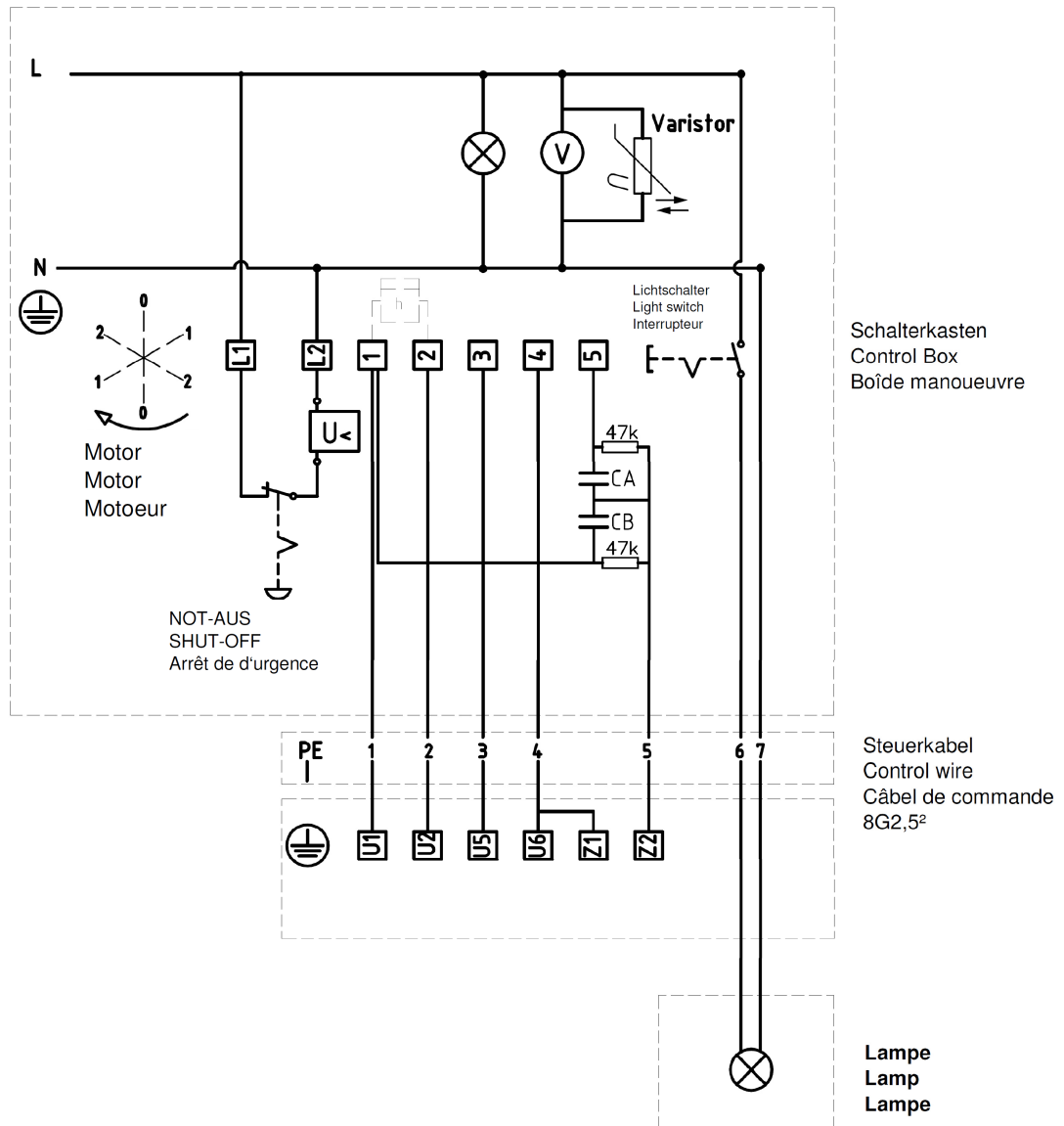




## 17 Cover

Item no.	Article no.	Description	Quantity
1	052361	Cylinder door right Cobra 09	1
2	052364	Belt door left Cobra 09	1
3	052595	Door panel Cobra 09	2
4	060283	WirefenceCobra 09 Pallmann	2
5	053460	Bracket 111mm Cobra 09	2
6	053459	Bracket 72mm Cobra 09	2
7	056533	Sealing set cover right 51/19cm	2
8	052440	Arresting bolt	2
9	014829	Washer M10 DIN 125 A	2
10	052490	Bushing BB 08085	4
11	056488	Lens head screw M4x 8	10
12	129933	Label Frank tec inside orangeCobra09	1
13	018324	Countersunk screw M4x8 DIN 7991 10.9	10
14	014734	Cylinder head screw M8x20 DIN 912	1
15	014738	Cylinder head screw M 8x40 DIN 912	1
16	053482	Plastic spacer 10,5x20x4 black	2
18	060275	Door on the right cpl. Cobra 09 Pallmann	1
19	060277	Door on the left cpl. Cobra 09 Pallmann	1

# 18 Circuit diagram



## 18 Circuit diagram

---

## 19 Tool kit #060281

Article no.	Description	Quantity
016842	Open-ended wrench SW10	1
016799	Open-end wrench SW13	1
017601	Open-end wrench SW17	1
016800	Open-end wrench SW19	1
018635	Open-end wrench SW24	1
043826	Double open-end wrench SW30/36	1
017027	Hexagonal screw key SW4 DIN 911	1
014956	Hexagonal screw key SW5 DIN 911	1
014957	Hexagonal screw key SW6 DIN 911	1
014959	Hexagonal screw key SW8 DIN 911	1
018641	Hexagonal screw key SW10 DIN 911	1
060253	Tool bag orange	1
016813	Multi clip URS/Gecko/Cobra/Viper	1

## 20 Accessories

Article no.	Description	Quantity
012624	CORUNDUM SANDING BELT 200 X 750 MM K 36	1
012627	CORUNDUM SANDING BELT 200 X 750 MM K 60	1
012629	CORUNDUM SANDING BELT 200 X 750 MM K 100	1
060282	extension cord3G2,5x12,5 orange/Pallmann	1
060602	Extension cord 3G2,5x12 Schuko AUS 15A	1
062062	Ext.cord 3G2,5x12,5orangeUK230V/Pallm	1
015315	Hearing protectors	1
016732	Fine dust mask Gecko/URS/Cobra	1
052441	DUST BAG BAG IN BAG COBRA 09 PALLMANN	1
071729	DUST BAG STANDARD COBRA 09 PALLMANN	1
052442	SINGLE USE DUST BAG COBRA 09	1
062045	Suction nozzle Dust / Cobra09	1
074585	Poly V Belt 6PJ 1285 Cobra 09	1
048681	Wheel adjustment aid compl. Viper/Cobra	1
053131	Halogen lamp cpl.230V Cobra 09	1
064310	SANDER BASE COBRA 09	1