



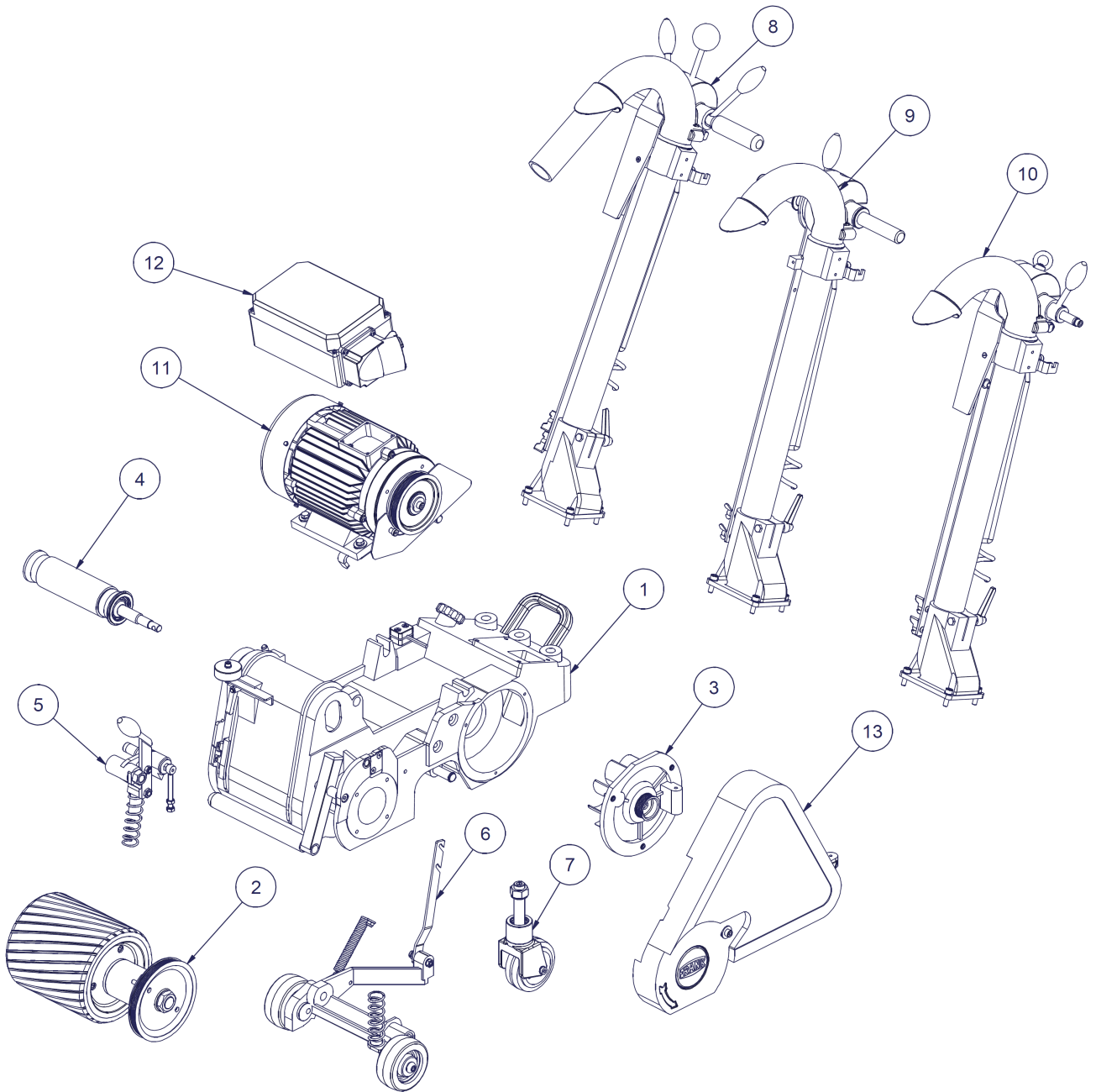
spare parts list Frank Cobra C



Table of contents

1 Frank Cobra C (06/2007 - today)	3
1 Base support	5
2 Sanding drum bearing	7
3 Fan flange, compl.	9
4 Tension roller	11
5 Roller clamo	13
6 Carriage	15
7 Caster	17
8 Lenkung FH2HD 595	19
9 Lenkung 576	22
10 Lenkung FH 575	24
11 Motor 2,5 kW	27
11 Motor 3,2 kW	29
11 Motor 4 kW	31
12 Switch box 2,5 kW	33
12 Switch box 3,2 kW	35
12 Switch box 4 kW	37
13 Belt protection hood	39
14 Ciriut diagram 2,5 / 3,2kW	41
15 Ciriut diagram 4,0kW	43
16 Tool kit #060281	45
17 Accessories	46

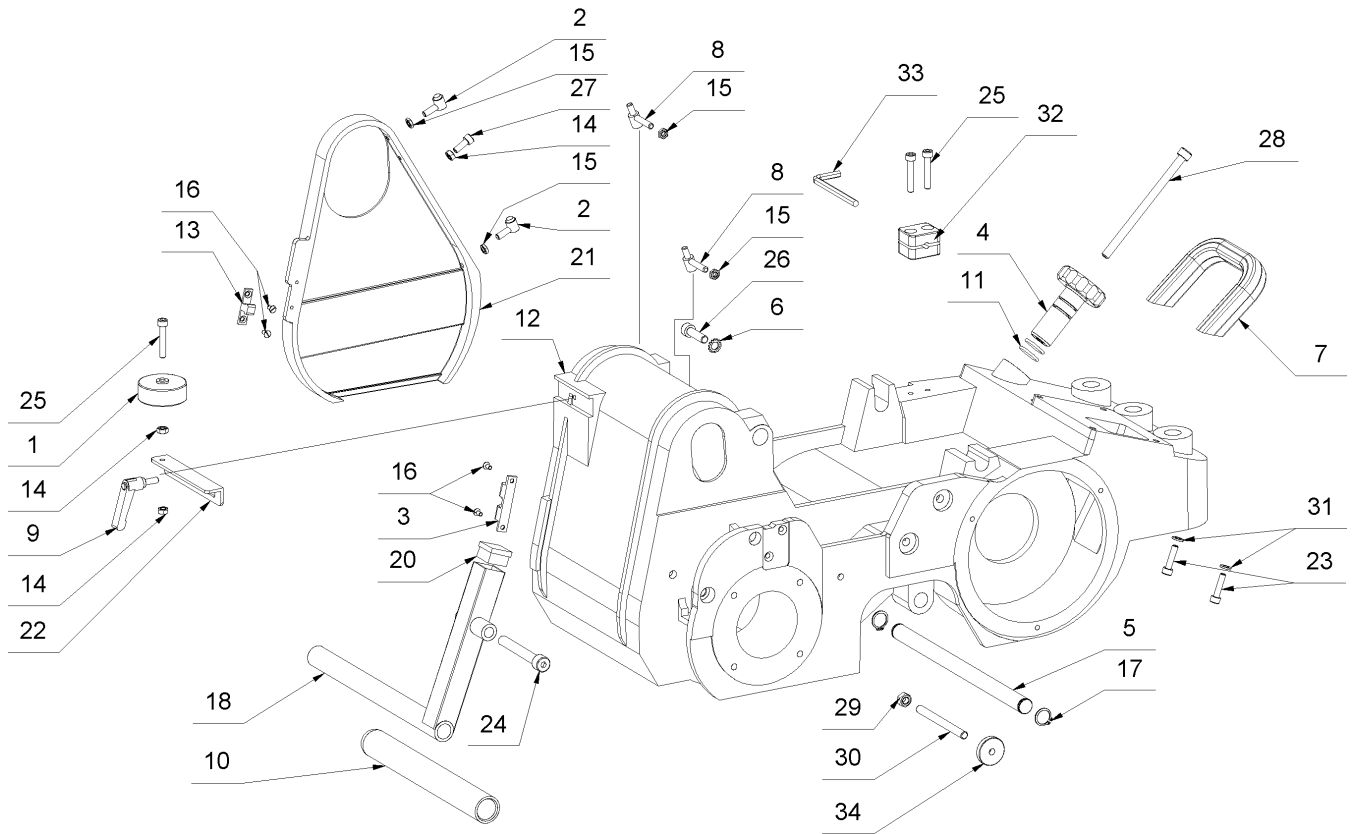
1 Frank Cobra C (06/2007 - today)



1 Frank Cobra C (06/2007 - today)

Item no.	Article no.	Description
1	01_01_013316	Base support
2	01_04_013316	Sanding drum bearing
3	01_05_048034	Fan flange, compl.
4	01_09_016845	Tension roller
5	01_07_048500	Roller clamo
6	01_08_013316	Carriage
7	01_12_016380	Caster
8	01_08_048625	Lenkung FH2HD 595
9	01_08_048623	Lenkung 576
10	01_08_048624	Lenkung FH 575
11	01_10_013316	Motor 4 kW
11	01_10_013316	Motor 2,5 kW
11	01_10_013316	Motor 3,2 kW
12	01_10_048680	Switch box 2,5 kW
12	01_13_077687	Switch box 3,2 kW
12	01_13_081685	Switch box 4 kW
13	01_14_013316	Belt protection hood
14	01_15_074540	Circuit diagram 2,5 / 3,2kW
15	01_15_078084	Circuit diagram 4,0kW
16	01_19_060281	Tool kit #060281
17	01_17_078251	Accessories

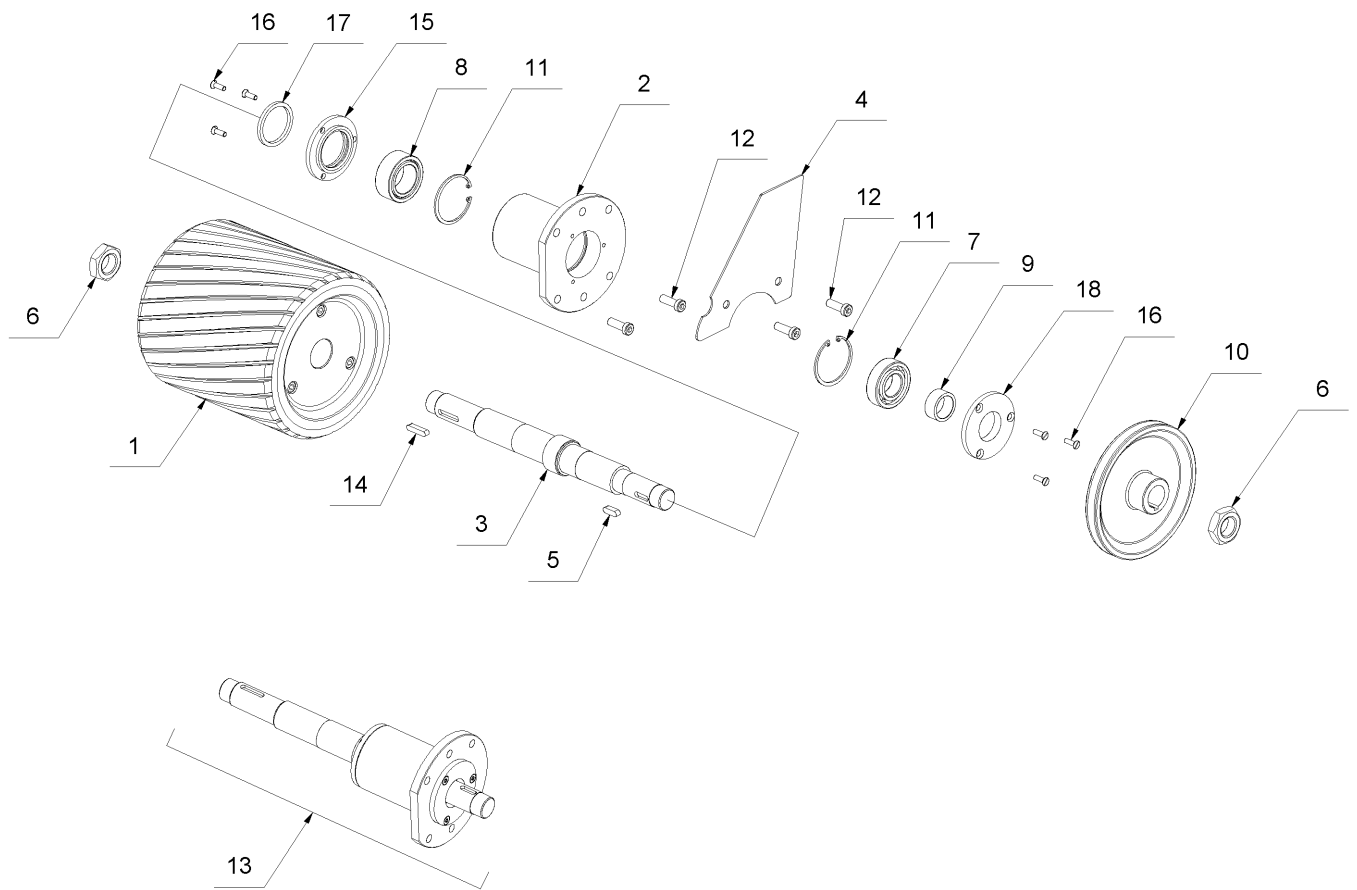
1 Base support



1 Base support

Item no.	Article no.	Description	Quantity
1	016177	Start-up wheel 2" Cobra/Viper/Python	1
2	016332	Cover hinge Cobra with nut	2
3	016328	Cover lock Cobra/Viper/Python	1
4	016327	Regular screw Cobra/ Python	1
5	016426	Chassis axle Cobra	1
6	016321	Spring washer A 8,4 DIN 6798	1
7	048585	Carrying bar behind Cobra/Python	1
8	016334	Hood-hinge with nut Cobra/Python	2
9	047212	Clamping lever M6x16	1
10	016440	PVC grip covering Cobra SEE 88644	1
11	043852	Flag ring red	2
12	074496	Machine chassis CobraClassic	1
13	016384	274/6.02 Lock notch Cobra/Viper/Python	1
14	014809	Hexagon nut M6 DIN 934	3
15	018666	Hexagon nut M6 DIN 936	4
16	018323	Countersunk screw M4x8 DIN 963	4
17	043891	Circlip A16 DIN 471	2
18	016439	Carrying strap Cobra	1
19	016442	Closing stopper Cobra/Python	1
20	019118	Stopper 25x25 x 11,5 black	1
21	016176	Rolling protection Cobra	1
22	016336	Slotted hole iron Cobra/Viper/Python	1
23	014731	Cylinder head screw M6x25 DIN 912	2
24	016441	Cylinder head screw M10x75 DIN 912	1
25	018264	Cylinder head screw M 6x35 DIN 912	3
26	014736	Cylinder head screw M8x30 DIN 912	1
27	014729	Cylinder head screw M 6x16 DIN 912	1
28	016432	Cylinder head screw M8x35 DIN 6912	1
29	014810	Hexagon nut M 8 DIN 934 I6I/I8I	1
30	016330	Stud bolt M 8x85 DIN 938 Sonder	1
31	014827	Washer M6 DIN 125 A	1
32	079023	Camp f.key SW 6	1
33	014957	Hexagonal screw key SW6 DIN 911	2
34	018655	Thumb nut M 8 DIN 467	1

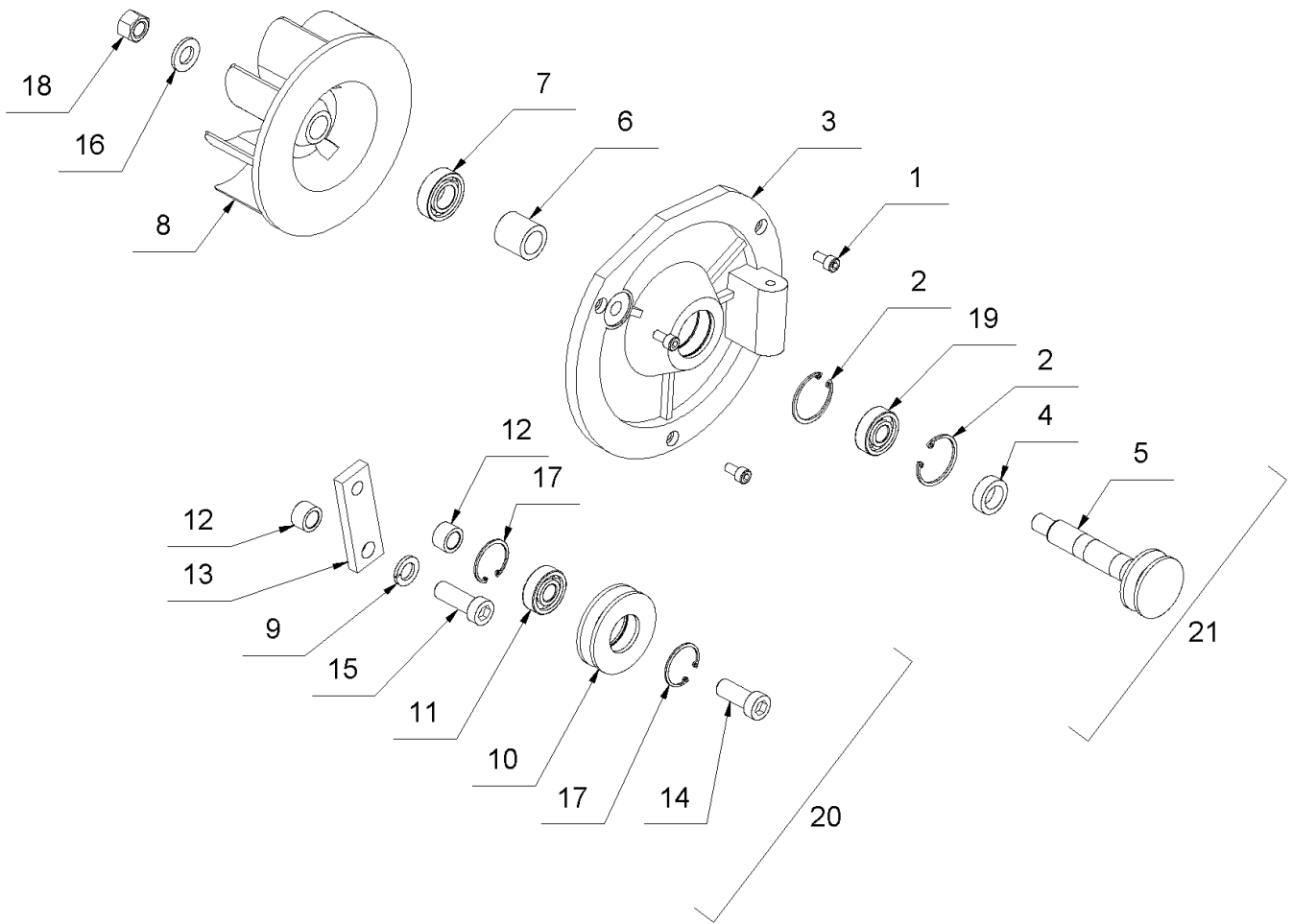
2 Sanding drum bearing



2 Sanding drum bearing

Item no.	Article no.	Description	Quantity
1	013587	Grinding roller for Cobra	1
2	016364	Drum bearing flange Cobra	1
3	016181	Drum shaft Cobra	1
4	016458	374/98.03 Shield Cobra	1
5	016362	Nut key 6x6x20 DIN 6885	1
6	014614	Hexagon nut M24x1,5 DIN936	2
7	018348	Ball bearing 6205 2RS	1
8	016183	Ball bearing Cobra NA49/32 Cobra	1
9	016184	374/22Bushing Cobra	1
10	016185	Drum pulley Cobra	1
11	014857	Safety washer I52 DIN 472	2
12	016365	Cylinder head screw M10x45 DIN 6912	4
13	048045	Roller bearing flange cpl. Cobra	1
14	016361	Nut key 6x6x30 DIN 6885	1
15	016366	Inner drum cover Cobra	1
16	016701	ZZZCountersunk screw see 16312	6
17	016188	Felt sealing ring Cobra/Viper/Python	1
18	016368	Outer drum cover Cobra	1

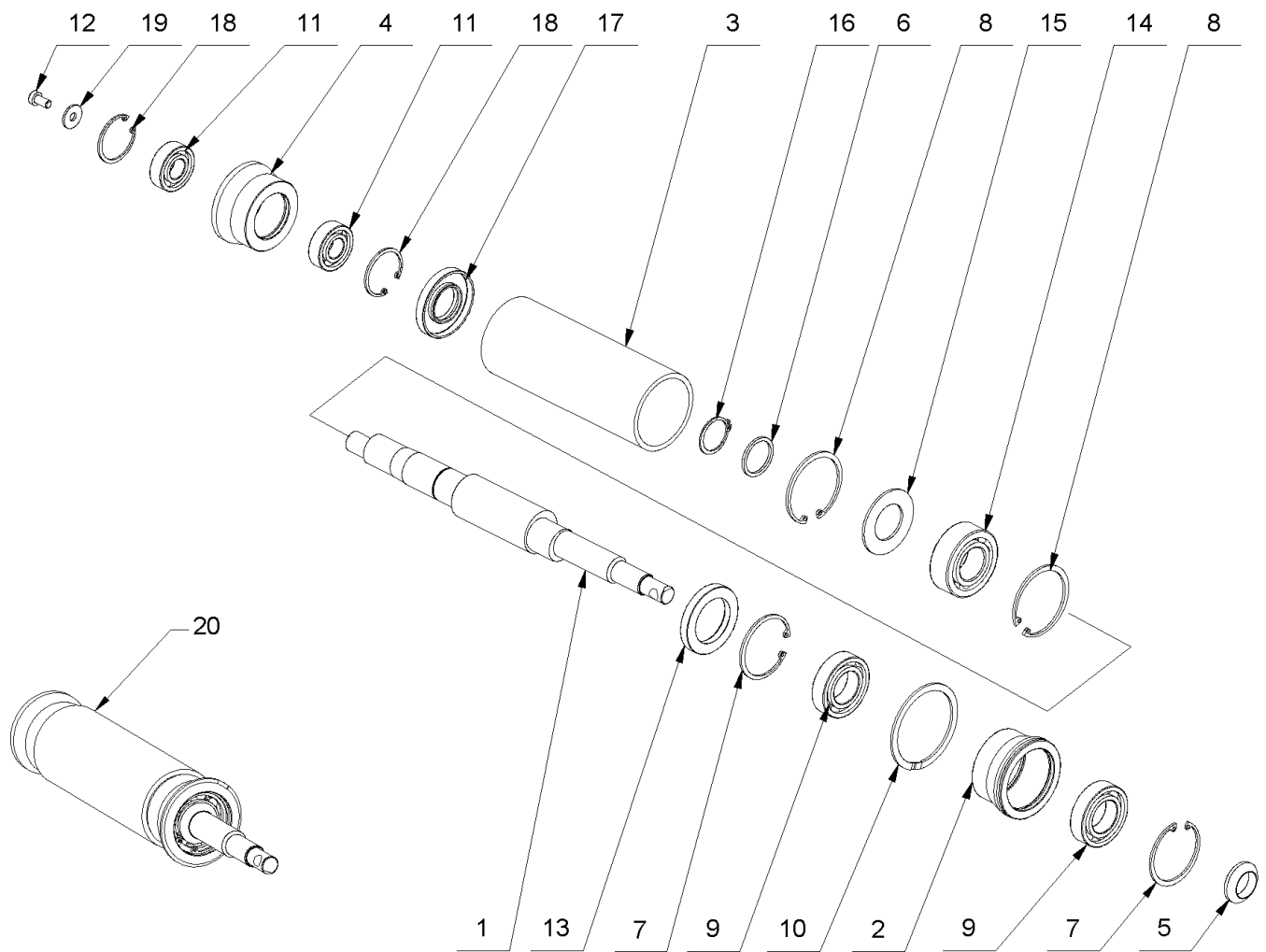
3 Fan flange, compl.



3 Fan flange, compl.

Item no.	Article no.	Description	Quantity
1	014726	Cylinder head screw M6x12 DIN 912	3
2	018091	Circlip I35 DIN472	2
3	016369	Fan flange Cobra	1
4	016372	Spacer Cobra	1
5	014597	Arbre ventilateur Cobra	1
6	016374	Spacer Cobra	1
7	018359	Ball bearing 6003 2RS	1
8	014599	Fan wheel Cobra	1
9	016424	Spring washer 12 DIN 127	1
10	016443	Idler ring Cobra	1
11	018352	ball bearing 6201 2RS-C3 Gecko/Cobra	1
12	016446	Distance bushing 18x12x11 Cobra	2
13	016447	Holder for idler Cobra	1
14	016448	Cylinder head screw M12x30 DIN 6912	1
15	016449	Cylinder head screw M12x30 DIN 6912	1
16	014830	Washer M12 DIN 125 A	1
17	053318	Circlip I30 DIN 472	2
18	018663	Hexagon nut M12 DIN 934	1
19	018352	ball bearing 6201 2RS-C3 Gecko/Cobra	1
20	048691	Tensioner compl.	1
21	048032	Ventilator flange cpl. Cobra	1

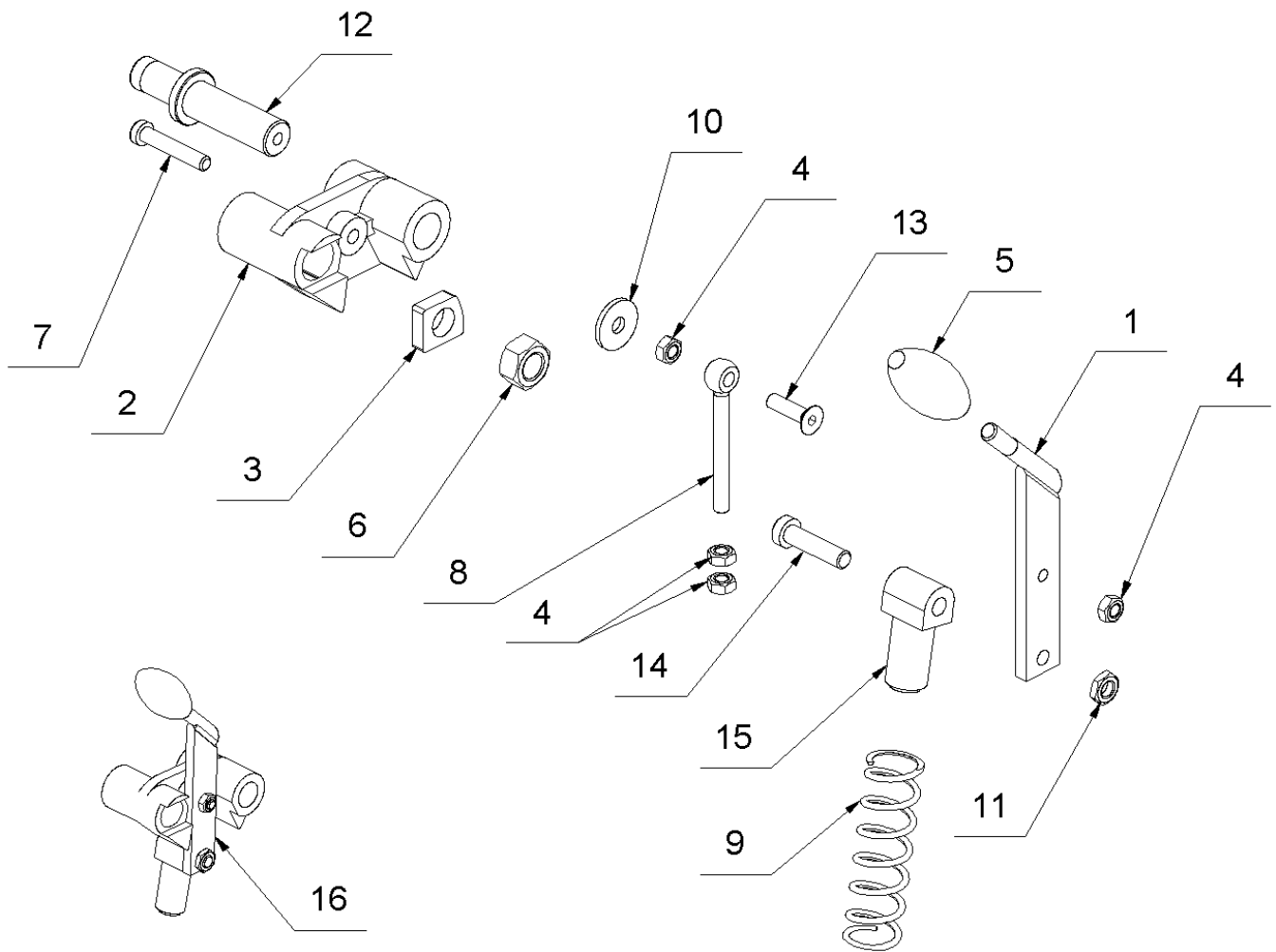
4 Tension roller



4 Tension roller

Item no.	Article no.	Description	Quantity
1	016189	Tension roller shaft Cobra	1
2	014625	Inner roll Cobra/Viper/Python	1
3	014629	Roller empty Viper / Cobra	1
4	016193	374/15.04 External roller Cobra SEE14622	1
5	016202	Adjustment ring Cobra/Python	1
6	016360	Washer 25x30x2 DIN 988	1
7	014855	Safety washer I47 DIN 472	2
8	014857	Safety washer I52 DIN 472	2
9	014704	Ball-bearing 6005 2RSH	2
10	166323	Safety washer XDNS 60-X	1
11	018351	Ball bearing 6202 2RS	2
12	055830	Cylinder head screw M6x12 DIN 7984	1
13	014628	Inner packing ring Vip/Cob/Pyth 35-52-10	1
14	016198	Swivel bearing 2205 2RS	1
15	043833	Lock washer DIN 137 - B27	1
16	014852	Safety washer A25 DIN 471	1
17	014634	Shaft seal Vip/Cob/Pyth 25-52-10	1
18	018091	Circlip I35 DIN472	2
19	017724	Washer DIN 9021 6,4x18x1,6	1
20	016845	Tension Roll new complete Cobra	1

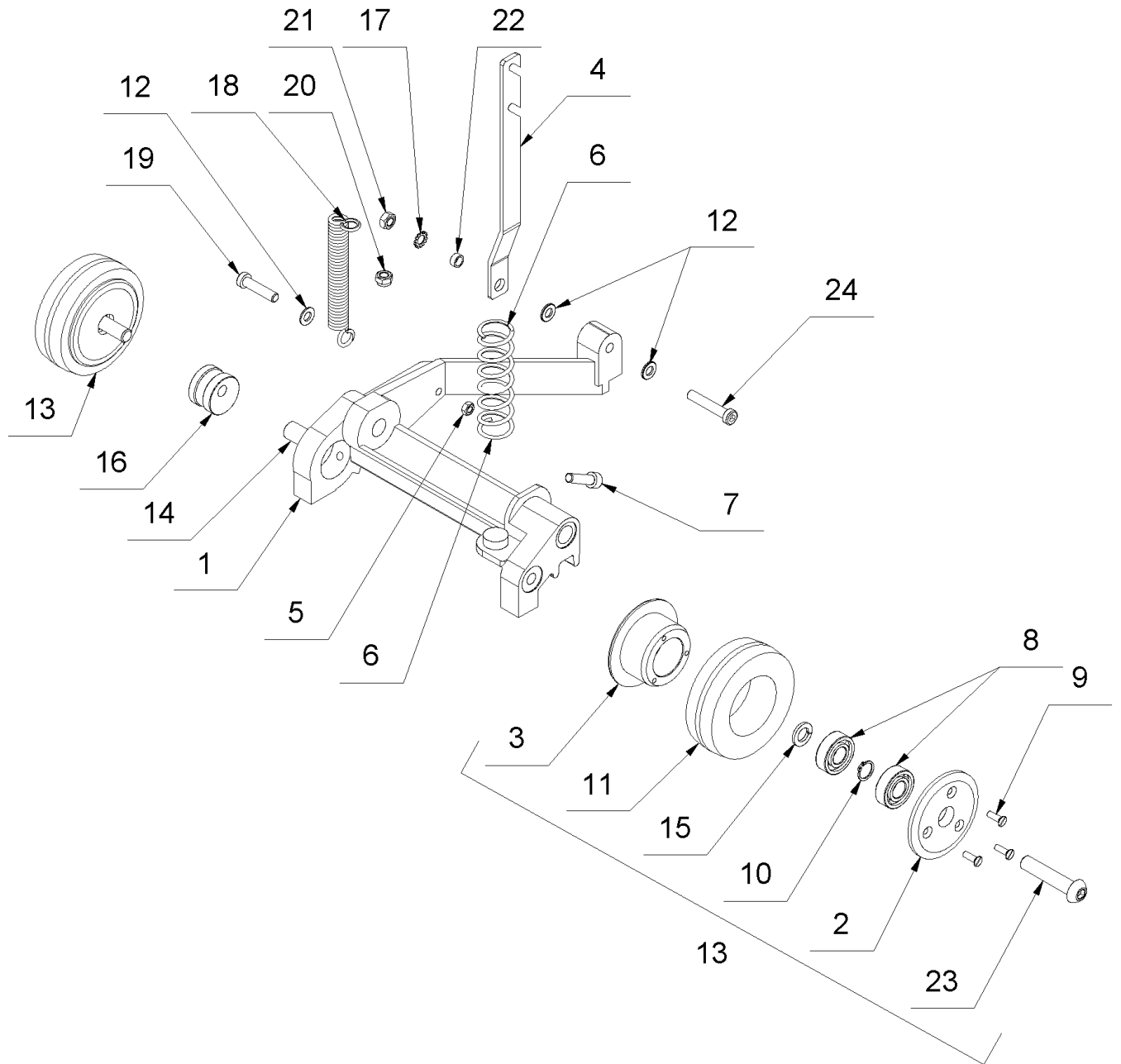
5 Roller clamo



5 Roller clamo

Item no.	Article no.	Description	Quantity
1	016342	Tension lever Cobra/Viper/Python	1
2	016338	Tension roller holder Cobra/Python	1
3	016190	Adjusting plate Cobra/Python	1
4	014810	Hexagon nut M 8 DIN 934 I6I/I8I	4
5	016180	Ball handle Cobra/Python/Viper	1
6	014620	Lock nut M16 DIN 934	1
7	016343	Cylinder head screw M10x45 DIN 6912	1
8	016347	Eye screw M8x80 special	1
9	014554	Pressure spring Viper	1
10	043902	Washer 8,4x30 DIN 522	1
11	017667	Hexagon nut M10 DIN 936 flat	1
12	016345	Mounting bolt Cobra/Viper/Python	1
13	017116	Countersunk screw M8x30 10.9 DIN 7991	1
14	043915	Cylinder Head Bolt M10x 40 DIN 6912	1
15	016492	Pressure piece Cobra/Viper/Python	1
16	048500	Tension roller holder cpl. Cobra/Python	1

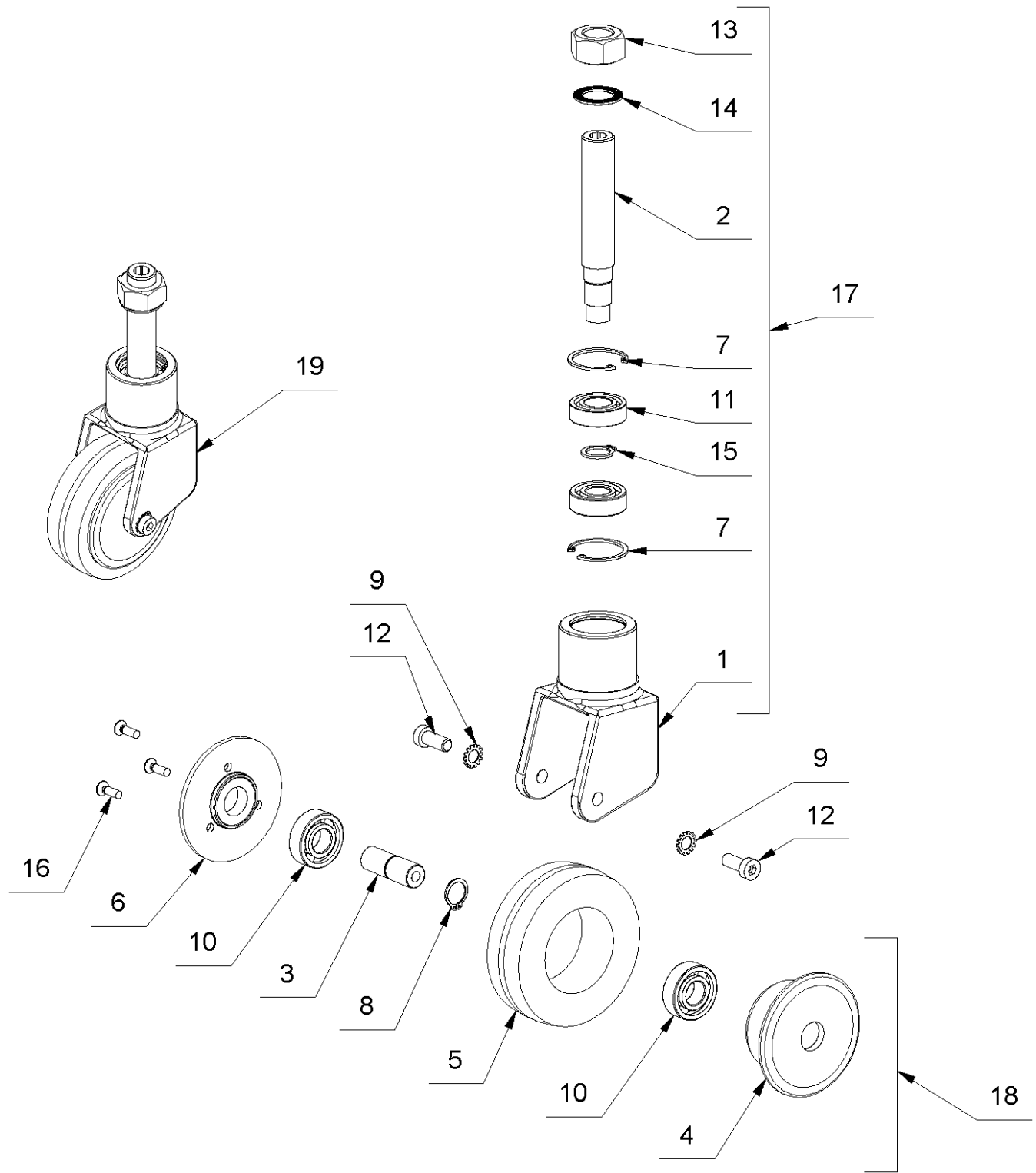
6 Carriage



6 Carriage

Item no.	Article no.	Description	Quantity
1	016428	Chassis lever Cobra	1
2	016416	Wheel cover Cobra/Viper/Python	2
3	016415	Steering and wheel rim Cobra/Viper/Pytho	2
4	016434	374/67 Connecting piece Cobra	1
5	014809	Hexagon nut M6 DIN 934	1
6	014554	Pressure spring Viper	1
7	014736	Cylinder head screw M8x30 DIN 912	1
8	018351	Ball bearing 6202 2RS	4
9	016701	ZZZCountersunk screw see 16312	6
10	018101	Safety washer A15 DIN 471	2
11	016171	Vulcolan tyre Cobra/Viper/Python	2
12	014828	Washer M8 DIN 125 A	3
13	037082	Wheel compl.Cobra/Viper/Python	2
14	016422	Socket for wheel axle Cobra/Viper/Python	2
15	016424	Spring washer 12 DIN 127	1
16	016425	Eccentric cam with thread Cobra	1
17	016321	Spring washer A 8,4 DIN 6798	1
18	016175	Tension spring Cobra	1
19	016430	Cylinder head screw M8x35 DIN 6912	1
20	014816	Hexagon nut M8 DIN 985	1
21	014810	Hexagon nut M 8 DIN 934 I6I/I8I	1
22	016437	Distance bushing Cobra	1
23	074347	Lens screw M12x60 ISO7380/1	2
24	016343	Cylinder head screw M10x45 DIN 6912	1

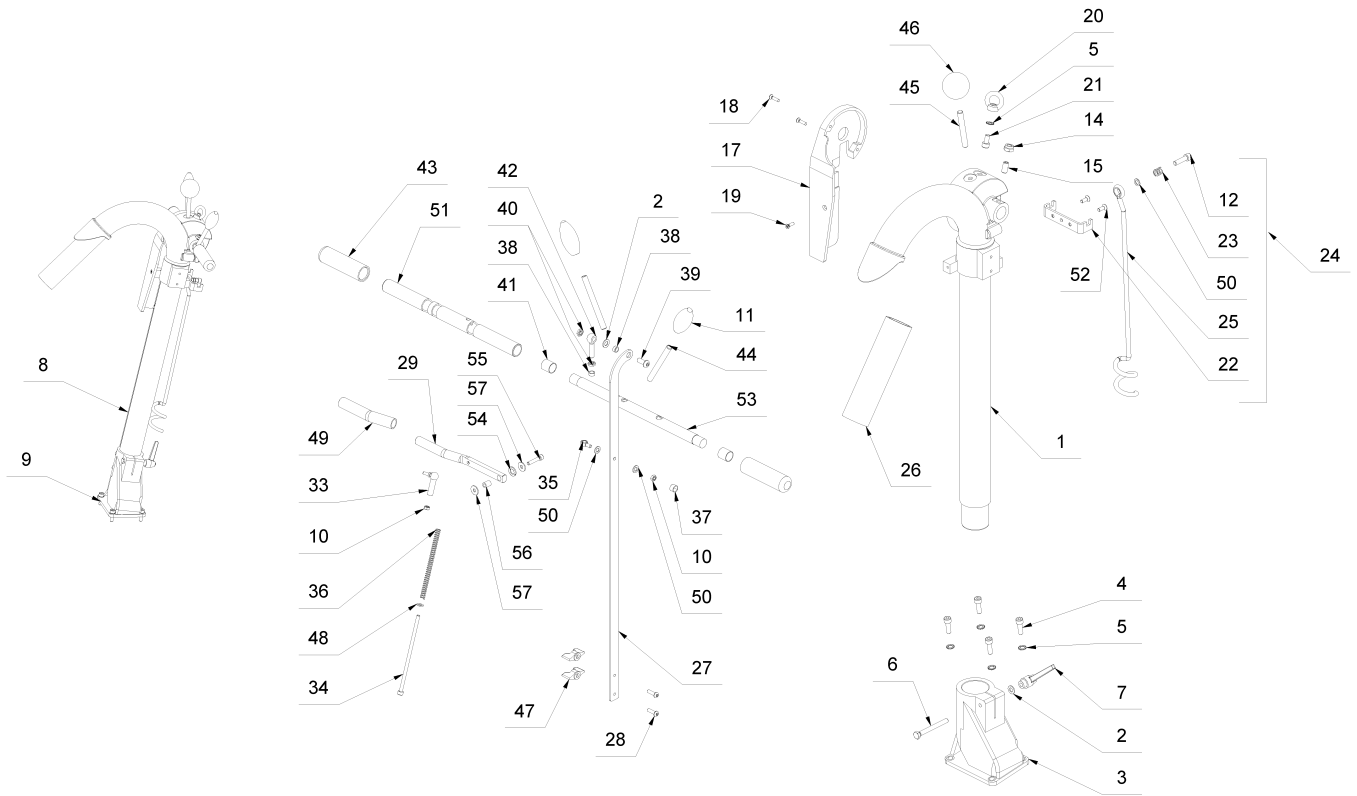
7 Caster



7 Caster

Item no.	Article no.	Description	Quantity
1	016406	Steering wheel fork Cobra/Viper/Python	1
2	016410	Casting shaft Cobra/Python	1
3	014601	Caster wheel Cobra/Viper/Python	1
4	016415	Steering and wheel rim Cobra/Viper/Pytho	1
5	016171	Vulcolan tyre Cobra/Viper/Python	1
6	016416	Wheel cover Cobra/Viper/Python	1
7	018091	Circlip I35 DIN472	2
8	018101	Safety washer A15 DIN 471	1
9	016321	Spring washer A 8,4 DIN 6798	2
10	018351	Ball bearing 6202 2RS	3
11	018359	Ball bearing 6003 2RS	1
12	016413	Cylinder head screw M6x150 DIN 912	2
13	039981	Hexagon nut M20x1,5 DIN 934	1
14	074979	Washer M20	1
15	014850	Safety washer A17 DIN 471	1
16	080377	Countersunk screw M5x16 (Torx)	3
17	047064	Steering wheel fork without wheel Cobra	1
18	048583	Steering Wheel compl	1
19	016380	Steering wheel with fork cpl.	1

8 Lenkung FH2HD 595



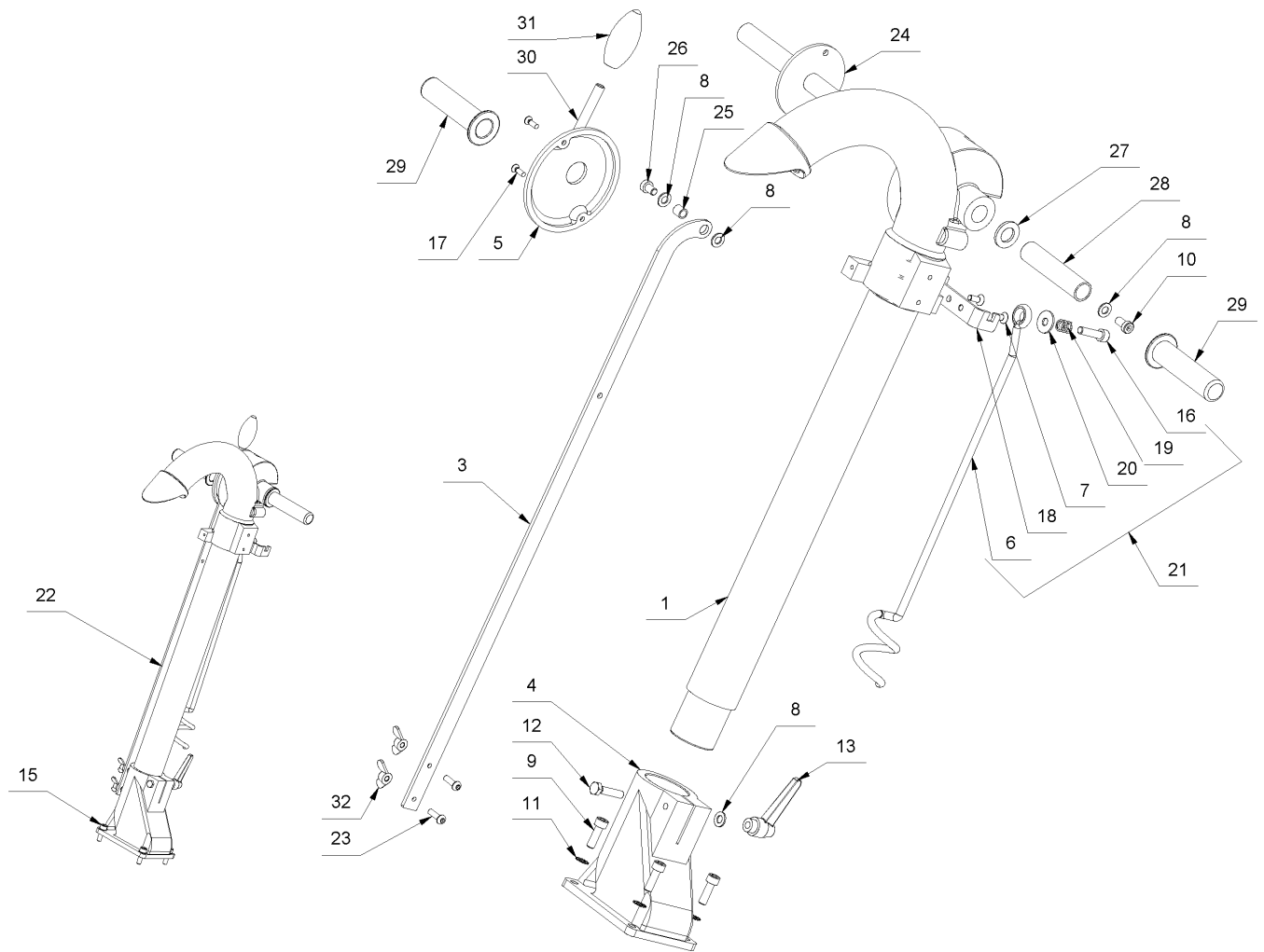
8 Lenkung FH2HD 595

Item no.	Article no.	Description	Quantity
1	077095	SteeringFH 2HD 595 CobraClassic	1
2	014828	Washer M8 DIN 125 A	2
3	047307	Dust pipe support 7° Cobra	1
4	014735	Cylinder head screw M8x25 DIN 912	4
5	016321	Spring washer A 8,4 DIN 6798	5
6	049206	Hexagonal screw M 8x 75 DIN 933	1
7	014877	Clamping lever M8 Duro	1
8	074562	Guidance cpl.Cobra Classic	1
9	048702	Steering Base compl.	1
10	014809	Hexagon nut M6 DIN 934	2
11	016180	Ball handle Cobra/Python/Viper	2
12	014736	Cylinder head screw M8x30 DIN 912	1
14	014817	Hexagon nut M10 DIN 985	1
15	018216	Headless pin M10x20 DIN 913	1
17	016615	Housing cover Cobra FH	1
18	080378	Countersunk screw M 5x20 (Torx)	2
19	080377	Countersunk screw M5x16 (Torx)	1
20	016618	ndng nut M 8 DIN 582	1
21	017651	Cylinder head screw M8x16 DIN 912	1
22	016521	Cable support Cobra/Viper/Python	1
23	043827	Pressure spring 13x20x1,5	1
24	048582	Cable support cpl.	1
25	014548	Cable arm long Viper	1
26	047208	Suction nozzle Cobra	1
27	047303	Tie rod 595 Cobra	1
28	018706	Lens head screw M6x20	2
29	016628	Lifting grip Cobra	1
33	016632	Angle joint Cobra/Viper/Python	1
34	016673	Cylinder head screw M6x150 DIN 912	1
35	016635	Eye screw M 6x20 DIN 444	1
36	016638	Pressure spring 9x167x1,2	1
37	043882	Guard cover	1
38	016437	Distance bushing Cobra	2
39	047385	Lens head screw M8x20	1

8 Lenkung FH2HD 595

Item no.	Article no.	Description	Quantity
40	017676	Hexagon nut M8 DIN 936	2
41	047218	Bushing 1820	2
42	047216	Eye screw M8x40 DIN 444	1
43	047310	Grip covering Magura	2
44	016404	Lever pin Cobra / Viper	2
45	014788	Stud bolt M10x60 DIN 835-8.8	1
46	047220	Ball button 50mm M10	1
47	047796	Wing nut M6 plastic	2
48	014827	Washer M6 DIN 125 A	1
49	082068	PVC-hand grip Wega black	1
49	082068	PVC-hand grip Wega black	1
50	078449	Shim washer 8x14x1,2 DIN 988	3
50	018737	Washer 8,4x24x2 DIN 9021 galv.	5
51	047301	Grip pipe Cobra	1
51	047301	Grip pipe Cobra	1
52	014756	Countersunk screw M6x16 DIN 7991 10.9	2
52	014756	Countersunk screw M6x16 DIN 7991 10.9	2
53	047304	Shaft for sinking Cobra	1
53	047304	Shaft for sinking Cobra	1
54	043831	lock washer 10 DIN 128	1
55	017678	Cylinder head screw M6x30 DIN 912	1
56	016629	337/43.02 Distance bushing Cobra	1
57	017724	Washer DIN 9021 6,4x18x1,6	2

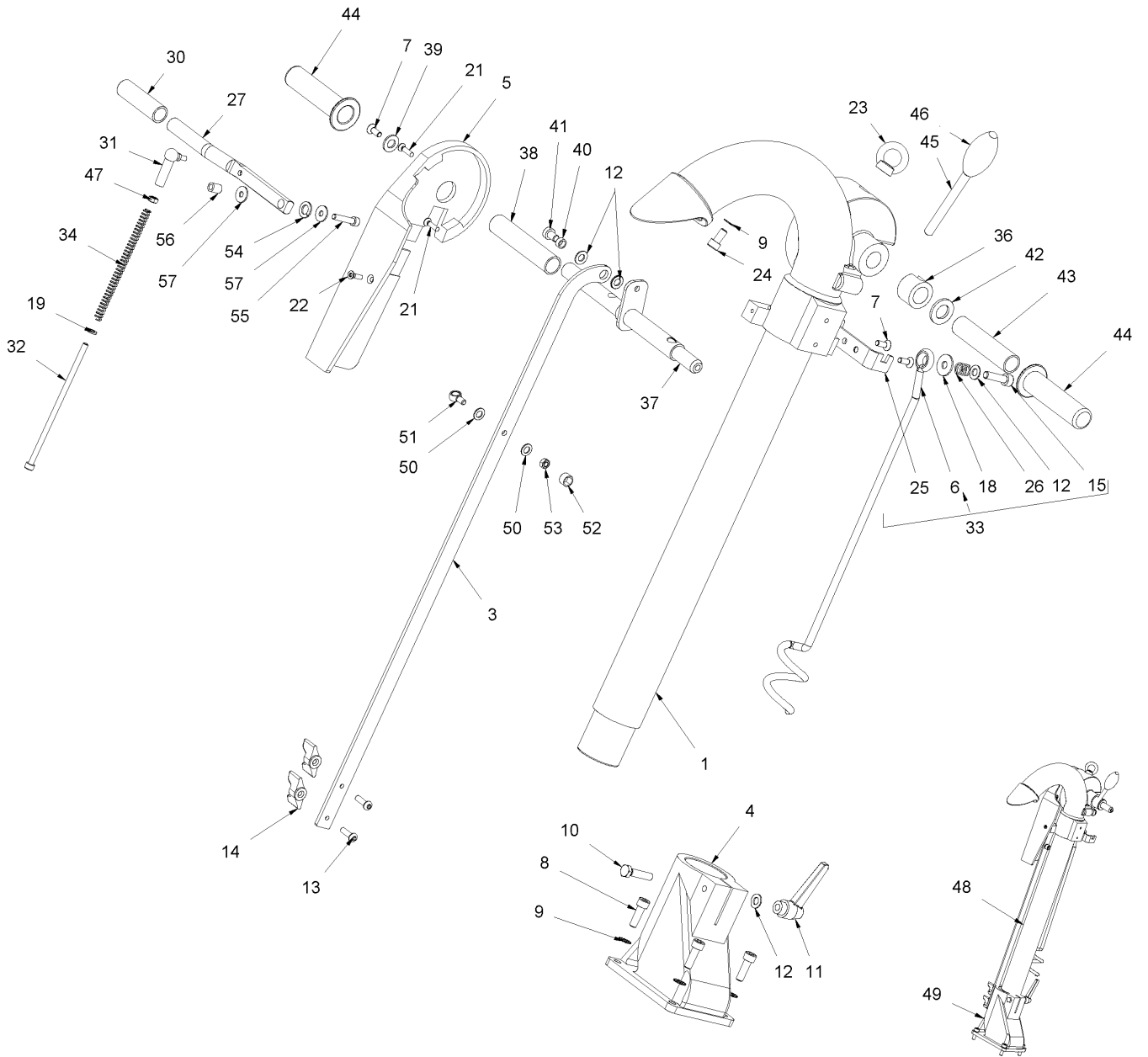
9 Lenkung 576



9 Lenkung 576

Item no.	Article no.	Description	Quantity
1	048612	Steering normal 575	1
3	016627	Control rod 575 Cobra	1
4	016319	Dust pipe support Cobra	1
5	016388	Housing cover normal	1
6	014548	Cable arm long Viper	1
7	014756	Countersunk screw M6x16 DIN 7991 10.9	2
8	014828	Washer M8 DIN 125 A	4
9	014735	Cylinder head screw M8x25 DIN 912	4
10	014733	Cylinder head screw M8x16 DIN 6912	1
11	016321	Spring washer A 8,4 DIN 6798	4
12	018158	hexagon head screw M 8x 35 DIN 933	1
13	014877	Clamping lever M8 Duro	1
15	048698	Guide base cpl.	1
16	014736	Cylinder head screw M8x30 DIN 912	1
17	080377	Countersunk screw M5x16 (Torx)	2
18	016521	Cable support Cobra/Viper/Python	1
19	043827	Pressure spring 13x20x1,5	1
20	018737	Washer 8,4x24x2 DIN 9021 galv.	1
21	048582	Cable support cpl.	1
22	048623	Steering cpl.575	1
23	018706	Lens head screw M6x20	2
24	016279	Handgrip right Viper	1
25	016437	Distance bushing Cobra	1
26	016397	Cylinder head screw M8x12 DIN 6912	1
27	014831	Washer 16mm DIN 125	1
28	016280	Hand grip left Viper	1
29	016403	PVC handle Cobra	2
30	016404	Lever pin Cobra / Viper	1
31	016180	Ball handle Cobra/Python/Viper	1
32	047796	Wing nut M6 plastic	2

10 Lenkung FH 575



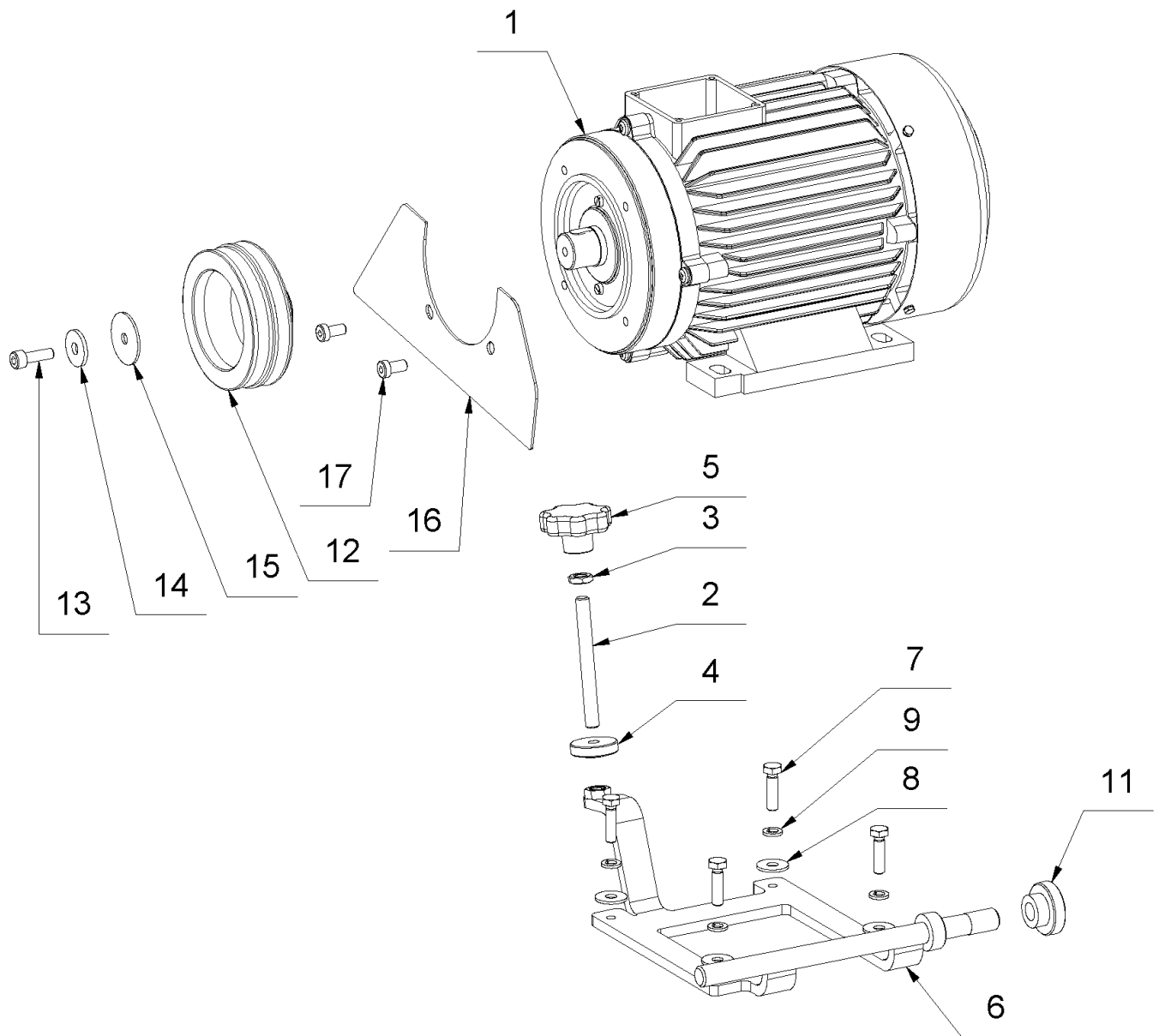
10 Lenkung FH 575

Item no.	Article no.	Description	Quantity
1	048613	Steering FH 575	1
3	016627	Control rod 575 Cobra	1
4	016319	Dust pipe support Cobra	1
5	016615	Housing cover Cobra FH	1
6	014548	Cable arm long Viper	1
7	014756	Countersunk screw M6x16 DIN 7991 10.9	3
8	014735	Cylinder head screw M8x25 DIN 912	4
9	016321	Spring washer A 8,4 DIN 6798	5
10	018158	hexagon head screw M 8x 35 DIN 933	1
11	014877	Clamping lever M8 Duro	1
12	014828	Washer M8 DIN 125 A	4
13	018706	Lens head screw M6x20	2
14	047796	Wing nut M6 plastic	2
15	014736	Cylinder head screw M8x30 DIN 912	1
18	018737	Washer 8,4x24x2 DIN 9021 galv.	1
19	014827	Washer M6 DIN 125 A	1
21	080378	Countersunk screw M 5x20 (Torx)	2
22	080377	Countersunk screw M5x16 (Torx)	1
23	016618	ndng nut M 8 DIN 582	1
24	017651	Cylinder head screw M8x16 DIN 912	1
25	016521	Cable support Cobra/Viper/Python	1
26	043827	Pressure spring 13x20x1,5	1
27	016628	Lifting grip Cobra	1
30	043838	Shrinking hose	1
31	016632	Angle joint Cobra/Viper/Python	1
32	016673	Cylinder head screw M6x150 DIN 912	1
33	048582	Cable support cpl.	1
34	016638	Pressure spring 9x167x1,2	1
36	016640	Pressure bushing Cobra	1
37	016641	Handle right Cobra	1
38	016642	Handle pipe Cobra	1
39	014829	Washer M10 DIN 125 A	1
40	016437	Distance bushing Cobra	1
41	016397	Cylinder head screw M8x12 DIN 6912	1

10 Lenkung FH 575

Item no.	Article no.	Description	Quantity
42	014831	Washer 16mm DIN 125	1
43	016280	Hand grip left Viper	1
44	016403	PVC handle Cobra	2
45	016404	Lever pin Cobra / Viper	1
46	016180	Ball handle Cobra/Python/Viper	1
47	014809	Hexagon nut M6 DIN 934	1
48	048624	Steering cpl.FH 575	1
49	048698	Guide base cpl.	1
50	078449	Shim washer 8x14x1,2 DIN 988	2
51	016635	Eye screw M 6x20 DIN 444	1
52	043882	Guard cover	1
53	014809	Hexagon nut M6 DIN 934	1
54	043831	lock washer 10 DIN 128	1
55	017678	Cylinder head screw M6x30 DIN 912	1
56	016629	337/43.02 Distance bushing Cobra	1
57	017724	Washer DIN 9021 6,4x18x1,6	2

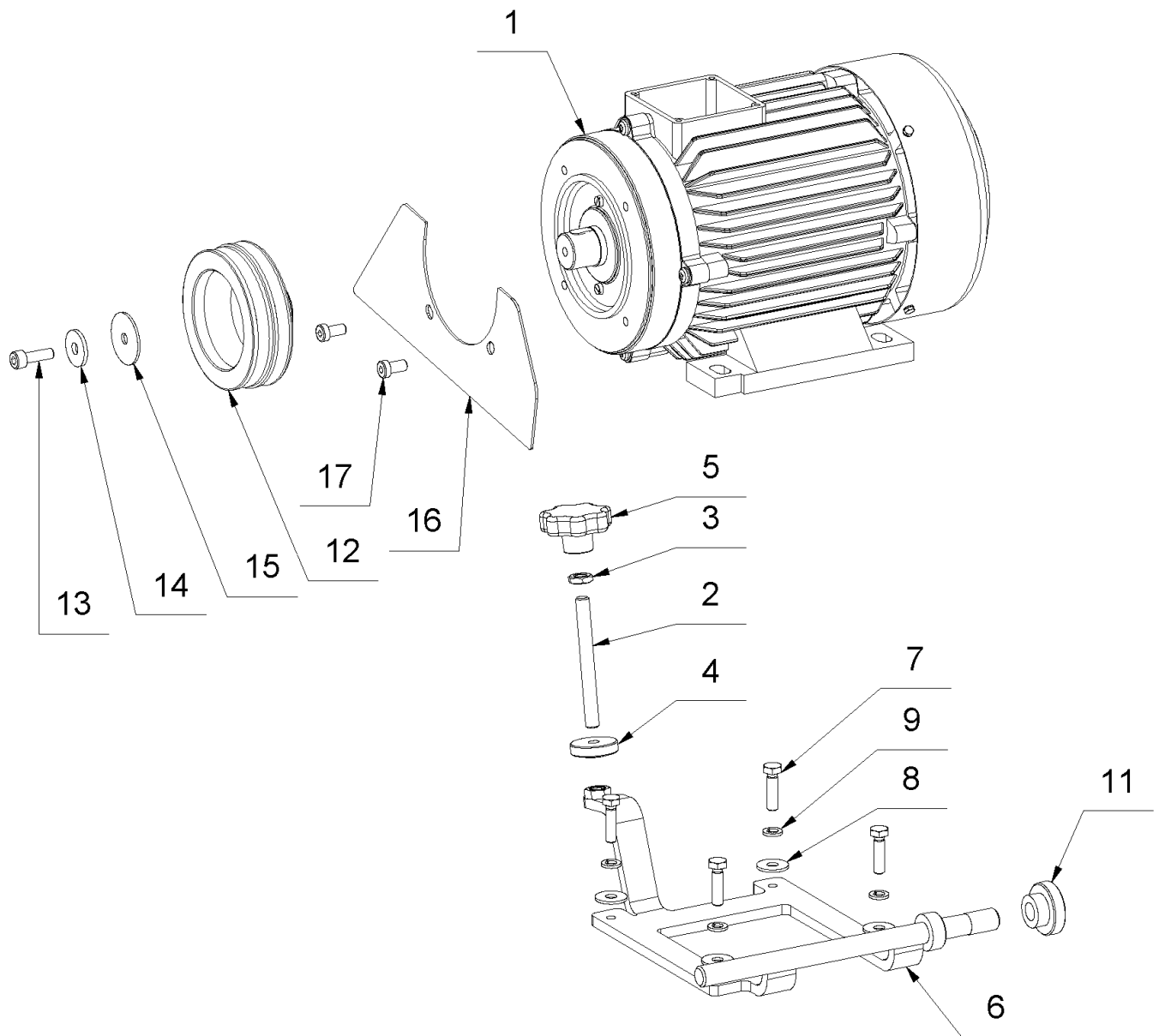
11 Motor 2,5 kW



11 Motor 2,5 kW

Item no.	Article no.	Description	Quantity
1	061345	motor 2,5kW 230V/50Hz Cobra1	1
2	043837	Threaded Rod, S8	1
3	017667	Hexagon nut M10 DIN 936 flat	1
4	016356	46010000 Knurled lock nuts Gecko	1
5	043897	Star Knob B50 M10	1
6	016452	Motor base Cobra	1
7	017060	Hexagonal screw M 8x 30 DIN 933	4
8	018737	Washer 8,4x24x2 DIN 9021 galv.	4
9	016455	Spring washer 8 DIN 127	4
11	016603	Knurled nut M16 Cobra	1
12	016610	Motor pulley Cobra	1
13	014735	Cylinder head screw M8x25 DIN 912	1
14	016612	Washer 9 DIN 440	1
15	043903	Washer 8,4x40x1,5 DIN 522	1
16	016613	Protection sheet metal Cobra	1
17	043918	Cylinder head screw M8x16 DIN 7984	2
18	048632	Motor cpl.C 2,5kW Cobra	1

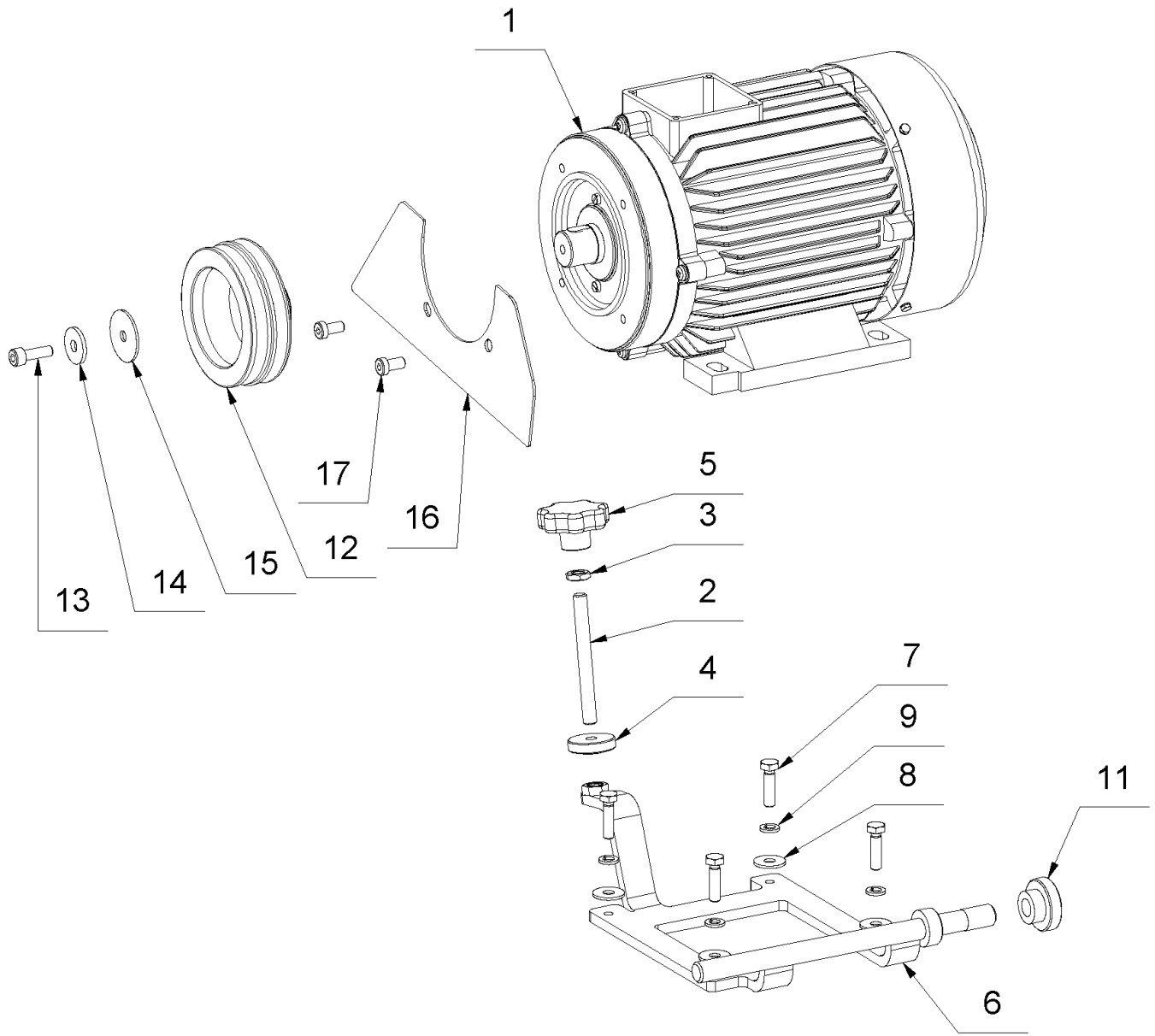
11 Motor 3,2 kW



11 Motor 3,2 kW

Item no.	Article no.	Description	Quantity
1	048530	Motor Dietz 3,2kW/50Hz with cut-out AUS	1
2	043837	Threaded Rod, S8	1
3	017667	Hexagon nut M10 DIN 936 flat	1
4	016356	46010000 Knurled lock nuts Gecko	1
5	043897	Star Knob B50 M10	1
6	016452	Motor base Cobra	1
7	017060	Hexagonal screw M 8x 30 DIN 933	4
8	018737	Washer 8,4x24x2 DIN 9021 galv.	4
9	016455	Spring washer 8 DIN 127	4
10	048637	Motor w.switch housing 400V/3kW/50Hz	1
11	016603	Knurled nut M16 Cobra	1
12	016610	Motor pulley Cobra	1
13	014735	Cylinder head screw M8x25 DIN 912	1
14	016612	Washer 9 DIN 440	1
15	043903	Washer 8,4x40x1,5 DIN 522	1
16	016613	Protection sheet metal Cobra	1
17	043918	Cylinder head screw M8x16 DIN 7984	2
18	048640	Motor cpl.Cobra 3,2kW AUS	1

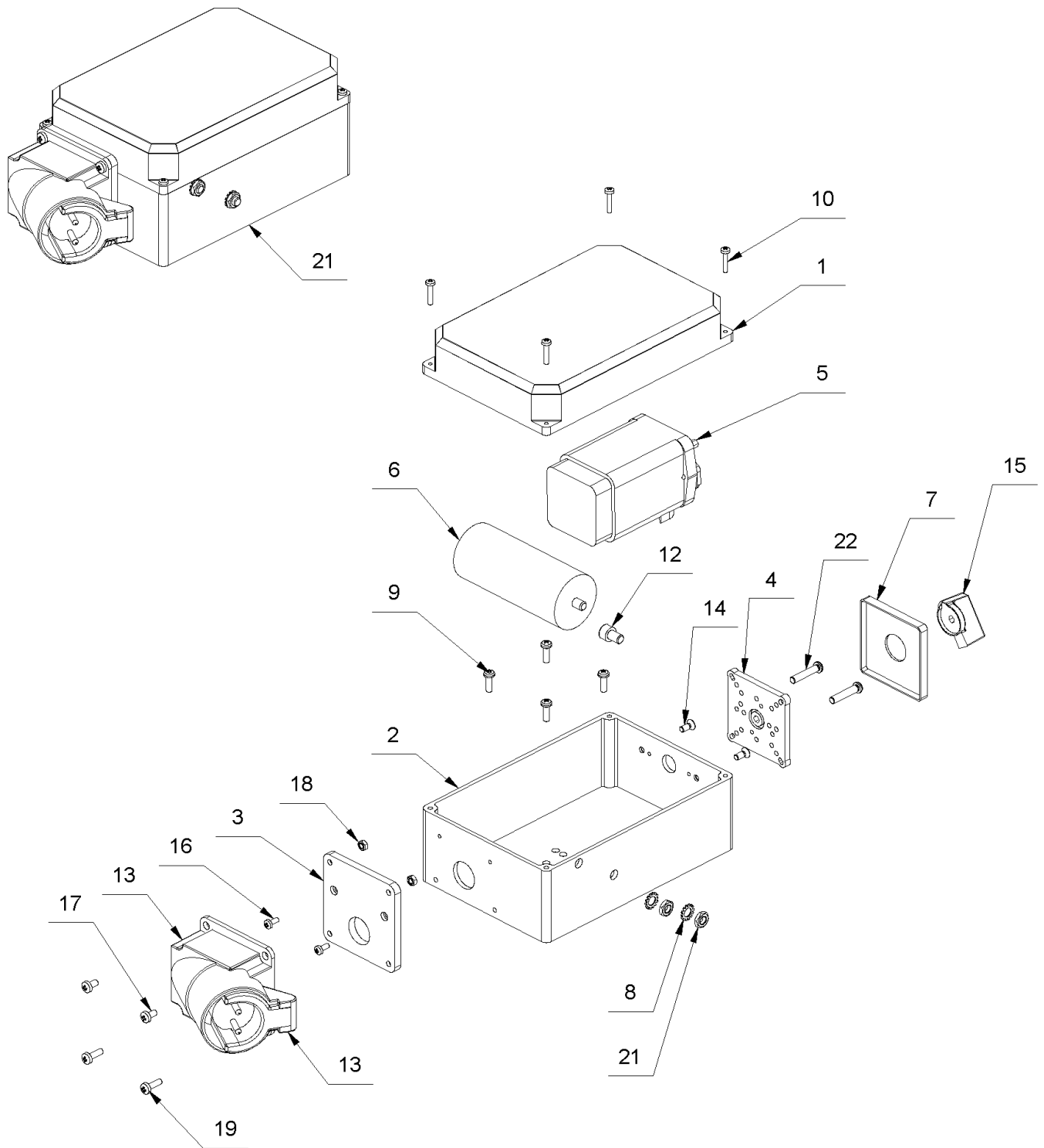
11 Motor 4 kW



11 Motor 4 kW

Item no.	Article no.	Description	Quantity
1	048537	Motor Dietz 4KW/50Hz/400V w.cut-out	1
2	043837	Threaded Rod, S8	1
3	017667	Hexagon nut M10 DIN 936 flat	1
4	016356	46010000 Knurled lock nuts Gecko	1
5	043897	Star Knob B50 M10	1
6	016452	Motor base Cobra	1
7	017060	Hexagonal screw M 8x 30 DIN 933	4
8	018737	Washer 8,4x24x2 DIN 9021 galv.	4
9	016455	Spring washer 8 DIN 127	4
10	048637	Motor w.switch housing 400V/3kW/50Hz	1
11	016603	Knurled nut M16 Cobra	1
12	016610	Motor pulley Cobra	1
13	014735	Cylinder head screw M8x25 DIN 912	1
14	016612	Washer 9 DIN 440	1
15	043903	Washer 8,4x40x1,5 DIN 522	1
16	016613	Protection sheet metal Cobra	1
17	043918	Cylinder head screw M8x16 DIN 7984	2
18			1

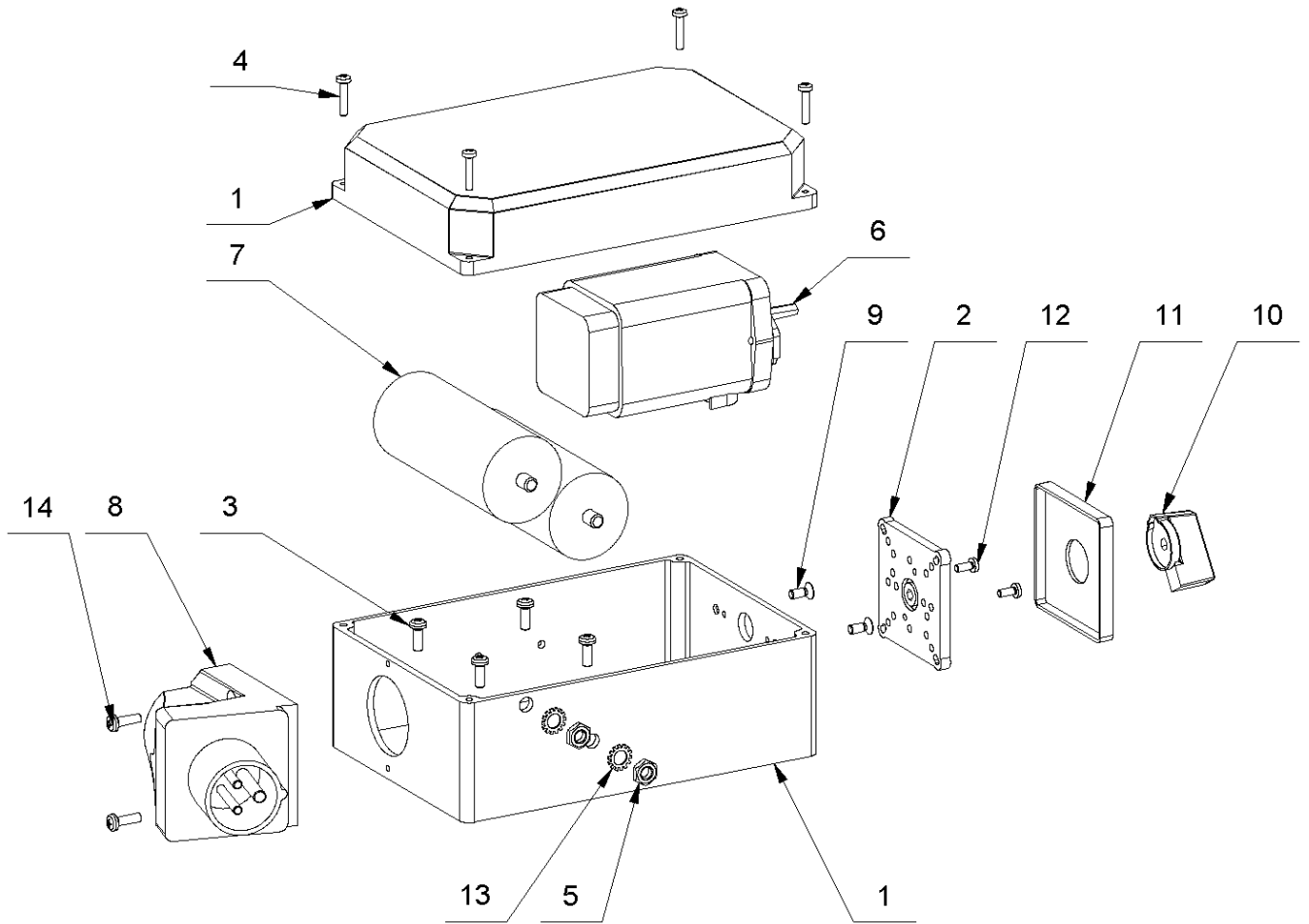
12 Switch box 2,5 kW



12 Switch box 2,5 kW

Item no.	Article no.	Description	Quantity
1	014542	314/76.94Switch box complete Viper empty	1
2	014542	314/76.94Switch box complete Viper empty	1
3	074382	Flange f. Plug for wall 16A	1
4	077217	Front panel f.switch box	1
5	043869	Switch NR152678 Cobra	1
6	043843	Start Capacitor 60 µF Ducati	2
7	043877	Plate for switch Cobra	1
8	016321	Spring washer A 8,4 DIN 6798	2
9	042835		4
10	014805	Lens screw M 4x20 DIN 7985	4
11	017676	Hexagon nut M8 DIN 936	2
12	018254	Cylinder head screw M8x12 DIN 912	1
13	048551	Plug for wall new to 1.7.2007 16 A	1
14	043890	Countersink bolt M5x12 DIN 965	2
15	043875	Switch Knob	1
16	014804	Lens head screw M4x10 DIN 7985	4
17	017681	Lens head screw M 5x10	2
18	017773	Hexagon nut M5 DIN 934	2
19	048507	lens head screw M5x16 DIN 7985	2
20	048680	Switch housing+Switch Viper	1
21	080764	Protection stopper Ø 6,6	4
22	050145	Connection terminal 3-fold	1

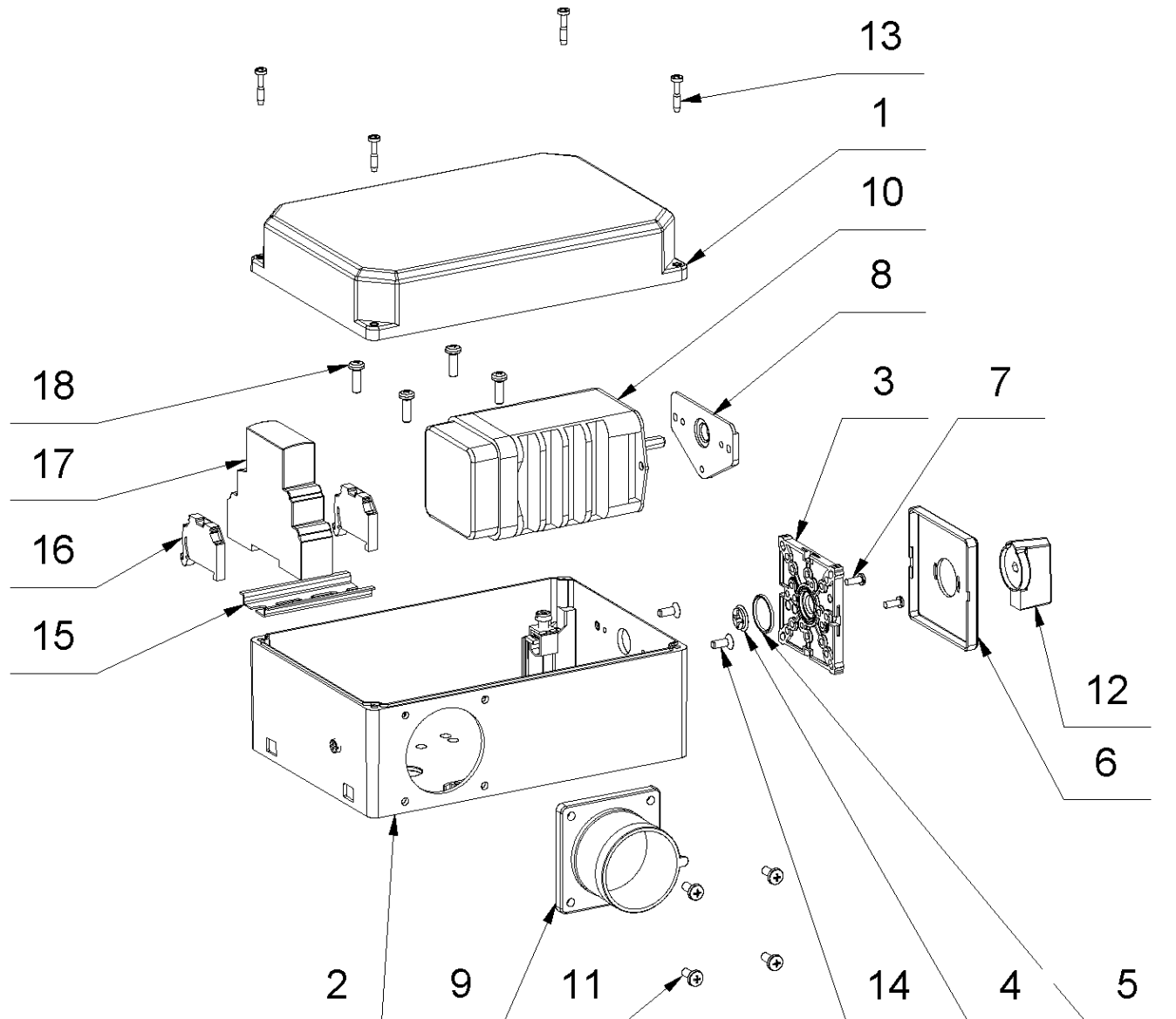
12 Switch box 3,2 kW



12 Switch box 3,2 kW

Item no.	Article no.	Description	Quantity
1	048534	Switch housing unfinished CH	1
2	077217	Front panel f.switch box	1
3	043835	Self-tapping screw M5x14 DIN 7500	4
4	014805	Lens screw M 4x20 DIN 7985	4
5	017676	Hexagon nut M8 DIN 936	2
6	049068	Swich insert 308682 Bosch	1
7	043843	Start Capacitor 60 µF Ducati	2
8		Electrical plug/wall blue 32A 3pol	1
9	043890	Countersink bolt M5x12 DIN 965	2
10	043875	Switch Knob	1
11	043877	Plate for switch Cobra	1
12	014804	Lens head screw M4x10 DIN 7985	2
13	016321	Spring washer A 8,4 DIN 6798	2
14	049052	Self-tapping screw M5x16 DIN 7500	2

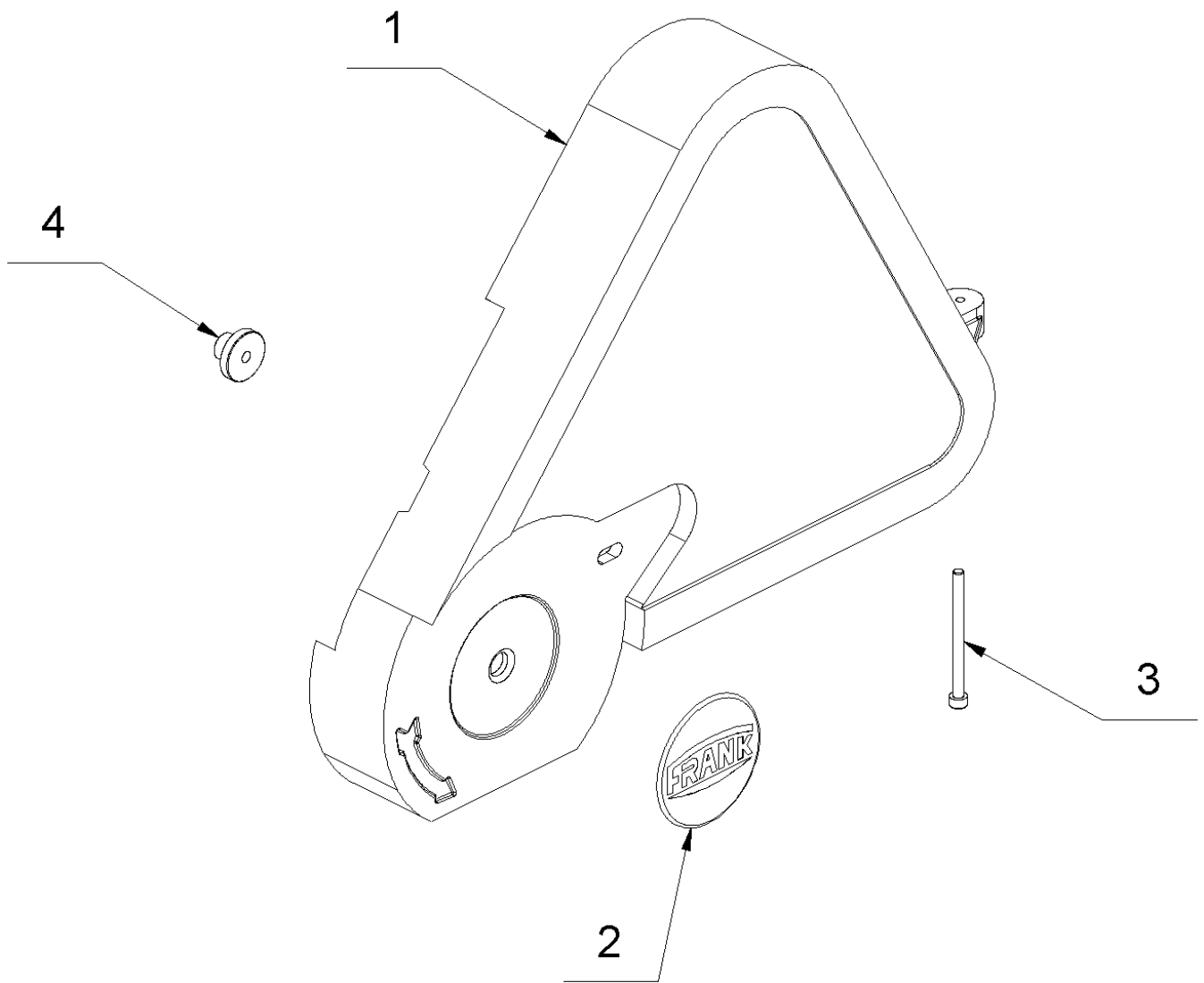
12 Switch box 4 kW



12 Switch box 4 kW

Item no.	Article no.	Description	Quantity
1		Cover	1
2		Housing	1
3		Front panel	1
4		Axle bushing clamping ring	1
5		Seal	1
6		Front shield	1
7		Srew M4x10	2
8		Seal	1
9		Turning device plug	1
10		Switch 4 kW	1
11	040068	Self-tapping screw M5x12 DIN 7500	4
12	043875	Switch Knob	1
13		Srew	4
14	043890	Countersink bolt M5x12 DIN 965	2
15	080112	Top hat rail 75 mm	1
16	071895	Top hat rail unclamp 6mm	2
17	078446	Phase relays Python Classic	1
18	049052	Self-tapping screw M5x16 DIN 7500	4

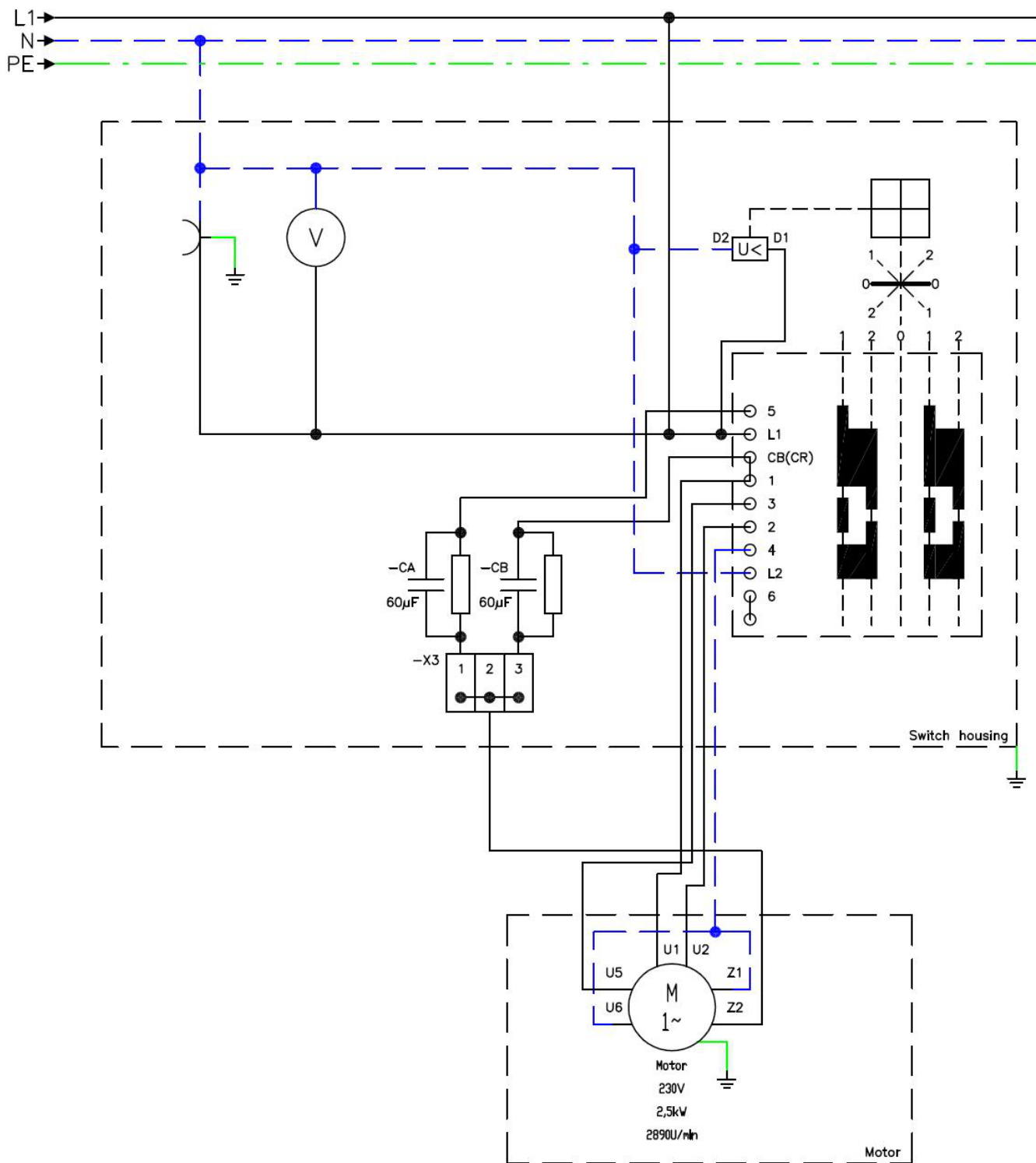
13 Belt protection hood



13 Belt protection hood

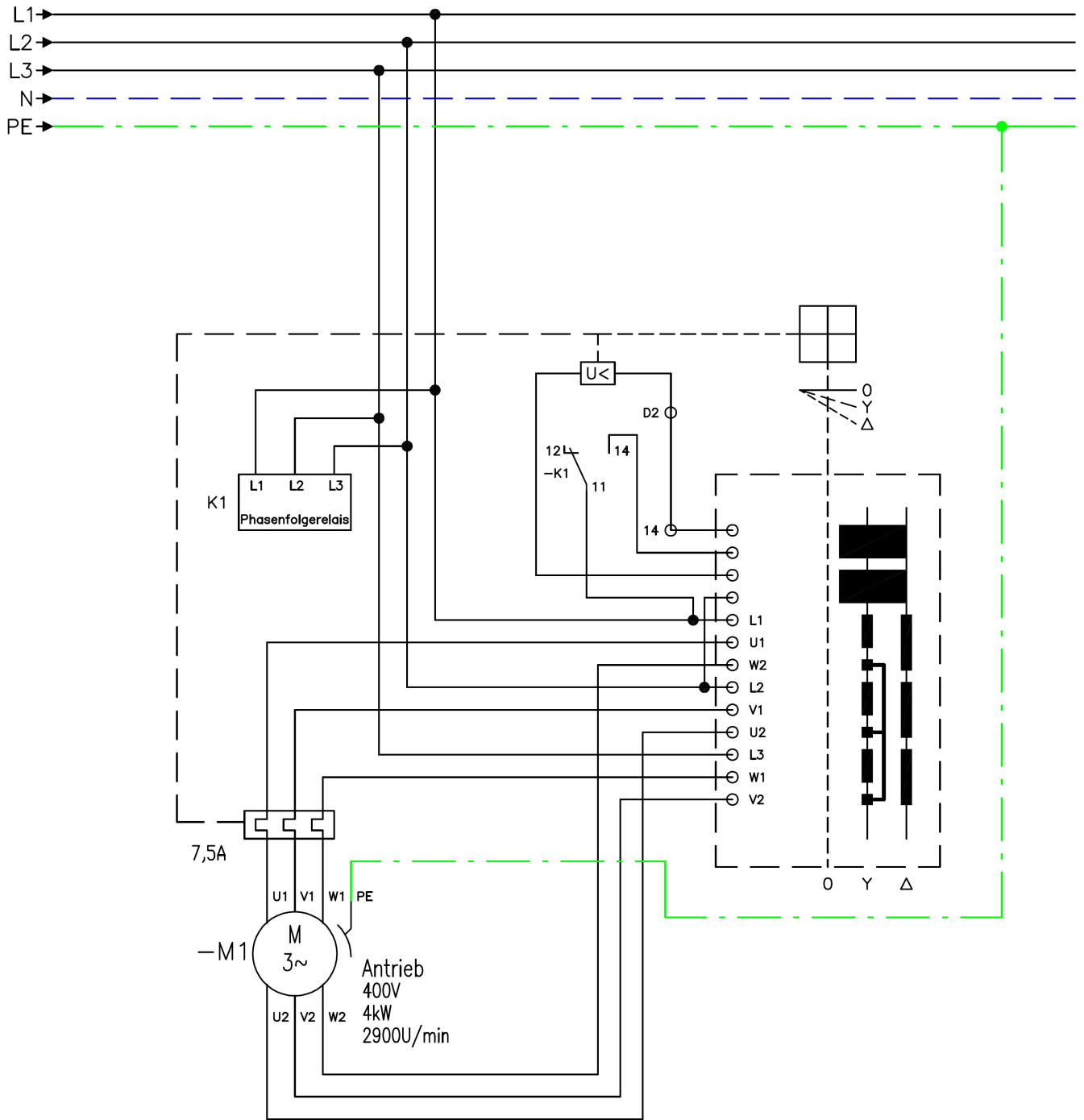
Item no.	Article no.	Description	Quantity
1	074616	Belt protection hood CobraCla./PythonCla	1
2	137491	Label Frank 3D Ø80mm	1
3	077311	Cylinder head screw M 6x 80 DIN 912	1
4	016331	Thumb nut M 8 DIN 466	1

14 Circuit diagram 2,5 / 3,2kW



14 Cîrcuit diagram 2,5 / 3,2kW

15 Ciriut diagram 4,0kW



15 Cîrcuit diagram 4,0kW

16 Tool kit #060281

Article no.	Description	Quantity
017601	Open-end wrench SW17	1
016842	Open-ended wrench SW10	1
016799	Open-end wrench SW13	1
016800	Open-end wrench SW19	1
018635	Open-end wrench SW24	1
043826	Double open-end wrench SW30/36	1
017027	Hexagonal screw key SW4 DIN 911	1
014956	Hexagonal screw key SW5 DIN 911	1
014957	Hexagonal screw key SW6 DIN 911	1
014959	Hexagonal screw key SW8 DIN 911	1
018641	Hexagonal screw key SW10 DIN 911	1
060253	Tool bag orange	1
016813	Multi clip URS/Gecko/Cobra/Viper	1

17 Accessories

Article no.	Description	Quantity
012624	CORUNDUM SANDING BELT 200 X 750 MM K 36	1
012627	CORUNDUM SANDING BELT 200 X 750 MM K 60	1
012629	CORUNDUM SANDING BELT 200 X 750 MM K 100	1
015315	Hearing protectors	1
016732	Fine dust mask Gecko/URS/Cobra	1
040383	Running wheel adjusting tool cpl.Cobra	1
013839	DUST BAG FOR COBRA/VIPER/PYTHON	1
014595	Drum v-belt XPZ 950 Cobra	1
014596	374/101.87Fan v-belt Cobra	1
060282	extension cord3G2,5x12,5 orange/Pallmann	1
062062	Ext.cord 3G2,5x12,5orangeUK230V/Pallm	1
081446	Sander base Cobra/Python	1