



## **spare parts list**

### **Frank Cobra Classic 230V EU**

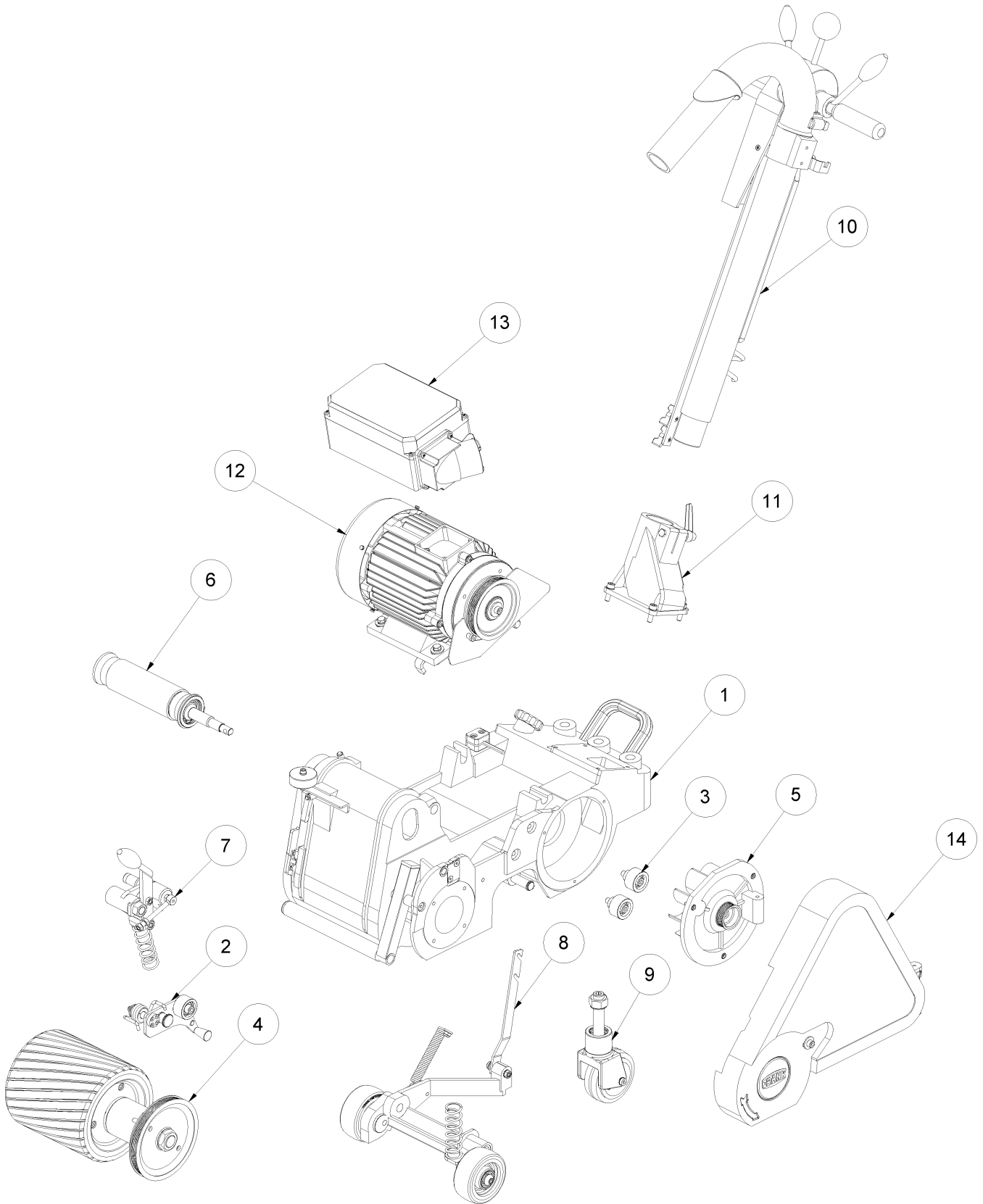


## Table of contents

---

1 Frank Cobra Classic 230V EU (0001/2015 - up to now)	3
1 Base support	5
2 Belt tensioner, compl.	8
3 Belt deflection roller, compl.	10
4 Sanding drum bearing	12
5 Fan flange, compl.	14
6 Tension roller	16
7 Tension roller bracket	18
8 Carriage	20
9 Caster	22
10 Handle	24
11 Dust Pipe support, compl. w/o castor	27
12 Motor 2,5kW	29
13 Motor Dietz 2,5KW without cut-out	31
12 Motor 3,2kW	33
12 Motor 4kW	35
13 Switch box 2,5kW	37
13 Switch box 2,5kW CH	39
13 Switch box 3,2kW	41
13 Switch box 4kW	43
14 Belt protection hood	45
15 Circuit diagram	47
16 Tool kit #060281	49
17 Accessories	50

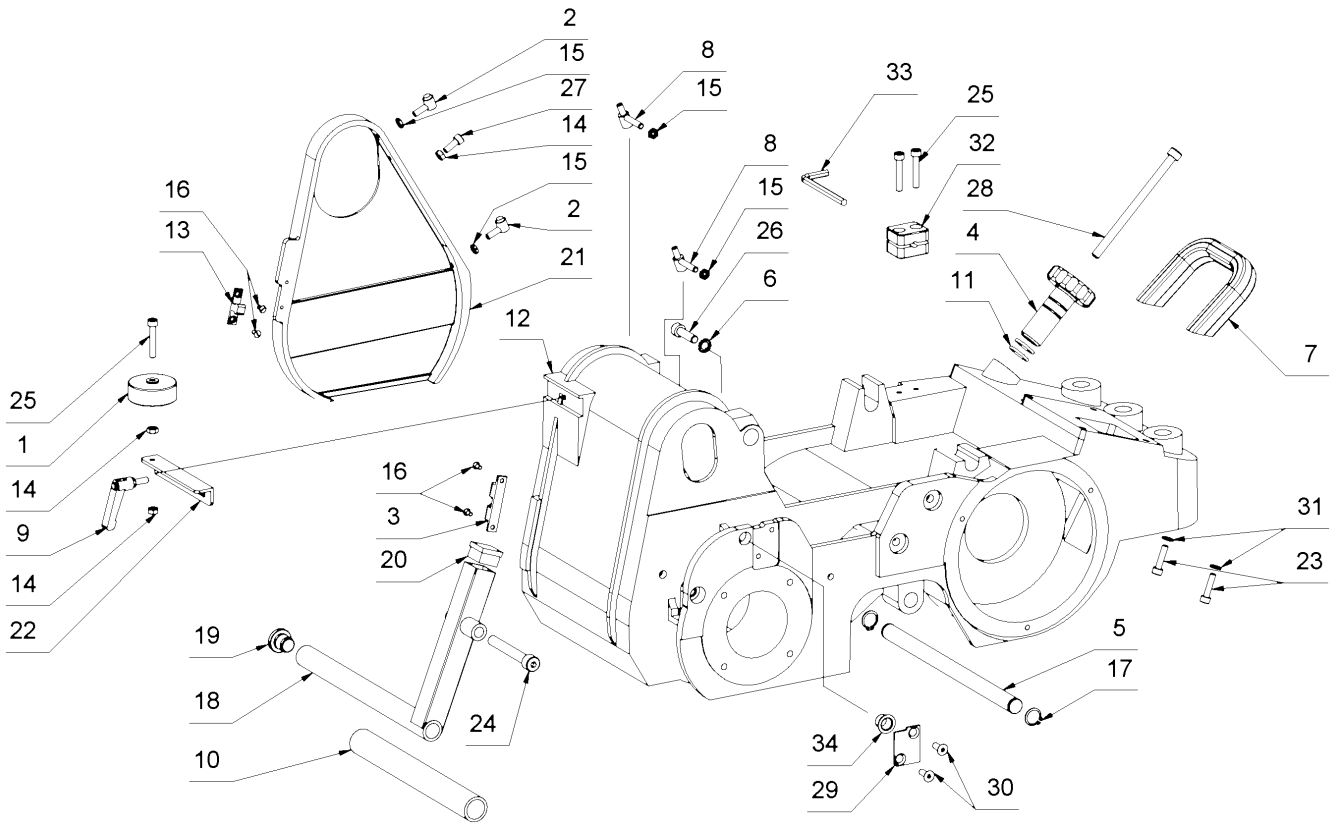
# 1 Frank Cobra Classic 230V EU (0001/2015 - up to now)



## 1 Frank Cobra Classic 230V EU (0001/2015 - up to now)

Item no.	Article no.	Description
1	01_01_074540	Base support
2	01_02_083934	Belt tensioner, compl.
3	01_03_074540	Belt deflection roller, compl.
4	01_07_062228	Sanding drum bearing
5	01_05_078527	Fan flange, compl.
6	01_09_016845	Tension roller
7	01_07_048500	Tension roller bracket
8	01_08_074540	Carriage
9	01_09_074570	Caster
10	01_10_074562	Handle
11	01_11_048702	Dust Pipe support, compl. w/o castor
12	01_12_081685	Motor 4kW
12	01_12_074545	Motor 2,5kW
12	01_12_077687	Motor 3,2kW
13	01_13_048631	Switch box 2,5kW
13	01_13_048634	Switch box 2,5kW CH
13	01_13_077687	Switch box 3,2kW
13	01_13_081685	Switch box 4kW
14	01_14_071845	Belt protection hood
15	01_15_074540	Circuit diagram
16	01_19_060281	Tool kit #060281
17	01_17_078251	Accessories

# 1 Base support



# 1 Base support

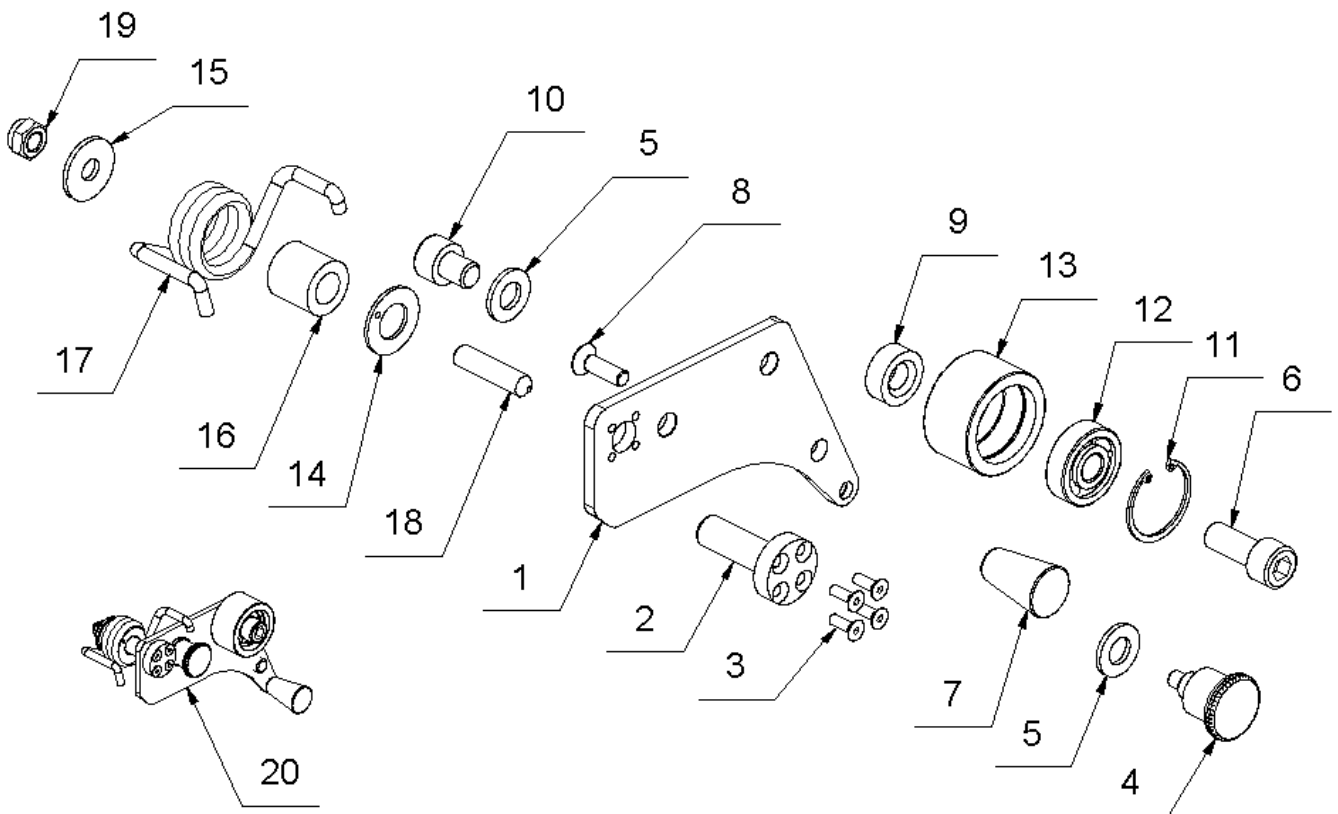
Item no.	Article no.	Description	Quantity
1	016177	Start-up wheel 2" Cobra/Viper/Python	1
2	016332	Cover hinge Cobra with nut	2
3	016328	Cover lock Cobra/Viper/Python	1
4	016327	Regular screw Cobra/ Python	1
5	016426	Chassis axle Cobra	1
6	016321	Spring washer A 8,4 DIN 6798	1
7	048585	Carrying bar behind Cobra/Python	1
7	172202	Carrying bar behind Cobra RAL3000	1
8	016334	Hood-hinge with nut Cobra/Python	2
9	047212	Clamping lever M6x16	1
10	088644	Handle PVC black Ø22x230mm	1
11	043853	Marking ring black	2
12	074496	Machine chassis CobraClassic	1
12	172190	Machine chassis Cobra Classic red	1
13	016384	274/6.02 Lock notch Cobra/Viper/Python	1
14	014809	Hexagon nut M6 DIN 934	3
15	018666	Hexagon nut M6 DIN 936	4
16	018323	Countersunk screw M4x8 DIN 963	4
17	043891	Circlip A16 DIN 471	2
18	016439	Carrying strap Cobra	1
18	172201	Carrying strap Cobra Classic RAL3000	1
19	016442	Closing stopper Cobra/Python	1
20	019118	Stopper 25x25 x 11,5 black	1
21	016176	Rolling protection Cobra	1
21	172184	Rolling protection Cobra Classic RAL3000	1
22	016336	Slotted hole iron Cobra/Viper/Python	1
23	014731	Cylinder head screw M6x25 DIN 912	2
24	016441	Cylinder head screw M10x75 DIN 912	1
25	018264	Cylinder head screw M 6x35 DIN 912	3
26	014736	Cylinder head screw M8x30 DIN 912	1
27	014729	Cylinder head screw M 6x16 DIN 912	1
28	016432	Cylinder head screw M8x35 DIN 6912	1
29	053221	Stop plate stop bolt Cobra 09	1
30	014756	Countersunk screw M6x16 DIN 7991 10.9	2

## 1 Base support

---

Item no.	Article no.	Description	Quantity
31	014827	Washer M6 DIN 125 A	2
32	079023	Camp f.key SW 6	1
33	014957	Hexagonal screw key SW6 DIN 911	1
34	018765	Bushing 1212 DU	1

## 2 Belt tensioner, compl.



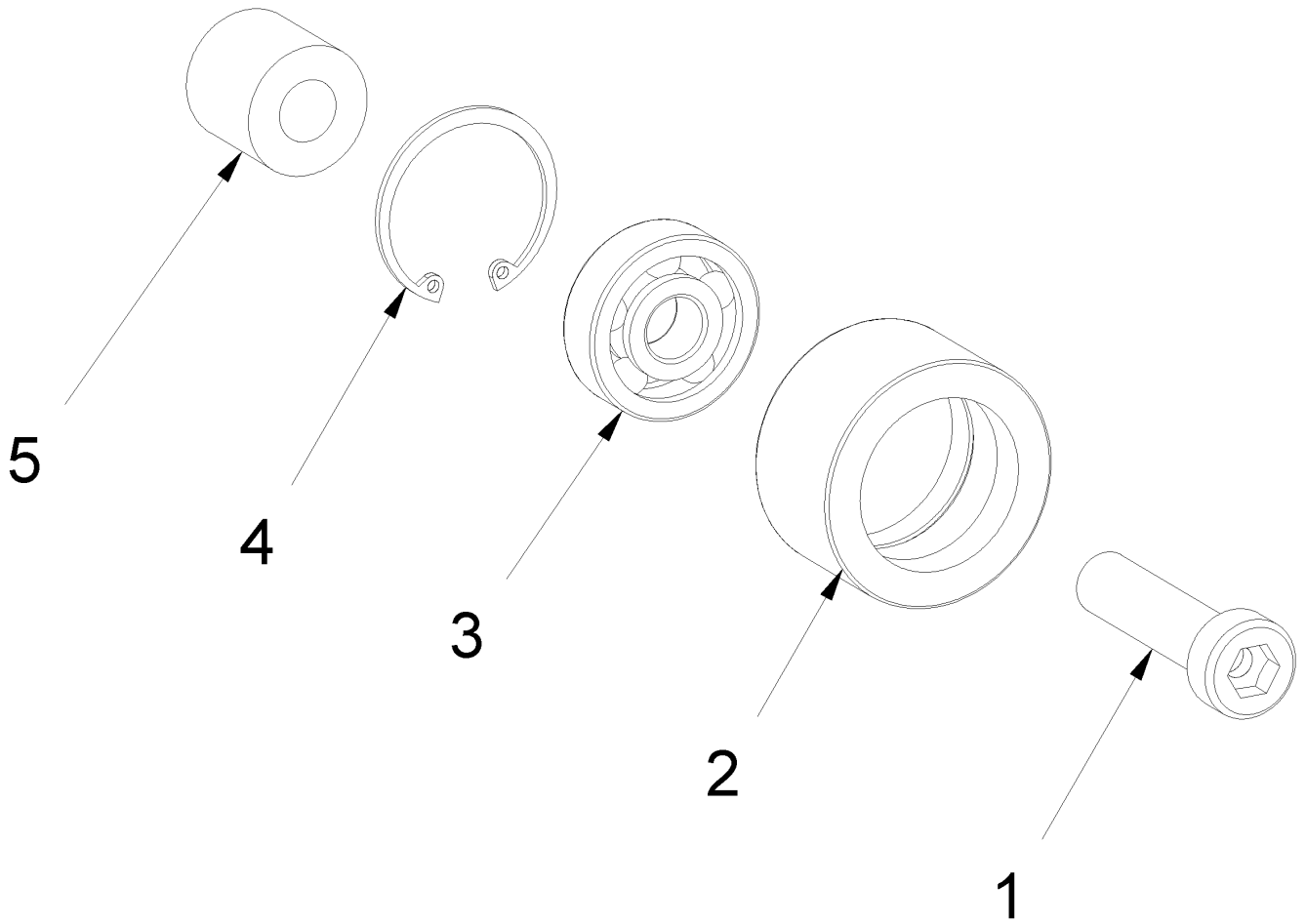


## 2 Belt tensioner, compl.

Item no.	Article no.	Description	Quantity
1	083884	Span roll holder	1
2	083879	Shaft with collar Tension pulley holder	1
3	017703	Countersunk screw M4x12 DIN 7991 10.9	4
4	052440	Arresting bolt	1
5	014829	Washer M10 DIN 125 A	2
6	049654	Cylinder head screw M10x25 DIN 912	1
7	083912	Knob cone 25mm SAM	1
8	014757	Countersunk screw M6x20 DIN 7991 10.9	1
9	052690	Distance bushing 21x10x8 Cobra 09	1
10	018302	Cylinder head screw M10x12 DIN 912	1
11	053318	Circlip I30 DIN 472	1
12	018353	Ball bearing 6200 2RS HS800	1
13	052468	Tension-/guide pulley Cobra 09	1
14	068574	Washer WC12DU 14x26x1,5	1
15	018737	Washer 8,4x24x2 DIN 9021 galv.	1
16	052487	Distance bushing Cobra 09	1
17	064322	Lag spring 5mm Cobra 09 Cobra 09	1
18	014790	Thread pin M8x35 DIN 913	1
19	014816	Hexagon nut M8 DIN 985	1
20	083934	Span roll holder	1

### 3 Belt deflection roller, compl.

---

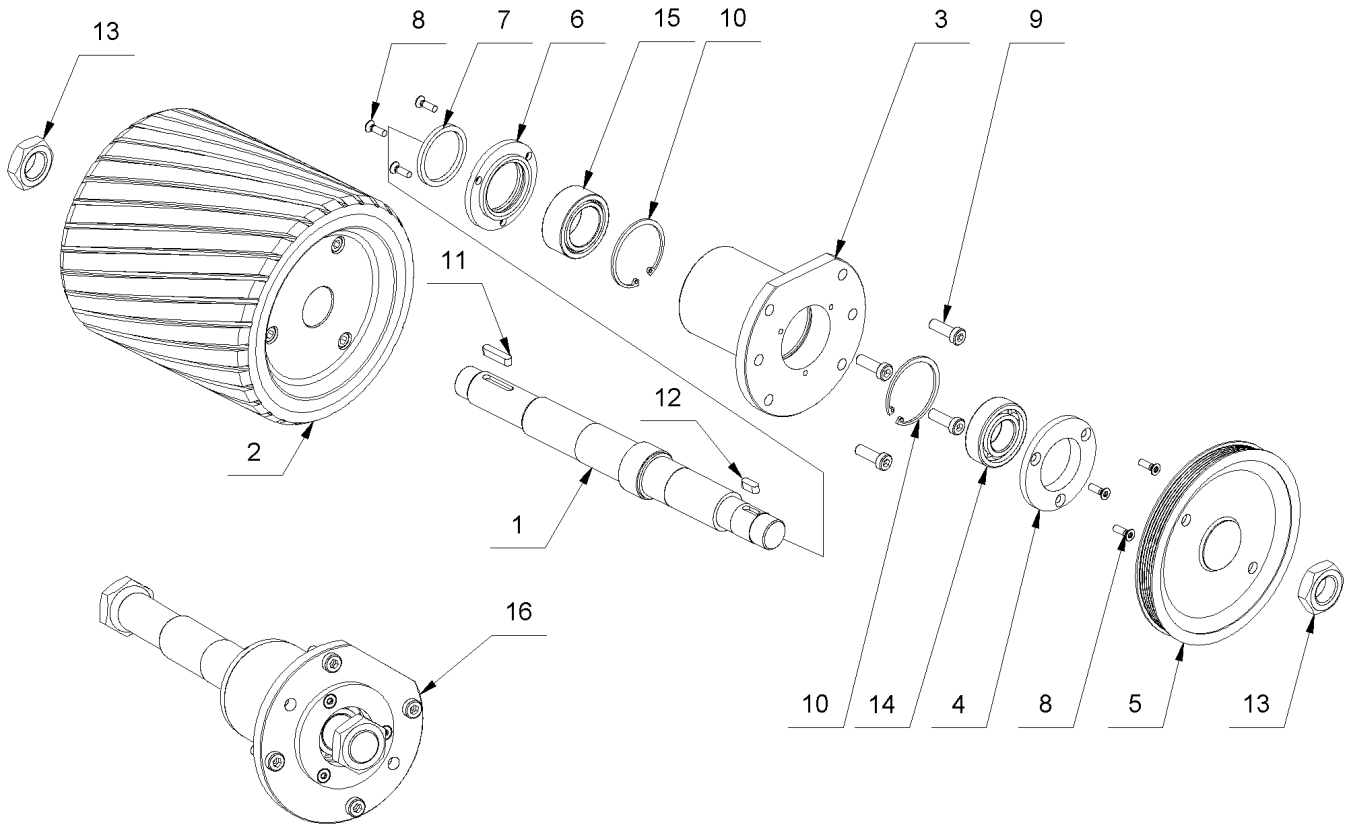


### 3 Belt deflection roller, compl.

---

Item no.	Article no.	Description	Quantity
1	043915	Cylinder Head Bolt M10x 40 DIN 6912	1
2	052468	Tension-/guide pulley Cobra 09	1
3	018353	Ball bearing 6200 2RS HS800	1
4	053318	Circlip I30 DIN 472	1
5	079805	Distance jack 21x10x19	1

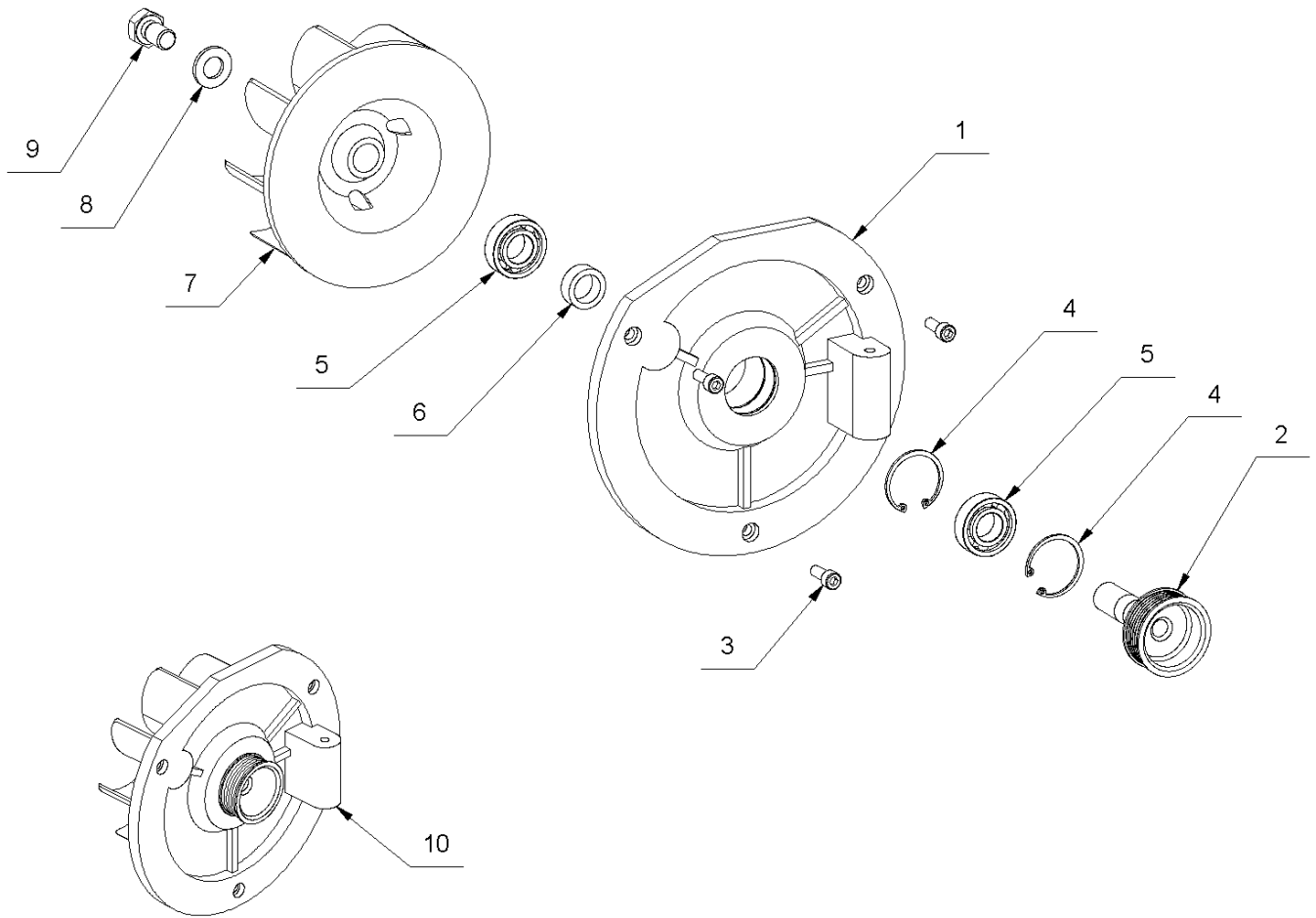
## 4 Sanding drum bearing



## 4 Sanding drum bearing

Item no.	Article no.	Description	Quantity
1	052470	Grinding roller shaft Cobra 09	1
2	013587	Grinding roller for Cobra	1
3	016364	Drum bearing flange Cobra	1
4	052482	Cover Cobra 09	1
5	052466	Belt pulley drum Cobra 09	1
6	016366	Inner drum cover Cobra	1
7	016188	Felt sealing ring Cobra/Viper/Python	1
8	080377	Countersunk screw M5x16 (Torx)	6
9	016365	Cylinder head screw M10x45 DIN 6912	4
10	014857	Safety washer I52 DIN 472	2
11	016361	Nut key 6x6x30 DIN 6885	1
12	016505	Nut key 6x6x16 DIN 6885	1
13	014614	Hexagon nut M24x1,5 DIN936	2
14	018348	Ball bearing 6205 2RS	1
15	016183	Ball bearing Cobra NA49/32 Cobra	1
16	053244	Roller bearing flange cpl.Cobra09/Class.	1

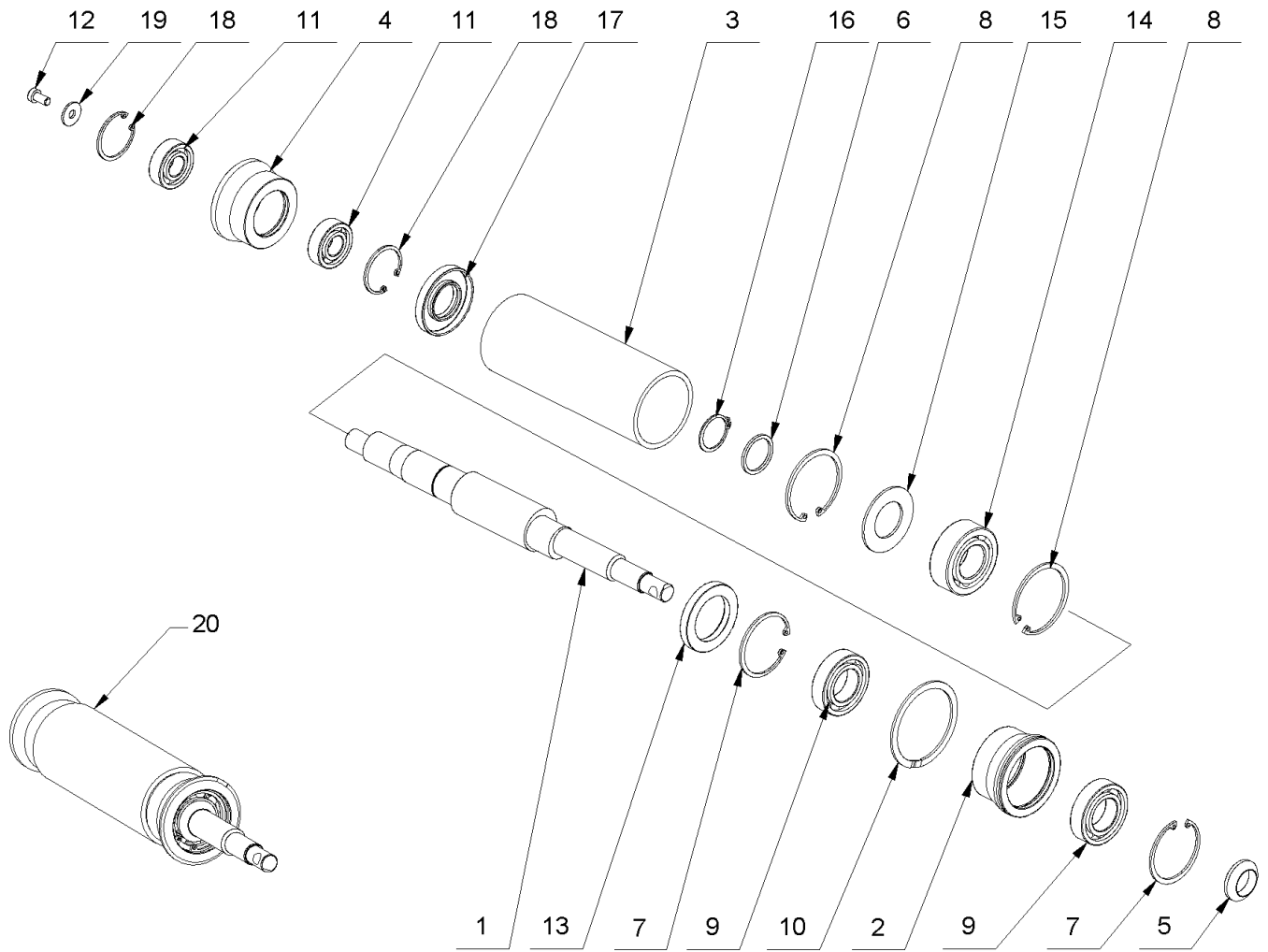
## 5 Fan flange, compl.



## 5 Fan flange, compl.

Item no.	Article no.	Description	Quantity
1	074569	Fan flange Cobra Classic	1
1	172187	Fan flange Cobra Classic RAL3 3000	1
2	052467	Belt pulley ventilator Cobra 09	1
3	014729	Cylinder head screw M 6x16 DIN 912	3
4	018091	Circlip I35 DIN472	2
5	018359	Ball bearing 6003 2RS	2
6	052491	Distance bushing ventilator Cobra 09	1
7	014599	Fan wheel Cobra	1
8	014830	Washer M12 DIN 125 A	1
9	017455	Hexagon screw M12x 20 DIN 933	1
10	078527	Fan flange cpl.Cobra Classic	1
10	172182	Fan flange cpl Cobra Classic bo-rent.nl	1

# 6 Tension roller

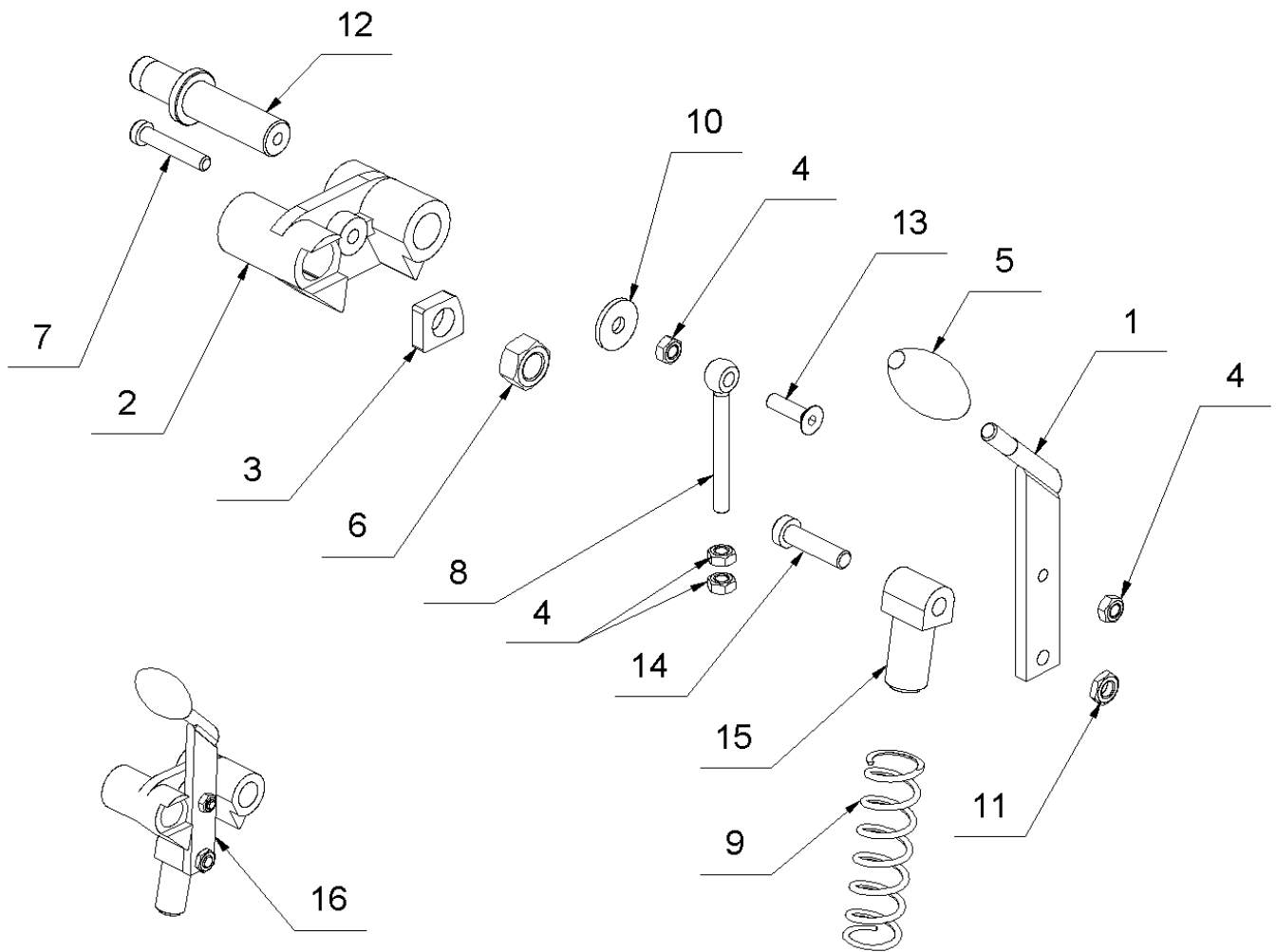




## 6 Tension roller

Item no.	Article no.	Description	Quantity
1	016189	Tension roller shaft Cobra	1
2	014625	Inner roll Cobra/Viper/Python	1
3	014629	Roller empty Viper / Cobra	1
4	014622	Outside roll Cobra/Viper/Python	1
5	016202	Adjustment ring Cobra/Python	1
6	016360	Washer 25x30x2 DIN 988	1
7	014855	Safety washer I47 DIN 472	2
8	014857	Safety washer I52 DIN 472	2
9	014704	Ball-bearing 6005 2RSH	2
10	166323	Safety washer XDNS 60-X	1
11	018351	Ball bearing 6202 2RS	2
12	055830	Cylinder head screw M6x12 DIN 7984	1
13	014628	Inner packing ring Vip/Cob/Pyth 35-52-10	1
14	016198	Swivel bearing 2205 2RS	1
15	043833	Lock washer DIN 137 - B27	1
16	014852	Safety washer A25 DIN 471	1
17	014634	Shaft seal Vip/Cob/Pyth 25-52-10	1
18	018091	Circlip I35 DIN472	2
19	017724	Washer DIN 9021 6,4x18x1,6	1
20	016845	Tension Roll new complete Cobra	1

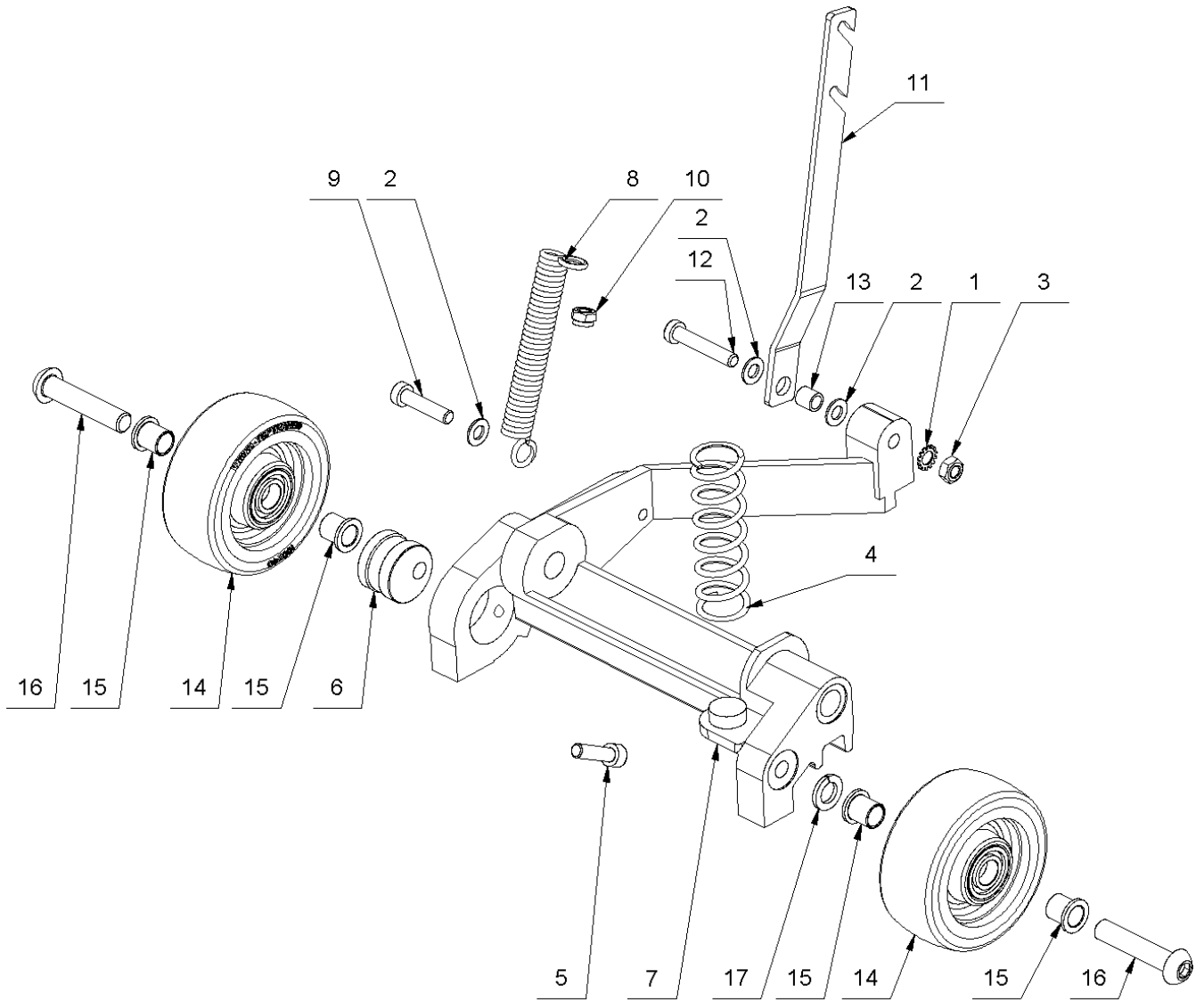
## 7 Tension roller bracket



## 7 Tension roller bracket

Item no.	Article no.	Description	Quantity
1	016342	Tension lever Cobra/Viper/Python	1
2	016338	Tension roller holder Cobra/Python	1
3	016190	Adjusting plate Cobra/Python	1
4	014810	Hexagon nut M 8 DIN 934 I6I/I8I	4
5	016180	Ball handle Cobra/Python/Viper	1
6	014620	Lock nut M16 DIN 934	1
7	016343	Cylinder head screw M10x45 DIN 6912	1
8	016347	Eye screw M8x80 special	1
9	016179	Pressure spring 30x100x3,5	1
10	043902	Washer 8,4x30 DIN 522	1
11	014811	Hexagon nut M 10 DIN 934	1
12	016345	Mounting bolt Cobra/Viper/Python	1
13	017116	Countersunk screw M8x30 10.9 DIN 7991	1
14	043915	Cylinder Head Bolt M10x 40 DIN 6912	1
15	016492	Pressure piece Cobra/Viper/Python	1
16	048500	Tension roller holder cpl. Cobra/Python	1

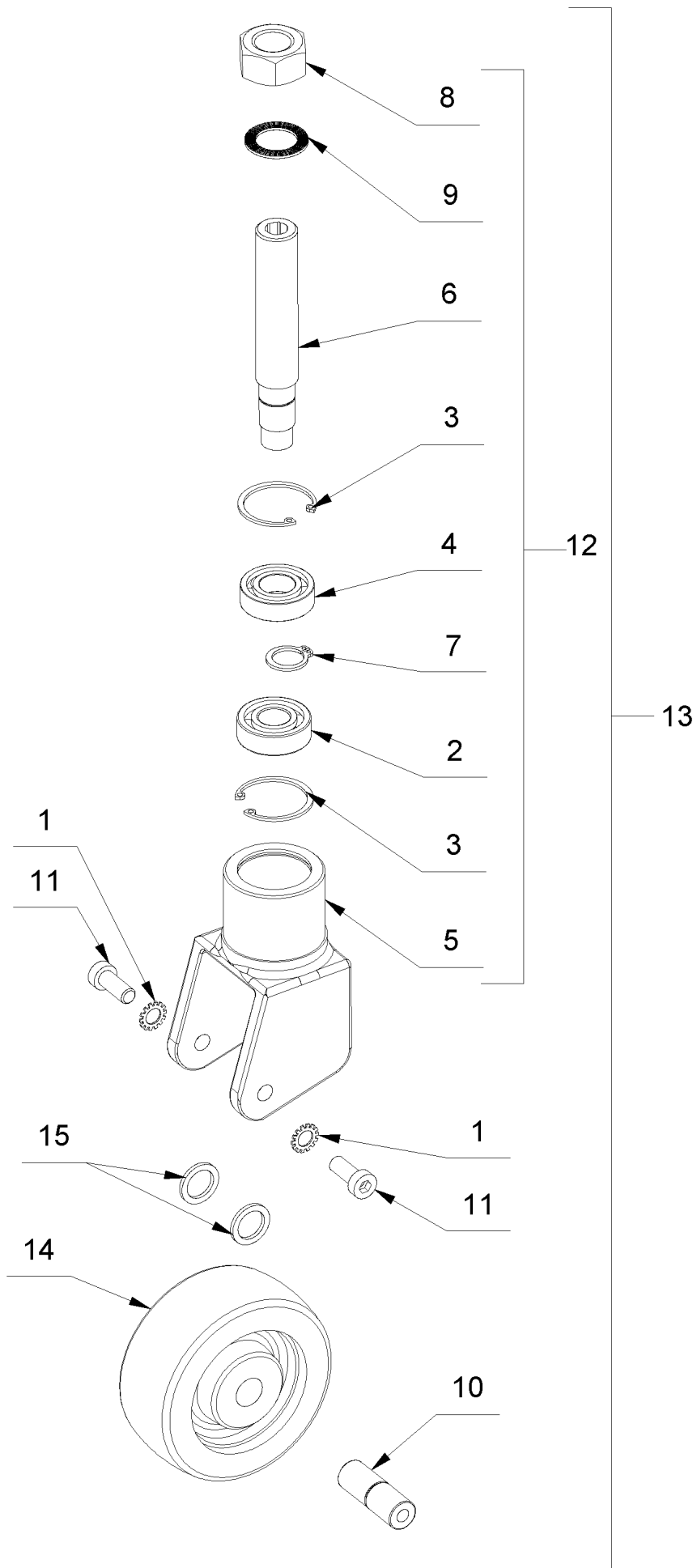
# 8 Carriage



## 8 Carriage

Item no.	Article no.	Description	Quantity
1	016321	Spring washer A 8,4 DIN 6798	1
2	014828	Washer M8 DIN 125 A	3
3	014810	Hexagon nut M 8 DIN 934 I6I/I8I	1
4	016179	Pressure spring 30x100x3,5	1
5	014736	Cylinder head screw M8x30 DIN 912	1
6	016425	Eccentric cam with thread Cobra	1
7	016428	Chassis lever Cobra	1
8	016175	Tension spring Cobra	1
9	016430	Cylinder head screw M8x35 DIN 6912	1
10	014816	Hexagon nut M8 DIN 985	1
11	016434	374/67 Connecting piece Cobra	1
12	016343	Cylinder head screw M10x45 DIN 6912	1
13	016437	Distance bushing Cobra	1
14	074349	Wheel Ø98mm Cobra	2
15	074350	Bushing 20x12,1x17	4
16	074347	Lens screw M12x60 ISO7380/1	2
17	016424	Spring washer 12 DIN 127	1

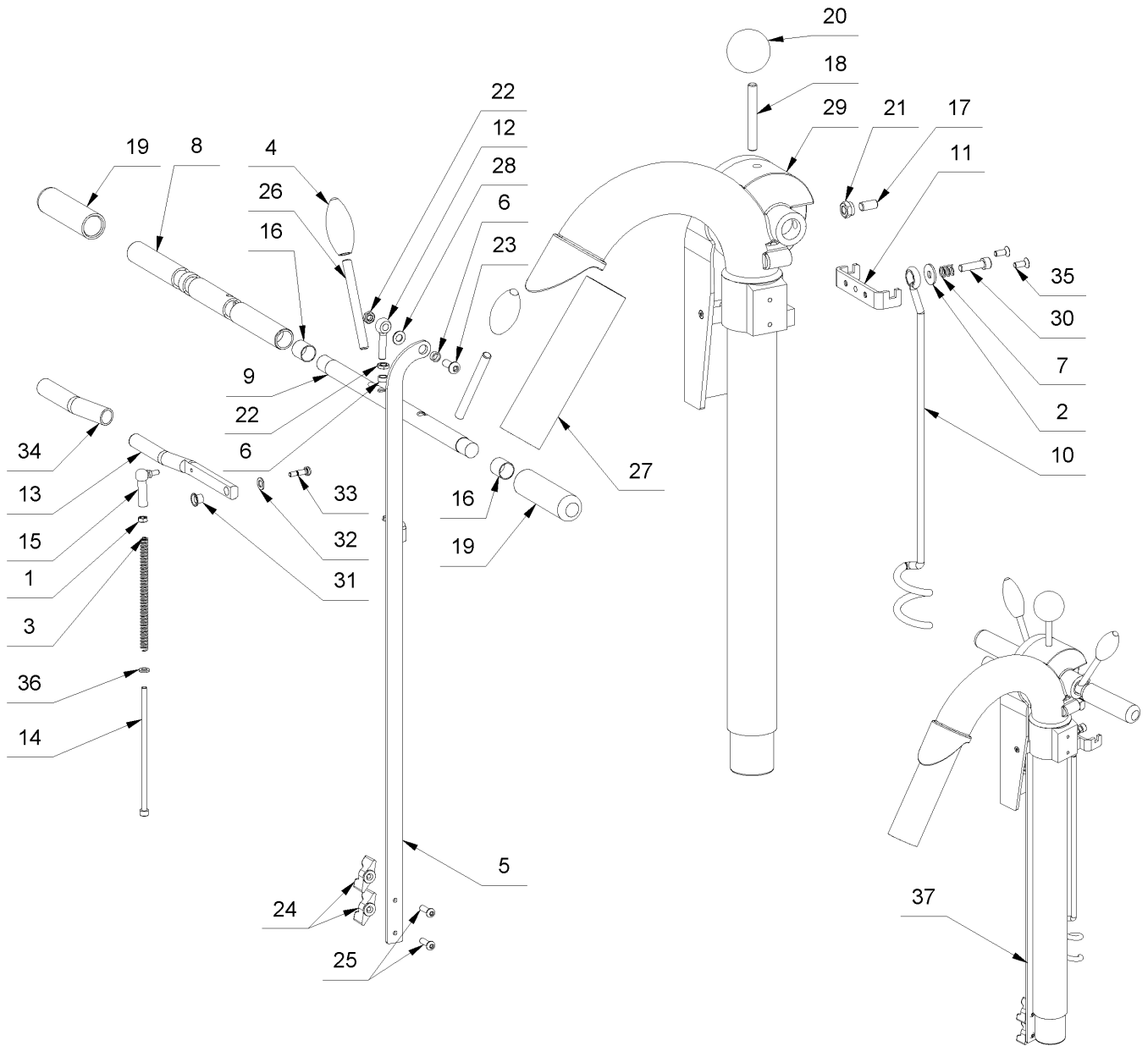
# 9 Caster



## 9 Caster

Item no.	Article no.	Description	Quantity
1	016321	Spring washer A 8,4 DIN 6798	2
2	018351	Ball bearing 6202 2RS	1
3	018091	Circlip I35 DIN472	2
4	018359	Ball bearing 6003 2RS	1
5	016406	Steering wheel fork Cobra/Viper/Python	1
6	016410	Casting shaft Cobra/Python	1
7	014850	Safety washer A17 DIN 471	1
8	039981	Hexagon nut M20x1,5 DIN 934	1
9	074979	Washer M20	1
10	014601	Caster wheel Cobra/Viper/Python	1
11	016413	Cylinder head screw M6x150 DIN 912	2
12	047064	Steering wheel fork without wheel Cobra	1
13	074570	Steering wheel w.fork cpl.Cobra Classic	1
14	074349	Wheel Ø98mm Cobra	1
15	074346	Shim ring 15x21x2 DIN 988	2

# 10 Handle





## 10 Handle

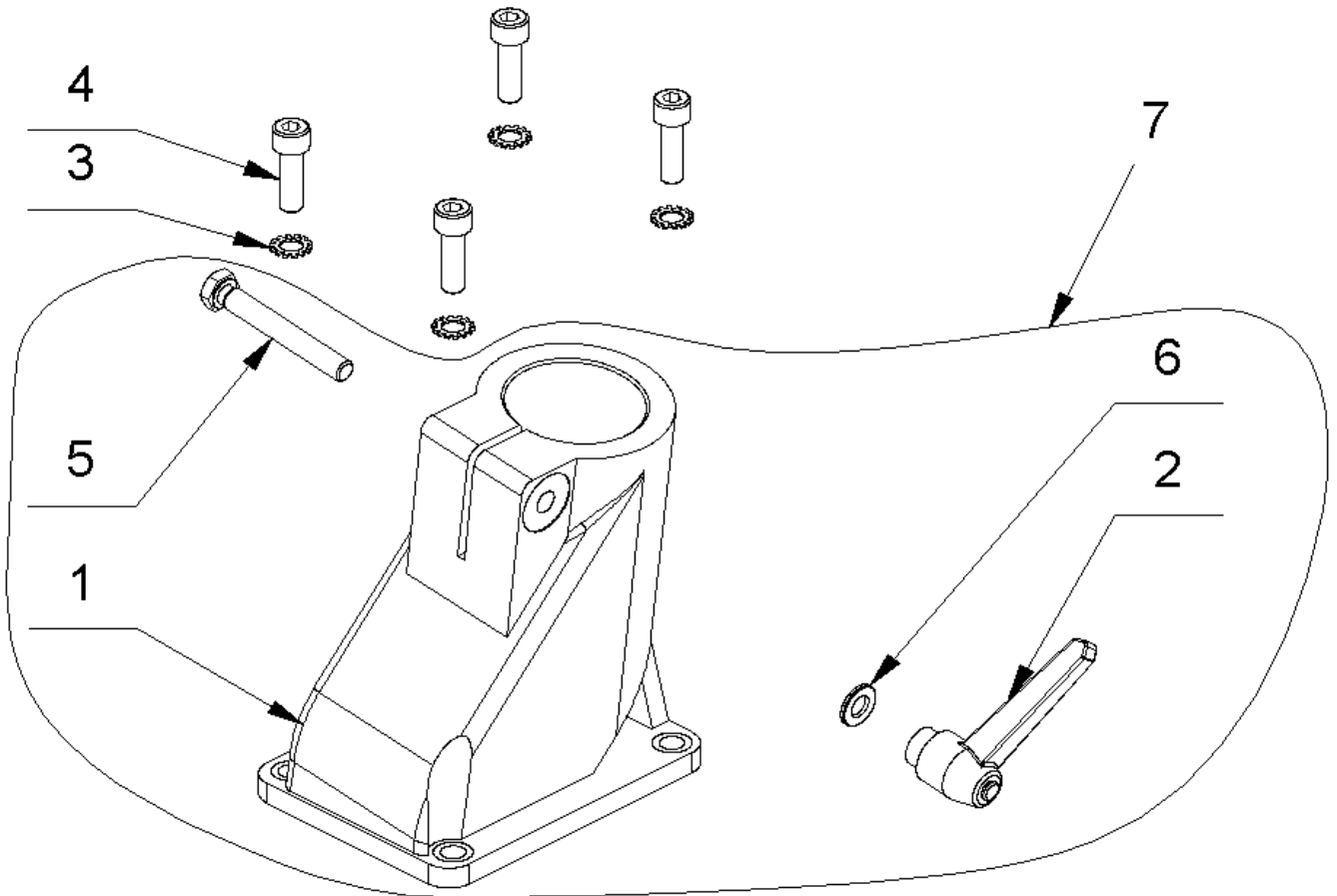
Item no.	Article no.	Description	Quantity
1	014809	Hexagon nut M6 DIN 934	1
2	018737	Washer 8,4x24x2 DIN 9021 galv.	1
3	016638	Pressure spring 9x167x1,2	1
4	016180	Ball handle Cobra/Python/Viper	2
5	082666	Tie rod 595 Cobra Classic	1
6	016437	Distance bushing Cobra	2
7	043827	Pressure spring 13x20x1,5	1
8	047301	Grip pipe Cobra	1
9	047304	Shaft for sinking Cobra	1
10	014548	Cable arm long Viper	1
11	016521	Cable support Cobra/Viper/Python	1
12	047216	Eye screw M8x40 DIN 444	1
13	016628	Lifting grip Cobra	1
14	016673	Cylinder head screw M6x150 DIN 912	1
15	016632	Angle joint Cobra/Viper/Python	1
16	047218	Bushing 1820	2
17	018216	Headless pin M10x20 DIN 913	1
18	014788	Stud bolt M10x60 DIN 835-8.8	1
19	047310	Grip covering Magura	2
20	047220	Ball button 50mm M10	1
21	014817	Hexagon nut M10 DIN 985	1
22	017676	Hexagon nut M8 DIN 936	2
23	047385	Lens head screw M8x20	1
24	047796	Wing nut M6 plastic	2
25	018706	Lens head screw M6x20	2
26	016404	Lever pin Cobra / Viper	2
27	047208	Suction nozzle Cobra	1
28	014828	Washer M8 DIN 125 A	1
29	077095	SteeringFH 2HD 595 CobraClassic	1
30	014736	Cylinder head screw M8x30 DIN 912	1
31	019086	Bushing BB 0810	1
32	078449	Shim washer 8x14x1,2 DIN 988	1
33	053781	Screw M 6x12 DIN 7379	1
34	082068	PVC-hand grip Wega black	1

## 10 Handle

---

Item no.	Article no.	Description	Quantity
35	014756	Countersunk screw M6x16 DIN 7991 10.9	2
36	014827	Washer M6 DIN 125 A	1
37	074562	Guidance cpl.Cobra Classic	1

# 11 Dust Pipe support, compl. w/o castor

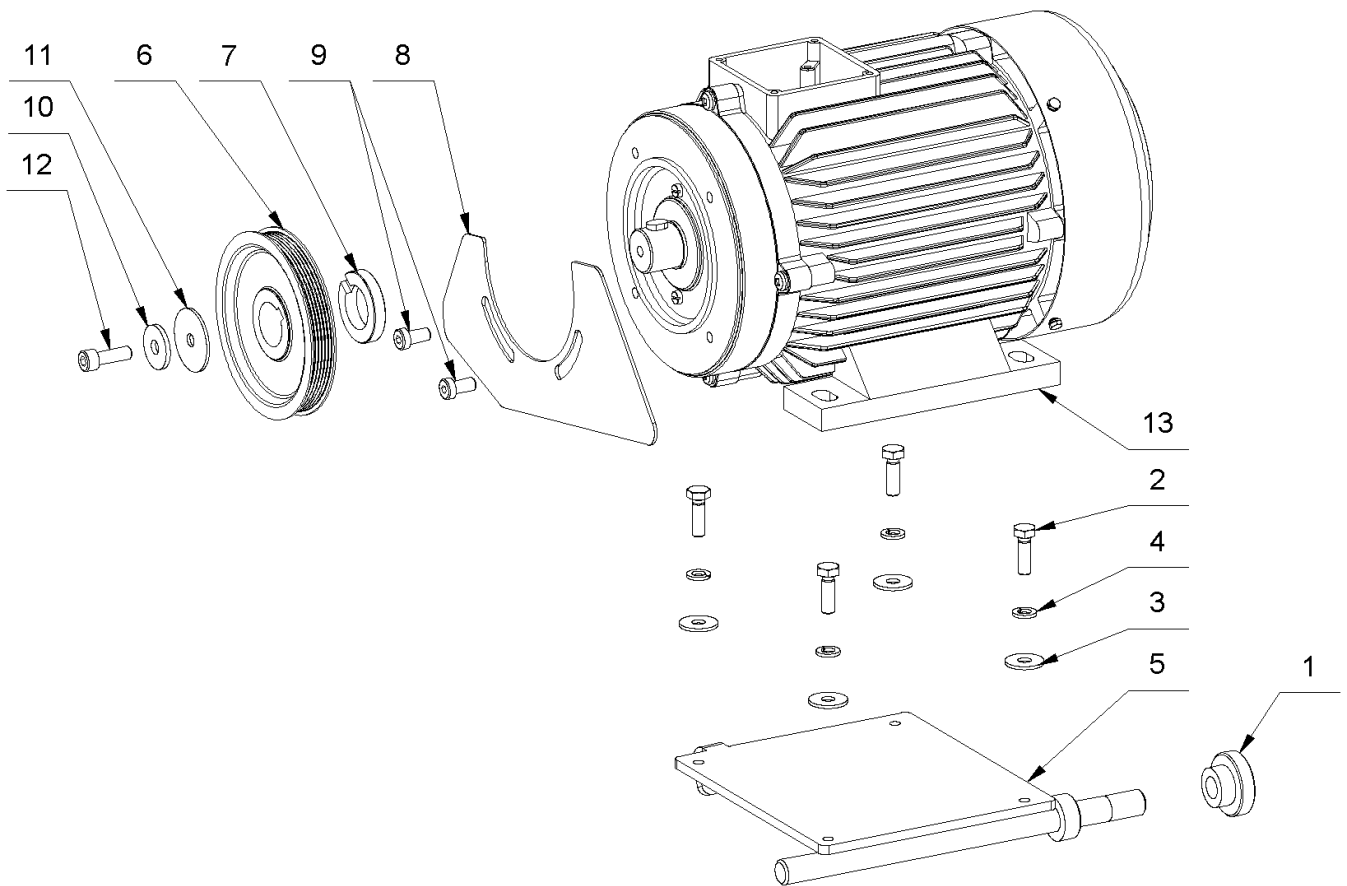


## 11 Dust Pipe support, compl. w/o castor

---

Item no.	Article no.	Description	Quantity
1	047307	Dust pipe support 7° Cobra	1
1	172185	Dust pipe support 7° Cobra red	1
2	014877	Clamping lever M8 Duro	1
3	016321	Spring washer A 8,4 DIN 6798	4
4	014735	Cylinder head screw M8x25 DIN 912	4
5	047213	Hexagonal screw M 8x60 DIN 933	1
6	014828	Washer M8 DIN 125 A	1
7	048702	Steering Base compl.	1

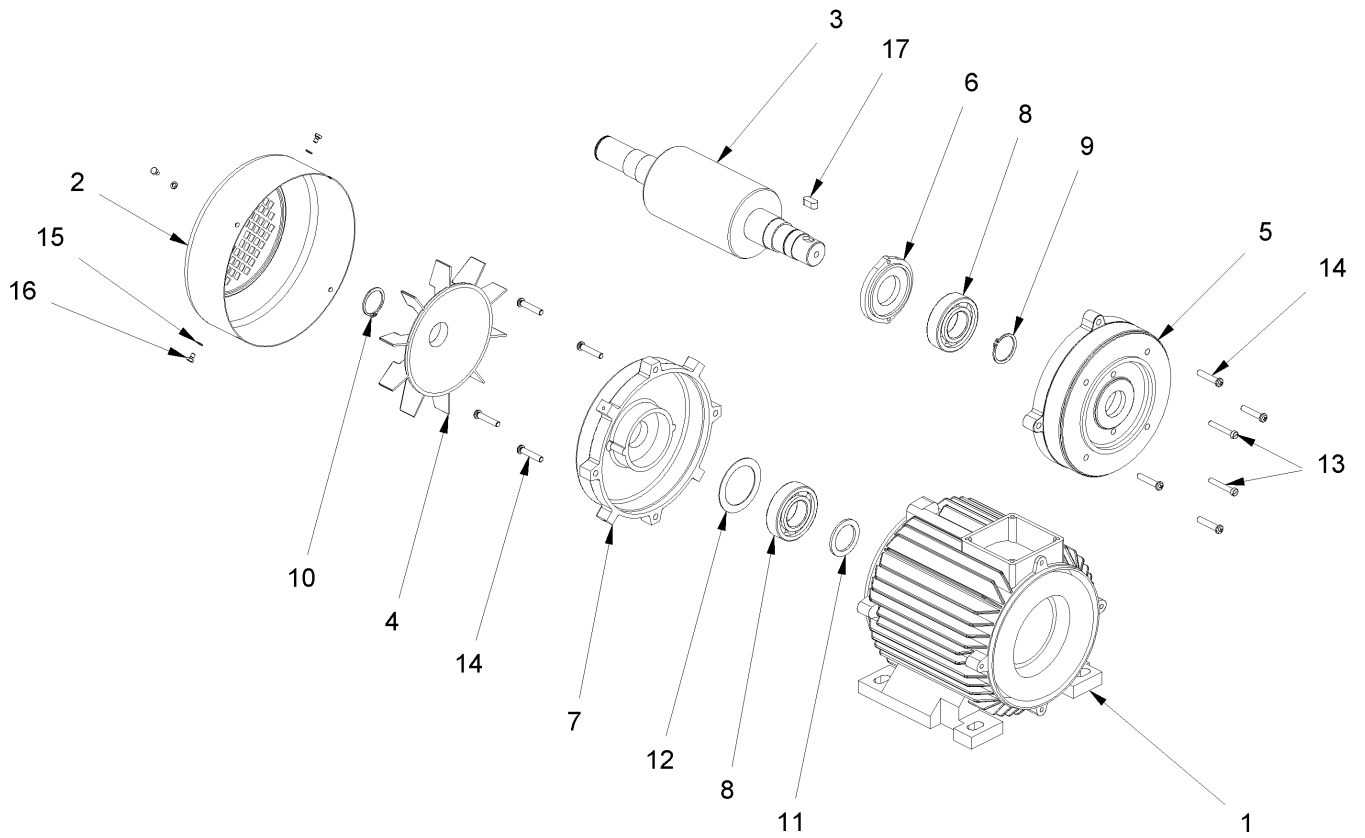
## 12 Motor 2,5kW



## 12 Motor 2,5kW

Item no.	Article no.	Description	Quantity
1	016603	Knurled nut M16 Cobra	1
2	014775	Hexagon bolt M 8x25 DIN 933	4
3	018737	Washer 8,4x24x2 DIN 9021 galv.	4
4	016455	Spring washer 8 DIN 127	4
5	078531	Motor base Frank Cobra Classic	1
6	052462	Belt pulley motor Cobra 09	1
7	077386	Distance ring Motor FrankCobraClassic	1
8	077051	Sheet metal shielding FrankCobraClassic	1
9	043918	Cylinder head screw M8x16 DIN 7984	2
10	016612	Washer 9 DIN 440	1
11	043903	Washer 8,4x40x1,5 DIN 522	1
12	014735	Cylinder head screw M8x25 DIN 912	1
13	078515	Motor Dietz 2,5KW without cut-out	1

# 13 Motor Dietz 2,5KW without cut-out

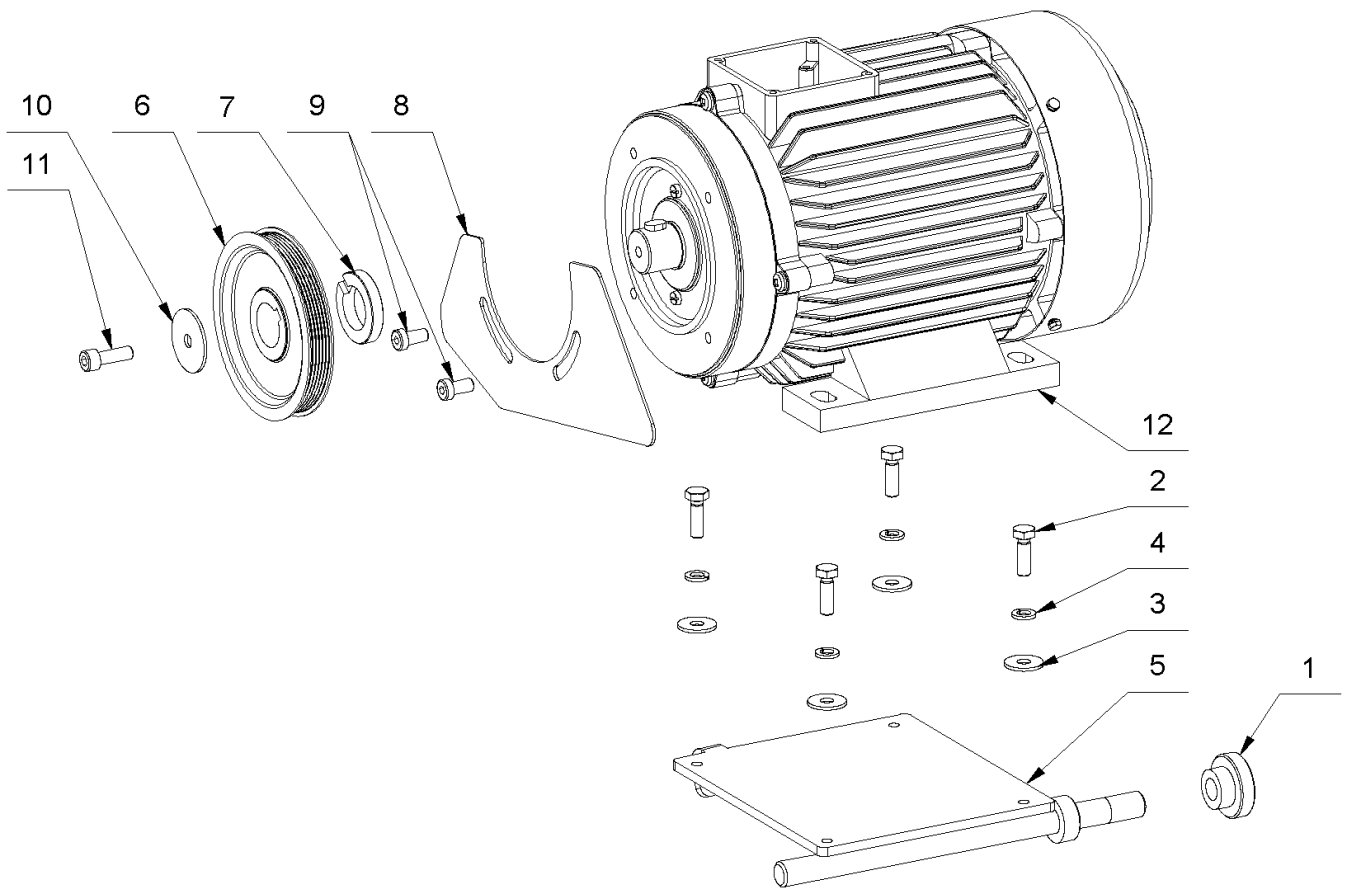


### 13 Motor Dietz 2,5KW without cut-out

Item no.	Article no.	Description	Quantity
1	043909	Front bearing cover Cobra	1
2	043906	Fan cover DIETZ 2,5 KW	1
3	043867	Rotor w.shaft axleCobra/Python2,5kW/50Hz	1
4	043860	Motor fan DIETZ 2,5 KW	1
5	043896	Motor housing w.stCobra/Python2,5kW/50Hz	1
6	043847	Bearing cover	1
7	043840	Rear bearing cover	1
8	043845	Ball bearing 6206 2RS	2
9	014853	Safety washer A30 DIN 471	1
10	043893	Safety washer A28 DIN 471	1
11	043824	Spacer 42x30x2,5	1
12	043913	Ring(85.01)	1
13	043920	Cylinder screw M5x35 DIN 84	2
14	014804	Lens head screw M4x10 DIN 7985	8
15	043830	Spring washer 4 DIN 127	4
16	043887	Hexagon Screw M 4x 6 DIN 933	4
17	043862	Drum Parallel Key DIN 6885 8x7x14	1



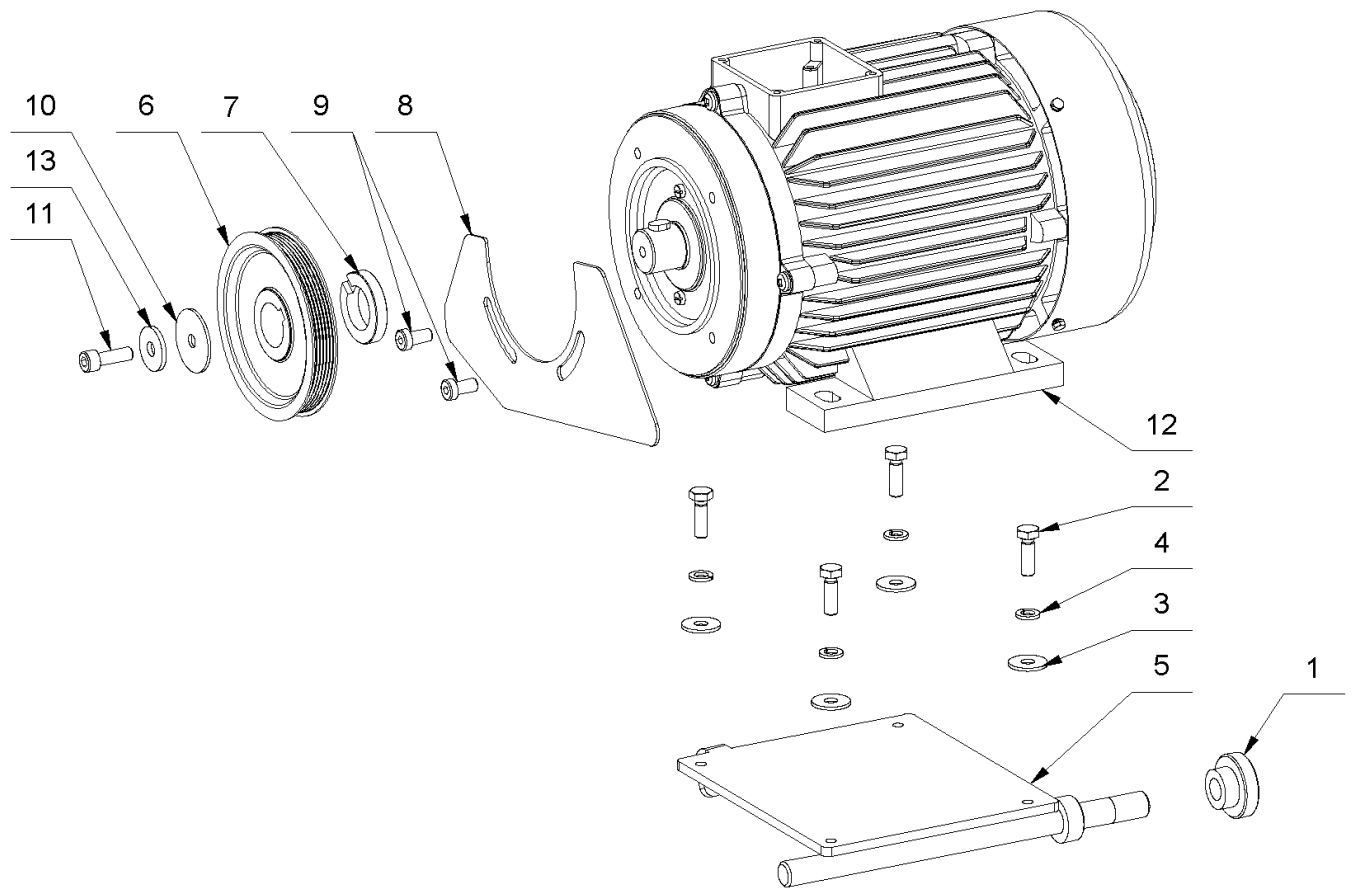
## 12 Motor 3,2kW



## 12 Motor 3,2kW

Item no.	Article no.	Description	Quantity
1	016603	Knurled nut M16 Cobra	1
2	014775	Hexagon bolt M 8x25 DIN 933	4
3	018737	Washer 8,4x24x2 DIN 9021 galv.	4
4	016455	Spring washer 8 DIN 127	4
5	078531	Motor base Frank Cobra Classic	1
6	052462	Belt pulley motor Cobra 09	1
7	077386	Distance ring Motor FrankCobraClassic	1
8	077051	Sheet metal shielding FrankCobraClassic	1
9	043918	Cylinder head screw M8x16 DIN 7984	2
10	043903	Washer 8,4x40x1,5 DIN 522	1
11	014735	Cylinder head screw M8x25 DIN 912	1
12	078563	Motor Dietz 3,2kW without cut-out AUS	1

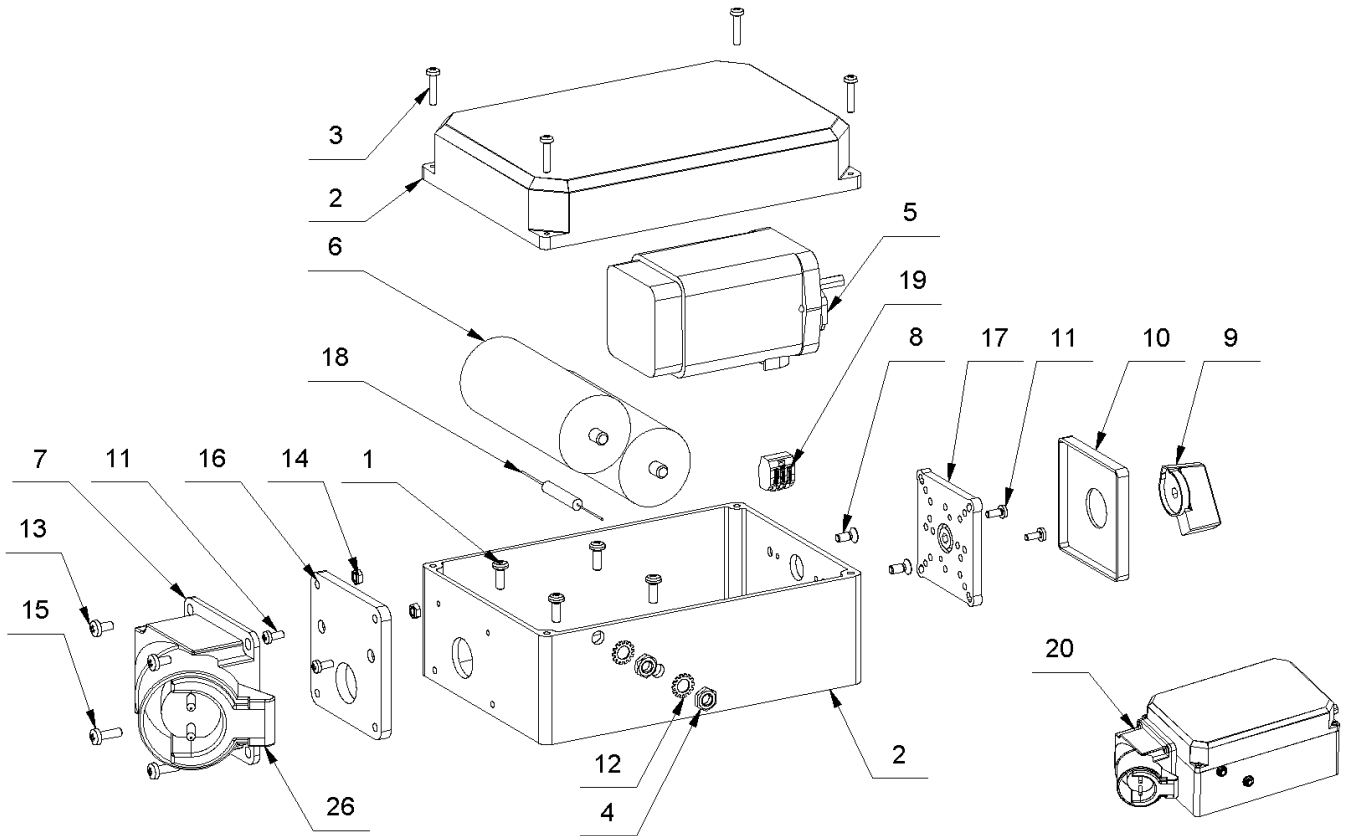
# 12 Motor 4kW



## 12 Motor 4kW

Item no.	Article no.	Description	Quantity
1	016603	Knurled nut M16 Cobra	1
2	014775	Hexagon bolt M 8x25 DIN 933	4
3	018737	Washer 8,4x24x2 DIN 9021 galv.	4
4	016455	Spring washer 8 DIN 127	4
5	078531	Motor base Frank Cobra Classic	1
6	052462	Belt pulley motor Cobra 09	1
7	077386	Distance ring Motor FrankCobraClassic	1
8	077051	Sheet metal shielding FrankCobraClassic	1
9	043918	Cylinder head screw M8x16 DIN 7984	2
10	043903	Washer 8,4x40x1,5 DIN 522	1
11	014735	Cylinder head screw M8x25 DIN 912	1
12	079016	Motor Dietz 4KW/50Hz/400V	1
13	016612	Washer 9 DIN 440	1

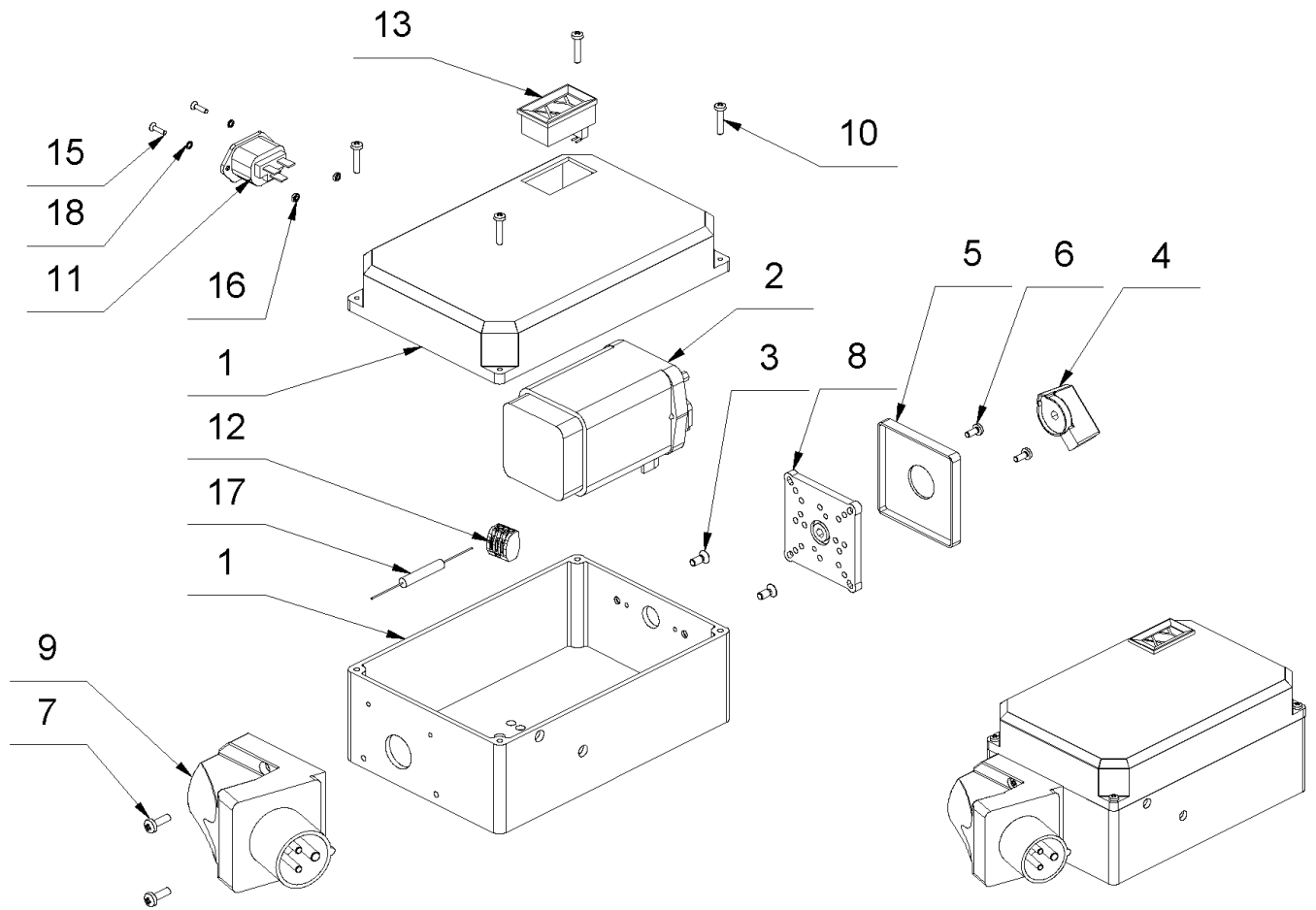
# 13 Switch box 2,5kW



## 13 Switch box 2,5kW

Item no.	Article no.	Description	Quantity
1	049052	Self-tapping screw M5x16 DIN 7500	4
2	014542	314/76.94Switch box complete Viper empty	1
3	014805	Lens screw M 4x20 DIN 7985	4
4	017676	Hexagon nut M8 DIN 936	2
5	043869	Switch NR152678 Cobra	1
6	043843	Start Capacitor 60 µF Ducati	2
7	048551	Plug for wall new to 1.7.2007 16 A	1
8	043890	Countersink bolt M5x12 DIN 965	2
9	043875	Switch Knob	1
10	043877	Plate for switch Cobra	1
11	014804	Lens head screw M4x10 DIN 7985	4
12	016321	Spring washer A 8,4 DIN 6798	2
13	015504	Lens head screw M5x10 DIN 7985	2
14	017773	Hexagon nut M5 DIN 934	2
15	048507	lens head screw M5x16 DIN 7985	2
16	074382	Flange f. Plug for wall 16A	1
17	077217	Front panel f.switch box	1
18	063263	discharge resistor Cobra 09	1
19	050145	Connection terminal 3-fold	1
20	048631	Switch box + switch for 2,5Kw	1
26	049327	Strain relief clamp Viper/Cobra	1

# 13 Switch box 2,5kW CH

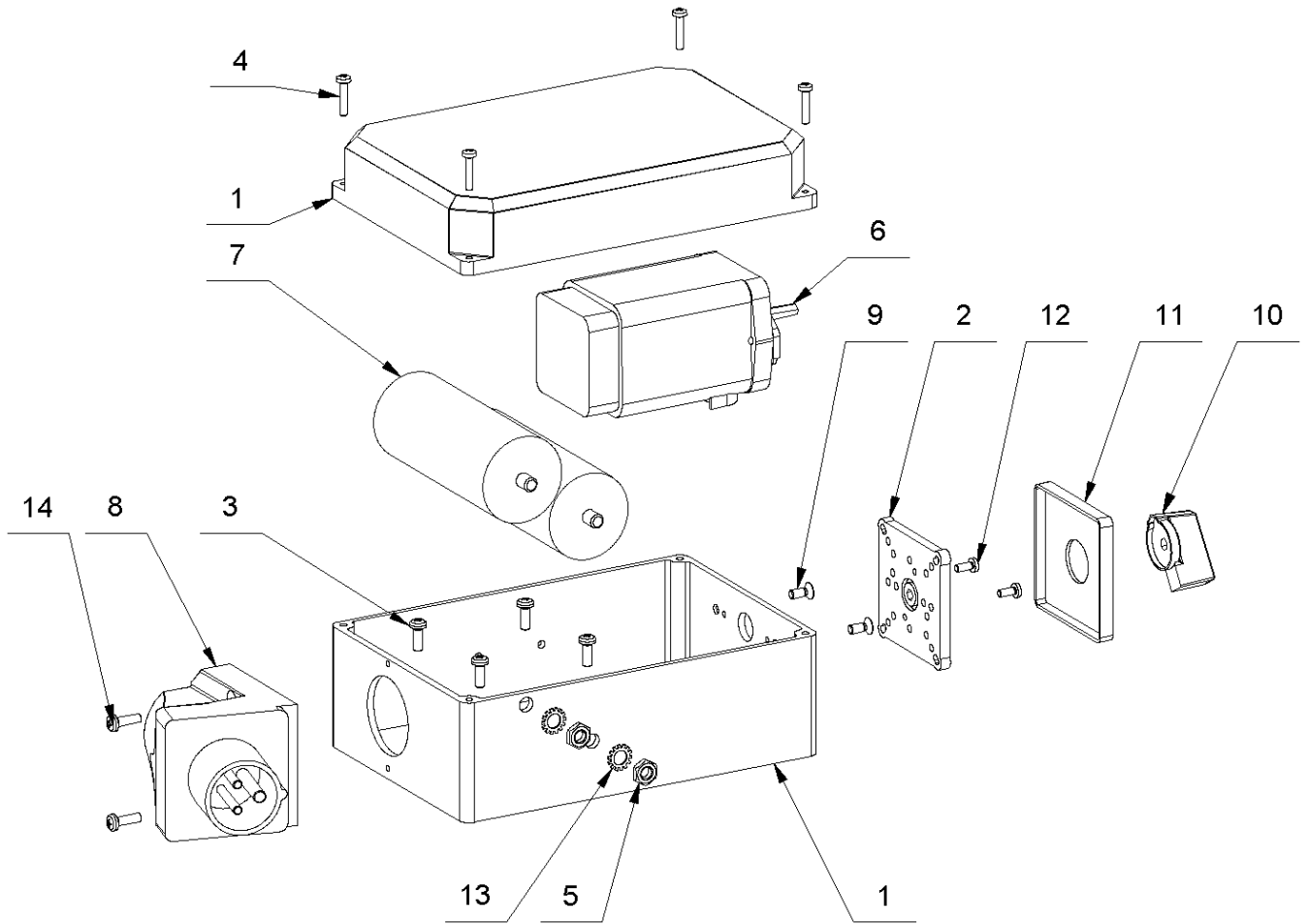


## 13 Switch box 2,5kW CH

Item no.	Article no.	Description	Quantity
1	078607	Switch housing CH	1
2	043869	Switch NR152678 Cobra	1
3	043890	Countersink bolt M5x12 DIN 965	2
4	043875	Switch Knob	1
5	043877	Plate for switch Cobra	1
6	014804	Lens head screw M4x10 DIN 7985	2
7	048507	lens head screw M5x16 DIN 7985	2
8	077217	Front panel f.switch box	1
9	043911	Electrical plug/wall blue 16A 3pole	1
10	014805	Lens screw M 4x20 DIN 7985	4
11	078647	Inallation socket Cobra Classic	1
12	050145	Connection terminal 3-fold	1
13	078606	Digital meter Cobra Classic CH	1
14	080764	Protection stopper Ø 6,6	5
15	018331	Countersunk screw M3x12 DIN 7991 10.9	2
16	017629	Hexagon nut M3 DIN 934	2
17	063263	discharge resistor Cobra 09	1
18	017772	Schnorr washer M3	2
o.Abb.	010299	Cable set motor voltmeter Cobra Clas.CH	1



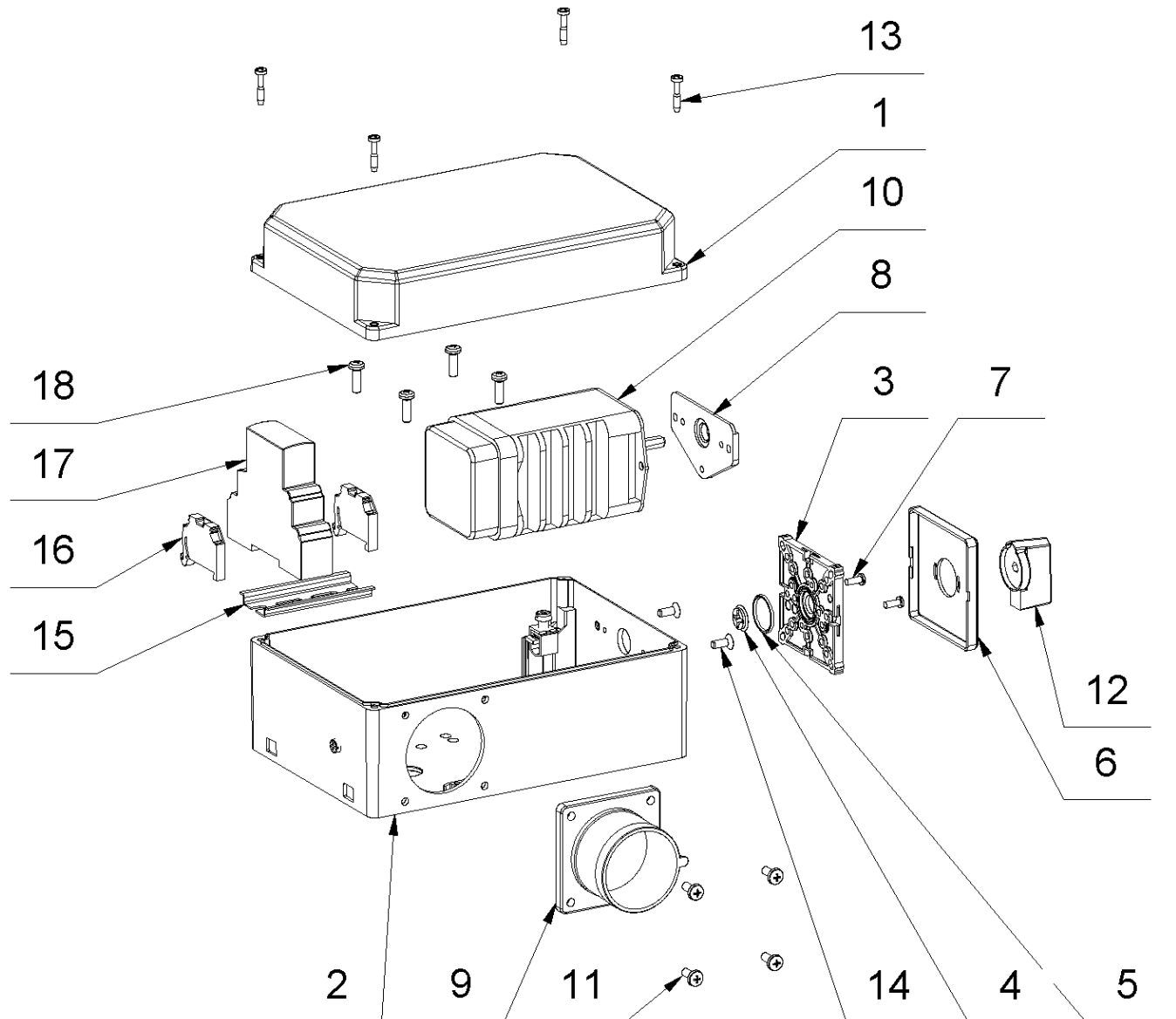
# 13 Switch box 3,2kW



## 13 Switch box 3,2kW

Item no.	Article no.	Description	Quantity
1	048534	Switch housing unfinished CH	1
2	077217	Front panel f.switch box	1
3	043835	Self-tapping screw M5x14 DIN 7500	4
4	014805	Lens screw M 4x20 DIN 7985	4
5	017676	Hexagon nut M8 DIN 936	2
6	049068	Swich insert 308682 Bosch	1
7	043843	Start Capacitor 60 µF Ducati	2
8	043911	Electrical plug/wall blue 16A 3pole	1
9	043890	Countersink bolt M5x12 DIN 965	2
10	043875	Switch Knob	1
11	043877	Plate for switch Cobra	1
12	014804	Lens head screw M4x10 DIN 7985	2
13	016321	Spring washer A 8,4 DIN 6798	2
14	049052	Self-tapping screw M5x16 DIN 7500	2

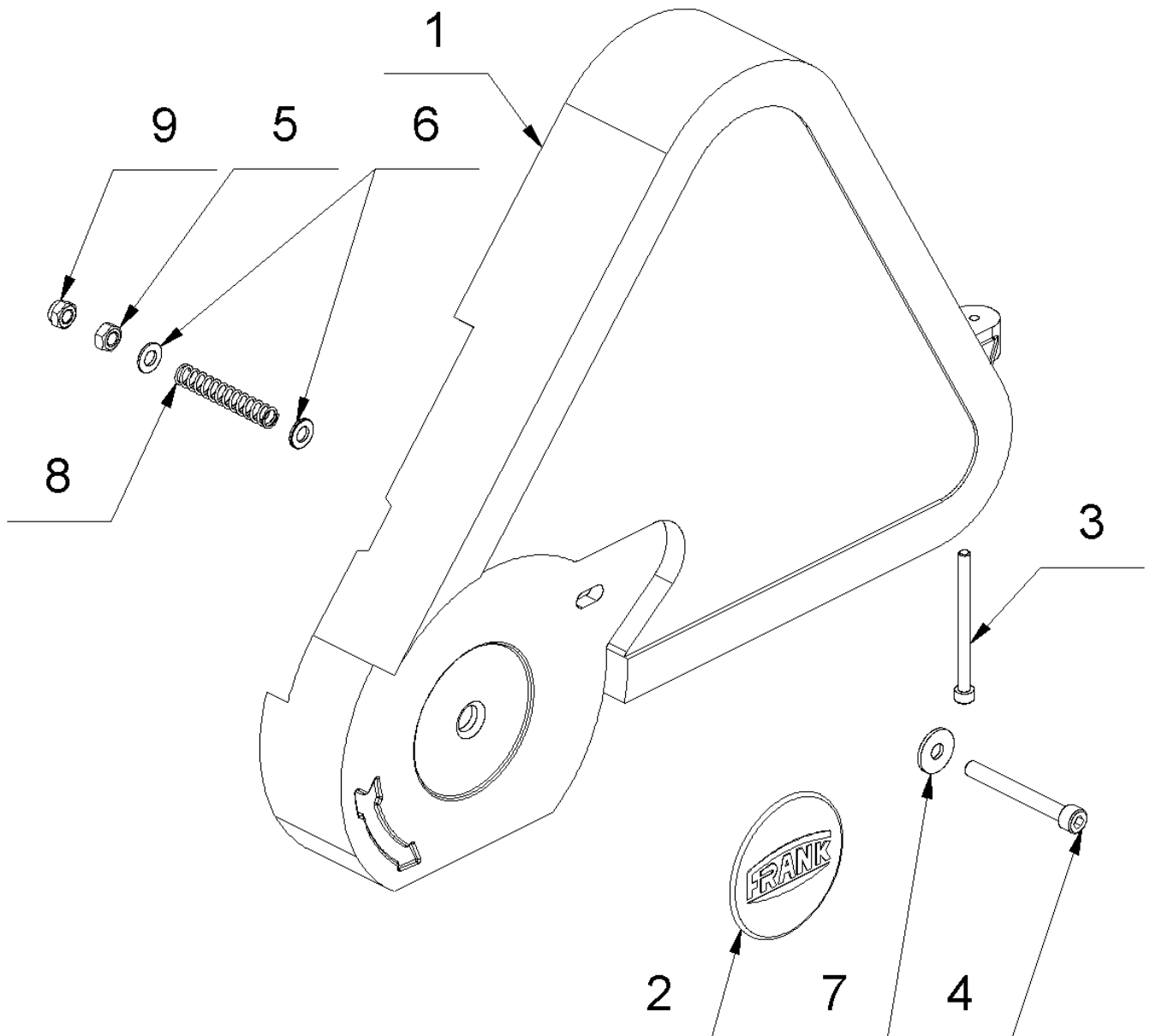
# 13 Switch box 4kW



## 13 Switch box 4kW

Item no.	Article no.	Description	Quantity
1		Cover	1
2		Housing	1
3		Front panel	1
4		Axle bushing clamping ring	1
5		Seal	1
6		Front shield	1
7		Srew M4x10	2
8		Seal	1
9		Turning device plug	1
10		Switch 4 kW	1
11	040068	Self-tapping screw M5x12 DIN 7500	4
12	043875	Switch Knob	1
13		Srew	4
14	043890	Countersink bolt M5x12 DIN 965	2
15	080112	Top hat rail 75 mm	1
16	071895	Top hat rail unclamp 6mm	2
17	078446	Phase relays Python Classic	1
18	049052	Self-tapping screw M5x16 DIN 7500	4

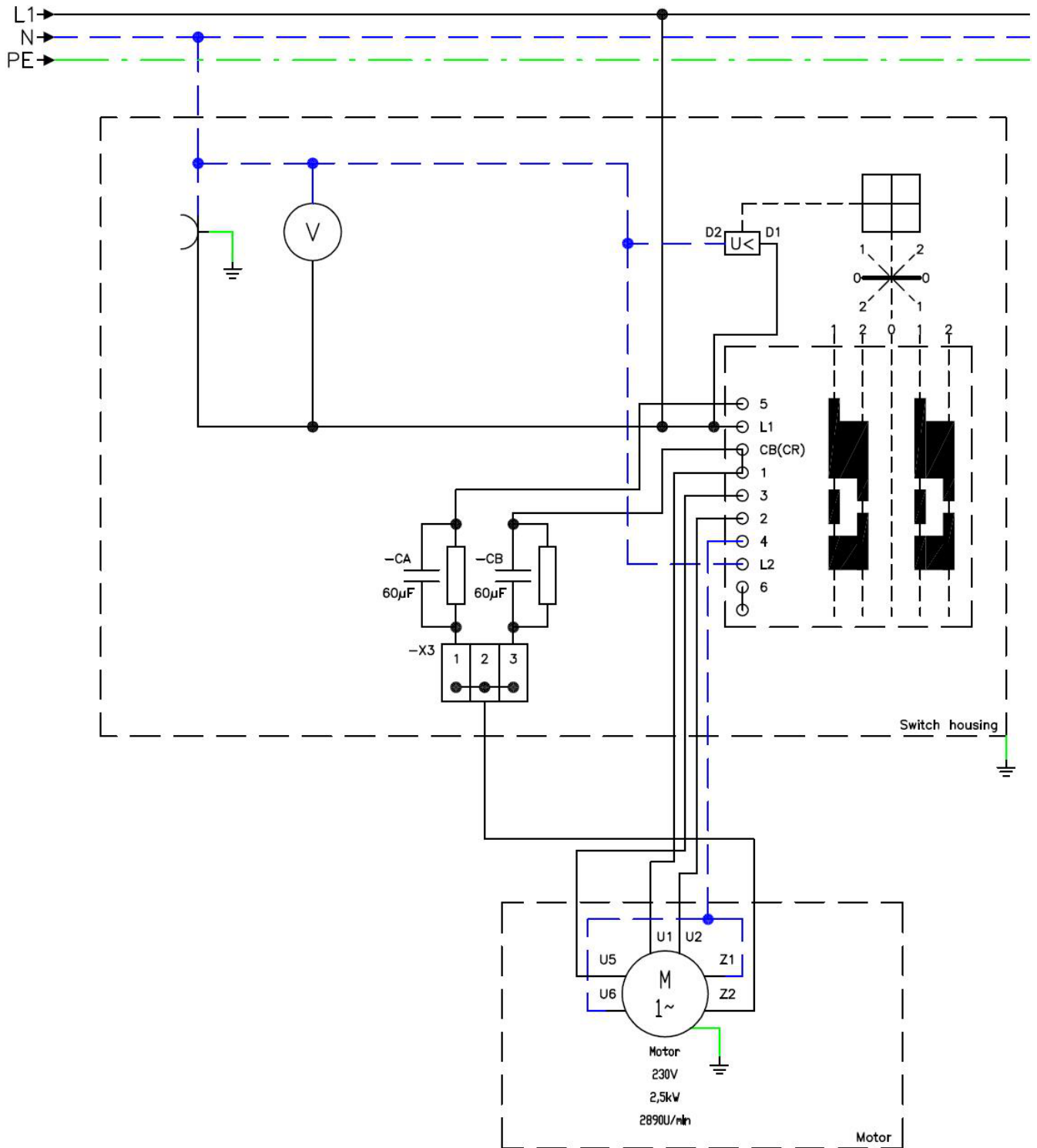
## 14 Belt protection hood



## 14 Belt protection hood

Item no.	Article no.	Description	Quantity
1	074616	Belt protection hood CobraCla./PythonCla	1
1	172180	Belt guard Cobra Classic RAL3000	1
2	137491	Label Frank 3D Ø80mm	1
3	077311	Cylinder head screw M 6x 80 DIN 912	1
4	018250	Cylinder head screw M8x70 DIN 912	1
5	014810	Hexagon nut M 8 DIN 934 I6I/I8I	1
6	014828	Washer M8 DIN 125 A	2
7	018737	Washer 8,4x24x2 DIN 9021 galv.	1
8	077473	Pressure spring VD-194	1
9	014816	Hexagon nut M8 DIN 985	1

# 15 Circuit diagram



## 15 Circuit diagram

---



## 16 Tool kit #060281

Article no.	Description	Quantity
017601	Open-end wrench SW17	1
016842	Open-ended wrench SW10	1
016799	Open-end wrench SW13	1
016800	Open-end wrench SW19	1
018635	Open-end wrench SW24	1
043826	Double open-end wrench SW30/36	1
017027	Hexagonal screw key SW4 DIN 911	1
014956	Hexagonal screw key SW5 DIN 911	1
014957	Hexagonal screw key SW6 DIN 911	1
014959	Hexagonal screw key SW8 DIN 911	1
018641	Hexagonal screw key SW10 DIN 911	1
060253	Tool bag orange	1
016813	Multi clip URS/Gecko/Cobra/Viper	1

## 17 Accessories

Article no.	Description	Quantity
012624	CORUNDUM SANDING BELT 200 X 750 MM K 36	1
012627	CORUNDUM SANDING BELT 200 X 750 MM K 60	1
012629	CORUNDUM SANDING BELT 200 X 750 MM K 100	1
015315	Hearing protectors	1
016732	Fine dust mask Gecko/URS/Cobra	1
040383	Running wheel adjusting tool cpl.Cobra	1
013839	DUST BAG FOR COBRA/VIPER/PYTHON	1
077170	Drive belt 6PJ 1371 Cobra Classic	1
060282	extension cord3G2,5x12,5 orange/Pallmann	1
062062	Ext.cord 3G2,5x12,5orangeUK230V/Pallm	1
081446	Sander base Cobra/Python	1