



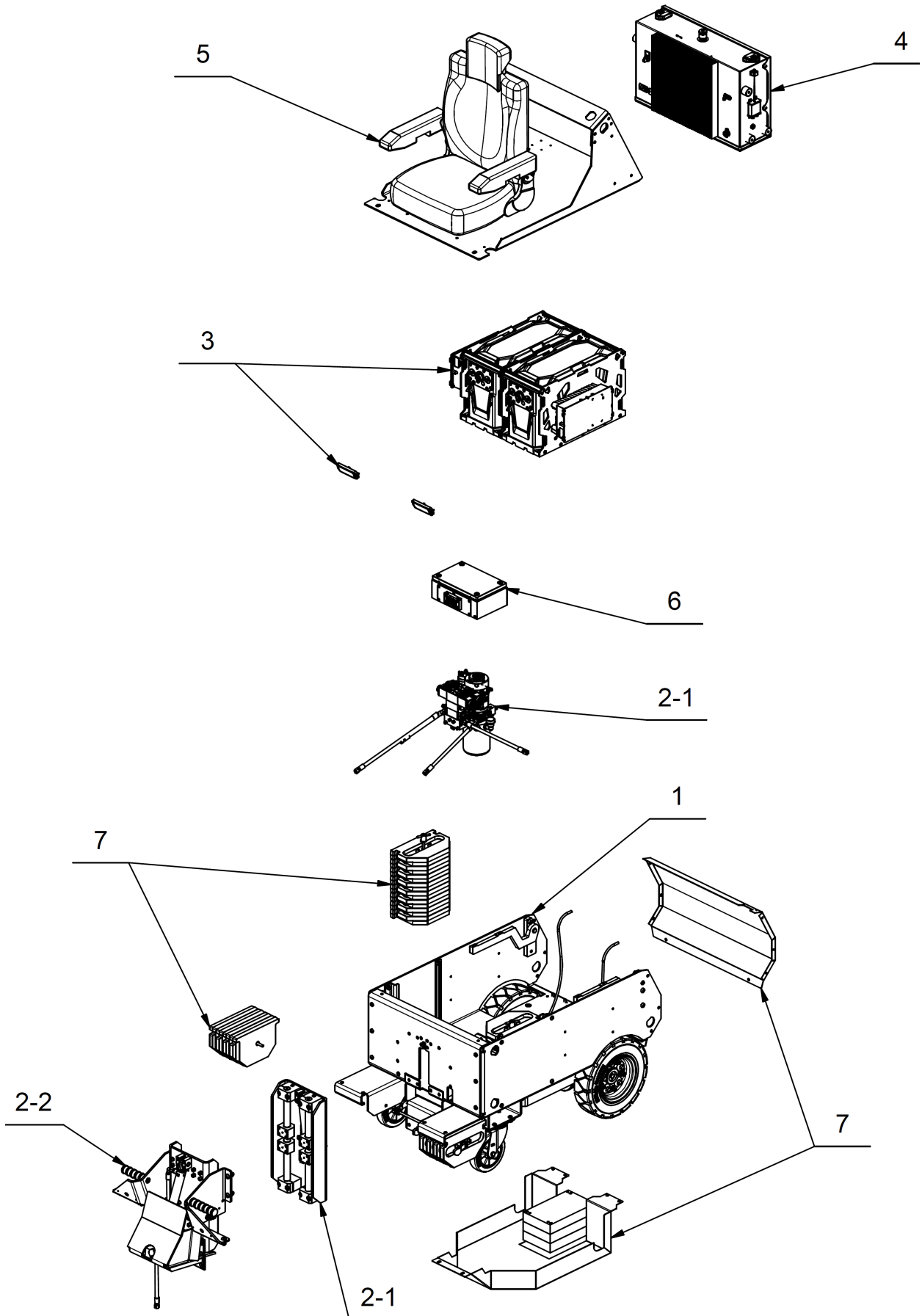
spare parts list Independence EU



Table of contents

1 Independence EU (V003+4)	3
1 Chassis	5
2-1 Hydraulics 1	7
2-2 Hydraulics 2	9
3 LED/Battery	12
4 Control cabinet	14
5 Cover plate	17
6 Terminal box	20
7 Weights	22
8 Tools	24
9 Accessories	25
2 Independence EU (N001/10-2022 - N010/10-2022)	26
1 Chassis	28
2-1 Hydraulics 1	30
2-2 Hydraulics 2	32
3 LED/Battery	35
4 Control cabinet	37
5 Cover plate	40
6 Terminal box	43
7 Weights	45
8 Tools	47
9 Accessories N001+N002	48
9 Accessories N003+N010	49
3 Independence EU S001 (0011/03-2023 - 0021/04-2023)	50
1 Chassis	52
2-1 Hydraulics 1	54
2-2 Hydraulics 2	56
3 LED/Battery	59
4 Control cabinet	61
5 Cover plate	64
6 Terminal box	67
7 Weights	69
8 Tools	71
9 Accessories	72
4 Independence EU S002 (0022/05-2023 - heute)	73
1 Chassis	75
2-1 Hydraulics 1	77
2-2 Hydraulics 2	79
3 LED/Battery	82
4 Control cabinet	84
5 Cover plate	87
6 Terminal box	90
7 Weights	92
8 Circuit diagram	94
9 Tools	96
10 Accessories	97

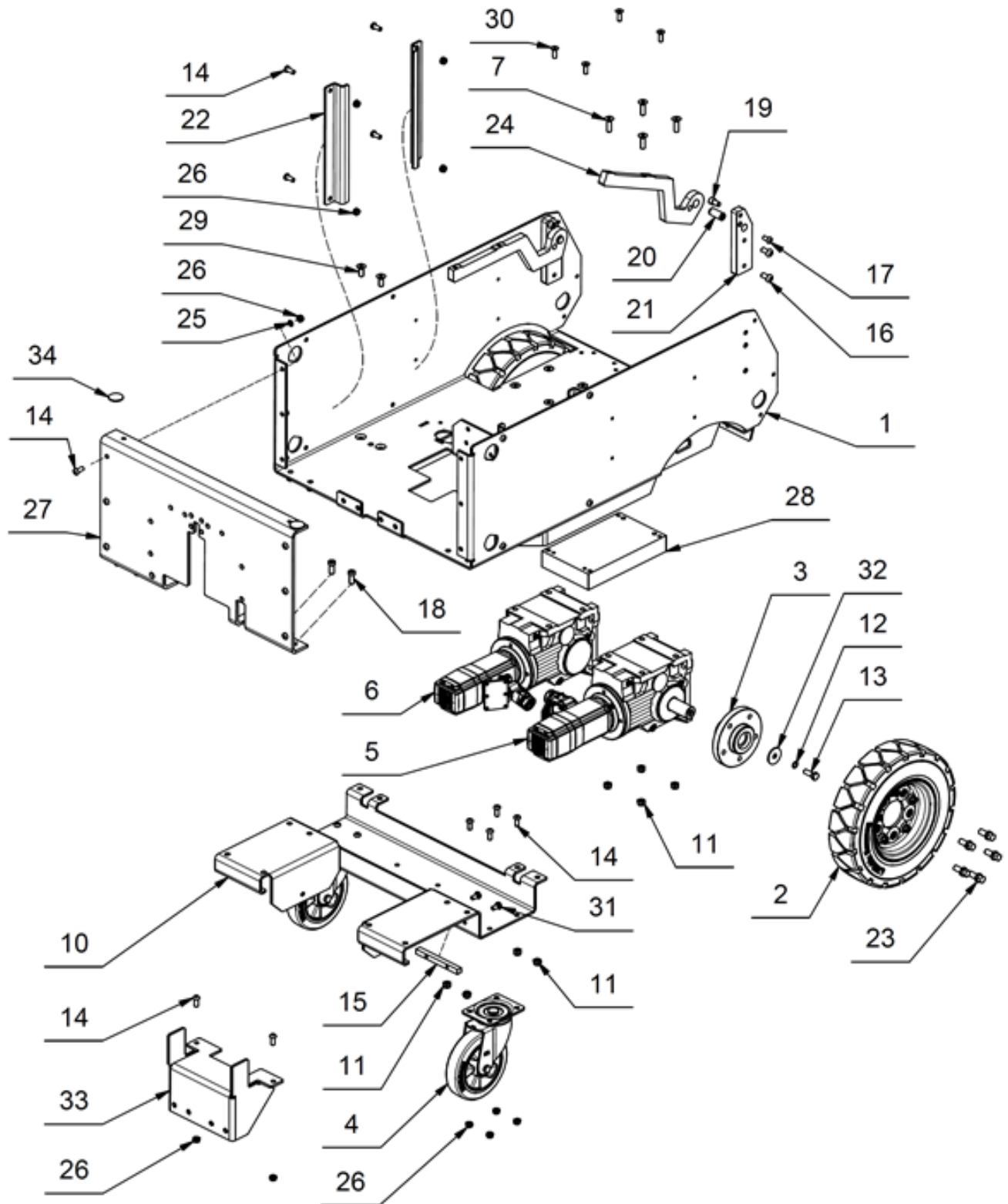
1 Independence EU (V003+4)



1 Independence EU (V003+4)

Item no.	Article no.	Description
1	01_01_168801	Chassis
2-1	01_02-1_168801	Hydraulics 1
2-2	01_02-2_168801	Hydraulics 2
3	01_03_168801	LED/Battery
4	01_04_168801	Control cabinet
5	01_05_168801	Cover plate
6	01_06_168801	Terminal box
7	01_07_168801	Weights
8	01_08_168801	Tools
9	01_09_168801	Accessories

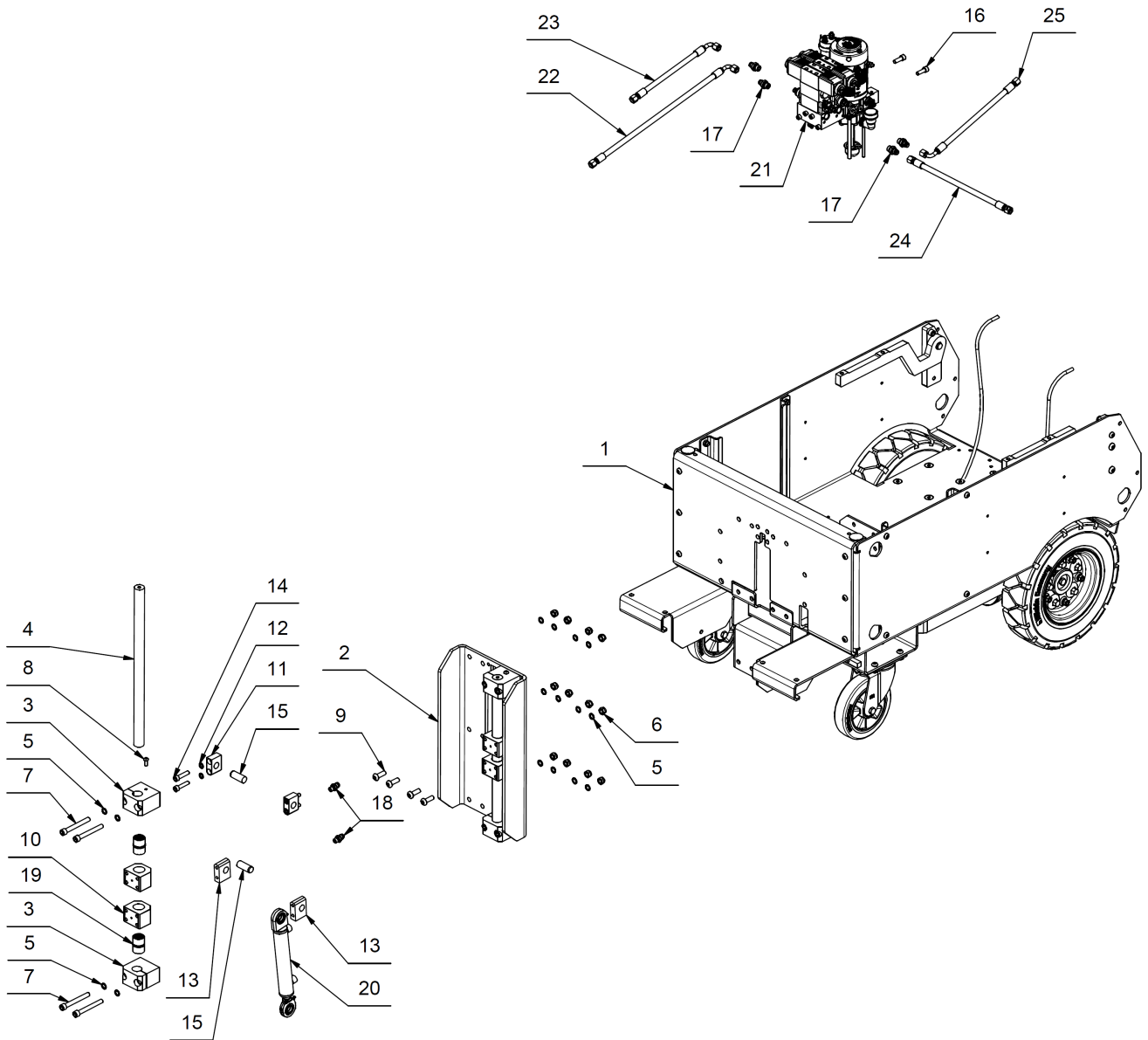
1 Chassis



1 Chassis

Item no.	Article no.	Description	Quantity
1	171256	Chassis Independence	1
2	169459	Drive wheel 405x105 grey Independence	2
3	169461	Wheel hub Independence	2
4	169480	Steering wheel Ø200 grey Independence	2
5	168856	Bevel gear motor left Independence	1
6	168871	Bevel gear motor right Independence	1
7	172700	Countersunk screw M12x40 DIN 7991 10.9	8
8	168744	Cable motor Ø16 orange Independence	2
9	168875	Resolver cable Ø9 green Independence	2
10	171359	SG Pick up swivel castors Independence	1
11	018770	El.stop-nut M12 DIN 985	17
12	014862	Washer M12	2
13	016752	Hexagonal screw M12x 35 DIN 933	2
14	172667	Lens screw M10x25 ISO 7380	24
15	171184	Bar additional weight Independence	2
16	172668	Lens screw M12x25 ISO 7380	4
17	040261	Lens screw M10x20 ISO 7380	2
18	172670	Lens screw M12x35 ISO 7380	4
19	017614	Cylinder head screw M12x20 DIN 912	2
20	172703	Cylindrical pin 20x45 DIN 7979	2
21	171104	Holder lid hinge Independence	2
22	173170	Bracket additional weights Independence	4
23	171746	Ball collar screw M14x1,5-27 DIN 74361	10
24	171260	Cover hinge Independence	2
25	014861	Washer M10	6
26	014817	Hexagon nut M10 DIN 985	24
27	171366	Front plate Independence	1
28	172744	Intermediate weight 22kg Independence	1
29	172679	Countersunk screw M12x30 DIN 7991 10.9	4
30	018336	Countersunk screw M10x30 DIN 7991 10.9	4
31	083696	Hexagonal screw M 10x20 DIN933 8.8 vz.	4
32	173506	Fender washer Ø13xØ48x3 DIN522 galv.	2
33	171368	Counter bearing Independence	1
34	060979	Felt sheet black Ø 40x3	2

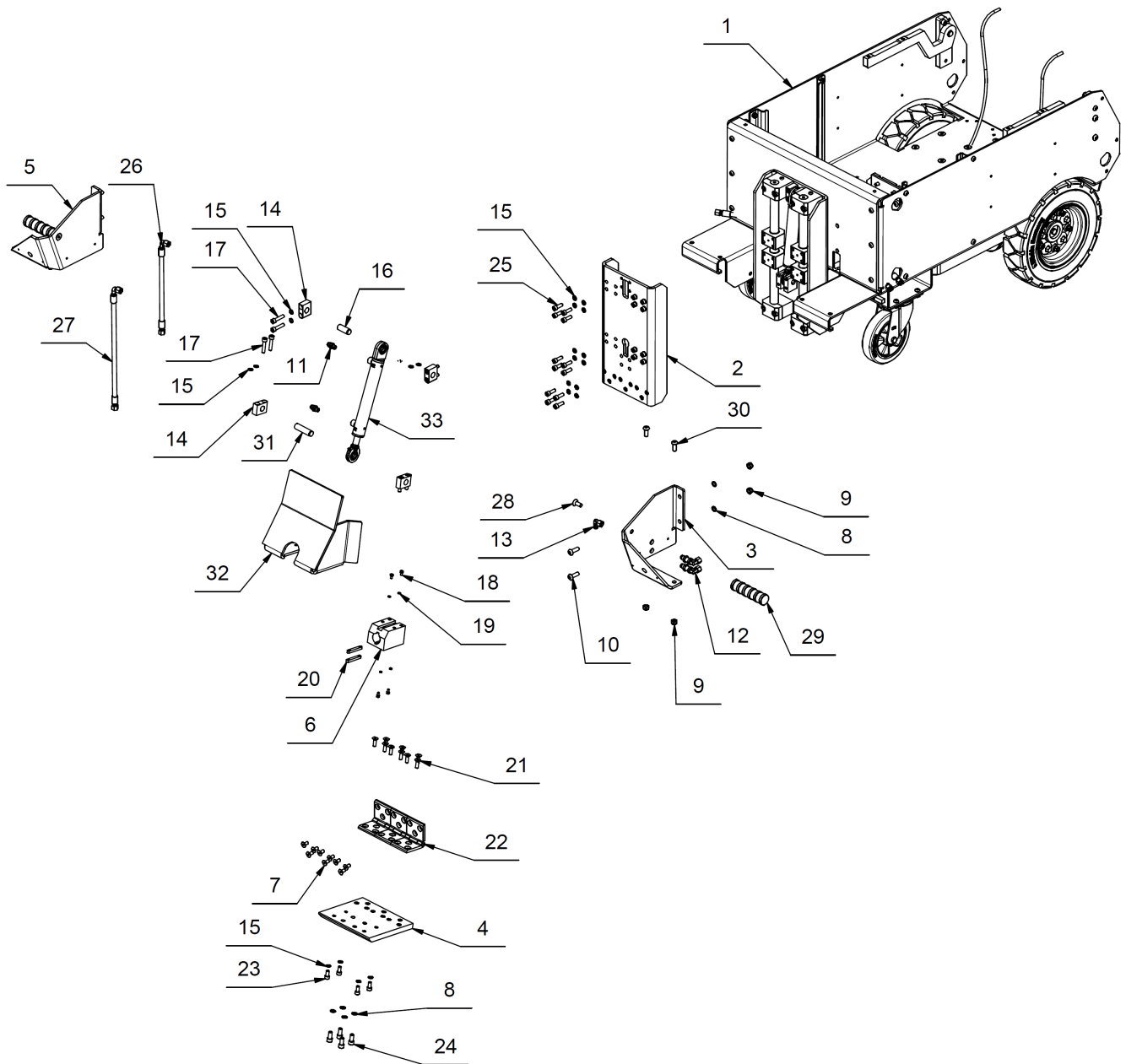
2-1 Hydraulics 1



2-1 Hydraulics 1

Item no.	Article no.	Description	Quantity
1		Chassis	1
2	171391	Linear guide at the rear Independence	1
3	171182	Bearing block fix.Linear guide Independe	4
4	170543	Shaft linear guide Ø30x540mm Independenc	2
5	014862	Washer M12	20
6	018770	El.stop-nut M12 DIN 985	12
7	016577	Cylinder head screw M12x110 DIN 912	8
8	047385	Lens head screw M8x20	2
9	172670	Lens screw M12x35 ISO 7380	4
10	173051	Bearing block IGUS Independence	4
11	171106	Bearing block cylinder DULO Independence	2
12	014861	Washer M10	4
13	171107	Bearing block cylinder M10 Independence	2
14	014741	Cylinder head screw M10x45 DIN 912	4
15	172704	Cylindrical pin 20x55 DIN 6325	2
16	018300	Cylinder head screw M10x30 DIN 912	2
17	173602	Straight cutting ring lock G3/8"	4
18	173603	Straight cutting ring lock G1/4" Indep.	2
19	173098	Sliding film JUM 02-30 IGUS	4
20	169944	Hydraulikzylinder H150 Independence	1
21		Hydraulic power unit Otto	2
22	173613	Hose pipe 580 Independence	1
23	173614	Hose pipe 330 Independence	1
24	173616	Hose pipe 420 Independence	1
25	173608	Hose pipe 380 Independence	1

2-2 Hydraulics 2



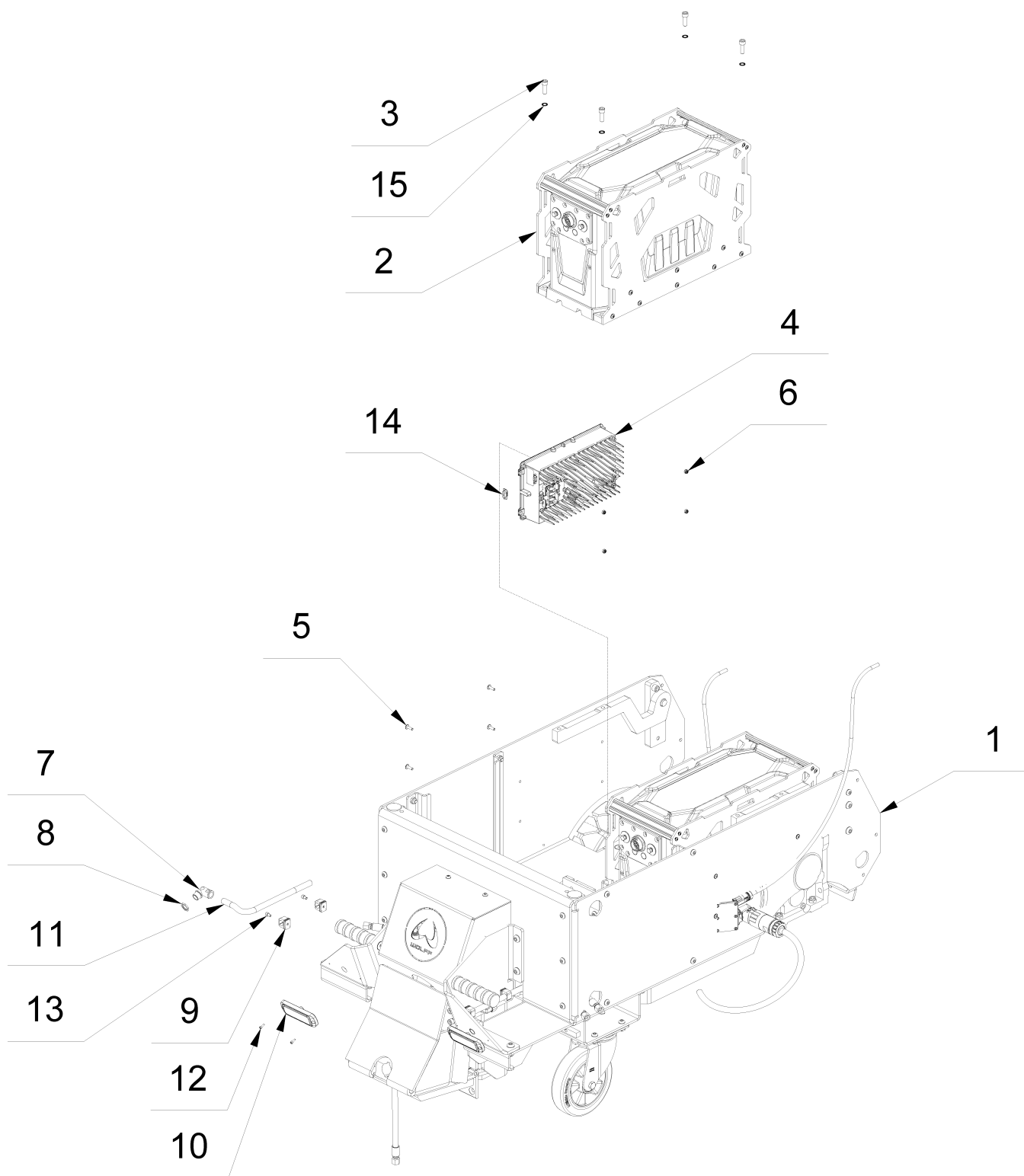
2-2 Hydraulics 2

Item no.	Article no.	Description	Quantity
1		Hydraulics 1 N001	1
2	171258	Linear guide in front Independence	1
3	174304	Bulkhead plate left Independence	1
4	171323	Tool mounting plate	1
5	174303	Bulkhead plate right Independence	1
6	171383	Chisel holder Independence	1
7	014762	Countersunk screw M10x20 DIN7991 10.9	9
8	014862	Washer M12	8
9	018770	El.stop-nut M12 DIN 985	8
10	172670	Lens screw M12x35 ISO 7380	4
11	173603	Straight cutting ring lock G1/4" Indep.	2
12	173598	Schott Elbow fitting M16x1,5 Independenc	2
13	173597	Elbow fitting M16x1,5 Independence	1
14	171106	Bearing block cylinder DULO Independence	4
15	014861	Washer M10	33
16	172704	Cylindrical pin 20x55 DIN 6325	1
17	014741	Cylinder head screw M10x45 DIN 912	8
18	017697	Cylinder head screw M6x10 DIN 912	4
19	014859	Schnorr washer M6	4
20	172712	Pass spring 10x8x70 with thread Independ	2
21	018336	Countersunk screw M10x30 DIN 7991 10.9	9
22	170189	Stainless steel hinge Independence	6
23	018301	Cylinder head screw M10x20 DIN 912	4
24	018297	Cylinder head screw M12x25 DIN 912	4
25	018300	Cylinder head screw M10x30 DIN 912	20
26	173608	Hose pipe 380 Independence	1
27	173615	Hose pipe 500 Independence	1
28	172679	Countersunk screw M12x30 DIN 7991 10.9	2
29	172631	Footrest Independence	2
30	172668	Lens screw M12x25 ISO 7380	4
31	173057	Cylindrical pin 20x80 DIN 6325	1
32	173835	Deflector 260 Independence	1
33	169946	Hydraulikzylinder H200-90° Independence	1
34	171356	Cover lift cylinder Independence	1

2-2 Hydraulics 2

Item no.	Article no.	Description	Quantity
35	047385	Lens head screw M8x20	2

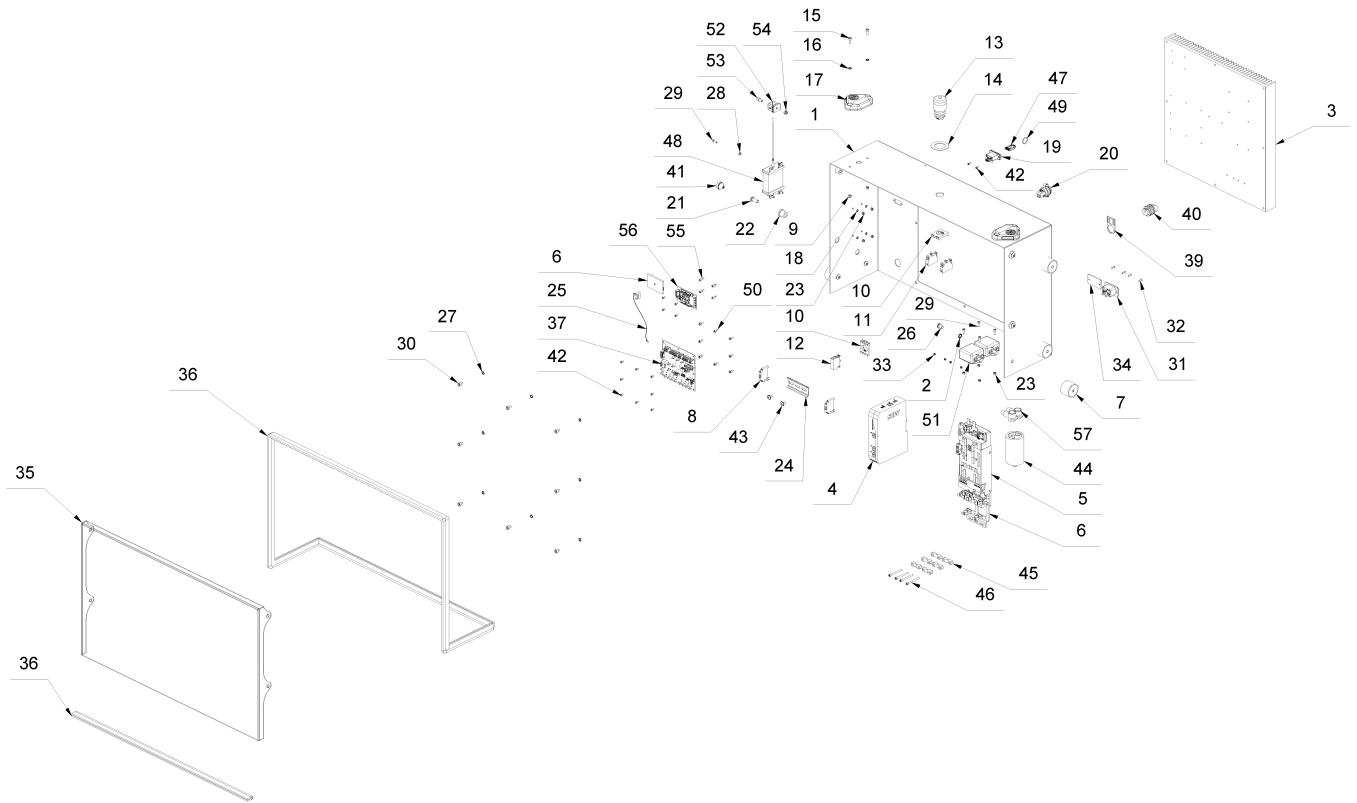
3 LED/Battery



3 LED/Battery

Item no.	Article no.	Description	Quantity
1		Hydraulics 2 N001	1
2	172588	Battery Li-Io 5kW-100Ah Independence	2
3	018300	Cylinder head screw M10x30 DIN 912	8
4	172630	Battery charger B&S Independence	2
5	018706	Lens head screw M6x20	8
6	014815	Hexagon nut M6 DIN985	9
7	088344	Elbow fitting M20x1,5/1GY	2
8	088345	Lock nut M20x1,5	2
9	173814	Hose support Silvyn Klick-RH M16	4
10	173687	LED Spotlight W229 Independence	2
11	173817	Corrugated hose 350 mm LED Independence	1
12	018284	Cylinder head screw M4x12 DIN 912	4
13	017697	Cylinder head screw M6x10 DIN 912	4

4 Control cabinet



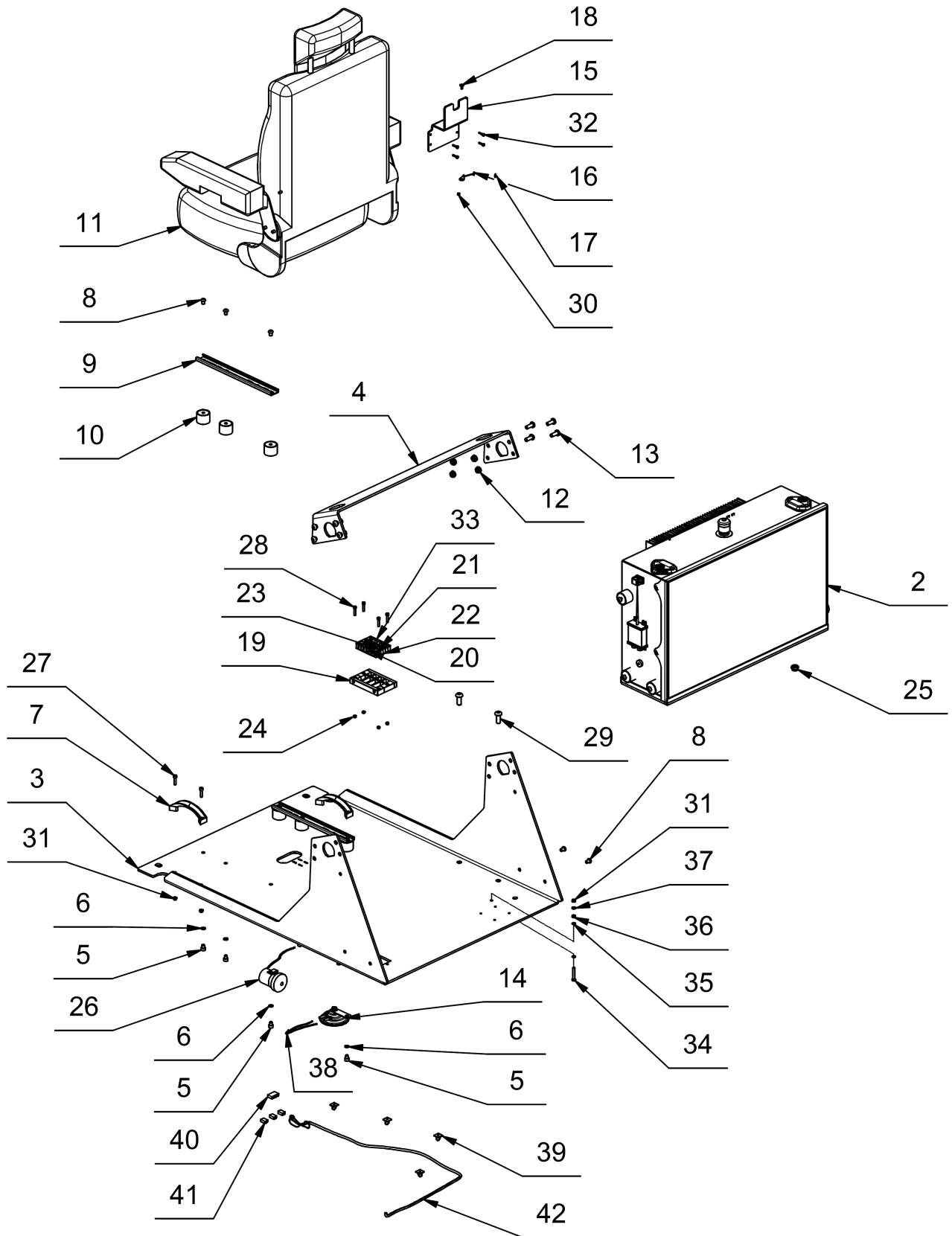
4 Control cabinet

Item no.	Article no.	Description	Quantity
1	171373	Control cabinet Independence	1
2	014860	Schnorr Washer M8	6
3	172853	Cooling body Independence	1
4	178963	Controller Independence	1
5	168805	Inverter/power supply Independence	1
6	089108	IMM Battery (LiPo 1260mAh) Li 5Wh	1
7	077748	Rubber stop Ø40x30-M8	6
8	071895	Top hat rail unclamp 6mm	2
9	014814	Stop hexagon nut M5 DIN 985	4
10	017503	Adapterattachment	2
11	017507	Contact element open NC	2
12	017505	Contact element shut NO	1
13	052443	Safety switch	1
14	136966	Label emergency C-Stiel	1
15	017561	Cylinder head screw M5x12 DIN 912	4
16	014858	Schnorr washer M5	4
17	172843	Warning light 24V Independence	2
18	016961	Snorr washer M4	4
19	171297	Socket key switch SR4310SP	1
20	171292		1
21	047385	Lens head screw M8x20	4
22	172790	Riveting nut Chloroprene black M8	4
23	014813	Hexagon nut M4 DIN 985	8
24	085576	Top hat rail 80 mm	1
25	174241	Connecting cable IMM Independence	1
26	172666	Lens screw M8x12 ISO 7380	6
27	014859	Schnorr washer M6	8
28	017452	Washer M4 DIN 125 B	4
29	018284	Cylinder head screw M4x12 DIN 912	8
30	018256	Cylinder head screw M6x8 DIN 912	8
31	171445	IEC device connector C22 Independence	1
32	018332	Countersunk screw M3x10 DIN 965	4
33	017768	El.Stop-Nut M3 DIN 985	4
34	173050	Orifice IEC Device plug Independence	1

4 Control cabinet

Item no.	Article no.	Description	Quantity
35	171374	Cover control cabinet Independence V001	1
36	173047	Seal kit switch cabinet Independence	1
37	173090	Control board Independence	1
39	172920	Plate for switch 0-1 Independence	1
40	172919	Wahltaste rastend 0-1 60°	1
41	172931	Guide grommet Ø16/Ø5-7 t=1-4	1
42	053439	Cylinder head screw M3x6 DIN 912	14
43	018707	Lens head screw M4x10	2
44	173060	Capacitor 10000µF/100VDC Ø51x82	1
45	017709	Cable clamp plastic	6
46	017684	Cylinder head screw M4x45 DIN 912	4
47	171298	Memory token SST16Kb	2
48		Receiver remote control	1
49	038904	Key ring Micropac Mambo 2	1
50	165407	Plastic spacer M3x6 (WM2.0)	8
51	173825	Mains filter 10A Independence	2
52	173814	Hose support Silvyn Klick-RH M16	1
53	014726	Cylinder head screw M6x12 DIN 912	1
54	014815	Hexagon nut M6 DIN985	1
55	164227	Spacer Stud M3x10 SW5,5 Weldmas. 2.0	4
56	163970	IMM Kit Rev.3 (LiPo 1300mAh) Li 5Wh	1
57	176081	Pole protection cap black 35-95 mm² Ø22	2

5 Cover plate



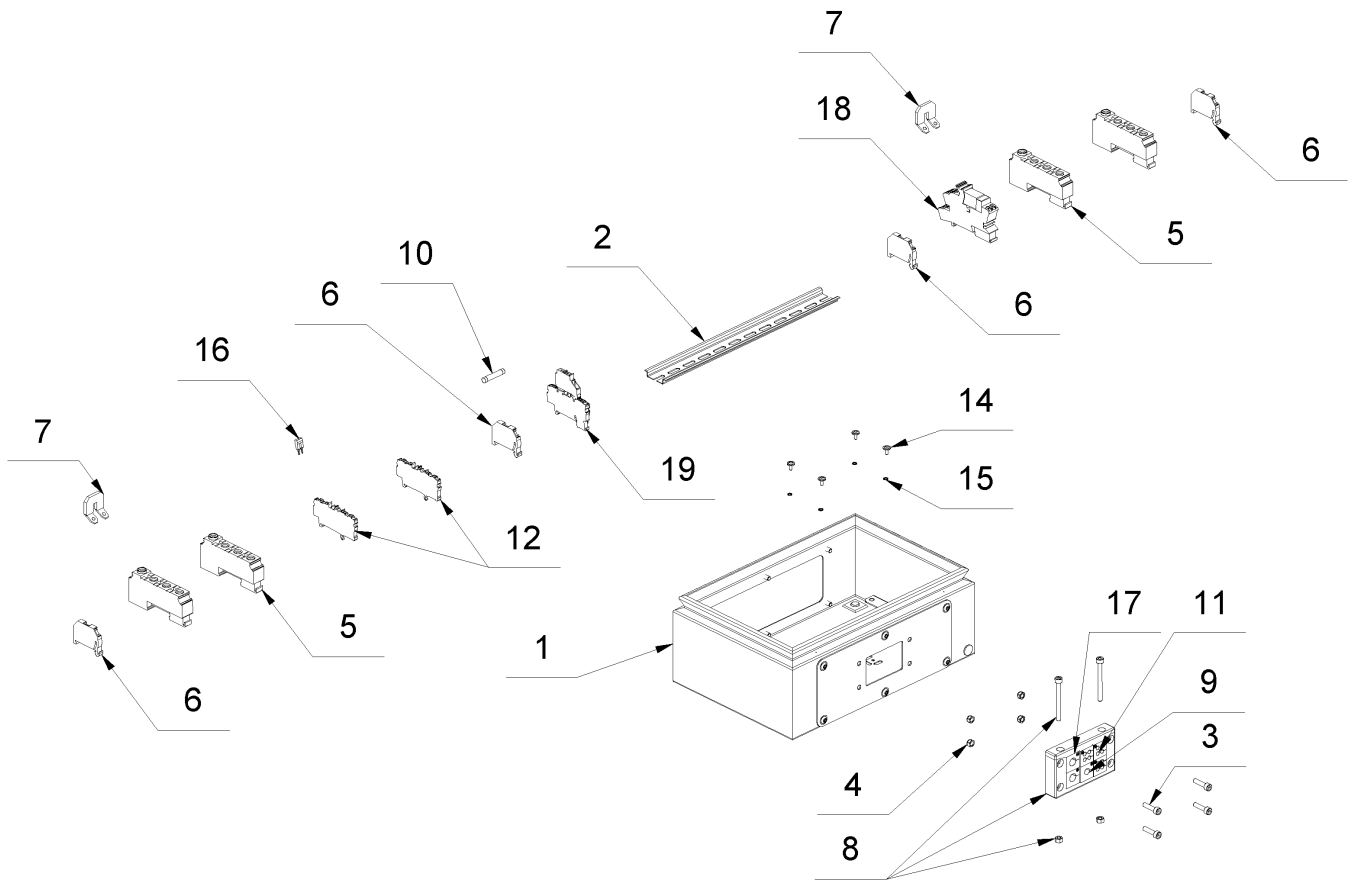
5 Cover plate

Item no.	Article no.	Description	Quantity
1			1
2			1
3	171254	Cover plate Independence	1
4	171372	Traverse Independence	1
5	017651	Cylinder head screw M8x16 DIN 912	6
6	014860	Schnorr Washer M8	6
7	037954	Handle Mambo2/VarioSilent	2
8	172666	Lens screw M8x12 ISO 7380	12
9		Seat rail	2
10	077748	Rubber stop Ø40x30-M8	6
11	168997	Seat Independence	1
12	014817	Hexagon nut M10 DIN 985	8
13	172667	Lens screw M10x25 ISO 7380	8
14	171169	Horn low single tone 24V Independence	1
15	172925	Bracket control panel Independence	1
16	060726	Tether Mambo Evo	1
17	060766	Spring cotter	1
18	076701	Lens head screw M4x12	1
19	172751	Cable entry strip KEL 16 12-E	1
20	172764	Cable grommet KT 17 grey	2
21	172761	Cable grommet KT 8 grey	6
22	174074	Cable grommet KT 10 grey	2
23	172752	Blind grommet BTK grey small	1
24	014814	Stop hexagon nut M5 DIN 985	4
25	018770	El.stop-nut M12 DIN 985	1
26	173059	Reversing warning system Independence	1
27	014731	Cylinder head screw M6x25 DIN 912	4
28	014750	Cylinder head bolt M5x25 DIN 912 microv	4
29	172669	Lens screw M12x30 ISO 7380	4
30	014813	Hexagon nut M4 DIN 985	1
31	014815	Hexagon nut M6 DIN985	5
32	014692	Sheet metal screw HC 3,9x19 DIN7981	4
33	174075	Cable grommet KT 6 grey	1
34	018162	Hexagonal screw M 6x 40 DIN 931	1

5 Cover plate

Item no.	Article no.	Description	Quantity
35	060534	Tooth lock washer A 6,4 DIN 6797	2
36	014809	Hexagon nut M6 DIN 934	1
37	014827	Washer M6 DIN 125 A	1
38	173081	Single wire Horn 1mm ² 150mm	2
39	053445	Adhesive base Cobra 09	4
40	072951	Terminal connector 5-fold	1
41	050146	Connecting terminal 2-fold	3
42	173158	Cable PCB horn/seat/beeper 4x1 ² 1800mm	1

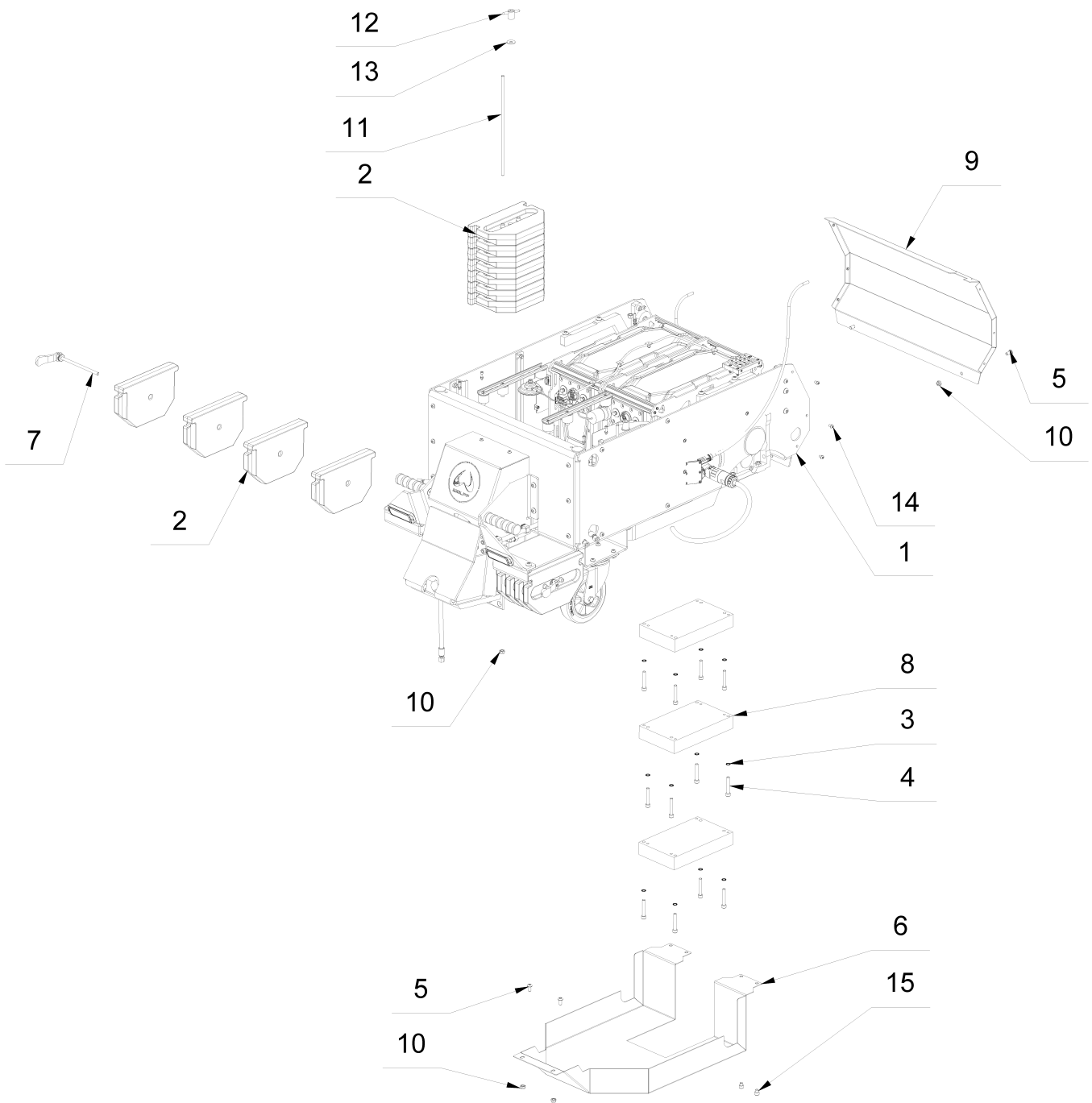
6 Terminal box



6 Terminal box

Item no.	Article no.	Description	Quantity
1	172987	Terminal box front V1 Independence	1
2	173048	Top hat rail TS35/7,5 287mm	1
3	014720	Cylinder head screw M5x20 DIN 912	4
4	014814	Stop hexagon nut M5 DIN 985	4
5	173069	Distribution terminal Wago 284-621	4
6	071895	Top hat rail unclamp 6mm	4
7	173234	Jumper Wago 284-412	2
8	173028	Cable entry strip KEL-U 10/6	1
9	172761	Cable grommet KT 8 grey	1
10	082498	Electrical fuse 5x20mm mittelträge 2A	1
11	173033	Cable grommet KT 4/Ø5 gray	3
12	068024	Top hat rail through clamp grey 4x	2
14	018708	Lens head screw M3x 8	4
15	017772	Schnorr washer M3	4
16	162792	Comb bridge 2002-402	1
17	174074	Cable grommet KT 10 grey	2
18	174236	Relay module 24V/48V hydraulic unit	1
19	174674	2-wire fuse terminal Independence	1
o.Abb.	173159	DC Main cable 25 ² 2250mm o.Isol.	2
o.Abb.	173073	Battery cable 10 ² I=1000 AEH/RKS M8	4
o.Abb.	173151	Cable hydrmot. current rail 10 ² 400mm	2
o.Abb.	173148	Câble DC chargeur 10 ² 900mm Isol.	4
o.Abb.	173099	Control C. PCB terminal box front 7x1 ²	1
o.Abb.	173071	Contro. Relay HydraulicM. 2x0,75 ²	2
o.Abb.	175625	Single wire Ventile 1 ² I=250	4
o.Abb.	173152	Cable emergency stop board bk 0,5 ² 250mm	2

7 Weights



7 Weights

Item no.	Article no.	Description	Quantity
1		Cover plate	1
2	173720	Additional weight 12.5kg Independence	8
3	014861	Washer M10	12
4	018299	Cylinder head screw M10x65 DIN 912	12
5	040261	Lens screw M10x20 ISO 7380	4
6	171375	Underbody protection Independence	1
7	087887	Eccentric lever length M10x185mm	4
8	172744	Intermediate weight 22kg Independence	3
9	171369	Tail plate Independence	1
10	014817	Hexagon nut M10 DIN 985	6
11	174200	Threaded rod M10x400 Independence	2
12	173815	Quick release toggle M10 Independence	2
13	018236	Washer 10.5 DIN 9021	2
14	172666	Lens screw M8x12 ISO 7380	6
15	088664	Cylinder head screw M 10x10 DIN 912	4

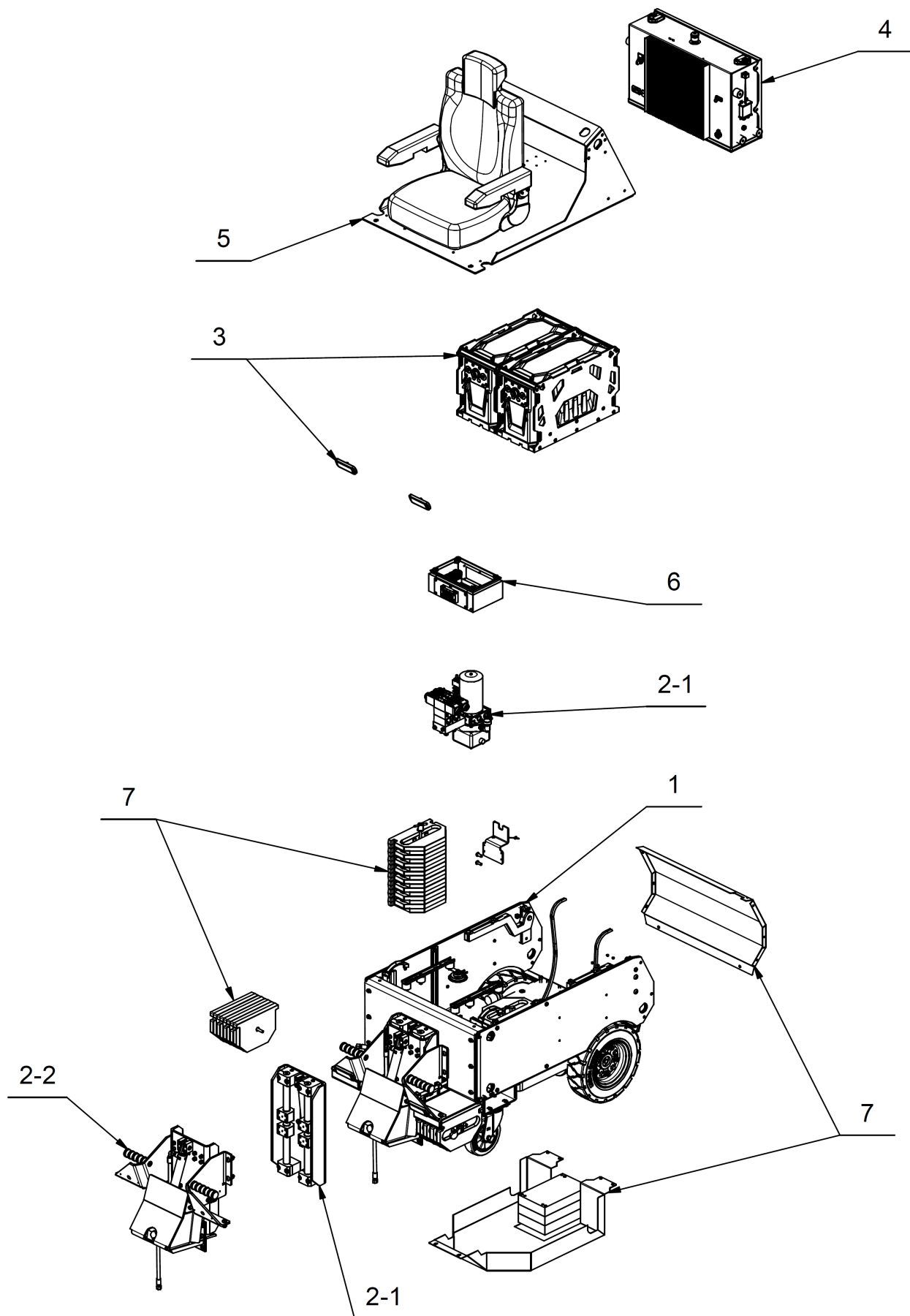
8 Tools

Item no.	Article no.	Description	Quantity
1	172781	Blade holder 250 Independence	1
2	171083	Knife holder 350 Independence	1
3	173066	Blade holder 450 Independence	1
4	173483	Blade holder 840 Independence	1
5	173490	Spare blade 840x120x1,5 UT/5pcs.	1
6	173491	Spare blade 840x60x1,5 UT/5Stk.	1
7	173038	Hammer-Chisel 115mm Independence	1
8	173056	Hammer-Chisel 75mm Independence	1
9	173211	HM chisel 115 Independence	1
10	173210	HM Chisel 69 Independence	1
11	173452	KS-U-Blade 250x60x3x45° bevel up	1
12	173465	KS-U-Blade 250x60x3x45° bevel down	1
13	173451	KS-U-Blade 350x60x3x45° bevel up	1
14	173464	KS-U-Blade 350x60x3x45° bevel down	1
15	173463	KS-U-Blade 350x80x3x45° bevel up	1
16	173450	KS-U-Blade 350x80x3x45° bevel down	1

9 Accessories

Item no.	Article no.	Description	Quantity
1	010758	Carrying case midi3 SEE 171220	1
2	019141	T-handle 6-kt SW 6	1
3	172979	Folding slint 8x45 Independence	1
4	173024	Charging cable Independence EU	1
4	175398	Charging cable Independence AU 230V	1
4	175395	Charging cable Independence CH 230V	1
4	175399	Charging cable Independence DK 230V	1
4	175396	Charging cable Independence UK 115V/32A	1
5	164858	AA-Batteries rechargeable NiMH 2400mAh	1
6	171324	Remote system V1-2,4GHz SEE 174090	1
7	174095	Control panel V1-2,4GHz SEE 174091	1
8	174098	RC Receiver V1-2,4GHz SEE 174092	1

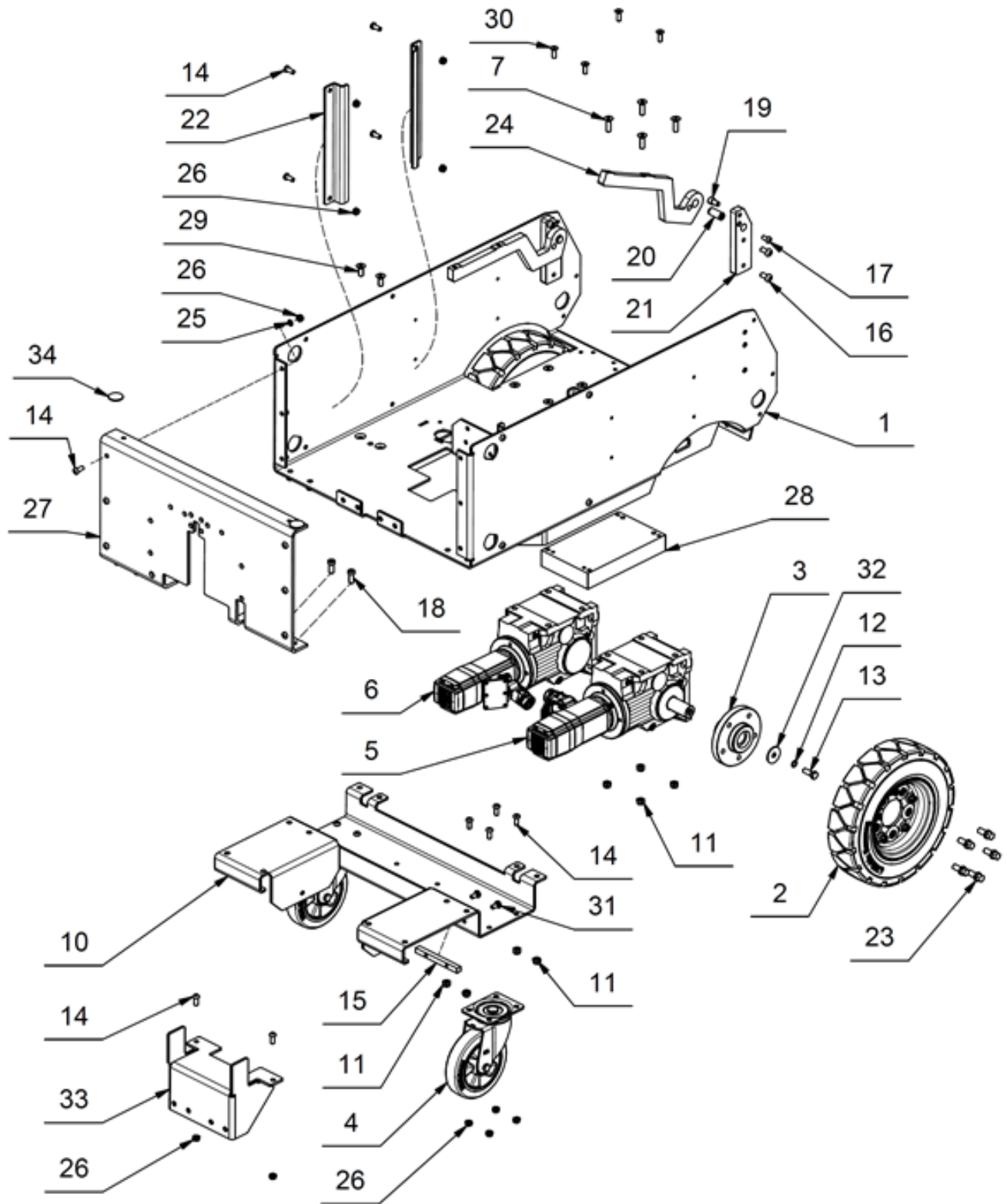
2 Independence EU (N001/10-2022 - N010/10-2022)



2 Independence EU (N001/10-2022 - N010/10-2022)

Item no.	Article no.	Description
1	01_01_168801	Chassis
2-1	02_02-1_168801	Hydraulics 1
2-2	01_02-2_168801	Hydraulics 2
3	01_03_168801	LED/Battery
4	01_04_168801	Control cabinet
5	01_05_168801	Cover plate
6	01_06_168801	Terminal box
7	01_07_168801	Weights
8	01_08_173933	Tools
9	01_09_173746	Accessories N001+N002
9	01_09_173746	Accessories N003+N010

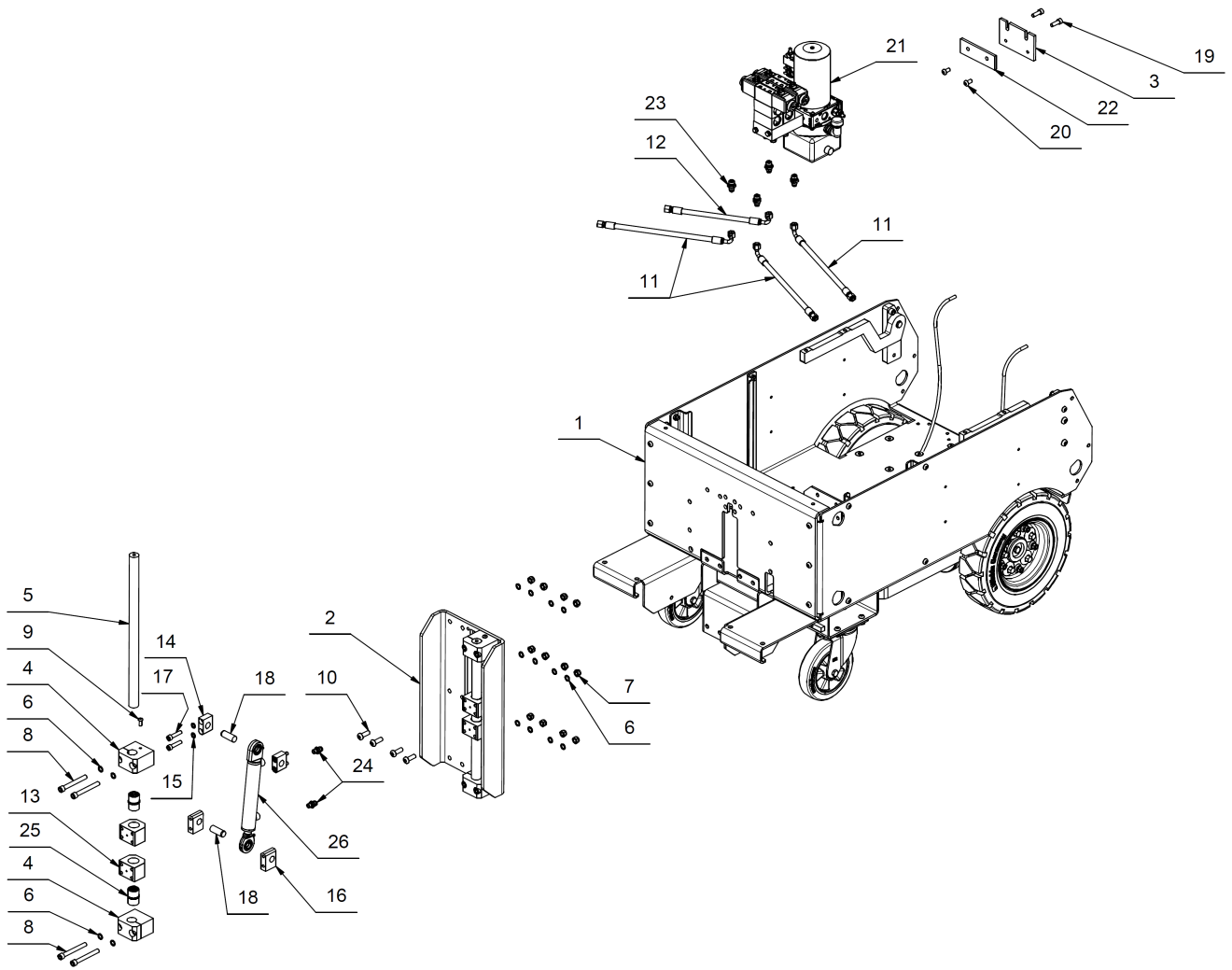
1 Chassis



1 Chassis

Item no.	Article no.	Description	Quantity
1	171256	Chassis Independence	1
2	169459	Drive wheel 405x105 grey Independence	2
3	169461	Wheel hub Independence	2
4	169480	Steering wheel Ø200 grey Independence	2
5	168856	Bevel gear motor left Independence	1
6	168871	Bevel gear motor right Independence	1
7	172700	Countersunk screw M12x40 DIN 7991 10.9	8
8	168744	Cable motor Ø16 orange Independence	2
9	168875	Resolver cable Ø9 green Independence	2
10	171359	SG Pick up swivel castors Independence	1
11	018770	El.stop-nut M12 DIN 985	17
12	014862	Washer M12	2
13	016752	Hexagonal screw M12x 35 DIN 933	2
14	172667	Lens screw M10x25 ISO 7380	24
15	171184	Bar additional weight Independence	2
16	172668	Lens screw M12x25 ISO 7380	4
17	040261	Lens screw M10x20 ISO 7380	2
18	172670	Lens screw M12x35 ISO 7380	4
19	017614	Cylinder head screw M12x20 DIN 912	2
20	172703	Cylindrical pin 20x45 DIN 7979	2
21	171104	Holder lid hinge Independence	2
22	173170	Bracket additional weights Independence	4
23	171746	Ball collar screw M14x1,5-27 DIN 74361	10
24	171260	Cover hinge Independence	2
25	014861	Washer M10	6
26	014817	Hexagon nut M10 DIN 985	24
27	171366	Front plate Independence	1
28	172744	Intermediate weight 22kg Independence	1
29	172679	Countersunk screw M12x30 DIN 7991 10.9	4
30	018336	Countersunk screw M10x30 DIN 7991 10.9	4
31	083696	Hexagonal screw M 10x20 DIN933 8.8 vz.	4
32	173506	Fender washer Ø13xØ48x3 DIN522 galv.	2
33	171368	Counter bearing Independence	1
34	060979	Felt sheet black Ø 40x3	2

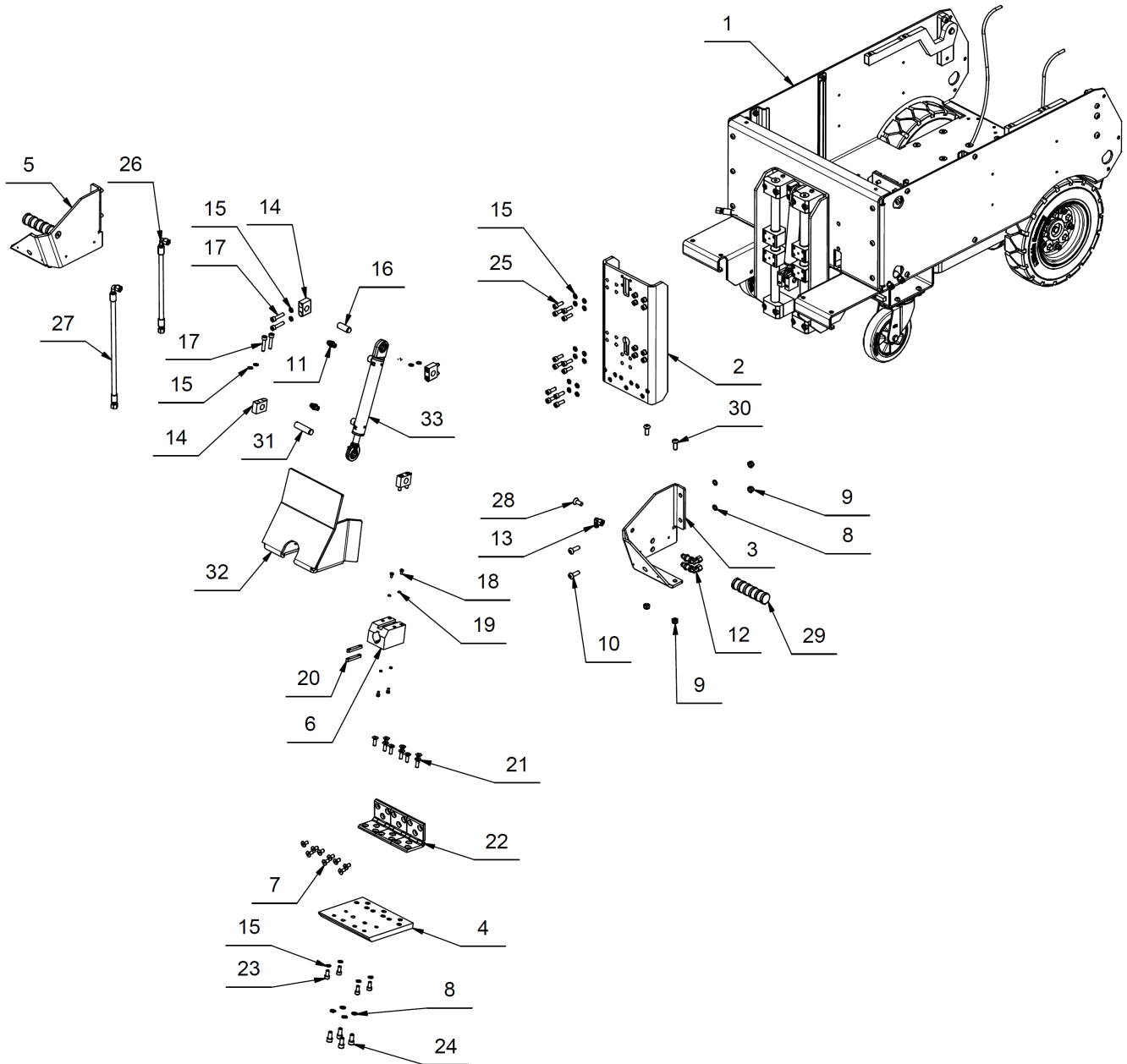
2-1 Hydraulics 1



2-1 Hydraulics 1

Item no.	Article no.	Description	Quantity
1		Chassis	1
2	171391	Linear guide at the rear Independence	1
3		Adapter plate 1 Hydraulic unit	1
4	171182	Bearing block fix.Linear guide Independe	4
5	170543	Shaft linear guide Ø30x540mm Independenc	2
6	014862	Washer M12	20
7	018770	El.stop-nut M12 DIN 985	12
8	016577	Cylinder head screw M12x110 DIN 912	8
9	047385	Lens head screw M8x20	2
10	172670	Lens screw M12x35 ISO 7380	4
11	173609	Hose pipe 425 Independence	3
12	173614	Hose pipe 330 Independence	1
13	173051	Bearing block IGUS Independence	4
14	171106	Bearing block cylinder DULO Independence	2
15	014861	Washer M10	4
16	171107	Bearing block cylinder M10 Independence	2
17	014741	Cylinder head screw M10x45 DIN 912	4
18	172704	Cylindrical pin 20x55 DIN 6325	2
19	018300	Cylinder head screw M10x30 DIN 912	2
20	040261	Lens screw M10x20 ISO 7380	2
21	169556	Hydraulic power unit 2kW V1 Independence	1
22		Adapter plate 2 Hydraulic unit	1
23	173602	Straight cutting ring lock G3/8"	4
24	173603	Straight cutting ring lock G1/4" Indep.	2
25	173098	Sliding film JUM 02-30 IGUS	4
26	169944	Hydraulikzylinder H150 Independence	1
27	174233	Pole protection cap black 50mm head 18mm	1
28	174232	Pole protection cap red 50mm head 18mm	1

2-2 Hydraulics 2



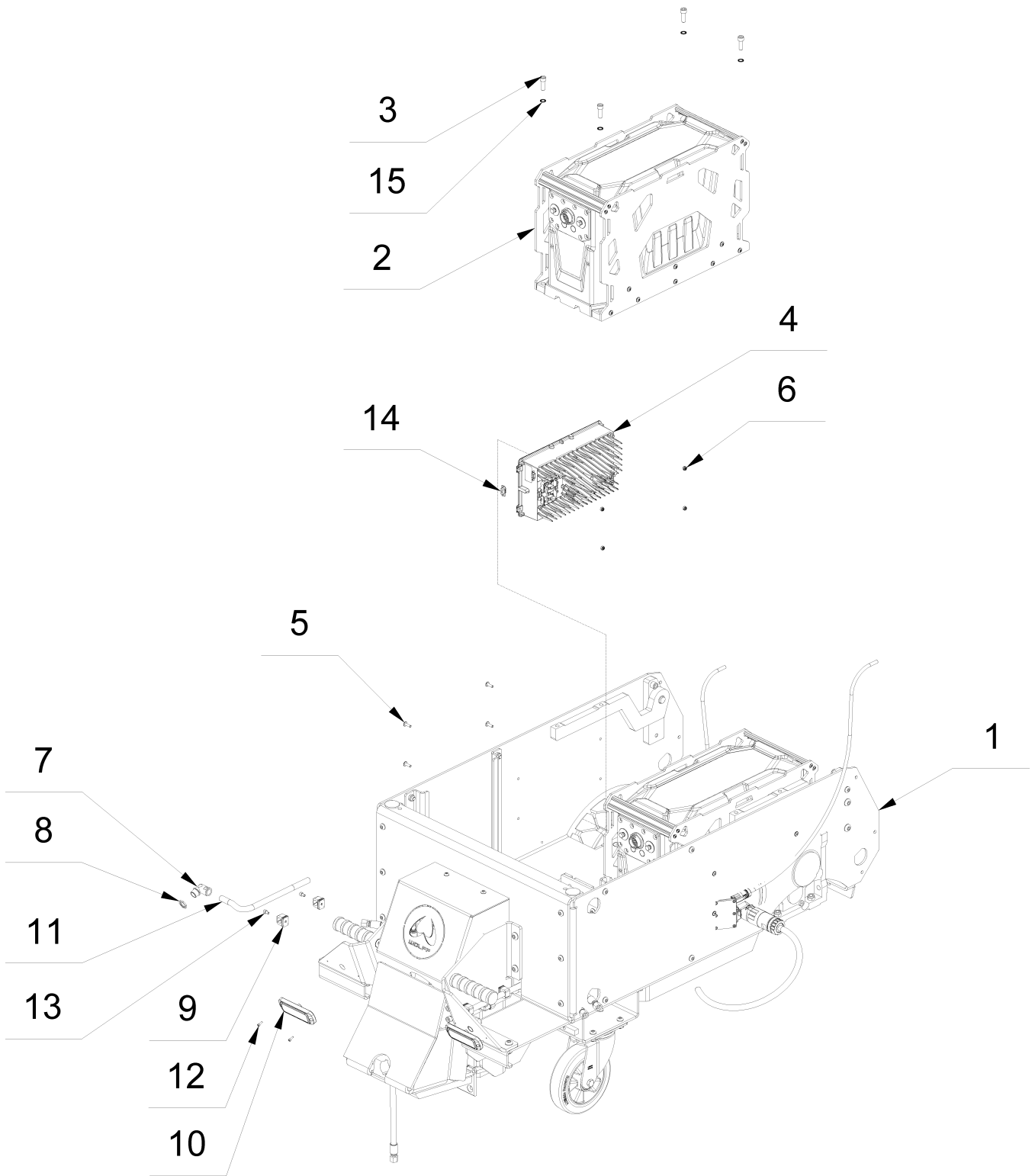
2-2 Hydraulics 2

Item no.	Article no.	Description	Quantity
1		Hydraulics 1 N001	1
2	171258	Linear guide in front Independence	1
3	174304	Bulkhead plate left Independence	1
4	171323	Tool mounting plate	1
5	174303	Bulkhead plate right Independence	1
6	171383	Chisel holder Independence	1
7	014762	Countersunk screw M10x20 DIN7991 10.9	9
8	014862	Washer M12	8
9	018770	El.stop-nut M12 DIN 985	8
10	172670	Lens screw M12x35 ISO 7380	4
11	173603	Straight cutting ring lock G1/4" Indep.	2
12	173598	Schott Elbow fitting M16x1,5 Independenc	2
13	173597	Elbow fitting M16x1,5 Independence	1
14	171106	Bearing block cylinder DULO Independence	4
15	014861	Washer M10	33
16	172704	Cylindrical pin 20x55 DIN 6325	1
17	014741	Cylinder head screw M10x45 DIN 912	8
18	017697	Cylinder head screw M6x10 DIN 912	4
19	014859	Schnorr washer M6	4
20	172712	Pass spring 10x8x70 with thread Independ	2
21	018336	Countersunk screw M10x30 DIN 7991 10.9	9
22	170189	Stainless steel hinge Independence	6
23	018301	Cylinder head screw M10x20 DIN 912	4
24	018297	Cylinder head screw M12x25 DIN 912	4
25	018300	Cylinder head screw M10x30 DIN 912	20
26	173608	Hose pipe 380 Independence	1
27	173615	Hose pipe 500 Independence	1
28	172679	Countersunk screw M12x30 DIN 7991 10.9	2
29	172631	Footrest Independence	2
30	172668	Lens screw M12x25 ISO 7380	4
31	173057	Cylindrical pin 20x80 DIN 6325	1
32	173835	Deflector 260 Independence	1
33	169946	Hydraulikzylinder H200-90° Independence	1
34	171356	Cover lift cylinder Independence	1

2-2 Hydraulics 2

Item no.	Article no.	Description	Quantity
35	047385	Lens head screw M8x20	2

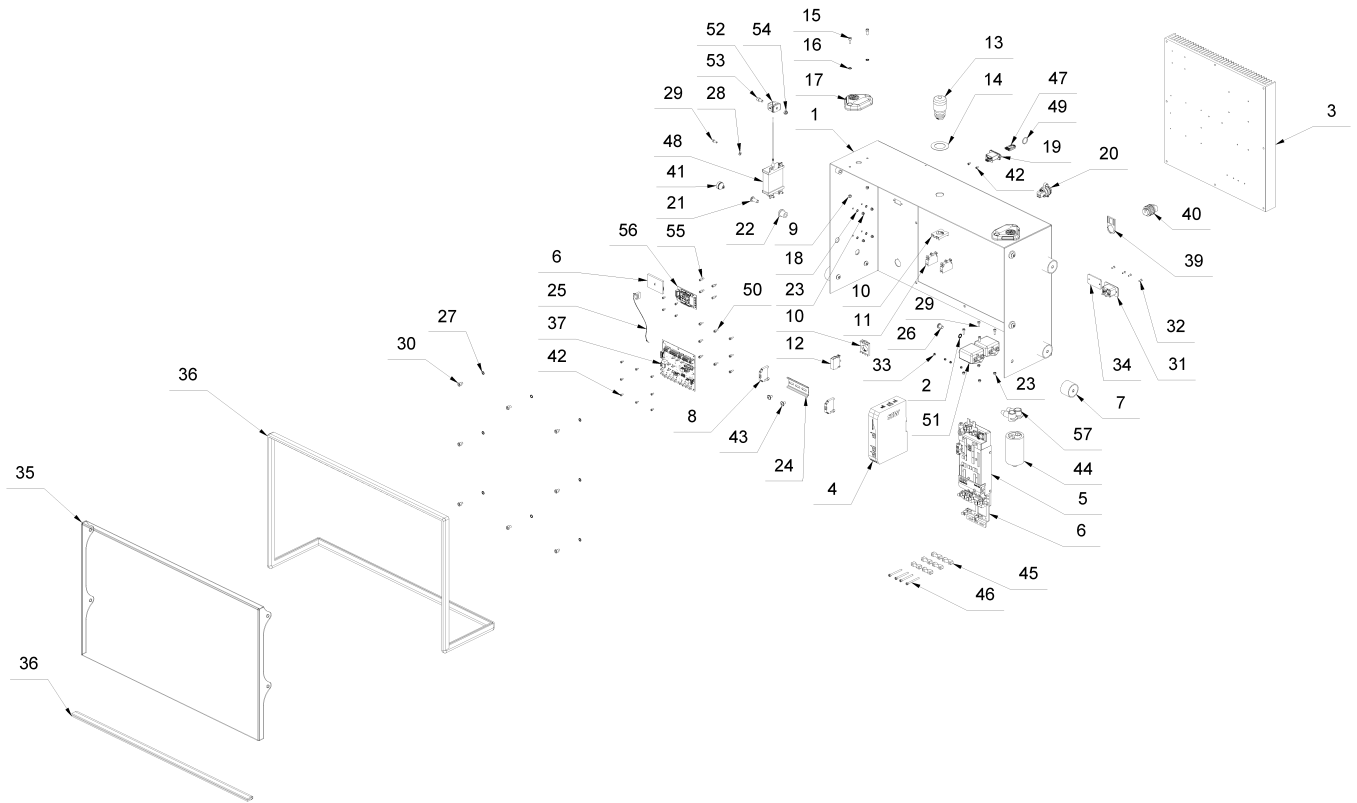
3 LED/Battery



3 LED/Battery

Item no.	Article no.	Description	Quantity
1		Hydraulics 2	1
2	172588	Battery Li-Io 5kW-100Ah Independence	2
3	018300	Cylinder head screw M10x30 DIN 912	8
4	172630	Battery charger B&S Independence	2
5	018706	Lens head screw M6x20	8
6	014815	Hexagon nut M6 DIN985	9
7	088344	Elbow fitting M20x1,5/1GY	2
8	088345	Lock nut M20x1,5	2
9	173814	Hose support Silvyn Klick-RH M16	4
10	173687	LED Spotlight W229 Independence	2
11	173817	Corrugated hose 350 mm LED Independence	1
12	018284	Cylinder head screw M4x12 DIN 912	4
13	017697	Cylinder head screw M6x10 DIN 912	4
14	175363	Connector Can-Bus Independence	1
15	014861	Washer M10	8

4 Control cabinet



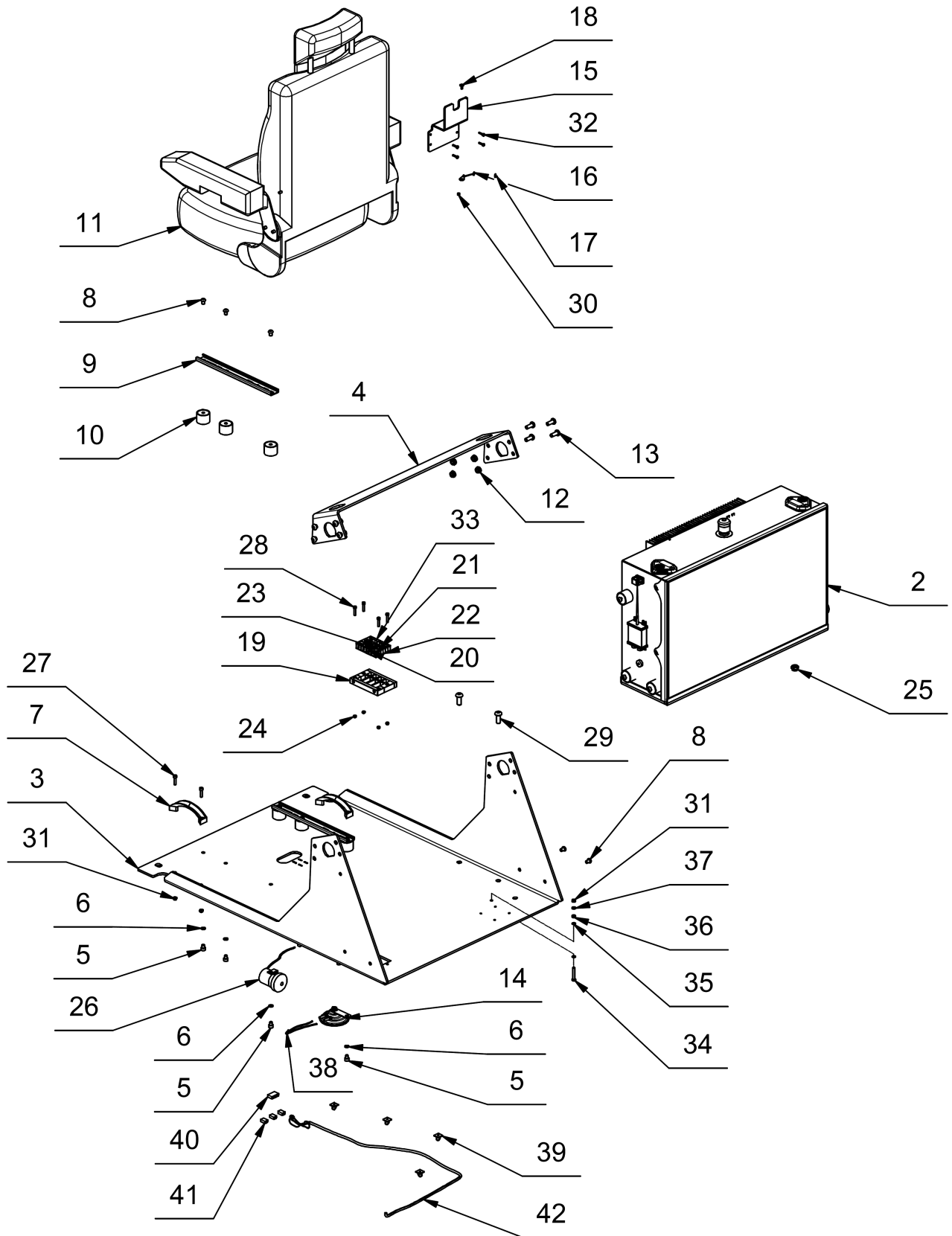
4 Control cabinet

Item no.	Article no.	Description	Quantity
1	171373	Control cabinet Independence	1
2	014860	Schnorr Washer M8	6
3	172853	Cooling body Independence	1
4	178963	Controller Independence	1
5	168805	Inverter/power supply Independence	1
6	089108	IMM Battery (LiPo 1260mAh) Li 5Wh	1
7	077748	Rubber stop Ø40x30-M8	6
8	071895	Top hat rail unclamp 6mm	2
9	014814	Stop hexagon nut M5 DIN 985	4
10	017503	Adapterattachment	2
11	017507	Contact element open NC	2
12	017505	Contact element shut NO	1
13	052443	Safety switch	1
14	136966	Label emergency C-Stiel	1
15	017561	Cylinder head screw M5x12 DIN 912	4
16	014858	Schnorr washer M5	4
17	172843	Warning light 24V Independence	2
18	016961	Snorr washer M4	4
19	171297	Socket key switch SR4310SP	1
20	171292		1
21	047385	Lens head screw M8x20	4
22	172790	Riveting nut Chloroprene black M8	4
23	014813	Hexagon nut M4 DIN 985	8
24	085576	Top hat rail 80 mm	1
25	174241	Connecting cable IMM Independence	1
26	172666	Lens screw M8x12 ISO 7380	6
27	014859	Schnorr washer M6	8
28	017452	Washer M4 DIN 125 B	4
29	018284	Cylinder head screw M4x12 DIN 912	8
30	018256	Cylinder head screw M6x8 DIN 912	8
31	171445	IEC device connector C22 Independence	1
32	018332	Countersunk screw M3x10 DIN 965	4
33	017768	El.Stop-Nut M3 DIN 985	4
34	173050	Orifice IEC Device plug Independence	1

4 Control cabinet

Item no.	Article no.	Description	Quantity
35	171374	Cover control cabinet Independence V001	1
36	173047	Seal kit switch cabinet Independence	1
37	173090	Control board Independence	1
39	172920	Plate for switch 0-1 Independence	1
40	172919	Wahltaste rastend 0-1 60°	1
41	172931	Guide grommet Ø16/Ø5-7 t=1-4	1
42	053439	Cylinder head screw M3x6 DIN 912	14
43	018707	Lens head screw M4x10	2
44	173060	Capacitor 10000µF/100VDC Ø51x82	1
45	017709	Cable clamp plastic	6
46	017684	Cylinder head screw M4x45 DIN 912	4
47	171298	Memory token SST16Kb	2
48		Receiver remote control	1
49	038904	Key ring Micropac Mambo 2	1
50	165407	Plastic spacer M3x6 (WM2.0)	8
51	173825	Mains filter 10A Independence	2
52	173814	Hose support Silvyn Klick-RH M16	1
53	014726	Cylinder head screw M6x12 DIN 912	1
54	014815	Hexagon nut M6 DIN985	1
55	164227	Spacer Stud M3x10 SW5,5 Weldmas. 2.0	4
56	163970	IMM Kit Rev.3 (LiPo 1300mAh) Li 5Wh	1
57	176081	Pole protection cap black 35-95 mm ² Ø22	2

5 Cover plate



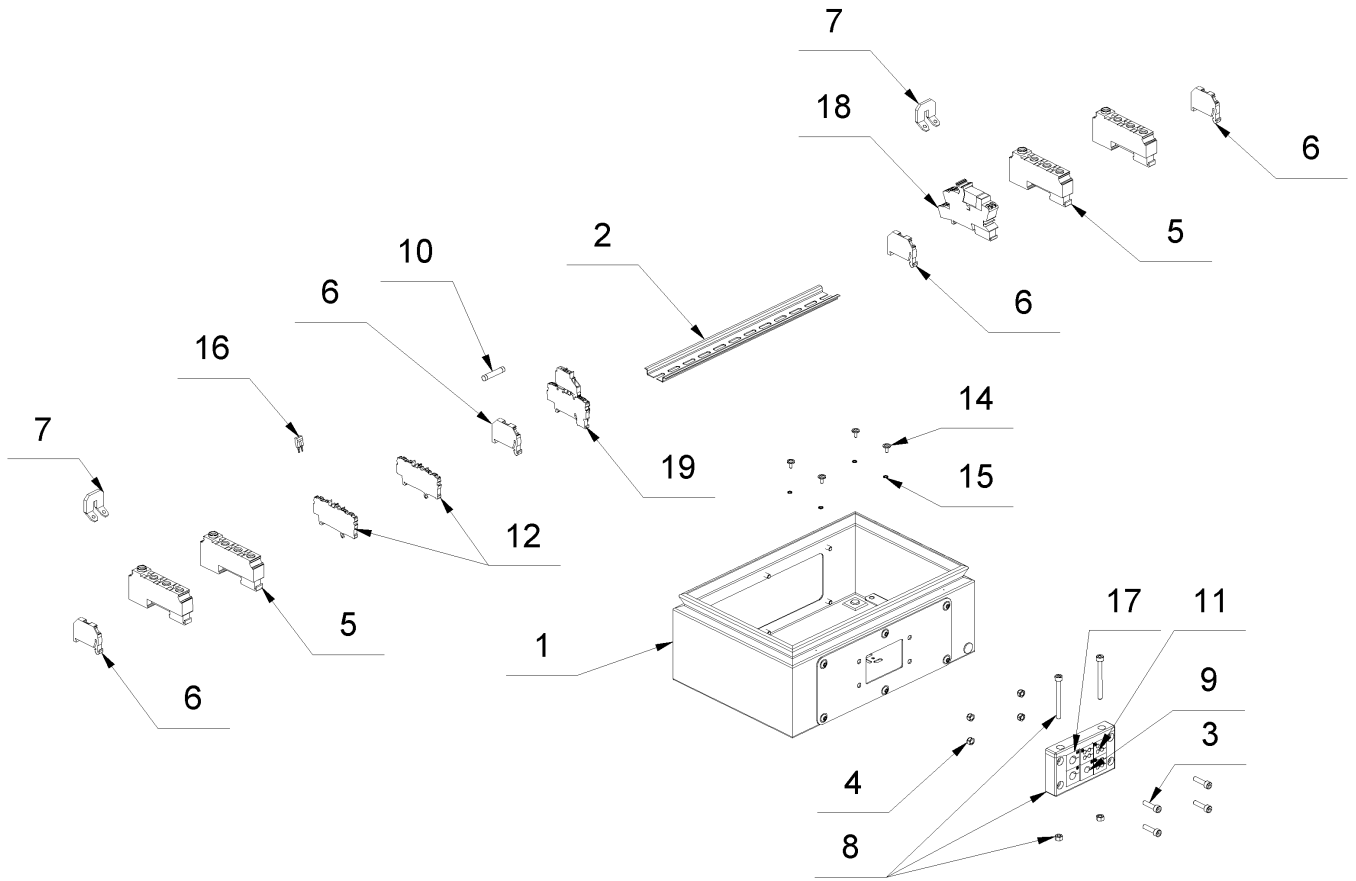
5 Cover plate

Item no.	Article no.	Description	Quantity
2		Control cabinet	1
3	171254	Cover plate Independence	1
4	171372	Traverse Independence	1
5	017651	Cylinder head screw M8x16 DIN 912	6
6	014860	Schnorr Washer M8	6
7	037954	Handle Mambo2/VarioSilent	2
8	172666	Lens screw M8x12 ISO 7380	12
9		Seat rail	2
10	077748	Rubber stop Ø40x30-M8	6
11	168997	Seat Independence	1
12	014817	Hexagon nut M10 DIN 985	8
13	172667	Lens screw M10x25 ISO 7380	8
14	171169	Horn low single tone 24V Independence	1
15	172925	Bracket control panel Independence	1
16	060726	Tether Mambo Evo	1
17	060766	Spring cotter	1
18	076701	Lens head screw M4x12	1
19	172751	Cable entry strip KEL 16 12-E	1
20	172764	Cable grommet KT 17 grey	2
21	172761	Cable grommet KT 8 grey	6
22	174074	Cable grommet KT 10 grey	2
23	172752	Blind grommet BTK grey small	1
24	014814	Stop hexagon nut M5 DIN 985	4
25	018770	El.stop-nut M12 DIN 985	1
26	173059	Reversing warning system Independence	1
27	014731	Cylinder head screw M6x25 DIN 912	4
28	014750	Cylinder head bolt M5x25 DIN 912 microv	4
29	172669	Lens screw M12x30 ISO 7380	4
30	014813	Hexagon nut M4 DIN 985	1
31	014815	Hexagon nut M6 DIN985	5
32	014692	Sheet metal screw HC 3,9x19 DIN7981	4
33	174075	Cable grommet KT 6 grey	1
34	018162	Hexagonal screw M 6x 40 DIN 931	1
35	060534	Tooth lock washer A 6,4 DIN 6797	2

5 Cover plate

Item no.	Article no.	Description	Quantity
36	014809	Hexagon nut M6 DIN 934	1
37	014827	Washer M6 DIN 125 A	1

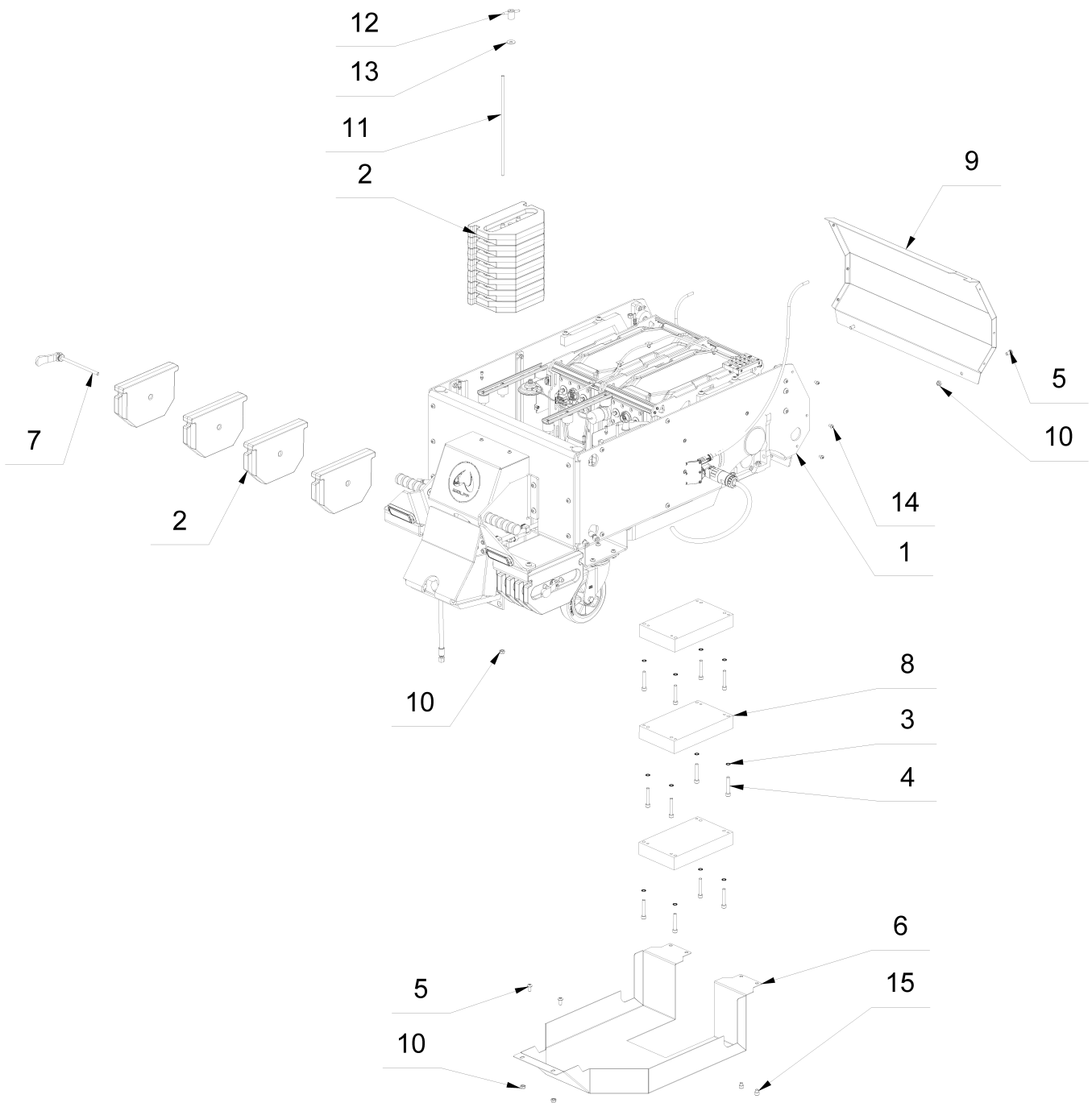
6 Terminal box



6 Terminal box

Item no.	Article no.	Description	Quantity
1	172987	Terminal box front V1 Independence	1
2	173048	Top hat rail TS35/7,5 287mm	1
3	014720	Cylinder head screw M5x20 DIN 912	4
4	014814	Stop hexagon nut M5 DIN 985	4
5	173069	Distribution terminal Wago 284-621	4
6	071895	Top hat rail unclamp 6mm	4
7	173234	Jumper Wago 284-412	2
8	173028	Cable entry strip KEL-U 10/6	1
9	172761	Cable grommet KT 8 grey	1
10	082498	Electrical fuse 5x20mm mitteltrage 2A	1
11	173033	Cable grommet KT 4/Ø5 gray	3
12	068024	Top hat rail through clamp grey 4x	2
14	018708	Lens head screw M3x 8	4
15	017772	Schnorr washer M3	4
16	162792	Comb bridge 2002-402	1
17	174074	Cable grommet KT 10 grey	2
18	174236	Relay module 24V/48V hydraulic unit	1
19	174674	2-wire fuse terminal Independence	1
o.Abb.	173159	DC Main cable 25 ² 2250mm o.Isol.	2
o.Abb.	173073	Battery cable 10 ² I=1000 AEH/RKS M8	4
o.Abb.	173151	Cable hydrmot. current rail 10 ² 400mm	2
o.Abb.	173148	Cable DC chargeur 10 ² 900mm Isol.	4
o.Abb.	173099	Control C. PCB terminal box front 7x1 ²	1
o.Abb.	173071	Contro. Relay HydraulicM. 2x0,75 ²	2
o.Abb.	175625	Single wire Ventile 1 ² I=250	4
o.Abb.	173152	Cable emergency stop board bk 0,5 ² 250mm	2

7 Weights



7 Weights

Item no.	Article no.	Description	Quantity
1		Cover plate	1
2	173720	Additional weight 12.5kg Independence	8
3	014861	Washer M10	12
4	018299	Cylinder head screw M10x65 DIN 912	12
5	040261	Lens screw M10x20 ISO 7380	4
6	171375	Underbody protection Independence	1
7	087887	Eccentric lever length M10x185mm	4
8	172744	Intermediate weight 22kg Independence	3
9	171369	Tail plate Independence	1
10	014817	Hexagon nut M10 DIN 985	6
11	174200	Threaded rod M10x400 Independence	2
12	173815	Quick release toggle M10 Independence	2
13	018236	Washer 10.5 DIN 9021	2
14	172666	Lens screw M8x12 ISO 7380	6
15	088664	Cylinder head screw M 10x10 DIN 912	4

8 Tools

Item no.	Article no.	Description	Quantity
1	172781	Blade holder 250 Independence	1
2	171083	Knife holder 350 Independence	1
3	173066	Blade holder 450 Independence	1
4	173483	Blade holder 840 Independence	1
5	173490	Spare blade 840x120x1,5 UT/5pcs.	1
6	173491	Spare blade 840x60x1,5 UT/5Stk.	1
7	173038	Hammer-Chisel 115mm Independence	1
8	173056	Hammer-Chisel 75mm Independence	1
9	173211	HM chisel 115 Independence	1
10	173210	HM Chisel 69 Independence	1
11	173452	KS-U-Blade 250x60x3x45° bevel up	1
12	173465	KS-U-Blade 250x60x3x45° bevel down	1
13	173451	KS-U-Blade 350x60x3x45° bevel up	1
14	173464	KS-U-Blade 350x60x3x45° bevel down	1
15	173463	KS-U-Blade 350x80x3x45° bevel up	1
16	173450	KS-U-Blade 350x80x3x45° bevel down	1

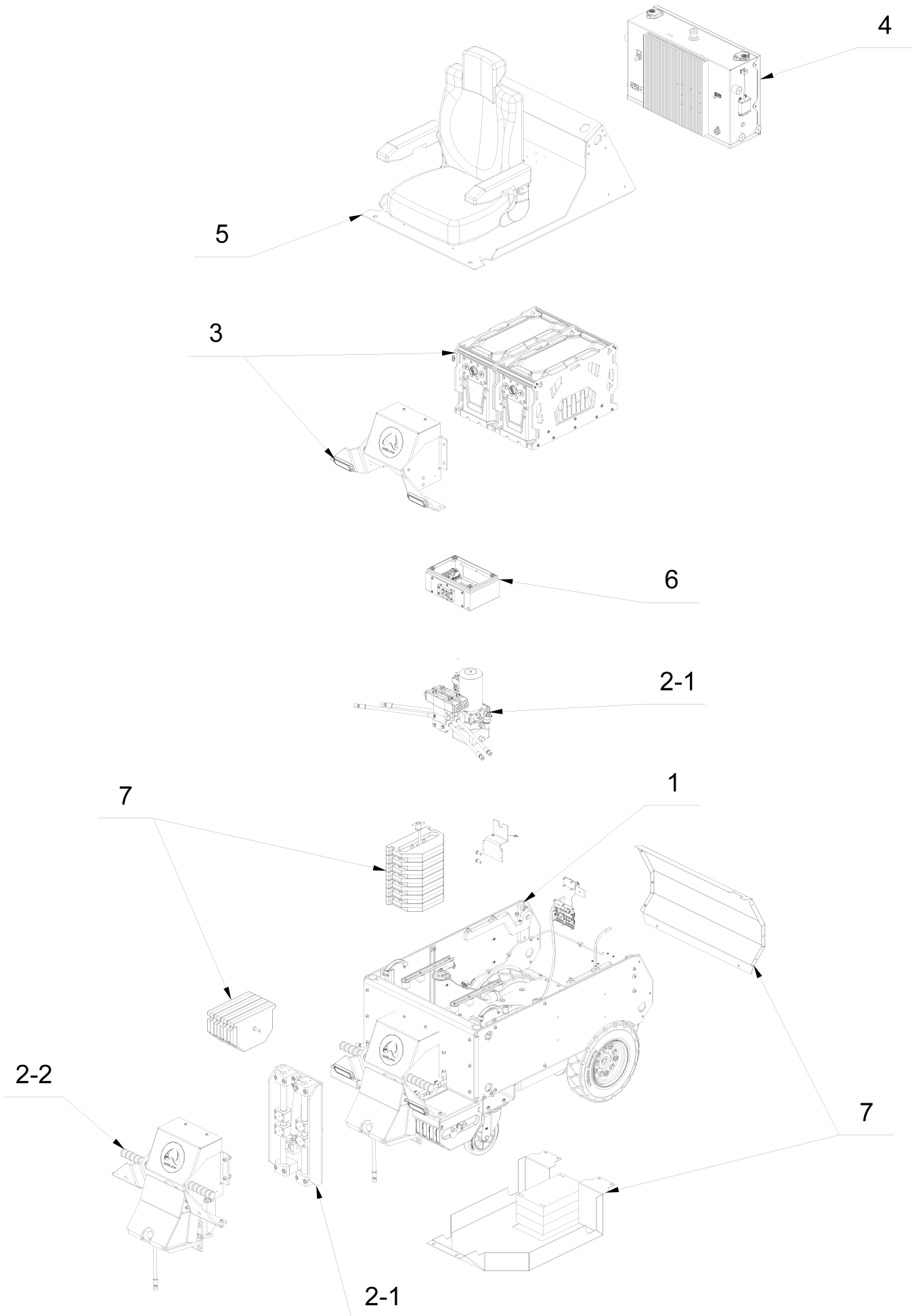
9 Accessories N001+N002

Item no.	Article no.	Description	Quantity
1	010758	Carrying case midi3 SEE 171220	1
2	019141	T-handle 6-kt SW 6	1
3	172979	Folding slint 8x45 Independence	1
4	173024	Charging cable Independence EU	1
4	175398	Charging cable Independence AU 230V	1
4	175395	Charging cable Independence CH 230V	1
4	175399	Charging cable Independence DK 230V	1
4	175396	Charging cable Independence UK 115V/32A	1
5	164858	AA-Batteries rechargeable NiMH 2400mAh	1
6	171324	Remote system V1-2,4GHz SEE 174090	1
7	174095	Control panel V1-2,4GHz SEE 174091	1
8	174098	RC Receiver V1-2,4GHz SEE 174092	1

9 Accessories N003+N010

Item no.	Article no.	Description	Quantity
1	010758	Carrying case midi3 SEE 171220	1
2	019141	T-handle 6-kt SW 6	1
3	172979	Folding slint 8x45 Independence	1
4	173024	Charging cable Independence EU	1
4	175398	Charging cable Independence AU 230V	1
4	175395	Charging cable Independence CH 230V	1
4	175399	Charging cable Independence DK 230V	1
4	175396	Charging cable Independence UK 115V/32A	1
5	164858	AA-Batteries rechargeable NiMH 2400mAh	1
6	174090	Remote system V2-2,4GHz Independence	1
7	174091	control panel V2-2,4GHz Independence	1
8	174092	RC Receiver V2-2,4GHz Independence	1

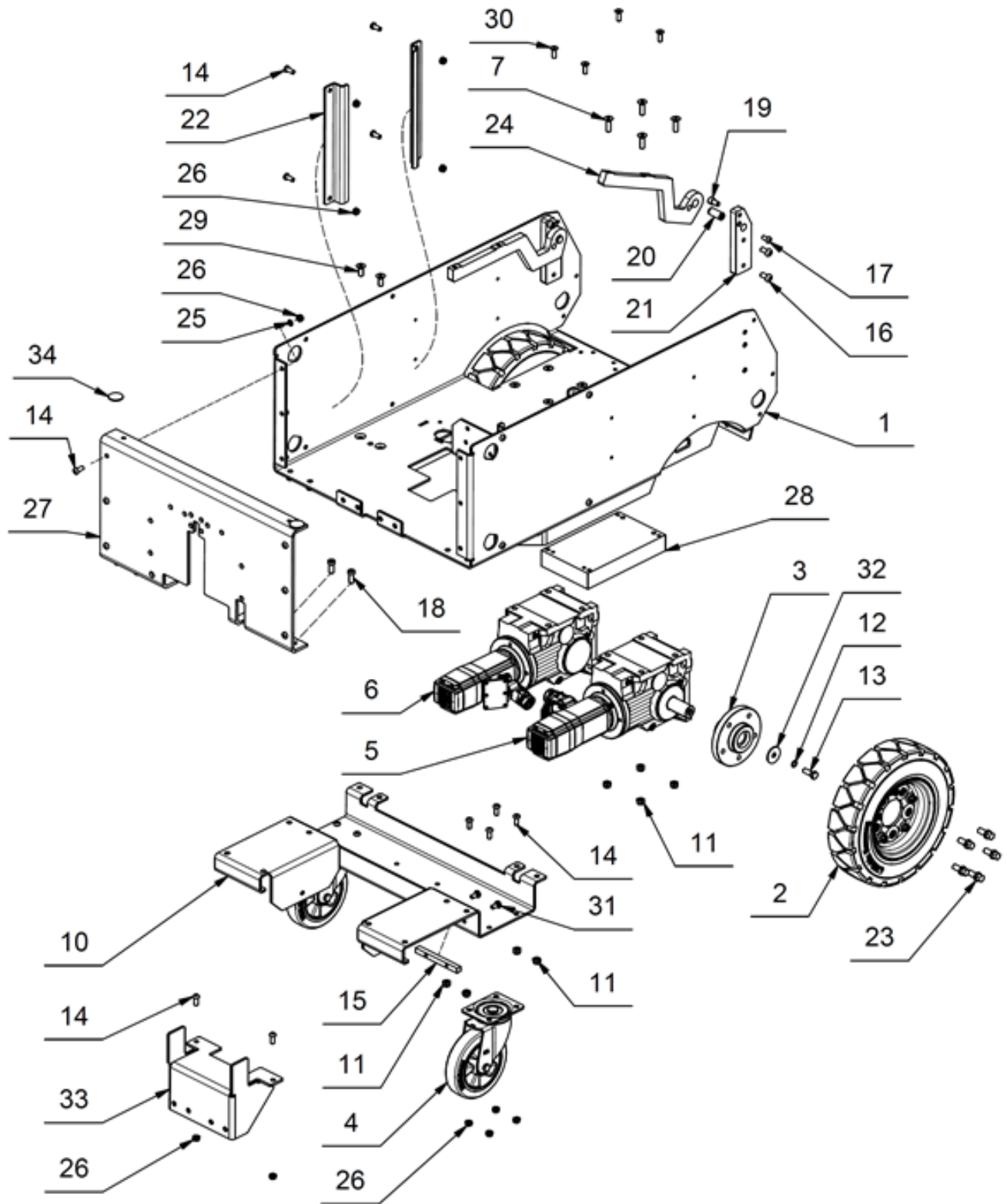
3 Independence EU S001 (0011/03-2023 - 0021/04-2023)



3 Independence EU S001 (0011/03-2023 - 0021/04-2023)

Item no.	Article no.	Description
1	01_01_168801	Chassis
2-1	03_02-1_168801	Hydraulics 1
2-2	03_02-2_168801	Hydraulics 2
3	01_03_168801	LED/Battery
4	01_04_168801	Control cabinet
5	03_05_168801	Cover plate
6	01_06_168801	Terminal box
7	01_07_168801	Weights
8	01_08_173933	Tools
9	01_09_173746	Accessories

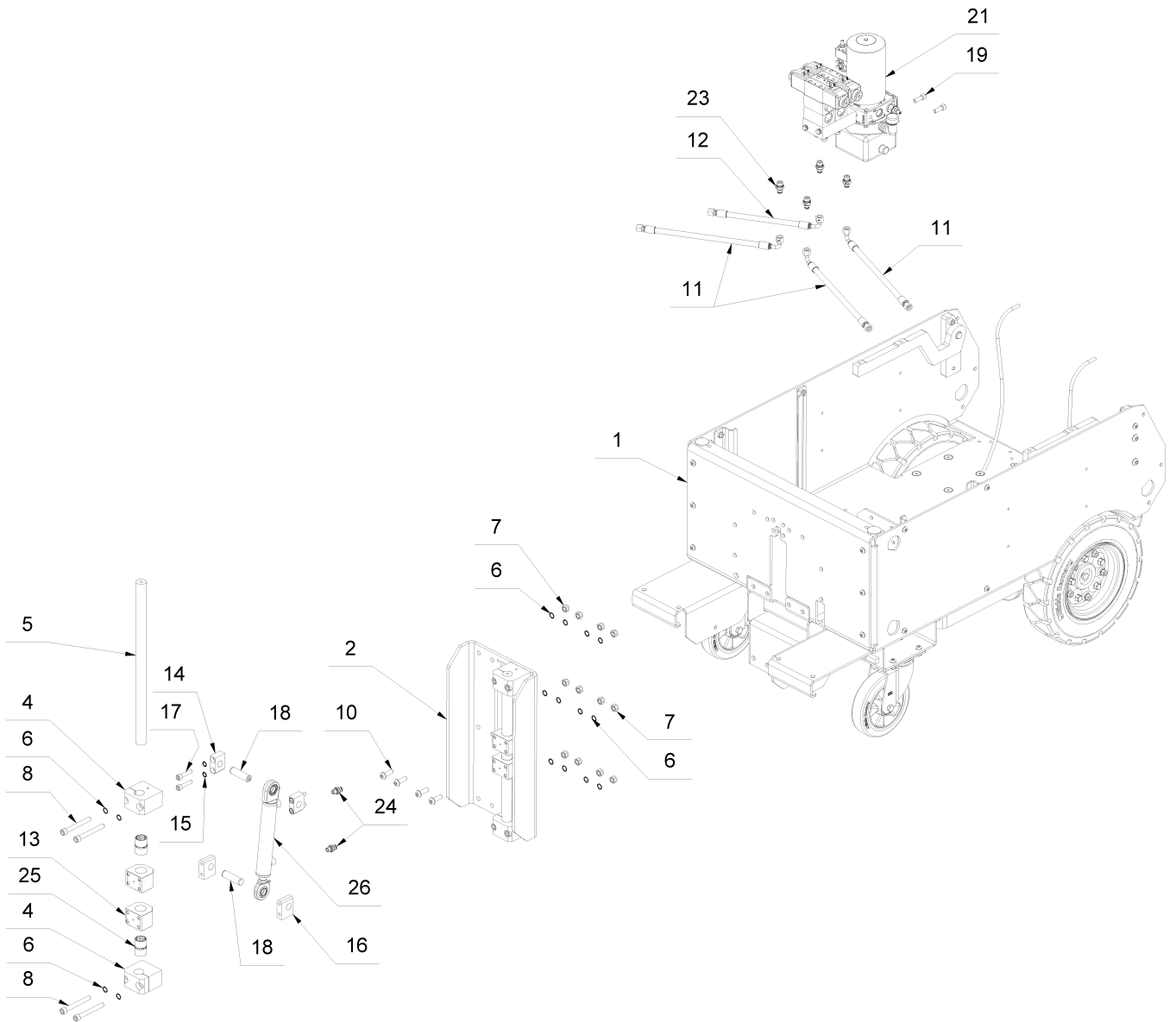
1 Chassis



1 Chassis

Item no.	Article no.	Description	Quantity
1	171256	Chassis Independence	1
2	169459	Drive wheel 405x105 grey Independence	2
3	169461	Wheel hub Independence	2
4	169480	Steering wheel Ø200 grey Independence	2
5	168856	Bevel gear motor left Independence	1
6	168871	Bevel gear motor right Independence	1
7	172700	Countersunk screw M12x40 DIN 7991 10.9	8
8	168744	Cable motor Ø16 orange Independence	2
9	168875	Resolver cable Ø9 green Independence	2
10	171359	SG Pick up swivel castors Independence	1
11	018770	El.stop-nut M12 DIN 985	17
12	014862	Washer M12	2
13	016752	Hexagonal screw M12x 35 DIN 933	2
14	172667	Lens screw M10x25 ISO 7380	24
15	171184	Bar additional weight Independence	2
16	172668	Lens screw M12x25 ISO 7380	4
17	040261	Lens screw M10x20 ISO 7380	2
18	172670	Lens screw M12x35 ISO 7380	4
19	017614	Cylinder head screw M12x20 DIN 912	2
20	172703	Cylindrical pin 20x45 DIN 7979	2
21	171104	Holder lid hinge Independence	2
22	173170	Bracket additional weights Independence	4
23	171746	Ball collar screw M14x1,5-27 DIN 74361	10
24	171260	Cover hinge Independence	2
25	014861	Washer M10	6
26	014817	Hexagon nut M10 DIN 985	24
27	171366	Front plate Independence	1
28	172744	Intermediate weight 22kg Independence	1
29	172679	Countersunk screw M12x30 DIN 7991 10.9	4
30	018336	Countersunk screw M10x30 DIN 7991 10.9	4
31	083696	Hexagonal screw M 10x20 DIN933 8.8 vz.	4
32	173506	Fender washer Ø13xØ48x3 DIN522 galv.	2
33	171368	Counter bearing Independence	1
34	060979	Felt sheet black Ø 40x3	2

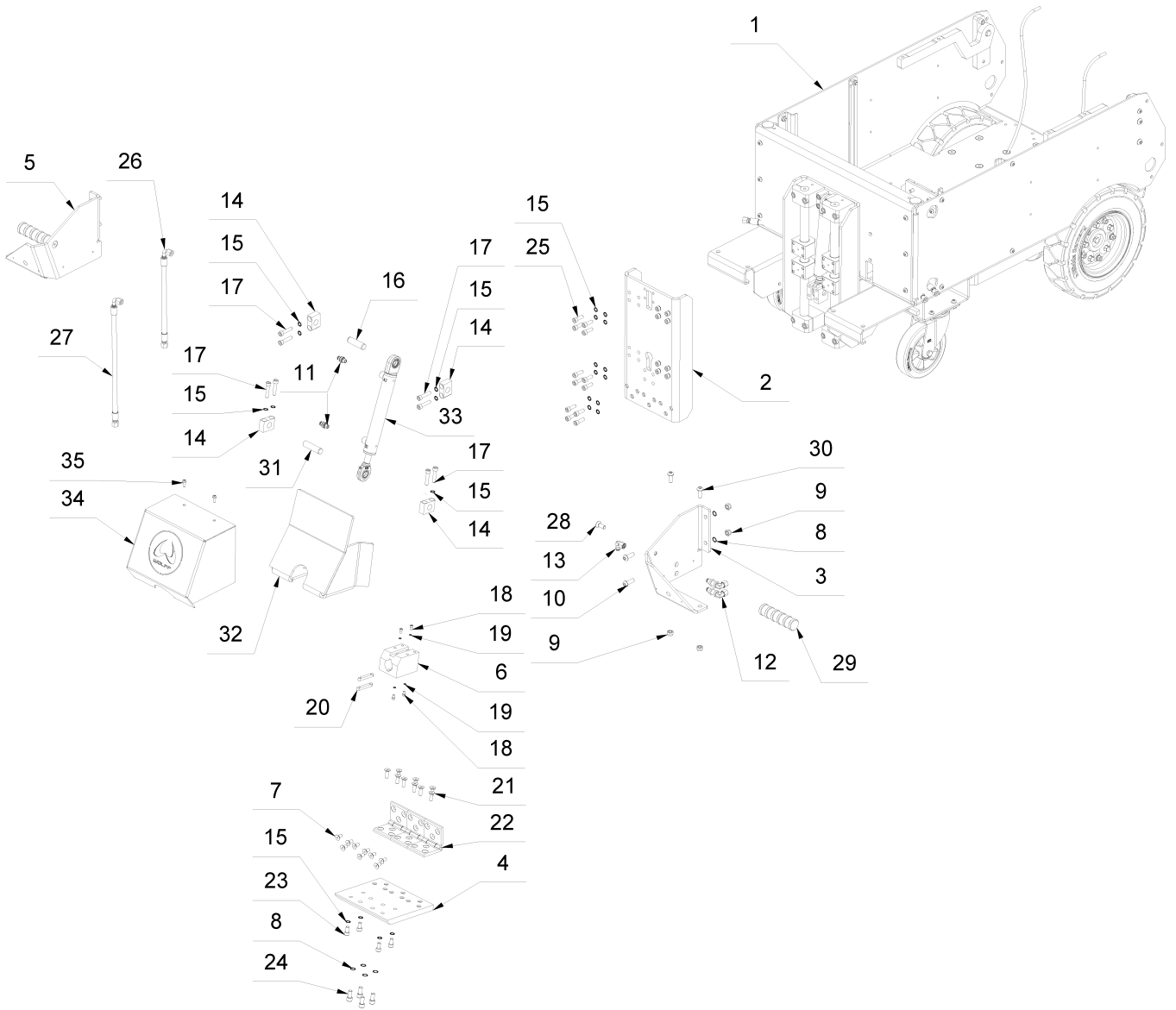
2-1 Hydraulics 1



2-1 Hydraulics 1

Item no.	Article no.	Description	Quantity
1		Chassis	1
2	171391	Linear guide at the rear Independence	1
4	171182	Bearing block fix.Linear guide Independe	4
5	170543	Shaft linear guide Ø30x540mm Independenc	2
6	014862	Washer M12	20
7	018770	El.stop-nut M12 DIN 985	12
8	161846	Cylinder screw 8.8 M12x100 DIN 912	8
10	172670	Lens screw M12x35 ISO 7380	4
11	173609	Hose pipe 425 Independence	3
12	173614	Hose pipe 330 Independence	1
13	173051	Bearing block IGUS Independence	4
14	171106	Bearing block cylinder DULO Independence	2
15	014861	Washer M10	4
16	171107	Bearing block cylinder M10 Independence	2
17	014741	Cylinder head screw M10x45 DIN 912	4
18	074051	Cylindrical pin 20x70 DIN 7979	2
19	018300	Cylinder head screw M10x30 DIN 912	2
21	169556	Hydraulic power unit 2kW V1 Independence	1
23	173602	Straight cutting ring lock G3/8"	4
24	173603	Straight cutting ring lock G1/4" Indep.	2
25	173098	Sliding film JUM 02-30 IGUS	4
26	169944	Hydraulikzylinder H150 Independence	1
27	174233	Pole protection cap black 50mm head 18mm	1
28	174232	Pole protection cap red 50mm head 18mm	1

2-2 Hydraulics 2



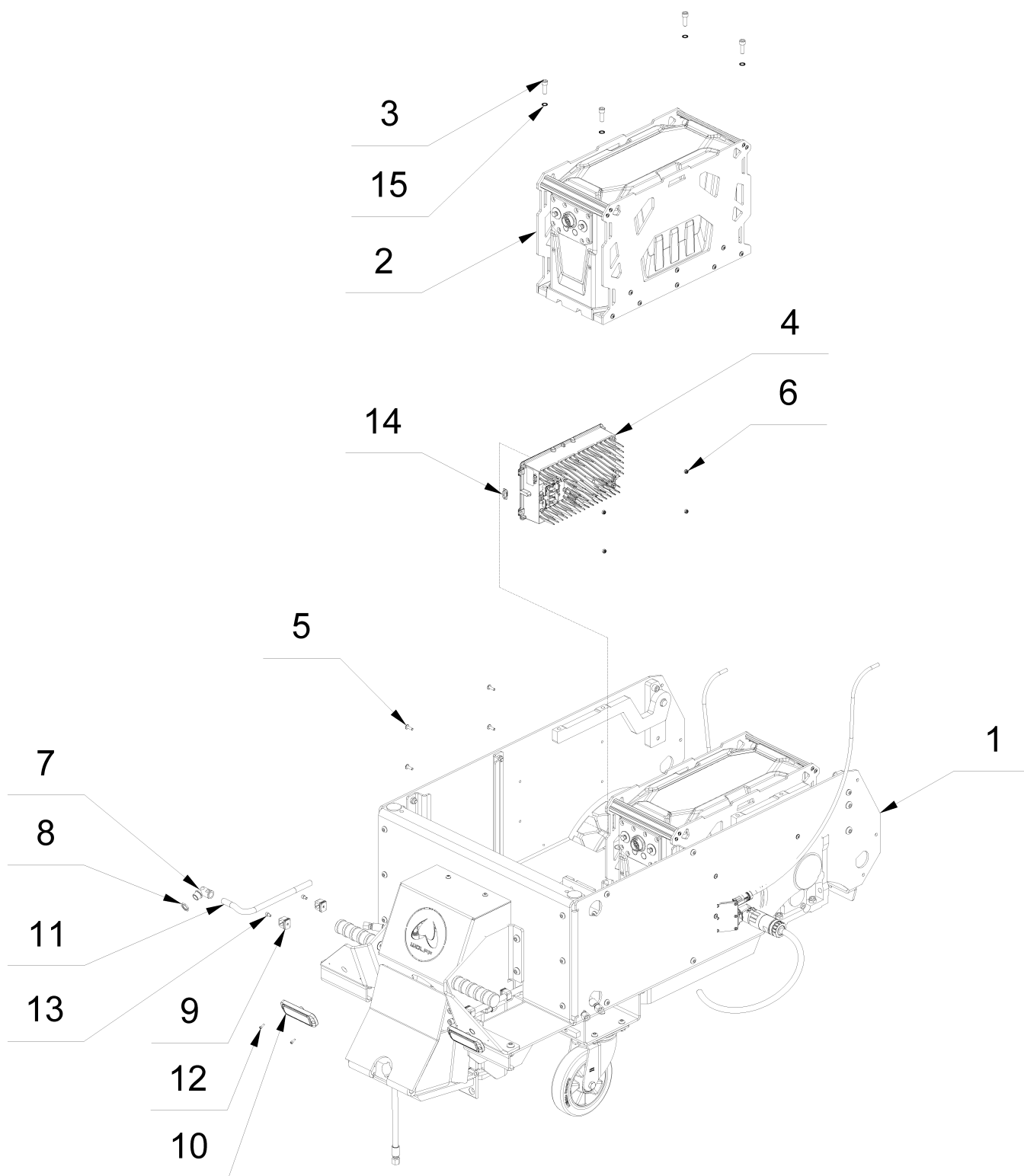
2-2 Hydraulics 2

Item no.	Article no.	Description	Quantity
1		Hydraulics 1 N001	1
2	171258	Linear guide in front Independence	1
3	174304	Bulkhead plate left Independence	1
4	171323	Tool mounting plate	1
5	174303	Bulkhead plate right Independence	1
6	171383	Chisel holder Independence	1
7	014762	Countersunk screw M10x20 DIN7991 10.9	9
8	014862	Washer M12	8
9	018770	El.stop-nut M12 DIN 985	8
10	172670	Lens screw M12x35 ISO 7380	4
11	173603	Straight cutting ring lock G1/4" Indep.	2
12	173598	Schott Elbow fitting M16x1,5 Independenc	2
13	173597	Elbow fitting M16x1,5 Independence	1
14	171106	Bearing block cylinder DULO Independence	4
15	014861	Washer M10	33
16	074051	Cylindrical pin 20x70 DIN 7979	1
17	014741	Cylinder head screw M10x45 DIN 912	8
18	017697	Cylinder head screw M6x10 DIN 912	4
19	014859	Schnorr washer M6	4
20	172712	Pass spring 10x8x70 with thread Independ	2
21	018336	Countersunk screw M10x30 DIN 7991 10.9	9
22	170189	Stainless steel hinge Independence	6
23	018301	Cylinder head screw M10x20 DIN 912	4
24	018297	Cylinder head screw M12x25 DIN 912	4
25	018300	Cylinder head screw M10x30 DIN 912	20
26	173608	Hose pipe 380 Independence	1
27	173615	Hose pipe 500 Independence	1
28	172679	Countersunk screw M12x30 DIN 7991 10.9	2
29	172631	Footrest Independence	2
30	172668	Lens screw M12x25 ISO 7380	4
31	173057	Cylindrical pin 20x80 DIN 6325	1
32	173835	Deflector 260 Independence	1
33	169946	Hydraulikzylinder H200-90° Independence	1
34	171356	Cover lift cylinder Independence	1

2-2 Hydraulics 2

Item no.	Article no.	Description	Quantity
35	047385	Lens head screw M8x20	2

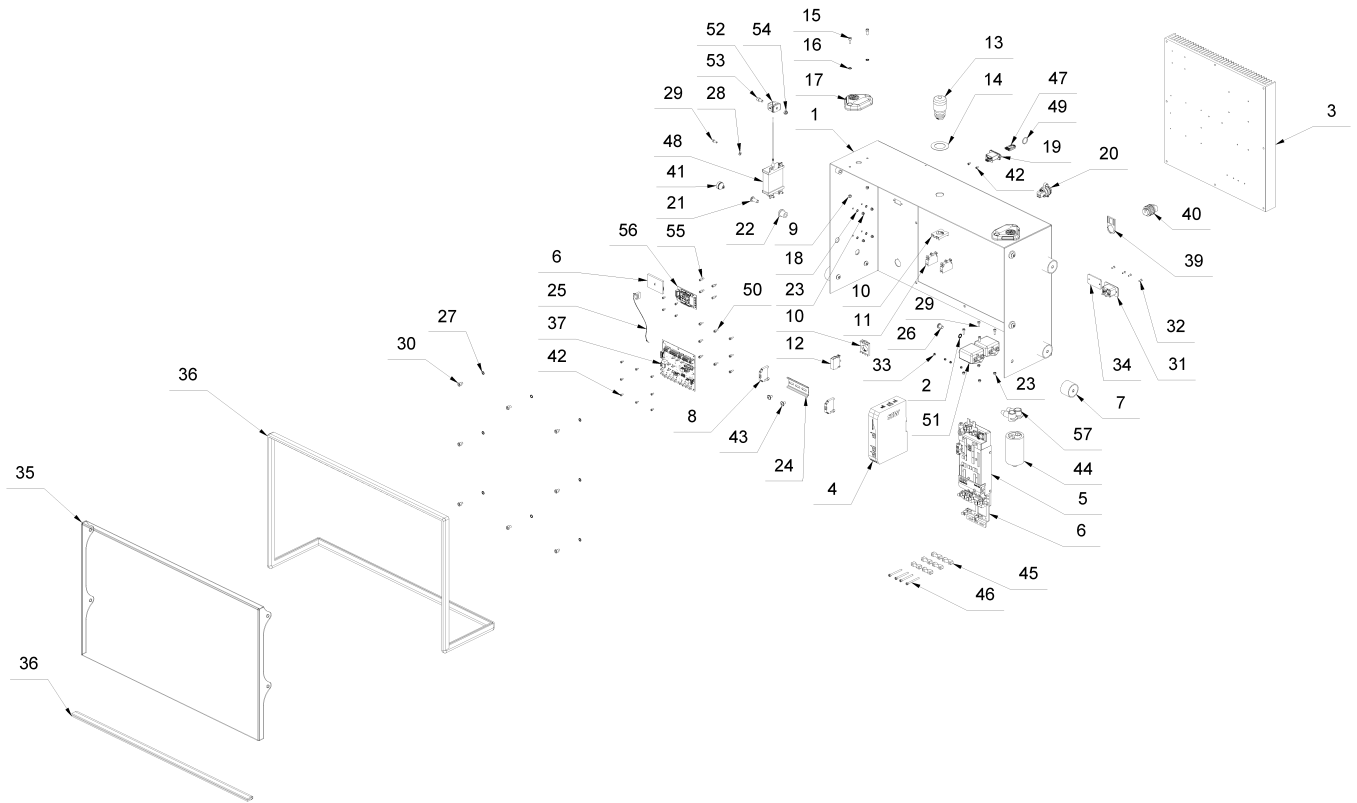
3 LED/Battery



3 LED/Battery

Item no.	Article no.	Description	Quantity
1		Hydraulics 2	1
2	172588	Battery Li-Io 5kW-100Ah Independence	2
3	018300	Cylinder head screw M10x30 DIN 912	8
4	172630	Battery charger B&S Independence	2
5	018706	Lens head screw M6x20	8
6	014815	Hexagon nut M6 DIN985	9
7	088344	Elbow fitting M20x1,5/1GY	2
8	088345	Lock nut M20x1,5	2
9	173814	Hose support Silvyn Klick-RH M16	4
10	173687	LED Spotlight W229 Independence	2
11	173817	Corrugated hose 350 mm LED Independence	1
12	018284	Cylinder head screw M4x12 DIN 912	4
13	017697	Cylinder head screw M6x10 DIN 912	4
14	175363	Connector Can-Bus Independence	1
15	014861	Washer M10	8

4 Control cabinet



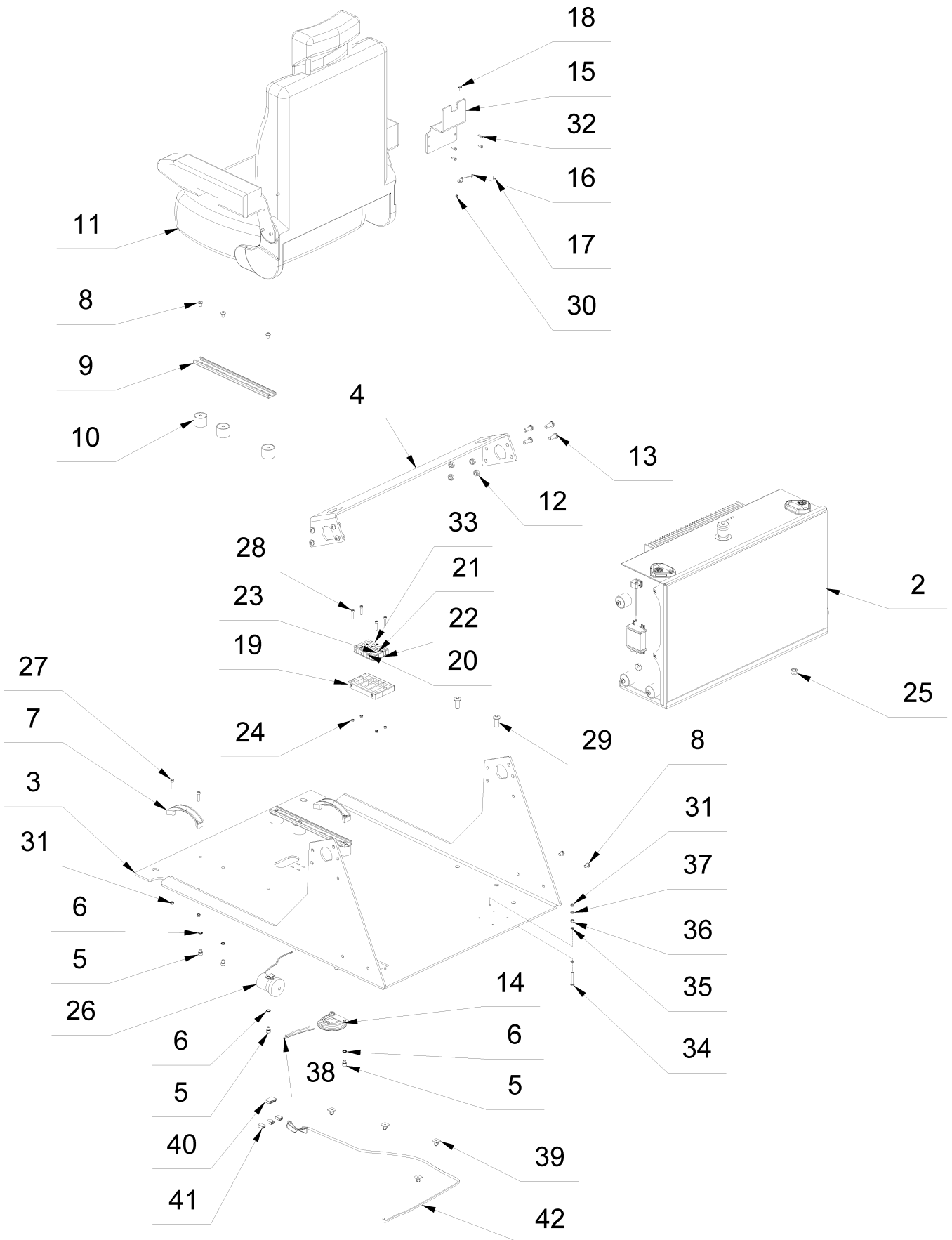
4 Control cabinet

Item no.	Article no.	Description	Quantity
1	171373	Control cabinet Independence	1
2	014860	Schnorr Washer M8	6
3	172853	Cooling body Independence	1
4	178963	Controller Independence	1
5	168805	Inverter/power supply Independence	1
6	089108	IMM Battery (LiPo 1260mAh) Li 5Wh	1
7	077748	Rubber stop Ø40x30-M8	6
8	071895	Top hat rail unclamp 6mm	2
9	014814	Stop hexagon nut M5 DIN 985	4
10	017503	Adapterattachment	2
11	017507	Contact element open NC	2
12	017505	Contact element shut NO	1
13	052443	Safety switch	1
14	136966	Label emergency C-Stiel	1
15	017561	Cylinder head screw M5x12 DIN 912	4
16	014858	Schnorr washer M5	4
17	172843	Warning light 24V Independence	2
18	016961	Snorr washer M4	4
19	171297	Socket key switch SR4310SP	1
20	171292		1
21	047385	Lens head screw M8x20	4
22	172790	Riveting nut Chloroprene black M8	4
23	014813	Hexagon nut M4 DIN 985	8
24	085576	Top hat rail 80 mm	1
25	174241	Connecting cable IMM Independence	1
26	172666	Lens screw M8x12 ISO 7380	6
27	014859	Schnorr washer M6	8
28	017452	Washer M4 DIN 125 B	4
29	018284	Cylinder head screw M4x12 DIN 912	8
30	018256	Cylinder head screw M6x8 DIN 912	8
31	171445	IEC device connector C22 Independence	1
32	018332	Countersunk screw M3x10 DIN 965	4
33	017768	El.Stop-Nut M3 DIN 985	4
34	173050	Orifice IEC Device plug Independence	1

4 Control cabinet

Item no.	Article no.	Description	Quantity
35	171374	Cover control cabinet Independence V001	1
36	173047	Seal kit switch cabinet Independence	1
37	173090	Control board Independence	1
39	172920	Plate for switch 0-1 Independence	1
40	172919	Wahltaste rastend 0-1 60°	1
41	172931	Guide grommet Ø16/Ø5-7 t=1-4	1
42	053439	Cylinder head screw M3x6 DIN 912	14
43	018707	Lens head screw M4x10	2
44	173060	Capacitor 10000µF/100VDC Ø51x82	1
45	017709	Cable clamp plastic	6
46	017684	Cylinder head screw M4x45 DIN 912	4
47	171298	Memory token SST16Kb	2
48		Receiver remote control	1
49	038904	Key ring Micropac Mambo 2	1
50	165407	Plastic spacer M3x6 (WM2.0)	8
51	173825	Mains filter 10A Independence	2
52	173814	Hose support Silvyn Klick-RH M16	1
53	014726	Cylinder head screw M6x12 DIN 912	1
54	014815	Hexagon nut M6 DIN985	1
55	164227	Spacer Stud M3x10 SW5,5 Weldmas. 2.0	4
56	163970	IMM Kit Rev.3 (LiPo 1300mAh) Li 5Wh	1
57	176081	Pole protection cap black 35-95 mm² Ø22	2

5 Cover plate



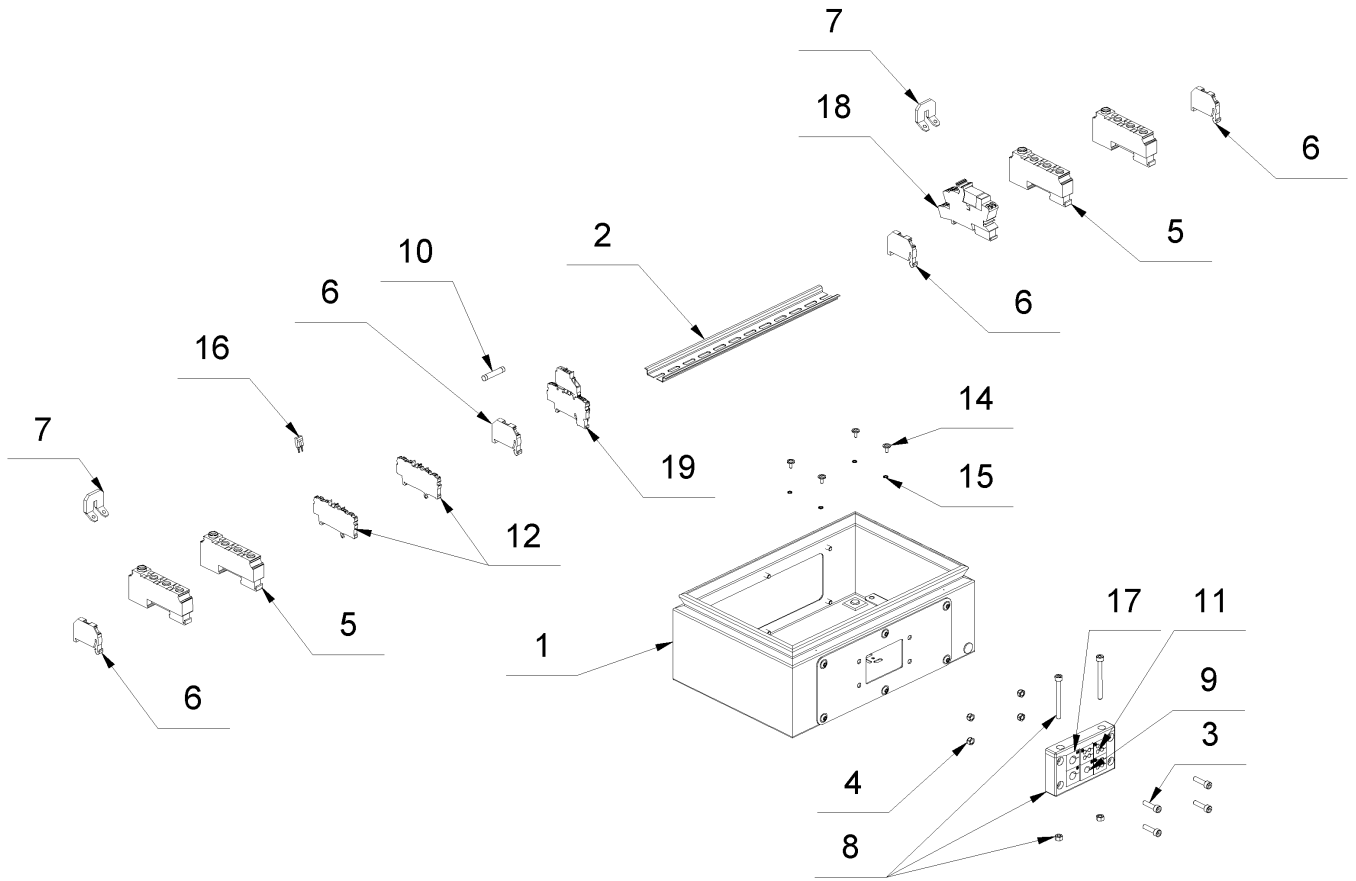
5 Cover plate

Item no.	Article no.	Description	Quantity
2		Control cabinet	1
3	171254	Cover plate Independence	1
4	171372	Traverse Independence	1
5	017651	Cylinder head screw M8x16 DIN 912	6
6	014860	Schnorr Washer M8	6
7	037954	Handle Mambo2/VarioSilent	2
8	172666	Lens screw M8x12 ISO 7380	12
9		Seat rail	2
10	077748	Rubber stop Ø40x30-M8	6
11	168997	Seat Independence	1
12	014817	Hexagon nut M10 DIN 985	8
13	172667	Lens screw M10x25 ISO 7380	8
14	171169	Horn low single tone 24V Independence	1
15	172925	Bracket control panel Independence	1
16	060726	Tether Mambo Evo	1
17	060766	Spring cotter	1
18	076701	Lens head screw M4x12	1
19	172751	Cable entry strip KEL 16 12-E	1
20	172764	Cable grommet KT 17 grey	2
21	172761	Cable grommet KT 8 grey	6
22	174074	Cable grommet KT 10 grey	2
23	172752	Blind grommet BTK grey small	1
24	014814	Stop hexagon nut M5 DIN 985	4
25	018770	El.stop-nut M12 DIN 985	1
26	173059	Reversing warning system Independence	1
27	014731	Cylinder head screw M6x25 DIN 912	4
28	014750	Cylinder head bolt M5x25 DIN 912 microv	4
29	172669	Lens screw M12x30 ISO 7380	4
30	014813	Hexagon nut M4 DIN 985	1
31	014815	Hexagon nut M6 DIN985	5
32	019540	Pan-head tapping screw 4.2x16 DIN 7981 C	4
33	174075	Cable grommet KT 6 grey	1
34	018162	Hexagonal screw M 6x 40 DIN 931	1
35	060534	Tooth lock washer A 6,4 DIN 6797	2

5 Cover plate

Item no.	Article no.	Description	Quantity
36	014809	Hexagon nut M6 DIN 934	1
37	014827	Washer M6 DIN 125 A	1

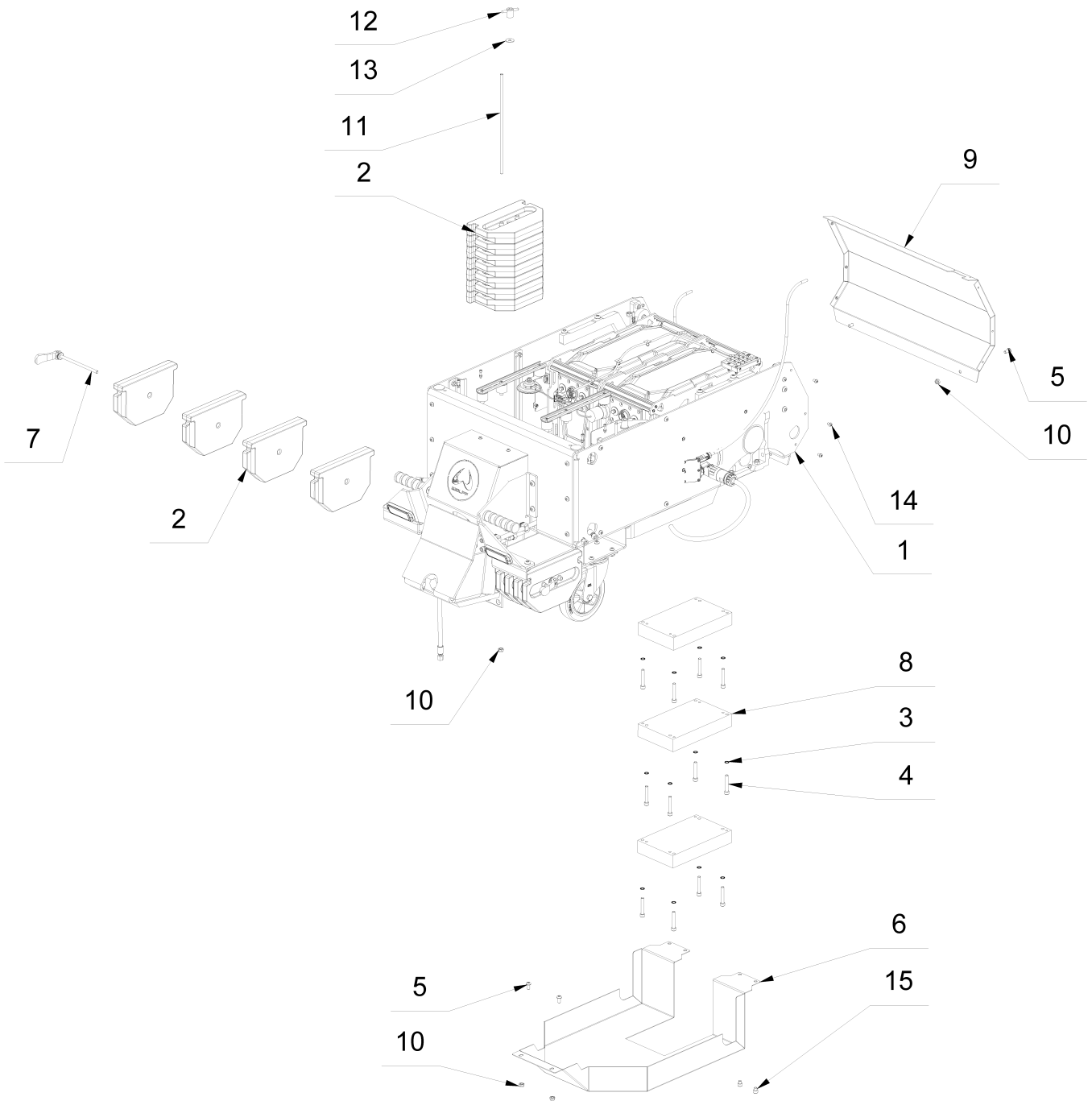
6 Terminal box



6 Terminal box

Item no.	Article no.	Description	Quantity
1	172987	Terminal box front V1 Independence	1
2	173048	Top hat rail TS35/7,5 287mm	1
3	014720	Cylinder head screw M5x20 DIN 912	4
4	014814	Stop hexagon nut M5 DIN 985	4
5	173069	Distribution terminal Wago 284-621	4
6	071895	Top hat rail unclamp 6mm	4
7	173234	Jumper Wago 284-412	2
8	173028	Cable entry strip KEL-U 10/6	1
9	172761	Cable grommet KT 8 grey	1
10	082498	Electrical fuse 5x20mm mittelträge 2A	1
11	173033	Cable grommet KT 4/Ø5 gray	3
12	068024	Top hat rail through clamp grey 4x	2
14	018708	Lens head screw M3x 8	4
15	017772	Schnorr washer M3	4
16	162792	Comb bridge 2002-402	1
17	174074	Cable grommet KT 10 grey	2
18	174236	Relay module 24V/48V hydraulic unit	1
19	174674	2-wire fuse terminal Independence	1
o.Abb.	173159	DC Main cable 25 ² 2250mm o.Isol.	2
o.Abb.	173073	Battery cable 10 ² I=1000 AEH/RKS M8	4
o.Abb.	173151	Cable hydrmot. current rail 10 ² 400mm	2
o.Abb.	173148	Câble DC chargeur 10 ² 900mm Isol.	4
o.Abb.	173099	Control C. PCB terminal box front 7x1 ²	1
o.Abb.	173071	Contro. Relay HydraulicM. 2x0,75 ²	2
o.Abb.	175625	Single wire Ventile 1 ² I=250	4
o.Abb.	173152	Cable emergency stop board bk 0,5 ² 250mm	2

7 Weights



7 Weights

Item no.	Article no.	Description	Quantity
1		Cover plate	1
2	173720	Additional weight 12.5kg Independence	8
3	014861	Washer M10	12
4	018299	Cylinder head screw M10x65 DIN 912	12
5	040261	Lens screw M10x20 ISO 7380	4
6	171375	Underbody protection Independence	1
7	087887	Eccentric lever length M10x185mm	4
8	172744	Intermediate weight 22kg Independence	3
9	171369	Tail plate Independence	1
10	014817	Hexagon nut M10 DIN 985	6
11	174200	Threaded rod M10x400 Independence	2
12	173815	Quick release toggle M10 Independence	2
13	018236	Washer 10.5 DIN 9021	2
14	172666	Lens screw M8x12 ISO 7380	6
15	088664	Cylinder head screw M 10x10 DIN 912	4

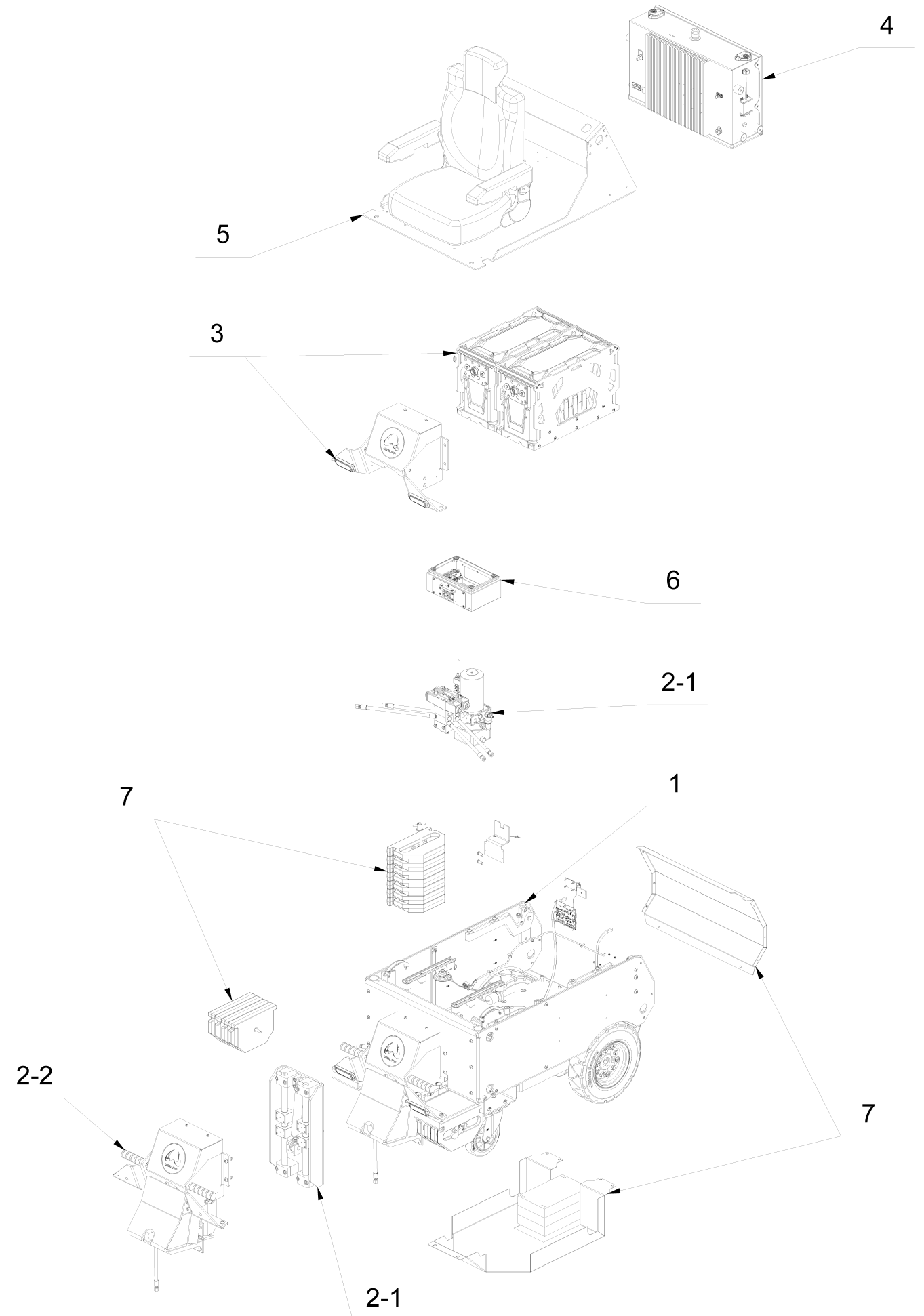
8 Tools

Item no.	Article no.	Description	Quantity
1	172781	Blade holder 250 Independence	1
2	171083	Knife holder 350 Independence	1
3	173066	Blade holder 450 Independence	1
4	173483	Blade holder 840 Independence	1
5	173490	Spare blade 840x120x1,5 UT/5pcs.	1
6	173491	Spare blade 840x60x1,5 UT/5Stk.	1
7	173038	Hammer-Chisel 115mm Independence	1
8	173056	Hammer-Chisel 75mm Independence	1
9	173211	HM chisel 115 Independence	1
10	173210	HM Chisel 69 Independence	1
11	173452	KS-U-Blade 250x60x3x45° bevel up	1
12	173465	KS-U-Blade 250x60x3x45° bevel down	1
13	173451	KS-U-Blade 350x60x3x45° bevel up	1
14	173464	KS-U-Blade 350x60x3x45° bevel down	1
15	173463	KS-U-Blade 350x80x3x45° bevel up	1
16	173450	KS-U-Blade 350x80x3x45° bevel down	1

9 Accessories

Item no.	Article no.	Description	Quantity
1	010758	Carrying case midi3 SEE 171220	1
2	019141	T-handle 6-kt SW 6	1
3	172979	Folding slint 8x45 Independence	1
4	173024	Charging cable Independence EU	1
4	175398	Charging cable Independence AU 230V	1
4	175395	Charging cable Independence CH 230V	1
4	175399	Charging cable Independence DK 230V	1
4	175396	Charging cable Independence UK 115V/32A	1
5	164858	AA-Batteries rechargeable NiMH 2400mAh	1
6	174090	Remote system V2-2,4GHz Independence	1
7	174091	control panel V2-2,4GHz Independence	1
8	174092	RC Receiver V2-2,4GHz Independence	1

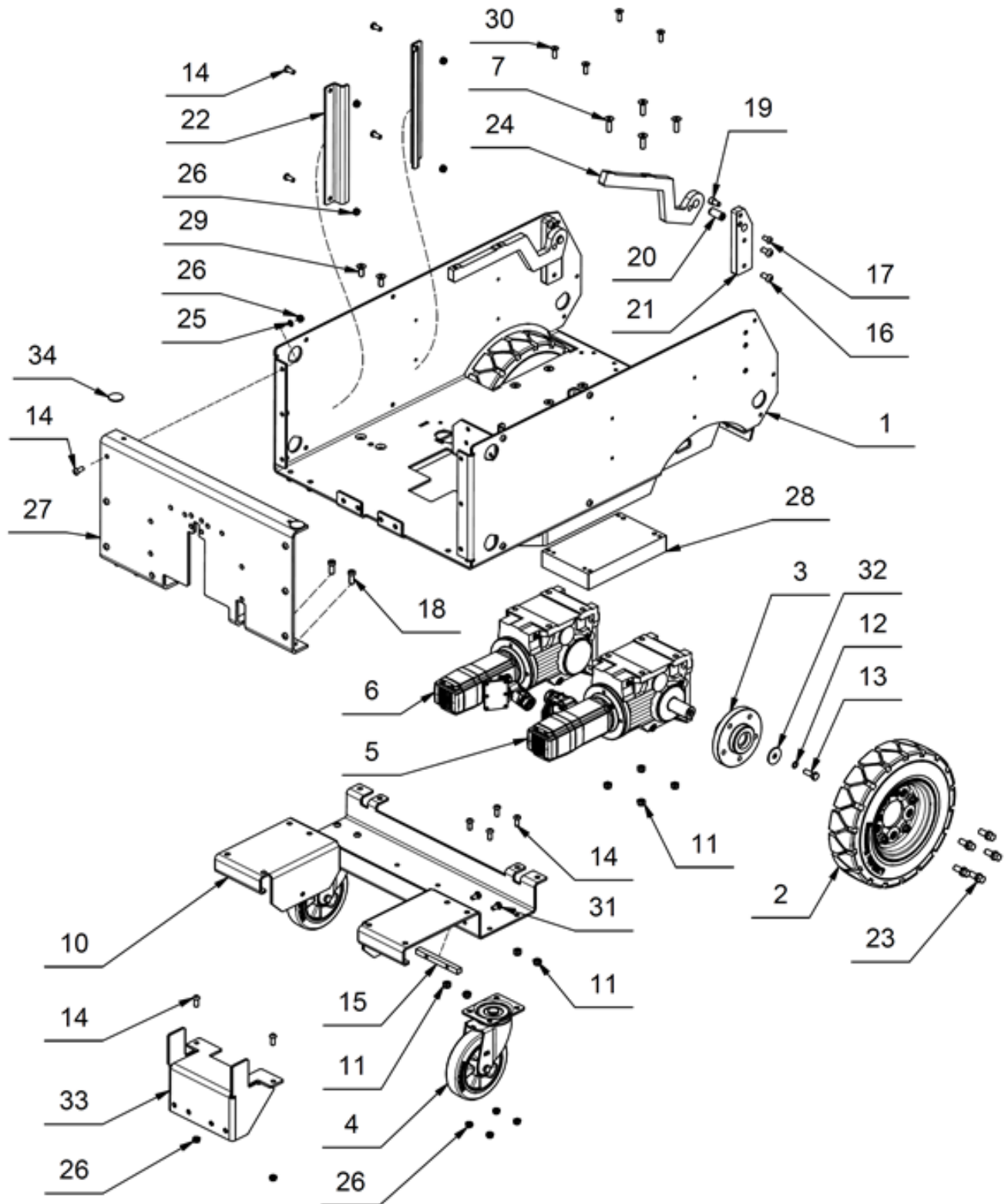
4 Independence EU S002 (0022/05-2023 - heute)



4 Independence EU S002 (0022/05-2023 - heute)

Item no.	Article no.	Description
1	01_01_168801	Chassis
2-1	04_02-1_168801	Hydraulics 1
2-2	03_02-2_168801	Hydraulics 2
3	01_03_168801	LED/Battery
4	01_04_168801	Control cabinet
5	03_05_168801	Cover plate
6	02_06_173564	Terminal box
7	01_07_168801	Weights
8	01_10_168801	Circuit diagram
9	01_08_173933	Tools
10	01_09_173746	Accessories

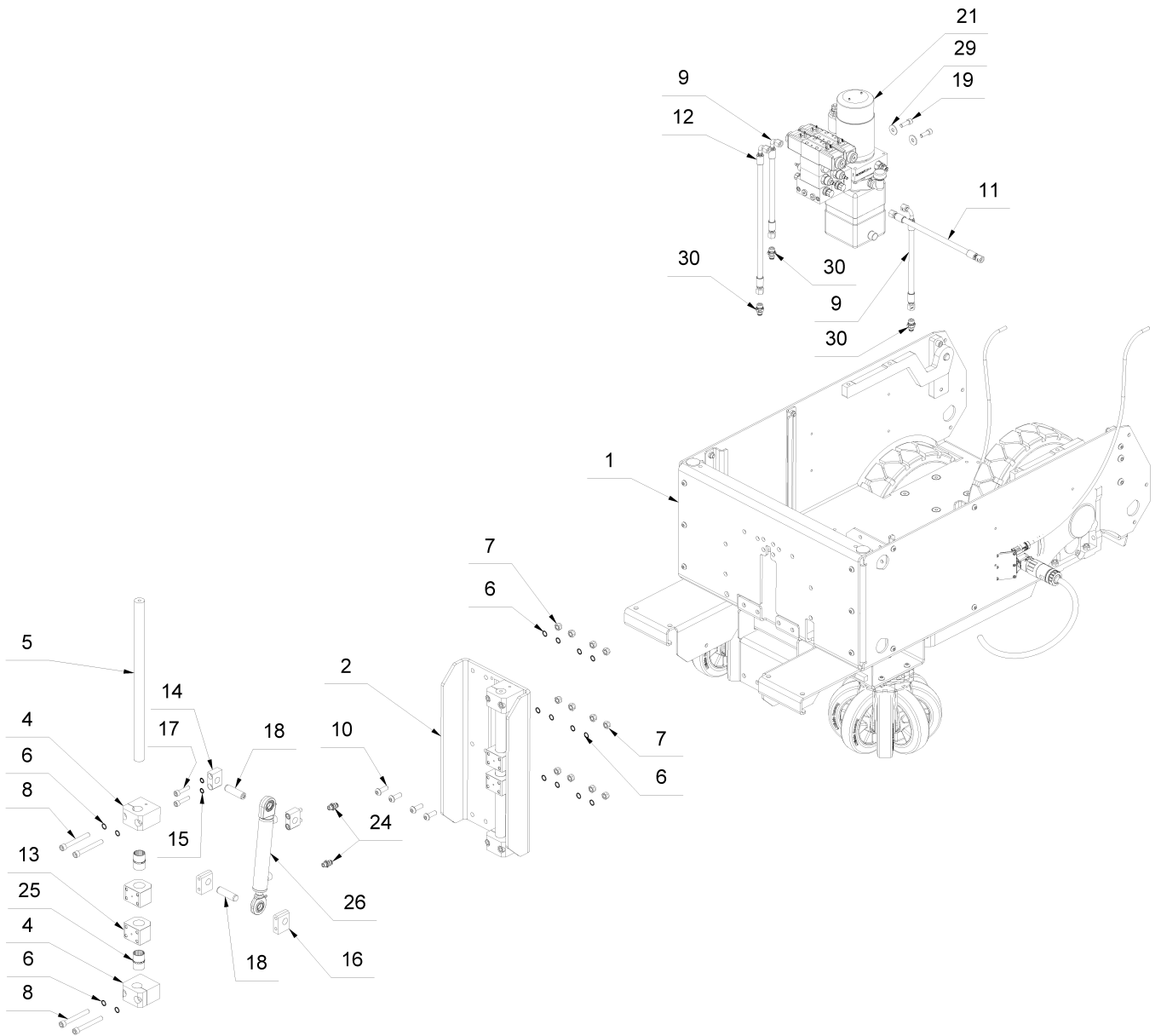
1 Chassis



1 Chassis

Item no.	Article no.	Description	Quantity
1	171256	Chassis Independence	1
2	169459	Drive wheel 405x105 grey Independence	2
3	169461	Wheel hub Independence	2
4	169480	Steering wheel Ø200 grey Independence	2
5	168856	Bevel gear motor left Independence	1
6	168871	Bevel gear motor right Independence	1
7	172700	Countersunk screw M12x40 DIN 7991 10.9	8
8	168744	Cable motor Ø16 orange Independence	2
9	168875	Resolver cable Ø9 green Independence	2
10	171359	SG Pick up swivel castors Independence	1
11	018770	El.stop-nut M12 DIN 985	17
12	014862	Washer M12	2
13	016752	Hexagonal screw M12x 35 DIN 933	2
14	172667	Lens screw M10x25 ISO 7380	24
15	171184	Bar additional weight Independence	2
16	172668	Lens screw M12x25 ISO 7380	4
17	040261	Lens screw M10x20 ISO 7380	2
18	172670	Lens screw M12x35 ISO 7380	4
19	017614	Cylinder head screw M12x20 DIN 912	2
20	172703	Cylindrical pin 20x45 DIN 7979	2
21	171104	Holder lid hinge Independence	2
22	173170	Bracket additional weights Independence	4
23	171746	Ball collar screw M14x1,5-27 DIN 74361	10
24	171260	Cover hinge Independence	2
25	014861	Washer M10	6
26	014817	Hexagon nut M10 DIN 985	24
27	171366	Front plate Independence	1
28	172744	Intermediate weight 22kg Independence	1
29	172679	Countersunk screw M12x30 DIN 7991 10.9	4
30	018336	Countersunk screw M10x30 DIN 7991 10.9	4
31	083696	Hexagonal screw M 10x20 DIN933 8.8 vz.	4
32	173506	Fender washer Ø13xØ48x3 DIN522 galv.	2
33	171368	Counter bearing Independence	1
34	060979	Felt sheet black Ø 40x3	2

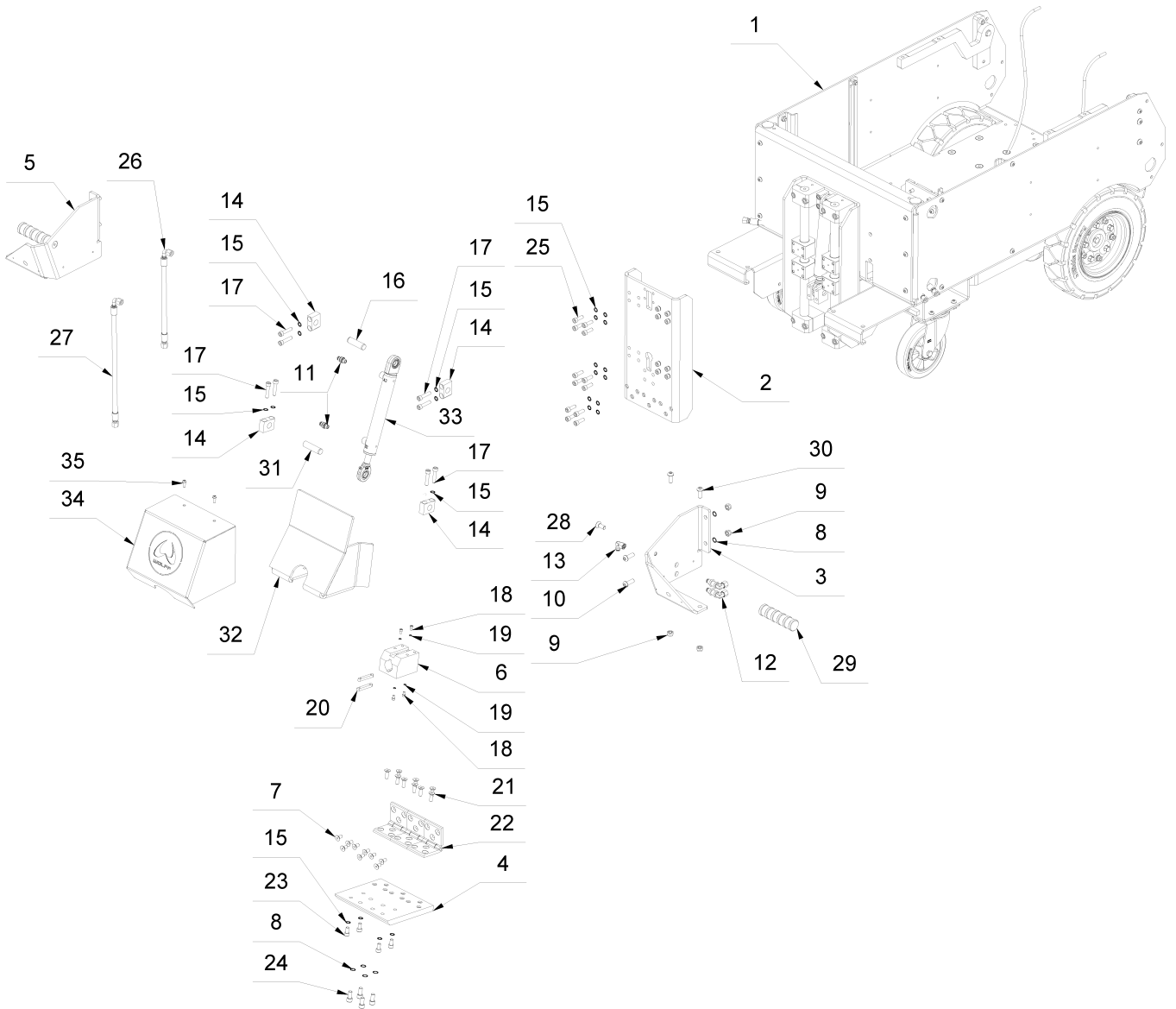
2-1 Hydraulics 1



2-1 Hydraulics 1

Item no.	Article no.	Description	Quantity
1		Chassis	1
2	171391	Linear guide at the rear Independence	1
4	171182	Bearing block fix.Linear guide Independe	4
5	170543	Shaft linear guide Ø30x540mm Independenc	2
6	014862	Washer M12	20
7	018770	El.stop-nut M12 DIN 985	12
8	161846	Cylinder screw 8.8 M12x100 DIN 912	8
9	173614	Hose pipe 330 Independence	2
10	172670	Lens screw M12x35 ISO 7380	4
11	176363	Hose pipe 375 straight Independence	1
12	173615	Hose pipe 500 Independence	1
13	173051	Bearing block IGUS Independence	4
14	171106	Bearing block cylinder DULO Independence	2
15	014861	Washer M10	4
16	171107	Bearing block cylinder M10 Independence	2
17	014741	Cylinder head screw M10x45 DIN 912	4
18	074051	Cylindrical pin 20x70 DIN 7979	2
19	018300	Cylinder head screw M10x30 DIN 912	2
21	176557	Hydraulic power unit 2kW V2 Independence	1
24	173603	Straight cutting ring lock G1/4" Indep.	2
25	173098	Sliding film JUM 02-30 IGUS	4
26	169944	Hydraulikzylinder H150 Independence	1
27	174233	Pole protection cap black 50mm head 18mm	1
28	174232	Pole protection cap red 50mm head 18mm	1
29	018236	Washer 10.5 DIN 9021	2
30	173602	Straight cutting ring lock G3/8"	3

2-2 Hydraulics 2



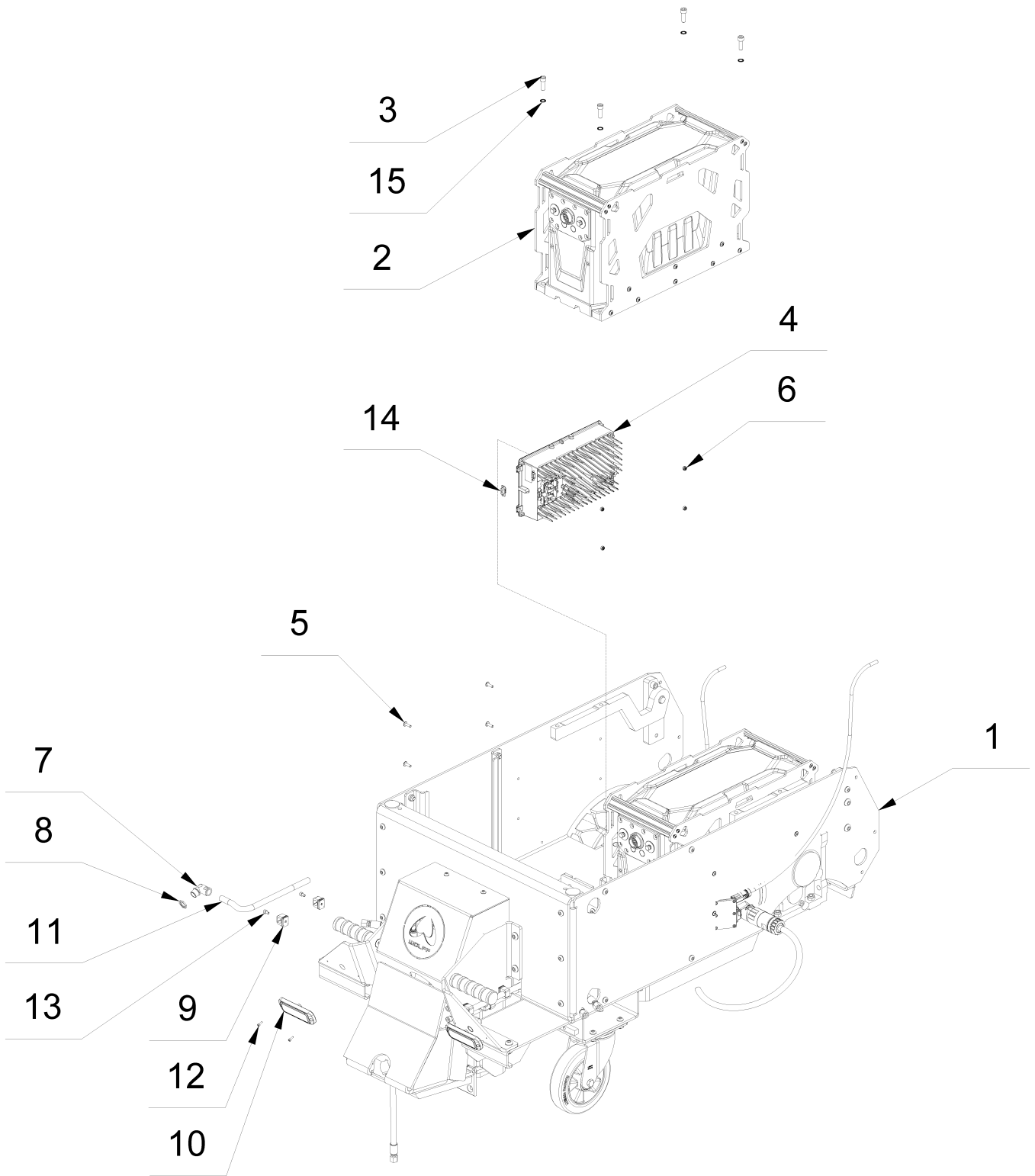
2-2 Hydraulics 2

Item no.	Article no.	Description	Quantity
1		Hydraulics 1 N001	1
2	171258	Linear guide in front Independence	1
3	174304	Bulkhead plate left Independence	1
4	171323	Tool mounting plate	1
5	174303	Bulkhead plate right Independence	1
6	171383	Chisel holder Independence	1
7	014762	Countersunk screw M10x20 DIN7991 10.9	9
8	014862	Washer M12	8
9	018770	El.stop-nut M12 DIN 985	8
10	172670	Lens screw M12x35 ISO 7380	4
11	173603	Straight cutting ring lock G1/4" Indep.	2
12	173598	Schott Elbow fitting M16x1,5 Independenc	2
13	173597	Elbow fitting M16x1,5 Independence	1
14	171106	Bearing block cylinder DULO Independence	4
15	014861	Washer M10	33
16	074051	Cylindrical pin 20x70 DIN 7979	1
17	014741	Cylinder head screw M10x45 DIN 912	8
18	017697	Cylinder head screw M6x10 DIN 912	4
19	014859	Schnorr washer M6	4
20	172712	Pass spring 10x8x70 with thread Independ	2
21	018336	Countersunk screw M10x30 DIN 7991 10.9	9
22	170189	Stainless steel hinge Independence	6
23	018301	Cylinder head screw M10x20 DIN 912	4
24	018297	Cylinder head screw M12x25 DIN 912	4
25	018300	Cylinder head screw M10x30 DIN 912	20
26	173608	Hose pipe 380 Independence	1
27	173615	Hose pipe 500 Independence	1
28	172679	Countersunk screw M12x30 DIN 7991 10.9	2
29	172631	Footrest Independence	2
30	172668	Lens screw M12x25 ISO 7380	4
31	173057	Cylindrical pin 20x80 DIN 6325	1
32	173835	Deflector 260 Independence	1
33	169946	Hydraulikzylinder H200-90° Independence	1
34	171356	Cover lift cylinder Independence	1

2-2 Hydraulics 2

Item no.	Article no.	Description	Quantity
35	047385	Lens head screw M8x20	2

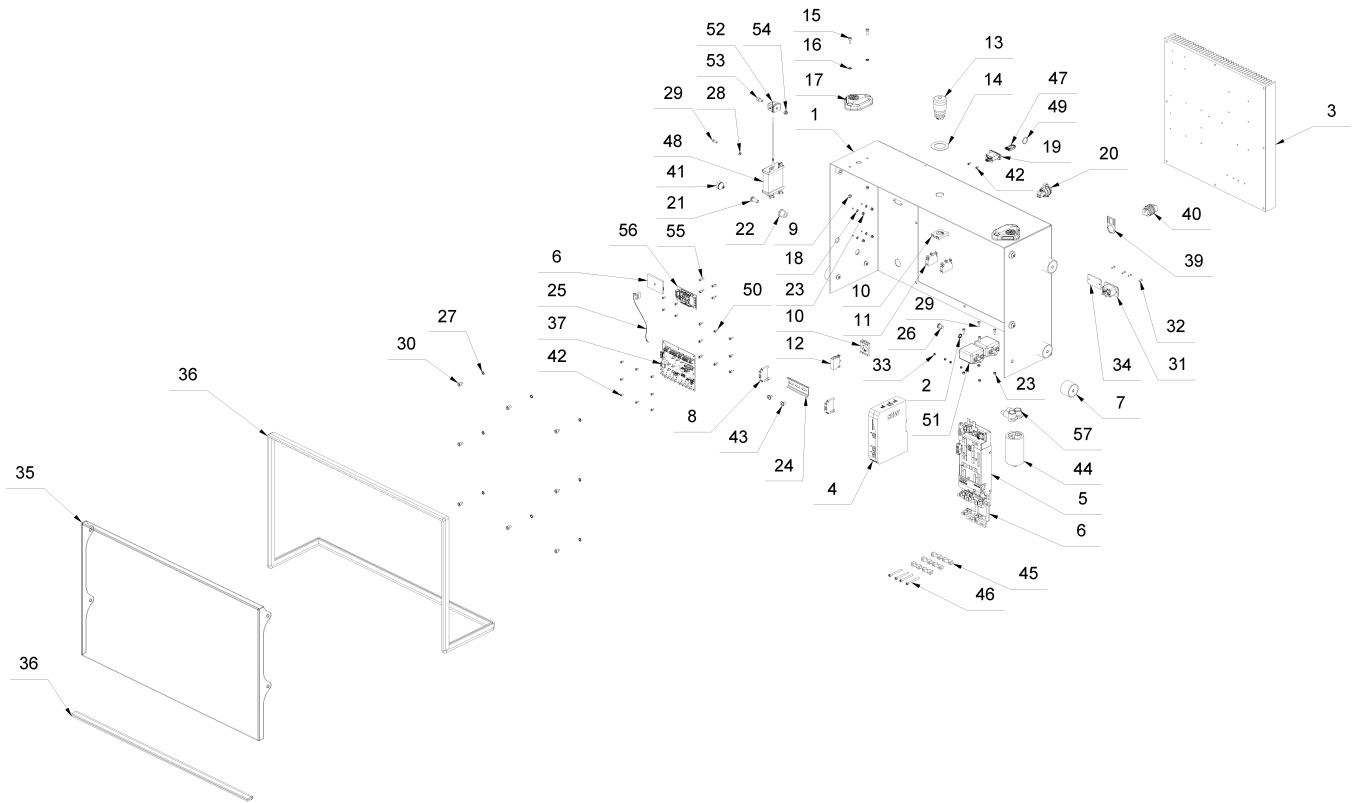
3 LED/Battery



3 LED/Battery

Item no.	Article no.	Description	Quantity
1		Hydraulics 2	1
2	172588	Battery Li-Io 5kW-100Ah Independence	2
3	018300	Cylinder head screw M10x30 DIN 912	8
4	172630	Battery charger B&S Independence	2
5	018706	Lens head screw M6x20	8
6	014815	Hexagon nut M6 DIN985	9
7	088344	Elbow fitting M20x1,5/1GY	2
8	088345	Lock nut M20x1,5	2
9	173814	Hose support Silvyn Klick-RH M16	4
10	173687	LED Spotlight W229 Independence	2
11	173817	Corrugated hose 350 mm LED Independence	1
12	018284	Cylinder head screw M4x12 DIN 912	4
13	017697	Cylinder head screw M6x10 DIN 912	4
14	175363	Connector Can-Bus Independence	1
15	014861	Washer M10	8

4 Control cabinet



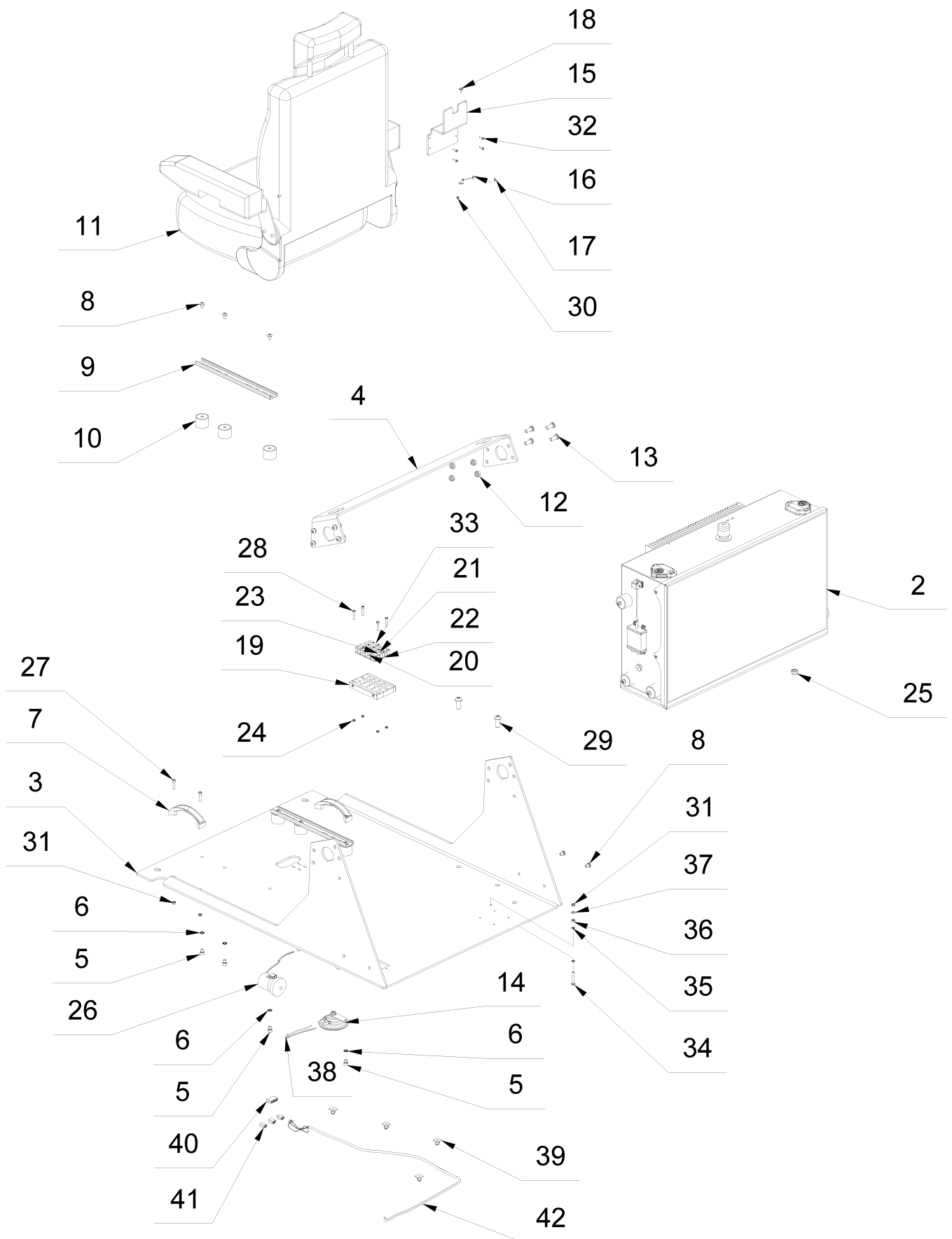
4 Control cabinet

Item no.	Article no.	Description	Quantity
1	171373	Control cabinet Independence	1
2	014860	Schnorr Washer M8	6
3	172853	Cooling body Independence	1
4	178963	Controller Independence	1
5	168805	Inverter/power supply Independence	1
6	089108	IMM Battery (LiPo 1260mAh) Li 5Wh	1
7	077748	Rubber stop Ø40x30-M8	6
8	071895	Top hat rail unclamp 6mm	2
9	014814	Stop hexagon nut M5 DIN 985	4
10	017503	Adapterattachment	2
11	017507	Contact element open NC	2
12	017505	Contact element shut NO	1
13	052443	Safety switch	1
14	136966	Label emergency C-Stiel	1
15	017561	Cylinder head screw M5x12 DIN 912	4
16	014858	Schnorr washer M5	4
17	172843	Warning light 24V Independence	2
18	016961	Snorr washer M4	4
19	171297	Socket key switch SR4310SP	1
20	171292		1
21	047385	Lens head screw M8x20	4
22	172790	Riveting nut Chloroprene black M8	4
23	014813	Hexagon nut M4 DIN 985	8
24	085576	Top hat rail 80 mm	1
25	174241	Connecting cable IMM Independence	1
26	172666	Lens screw M8x12 ISO 7380	6
27	014859	Schnorr washer M6	8
28	017452	Washer M4 DIN 125 B	8
29	018284	Cylinder head screw M4x12 DIN 912	4
30	018256	Cylinder head screw M6x8 DIN 912	8
31	171445	IEC device connector C22 Independence	1
32	018332	Countersunk screw M3x10 DIN 965	4
33	017768	El.Stop-Nut M3 DIN 985	4
34	173050	Orifice IEC Device plug Independence	1

4 Control cabinet

Item no.	Article no.	Description	Quantity
35	171374	Cover control cabinet Independence V001	1
36	173047	Seal kit switch cabinet Independence	1
37	173090	Control board Independence	1
39	172920	Plate for switch 0-1 Independence	1
40	172919	Wahltaste rastend 0-1 60°	1
41	172931	Guide grommet Ø16/Ø5-7 t=1-4	1
42	053439	Cylinder head screw M3x6 DIN 912	14
43	018707	Lens head screw M4x10	2
44	173060	Capacitor 10000µF/100VDC Ø51x82	1
45	017709	Cable clamp plastic	6
46	017684	Cylinder head screw M4x45 DIN 912	4
47	171298	Memory token SST16Kb	2
48		Receiver remote control	1
49	038904	Key ring Micropac Mambo 2	1
50	165407	Plastic spacer M3x6 (WM2.0)	8
51	173825	Mains filter 10A Independence	2
52	173814	Hose support Silvyn Klick-RH M16	1
53	014726	Cylinder head screw M6x12 DIN 912	1
54	014815	Hexagon nut M6 DIN985	1
55	164227	Spacer Stud M3x10 SW5,5 Weldmas. 2.0	4
56	163970	IMM Kit Rev.3 (LiPo 1300mAh) Li 5Wh	1
57	176081	Pole protection cap black 35-95 mm² Ø22	2

5 Cover plate



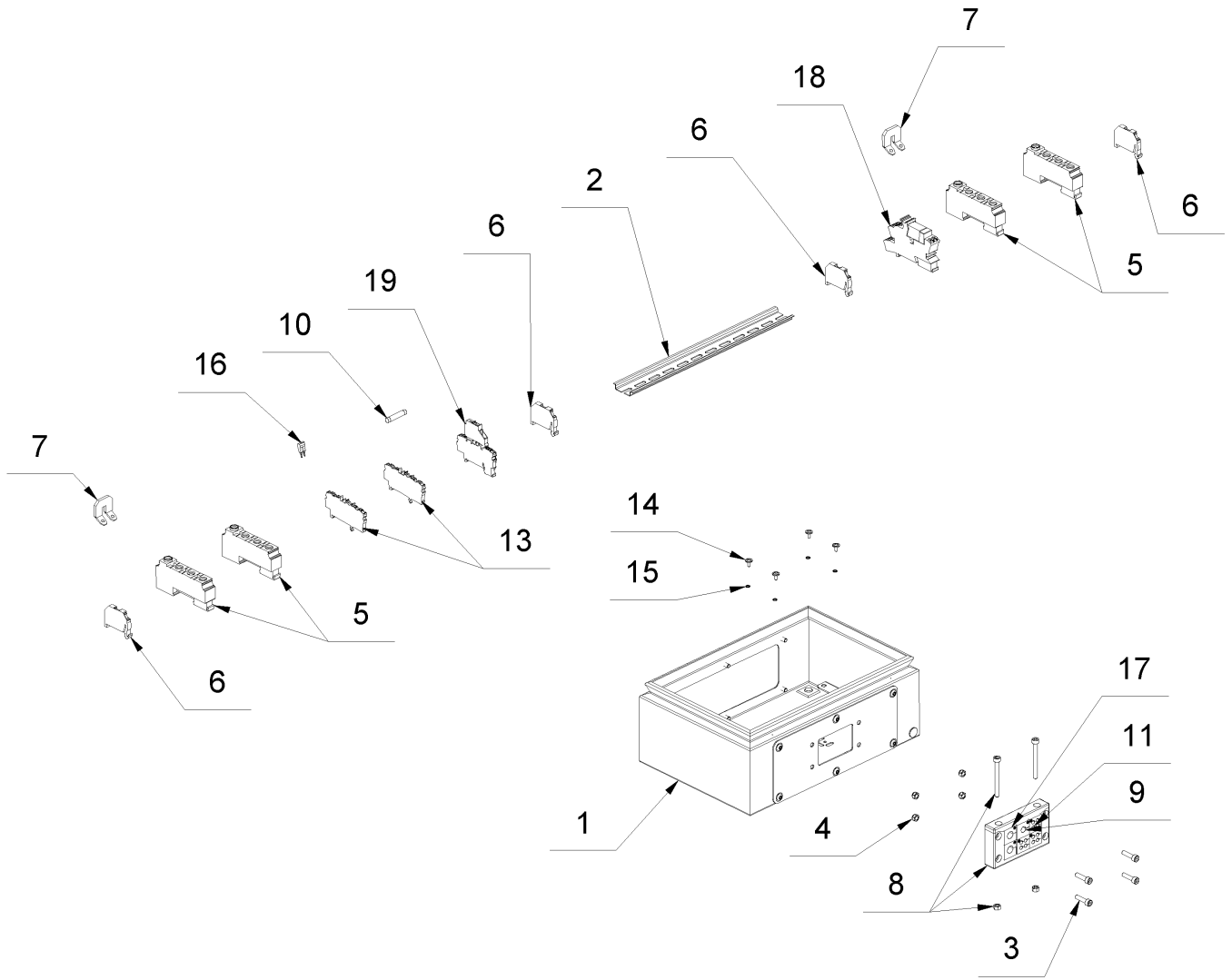
5 Cover plate

Item no.	Article no.	Description	Quantity
2		Control cabinet	1
3	171254	Cover plate Independence	1
4	171372	Traverse Independence	1
5	017651	Cylinder head screw M8x16 DIN 912	6
6	014860	Schnorr Washer M8	6
7	037954	Handle Mambo2/VarioSilent	2
8	172666	Lens screw M8x12 ISO 7380	12
9		Seat rail	2
10	077748	Rubber stop Ø40x30-M8	6
11	168997	Seat Independence	1
12	014817	Hexagon nut M10 DIN 985	8
13	172667	Lens screw M10x25 ISO 7380	8
14	171169	Horn low single tone 24V Independence	1
15	172925	Bracket control panel Independence	1
16	060726	Tether Mambo Evo	1
17	060766	Spring cotter	1
18	076701	Lens head screw M4x12	1
19	172751	Cable entry strip KEL 16 12-E	1
20	172764	Cable grommet KT 17 grey	2
21	172761	Cable grommet KT 8 grey	6
22	174074	Cable grommet KT 10 grey	2
23	172752	Blind grommet BTK grey small	1
24	014814	Stop hexagon nut M5 DIN 985	4
25	018770	El.stop-nut M12 DIN 985	1
26	173059	Reversing warning system Independence	1
27	014731	Cylinder head screw M6x25 DIN 912	4
28	014750	Cylinder head bolt M5x25 DIN 912 microv	4
29	172669	Lens screw M12x30 ISO 7380	4
30	014813	Hexagon nut M4 DIN 985	1
31	014815	Hexagon nut M6 DIN985	5
32	019540	Pan-head tapping screw 4.2x16 DIN 7981 C	4
33	174075	Cable grommet KT 6 grey	1
34	018162	Hexagonal screw M 6x 40 DIN 931	1
35	060534	Tooth lock washer A 6,4 DIN 6797	2

5 Cover plate

Item no.	Article no.	Description	Quantity
36	014809	Hexagon nut M6 DIN 934	1
37	014827	Washer M6 DIN 125 A	1

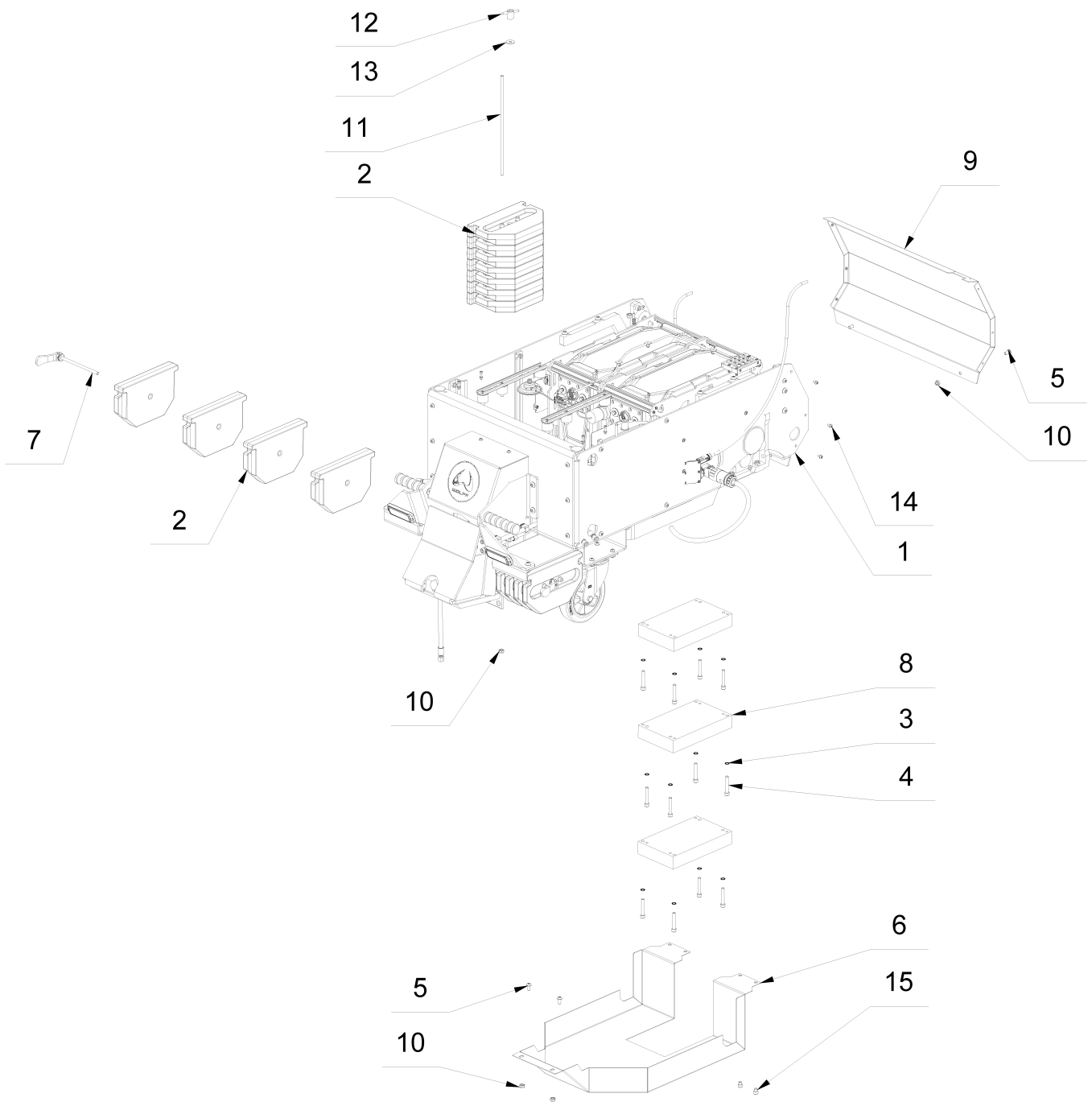
6 Terminal box



6 Terminal box

Item no.	Article no.	Description	Quantity
1	176351	Terminal box front V2 Independence	1
2	173048	Top hat rail TS35/7,5 287mm	1
3	014720	Cylinder head screw M5x20 DIN 912	4
4	014814	Stop hexagon nut M5 DIN 985	4
5	173069	Distribution terminal Wago 284-621	4
6	071895	Top hat rail unclamp 6mm	4
7	173234	Jumper Wago 284-412	2
8	173028	Cable entry strip KEL-U 10/6	1
9	172761	Cable grommet KT 8 grey	1
10	082498	Electrical fuse 5x20mm mittelträge 2A	1
11	173033	Cable grommet KT 4/Ø5 gray	3
12	068024	Top hat rail through clamp grey 4x	2
14	018708	Lens head screw M3x 8	4
15	017772	Schnorr washer M3	4
16	162792	Comb bridge 2002-402	1
17	174074	Cable grommet KT 10 grey	2
18	174236	Relay module 24V/48V hydraulic unit	1
19	174674	2-wire fuse terminal Independence	1
o.Abb.	173159	DC Main cable 25 ² 2250mm o.Isol.	2
o.Abb.	173073	Battery cable 10 ² I=1000 AEH/RKS M8	4
o.Abb.	173151	Cable hydrmot. current rail 10 ² 400mm	2
o.Abb.	173148	Câble DC chargeur 10 ² 900mm Isol.	4
o.Abb.	173099	Control C. PCB terminal box front 7x1 ²	1
o.Abb.	173071	Contro. Relay HydraulicM. 2x0,75 ²	2
o.Abb.	175625	Single wire Ventile 1 ² I=250	4
o.Abb.	173152	Cable emergency stop board bk 0,5 ² 250mm	2

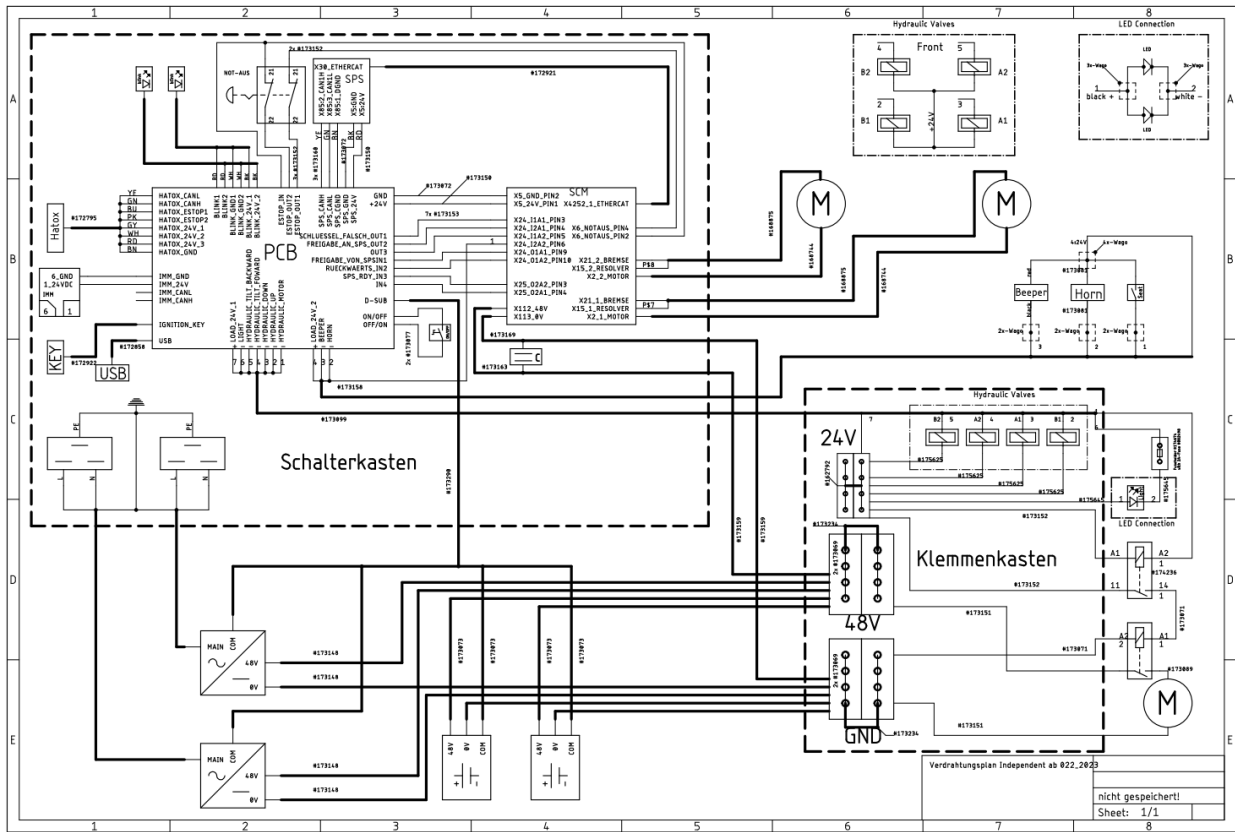
7 Weights



7 Weights

Item no.	Article no.	Description	Quantity
1		Cover plate	1
2	173720	Additional weight 12.5kg Independence	8
3	014861	Washer M10	12
4	018299	Cylinder head screw M10x65 DIN 912	12
5	040261	Lens screw M10x20 ISO 7380	4
6	171375	Underbody protection Independence	1
7	087887	Eccentric lever length M10x185mm	4
8	172744	Intermediate weight 22kg Independence	3
9	171369	Tail plate Independence	1
10	014817	Hexagon nut M10 DIN 985	6
11	174200	Threaded rod M10x400 Independence	2
12	173815	Quick release toggle M10 Independence	2
13	018236	Washer 10.5 DIN 9021	2
14	172666	Lens screw M8x12 ISO 7380	6
15	088664	Cylinder head screw M 10x10 DIN 912	4

8 Circuit diagram



8 Circuit diagram

9 Tools

Item no.	Article no.	Description	Quantity
1	172781	Blade holder 250 Independence	1
2	171083	Knife holder 350 Independence	1
3	173066	Blade holder 450 Independence	1
4	173483	Blade holder 840 Independence	1
5	173490	Spare blade 840x120x1,5 UT/5pcs.	1
6	173491	Spare blade 840x60x1,5 UT/5Stk.	1
7	173038	Hammer-Chisel 115mm Independence	1
8	173056	Hammer-Chisel 75mm Independence	1
9	173211	HM chisel 115 Independence	1
10	173210	HM Chisel 69 Independence	1
11	173452	KS-U-Blade 250x60x3x45° bevel up	1
12	173465	KS-U-Blade 250x60x3x45° bevel down	1
13	173451	KS-U-Blade 350x60x3x45° bevel up	1
14	173464	KS-U-Blade 350x60x3x45° bevel down	1
15	173463	KS-U-Blade 350x80x3x45° bevel up	1
16	173450	KS-U-Blade 350x80x3x45° bevel down	1

10 Accessories

Item no.	Article no.	Description	Quantity
1	010758	Carrying case midi3 SEE 171220	1
2	019141	T-handle 6-kt SW 6	1
3	172979	Folding slint 8x45 Independence	1
4	173024	Charging cable Independence EU	1
4	175398	Charging cable Independence AU 230V	1
4	175395	Charging cable Independence CH 230V	1
4	175399	Charging cable Independence DK 230V	1
4	175396	Charging cable Independence UK 115V/32A	1
5	164858	AA-Batteries rechargeable NiMH 2400mAh	1
6	174090	Remote system V2-2,4GHz Independence	1
7	174091	control panel V2-2,4GHz Independence	1
8	174092	RC Receiver V2-2,4GHz Independence	1