



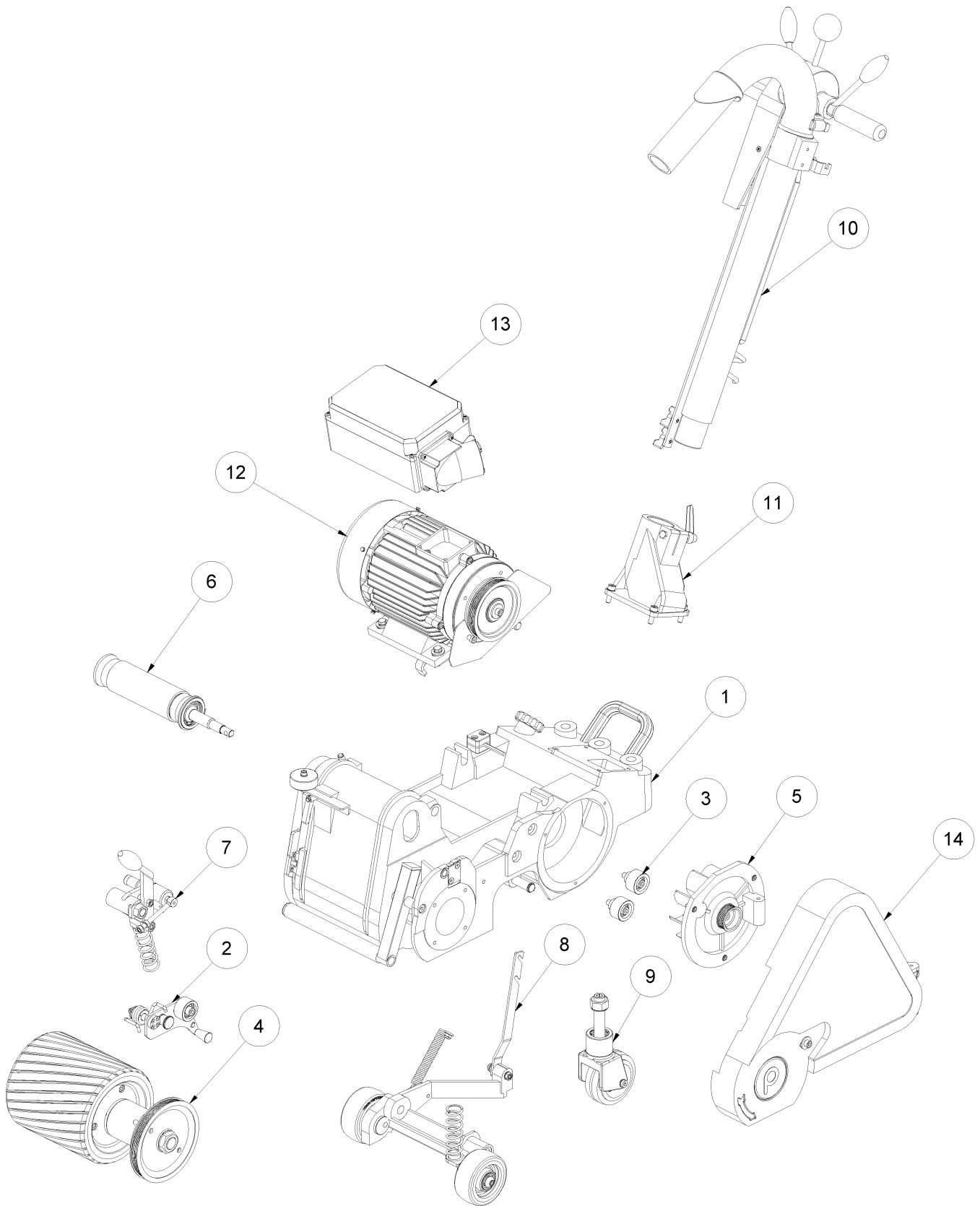
spare parts list
Pallmann Cobra Classic 230V EU



Table of contents

1 Pallmann Cobra Classic 230V EU (0001/2015 - up to now)	3
1 Base support	5
2 Belt tensioner, compl.	7
3 Belt deflection roller, compl.	9
4 Sanding drum bearing	11
5 Fan flange, compl.	13
6 Tension roller	15
7 Tension roller bracket	17
8 Carriage	19
9 Caster	21
10 Handle	23
11 Dust Pipe support, compl. w/o castor	26
12 Motor	28
13 Motor Dietz 2,5KW without cut-out	30
13 Switch box	32
14 Belt protection hood	34
15 Circuit diagram	36
16 Tool kit	38
17 Accessories	39

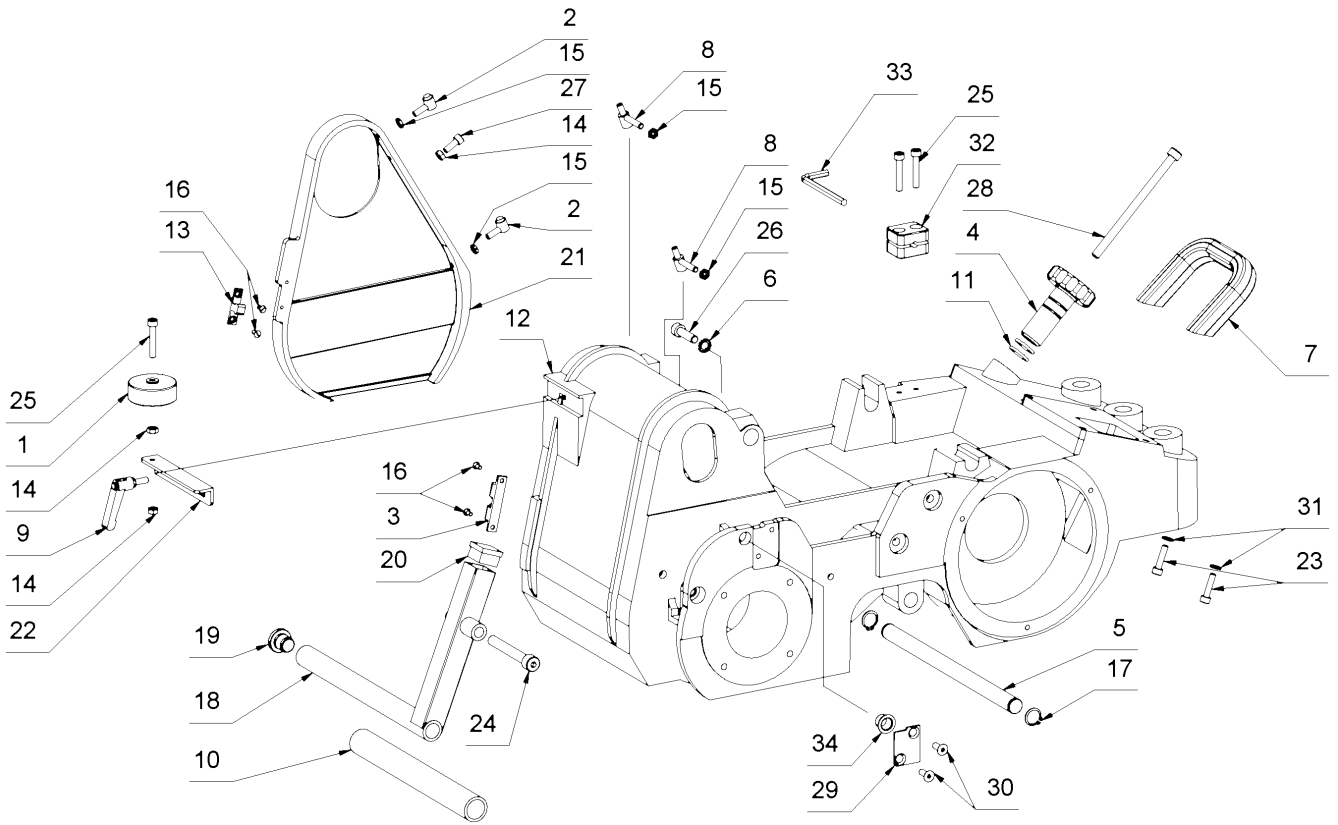
1 Pallmann Cobra Classic 230V EU (0001/2015 - up to now)



1 Pallmann Cobra Classic 230V EU (0001/2015 - up to now)

Item no.	Article no.	Description
1	01_01_074540	Base support
2	01_02_083934	Belt tensioner, compl.
3	01_03_074540	Belt deflection roller, compl.
4	01_07_062228	Sanding drum bearing
5	01_05_078527	Fan flange, compl.
6	01_09_016845	Tension roller
7	01_07_048500	Tension roller bracket
8	01_08_074540	Carriage
9	01_09_074570	Caster
10	01_10_074562	Handle
11	01_11_048702	Dust Pipe support, compl. w/o castor
12	01_12_074545	Motor
13	01_13_048631	Switch box
14	01_14_074540	Belt protection hood
15	01_15_074540	Circuit diagram
16	01_19_060281	Tool kit
17	01_17_078251	Accessories

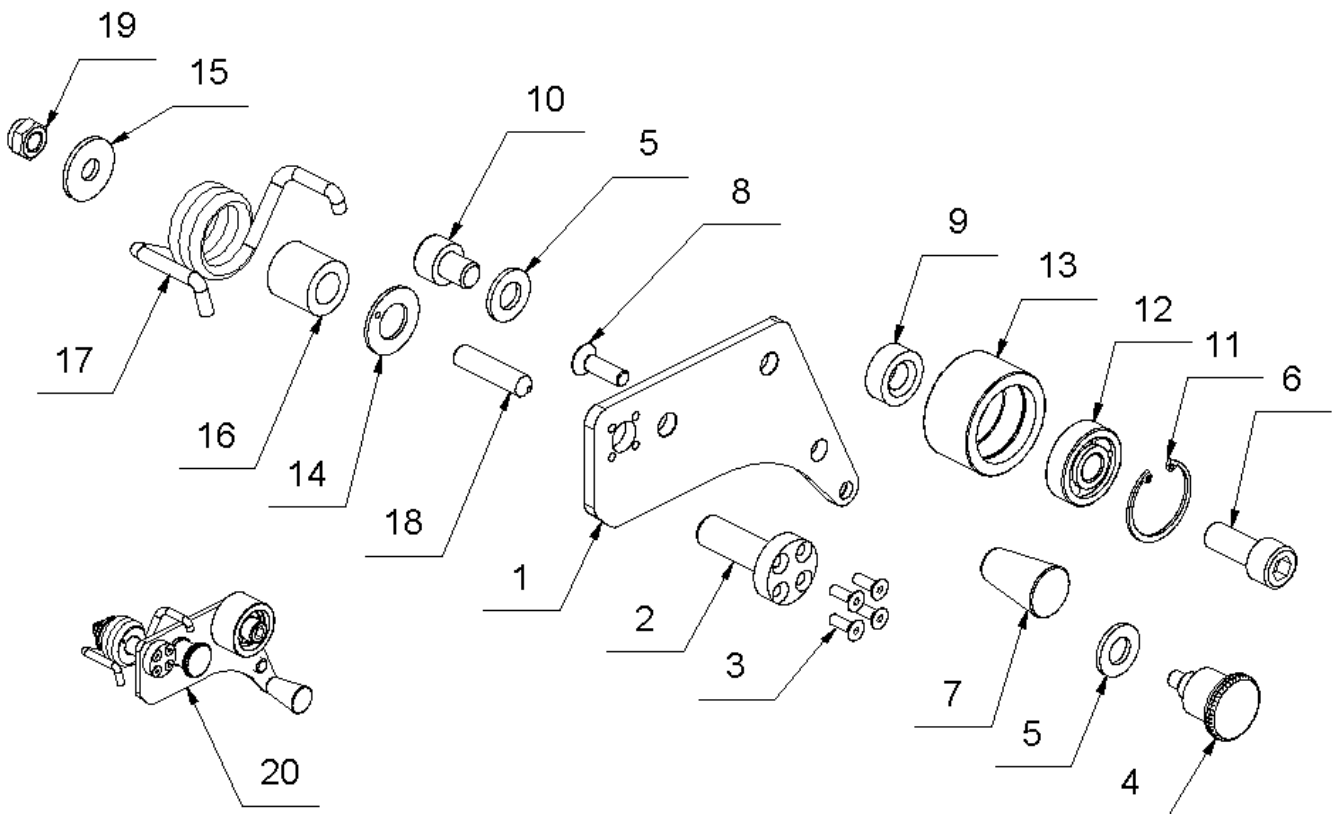
1 Base support



1 Base support

Item no.	Article no.	Description	Quantity
1	016177	Start-up wheel 2" Cobra/Viper/Python	1
2	016332	Cover hinge Cobra with nut	2
3	016328	Cover lock Cobra/Viper/Python	1
4	016327	Regular screw Cobra/ Python	1
5	016426	Chassis axle Cobra	1
6	016321	Spring washer A 8,4 DIN 6798	1
7	048585	Carrying bar behind Cobra/Python	1
8	016334	Hood-hinge with nut Cobra/Python	2
9	047212	Clamping lever M6x16	1
10	088645	Handle PVC black Ø22x275mm	1
11	043853	Marking ring black	2
12	074496	Machine chassis CobraClassic	1
13	016384	274/6.02 Lock notch Cobra/Viper/Python	1
14	014809	Hexagon nut M6 DIN 934	3
15	018666	Hexagon nut M6 DIN 936	4
16	018323	Countersunk screw M4x8 DIN 963	4
17	043891	Circlip A16 DIN 471	2
18	016439	Carrying strap Cobra	1
19	016442	Closing stopper Cobra/Python	1
20	019118	Stopper 25x25 x 11,5 black	1
21	016176	Rolling protection Cobra	1
22	016336	Slotted hole iron Cobra/Viper/Python	1
23	014731	Cylinder head screw M6x25 DIN 912	2
24	016441	Cylinder head screw M10x75 DIN 912	1
25	018264	Cylinder head screw M 6x35 DIN 912	3
26	014736	Cylinder head screw M8x30 DIN 912	1
27	014729	Cylinder head screw M 6x16 DIN 912	1
28	016432	Cylinder head screw M8x35 DIN 6912	1
29	053221	Stop plate stop bolt Cobra 09	1
30	014756	Countersunk screw M6x16 DIN 7991 10.9	2
31	014827	Washer M6 DIN 125 A	2
32	079023	Camp f.key SW 6	1
33	014957	Hexagonal screw key SW6 DIN 911	1
34	018765	Bushing 1212 DU	1

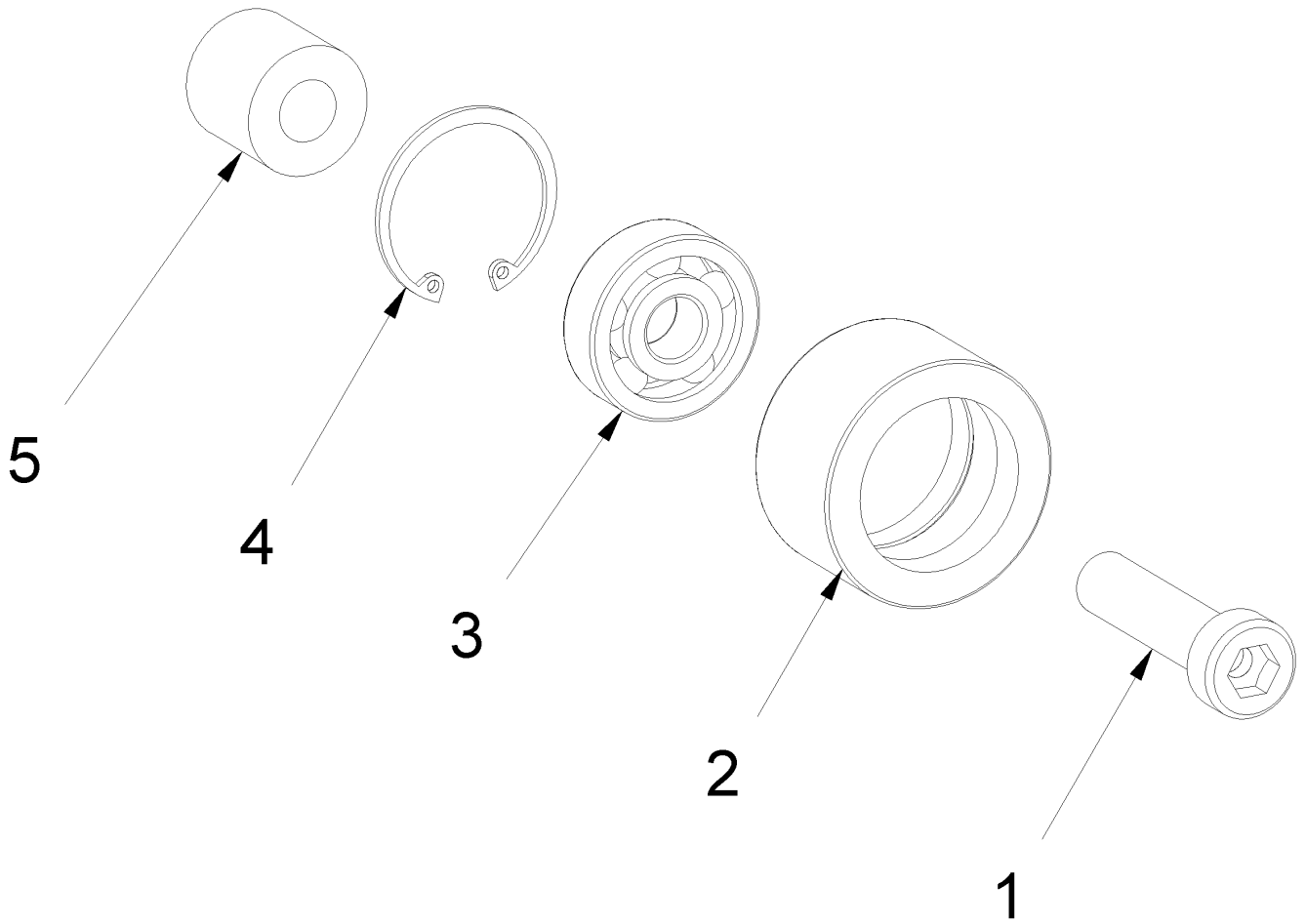
2 Belt tensioner, compl.



2 Belt tensioner, compl.

Item no.	Article no.	Description	Quantity
1	083884	Span roll holder	1
2	083879	Shaft with collar Tension pulley holder	1
3	017703	Countersunk screw M4x12 DIN 7991 10.9	4
4	052440	Arresting bolt	1
5	014829	Washer M10 DIN 125 A	2
6	049654	Cylinder head screw M10x25 DIN 912	1
7	083912	Knob cone 25mm SAM	1
8	014757	Countersunk screw M6x20 DIN 7991 10.9	1
9	052690	Distance bushing 21x10x8 Cobra 09	1
10	018302	Cylinder head screw M10x12 DIN 912	1
11	053318	Circlip I30 DIN 472	1
12	018353	Ball bearing 6200 2RS HS800	1
13	052468	Tension-/guide pulley Cobra 09	1
14	068574	Washer WC12DU 14x26x1,5	1
15	018737	Washer 8,4x24x2 DIN 9021 galv.	1
16	052487	Distance bushing Cobra 09	1
17	064322	Lag spring 5mm Cobra 09 Cobra 09	1
18	014790	Thread pin M8x35 DIN 913	1
19	014816	Hexagon nut M8 DIN 985	1
20	083934	Span roll holder	1

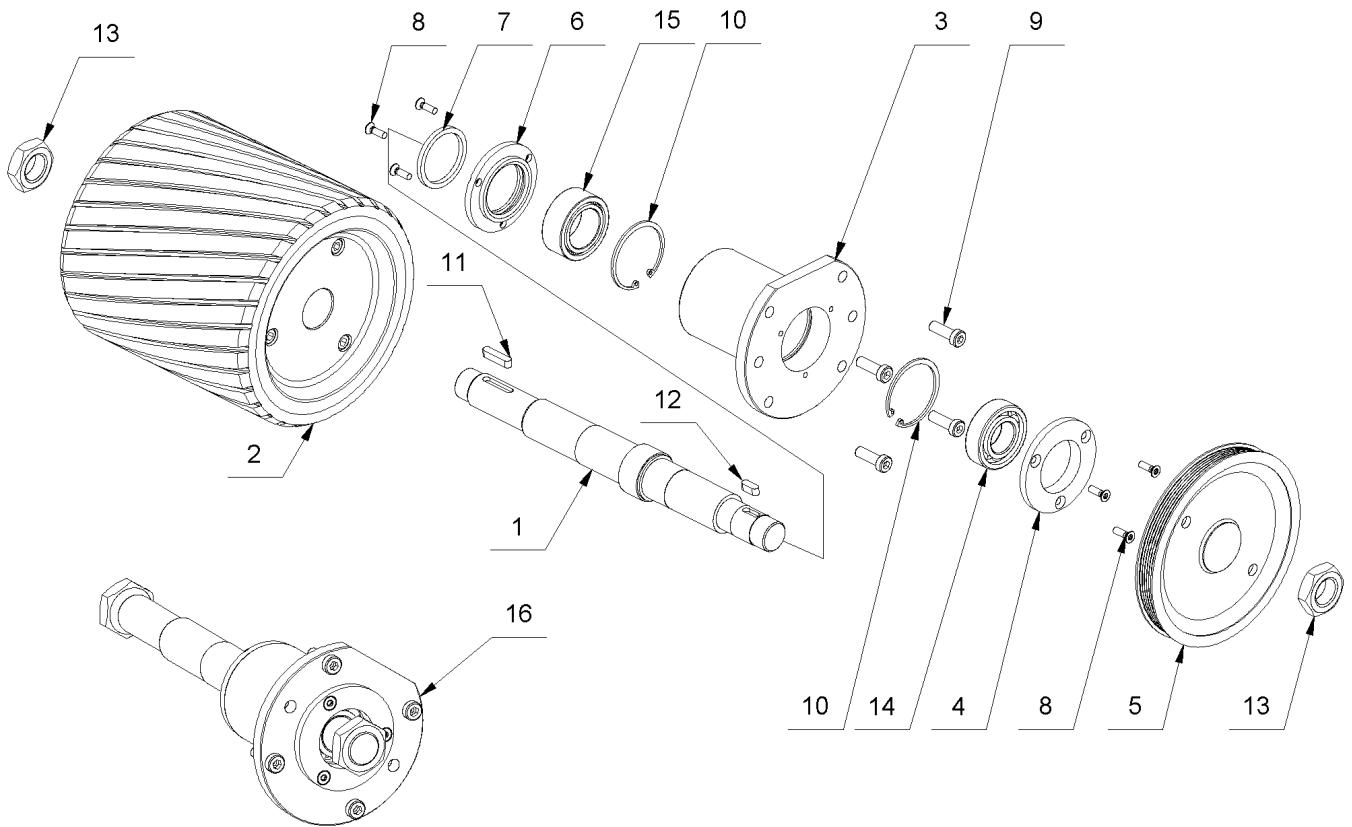
3 Belt deflection roller, compl.



3 Belt deflection roller, compl.

Item no.	Article no.	Description	Quantity
1	043915	Cylinder Head Bolt M10x 40 DIN 6912	1
2	052468	Tension-/guide pulley Cobra 09	1
3	018353	Ball bearing 6200 2RS HS800	1
4	053318	Circlip I30 DIN 472	1
5	079805	Distance jack 21x10x19	1

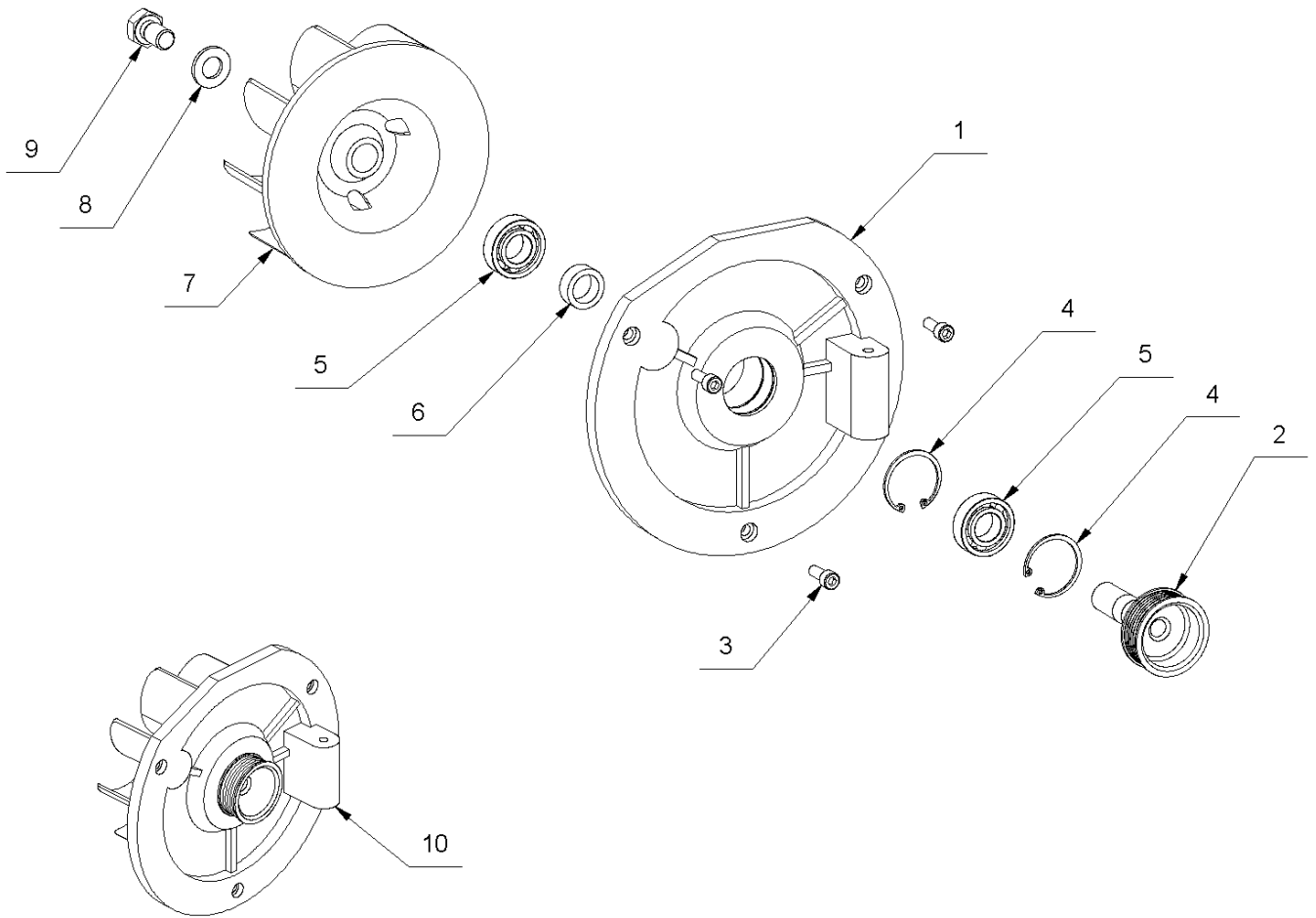
4 Sanding drum bearing



4 Sanding drum bearing

Item no.	Article no.	Description	Quantity
1	052470	Grinding roller shaft Cobra 09	1
2	013587	Grinding roller for Cobra	1
3	016364	Drum bearing flange Cobra	1
4	052482	Cover Cobra 09	1
5	052466	Belt pulley drum Cobra 09	1
6	016366	Inner drum cover Cobra	1
7	016188	Felt sealing ring Cobra/Viper/Python	1
8	080377	Countersunk screw M5x16 (Torx)	6
9	016365	Cylinder head screw M10x45 DIN 6912	4
10	014857	Safety washer I52 DIN 472	2
11	016361	Nut key 6x6x30 DIN 6885	1
12	016505	Nut key 6x6x16 DIN 6885	1
13	014614	Hexagon nut M24x1,5 DIN936	2
14	018348	Ball bearing 6205 2RS	1
15	016183	Ball bearing Cobra NA49/32 Cobra	1
16	053244	Roller bearing flange cpl.Cobra09/Class.	1

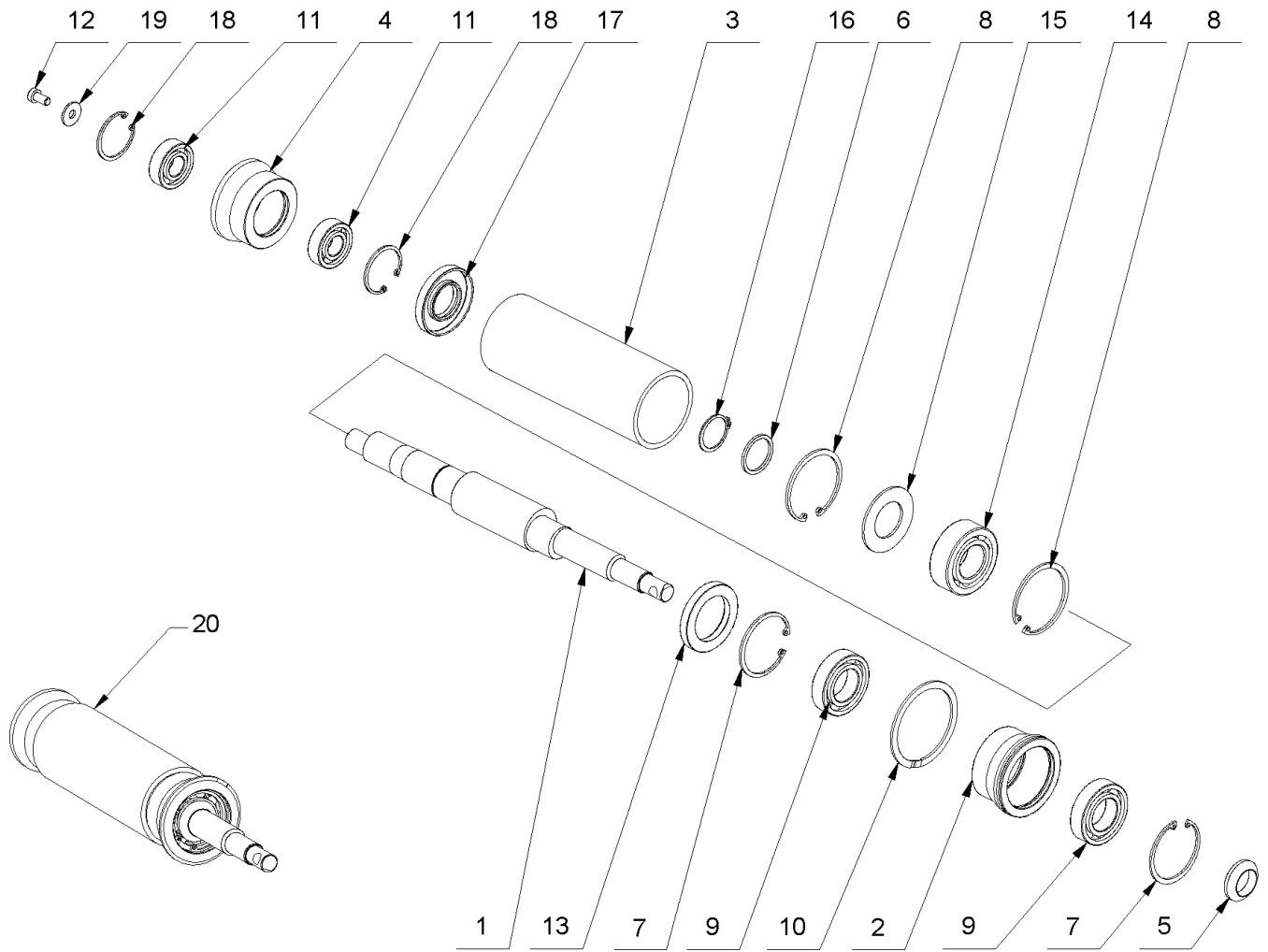
5 Fan flange, compl.



5 Fan flange, compl.

Item no.	Article no.	Description	Quantity
1	074569	Fan flange Cobra Classic	1
2	052467	Belt pulley ventilator Cobra 09	1
3	014729	Cylinder head screw M 6x16 DIN 912	3
4	018091	Circlip I35 DIN472	2
5	018359	Ball bearing 6003 2RS	2
6	052491	Distance bushing ventilator Cobra 09	1
7	014599	Fan wheel Cobra	1
8	014830	Washer M12 DIN 125 A	1
9	017455	Hexagon screw M12x 20 DIN 933	1
10	078527	Fan flange cpl.Cobra Classic	1

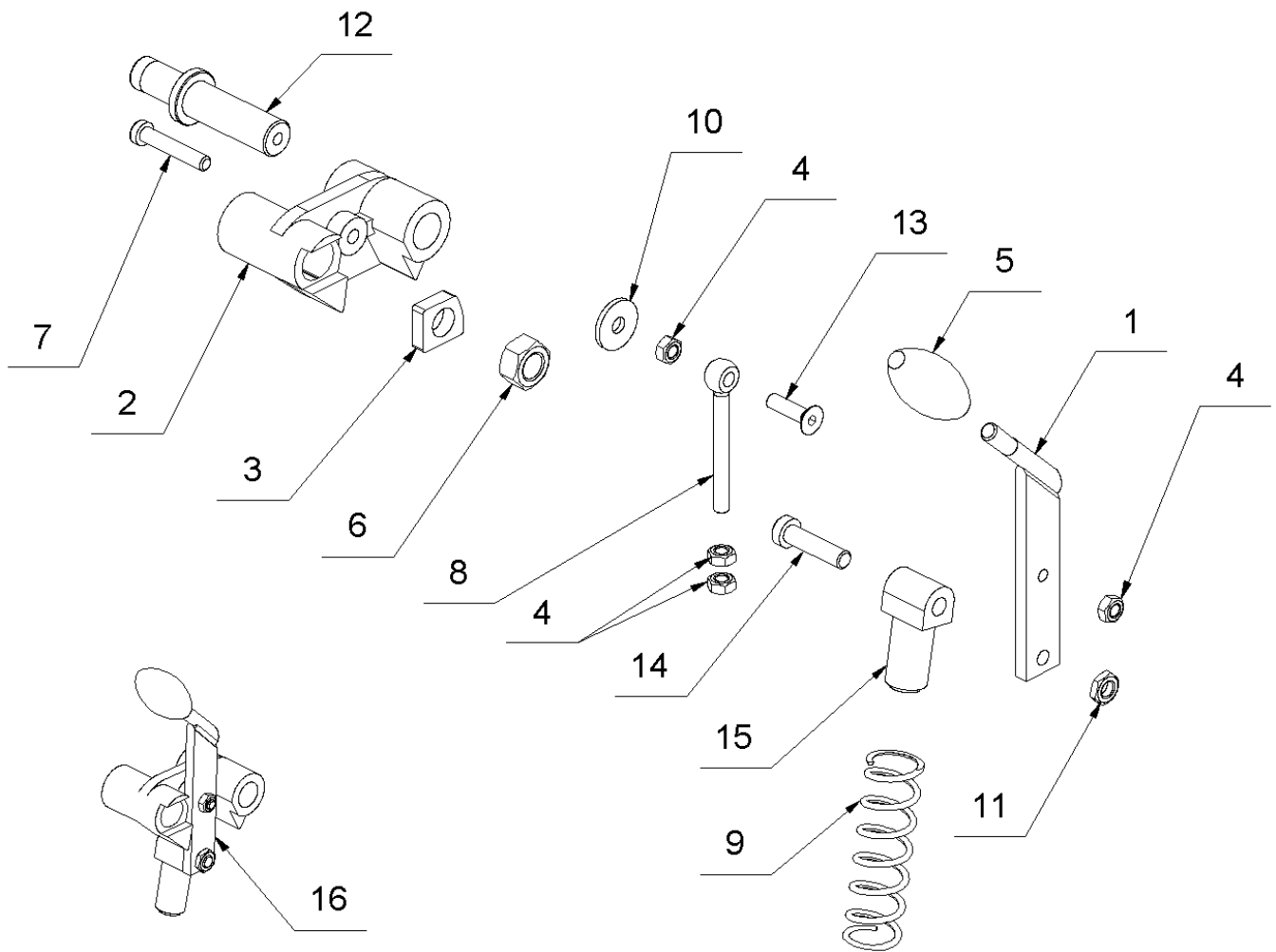
6 Tension roller



6 Tension roller

Item no.	Article no.	Description	Quantity
1	016189	Tension roller shaft Cobra	1
2	014625	Inner roll Cobra/Viper/Python	1
3	014629	Roller empty Viper / Cobra	1
4	014622	Outside roll Cobra/Viper/Python	1
5	016202	Adjustment ring Cobra/Python	1
6	016360	Washer 25x30x2 DIN 988	1
7	014855	Safety washer I47 DIN 472	2
8	014857	Safety washer I52 DIN 472	2
9	014704	Ball-bearing 6005 2RSH	2
10	166323	Safety washer XDNS 60-X	1
11	018351	Ball bearing 6202 2RS	2
12	055830	Cylinder head screw M6x12 DIN 7984	1
13	014628	Inner packing ring Vip/Cob/Pyth 35-52-10	1
14	016198	Swivel bearing 2205 2RS	1
15	043833	Lock washer DIN 137 - B27	1
16	014852	Safety washer A25 DIN 471	1
17	014634	Shaft seal Vip/Cob/Pyth 25-52-10	1
18	018091	Circlip I35 DIN472	2
19	017724	Washer DIN 9021 6,4x18x1,6	1
20	016845	Tension Roll new complete Cobra	1

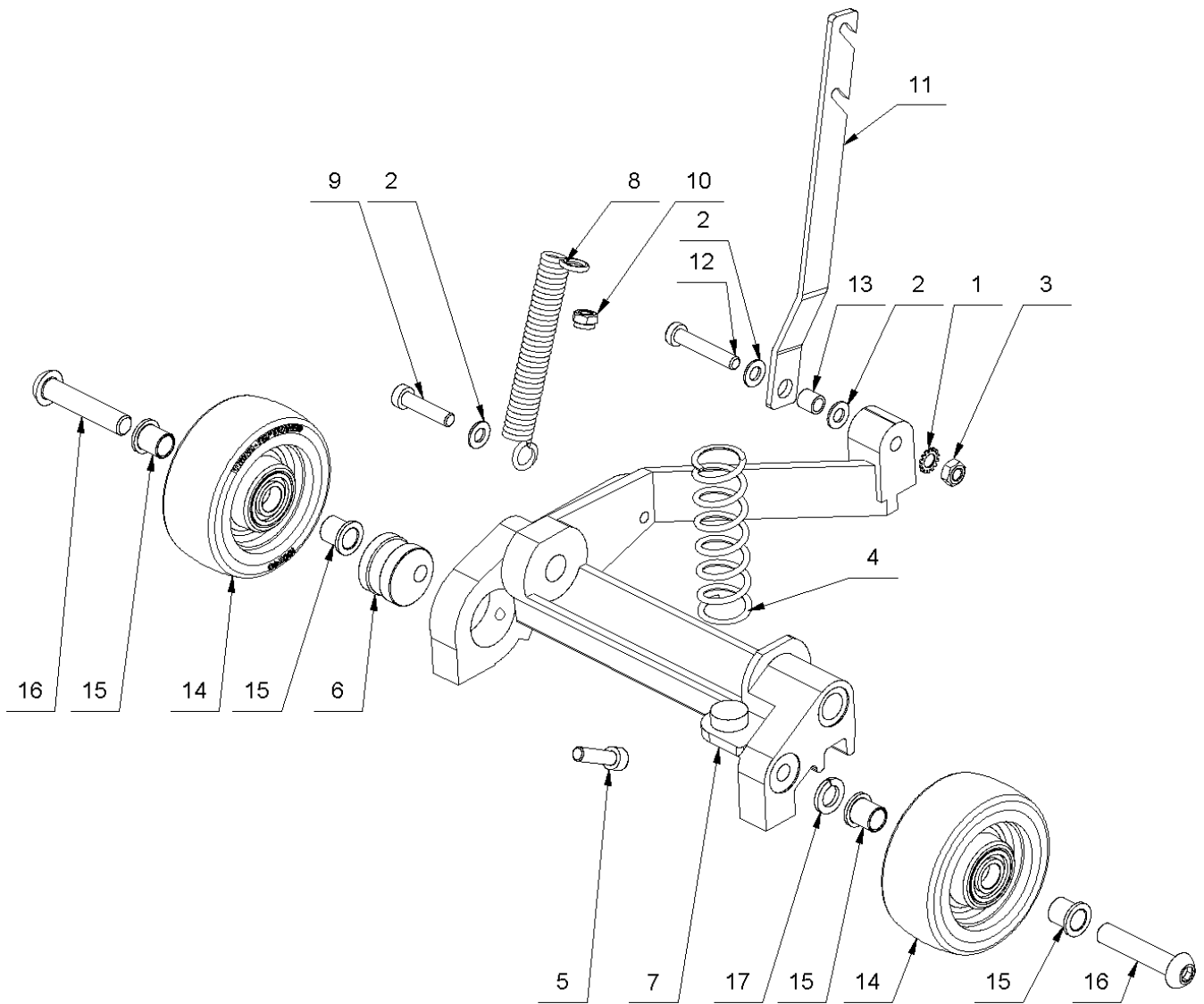
7 Tension roller bracket



7 Tension roller bracket

Item no.	Article no.	Description	Quantity
1	016342	Tension lever Cobra/Viper/Python	1
2	016338	Tension roller holder Cobra/Python	1
3	016190	Adjusting plate Cobra/Python	1
4	014810	Hexagon nut M 8 DIN 934 I6I/I8I	4
5	016180	Ball handle Cobra/Python/Viper	1
6	014620	Lock nut M16 DIN 934	1
7	016343	Cylinder head screw M10x45 DIN 6912	1
8	016347	Eye screw M8x80 special	1
9	016179	Pressure spring 30x100x3,5	1
10	043902	Washer 8,4x30 DIN 522	1
11	014811	Hexagon nut M 10 DIN 934	1
12	016345	Mounting bolt Cobra/Viper/Python	1
13	017116	Countersunk screw M8x30 10.9 DIN 7991	1
14	043915	Cylinder Head Bolt M10x 40 DIN 6912	1
15	016492	Pressure piece Cobra/Viper/Python	1
16	048500	Tension roller holder cpl. Cobra/Python	1

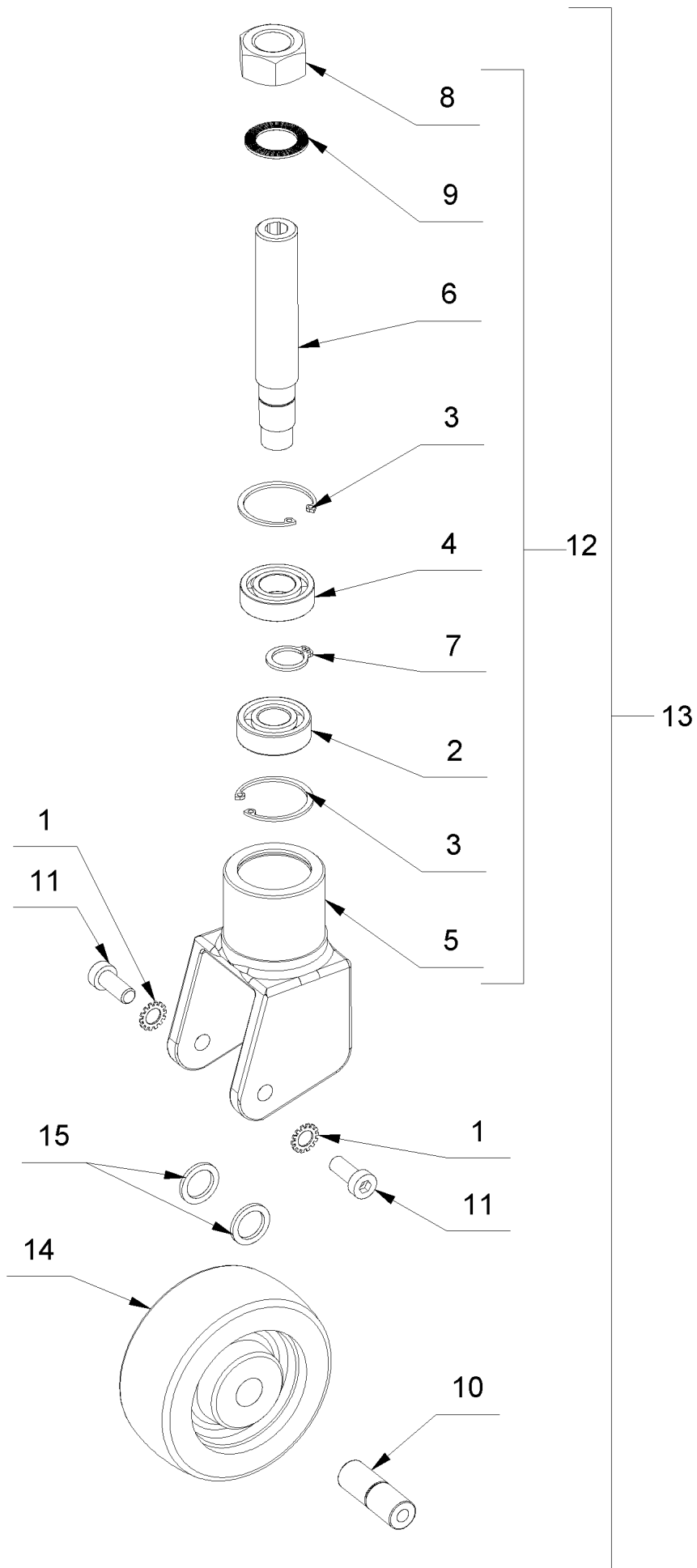
8 Carriage



8 Carriage

Item no.	Article no.	Description	Quantity
1	016321	Spring washer A 8,4 DIN 6798	1
2	014828	Washer M8 DIN 125 A	3
3	014810	Hexagon nut M 8 DIN 934 I6I/I8I	1
4	016179	Pressure spring 30x100x3,5	1
5	014736	Cylinder head screw M8x30 DIN 912	1
6	016425	Eccentric cam with thread Cobra	1
7	016428	Chassis lever Cobra	1
8	016175	Tension spring Cobra	1
9	016430	Cylinder head screw M8x35 DIN 6912	1
10	014816	Hexagon nut M8 DIN 985	1
11	016434	374/67 Connecting piece Cobra	1
12	016343	Cylinder head screw M10x45 DIN 6912	1
13	016437	Distance bushing Cobra	1
14	074349	Wheel Ø98mm Cobra	2
15	074350	Bushing 20x12,1x17	4
16	074347	Lens screw M12x60 ISO7380/1	2
17	016424	Spring washer 12 DIN 127	1

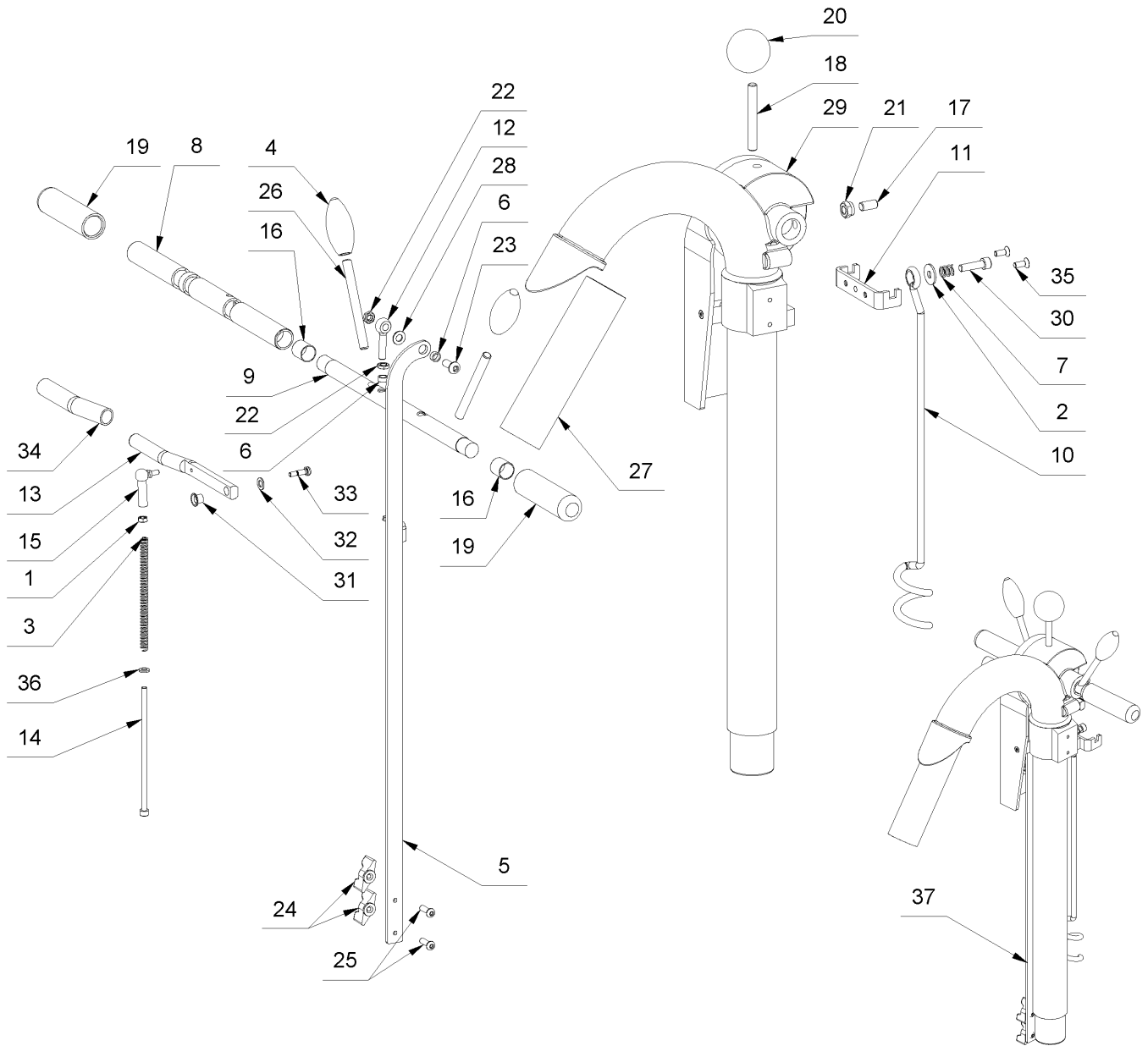
9 Caster



9 Caster

Item no.	Article no.	Description	Quantity
1	016321	Spring washer A 8,4 DIN 6798	2
2	018351	Ball bearing 6202 2RS	1
3	018091	Circlip I35 DIN472	2
4	018359	Ball bearing 6003 2RS	1
5	016406	Steering wheel fork Cobra/Viper/Python	1
6	016410	Casting shaft Cobra/Python	1
7	014850	Safety washer A17 DIN 471	1
8	039981	Hexagon nut M20x1,5 DIN 934	1
9	074979	Washer M20	1
10	014601	Caster wheel Cobra/Viper/Python	1
11	016413	Cylinder head screw M6x150 DIN 912	2
12	047064	Steering wheel fork without wheel Cobra	1
13	074570	Steering wheel w.fork cpl.Cobra Classic	1
14	074349	Wheel Ø98mm Cobra	1
15	074346	Shim ring 15x21x2 DIN 988	2

10 Handle



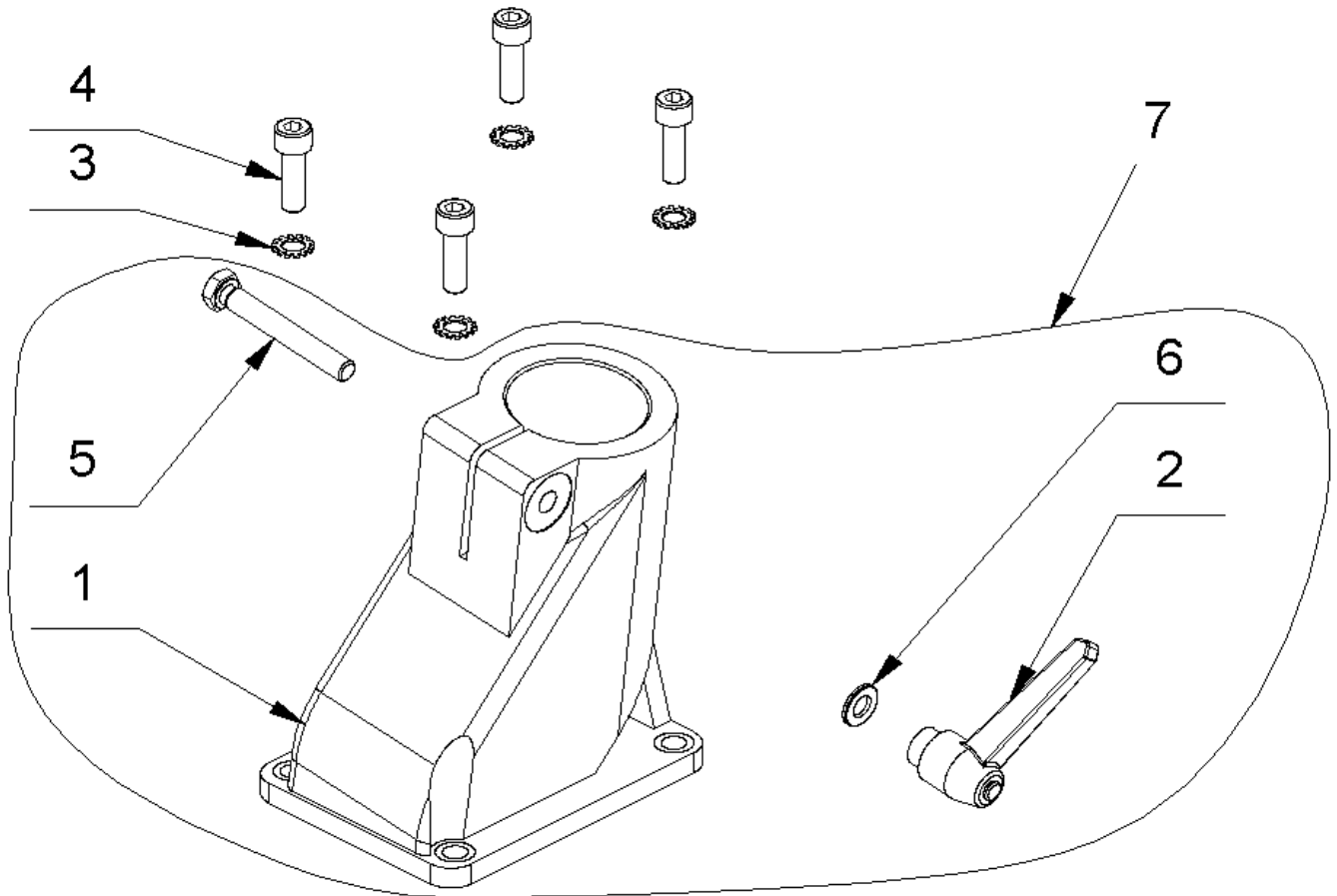
10 Handle

Item no.	Article no.	Description	Quantity
1	014809	Hexagon nut M6 DIN 934	1
2	018737	Washer 8,4x24x2 DIN 9021 galv.	1
3	016638	Pressure spring 9x167x1,2	1
4	016180	Ball handle Cobra/Python/Viper	2
5	082666	Tie rod 595 Cobra Classic	1
6	016437	Distance bushing Cobra	2
7	043827	Pressure spring 13x20x1,5	1
8	047301	Grip pipe Cobra	1
9	047304	Shaft for sinking Cobra	1
10	014548	Cable arm long Viper	1
11	016521	Cable support Cobra/Viper/Python	1
12	047216	Eye screw M8x40 DIN 444	1
13	016628	Lifting grip Cobra	1
14	016673	Cylinder head screw M6x150 DIN 912	1
15	016632	Angle joint Cobra/Viper/Python	1
16	047218	Bushing 1820	2
17	018216	Headless pin M10x20 DIN 913	1
18	014788	Stud bolt M10x60 DIN 835-8.8	1
19	047310	Grip covering Magura	2
20	047220	Ball button 50mm M10	1
21	014817	Hexagon nut M10 DIN 985	1
22	017676	Hexagon nut M8 DIN 936	2
23	047385	Lens head screw M8x20	1
24	047796	Wing nut M6 plastic	2
25	018706	Lens head screw M6x20	2
26	016404	Lever pin Cobra / Viper	2
27	047208	Suction nozzle Cobra	1
28	014828	Washer M8 DIN 125 A	1
29	077095	SteeringFH 2HD 595 CobraClassic	1
30	014736	Cylinder head screw M8x30 DIN 912	1
31	019086	Bushing BB 0810	1
32	078449	Shim washer 8x14x1,2 DIN 988	1
33	053781	Screw M 6x12 DIN 7379	1
34	082068	PVC-hand grip Wega black	1

10 Handle

Item no.	Article no.	Description	Quantity
35	014756	Countersunk screw M6x16 DIN 7991 10.9	2
36	014827	Washer M6 DIN 125 A	1
37	074562	Guidance cpl.Cobra Classic	1

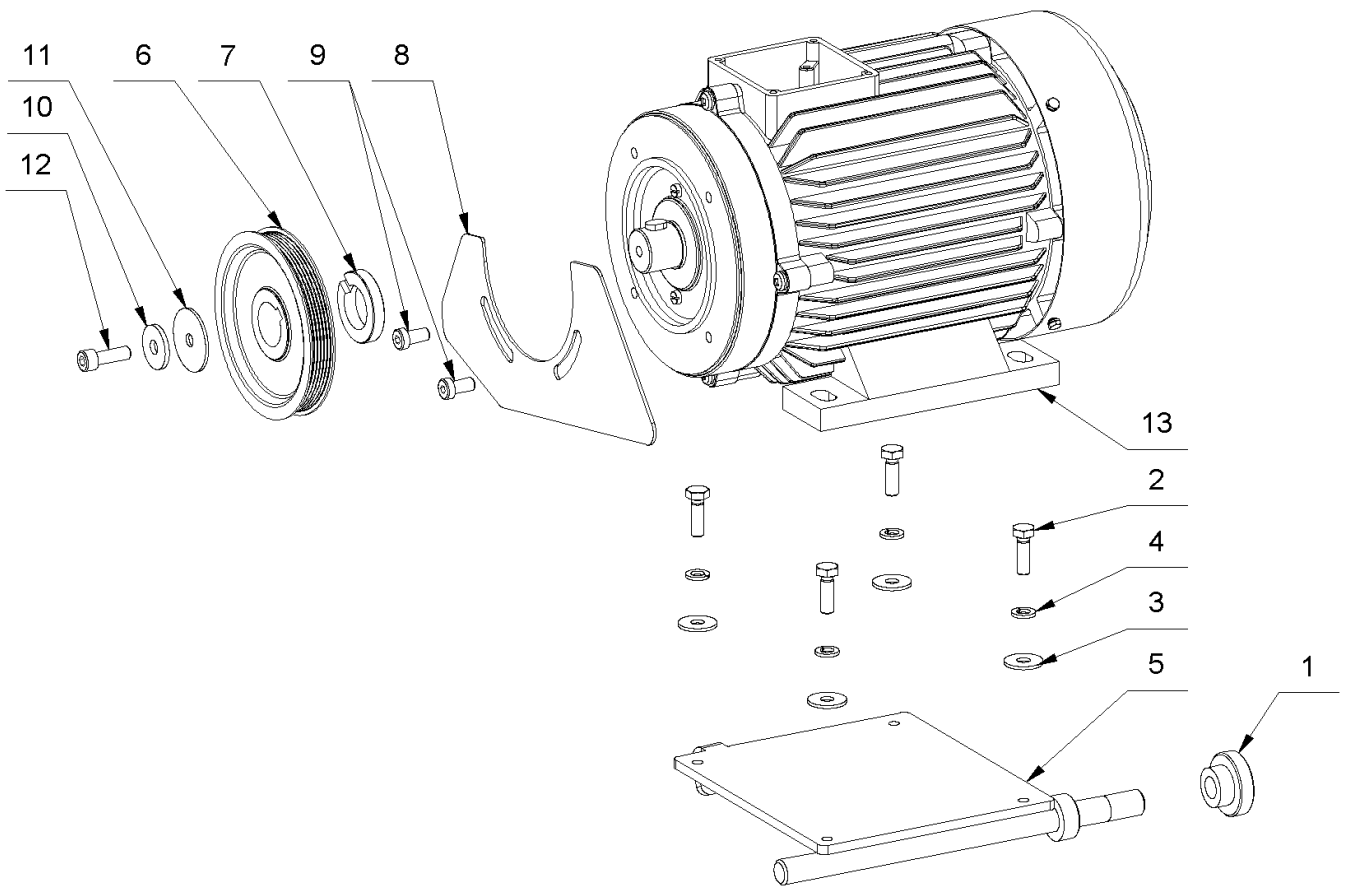
11 Dust Pipe support, compl. w/o castor



11 Dust Pipe support, compl. w/o castor

Item no.	Article no.	Description	Quantity
1	047307	Dust pipe support 7° Cobra	1
2	014877	Clamping lever M8 Duro	1
3	016321	Spring washer A 8,4 DIN 6798	4
4	014735	Cylinder head screw M8x25 DIN 912	4
5	047213	Hexagonal screw M 8x60 DIN 933	1
6	014828	Washer M8 DIN 125 A	1
7	048702	Steering Base compl.	1

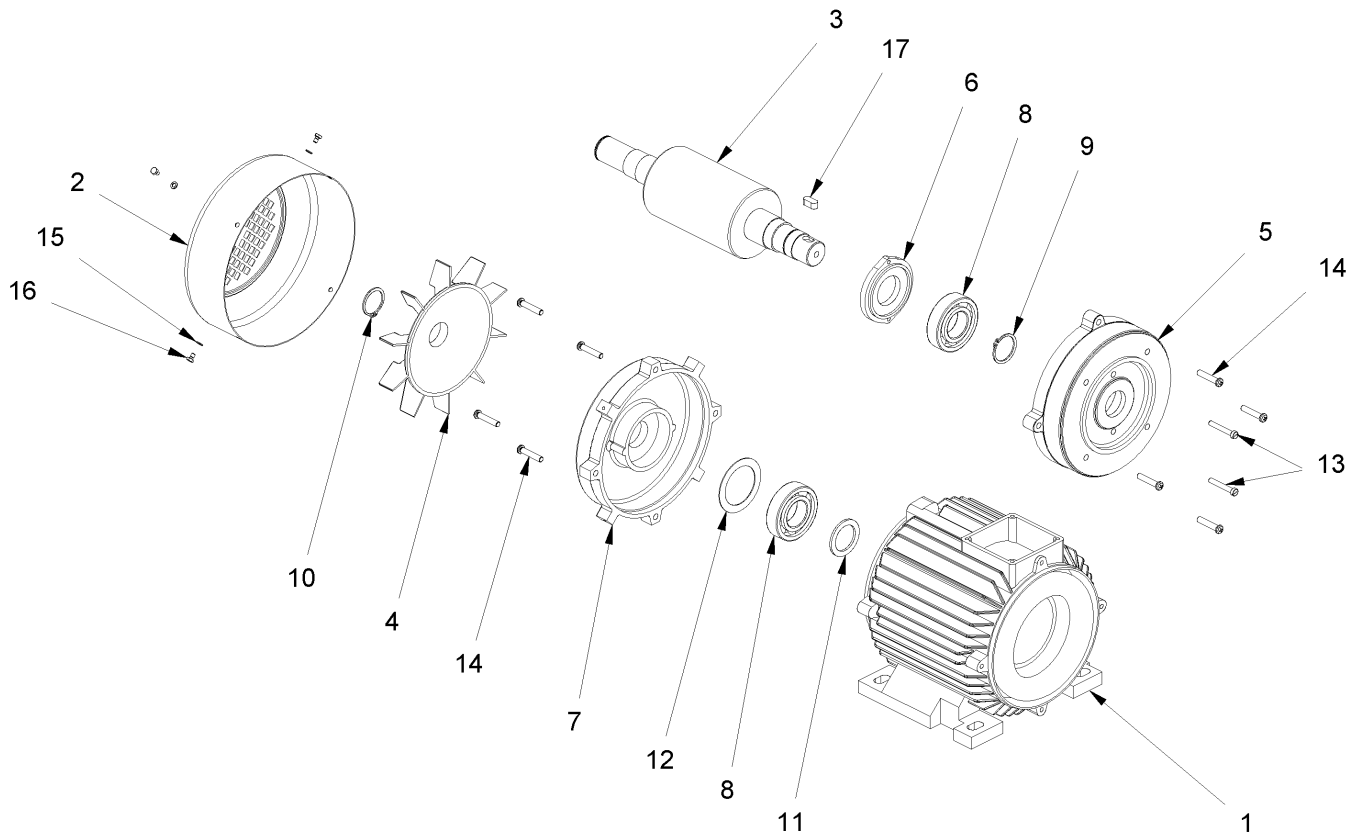
12 Motor



12 Motor

Item no.	Article no.	Description	Quantity
1	016603	Knurled nut M16 Cobra	1
2	014775	Hexagon bolt M 8x25 DIN 933	4
3	018737	Washer 8,4x24x2 DIN 9021 galv.	4
4	016455	Spring washer 8 DIN 127	4
5	078531	Motor base Frank Cobra Classic	1
6	052462	Belt pulley motor Cobra 09	1
7	077386	Distance ring Motor FrankCobraClassic	1
8	077051	Sheet metal shielding FrankCobraClassic	1
9	043918	Cylinder head screw M8x16 DIN 7984	2
10	016612	Washer 9 DIN 440	1
11	043903	Washer 8,4x40x1,5 DIN 522	1
12	014735	Cylinder head screw M8x25 DIN 912	1
13	078515	Motor Dietz 2,5KW without cut-out	1

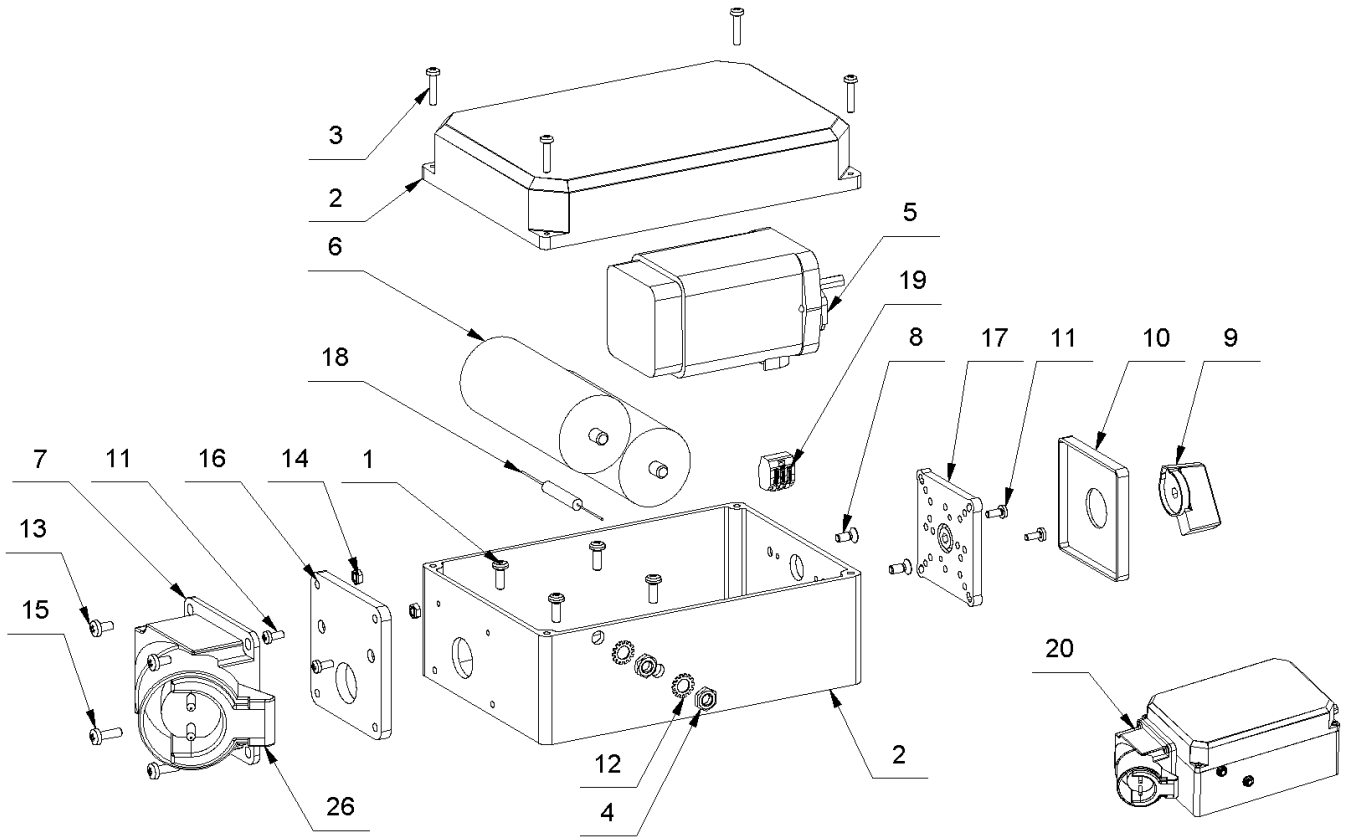
13 Motor Dietz 2,5KW without cut-out



13 Motor Dietz 2,5KW without cut-out

Item no.	Article no.	Description	Quantity
1	043909	Front bearing cover Cobra	1
2	043906	Fan cover DIETZ 2,5 KW	1
3	043867	Rotor w.shaft axleCobra/Python2,5kW/50Hz	1
4	043860	Motor fan DIETZ 2,5 KW	1
5	043896	Motor housing w.stCobra/Python2,5kW/50Hz	1
6	043847	Bearing cover	1
7	043840	Rear bearing cover	1
8	043845	Ball bearing 6206 2RS	2
9	014853	Safety washer A30 DIN 471	1
10	043893	Safety washer A28 DIN 471	1
11	043824	Spacer 42x30x2,5	1
12	043913	Ring(85.01)	1
13	043920	Cylinder screw M5x35 DIN 84	2
14	014804	Lens head screw M4x10 DIN 7985	8
15	043830	Spring washer 4 DIN 127	4
16	043887	Hexagon Screw M 4x 6 DIN 933	4
17	043862	Drum Parallel Key DIN 6885 8x7x14	1

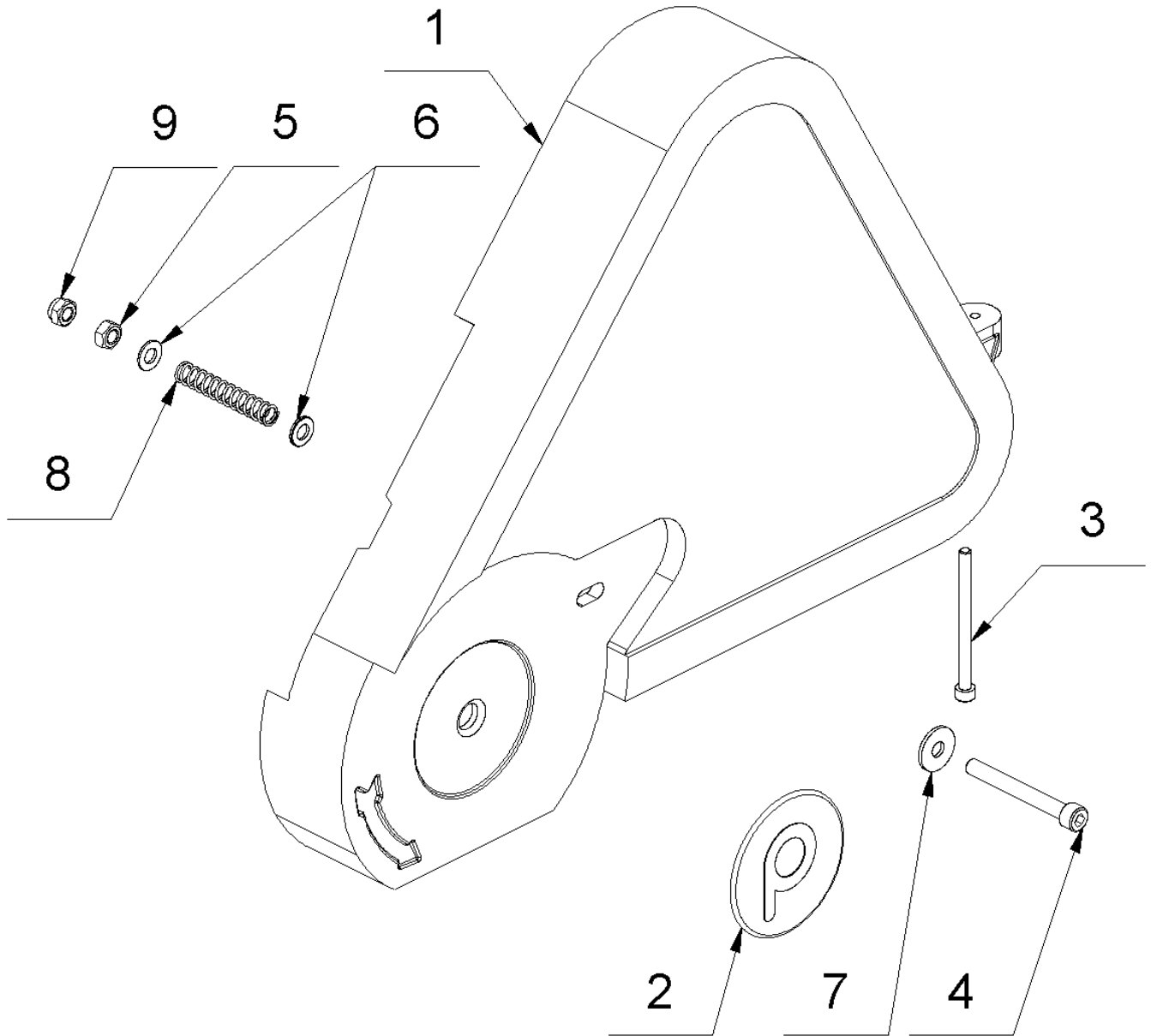
13 Switch box



13 Switch box

Item no.	Article no.	Description	Quantity
1	049052	Self-tapping screw M5x16 DIN 7500	4
2	014542	314/76.94Switch box complete Viper empty	1
3	014805	Lens screw M 4x20 DIN 7985	4
4	017676	Hexagon nut M8 DIN 936	2
5	043869	Switch NR152678 Cobra	1
6	043843	Start Capacitor 60 µF Ducati	2
7	048551	Plug for wall new to 1.7.2007 16 A	1
8	043890	Countersink bolt M5x12 DIN 965	2
9	043875	Switch Knob	1
10	043877	Plate for switch Cobra	1
11	014804	Lens head screw M4x10 DIN 7985	4
12	016321	Spring washer A 8,4 DIN 6798	2
13	017681	Lens head screw M 5x10	2
14	017773	Hexagon nut M5 DIN 934	2
15	048507	lens head screw M5x16 DIN 7985	2
16	074382	Flange f. Plug for wall 16A	1
17	077217	Front panel f.switch box	1
18	063263	discharge resistor Cobra 09	1
19	050145	Connection terminal 3-fold	1
20	048631	Switch box + switch for 2,5Kw	1
26	049327	Strain relief clamp Viper/Cobra	1

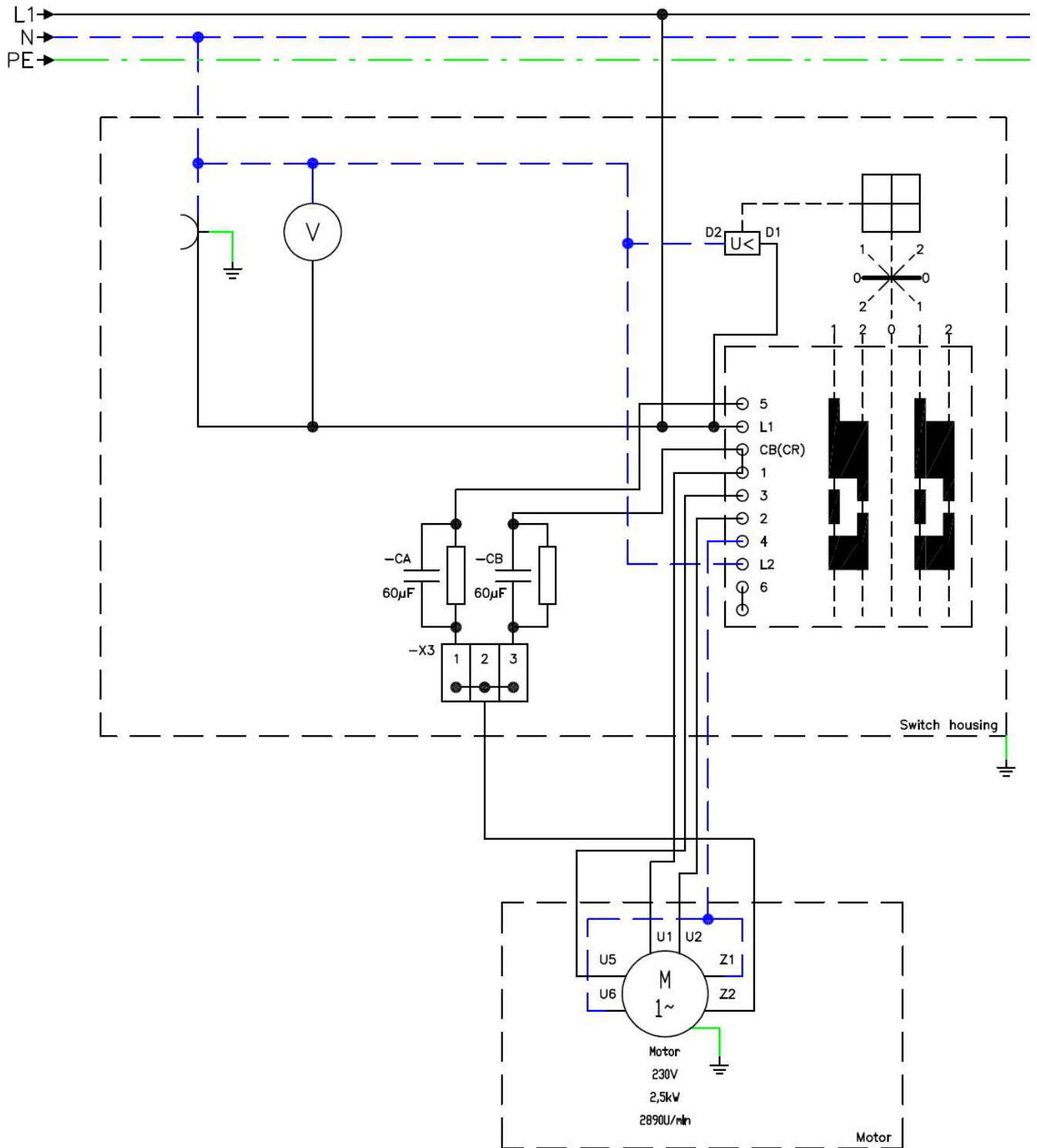
14 Belt protection hood



14 Belt protection hood

Item no.	Article no.	Description	Quantity
1	074616	Belt protection hood CobraCla./PythonCla	1
2	129934	Label Pallmann 3D Ø 80mm	1
3	077311	Cylinder head screw M 6x 80 DIN 912	1
4	018250	Cylinder head screw M8x70 DIN 912	1
5	014810	Hexagon nut M 8 DIN 934 I6I/I8I	1
6	014828	Washer M8 DIN 125 A	2
7	018737	Washer 8,4x24x2 DIN 9021 galv.	1
8	077473	Pressure spring VD-194	1
9	014816	Hexagon nut M8 DIN 985	1

15 Circuit diagram



15 Circuit diagram

16 Tool kit

Article no.	Description	Quantity
017601	Open-end wrench SW17	1
016842	Open-ended wrench SW10	1
016799	Open-end wrench SW13	1
016800	Open-end wrench SW19	1
018635	Open-end wrench SW24	1
043826	Double open-end wrench SW30/36	1
017027	Hexagonal screw key SW4 DIN 911	1
014956	Hexagonal screw key SW5 DIN 911	1
014957	Hexagonal screw key SW6 DIN 911	1
014959	Hexagonal screw key SW8 DIN 911	1
018641	Hexagonal screw key SW10 DIN 911	1
060253	Tool bag orange	1
016813	Multi clip URS/Gecko/Cobra/Viper	1

17 Accessories

Article no.	Description	Quantity
012624	CORUNDUM SANDING BELT 200 X 750 MM K 36	1
012627	CORUNDUM SANDING BELT 200 X 750 MM K 60	1
012629	CORUNDUM SANDING BELT 200 X 750 MM K 100	1
015315	Hearing protectors	1
016732	Fine dust mask Gecko/URS/Cobra	1
040383	Running wheel adjusting tool cpl.Cobra	1
013839	DUST BAG FOR COBRA/VIPER/PYTHON	1
077170	Drive belt 6PJ 1371 Cobra Classic	1
060282	extension cord3G2,5x12,5 orange/Pallmann	1
062062	Ext.cord 3G2,5x12,5orangeUK230V/Pallm	1
081446	Sander base Cobra/Python	1