



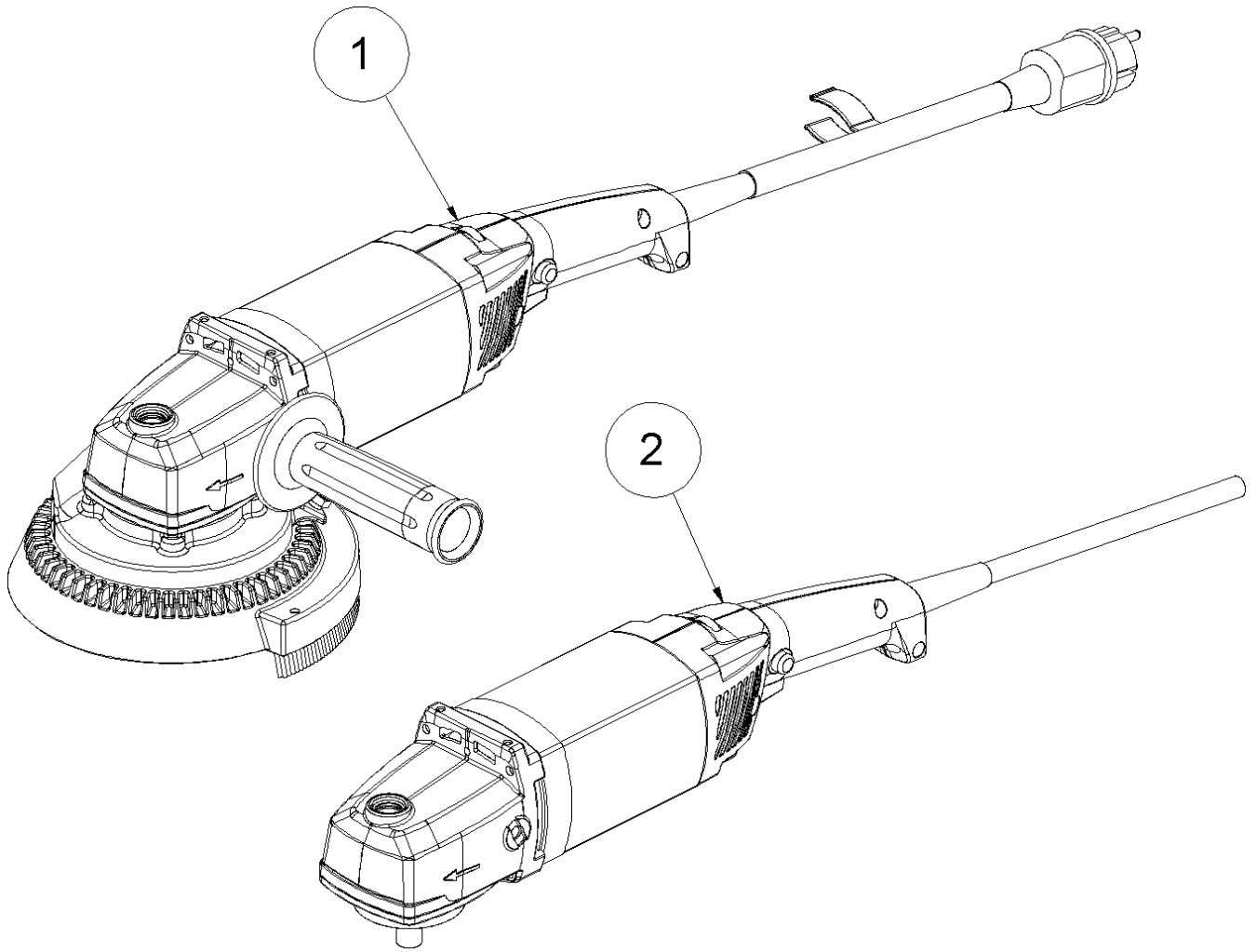
spare parts list
Pallmann Gecko Flex 230V EU



Table of contents

1 Gecko Flex (0001/2010-01240/2014)	3
1 Maschine	5
2 Motor	8
3 Circuit diagram	12
4 Tool kit	15
1 Equipment kit Gecko Flex	17
2 Gecko Flex (01241/2015-01394/2015)	18
1 Machine	20
2 Motor	23
3 Circuit diagram	26
4 Tool kit	29
1 Equipment kit Gecko Flex	31
3 Gecko Flex (01395/2015-heute)	32
1 Machine	34
2 Motor	37
3 Circuit diagram	40
4 Tool kit	43
1 Equipment kit Gecko Flex	45

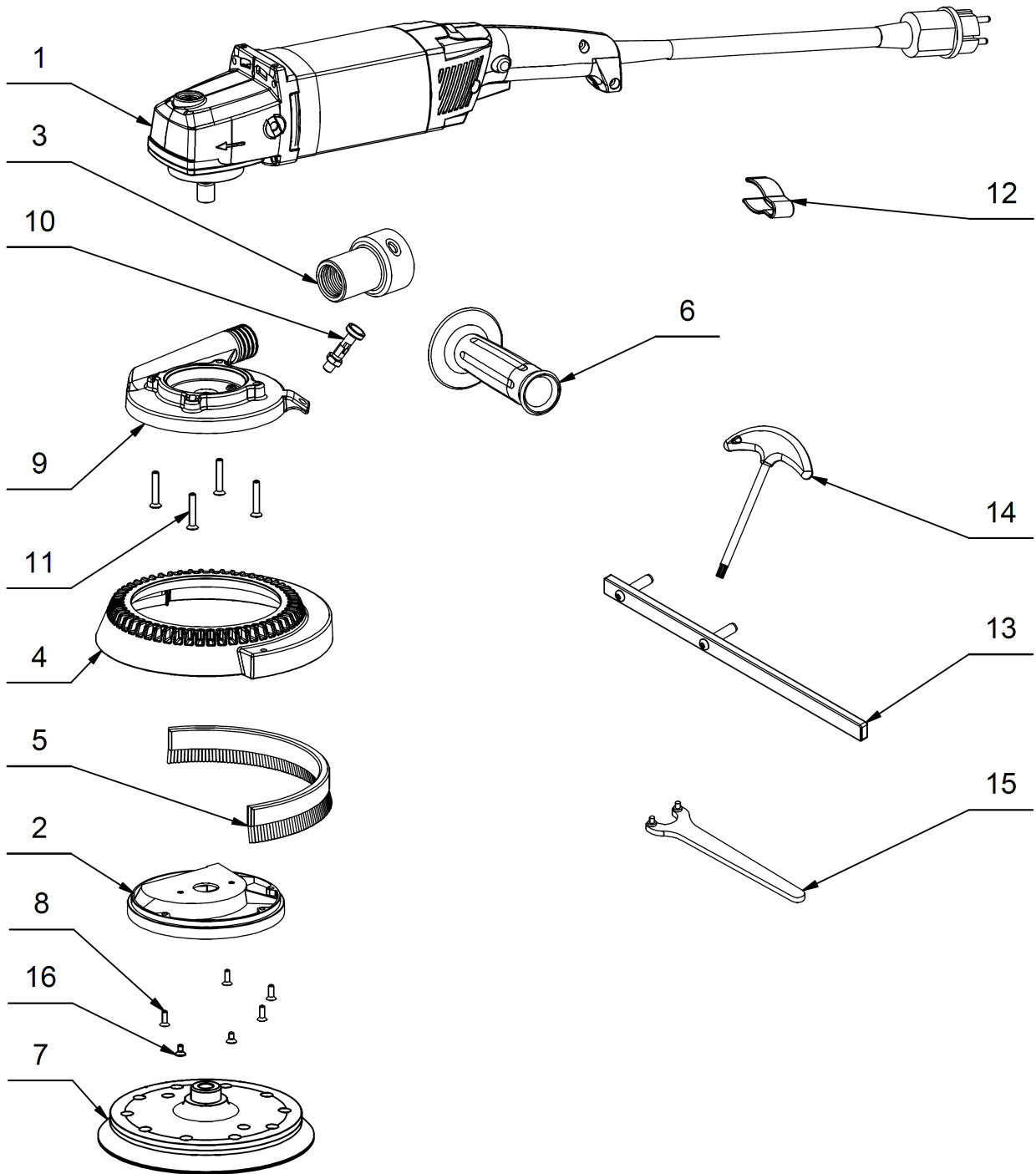
1 Gecko Flex (0001/2010-01240/2014)



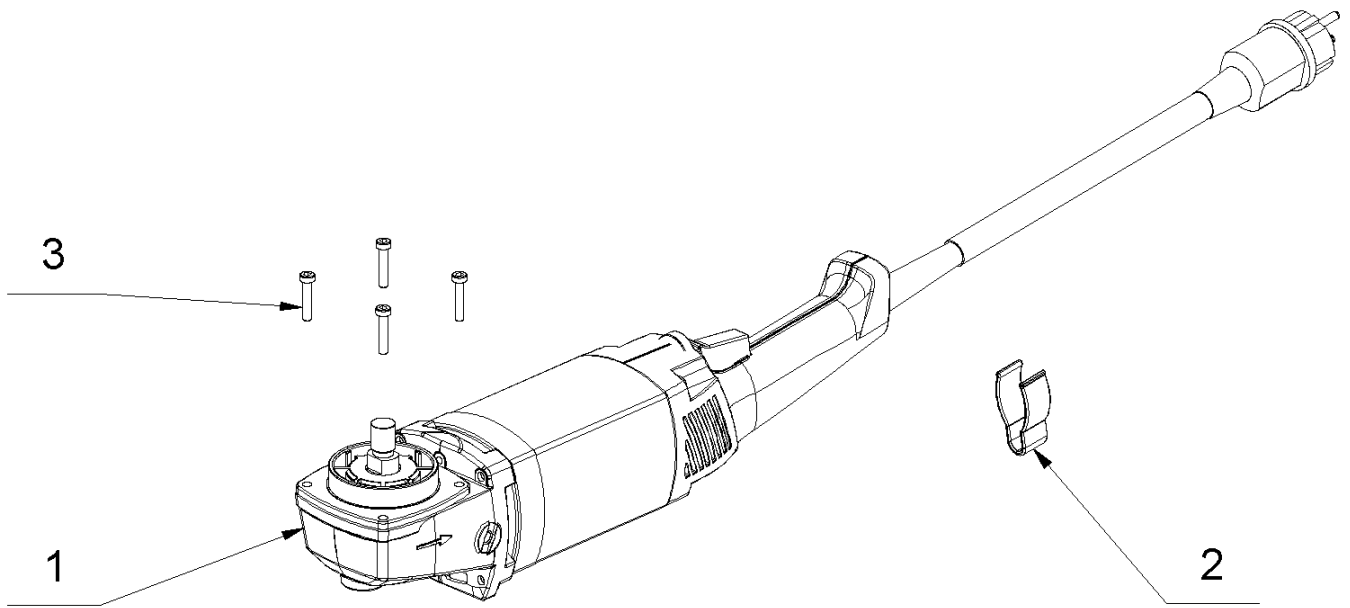
1 Gecko Flex (0001/2010-01240/2014)

Item no.	Article no.	Description
1	01_01_060037	Maschine
2	01_02_060037	Motor
3	01_03_060037	Circuit diagram
4	01_04_060037	Tool kit

1 Maschine



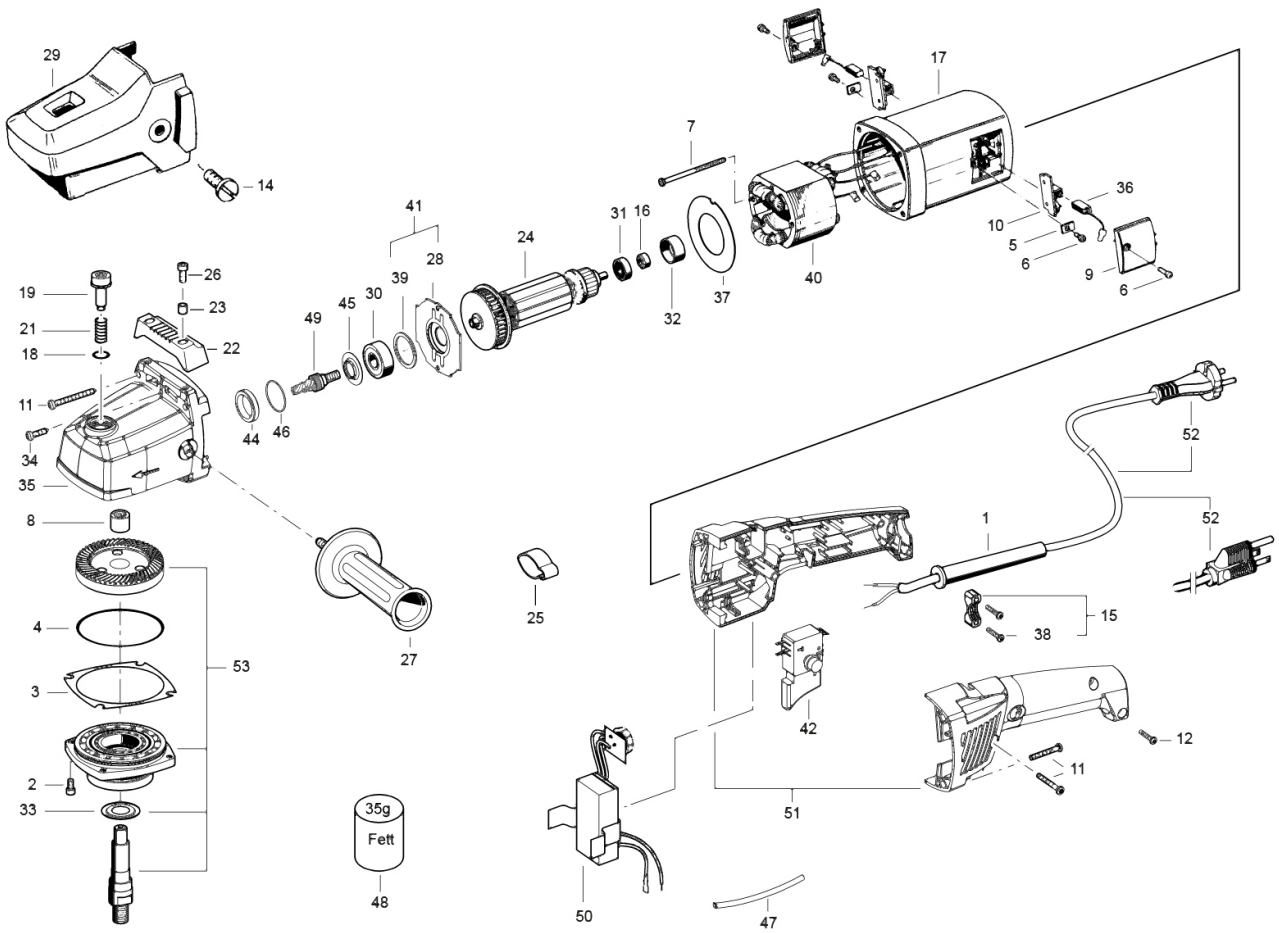
1 Maschine



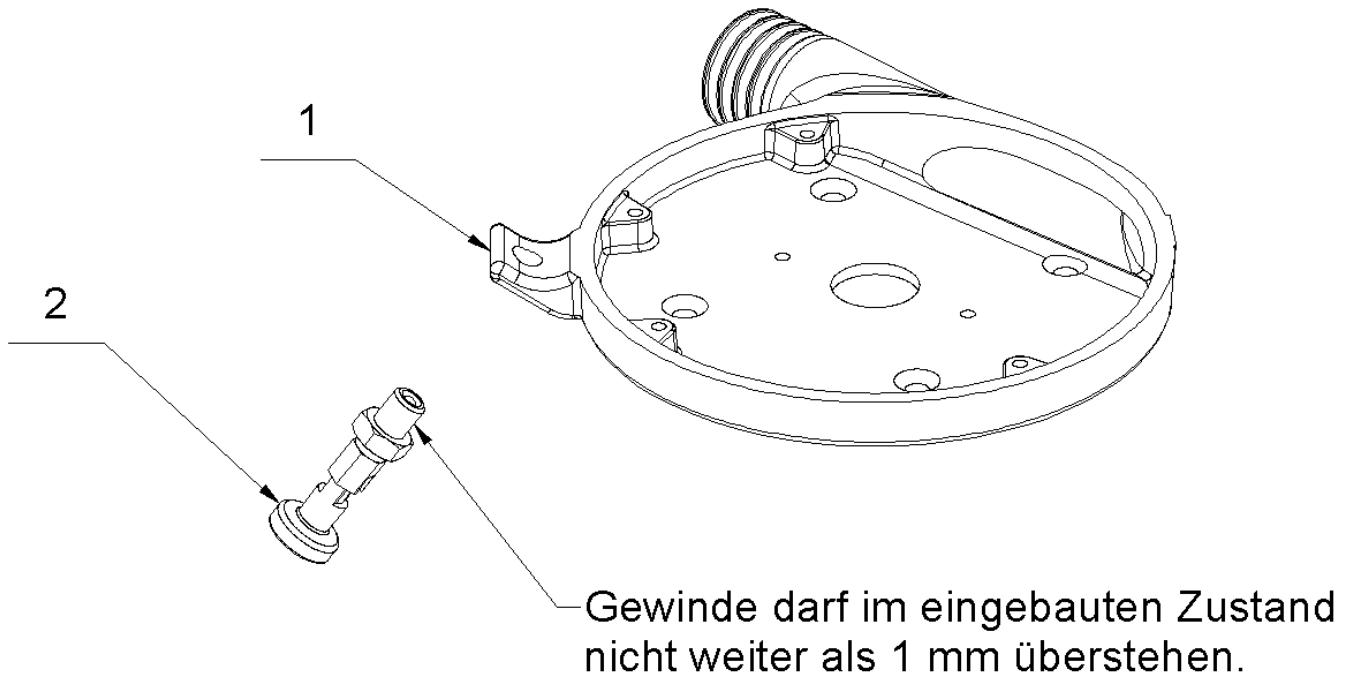
1 Maschine

Item no.	Article no.	Description	Quantity
1	060972	Motor 230V Gecko Flex	1
2	061132	Flange cover Gecko Flex	1
3	061133	Adapter Gecko Flex	1
4	061130	Cover Gecko Flex	1
5	061128	Brush Gecko Flex	1
6	061166	Handle Gecko M8x12 Flex	1
7	061162	PLATE VELCRO DISC GECKO FLEX	1
8	061369	Countersunk screw M4x12 TORX	4
9	061126	Flange suction Gecko Flex	1
9	068330	flange silver Gecko Flex	1
10	061484	Locking pin Gecko Flex	1
11	061370	Countersunk screw M5x30 TORX	4
12	061621	Hose support	1
13	061662	BT twin hole spannerGeckoFlex sZNr.61659	1
14	061679	Torx wrench TX 40	1
15	018642	Twin hole spanner DIN3116-SW30-4mm	1
16	171206	Countersunk screw M4x8 Torx	2

2 Motor



2 Motor



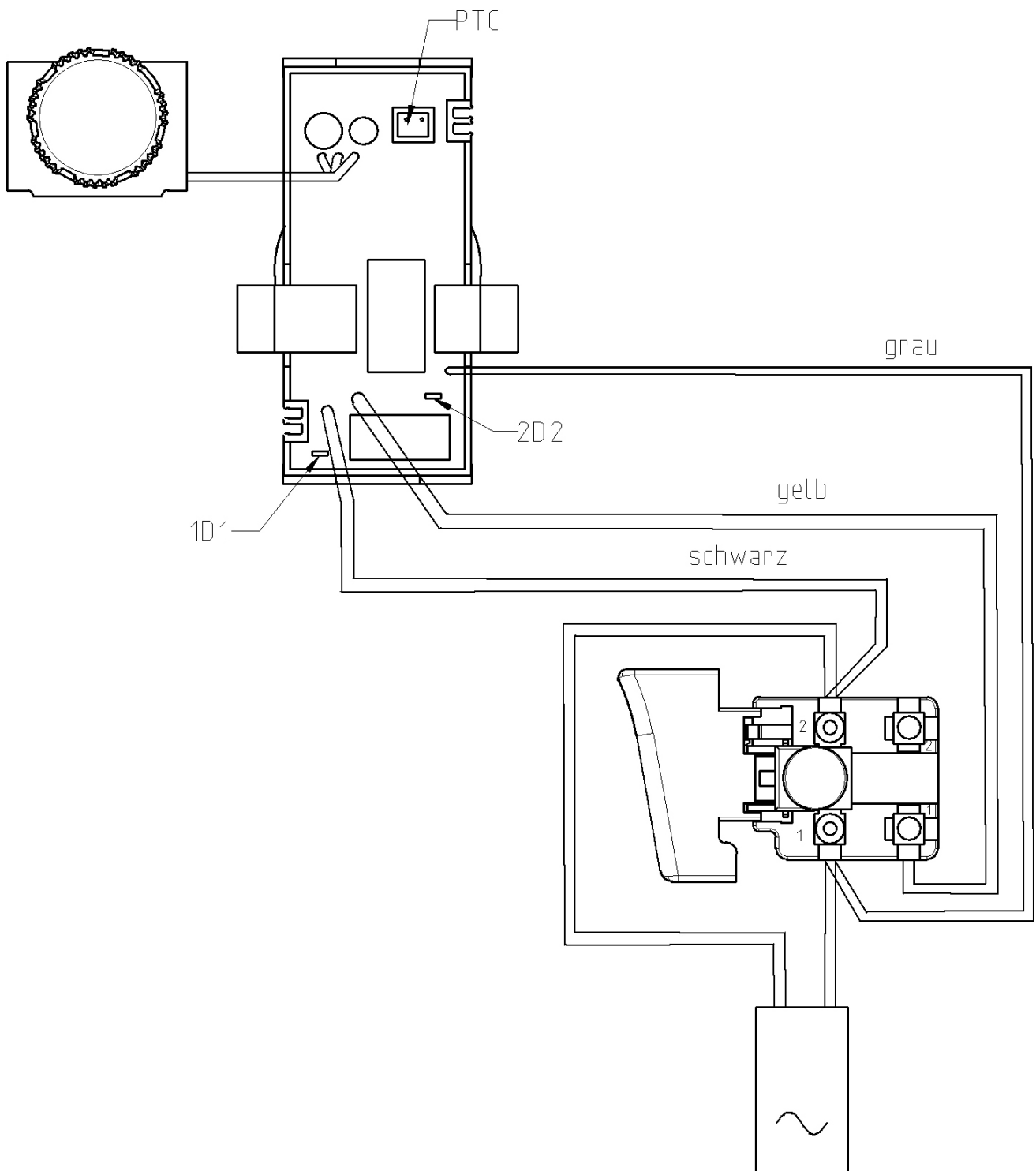
2 Motor

Item no.	Article no.	Description	Quantity
1	079907	Cable protection cover Gecko Flex	1
2	017610	Cylinder head screw M5x16 DIN 912	4
3	068201	Spacer 0,2mm Gecko Flex	1
4	065508	O-Ring 70x2 Gecko Flex	1
5	068197	Bracket Gecko Flex	2
6	018039	Screw KT4x12 Motor Duro 2.0	4
7	018049	Screw Flex Junio 03	2
8	066296	Sinter bearing Gecko Flex	1
9	075703	Carbon brush holder cap Gecko Flex	2
10	067379	Carbon brush holder Gecko Flex	2
11	075700	Screw KT 5x35 Gecko Flex	4
12	079908	Screw KT Gecko Flex	2
13	034238	Colorlux H276-S2 / 1 l	1
14	067698	Plastic screw M8x10 GeckoFlex	2
15	079905	Cable clamp Gecko Flex	1
16	065261	Annular magnet Gecko Flex	1
17	074874	Motor housing Gecko Flex	1
18	019459	O-Ring 12,42x1,78	1
19	079539	Locking button cpl. Gecko Flex	1
21	019458	Pressure spring 9x14,5x0,6	1
22	067765	Strip for shelf Gecko Flex	1
23	067767	Spacer sleeve Gecko Flex	2
24	062969	armature 230V Gecko Flex to 08/2015	1
25	061621	Hose support	3
26	067768	Cylinder head bolt M 4x 12 DIN 85	2
27	061166	Handle Gecko M8x12 Flex	1
28	074908	Bearing cover Gecko Flex	1
29	067697	Handle casing with Pin Gecko Flex	1
30	041147	Ball bearing Flex Junio 07	1
31	041146	Ball bearing 607-2RS Flex Junio 07	1
32	065263	Bearing ring Gecko Flex	1
33	079909	Washer Gecko Flex	1
34	018048	Screw KT Flex Junio 03	2
35	073631	Gear box housing Gecko Flex	1

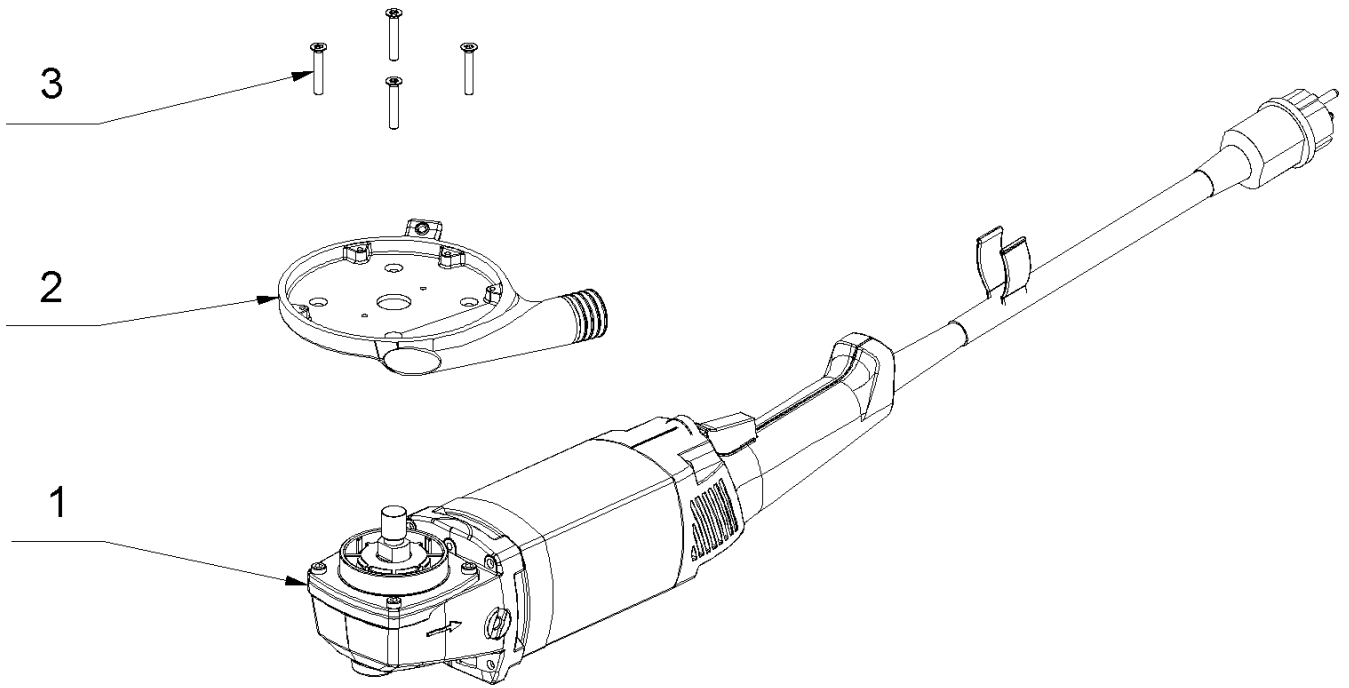
2 Motor

Item no.	Article no.	Description	Quantity
36	062993	carbon brush 230V Gecko Flex	1
37	074910	Air guide Gecko Flex	1
38	018050	Screw Flex Junio 03	2
39	067788	Sealing ring Gecko Flex	1
40	062991	Magnetic field coils 230V Gecko Flex	1
41	079177	Bearing cap with seal Gecko Flex	1
42	062996	Switch with lock Gecko Flex	1
44	069255	Ring aluminium Gecko Flex	1
45	069310	Tight cuff Gecko Flex	1
46	069254	Sealing ring Ø24x1 Gecko Flex	1
47	079911	Protection cover Gecko Flex	1
48	134434	Fat for Gecko Flex Motor SEE 163993	1
49	080408	Bevel gear + pinion Gecko Flex	1
50	062997	electronic 230V Gecko Flex	1
51	079912	Handle set Gecko Flex	1
52	067766	Cable 2x1x4m PUR black Schukost.GeckoFle	1
52	019170	Plug 3-pol.230V SK1 UK	1
53	079916	Gear shaft complet+pinion Gecko Flex	1
o.Abb.	059185	Plug adapter 2-pole 230V CH T11	1
o.Abb.	019170	Plug 3-pol.230V SK1 UK	1

3 Circuit diagram

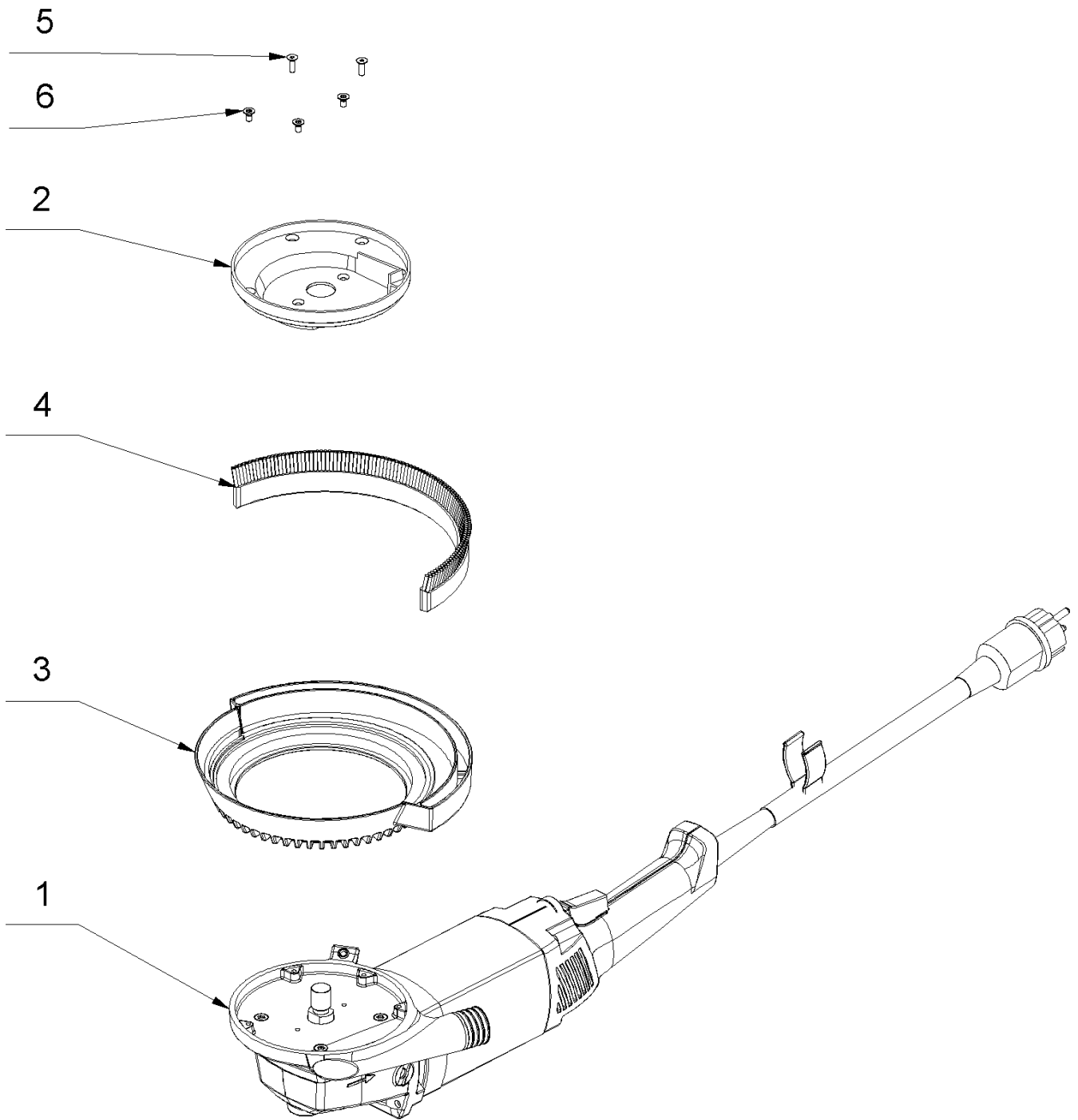


3 Circuit diagram



3 Circuit diagram

4 Tool kit



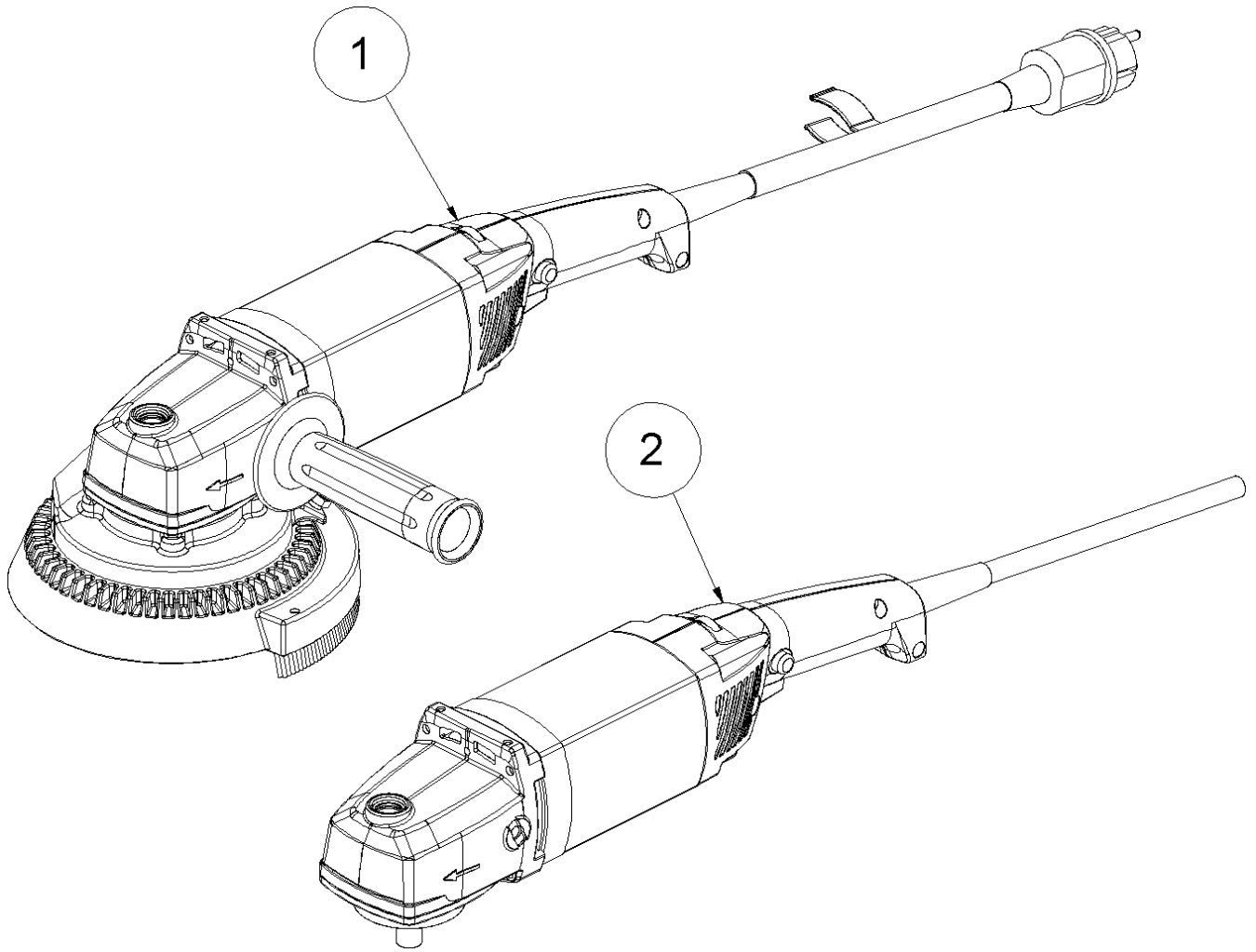
4 Tool kit

Item no.	Article no.	Description
1	078125	Equipment kit Gecko Flex

1 Equipment kit Gecko Flex

Article no.	Description	Quantity
061659	Twin hole spanner Gecko Flex	1
015315	Hearing protectors	1
016732	Fine dust mask Gecko/URS/Cobra	1
018642	Twin hole spanner DIN3116-SW30-4mm	1
061133	Adapter Gecko Flex	1
062005	ZIRCON VELCRO DISC 178 MM 10-HOLES K 80	3
062002	ZIRCON VELCRO DISC 178 MM 10-HOLES K 40	3
061679	Torx wrench TX 40	1
061128	Brush Gecko Flex	1
061162	PLATE VELCRO DISC GECKO FLEX	1
061491	Clamping washer Gecko Flex	1
061166	Handle Gecko M8x12 Flex	1

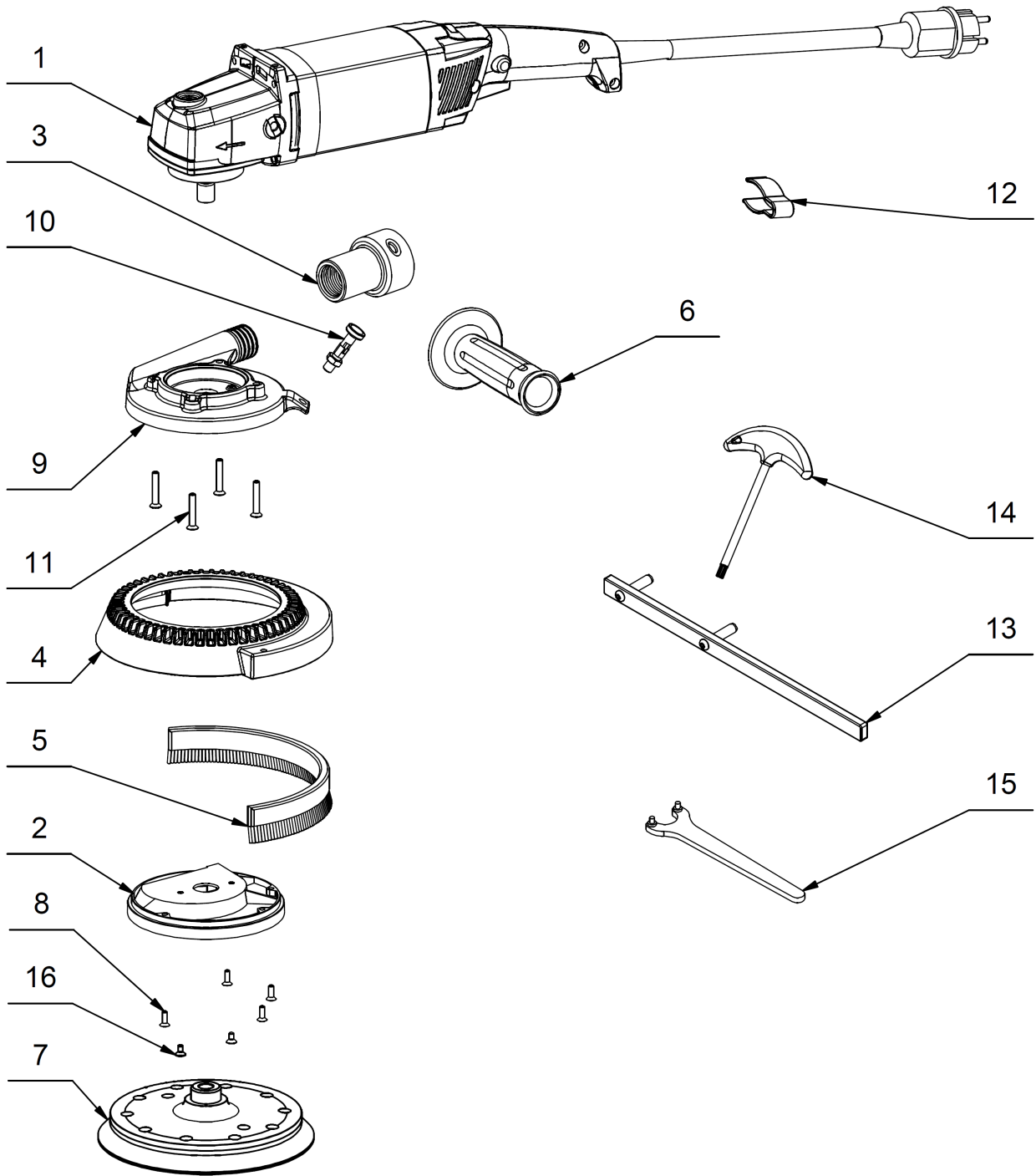
2 Gecko Flex (01241/2015-01394/2015)



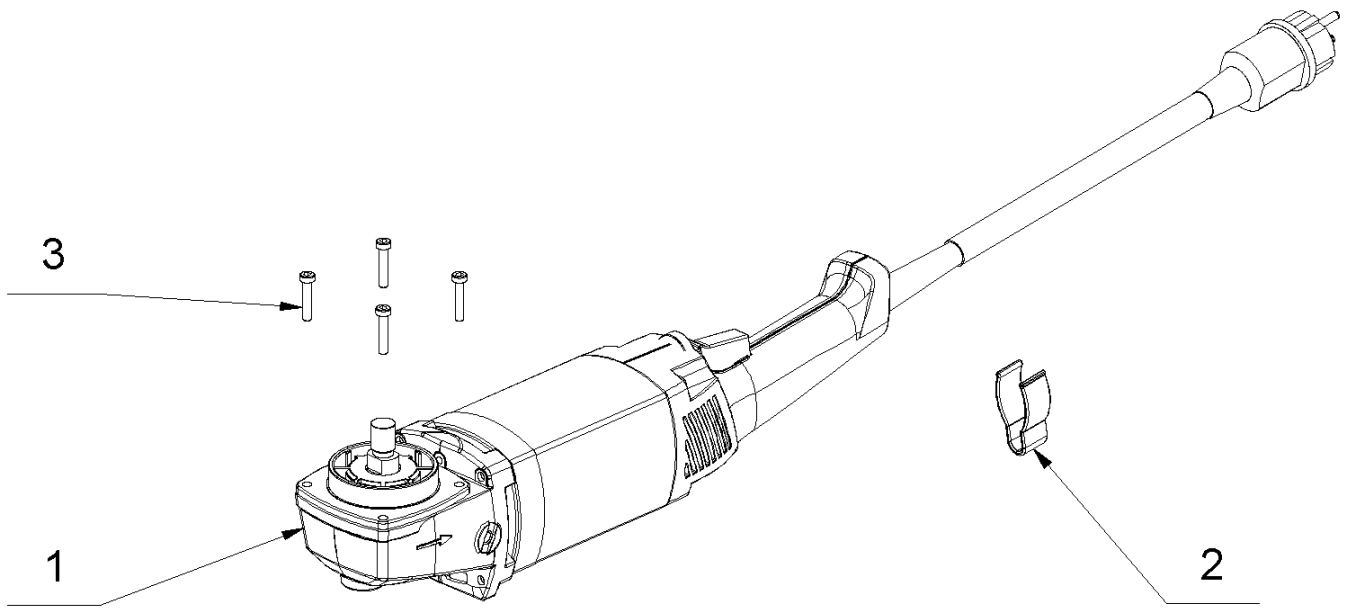
2 Gecko Flex (01241/2015-01394/2015)

Item no.	Article no.	Description
1	01_01_060037	Machine
2	02_02_060037	Motor
3	01_03_060037	Circuit diagram
4	01_04_060037	Tool kit

1 Machine



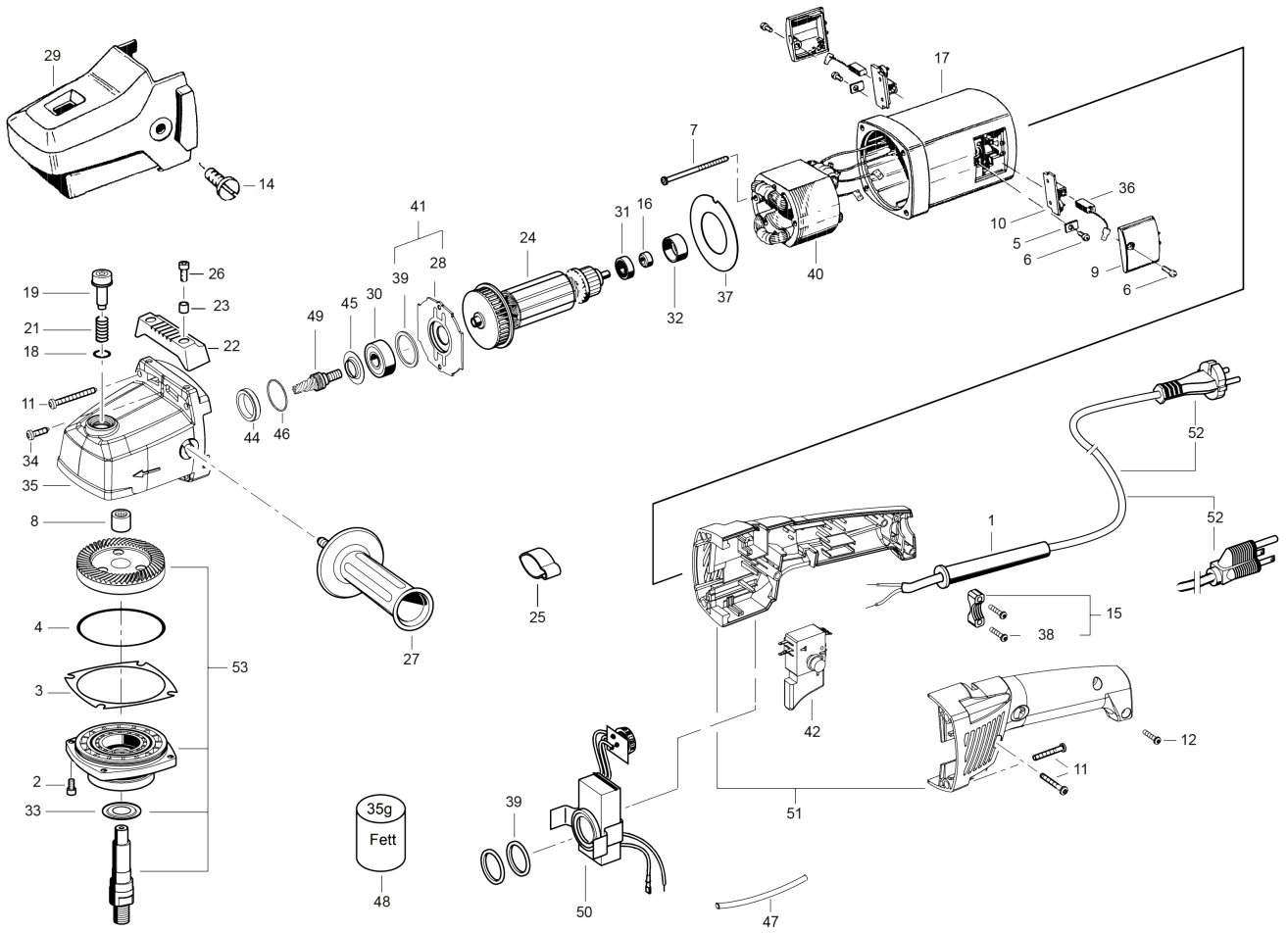
1 Machine



1 Machine

Item no.	Article no.	Description	Quantity
1	060972	Motor 230V Gecko Flex	1
2	061132	Flange cover Gecko Flex	1
3	061133	Adapter Gecko Flex	1
4	061130	Cover Gecko Flex	1
5	061128	Brush Gecko Flex	1
6	061166	Handle Gecko M8x12 Flex	1
7	061162	PLATE VELCRO DISC GECKO FLEX	1
8	061369	Countersunk screw M4x12 TORX	4
9	061126	Flange suction Gecko Flex	1
9	068330	flange silver Gecko Flex	1
10	061484	Locking pin Gecko Flex	1
11	061370	Countersunk screw M5x30 TORX	4
12	061621	Hose support	1
13	061662	BT twin hole spannerGeckoFlex sZNr.61659	1
14	061679	Torx wrench TX 40	1
15	018642	Twin hole spanner DIN3116-SW30-4mm	1
16	171206	Countersunk screw M4x8 Torx	2

2 Motor



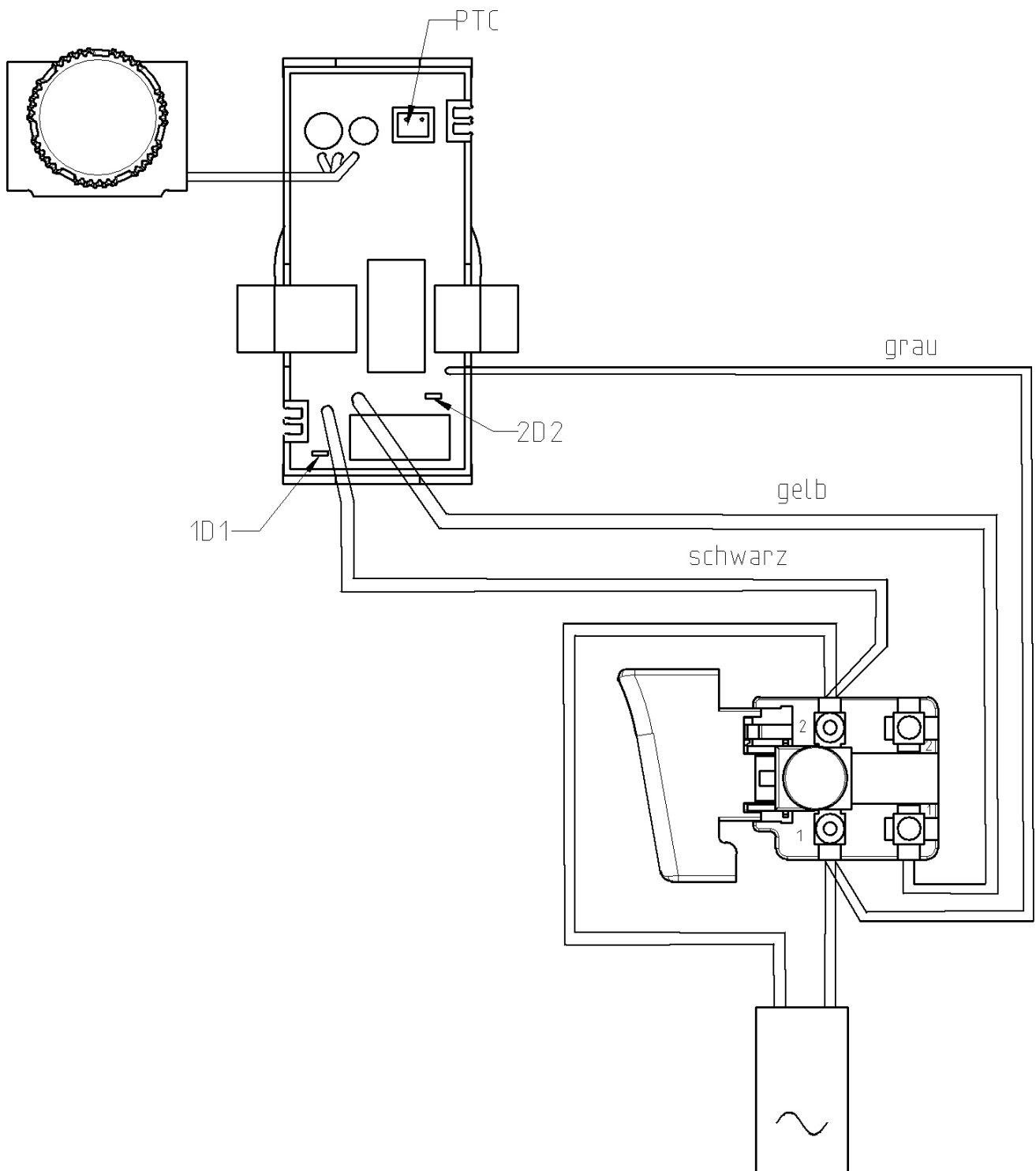
2 Motor

Item no.	Article no.	Description	Quantity
1	079907	Cable protection cover Gecko Flex	1
2	017610	Cylinder head screw M5x16 DIN 912	4
3	068201	Spacer 0,2mm Gecko Flex	1
4	065508	O-Ring 70x2 Gecko Flex	1
5	068197	Bracket Gecko Flex	2
6	018039	Screw KT4x12 Motor Duro 2.0	4
7	018049	Screw Flex Junio 03	2
8	066296	Sinter bearing Gecko Flex	1
9	075703	Carbon brush holder cap Gecko Flex	2
10	067379	Carbon brush holder Gecko Flex	2
11	075700	Screw KT 5x35 Gecko Flex	4
12	079908	Screw KT Gecko Flex	2
13	034238	Colorlux H276-S2 / 1 l	1
14	067698	Plastic screw M8x10 GeckoFlex	2
15	079905	Cable clamp Gecko Flex	1
16	079904	Magnetic ring cpl.10pin Gecko Flex	1
17	074874	Motor housing Gecko Flex	1
18	019459	O-Ring 12,42x1,78	1
19	079539	Locking button cpl. Gecko Flex	1
21	019458	Pressure spring 9x14,5x0,6	1
22	067765	Strip for shelf Gecko Flex	1
23	067767	Spacer sleeve Gecko Flex	2
24	079915	Armature 230V Gecko Flex start09/2015	1
25	061621	Hose support	
26	067768	Cylinder head bolt M 4x 12 DIN 85	3
27	061166	Handle Gecko M8x12 Flex	2
28	074908	Bearing cover Gecko Flex	1
29	067697	Handle casing with Pin Gecko Flex	1
30	041147	Ball bearing Flex Junio 07	1
31	041146	Ball bearing 607-2RS Flex Junio 07	1
32	065263	Bearing ring Gecko Flex	1
33	079909	Washer Gecko Flex	1
34	018048	Screw KT Flex Junio 03	1
35	073631	Gear box housing Gecko Flex	2

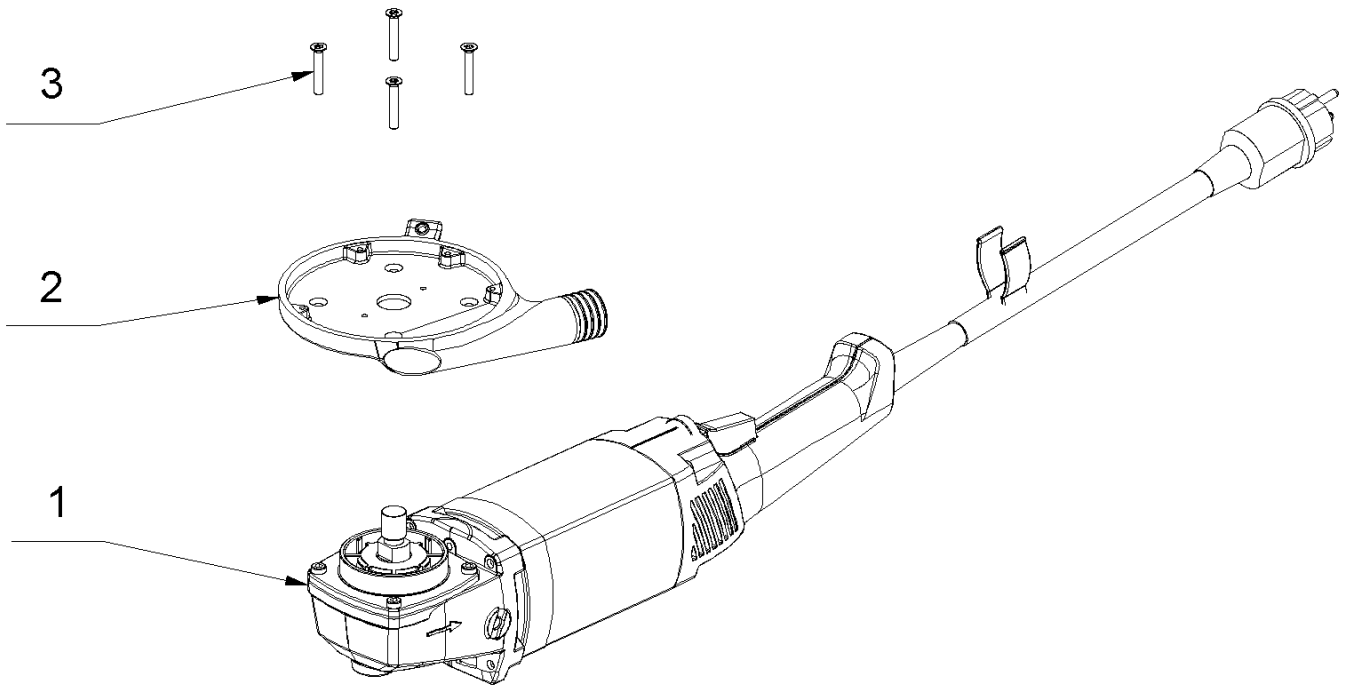
2 Motor

Item no.	Article no.	Description	Quantity
36	062993	carbon brush 230V Gecko Flex	1
37	074910	Air guide Gecko Flex	1
38	018050	Screw Flex Junio 03	1
39	067788	Sealing ring Gecko Flex	3
40	062992	Magnetic field 115V Gecko Flex	1
41	079177	Bearing cap with seal Gecko Flex	1
42	062996	Switch with lock Gecko Flex	1
44	069255	Ring aluminium Gecko Flex	1
45	069310	Tight cuff Gecko Flex	1
46	069254	Sealing ring Ø24x1 Gecko Flex	1
47	079911	Protection cover Gecko Flex	1
48	134434	Fat for Gecko Flex Motor SEE 163993	1
49	080408	Bevel gear + pinion Gecko Flex	1
50	062997	electronic 230V Gecko Flex	1
51	079912	Handle set Gecko Flex	1
52	067766	Cable 2x1x4m PUR black Schukost.GeckoFle	1
52	019170	Plug 3-pol.230V SK1 UK	1
53	079916	Gear shaft complet+pinion Gecko Flex	1
o.Abb.	059185	Plug adapter 2-pole 230V CH T11	1
o.Abb.	019170	Plug 3-pol.230V SK1 UK	1

3 Circuit diagram

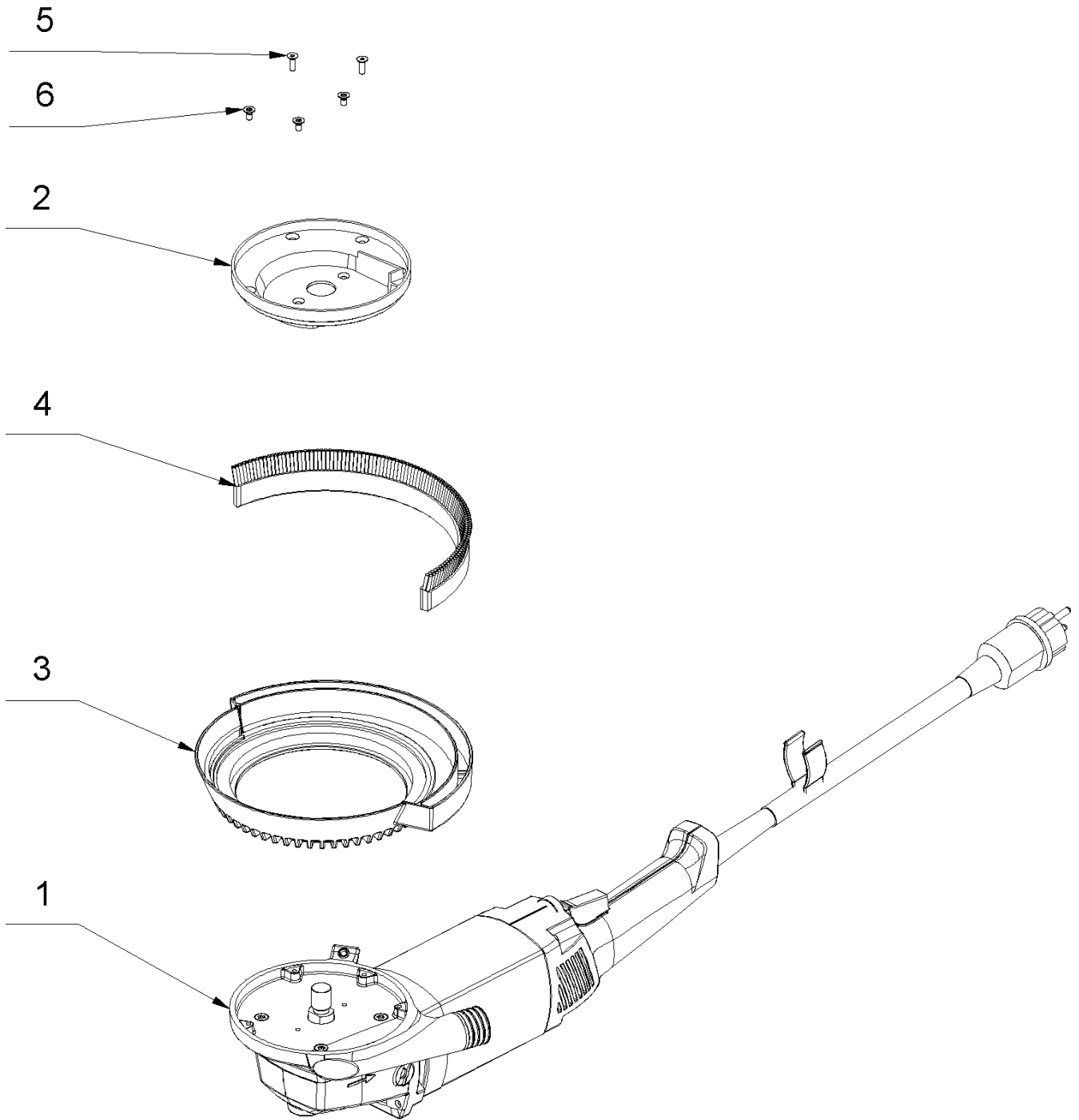


3 Circuit diagram



3 Circuit diagram

4 Tool kit



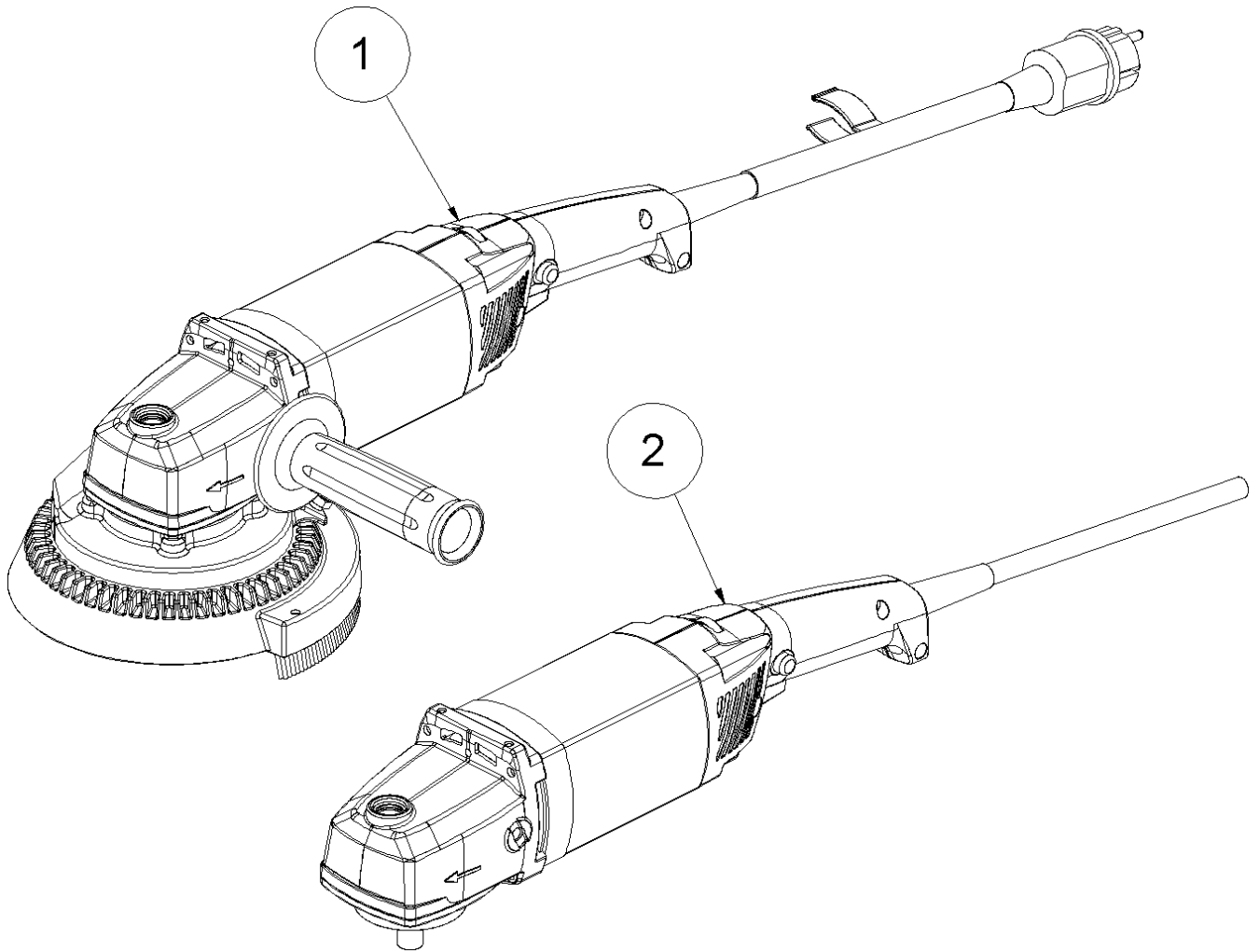
4 Tool kit

Item no.	Article no.	Description
1	078125	Equipment kit Gecko Flex

1 Equipment kit Gecko Flex

Article no.	Description	Quantity
061659	Twin hole spanner Gecko Flex	1
015315	Hearing protectors	1
016732	Fine dust mask Gecko/URS/Cobra	1
018642	Twin hole spanner DIN3116-SW30-4mm	1
061133	Adapter Gecko Flex	1
062005	ZIRCON VELCRO DISC 178 MM 10-HOLES K 80	3
062002	ZIRCON VELCRO DISC 178 MM 10-HOLES K 40	3
061679	Torx wrench TX 40	1
061128	Brush Gecko Flex	1
061162	PLATE VELCRO DISC GECKO FLEX	1
061491	Clamping washer Gecko Flex	1
061166	Handle Gecko M8x12 Flex	1

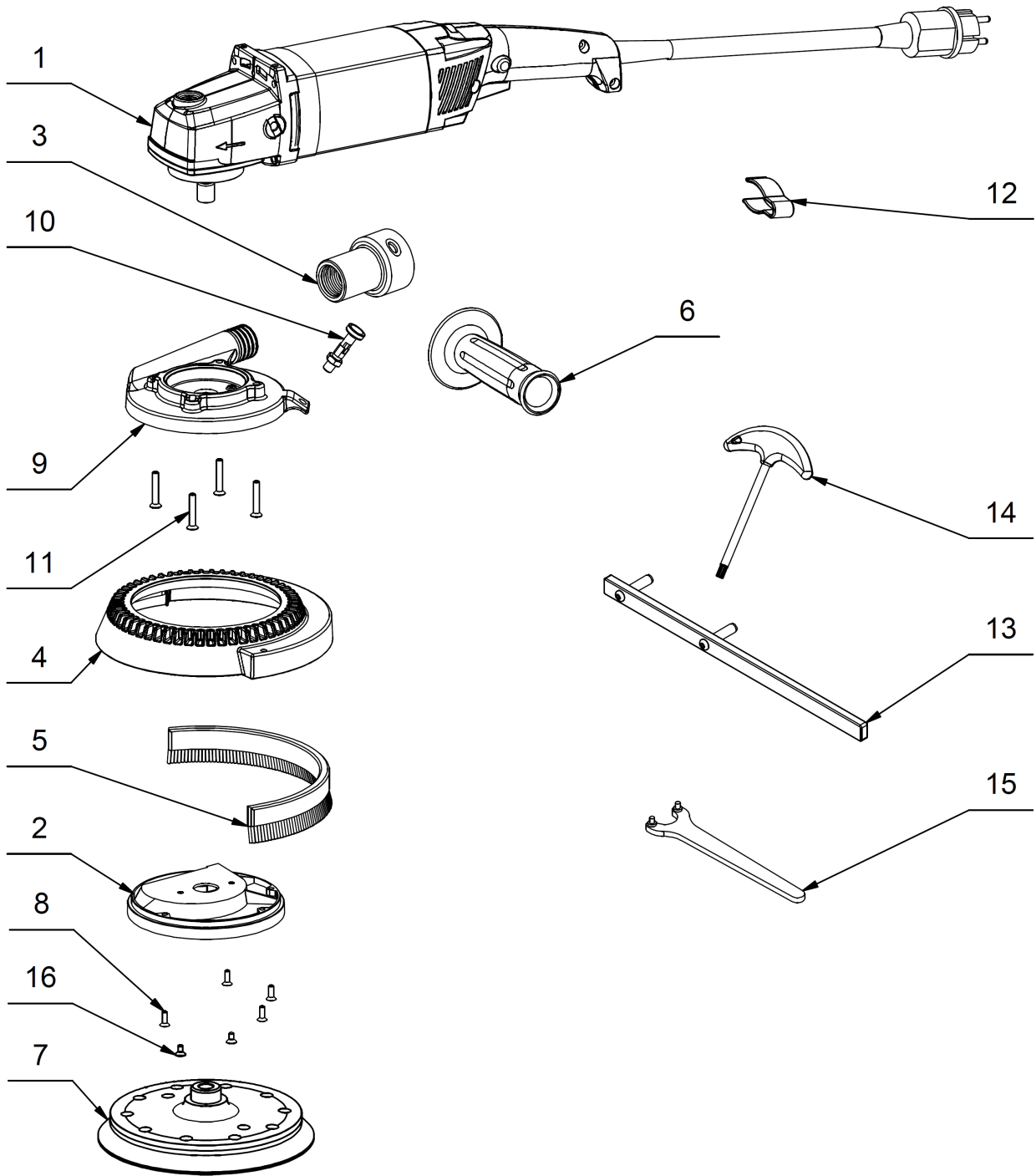
3 Gecko Flex (01395/2015-heute)



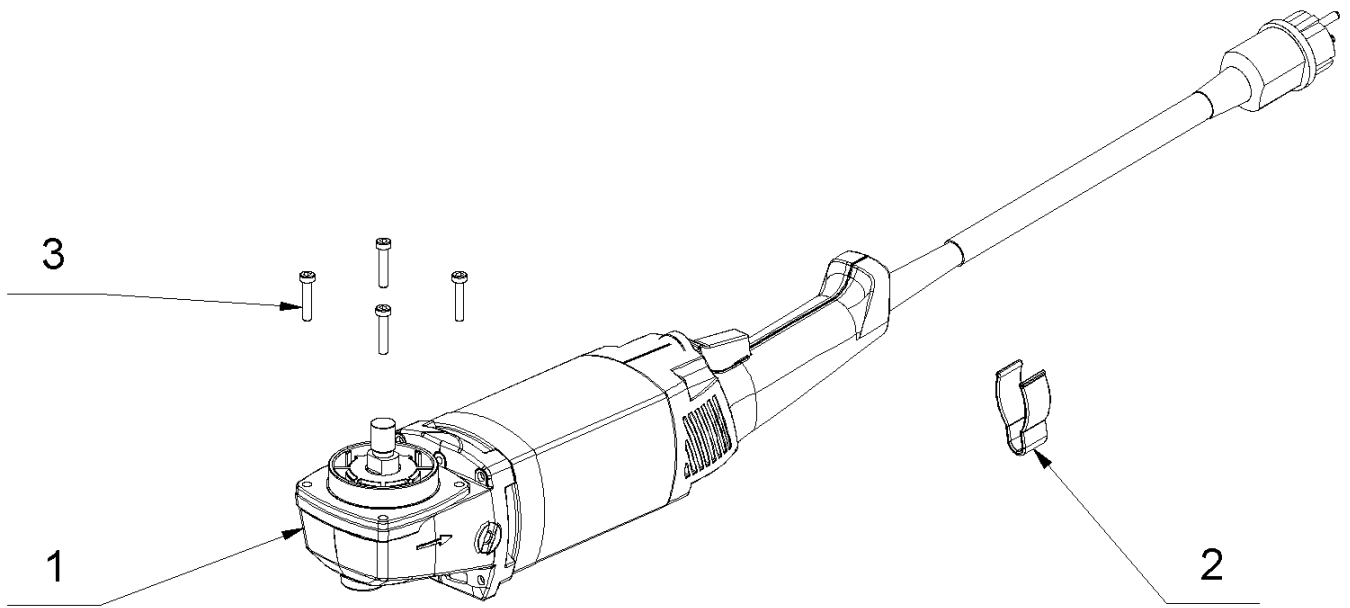
3 Gecko Flex (01395/2015-heute)

Item no.	Article no.	Description
1	01_01_060037	Machine
2	03_02_060037	Motor
3	01_03_060037	Circuit diagram
4	01_04_060037	Tool kit

1 Machine



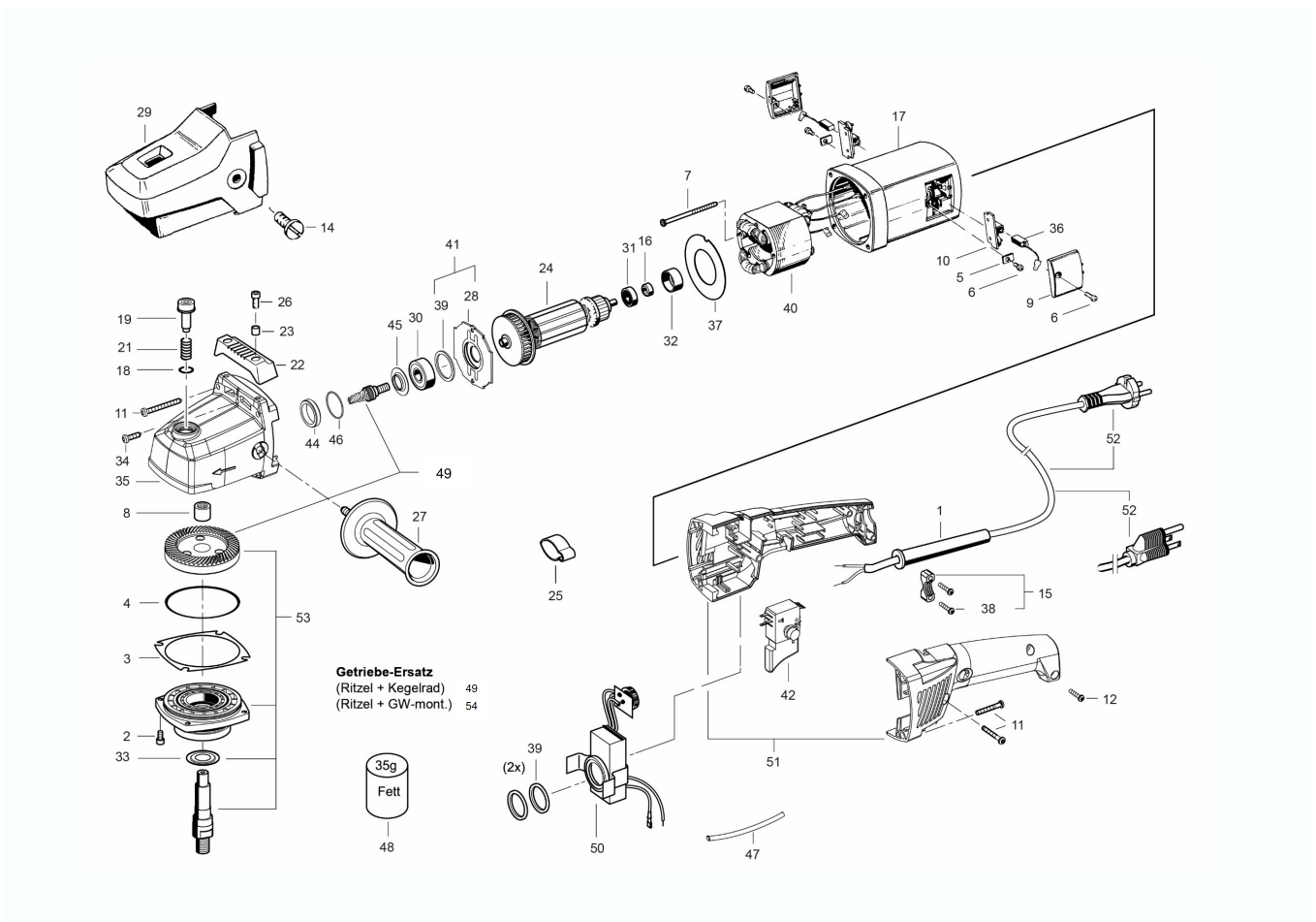
1 Machine



1 Machine

Item no.	Article no.	Description	Quantity
1	060972	Motor 230V Gecko Flex	1
2	061132	Flange cover Gecko Flex	1
3	061133	Adapter Gecko Flex	1
4	061130	Cover Gecko Flex	1
5	061128	Brush Gecko Flex	1
6	061166	Handle Gecko M8x12 Flex	1
7	061162	PLATE VELCRO DISC GECKO FLEX	1
8	061369	Countersunk screw M4x12 TORX	4
9	061126	Flange suction Gecko Flex	1
9	068330	flange silver Gecko Flex	1
10	061484	Locking pin Gecko Flex	1
11	061370	Countersunk screw M5x30 TORX	4
12	061621	Hose support	1
13	061662	BT twin hole spannerGeckoFlex sZNr.61659	1
14	061679	Torx wrench TX 40	1
15	018642	Twin hole spanner DIN3116-SW30-4mm	1
16	171206	Countersunk screw M4x8 Torx	2

2 Motor



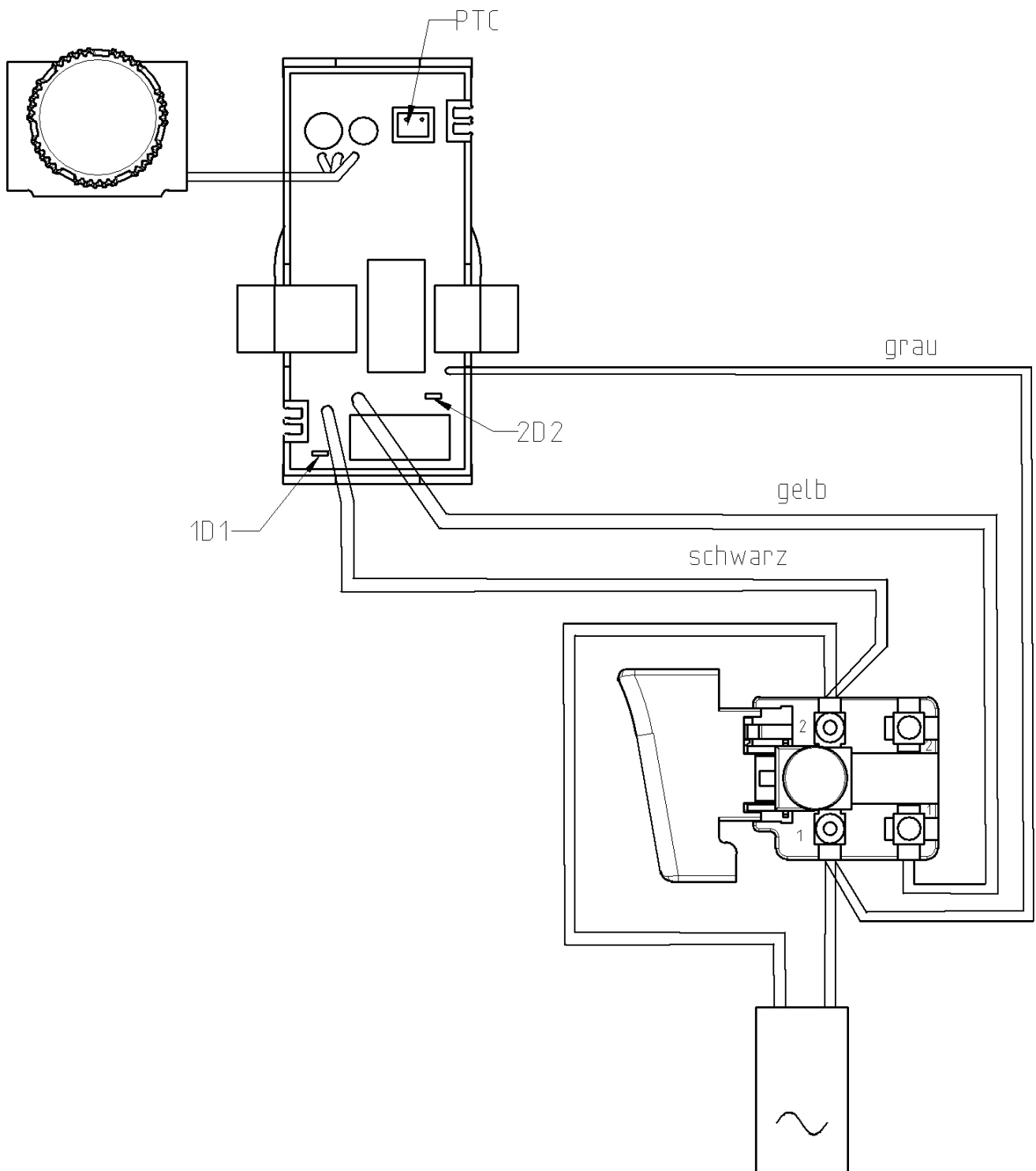
2 Motor

Item no.	Article no.	Description	Quantity
1	079907	Cable protection cover Gecko Flex	1
2	017610	Cylinder head screw M5x16 DIN 912	4
3	068201	Spacer 0,2mm Gecko Flex	1
4	065508	O-Ring 70x2 Gecko Flex	1
5	068197	Bracket Gecko Flex	2
6	018039	Screw KT4x12 Motor Duro 2.0	4
7	018049	Screw Flex Junio 03	2
8	066296	Sinter bearing Gecko Flex	1
9	075703	Carbon brush holder cap Gecko Flex	2
10	067379	Carbon brush holder Gecko Flex	2
11	075700	Screw KT 5x35 Gecko Flex	4
12	079908	Screw KT Gecko Flex	2
13	034238	Colorlux H276-S2 / 1 l	1
14	067698	Plastic screw M8x10 GeckoFlex	2
15	079905	Cable clamp Gecko Flex	1
16	079904	Magnetic ring cpl.10pin Gecko Flex	1
17	074874	Motor housing Gecko Flex	1
18	019459	O-Ring 12,42x1,78	1
19	079539	Locking button cpl. Gecko Flex	1
21	019458	Pressure spring 9x14,5x0,6	1
22	067765	Strip for shelf Gecko Flex	1
23	067767	Spacer sleeve Gecko Flex	2
24	079915	Armature 230V Gecko Flex start09/2015	1
25	061621	Hose support	3
26	067768	Cylinder head bolt M 4x 12 DIN 85	2
27	061166	Handle Gecko M8x12 Flex	1
28	074908	Bearing cover Gecko Flex	1
29	067697	Handle casing with Pin Gecko Flex	1
30	041147	Ball bearing Flex Junio 07	1
31	041146	Ball bearing 607-2RS Flex Junio 07	1
32	065263	Bearing ring Gecko Flex	1
33	079909	Washer Gecko Flex	1
34	018048	Screw KT Flex Junio 03	2
35	073631	Gear box housing Gecko Flex	1

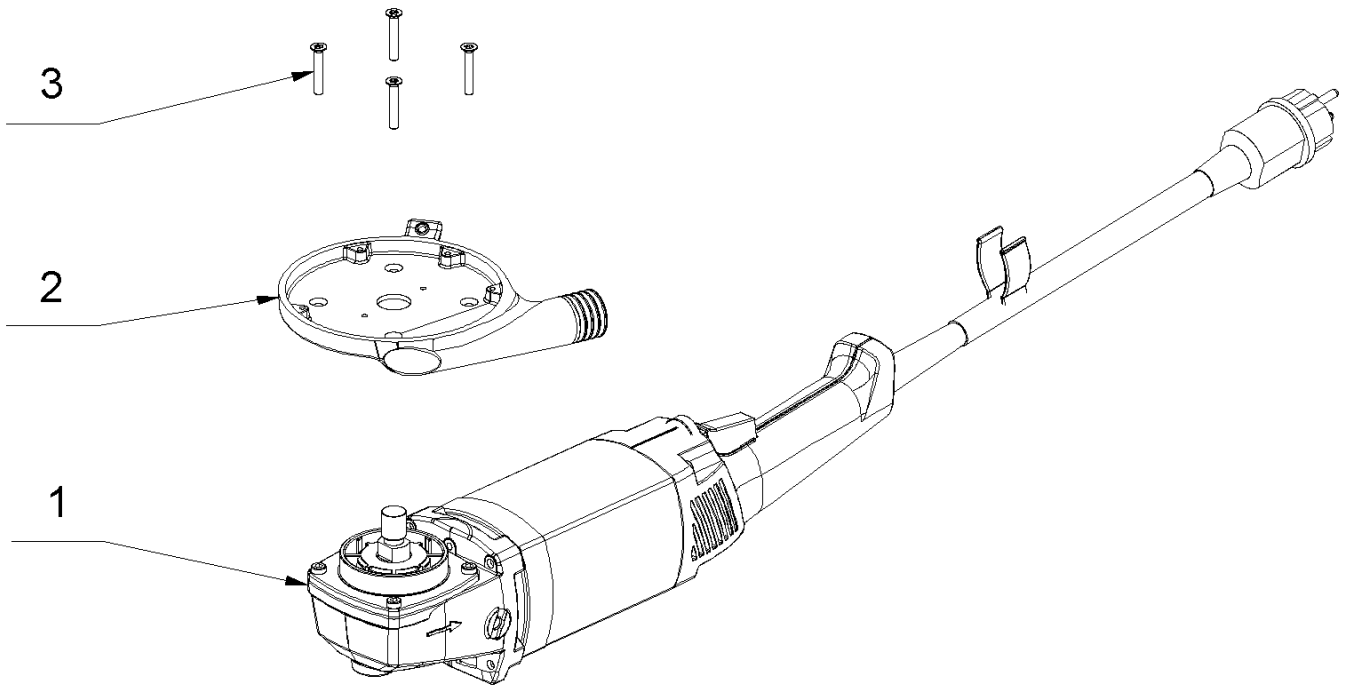
2 Motor

Item no.	Article no.	Description	Quantity
36	062993	carbon brush 230V Gecko Flex	1
37	074910	Air guide Gecko Flex	1
38	018050	Screw Flex Junio 03	2
39	067788	Sealing ring Gecko Flex	3
40	062991	Magnetic field coils 230V Gecko Flex	1
41	079177	Bearing cap with seal Gecko Flex	1
42	062996	Switch with lock Gecko Flex	1
44	069255	Ring aluminium Gecko Flex	1
45	069310	Tight cuff Gecko Flex	1
46	069254	Sealing ring Ø24x1 Gecko Flex	1
47	079911	Protection cover Gecko Flex	1
48	134434	Fat for Gecko Flex Motor SEE 163993	1
49	080408	Bevel gear + pinion Gecko Flex	1
50	062997	electronic 230V Gecko Flex	1
51	079912	Handle set Gecko Flex	1
52	067766	Cable 2x1x4m PUR black Schukost.GeckoFle	1
52	019170	Plug 3-pol.230V SK1 UK	1
53	080734	Gear shaft kpl+without pinion Gecko Flex	1
54	079916	Gear shaft complet+pinion Gecko Flex	1
o.Abb.	059185	Plug adapter 2-pole 230V CH T11	1
o.Abb.	019170	Plug 3-pol.230V SK1 UK	1
o.Abb.	018351	Ball bearing for pos. 53	1

3 Circuit diagram

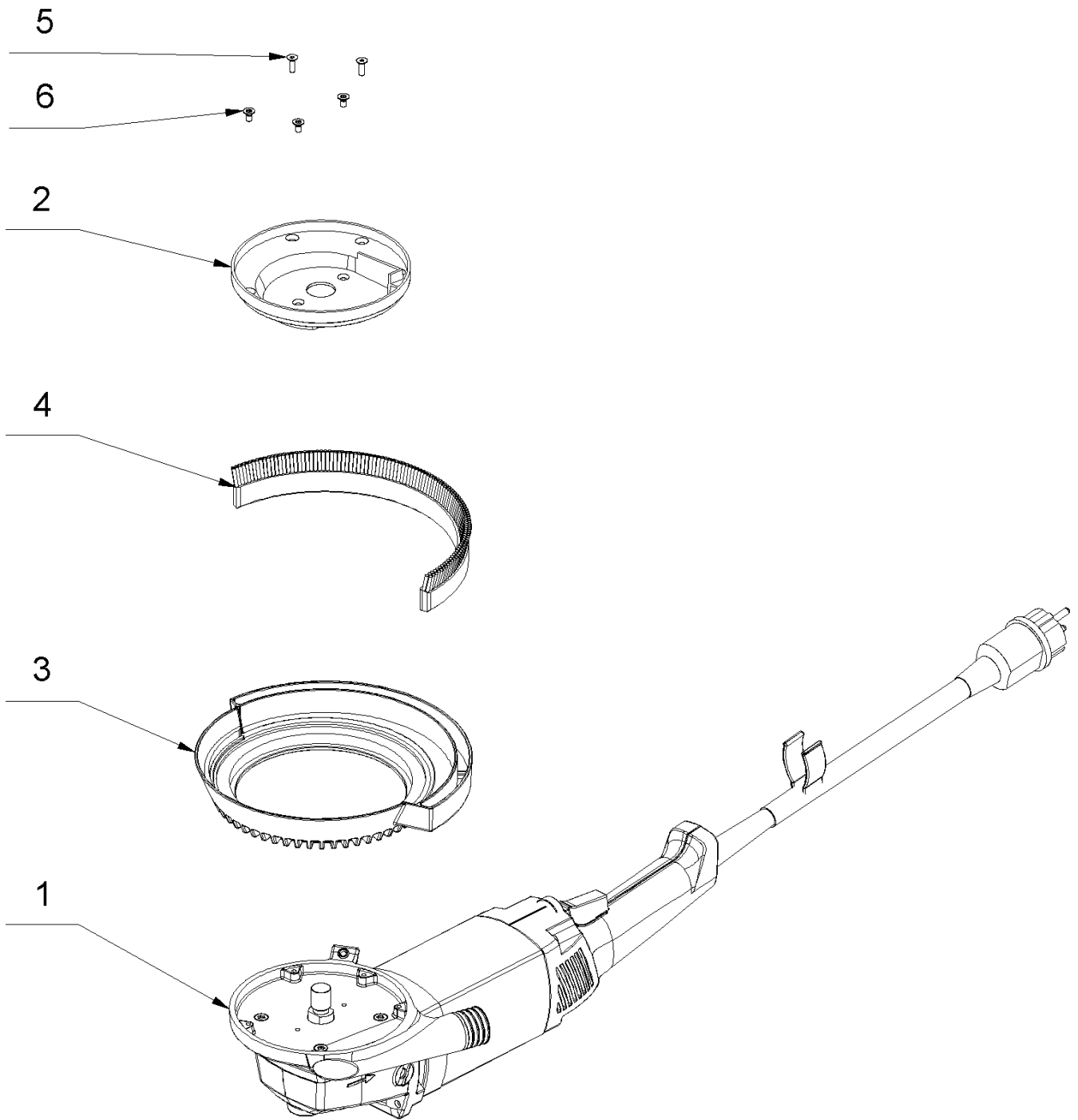


3 Circuit diagram



3 Circuit diagram

4 Tool kit



4 Tool kit

Item no.	Article no.	Description
1	078125	Equipment kit Gecko Flex

1 Equipment kit Gecko Flex

Article no.	Description	Quantity
061659	Twin hole spanner Gecko Flex	1
015315	Hearing protectors	1
016732	Fine dust mask Gecko/URS/Cobra	1
018642	Twin hole spanner DIN3116-SW30-4mm	1
061133	Adapter Gecko Flex	1
062005	ZIRCON VELCRO DISC 178 MM 10-HOLES K 80	3
062002	ZIRCON VELCRO DISC 178 MM 10-HOLES K 40	3
061679	Torx wrench TX 40	1
061128	Brush Gecko Flex	1
061162	PLATE VELCRO DISC GECKO FLEX	1
061491	Clamping washer Gecko Flex	1
061166	Handle Gecko M8x12 Flex	1