



**spare parts list**  
**Pallmann Gecko Star 230V Ø150 EU**



## Table of contents

---

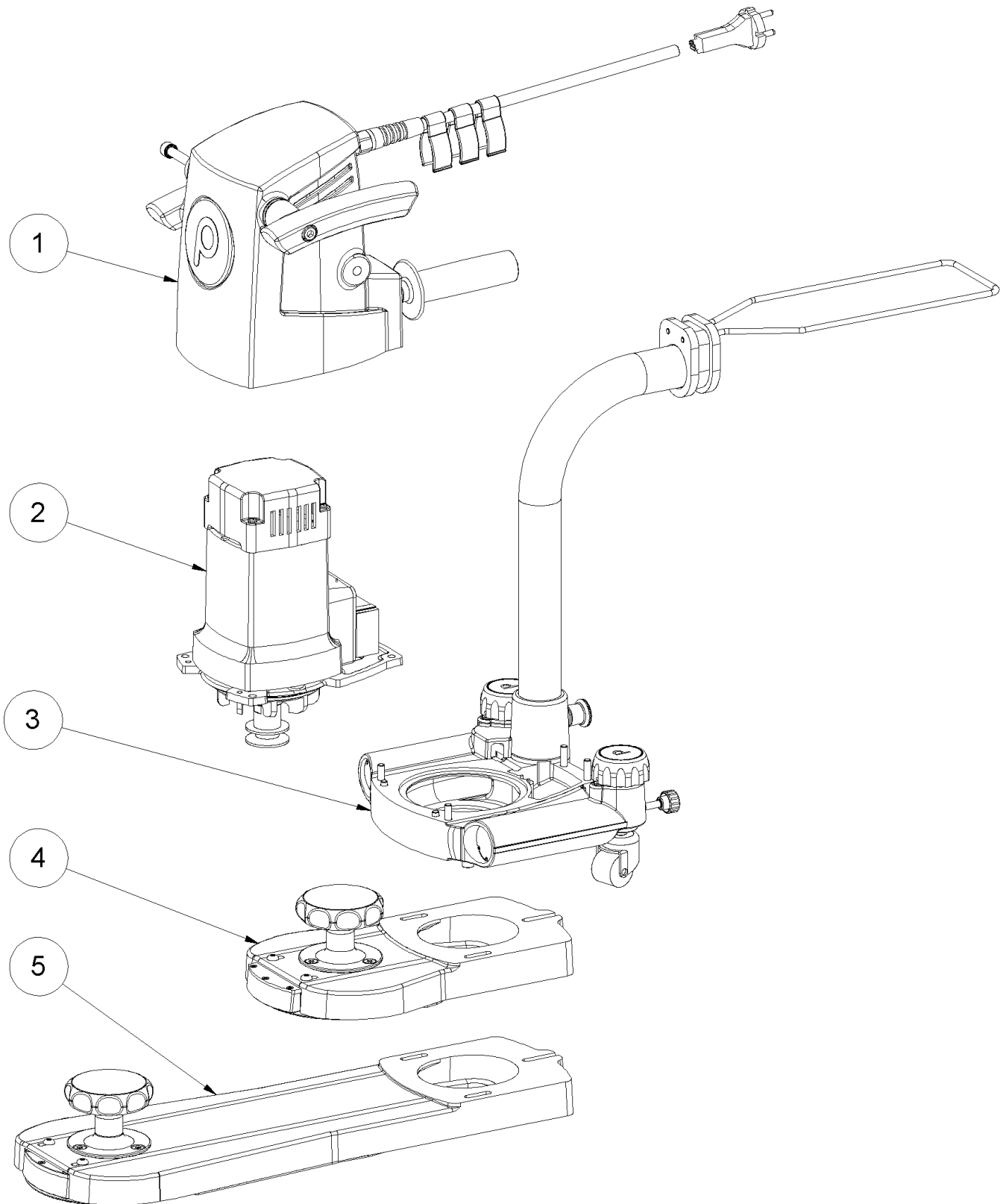
1	Pallmann Gecko Star 230V Ø150 (0001/2012-0054/2012)	4
	1 Cover Motor	6
	2 Motor	10
	1 motor cpl.230V/50-60Hz Gecko 2016	12
	3 Chassis	14
	4 Short sanding arm Ø150 mm	17
	5 Long sanding arm Ø150 mm	19
	6 Circuit diagram	21
	7 Tool kit	23
	1 tool set Gecko Star/Pure	24
	8 Accessories	25
2	Pallmann Gecko Star 230V Ø150 (0055/2013-0228/2014)	26
	1 Cover Motor	28
	2 Motor	32
	1 motor cpl.230V/50-60Hz Gecko 2016	34
	3 Chassis	36
	4 Short sanding arm Ø150 mm	38
	5 Long sanding arm Ø150 mm	40
	6 Circuit diagram	42
	7 Tool kit	44
	1 tool set Gecko Star/Pure	45
	8 Accessories	46
3	Pallmann Gecko Star 230V Ø150 (0229/2014-0320/2014)	47
	1 Cover Motor	49
	2 Motor	53
	1 motor cpl.230V/50-60Hz Gecko 2016	55
	3 Chassis	57
	4 Short sanding arm Ø150 mm	60
	5 Long sanding arm Ø150 mm	62
	6 Circuit diagram	64
	7 Tool kit	66
	1 tool set Gecko Star/Pure	67
	8 Accessories	68
4	Pallmann Gecko Star 230V Ø150 (0321/2014-0402/2016)	69
	1 Cover Motor	71
	2 Motor	74
	1 motor cpl.230V/50-60Hz Gecko 2016	76
	3 Chassis	78
	4 Short sanding arm Ø150 mm	81
	5 Long sanding arm Ø150 mm	83
	6 Circuit diagram	85
	7 Tool kit	87
	1 tool set Gecko Star/Pure	88
	8 Accessories	89
5	Pallmann Gecko Star 230V Ø150 (0403/2016-0439/2016)	90
	1 Cover Motor	92
	2 Motor	95
	1 motor cpl.230V/50-60Hz Gecko 2016	97
	3 Chassis	99
	4 Short sanding arm Ø150 mm	102
	5 Long sanding arm Ø150 mm	104
	6 Circuit diagram	106
	7 Tool kit	108
	1 tool set Gecko Star/Pure	109
	8 Accessories	110
1	Pallmann Gecko Star 2.0 230V Ø150 (0440/2017- 0682/2020)	111
	1 Cover Motor	113
	2 Motor	115

# Table of contents

---

1 motor cpl.230V/50-60Hz Gecko 2016	117
o.Abb. Conversion kit switch box Gecko Star 2.0	119
3 Chassis	121
4 Short sanding arm Ø150 mm	124
5 Long sanding arm Ø150 mm	126
6 Circuit diagram	128
7 Tool kit	130
2 Pallmann Gecko Star 2.0 230V Ø150 (0683/2020 - 0794/2022)	131
1 Cover Motor	133
2 Motor	135
1 motor cpl.230V/50-60Hz Gecko 2016	137
o.Abb. Conversion kit switch box Gecko Star 2.0	139
3 Chassis	141
4 Short sanding arm Ø150 mm	144
5 Long sanding arm Ø150 mm	146
6 Circuit diagram	148
7 Tool kit	150
3 Pallmann Gecko Star 2.0 230V Ø150 (0795/2022 - heute)	151
1 Cover Motor	153
2 Motor	155
1 motor cpl.230V/50-60Hz Gecko 2016	157
3 Chassis	159
4 Short sanding arm Ø150 mm	162
5 Long sanding arm Ø150 mm	164
6 Circuit diagram	166
7 Tool kit	168

# 1 Pallmann Gecko Star 230V Ø150 (0001/2012-0054/2012)



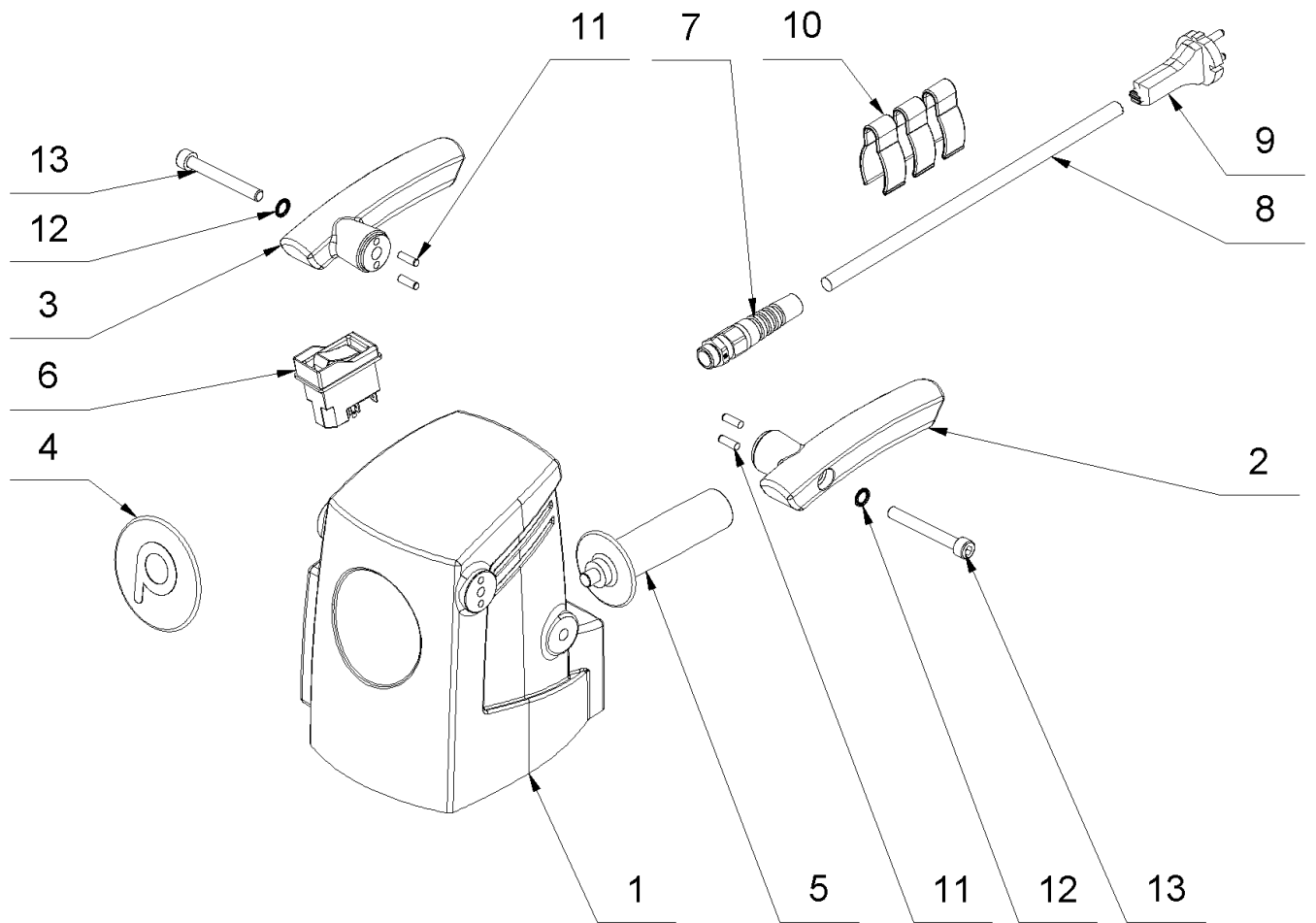
## **1 Pallmann Gecko Star 230V Ø150 (0001/2012-0054/2012)**

---

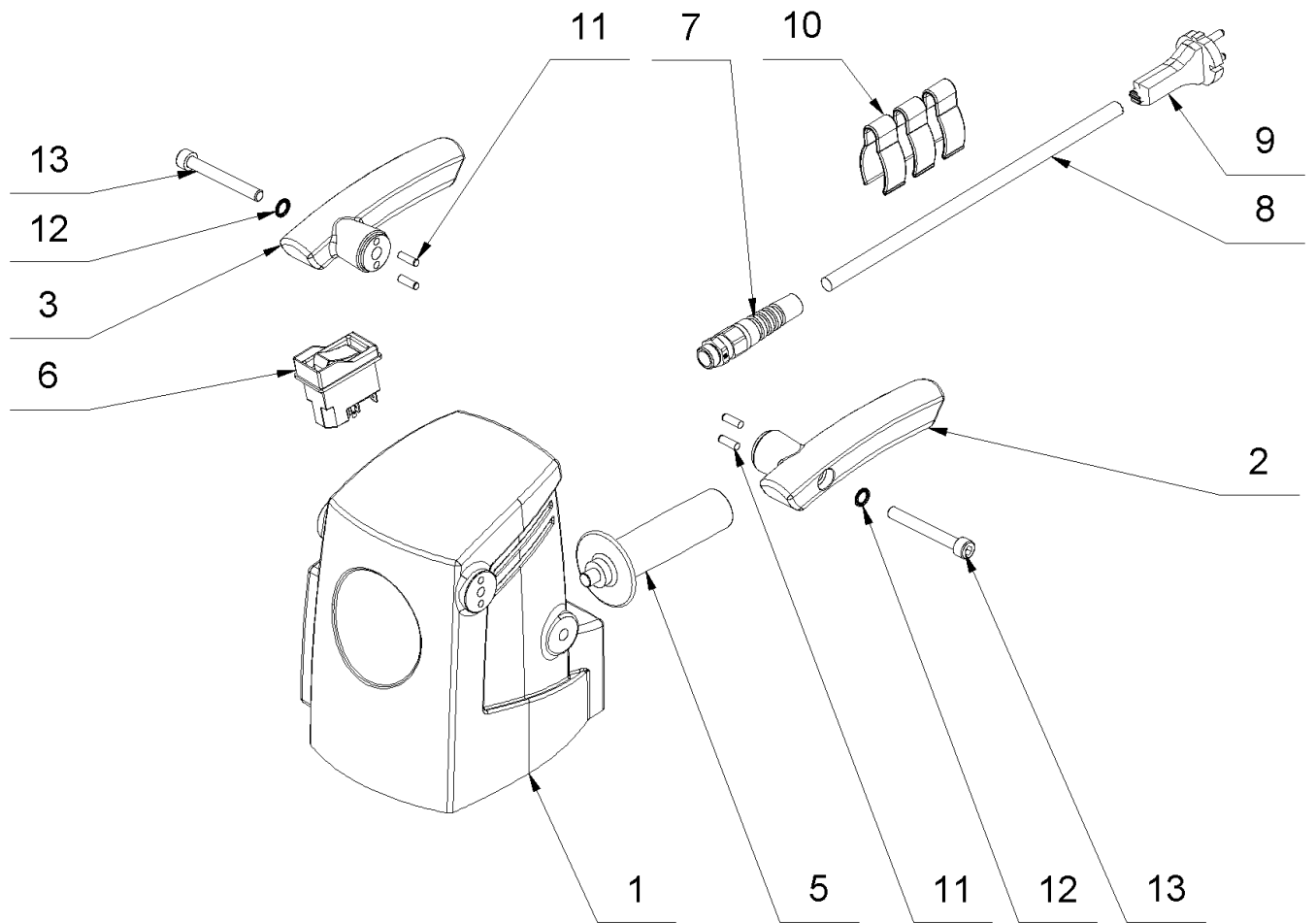
<b>Item no.</b>	<b>Article no.</b>	<b>Description</b>
1	01_01_065818	Cover Motor
2	01_02_065818	Motor
3	01_03_065818	Chassis
4	01_06_065829	Short sanding arm Ø150 mm
5	01_07_065828	Long sanding arm Ø150 mm
6	01_08_065928	Circuit diagram
7	01_09_067311	Tool kit
8	01_10_065818	Accessories

---

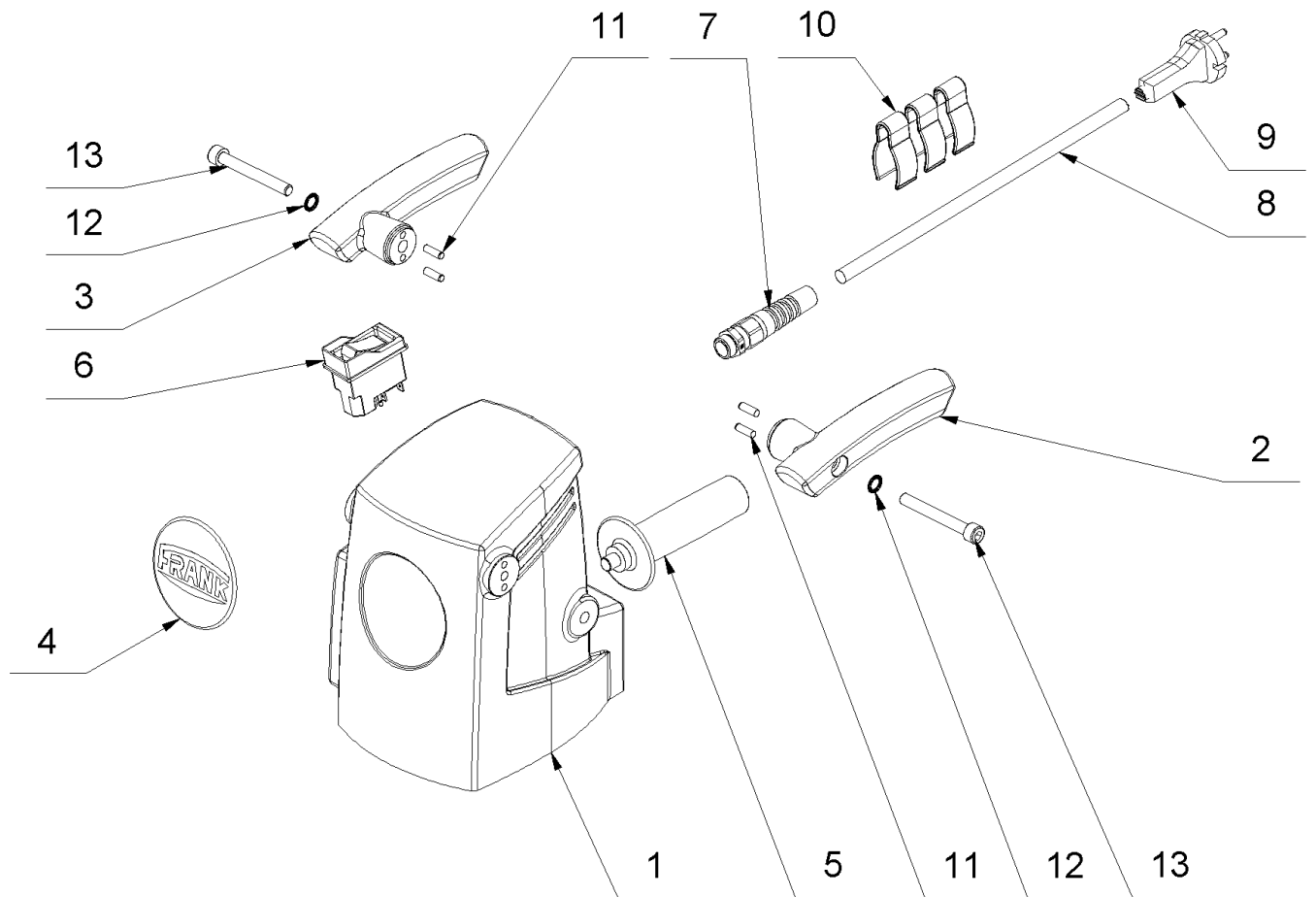
# 1 Cover Motor



# 1 Cover Motor



# 1 Cover Motor

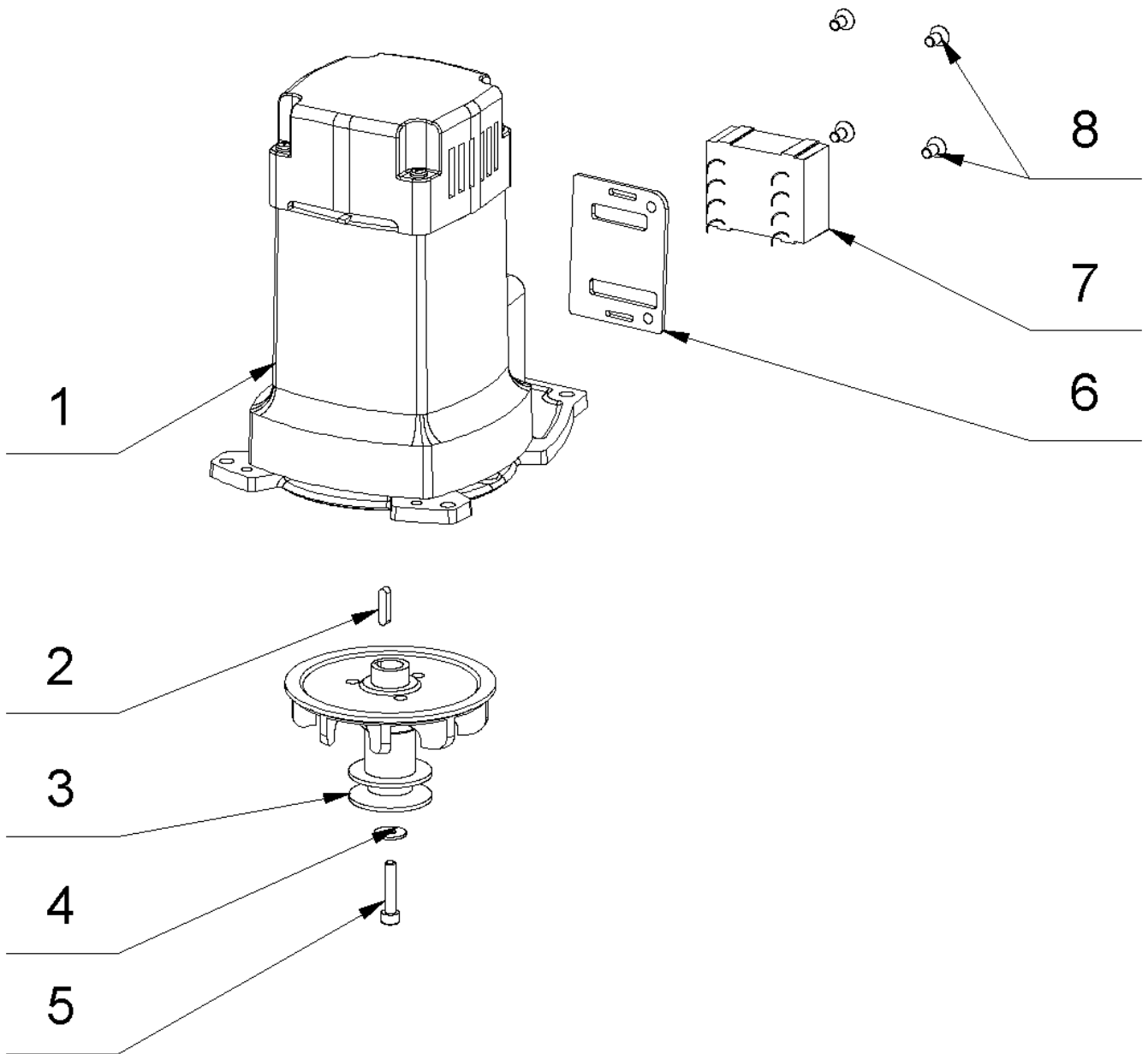




## 1 Cover Motor

Item no.	Article no.	Description	Quantity
1	056569	cover Gecko Star	1
2	056575	handle left Gecko Star/Pure	1
3	081090	Handle right w.grip cover GeckoStar/Pure	1
4	129934	Label Pallmann 3D Ø 80mm	1
5	069284	Handle M10x10	1
6	014695	On/Off switch 230V/50Hz	1
7	038585	Strain relief w.bending prot.M16x1,5	1
8	067180	el.cord 3G1,5x5,0m orange o.Stecker	1
8	066665	el.cord 3G1,5x5,0m orange m.Stecker	1
9	019165	Plug 230V 3-polig Switzerland	1
9	019170	Plug 3-pol.230V SK1 UK	1
10	061621	Hose support	3
11	017723	Cylindrical pin 5x 16 DIN 6325	4
12	014860	Schnorr Washer M8	2
13	018251	Cylinder head screw M8x65 DIN 912	2

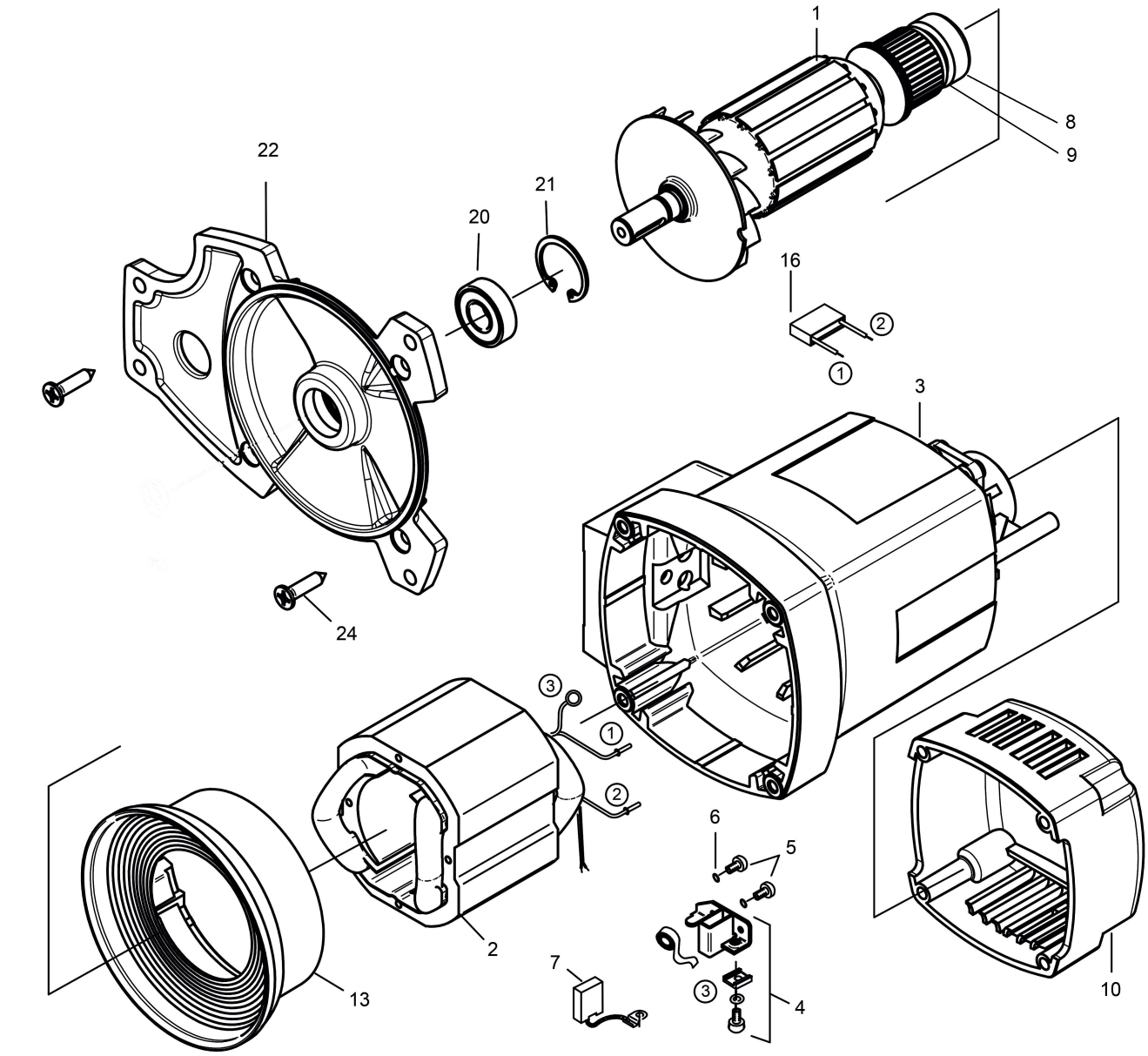
## 2 Motor



## 2 Motor

Item no.	Article no.	Description	Quantity
1	080464	motor cpl.230V/50-60Hz Gecko 2016	1
2	014900	Parallel key 4x4x18 DIN 6885	1
3	081512	Dust fan complete GeckoStar/Pure	1
4	068640	washer Gecko Star/Pure	1
5	014750	Cylinder head bolt M5x25 DIN 912 microv	1
6	066865	holding plate f.connectiGeckoStar/Pure	1
7	066605	power supply 230V Gecko Star/Pure	1
8	014754	Countersunk screw M5x10 DIN 7991 10.9	4

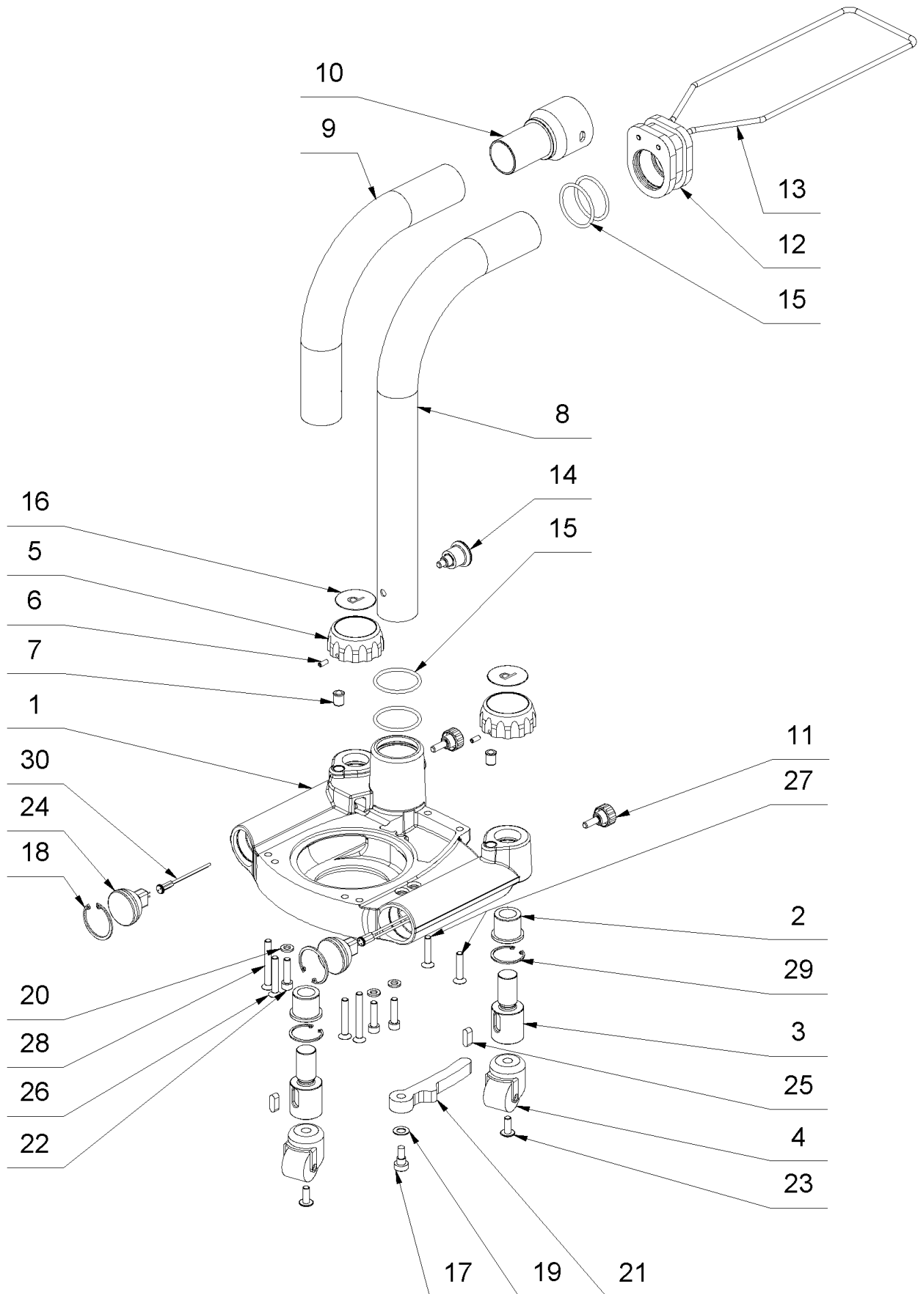
# 1 motor cpl.230V/50-60Hz Gecko 2016



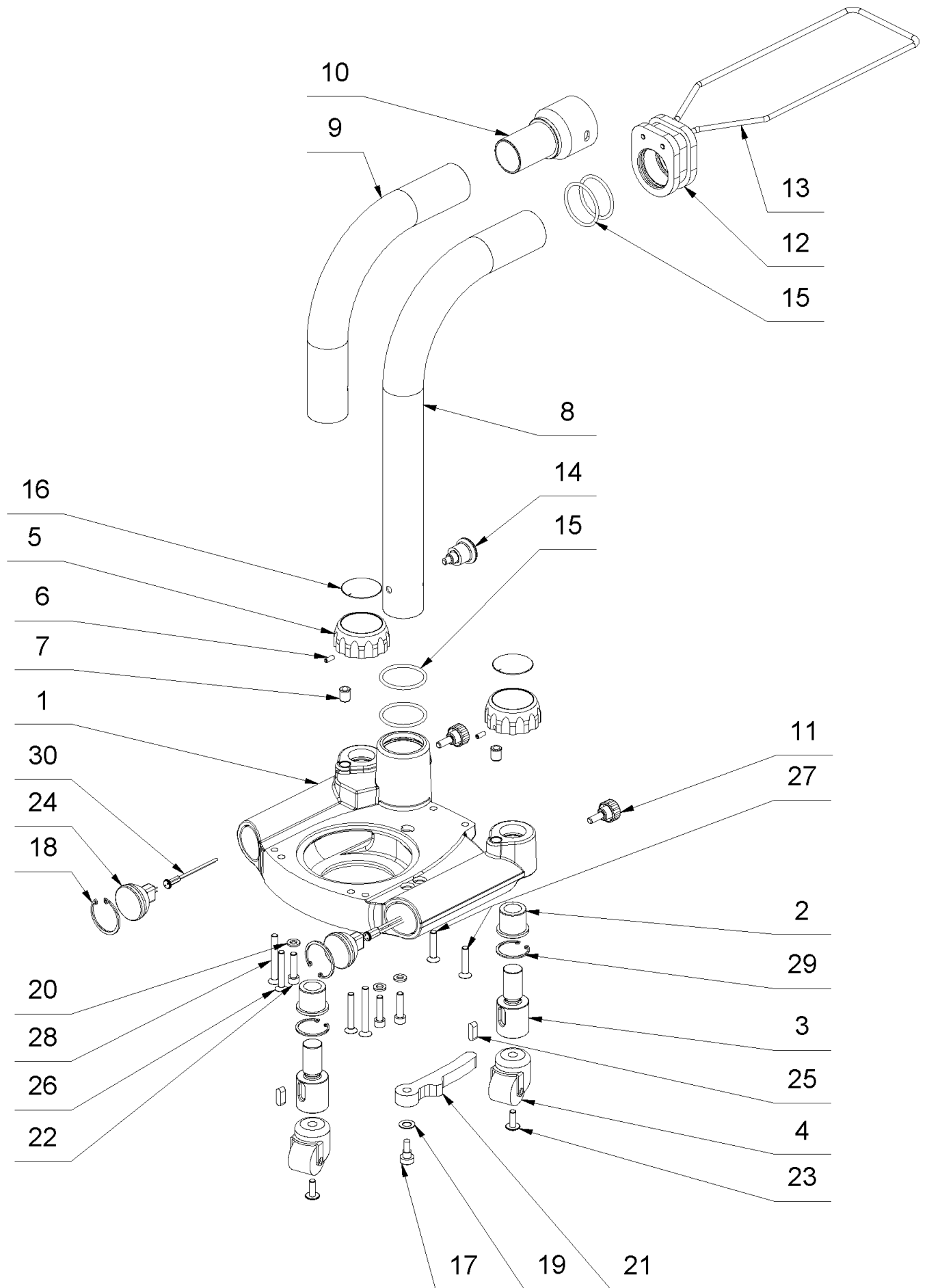
## 1 motor cpl.230V/50-60Hz Gecko 2016

Item no.	Article no.	Description	Quantity
1	081342	Edge runner cpl.230V Gecko Star/Pure2016	1
2	081343	coil ring cpl.230V Gecko Star/Pure 2016	1
3	067195	Motor housing Gecko Star/Pure	1
4	067196	Carbon brush holder Gecko Star/Pure	2
5	067197	Screw ZM 4x12 GeckoStar	4
6	066724	Spring washer B M4 DIN 137	4
7	067199	Carbon brushes 2 pieces Gecko Star/Pure	1
8	077013	Bearing sleeve Gecko Star/Pure	1
9	084411	Ball bearing 6000 2Z C3	1
10	067204	Cap f.Motor housing Gecko Star/Pure	1
13	067214	Air guide ring cpl. Gecko Star/Pure	1
16	018771	Anti-interference capacitor	1
20	083870	Ball bearing 6001 2RSL/C3HT	1
21	017691	Circlip washer I28 DIN 472	1
22	056568	Bearing plate Gecko Star /Pure	1
24	067220	Counter sunk screw 5x25 Gecko Star/Pure	4

### 3 Chassis



### 3 Chassis

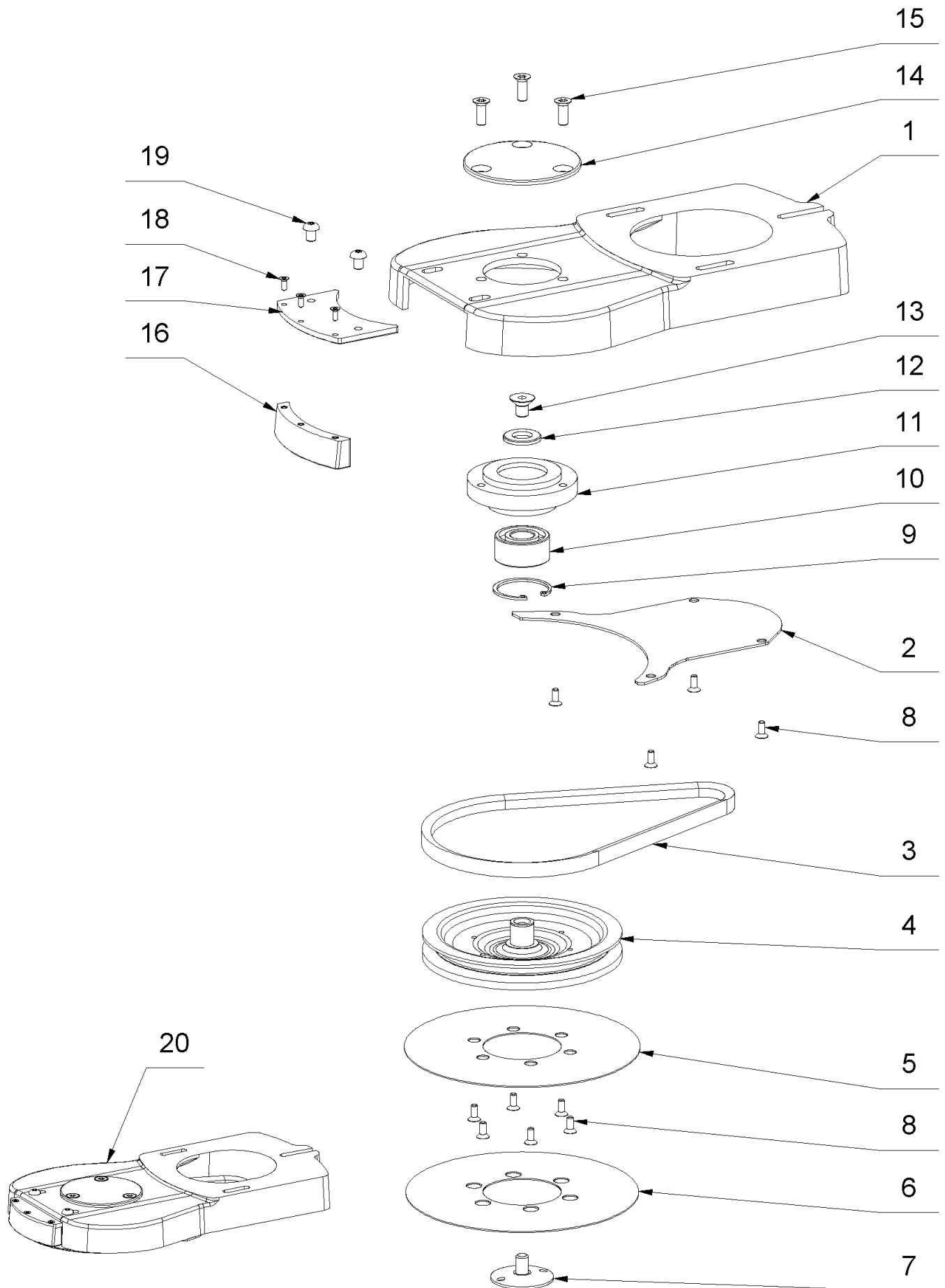


### 3 Chassis

Item no.	Article no.	Description	Quantity
1	056565	Chassis Gecko Star/Pure	1
2	056594	Steep thread nut Gecko Star/Pure	2
3	056595	Steep thread spindle Gecko Star/Pure	2
4	040268	Castor URS New	2
5	056593	Setting Wheel Gecko Star/Pure	2
6	066664	Headless pin M4x10 /DIN 913	2
7	017781	Ball catch	2
8	066310	dust pipe short long Gecko Star/Pure	1
9	066309	Dust pipe short Gecko Star/Pure	1
10	066218	Sleeve dust pipe Gecko/Dust	1
11	018760	Knurled screw M6x16	2
12	056592	Flange for Dust Bag Gecko Star/Pure	1
13	066292	Shackle for Dust Bag Gecko Star/Pure	1
14	052440	Arresting bolt	1
15	070634	O-Ring 38,5 x 3,00 - NBR 70	4
16	066604	Scale thumbwheel Gecko Star/Pure	2
17	066723	Screw M 6x 6 ISO 7379	1
18	018091	Circlip I35 DIN472	2
19	017770	spring washer B M8 DIN 137 vzkt	1
20	014827	Washer M6 DIN 125 A	3
21	066721	Belt holding fixture Gecko Star old	1
22	066729	Cylinder head screw M 6x 25 ISO 14580	3
23	017552	Lens head screw M 6x16 ISO 7380	2
24	066649	Bulb LED D35 - 12V Gecko Star	2
25	017731	Parallel key 6x6x18 DIN 6885	2
26	056376	Countersunk screw M6x40 DIN 7991 10.9	2
27	017699	Countersunk screw M6x30 DIN 7991 10.9	2
28	066662	Countersunk screw M 6x55 DIN 7991 10.9	2
29	053318	Circlip I30 DIN 472	2
30	066650	socket LED Gecko Star/Pure	2



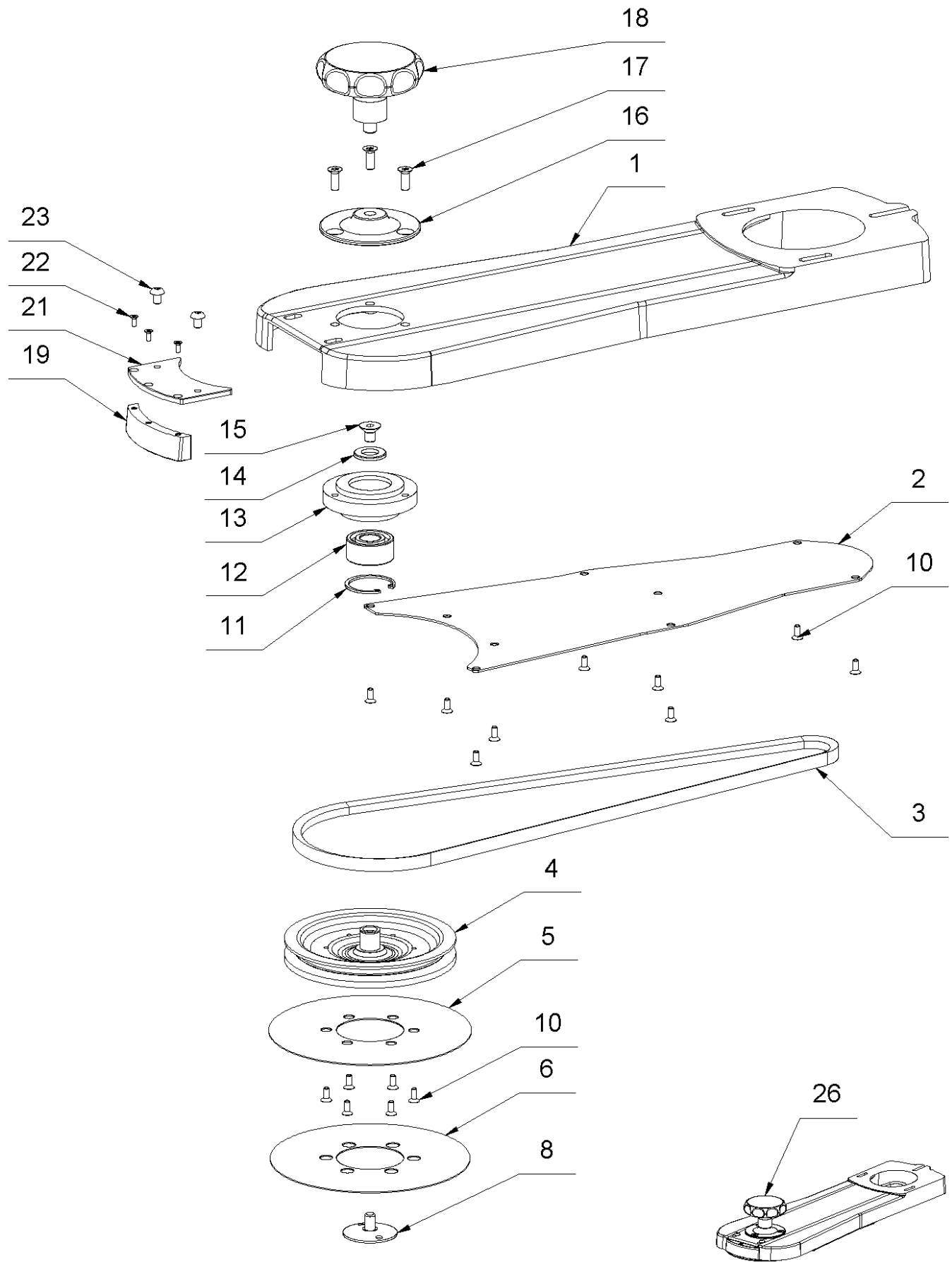
## 4 Short sanding arm Ø150 mm



## 4 Short sanding arm Ø150 mm

Item no.	Article no.	Description	Quantity
1	056572	short sanding arm casing150GeckoStarPure	1
2	066632	cover short Ø150mm Gecko Star/Pure	1
3	066720	v-Belt 10 x 500 mm	1
4	056596	belt pulley d150 Gecko Star/Pure	1
5	016223	150024000Steel disc Gecko	1
6	016222	150012000 Attachment disk d150 Gecko	1
7	061491	Clamping washer Gecko Flex	1
8	066727	Countersunk screw M 4x10 ISO 14581	10
9	018091	Circlip I35 DIN472	1
10	016707	Ball bearing Gecko Star/Pure	1
11	056598	Bearing flange Gecko Star/Pure	1
12	017741	Washer M14 DIN 125	1
13	038423	Counter sunk screw M8x12 DIN 7991 10.9	1
14	056599	bearing cover Gecko Star/Pure	1
15	066726	Countersunk screw M 6x16 ISO 14581	3
16	066639	Slide bar Gecko Star/Pure	1
17	066640	Adjusting plate Gecko Star/Pure	1
18	066725	Countersunk screw M 3x 8 ISO 14581	3
19	066728	Fillister head screw M6x 8 ISO7380	2
20	065829	ATTACHMENT CPL.SHORT GECKOSTAR/PURE D150	1

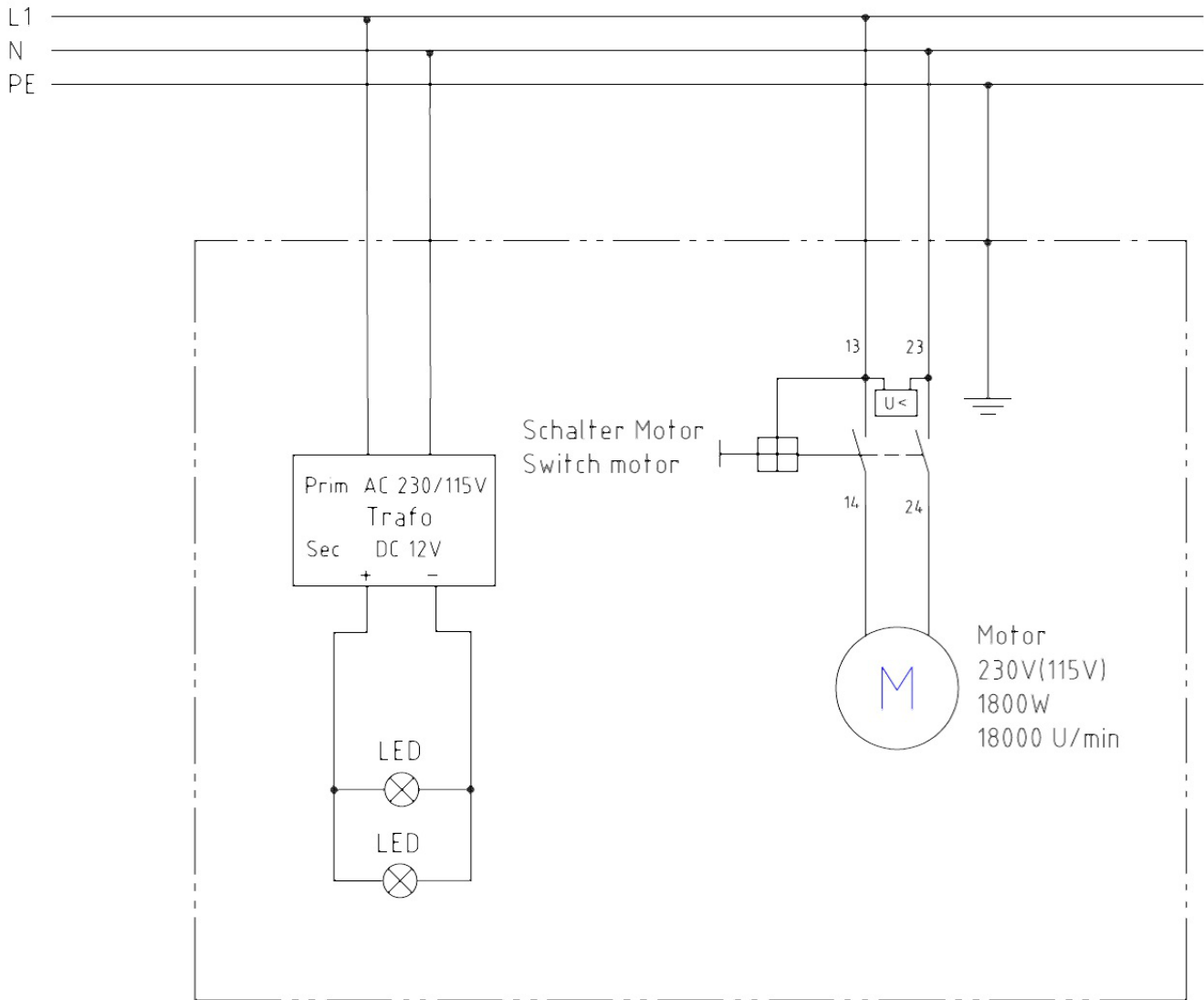
# 5 Long sanding arm Ø150 mm



## 5 Long sanding arm Ø150 mm

Item no.	Article no.	Description	Quantity
1	056570	Long sanding arm casing150 GeckoStarPure	1
2	066633	cover long Ø150mm Gecko Star/Pure	1
3	066717	v-Belt X10 x 1000 mm	1
4	056596	belt pulley d150 Gecko Star/Pure	1
5	016223	150024000Steel disc Gecko	1
6	016222	150012000 Attachment disk d150 Gecko	1
8	061491	Clamping washer Gecko Flex	1
10	066727	Countersunk screw M 4x10 ISO 14581	15
11	018091	Circlip I35 DIN472	1
12	016707	Ball bearing Gecko Star/Pure	1
13	056598	Bearing flange Gecko Star/Pure	1
14	017741	Washer M14 DIN 125	1
15	038423	Counter sunk screw M8x12 DIN 7991 10.9	1
16	066631	Bearing cover Gecko Star/Pure	1
17	066726	Countersunk screw M 6x16 ISO 14581	3
18	066641	Handle cantilever arm Gecko Star/Pure	1
19	066639	Slide bar Gecko Star/Pure	1
21	066640	Adjusting plate Gecko Star/Pure	1
22	066725	Countersunk screw M 3x 8 ISO 14581	3
23	066728	Fillister head screw M6x 8 ISO7380	2
26	065828	ATTACHMENT CPL.LONG GECKO STAR/PURE D150	1

## 6 Circuit diagram



## 6 Circuit diagram

---

## 7 Tool kit

---

Item no.	Article no.	Description	Quantity
1	067311	tool set Gecko Star/Pure	1
2	015315	Hearing protectors	1
3	016732	Fine dust mask Gecko/URS/Cobra	1
4	066603	DUST BAG GECKO STAR/PURE PALLMANN	1

## 1 tool set Gecko Star/Pure

---

Item no.	Article no.	Description	Quantity
1	067309	Screw driver 1/4"	1
2	067310	Bit Box equipped SEE 169425	1
3	016725	Tool pocket empty	1
4	018642	Twin hole spanner DIN3116-SW30-4mm	1
5	083824	Hexagon socket wrench 13 mm	1

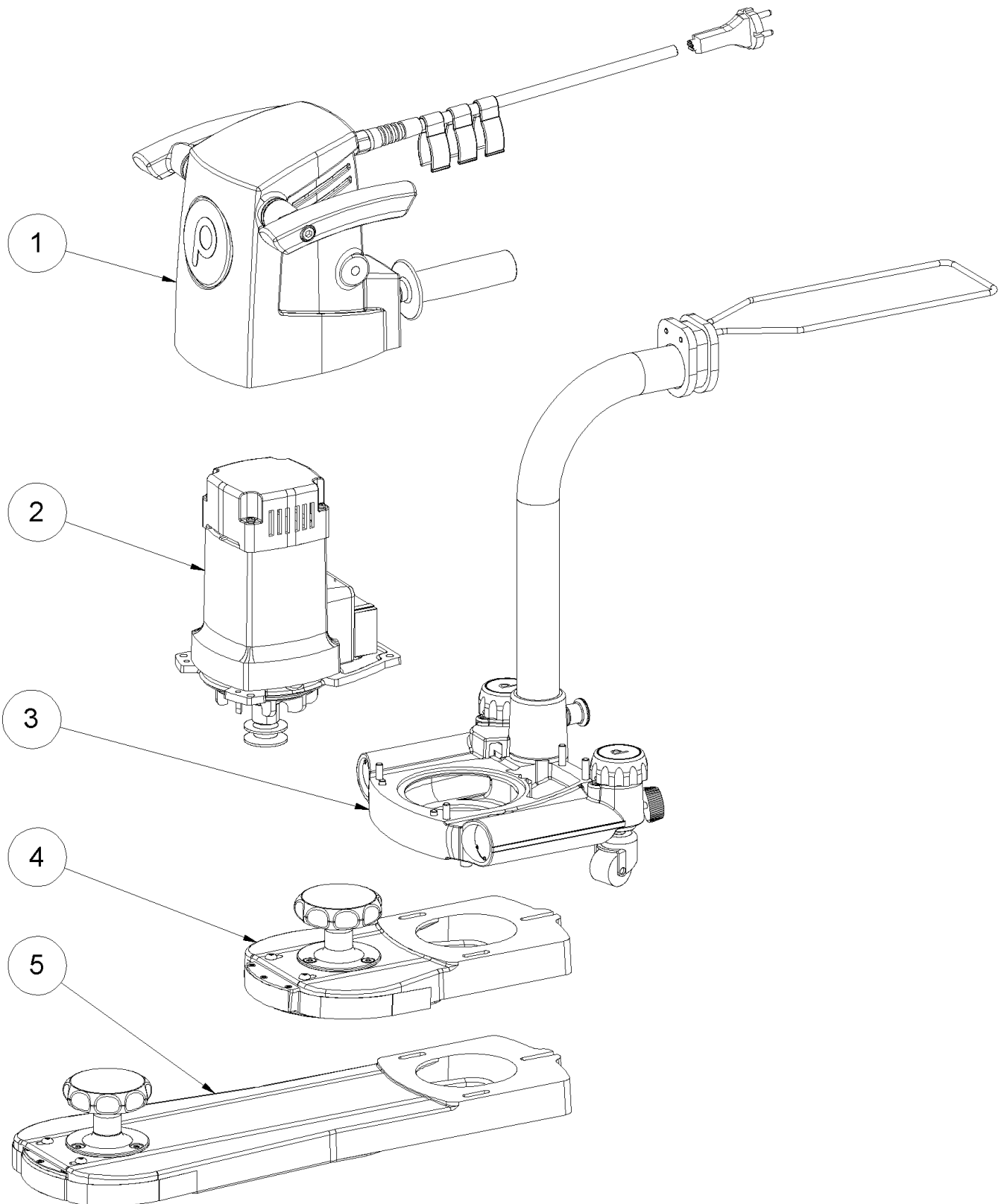


## 8 Accessories

---

Item no.	Article no.	Description	Quantity
5	016222	150012000 Attachment disk d150 Gecko	1
6	073274	VELCRO DISC BETWEEN D 150 MM	1
7	066720	v-Belt 10 x 500 mm	1
8	066717	v-Belt X10 x 1000 mm	1

## 2 Pallmann Gecko Star 230V Ø150 (0055/2013-0228/2014)



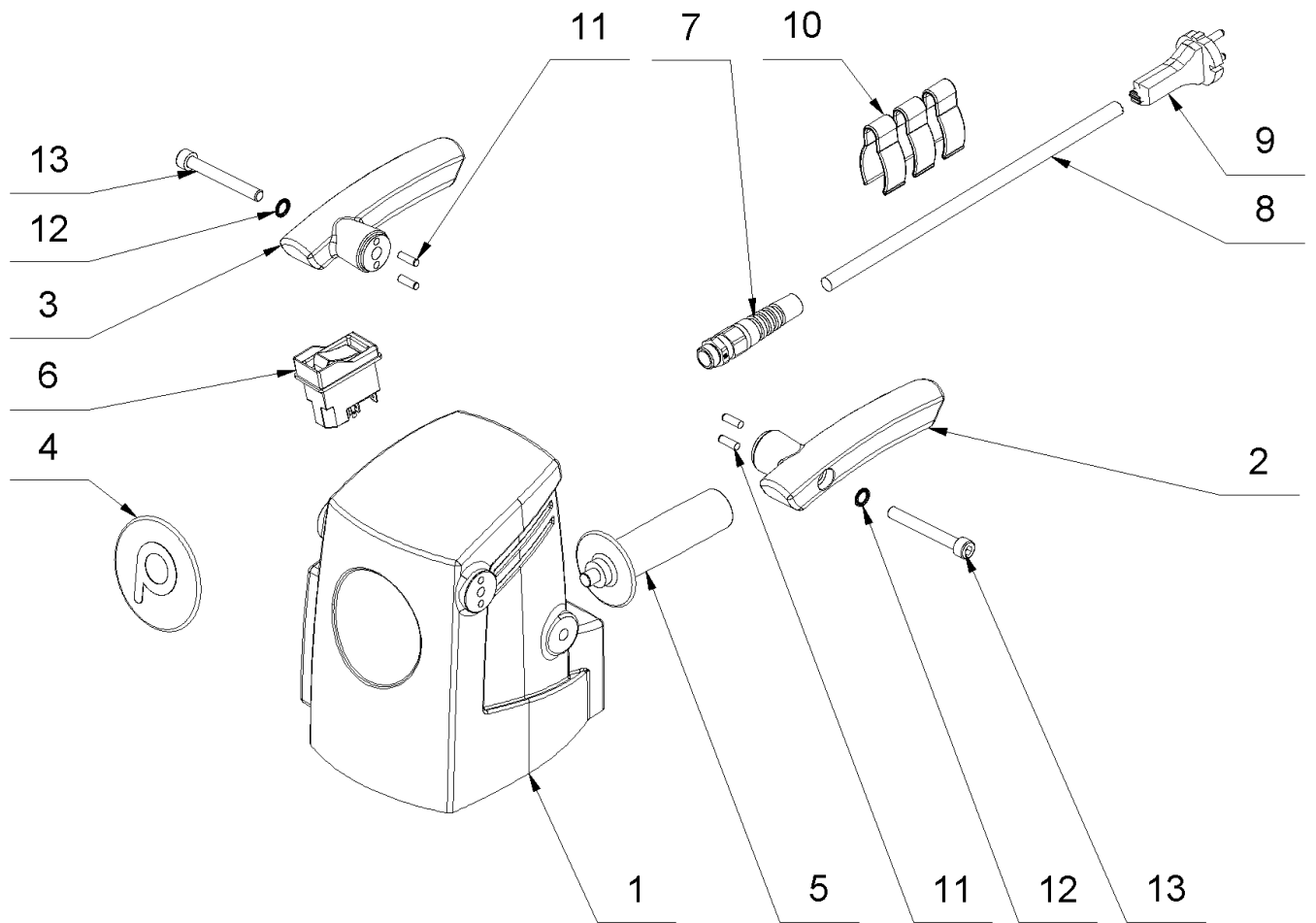
## **2 Pallmann Gecko Star 230V Ø150 (0055/2013-0228/2014)**

---

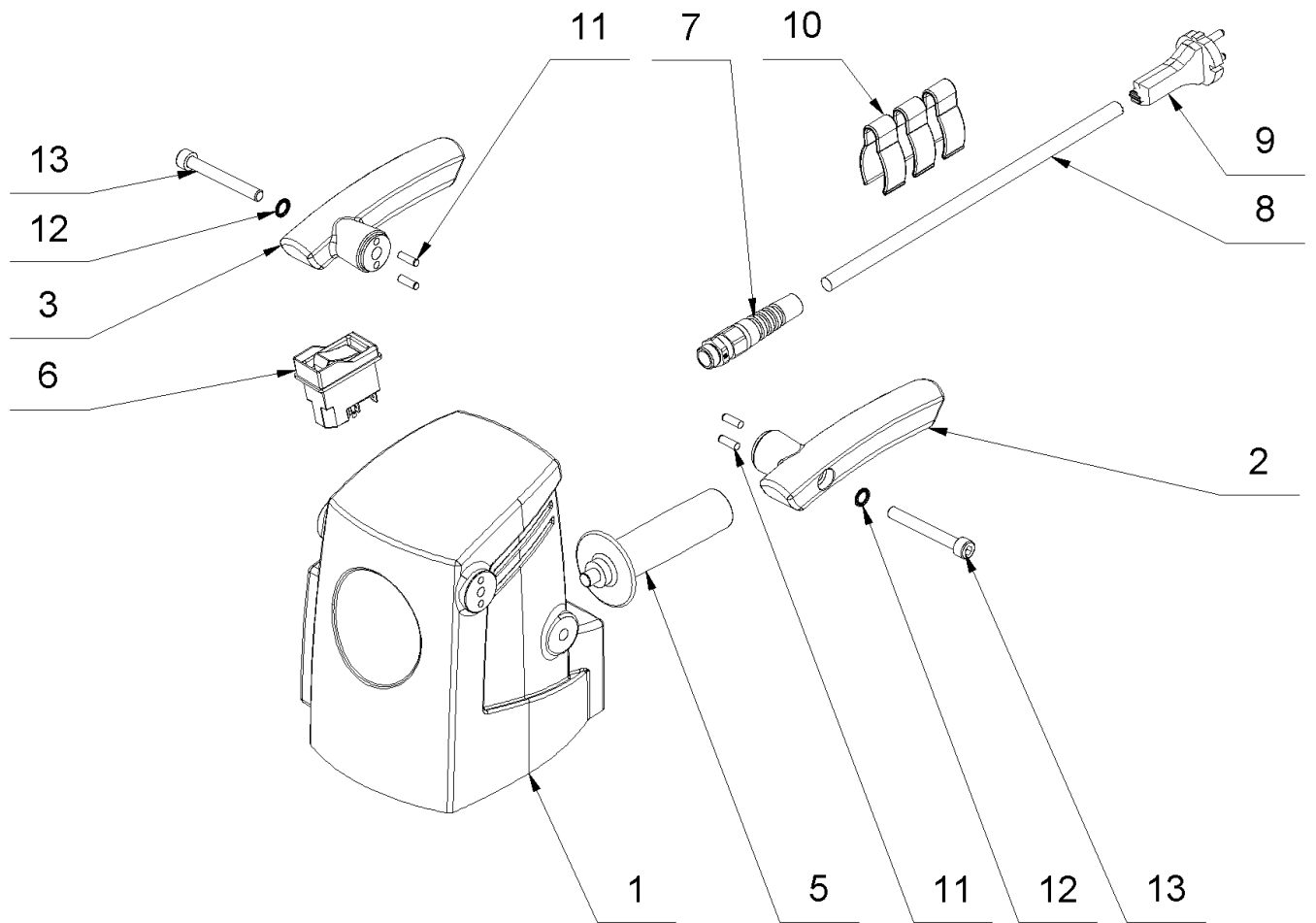
<b>Item no.</b>	<b>Article no.</b>	<b>Description</b>
1	01_01_065818	Cover Motor
2	02_02_065818	Motor
3	02_03_065818	Chassis
4	02_06_065829	Short sanding arm Ø150 mm
5	02_07_065828	Long sanding arm Ø150 mm
6	02_08_070940	Circuit diagram
7	01_09_067311	Tool kit
8	01_10_065818	Accessories

---

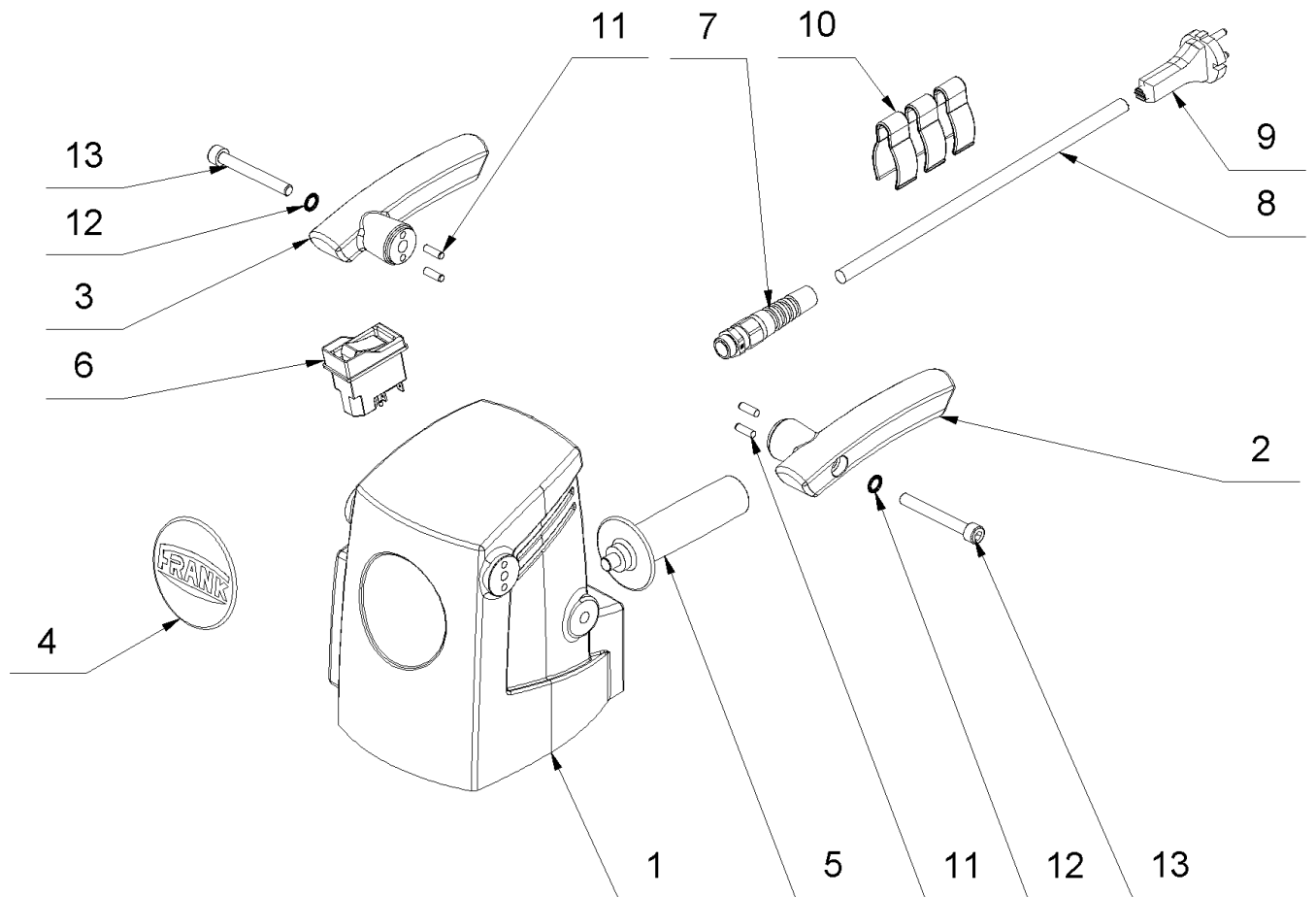
# 1 Cover Motor



# 1 Cover Motor



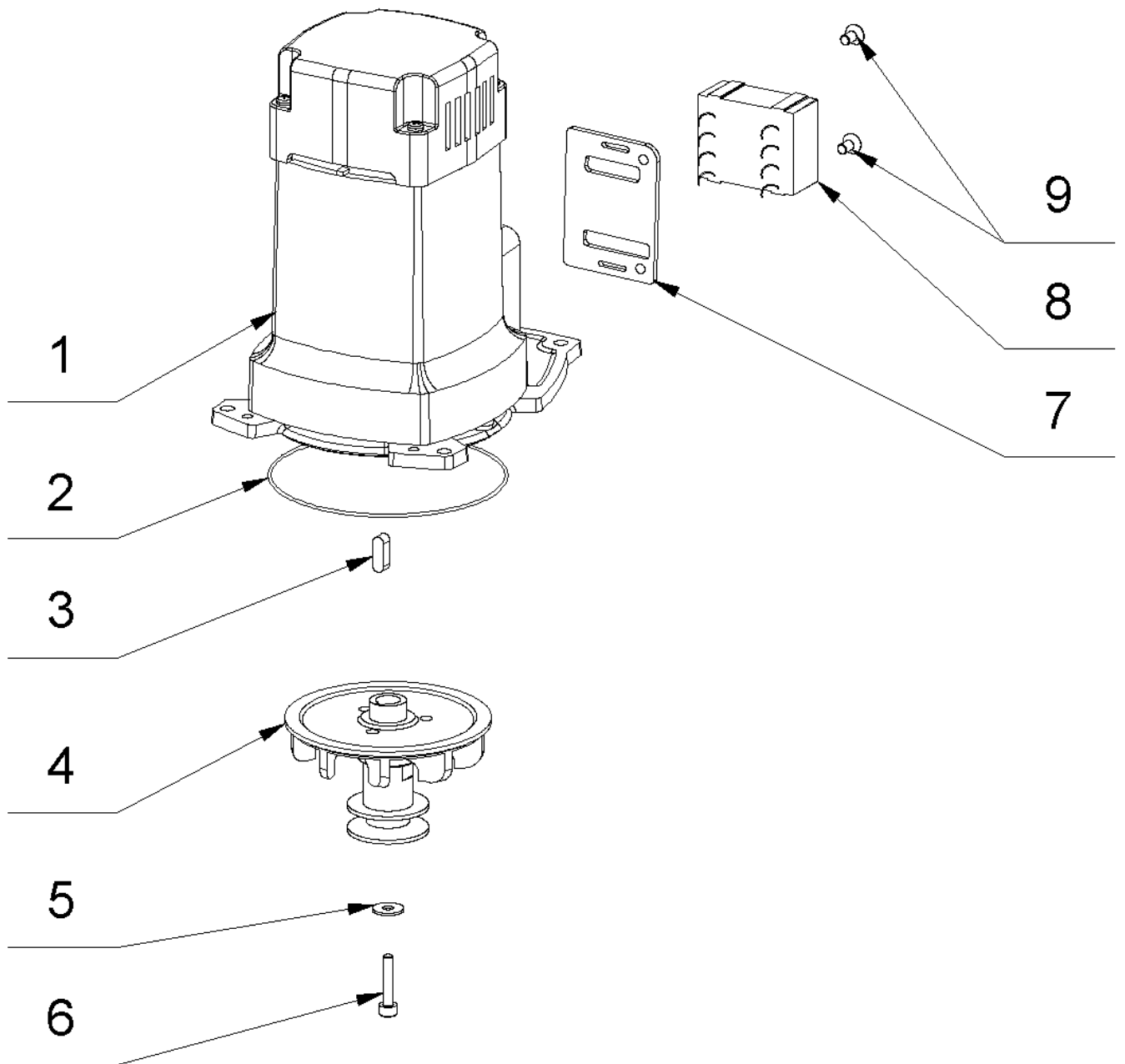
# 1 Cover Motor



## 1 Cover Motor

Item no.	Article no.	Description	Quantity
1	056569	cover Gecko Star	1
2	056575	handle left Gecko Star/Pure	1
3	081090	Handle right w.grip cover GeckoStar/Pure	1
4	129934	Label Pallmann 3D Ø 80mm	1
5	069284	Handle M10x10	1
6	014695	On/Off switch 230V/50Hz	1
7	038585	Strain relief w.bending prot.M16x1,5	1
8	067180	el.cord 3G1,5x5,0m orange o.Stecker	1
8	066665	el.cord 3G1,5x5,0m orange m.Stecker	1
9	019165	Plug 230V 3-polig Switzerland	1
9	019170	Plug 3-pol.230V SK1 UK	1
10	061621	Hose support	3
11	017723	Cylindrical pin 5x 16 DIN 6325	4
12	014860	Schnorr Washer M8	2
13	018251	Cylinder head screw M8x65 DIN 912	2

## 2 Motor

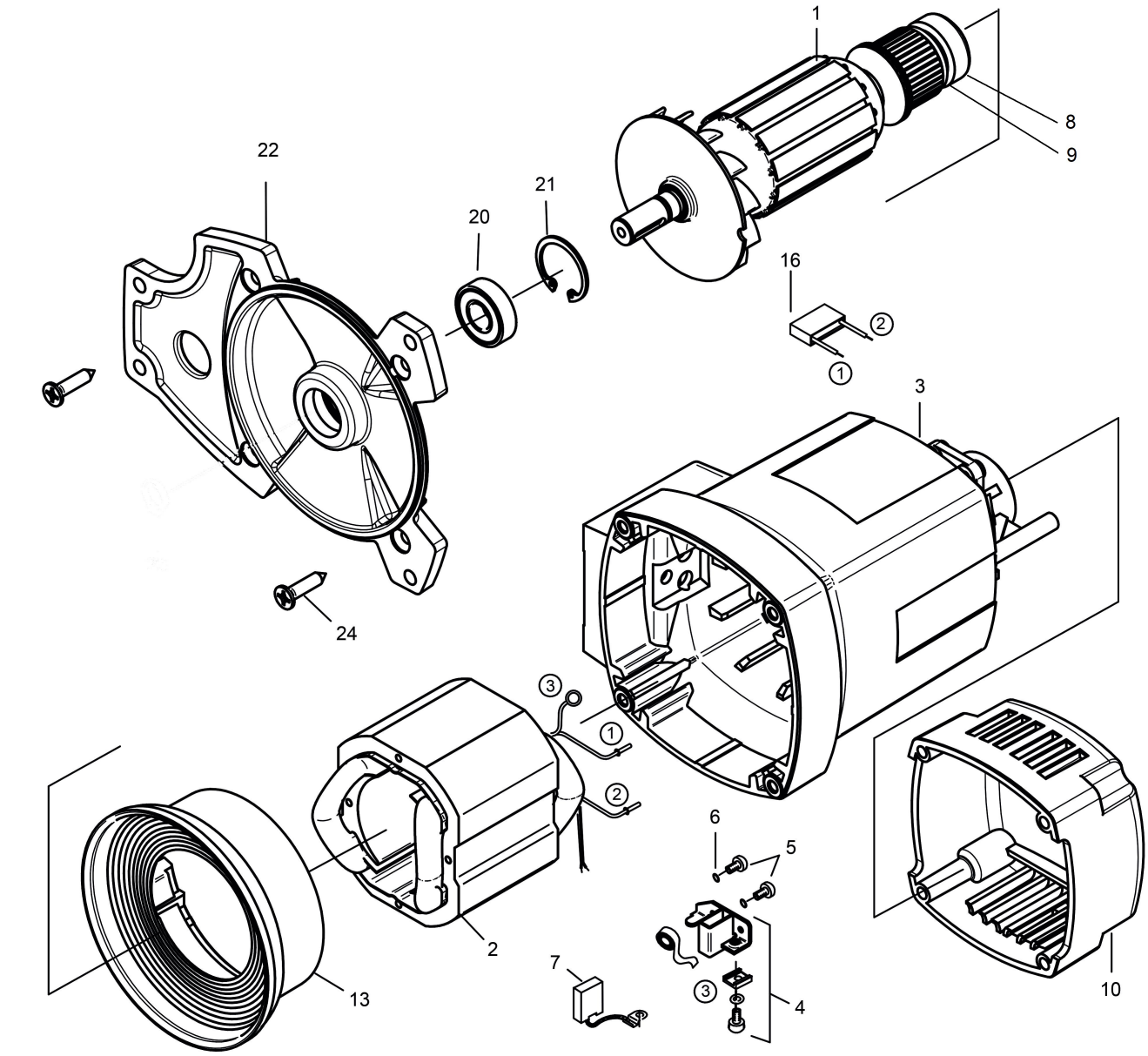




## 2 Motor

Item no.	Article no.	Description	Quantity
1	080464	motor cpl.230V/50-60Hz Gecko 2016	1
2	070711	O-Ring 112 x 1,5 - NBR 70	1
3	017731	Parallel key 6x6x18 DIN 6885	1
4	081512	Dust fan complete GeckoStar/Pure	1
5	068640	washer Gecko Star/Pure	1
6	014750	Cylinder head bolt M5x25 DIN 912 microv	1
7	066865	holding plate f.connectiGeckoStar/Pure	1
8	066605	power supply 230V Gecko Star/Pure	1
9	014754	Countersunk screw M5x10 DIN 7991 10.9	2

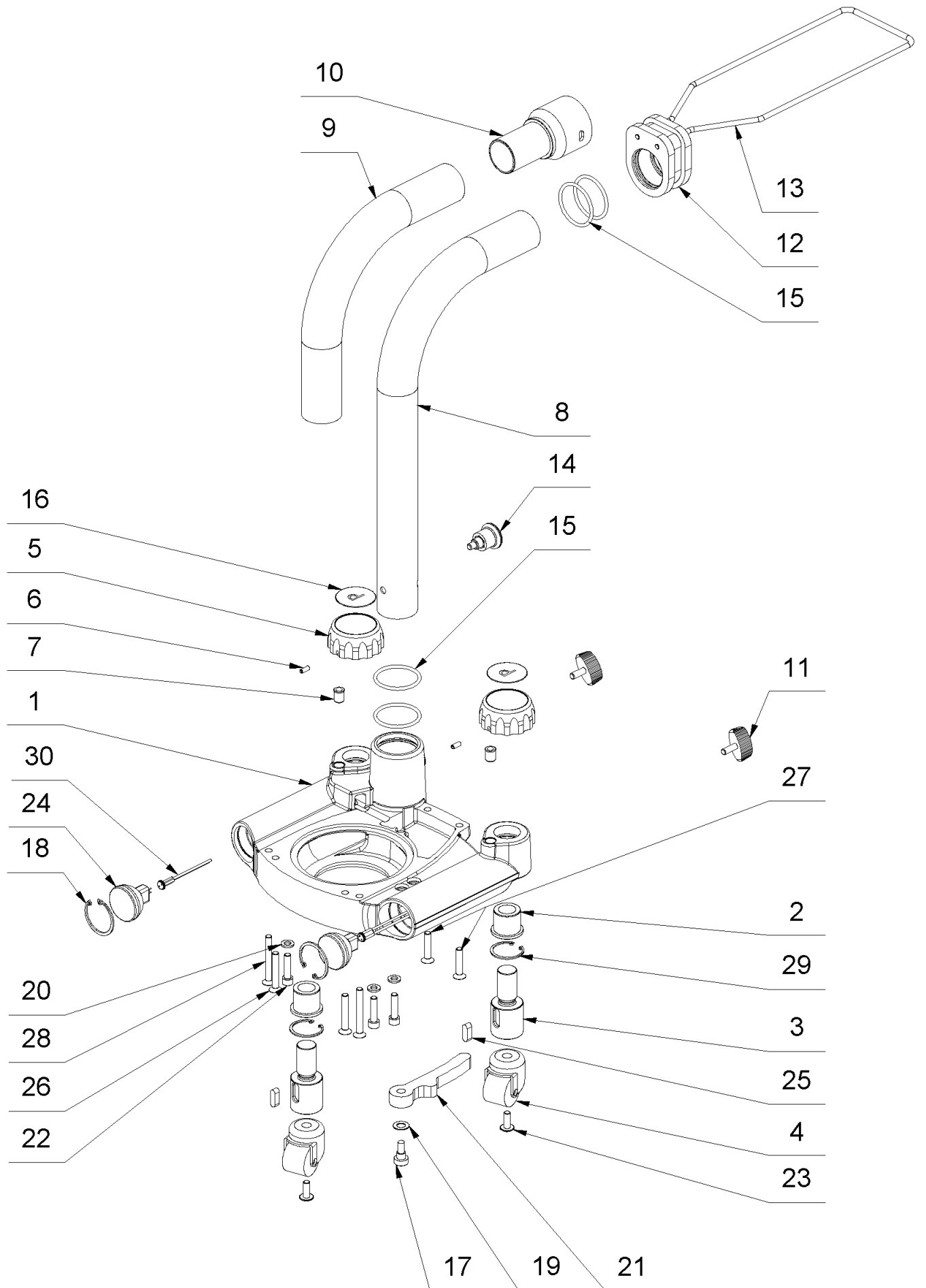
# 1 motor cpl.230V/50-60Hz Gecko 2016



## 1 motor cpl.230V/50-60Hz Gecko 2016

Item no.	Article no.	Description	Quantity
1	081342	Edge runner cpl.230V Gecko Star/Pure2016	1
2	081343	coil ring cpl.230V Gecko Star/Pure 2016	1
3	067195	Motor housing Gecko Star/Pure	1
4	067196	Carbon brush holder Gecko Star/Pure	2
5	067197	Screw ZM 4x12 GeckoStar	4
6	066724	Spring washer B M4 DIN 137	4
7	067199	Carbon brushes 2 pieces Gecko Star/Pure	1
8	077013	Bearing sleeve Gecko Star/Pure	1
9	084411	Ball bearing 6000 2Z C3	1
10	067204	Cap f.Motor housing Gecko Star/Pure	1
13	067214	Air guide ring cpl. Gecko Star/Pure	1
16	018771	Anti-interference capacitor	1
20	083870	Ball bearing 6001 2RSL/C3HT	1
21	017691	Circlip washer I28 DIN 472	1
22	056568	Bearing plate Gecko Star /Pure	1
24	067220	Counter sunk screw 5x25 Gecko Star/Pure	4

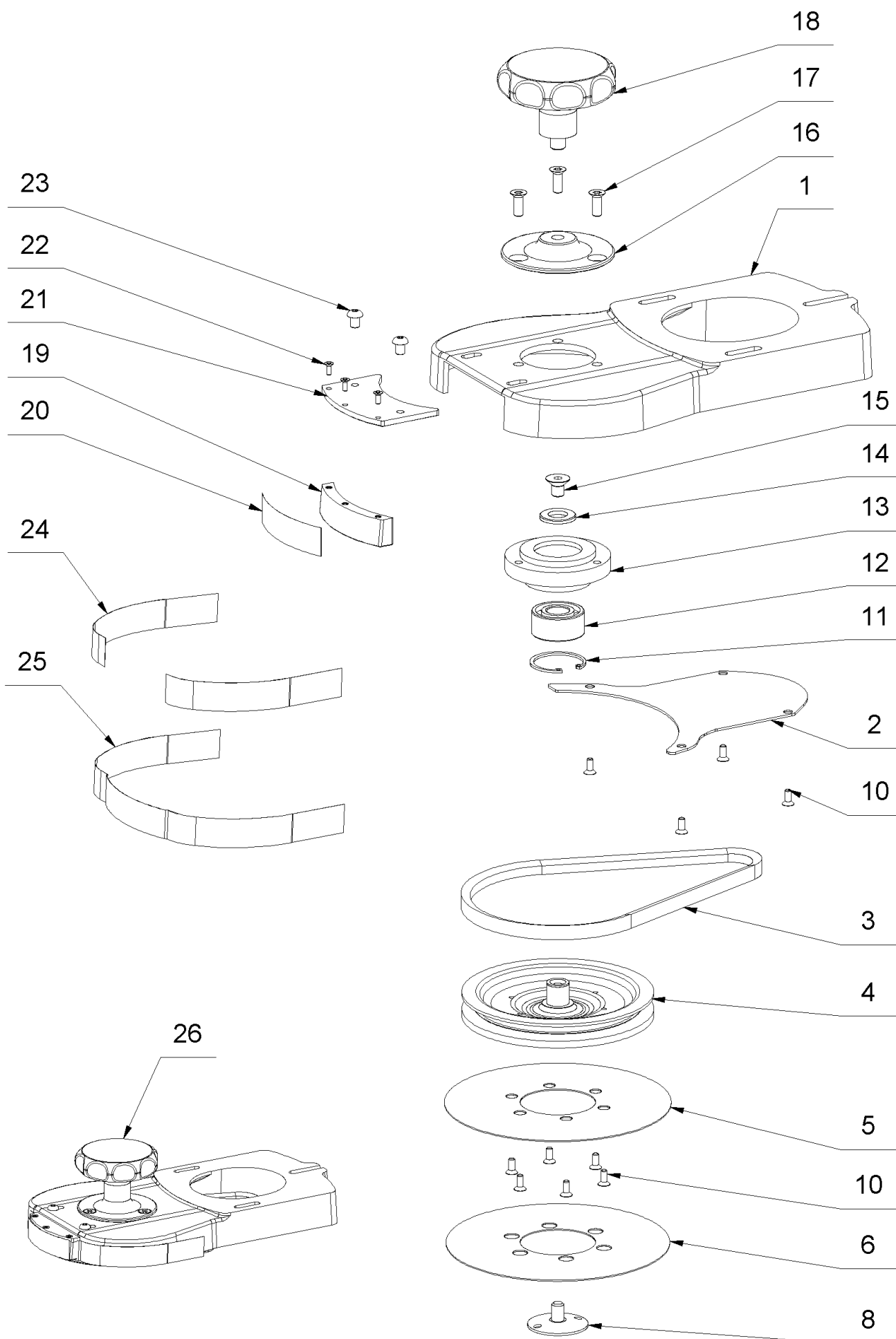
### 3 Chassis



### 3 Chassis

Item no.	Article no.	Description	Quantity
1	056565	Chassis Gecko Star/Pure	1
2	056594	Steep thread nut Gecko Star/Pure	2
3	056595	Steep thread spindle Gecko Star/Pure	2
4	040268	Castor URS New	2
5	056593	Setting Wheel Gecko Star/Pure	2
6	066664	Headless pin M4x10 /DIN 913	2
7	017781	Ball catch	2
8	066310	dust pipe short long Gecko Star/Pure	1
9	066309	Dust pipe short Gecko Star/Pure	1
10	066218	Sleeve dust pipe Gecko/Dust	1
11	070354	Wing screw GN 531 M6x16	2
12	056592	Flange for Dust Bag Gecko Star/Pure	1
13	066292	Shackle for Dust Bag Gecko Star/Pure	1
14	052440	Arresting bolt	1
15	070634	O-Ring 38,5 x 3,00 - NBR 70	4
16	066604	Scale thumbwheel Gecko Star/Pure	2
17	066723	Screw M 6x 6 ISO 7379	1
18	018091	Circlip I35 DIN472	2
19	017770	spring washer B M8 DIN 137 vzkt	1
20	014827	Washer M6 DIN 125 A	3
21	066721	Belt holding fixture Gecko Star old	1
22	066729	Cylinder head screw M 6x 25 ISO 14580	3
23	017552	Lens head screw M 6x16 ISO 7380	2
24	066649	Bulb LED D35 - 12V Gecko Star	2
25	017731	Parallel key 6x6x18 DIN 6885	2
26	056376	Countersunk screw M6x40 DIN 7991 10.9	2
27	017699	Countersunk screw M6x30 DIN 7991 10.9	2
28	066662	Countersunk screw M 6x55 DIN 7991 10.9	2
29	053318	Circlip I30 DIN 472	2
30	066650	socket LED Gecko Star/Pure	2

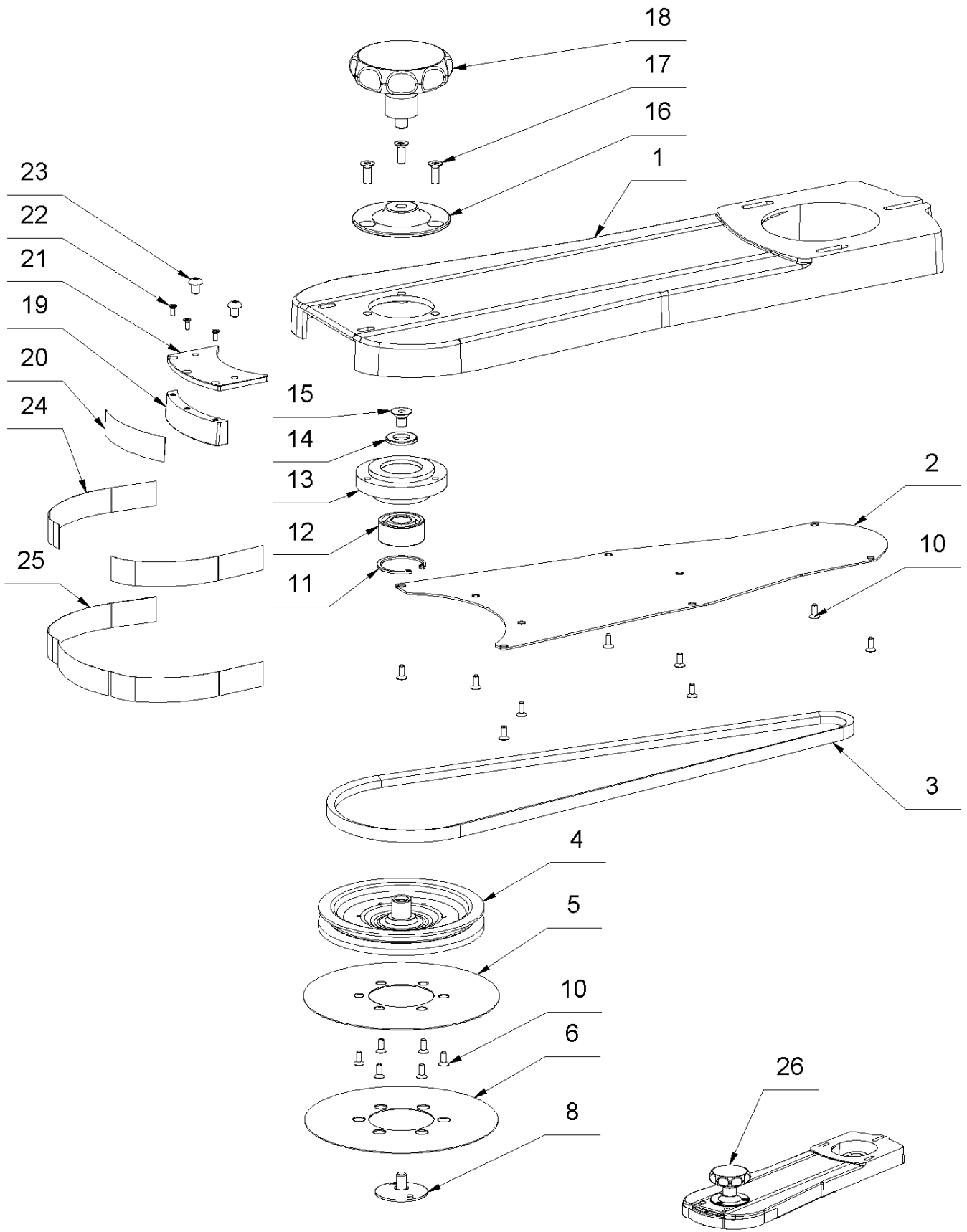
## 4 Short sanding arm Ø150 mm



## 4 Short sanding arm Ø150 mm

Item no.	Article no.	Description	Quantity
1	056572	short sanding arm casing150GeckoStarPure	1
2	066632	cover short Ø150mm Gecko Star/Pure	1
3	066720	v-Belt 10 x 500 mm	1
4	056596	belt pulley d150 Gecko Star/Pure	1
5	016223	150024000Steel disc Gecko	1
6	016222	150012000 Attachment disk d150 Gecko	1
8	061491	Clamping washer Gecko Flex	1
10	066727	Countersunk screw M 4x10 ISO 14581	10
11	018091	Circlip I35 DIN472	1
12	016707	Ball bearing Gecko Star/Pure	1
13	056598	Bearing flange Gecko Star/Pure	1
14	017741	Washer M14 DIN 125	1
15	038423	Counter sunk screw M8x12 DIN 7991 10.9	1
16	066631	Bearing cover Gecko Star/Pure	1
17	066726	Countersunk screw M 6x16 ISO 14581	3
18	066641	Handle cantilever arm Gecko Star/Pure	1
19	066639	Slide bar Gecko Star/Pure	1
20	070986	Velcro tape for gliders	1
21	066640	Adjusting plate Gecko Star/Pure	1
22	066725	Countersunk screw M 3x 8 ISO 14581	3
23	066728	Fillister head screw M6x 8 ISO7380	2
24	070982	Velcro f.Sanding attachment D150	1
25	070987	Velor band f.Sanding attachment D150	1
26	065829	ATTACHMENT CPL.SHORT GECKOSTAR/PURE D150	1

# 5 Long sanding arm Ø150 mm

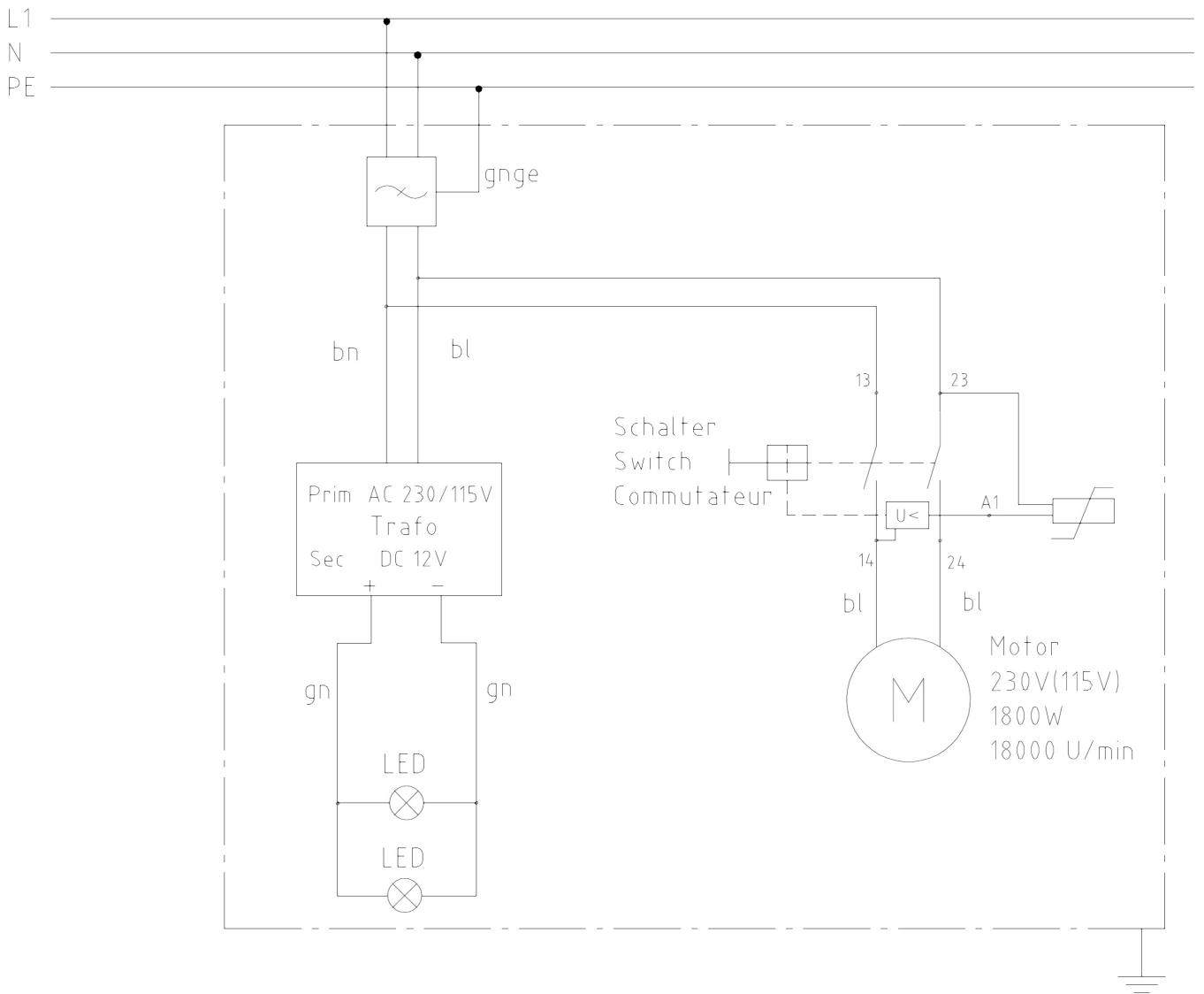




## 5 Long sanding arm Ø150 mm

Item no.	Article no.	Description	Quantity
1	056570	Long sanding arm casing150 GeckoStarPure	1
2	066633	cover long Ø150mm Gecko Star/Pure	1
3	066717	v-Belt X10 x 1000 mm	1
4	056596	belt pulley d150 Gecko Star/Pure	1
5	016223	150024000Steel disc Gecko	1
6	016222	150012000 Attachment disk d150 Gecko	1
8	061491	Clamping washer Gecko Flex	1
10	066727	Countersunk screw M 4x10 ISO 14581	15
11	018091	Circlip I35 DIN472	1
12	016707	Ball bearing Gecko Star/Pure	1
13	056598	Bearing flange Gecko Star/Pure	1
14	017741	Washer M14 DIN 125	1
15	038423	Counter sunk screw M8x12 DIN 7991 10.9	1
16	066631	Bearing cover Gecko Star/Pure	1
17	066726	Countersunk screw M 6x16 ISO 14581	3
18	066641	Handle cantilever arm Gecko Star/Pure	1
19	066639	Slide bar Gecko Star/Pure	1
20	070986	Velcro tape for gliders	1
21	066640	Adjusting plate Gecko Star/Pure	1
22	066725	Countersunk screw M 3x 8 ISO 14581	3
23	066728	Fillister head screw M6x 8 ISO7380	2
24	070982	Velcro f.Sanding attachment D150	1
25	070987	Velor band f.Sanding attachment D150	1
26	065828	ATTACHMENT CPL.LONG GECKO STAR/PURE D150	1

## 6 Circuit diagram



## 6 Circuit diagram

---

## 7 Tool kit

---

Item no.	Article no.	Description	Quantity
1	067311	tool set Gecko Star/Pure	1
2	015315	Hearing protectors	1
3	016732	Fine dust mask Gecko/URS/Cobra	1
4	066603	DUST BAG GECKO STAR/PURE PALLMANN	1

## 1 tool set Gecko Star/Pure

---

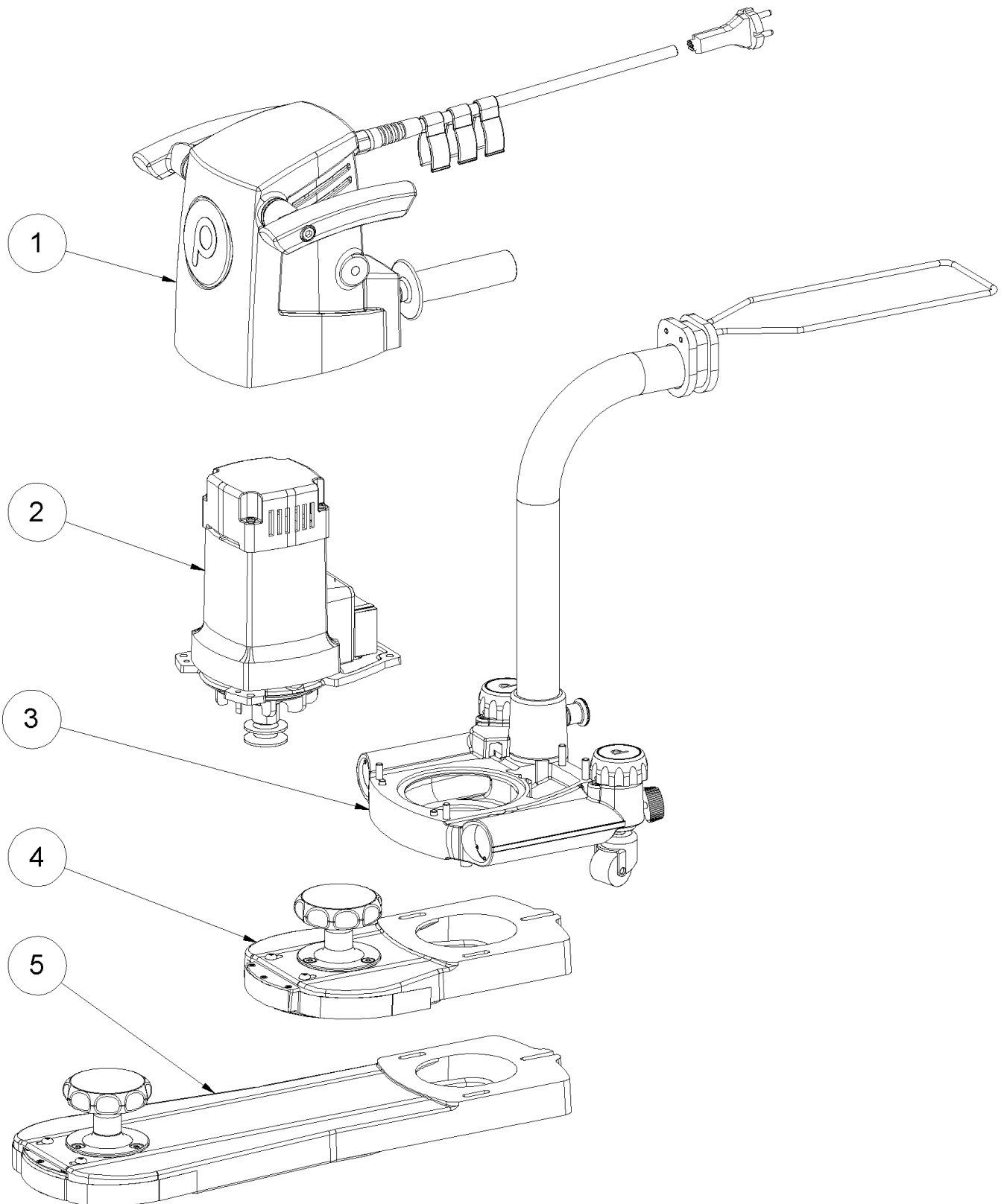
Item no.	Article no.	Description	Quantity
1	067309	Screw driver 1/4"	1
2	067310	Bit Box equipped SEE 169425	1
3	016725	Tool pocket empty	1
4	018642	Twin hole spanner DIN3116-SW30-4mm	1
5	083824	Hexagon socket wrench 13 mm	1

## 8 Accessories

---

Item no.	Article no.	Description	Quantity
5	016222	150012000 Attachment disk d150 Gecko	1
6	073274	VELCRO DISC BETWEEN D 150 MM	1
7	066720	v-Belt 10 x 500 mm	1
8	066717	v-Belt X10 x 1000 mm	1

### 3 Pallmann Gecko Star 230V Ø150 (0229/2014-0320/2014)



### **3 Pallmann Gecko Star 230V Ø150 (0229/2014-0320/2014)**

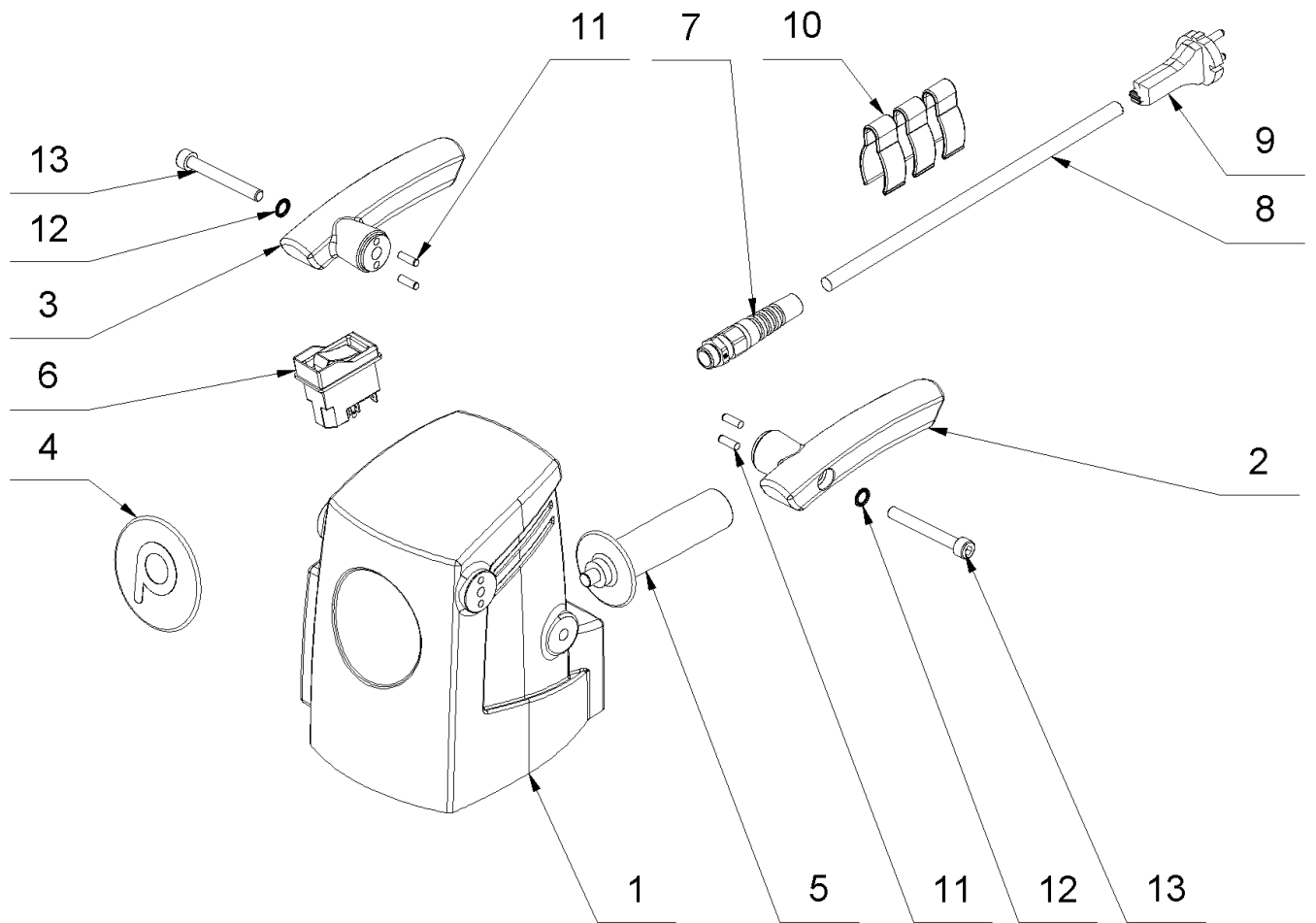
---

<b>Item no.</b>	<b>Article no.</b>	<b>Description</b>
1	01_01_065818	Cover Motor
2	02_02_065818	Motor
3	03_03_065818	Chassis
4	02_06_065829	Short sanding arm Ø150 mm
5	02_07_065828	Long sanding arm Ø150 mm
6	02_08_070940	Circuit diagram
7	01_09_067311	Tool kit
8	01_10_065818	Accessories

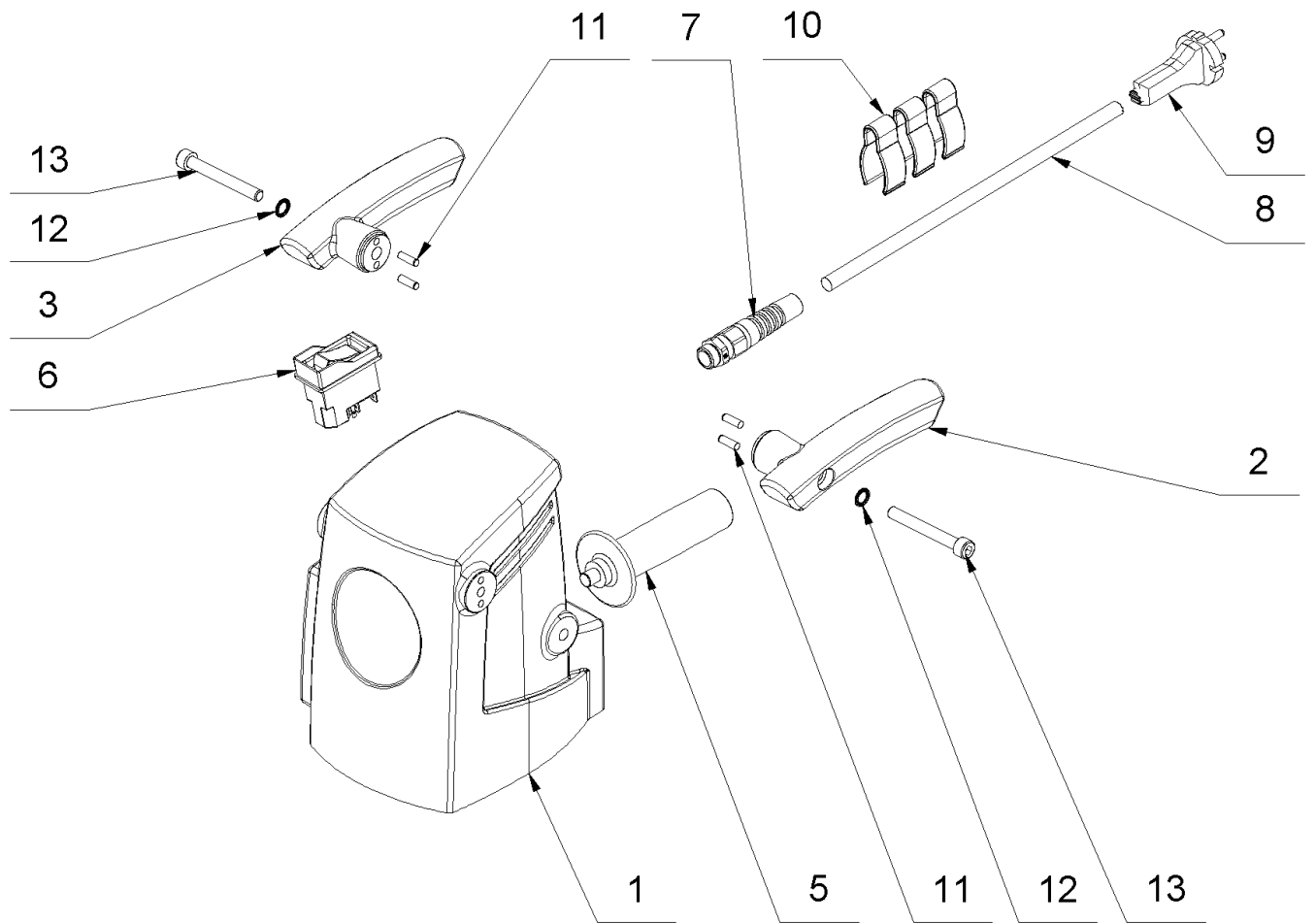
---



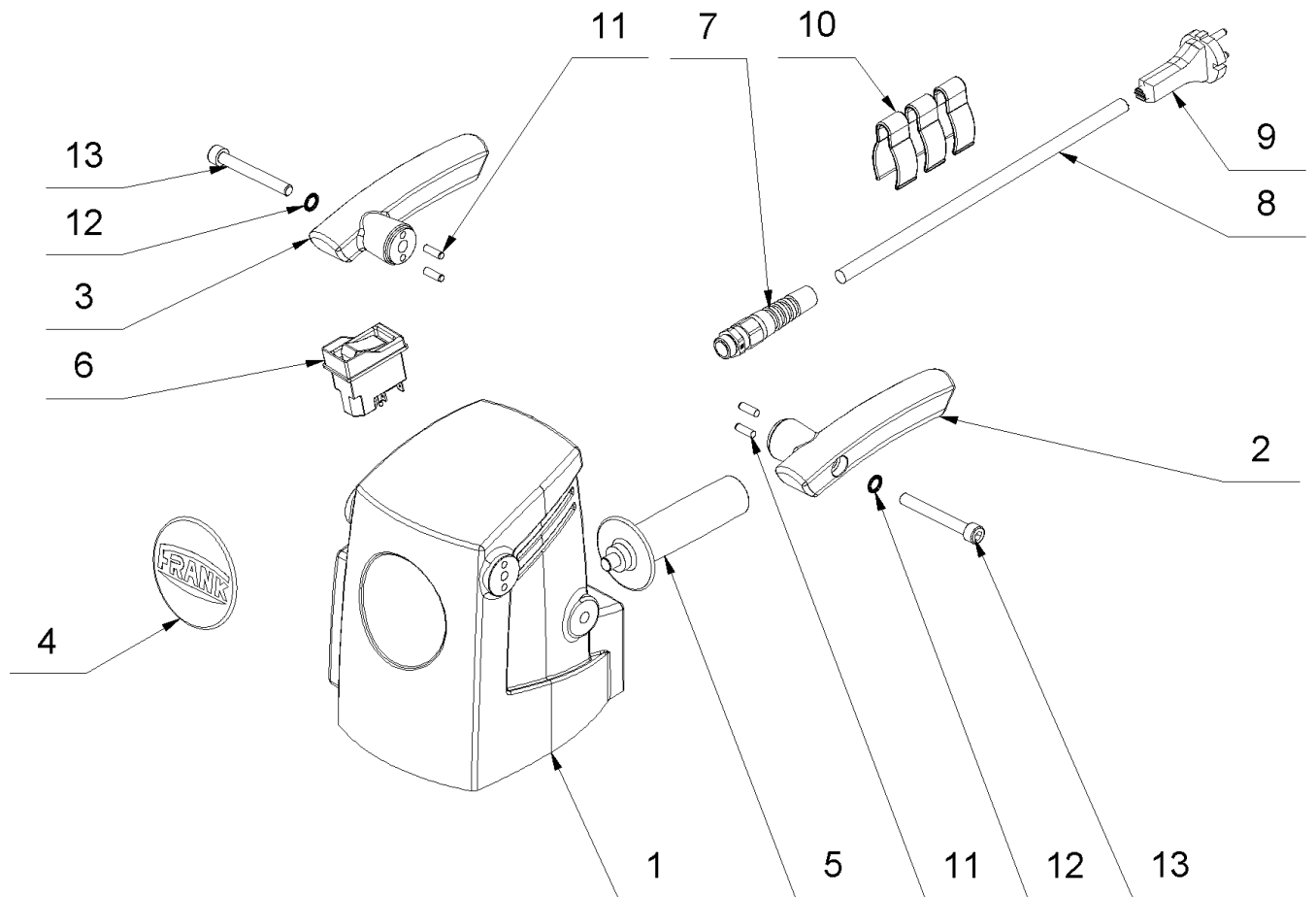
# 1 Cover Motor



# 1 Cover Motor



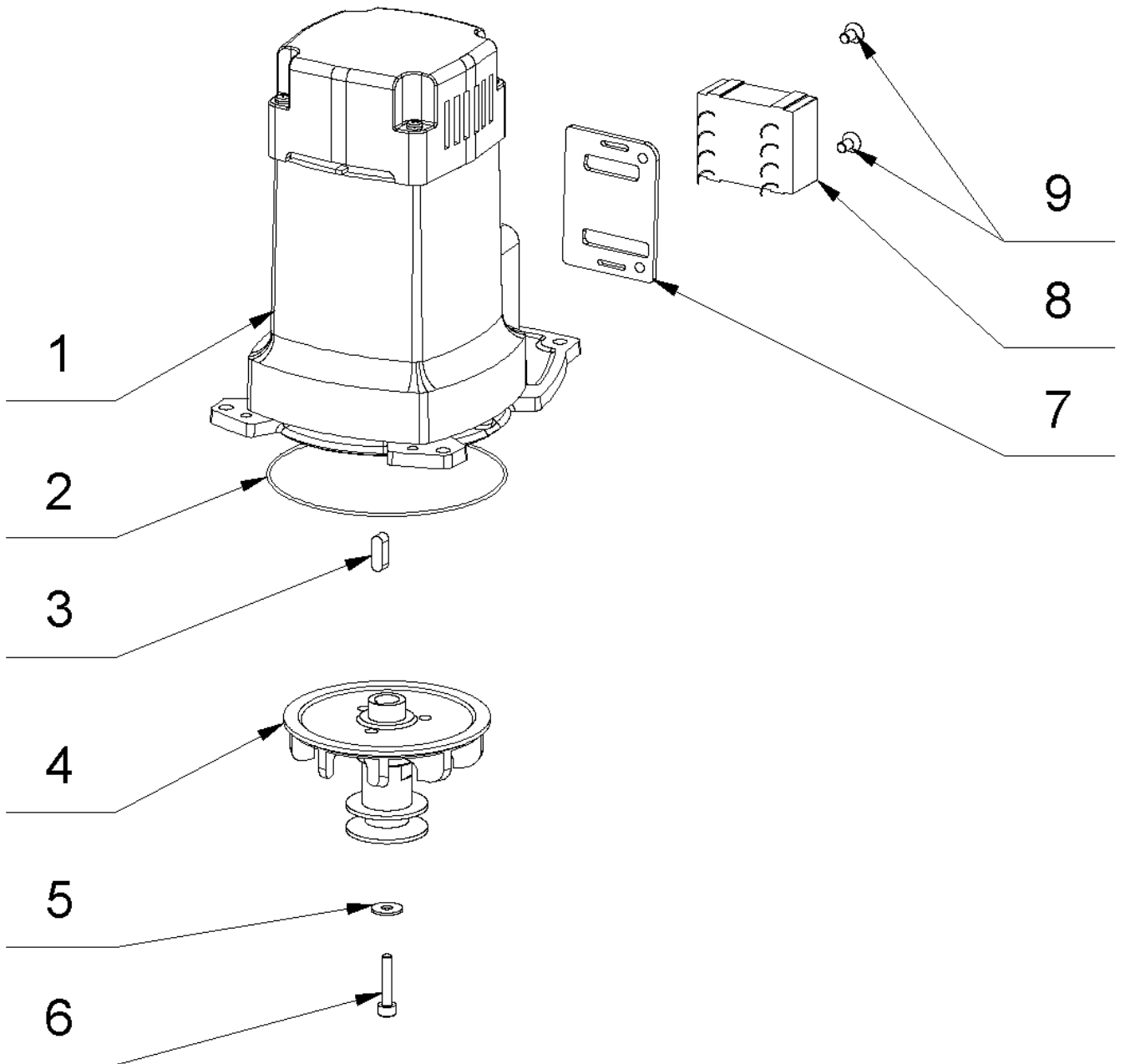
# 1 Cover Motor



## 1 Cover Motor

Item no.	Article no.	Description	Quantity
1	056569	cover Gecko Star	1
2	056575	handle left Gecko Star/Pure	1
3	081090	Handle right w.grip cover GeckoStar/Pure	1
4	129934	Label Pallmann 3D Ø 80mm	1
5	069284	Handle M10x10	1
6	014695	On/Off switch 230V/50Hz	1
7	038585	Strain relief w.bending prot.M16x1,5	1
8	067180	el.cord 3G1,5x5,0m orange o.Stecker	1
8	066665	el.cord 3G1,5x5,0m orange m.Stecker	1
9	019165	Plug 230V 3-polig Switzerland	1
9	019170	Plug 3-pol.230V SK1 UK	1
10	061621	Hose support	3
11	017723	Cylindrical pin 5x 16 DIN 6325	4
12	014860	Schnorr Washer M8	2
13	018251	Cylinder head screw M8x65 DIN 912	2

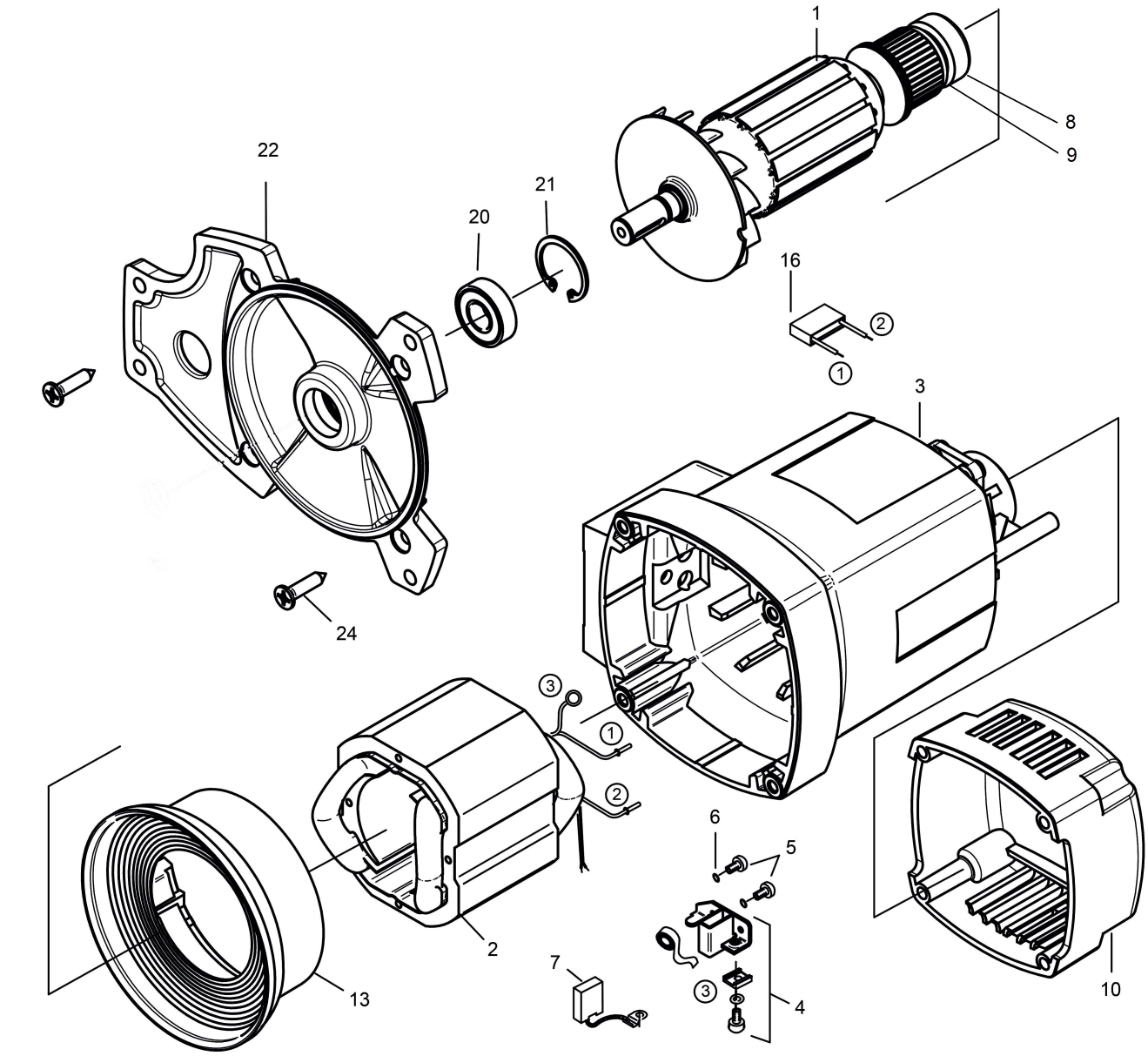
## 2 Motor



## 2 Motor

Item no.	Article no.	Description	Quantity
1	080464	motor cpl.230V/50-60Hz Gecko 2016	1
2	070711	O-Ring 112 x 1,5 - NBR 70	1
3	017731	Parallel key 6x6x18 DIN 6885	1
4	081512	Dust fan complete GeckoStar/Pure	1
5	068640	washer Gecko Star/Pure	1
6	014750	Cylinder head bolt M5x25 DIN 912 microv	1
7	066865	holding plate f.connectiGeckoStar/Pure	1
8	066605	power supply 230V Gecko Star/Pure	1
9	014754	Countersunk screw M5x10 DIN 7991 10.9	2

# 1 motor cpl.230V/50-60Hz Gecko 2016

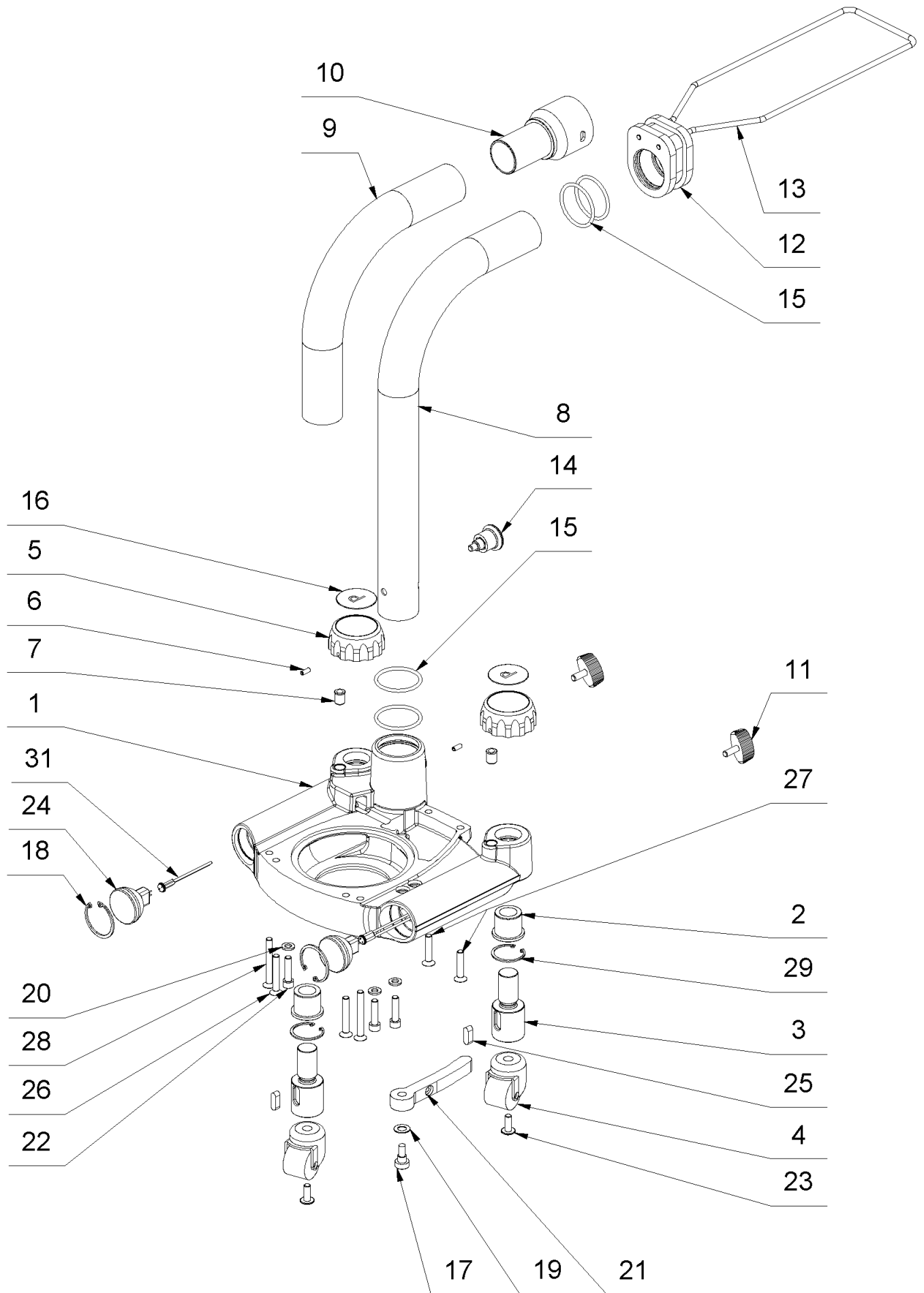


## 1 motor cpl.230V/50-60Hz Gecko 2016

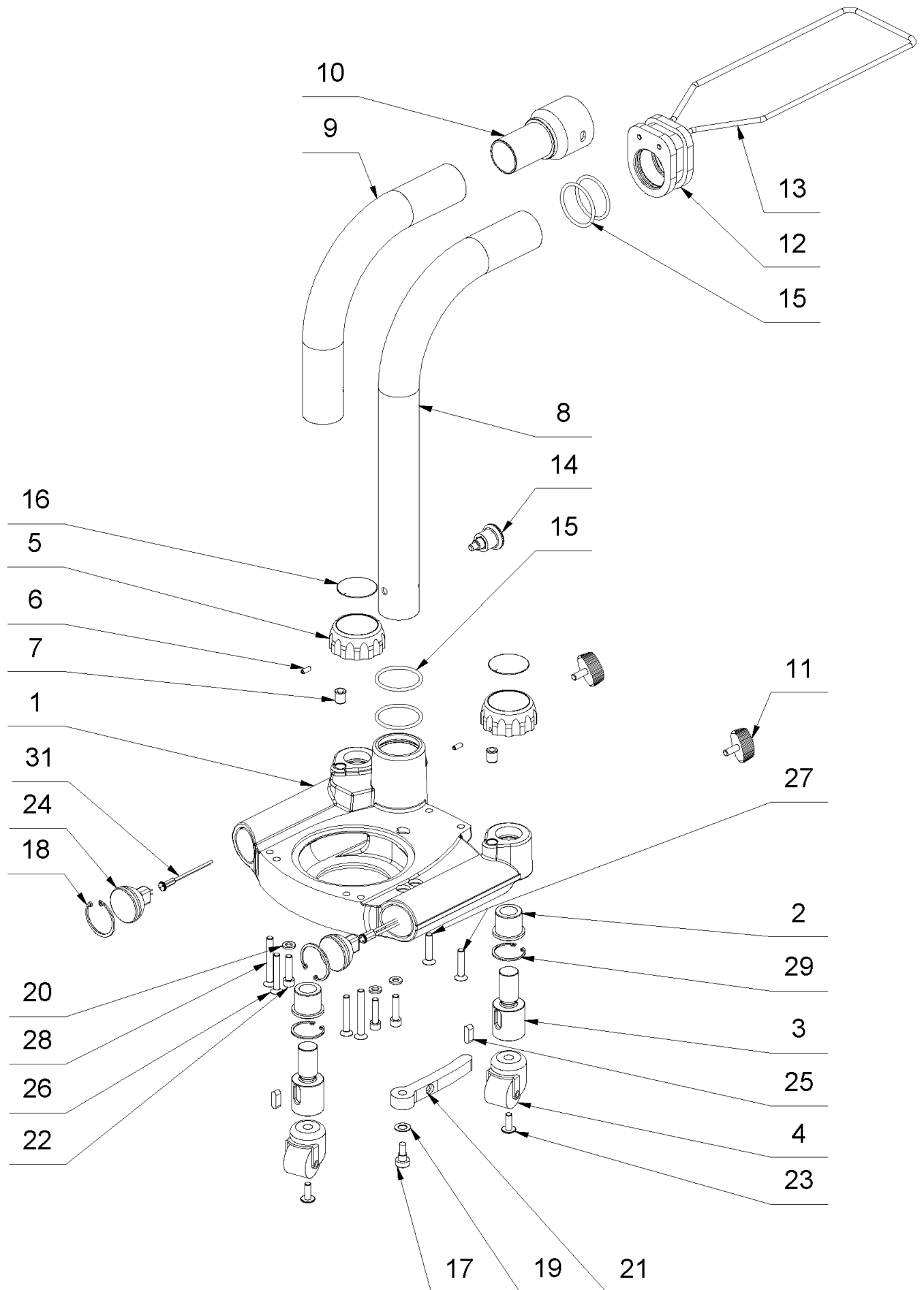
Item no.	Article no.	Description	Quantity
1	081342	Edge runner cpl.230V Gecko Star/Pure2016	1
2	081343	coil ring cpl.230V Gecko Star/Pure 2016	1
3	067195	Motor housing Gecko Star/Pure	1
4	067196	Carbon brush holder Gecko Star/Pure	2
5	067197	Screw ZM 4x12 GeckoStar	4
6	066724	Spring washer B M4 DIN 137	4
7	067199	Carbon brushes 2 pieces Gecko Star/Pure	1
8	077013	Bearing sleeve Gecko Star/Pure	1
9	084411	Ball bearing 6000 2Z C3	1
10	067204	Cap f.Motor housing Gecko Star/Pure	1
13	067214	Air guide ring cpl. Gecko Star/Pure	1
16	018771	Anti-interference capacitor	1
20	083870	Ball bearing 6001 2RSL/C3HT	1
21	017691	Circlip washer I28 DIN 472	1
22	056568	Bearing plate Gecko Star /Pure	1
24	067220	Counter sunk screw 5x25 Gecko Star/Pure	4



### 3 Chassis



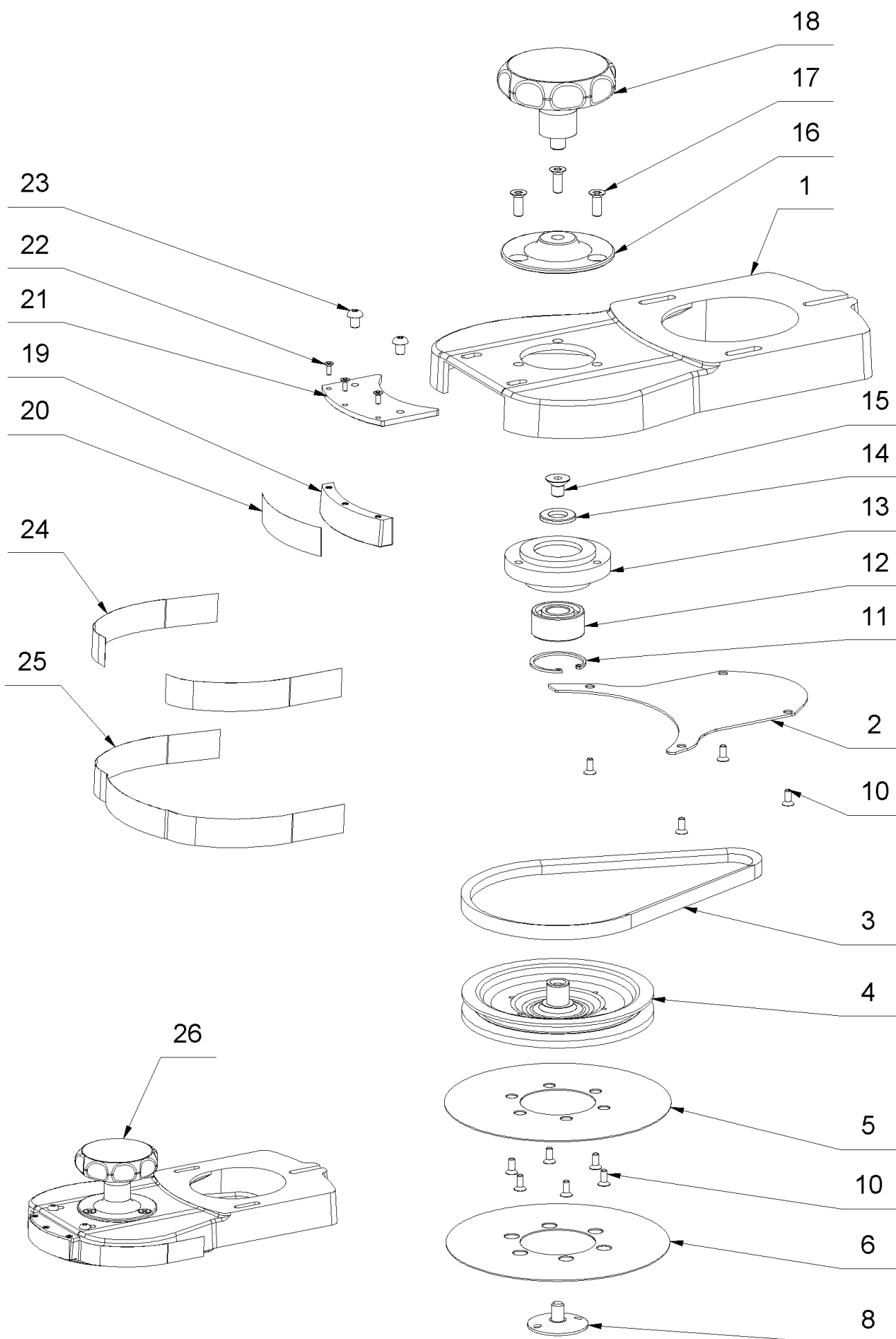
### 3 Chassis



### 3 Chassis

Item no.	Article no.	Description	Quantity
1	056565	Chassis Gecko Star/Pure	1
2	056594	Steep thread nut Gecko Star/Pure	2
3	056595	Steep thread spindle Gecko Star/Pure	2
4	040268	Castor URS New	2
5	056593	Setting Wheel Gecko Star/Pure	2
6	066664	Headless pin M4x10 /DIN 913	2
7	017781	Ball catch	2
8	066310	dust pipe short long Gecko Star/Pure	1
9	066309	Dust pipe short Gecko Star/Pure	1
10	066218	Sleeve dust pipe Gecko/Dust	1
11	070354	Wing screw GN 531 M6x16	2
12	056592	Flange for Dust Bag Gecko Star/Pure	1
13	066292	Shackle for Dust Bag Gecko Star/Pure	1
14	052440	Arresting bolt	1
15	070634	O-Ring 38,5 x 3,00 - NBR 70	4
16	066604	Scale thumbwheel Gecko Star/Pure	2
17	066723	Screw M 6x 6 ISO 7379	1
18	018091	Circlip I35 DIN472	2
19	017770	spring washer B M8 DIN 137 vzkt	1
20	014827	Washer M6 DIN 125 A	3
21	072414	Belt holding fixture Gecko Star	1
22	066729	Cylinder head screw M 6x 25 ISO 14580	3
23	017552	Lens head screw M 6x16 ISO 7380	2
24	066649	Bulb LED D35 - 12V Gecko Star	2
25	017731	Parallel key 6x6x18 DIN 6885	2
26	056376	Countersunk screw M6x40 DIN 7991 10.9	2
27	017699	Countersunk screw M6x30 DIN 7991 10.9	2
28	066662	Countersunk screw M 6x55 DIN 7991 10.9	2
29	053318	Circlip I30 DIN 472	2
31	066650	socket LED Gecko Star/Pure	2

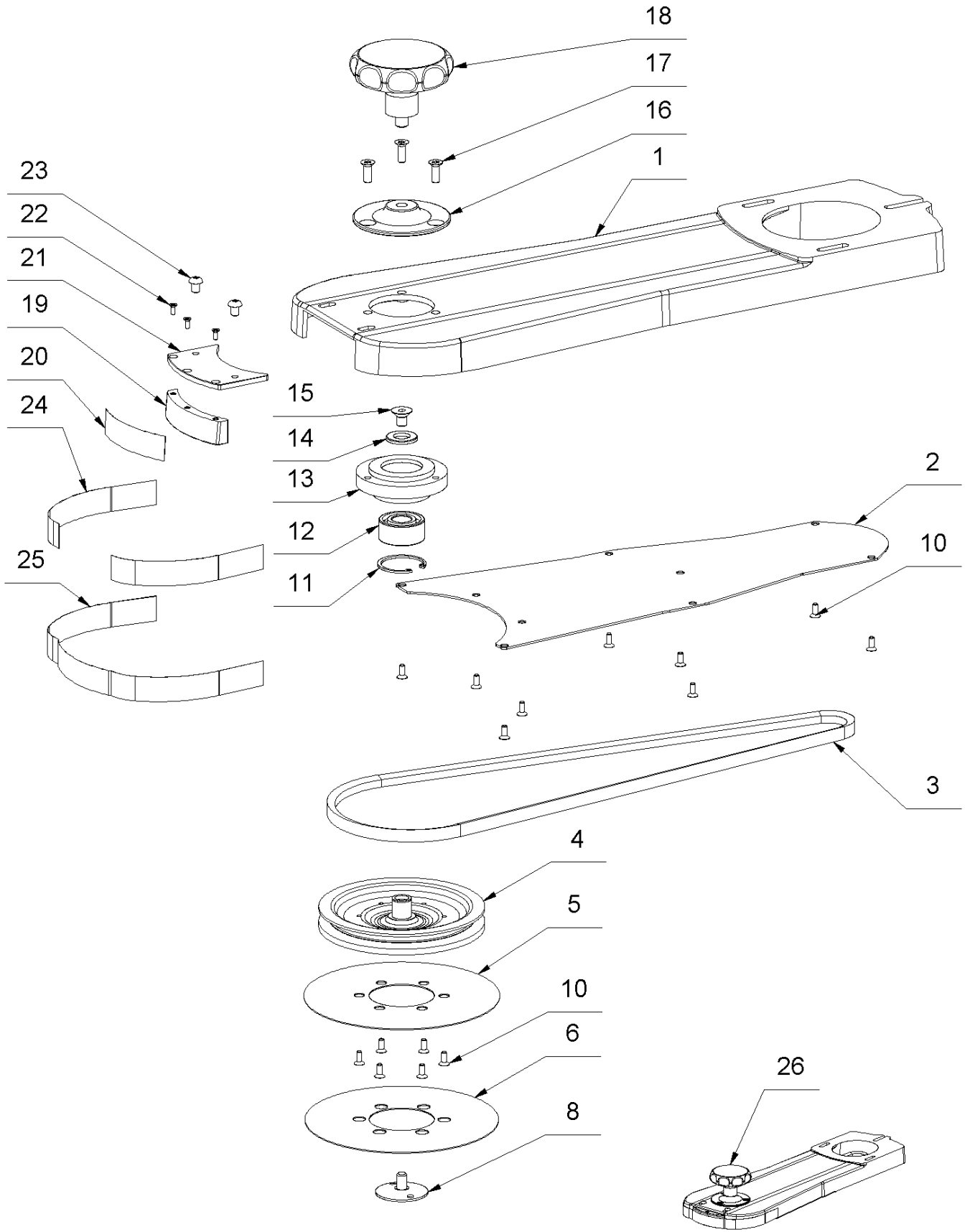
## 4 Short sanding arm Ø150 mm



## 4 Short sanding arm Ø150 mm

Item no.	Article no.	Description	Quantity
1	056572	short sanding arm casing150GeckoStarPure	1
2	066632	cover short Ø150mm Gecko Star/Pure	1
3	066720	v-Belt 10 x 500 mm	1
4	056596	belt pulley d150 Gecko Star/Pure	1
5	016223	150024000Steel disc Gecko	1
6	016222	150012000 Attachment disk d150 Gecko	1
8	061491	Clamping washer Gecko Flex	1
10	066727	Countersunk screw M 4x10 ISO 14581	10
11	018091	Circlip I35 DIN472	1
12	016707	Ball bearing Gecko Star/Pure	1
13	056598	Bearing flange Gecko Star/Pure	1
14	017741	Washer M14 DIN 125	1
15	038423	Counter sunk screw M8x12 DIN 7991 10.9	1
16	066631	Bearing cover Gecko Star/Pure	1
17	066726	Countersunk screw M 6x16 ISO 14581	3
18	066641	Handle cantilever arm Gecko Star/Pure	1
19	066639	Slide bar Gecko Star/Pure	1
20	070986	Velcro tape for gliders	1
21	066640	Adjusting plate Gecko Star/Pure	1
22	066725	Countersunk screw M 3x 8 ISO 14581	3
23	066728	Fillister head screw M6x 8 ISO7380	2
24	070982	Velcro f.Sanding attachment D150	1
25	070987	Velor band f.Sanding attachment D150	1
26	065829	ATTACHMENT CPL.SHORT GECKOSTAR/PURE D150	1

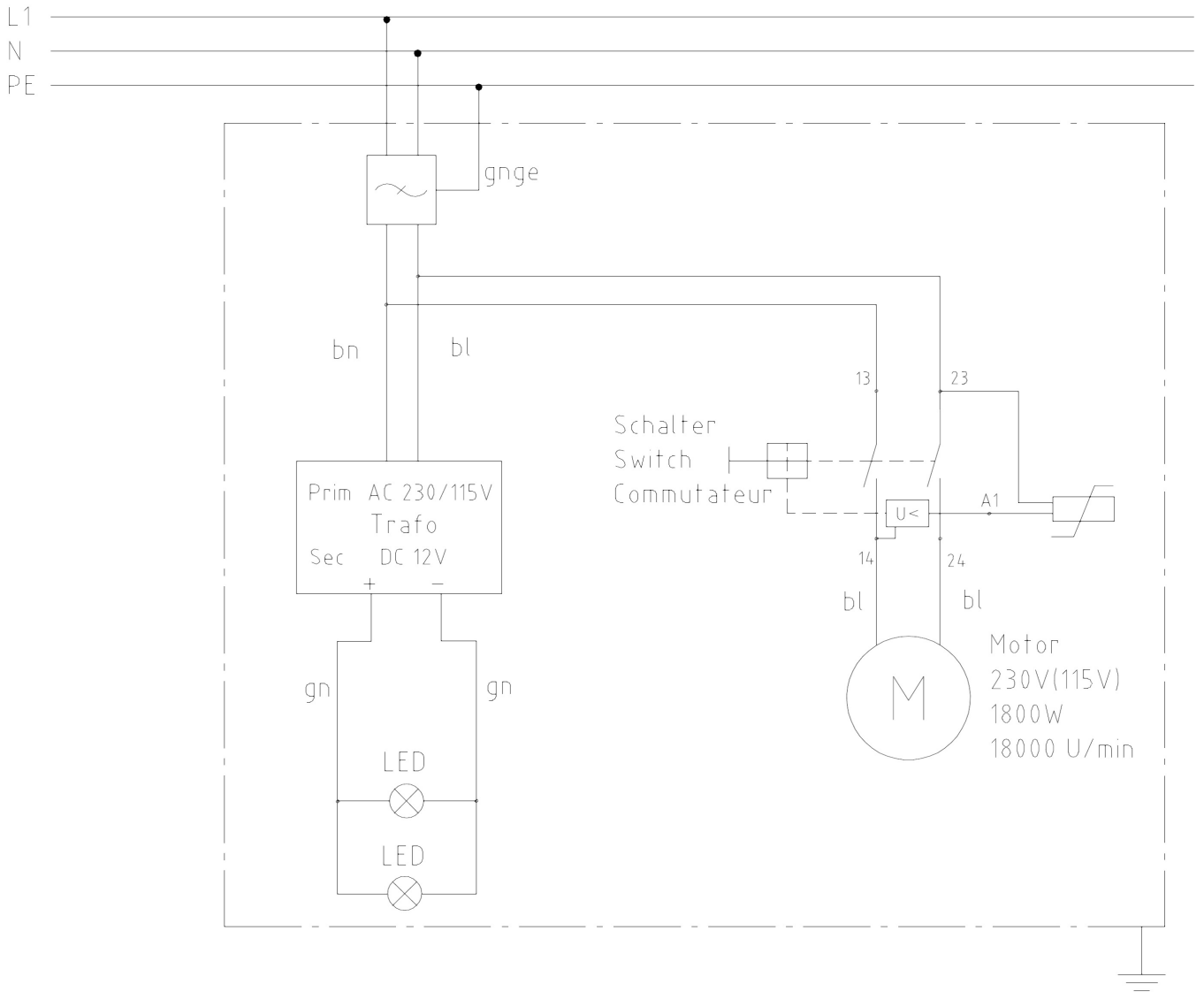
# 5 Long sanding arm Ø150 mm



## 5 Long sanding arm Ø150 mm

Item no.	Article no.	Description	Quantity
1	056570	Long sanding arm casing150 GeckoStarPure	1
2	066633	cover long Ø150mm Gecko Star/Pure	1
3	066717	v-Belt X10 x 1000 mm	1
4	056596	belt pulley d150 Gecko Star/Pure	1
5	016223	150024000Steel disc Gecko	1
6	016222	150012000 Attachment disk d150 Gecko	1
8	061491	Clamping washer Gecko Flex	1
10	066727	Countersunk screw M 4x10 ISO 14581	15
11	018091	Circlip I35 DIN472	1
12	016707	Ball bearing Gecko Star/Pure	1
13	056598	Bearing flange Gecko Star/Pure	1
14	017741	Washer M14 DIN 125	1
15	038423	Counter sunk screw M8x12 DIN 7991 10.9	1
16	066631	Bearing cover Gecko Star/Pure	1
17	066726	Countersunk screw M 6x16 ISO 14581	3
18	066641	Handle cantilever arm Gecko Star/Pure	1
19	066639	Slide bar Gecko Star/Pure	1
20	070986	Velcro tape for gliders	1
21	066640	Adjusting plate Gecko Star/Pure	1
22	066725	Countersunk screw M 3x 8 ISO 14581	3
23	066728	Fillister head screw M6x 8 ISO7380	2
24	070982	Velcro f.Sanding attachment D150	1
25	070987	Velor band f.Sanding attachment D150	1
26	065828	ATTACHMENT CPL.LONG GECKO STAR/PURE D150	1

## 6 Circuit diagram





## 6 Circuit diagram

---

## 7 Tool kit

---

Item no.	Article no.	Description	Quantity
1	067311	tool set Gecko Star/Pure	1
2	015315	Hearing protectors	1
3	016732	Fine dust mask Gecko/URS/Cobra	1
4	066603	DUST BAG GECKO STAR/PURE PALLMANN	1

## 1 tool set Gecko Star/Pure

---

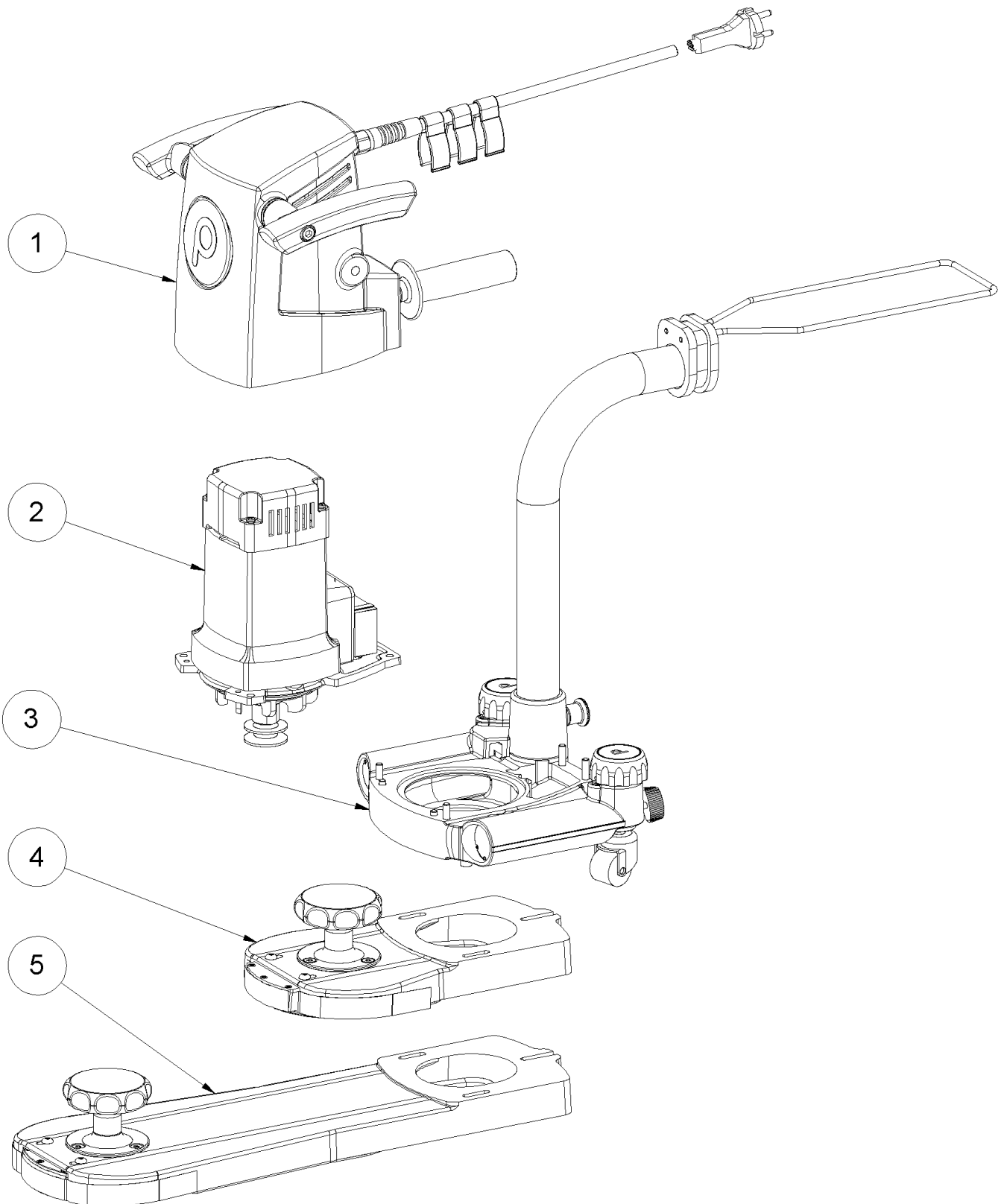
Item no.	Article no.	Description	Quantity
1	067309	Screw driver 1/4"	1
2	067310	Bit Box equipped SEE 169425	1
3	016725	Tool pocket empty	1
4	018642	Twin hole spanner DIN3116-SW30-4mm	1
5	083824	Hexagon socket wrench 13 mm	1

## 8 Accessories

---

Item no.	Article no.	Description	Quantity
5	016222	150012000 Attachment disk d150 Gecko	1
6	073274	VELCRO DISC BETWEEN D 150 MM	1
7	066720	v-Belt 10 x 500 mm	1
8	066717	v-Belt X10 x 1000 mm	1

## 4 Pallmann Gecko Star 230V Ø150 (0321/2014-0402/2016)



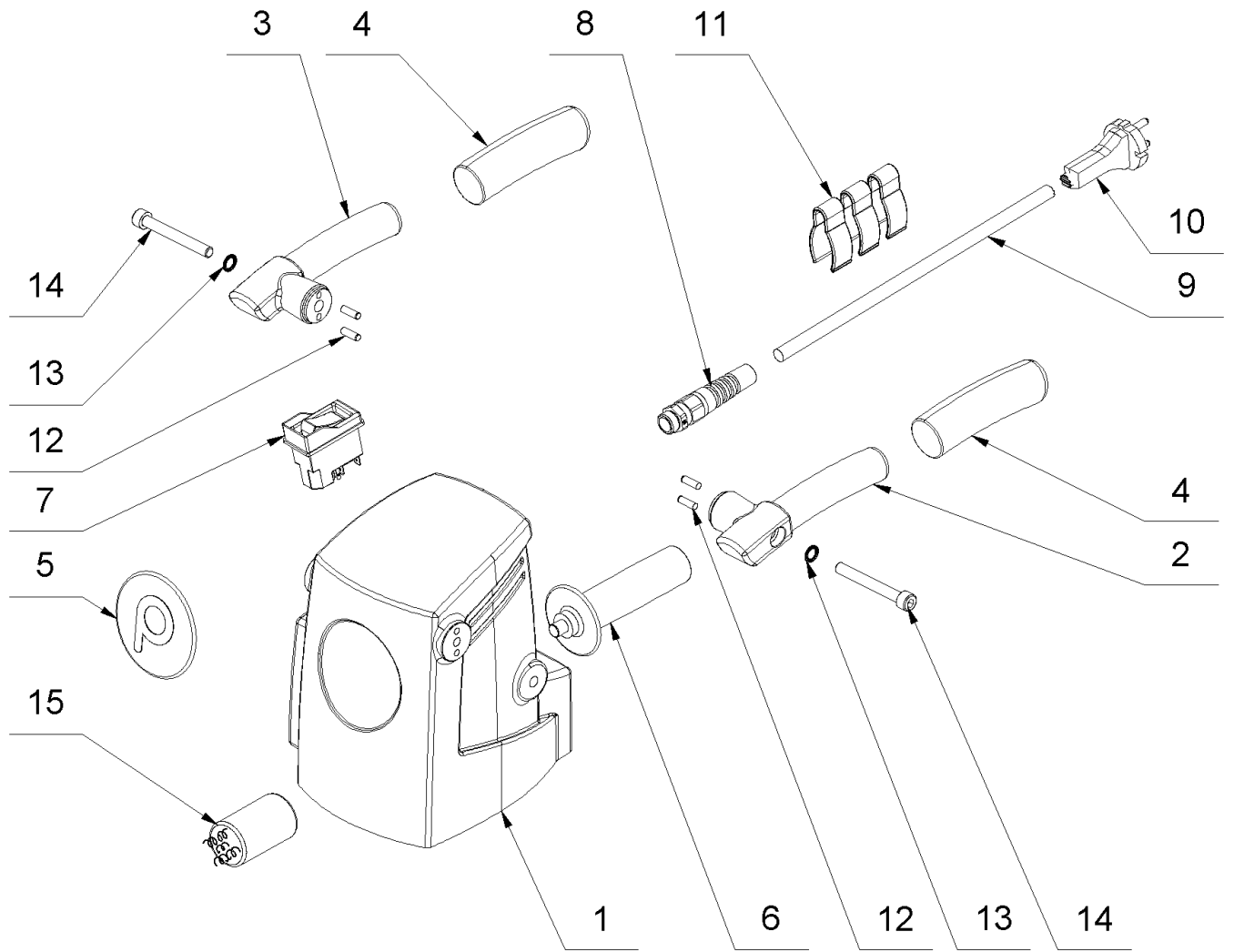
## 4 Pallmann Gecko Star 230V Ø150 (0321/2014-0402/2016)

---

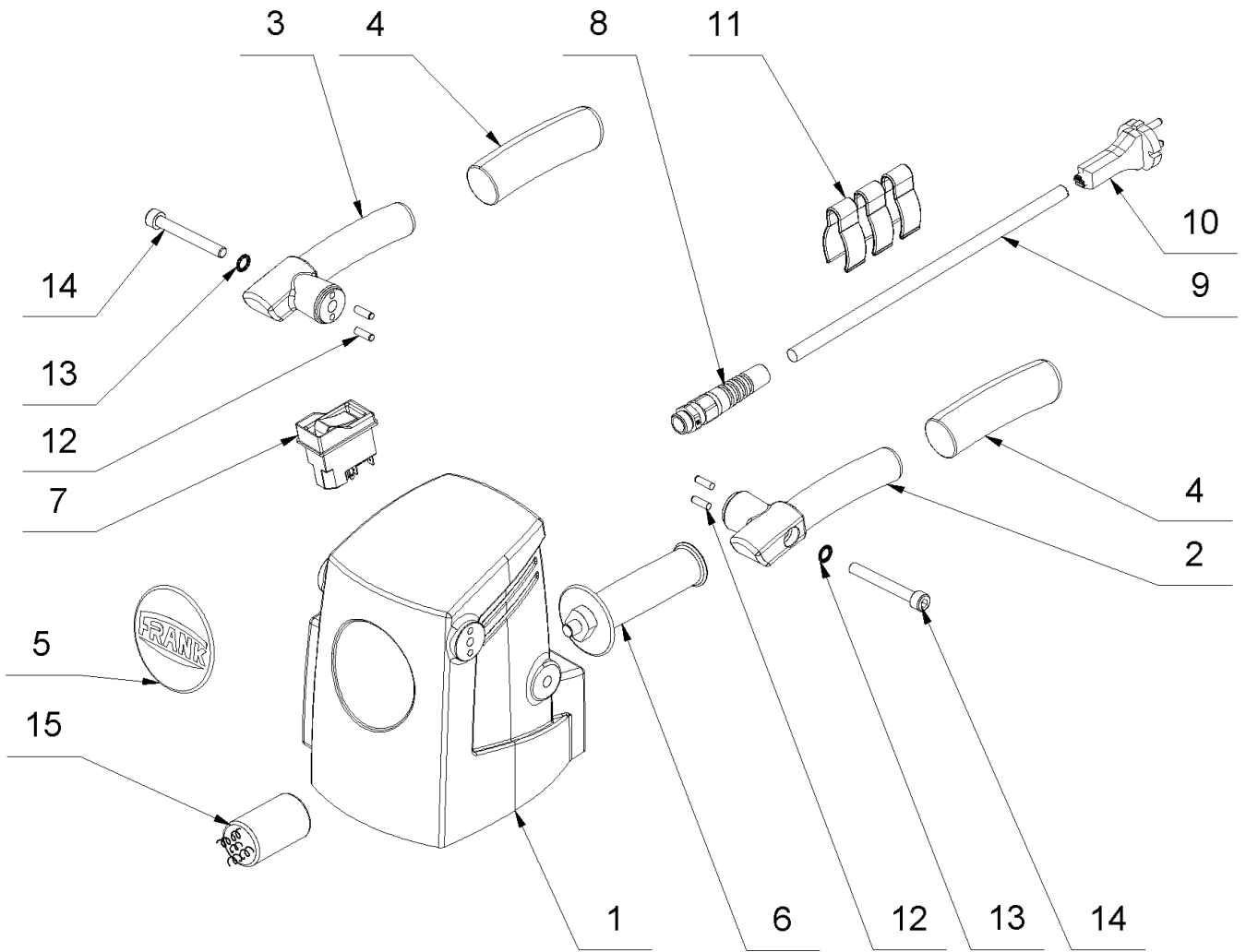
Item no.	Article no.	Description
1	04_01_065818	Cover Motor
2	02_02_065818	Motor
3	04_03_065818	Chassis
4	02_06_065829	Short sanding arm Ø150 mm
5	02_07_065828	Long sanding arm Ø150 mm
6	02_08_070940	Circuit diagram
7	01_09_067311	Tool kit
8	01_10_065818	Accessories

---

# 1 Cover Motor



# 1 Cover Motor

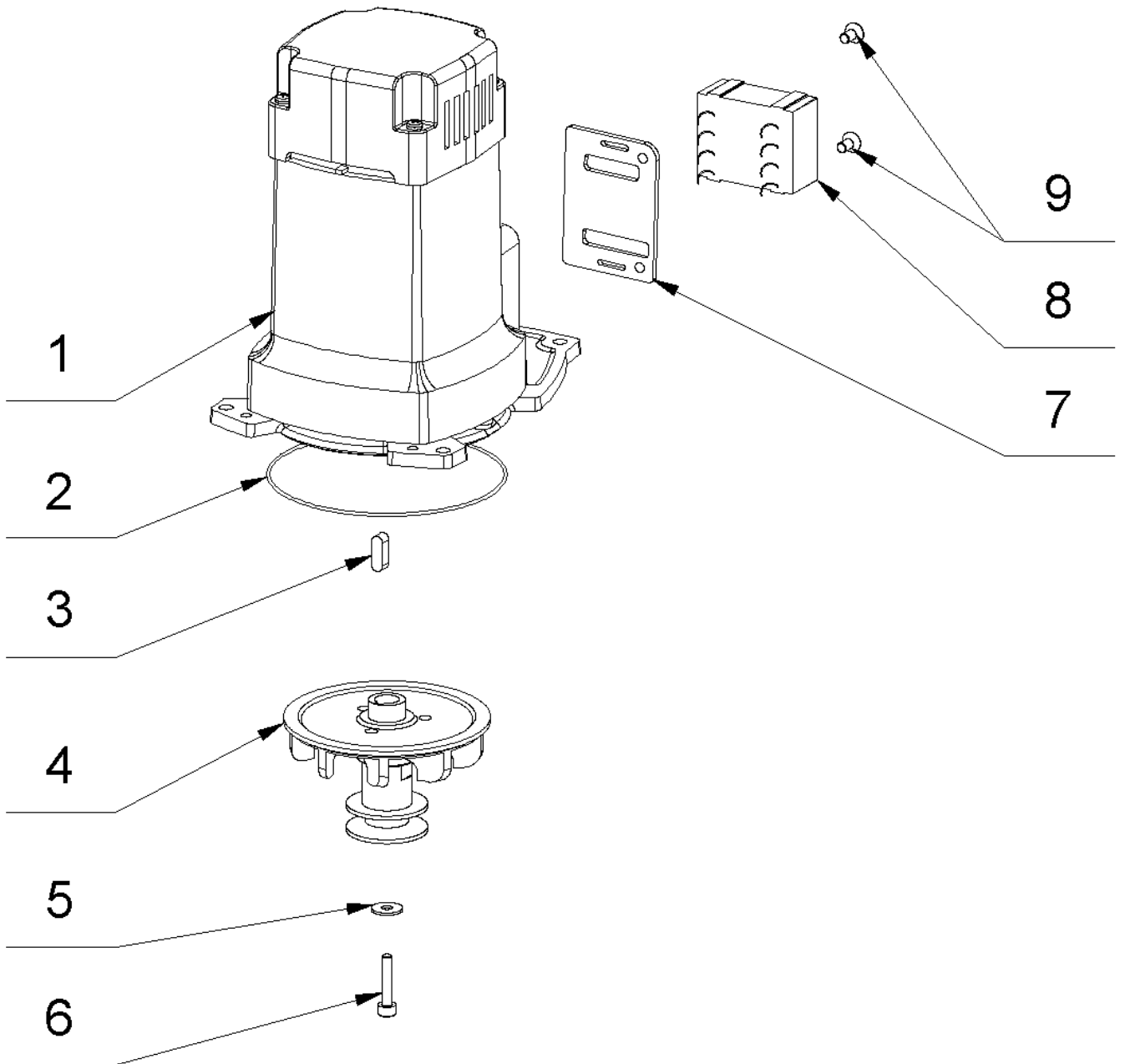




## 1 Cover Motor

Item no.	Article no.	Description	Quantity
1	056569	cover Gecko Star	1
2	081093	Handle left w.grip cover Gecko Star/Pure	1
3	081090	Handle right w.grip cover GeckoStar/Pure	1
4	047310	Grip covering Magura	1
5	129934	Label Pallmann 3D Ø 80mm	1
6	069284	Handle M10x10	1
7	070324	Mounting switch 230V Gecko Star	1
8	038585	Strain relief w.bending prot.M16x1,5	1
9	066665	el.cord 3G1,5x5,0m orange m.Stecker	1
10	019165	Plug 230V 3-polig Switzerland	1
10	019170	Plug 3-pol.230V SK1 UK	1
11	061621	Hose support	3
12	017723	Cylindrical pin 5x 16 DIN 6325	4
13	014860	Schnorr Washer M8	2
14	018251	Cylinder head screw M8x65 DIN 912	2
15	071030	Filter Gecko Star	1

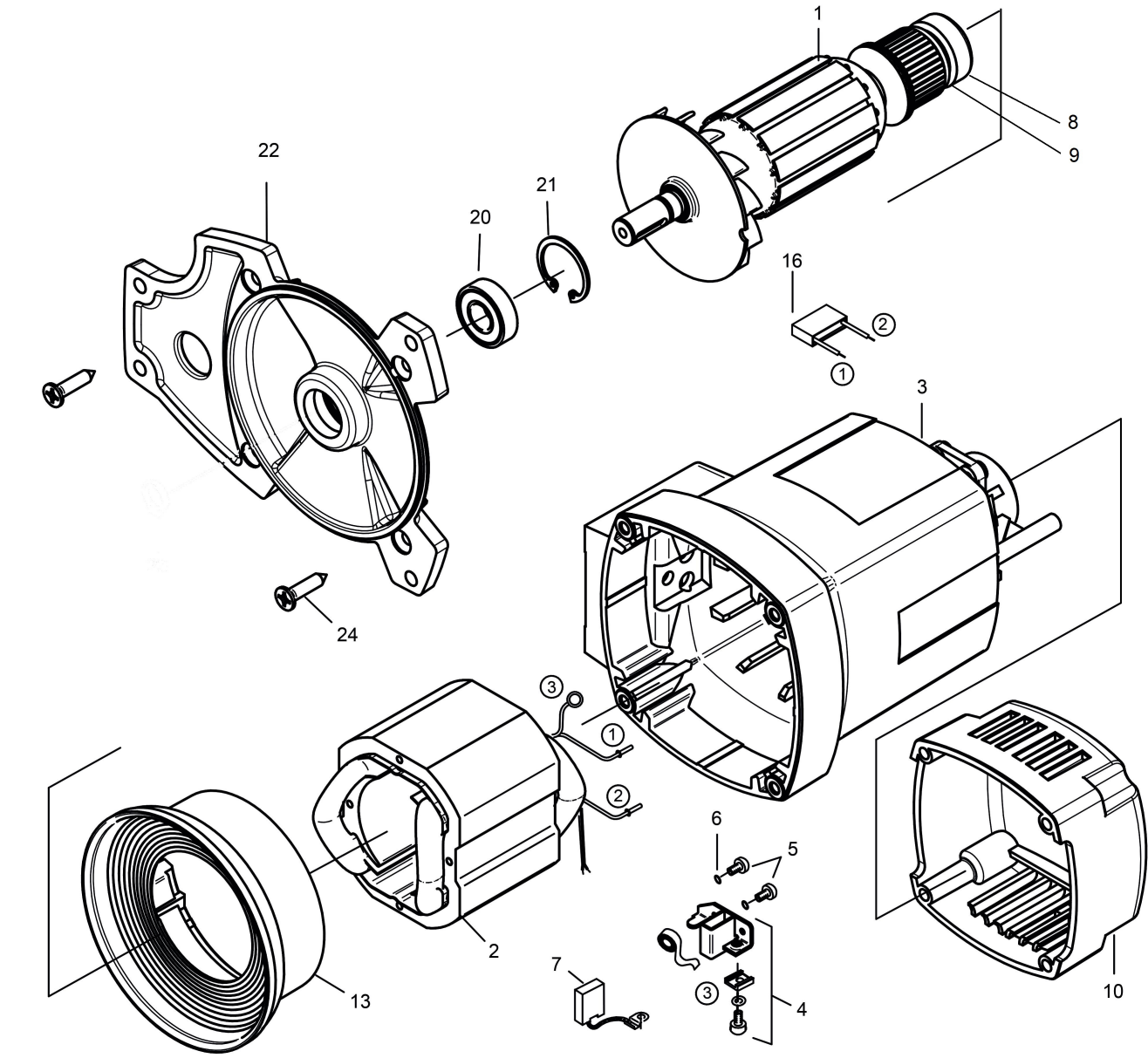
## 2 Motor



## 2 Motor

Item no.	Article no.	Description	Quantity
1	080464	motor cpl.230V/50-60Hz Gecko 2016	1
2	070711	O-Ring 112 x 1,5 - NBR 70	1
3	017731	Parallel key 6x6x18 DIN 6885	1
4	081512	Dust fan complete GeckoStar/Pure	1
5	068640	washer Gecko Star/Pure	1
6	014750	Cylinder head bolt M5x25 DIN 912 microv	1
7	066865	holding plate f.connectiGeckoStar/Pure	1
8	066605	power supply 230V Gecko Star/Pure	1
9	014754	Countersunk screw M5x10 DIN 7991 10.9	2

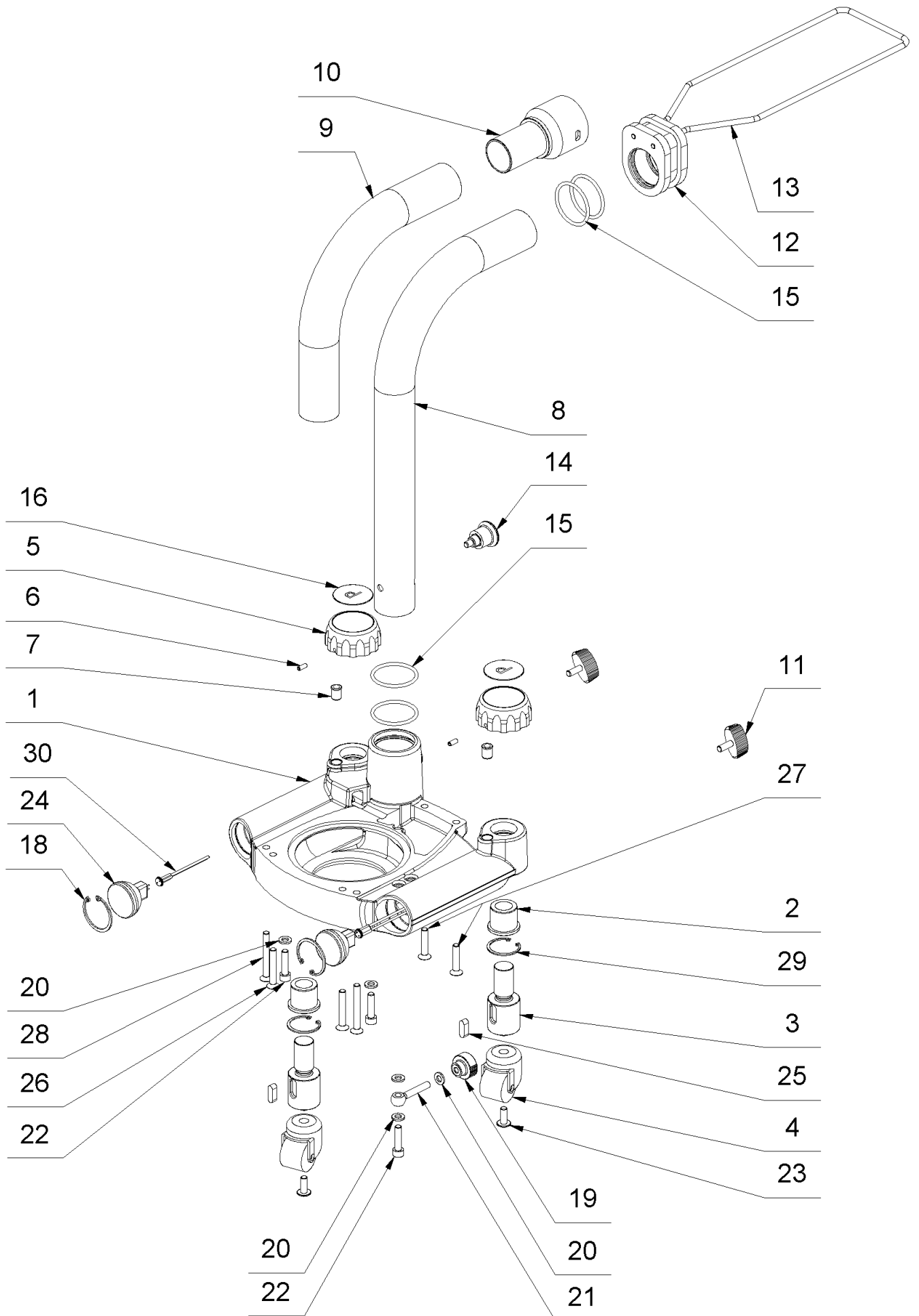
# 1 motor cpl.230V/50-60Hz Gecko 2016



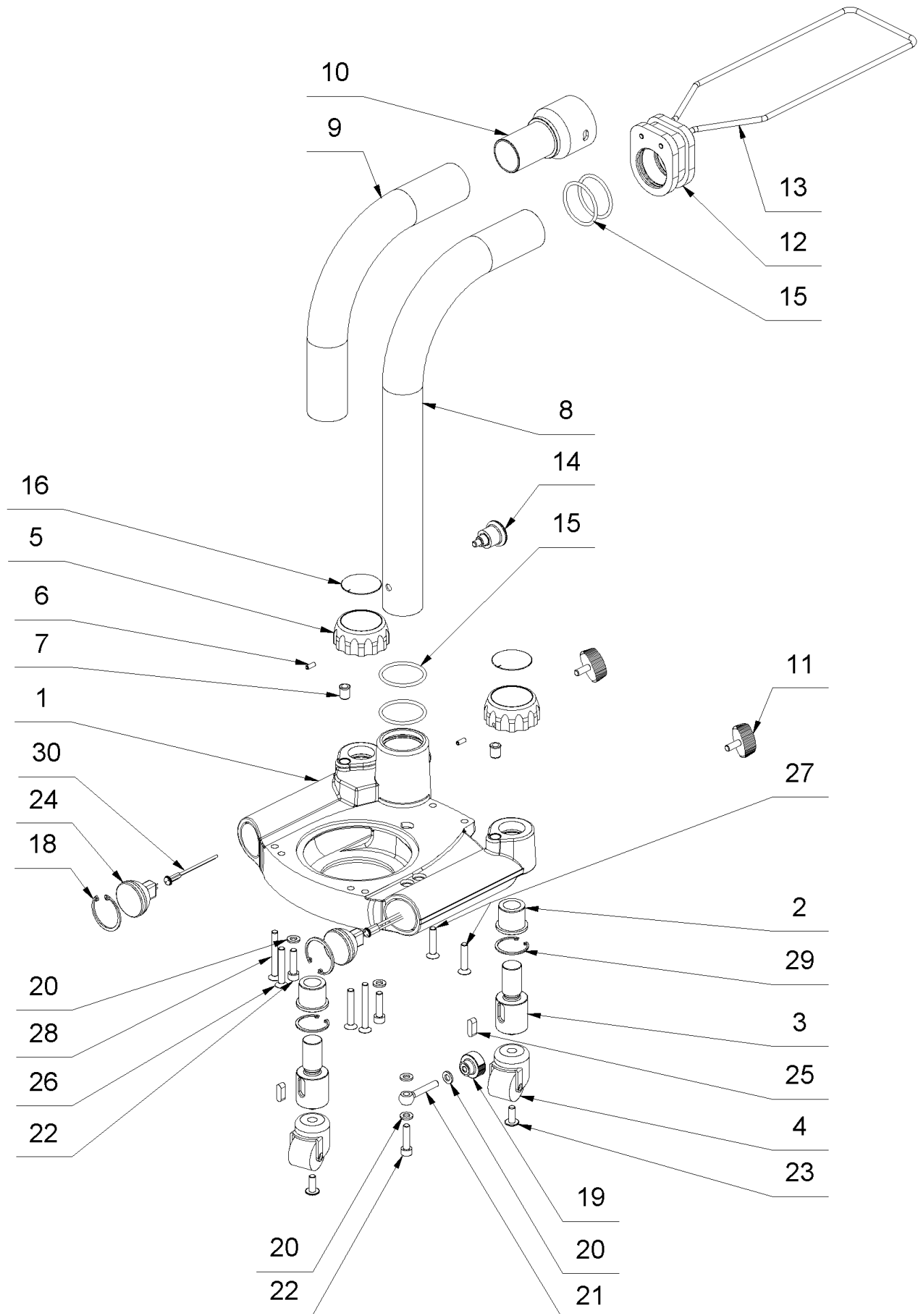
## 1 motor cpl.230V/50-60Hz Gecko 2016

Item no.	Article no.	Description	Quantity
1	081342	Edge runner cpl.230V Gecko Star/Pure2016	1
2	081343	coil ring cpl.230V Gecko Star/Pure 2016	1
3	067195	Motor housing Gecko Star/Pure	1
4	067196	Carbon brush holder Gecko Star/Pure	2
5	067197	Screw ZM 4x12 GeckoStar	4
6	066724	Spring washer B M4 DIN 137	4
7	067199	Carbon brushes 2 pieces Gecko Star/Pure	1
8	077013	Bearing sleeve Gecko Star/Pure	1
9	084411	Ball bearing 6000 2Z C3	1
10	067204	Cap f.Motor housing Gecko Star/Pure	1
13	067214	Air guide ring cpl. Gecko Star/Pure	1
16	018771	Anti-interference capacitor	1
20	083870	Ball bearing 6001 2RSL/C3HT	1
21	017691	Circlip washer I28 DIN 472	1
22	056568	Bearing plate Gecko Star /Pure	1
24	067220	Counter sunk screw 5x25 Gecko Star/Pure	4

### 3 Chassis



### 3 Chassis

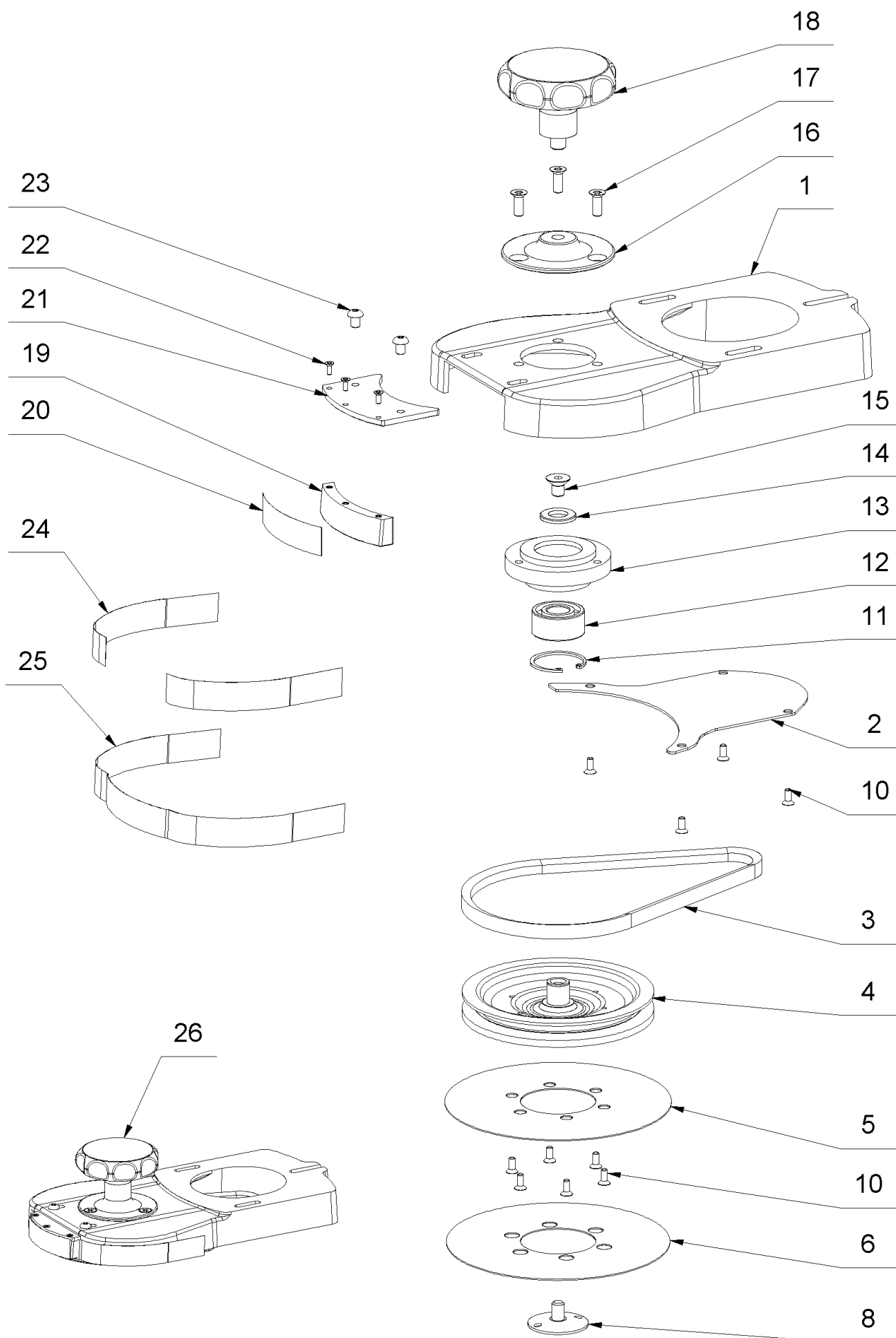


### 3 Chassis

Item no.	Article no.	Description	Quantity
1	056565	Chassis Gecko Star/Pure	1
2	056594	Steep thread nut Gecko Star/Pure	2
3	056595	Steep thread spindle Gecko Star/Pure	2
4	040268	Castor URS New	2
5	056593	Setting Wheel Gecko Star/Pure	2
6	066664	Headless pin M4x10 /DIN 913	2
7	017781	Ball catch	2
8	066310	dust pipe short long Gecko Star/Pure	1
9	066309	Dust pipe short Gecko Star/Pure	1
9	067180	el.cord 3G1,5x5,0m orange o.Stecker	1
10	066218	Sleeve dust pipe Gecko/Dust	1
11	070354	Wing screw GN 531 M6x16	2
12	056592	Flange for Dust Bag Gecko Star/Pure	1
13	066292	Shackle for Dust Bag Gecko Star/Pure	1
14	052440	Arresting bolt	1
15	070634	O-Ring 38,5 x 3,00 - NBR 70	4
16	066604	Scale thumbwheel Gecko Star/Pure	2
18	018091	Circlip I35 DIN472	2
19	077014	Knurled nut M 6 DIN 6303	1
20	014827	Washer M6 DIN 125 A	5
21	048520	Eye screw M 6x40 DIN 444	1
22	066729	Cylinder head screw M 6x 25 ISO 14580	3
23	017552	Lens head screw M 6x16 ISO 7380	2
24	066649	Bulb LED D35 - 12V Gecko Star	2
25	017731	Parallel key 6x6x18 DIN 6885	2
26	056376	Countersunk screw M6x40 DIN 7991 10.9	2
27	017699	Countersunk screw M6x30 DIN 7991 10.9	2
28	066662	Countersunk screw M 6x55 DIN 7991 10.9	2
29	053318	Circlip I30 DIN 472	2
30	066650	socket LED Gecko Star/Pure	2



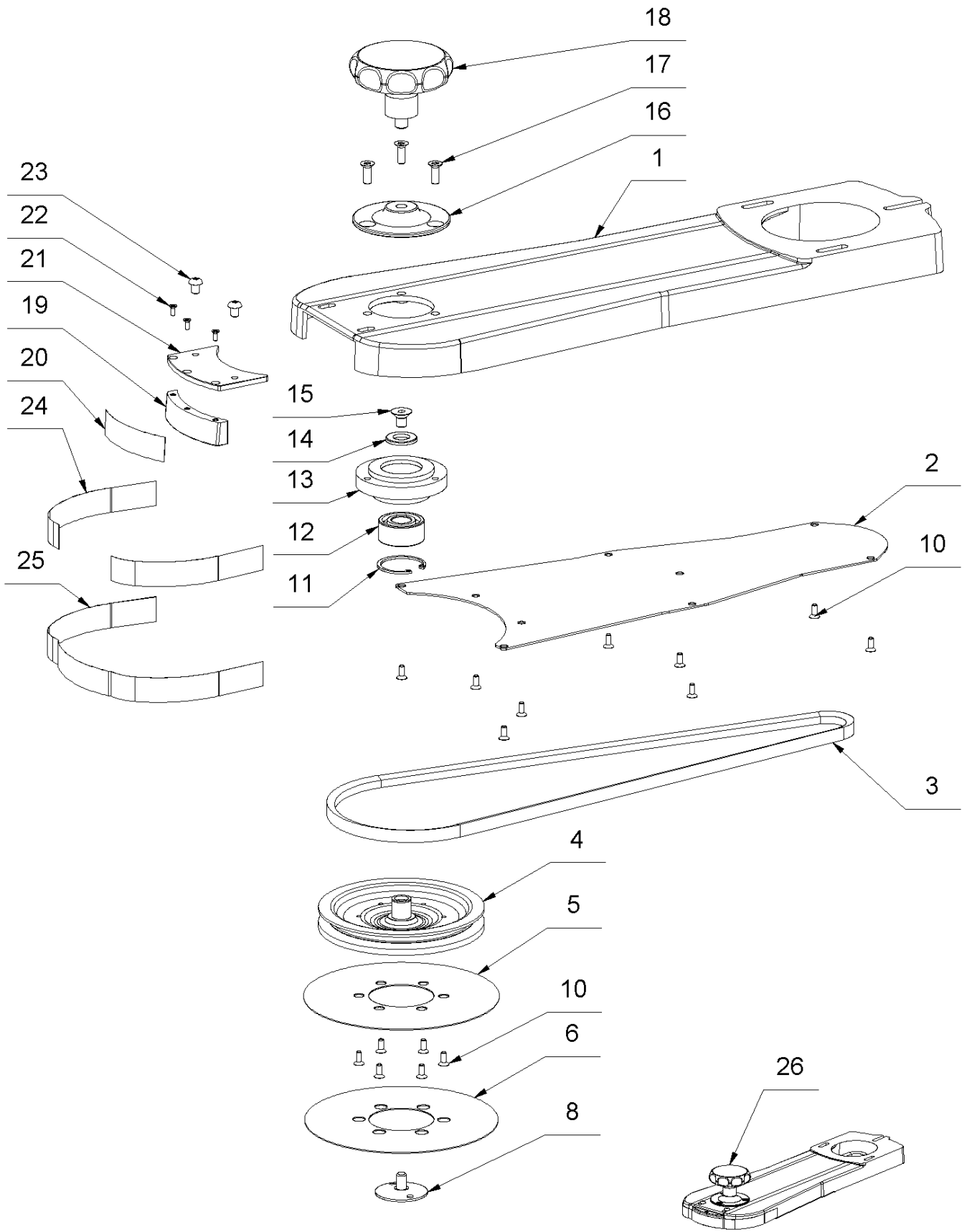
## 4 Short sanding arm Ø150 mm



## 4 Short sanding arm Ø150 mm

Item no.	Article no.	Description	Quantity
1	056572	short sanding arm casing150GeckoStarPure	1
2	066632	cover short Ø150mm Gecko Star/Pure	1
3	066720	v-Belt 10 x 500 mm	1
4	056596	belt pulley d150 Gecko Star/Pure	1
5	016223	150024000Steel disc Gecko	1
6	016222	150012000 Attachment disk d150 Gecko	1
8	061491	Clamping washer Gecko Flex	1
10	066727	Countersunk screw M 4x10 ISO 14581	10
11	018091	Circlip I35 DIN472	1
12	016707	Ball bearing Gecko Star/Pure	1
13	056598	Bearing flange Gecko Star/Pure	1
14	017741	Washer M14 DIN 125	1
15	038423	Counter sunk screw M8x12 DIN 7991 10.9	1
16	066631	Bearing cover Gecko Star/Pure	1
17	066726	Countersunk screw M 6x16 ISO 14581	3
18	066641	Handle cantilever arm Gecko Star/Pure	1
19	066639	Slide bar Gecko Star/Pure	1
20	070986	Velcro tape for gliders	1
21	066640	Adjusting plate Gecko Star/Pure	1
22	066725	Countersunk screw M 3x 8 ISO 14581	3
23	066728	Fillister head screw M6x 8 ISO7380	2
24	070982	Velcro f.Sanding attachment D150	1
25	070987	Velor band f.Sanding attachment D150	1
26	065829	ATTACHMENT CPL.SHORT GECKOSTAR/PURE D150	1

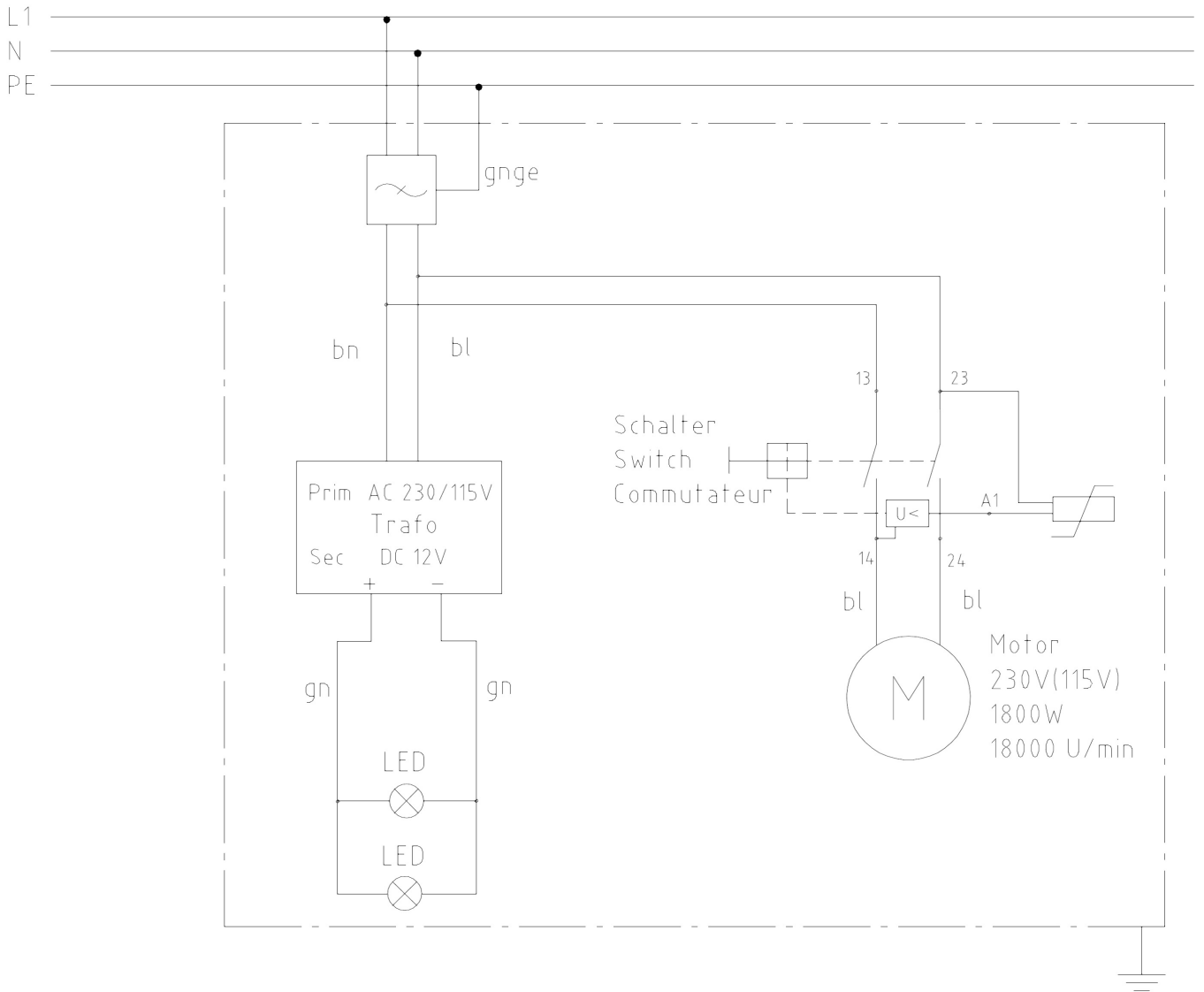
# 5 Long sanding arm Ø150 mm



## 5 Long sanding arm Ø150 mm

Item no.	Article no.	Description	Quantity
1	056570	Long sanding arm casing150 GeckoStarPure	1
2	066633	cover long Ø150mm Gecko Star/Pure	1
3	066717	v-Belt X10 x 1000 mm	1
4	056596	belt pulley d150 Gecko Star/Pure	1
5	016223	150024000Steel disc Gecko	1
6	016222	150012000 Attachment disk d150 Gecko	1
8	061491	Clamping washer Gecko Flex	1
10	066727	Countersunk screw M 4x10 ISO 14581	15
11	018091	Circlip I35 DIN472	1
12	016707	Ball bearing Gecko Star/Pure	1
13	056598	Bearing flange Gecko Star/Pure	1
14	017741	Washer M14 DIN 125	1
15	038423	Counter sunk screw M8x12 DIN 7991 10.9	1
16	066631	Bearing cover Gecko Star/Pure	1
17	066726	Countersunk screw M 6x16 ISO 14581	3
18	066641	Handle cantilever arm Gecko Star/Pure	1
19	066639	Slide bar Gecko Star/Pure	1
20	070986	Velcro tape for gliders	1
21	066640	Adjusting plate Gecko Star/Pure	1
22	066725	Countersunk screw M 3x 8 ISO 14581	3
23	066728	Fillister head screw M6x 8 ISO7380	2
24	070982	Velcro f.Sanding attachment D150	1
25	070987	Velor band f.Sanding attachment D150	1
26	065828	ATTACHMENT CPL.LONG GECKO STAR/PURE D150	1

## 6 Circuit diagram



## 6 Circuit diagram

---

## 7 Tool kit

---

Item no.	Article no.	Description	Quantity
1	067311	tool set Gecko Star/Pure	1
2	015315	Hearing protectors	1
3	016732	Fine dust mask Gecko/URS/Cobra	1
4	066603	DUST BAG GECKO STAR/PURE PALLMANN	1

## 1 tool set Gecko Star/Pure

---

Item no.	Article no.	Description	Quantity
1	067309	Screw driver 1/4"	1
2	067310	Bit Box equipped SEE 169425	1
3	016725	Tool pocket empty	1
4	018642	Twin hole spanner DIN3116-SW30-4mm	1
5	083824	Hexagon socket wrench 13 mm	1

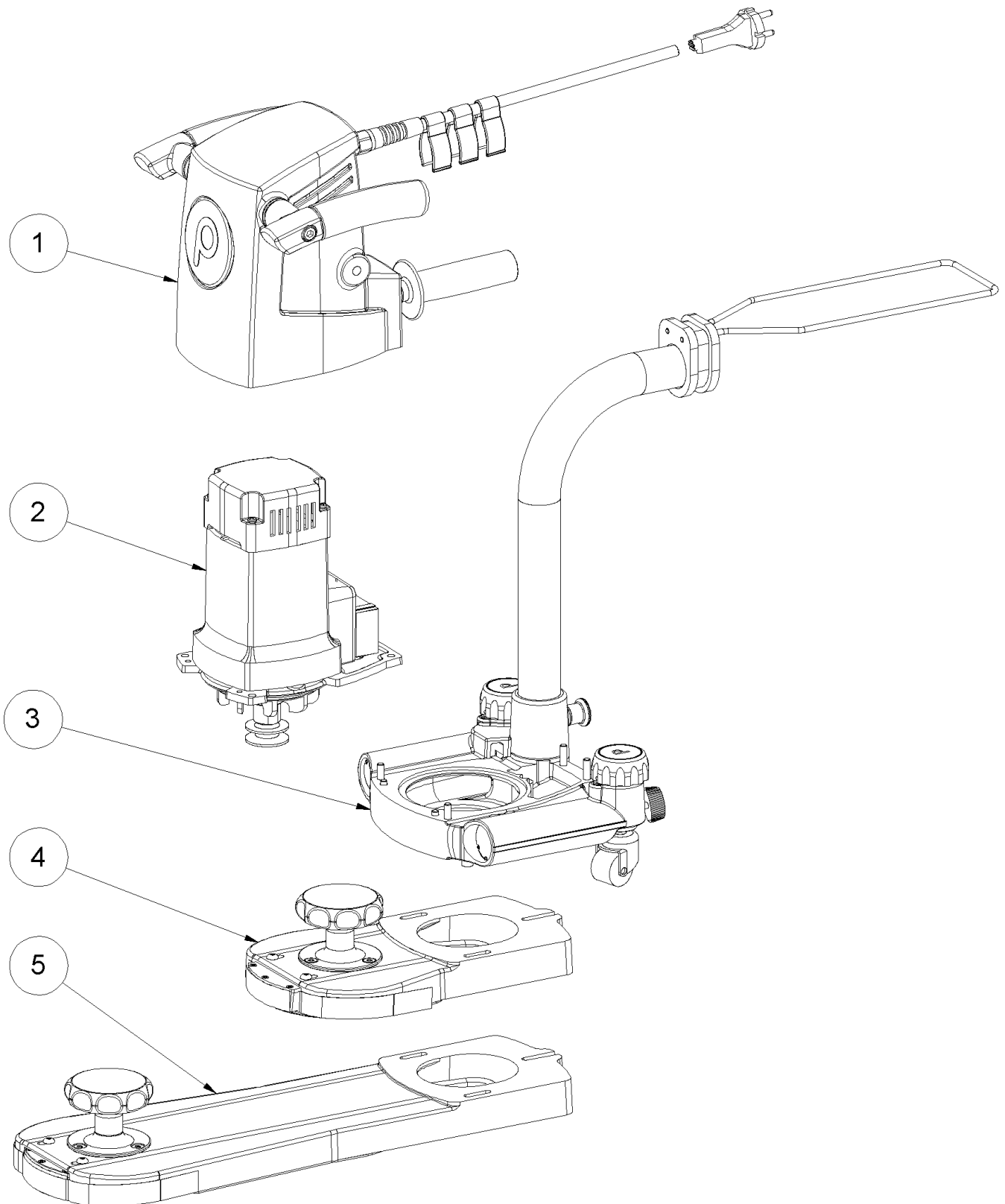


## 8 Accessories

---

Item no.	Article no.	Description	Quantity
5	016222	150012000 Attachment disk d150 Gecko	1
6	073274	VELCRO DISC BETWEEN D 150 MM	1
7	066720	v-Belt 10 x 500 mm	1
8	066717	v-Belt X10 x 1000 mm	1

## 5 Pallmann Gecko Star 230V Ø150 (0403/2016-0439/2016)



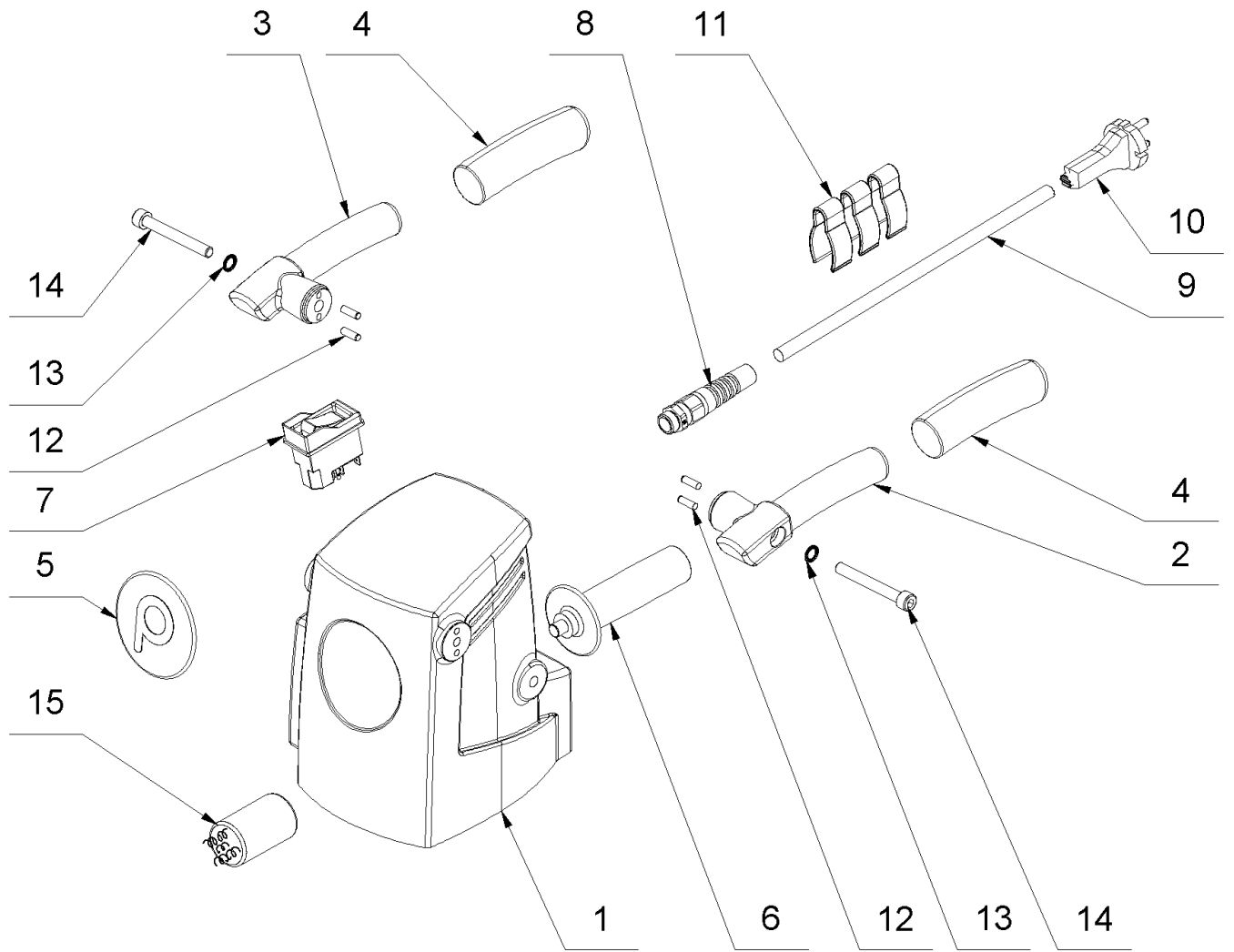
## 5 Pallmann Gecko Star 230V Ø150 (0403/2016-0439/2016)

---

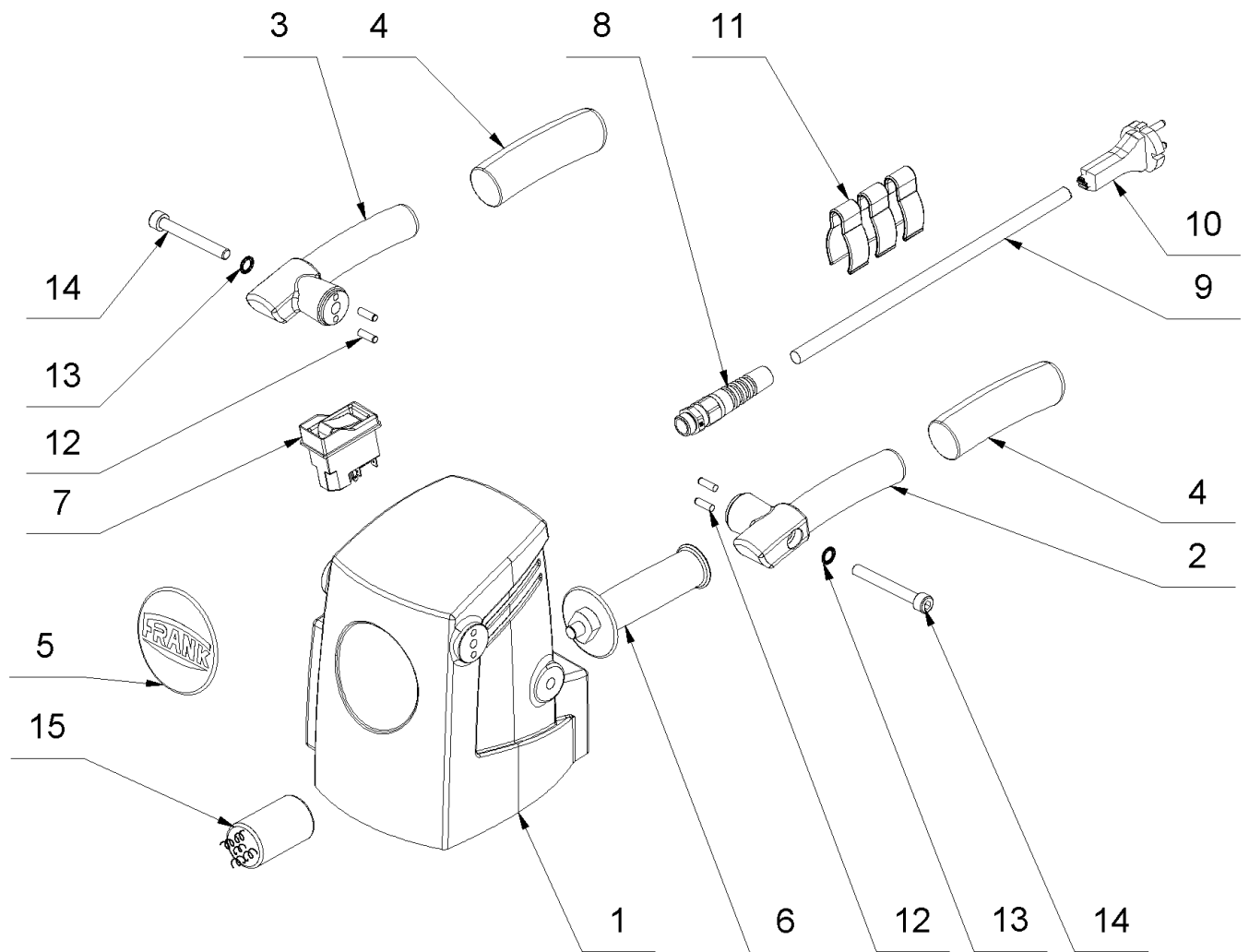
Item no.	Article no.	Description
1	04_01_065818	Cover Motor
2	05_02_065818	Motor
3	05_03_065818	Chassis
4	02_06_065829	Short sanding arm Ø150 mm
5	02_07_065828	Long sanding arm Ø150 mm
6	02_08_070940	Circuit diagram
7	01_09_067311	Tool kit
8	01_10_065818	Accessories

---

# 1 Cover Motor



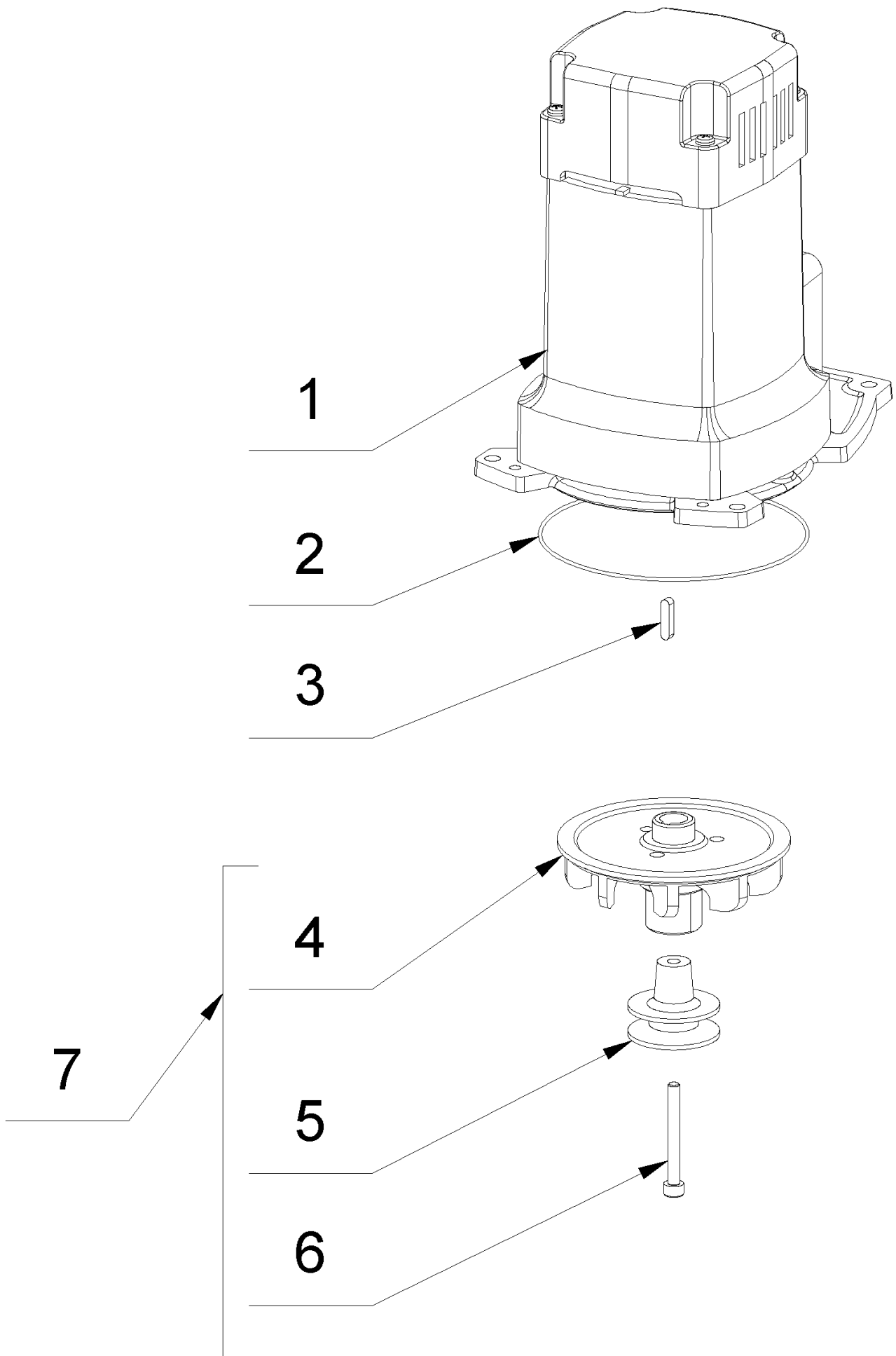
# 1 Cover Motor



## 1 Cover Motor

Item no.	Article no.	Description	Quantity
1	056569	cover Gecko Star	1
2	081093	Handle left w.grip cover Gecko Star/Pure	1
3	081090	Handle right w.grip cover GeckoStar/Pure	1
4	047310	Grip covering Magura	1
5	129934	Label Pallmann 3D Ø 80mm	1
6	015396	Handle f. carpet stripe cutter SEE069284	1
7	014695	On/Off switch 230V/50Hz	1
8	038585	Strain relief w.bending prot.M16x1,5	1
9	066665	el.cord 3G1,5x5,0m orange m.Stecker	1
9	016758	el.cord 3G1,5x10m orange w.plug	1
9	067180	el.cord 3G1,5x5,0m orange o.Stecker	1
10	019165	Plug 230V 3-polig Switzerland	1
10	019170	Plug 3-pol.230V SK1 UK	1
10	039203	Plug grey	1
11	061621	Hose support	3
12	017723	Cylindrical pin 5x 16 DIN 6325	4
13	014860	Schnorr Washer M8	2
14	018251	Cylinder head screw M8x65 DIN 912	2
15	071030	Filter Gecko Star	1

## 2 Motor

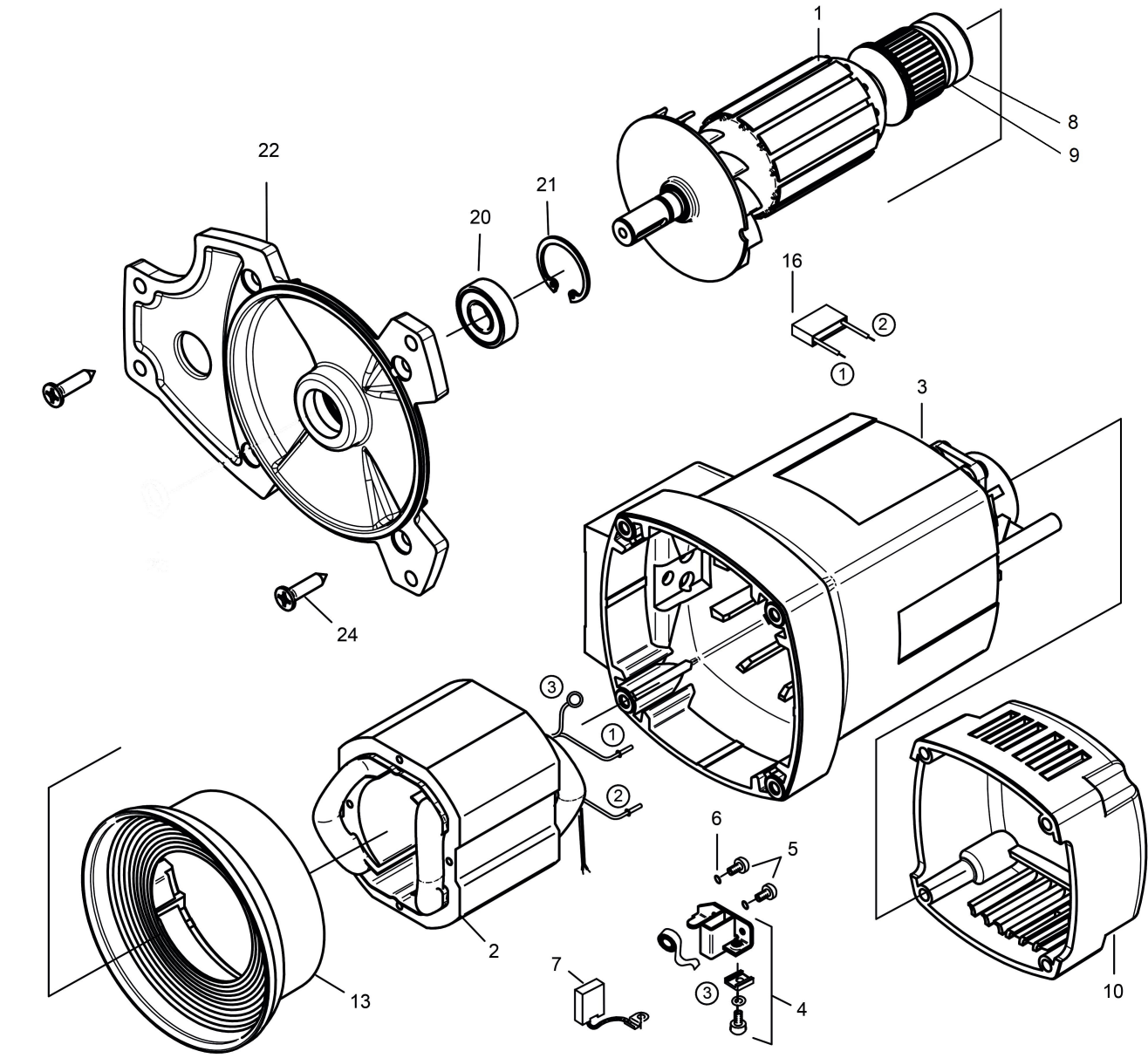


## 2 Motor

Item no.	Article no.	Description	Quantity
1	080464	motor cpl.230V/50-60Hz Gecko 2016	1
2	056533	Sealing set cover right 51/19cm	1
3	014900	Parallel key 4x4x18 DIN 6885	1
4	080204	Dust fan w.axle GeckoStar/Pure	1
5	079921	Motor pulley conus Gecko Star/Pure	1
6	060220	Cylinder head screw M5x45 10.9 micro	1
7	081512	Dust fan complete GeckoStar/Pure	1



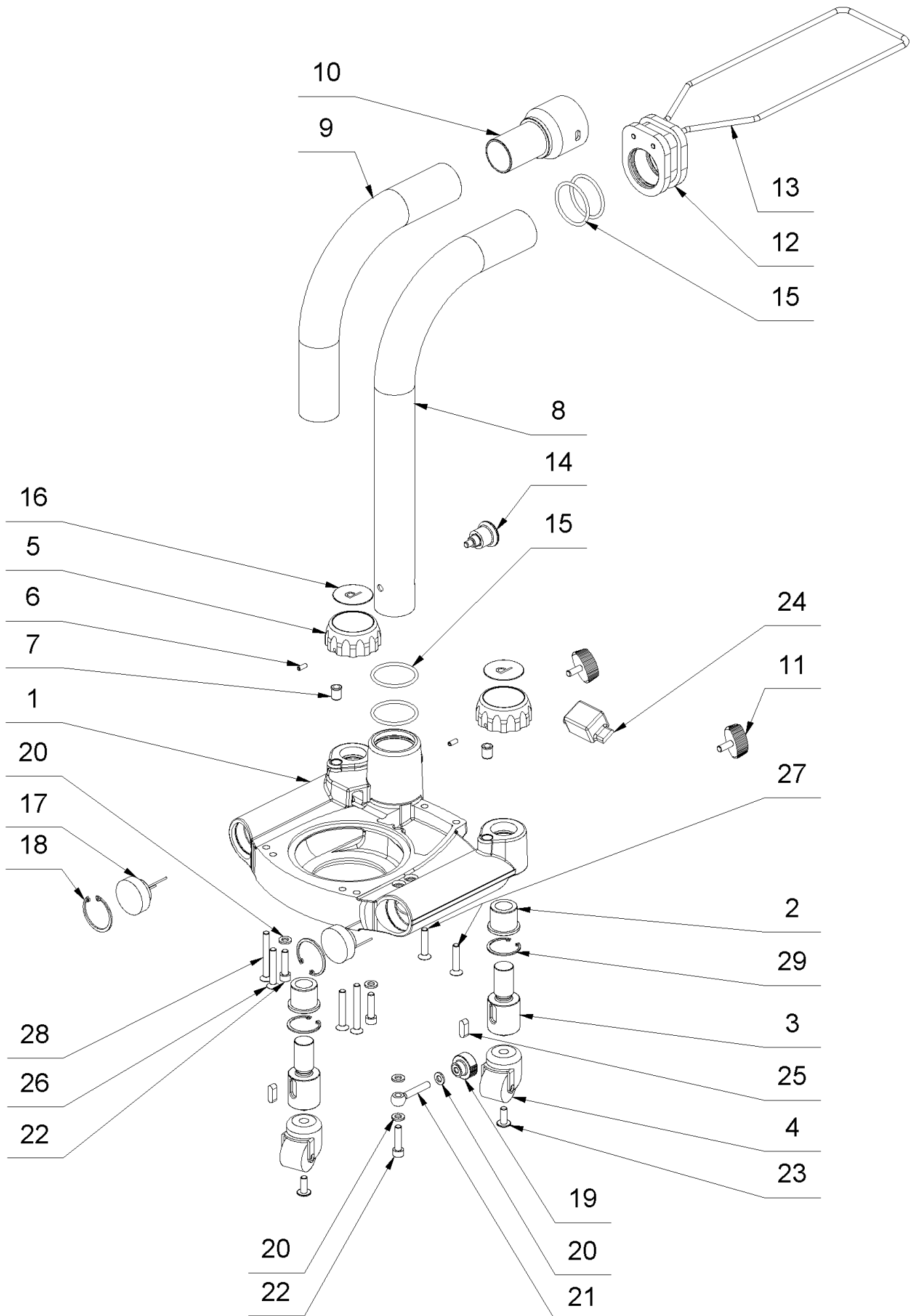
# 1 motor cpl.230V/50-60Hz Gecko 2016



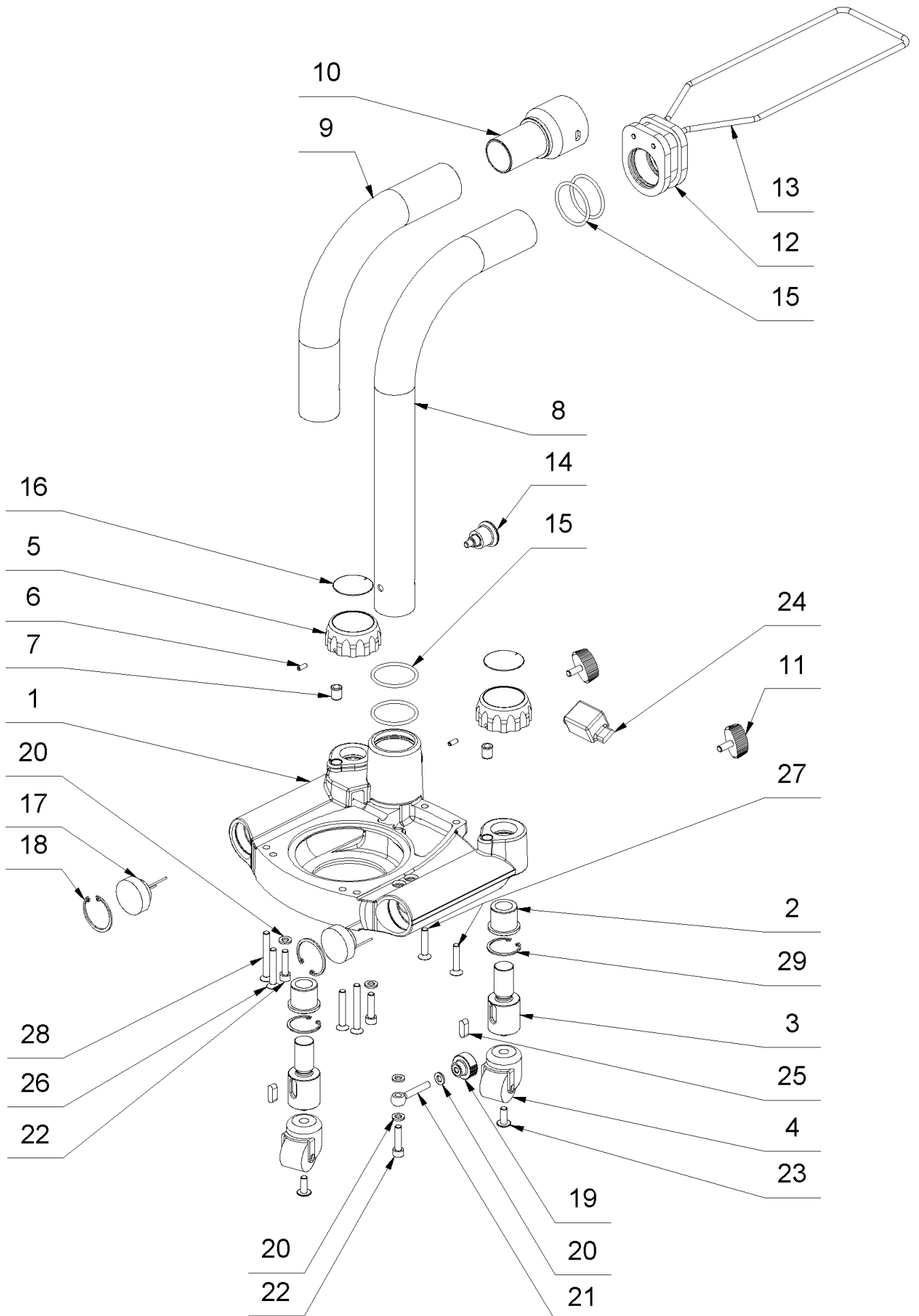
## 1 motor cpl.230V/50-60Hz Gecko 2016

Item no.	Article no.	Description	Quantity
1	081342	Edge runner cpl.230V Gecko Star/Pure2016	1
2	081343	coil ring cpl.230V Gecko Star/Pure 2016	1
3	067195	Motor housing Gecko Star/Pure	1
4	067196	Carbon brush holder Gecko Star/Pure	2
5	067197	Screw ZM 4x12 GeckoStar	4
6	066724	Spring washer B M4 DIN 137	4
7	067199	Carbon brushes 2 pieces Gecko Star/Pure	1
8	077013	Bearing sleeve Gecko Star/Pure	1
9	084411	Ball bearing 6000 2Z C3	1
10	067204	Cap f.Motor housing Gecko Star/Pure	1
13	067214	Air guide ring cpl. Gecko Star/Pure	1
16	018771	Anti-interference capacitor	1
20	083870	Ball bearing 6001 2RSL/C3HT	1
21	017691	Circlip washer I28 DIN 472	1
22	056568	Bearing plate Gecko Star /Pure	1
24	067220	Counter sunk screw 5x25 Gecko Star/Pure	4

### 3 Chassis



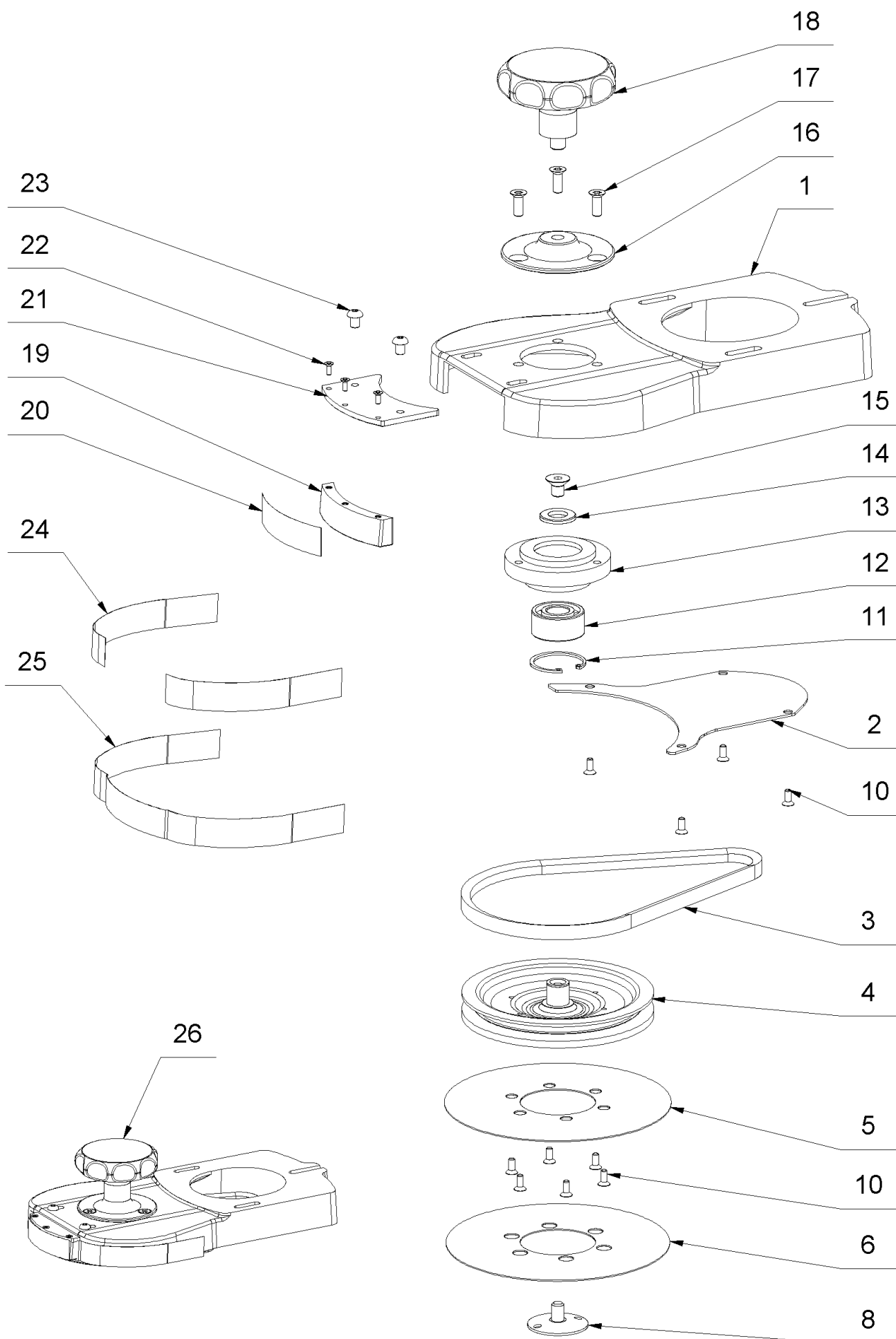
### 3 Chassis



### 3 Chassis

Item no.	Article no.	Description	Quantity
1	056565	Chassis Gecko Star/Pure	1
2	056594	Steep thread nut Gecko Star/Pure	2
3	056595	Steep thread spindle Gecko Star/Pure	2
4	040268	Castor URS New	2
5	056593	Setting Wheel Gecko Star/Pure	2
6	066664	Headless pin M4x10 /DIN 913	2
7	017781	Ball catch	2
8	066310	dust pipe short long Gecko Star/Pure	1
9	066309	Dust pipe short Gecko Star/Pure	1
10	066218	Sleeve dust pipe Gecko/Dust	1
11	070354	Wing screw GN 531 M6x16	2
12	056592	Flange for Dust Bag Gecko Star/Pure	1
13	066292	Shackle for Dust Bag Gecko Star/Pure	1
14	052440	Arresting bolt	1
15	070634	O-Ring 38,5 x 3,00 - NBR 70	4
16	066604	Scale thumbwheel Gecko Star/Pure	2
17	081103	LED-Spot Gecko Star	2
18	018091	Circlip I35 DIN472	2
19	077014	Knurled nut M 6 DIN 6303	1
20	014827	Washer M6 DIN 125 A	5
21	048520	Eye screw M 6x40 DIN 444	1
22	066729	Cylinder head screw M 6x 25 ISO 14580	3
23	017552	Lens head screw M 6x16 ISO 7380	2
24	081104	Power supply Gecko Star	1
25	017731	Parallel key 6x6x18 DIN 6885	2
26	056376	Countersunk screw M6x40 DIN 7991 10.9	2
27	017699	Countersunk screw M6x30 DIN 7991 10.9	2
28	066662	Countersunk screw M 6x55 DIN 7991 10.9	2
29	053318	Circlip I30 DIN 472	2

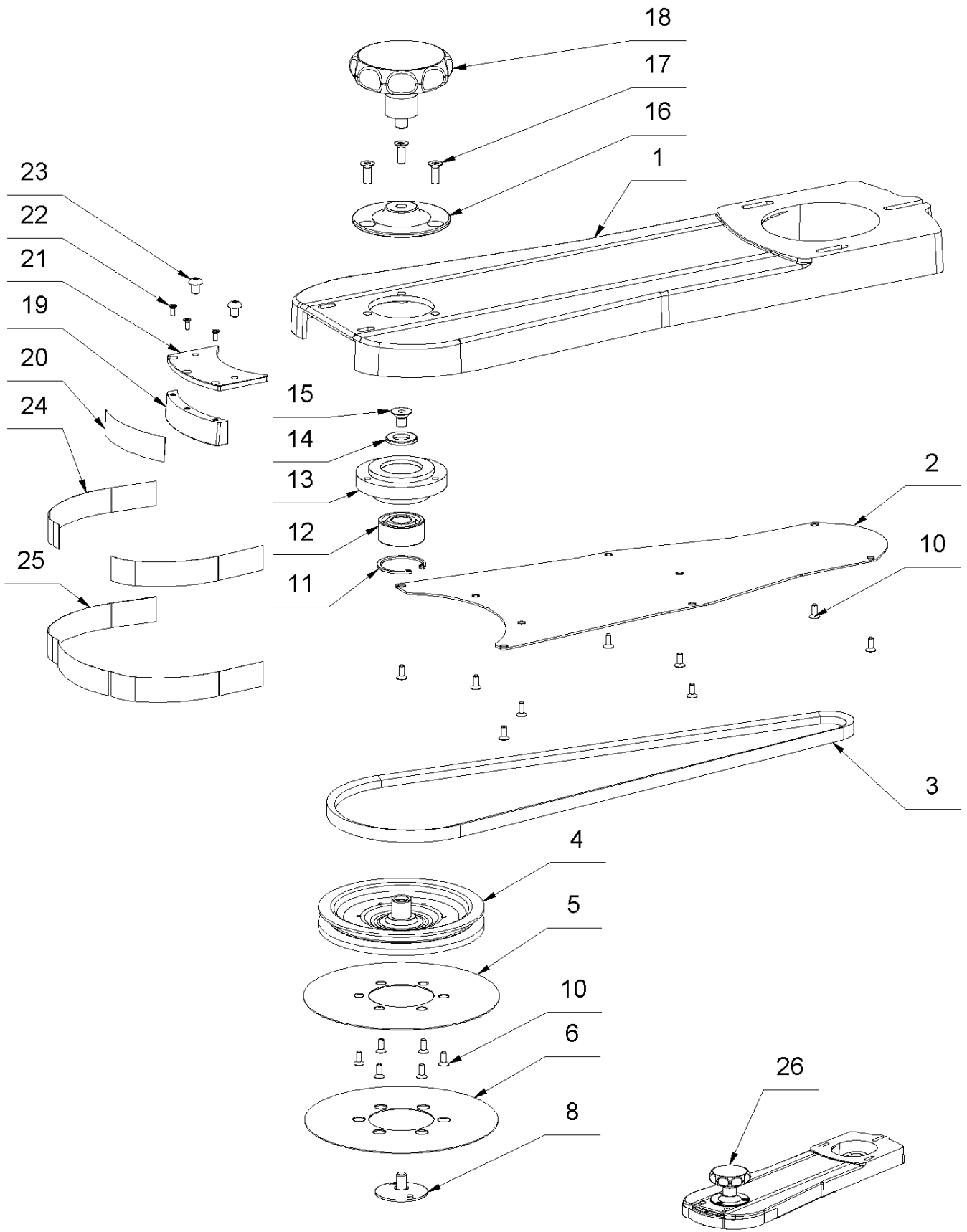
## 4 Short sanding arm Ø150 mm



## 4 Short sanding arm Ø150 mm

Item no.	Article no.	Description	Quantity
1	056572	short sanding arm casing150GeckoStarPure	1
2	066632	cover short Ø150mm Gecko Star/Pure	1
3	066720	v-Belt 10 x 500 mm	1
4	056596	belt pulley d150 Gecko Star/Pure	1
5	016223	150024000Steel disc Gecko	1
6	016222	150012000 Attachment disk d150 Gecko	1
8	061491	Clamping washer Gecko Flex	1
10	066727	Countersunk screw M 4x10 ISO 14581	10
11	018091	Circlip I35 DIN472	1
12	016707	Ball bearing Gecko Star/Pure	1
13	056598	Bearing flange Gecko Star/Pure	1
14	017741	Washer M14 DIN 125	1
15	038423	Counter sunk screw M8x12 DIN 7991 10.9	1
16	066631	Bearing cover Gecko Star/Pure	1
17	066726	Countersunk screw M 6x16 ISO 14581	3
18	066641	Handle cantilever arm Gecko Star/Pure	1
19	066639	Slide bar Gecko Star/Pure	1
20	070986	Velcro tape for gliders	1
21	066640	Adjusting plate Gecko Star/Pure	1
22	066725	Countersunk screw M 3x 8 ISO 14581	3
23	066728	Fillister head screw M6x 8 ISO7380	2
24	070982	Velcro f.Sanding attachment D150	1
25	070987	Velor band f.Sanding attachment D150	1
26	065829	ATTACHMENT CPL.SHORT GECKOSTAR/PURE D150	1

# 5 Long sanding arm Ø150 mm

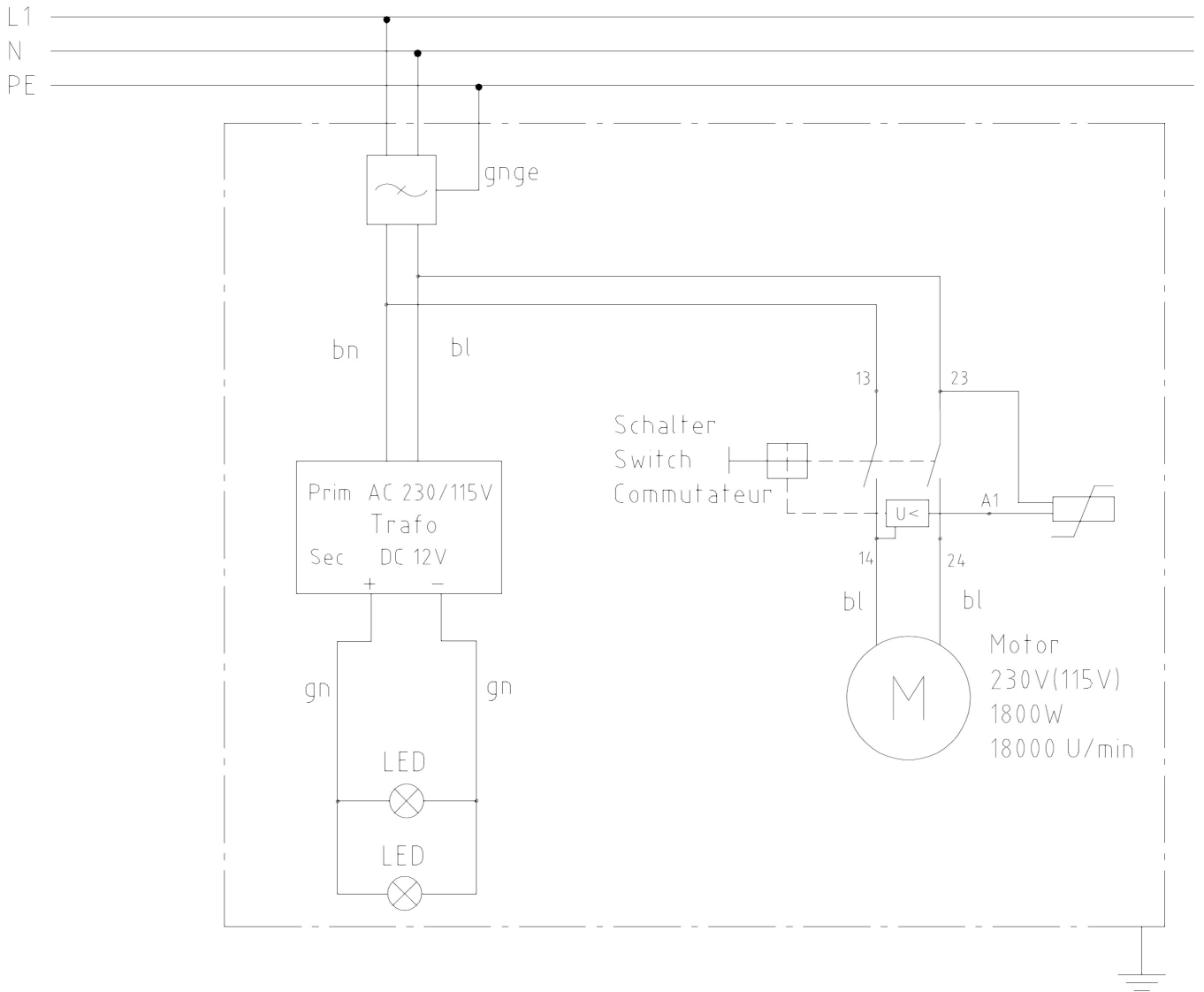




## 5 Long sanding arm Ø150 mm

Item no.	Article no.	Description	Quantity
1	056570	Long sanding arm casing150 GeckoStarPure	1
2	066633	cover long Ø150mm Gecko Star/Pure	1
3	066717	v-Belt X10 x 1000 mm	1
4	056596	belt pulley d150 Gecko Star/Pure	1
5	016223	150024000Steel disc Gecko	1
6	016222	150012000 Attachment disk d150 Gecko	1
8	061491	Clamping washer Gecko Flex	1
10	066727	Countersunk screw M 4x10 ISO 14581	15
11	018091	Circlip I35 DIN472	1
12	016707	Ball bearing Gecko Star/Pure	1
13	056598	Bearing flange Gecko Star/Pure	1
14	017741	Washer M14 DIN 125	1
15	038423	Counter sunk screw M8x12 DIN 7991 10.9	1
16	066631	Bearing cover Gecko Star/Pure	1
17	066726	Countersunk screw M 6x16 ISO 14581	3
18	066641	Handle cantilever arm Gecko Star/Pure	1
19	066639	Slide bar Gecko Star/Pure	1
20	070986	Velcro tape for gliders	1
21	066640	Adjusting plate Gecko Star/Pure	1
22	066725	Countersunk screw M 3x 8 ISO 14581	3
23	066728	Fillister head screw M6x 8 ISO7380	2
24	070982	Velcro f.Sanding attachment D150	1
25	070987	Velor band f.Sanding attachment D150	1
26	065828	ATTACHMENT CPL.LONG GECKO STAR/PURE D150	1

## 6 Circuit diagram



## 6 Circuit diagram

---

## 7 Tool kit

---

Item no.	Article no.	Description	Quantity
1	067311	tool set Gecko Star/Pure	1
2	015315	Hearing protectors	1
3	016732	Fine dust mask Gecko/URS/Cobra	1
4	066603	DUST BAG GECKO STAR/PURE PALLMANN	1

## 1 tool set Gecko Star/Pure

---

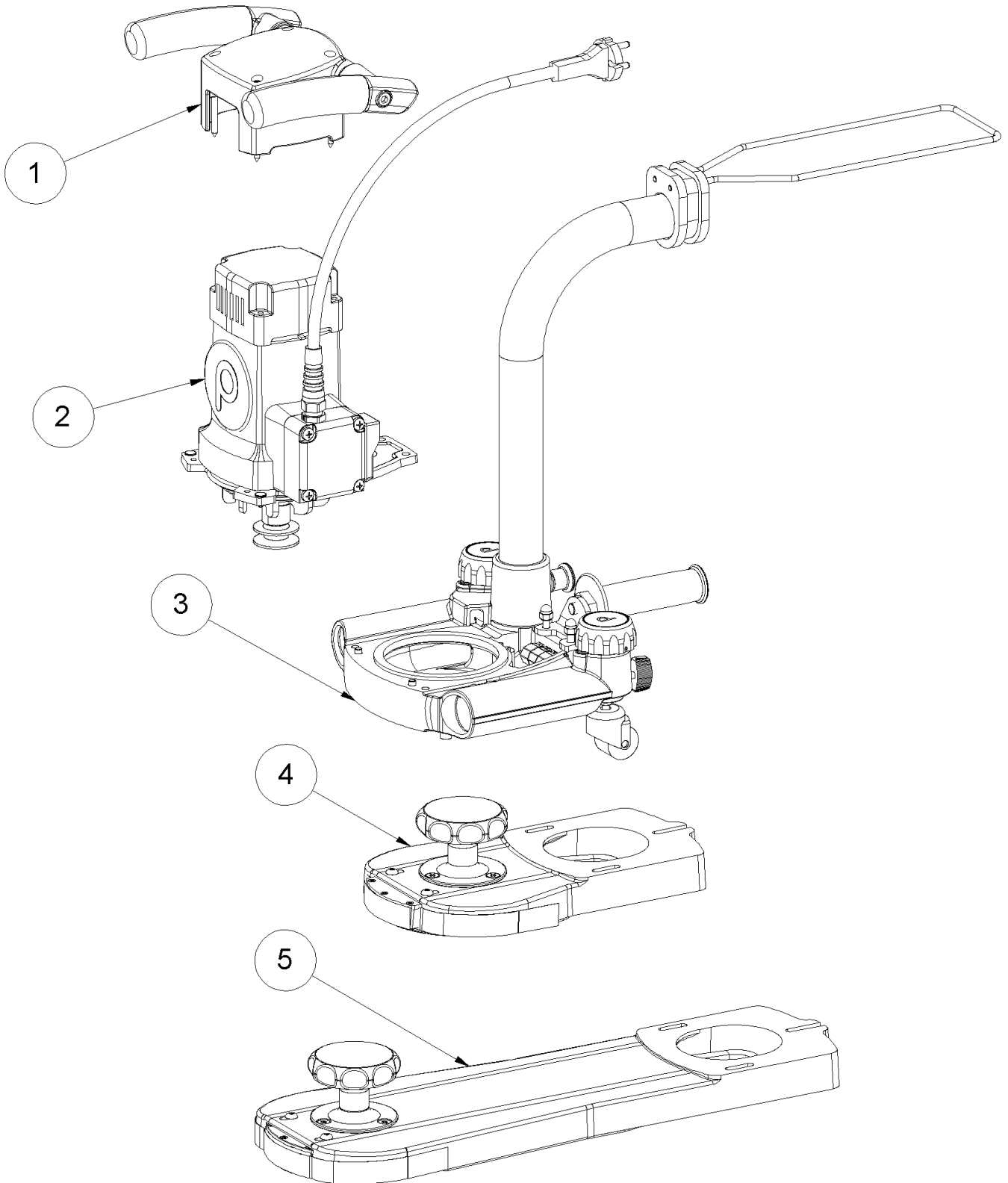
Item no.	Article no.	Description	Quantity
1	067309	Screw driver 1/4"	1
2	067310	Bit Box equipped SEE 169425	1
3	016725	Tool pocket empty	1
4	018642	Twin hole spanner DIN3116-SW30-4mm	1
5	083824	Hexagon socket wrench 13 mm	1

## 8 Accessories

---

Item no.	Article no.	Description	Quantity
1	016222	150012000 Attachment disk d150 Gecko	1
2	073274	VELCRO DISC BETWEEN D 150 MM	1
3	066720	v-Belt 10 x 500 mm	1
4	066717	v-Belt X10 x 1000 mm	1

# 1 Pallmann Gecko Star 2.0 230V Ø150 (0440/2017- 0682/2020)

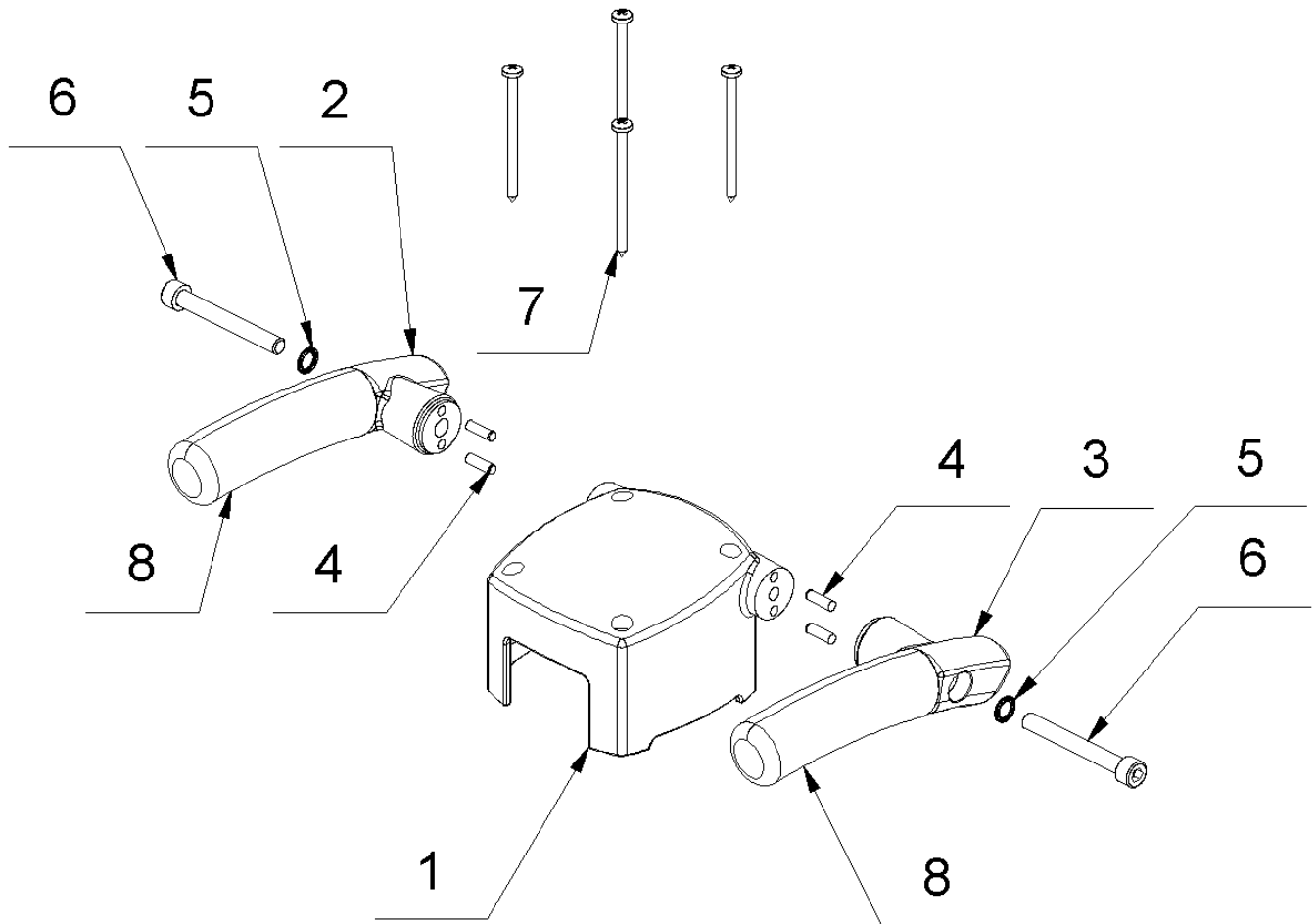


## **1 Pallmann Gecko Star 2.0 230V Ø150 (0440/2017- 0682/2020)**

<b>Item no.</b>	<b>Article no.</b>	<b>Description</b>
1	01_01_067301	Cover Motor
2	01_02_082729	Motor
3	01_03_082729	Chassis
4	03_06_065829	Short sanding arm Ø150 mm
5	03_07_065828	Long sanding arm Ø150 mm
6	01_06_067301	Circuit diagram
7	01_09_083869	Tool kit



# 1 Cover Motor

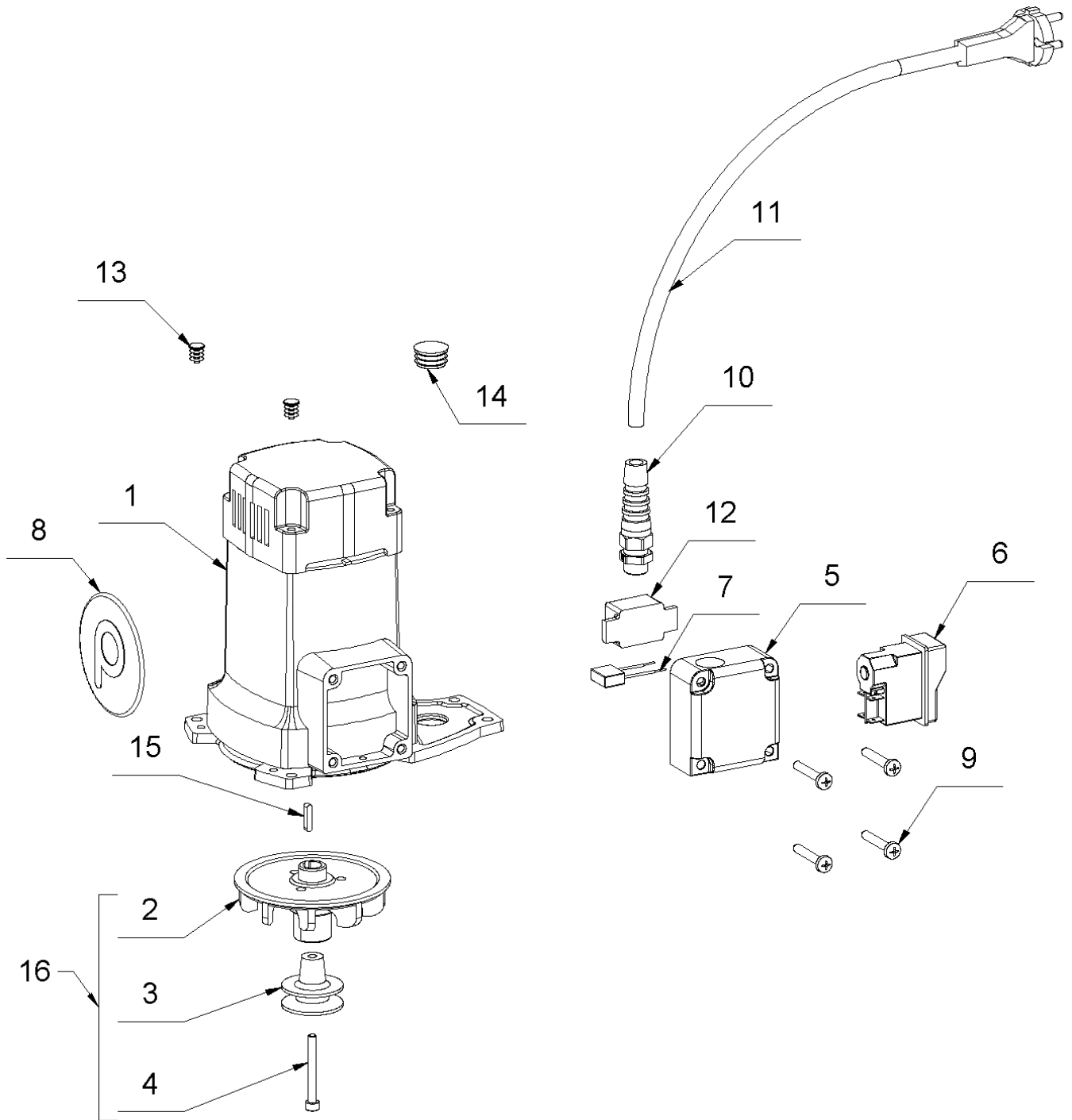


## 1 Cover Motor

---

Item no.	Article no.	Description	Quantity
1	067884	Motor hood Gecko Star/Pure	1
2	081093	Handle left w.grip cover Gecko Star/Pure	1
3	081090	Handle right w.grip cover GeckoStar/Pure	1
4	017723	Cylindrical pin 5x 16 DIN 6325	4
5	014860	Schnorr Washer M8	2
6	018251	Cylinder head screw M8x65 DIN 912	2
7	068311	Fillister head screw 4,8x80 DIN 7980C	4
8	047310	Grip covering Magura	2

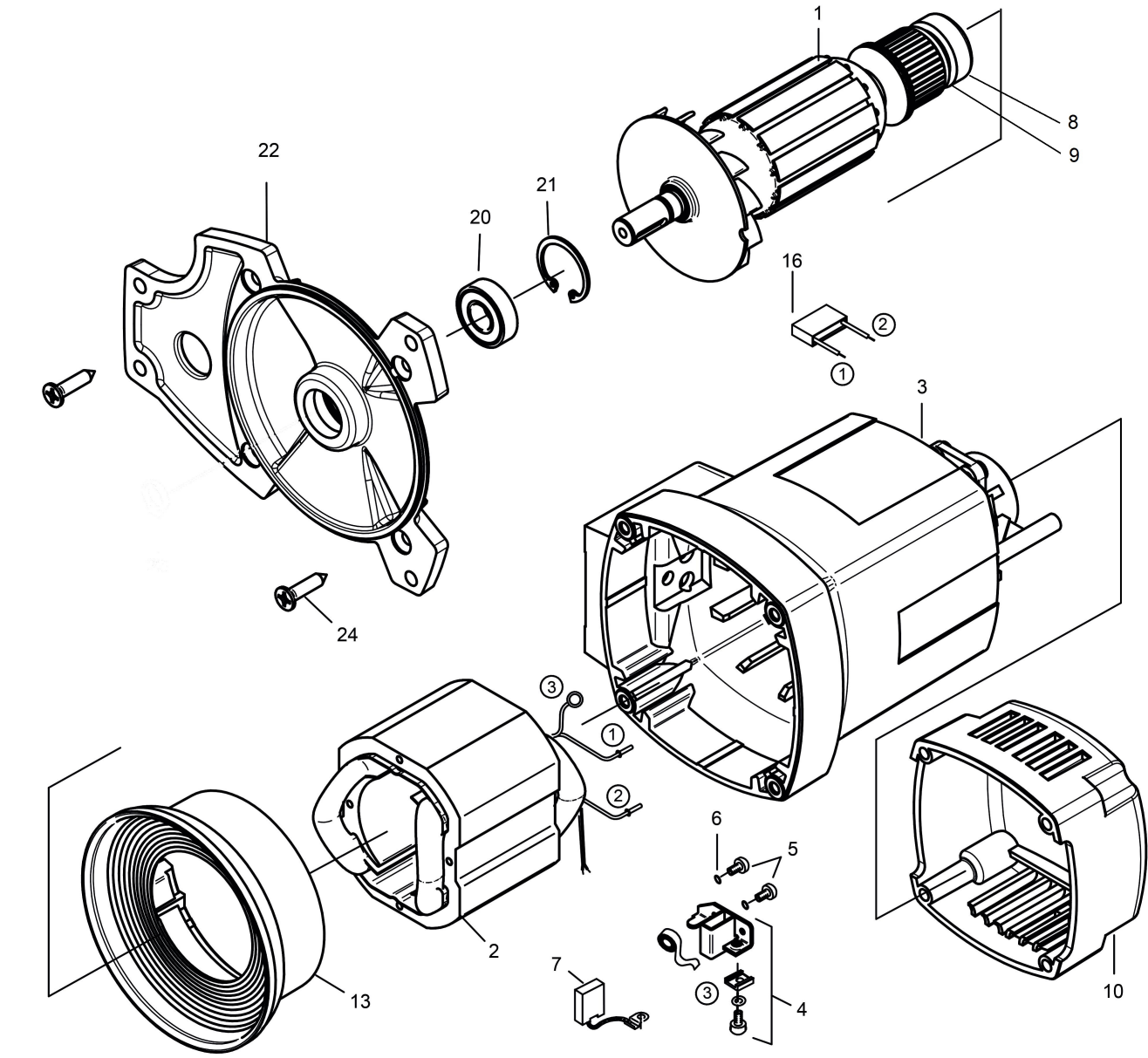
## 2 Motor



## 2 Motor

Item no.	Article no.	Description	Quantity
1	080464	motor cpl.230V/50-60Hz Gecko 2016	1
2	080204	Dust fan w.axle GeckoStar/Pure	1
3	079921	Motor pulley conus Gecko Star/Pure	1
4	060220	Cylinder head screw M5x45 10.9 micro	1
5	067250	switch housing Gecko Pure	1
6	070324	Mounting switch 230V Gecko Star	1
7	018771	Anti-interference capacitor	1
8	129934	Label Pallmann 3D Ø 80mm	1
9	068136	metal screw HC5,5x38 Gecko Star/Pure	4
10	068135	cable connection Gecko Star/Pure	1
11	067264	El.cord 2x1 <sup>2</sup> x5m orange Schuko plug	1
12	081104	Power supply Gecko Star	1
13	019117	Stopper Ø7,0-8,4 x 11,5 black	2
14	068315	Stopper Ø 22,0x11,5 black	1
15	014900	Parallel key 4x4x18 DIN 6885	1
16	081512	Dust fan complete GeckoStar/Pure	1
o.Abb.	019165	Plug 230V 3-polig Switzerland	1
o.Abb.	171219	Conversion kit switch box Gecko Star 2.0	1

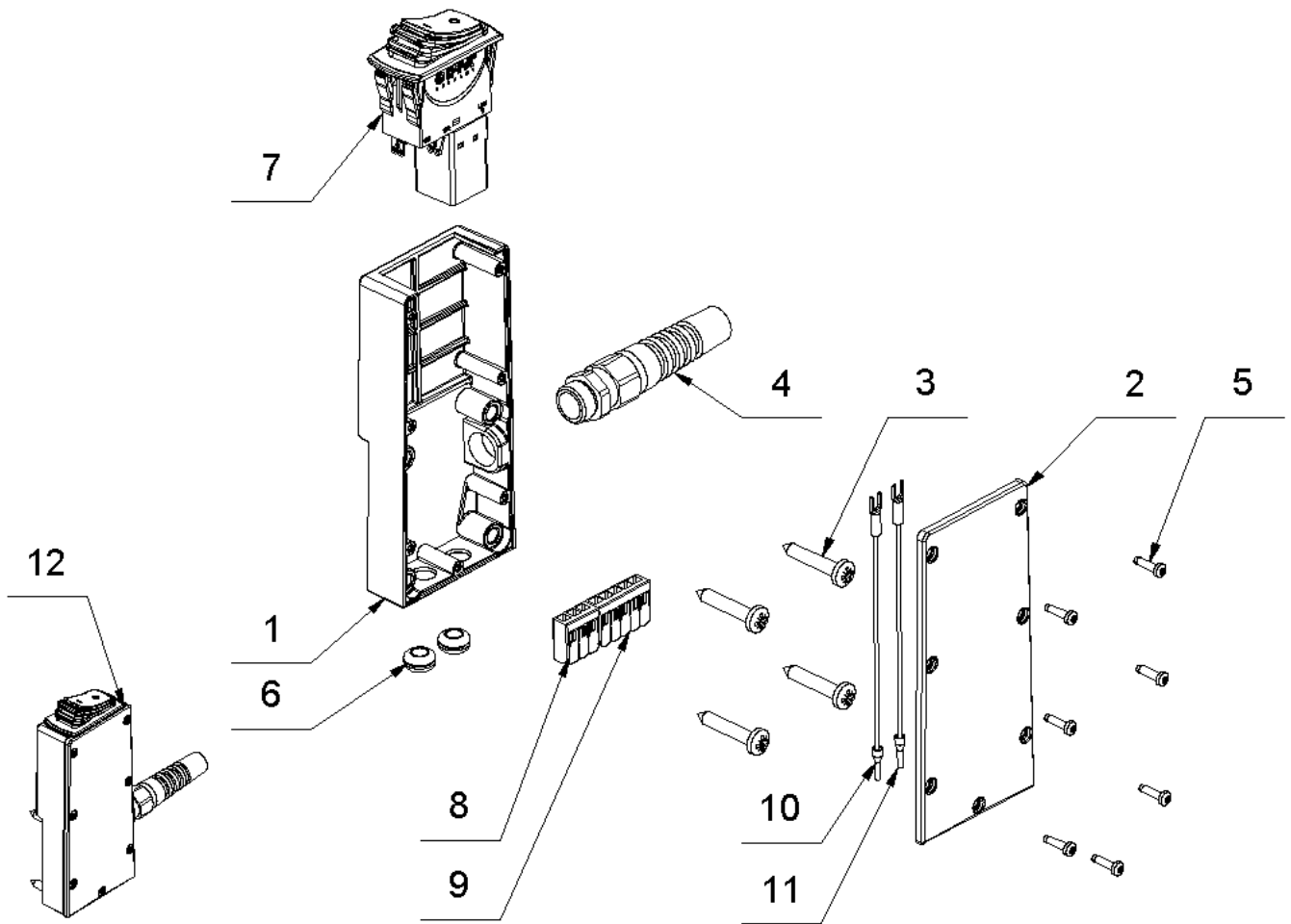
# 1 motor cpl.230V/50-60Hz Gecko 2016



## 1 motor cpl.230V/50-60Hz Gecko 2016

Item no.	Article no.	Description	Quantity
1	081342	Edge runner cpl.230V Gecko Star/Pure2016	1
2	081343	coil ring cpl.230V Gecko Star/Pure 2016	1
3	067195	Motor housing Gecko Star/Pure	1
4	067196	Carbon brush holder Gecko Star/Pure	2
5	067197	Screw ZM 4x12 GeckoStar	4
6	066724	Spring washer B M4 DIN 137	4
7	067199	Carbon brushes 2 pieces Gecko Star/Pure	1
8	077013	Bearing sleeve Gecko Star/Pure	1
9	084411	Ball bearing 6000 2Z C3	1
10	067204	Cap f.Motor housing Gecko Star/Pure	1
13	067214	Air guide ring cpl. Gecko Star/Pure	1
16	018771	Anti-interference capacitor	1
20	083870	Ball bearing 6001 2RSL/C3HT	1
21	017691	Circlip washer I28 DIN 472	1
22	056568	Bearing plate Gecko Star /Pure	1
24	067220	Counter sunk screw 5x25 Gecko Star/Pure	4

# o.Abb. Conversion kit switch box Gecko Star 2.0

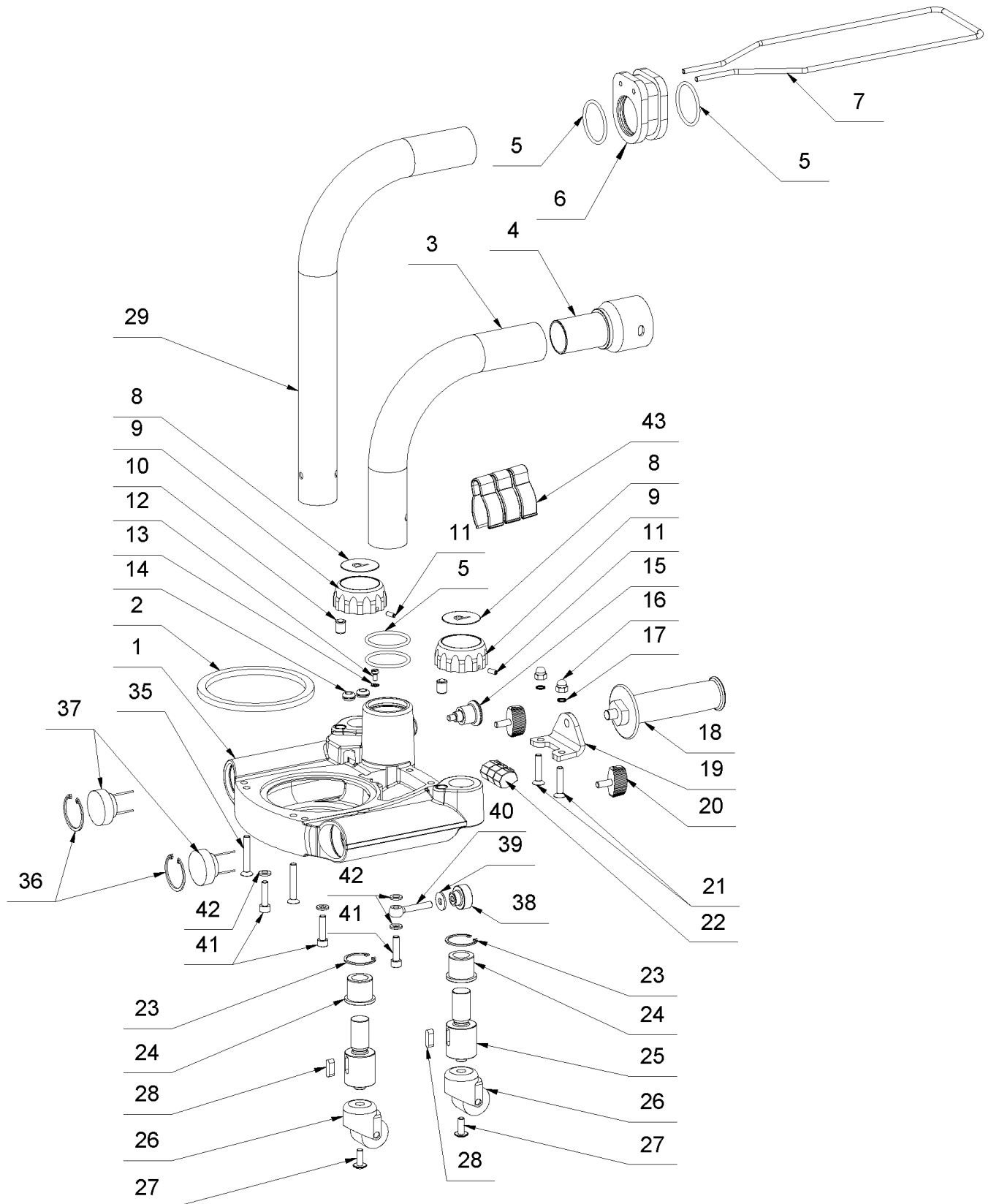


## **o.Abb. Conversion kit switch box Gecko Star 2.0**

<b>Item no.</b>	<b>Article no.</b>	<b>Description</b>	<b>Quantity</b>
1	170188	Switchbox Gecko Star 2.0	1
2	169870	Cover Switchbox Gecko Star 2.0	1
3	169578	Pan head tapping screw 5,5x32 ISO 7049	4
4	038585	Strain relief w.bending prot.M16x1,5	1
5	083770	Lens head screw 3x12	7
6	083816	Diaphragm grommet one-sid 6.4/9.9 black	2
7	168746	ETA protective switch Gecko Star 230V	1
8	050145	Connection terminal 3-fold	1
9	072951	Terminal connector 5-fold	1
10	169741	Single wire blue Gecko Star 2.0	1
11	169736	Single wire brown Gecko Star 2.0	1
12	171219	Conversion kit switch box Gecko Star 2.0	1



# 3 Chassis



### 3 Chassis

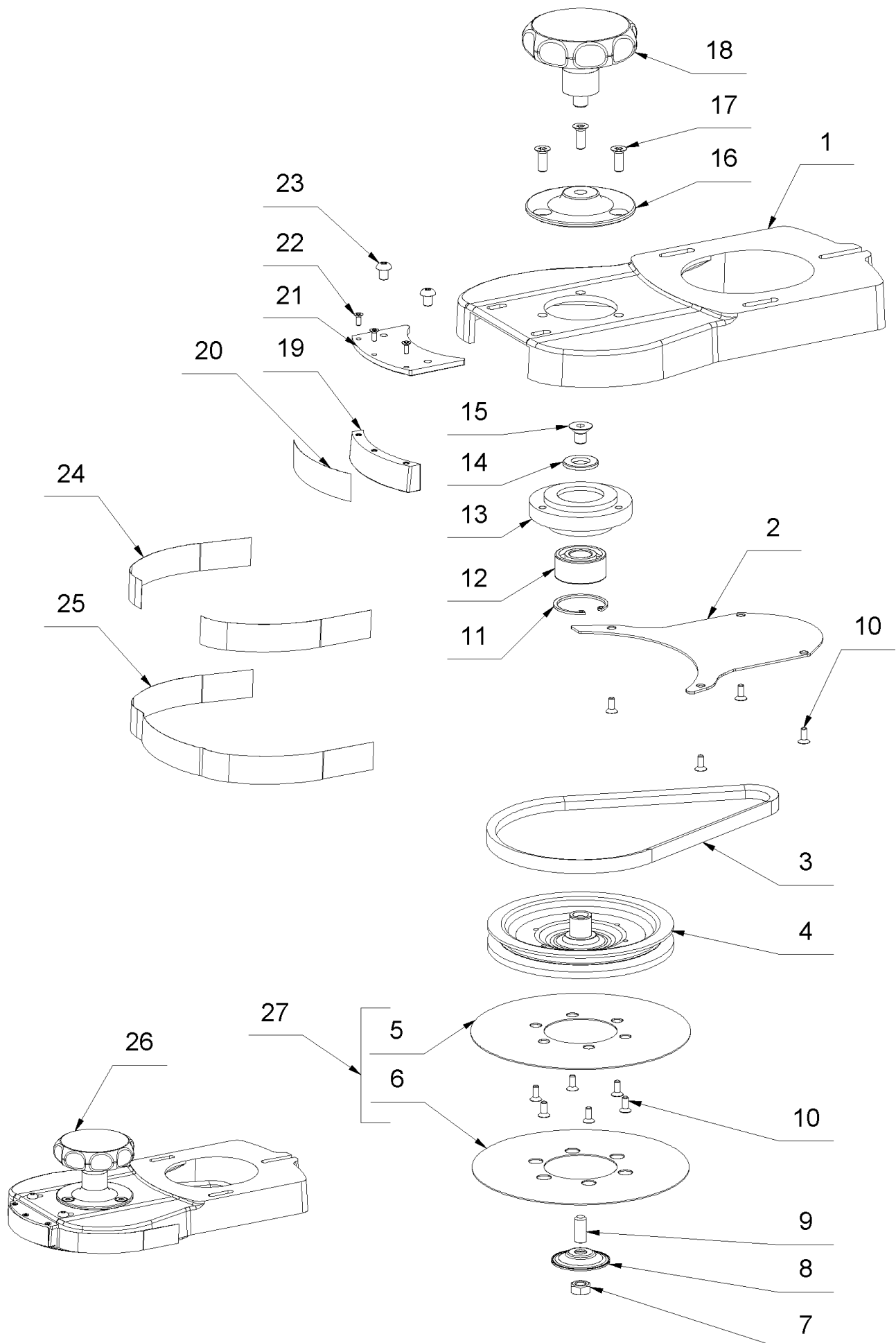
Item no.	Article no.	Description	Quantity
1	056565	Chassis Gecko Star/Pure	1
2	087388	Sealing ring Ø115x5x3 Gecko Star/Pure	1
3	066309	Dust pipe short Gecko Star/Pure	1
4	066218	Sleeve dust pipe Gecko/Dust	1
5	070634	O-Ring 38,5 x 3,00 - NBR 70	4
6	056592	Flange for Dust Bag Gecko Star/Pure	1
7	066292	Shackle for Dust Bag Gecko Star/Pure	1
8	066604	Scale thumbwheel Gecko Star/Pure	2
9	056593	Setting Wheel Gecko Star/Pure	2
10	017781	Ball catch	2
11	066664	Headless pin M4x10 /DIN 913	2
14	083816	Diaphragm grommet one-sid 6.4/9.9 black	2
15	052440	Arresting bolt	1
16	017687	Cap nut M 6 DIN 1587	2
17	014859	Schnorr washer M6	2
18	069284	Handle M10x10	1
19	068237	Angle grab handle Gecko Pure	1
20	070354	Wing screw GN 531 M6x16	2
21	017699	Countersunk screw M6x30 DIN 7991 10.9	2
22	050146	Connecting terminal 2-fold	3
23	053318	Circlip I30 DIN 472	2
24	056594	Steep thread nut Gecko Star/Pure	2
25	056595	Steep thread spindle Gecko Star/Pure	2
26	040268	Castor URS New	2
27	017552	Lens head screw M 6x16 ISO 7380	2
28	017731	Parallel key 6x6x18 DIN 6885	2
29	066310	dust pipe short long Gecko Star/Pure	1
35	056376	Countersunk screw M6x40 DIN 7991 10.9	2
36	018091	Circlip I35 DIN472	2
37	081103	LED-Spot Gecko Star	2
38	077014	Knurled nut M 6 DIN 6303	1
39	017724	Washer DIN 9021 6,4x18x1,6	1
40	048520	Eye screw M 6x40 DIN 444	1
41	066729	Cylinder head screw M 6x 25 ISO 14580	3

### 3 Chassis

---

Item no.	Article no.	Description	Quantity
42	014827	Washer M6 DIN 125 A	4
43	061621	Hose support	3

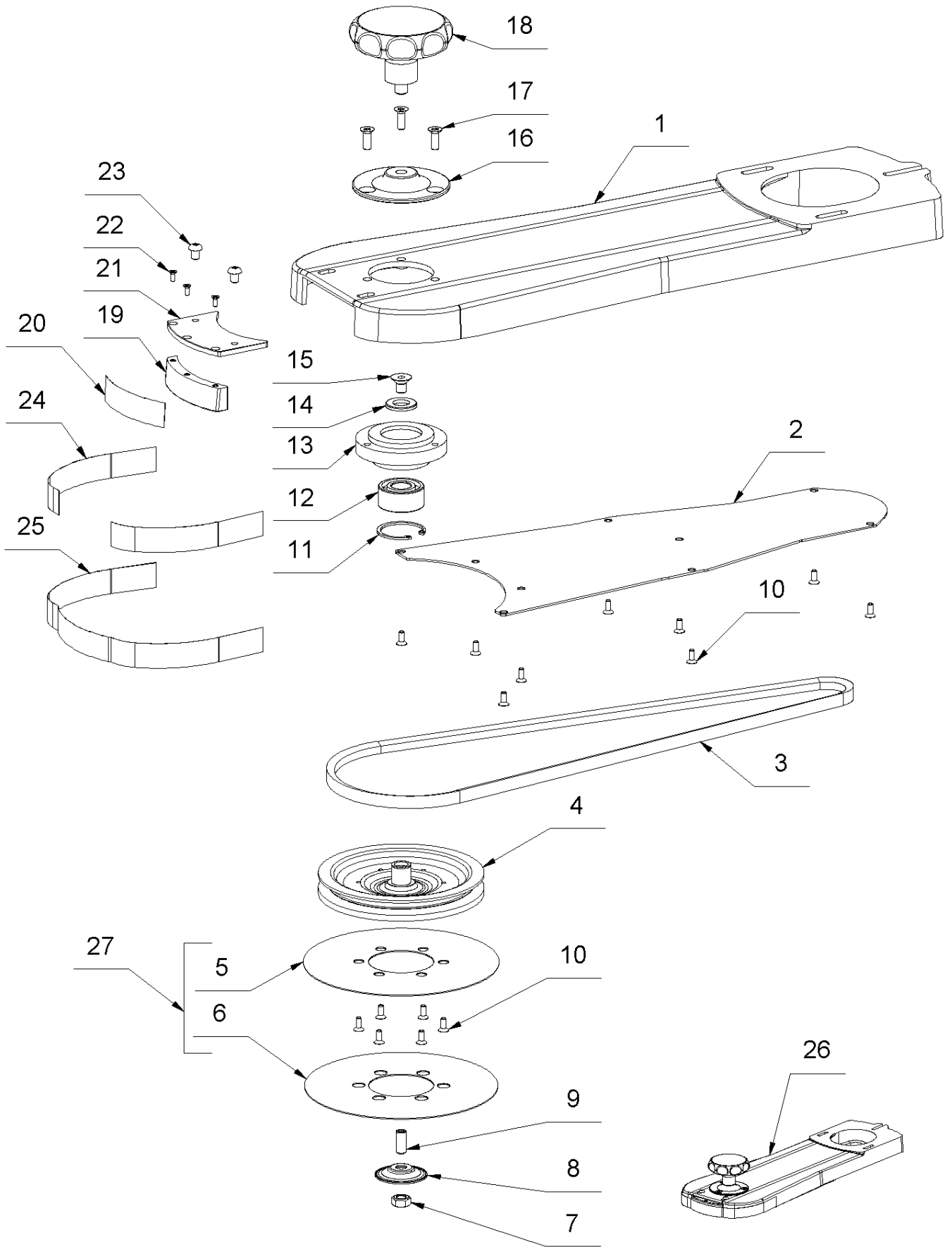
## 4 Short sanding arm Ø150 mm



## 4 Short sanding arm Ø150 mm

Item no.	Article no.	Description	Quantity
1	056572	short sanding arm casing150GeckoStarPure	1
2	066632	cover short Ø150mm Gecko Star/Pure	1
3	066720	v-Belt 10 x 500 mm	1
4	056596	belt pulley d150 Gecko Star/Pure	1
5	016223	150024000Steel disc Gecko	1
6	016222	150012000 Attachment disk d150 Gecko	1
7	014810	Hexagon nut M 8 DIN 934 I6I/I8I	1
8	082888	Clamping washer Gecko Star 2.0	1
9	085623	Headless pin M 8x18 microencapsulated	1
10	066727	Countersunk screw M 4x10 ISO 14581	10
11	018091	Circlip I35 DIN472	1
12	016707	Ball bearing Gecko Star/Pure	1
13	056598	Bearing flange Gecko Star/Pure	1
14	017741	Washer M14 DIN 125	1
15	038423	Counter sunk screw M8x12 DIN 7991 10.9	1
16	066631	Bearing cover Gecko Star/Pure	1
17	066726	Countersunk screw M 6x16 ISO 14581	3
18	066641	Handle cantilever arm Gecko Star/Pure	1
19	066639	Slide bar Gecko Star/Pure	1
20	070986	Velcro tape for gliders	1
21	066640	Adjusting plate Gecko Star/Pure	1
22	066725	Countersunk screw M 3x 8 ISO 14581	3
23	066728	Fillister head screw M6x 8 ISO7380	2
24	070982	Velcro f.Sanding attachment D150	1
25	070987	Velor band f.Sanding attachment D150	1
26	065829	ATTACHMENT CPL.SHORT GECKOSTAR/PURE D150	1
27	016817	spring steel disc+Klett lock disc	1

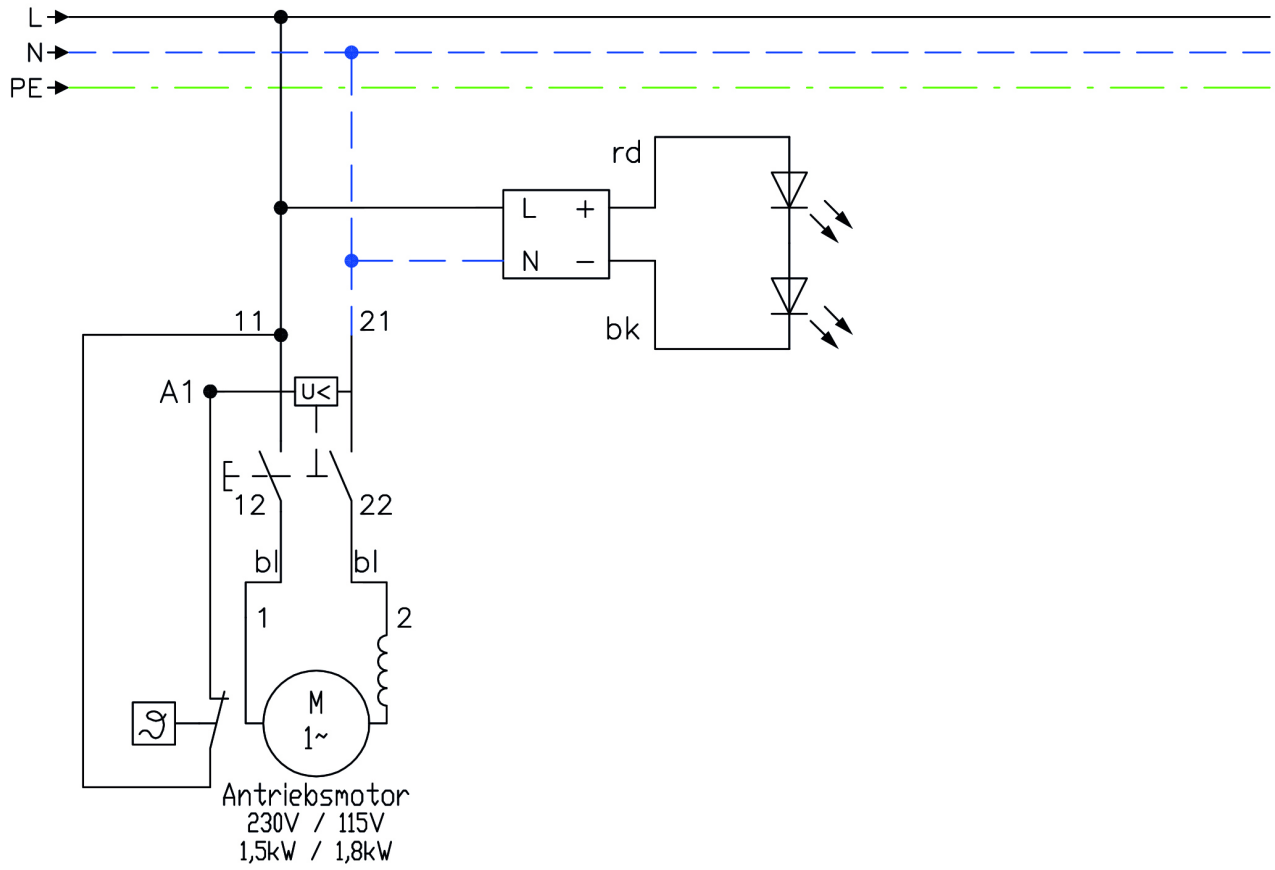
# 5 Long sanding arm Ø150 mm



## 5 Long sanding arm Ø150 mm

Item no.	Article no.	Description	Quantity
1	056570	Long sanding arm casing150 GeckoStarPure	1
2	066633	cover long Ø150mm Gecko Star/Pure	1
3	066717	v-Belt X10 x 1000 mm	1
4	056596	belt pulley d150 Gecko Star/Pure	1
5	016223	150024000Steel disc Gecko	1
6	016222	150012000 Attachment disk d150 Gecko	1
7	014810	Hexagon nut M 8 DIN 934 I6I/I8I	1
8	082888	Clamping washer Gecko Star 2.0	1
9	085623	Headless pin M 8x18 microencapsulated	1
10	066727	Countersunk screw M 4x10 ISO 14581	15
11	018091	Circlip I35 DIN472	1
12	016707	Ball bearing Gecko Star/Pure	1
13	056598	Bearing flange Gecko Star/Pure	1
14	017741	Washer M14 DIN 125	1
15	038423	Counter sunk screw M8x12 DIN 7991 10.9	1
16	066631	Bearing cover Gecko Star/Pure	1
17	066726	Countersunk screw M 6x16 ISO 14581	3
18	066641	Handle cantilever arm Gecko Star/Pure	1
19	066639	Slide bar Gecko Star/Pure	1
20	070986	Velcro tape for gliders	1
21	066640	Adjusting plate Gecko Star/Pure	1
22	066725	Countersunk screw M 3x 8 ISO 14581	3
23	066728	Fillister head screw M6x 8 ISO7380	2
24	070982	Velcro f.Sanding attachment D150	1
25	070987	Velor band f.Sanding attachment D150	1
26	065828	ATTACHMENT CPL.LONG GECKO STAR/PURE D150	1
27	016817	spring steel disc+Klett lock disc	1

## 6 Circuit diagram





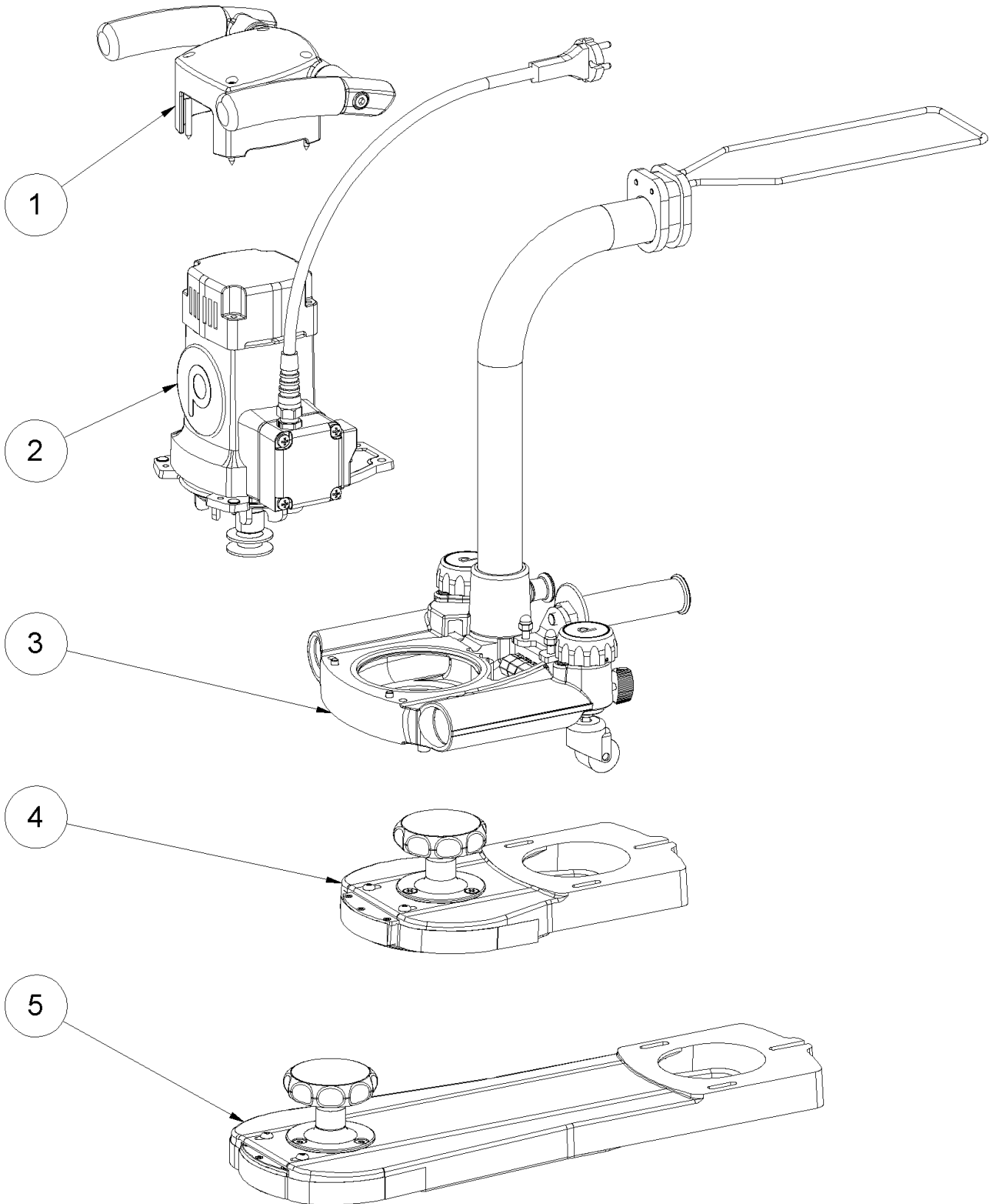
## 6 Circuit diagram

---

## 7 Tool kit

Item no.	Article no.	Description	Quantity
1	067309	Screw driver 1/4"	1
2	067310	Bit Box equipped SEE 169425	1
3	016725	Tool pocket empty	1
4	015315	Hearing protectors	1
5	016732	Fine dust mask Gecko/URS/Cobra	1
6	066603	DUST BAG GECKO STAR/PURE PALLMANN	1
7	016222	150012000 Attachment disk d150 Gecko	1
8	073274	VELCRO DISC BETWEEN D 150 MM	1
9	066720	v-Belt 10 x 500 mm	1
10	066717	v-Belt X10 x 1000 mm	1
11	065829	ATTACHMENT CPL.SHORT GECKOSTAR/PURE D150	1
12	065828	ATTACHMENT CPL.LONG GECKO STAR/PURE D150	1

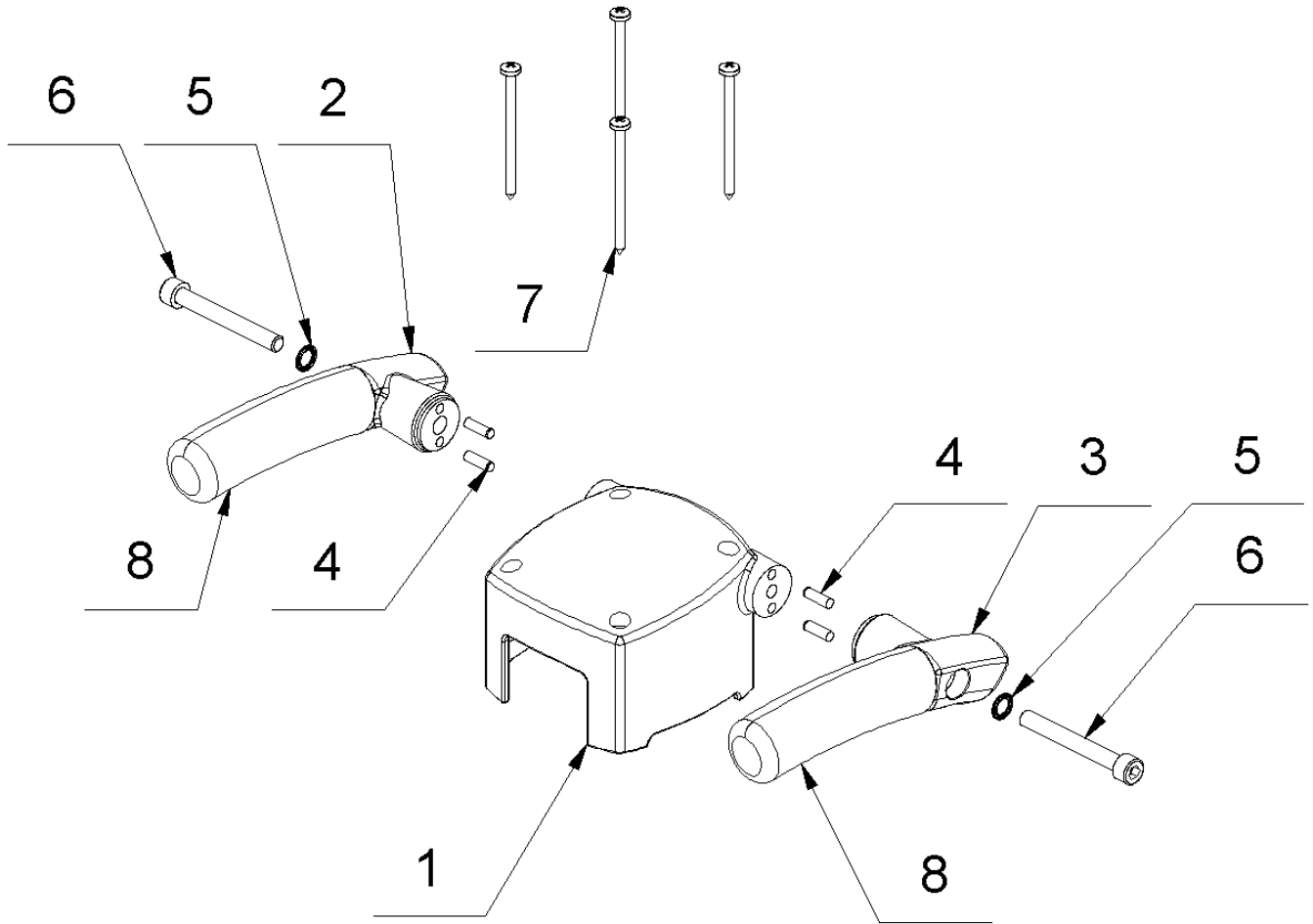
## 2 Pallmann Gecko Star 2.0 230V Ø150 (0683/2020 - 0794/2022)



## **2 Pallmann Gecko Star 2.0 230V Ø150 (0683/2020 - 0794/2022)**

<b>Item no.</b>	<b>Article no.</b>	<b>Description</b>
1	01_01_067301	Cover Motor
2	02_02_082729	Motor
3	01_03_082729	Chassis
4	03_06_065829	Short sanding arm Ø150 mm
5	03_07_065828	Long sanding arm Ø150 mm
6	01_06_067301	Circuit diagram
7	01_09_083869	Tool kit

# 1 Cover Motor

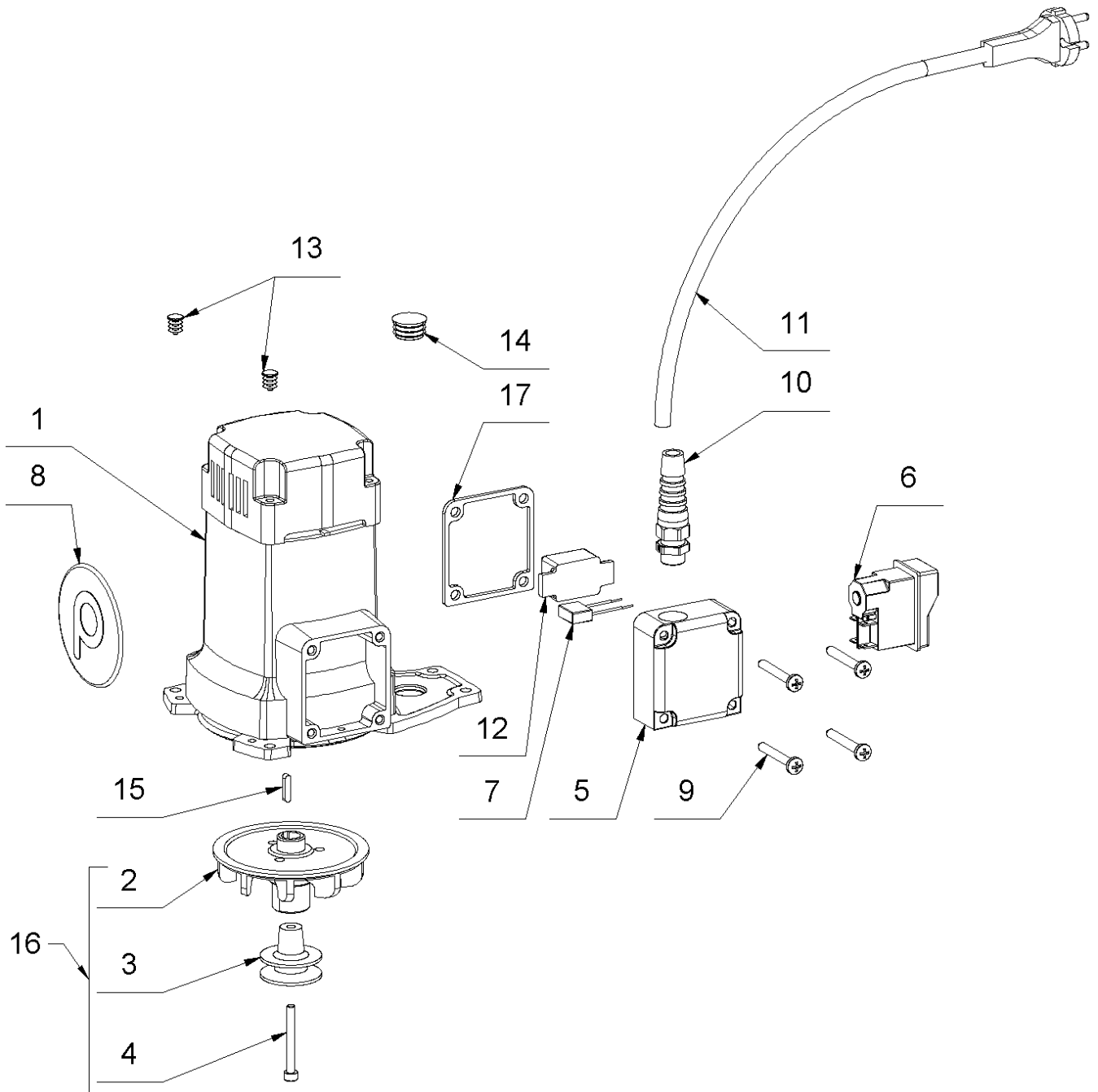


## 1 Cover Motor

---

Item no.	Article no.	Description	Quantity
1	067884	Motor hood Gecko Star/Pure	1
2	081093	Handle left w.grip cover Gecko Star/Pure	1
3	081090	Handle right w.grip cover GeckoStar/Pure	1
4	017723	Cylindrical pin 5x 16 DIN 6325	4
5	014860	Schnorr Washer M8	2
6	018251	Cylinder head screw M8x65 DIN 912	2
7	068311	Fillister head screw 4,8x80 DIN 7980C	4
8	047310	Grip covering Magura	2

## 2 Motor

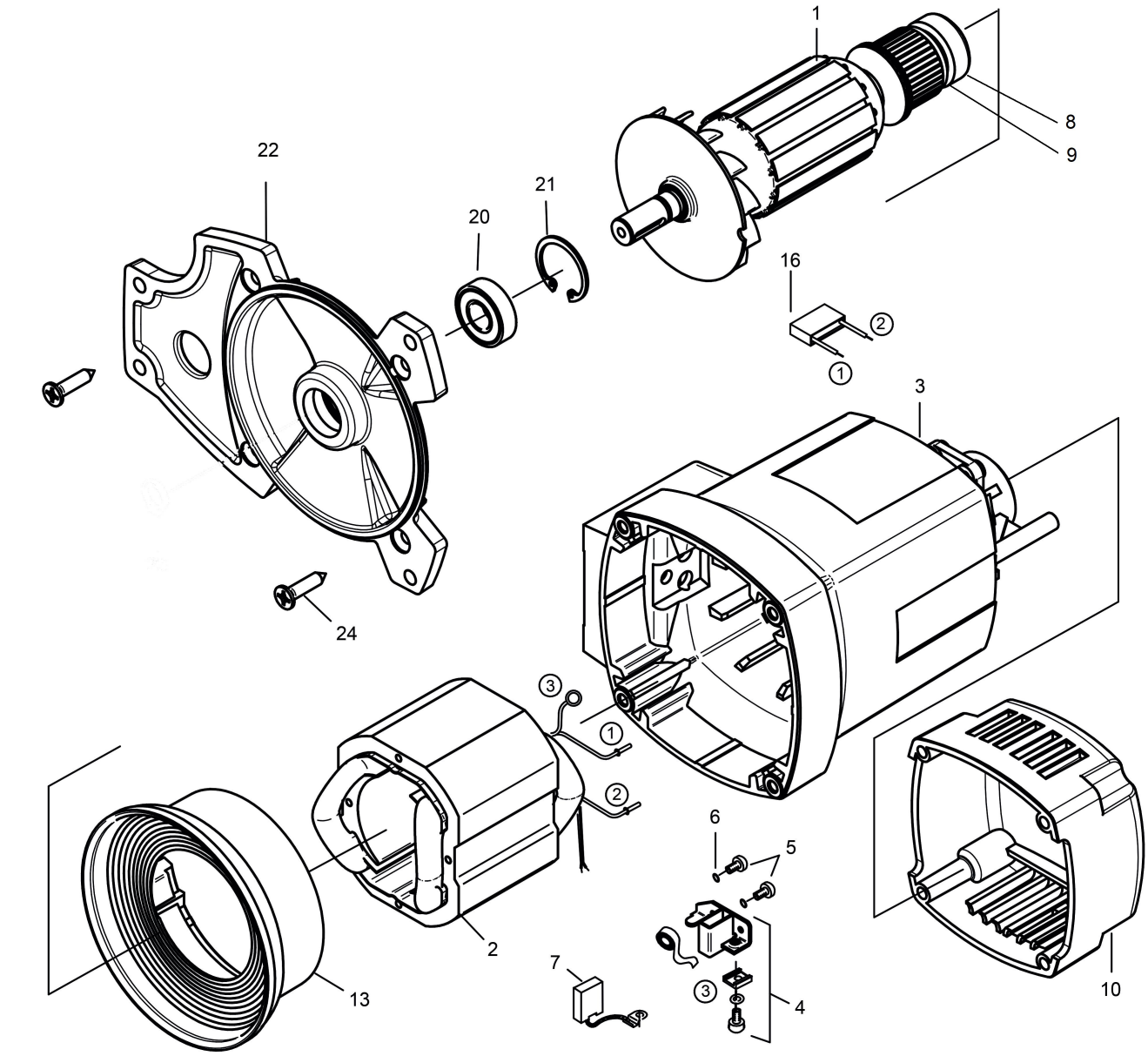


## 2 Motor

Item no.	Article no.	Description	Quantity
1	080464	motor cpl.230V/50-60Hz Gecko 2016	1
2	080204	Dust fan w.axle GeckoStar/Pure	1
3	079921	Motor pulley conus Gecko Star/Pure	1
4	060220	Cylinder head screw M5x45 10.9 micro	1
5	067250	switch housing Gecko Pure	1
6	070324	Mounting switch 230V Gecko Star	1
7	018771	Anti-interference capacitor	1
8	129934	Label Pallmann 3D Ø 80mm	1
9	161496	Selftapping convex head screw 5,5x45 DIN	4
10	068135	cable connection Gecko Star/Pure	1
11	067264	El.cord 2x1 <sup>2</sup> x5m orange Schuko plug	1
12	081104	Power supply Gecko Star	1
13	019117	Stopper Ø7,0-8,4 x 11,5 black	2
14	068315	Stopper Ø 22,0x11,5 black	1
15	014900	Parallel key 4x4x18 DIN 6885	1
16	081512	Dust fan complete GeckoStar/Pure	1
17	161720	Intermediate frame terminal box. Gecko	1
o.Abb.	019165	Plug 230V 3-polig Switzerland	1
o.Abb.	171219	Conversion kit switch box Gecko Star 2.0	1



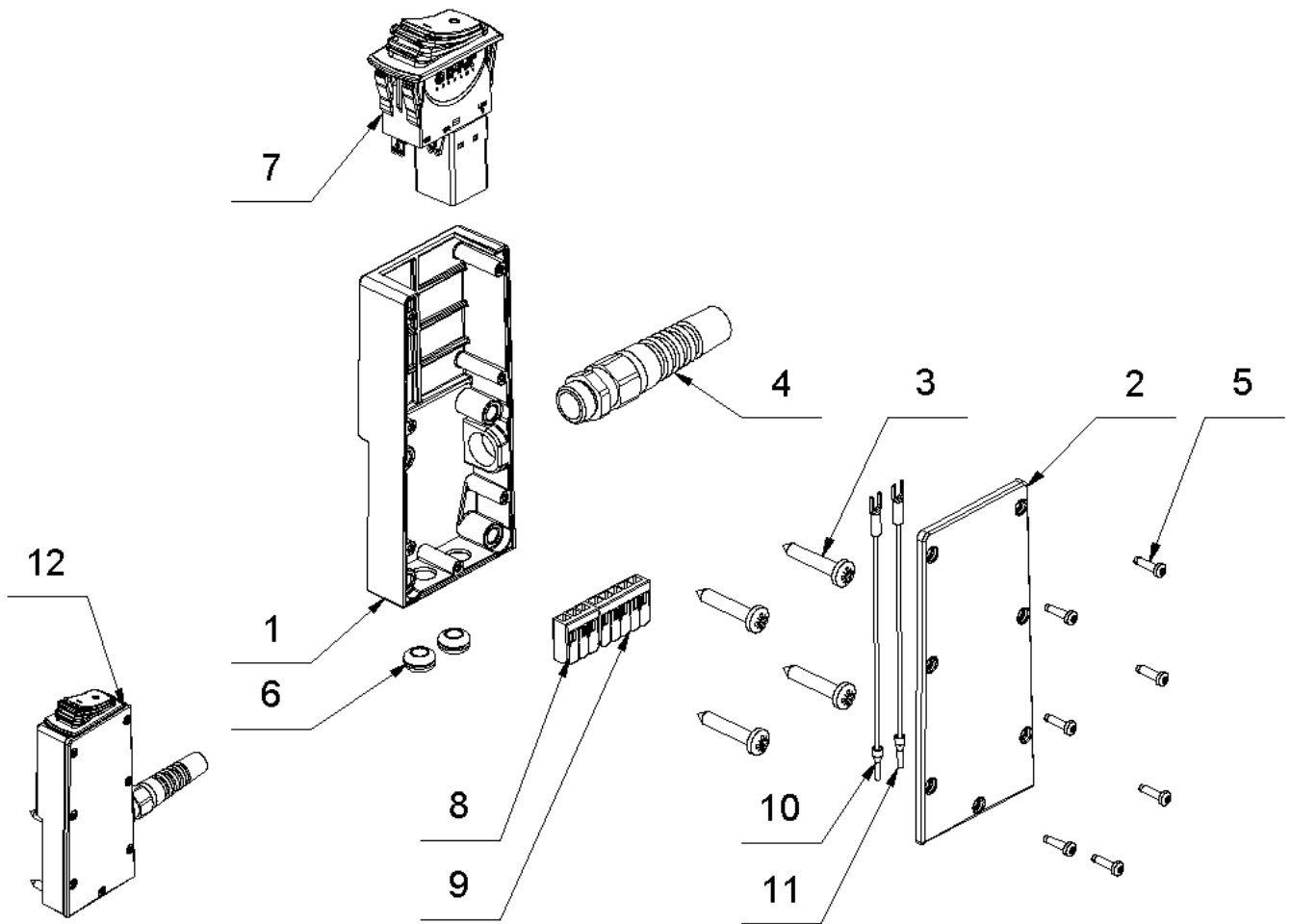
# 1 motor cpl.230V/50-60Hz Gecko 2016



## 1 motor cpl.230V/50-60Hz Gecko 2016

Item no.	Article no.	Description	Quantity
1	081342	Edge runner cpl.230V Gecko Star/Pure2016	1
2	081343	coil ring cpl.230V Gecko Star/Pure 2016	1
3	067195	Motor housing Gecko Star/Pure	1
4	067196	Carbon brush holder Gecko Star/Pure	2
5	067197	Screw ZM 4x12 GeckoStar	4
6	066724	Spring washer B M4 DIN 137	4
7	067199	Carbon brushes 2 pieces Gecko Star/Pure	1
8	077013	Bearing sleeve Gecko Star/Pure	1
9	084411	Ball bearing 6000 2Z C3	1
10	067204	Cap f.Motor housing Gecko Star/Pure	1
13	067214	Air guide ring cpl. Gecko Star/Pure	1
16	018771	Anti-interference capacitor	1
20	083870	Ball bearing 6001 2RSL/C3HT	1
21	017691	Circlip washer I28 DIN 472	1
22	056568	Bearing plate Gecko Star /Pure	1
24	067220	Counter sunk screw 5x25 Gecko Star/Pure	4

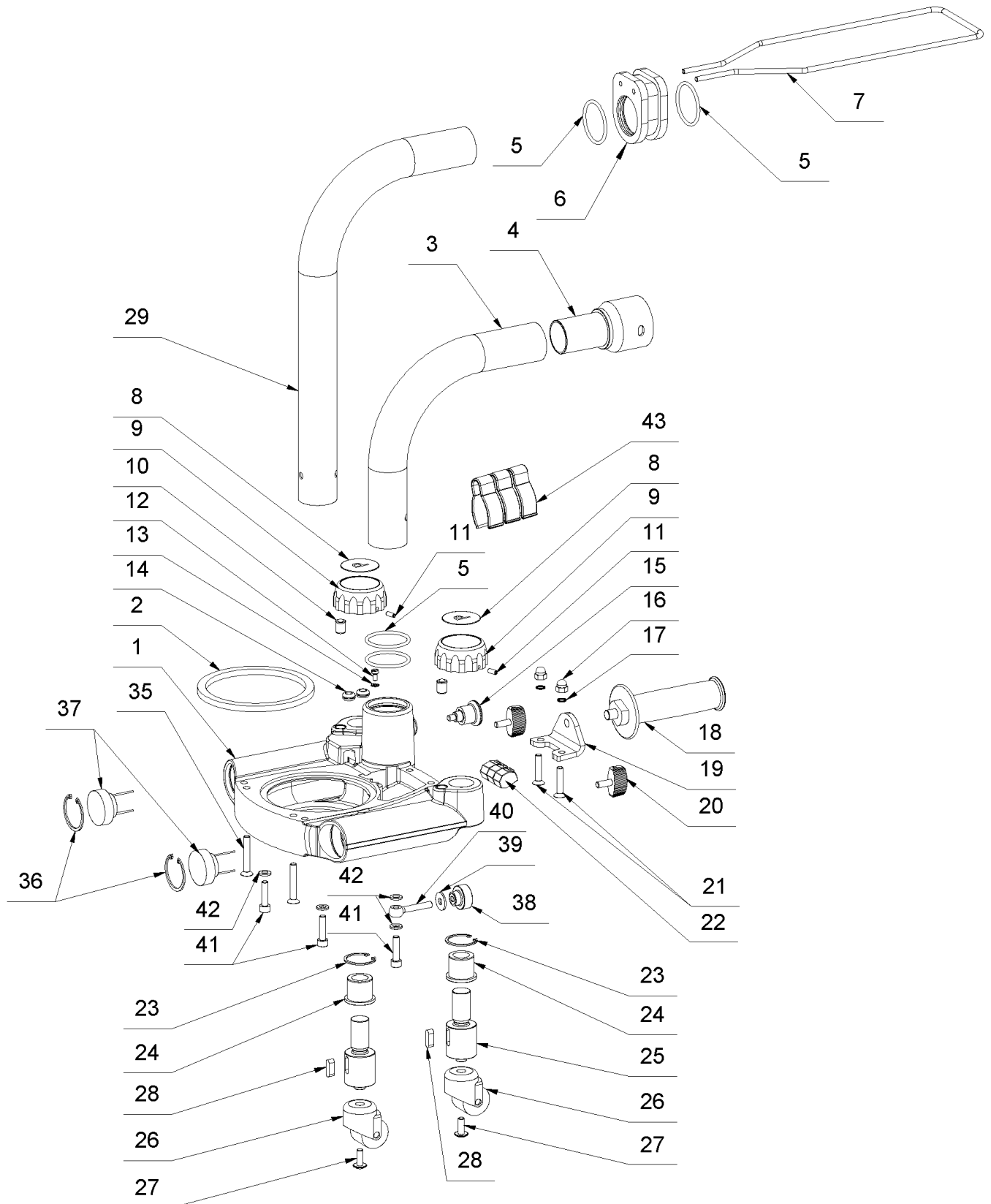
# o.Abb. Conversion kit switch box Gecko Star 2.0



## **o.Abb. Conversion kit switch box Gecko Star 2.0**

<b>Item no.</b>	<b>Article no.</b>	<b>Description</b>	<b>Quantity</b>
1	170188	Switchbox Gecko Star 2.0	1
2	169870	Cover Switchbox Gecko Star 2.0	1
3	169578	Pan head tapping screw 5,5x32 ISO 7049	4
4	038585	Strain relief w.bending prot.M16x1,5	1
5	083770	Lens head screw 3x12	7
6	083816	Diaphragm grommet one-sid 6.4/9.9 black	2
7	168746	ETA protective switch Gecko Star 230V	1
8	050145	Connection terminal 3-fold	1
9	072951	Terminal connector 5-fold	1
10	169741	Single wire blue Gecko Star 2.0	1
11	169736	Single wire brown Gecko Star 2.0	1
12	171219	Conversion kit switch box Gecko Star 2.0	1

# 3 Chassis



### 3 Chassis

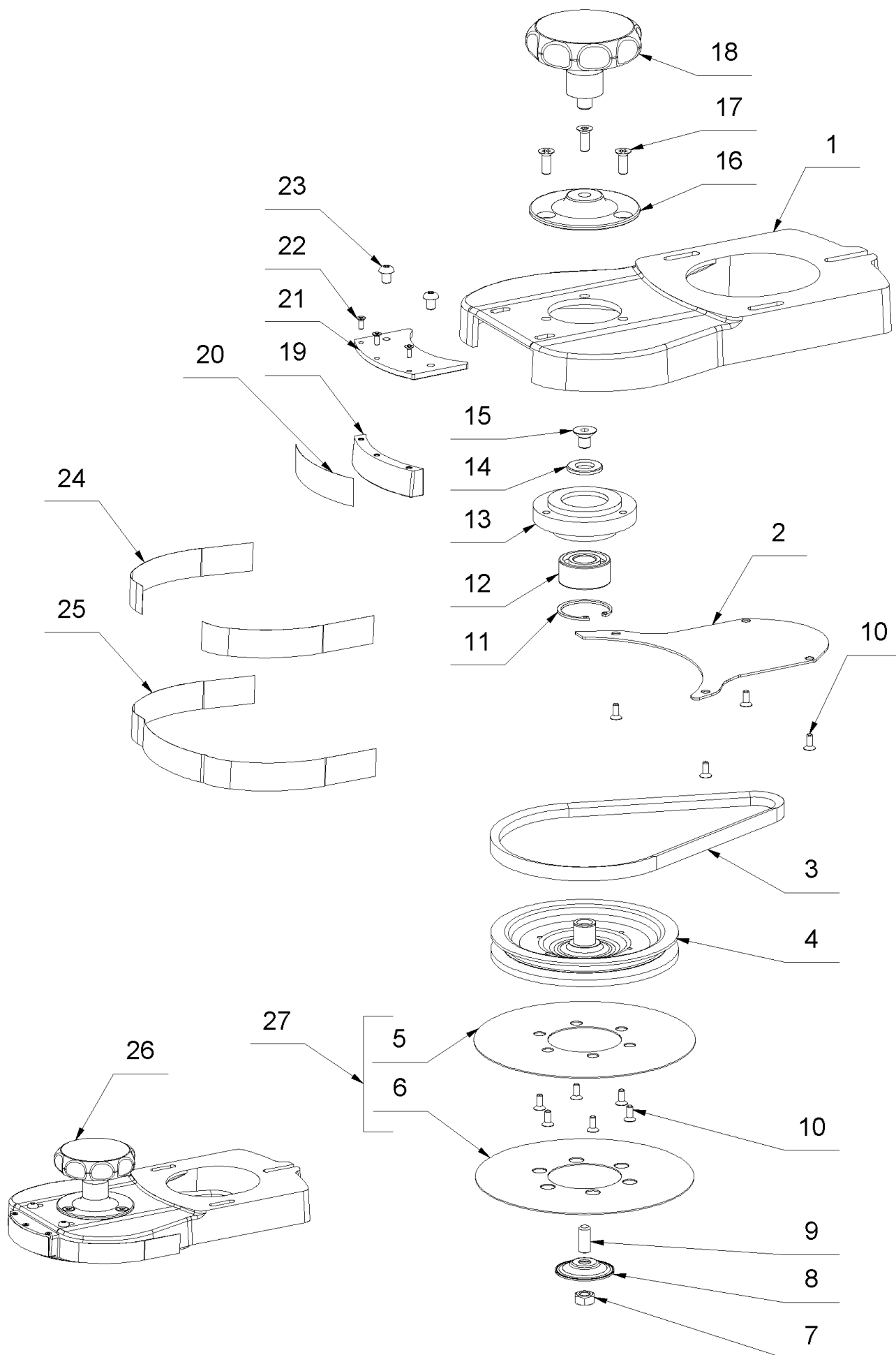
Item no.	Article no.	Description	Quantity
1	056565	Chassis Gecko Star/Pure	1
2	087388	Sealing ring Ø115x5x3 Gecko Star/Pure	1
3	066309	Dust pipe short Gecko Star/Pure	1
4	066218	Sleeve dust pipe Gecko/Dust	1
5	070634	O-Ring 38,5 x 3,00 - NBR 70	4
6	056592	Flange for Dust Bag Gecko Star/Pure	1
7	066292	Shackle for Dust Bag Gecko Star/Pure	1
8	066604	Scale thumbwheel Gecko Star/Pure	2
9	056593	Setting Wheel Gecko Star/Pure	2
10	017781	Ball catch	2
11	066664	Headless pin M4x10 /DIN 913	2
14	083816	Diaphragm grommet one-sid 6.4/9.9 black	2
15	052440	Arresting bolt	1
16	017687	Cap nut M 6 DIN 1587	2
17	014859	Schnorr washer M6	2
18	069284	Handle M10x10	1
19	068237	Angle grab handle Gecko Pure	1
20	070354	Wing screw GN 531 M6x16	2
21	017699	Countersunk screw M6x30 DIN 7991 10.9	2
22	050146	Connecting terminal 2-fold	3
23	053318	Circlip I30 DIN 472	2
24	056594	Steep thread nut Gecko Star/Pure	2
25	056595	Steep thread spindle Gecko Star/Pure	2
26	040268	Castor URS New	2
27	017552	Lens head screw M 6x16 ISO 7380	2
28	017731	Parallel key 6x6x18 DIN 6885	2
29	066310	dust pipe short long Gecko Star/Pure	1
35	056376	Countersunk screw M6x40 DIN 7991 10.9	2
36	018091	Circlip I35 DIN472	2
37	081103	LED-Spot Gecko Star	2
38	077014	Knurled nut M 6 DIN 6303	1
39	017724	Washer DIN 9021 6,4x18x1,6	1
40	048520	Eye screw M 6x40 DIN 444	1
41	066729	Cylinder head screw M 6x 25 ISO 14580	3

### 3 Chassis

---

Item no.	Article no.	Description	Quantity
42	014827	Washer M6 DIN 125 A	4
43	061621	Hose support	3

# 4 Short sanding arm Ø150 mm

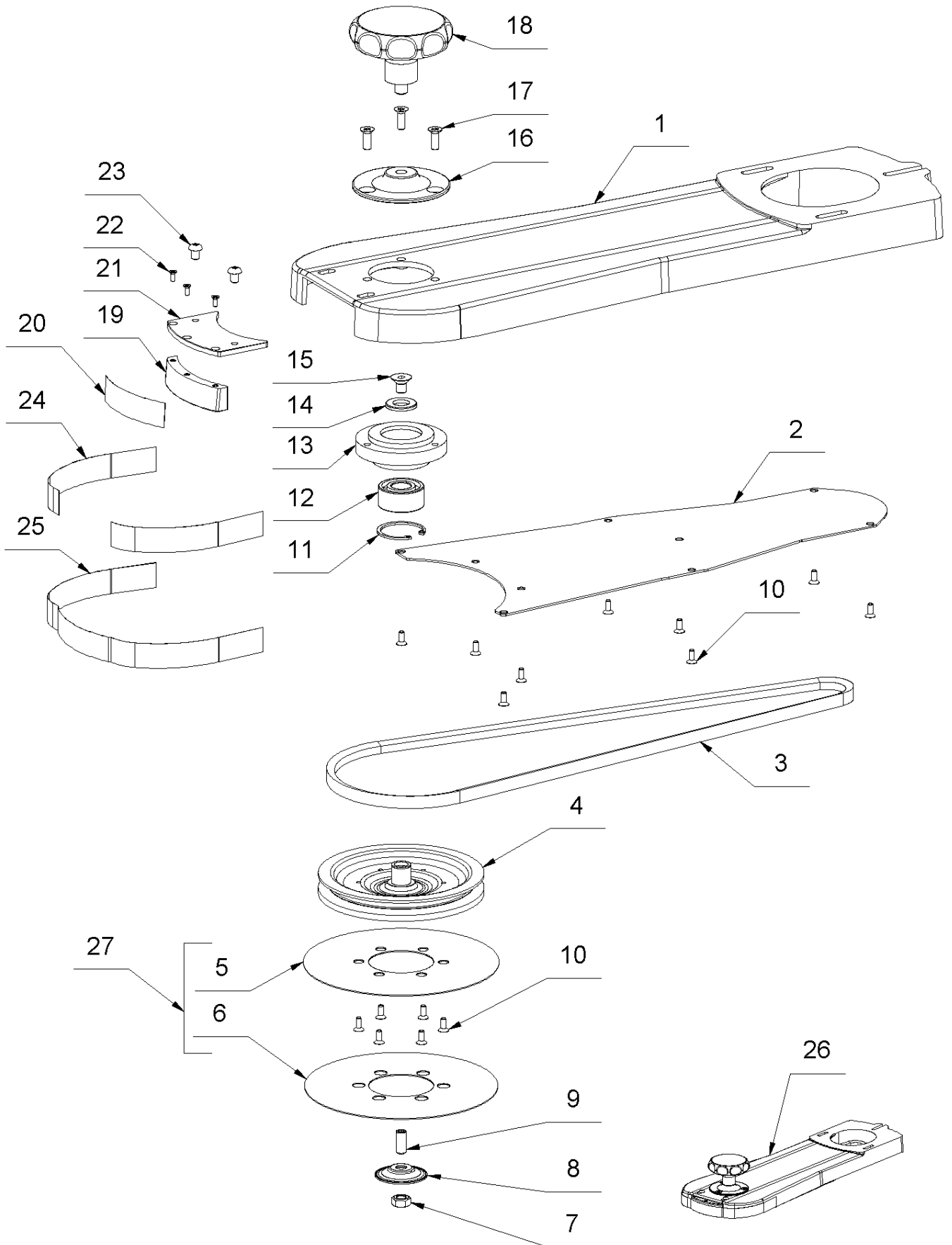




## 4 Short sanding arm Ø150 mm

Item no.	Article no.	Description	Quantity
1	056572	short sanding arm casing150GeckoStarPure	1
2	066632	cover short Ø150mm Gecko Star/Pure	1
3	066720	v-Belt 10 x 500 mm	1
4	056596	belt pulley d150 Gecko Star/Pure	1
5	016223	150024000Steel disc Gecko	1
6	016222	150012000 Attachment disk d150 Gecko	1
7	014810	Hexagon nut M 8 DIN 934 I6I/I8I	1
8	082888	Clamping washer Gecko Star 2.0	1
9	085623	Headless pin M 8x18 microencapsulated	1
10	066727	Countersunk screw M 4x10 ISO 14581	10
11	018091	Circlip I35 DIN472	1
12	016707	Ball bearing Gecko Star/Pure	1
13	056598	Bearing flange Gecko Star/Pure	1
14	017741	Washer M14 DIN 125	1
15	038423	Counter sunk screw M8x12 DIN 7991 10.9	1
16	066631	Bearing cover Gecko Star/Pure	1
17	066726	Countersunk screw M 6x16 ISO 14581	3
18	066641	Handle cantilever arm Gecko Star/Pure	1
19	066639	Slide bar Gecko Star/Pure	1
20	070986	Velcro tape for gliders	1
21	066640	Adjusting plate Gecko Star/Pure	1
22	066725	Countersunk screw M 3x 8 ISO 14581	3
23	066728	Fillister head screw M6x 8 ISO7380	2
24	070982	Velcro f.Sanding attachment D150	1
25	070987	Velor band f.Sanding attachment D150	1
26	065829	ATTACHMENT CPL.SHORT GECKOSTAR/PURE D150	1
27	016817	spring steel disc+Klett lock disc	1

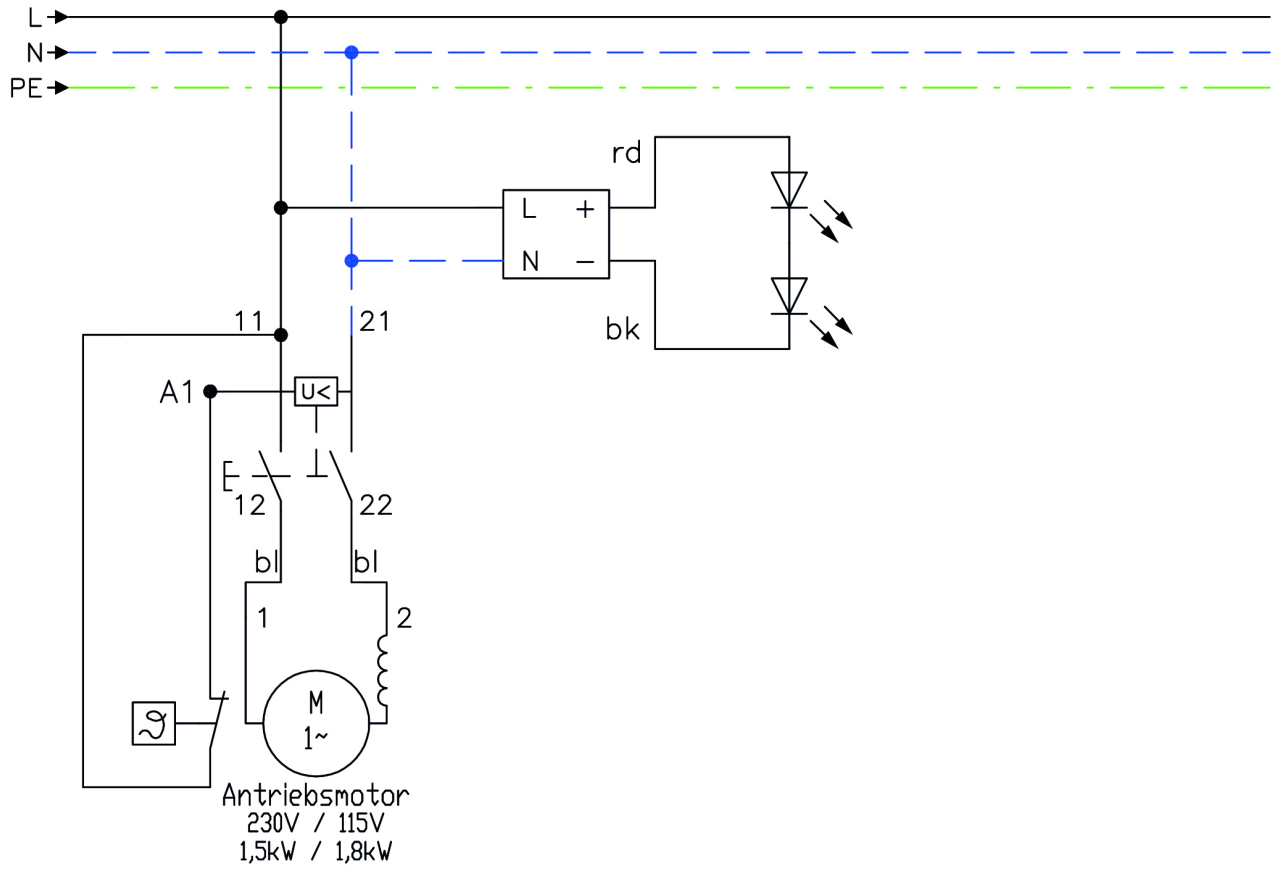
# 5 Long sanding arm Ø150 mm



## 5 Long sanding arm Ø150 mm

Item no.	Article no.	Description	Quantity
1	056570	Long sanding arm casing150 GeckoStarPure	1
2	066633	cover long Ø150mm Gecko Star/Pure	1
3	066717	v-Belt X10 x 1000 mm	1
4	056596	belt pulley d150 Gecko Star/Pure	1
5	016223	150024000Steel disc Gecko	1
6	016222	150012000 Attachment disk d150 Gecko	1
7	014810	Hexagon nut M 8 DIN 934 I6I/I8I	1
8	082888	Clamping washer Gecko Star 2.0	1
9	085623	Headless pin M 8x18 microencapsulated	1
10	066727	Countersunk screw M 4x10 ISO 14581	15
11	018091	Circlip I35 DIN472	1
12	016707	Ball bearing Gecko Star/Pure	1
13	056598	Bearing flange Gecko Star/Pure	1
14	017741	Washer M14 DIN 125	1
15	038423	Counter sunk screw M8x12 DIN 7991 10.9	1
16	066631	Bearing cover Gecko Star/Pure	1
17	066726	Countersunk screw M 6x16 ISO 14581	3
18	066641	Handle cantilever arm Gecko Star/Pure	1
19	066639	Slide bar Gecko Star/Pure	1
20	070986	Velcro tape for gliders	1
21	066640	Adjusting plate Gecko Star/Pure	1
22	066725	Countersunk screw M 3x 8 ISO 14581	3
23	066728	Fillister head screw M6x 8 ISO7380	2
24	070982	Velcro f.Sanding attachment D150	1
25	070987	Velor band f.Sanding attachment D150	1
26	065828	ATTACHMENT CPL.LONG GECKO STAR/PURE D150	1
27	016817	spring steel disc+Klett lock disc	1

## 6 Circuit diagram



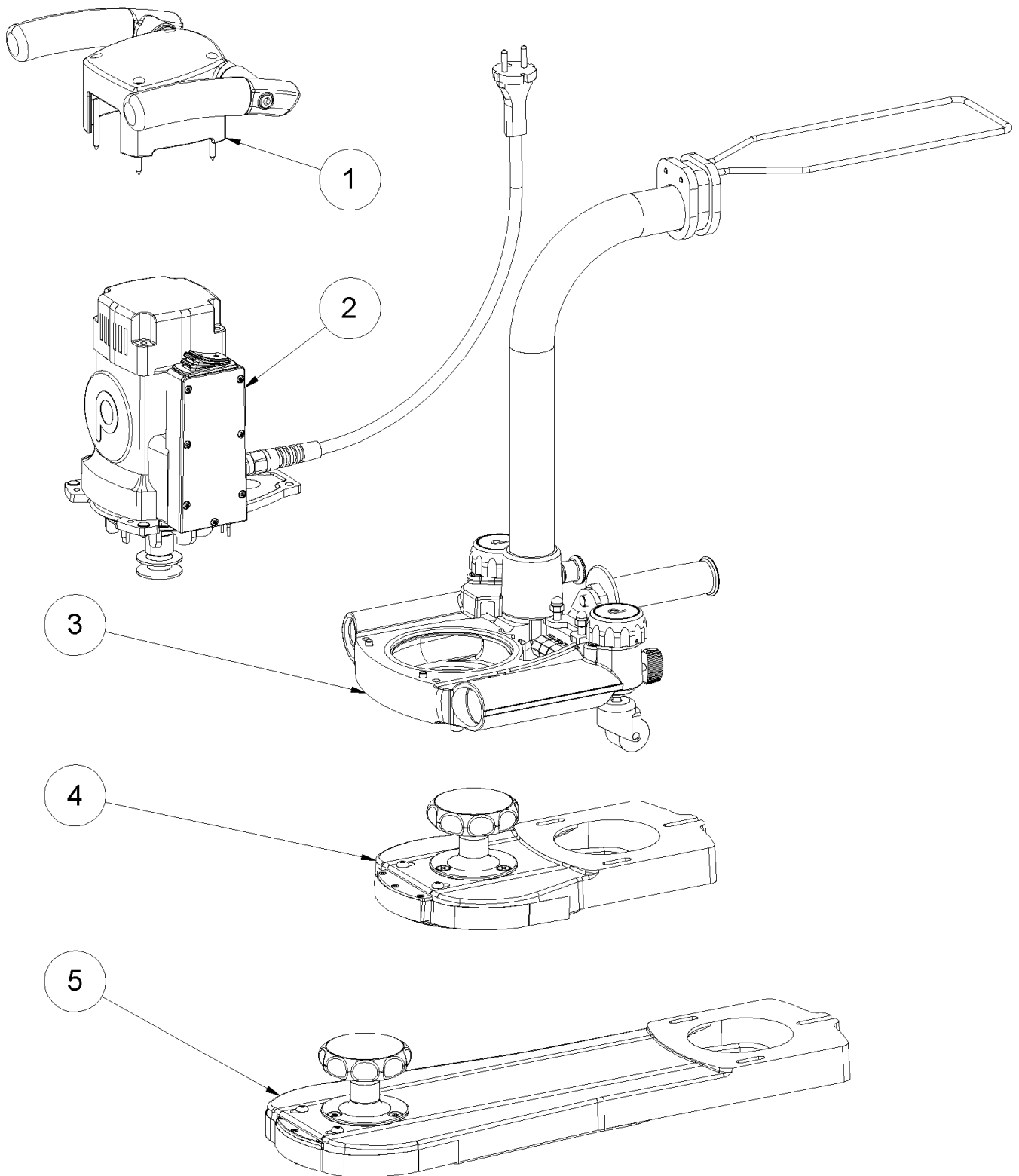
## 6 Circuit diagram

---

## 7 Tool kit

Item no.	Article no.	Description	Quantity
1	067309	Screw driver 1/4"	1
2	067310	Bit Box equipped SEE 169425	1
3	016725	Tool pocket empty	1
4	015315	Hearing protectors	1
5	016732	Fine dust mask Gecko/URS/Cobra	1
6	066603	DUST BAG GECKO STAR/PURE PALLMANN	1
7	016222	150012000 Attachment disk d150 Gecko	1
8	073274	VELCRO DISC BETWEEN D 150 MM	1
9	066720	v-Belt 10 x 500 mm	1
10	066717	v-Belt X10 x 1000 mm	1
11	065829	ATTACHMENT CPL.SHORT GECKOSTAR/PURE D150	1
12	065828	ATTACHMENT CPL.LONG GECKO STAR/PURE D150	1

### 3 Pallmann Gecko Star 2.0 230V Ø150 (0795/2022 - heute)

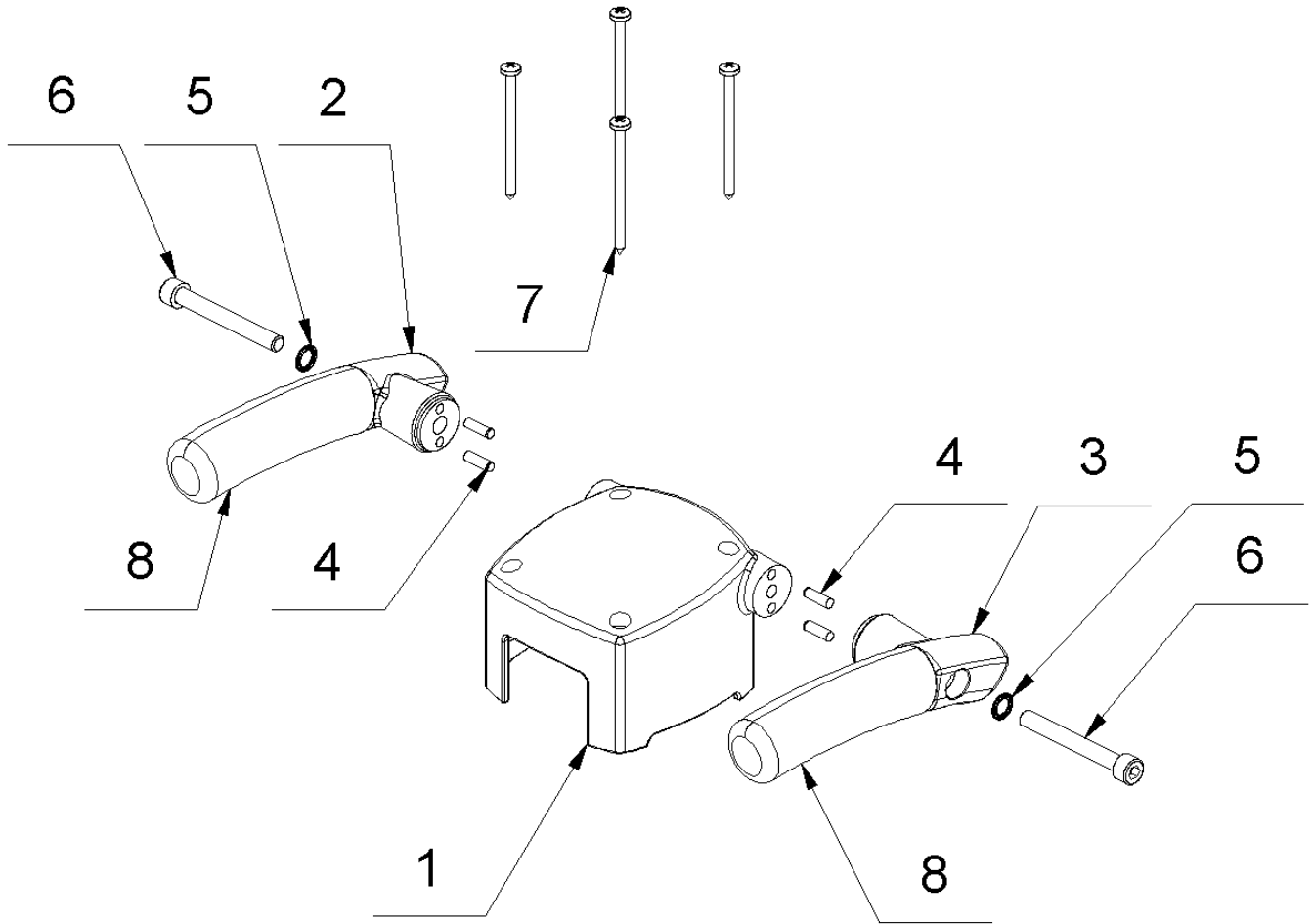


### 3 Pallmann Gecko Star 2.0 230V Ø150 (0795/2022 - heute)

Item no.	Article no.	Description
1	01_01_067301	Cover Motor
2	03_02_082729	Motor
3	01_03_082729	Chassis
4	03_06_065829	Short sanding arm Ø150 mm
5	03_07_065828	Long sanding arm Ø150 mm
6	01_06_067301	Circuit diagram
7	01_09_083869	Tool kit



# 1 Cover Motor

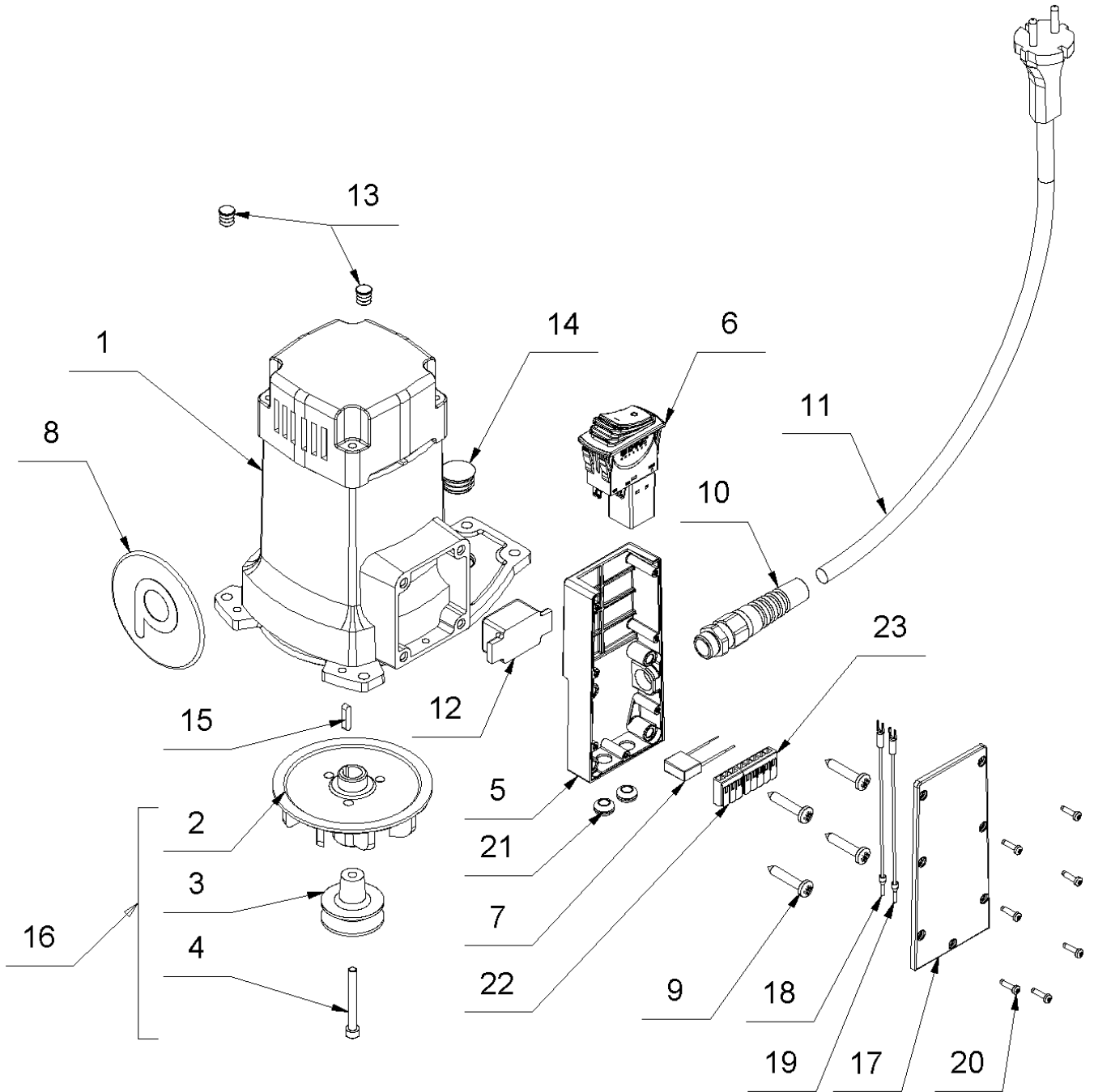


## 1 Cover Motor

---

Item no.	Article no.	Description	Quantity
1	067884	Motor hood Gecko Star/Pure	1
2	081093	Handle left w.grip cover Gecko Star/Pure	1
3	081090	Handle right w.grip cover GeckoStar/Pure	1
4	017723	Cylindrical pin 5x 16 DIN 6325	4
5	014860	Schnorr Washer M8	2
6	018251	Cylinder head screw M8x65 DIN 912	2
7	068311	Fillister head screw 4,8x80 DIN 7980C	4
8	047310	Grip covering Magura	2

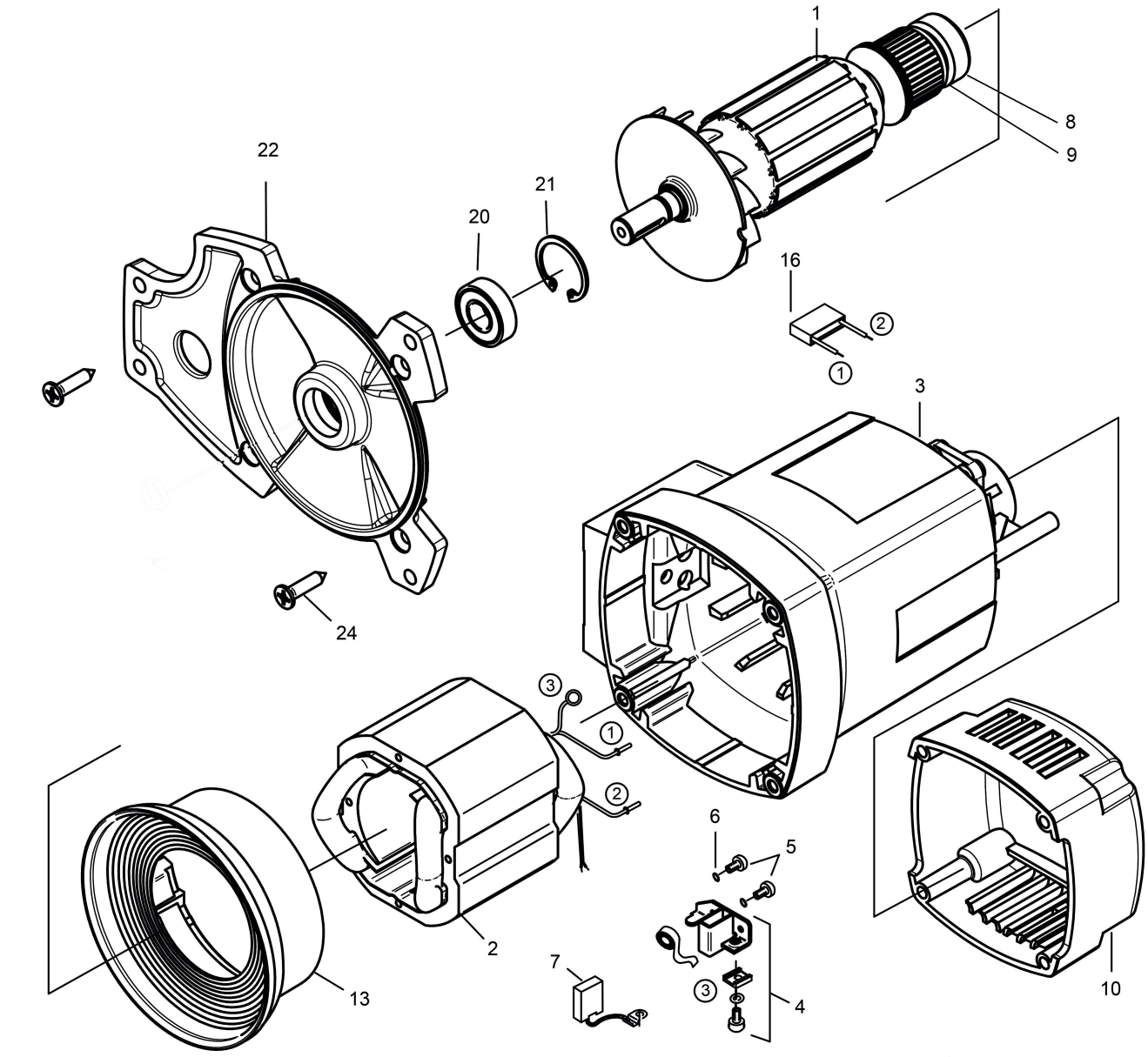
## 2 Motor



## 2 Motor

Item no.	Article no.	Description	Quantity
1	080464	motor cpl.230V/50-60Hz Gecko 2016	1
2	080204	Dust fan w.axle GeckoStar/Pure	1
3	079921	Motor pulley conus Gecko Star/Pure	1
4	060220	Cylinder head screw M5x45 10.9 micro	1
5	170188	Switchbox Gecko Star 2.0	1
6	168746	ETA protective switch Gecko Star 230V	1
7	067215	Interfer.condenserGeckoStar/PureSEE18771	1
8	129934	Label Pallmann 3D Ø 80mm	1
9	169578	Pan head tapping screw 5,5x32 ISO 7049	4
10	038585	Strain relief w.bending prot.M16x1,5	1
11	067264	El.cord 2x1 <sup>2</sup> x5m orange Schuko plug	1
12	081104	Power supply Gecko Star	1
13	019117	Stopper Ø7,0-8,4 x 11,5 black	2
14	068315	Stopper Ø 22,0x11,5 black	1
15	014900	Parallel key 4x4x18 DIN 6885	1
16	081512	Dust fan complete GeckoStar/Pure	1
17	169870	Cover Switchbox Gecko Star 2.0	1
18	169741	Single wire blue Gecko Star 2.0	1
19	169736	Single wire brown Gecko Star 2.0	1
20	083770	Lens head screw 3x12	7
21	083816	Diaphragm grommet one-sid 6.4/9.9 black	2
22	050145	Connection terminal 3-fold	1
23	072951	Terminal connector 5-fold	1
o.Abb.	019165	Plug 230V 3-polig Switzerland	1
o.Abb.	048554	Plug 3-pole 10A AUS	1

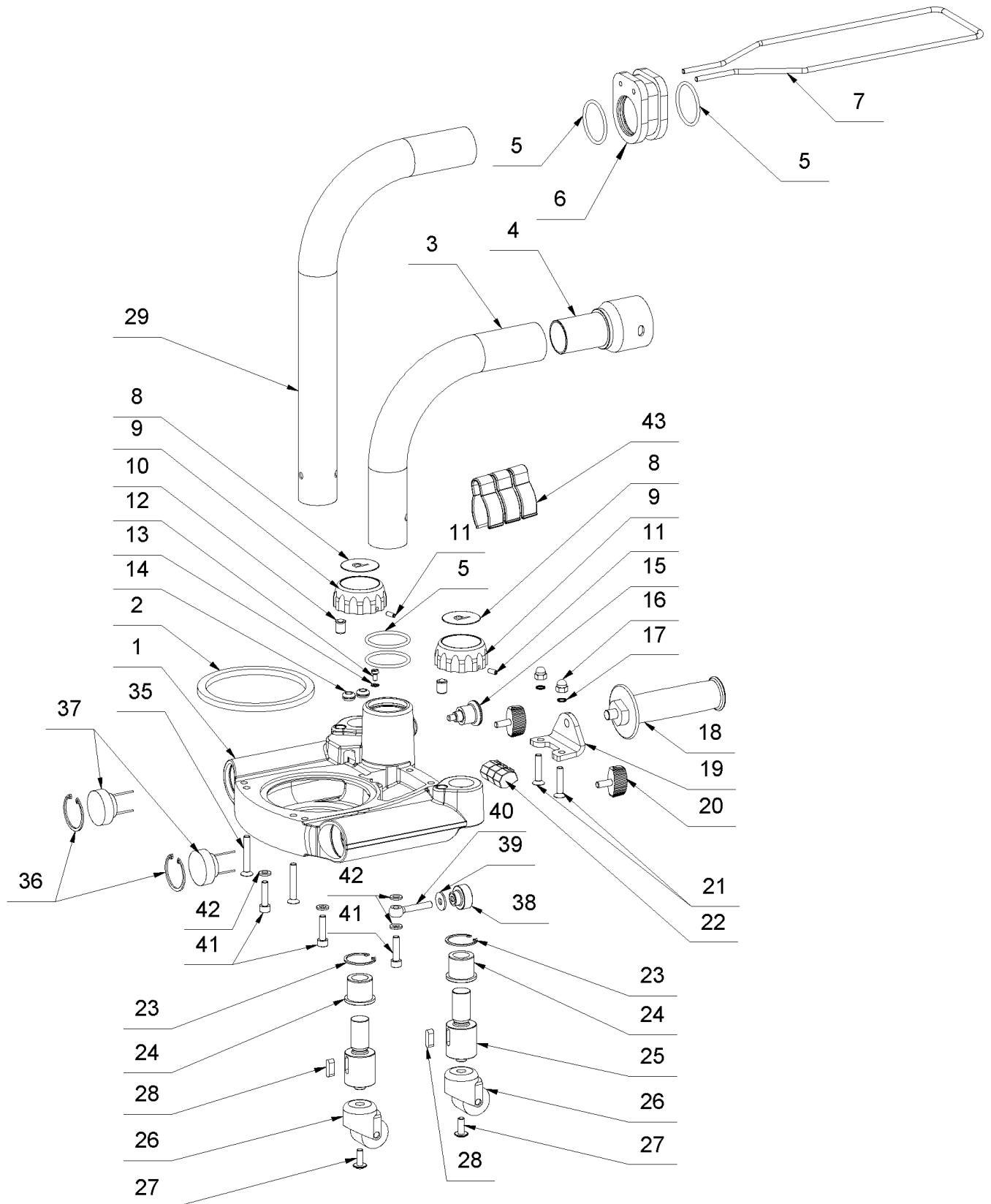
# 1 motor cpl.230V/50-60Hz Gecko 2016



## 1 motor cpl.230V/50-60Hz Gecko 2016

Item no.	Article no.	Description	Quantity
1	081342	Edge runner cpl.230V Gecko Star/Pure2016	1
2	081343	coil ring cpl.230V Gecko Star/Pure 2016	1
3	067195	Motor housing Gecko Star/Pure	1
4	067196	Carbon brush holder Gecko Star/Pure	2
5	067197	Screw ZM 4x12 GeckoStar	4
6	066724	Spring washer B M4 DIN 137	4
7	067199	Carbon brushes 2 pieces Gecko Star/Pure	1
8	077013	Bearing sleeve Gecko Star/Pure	1
9	084411	Ball bearing 6000 2Z C3	1
10	067204	Cap f.Motor housing Gecko Star/Pure	1
13	067214	Air guide ring cpl. Gecko Star/Pure	1
16	018771	Anti-interference capacitor	1
20	083870	Ball bearing 6001 2RSL/C3HT	1
21	017691	Circlip washer I28 DIN 472	1
22	056568	Bearing plate Gecko Star /Pure	1
24	067220	Counter sunk screw 5x25 Gecko Star/Pure	4

# 3 Chassis



### 3 Chassis

Item no.	Article no.	Description	Quantity
1	056565	Chassis Gecko Star/Pure	1
2	087388	Sealing ring Ø115x5x3 Gecko Star/Pure	1
3	066309	Dust pipe short Gecko Star/Pure	1
4	066218	Sleeve dust pipe Gecko/Dust	1
5	070634	O-Ring 38,5 x 3,00 - NBR 70	4
6	056592	Flange for Dust Bag Gecko Star/Pure	1
7	066292	Shackle for Dust Bag Gecko Star/Pure	1
8	066604	Scale thumbwheel Gecko Star/Pure	2
9	056593	Setting Wheel Gecko Star/Pure	2
10	017781	Ball catch	2
11	066664	Headless pin M4x10 /DIN 913	2
14	083816	Diaphragm grommet one-sid 6.4/9.9 black	2
15	052440	Arresting bolt	1
16	017687	Cap nut M 6 DIN 1587	2
17	014859	Schnorr washer M6	2
18	069284	Handle M10x10	1
19	068237	Angle grab handle Gecko Pure	1
20	070354	Wing screw GN 531 M6x16	2
21	017699	Countersunk screw M6x30 DIN 7991 10.9	2
22	050146	Connecting terminal 2-fold	3
23	053318	Circlip I30 DIN 472	2
24	056594	Steep thread nut Gecko Star/Pure	2
25	056595	Steep thread spindle Gecko Star/Pure	2
26	040268	Castor URS New	2
27	017552	Lens head screw M 6x16 ISO 7380	2
28	017731	Parallel key 6x6x18 DIN 6885	2
29	066310	dust pipe short long Gecko Star/Pure	1
35	056376	Countersunk screw M6x40 DIN 7991 10.9	2
36	018091	Circlip I35 DIN472	2
37	081103	LED-Spot Gecko Star	2
38	077014	Knurled nut M 6 DIN 6303	1
39	017724	Washer DIN 9021 6,4x18x1,6	1
40	048520	Eye screw M 6x40 DIN 444	1
41	066729	Cylinder head screw M 6x 25 ISO 14580	3

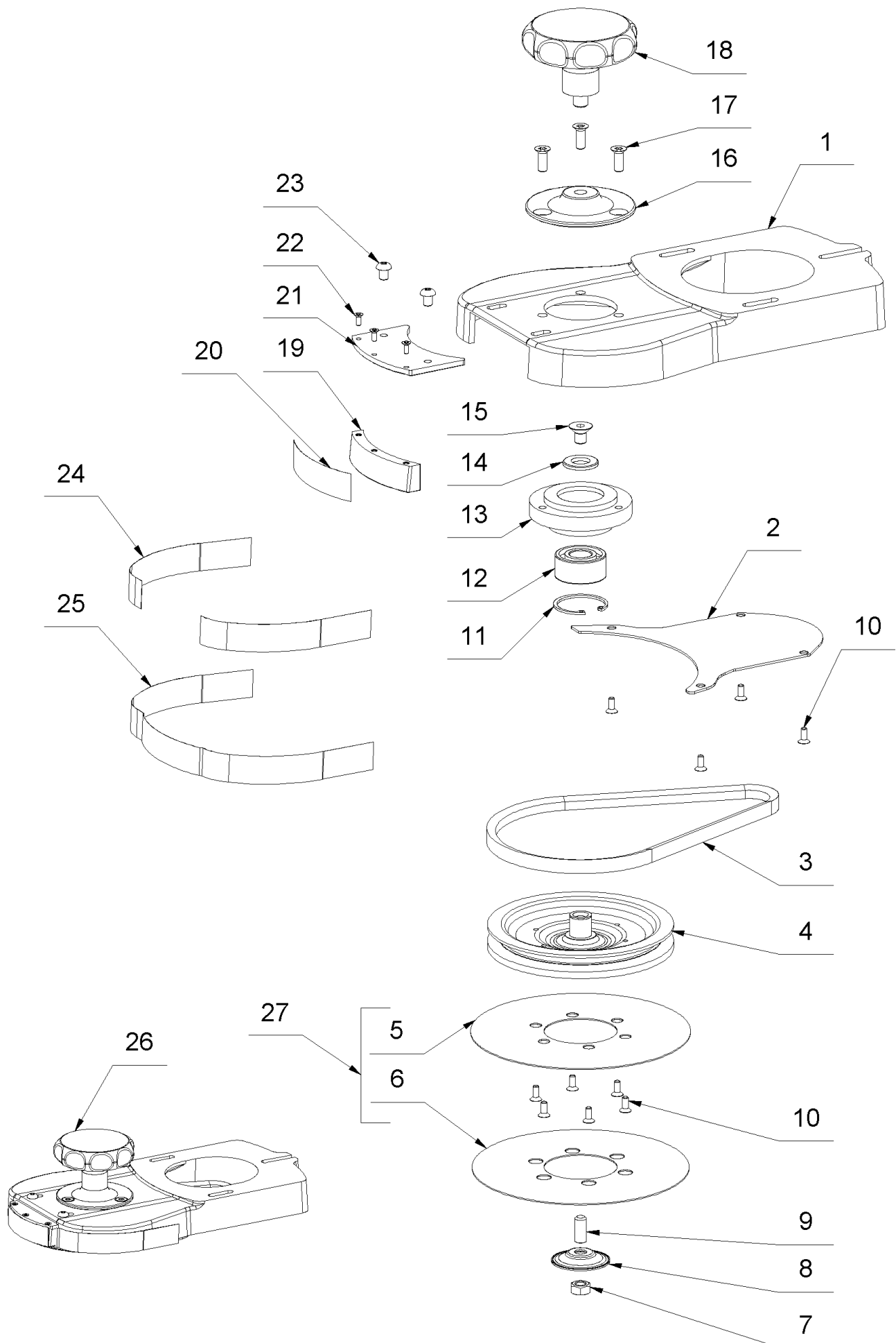


### 3 Chassis

---

Item no.	Article no.	Description	Quantity
42	014827	Washer M6 DIN 125 A	4
43	061621	Hose support	3

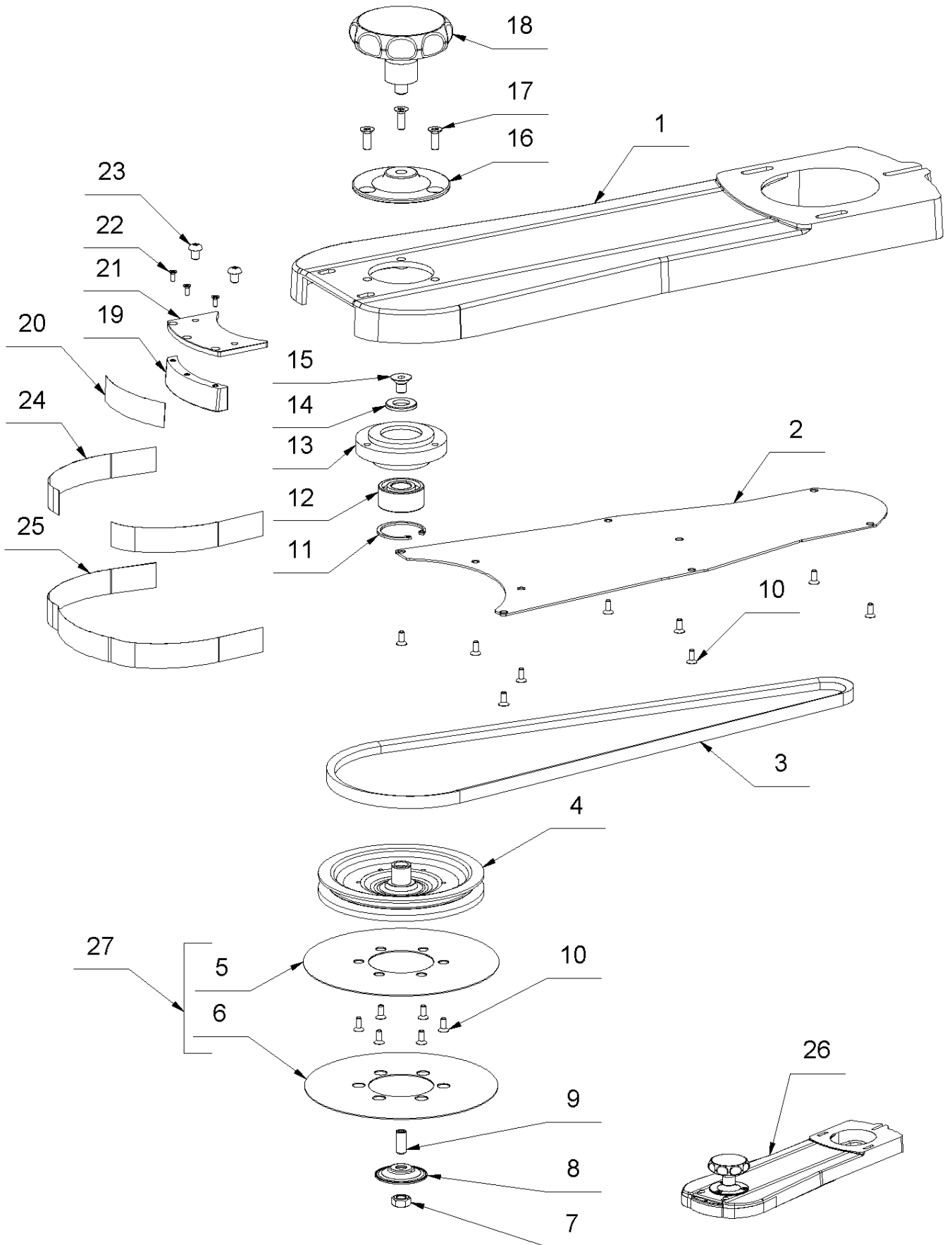
## 4 Short sanding arm Ø150 mm



## 4 Short sanding arm Ø150 mm

Item no.	Article no.	Description	Quantity
1	056572	short sanding arm casing150GeckoStarPure	1
2	066632	cover short Ø150mm Gecko Star/Pure	1
3	066720	v-Belt 10 x 500 mm	1
4	056596	belt pulley d150 Gecko Star/Pure	1
5	016223	150024000Steel disc Gecko	1
6	016222	150012000 Attachment disk d150 Gecko	1
7	014810	Hexagon nut M 8 DIN 934 I6I/I8I	1
8	082888	Clamping washer Gecko Star 2.0	1
9	085623	Headless pin M 8x18 microencapsulated	1
10	066727	Countersunk screw M 4x10 ISO 14581	10
11	018091	Circlip I35 DIN472	1
12	016707	Ball bearing Gecko Star/Pure	1
13	056598	Bearing flange Gecko Star/Pure	1
14	017741	Washer M14 DIN 125	1
15	038423	Counter sunk screw M8x12 DIN 7991 10.9	1
16	066631	Bearing cover Gecko Star/Pure	1
17	066726	Countersunk screw M 6x16 ISO 14581	3
18	066641	Handle cantilever arm Gecko Star/Pure	1
19	066639	Slide bar Gecko Star/Pure	1
20	070986	Velcro tape for gliders	1
21	066640	Adjusting plate Gecko Star/Pure	1
22	066725	Countersunk screw M 3x 8 ISO 14581	3
23	066728	Fillister head screw M6x 8 ISO7380	2
24	070982	Velcro f.Sanding attachment D150	1
25	070987	Velor band f.Sanding attachment D150	1
26	065829	ATTACHMENT CPL.SHORT GECKOSTAR/PURE D150	1
27	016817	spring steel disc+Klett lock disc	1

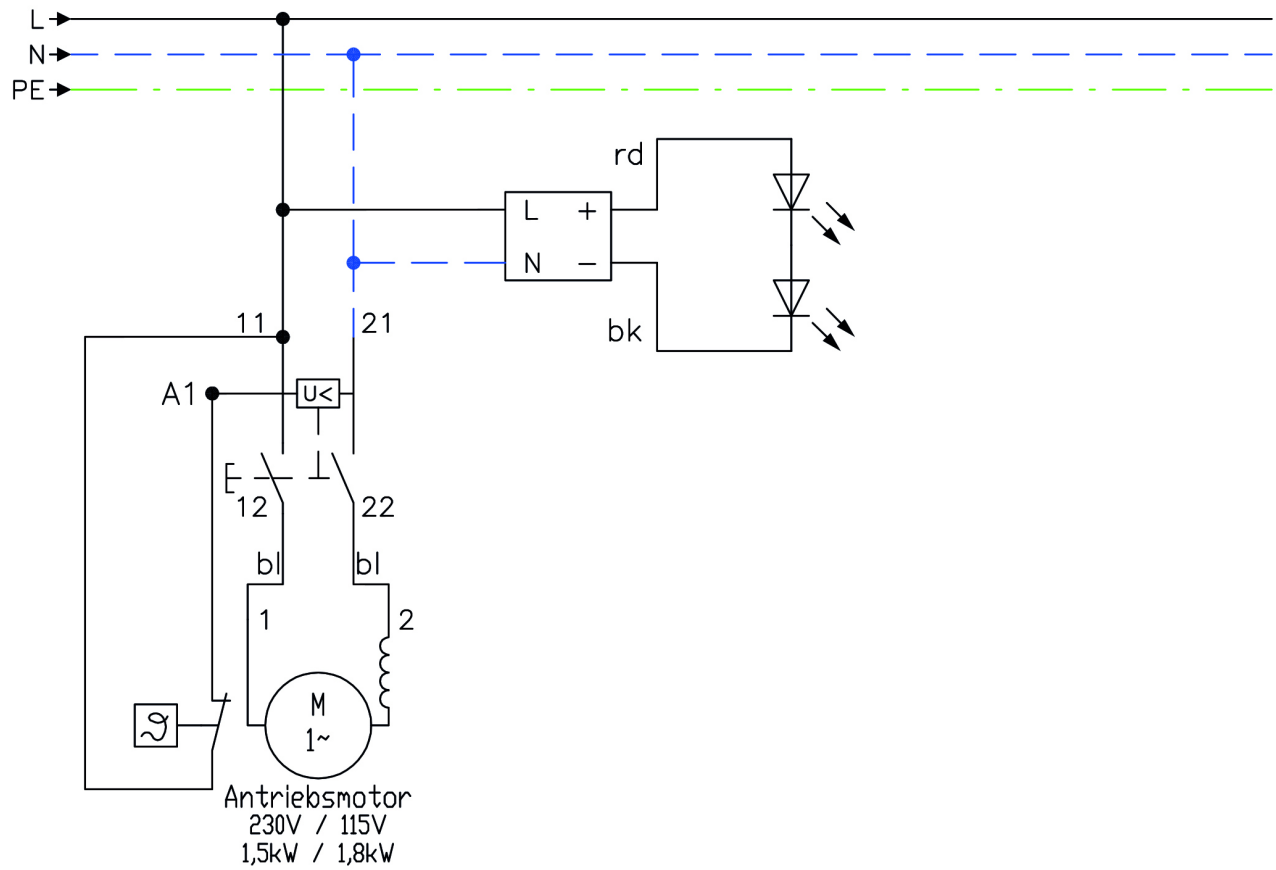
# 5 Long sanding arm Ø150 mm



## 5 Long sanding arm Ø150 mm

Item no.	Article no.	Description	Quantity
1	056570	Long sanding arm casing150 GeckoStarPure	1
2	066633	cover long Ø150mm Gecko Star/Pure	1
3	066717	v-Belt X10 x 1000 mm	1
4	056596	belt pulley d150 Gecko Star/Pure	1
5	016223	150024000Steel disc Gecko	1
6	016222	150012000 Attachment disk d150 Gecko	1
7	014810	Hexagon nut M 8 DIN 934 I6I/I8I	1
8	082888	Clamping washer Gecko Star 2.0	1
9	085623	Headless pin M 8x18 microencapsulated	1
10	066727	Countersunk screw M 4x10 ISO 14581	15
11	018091	Circlip I35 DIN472	1
12	016707	Ball bearing Gecko Star/Pure	1
13	056598	Bearing flange Gecko Star/Pure	1
14	017741	Washer M14 DIN 125	1
15	038423	Counter sunk screw M8x12 DIN 7991 10.9	1
16	066631	Bearing cover Gecko Star/Pure	1
17	066726	Countersunk screw M 6x16 ISO 14581	3
18	066641	Handle cantilever arm Gecko Star/Pure	1
19	066639	Slide bar Gecko Star/Pure	1
20	070986	Velcro tape for gliders	1
21	066640	Adjusting plate Gecko Star/Pure	1
22	066725	Countersunk screw M 3x 8 ISO 14581	3
23	066728	Fillister head screw M6x 8 ISO7380	2
24	070982	Velcro f.Sanding attachment D150	1
25	070987	Velor band f.Sanding attachment D150	1
26	065828	ATTACHMENT CPL.LONG GECKO STAR/PURE D150	1
27	016817	spring steel disc+Klett lock disc	1

## 6 Circuit diagram



## 6 Circuit diagram

---

## 7 Tool kit

Item no.	Article no.	Description	Quantity
1	067309	Screw driver 1/4"	1
2	067310	Bit Box equipped SEE 169425	1
3	016725	Tool pocket empty	1
4	015315	Hearing protectors	1
5	016732	Fine dust mask Gecko/URS/Cobra	1
6	066603	DUST BAG GECKO STAR/PURE PALLMANN	1
7	016222	150012000 Attachment disk d150 Gecko	1
8	073274	VELCRO DISC BETWEEN D 150 MM	1
9	066720	v-Belt 10 x 500 mm	1
10	066717	v-Belt X10 x 1000 mm	1
11	065829	ATTACHMENT CPL.SHORT GECKOSTAR/PURE D150	1
12	065828	ATTACHMENT CPL.LONG GECKO STAR/PURE D150	1