



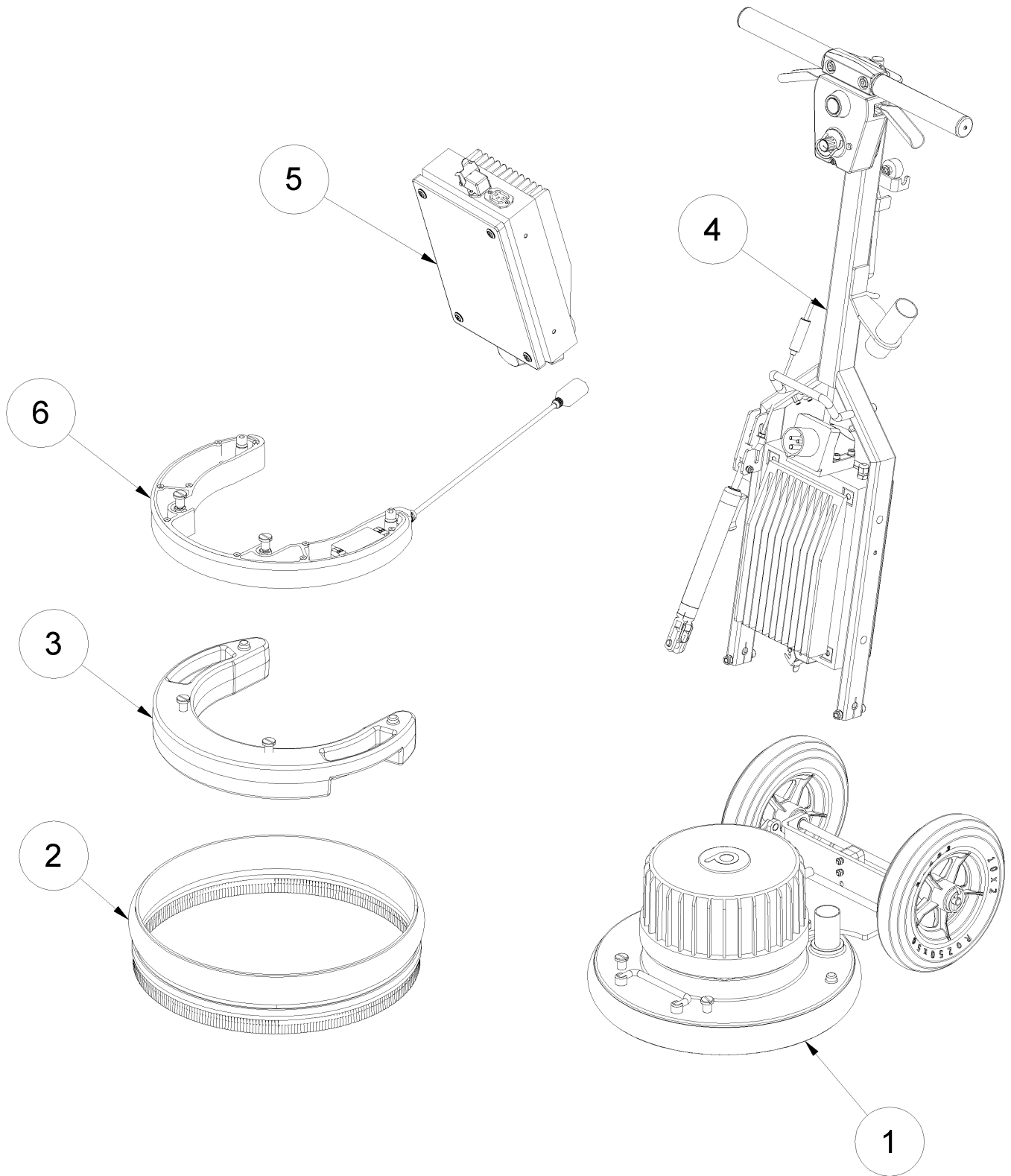
spare parts list
Pallmann Spider 230V EU



Table of contents

Pallmann Spider (0001/2013 - heute)	3
1 Motor housing	5
2 Motor Brushless10:1 Clarke DSW400	7
2 Dust seal	9
3 Additional weight	11
4 Handle compl.	13
3 Two-hand switch 20A	16
5 Electronic	18
6 Light ring	20
7 Circuit	23
8 Tool Kit	25
9 Accessories	26

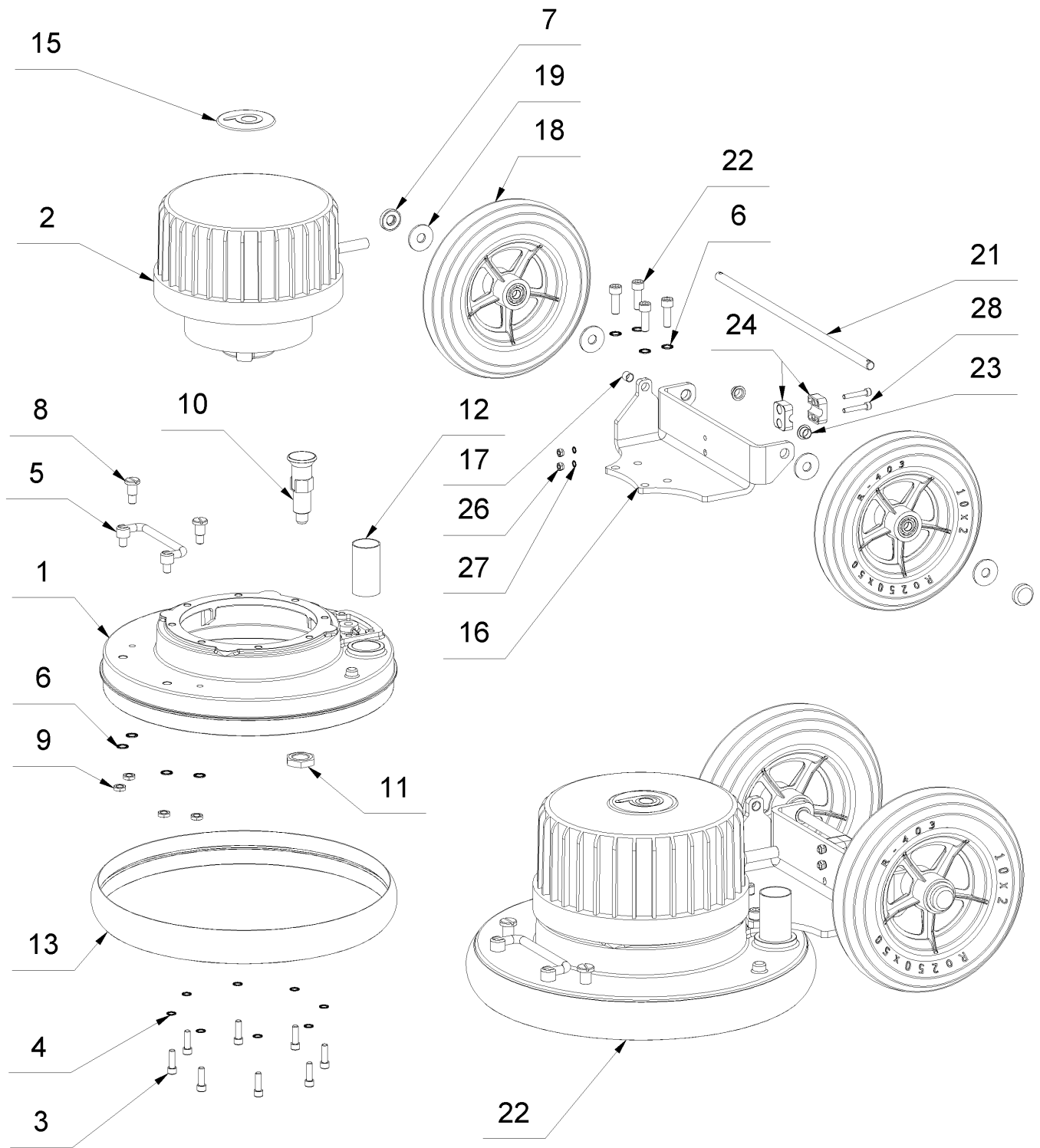
Pallmann Spider (0001/2013 - heute)



Pallmann Spider (0001/2013 - heute)

Item no.	Article no.	Description
1	01_01_078319	Motor housing
2	01_02_072070	Dust seal
3	01_03_072070	Additional weight
4	01_04_072160	Handle compl.
5	01_05_072159	Electronic
6	01_06_162715	Light ring
7	01_08_072070	Circuit
8	01_08_080167	Tool Kit
9		Accessories

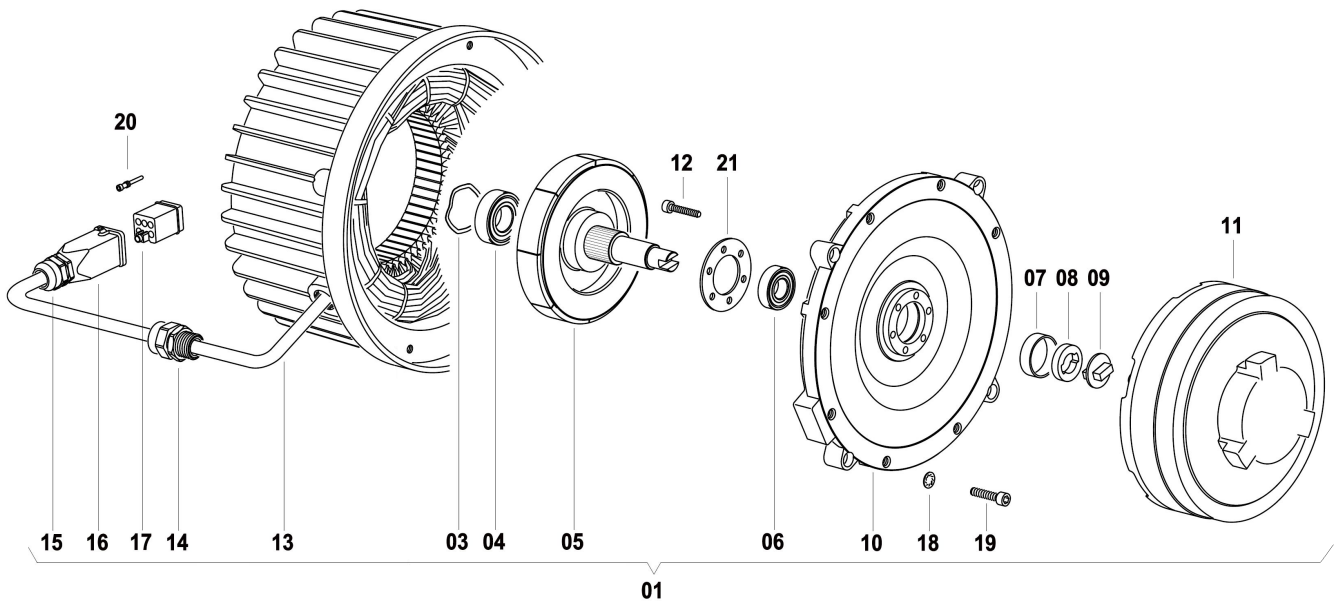
1 Motor housing



1 Motor housing

Item no.	Article no.	Description	Quantity
1	078324	Motor housing grey DSW 400	1
2	072071	Motor Brushless10:1 Clarke DSW400	1
3	037936	Socket Head Cap Screw 5/16"-18UNC x 2"	8
4	014860	Schnorr Washer M8	8
5	072139	Foldable handle DSW400	1
6	014861	Washer M10	8
7	162899	Starlockcap - Spider/DSW400	2
8	072156	Flat head screw M10x16 DIN 923	2
9	017667	Hexagon nut M10 DIN 936 flat	4
10	072154	Locking pin size 5 Form C - M24x2 Ø16	1
11	072155	Hexagon nut M24x2 DIN 936	1
12	072338	Vacuclean suction tubed38x1,5 DSW400	1
13	072068	Rubber shock housing l=1220 DSW400	1
14	137491	Label Frank 3D Ø80mm	1
15	129934	Label Pallmann 3D Ø 80mm	1
16	072183	Chassis DSW400	1
17	014912	Bushing 1010	1
18	072229	Wheel d250mm DSW400	2
19	017637	Washer 13x37x3 DIN 9021	4
21	072141	Axle chassis DSW400	1
22	018300	Cylinder head screw M10x30 DIN 912	4
23	019090	Bushing BB 1209 DU	2
24	010134	Strain relief clamp for cable	2
26	014815	Hexagon nut M6 DIN985	2
27	014859	Schnorr washer M6	2
28	018264	Cylinder head screw M 6x35 DIN 912	2

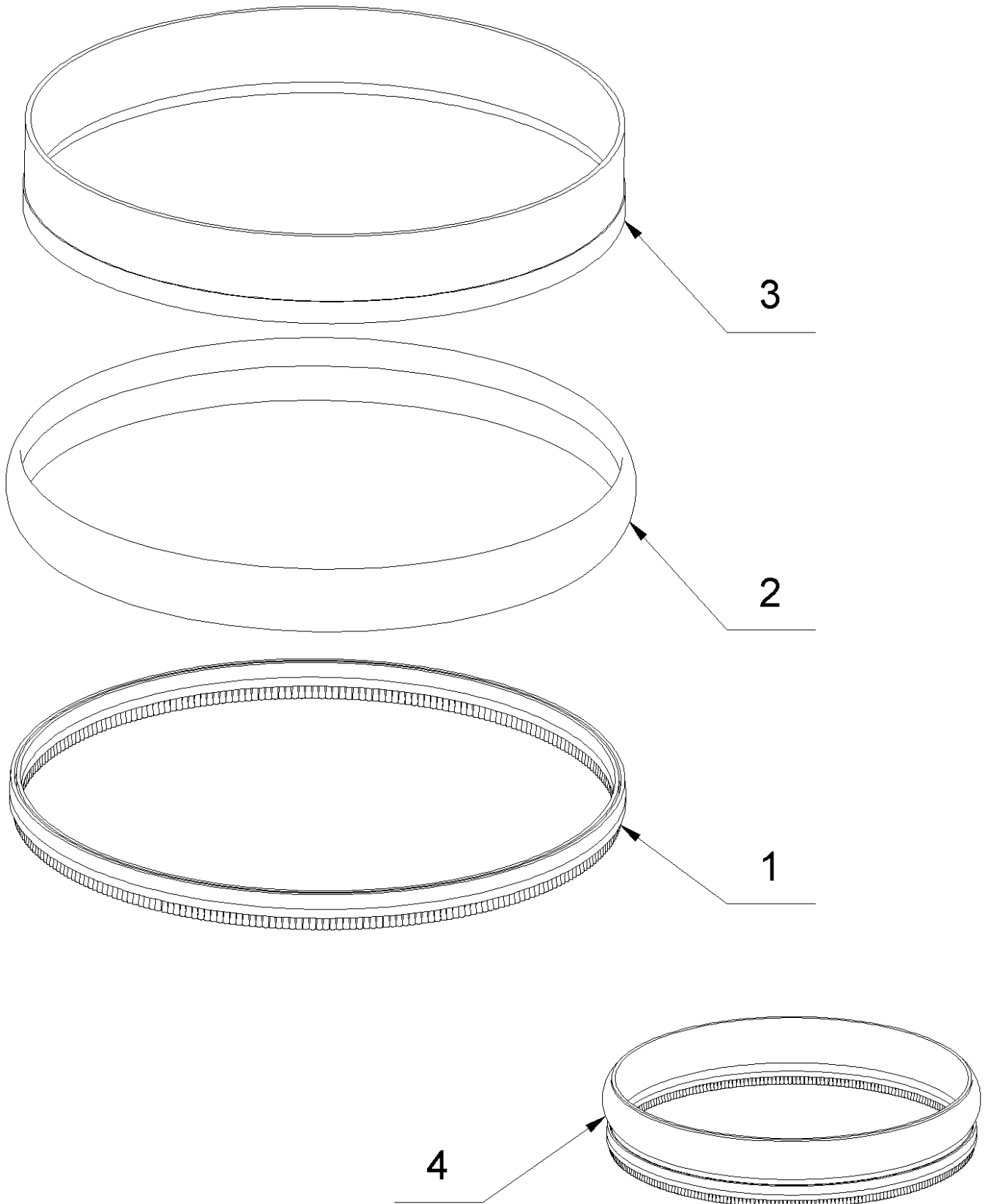
2 Motor Brushless10:1 Clarke DSW400



2 Motor Brushless10:1 Clarke DSW400

Item no.	Article no.	Description	Quantity
01		Motor, compl.	1
03	073323	Spring washer f.Motor Mambo	2
04	017210	Ball bearing 6203 2RS Eco-Motor	1
05	067882	Axle w.rotor Mambo Evo	1
06	014702	Ball-bearing 6002 2RS	1
07	064752	Spacer motor brushless Mambo 2	1
08	064753	Driving plate motor brushless Mambo 2	1
09	084248	Coupling piece motor Mambo/Spider	1
10	079171	Bearing plate motor Mambo	1
11	069159	Getriebe 10:1 mit Clark Kupplung	1
12	059872	Cylinder head screw 10-32 UNFx1 1/4ähnl	6
13		Cable	1
14	019299	Bolt joint PG 13.5 50013 PA	1
15	014992	Protective cut-out switch	1
16	079237	Housing	1
17	079236	Pinhole	1
18	014859	Schnorr washer M6	4
19	014731	Cylinder head screw M6x25 DIN 912	4
20	174067	Contact pin CCMA 0.75	5
20	174070	Contact pin CCMA 1,5	5
21	082566	Washer MotorBrushless Mambo/Spider	1
22	059858	O-Ring 150x2	1
23	052320	O-Ring 50x2	6
24	059860	Sealing Ring Cu A 5x 9 DIN 7603	6

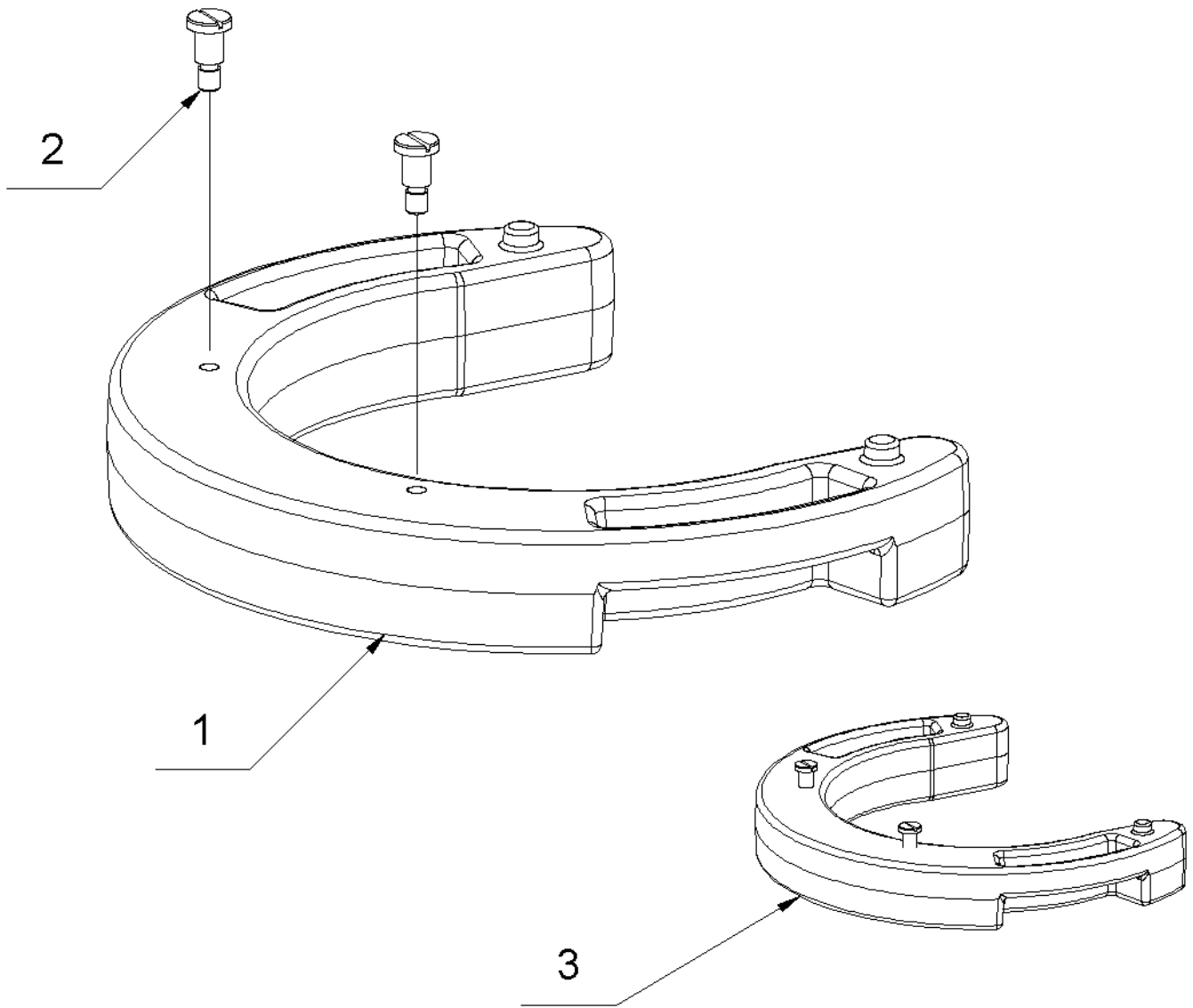
2 Dust seal



2 Dust seal

Item no.	Article no.	Description	Quantity
1	072158	Brush f.dust seal DSW400	1
2	072069	Rubber shock dust seal l=1320mmDSW/Spide	1
3	072149	Dust seal DSW400	1
4	072157	Dust seal ring 10mm cpl. DSW400/Spider	1

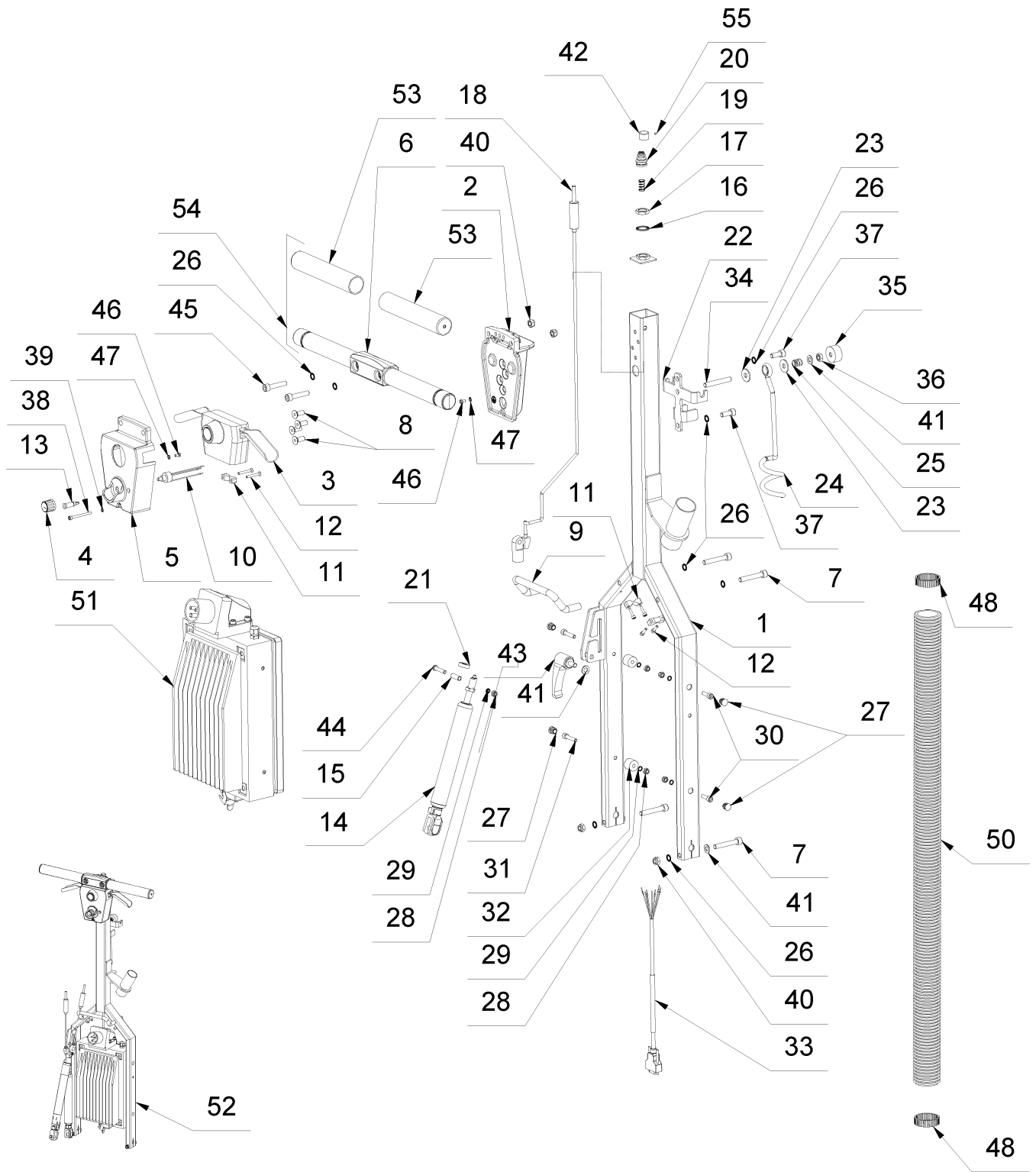
3 Additional weight



3 Additional weight

Item no.	Article no.	Description	Quantity
1	072148	Additional weight 400	1
2	072156	Flat head screw M10x16 DIN 923	2
3	072225	ADDITIONAL WEIGHT 400	1

4 Handle compl.



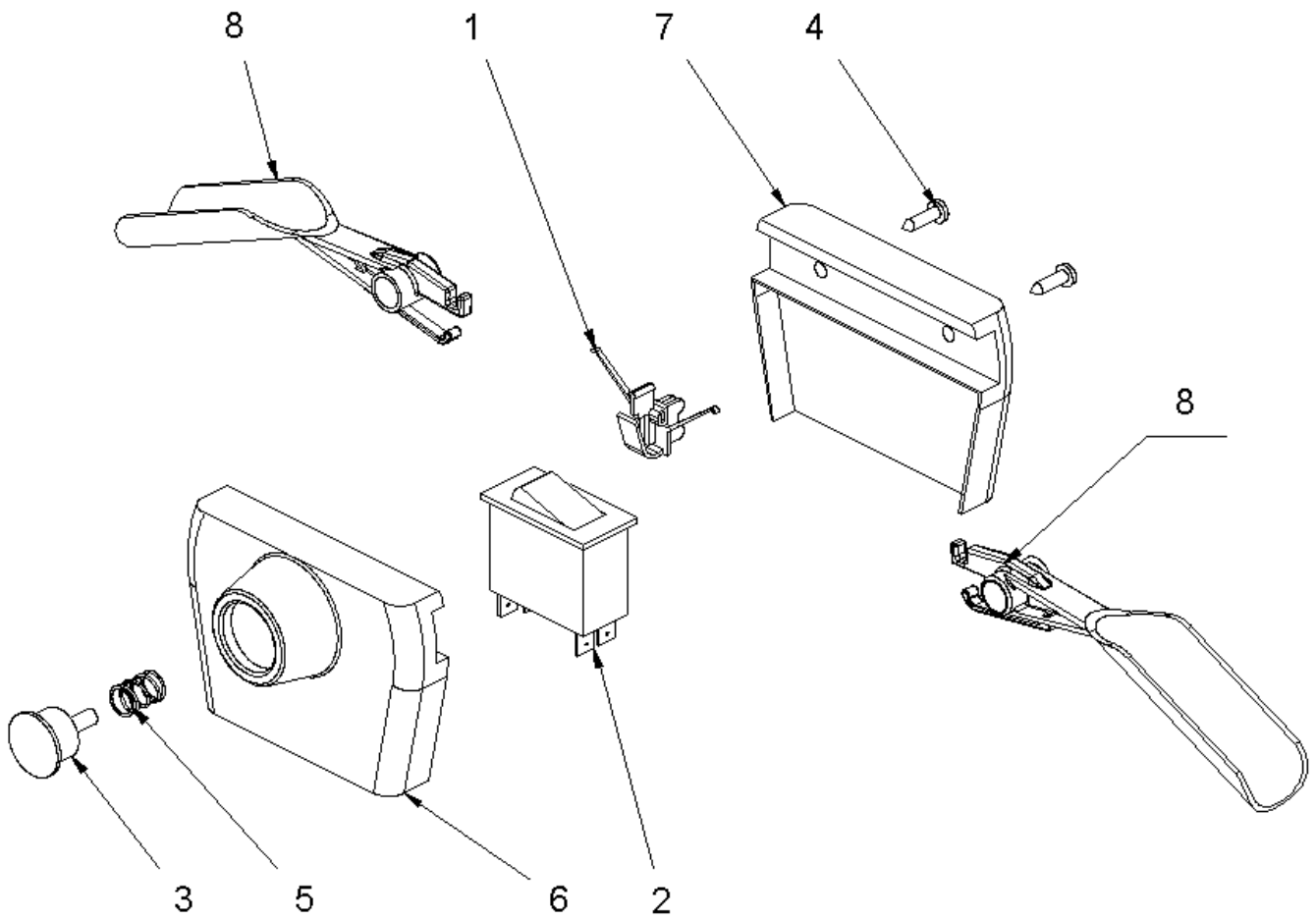
4 Handle compl.

Item no.	Article no.	Description	Quantity
1	072135	SG Handle DSW400	1
2	078323	Base support orange Spider	1
3	015000	Two-hand switch 20A	1
4	014647	Knob with cover f.potentiometer	1
5	061745	Switch housing anthrazit MamboEvo	1
6	086134	Handgrip round long Ø31 x 470 mm	1
7	017551	Cylinder head screw M8x50 DIN 912	4
8	014760	Countersunk screw M8x20 DIN 7991 10.9	4
9	072153	Machine handle angled	1
10	037939	Potentiometer 5KOhm with cable	1
11	017709	Cable clamp plastic	4
12	017743	Cylinder head screw M4x16 DIN 912	4
13	083823	LED for signal lamp	1
14	072136	Gas pressure spring DSW400	2
15	081841	Axle tube verzinkt 21,8x8x6,2	1
16	034216	Safety washer M16	1
17	060749	Hexagon nut Mambo2/Spider	3
18	072138	Trigger head DSW400	2
19	060727	Pressure spring 10,80x20x0,80	1
20	060722	Rubber gaiter Mambo Evo/Spider	1
21	060733	Bearing damper Mambo Evo/Spider	1
22	038934	Clamping device f.cable arm set Mambo 2	1
23	018737	Washer 8,4x24x2 DIN 9021 galv.	2
24	016665	331/40 Cable arm short USA	1
25	043827	Pressure spring 13x20x1,5	1
26	014860	Schnorr Washer M8	8
27	068566	Stopper Ø13,0x0,75 black	4
28	014815	Hexagon nut M6 DIN985	5
29	014859	Schnorr washer M6	5
30	014730	Cylinder head screw M 6x20 DIN 912	2
31	017678	Cylinder head screw M6x30 DIN 912	2
32	072140	Spacer sleeve DSW400	2
33	072858	Control cable DSW400	1
34	072483	Stud bolt M 8x45 DIN 835	1

4 Handle compl.

Item no.	Article no.	Description	Quantity
35	072486	Gummi-Metallpuffer 30x15-M8 Typ E	1
36	014810	Hexagon nut M 8 DIN 934 I6I/I8I	1
37	014734	Cylinder head screw M8x20 DIN 912	2
38	017684	Cylinder head screw M4x45 DIN 912	1
39	016961	Snorr washer M4	1
40	014816	Hexagon nut M8 DIN 985	4
41	014828	Washer M8 DIN 125 A	4
42	060710	Switch Mambo Evo/Spider	1
43	072490	Clamping lever M 8x16	1
44	062844	Lens head screw M 6x30 ISO 7380	1
45	014738	Cylinder head screw M 8x40 DIN 912	2
46	017473	Cylinder head screw M4x8 DIN 84 brass	2
47	017663	Tooth lock washer 4.3 Form A DIN 6797	2
48	086123	Hose clamp, 32-50mm	2
49	037047	Counter sunk screw M4x30 DIN 7991 Torx	2
50	072382	Dust extraction hose DSW400	1
51	072159	Electronic cpl.230V DSW400	1
52	072160	Handle cpl. DSW400	1
53	086088	PVC-grip covering Ø30x180mm	2
54	086091	BG-handel round long	1

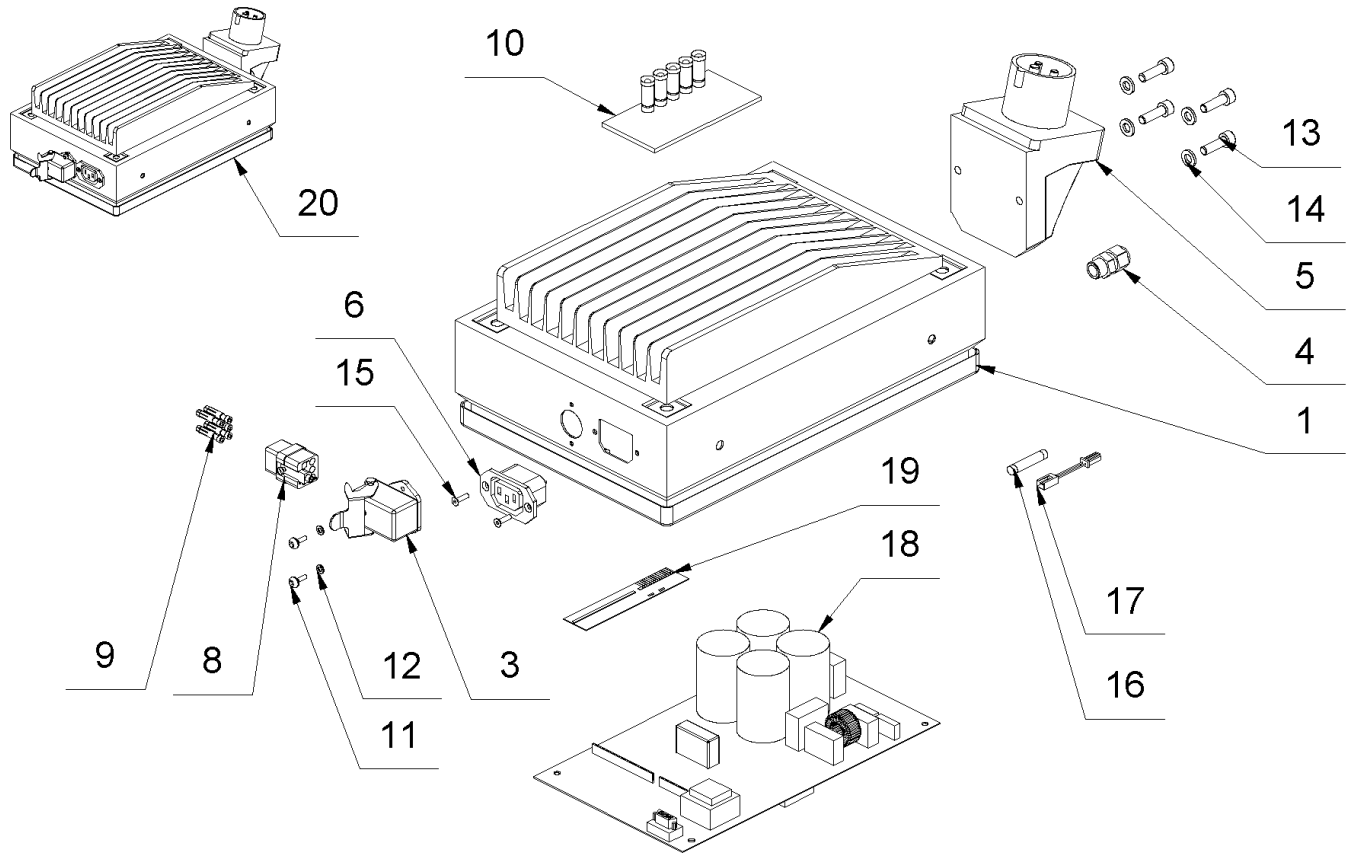
3 Two-hand switch 20A



3 Two-hand switch 20A

Item no.	Article no.	Description	Quantity
1	017449	Switch mechanics for two hand switch	1
2	019538	Switch 20A Mambo	1
3	019539	Push button Mambo	1
4	019540	Pan-head tapping screw 4.2x16 DIN 7981 C	2
5	019541	Pressure spring 11x15x1	1
6	019547	Housing f.2hand switch Mambo	1
7	019548	cover for Two-hand switch Mambo	1
8	019549	Shift handle for two-hand switch Mambo	2

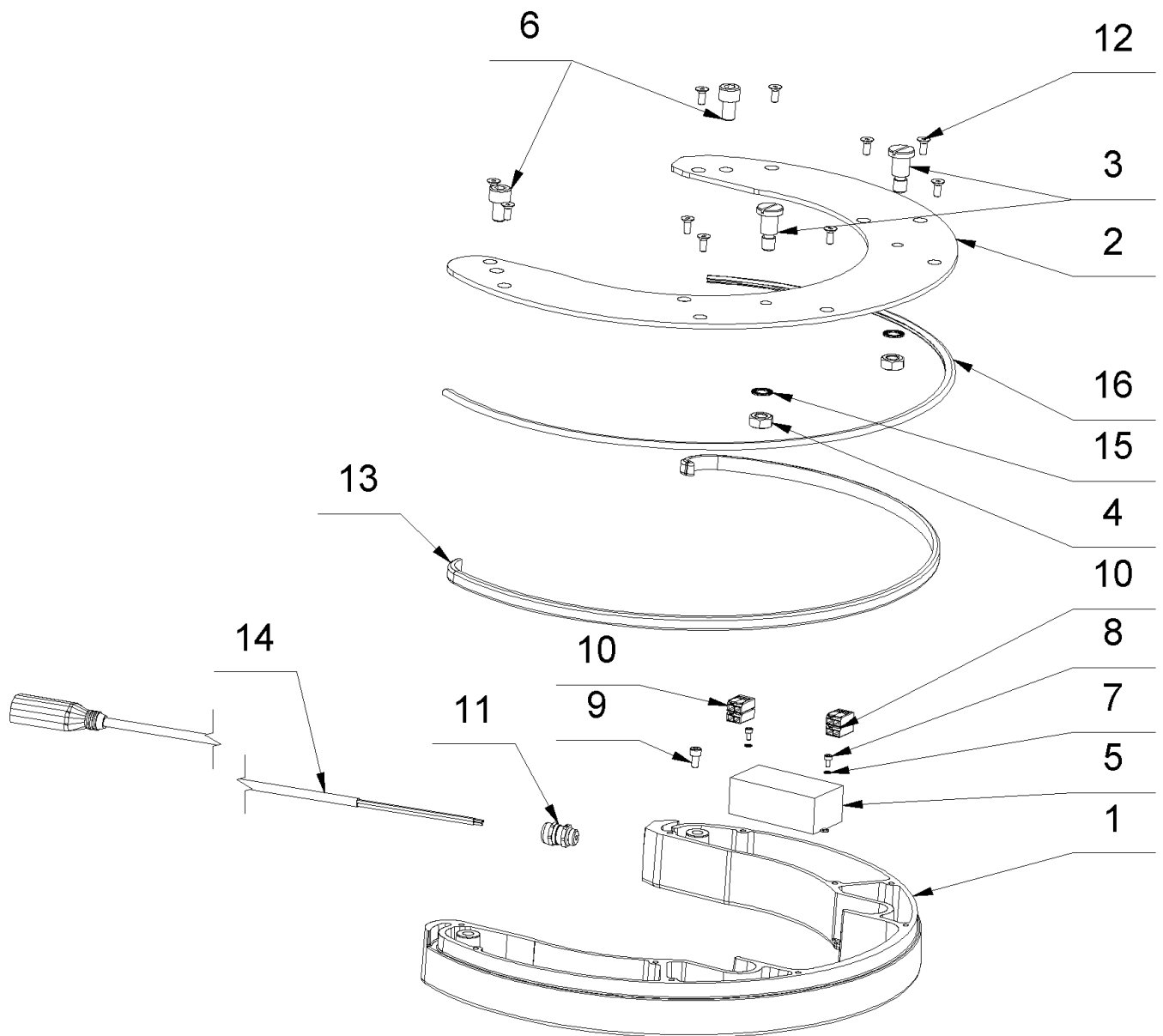
5 Electronic



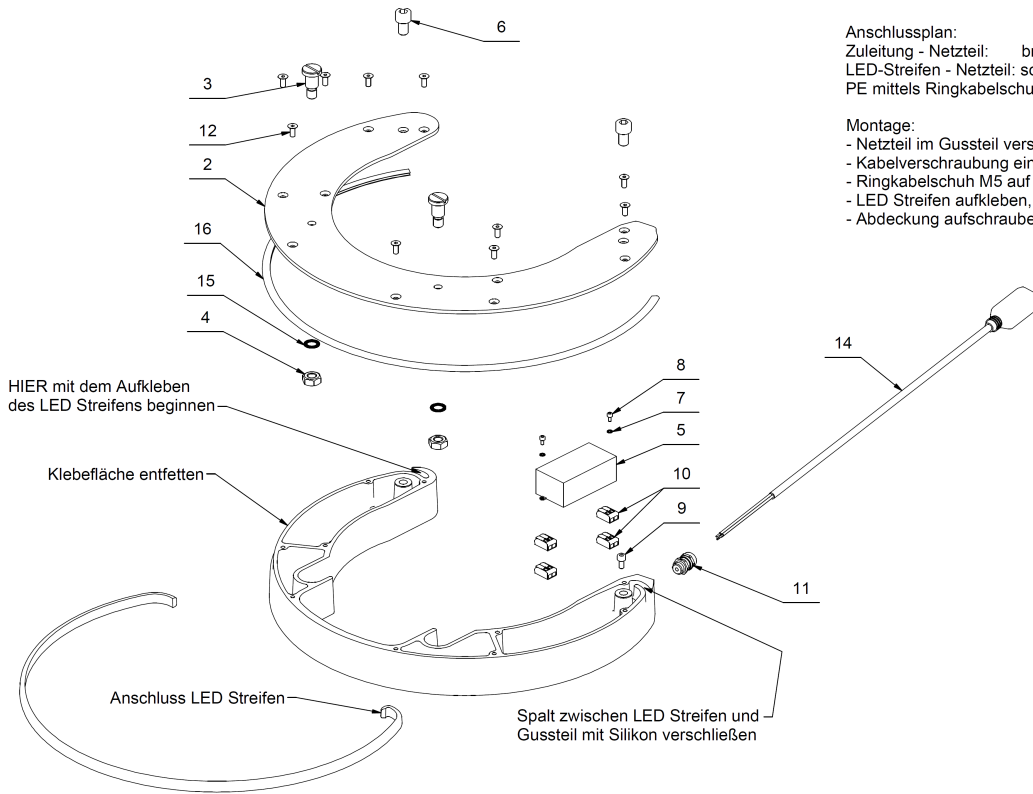
5 Electronic

Item no.	Article no.	Description	Quantity
1	080627	Terminal box Elektronik DSW400	1
3	039372	Housing Vario-Silent	1
4	047934	Screw connect M12x1,5 USA	1
5	080530	CEE panel connector blue 16A 3pol DSW400	1
6	039393	Installed equipment box 250V 10A	1
8	080628	Bushing hole DSW400/Mambo	1
9	068007	Bushing Cayman Stripper	5
10	079816	LED Strip Electronic DSW400	1
11	016763	Lens screw M 3x16 DIN 7985	2
12	043830	Spring washer 4 DIN 127	2
13	014730	Cylinder head screw M 6x20 DIN 912	4
14	014827	Washer M6 DIN 125 A	4
15	018331	Countersunk screw M3x12 DIN 7991 10.9	2
16	071416	Electrical fuse 6,3x32mm flink 20A	1
17	085919	Adapter Resistance 380Ω DSW400	1
18	082110	Motherboard electronic 230V DSW400	1
19	084018	Control Board Version 2.6	1
20	072159	Electronic cpl.230V DSW400	1

6 Light ring



6 Light ring



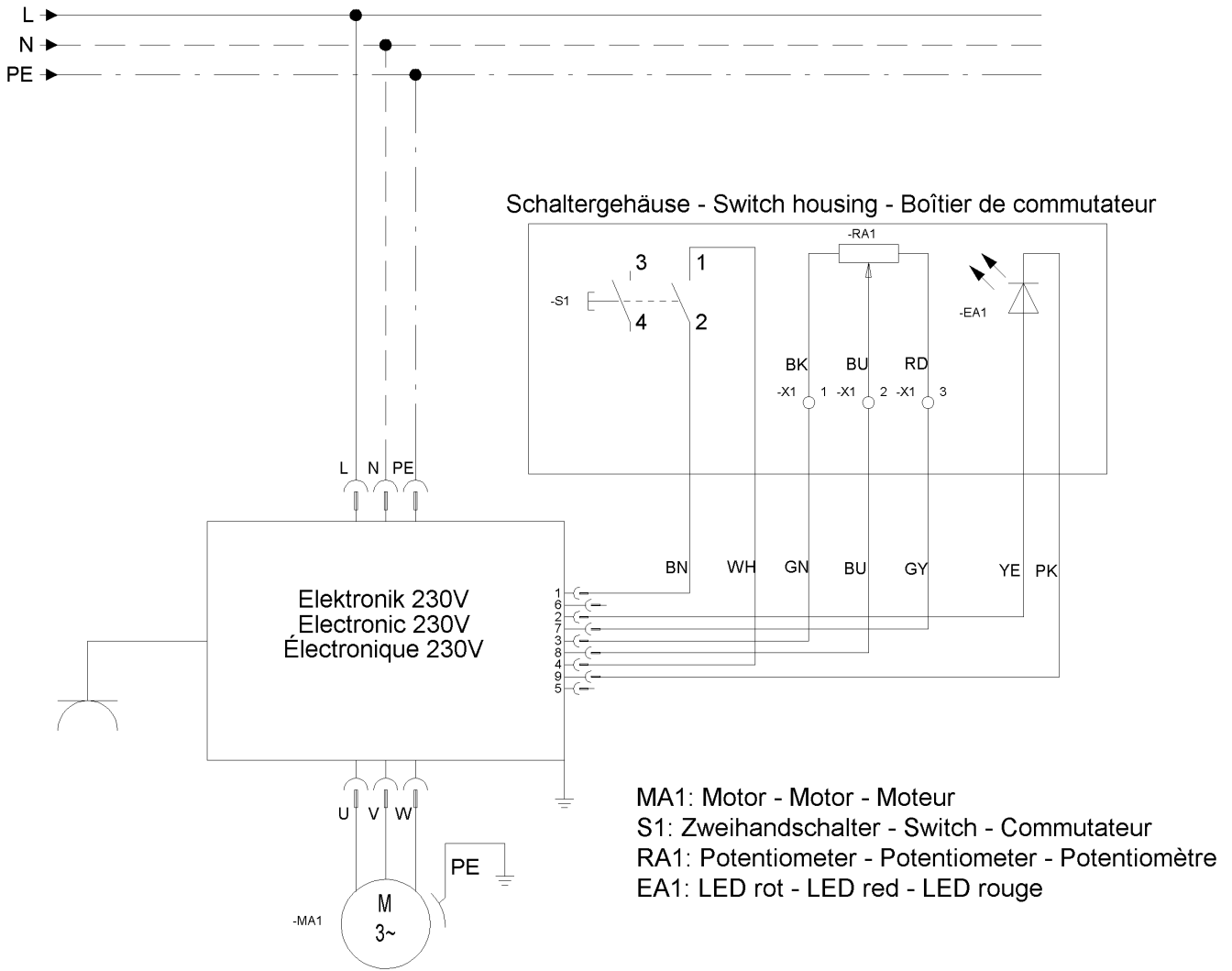
Anschlussplan:
 Zuleitung - Netzteil: braun - braun; blau - blau
 LED-Streifen - Netzteil: schwarz - schwarz; rot - rot
 PE mittels Ringkabelschuh M5 im Gussteil befestigen

Montage:
 - Netzteil im Gussteil verschrauben
 - Kabelverschraubung einschrauben und Zuleitung einführen
 - Ringkabelschuh M5 auf grün-gelbe Ader aufquetschen
 - LED Streifen aufkleben, Deckstreifen schrittweise abziehen
 - Abdeckung aufschrauben

6 Light ring

Item no.	Article no.	Description	Quantity
1	161126	Light ring Pallmann Spider	1
2	161815	Cover light ring Pallmann Spider	1
3	072156	Flat head screw M10x16 DIN 923	2
4	014811	Hexagon nut M 10 DIN 934	2
5	161671	Power supply unit 24V 16W Spider 2.0	1
6	014740	Cylinder head screw M10x16 DIN 912 10.9	2
7	017772	Schnorr washer M3	2
8	053439	Cylinder head screw M3x6 DIN 912	2
9	014719	Cylinder head screw M5x10 DIN 912	1
10	050146	Connecting terminal 2-fold	4
11	089582	Presse-étoupe MS-M 12x1,5/KB 3,5-7	1
12	017747	Countersunk screw M5x12 DIN 7991	10
13	162744	LED Strip Light Ring Spider /DSW400	1
14	162061	Supply cable light ring Spider	1
15	014861	Washer M10	2
16	170179	Edge protection profile	1

7 Circuit



8 Tool Kit

Item no.	Article no.	Description
1	075685	EXHAUST PAD 178MM
2	083903	CERAMIC VELCRO DISC 178 MM 10-HOLES K 50
3	083905	SICA VELCRO DISC 178 MM 10-HOLES K 80
4	175820	INTERMEDIATE DISK Ø178 3 STK/VE
5	175826	SUPPORT PAD 178MM 3 STK/VE
6	075684	SUPPRT PAD, SOFT 178MM
7	060253	Tool bag orange
8	016799	Open-end wrench SW13
9	015315	Hearing protectors
10	016732	Fine dust mask Gecko/URS/Cobra

9 Accessories

Article no.	Description	Quantity
060253	Tool bag orange	1
081696	Triple disc plate 2016 Spider	1
079671	PAD DISK Ø 400 MM	1
079609	I.cord 3G2,5x12,5m orange PallmSchuko	1
080094	El.cord 3G2,5x12,5m Pallmann UK/CEE	1
015315	Hearing protectors	1
016799	Open-end wrench SW13	1
062002	ZIRCON VELCRO DISC 178 MM 10-HOLES K 40	1
062005	ZIRCON VELCRO DISC 178 MM 10-HOLES K 80	1
175820	INTERMEDIATE DISK Ø178 3 STK/VE	1
175826	SUPPORT PAD 178MM 3 STK/VE	1
075684	SUPPRT PAD, SOFT 178MM	1
075685	EXHAUST PAD 178MM	1
071416	Electrical fuse 6,3x32mm flink 20A	1
072382	Dust extraction hose DSW400	1