

82.014.3.0017  
N°3 SELF-LOCKING SCREW (VTCIC) ø4,2x22

42.000.3.0105

58.005.3.0403 N°2 SCREW (VTSIC) M4x30

58.022.3.4002 N°2 WASHER ø5,3xø15

45.000.3.0042 230-240V/50Hz VERSION

45.999.4.0011 230-240V/50Hz VERSION

45.000.3.0033

58.037.3.3005

PIN ø3x20 115V/60Hz VERSION

58.019.3.3005 SELF-LOCKING NUT M5

26.999.4.0023G0

45.000.3.0034

58.003.3.0503

SCREW (VTCEI) M5x16

29.000.3.0046

29.000.3.0045

58.022.3.0004

N°2 WASHER ø8,4xø16x1,6

58.007.3.0803

N°2 SCREW (VTE) M8x25

61.000.3.0018

51.000.3.0078

01.000.4.0078 N°3 WASHER ø5,5xø20x2,5

58.003.3.0510

SCREW (VTCEI) M5x50

51.000.3.0077

58.019.3.3008 N°2 HIGH NUT M8

58.019.3.4001

WASHER ø8xø24

52.999.4.0274

51.000.3.0061

58.019.3.3008

SELF-LOCKING NUT M8

45.000.3.0035

58.006.3.0810

SCREW (VTSEI) M8x80

58.022.3.0006

N°2 WASHER ø13xø24

29.000.3.0043

45.000.3.0029

VERSION 230-240V/50Hz

45.999.4.0050

42.000.3.0105

45.999.4.0034

45.999.4.0018

only for version  
115V/60Hz

45.000.3.0019

58.019.3.0006

N°2 NUT M6

58.022.3.0003

WASHER ø6,4xø12,5

45.000.3.0018

58.003.3.0401

N°2 SCREW (VTCEI) M4x6

45.000.3.0083

58.007.3.0608

SCREW (VTE) M6x80

58.007.3.0803

N°2 SCREW (VTE) M8x25

51.000.3.0244

N°2 WASHER ø8,5xø20x3

45.000.3.0036

45.000.3.0044

VERSION 230-240V/50Hz L=1,2mI

45.999.3.0060

VERSION 230-240V/50Hz

45.000.3.0028GR

58.037.3.0008

N°2 CILINDRIC PIN ø8x30

45.999.4.0001BKT

51.000.3.0620

N°4 RIVET

45.000.3.0078

45.999.5.0004BKT - QX 45 SCORPION DCS EXP. 230V/50Hz RAL 9006

45.999.5.0010BKT - QX 45 SCORPION DCS EXP. 115V/60Hz RAL 9006  
45.999.5.0011BKT - QX 45 SCORPION DCS EXP. UK 240V/50Hz RAL 9006



**KUNZLE & TASIN**  
Via CAJKOVSKIJ 14-20092-CINISELLO BALSAMO (MI)  
TEL. 02/66040930 FAX 02/66013445

**QX 45**

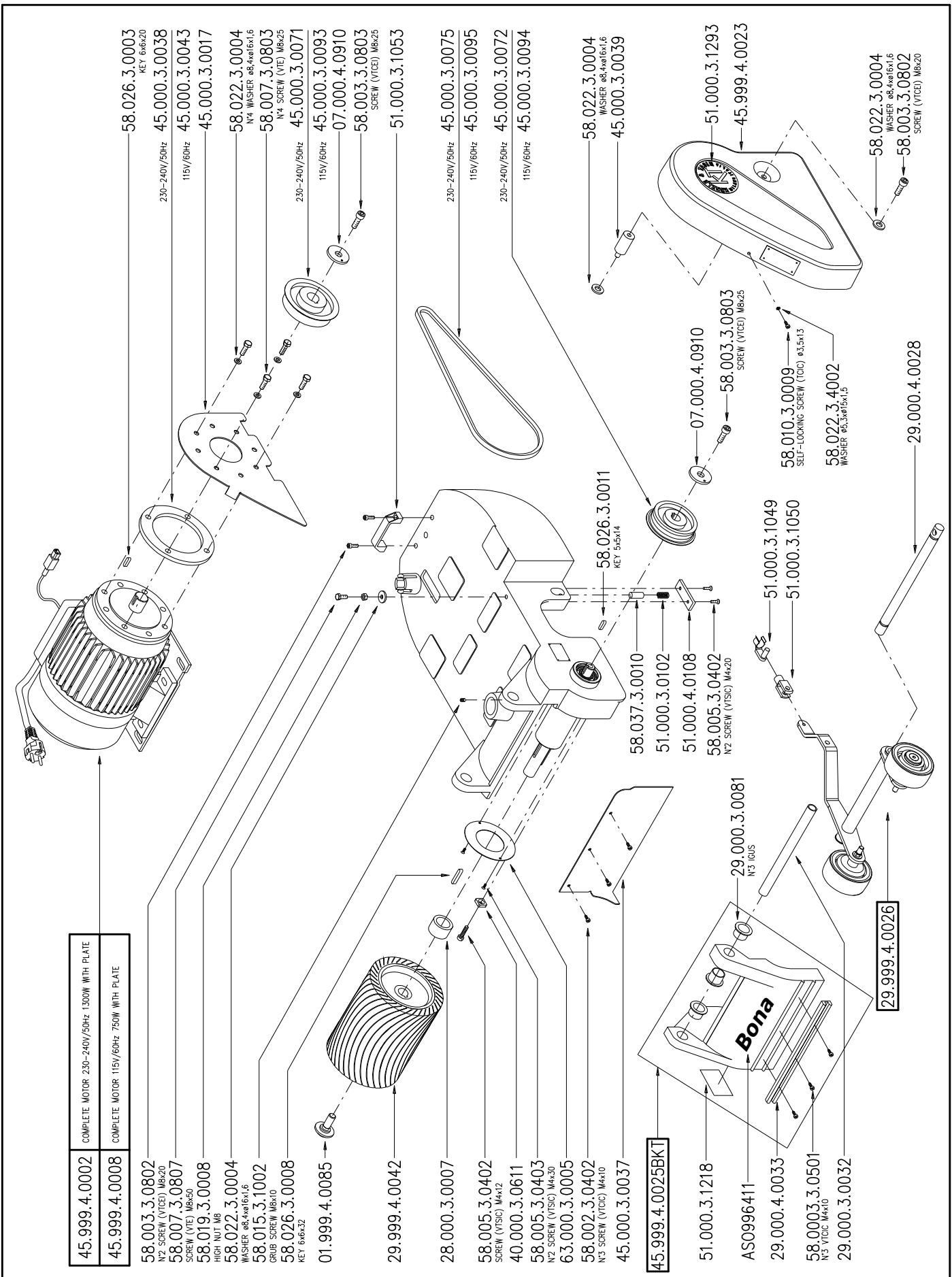
**SCORPION  
DCS**

230V/50Hz - 240V/50Hz - 115V/60Hz

KT-BONA

PAGE 1/6

OCTOBER 2015



45.999.4.0002 COMPLETE MOTOR 230-240V/50Hz 1300W WITH PLATE  
 45.999.4.0008 COMPLETE MOTOR 115V/60Hz 750W WITH PLATE

58.003.3.0802 N2 SCREW (VTCEI) M8x20  
 58.007.3.0807 SCREW (VTE) M8x50  
 58.019.3.0008 HIGH NUT M8  
 58.022.3.0004 WASHER ø8.4xø16x1.6  
 58.015.3.1002 GRUB SCREW M8x10  
 58.026.3.0008 KEY 6x6x32  
 01.999.4.0085  
 29.999.4.0042  
 28.000.3.0007  
 58.005.3.0402 SCREW (VTSC) M4x12  
 40.000.3.0611  
 58.005.3.0403 N2 SCREW (VTSC) M4x30  
 63.000.3.0005  
 58.002.3.0402 N3 SCREW (VTCC) M4x10  
 45.000.3.0037

45.999.4.0025BKT  
 51.000.3.1218 AS0996411  
 29.000.4.0033  
 58.0003.3.0501 N3 VTCC M4x10  
 29.000.3.0032  
 29.999.4.0026

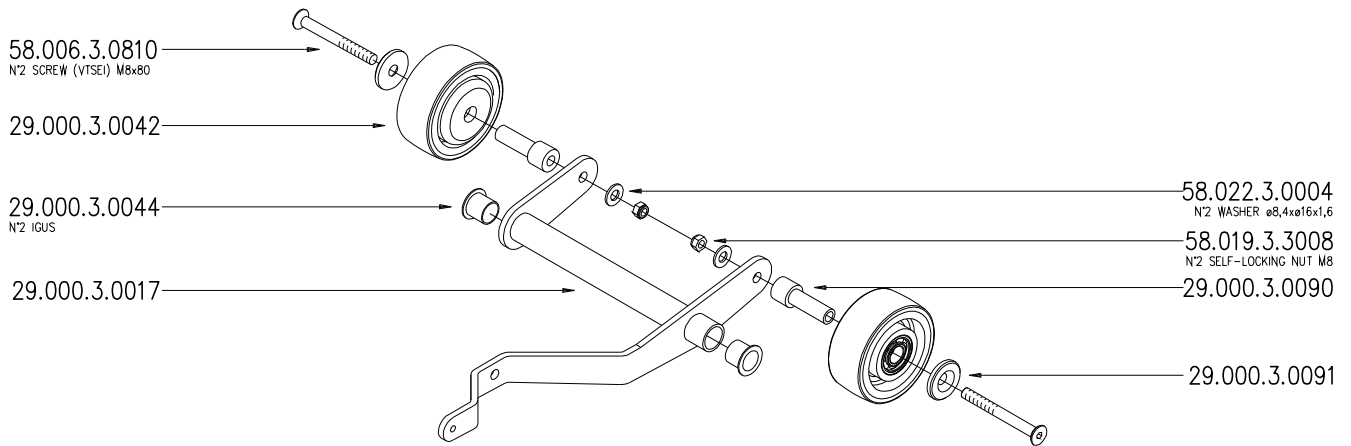
58.026.3.0003 KEY 6x6x20  
 45.000.3.0038 230-240V/50Hz  
 45.000.3.0043 115V/60Hz  
 45.000.3.0017  
 58.022.3.0004 N4 WASHER ø8.4xø16x1.6  
 58.007.3.0803 N4 SCREW (VTE) M8x25  
 45.000.3.0071 230-240V/50Hz  
 45.000.3.0093 115V/60Hz  
 07.000.4.0910  
 58.003.3.0803 SCREW (VTCEI) M8x25  
 51.000.3.1053

45.000.3.0075 230-240V/50Hz  
 45.000.3.0095 115V/60Hz  
 45.000.3.0072 230-240V/50Hz  
 45.000.3.0094 115V/60Hz  
 58.026.3.0004 WASHER ø8.4xø16x1.6  
 45.000.3.0039

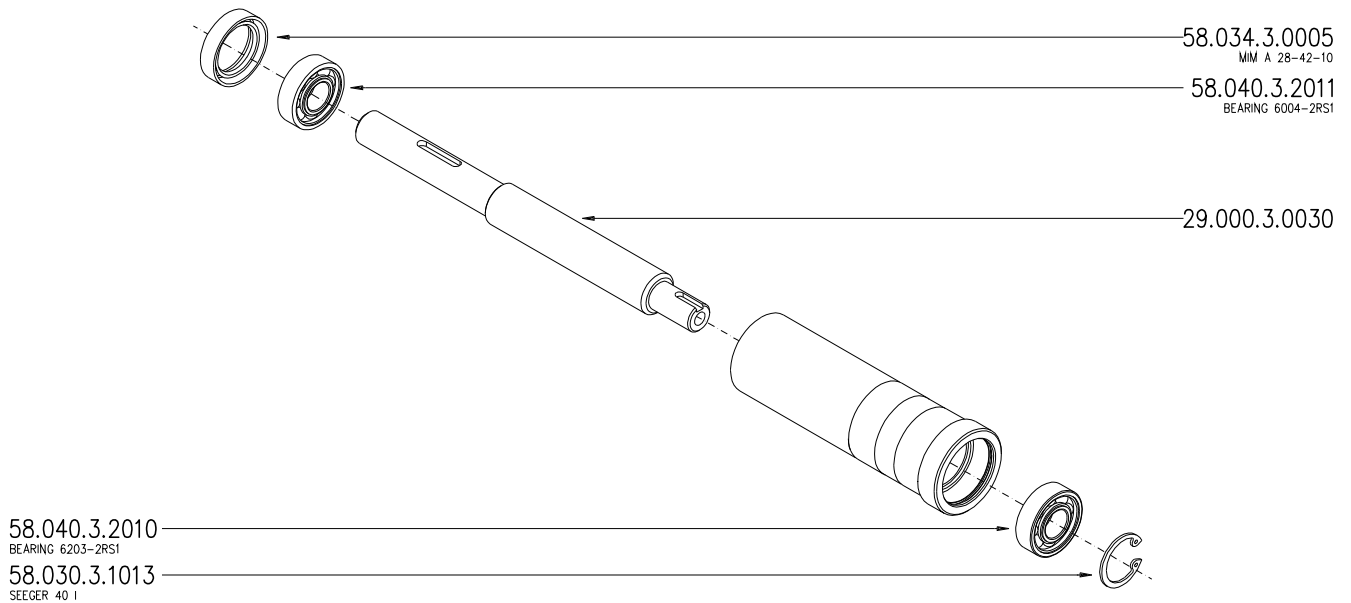
51.000.3.1293  
 45.999.4.0023  
 58.010.3.0009 SELF-LOCKING SCREW (TCC) ø3.5x13  
 58.022.3.4002 WASHER ø6.3xø19x1.5  
 29.000.4.0028  
 07.000.4.0910  
 58.003.3.0803 SCREW (VTCEI) M8x25  
 58.026.3.0011 KEY 3x5x14  
 58.037.3.0010  
 51.000.3.0102  
 51.000.4.0108  
 58.005.3.0402 N2 SCREW (VTSC) M4x20  
 51.000.3.1049  
 51.000.3.1050  
 29.000.3.0081 N3 GUS  
 58.022.3.0004 WASHER ø8.4xø16x1.6  
 58.003.3.0802 SCREW (VTCEI) M8x20

# 29.999.4.0026

## COMPLETE WHEELS GROUP



## DRUM BUSHING



**KUNZLE & TASIN**  
Via CAJKOVSKIJ 14-20092-CINISELLO BALSAMO (MI)  
TEL. 02/66040930 FAX 02/66013445

**QX 45**

**SCORPION  
DCS**

230V/50Hz - 240V/50Hz - 115V/60Hz

KT-BONA

PAGE 3/6

OCTOBER 2015

# 45.000.3.0055

VACUUM UNIT 1000W 230V/50Hz

# 46.000.3.0088

VACUUM UNIT 800W 115V/60Hz

45.000.3.0079  
COVER + HANDLE

45.000.3.0063  
SWITCH

45.000.3.0064  
AVAILABLE ONLY FOR MOTOR 1KW 230-240V/50Hz

45.000.3.0074  
MOTOR BASE

45.000.3.0070  
CONE FILTER + CAP NYLON

45.000.3.0067  
CLOSING HOOK

45.000.3.0068  
DRAIN  
34.000.3.1475  
CONNECTION RELEASE

45.000.3.0099  
L=700mm

51.000.3.1140  
EXP. DRUM

51.000.3.1298

34.000.3.5259

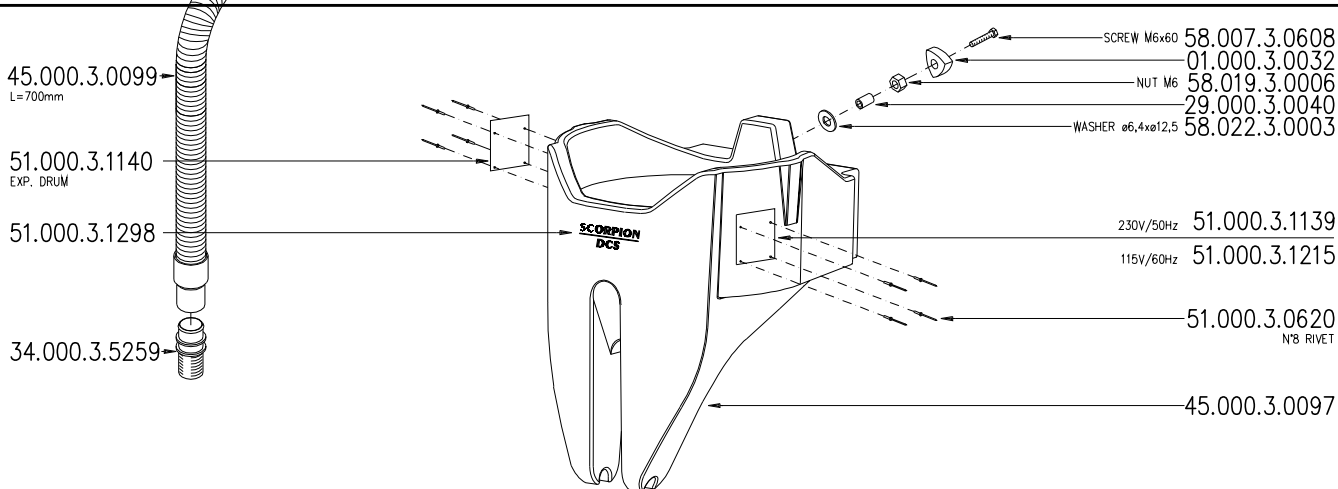
45.000.3.0051  
CABLE + PLUG

45.000.3.0058  
CARBON BRUSH

45.000.3.0057  
COMPLETE HEAD  
1000W 230-240V/50Hz  
46.000.3.0129  
COMPLETE HEAD  
800W 115V/60Hz

46.000.3.0083  
PAPER BAG

45.000.3.0069  
BASKET



**KUNZLE & TASIN**  
Via CAJKOVSKIJ 14-20092-CINISELLO BALSAMO (MI)  
TEL. 02/66040930 FAX 02/66013445

**QX 45**

**SCORPION  
DCS**

230V/50Hz - 240V/50Hz - 115V/60Hz

KT-BONA

PAGE 4/6

OCTOBER 2015

# 45.999.4.0002

COMPLETE MOTOR 1,3KW 230-240V/50Hz

45.000.3.0047  
CABLE + SCHUKO PLUG

45.999.4.0003  
WIRED MOTOR 1,3KW 230-240V/50Hz

45.000.3.0010  
MOTORE ONLY 1,3KW 230-240V/50Hz

58.019.3.0008  
N°4 HIGH NUT M8

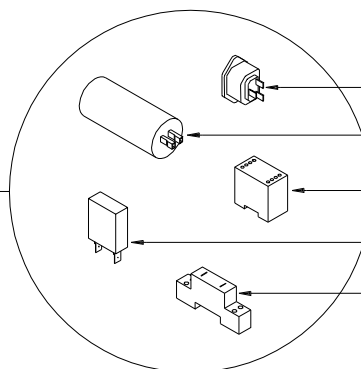
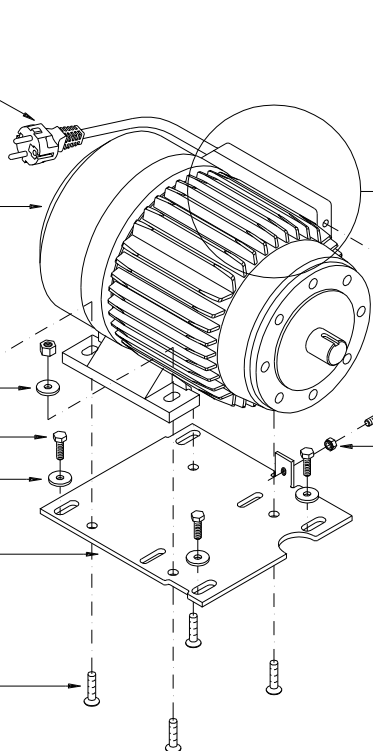
51.000.3.0244  
N°4 WASHER Ø8,5xØ20

58.007.3.0804  
N°4 SCREW (VTE) M8x30

51.000.3.0244  
N°4 WASHER Ø8,5xØ20

45.000.3.0016

58.006.3.0802  
N°4 SCREW (VTSEI) M8x30



40.000.3.2114

45.000.3.0009  
CAPACITOR 40µF

45.000.3.0012  
CONTACTOR

45.000.3.0011  
RELAY

45.000.3.0041  
RELAY BASE

58.003.3.0811  
SCREW (VTCEI) M8x40

58.019.3.3008  
SELF-LOCKING NUT M8

42.000.3.0055  
RING NUT

42.000.3.0054  
STRAIN RELIEF

45.999.3.0061  
2-POLES SOCKET

# 45.999.4.0008

COMPLETE MOTOR 0,75KW 115V/60Hz

51.000.3.1220  
TWIST LOCK PLUG 15A

45.000.3.0013  
MOTOR ONLY 0,75KW 115V/60Hz

58.019.3.0008  
N°4 HIGH NUT M8

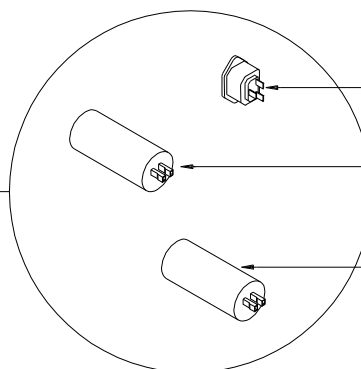
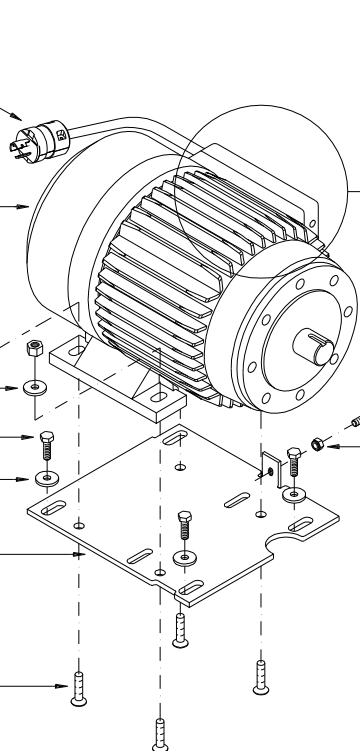
51.000.3.0244  
N°4 WASHER Ø8,5xØ20

58.007.3.0804  
N°4 SCREW (VTE) M8x30

51.000.3.0244  
N°4 WASHER Ø8,5xØ20

45.000.3.0016

58.006.3.0802  
N°4 SCREW (VTSEI) M8x30



40.000.3.2114

45.000.3.0009  
CAPACITOR 40µF

45.000.3.0008  
CAPACITOR 70µF

58.003.3.0811  
SCREW (VTCEI) M8x40

58.019.3.3008  
SELF-LOCKING NUT M8



**KUNZLE & TASIN**  
Via CAJKOVSKIJ 14-20092-CINISELLO BALSAMO (MI)  
TEL. 02/66040930 FAX 02/66013445

**QX 45**

**SCORPION  
DCS**

230V/50Hz - 240V/50Hz - 115V/60Hz

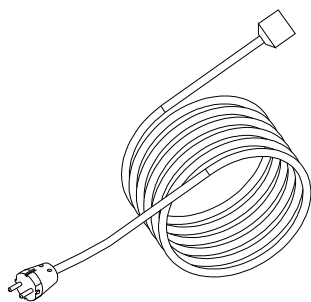
KT-BONA

PAGE 5/6

OCTOBER 2015

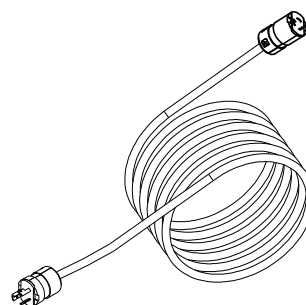
29.000.3.0115

7 MT POWER CABLE (230-240V/50Hz)



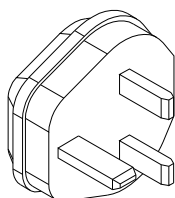
AS0904025

10 MT USA POWER CABLE (115V/60Hz)



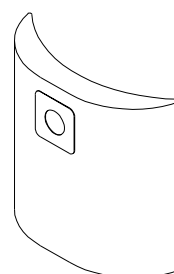
51.000.3.1283

PLUG ADAPTOR 13A UK



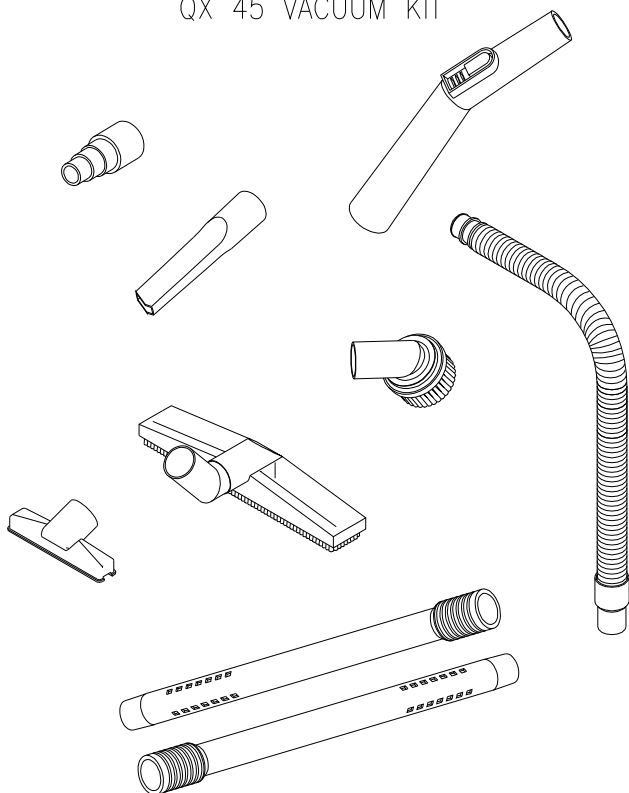
45.000.3.0050

5 PAPER DUST BAG BLISTER



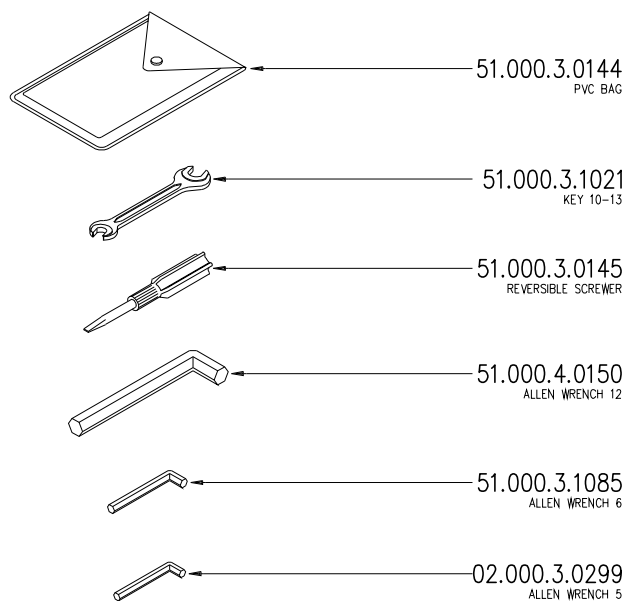
45.999.4.0010

QX 45 VACUUM KIT



45.999.4.0020

TOOL BAG EXP./EASY-FIT



51.000.3.0144  
PVC BAG

51.000.3.1021  
KEY 10-13

51.000.3.0145  
REVERSIBLE SCREWDRIVER

51.000.4.0150  
ALLEN WRENCH 12

51.000.3.1085  
ALLEN WRENCH 6

02.000.3.0299  
ALLEN WRENCH 5



KUNZLE & TASIN

Via CAJKOVSKIJ 14-20092-CINISELLO BALSAMO (MI)  
TEL. 02/66040930 FAX 02/66013445

QX 45

SCORPION  
DCS

230V/50Hz - 240V/50Hz - 115V/60Hz

KT-BONA

PAGE 6/6

OCTOBER 2015