



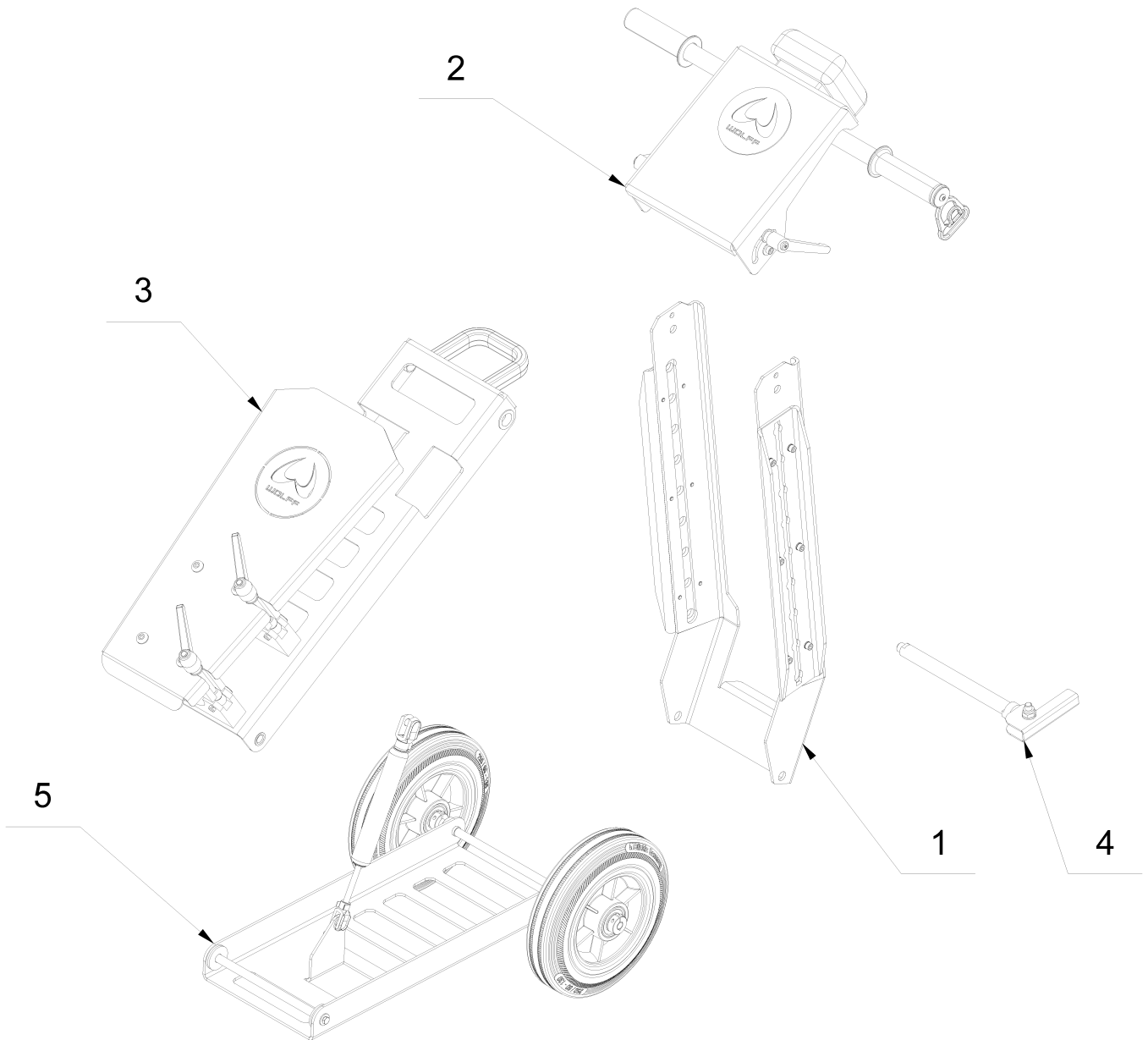
spare parts list RamHammer Trolley



Table of contents

1 RamHammer Trolley (V001)	3
1 Adjustplate	5
2 Handleplate	7
3 Engineplate	9
4 Pointment	11
5 Axle	13

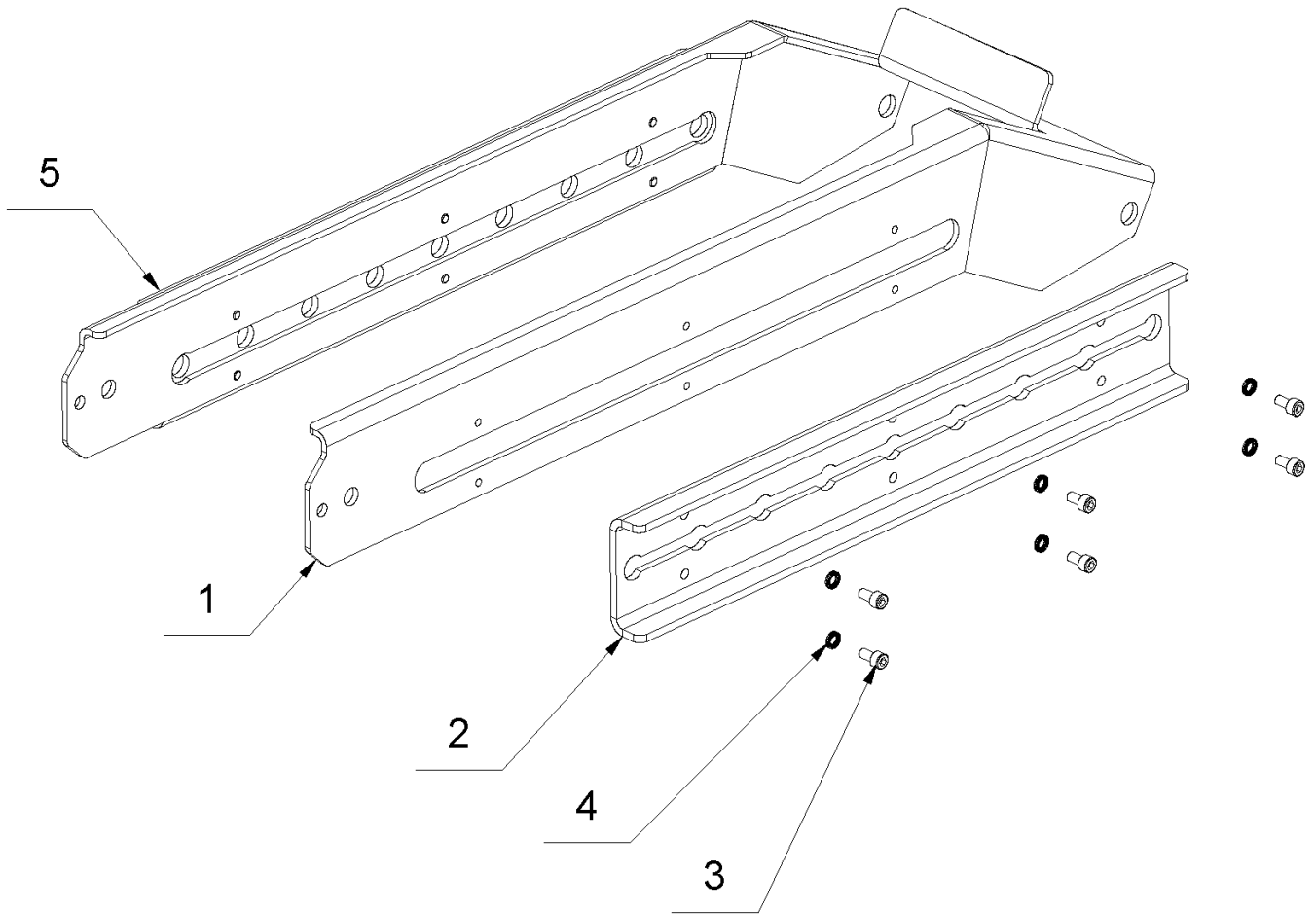
1 RamHammer Trolley (V001)



1 RamHammer Trolley (V001)

Item no.	Article no.	Description
1	01_01_170000	Adjustplate
2	01_02_170000	Handleplate
3	01_03_170000	Engineplate
4	01_04_170000	Pointment
5	01_05_170000	Axle

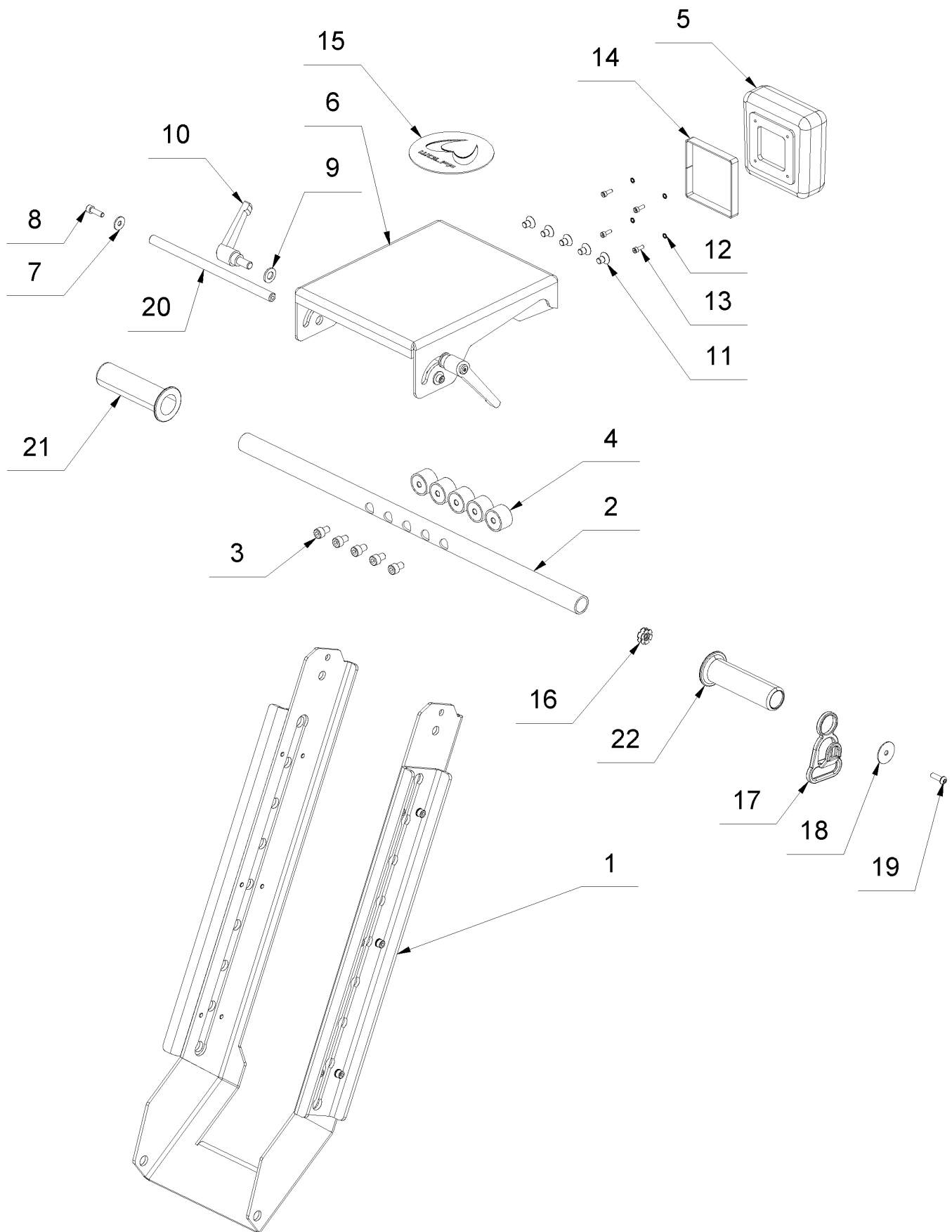
1 Adjustplate



1 Adjustplate

Item no.	Article no.	Description	Quantity
1	169958	adjustment plate Jackhammer	1
2	176407	Hole bar left RamHammer	1
3	014726	Cylinder head screw M6x12 DIN 912	12
4	079861	Safety washer M6	12
5	176406	Hole bar right RamHammer	1

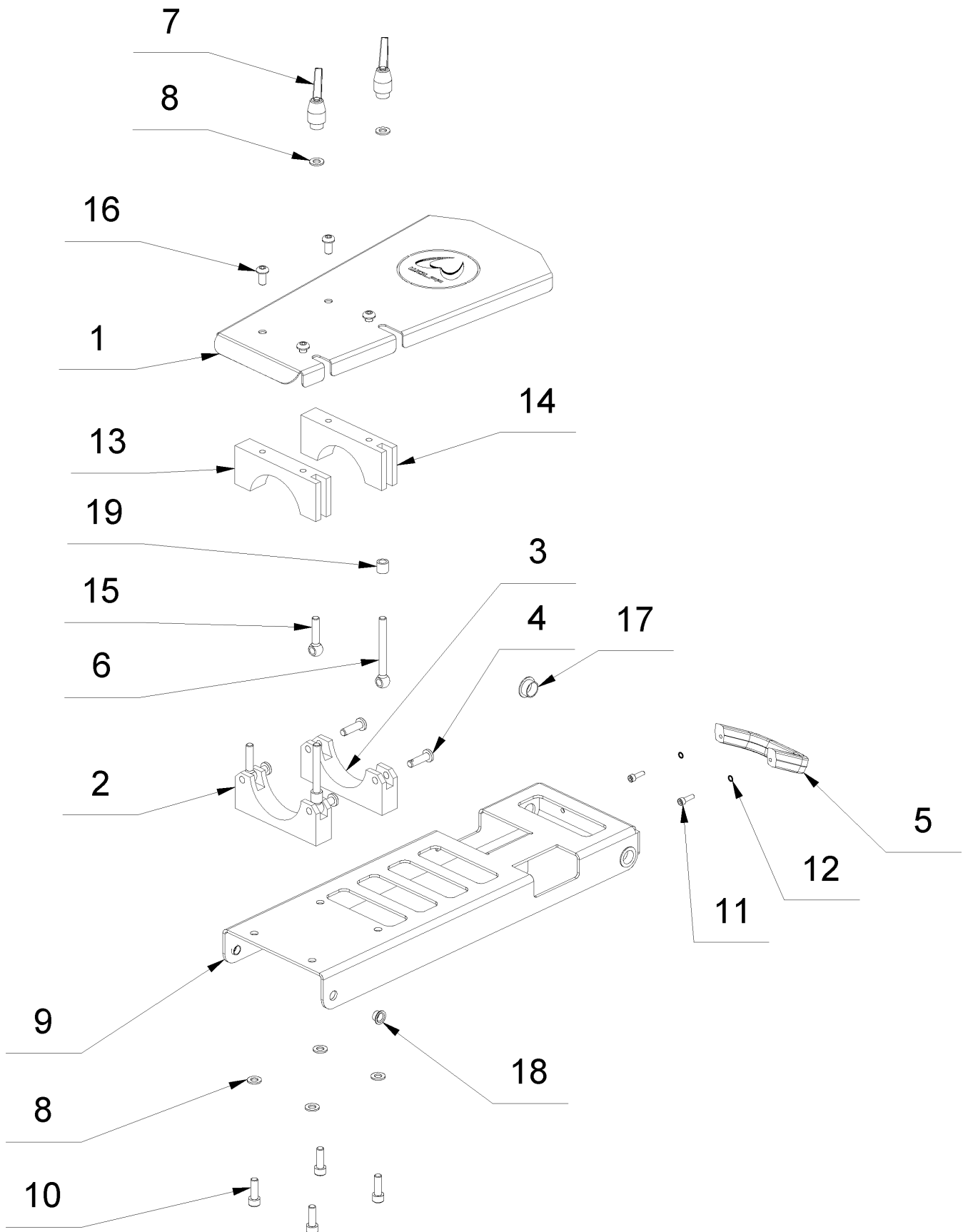
2 Handleplate



2 Handleplate

Item no.	Article no.	Description	Quantity
1		Adjustplate	1
2	169995	Handle bar Jackhammer	1
3	018254	Cylinder head screw M8x12 DIN 912	5
4	169949	Rubber buffer GN 351-30-20-M8-EE-70	5
5	015797	Impact padding for knee kicker	1
6	169972	Handle plate Jackhammer	1
7	017724	Washer DIN 9021 6,4x18x1,6	2
8	014729	Cylinder head screw M 6x16 DIN 912	2
9	018236	Washer 10.5 DIN 9021	2
10	172634	Adjust. Clamping lever GN300-78-M10-20-S	2
11	038423	Counter sunk screw M8x12 DIN 7991 10.9	5
12	016961	Snorr washer M4	4
13	018284	Cylinder head screw M4x12 DIN 912	4
14	174137	Clamp frame shock pad jackhammer	1
15	108830	Label Wolff Ø110mm	1
16	174294	Thread insert M6 f. Tube Ø20 Jackhammer	2
17	061886	Cable retention Mambo Evo	1
18	014835	Washer 6,4x30x1,25 n.DIN 522	1
19	018706	Lens head screw M6x20	1
20	171528	Axle Ø12 Jackhammer	1
21	038568	Grip covering Ø25 Turbo2 / Extro2	1
22	174359	Handle cover perforated jackhammer	1

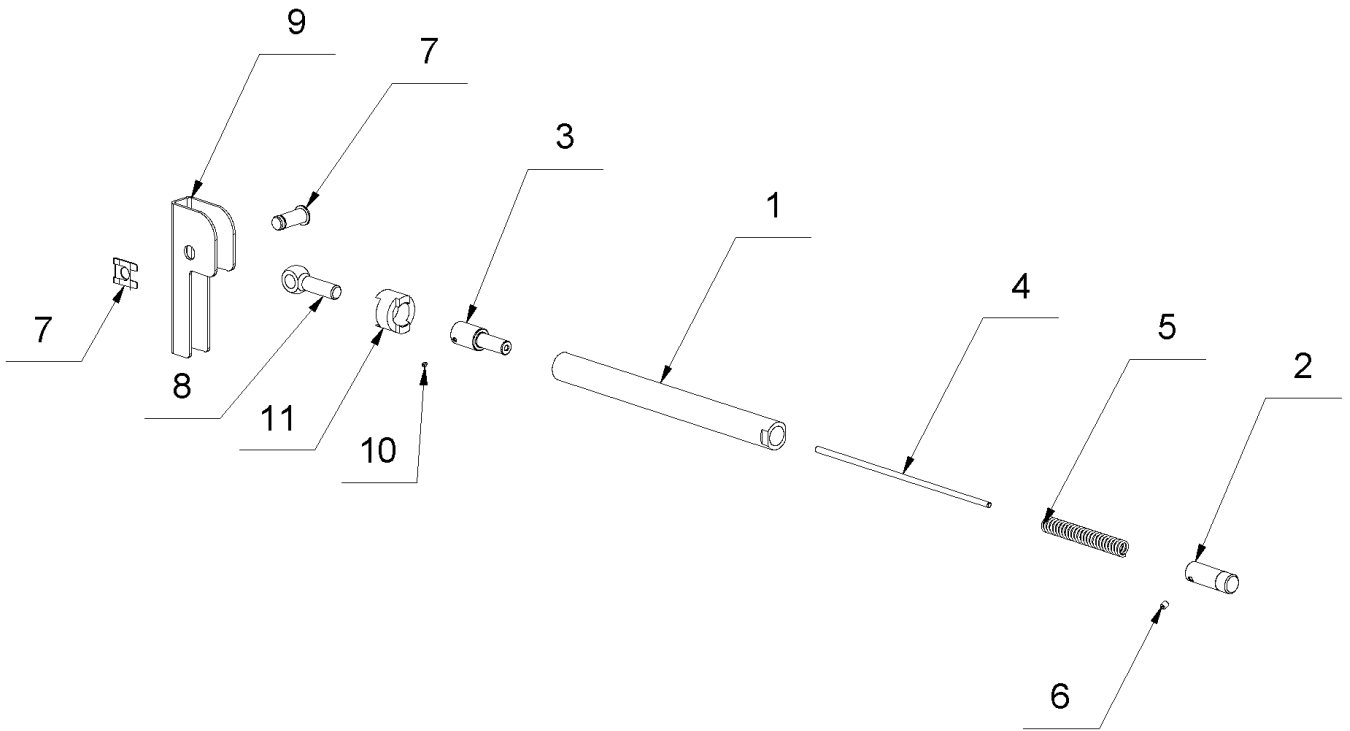
3 Engineplate



3 Engineplate

Item no.	Article no.	Description	Quantity
1	169991	Cover Jackhammer	1
2	174125	Half shell front down Bosch Jackhammer	1
2	178388	Half shell front down DeWalt RamHammer	1
2	178392	Half shell front down Makita RamHammer	1
3	174177	Half shell back down Bosch Jackhammer	1
3	178385	Half shell back down DeWalt RamHammer	1
3	178390	Half shell back down Makita RamHammer	1
4	173891	Pin with head Ø10x35 ISO234	4
5	017888	Handle Handstripper Junio	1
6	174011	Eye screw M10x100 DIN 444	2
7	042473	Clamping lever GN300-78-M10-SW	2
8	014829	Washer M10 DIN 125 A	6
9	169961	SG machine plate jackhammer	1
10	018300	Cylinder head screw M10x30 DIN 912	4
11	014730	Cylinder head screw M 6x20 DIN 912	2
12	014859	Schnorr washer M6	2
13	174129	Half shell front top Bosch Jackhammer	1
13	178383	Half shell front top DeWalt RamHammer	4
13	178391	Half shell front top Makita RamHammer	4
14	174136	Half shell back top Bosch Jackhammer	1
14	178387	Half shell back top DeWalt RamHammer	1
14	178389	Half shell back top Makita RamHammer	1
15	018654	Eye screw M10x50 DIN 444	2
16	040261	Lens screw M10x20 ISO 7380	4
17	019091	bushing BB 2010	2
18	019090	Bushing BB 1209 DU	2
19	175986	Distanzstück für Halbschalen RamHammer	2

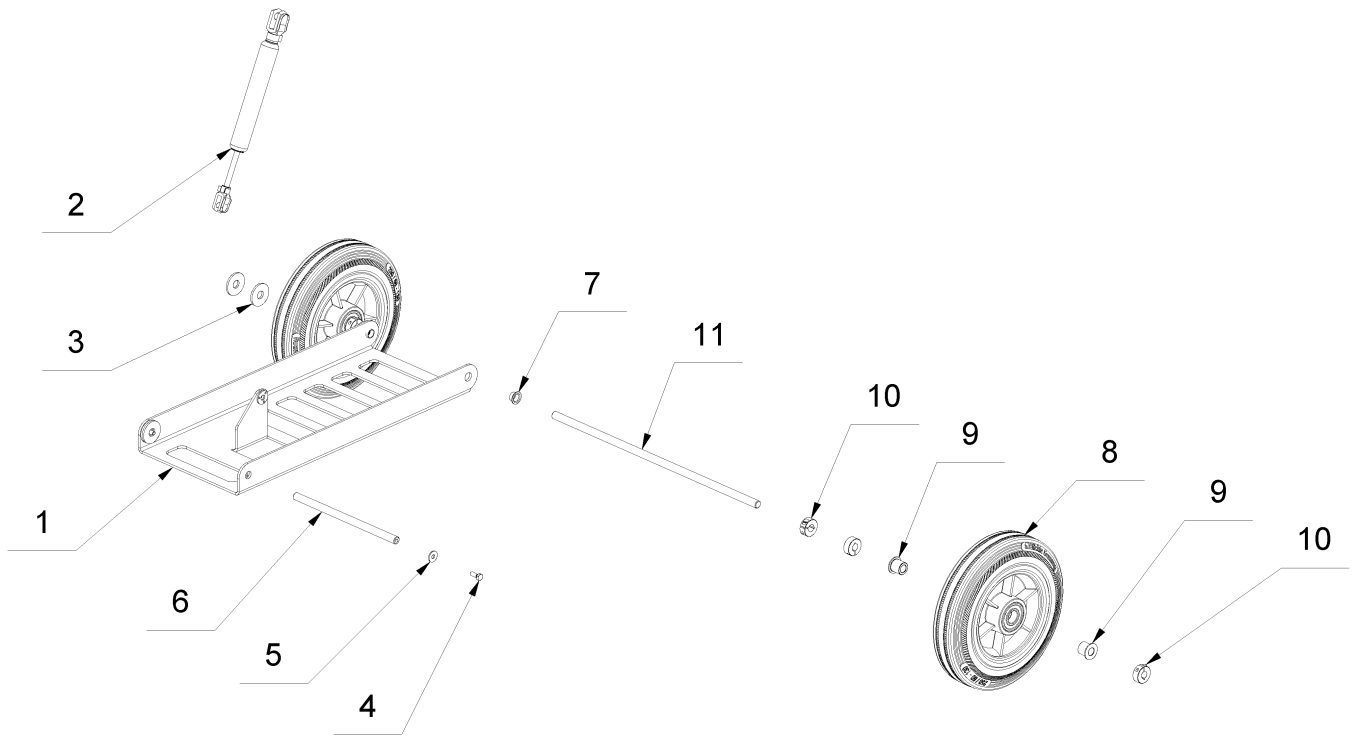
4 Pointment



4 Pointment

Item no.	Article no.	Description	Quantity
1	169978	Sleeve RamHammer	1
2	169994	Retention pin Jackhammer	1
3	173798	Locking pin left jackhammer	1
4	173889	Threaded rod M4 170mm jackhammer	1
5	170498	Pressure spring Ø12,5mm Jackhammer	1
6	018208	headless pin M4x5 DIN 913	1
7	176099	Bolt set with SL lock Ø10mm	1
8	014672	Eye screw M10x35 DIN 444	1
9	174162	Eccentric lever Jackhammer	1
10	175900	Thread pin M 3x 3 ISO 4029	1
11	173805	Spacer eccentric RamHammer	1

5 Axle



5 Axle

Item no.	Article no.	Description	Quantity
1	174135	SG floor plate RamHammer	1
2	169977	Gas pressure spring Jackhammer 450N	1
3	017637	Washer 13x37x3 DIN 9021	4
4	014770	Hexagonal screw M 6x16 DIN 933	2
5	017724	Washer DIN 9021 6,4x18x1,6	2
6	171528	Axle Ø12 Jackhammer	1
7	019090	Bushing BB 1209 DU	2
8	169996	Wheel Jackhammer	2
9	169997	Wheel hub Jackhammer	4
10	074439	Locking ring d 12mm	6
11	174032	Axle Ø12x445 undercarriage Jackhammer	1