



## spare parts list Robo 230V EU



# Table of contents

---

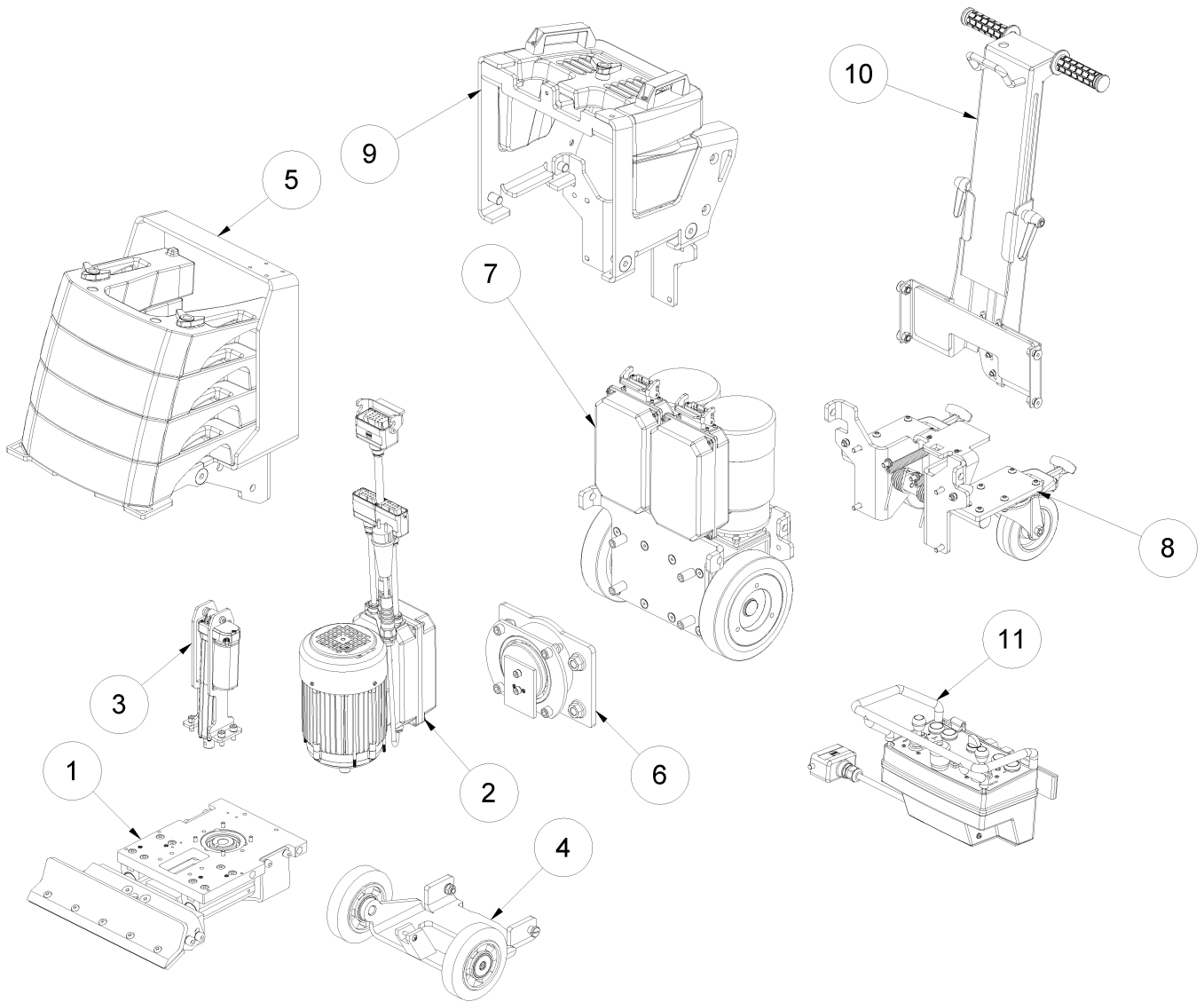
Robo Stripper (N001/2014-N018/2014)	4
1 Impact	6
2 Impact motor	9
3 Actuator	11
4 Front Carriage	13
5 Front frame+weight	15
6 Hinge	17
7 Drive unit	19
8 Rear Carriage	21
9 Rear frame + weight	23
10 Handle	25
11 Cockpit	27
13 Tool kit	29
14 Accessory	31
15 Circuit diagram Cockpit	32
16 Circuit diagram Drive unit	34
Robo Stripper (019/2014-034/2015)	36
1 Impact	38
2 Impact motor	41
3 Actuator	43
4 Front Carriage	45
5 Front frame+weight	47
6 Hinge	49
7 Drive unit	51
8 Rear Carriage	53
9 Rear frame + weight	55
10 Handle	57
11 Cockpit	59
13 Tool kit	61
14 Accessory	63
15 Circuit diagram Cockpit	64
16 Circuit diagram Drive unit	66
Robo Stripper (035/2015-056/2017)	68
1 Impact	70
2 Impact motor	73
3 Actuator	76
4 Front Carriage	78
5 Front frame+weight	80
6 Hinge	82
7 Drive unit	84
8 Rear Carriage	86
9 Rear frame + weight	88
10 Handle	90
11 Cockpit 035/2015-044/2016	92
11 Cockpit 045/2016-056/2017	94
13 Tool kit	96
14 Accessory	98
15 Circuit diagram Cockpit	99
16 Circuit diagram Drive unit	101
Robo Stripper (0057/2017-0110/2019)	103
1 Impact	105
2 Impact motor	108
3 Actuator	111
4 Front Carriage	113
5 Front frame+weight	115
6 Hinge	117
7 Drive unit	119
9 Rear frame + weight	121

## Table of contents

---

10 Handle	123
11 Cockpit	125
12 Cable extension	128
13 Tool kit	130
14 Accessory	132
15 Circuit diagram Cockpit	133
16 Circuit diagram Drive unit	135
Robo Stripper (0111/2019-heute)	137
1 Impact	139
2 Impact motor	142
3 Actuator	145
4 Front Carriage	147
5 Front frame+weight	149
6 Hinge	151
7 Drive unit	153
9 Rear frame + weight	155
10 Handle	157
11 Cockpit	159
12 Cable extension	162
13 Tool kit	164
14 Accessory	166
15 Circuit diagram Cockpit	167
16 Circuit diagram Drive unit	169

# Robo Stripper (N001/2014-N018/2014)

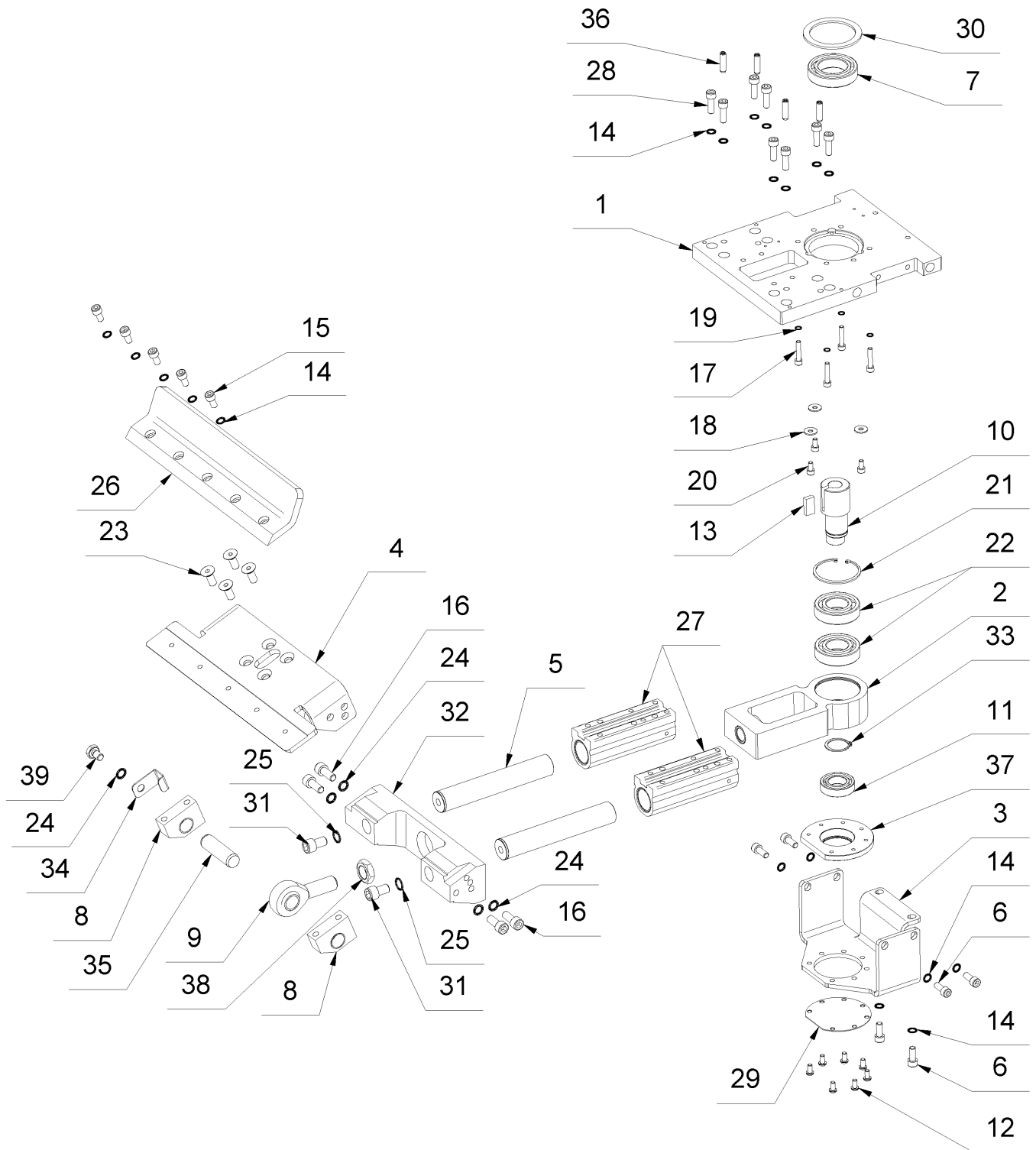


## Robo Stripper (N001/2014-N018/2014)

---

Item no.	Article no.	Description
1	01_01_073888	Impact
2	01_02_073888	Impact motor
3	01_03_073888	Actuator
4	01_04_073888	Front Carriage
5	01_05_073888	Front frame+weight
6	01_06_073888	Hinge
7	01_07_073888	Drive unit
8	01_08_073888	Rear Carriage
9	01_09_073888	Rear frame + weight
10	01_10_073888	Handle
11	01_11_074194	Cockpit
13	01_13_073888	Tool kit
14	01_14_073888	Accessory
15	01_15_073888	Circuit diagram Cockpit
16	01_16_073888	Circuit diagram Drive unit

# 1 Impact



# 1 Impact

Item no.	Article no.	Description	Quantity
1	073868	Base support Robo-Stripper	1
2	073880	Connecting rod Robo-Stripper	1
3	074017	Storage console Robo-Stripper	1
4	074026	Striker Foot Casting 350 Robo S004	1
5	074099	Piston rods Robo-Str.	2
6	014734	Cylinder head screw M8x20 DIN 912	6
7	014706	Ball-bearing 6008 2RS1 C3	1
8	015417	Connecting rod bearing Turbo-/Su	2
9	074090	Joint head	1
10	073865	Eccentric shaft Robo-Stripper	1
11	014704	Ball-bearing 6005 2RS1	1
12	017553	Lens head screw M6x12	7
13	074112	Feather replacement Robo	1
14	014860	Schnorr Washer M8	19
15	017651	Cylinder head screw M8x16 DIN 912	5
16	049654	Cylinder head screw M10x25 DIN 912	4
17	017678	Cylinder head screw M6x30 DIN 912	4
18	017724	Washer DIN 9021 6,4x18x1,6	3
19	014859	Schnorr washer M6	4
20	014726	Cylinder head screw M6x12 DIN 912	3
21	014856	Safety washer I62 DIN 472	1
22	014710	Ball bearing 6206 2RS1 C3	2
23	014763	Countersunk screw M10x25 DIN 7991 10.9	4
24	014861	Washer M10	5
25	014862	Washer M12	2
26	073985	Deflector 350 Robo-Stripper	1
27	074242	Guide sleevesquare compl.Robo SEE 169030	2
28	014735	Cylinder head screw M8x25 DIN 912	8
29	074072	Sheet metal shielding Robo-Stripper	1
30	074216	Shim ring 63x80x1.5 DIN 988	1
31	017614	Cylinder head screw M12x20 DIN 912	2
32	074071	U-Bracket StrikerFootCastingRobo-Str.	1
33	014853	Safety washer A30 DIN 471	1
34	074225	Sheet to hedge Robo-Str.	1

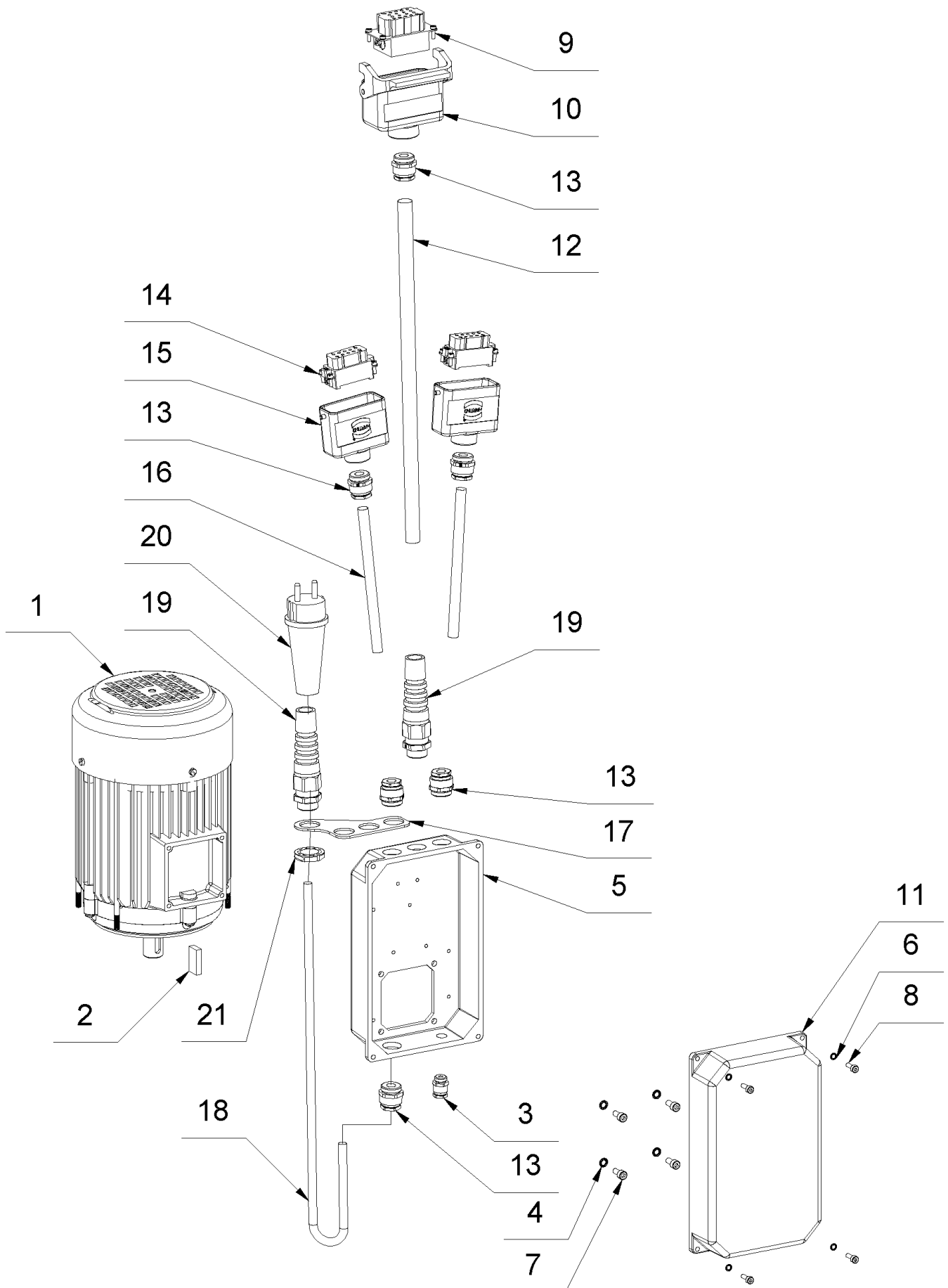
## 1 Impact

---

Item no.	Article no.	Description	Quantity
35	074051	Cylindrical pin 20x70 DIN 7979	1
36	016873	Cylindrical pin 8x30 DIN 7979	4
37	073871	Drive hub plate Robo-Stripper	1
38	017211	Hexagon nut M20x1,5 DIN 936	1
39	018168	Hexagon head screw M10x 16 DIN 933	1



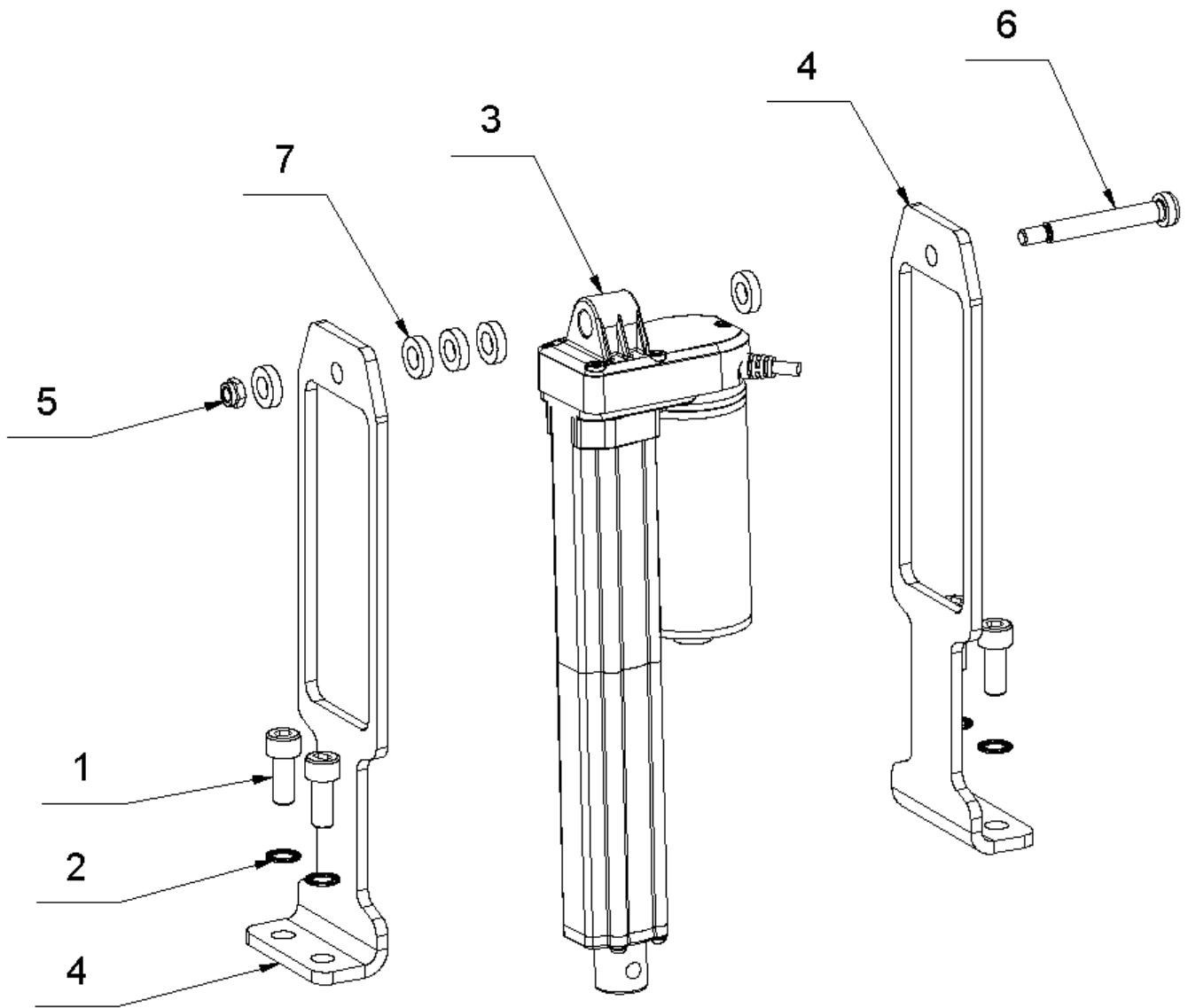
## 2 Impact motor



## 2 Impact motor

Item no.	Article no.	Description	Quantity
1	073860	Motor Impact system zero series Robo-Str	1
2	074112	Feather replacement Robo	1
3	074065	Cable connection M12x1,5	1
4	014858	Schnorr washer M5	4
5	074001	Cover Control unit Robo-Stripper	1
6	016961	Snorr washer M4	4
7	017561	Cylinder head screw M5x12 DIN 912	4
8	018284	Cylinder head screw M4x12 DIN 912	4
9	074066	Bushing insert Robo-Str.	1
10	074063	Clutch housing M20 Robo-Str.	1
11	074002	Control unit Robo-Stripper	1
12	074388	Control line Control unit Robo-Str.	1
13	074064	Cable connection SKINDICHT M20x1,5	6
14	060034	Bush insert 10A/10 polig	2
15	060033	Housing 10A	2
16	074391	Control line frequency inverter Robo-Str	2
17	074084	Supporting plate Power cord Robo-Str.	1
18	074394	El.cord 3G2,5 <sup>2</sup> x without plug Robo-Str.	1
19	039190	Screw connection w.bending prot.M20x1,5	2
20	039203	Plug grey	1
21	047935	Nut PE M20x1,5	1

### 3 Actuator

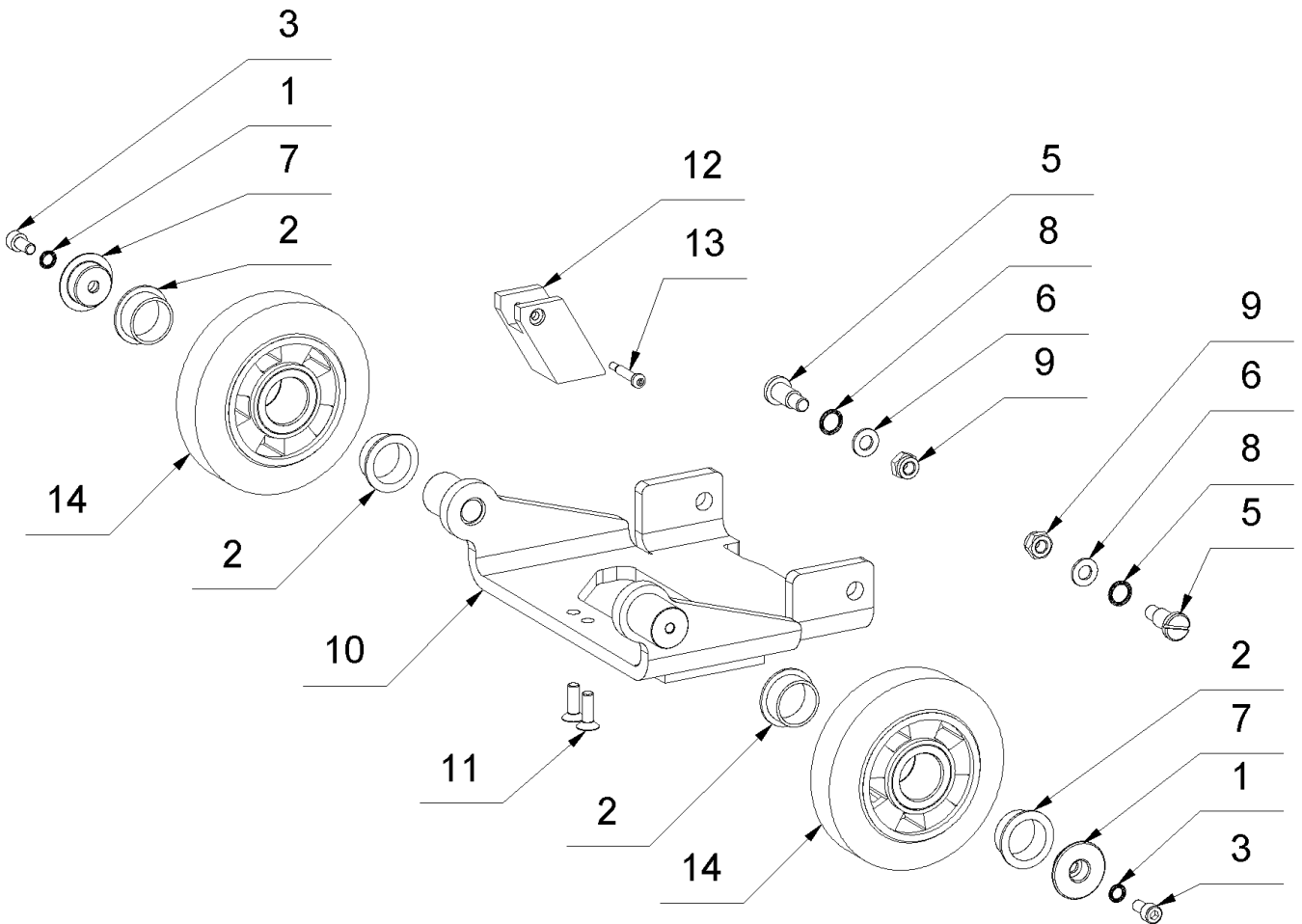


### 3 Actuator

---

Item no.	Article no.	Description	Quantity
1	014734	Cylinder head screw M8x20 DIN 912	4
2	014860	Schnorr Washer M8	4
3	074088	Electric cylinders Robo-Str.	1
4	074021	Holder stroke cylinders Robo-Stripper	2
5	014815	Hexagon nut M6 DIN985	1
6	073944	Fitting bolt M6xØ8x50 ISO 7379	1
7	074217	Distance ring 8,5x16x4 black	5

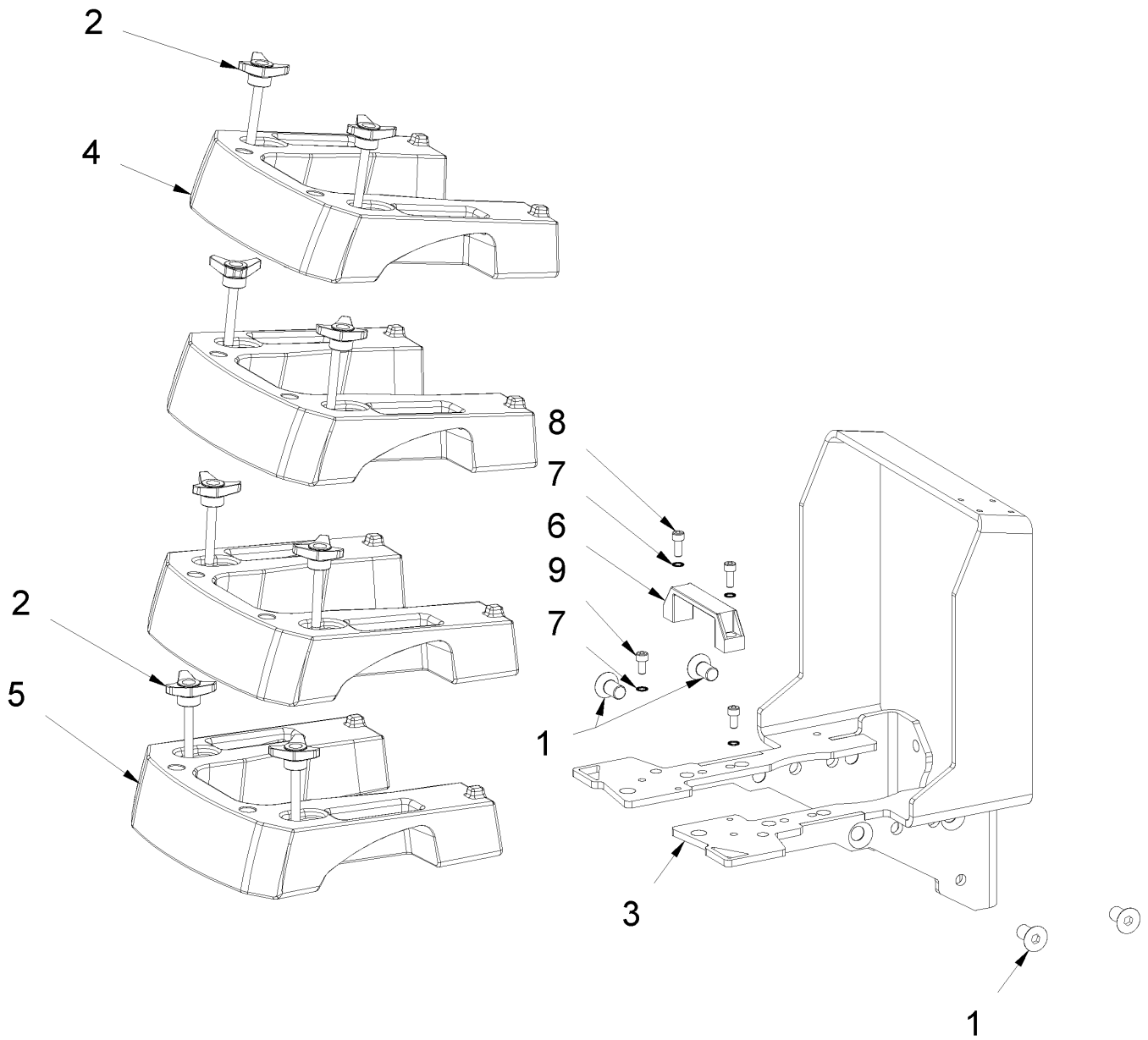
## 4 Front Carriage



## 4 Front Carriage

Item no.	Article no.	Description	Quantity
1	014860	Schnorr Washer M8	2
2	074085	Bushing GFM 3034-16	4
3	017651	Cylinder head screw M8x16 DIN 912	2
5	073947	Flat head screw M10x20 DIN 923	2
6	014829	Washer M10 DIN 125 A	2
7	073876	Washer Transport wheel Robo-Stripper	2
8	014862	Washer M12	2
9	014817	Hexagon nut M10 DIN 985	2
10	074027	SG Carriage up front Robo-Stripper	1
11	014761	Countersunk screw M8x25 DIN 7991 10.9	2
12	083807	Holder Cylinder rod SEE 083808	1
13	073945	Screw M 6x25 ISO 7379 SEE 083806	1
14	073996	Transport Wheel cpl. Robo-Stripper	2

## 5 Front frame+weight

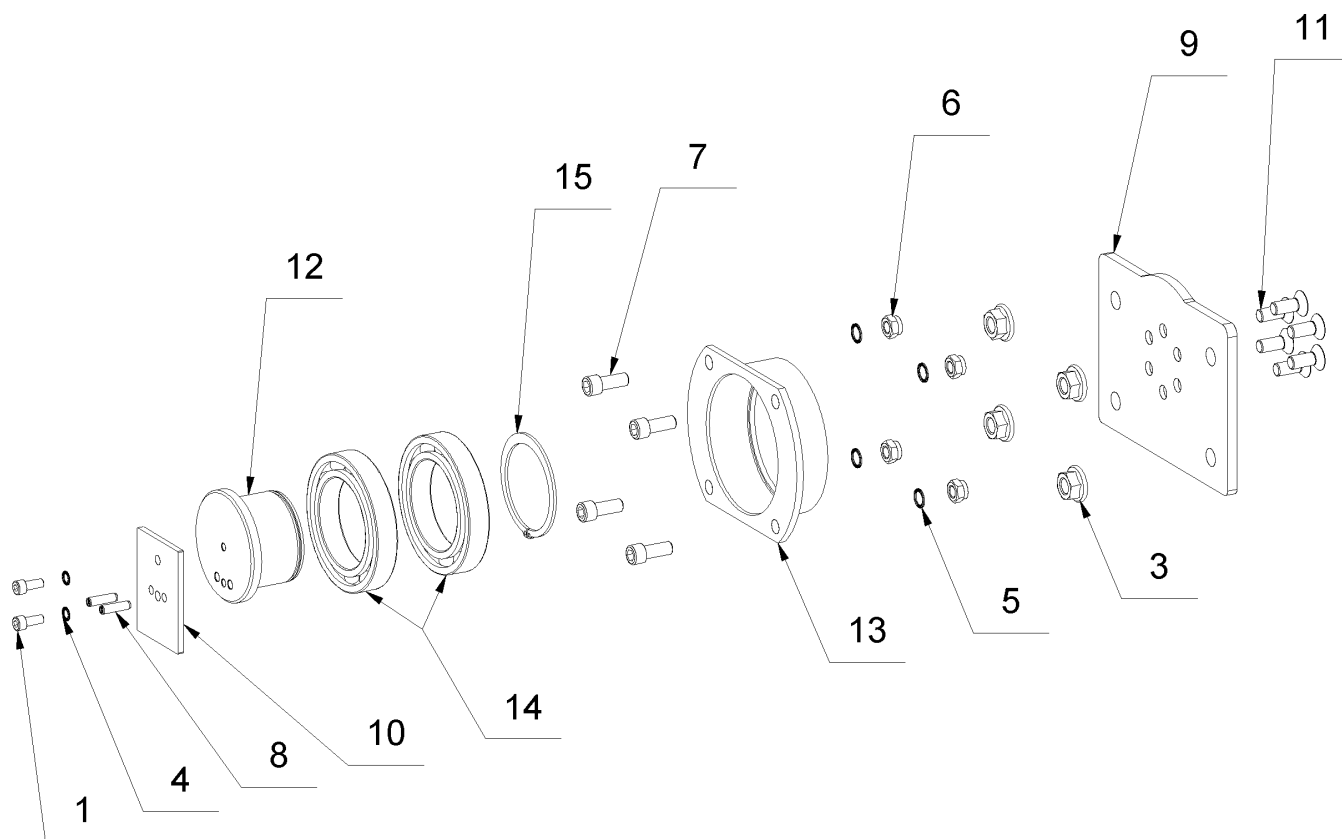


## 5 Front frame+weight

Item no.	Article no.	Description	Quantity
1	073954	Countersunk screw M16x30 DIN 7991 10.9	4
2	074111	Three star screw M10x100 cpl.	8
3	074035	Chassis Impact system Robo-Str.	1
4	074030	Additional weight in front grey RoboStr.	3
5	074029	Additional weight in front RoboStr.green	1
6	014915	Handle/Grip GN528 117mm	1
7	014860	Schnorr Washer M8	4
8	014734	Cylinder head screw M8x20 DIN 912	2
9	017651	Cylinder head screw M8x16 DIN 912	2



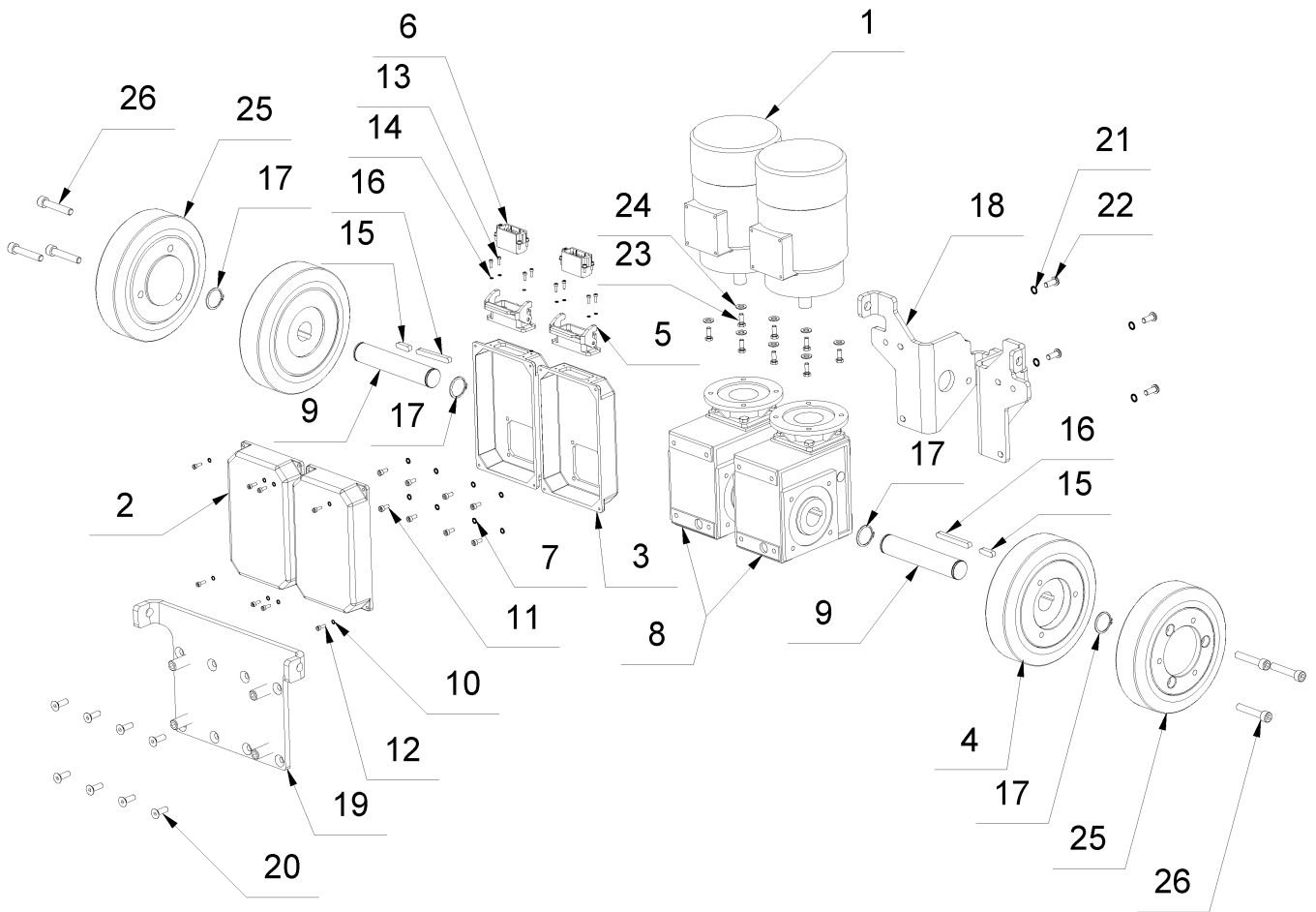
# 6 Hinge



## 6 Hinge

Item no.	Article no.	Description	Quantity
1	014734	Cylinder head screw M8x20 DIN 912	2
3	073952	Locknut M16 DIN 6923	4
4	014860	Schnorr Washer M8	2
5	014862	Washer M12	4
6	018770	El.stop-nut M12 DIN 985	4
7	014744	Cylinder head screw M12x30 DIN 912	4
8	016873	Cylindrical pin 8x30 DIN 7979	2
9	074033	Separating plate Robo-Stripper	1
10	073867	Stop swivel Robo-Stripper	1
11	018333	Countersunk screw M12x30 DIN 7991blank	6
12	073869	Gear shaft Robo-Stripper	1
13	073870	Socket swivel joint Robo-Stripper	1
14	073793	Ball bearing 6017 2RS1	2
15	076749	Safety washer A85 DIN 471	1

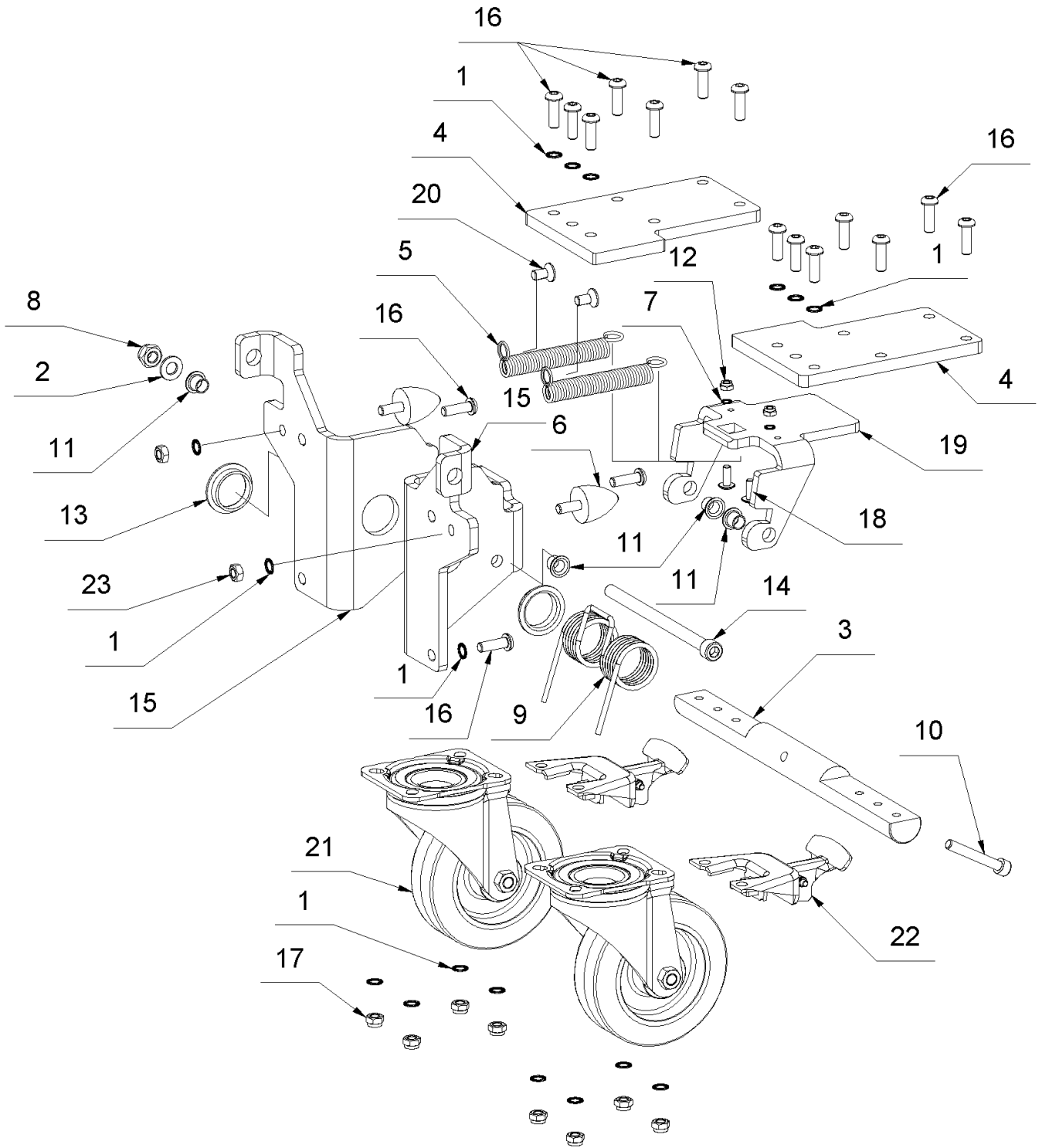
## 7 Drive unit



## 7 Drive unit

Item no.	Article no.	Description	Quantity
1	073859	Motor drive unit Robo-Stripper	2
2	073882	Frequency inverter Robo-Stripper	2
3	073883	Cover Robo-Stripper	2
4	073990	Driving wheel inside cpl. Robo-Stripper	2
5	060032	Housing 10A	2
6	060035	Pin employment 10A/10 polig	2
7	014858	Schnorr washer M5	8
8	073858	Gear Robo-Stripper	2
9	073866	Axle Drive shaft Robo-Stripper	2
10	016961	Snorr washer M4	8
11	017561	Cylinder head screw M5x12 DIN 912	8
12	018284	Cylinder head screw M4x12 DIN 912	8
13	014715	Cylinder head screw M3x10 DIN 912	8
14	017772	Schnorr washer M3	8
15	073948	Nut key 8x7x30 DIN 6885	2
16	073949	Feather key 8x7x70 DIN 6885	2
17	014853	Safety washer A30 DIN 471	4
18	073887	Gear plate behind Robo-Stripper	1
19	073886	Gear plate vorne Robo-Stripper	1
20	014761	Countersunk screw M8x25 DIN 7991 10.9	8
21	014860	Schnorr Washer M8	4
22	047385	Lens head screw M8x20	4
23	014770	Hexagonal screw M 6x16 DIN 933	8
24	014828	Washer M8 DIN 125 A	8
25	077758	Driving wheel outside Robo-Stripper	2
26	077757	Cylinder head screw M10x55 DIN 912	6

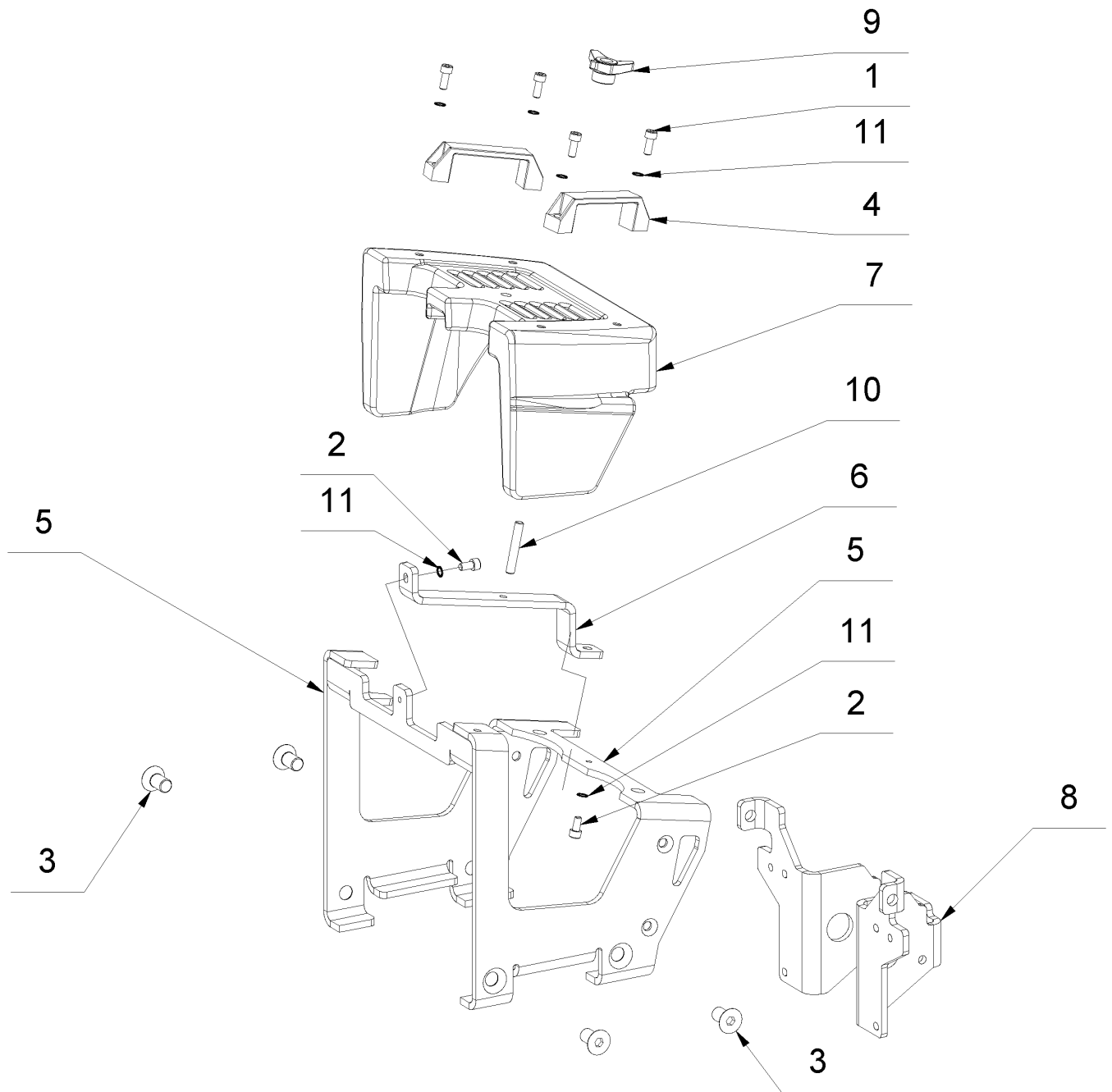
# 8 Rear Carriage



## 8 Rear Carriage

Item no.	Article no.	Description	Quantity
1	014860	Schnorr Washer M8	20
2	014829	Washer M10 DIN 125 A	1
3	073879	Axle chassis Transport wheel Robo-Str.	1
4	074016	Plate Caster Robo-Stripper	2
5	068202	Tension spring D 2,5	2
6	074091	Rubber stop parabel. Ø30-M8x20	2
7	014859	Schnorr washer M6	2
8	014817	Hexagon nut M10 DIN 985	1
9	074087	Double leg spring DSF 610	1
10	016993	Cylinder head screw M8x55 DIN 912	1
11	018682	Bushing BB 1012	4
12	014815	Hexagon nut M6 DIN985	2
13	074086	Bushing GFM 3034-09	2
14	015134	Handle with Steel Shaft M14 Turbo/Super	1
15	073887	Gear plate behind Robo-Stripper	1
16	036272	Lens head screw M 8x25	18
17	014816	Hexagon nut M8 DIN 985	8
18	017552	Lens head screw M 6x16 ISO 7380	2
19	074025	Pedal Robo-Stripper	1
20	014764	Countersunk screw M8x16 DIN7991 micro	2
21	074095	Steer roll Robo-Str.	2
22	074096	Direction locking brake Robo-Str.	2
23	014810	Hexagon nut M 8 DIN 934 I6I/I8I	2

## 9 Rear frame + weight

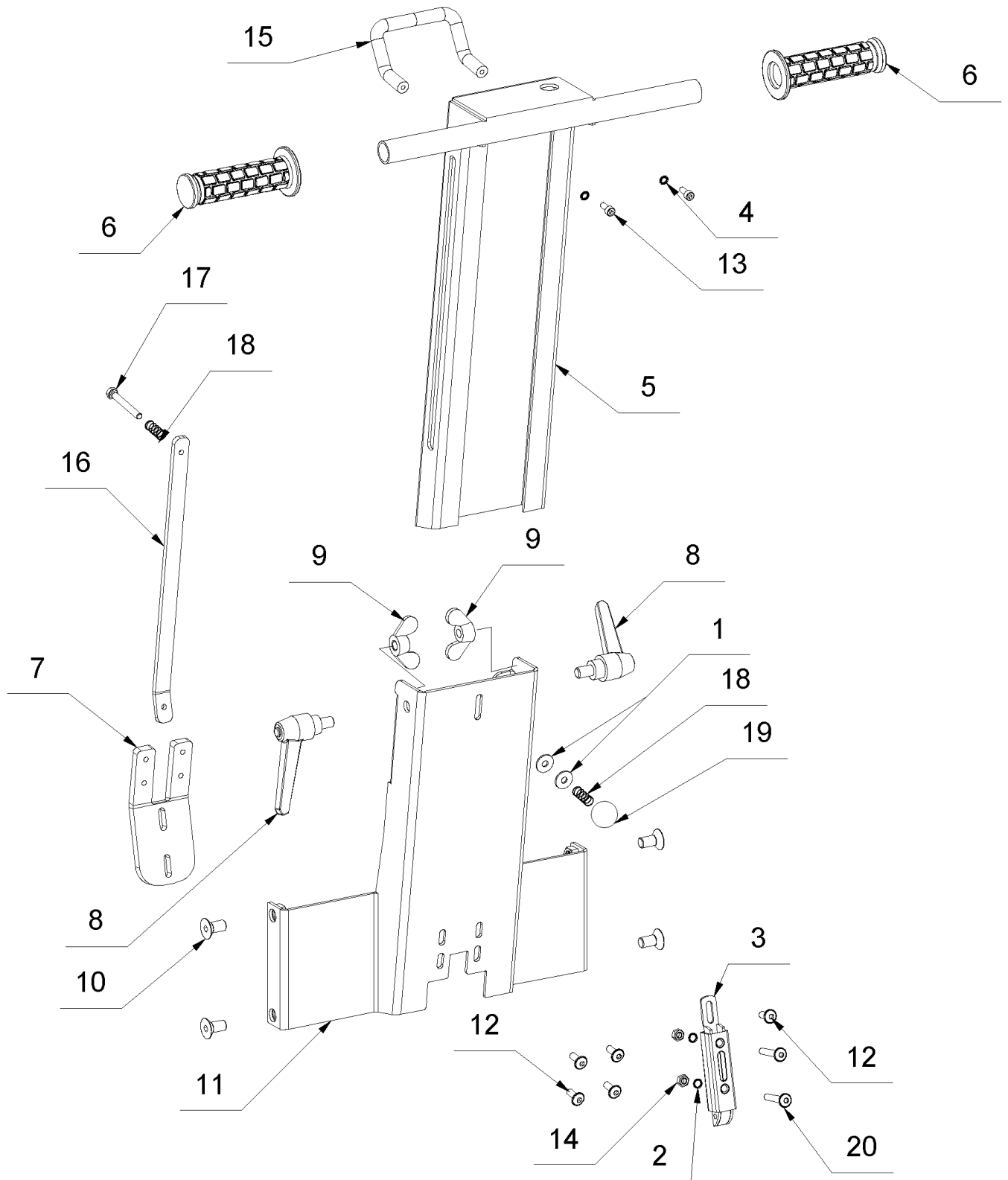


## 9 Rear frame + weight

Item no.	Article no.	Description	Quantity
1	014734	Cylinder head screw M8x20 DIN 912	4
2	017651	Cylinder head screw M8x16 DIN 912	2
3	073954	Countersunk screw M16x30 DIN 7991 10.9	4
4	014915	Handle/Grip GN528 117mm	2
5	074034	SG Chassis drive Robo-Stripper	1
6	074019	Shackle Additional weight behind RoboStr	1
7	074028	Additional weight behind Robo-Stripper	1
8	073887	Gear plate behind Robo-Stripper	1
9	037940	Three-star grip nut D63 x M10	1
10	053041	Stud bolt M10x45 DIN 835	1
11	014860	Schnorr Washer M8	6



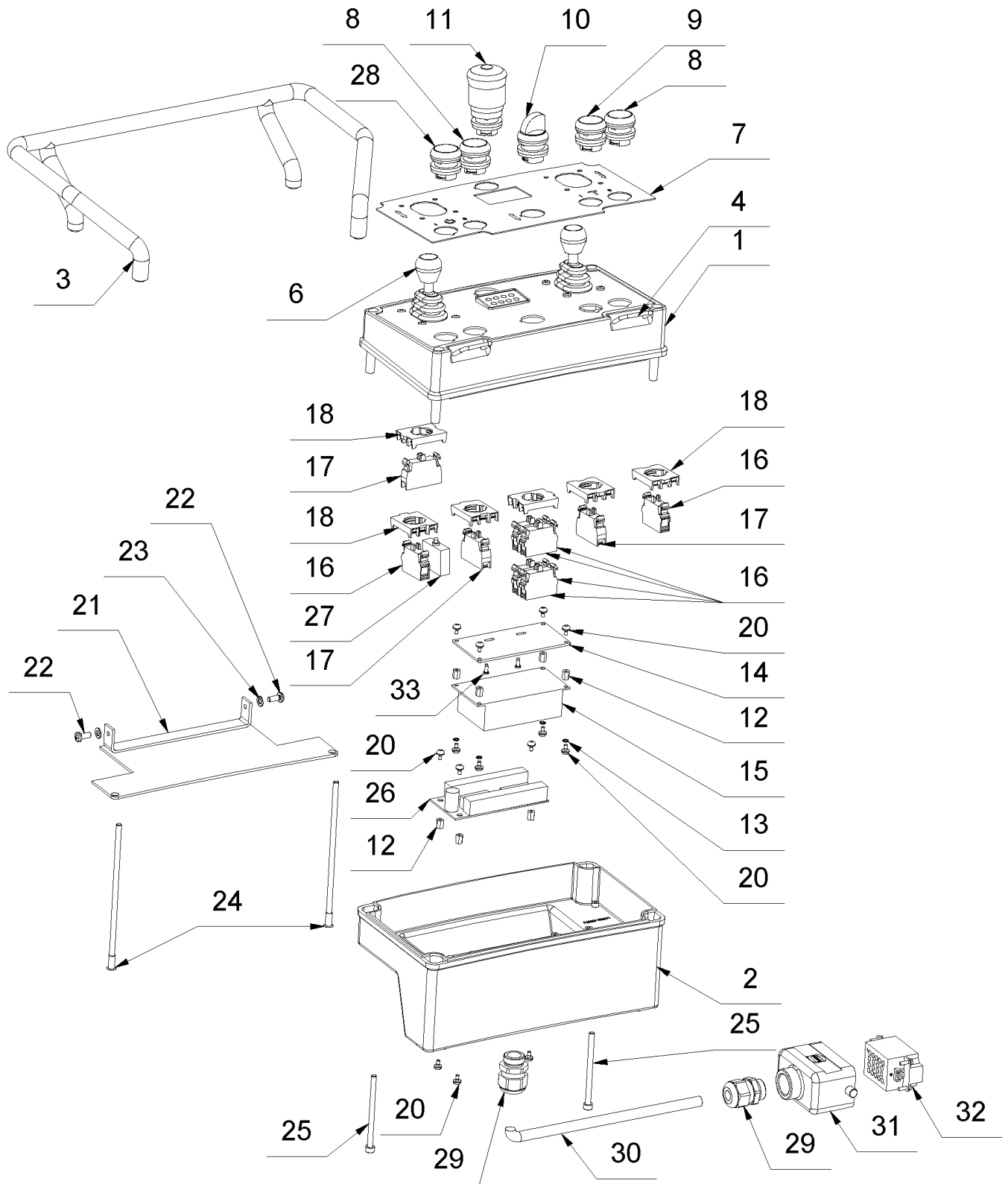
# 10 Handle



## 10 Handle

Item no.	Article no.	Description	Quantity
1	017724	Washer DIN 9021 6,4x18x1,6	2
2	014859	Schnorr washer M6	2
3	074089	Spring latch	1
4	014858	Schnorr washer M5	2
5	074031	SG-Handle upper part Robo-Stripper	1
6	073574	Grip covering Ø22mm	2
7	074018	Holder spring latch Robo-Stripper	1
8	038567	Clamping lever GN300-92-M10-16-SW	2
9	073705	Wing nut M10 DIN 315	2
10	014762	Countersunk screw M10x20 DIN7991 10.9	4
11	074032	SG-Handle lower part Robo-Stripper	1
12	017552	Lens head screw M 6x16 ISO 7380	5
13	017561	Cylinder head screw M5x12 DIN 912	2
14	014809	Hexagon nut M6 DIN 934	2
15	074094	Machine handle angled	2
16	074129	Pull rod Robo-Str.	1
17	018731	Hexagonal screw M 6x 50 DIN 933	1
18	014894	Pressure spring VD-090E / 9x23,90x0,55	2
19	017543	Ball Handle 25mm M6 black	1
20	073946	Lens screw M 6x35 ISO7380 ähnl.	2

# 11 Cockpit

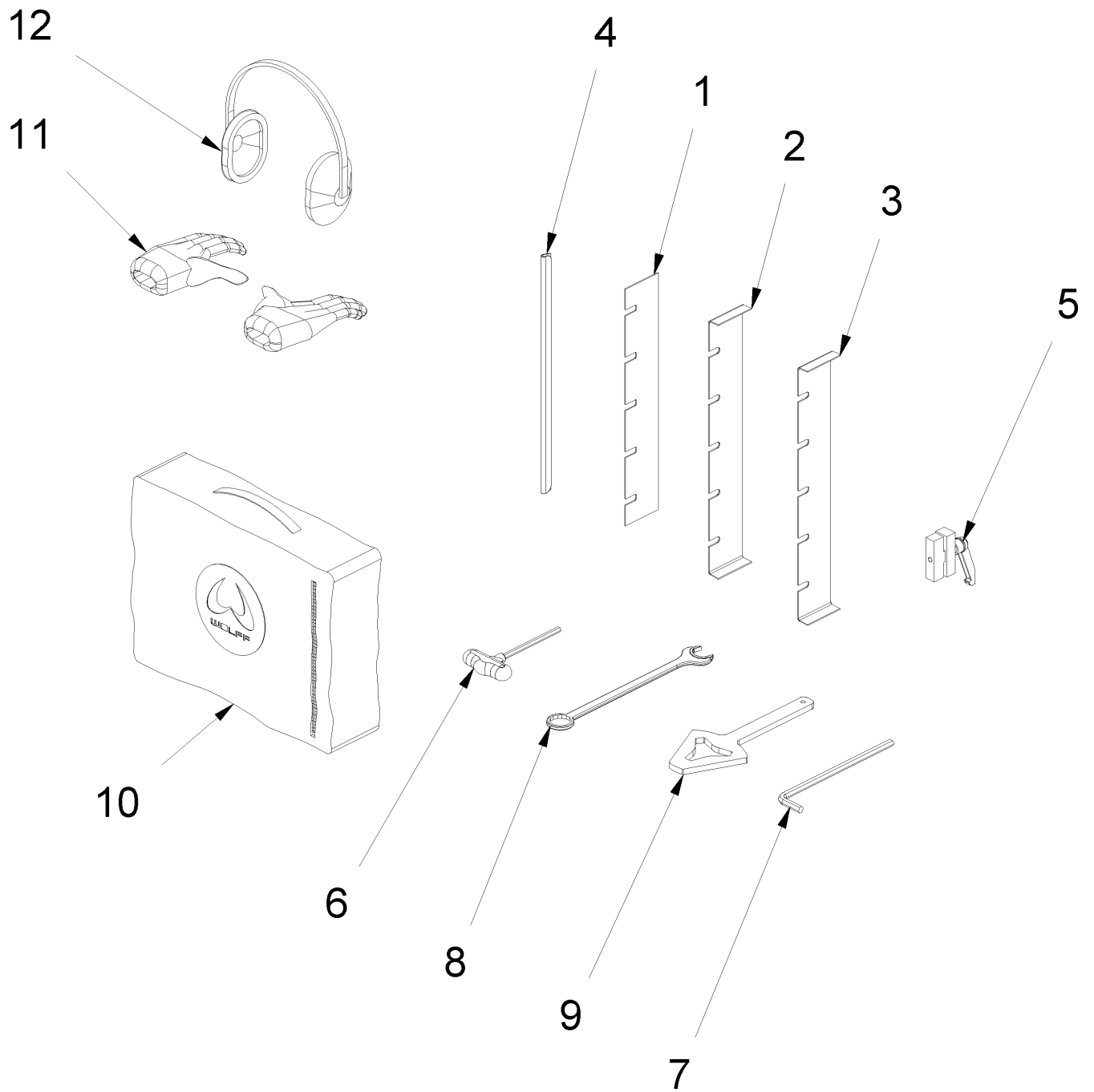


## 11 Cockpit

Item no.	Article no.	Description	Quantity
1		Cover	1
2		Base	1
3		Reeling	1
4		Fatening	2
6	076989	Spur gear Robo-Str.	2
7	076988	Front cover Robo-Str.	1
8	074268	Push button flat red	2
9	074267	Push button flat green	1
10	074269	Selector switch SEE 77257	1
11	052443	Safety switch	1
12	075473	Distance bolt Robo-Str.	7
13	017772	Schnorr washer M3	8
14	075026	Adapter plate power pack Robo-Str.	1
15	074936	Power supply 24V Robo-Str.	1
16	017505	Contact element shut NO	6
17	017507	Contact element open NC	3
18	017503	Adapterattachment	6
19	047935	Nut PE M20x1,5	1
20	017555	Lens head screw M3x6	14
21		Cover below	1
22		Slotted pan-head bolt	2
23		Washer	2
24		Lens head bolt	2
25		Cylinder head bolt	2
26	074184	Control board Nullserie Robo-Stripper	1
27	038638	LED for signal lamp	1
28	053957	Illuminated pushbuttons X-Light Mobil	1
29	051948	Cable gland M20x1.5	2
30	074390	Control cable pedestal Robo-Str.	1
31	074062	Housing for grommet M20 Robo-Str.	1
32	074067	Pin insertion Robo-Str.	1
33	075529	Lens head screw 3x 8	2
	o.Abb		1

## 13 Tool kit

---



## 13 Tool kit

Item no.	Article no.	Description	Quantity
1	013979	Spare blades, 350 x 60 x 1,5 mm, 10 pcs.	1
2	038933	U-Blade 350mm bottom cutting edge	1
3	013983	U-Blade 350mm top cutting edge	1
4	017647	Blade protection 350mm	1
5	080274	Twist lock set cpl. Robo-Str.	1
6	019141	T-handle 6-kt SW 6	1
7	070900	Hexagonal screw key SW8 DIN 911L	1
8	074284	Ring end wrench SW24	1
9	074069	Key three star attacked Robo-Str.	1
10	054064	Tool bag green - Wolff	1
11	015809	Safety gloves 1 pair	1
12	015315	Hearing protectors	1

## 14 Accessory

---

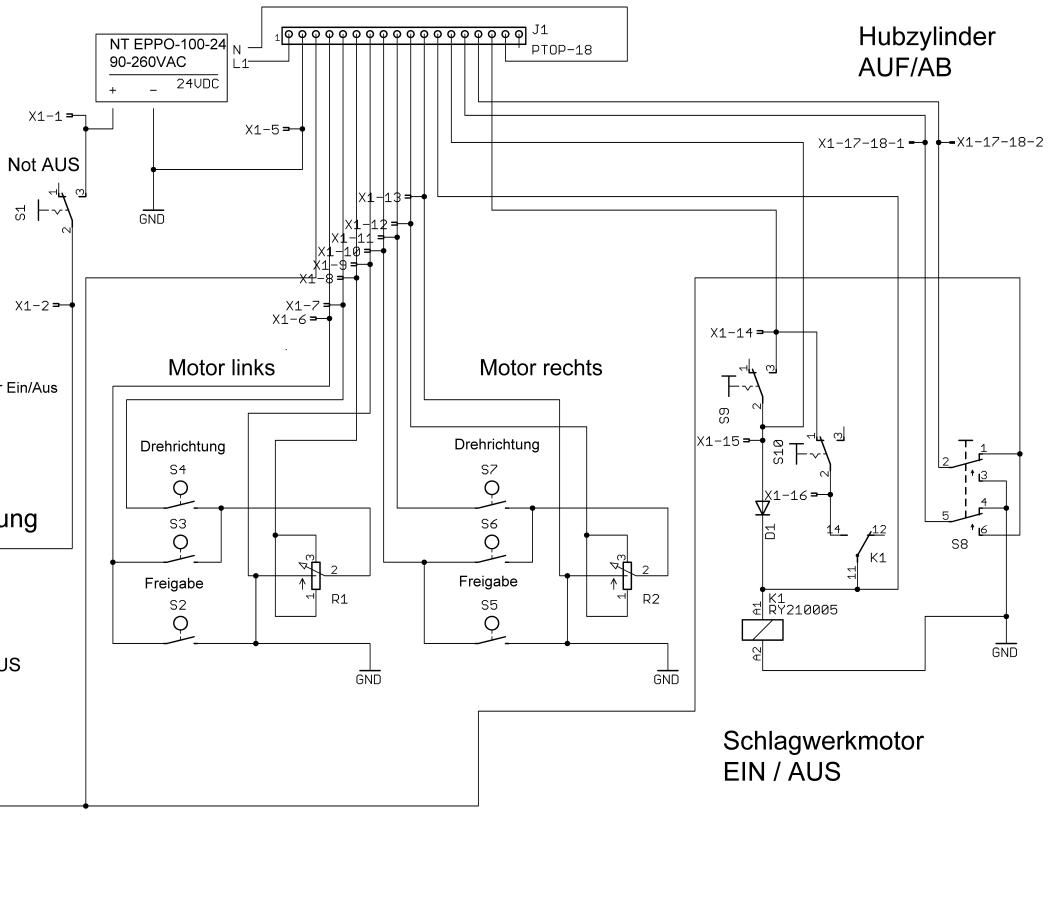
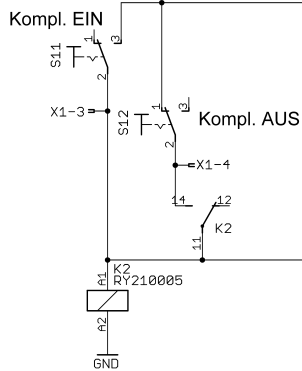
Article no.	Description	Quantity
013978	Spare blades, 350 x 60 x 1,0 mm, 10 pcs.	1
013979	Spare blades, 350 x 60 x 1,5 mm, 10 pcs.	1
013980	Spare blades, 200 x 60 x 1,5 mm, 10 pcs.	1
013981	Spare blades, 150 x 60 x 1,5 mm, 10 pcs.	1
013982	Spare blade, 350 x 120 x 1,5 mm	1
013983	U-Blade 350mm top cutting edge	1
038933	U-Blade 350mm bottom cutting edge	1
039362	Special blade, heavy type, 350 mm	1

# 15 Circuit diagram Cockpit

Belegung der Steckerleiste:

- 1 = + 24VDC
- 2 = - 24VDC (GND)
- 3 = Not-AUS gesch. + 24VDC
- 4 = Motor links Freigabe (7)
- 5 = Motor links Drehrichtung (6)
- 6 = Motor links Drehzahl Poti (2)
- 7 = Motor links Drehzahl Poti (1)
- 8 = Motor rechts Freigabe (7)
- 9 = Motor rechts Drehrichtung (6)
- 10 = Motor rechts Drehzahl Poti (2)
- 11 = Motor rechts Drehzahl Poti (1)
- 12 = Schlagwerkmotor Ein/Aus
- 13 = Schlagwerkmotor Anlaufkondensator Ein/Aus
- 14 = Hubzylinder +/- 24VDC
- 15 = Hubzylinder +/- 24VDC
- 16 = GND Relais K1 Thermoschalter
- 17 = N

## EIN / AUS Steuerung



## Schlagwerkmotor EIN / AUS

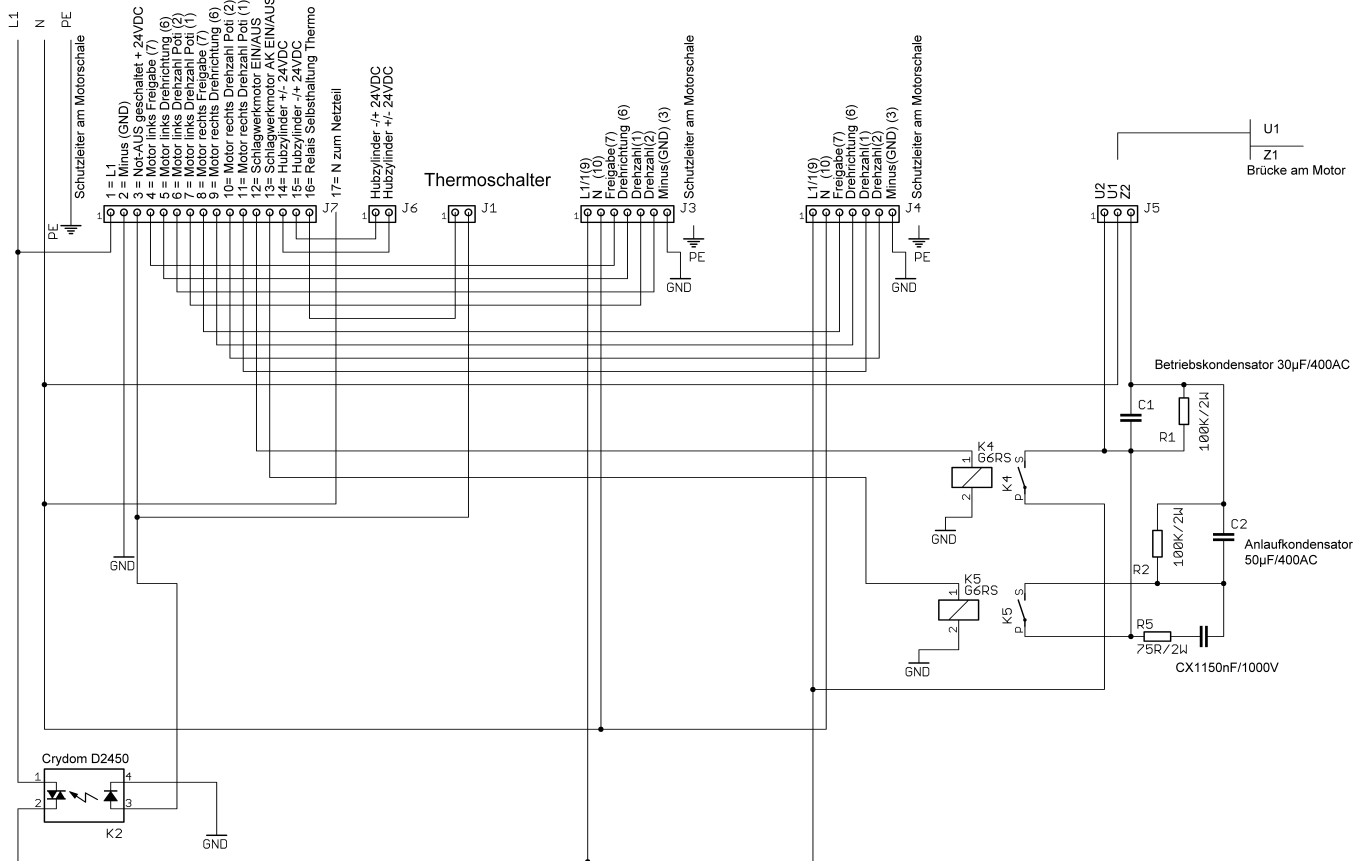


## 15 Circuit diagram Cockpit

---

# 16 Circuit diagram Drive unit

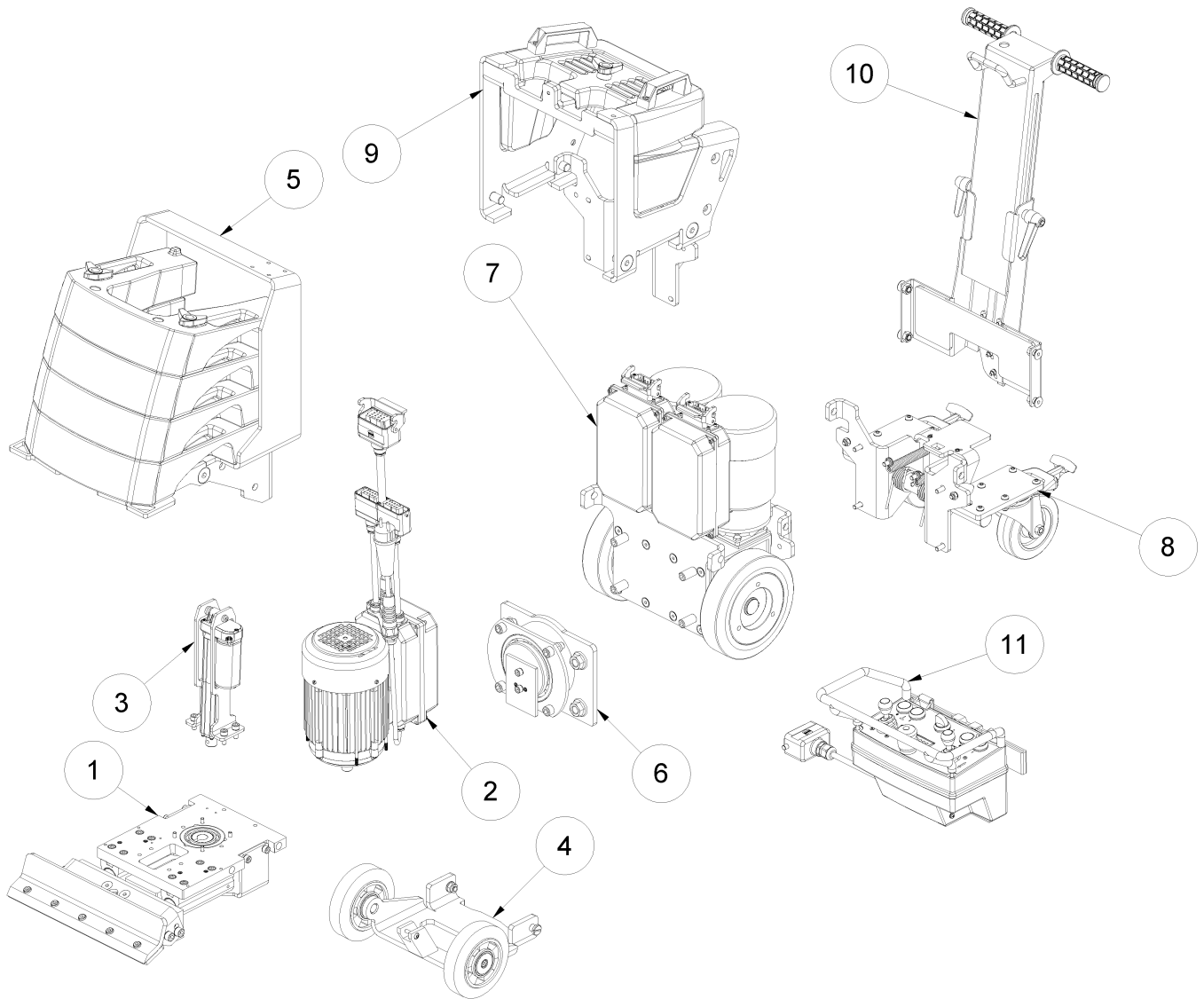
Bedienteil Hubzylinder Motor links Motor rechts Schlagwerk motor



## 16 Circuit diagram Drive unit

---

# Robo Stripper (019/2014-034/2015)

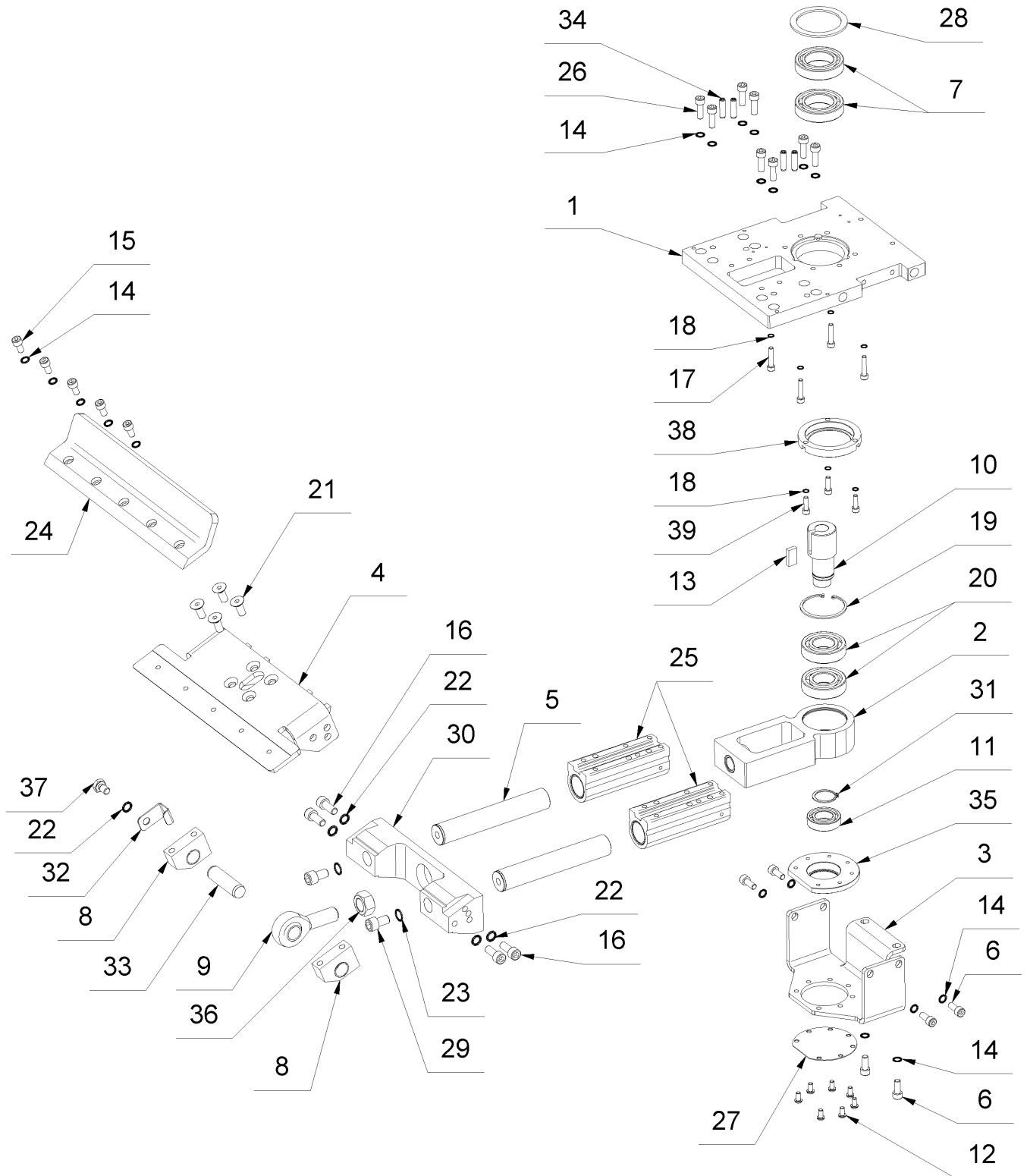


## Robo Stripper (019/2014-034/2015)

---

Item no.	Article no.	Description
1	02_01_073888	Impact
2	02_02_073888	Impact motor
3	01_03_073888	Actuator
4	01_04_073888	Front Carriage
5	01_05_073888	Front frame+weight
6	01_06_073888	Hinge
7	01_07_073888	Drive unit
8	01_08_073888	Rear Carriage
9	01_09_073888	Rear frame + weight
10	01_10_073888	Handle
11	02_11_076597	Cockpit
13	01_13_073888	Tool kit
14	01_14_073888	Accessory
15	02_15_073888	Circuit diagram Cockpit
16	02_16_073888	Circuit diagram Drive unit

# 1 Impact



# 1 Impact

Item no.	Article no.	Description	Quantity
1	073868	Base support Robo-Stripper	1
2	073880	Connecting rod Robo-Stripper	1
3	074017	Storage console Robo-Stripper	1
4	074026	Striker Foot Casting 350 Robo S004	1
5	074099	Piston rods Robo-Str.	2
6	014734	Cylinder head screw M8x20 DIN 912	6
7	014706	Ball-bearing 6008 2RS1 C3	2
8	015417	Connecting rod bearing Turbo-/Su	2
9	074090	Joint head	1
10	073865	Eccentric shaft Robo-Stripper	1
11	014704	Ball-bearing 6005 2RS1	1
12	017553	Lens head screw M6x12	7
13	074112	Feather replacement Robo	1
14	014860	Schnorr Washer M8	19
15	017651	Cylinder head screw M8x16 DIN 912	5
16	049654	Cylinder head screw M10x25 DIN 912	4
17	017678	Cylinder head screw M6x30 DIN 912	4
18	014859	Schnorr washer M6	7
19	014856	Safety washer I62 DIN 472	1
20	014710	Ball bearing 6206 2RS1 C3	2
21	014763	Countersunk screw M10x25 DIN 7991 10.9	4
22	014861	Washer M10	5
23	014862	Washer M12	2
24	073985	Deflector 350 Robo-Stripper	1
25	074242	Guide sleevesquare compl.Robo SEE 169030	2
26	014735	Cylinder head screw M8x25 DIN 912	8
27	074072	Sheet metal shielding Robo-Stripper	1
28	074216	Shim ring 63x80x1.5 DIN 988	1
29	017614	Cylinder head screw M12x20 DIN 912	2
30	074071	U-Bracket StrikerFootCastingRobo-Str.	1
31	014853	Safety washer A30 DIN 471	1
32	074225	Sheet to hedge Robo-Str.	1
33	074051	Cylindrical pin 20x70 DIN 7979	1
34	016873	Cylindrical pin 8x30 DIN 7979	4

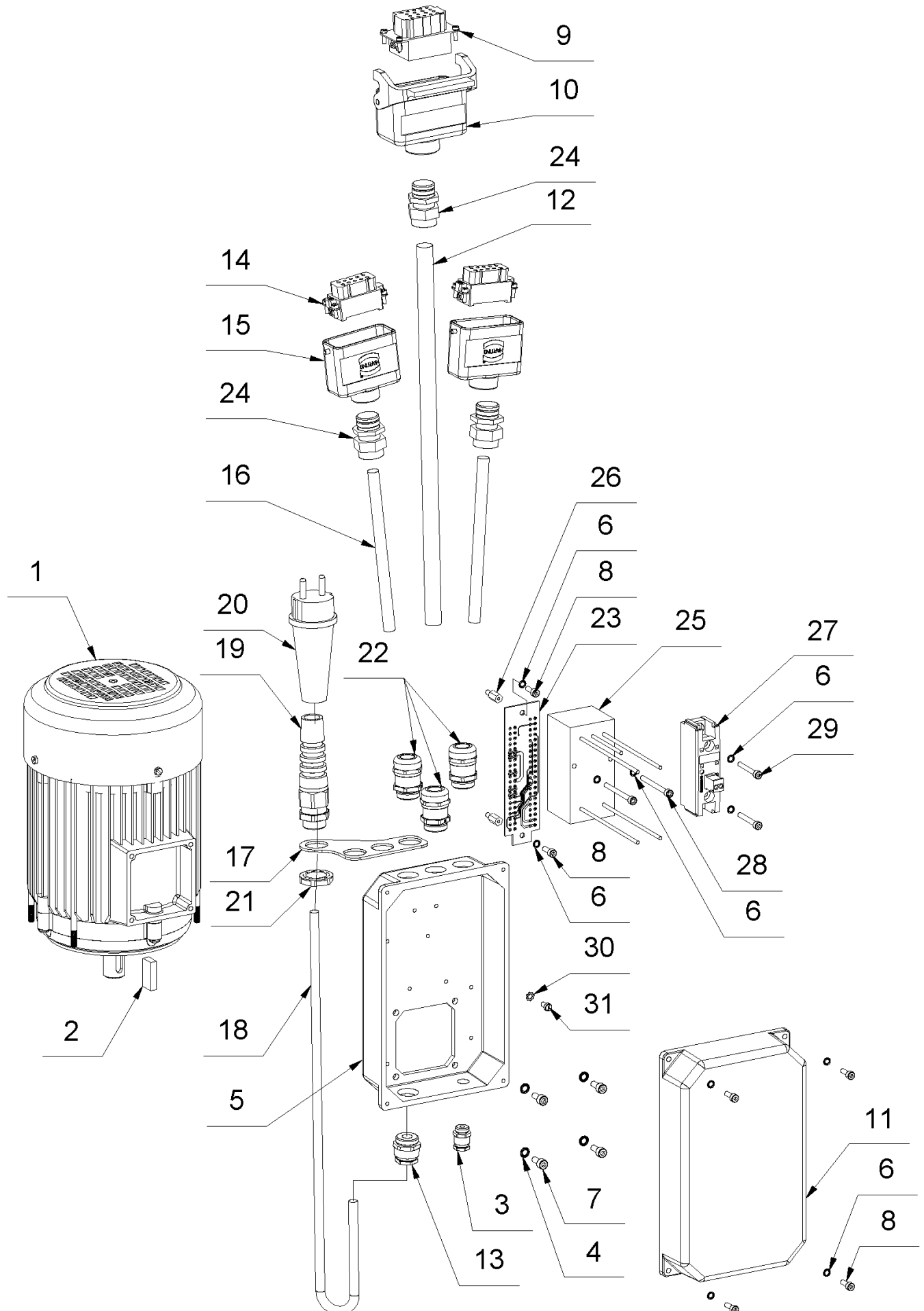
## 1 Impact

---

Item no.	Article no.	Description	Quantity
35	073871	Drive hub plate Robo-Stripper	1
36	082493	Hexagon nut M 20x1,5 DIN 934	1
37	018168	Hexagon head screw M10x 16 DIN 933	1
38	074938	Storage disk Robo-Str	1
39	014752	Cylinder head screw M6x20DIN 912 microve	3



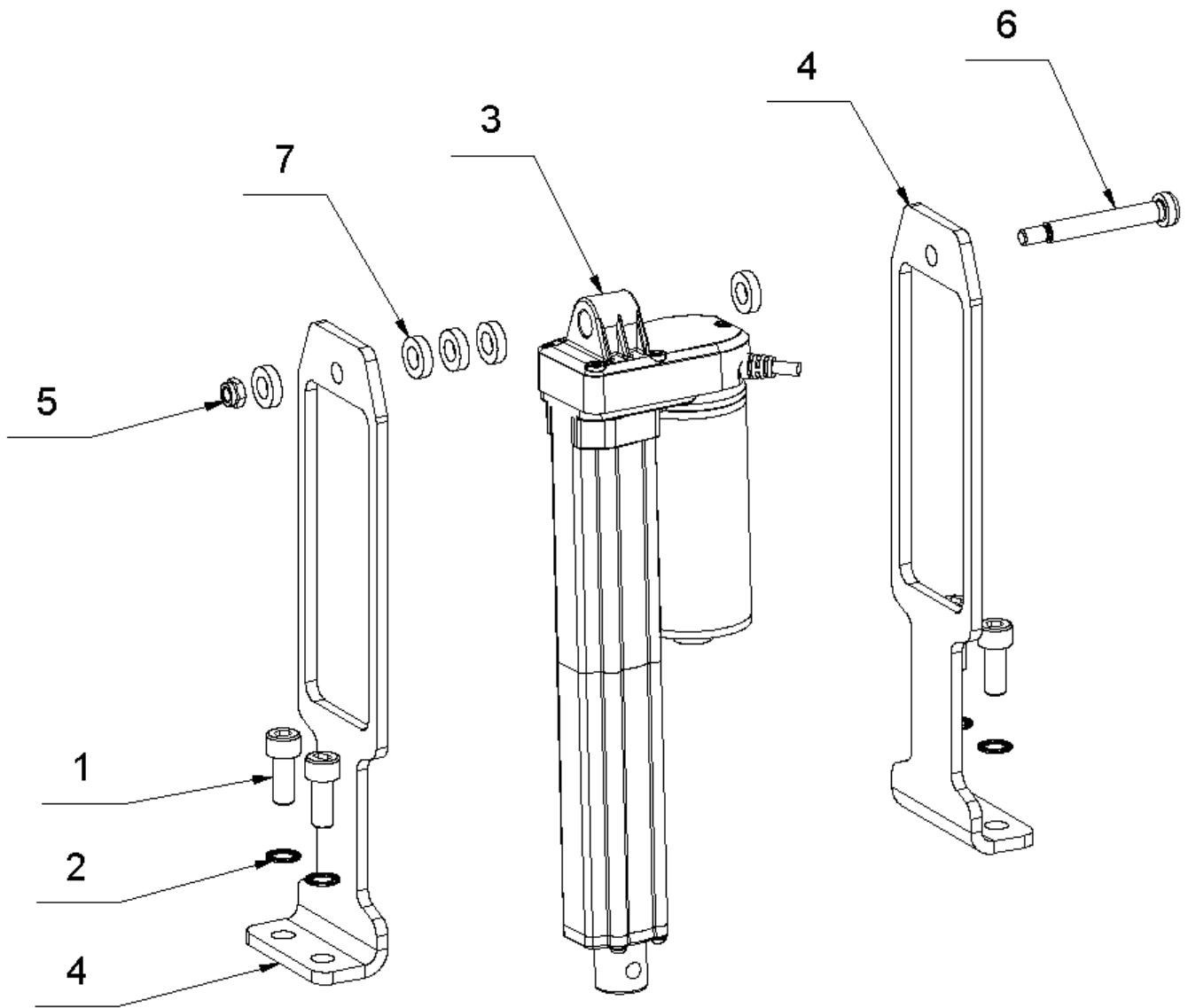
## 2 Impact motor



## 2 Impact motor

Item no.	Article no.	Description	Quantity
1	075061	Motor 3-ph Impact system Robo-Stripper	1
2	074112	Feather replacement Robo	1
3	074065	Cable connection M12x1,5	1
4	014858	Schnorr washer M5	4
5	074001	Cover Control unit Robo-Stripper	1
6	016961	Snorr washer M4	10
7	017561	Cylinder head screw M5x12 DIN 912	4
8	018284	Cylinder head screw M4x12 DIN 912	6
9	074066	Bushing insert Robo-Str.	1
10	074063	Clutch housing M20 Robo-Str.	1
11	076872	Frequency converters Impact syst.Robo	1
12	074388	Control line Control unit Robo-Str.	1
13	074064	Cable connection SKINDICHT M20x1,5	6
14	060034	Bush insert 10A/10 polig	2
15	060033	Housing 10A	2
16	074391	Control line frequency inverter Robo-Str	2
17	074084	Supporting plate Power cord Robo-Str.	1
18	074394	El.cord 3G2,5 <sup>2</sup> x without plug Robo-Str.	1
19	039190	Screw connection w.bending prot.M20x1,5	2
20	039203	Plug grey	1
21	047935	Nut PE M20x1,5	1
22	076883	Bolt joint SKINTOP M20x1,5 EMV	3
23	076956	Distributor board Serie Robo-Str.	1
24	051948	Cable gland M20x1.5	3
25	076832	Condenser to screen Robo-Str.	1
26	076899	Distance bolt M4x12 Robo-Str.	2
27	077574	Semiconductor relays Robo-Str.	1
28	017684	Cylinder head screw M4x45 DIN 912	2
29	018281	Cylinder head screw M4x30 DIN 912	2
30	017663	Tooth lock washer 4.3 Form A DIN 6797	1
31	017473	Cylinder head screw M4x8 DIN 84 brass	1

### 3 Actuator

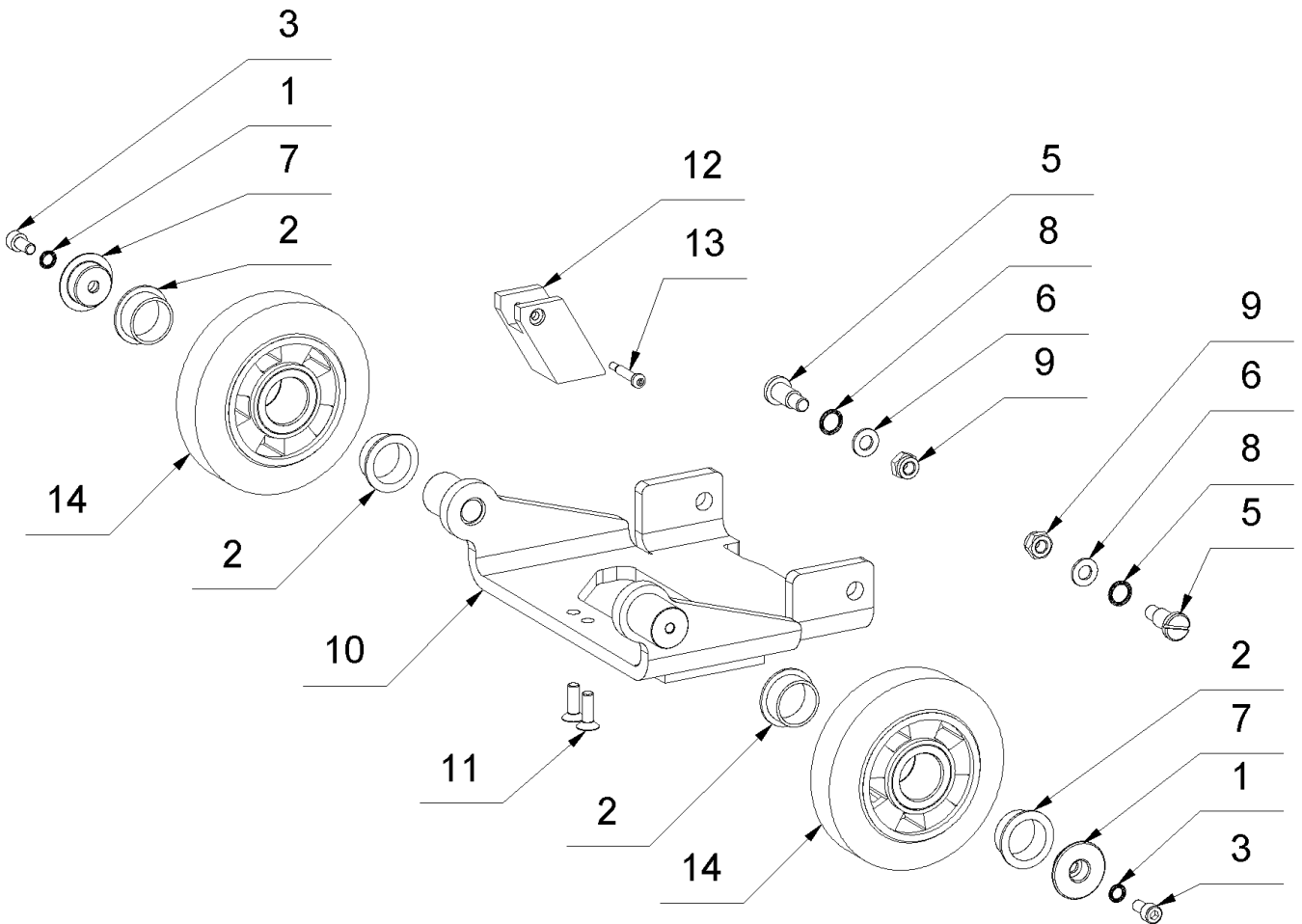


### 3 Actuator

---

Item no.	Article no.	Description	Quantity
1	014734	Cylinder head screw M8x20 DIN 912	4
2	014860	Schnorr Washer M8	4
3	074088	Electric cylinders Robo-Str.	1
4	074021	Holder stroke cylinders Robo-Stripper	2
5	014815	Hexagon nut M6 DIN985	1
6	073944	Fitting bolt M6xØ8x50 ISO 7379	1
7	074217	Distance ring 8,5x16x4 black	5

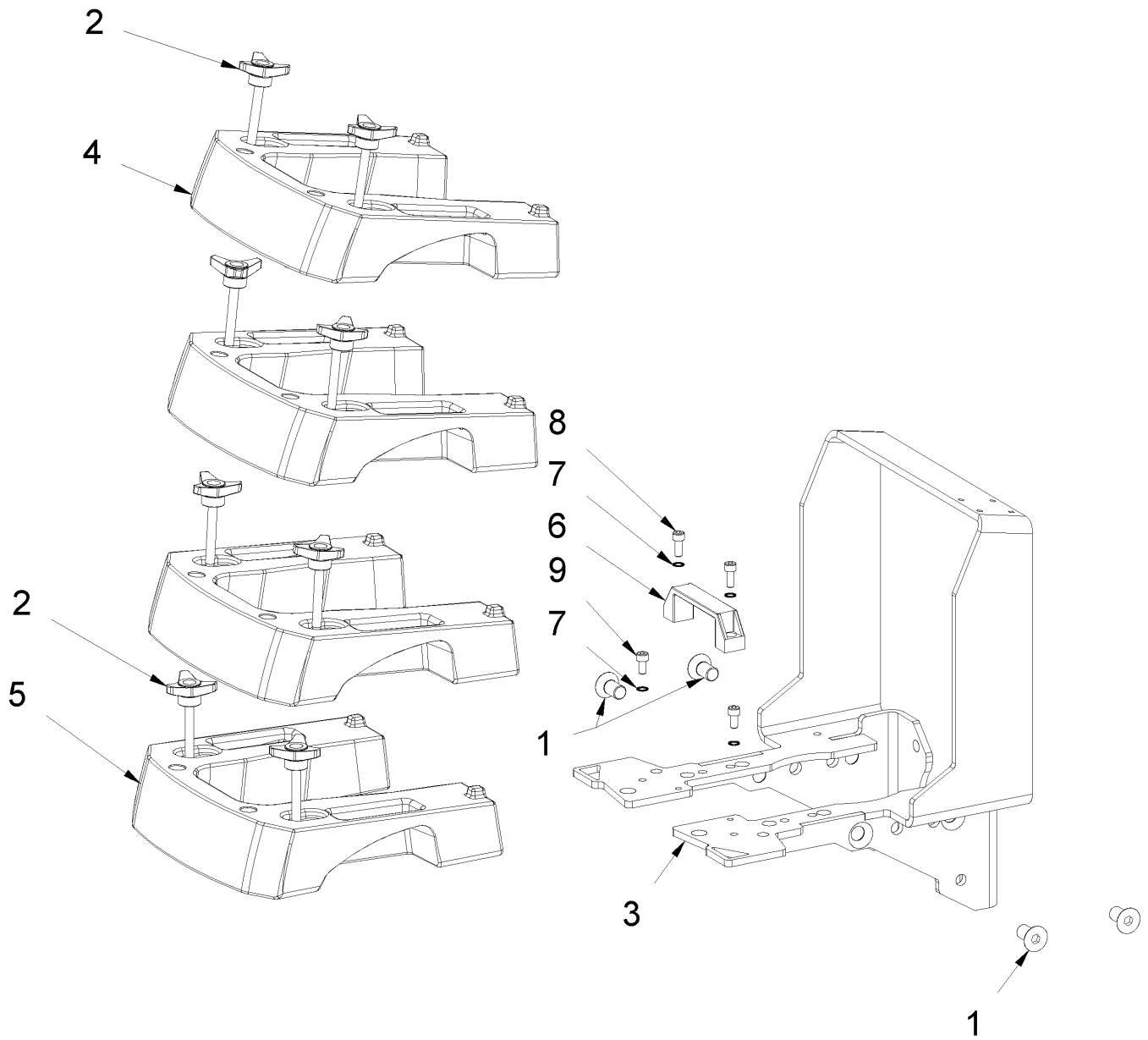
## 4 Front Carriage



## 4 Front Carriage

Item no.	Article no.	Description	Quantity
1	014860	Schnorr Washer M8	2
2	074085	Bushing GFM 3034-16	4
3	017651	Cylinder head screw M8x16 DIN 912	2
5	073947	Flat head screw M10x20 DIN 923	2
6	014829	Washer M10 DIN 125 A	2
7	073876	Washer Transport wheel Robo-Stripper	2
8	014862	Washer M12	2
9	014817	Hexagon nut M10 DIN 985	2
10	074027	SG Carriage up front Robo-Stripper	1
11	014761	Countersunk screw M8x25 DIN 7991 10.9	2
12	083807	Holder Cylinder rod SEE 083808	1
13	073945	Screw M 6x25 ISO 7379 SEE 083806	1
14	073996	Transport Wheel cpl. Robo-Stripper	2

## 5 Front frame+weight

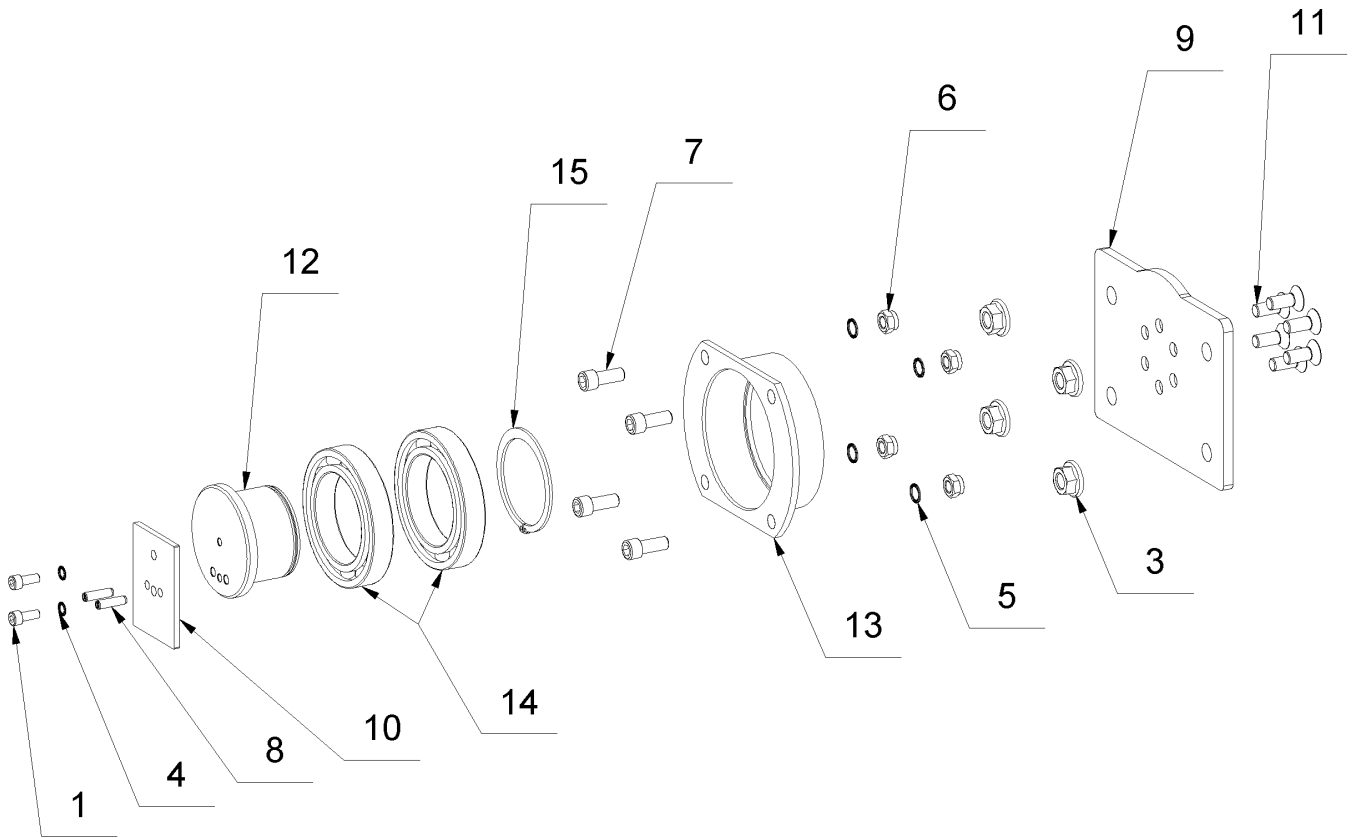


## 5 Front frame+weight

Item no.	Article no.	Description	Quantity
1	073954	Countersunk screw M16x30 DIN 7991 10.9	4
2	074111	Three star screw M10x100 cpl.	8
3	074035	Chassis Impact system Robo-Str.	1
4	074030	Additional weight in front grey RoboStr.	3
5	074029	Additional weight in front RoboStr.green	1
6	014915	Handle/Grip GN528 117mm	1
7	014860	Schnorr Washer M8	4
8	014734	Cylinder head screw M8x20 DIN 912	2
9	017651	Cylinder head screw M8x16 DIN 912	2



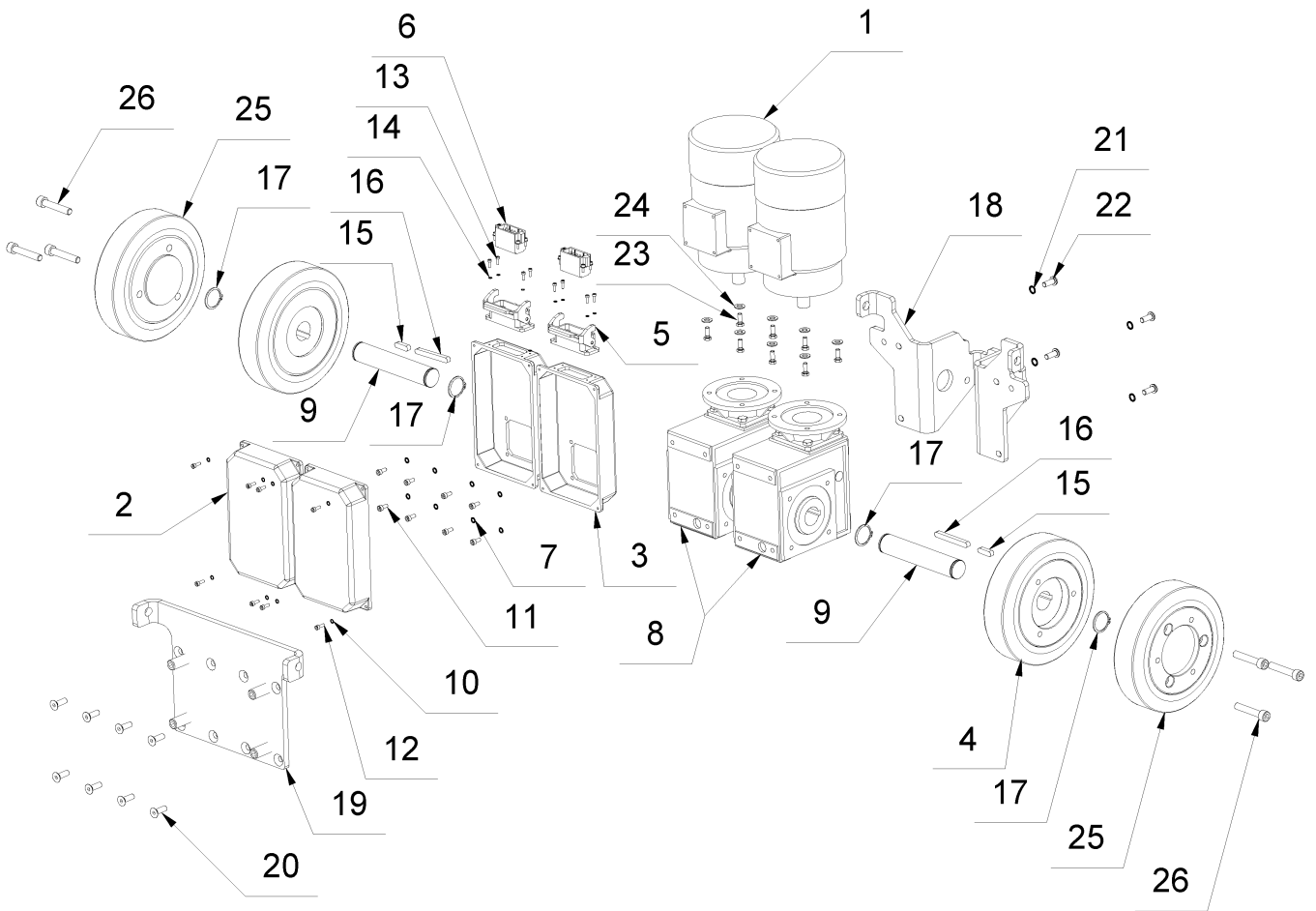
# 6 Hinge



## 6 Hinge

Item no.	Article no.	Description	Quantity
1	014734	Cylinder head screw M8x20 DIN 912	2
3	073952	Locknut M16 DIN 6923	4
4	014860	Schnorr Washer M8	2
5	014862	Washer M12	4
6	018770	El.stop-nut M12 DIN 985	4
7	014744	Cylinder head screw M12x30 DIN 912	4
8	016873	Cylindrical pin 8x30 DIN 7979	2
9	074033	Separating plate Robo-Stripper	1
10	073867	Stop swivel Robo-Stripper	1
11	018333	Countersunk screw M12x30 DIN 7991blank	6
12	073869	Gear shaft Robo-Stripper	1
13	073870	Socket swivel joint Robo-Stripper	1
14	073793	Ball bearing 6017 2RS1	2
15	076749	Safety washer A85 DIN 471	1

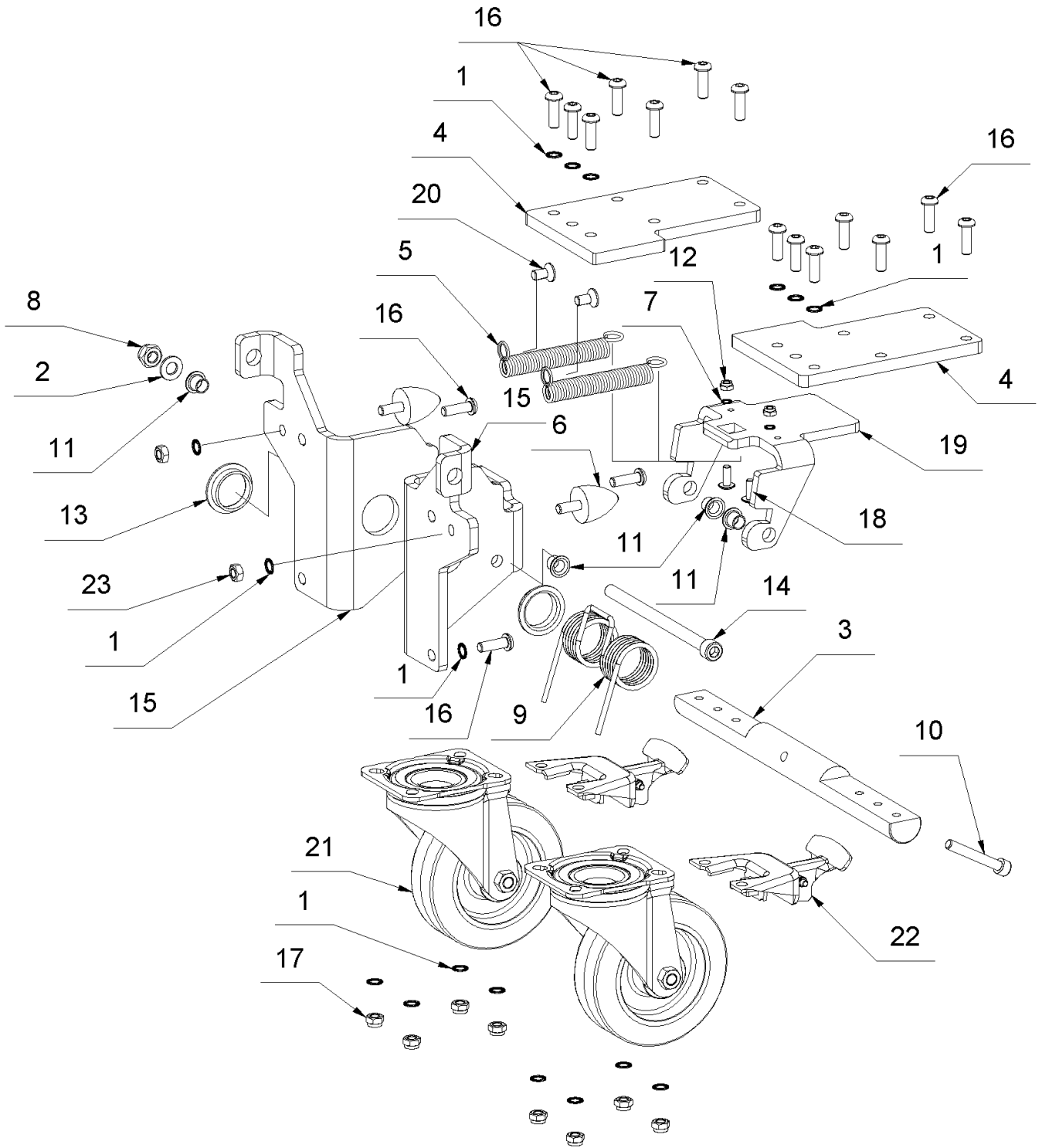
# 7 Drive unit



## 7 Drive unit

Item no.	Article no.	Description	Quantity
1	073859	Motor drive unit Robo-Stripper	2
2	073882	Frequency inverter Robo-Stripper	2
3	073883	Cover Robo-Stripper	2
4	073990	Driving wheel inside cpl. Robo-Stripper	2
5	060032	Housing 10A	2
6	060035	Pin employment 10A/10 polig	2
7	014858	Schnorr washer M5	8
8	073858	Gear Robo-Stripper	2
9	073866	Axle Drive shaft Robo-Stripper	2
10	016961	Snorr washer M4	8
11	017561	Cylinder head screw M5x12 DIN 912	8
12	018284	Cylinder head screw M4x12 DIN 912	8
13	014715	Cylinder head screw M3x10 DIN 912	8
14	017772	Schnorr washer M3	8
15	073948	Nut key 8x7x30 DIN 6885	2
16	073949	Feather key 8x7x70 DIN 6885	2
17	014853	Safety washer A30 DIN 471	4
18	073887	Gear plate behind Robo-Stripper	1
19	073886	Gear plate vorne Robo-Stripper	1
20	014761	Countersunk screw M8x25 DIN 7991 10.9	8
21	014860	Schnorr Washer M8	4
22	047385	Lens head screw M8x20	4
23	014770	Hexagonal screw M 6x16 DIN 933	8
24	014828	Washer M8 DIN 125 A	8
25	077758	Driving wheel outside Robo-Stripper	2
26	077757	Cylinder head screw M10x55 DIN 912	6

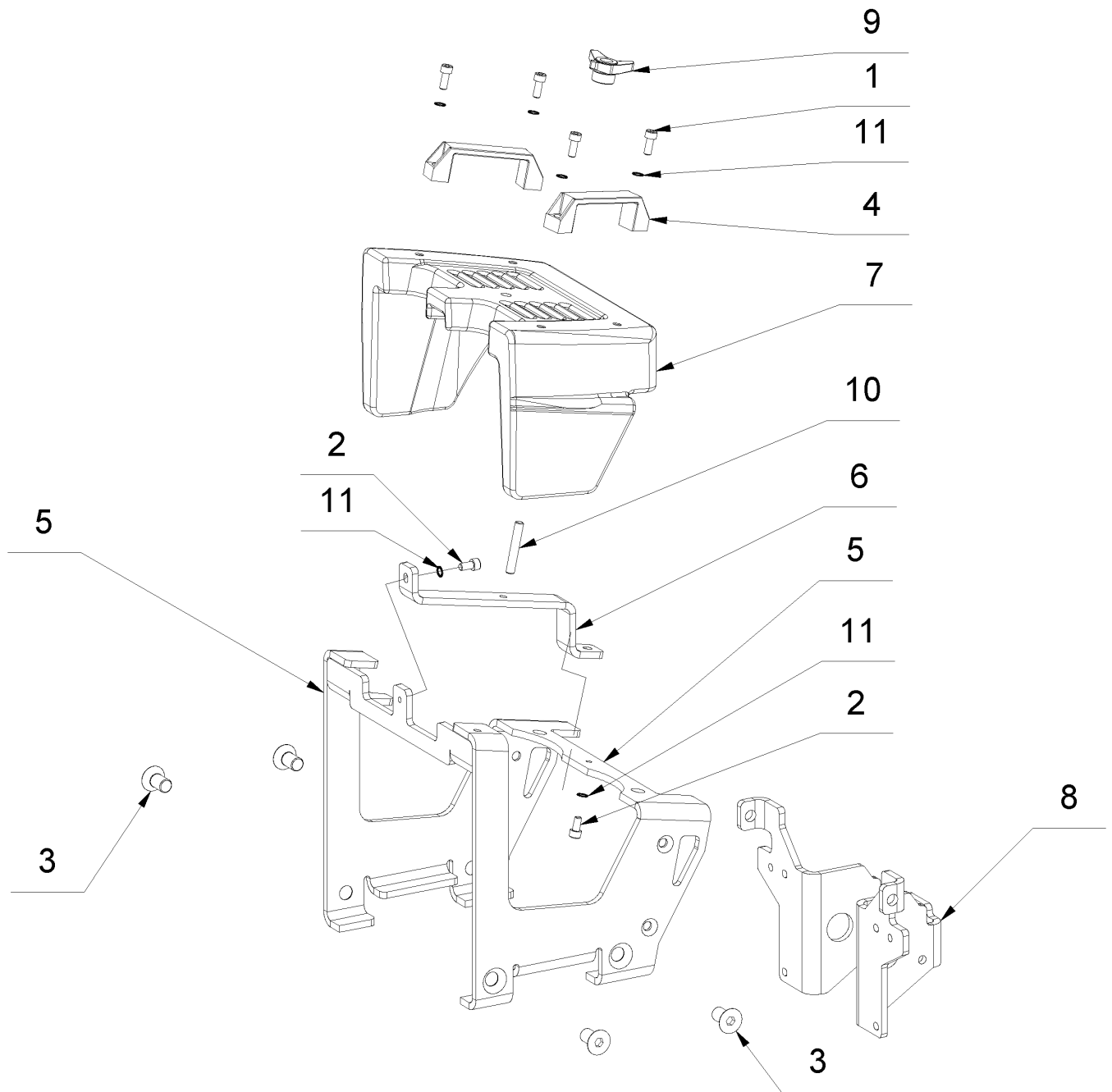
# 8 Rear Carriage



## 8 Rear Carriage

Item no.	Article no.	Description	Quantity
1	014860	Schnorr Washer M8	20
2	014829	Washer M10 DIN 125 A	1
3	073879	Axle chassis Transport wheel Robo-Str.	1
4	074016	Plate Caster Robo-Stripper	2
5	068202	Tension spring D 2,5	2
6	074091	Rubber stop parabel. Ø30-M8x20	2
7	014859	Schnorr washer M6	2
8	014817	Hexagon nut M10 DIN 985	1
9	074087	Double leg spring DSF 610	1
10	016993	Cylinder head screw M8x55 DIN 912	1
11	018682	Bushing BB 1012	4
12	014815	Hexagon nut M6 DIN985	2
13	074086	Bushing GFM 3034-09	2
14	015134	Handle with Steel Shaft M14 Turbo/Super	1
15	073887	Gear plate behind Robo-Stripper	1
16	036272	Lens head screw M 8x25	18
17	014816	Hexagon nut M8 DIN 985	8
18	017552	Lens head screw M 6x16 ISO 7380	2
19	074025	Pedal Robo-Stripper	1
20	014764	Countersunk screw M8x16 DIN7991 micro	2
21	074095	Steer roll Robo-Str.	2
22	074096	Direction locking brake Robo-Str.	2
23	014810	Hexagon nut M 8 DIN 934 I6I/I8I	2

## 9 Rear frame + weight

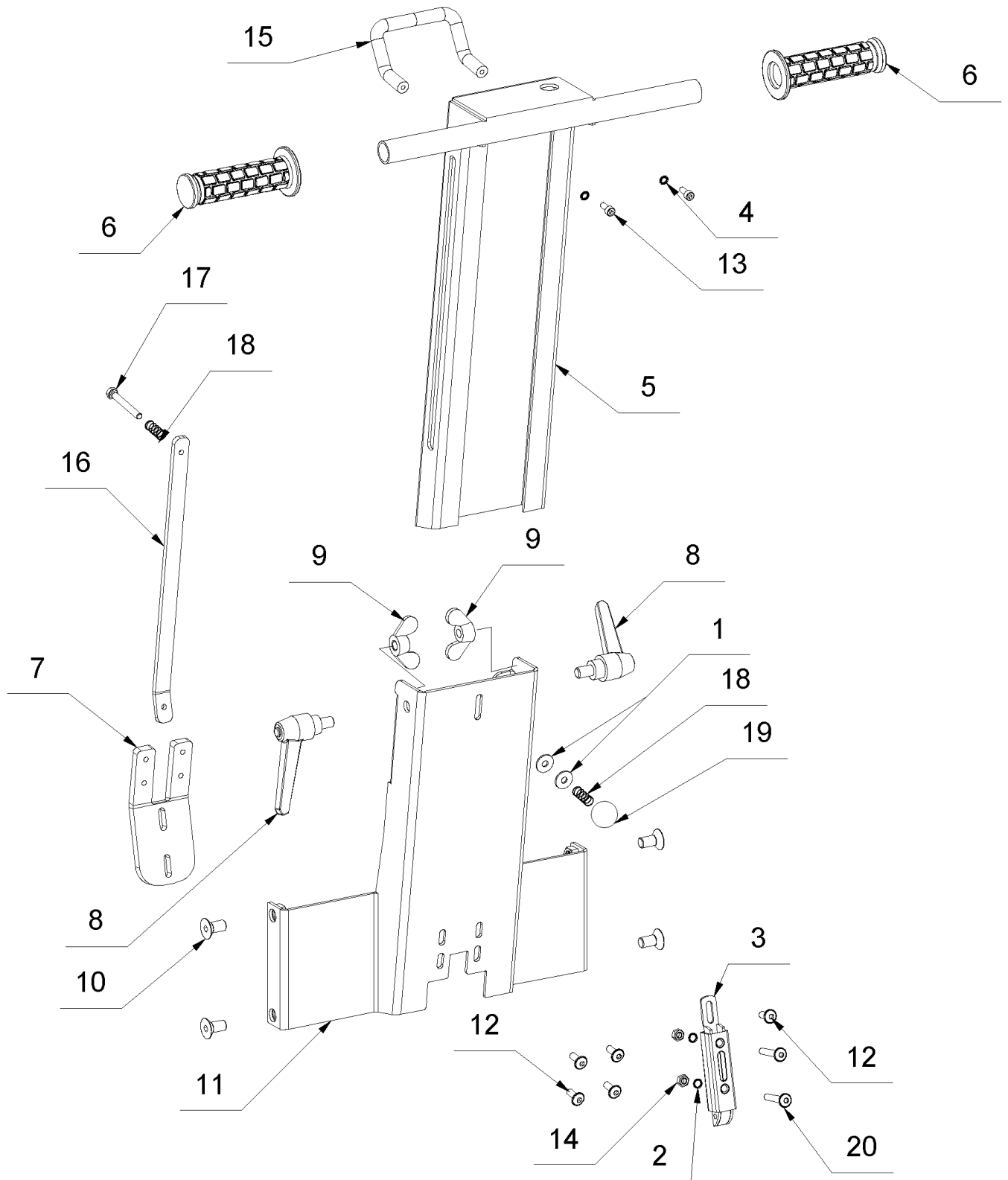


## 9 Rear frame + weight

Item no.	Article no.	Description	Quantity
1	014734	Cylinder head screw M8x20 DIN 912	4
2	017651	Cylinder head screw M8x16 DIN 912	2
3	073954	Countersunk screw M16x30 DIN 7991 10.9	4
4	014915	Handle/Grip GN528 117mm	2
5	074034	SG Chassis drive Robo-Stripper	1
6	074019	Shackle Additional weight behind RoboStr	1
7	074028	Additional weight behind Robo-Stripper	1
8	073887	Gear plate behind Robo-Stripper	1
9	037940	Three-star grip nut D63 x M10	1
10	053041	Stud bolt M10x45 DIN 835	1
11	014860	Schnorr Washer M8	6



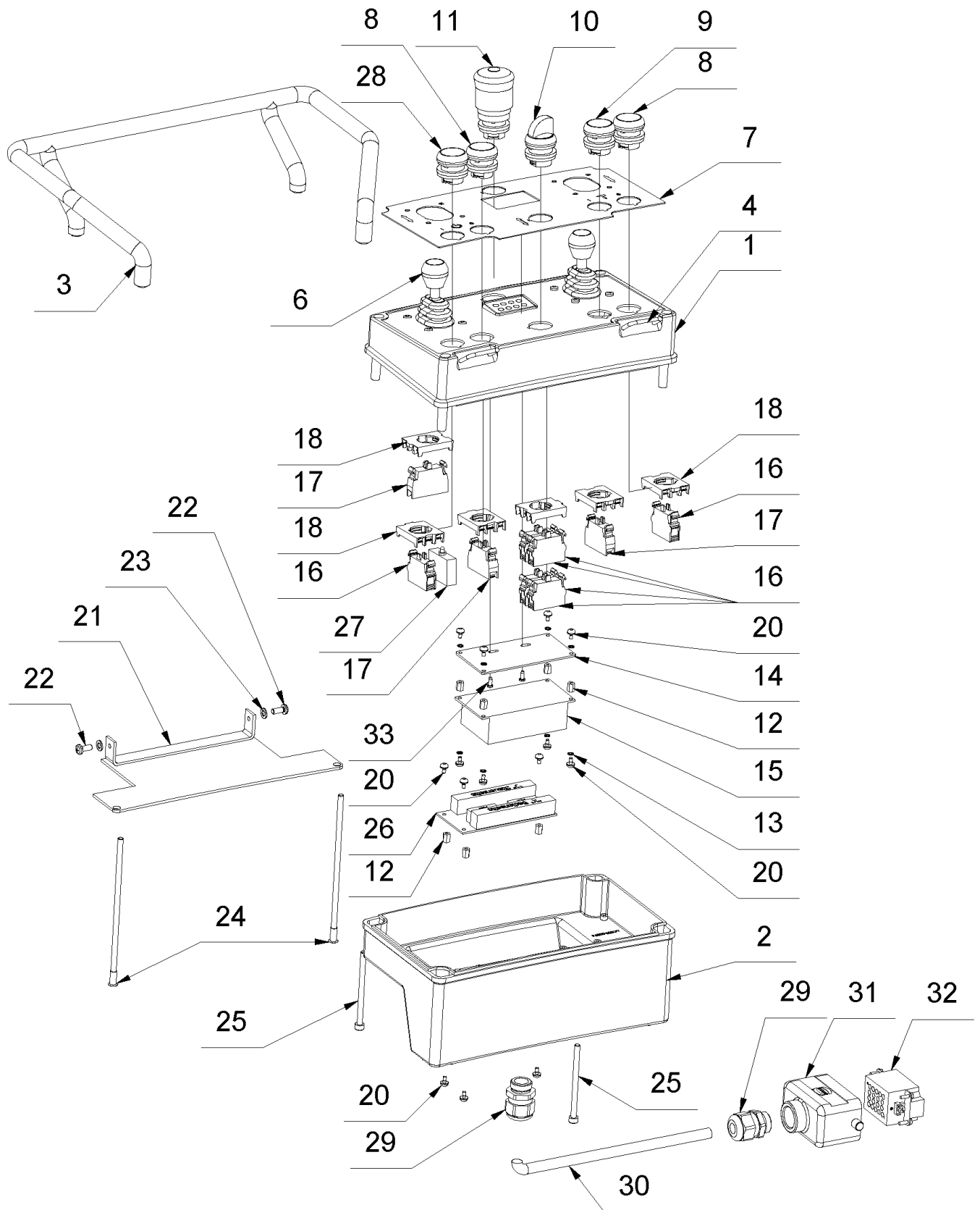
# 10 Handle



## 10 Handle

Item no.	Article no.	Description	Quantity
1	017724	Washer DIN 9021 6,4x18x1,6	2
2	014859	Schnorr washer M6	2
3	074089	Spring latch	1
4	014858	Schnorr washer M5	2
5	074031	SG-Handle upper part Robo-Stripper	1
6	073574	Grip covering Ø22mm	2
7	074018	Holder spring latch Robo-Stripper	1
8	038567	Clamping lever GN300-92-M10-16-SW	2
9	073705	Wing nut M10 DIN 315	2
10	014762	Countersunk screw M10x20 DIN7991 10.9	4
11	074032	SG-Handle lower part Robo-Stripper	1
12	017552	Lens head screw M 6x16 ISO 7380	5
13	017561	Cylinder head screw M5x12 DIN 912	2
14	014809	Hexagon nut M6 DIN 934	2
15	074094	Machine handle angled	2
16	074129	Pull rod Robo-Str.	1
17	018731	Hexagonal screw M 6x 50 DIN 933	1
18	014894	Pressure spring VD-090E / 9x23,90x0,55	2
19	017543	Ball Handle 25mm M6 black	1
20	073946	Lens screw M 6x35 ISO7380 ähnl.	2

# 11 Cockpit

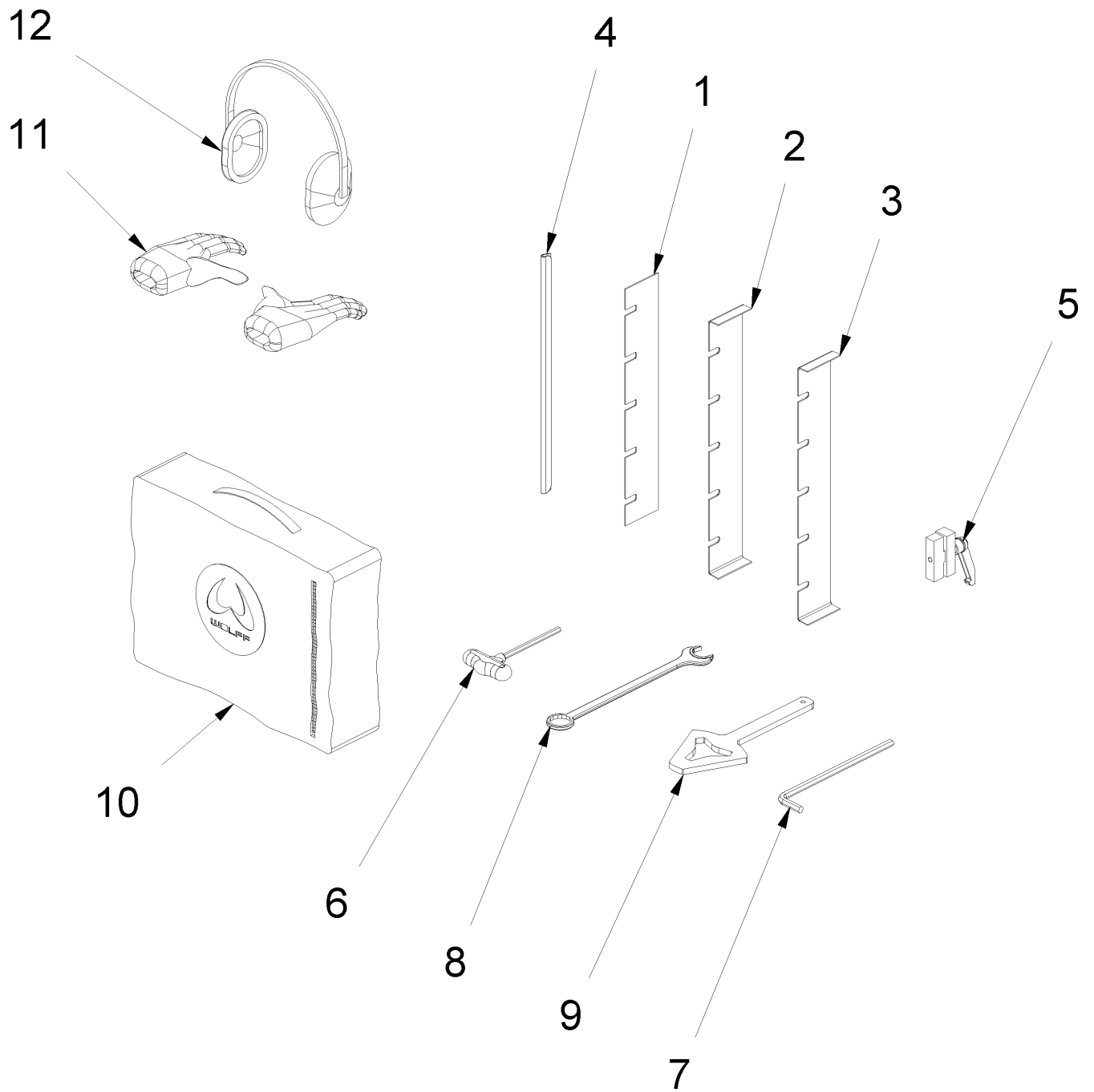


## 11 Cockpit

Item no.	Article no.	Description	Quantity
1		Cover	1
2		Base	1
3		Reeling	1
4		Fatening	2
6	076989	Spur gear Robo-Str.	2
7	076988	Front cover Robo-Str.	1
8	074268	Push button flat red	2
9	074267	Push button flat green	1
10	074269	Selector switch SEE 77257	1
11	052443	Safety switch	1
12	075473	Distance bolt Robo-Str.	7
13	017772	Schnorr washer M3	8
14	075026	Adapter plate power pack Robo-Str.	1
15	074936	Power supply 24V Robo-Str.	1
16	017505	Contact element shut NO	6
17	017507	Contact element open NC	3
18	017503	Adapterattachment	6
19	047935	Nut PE M20x1,5	1
20	017555	Lens head screw M3x6	14
21		Cover below	1
22		Slotted pan-head bolt	2
23		Washer	2
24		Lens head bolt	2
25		Cylinder head bolt	2
26	076596	Control board Serie Robo-Stripper	1
27	038638	LED for signal lamp	1
28	053957	Illuminated pushbuttons X-Light Mobil	1
29	051948	Cable gland M20x1.5	2
30	074390	Control cable pedestal Robo-Str.	1
31	074062	Housing for grommet M20 Robo-Str.	1
32	074067	Pin insertion Robo-Str.	1
33	075529	Lens head screw 3x 8	2

## 13 Tool kit

---



## 13 Tool kit

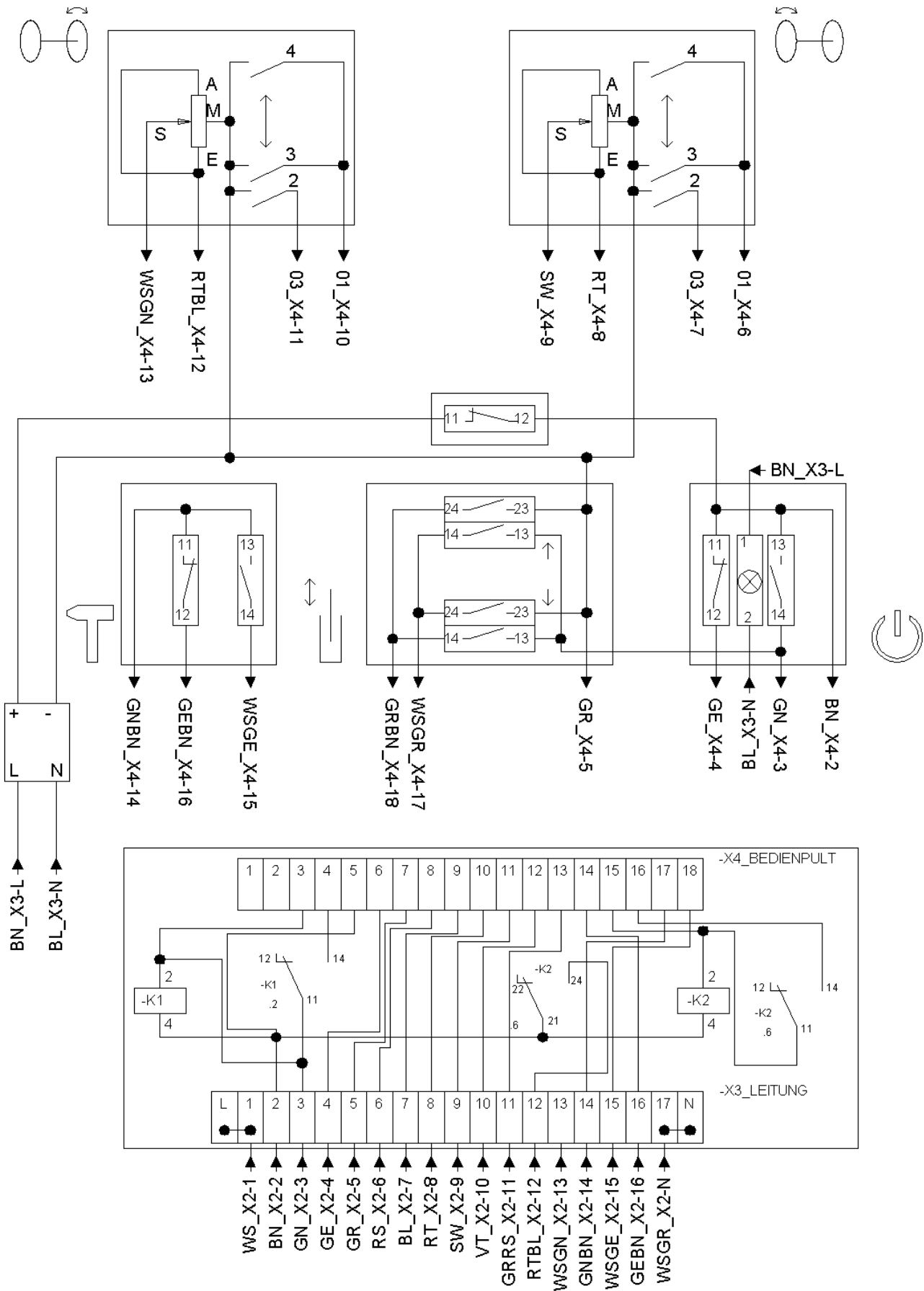
Item no.	Article no.	Description	Quantity
1	013979	Spare blades, 350 x 60 x 1,5 mm, 10 pcs.	1
2	038933	U-Blade 350mm bottom cutting edge	1
3	013983	U-Blade 350mm top cutting edge	1
4	017647	Blade protection 350mm	1
5	080274	Twist lock set cpl. Robo-Str.	1
6	019141	T-handle 6-kt SW 6	1
7	070900	Hexagonal screw key SW8 DIN 911L	1
8	074284	Ring end wrench SW24	1
9	074069	Key three star attacked Robo-Str.	1
10	054064	Tool bag green - Wolff	1
11	015809	Safety gloves 1 pair	1
12	015315	Hearing protectors	1

## 14 Accessory

---

Article no.	Description	Quantity
013978	Spare blades, 350 x 60 x 1,0 mm, 10 pcs.	1
013979	Spare blades, 350 x 60 x 1,5 mm, 10 pcs.	1
013980	Spare blades, 200 x 60 x 1,5 mm, 10 pcs.	1
013981	Spare blades, 150 x 60 x 1,5 mm, 10 pcs.	1
013982	Spare blade, 350 x 120 x 1,5 mm	1
013983	U-Blade 350mm top cutting edge	1
038933	U-Blade 350mm bottom cutting edge	1
039362	Special blade, heavy type, 350 mm	1

# 15 Circuit diagram Cockpit

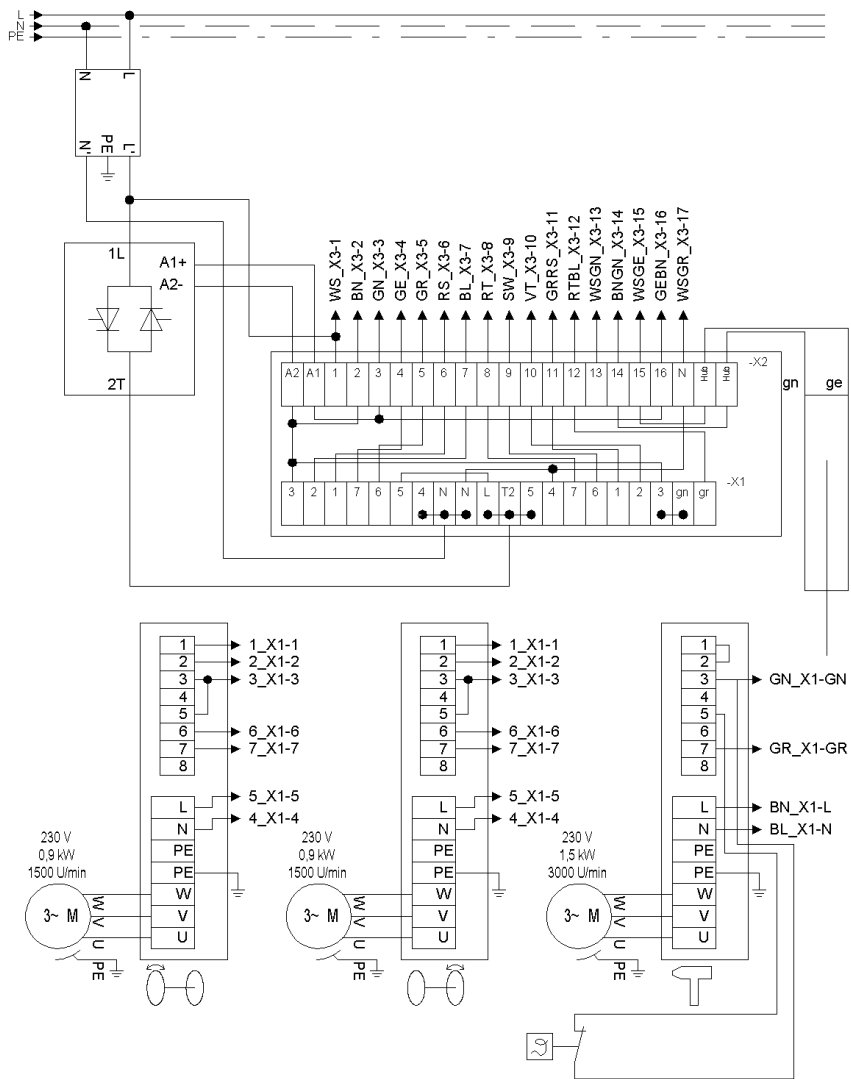




## 15 Circuit diagram Cockpit

---

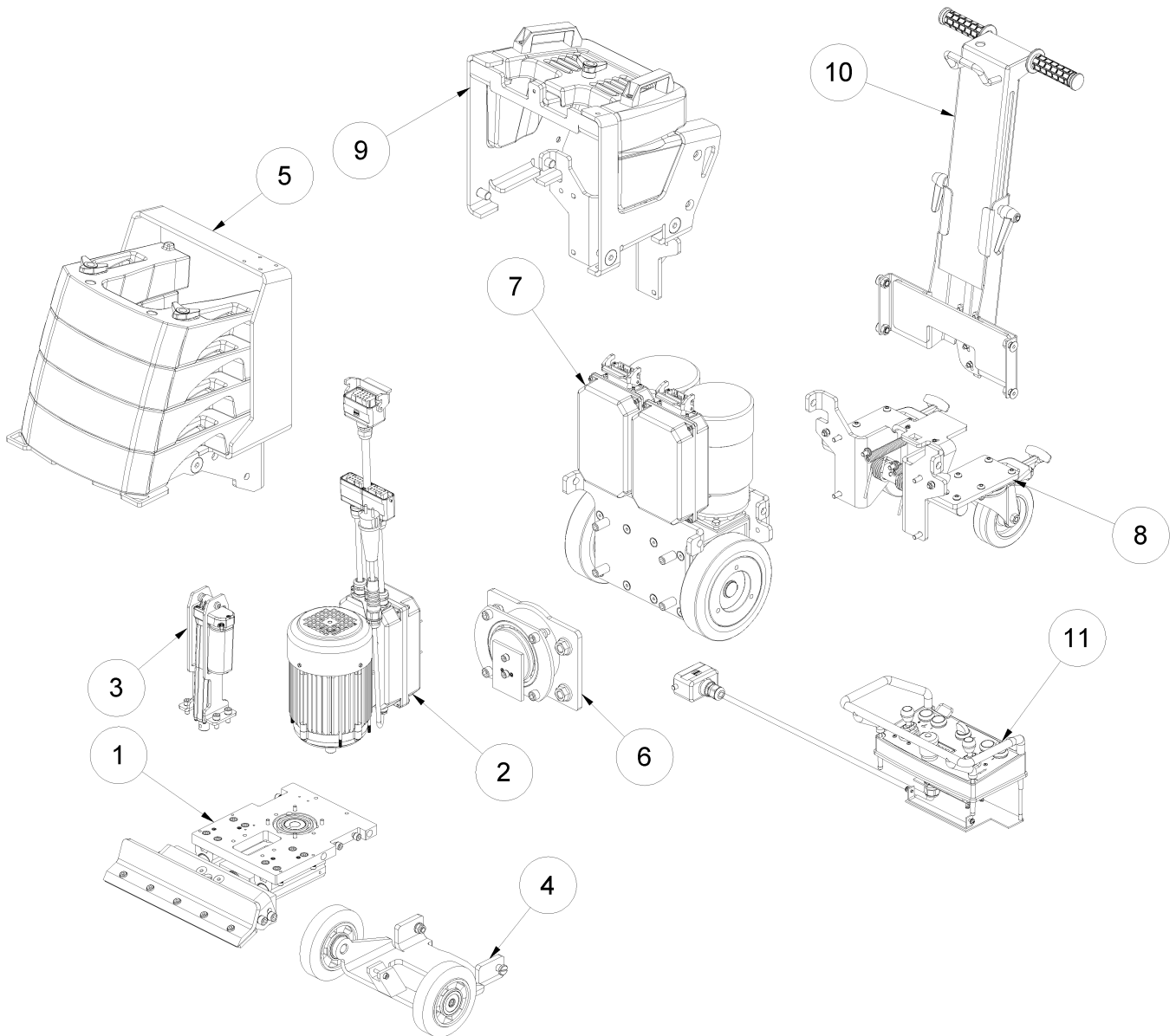
# 16 Circuit diagram Drive unit



## 16 Circuit diagram Drive unit

---

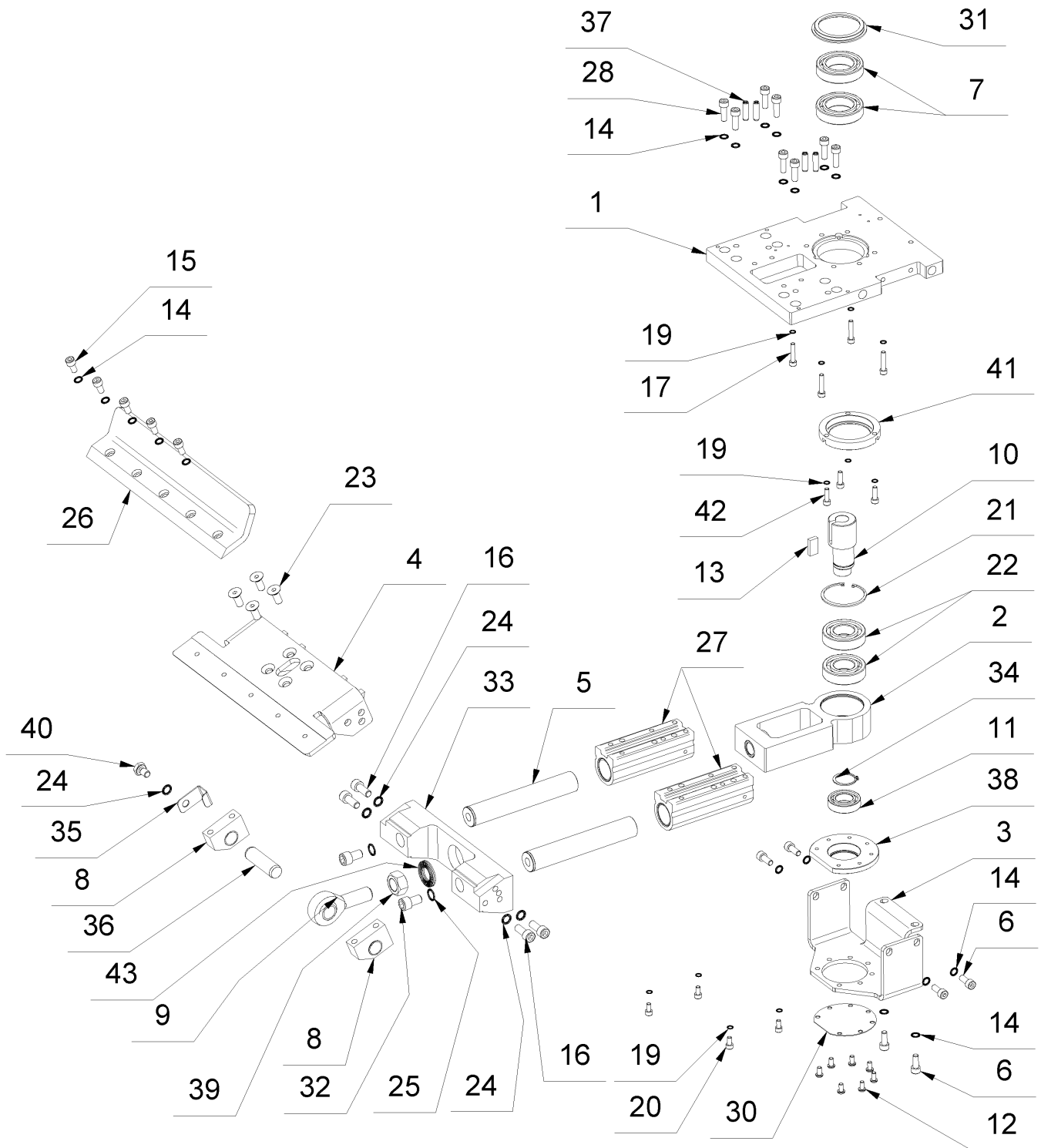
# Robo Stripper (035/2015-056/2017)



## Robo Stripper (035/2015-056/2017)

Item no.	Article no.	Description
1	03_01_073888	Impact
2	03_02_073888	Impact motor
3	01_03_073888	Actuator
4	01_04_073888	Front Carriage
5	01_05_073888	Front frame+weight
6	01_06_073888	Hinge
7	01_07_073888	Drive unit
8	01_08_073888	Rear Carriage
9	01_09_073888	Rear frame + weight
10	01_10_073888	Handle
11	02_11_076597	Cockpit 035/2015-044/2016
11	03_11_078815	Cockpit 045/2016-056/2017
13	01_13_073888	Tool kit
14	01_14_073888	Accessory
15	02_15_073888	Circuit diagram Cockpit
16	02_16_073888	Circuit diagram Drive unit

# 1 Impact



# 1 Impact

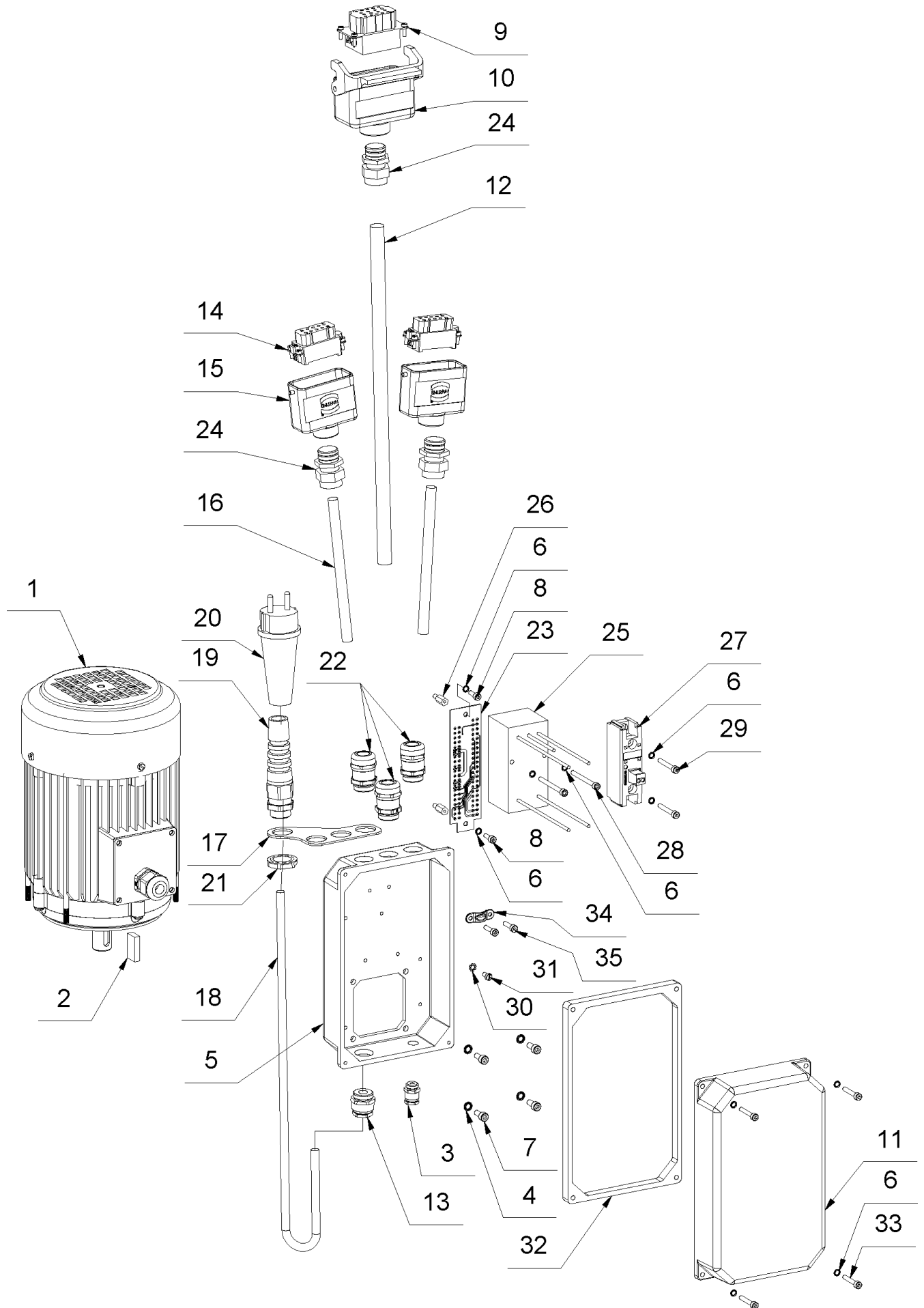
Item no.	Article no.	Description	Quantity
1	073868	Base support Robo-Stripper	1
2	073880	Connecting rod Robo-Stripper	1
3	074017	Storage console Robo-Stripper	1
4	074026	Striker Foot Casting 350 Robo S004	1
5	074099	Piston rods Robo-Str.	2
6	014734	Cylinder head screw M8x20 DIN 912	6
7	014706	Ball-bearing 6008 2RS1 C3	2
8	015417	Connecting rod bearing Turbo-/Su	2
9	074090	Joint head	1
10	073865	Eccentric shaft Robo-Stripper	1
11	014704	Ball-bearing 6005 2RSH	1
12	017553	Lens head screw M6x12	7
13	074112	Feather replacement Robo	1
14	014860	Schnorr Washer M8	19
15	017651	Cylinder head screw M8x16 DIN 912	5
16	049654	Cylinder head screw M10x25 DIN 912	4
17	017678	Cylinder head screw M6x30 DIN 912	4
19	014859	Schnorr washer M6	11
20	014726	Cylinder head screw M6x12 DIN 912	4
21	014856	Safety washer I62 DIN 472	1
22	014710	Ball bearing 6206 2RS1 C3	2
23	014763	Countersunk screw M10x25 DIN 7991 10.9	4
24	014861	Washer M10	5
25	014862	Washer M12	2
26	073985	Deflector 350 Robo-Stripper	1
27	074242	Guide sleevesquare compl.Robo SEE 169030	2
28	014735	Cylinder head screw M8x25 DIN 912	8
29	074020	Cover Robo-Stripper	1
30	074072	Sheet metal shielding Robo-Stripper	1
31	074216	Shim ring 63x80x1.5 DIN 988	1
32	017614	Cylinder head screw M12x20 DIN 912	2
33	074071	U-Bracket StrikerFootCastingRobo-Str.	1
34	014853	Safety washer A30 DIN 471	1
35	074225	Sheet to hedge Robo-Str.	1

## 1 Impact

Item no.	Article no.	Description	Quantity
36	074051	Cylindrical pin 20x70 DIN 7979	1
37	016873	Cylindrical pin 8x30 DIN 7979	4
38	073871	Drive hub plate Robo-Stripper	1
39	082493	Hexagon nut M 20x1,5 DIN 934	1
40	018168	Hexagon head screw M10x 16 DIN 933	1
41	074938	Storage disk Robo-Str	1
42	014730	Cylinder head screw M 6x20 DIN 912	3
43	079835	Safety washer M20 LL	1



## 2 Impact motor



## 2 Impact motor

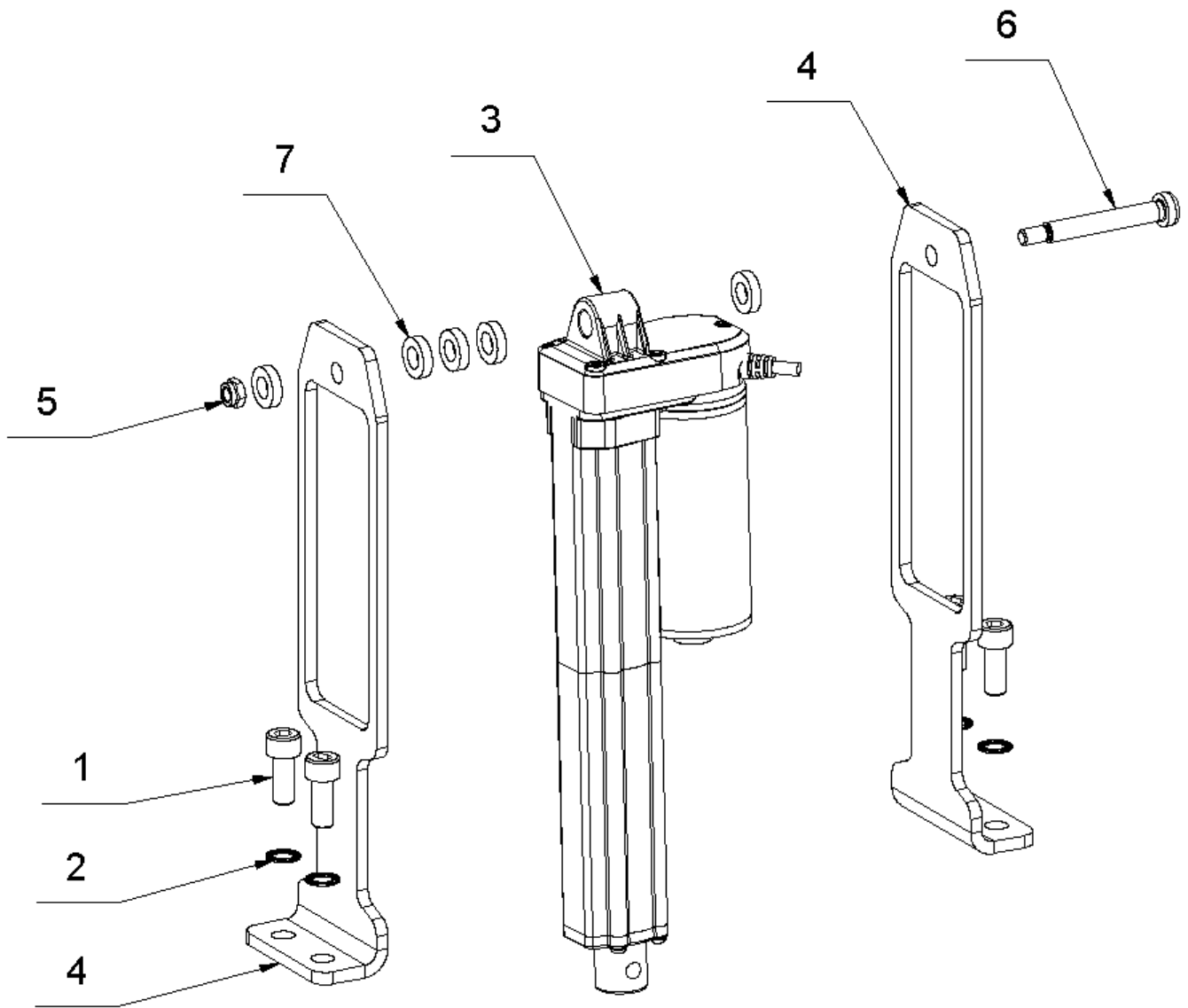
Item no.	Article no.	Description	Quantity
1	075061	Motor 3-ph Impact system Robo-Stripper	1
2	074112	Feather replacement Robo	1
3	074065	Cable connection M12x1,5	1
4	014858	Schnorr washer M5	4
5	074001	Cover Control unit Robo-Stripper	1
6	016961	Snorr washer M4	4
7	017561	Cylinder head screw M5x12 DIN 912	4
8	018284	Cylinder head screw M4x12 DIN 912	4
9	074066	Bushing insert Robo-Str.	1
10	074063	Clutch housing M20 Robo-Str.	1
11	076872	Frequency converters Impact syst.Robo	1
12	074388	Control line Control unit Robo-Str.	1
13	074064	Cable connection SKINDICHT M20x1,5	6
14	060034	Bush insert 10A/10 polig	2
15	060033	Housing 10A	2
16	074391	Control line frequency inverter Robo-Str	2
17	074084	Supporting plate Power cord Robo-Str.	1
18	074394	El.cord 3G2,5 <sup>2</sup> x without plug Robo-Str.	1
19	039190	Screw connection w.bending prot.M20x1,5	2
20	039203	Plug grey	1
21	047935	Nut PE M20x1,5	1
22	076883	Bolt joint SKINTOP M20x1,5 EMV	3
23	076956	Distributor board Serie Robo-Str.	1
24	051948	Cable gland M20x1.5	3
25	076832	Condenser to screen Robo-Str.	1
26	076899	Distance bolt M4x12 Robo-Str.	2
27	077574	Semiconductor relays Robo-Str.	1
28	017684	Cylinder head screw M4x45 DIN 912	2
29	018281	Cylinder head screw M4x30 DIN 912	2
30	017663	Tooth lock washer 4.3 Form A DIN 6797	1
31	017473	Cylinder head screw M4x8 DIN 84 brass	1
32	079644	Intermediate frame RoboStr	1
33	018282	Cylinder head screw M 4x25 DIN 912	4
34	015211	Cable clamp Motor Duro 2.0	1

## 2 Impact motor

---

Item no.	Article no.	Description	Quantity
35	017743	Cylinder head screw M4x16 DIN 912	2
o.Abb	076765	Cable set Frequency inverter Robo-Str.	1

### 3 Actuator

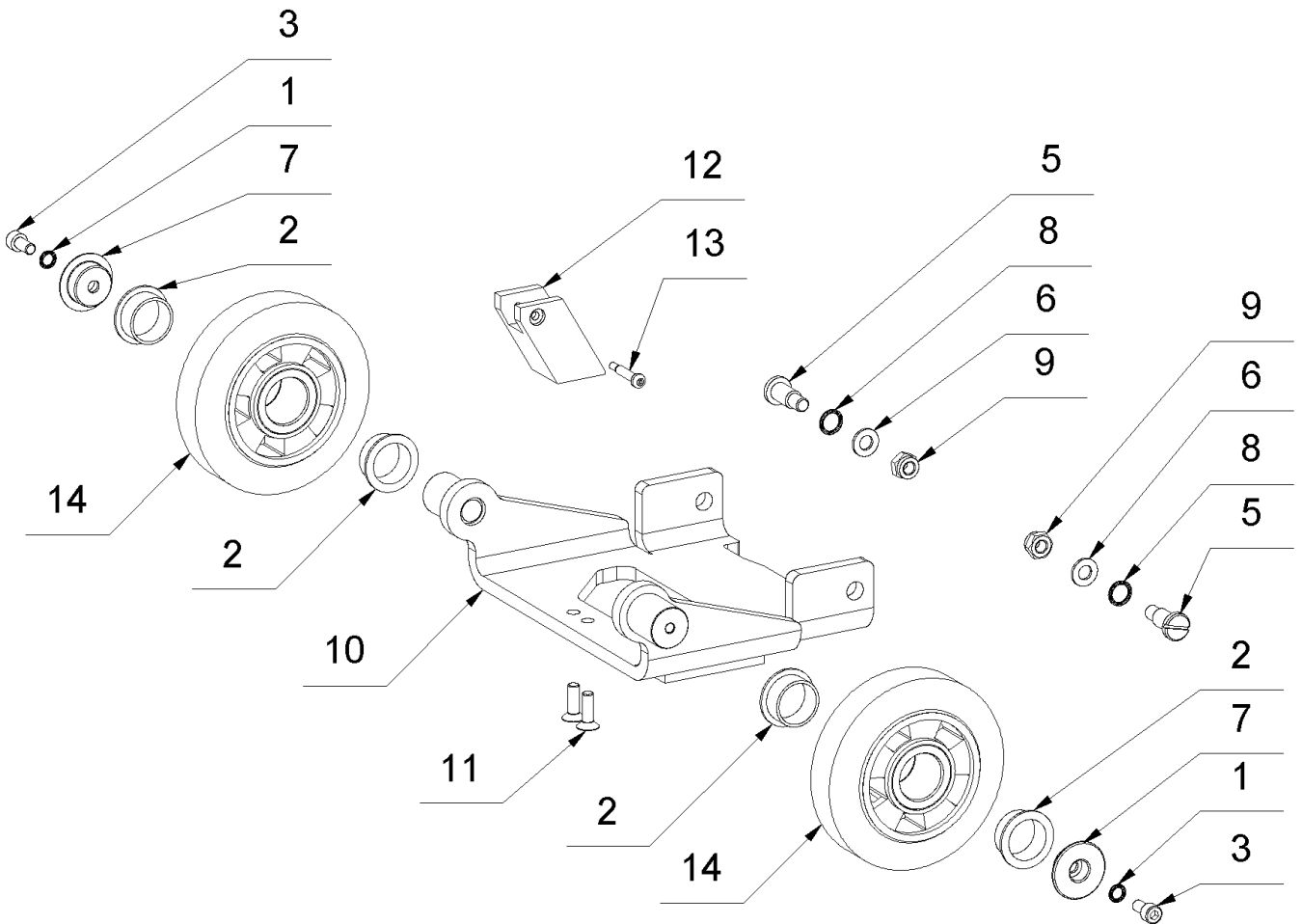


### 3 Actuator

---

Item no.	Article no.	Description	Quantity
1	014734	Cylinder head screw M8x20 DIN 912	4
2	014860	Schnorr Washer M8	4
3	074088	Electric cylinders Robo-Str.	1
4	074021	Holder stroke cylinders Robo-Stripper	2
5	014815	Hexagon nut M6 DIN985	1
6	073944	Fitting bolt M6xØ8x50 ISO 7379	1
7	074217	Distance ring 8,5x16x4 black	5

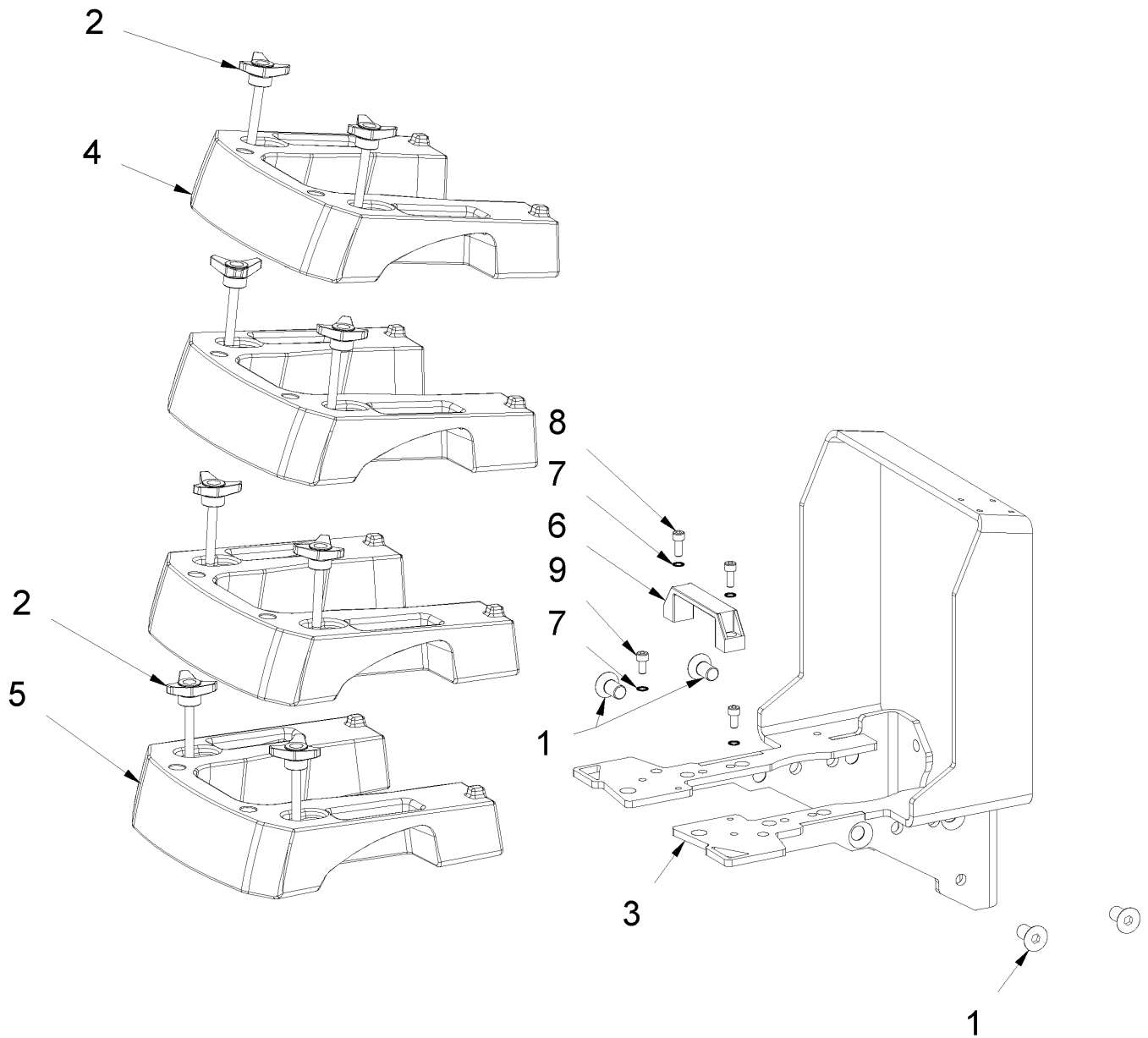
## 4 Front Carriage



## 4 Front Carriage

Item no.	Article no.	Description	Quantity
1	014860	Schnorr Washer M8	2
2	074085	Bushing GFM 3034-16	4
3	017651	Cylinder head screw M8x16 DIN 912	2
5	073947	Flat head screw M10x20 DIN 923	2
6	014829	Washer M10 DIN 125 A	2
7	073876	Washer Transport wheel Robo-Stripper	2
8	014862	Washer M12	2
9	014817	Hexagon nut M10 DIN 985	2
10	074027	SG Carriage up front Robo-Stripper	1
11	014761	Countersunk screw M8x25 DIN 7991 10.9	2
12	083807	Holder Cylinder rod SEE 083808	1
13	073945	Screw M 6x25 ISO 7379 SEE 083806	1
14	073996	Transport Wheel cpl. Robo-Stripper	2

## 5 Front frame+weight

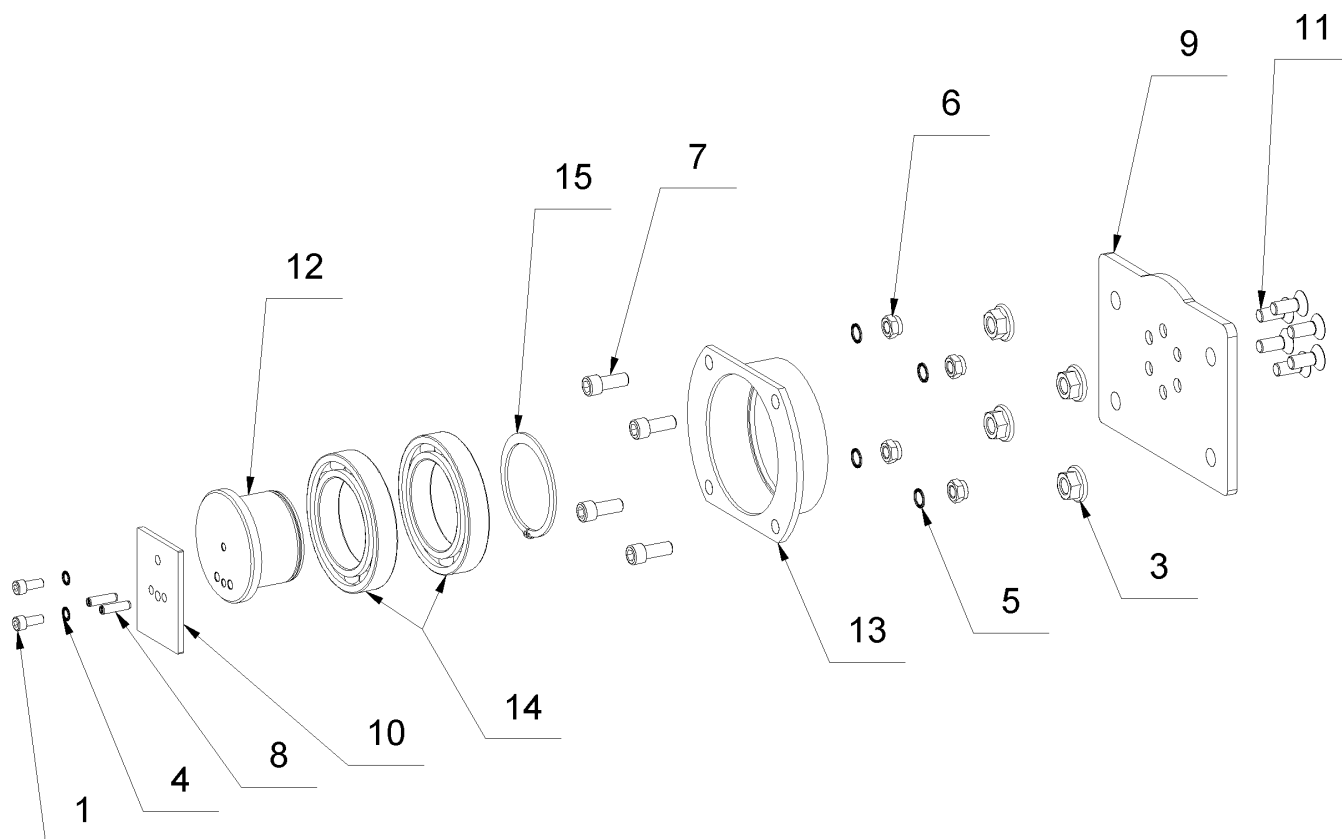




## 5 Front frame+weight

Item no.	Article no.	Description	Quantity
1	073954	Countersunk screw M16x30 DIN 7991 10.9	4
2	074111	Three star screw M10x100 cpl.	8
3	074035	Chassis Impact system Robo-Str.	1
4	074030	Additional weight in front grey RoboStr.	3
5	074029	Additional weight in front RoboStr.green	1
6	014915	Handle/Grip GN528 117mm	1
7	014860	Schnorr Washer M8	4
8	014734	Cylinder head screw M8x20 DIN 912	2
9	017651	Cylinder head screw M8x16 DIN 912	2

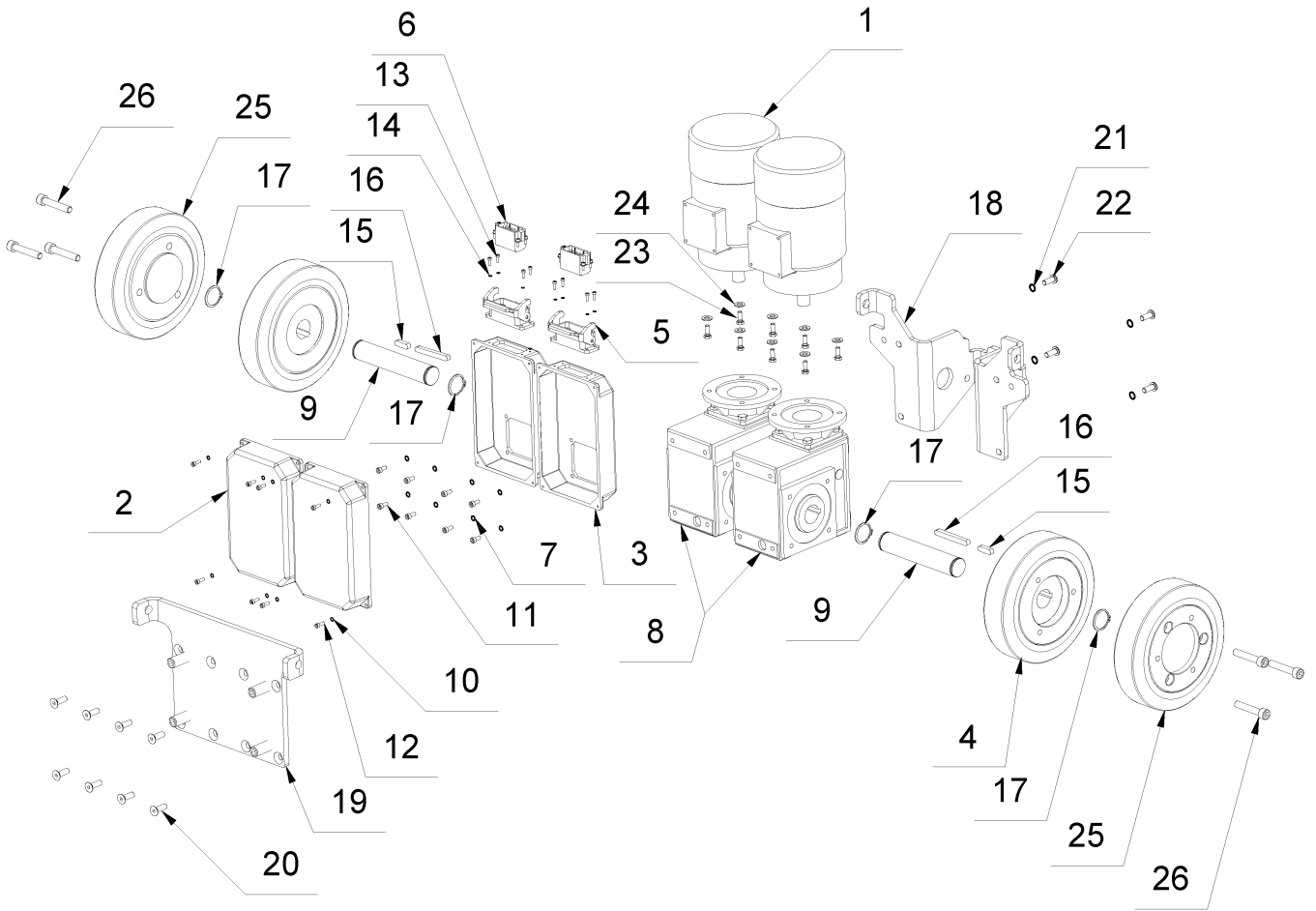
# 6 Hinge



## 6 Hinge

Item no.	Article no.	Description	Quantity
1	014734	Cylinder head screw M8x20 DIN 912	2
3	073952	Locknut M16 DIN 6923	4
4	014860	Schnorr Washer M8	2
5	014862	Washer M12	4
6	018770	El.stop-nut M12 DIN 985	4
7	014744	Cylinder head screw M12x30 DIN 912	4
8	016873	Cylindrical pin 8x30 DIN 7979	2
9	074033	Separating plate Robo-Stripper	1
10	073867	Stop swivel Robo-Stripper	1
11	018333	Countersunk screw M12x30 DIN 7991blank	6
12	073869	Gear shaft Robo-Stripper	1
13	073870	Socket swivel joint Robo-Stripper	1
14	073793	Ball bearing 6017 2RS1	2
15	076749	Safety washer A85 DIN 471	1

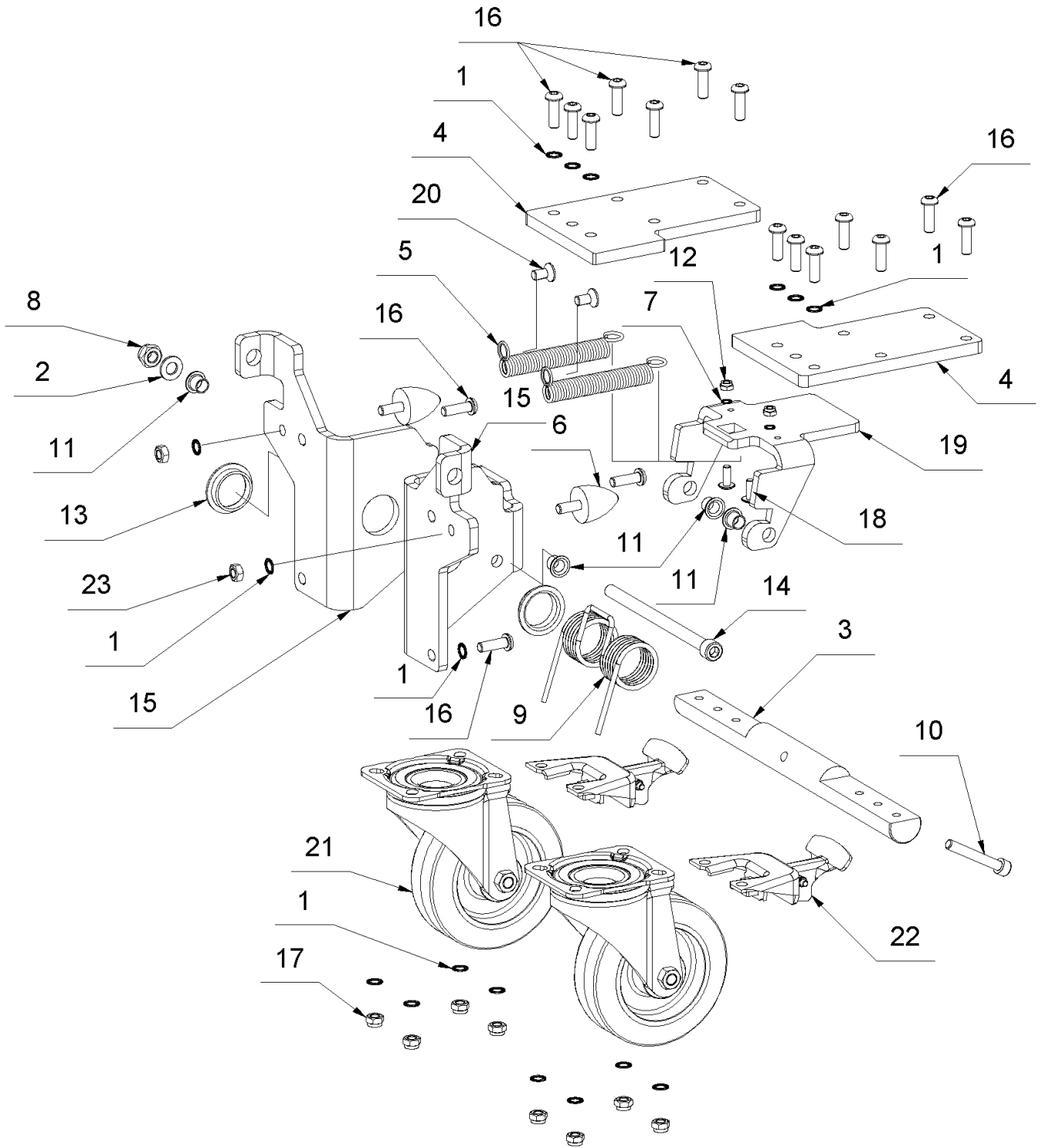
# 7 Drive unit



## 7 Drive unit

Item no.	Article no.	Description	Quantity
1	073859	Motor drive unit Robo-Stripper	2
2	073882	Frequency inverter Robo-Stripper	2
3	073883	Cover Robo-Stripper	2
4	073990	Driving wheel inside cpl. Robo-Stripper	2
5	060032	Housing 10A	2
6	060035	Pin employment 10A/10 polig	2
7	014858	Schnorr washer M5	8
8	073858	Gear Robo-Stripper	2
9	073866	Axle Drive shaft Robo-Stripper	2
10	016961	Snorr washer M4	8
11	017561	Cylinder head screw M5x12 DIN 912	8
12	018284	Cylinder head screw M4x12 DIN 912	8
13	014715	Cylinder head screw M3x10 DIN 912	8
14	017772	Schnorr washer M3	8
15	073948	Nut key 8x7x30 DIN 6885	2
16	073949	Feather key 8x7x70 DIN 6885	2
17	014853	Safety washer A30 DIN 471	4
18	073887	Gear plate behind Robo-Stripper	1
19	073886	Gear plate vorne Robo-Stripper	1
20	014761	Countersunk screw M8x25 DIN 7991 10.9	8
21	014860	Schnorr Washer M8	4
22	047385	Lens head screw M8x20	4
23	014770	Hexagonal screw M 6x16 DIN 933	8
24	014828	Washer M8 DIN 125 A	8
25	077758	Driving wheel outside Robo-Stripper	2
26	077757	Cylinder head screw M10x55 DIN 912	6

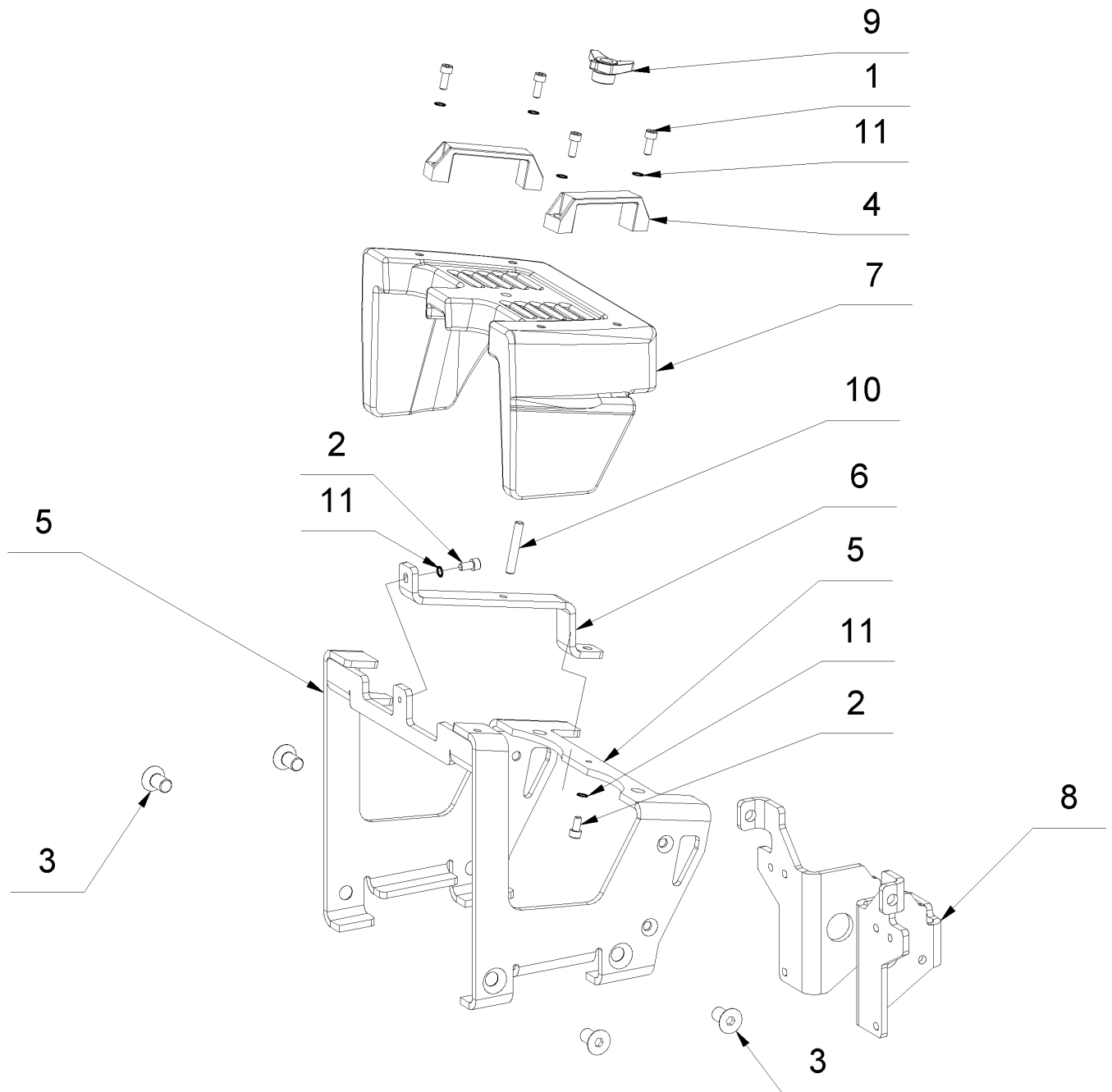
# 8 Rear Carriage



## 8 Rear Carriage

Item no.	Article no.	Description	Quantity
1	014860	Schnorr Washer M8	20
2	014829	Washer M10 DIN 125 A	1
3	073879	Axle chassis Transport wheel Robo-Str.	1
4	074016	Plate Caster Robo-Stripper	2
5	068202	Tension spring D 2,5	2
6	074091	Rubber stop parabel. Ø30-M8x20	2
7	014859	Schnorr washer M6	2
8	014817	Hexagon nut M10 DIN 985	1
9	074087	Double leg spring DSF 610	1
10	016993	Cylinder head screw M8x55 DIN 912	1
11	018682	Bushing BB 1012	4
12	014815	Hexagon nut M6 DIN985	2
13	074086	Bushing GFM 3034-09	2
14	015134	Handle with Steel Shaft M14 Turbo/Super	1
15	073887	Gear plate behind Robo-Stripper	1
16	036272	Lens head screw M 8x25	18
17	014816	Hexagon nut M8 DIN 985	8
18	017552	Lens head screw M 6x16 ISO 7380	2
19	074025	Pedal Robo-Stripper	1
20	014764	Countersunk screw M8x16 DIN7991 micro	2
21	074095	Steer roll Robo-Str.	2
22	074096	Direction locking brake Robo-Str.	2
23	014810	Hexagon nut M 8 DIN 934 I6I/I8I	2

## 9 Rear frame + weight

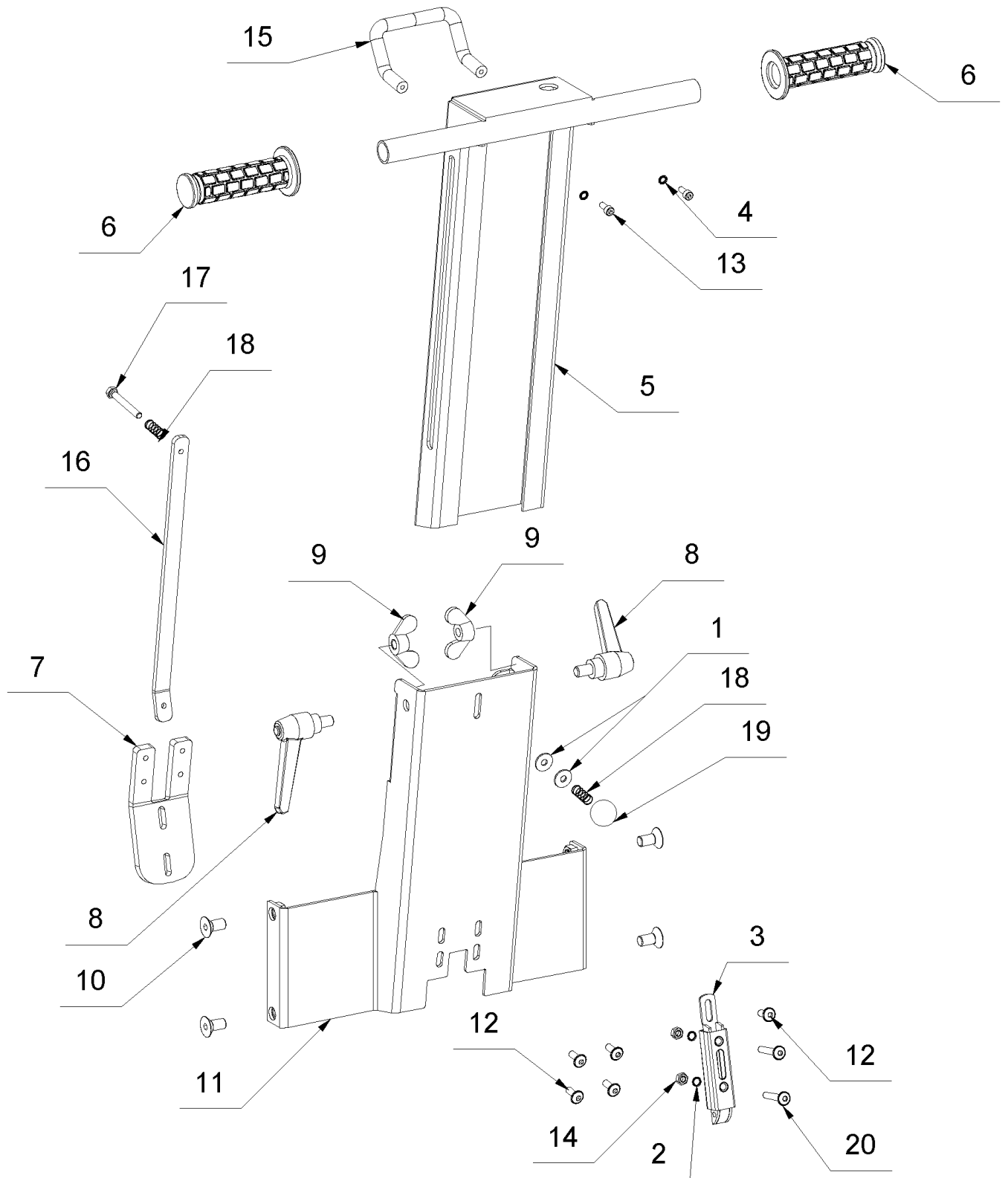




## 9 Rear frame + weight

Item no.	Article no.	Description	Quantity
1	014734	Cylinder head screw M8x20 DIN 912	4
2	017651	Cylinder head screw M8x16 DIN 912	2
3	073954	Countersunk screw M16x30 DIN 7991 10.9	4
4	014915	Handle/Grip GN528 117mm	2
5	074034	SG Chassis drive Robo-Stripper	1
6	074019	Shackle Additional weight behind RoboStr	1
7	074028	Additional weight behind Robo-Stripper	1
8	073887	Gear plate behind Robo-Stripper	1
9	037940	Three-star grip nut D63 x M10	1
10	053041	Stud bolt M10x45 DIN 835	1
11	014860	Schnorr Washer M8	6

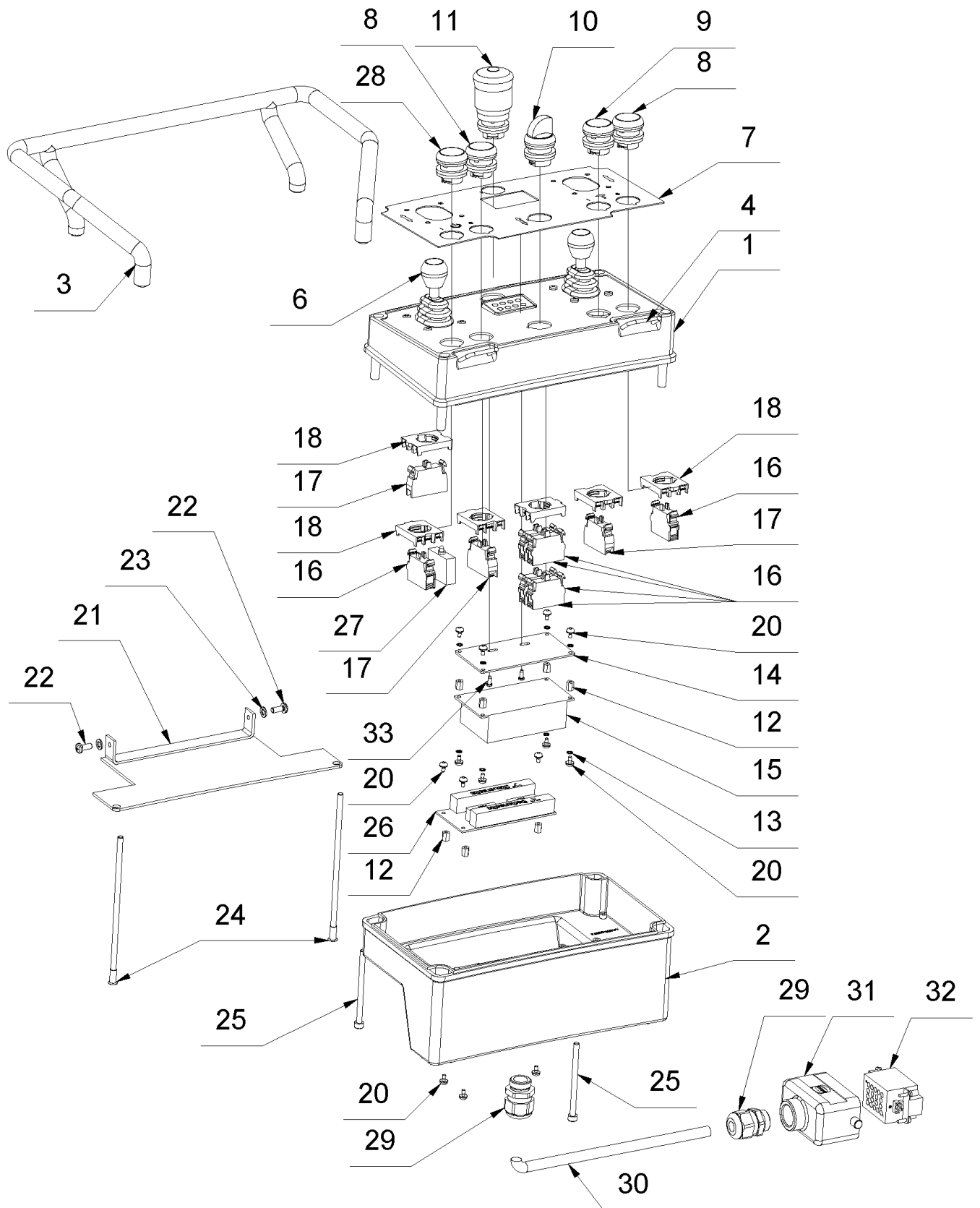
# 10 Handle



## 10 Handle

Item no.	Article no.	Description	Quantity
1	017724	Washer DIN 9021 6,4x18x1,6	2
2	014859	Schnorr washer M6	2
3	074089	Spring latch	1
4	014858	Schnorr washer M5	2
5	074031	SG-Handle upper part Robo-Stripper	1
6	073574	Grip covering Ø22mm	2
7	074018	Holder spring latch Robo-Stripper	1
8	038567	Clamping lever GN300-92-M10-16-SW	2
9	073705	Wing nut M10 DIN 315	2
10	014762	Countersunk screw M10x20 DIN7991 10.9	4
11	074032	SG-Handle lower part Robo-Stripper	1
12	017552	Lens head screw M 6x16 ISO 7380	5
13	017561	Cylinder head screw M5x12 DIN 912	2
14	014809	Hexagon nut M6 DIN 934	2
15	074094	Machine handle angled	2
16	074129	Pull rod Robo-Str.	1
17	018731	Hexagonal screw M 6x 50 DIN 933	1
18	014894	Pressure spring VD-090E / 9x23,90x0,55	2
19	017543	Ball Handle 25mm M6 black	1
20	073946	Lens screw M 6x35 ISO7380 ähnl.	2

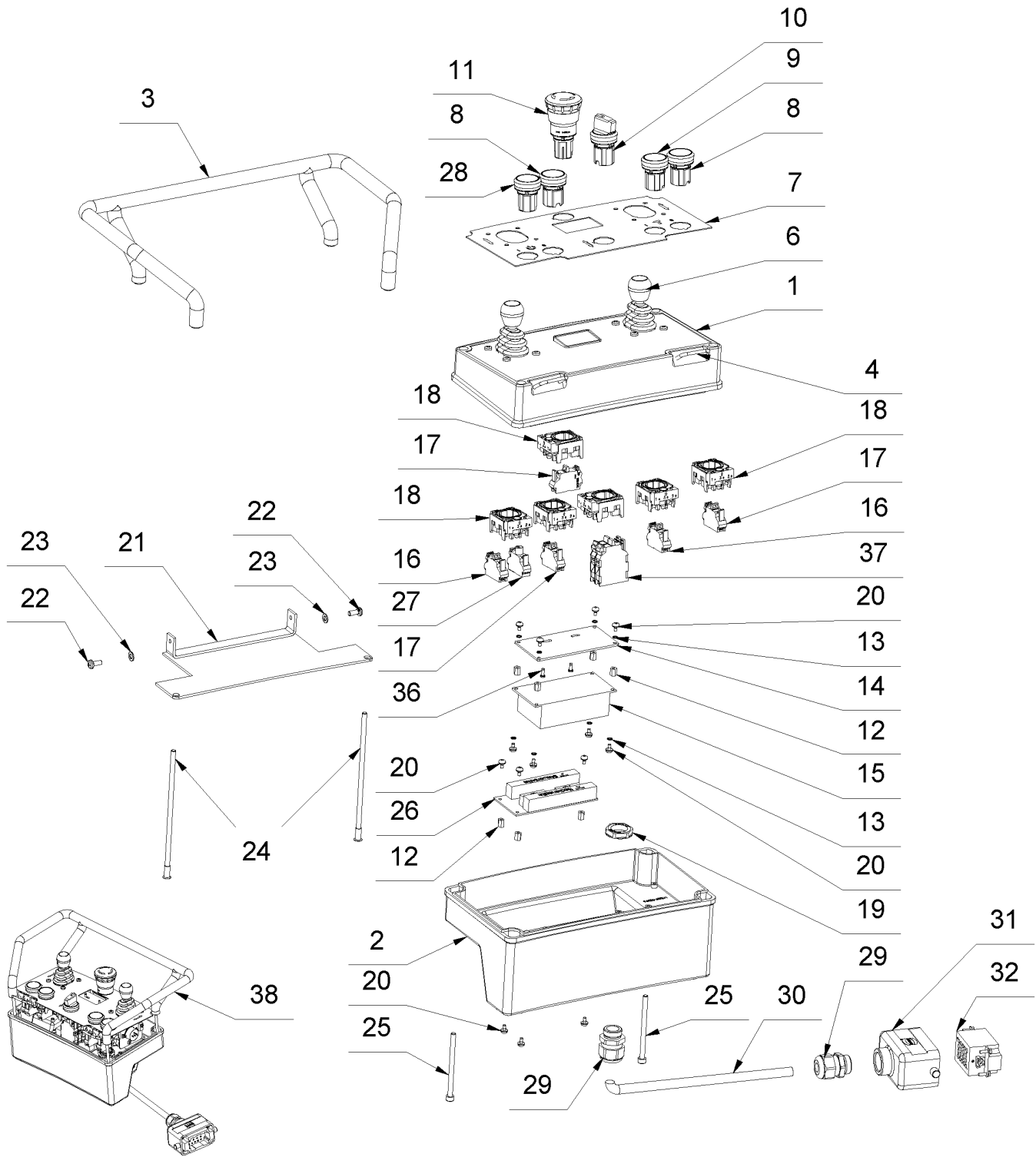
# 11 Cockpit 035/2015-044/2016



## 11 Cockpit 035/2015-044/2016

Item no.	Article no.	Description	Quantity
1		Cover	1
2		Base	1
3		Reeling	1
4		Fatening	2
6	076989	Spur gear Robo-Str.	2
7	076988	Front cover Robo-Str.	1
8	074268	Push button flat red	2
9	074267	Push button flat green	1
10	074269	Selector switch SEE 77257	1
11	052443	Safety switch	1
12	075473	Distance bolt Robo-Str.	7
13	017772	Schnorr washer M3	8
14	075026	Adapter plate power pack Robo-Str.	1
15	074936	Power supply 24V Robo-Str.	1
16	017505	Contact element shut NO	6
17	017507	Contact element open NC	3
18	017503	Adapterattachment	6
19	047935	Nut PE M20x1,5	1
20	017555	Lens head screw M3x6	14
21		Cover below	1
22		Slotted pan-head bolt	2
23		Washer	2
24		Lens head bolt	2
25		Cylinder head bolt	2
26	076596	Control board Serie Robo-Stripper	1
27	038638	LED for signal lamp	1
28	053957	Illuminated pushbuttons X-Light Mobil	1
29	051948	Cable gland M20x1.5	2
30	074390	Control cable pedestal Robo-Str.	1
31	074062	Housing for grommet M20 Robo-Str.	1
32	074067	Pin insertion Robo-Str.	1
33	075529	Lens head screw 3x 8	2

# 11 Cockpit 045/2016-056/2017

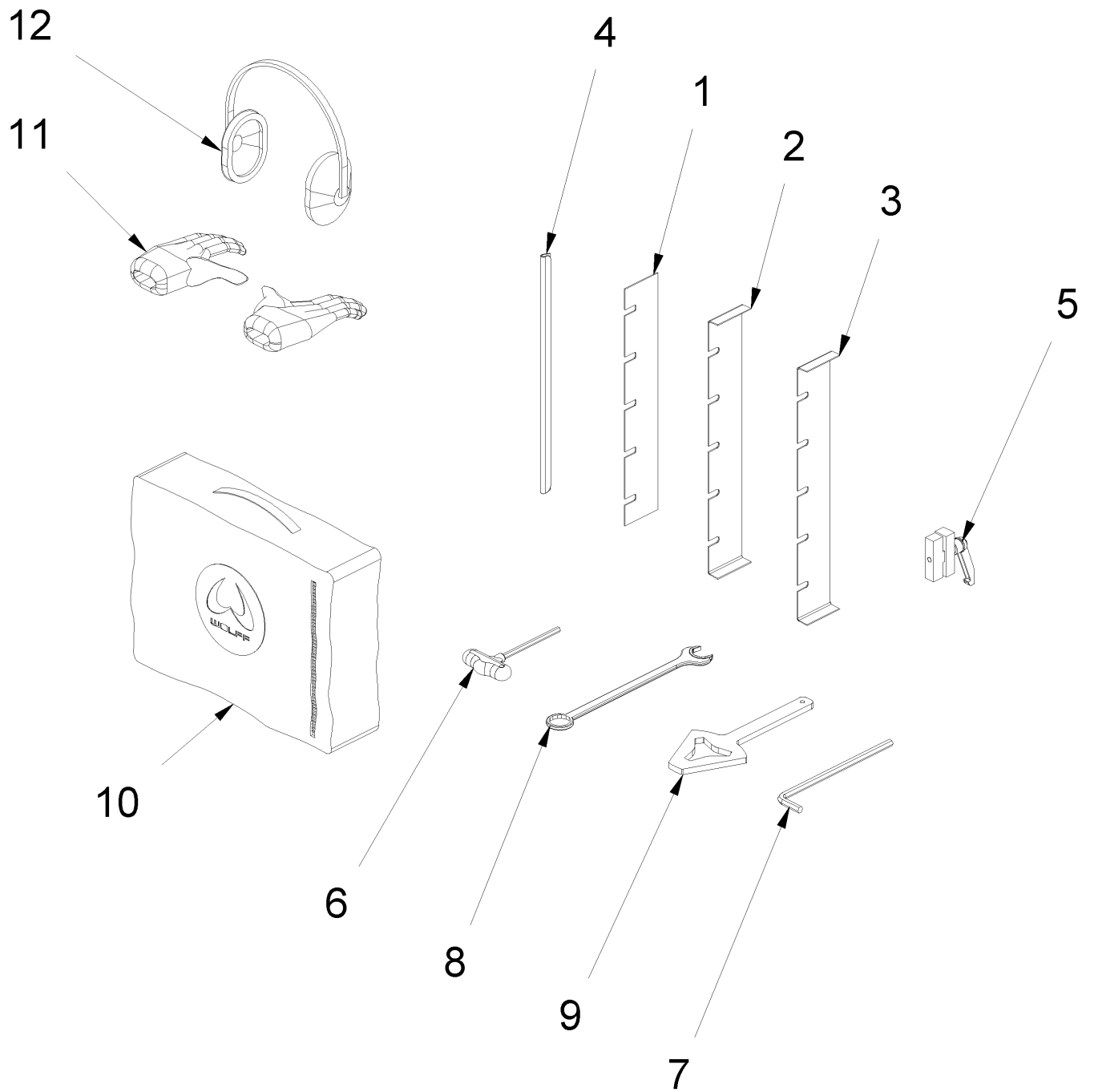


## 11 Cockpit 045/2016-056/2017

Item no.	Article no.	Description	Quantity
1		Cover	1
2		Lower part	1
3		Reeling	1
4		Belt attachment	2
6		Spur gear	2
7	076988	Front cover Robo-Str.	1
8	085934	Pushbutton 22mm round red	2
9	085935	Pushbutton 22mm round green	1
10	085940	Toggle switch 22mm round	1
11	085938	Emergency Pushbutton 22mm round red	1
12	075473	Distance bolt Robo-Str.	7
13	017772	Schnorr washer M3	8
14	075026	Adapter plate power pack Robo-Str.	1
15	074936	Power supply 24V Robo-Str.	1
16	085930	Contact element 1S	2
17	085929	Contact element 1Ö	3
18	085928	Holder contact element	6
19	047935	Nut PE M20x1,5	1
20	017555	Lens head screw M3x6	14
21		Cover plate at the bottom	1
22		Slotted pan-head bolt	2
23		Washer	2
24		Lens head bolt	2
25		Cylinder head screw	2
26	076596	Control board Serie Robo-Stripper	1
27	085932	LED module green	1
28	085936	Pushbutton lighted 22mm round green	1
29	051948	Cable gland M20x1.5	2
30	074390	Control cable pedestal Robo-Str.	1
31	074062	Housing for grommet M20 Robo-Str.	1
32	074067	Pin insertion Robo-Str.	1
36	075529	Lens head screw 3x 8	2
37	085933	Contact element 2S	2
38	078815	Operating panel Serie foreign cpl.RoboSt	1

## 13 Tool kit

---





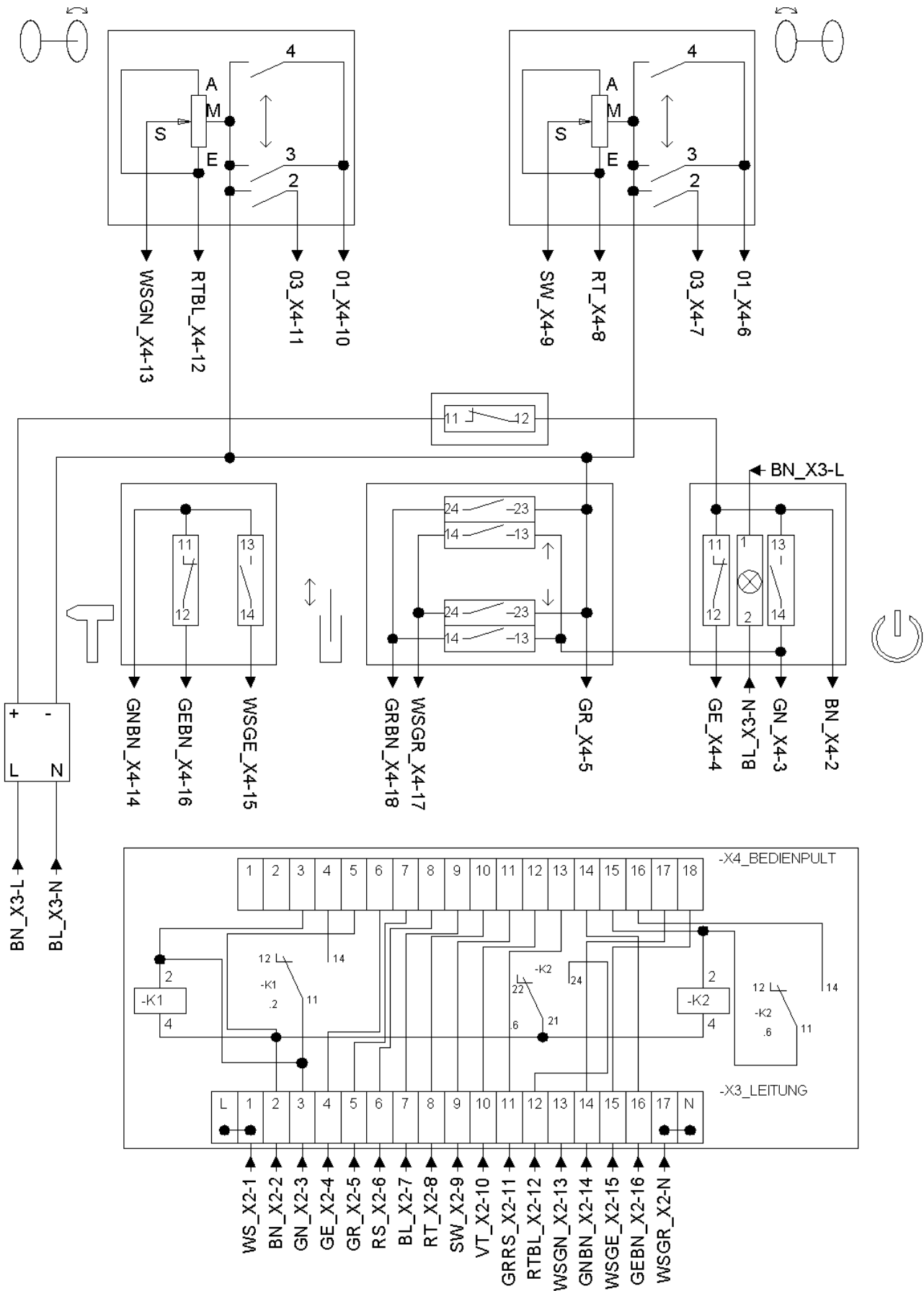
## 13 Tool kit

Item no.	Article no.	Description	Quantity
1	013979	Spare blades, 350 x 60 x 1,5 mm, 10 pcs.	1
2	038933	U-Blade 350mm bottom cutting edge	1
3	013983	U-Blade 350mm top cutting edge	1
4	017647	Blade protection 350mm	1
5	080274	Twist lock set cpl. Robo-Str.	1
6	019141	T-handle 6-kt SW 6	1
7	070900	Hexagonal screw key SW8 DIN 911L	1
8	074284	Ring end wrench SW24	1
9	074069	Key three star attacked Robo-Str.	1
10	054064	Tool bag green - Wolff	1
11	015809	Safety gloves 1 pair	1
12	015315	Hearing protectors	1

## 14 Accessory

Article no.	Description	Quantity
013978	Spare blades, 350 x 60 x 1,0 mm, 10 pcs.	1
013979	Spare blades, 350 x 60 x 1,5 mm, 10 pcs.	1
013980	Spare blades, 200 x 60 x 1,5 mm, 10 pcs.	1
013981	Spare blades, 150 x 60 x 1,5 mm, 10 pcs.	1
013982	Spare blade, 350 x 120 x 1,5 mm	1
013983	U-Blade 350mm top cutting edge	1
038933	U-Blade 350mm bottom cutting edge	1
039362	Special blade, heavy type, 350 mm	1
036690	Extension cord 3G1,5x10 black Schuko	1
074215	Conv.kit Twin wheels cpl. Robo (1 pair)	1
082333	Deflector and striker 450mm	1
075006	Spare blades, 450x120x1,5mm 5Stk/VE	1
075007	Spare blades, 450x60x1,5mm	1
075010	U-Blade 450 cut is above Robo VE/2St	1
075011	U-Blade 450 Cut down Robo VE/2St	1
080359	Parquet knife 350x150x3 cpl.	1
080358	Parquet knife 350x150x3toothed w.def cpl	1
079634	Parquet knife 350x150x3	1
079635	Parquet blade 350x150x3 toothed	1

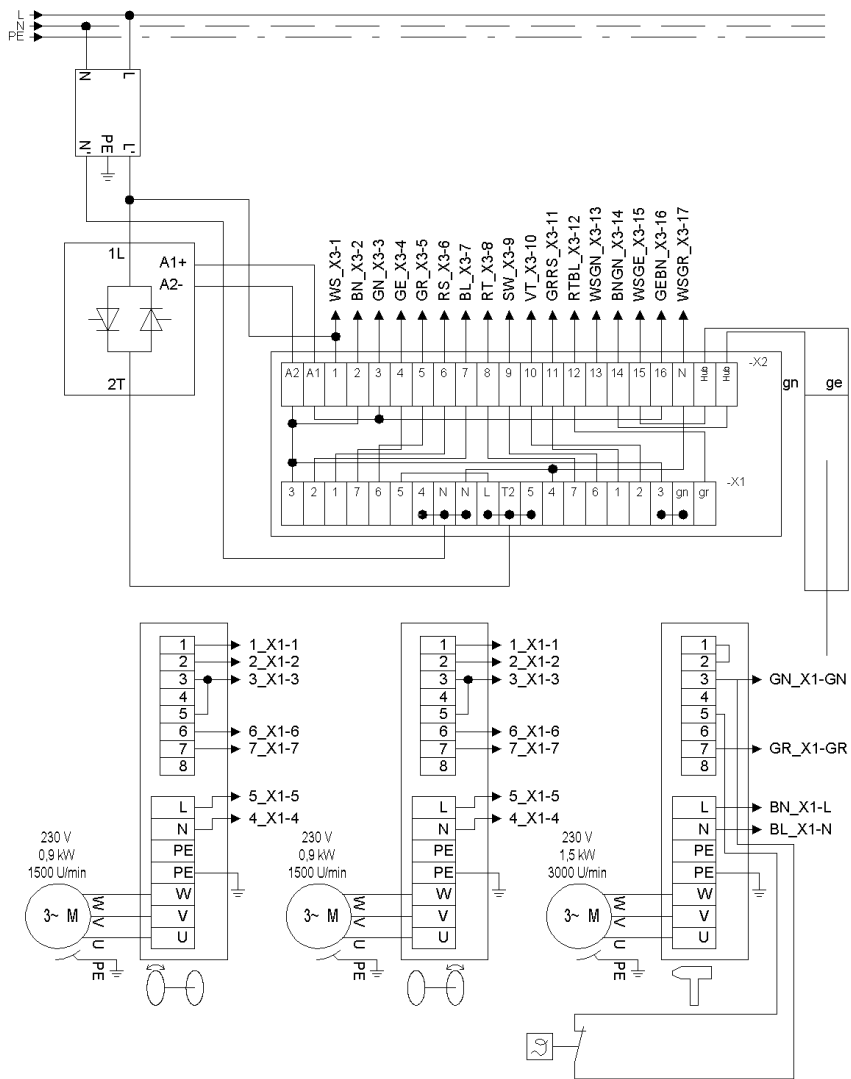
# 15 Circuit diagram Cockpit



## 15 Circuit diagram Cockpit

---

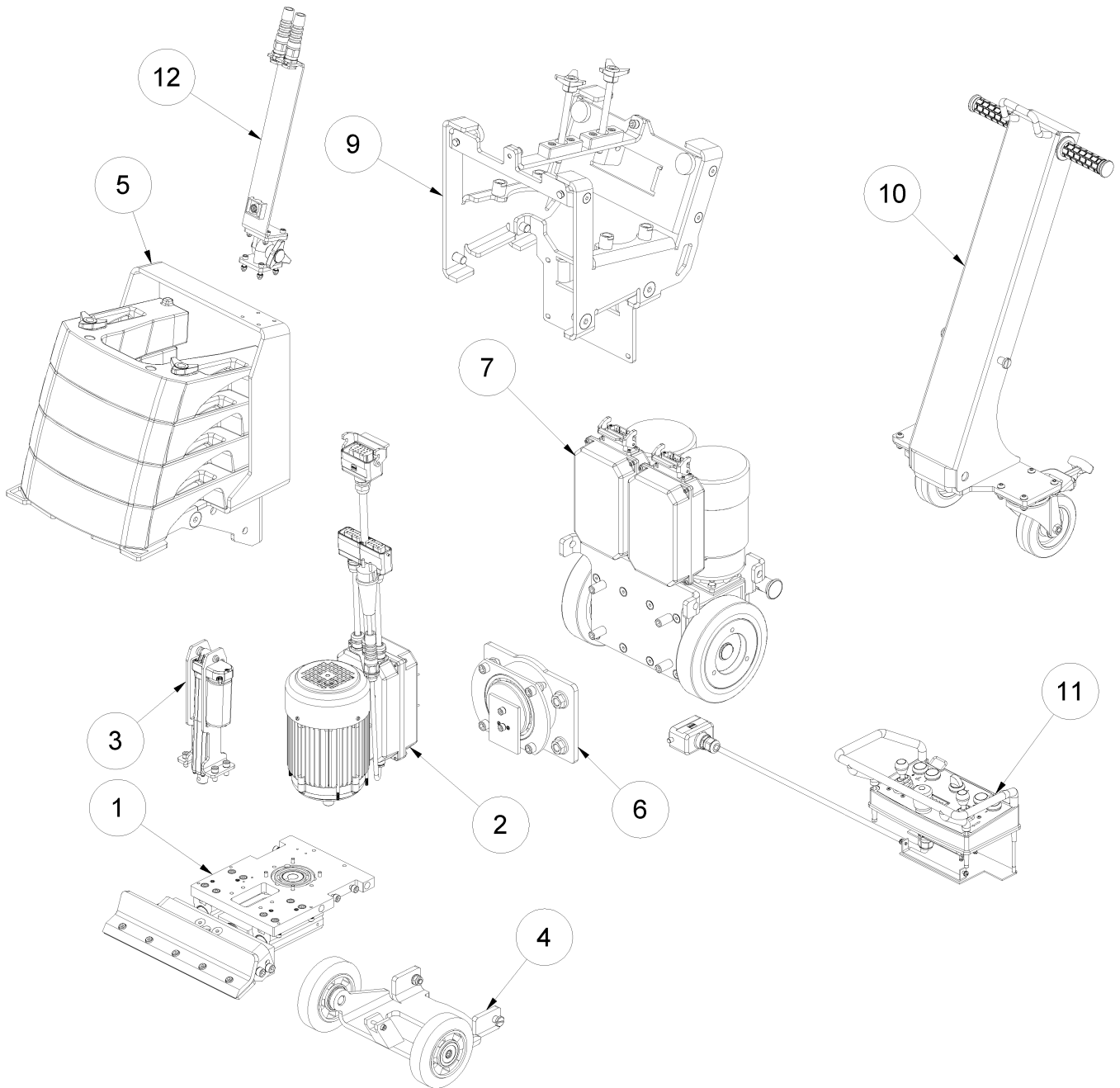
# 16 Circuit diagram Drive unit



## 16 Circuit diagram Drive unit

---

# Robo Stripper (0057/2017-0110/2019)



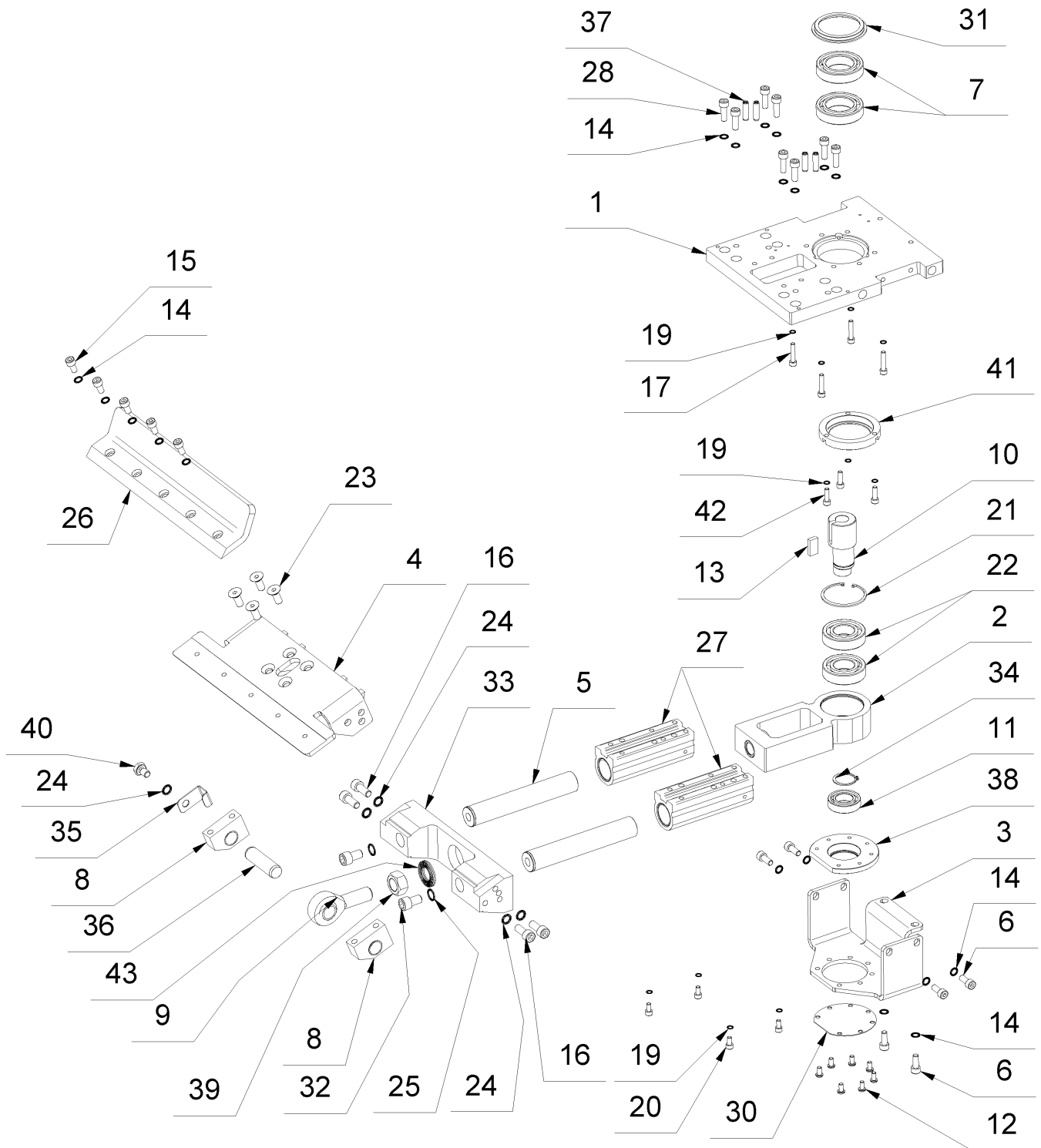
## Robo Stripper (0057/2017-0110/2019)

---

Item no.	Article no.	Description
1	03_01_073888	Impact
2	03_02_073888	Impact motor
3	01_03_073888	Actuator
4	04_04_073888	Front Carriage
5	01_05_073888	Front frame+weight
6	01_06_073888	Hinge
7	04_07_073888	Drive unit
9	04_09_073888	Rear frame + weight
10	04_10_083140	Handle
11	04_11_078815	Cockpit
12	04_12_083169	Cable extension
13	01_13_073888	Tool kit
14	01_14_073888	Accessory
15	04_15_073888	Circuit diagram Cockpit
16	04_16_073888	Circuit diagram Drive unit



# 1 Impact



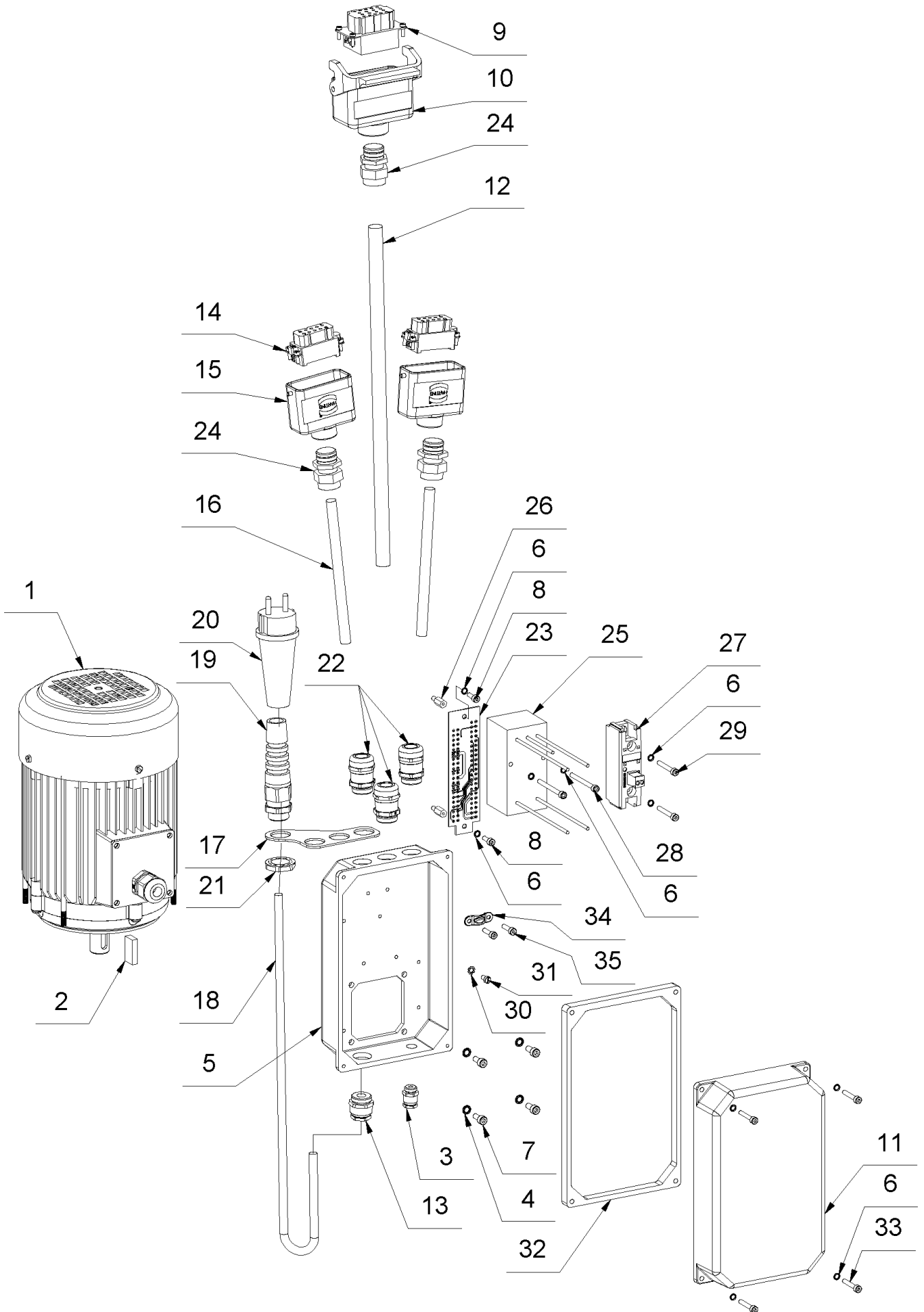
# 1 Impact

Item no.	Article no.	Description	Quantity
1	073868	Base support Robo-Stripper	1
2	073880	Connecting rod Robo-Stripper	1
3	074017	Storage console Robo-Stripper	1
4	074026	Striker Foot Casting 350 Robo S004	1
5	074099	Piston rods Robo-Str.	2
6	014734	Cylinder head screw M8x20 DIN 912	6
7	014706	Ball-bearing 6008 2RS1 C3	2
8	015417	Connecting rod bearing Turbo-/Su	2
9	074090	Joint head	1
10	073865	Eccentric shaft Robo-Stripper	1
11	014704	Ball-bearing 6005 2RSH	1
12	017553	Lens head screw M6x12	7
13	074112	Feather replacement Robo	1
14	014860	Schnorr Washer M8	19
15	017651	Cylinder head screw M8x16 DIN 912	5
16	049654	Cylinder head screw M10x25 DIN 912	4
17	017678	Cylinder head screw M6x30 DIN 912	4
19	014859	Schnorr washer M6	11
20	014726	Cylinder head screw M6x12 DIN 912	4
21	014856	Safety washer I62 DIN 472	1
22	014710	Ball bearing 6206 2RS1 C3	2
23	014763	Countersunk screw M10x25 DIN 7991 10.9	4
24	014861	Washer M10	5
25	014862	Washer M12	2
26	073985	Deflector 350 Robo-Stripper	1
27	074242	Guide sleevesquare compl.Robo SEE 169030	2
28	014735	Cylinder head screw M8x25 DIN 912	8
29	074020	Cover Robo-Stripper	1
30	074072	Sheet metal shielding Robo-Stripper	1
31	074939	Disk Robo-Str	1
32	017614	Cylinder head screw M12x20 DIN 912	2
33	074071	U-Bracket StrikerFootCastingRobo-Str.	1
34	014853	Safety washer A30 DIN 471	1
35	074225	Sheet to hedge Robo-Str.	1

## 1 Impact

Item no.	Article no.	Description	Quantity
36	074051	Cylindrical pin 20x70 DIN 7979	1
37	016873	Cylindrical pin 8x30 DIN 7979	4
38	073871	Drive hub plate Robo-Stripper	1
39	082493	Hexagon nut M 20x1,5 DIN 934	1
40	018168	Hexagon head screw M10x 16 DIN 933	1
41	074938	Storage disk Robo-Str	1
42	014730	Cylinder head screw M 6x20 DIN 912	3
43	079835	Safety washer M20 LL	1

## 2 Impact motor



## 2 Impact motor

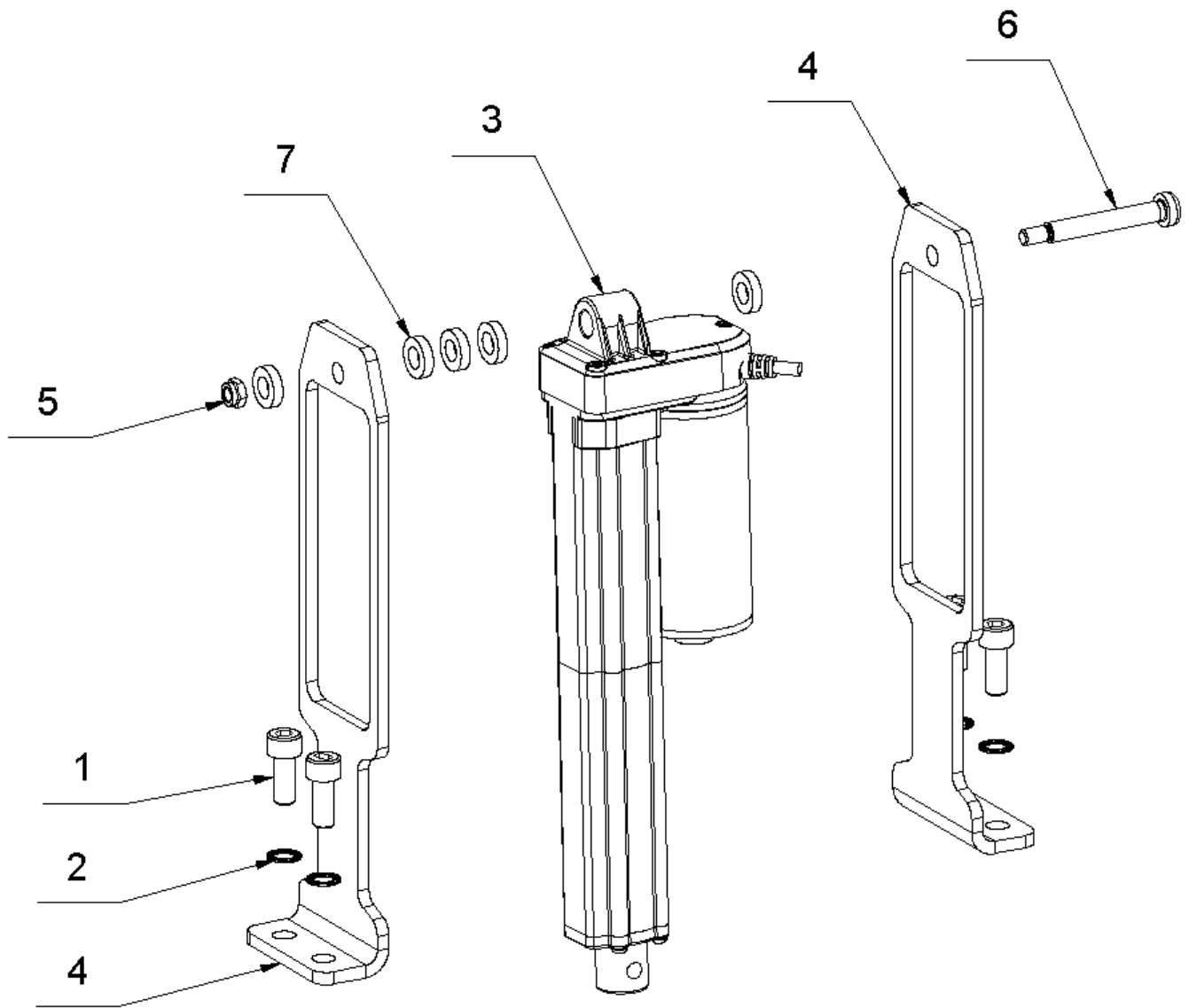
Item no.	Article no.	Description	Quantity
1	075061	Motor 3-ph Impact system Robo-Stripper	1
2	074112	Feather replacement Robo	1
3	074065	Cable connection M12x1,5	1
4	014858	Schnorr washer M5	4
5	074001	Cover Control unit Robo-Stripper	1
6	016961	Snorr washer M4	4
7	017561	Cylinder head screw M5x12 DIN 912	4
8	018284	Cylinder head screw M4x12 DIN 912	4
9	074066	Bushing insert Robo-Str.	1
10	074063	Clutch housing M20 Robo-Str.	1
11	076872	Frequency converters Impact syst.Robo	1
12	074388	Control line Control unit Robo-Str.	1
13	074064	Cable connection SKINDICHT M20x1,5	6
14	060034	Bush insert 10A/10 polig	2
15	060033	Housing 10A	2
16	074391	Control line frequency inverter Robo-Str	2
17	074084	Supporting plate Power cord Robo-Str.	1
18	074394	El.cord 3G2,5 <sup>2</sup> x without plug Robo-Str.	1
19	039190	Screw connection w.bending prot.M20x1,5	2
20	039203	Plug grey	1
21	047935	Nut PE M20x1,5	1
22	076883	Bolt joint SKINTOP M20x1,5 EMV	3
23	076956	Distributor board Serie Robo-Str.	1
24	051948	Cable gland M20x1.5	3
25	076832	Condenser to screen Robo-Str.	1
26	076899	Distance bolt M4x12 Robo-Str.	2
27	077574	Semiconductor relays Robo-Str.	1
28	017684	Cylinder head screw M4x45 DIN 912	2
29	018281	Cylinder head screw M4x30 DIN 912	2
30	017663	Tooth lock washer 4.3 Form A DIN 6797	1
31	017473	Cylinder head screw M4x8 DIN 84 brass	1
32	079644	Intermediate frame RoboStr	1
33	018282	Cylinder head screw M 4x25 DIN 912	4
34	015211	Cable clamp Motor Duro 2.0	1

## 2 Impact motor

---

Item no.	Article no.	Description	Quantity
35	017743	Cylinder head screw M4x16 DIN 912	2
o.Abb	076765	Cable set Frequency inverter Robo-Str.	1

### 3 Actuator



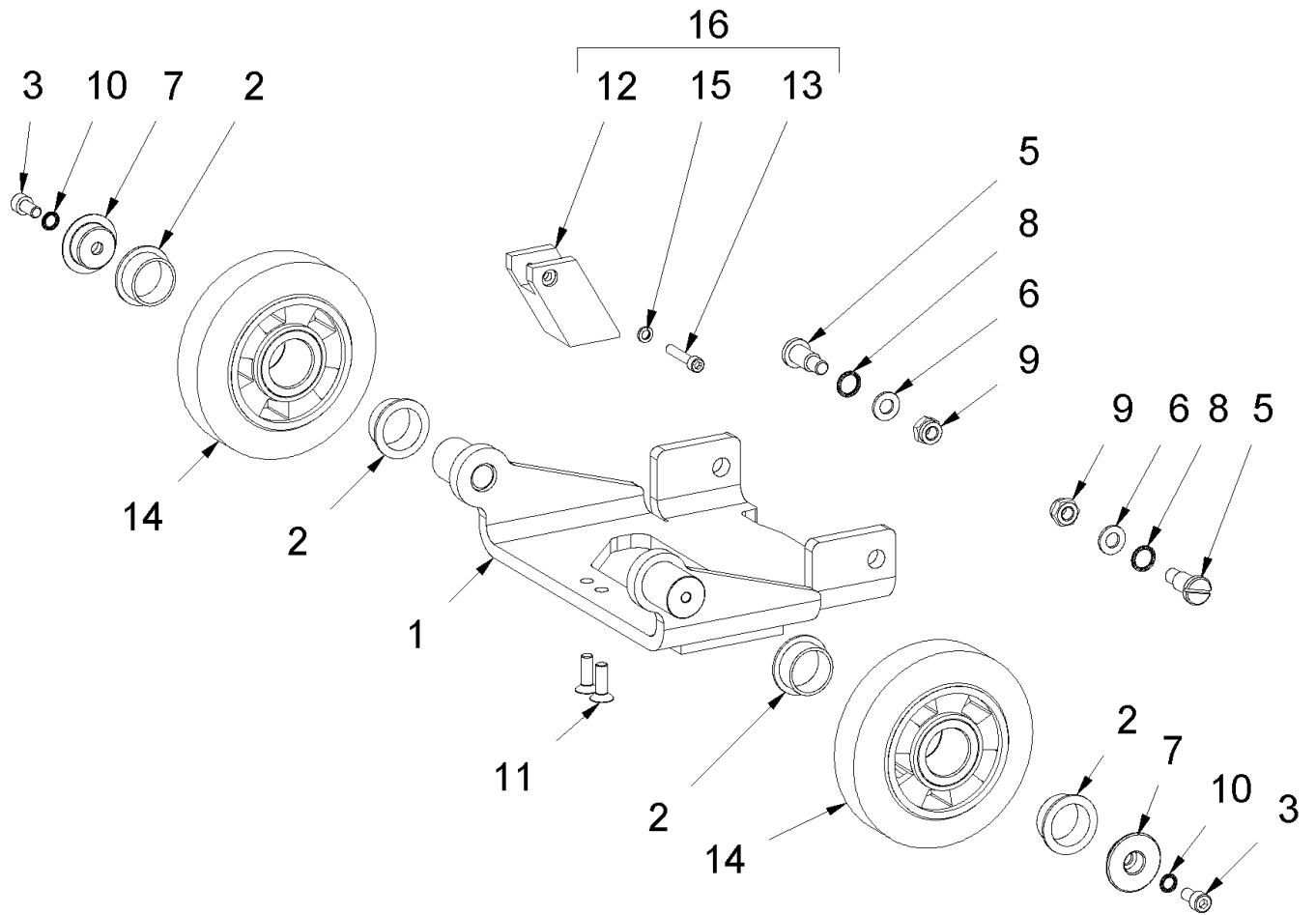
### 3 Actuator

---

Item no.	Article no.	Description	Quantity
1	014734	Cylinder head screw M8x20 DIN 912	4
2	014860	Schnorr Washer M8	4
3	074088	Electric cylinders Robo-Str.	1
4	074021	Holder stroke cylinders Robo-Stripper	2
5	014815	Hexagon nut M6 DIN985	1
6	073944	Fitting bolt M6xØ8x50 ISO 7379	1
7	074217	Distance ring 8,5x16x4 black	5



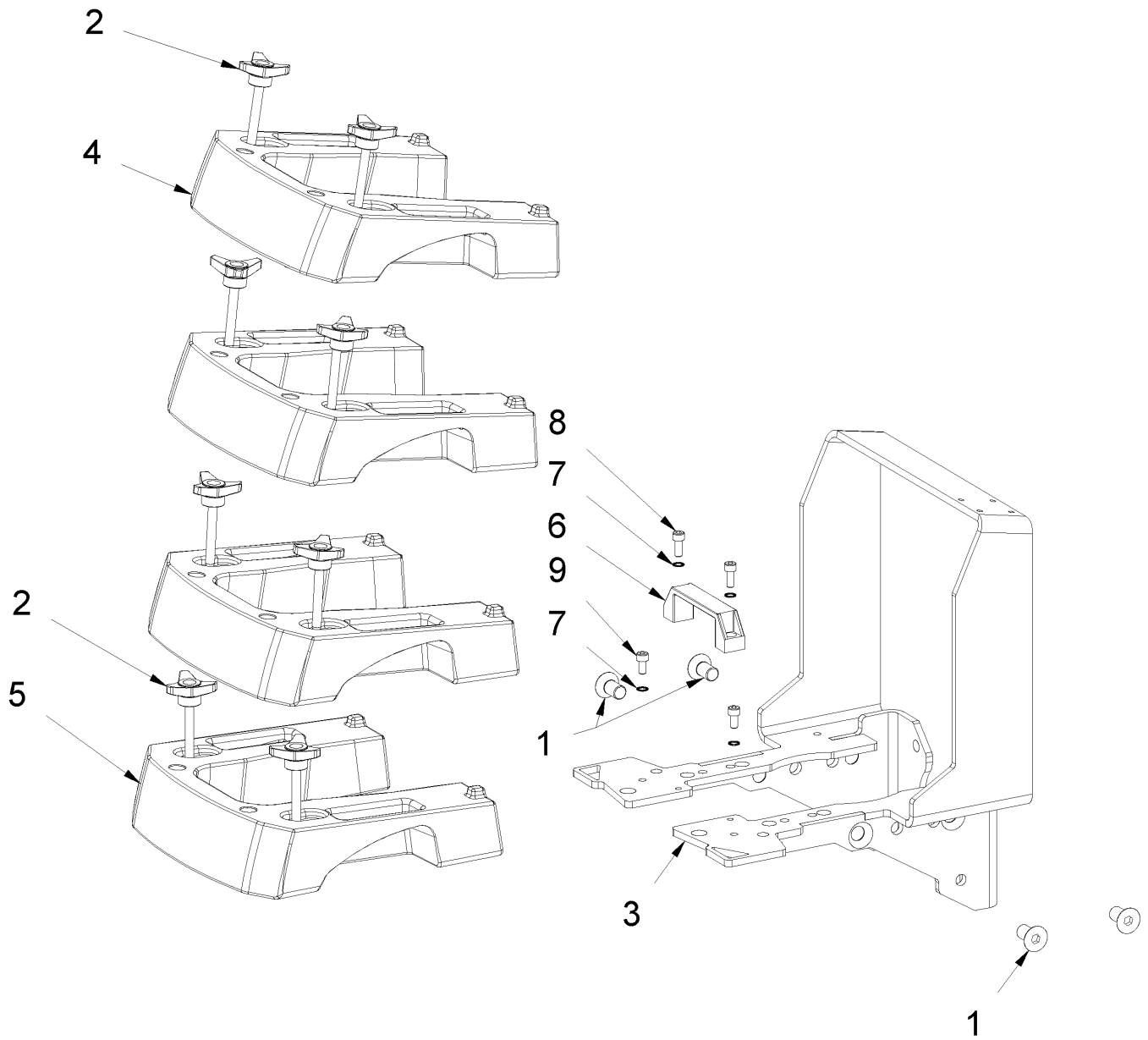
# 4 Front Carriage



## 4 Front Carriage

Item no.	Article no.	Description	Quantity
1	074027	SG Carriage up front Robo-Stripper	1
2	074085	Bushing GFM 3034-16	4
3	017651	Cylinder head screw M8x16 DIN 912	2
5	073947	Flat head screw M10x20 DIN 923	2
6	014829	Washer M10 DIN 125 A	2
7	073876	Washer Transport wheel Robo-Stripper	2
8	014862	Washer M12	2
9	014817	Hexagon nut M10 DIN 985	2
10	014860	Schnorr Washer M8	2
11	014761	Countersunk screw M8x25 DIN 7991 10.9	2
12	083808	Holding devicee cyl.rod Robo-Stripper	1
13	083806	Cylinder head screw M 6x50 12.9 DIN 912	1
14	073996	Transport Wheel cpl. Robo-Stripper	2
15	079861	Safety washer M6	1
16	083807	Holder Cylinder rod SEE 083808	1

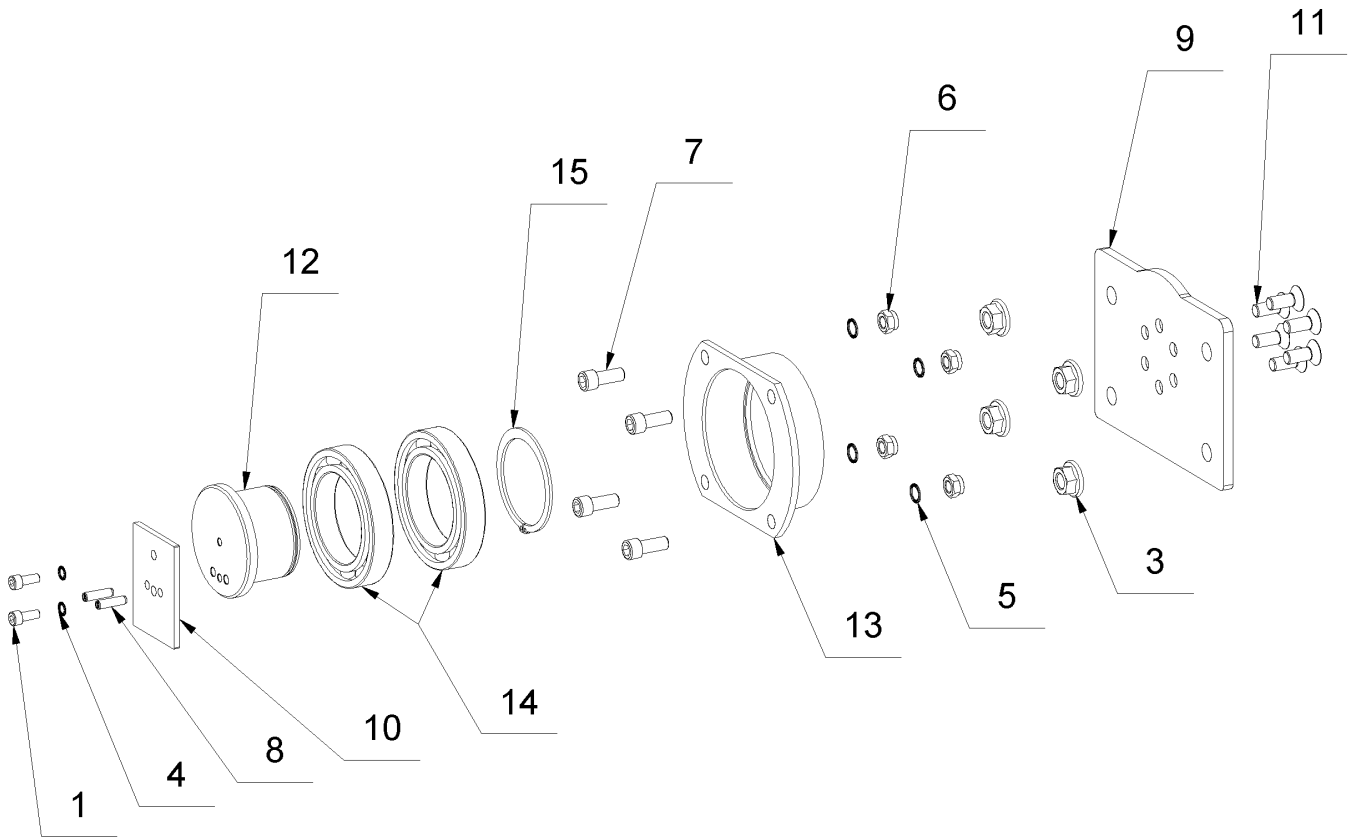
## 5 Front frame+weight



## 5 Front frame+weight

Item no.	Article no.	Description	Quantity
1	073954	Countersunk screw M16x30 DIN 7991 10.9	4
2	074111	Three star screw M10x100 cpl.	8
3	074035	Chassis Impact system Robo-Str.	1
4	074030	Additional weight in front grey RoboStr.	3
5	074029	Additional weight in front RoboStr.green	1
6	014915	Handle/Grip GN528 117mm	1
7	014860	Schnorr Washer M8	4
8	014734	Cylinder head screw M8x20 DIN 912	2
9	017651	Cylinder head screw M8x16 DIN 912	2

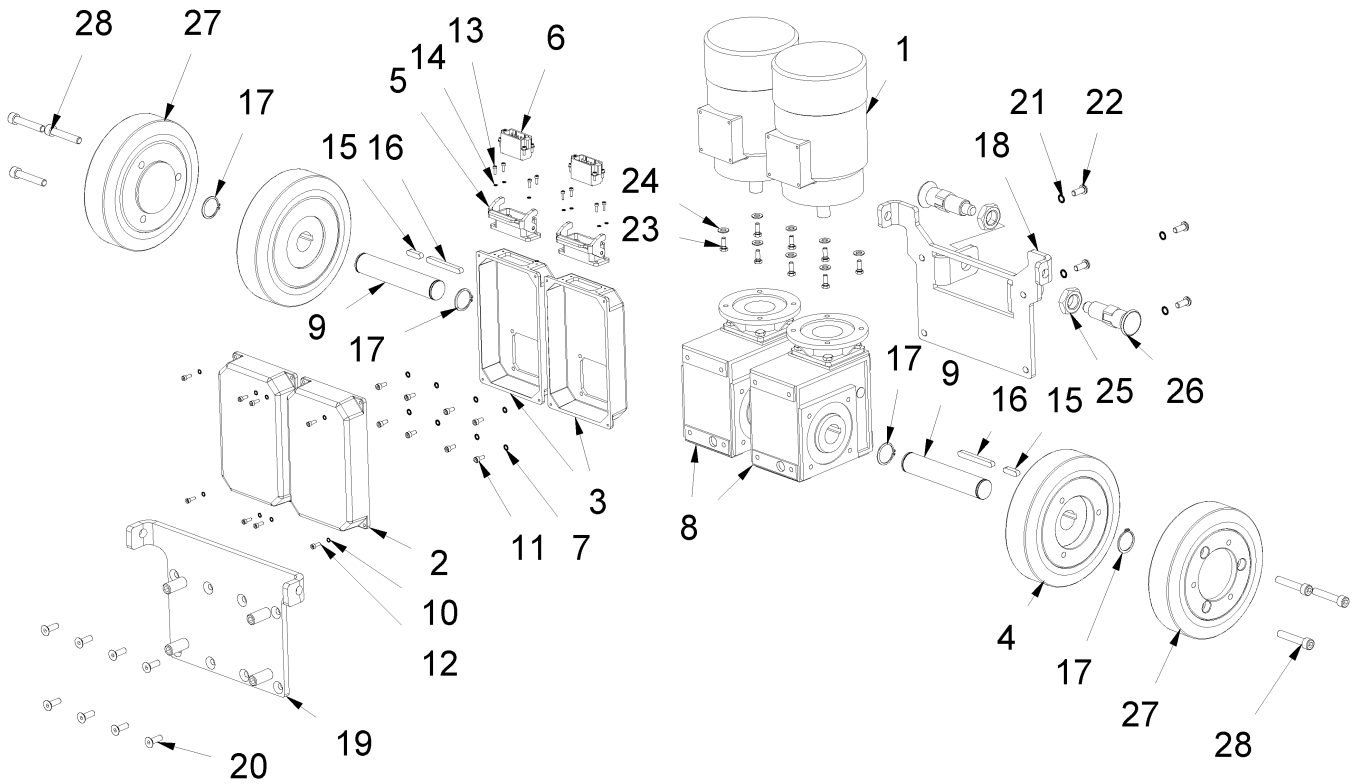
# 6 Hinge



## 6 Hinge

Item no.	Article no.	Description	Quantity
1	014734	Cylinder head screw M8x20 DIN 912	2
3	073952	Locknut M16 DIN 6923	4
4	014860	Schnorr Washer M8	2
5	014862	Washer M12	4
6	018770	El.stop-nut M12 DIN 985	4
7	014744	Cylinder head screw M12x30 DIN 912	4
8	016873	Cylindrical pin 8x30 DIN 7979	2
9	074033	Separating plate Robo-Stripper	1
10	073867	Stop swivel Robo-Stripper	1
11	018333	Countersunk screw M12x30 DIN 7991blank	6
12	073869	Gear shaft Robo-Stripper	1
13	073870	Socket swivel joint Robo-Stripper	1
14	073793	Ball bearing 6017 2RS1	2
15	076749	Safety washer A85 DIN 471	1

## 7 Drive unit

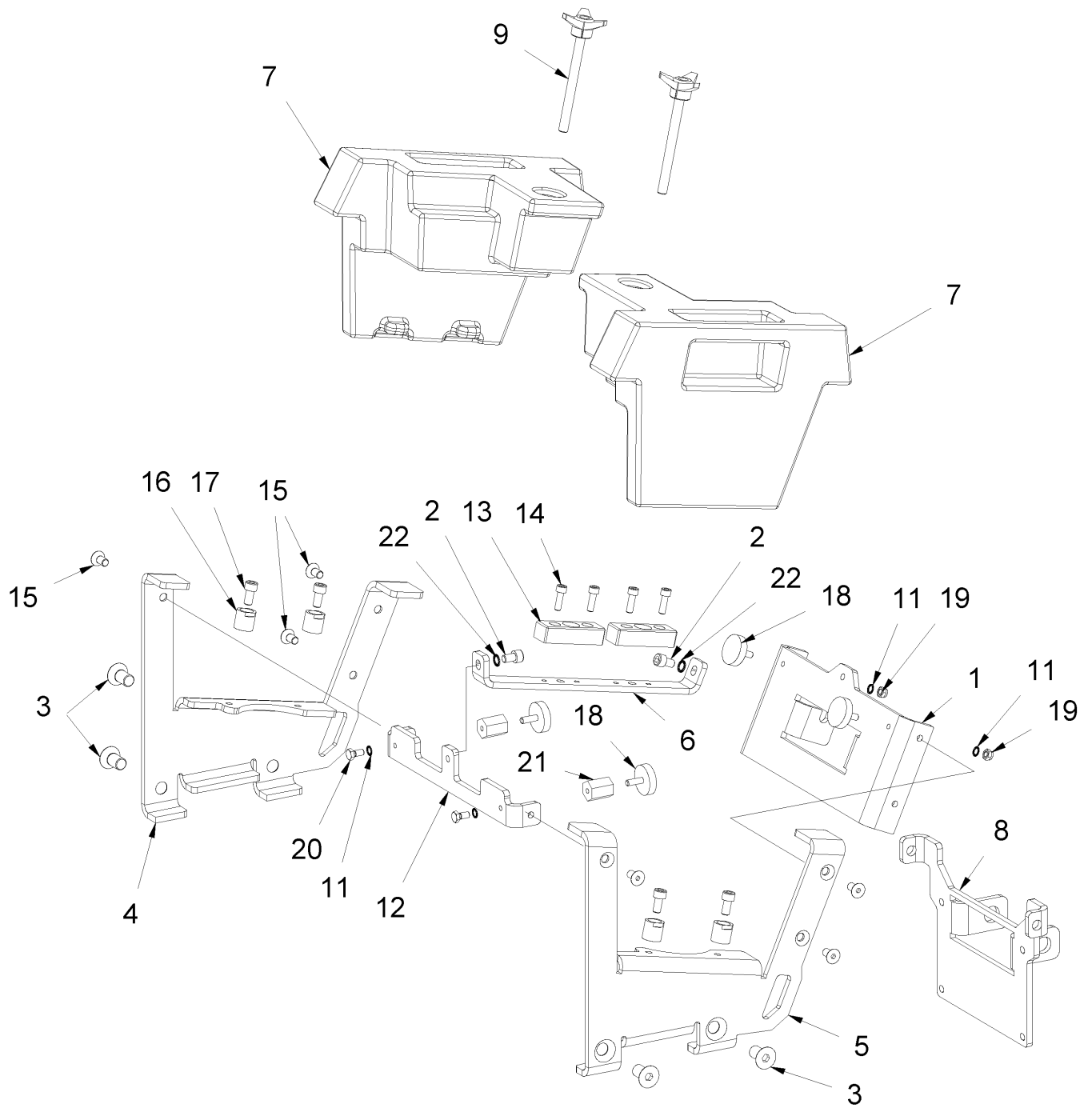


## 7 Drive unit

Item no.	Article no.	Description	Quantity
1	073859	Motor drive unit Robo-Stripper	2
2	073882	Frequency inverter Robo-Stripper	2
3	073883	Cover Robo-Stripper	2
4	073990	Driving wheel inside cpl. Robo-Stripper	2
5	060032	Housing 10A	2
6	060035	Pin employment 10A/10 polig	2
7	014858	Schnorr washer M5	8
8	073858	Gear Robo-Stripper	2
9	073866	Axle Drive shaft Robo-Stripper	2
10	016961	Snorr washer M4	8
11	017561	Cylinder head screw M5x12 DIN 912	8
12	018284	Cylinder head screw M4x12 DIN 912	8
13	014715	Cylinder head screw M3x10 DIN 912	8
14	017772	Schnorr washer M3	8
15	073948	Nut key 8x7x30 DIN 6885	2
16	073949	Feather key 8x7x70 DIN 6885	2
17	014853	Safety washer A30 DIN 471	4
18	073887	Gear plate behind Robo-Stripper	1
19	073886	Gear plate vorne Robo-Stripper	1
20	014761	Countersunk screw M8x25 DIN 7991 10.9	8
21	014860	Schnorr Washer M8	4
22	047385	Lens head screw M8x20	4
23	014770	Hexagonal screw M 6x16 DIN 933	8
24	014828	Washer M8 DIN 125 A	8
25	072155	Hexagon nut M24x2 DIN 936	2
26	072154	Locking pin size 5 Form C - M24x2 Ø16	2
27	077758	Driving wheel outside Robo-Stripper	2
28	077757	Cylinder head screw M10x55 DIN 912	6



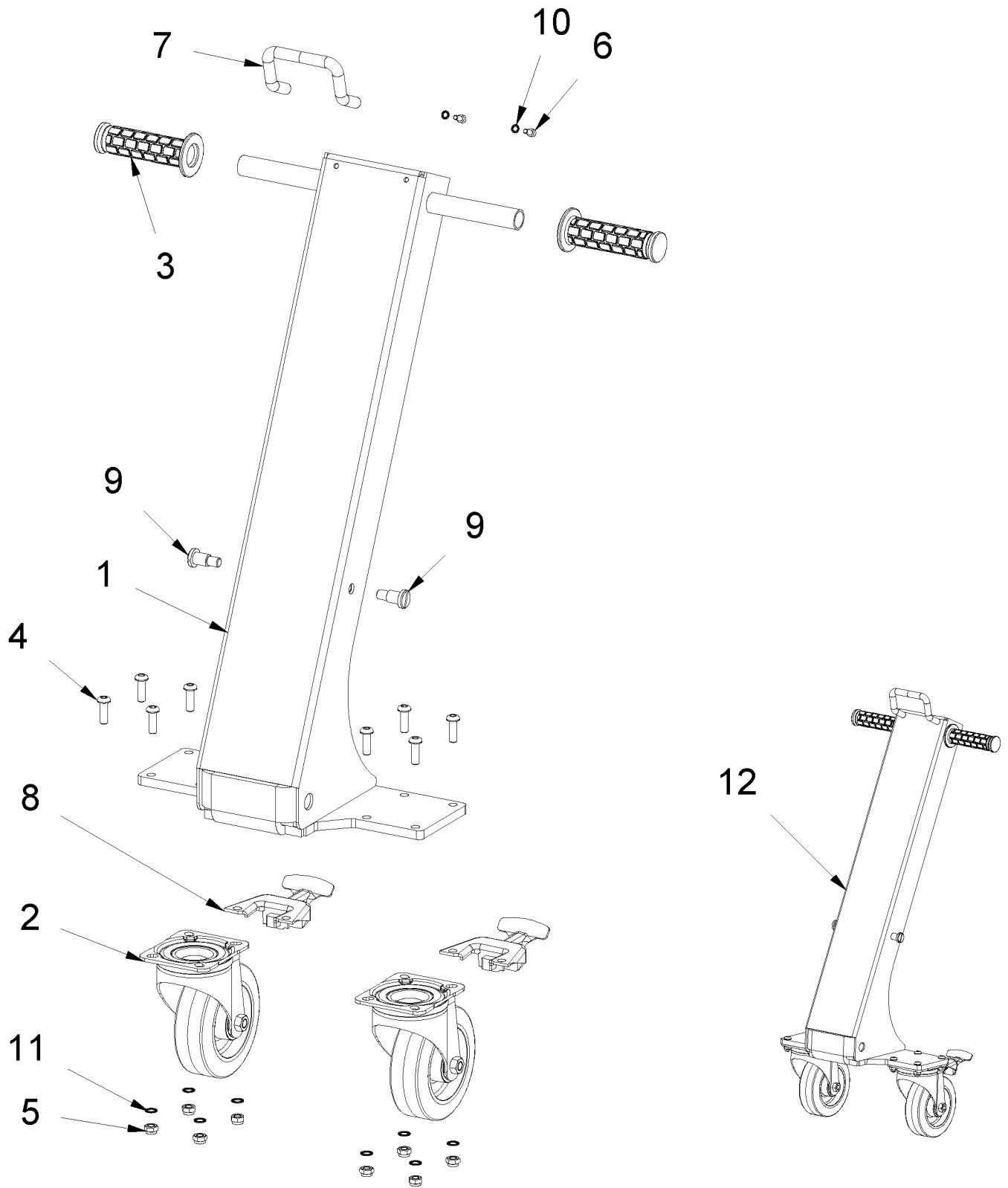
## 9 Rear frame + weight



## 9 Rear frame + weight

Item no.	Article no.	Description	Quantity
1	082736	Rear frame plate Robo Stripper	1
2	014740	Cylinder head screw M10x16 DIN 912 10.9	2
3	073954	Countersunk screw M16x30 DIN 7991 10.9	4
4	082735	Frame drive right Robo Stripper	1
5	082734	Frame drive left Robo Stripper	1
6	082741	Bracket Additional weight rear Robo Str.	1
7	081439	Additional weight Robo 2016	2
8	082737	Rear gear plate Robo Stripper	1
9	084075	Three star screw M 12x130 cpl.	2
11	014860	Schnorr Washer M8	4
12	149263	Cover Frame Drive Robo Stripper	1
13	083445	Additional weight support rear	2
14	014735	Cylinder head screw M8x25 DIN 912	4
15	014762	Countersunk screw M10x20 DIN7991 10.9	6
16	083519	Lateral support for additional weight	4
17	018301	Cylinder head screw M10x20 DIN 912	4
18	032752	Rubber metal buffer 40x10-M8x23 Typ D	4
19	014816	Hexagon nut M8 DIN 985	2
20	018969	Hexagonal screw M 8x 16 DIN 933	2
21	083396	Spacer piece ROBO	2
22	014861	Washer M10	2

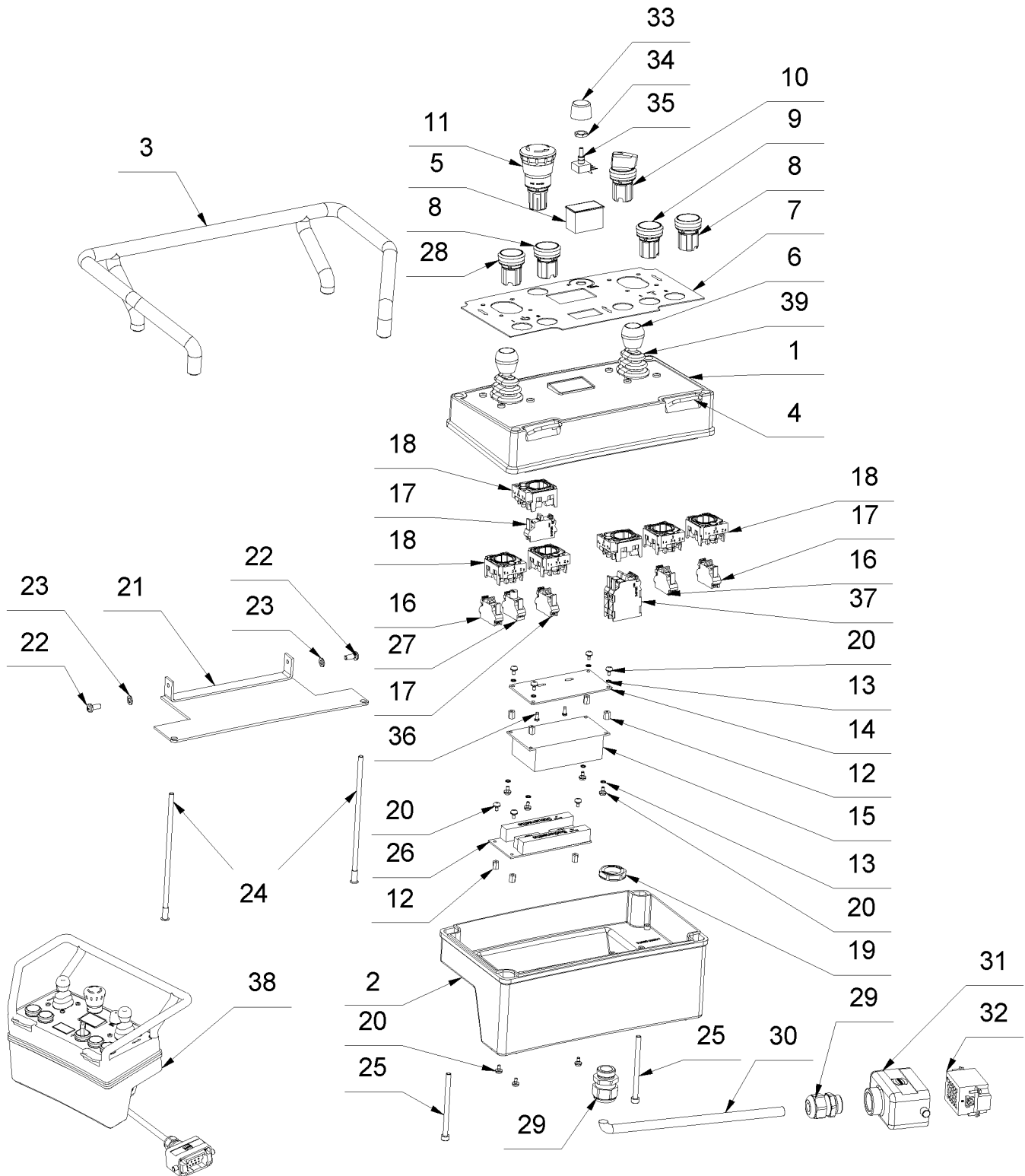
# 10 Handle



## 10 Handle

Item no.	Article no.	Description	Quantity
1	082731	Handel Robo Stripper	1
2	074095	Steer roll Robo-Str.	2
3	073574	Grip covering Ø22mm	2
4	036272	Lens head screw M 8x25	8
5	014816	Hexagon nut M8 DIN 985	8
6	017561	Cylinder head screw M5x12 DIN 912	2
7	074094	Machine handle angled	1
8	074096	Direction locking brake Robo-Str.	2
9	072156	Flat head screw M10x16 DIN 923	2
10	014858	Schnorr washer M5	2
11	014860	Schnorr Washer M8	8
12	083140	Handle S004 Robo Stripper	1

# 11 Cockpit



## 11 Cockpit

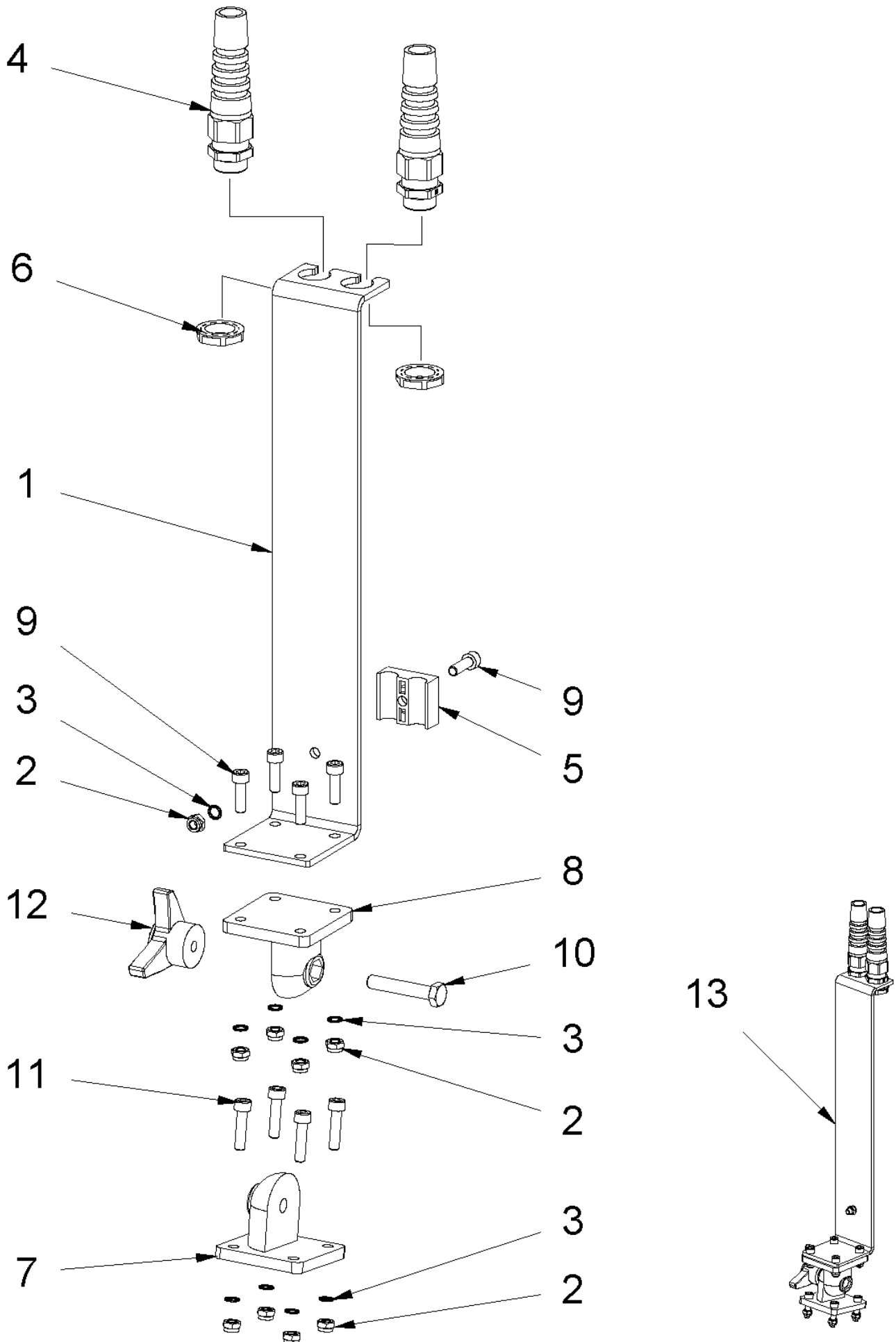
Item no.	Article no.	Description	Quantity
1		Cover	1
2		Lower part	1
3	084790	Reeling	1
4		Belt attachment	2
5		Voltmeter	1
6		Spur gear	2
7	086042	Front panel	1
8	085934	Pushbutton 22mm round red	2
9	085935	Pushbutton 22mm round green	1
10	085940	Toggle switch 22mm round	1
11	085938	Emergency Pushbutton 22mm round red	1
12	075473	Distance bolt Robo-Str.	7
13	017772	Schnorr washer M3	8
14	075026	Adapter plate power pack Robo-Str.	1
15	074936	Power supply 24V Robo-Str.	1
16	085930	Contact element 1S	2
17	085929	Contact element 1Ö	3
18	085928	Holder contact element	6
19	047935	Nut PE M20x1,5	1
20	017555	Lens head screw M3x6	14
21		Cover plate at the bottom	1
22		Slotted pan-head bolt	2
23		Washer	2
24		Lens head bolt	2
25		Cylinder head screw	2
26	076596	Control board Serie Robo-Stripper	1
27	085932	LED module green	1
28	085936	Pushbutton lighted 22mm round green	1
29	051948	Cable gland M20x1.5	2
30	074390	Control cable pedestal Robo-Str.	1
31	074062	Housing for grommet M20 Robo-Str.	1
32	074067	Pin insertion Robo-Str.	1
33		Knob	1
34		Nut for Poti	1

## 11 Cockpit

---

Item no.	Article no.	Description	Quantity
35		Potentiometer	1
36	075529	Lens head screw 3x 8	2
37	085933	Contact element 2S	2
38	078815	Operating panel Serie foreign cpl.RoboSt	1

## 12 Cable extension



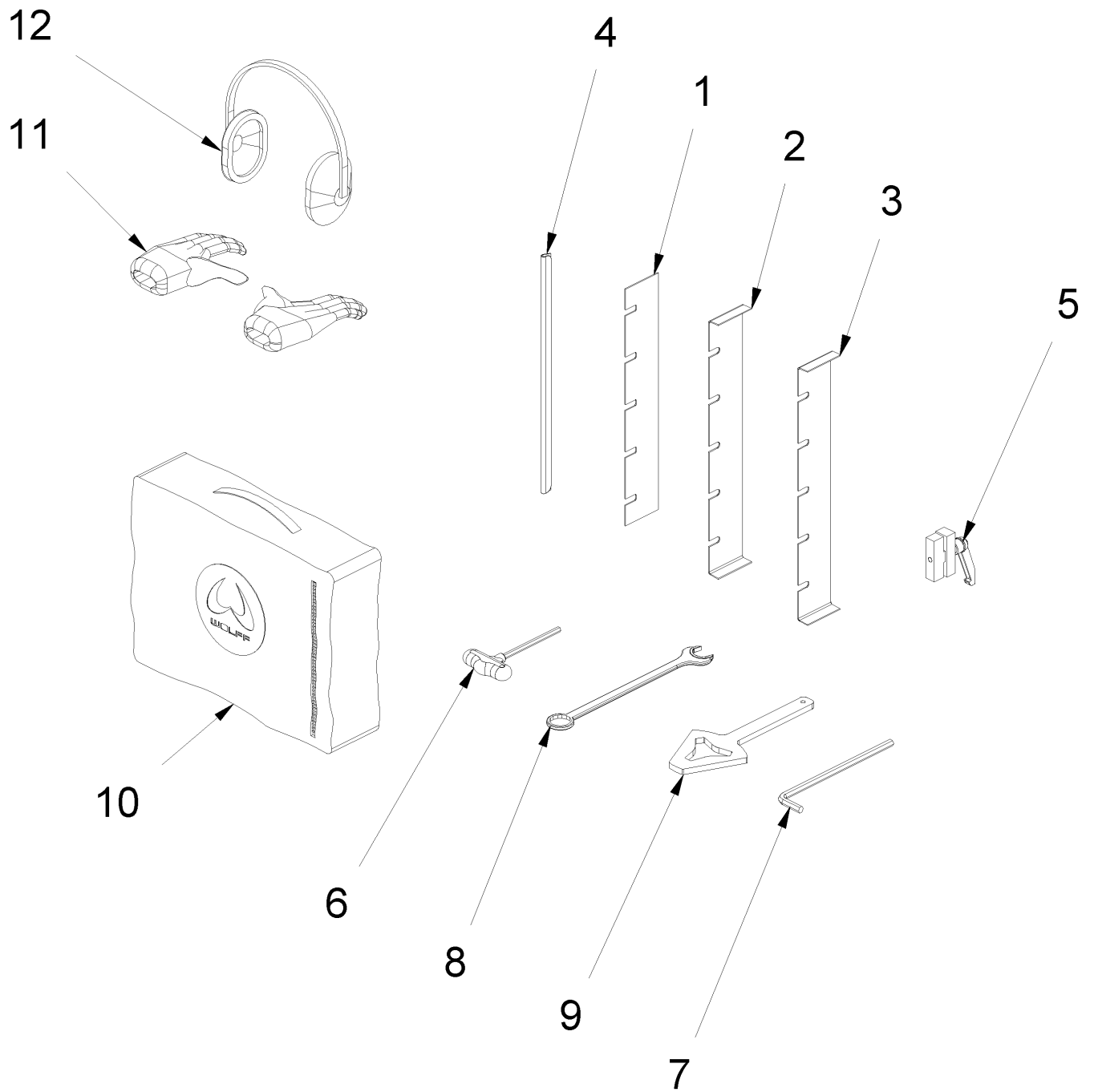


## 12 Cable extension

Item no.	Article no.	Description	Quantity
1	082740	Kabelausleger Arm ROBO-Stripper	1
2	014815	Hexagon nut M6 DIN985	9
3	014859	Schnorr washer M6	9
4	039190	Screw connection w.bending prot.M20x1,5	2
5	083111	Double clamp	1
6	047935	Nut PE M20x1,5	2
7	083057	Clamp connector GN 272-40-AV-BL	1
8	083056	Clamp connector GN 272-40-IV-BL	1
9	014752	Cylinder head screw M6x20DIN 912 microve	5
10	018157	Hexagonal screw M 8x 45 DIN 931	1
11	062929	Cylinder head screw M6x 25 DIN 6912	4
12	083141	Treestar Grip M8	1
13	083169	Cable cantilever Robo Stripper	1

## 13 Tool kit

---



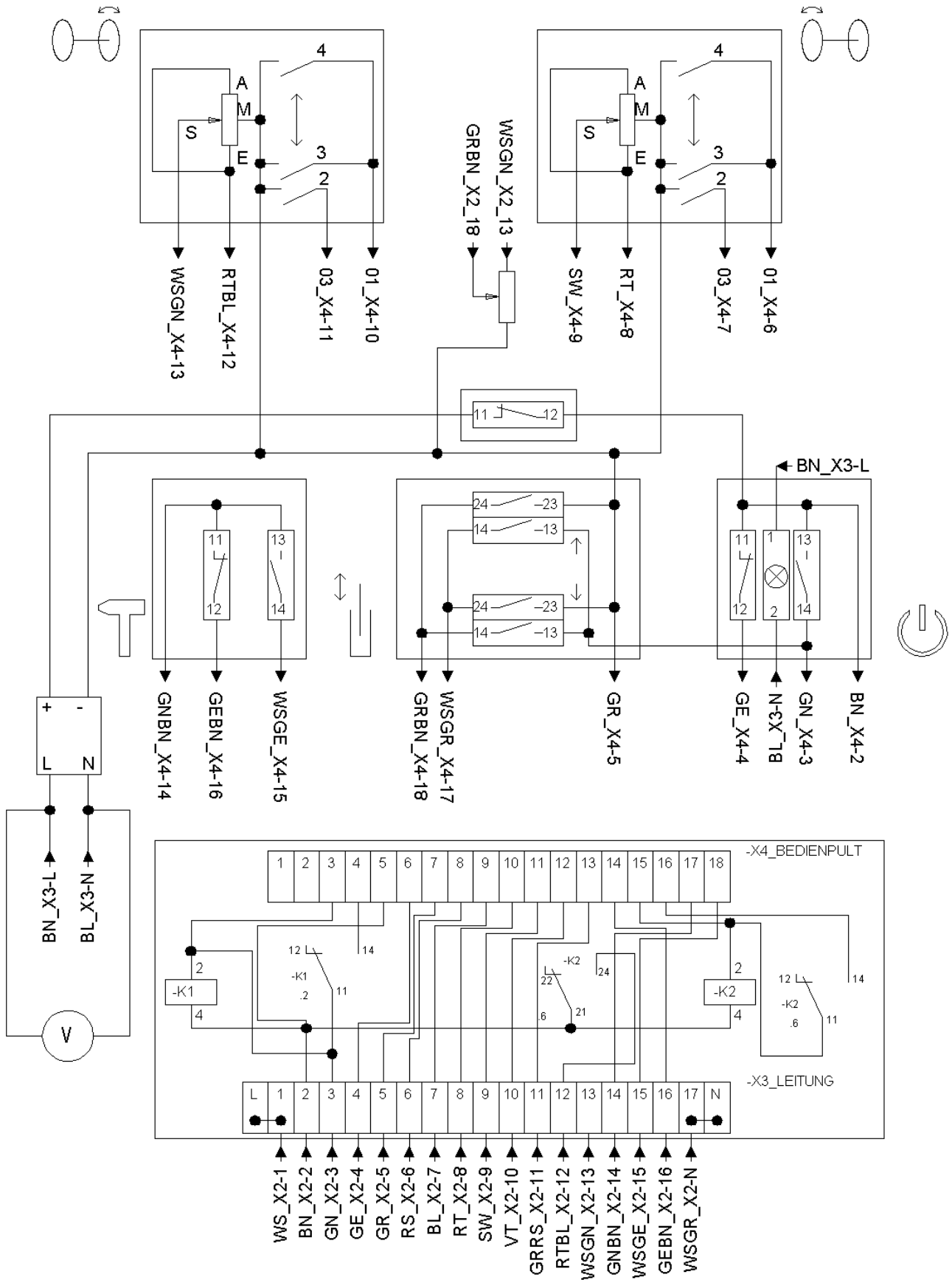
## 13 Tool kit

Item no.	Article no.	Description	Quantity
1	013979	Spare blades, 350 x 60 x 1,5 mm, 10 pcs.	1
2	038933	U-Blade 350mm bottom cutting edge	1
3	013983	U-Blade 350mm top cutting edge	1
4	017647	Blade protection 350mm	1
5	080274	Twist lock set cpl. Robo-Str.	1
6	019141	T-handle 6-kt SW 6	1
7	070900	Hexagonal screw key SW8 DIN 911L	1
8	074284	Ring end wrench SW24	1
9	074069	Key three star attacked Robo-Str.	1
10	054064	Tool bag green - Wolff	1
11	015809	Safety gloves 1 pair	1
12	015315	Hearing protectors	1

## 14 Accessory

Article no.	Description	Quantity
013978	Spare blades, 350 x 60 x 1,0 mm, 10 pcs.	1
013979	Spare blades, 350 x 60 x 1,5 mm, 10 pcs.	1
013980	Spare blades, 200 x 60 x 1,5 mm, 10 pcs.	1
013981	Spare blades, 150 x 60 x 1,5 mm, 10 pcs.	1
013982	Spare blade, 350 x 120 x 1,5 mm	1
013983	U-Blade 350mm top cutting edge	1
038933	U-Blade 350mm bottom cutting edge	1
039362	Special blade, heavy type, 350 mm	1
036690	Extension cord 3G1,5x10 black Schuko	1
074215	Conv.kit Twin wheels cpl. Robo (1 pair)	1
082333	Deflector and striker 450mm	1
075006	Spare blades, 450x120x1,5mm 5Stk/VE	1
075007	Spare blades, 450x60x1,5mm	1
075010	U-Blade 450 cut is above Robo VE/2St	1
075011	U-Blade 450 Cut down Robo VE/2St	1
080359	Parquet knife 350x150x3 cpl.	1
080358	Parquet knife 350x150x3toothed w.def cpl	1
079634	Parquet knife 350x150x3	1
079635	Parquet blade 350x150x3 toothed	1

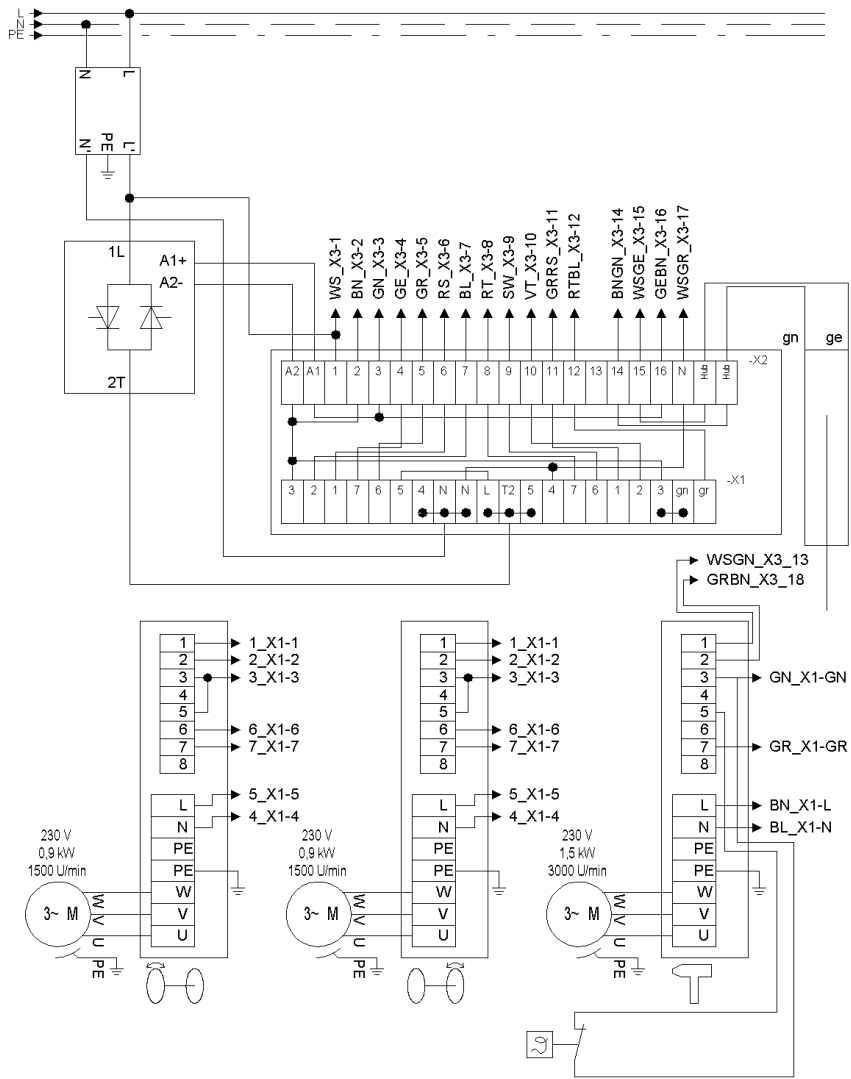
# 15 Circuit diagram Cockpit



## 15 Circuit diagram Cockpit

---

# 16 Circuit diagram Drive unit

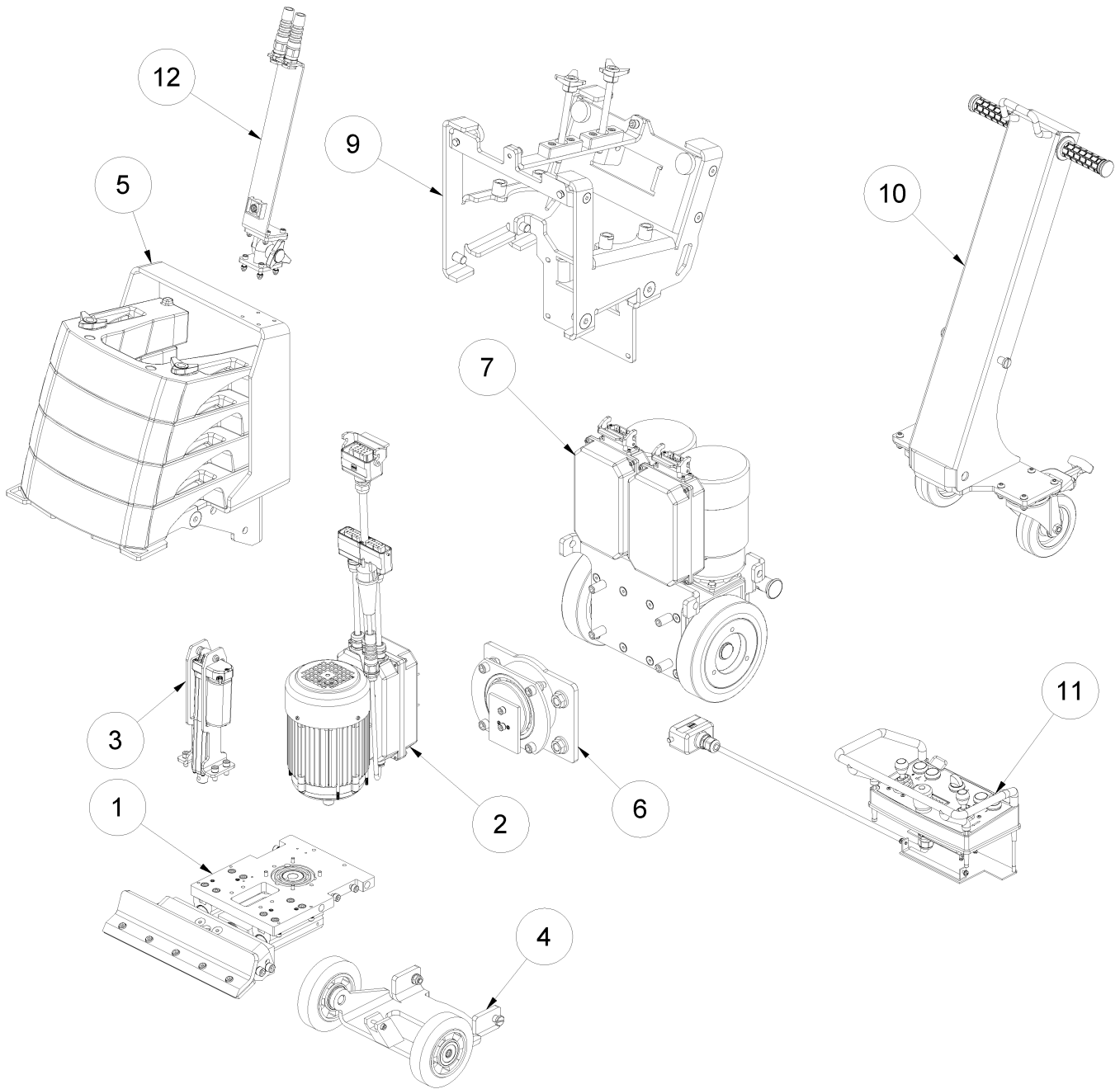


## 16 Circuit diagram Drive unit

---



# Robo Stripper (0111/2019-heute)

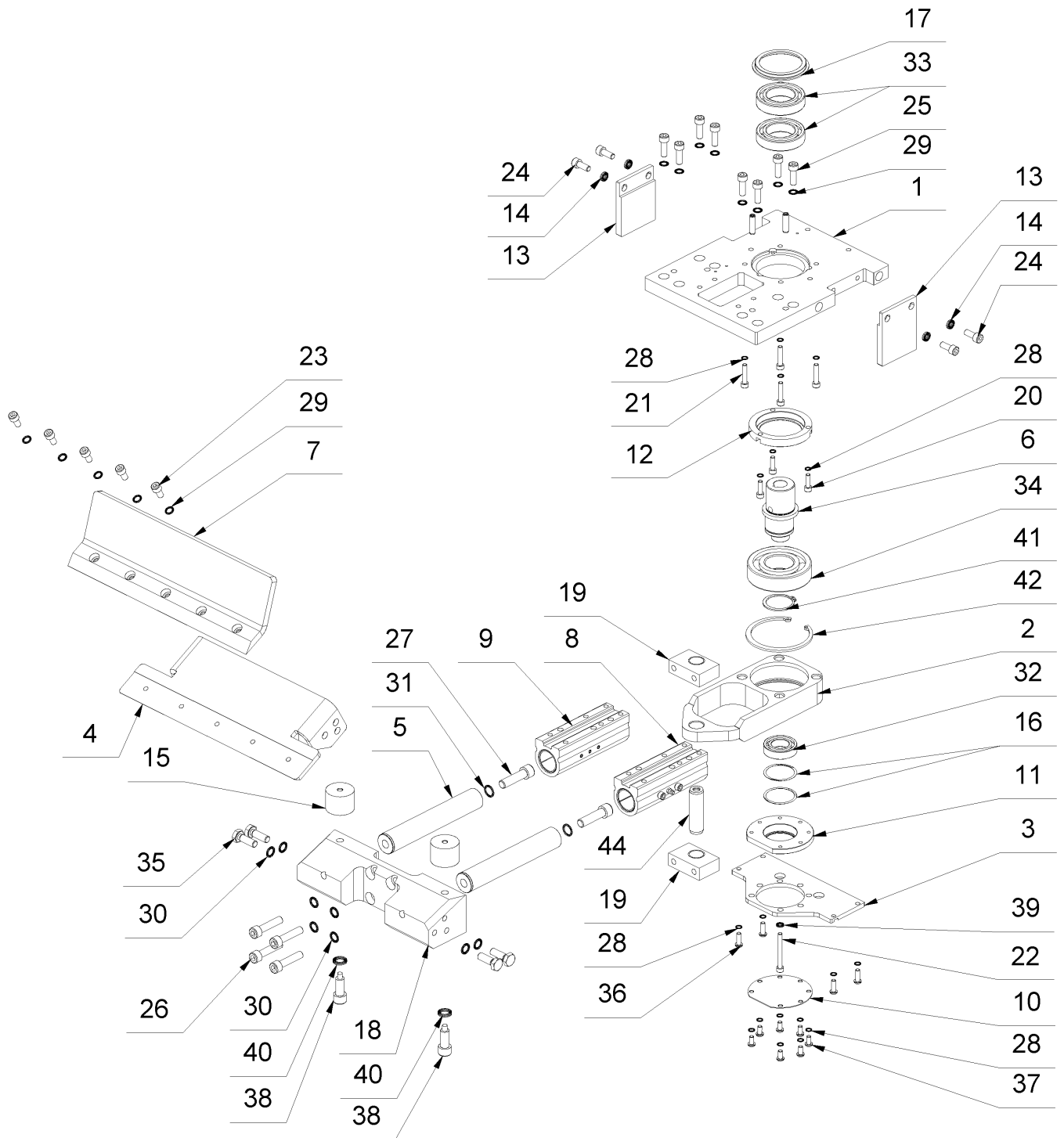


## Robo Stripper (0111/2019-heute)

---

Item no.	Article no.	Description
1	05_01_073888	Impact
2	05_02_073888	Impact motor
3	01_03_073888	Actuator
4	04_04_073888	Front Carriage
5	01_05_073888	Front frame+weight
6	01_06_073888	Hinge
7	04_07_073888	Drive unit
9	04_09_073888	Rear frame + weight
10	04_10_083140	Handle
11	04_11_078815	Cockpit
12	04_12_083169	Cable extension
13	05_13_074330	Tool kit
14	01_14_073888	Accessory
15	04_15_073888	Circuit diagram Cockpit
16	04_16_073888	Circuit diagram Drive unit

# 1 Impact



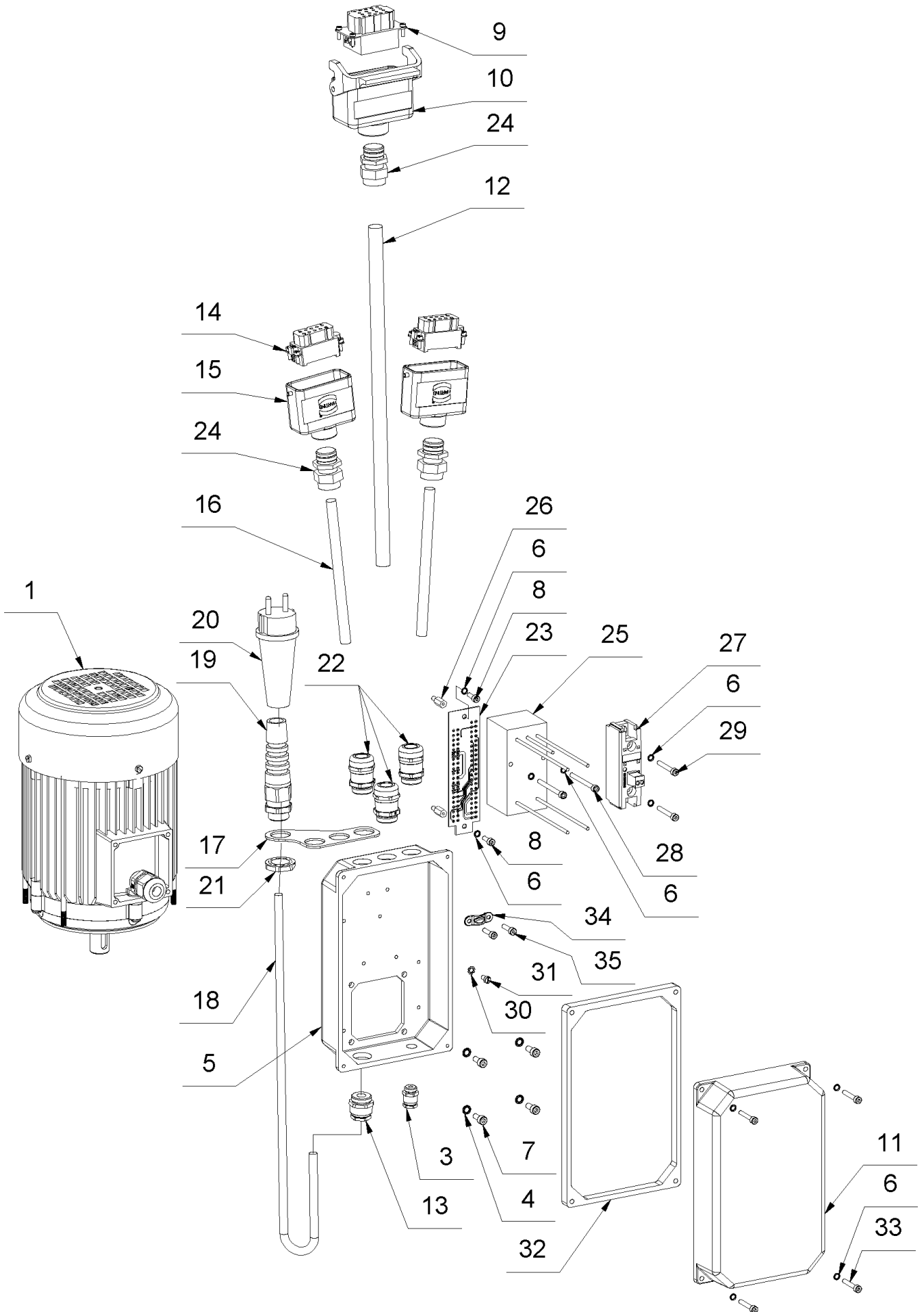
# 1 Impact

Item no.	Article no.	Description	Quantity
1	089134	Base support Robo-Stripper S005	1
2	089127	Connecting rod S005 for bearing Robo	1
3	089097	Cross plate Bearing bracket Robo-Strippe	1
4	089234	Striker Foot Casting 350 Robo S005	1
5	015132	Guide sleeve round Turbo/Bau	2
6	089126	Eccentric shaft for bearing Robo	1
7	089128	Deflector oscillator with adjustm. Robo	1
8	089179	Guide sleeve square left compl. Robo	1
9	089175	Guide sleeve DX square right compl.Robo	1
10	074072	Sheet metal shielding Robo-Stripper	1
11	073871	Drive hub plate Robo-Stripper	1
12	074938	Storage disk Robo-Str	1
13	089196	Plate Storage console Robo-Stripper	2
14	079873	Safety washer M8 LL	4
15	077748	Rubber stop Ø40x30-M8	2
16	089271	Ball bearing compensat disc 40X46,5x0,4	2
17	074939	Disk Robo-Str	1
18	089124	Oscillator with angle adjuster.Robo 2019	1
19	087728	Connecting rod bearing complete BiTurbo	2
20	014730	Cylinder head screw M 6x20 DIN 912	3
21	017678	Cylinder head screw M6x30 DIN 912	4
22	018261	Cylinder head screw M6x55 DIN 912	1
23	017651	Cylinder head screw M8x16 DIN 912	5
24	014734	Cylinder head screw M8x20 DIN 912	4
25	014735	Cylinder head screw M8x25 DIN 912	8
26	014741	Cylinder head screw M10x45 DIN 912	4
27	034222	Cylinder head screw M12x45 DIN 912	2
28	014859	Schnorr washer M6	18
29	014860	Schnorr Washer M8	13
30	014861	Washer M10	8
31	014862	Washer M12	2
32	014704	Ball-bearing 6005 2RSH	1
33	014706	Ball-bearing 6008 2RS1 C3	2
34	087781	Ball bearing 6308-2RS1/C3	1

## 1 Impact

Item no.	Article no.	Description	Quantity
35	018156	Hexagonal screw M10x 30 DIN 933	4
36	089242	Lens head screw M6x30 ISO 7380	4
37	017553	Lens head screw M6x12	7
38	087870	Special screw rubber buffer BiTurbo	2
39	079861	Safety washer M6	1
40	088646	Safety washer M12	2
41	087772	Looking ring A40 DIN 471	1
42	087774	Circlip I90 DIN 472	1
43	016873	Cylindrical pin 8x30 DIN 7979	2
44	074051	Cylindrical pin 20x70 DIN 7979	1

## 2 Impact motor



## 2 Impact motor

Item no.	Article no.	Description	Quantity
1	075061	Motor 3-ph Impact system Robo-Stripper	1
3	074065	Cable connection M12x1,5	1
4	014858	Schnorr washer M5	4
5	074001	Cover Control unit Robo-Stripper	1
6	016961	Snorr washer M4	10
7	017561	Cylinder head screw M5x12 DIN 912	4
8	018284	Cylinder head screw M4x12 DIN 912	2
9	074066	Bushing insert Robo-Str.	1
10	074063	Clutch housing M20 Robo-Str.	1
11	076872	Frequency converters Impact syst.Robo	1
12	074388	Control line Control unit Robo-Str.	1
13	074064	Cable connection SKINDICHT M20x1,5	1
14	060034	Bush insert 10A/10 polig	2
15	060033	Housing 10A	2
16	074391	Control line frequency inverter Robo-Str	2
17	074084	Supporting plate Power cord Robo-Str.	1
18	074394	El.cord 3G2,5 <sup>2</sup> x without plug Robo-Str.	1
19	039190	Screw connection w.bending prot.M20x1,5	1
20	039203	Plug grey	1
21	047935	Nut PE M20x1,5	1
22	076883	Bolt joint SKINTOP M20x1,5 EMV	3
23	076956	Distributor board Serie Robo-Str.	1
24	051948	Cable gland M20x1.5	3
25	076832	Condenser to screen Robo-Str.	1
26	076899	Distance bolt M4x12 Robo-Str.	2
27	077574	Semiconductor relays Robo-Str.	1
28	017684	Cylinder head screw M4x45 DIN 912	2
29	018281	Cylinder head screw M4x30 DIN 912	2
30	017663	Tooth lock washer 4.3 Form A DIN 6797	1
31	017473	Cylinder head screw M4x8 DIN 84 brass	1
32	079644	Intermediate frame RoboStr	1
33	018282	Cylinder head screw M 4x25 DIN 912	4
34	015211	Cable clamp Motor Duro 2.0	1
35	017743	Cylinder head screw M4x16 DIN 912	2

## 2 Impact motor

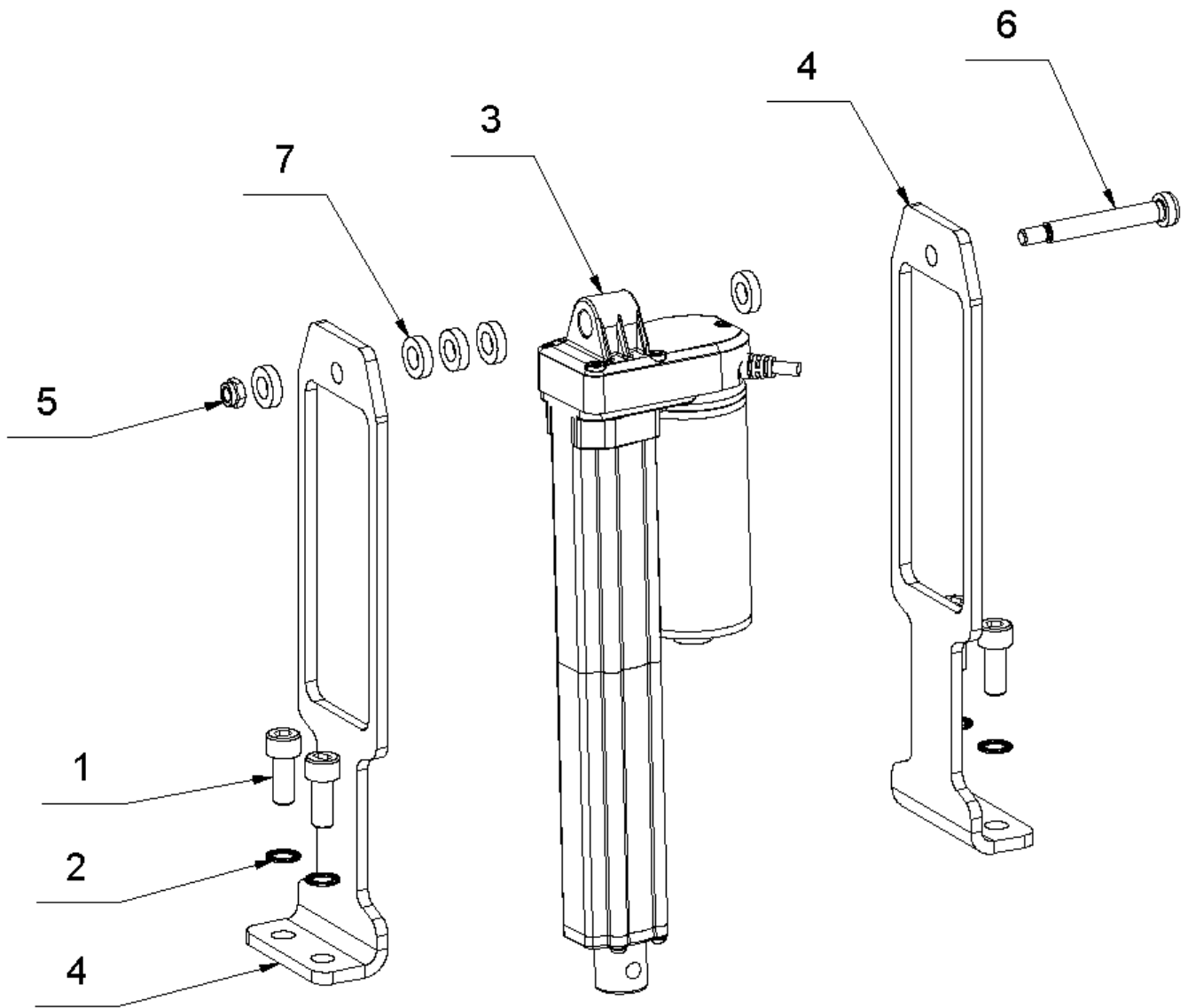
---

Item no.	Article no.	Description	Quantity
o.Abb.	076765	Cable set Frequency inverter Robo-Str.	1

---



### 3 Actuator

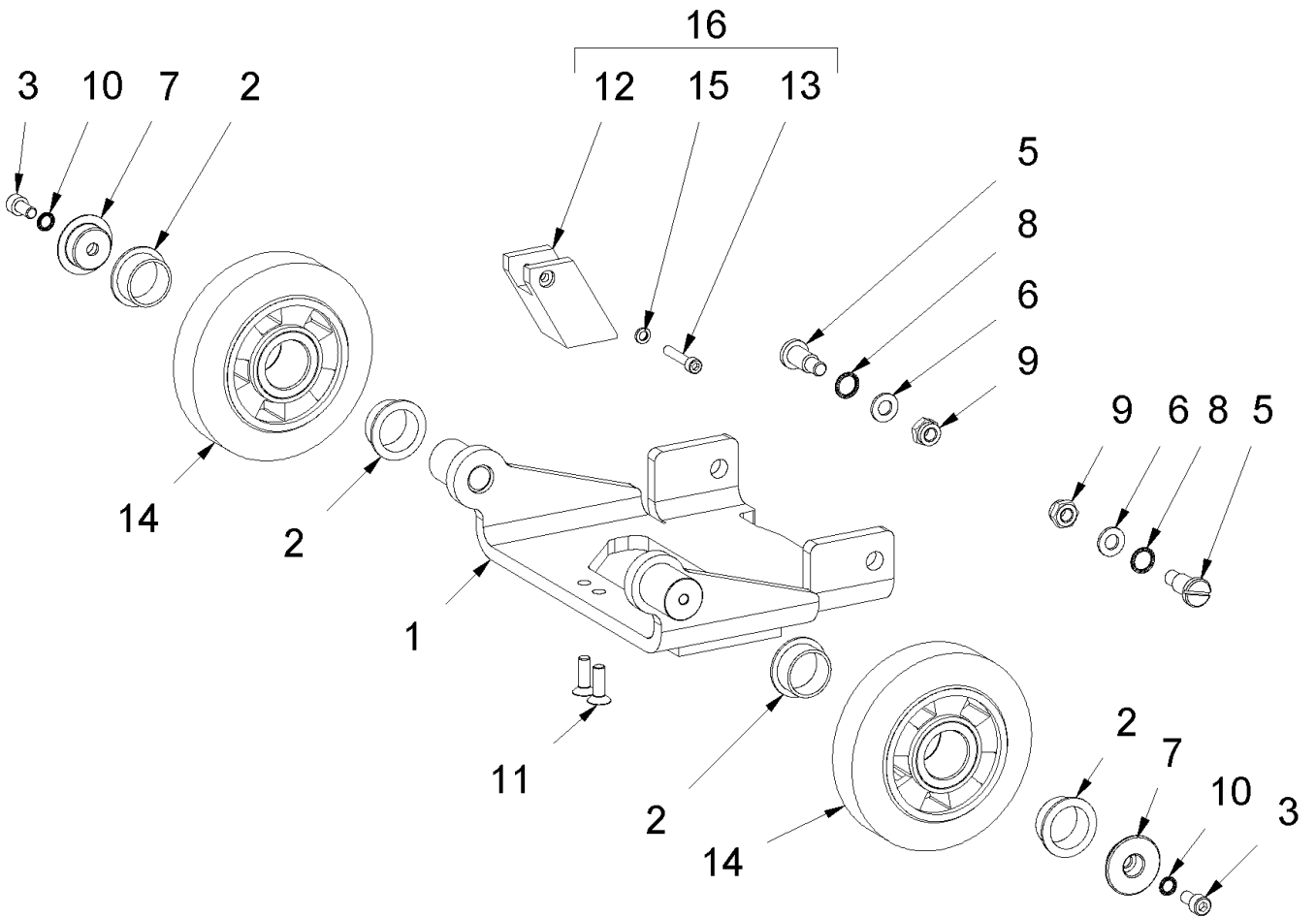


### 3 Actuator

---

Item no.	Article no.	Description	Quantity
1	014734	Cylinder head screw M8x20 DIN 912	4
2	014860	Schnorr Washer M8	4
3	074088	Electric cylinders Robo-Str.	1
4	074021	Holder stroke cylinders Robo-Stripper	2
5	014815	Hexagon nut M6 DIN985	1
6	073944	Fitting bolt M6xØ8x50 ISO 7379	1
7	074217	Distance ring 8,5x16x4 black	5

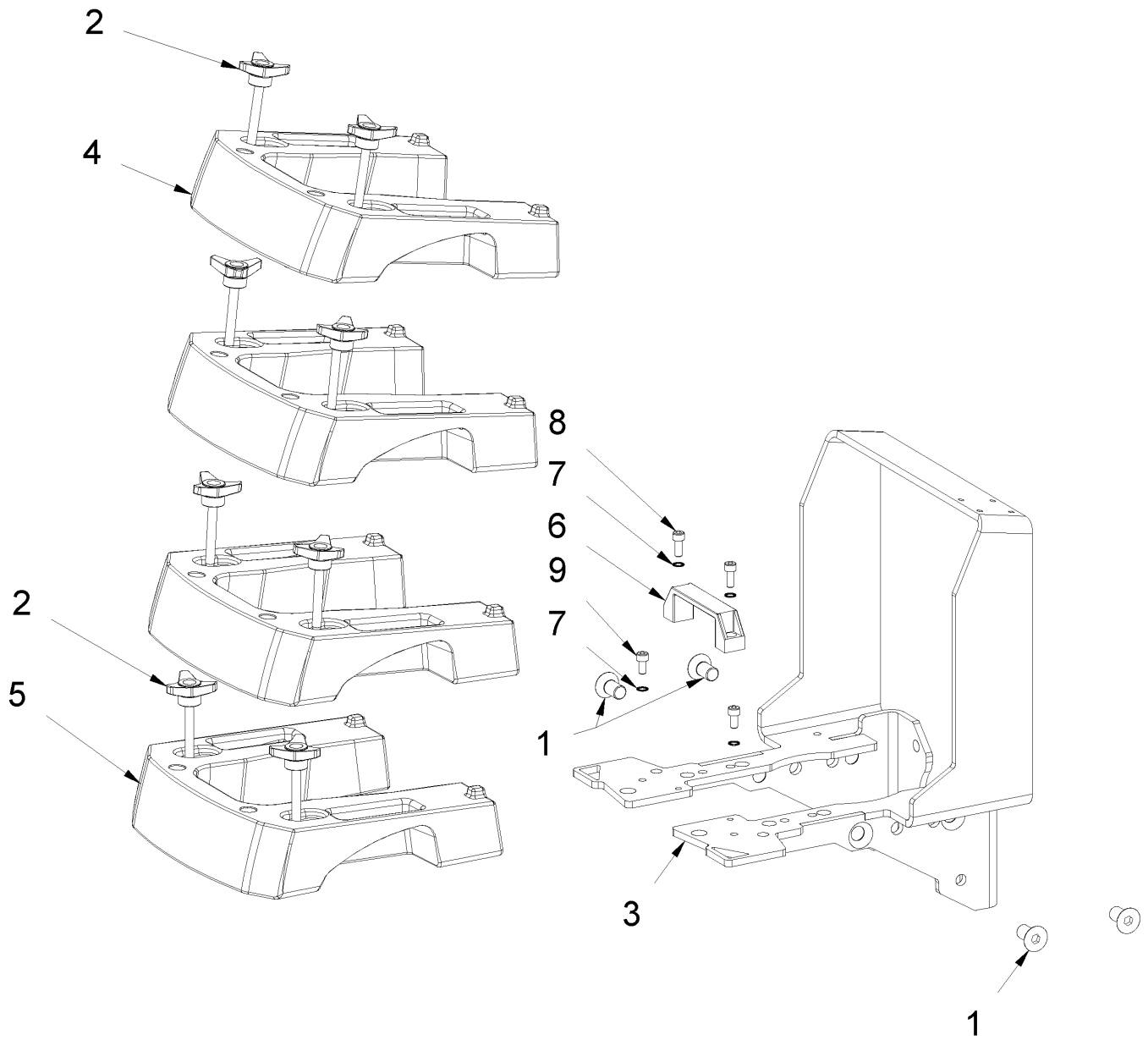
# 4 Front Carriage



## 4 Front Carriage

Item no.	Article no.	Description	Quantity
1	074027	SG Carriage up front Robo-Stripper	1
2	074085	Bushing GFM 3034-16	4
3	017651	Cylinder head screw M8x16 DIN 912	2
5	073947	Flat head screw M10x20 DIN 923	2
6	014829	Washer M10 DIN 125 A	2
7	073876	Washer Transport wheel Robo-Stripper	2
8	014862	Washer M12	2
9	014817	Hexagon nut M10 DIN 985	2
10	014860	Schnorr Washer M8	2
11	014761	Countersunk screw M8x25 DIN 7991 10.9	2
12	083808	Holding devicee cyl.rod Robo-Stripper	1
13	083806	Cylinder head screw M 6x50 12.9 DIN 912	1
14	073996	Transport Wheel cpl. Robo-Stripper	2
15	079861	Safety washer M6	1
16	083807	Holder Cylinder rod SEE 083808	1

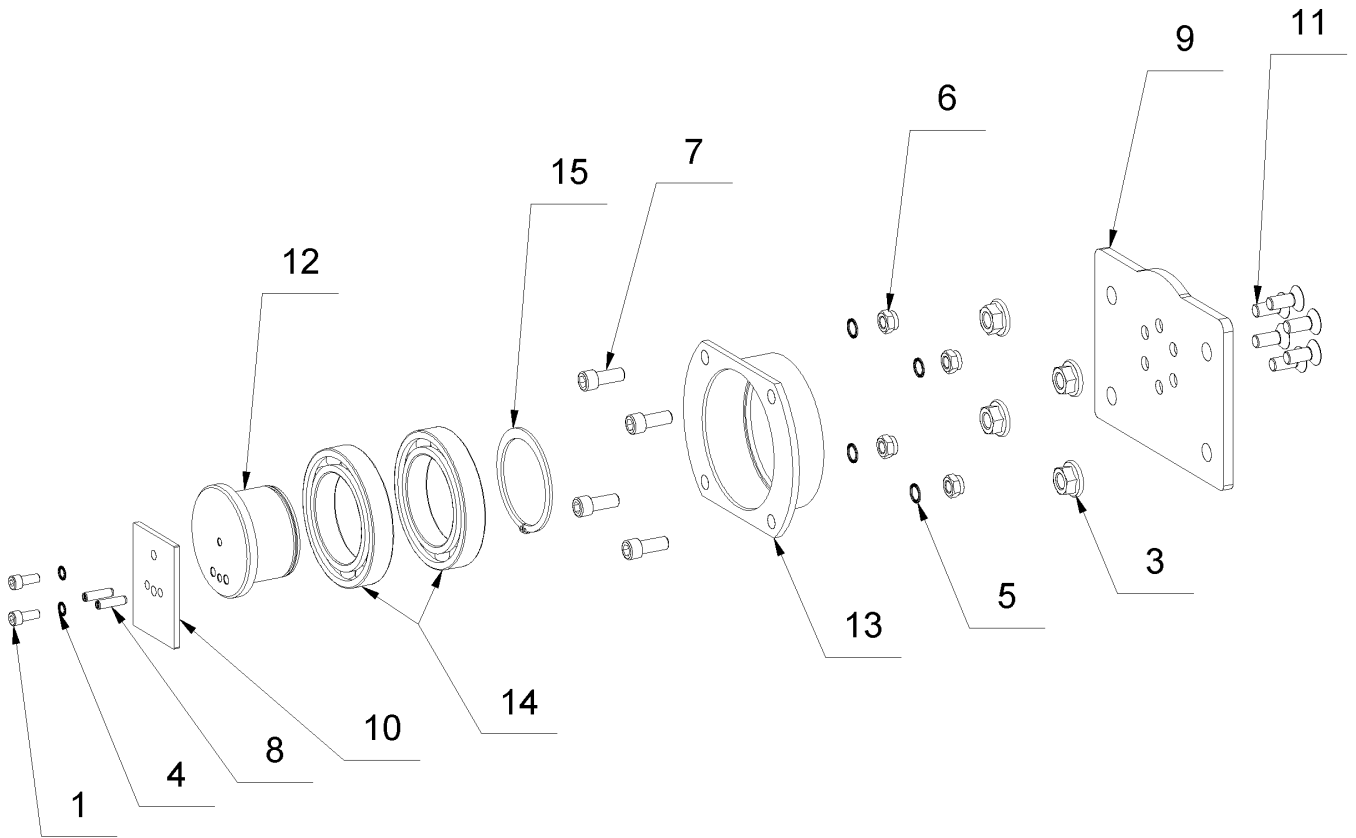
## 5 Front frame+weight



## 5 Front frame+weight

Item no.	Article no.	Description	Quantity
1	073954	Countersunk screw M16x30 DIN 7991 10.9	4
2	074111	Three star screw M10x100 cpl.	8
3	074035	Chassis Impact system Robo-Str.	1
4	074030	Additional weight in front grey RoboStr.	3
5	074029	Additional weight in front RoboStr.green	1
6	014915	Handle/Grip GN528 117mm	1
7	014860	Schnorr Washer M8	4
8	014734	Cylinder head screw M8x20 DIN 912	2
9	017651	Cylinder head screw M8x16 DIN 912	2

# 6 Hinge

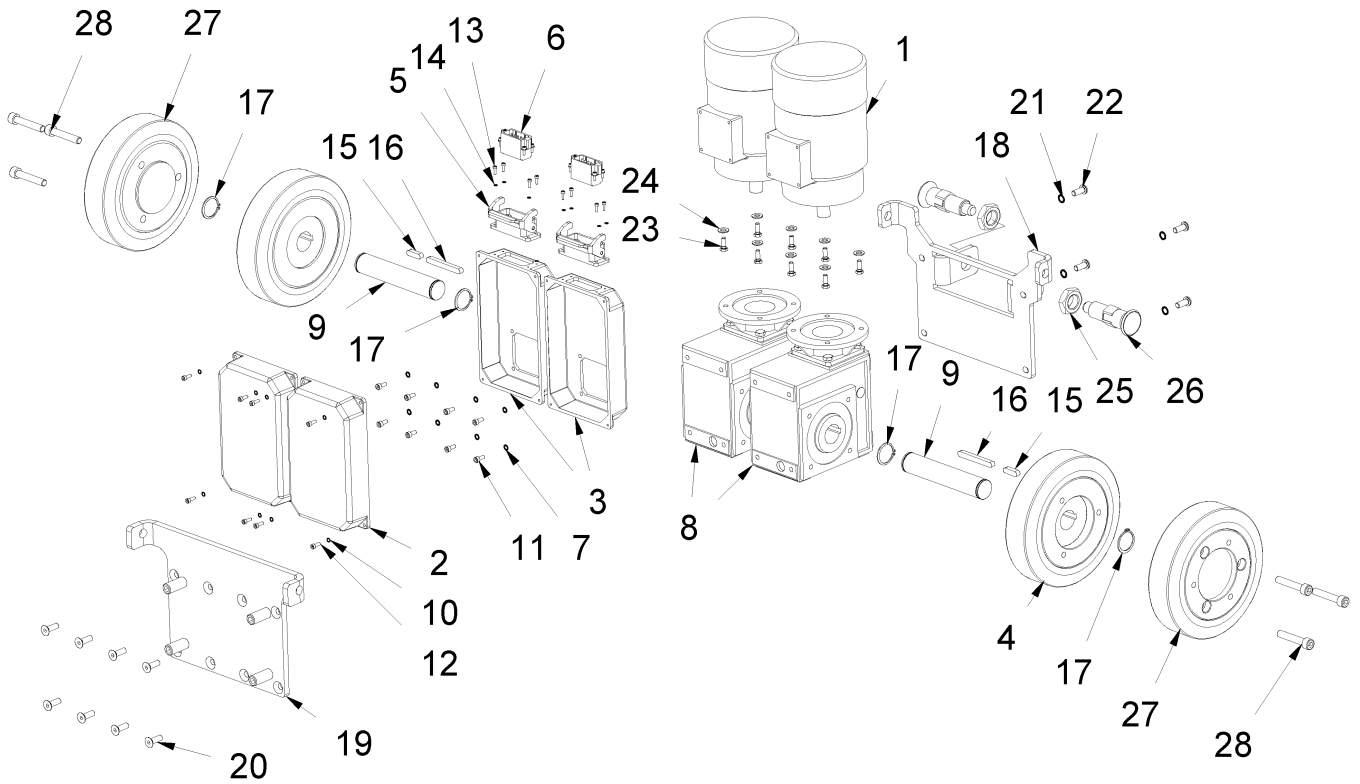


## 6 Hinge

Item no.	Article no.	Description	Quantity
1	014734	Cylinder head screw M8x20 DIN 912	2
3	073952	Locknut M16 DIN 6923	4
4	014860	Schnorr Washer M8	2
5	014862	Washer M12	4
6	018770	El.stop-nut M12 DIN 985	4
7	014744	Cylinder head screw M12x30 DIN 912	4
8	016873	Cylindrical pin 8x30 DIN 7979	2
9	074033	Separating plate Robo-Stripper	1
10	073867	Stop swivel Robo-Stripper	1
11	018333	Countersunk screw M12x30 DIN 7991blank	6
12	073869	Gear shaft Robo-Stripper	1
13	073870	Socket swivel joint Robo-Stripper	1
14	073793	Ball bearing 6017 2RS1	2
15	076749	Safety washer A85 DIN 471	1



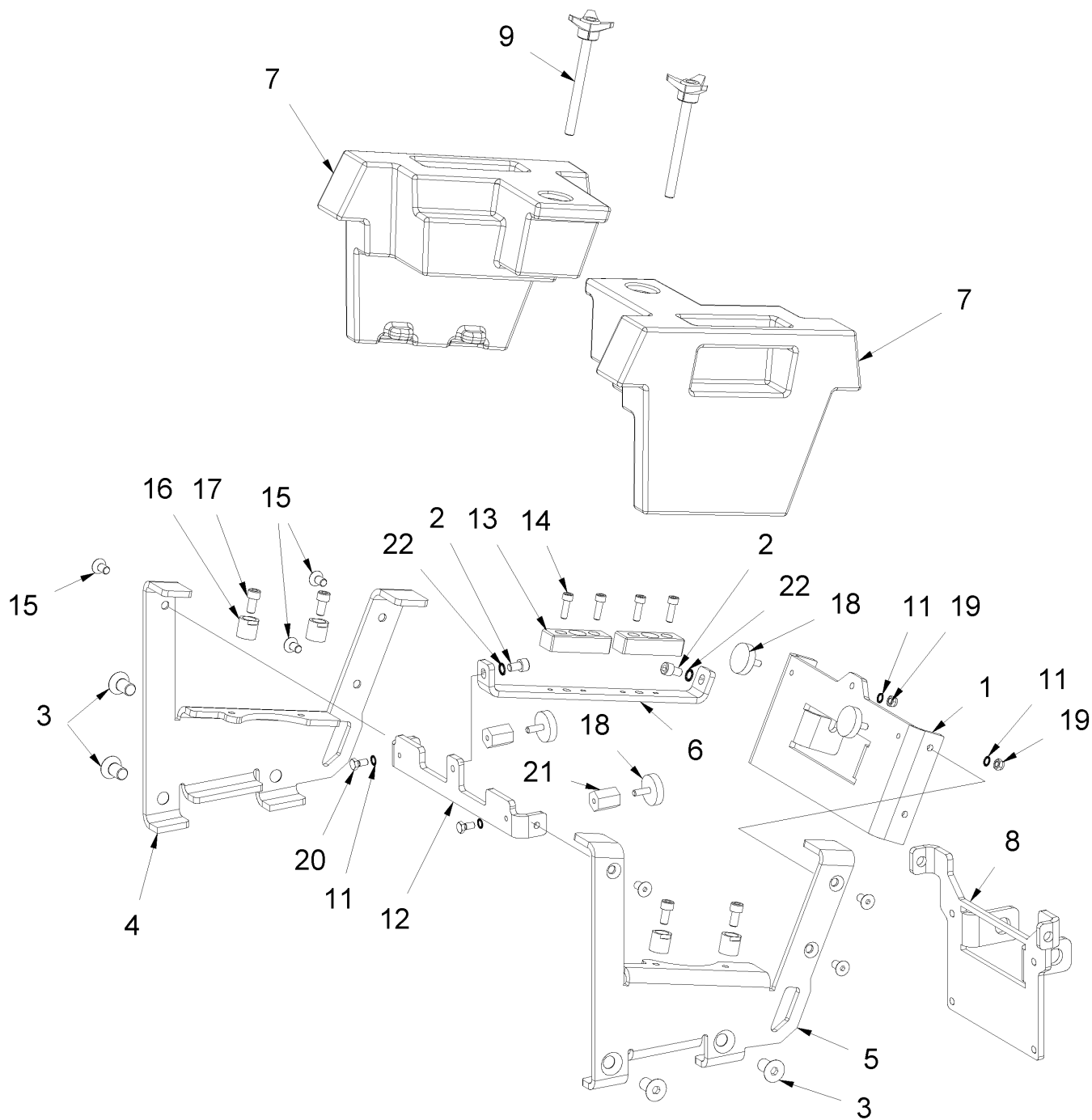
## 7 Drive unit



## 7 Drive unit

Item no.	Article no.	Description	Quantity
1	073859	Motor drive unit Robo-Stripper	2
2	073882	Frequency inverter Robo-Stripper	2
3	073883	Cover Robo-Stripper	2
4	073990	Driving wheel inside cpl. Robo-Stripper	2
5	060032	Housing 10A	2
6	060035	Pin employment 10A/10 polig	2
7	014858	Schnorr washer M5	8
8	073858	Gear Robo-Stripper	2
9	073866	Axle Drive shaft Robo-Stripper	2
10	016961	Snorr washer M4	8
11	017561	Cylinder head screw M5x12 DIN 912	8
12	018284	Cylinder head screw M4x12 DIN 912	8
13	014715	Cylinder head screw M3x10 DIN 912	8
14	017772	Schnorr washer M3	8
15	073948	Nut key 8x7x30 DIN 6885	2
16	073949	Feather key 8x7x70 DIN 6885	2
17	014853	Safety washer A30 DIN 471	4
18	073887	Gear plate behind Robo-Stripper	1
19	073886	Gear plate vorne Robo-Stripper	1
20	014761	Countersunk screw M8x25 DIN 7991 10.9	8
21	014860	Schnorr Washer M8	4
22	047385	Lens head screw M8x20	4
23	014770	Hexagonal screw M 6x16 DIN 933	8
24	014828	Washer M8 DIN 125 A	8
25	072155	Hexagon nut M24x2 DIN 936	2
26	072154	Locking pin size 5 Form C - M24x2 Ø16	2
27	077758	Driving wheel outside Robo-Stripper	2
28	077757	Cylinder head screw M10x55 DIN 912	6

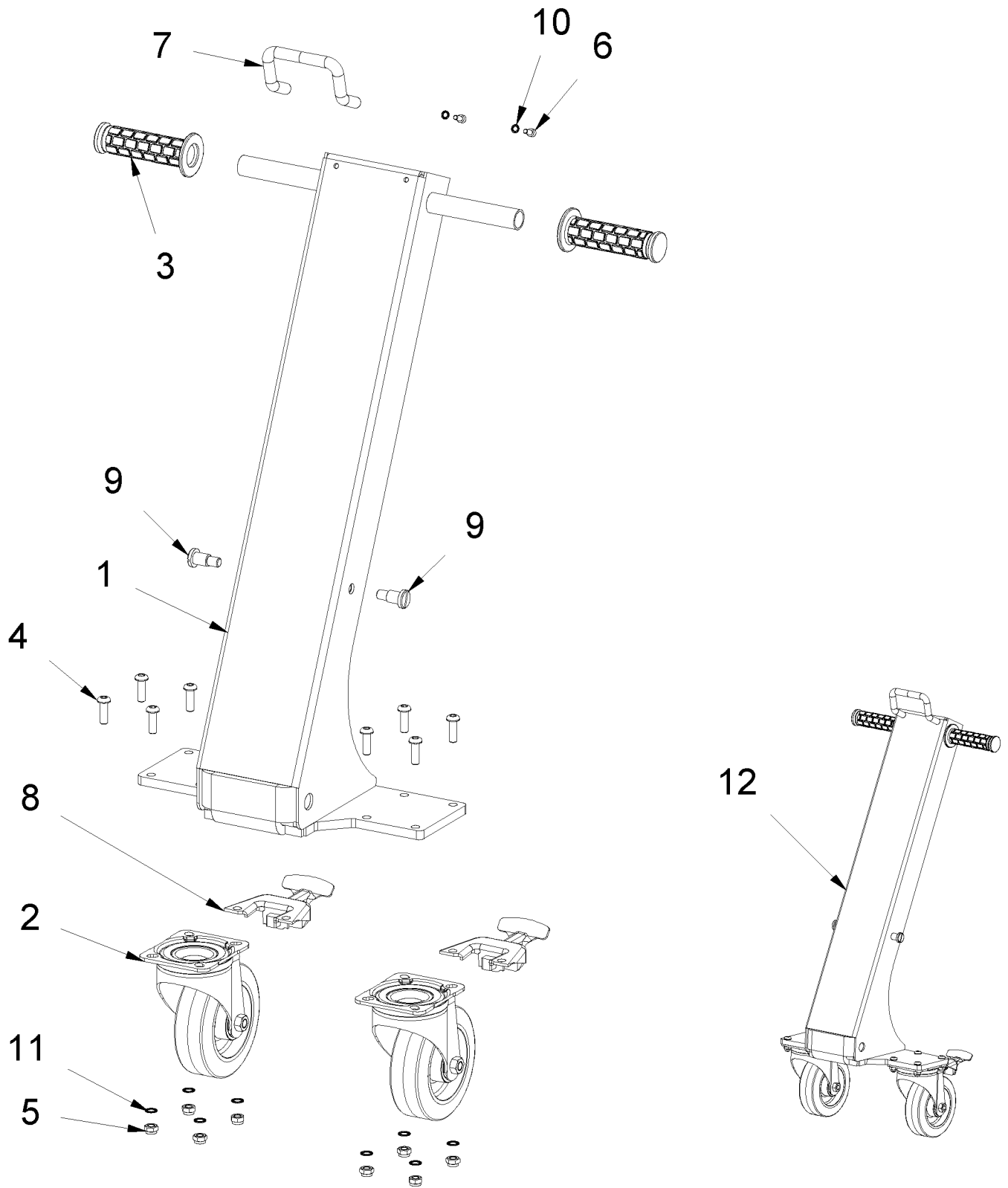
## 9 Rear frame + weight



## 9 Rear frame + weight

Item no.	Article no.	Description	Quantity
1	082736	Rear frame plate Robo Stripper	1
2	014740	Cylinder head screw M10x16 DIN 912 10.9	2
3	073954	Countersunk screw M16x30 DIN 7991 10.9	4
4	082735	Frame drive right Robo Stripper	1
5	082734	Frame drive left Robo Stripper	1
6	082741	Bracket Additional weight rear Robo Str.	1
7	081439	Additional weight Robo 2016	2
8	082737	Rear gear plate Robo Stripper	1
9	084075	Three star screw M 12x130 cpl.	2
11	014860	Schnorr Washer M8	4
12	149263	Cover Frame Drive Robo Stripper	1
13	083445	Additional weight support rear	2
14	014735	Cylinder head screw M8x25 DIN 912	4
15	014762	Countersunk screw M10x20 DIN7991 10.9	6
16	083519	Lateral support for additional weight	4
17	018301	Cylinder head screw M10x20 DIN 912	4
18	032752	Rubber metal buffer 40x10-M8x23 Typ D	4
19	014816	Hexagon nut M8 DIN 985	2
20	018969	Hexagonal screw M 8x 16 DIN 933	2
21	083396	Spacer piece ROBO	2
22	014861	Washer M10	2

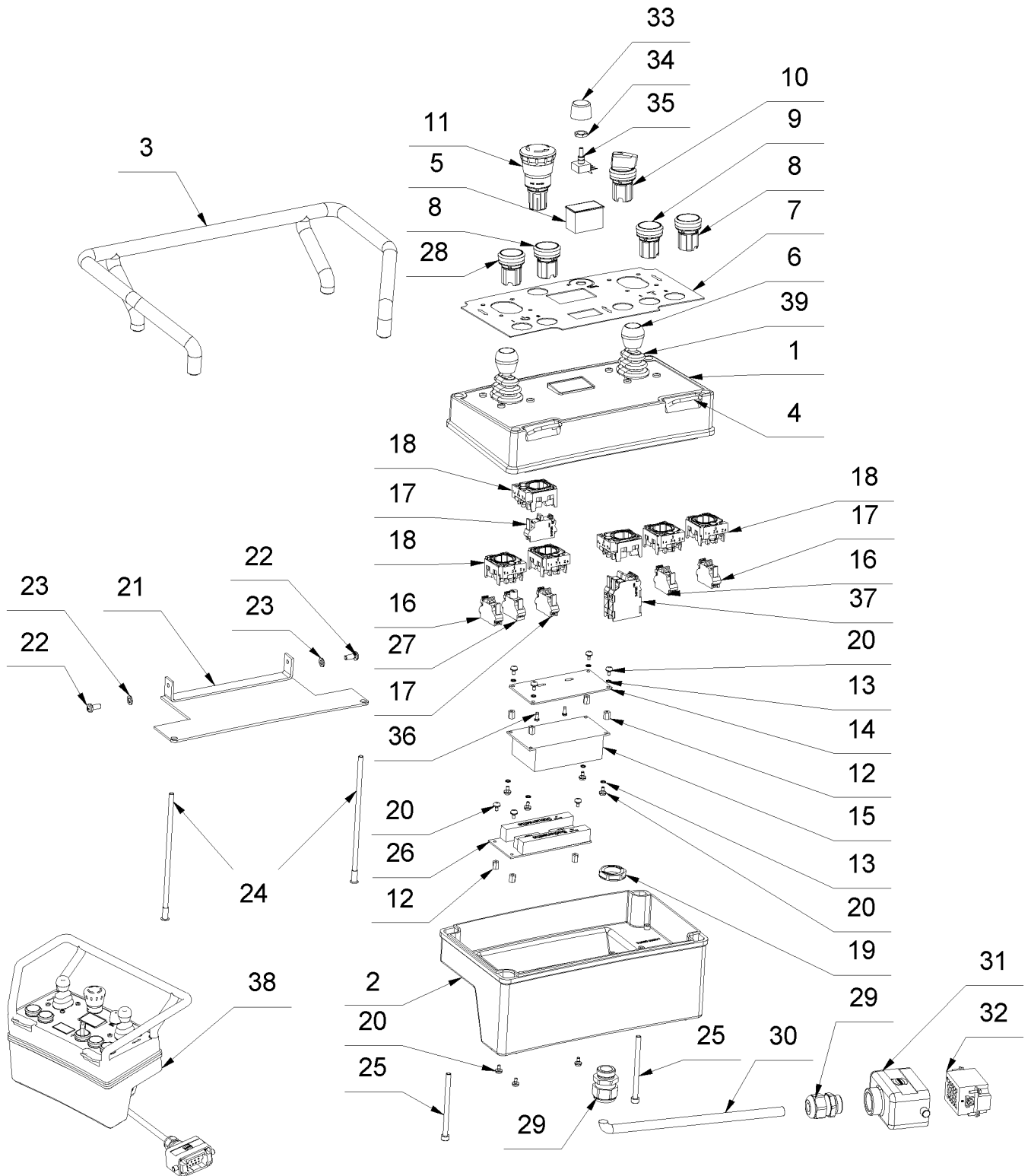
# 10 Handle



## 10 Handle

Item no.	Article no.	Description	Quantity
1	082731	Handel Robo Stripper	1
2	074095	Steer roll Robo-Str.	2
3	073574	Grip covering Ø22mm	2
4	036272	Lens head screw M 8x25	8
5	014816	Hexagon nut M8 DIN 985	8
6	017561	Cylinder head screw M5x12 DIN 912	2
7	074094	Machine handle angled	1
8	074096	Direction locking brake Robo-Str.	2
9	072156	Flat head screw M10x16 DIN 923	2
10	014858	Schnorr washer M5	2
11	014860	Schnorr Washer M8	8
12	083140	Handle S004 Robo Stripper	1

# 11 Cockpit



## 11 Cockpit

Item no.	Article no.	Description	Quantity
1		Cover	1
2		Lower part	1
3	084790	Reeling	1
4		Belt attachment	2
5		Voltmeter	1
6	010432	Grip ball Control cockpit Robo	2
7	086042	Front panel	1
8	085934	Pushbutton 22mm round red	2
9	085935	Pushbutton 22mm round green	1
10	085940	Toggle switch 22mm round	1
11	085938	Emergency Pushbutton 22mm round red	1
12	075473	Distance bolt Robo-Str.	7
13	017772	Schnorr washer M3	8
14	075026	Adapter plate power pack Robo-Str.	1
15	074936	Power supply 24V Robo-Str.	1
16	085930	Contact element 1S	2
17	085929	Contact element 1Ö	3
18	085928	Holder contact element	6
19	047935	Nut PE M20x1,5	1
20	017555	Lens head screw M3x6	14
21		Cover plate at the bottom	1
22		Slotted pan-head bolt	2
23		Washer	2
24		Lens head bolt	2
25		Cylinder head screw	2
26	076596	Control board Serie Robo-Stripper	1
27	085932	LED module green	1
28	085936	Pushbutton lighted 22mm round green	1
29	051948	Cable gland M20x1.5	2
30	074390	Control cable pedestal Robo-Str.	1
31	074062	Housing for grommet M20 Robo-Str.	1
32	074067	Pin insertion Robo-Str.	1
33		Knob	1
34		Nut for Poti	1

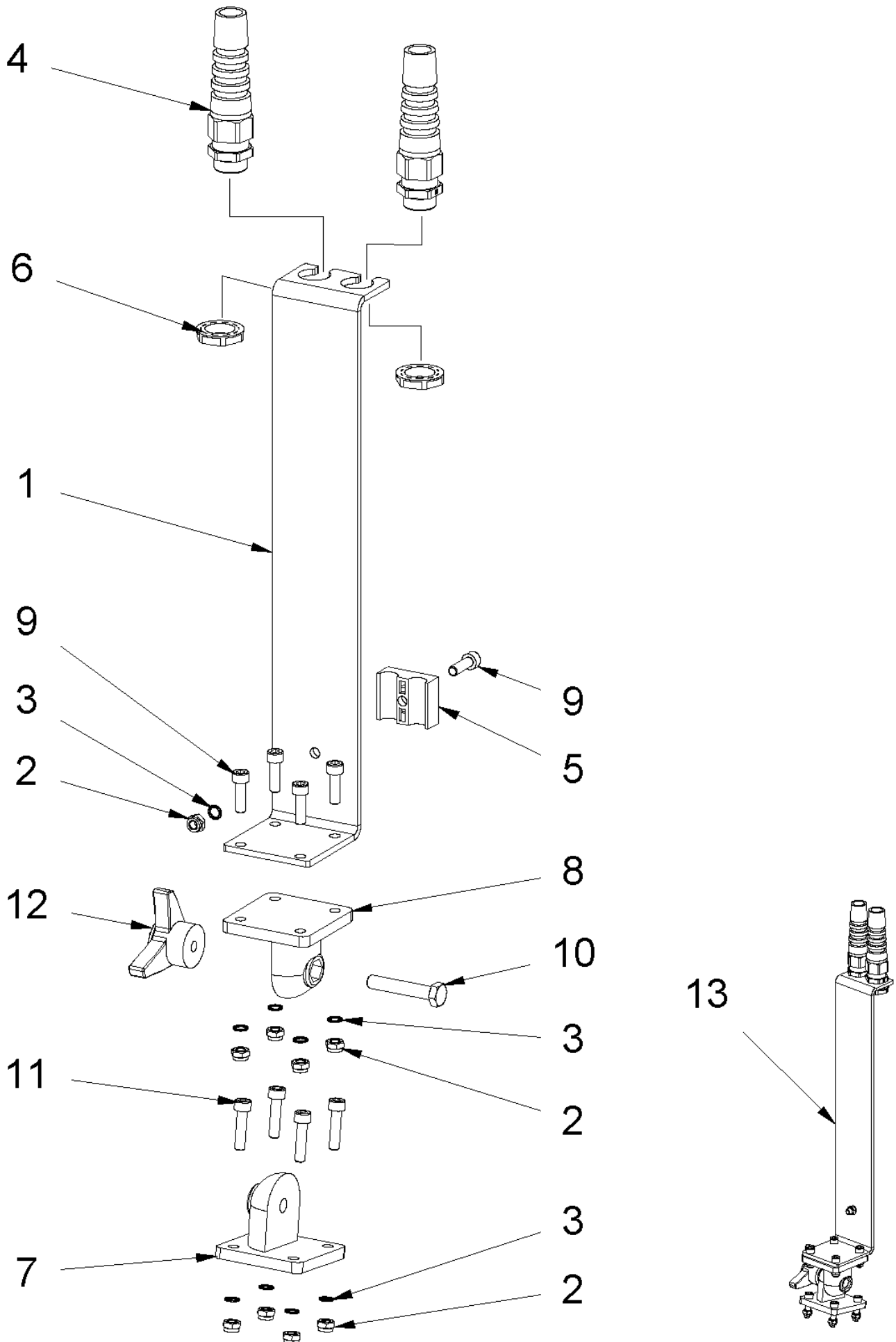


## 11 Cockpit

---

Item no.	Article no.	Description	Quantity
35		Potentiometer	1
36	075529	Lens head screw 3x 8	2
37	085933	Contact element 2S	2
38	078815	Operating panel Serie foreign cpl.RoboSt	1
39	076989	Spur gear Robo-Str.	2

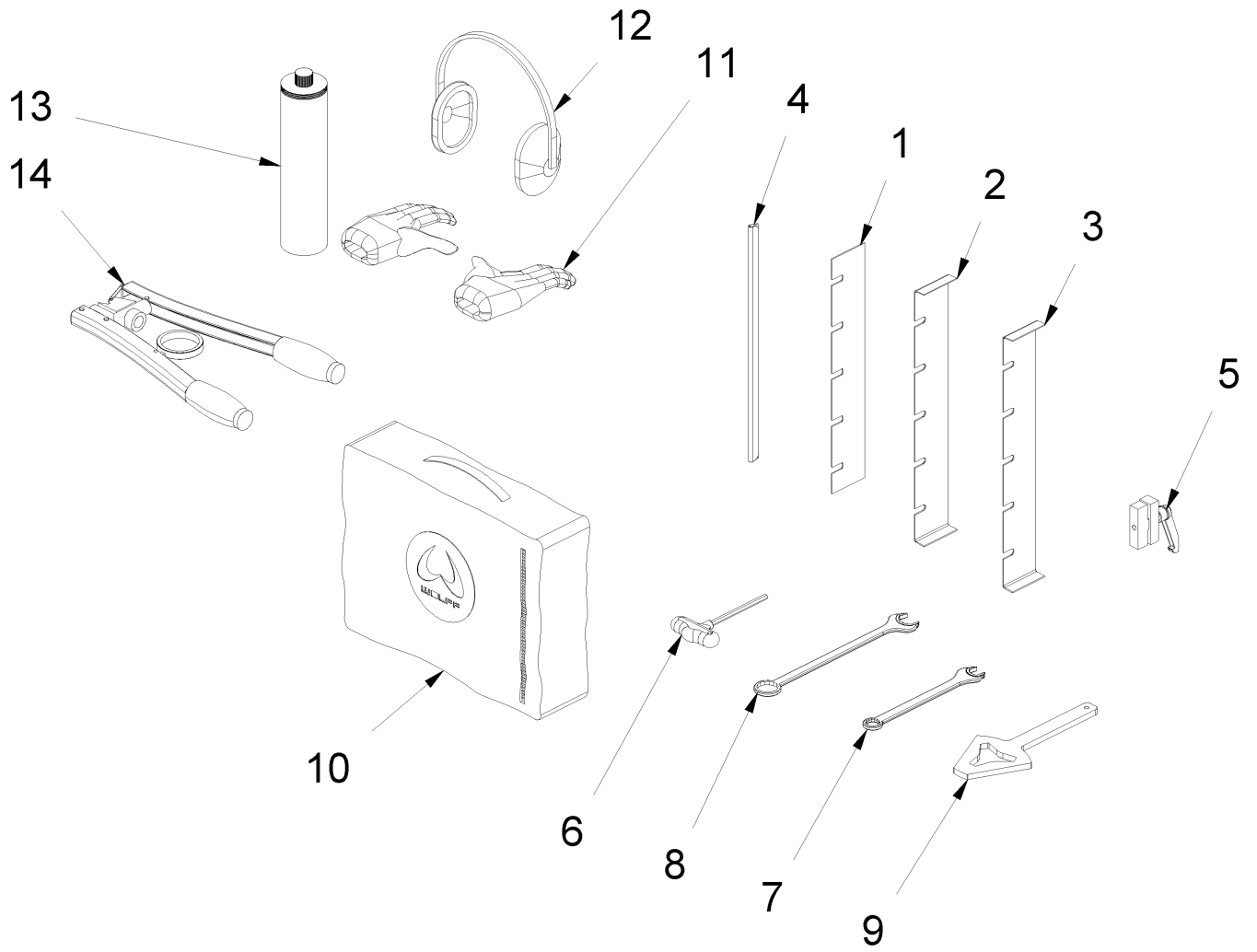
## 12 Cable extension



## 12 Cable extension

Item no.	Article no.	Description	Quantity
1	082740	Kabelausleger Arm ROBO-Stripper	1
2	014815	Hexagon nut M6 DIN985	9
3	014859	Schnorr washer M6	9
4	039190	Screw connection w.bending prot.M20x1,5	2
5	083111	Double clamp	1
6	047935	Nut PE M20x1,5	2
7	083057	Clamp connector GN 272-40-AV-BL	1
8	083056	Clamp connector GN 272-40-IV-BL	1
9	014752	Cylinder head screw M6x20DIN 912 microve	5
10	018157	Hexagonal screw M 8x 45 DIN 931	1
11	062929	Cylinder head screw M6x 25 DIN 6912	4
12	083141	Treestar Grip M8	1
13	083169	Cable cantilever Robo Stripper	1

# 13 Tool kit



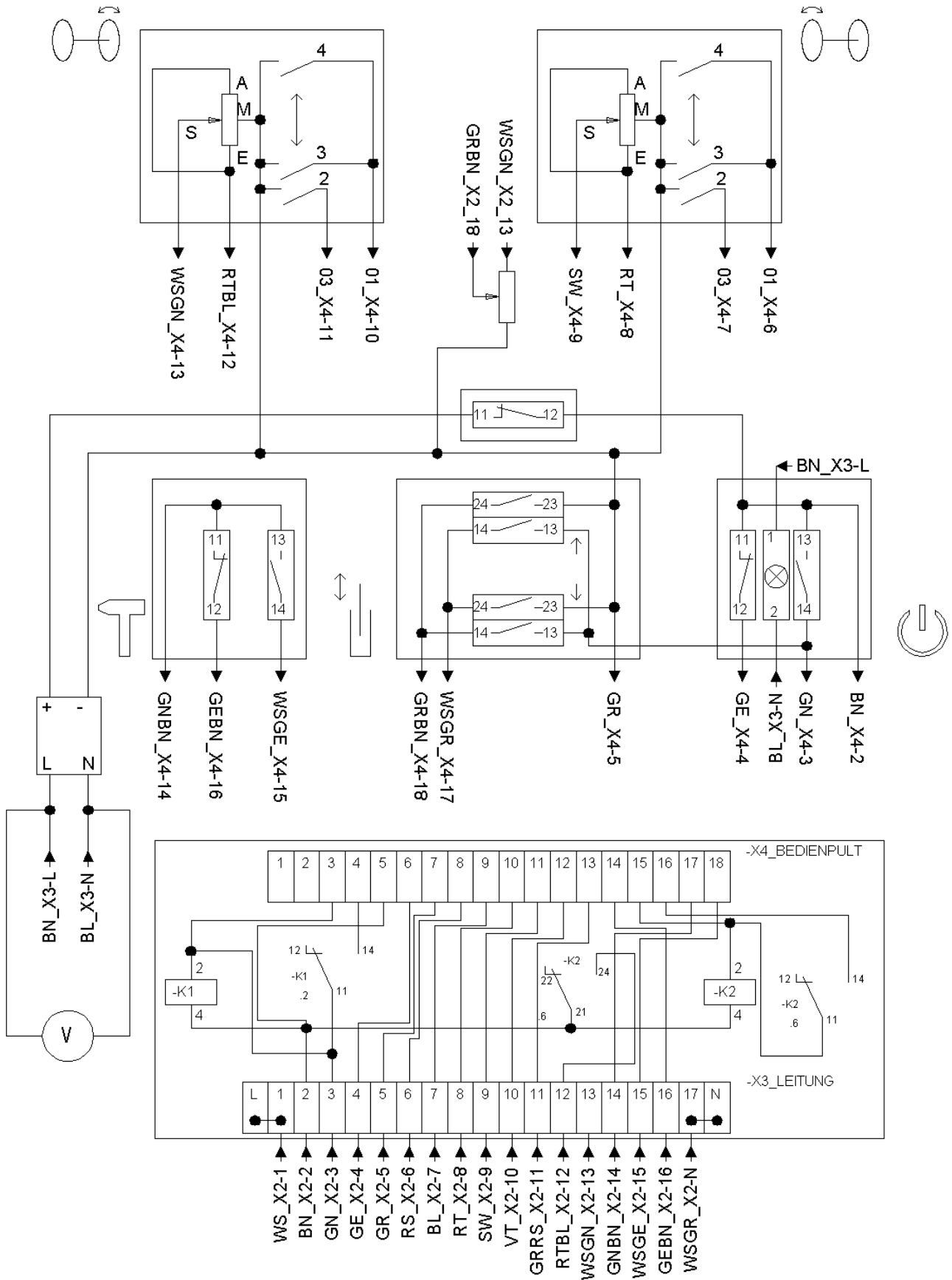
## 13 Tool kit

Item no.	Article no.	Description	Quantity
1	013979	Spare blades, 350 x 60 x 1,5 mm, 10 pcs.	1
2	038933	U-Blade 350mm bottom cutting edge	1
3	013983	U-Blade 350mm top cutting edge	1
4	017647	Blade protection 350mm	1
5	080274	Twist lock set cpl. Robo-Str.	1
6	019141	T-handle 6-kt SW 6	1
7	074288	Arturo PU2060 A/B NCS S2070-Y90R 1kg	1
8	074284	Ring end wrench SW24	1
9	074069	Key three star attacked Robo-Str.	1
10	054064	Tool bag green - Wolff	1
11	015809	Safety gloves 1 pair	1
12	015315	Hearing protectors	1
13	087733	Lagermeister WHS 2002 500g SR-cartridge	1
14	087466	Two-hand grease gun SEE 176568	1

## 14 Accessory

Article no.	Description	Quantity
013978	Spare blades, 350 x 60 x 1,0 mm, 10 pcs.	1
013979	Spare blades, 350 x 60 x 1,5 mm, 10 pcs.	1
013980	Spare blades, 200 x 60 x 1,5 mm, 10 pcs.	1
013981	Spare blades, 150 x 60 x 1,5 mm, 10 pcs.	1
013982	Spare blade, 350 x 120 x 1,5 mm	1
013983	U-Blade 350mm top cutting edge	1
038933	U-Blade 350mm bottom cutting edge	1
039362	Special blade, heavy type, 350 mm	1
036690	Extension cord 3G1,5x10 black Schuko	1
074215	Conv.kit Twin wheels cpl. Robo (1 pair)	1
082333	Deflector and striker 450mm	1
075006	Spare blades, 450x120x1,5mm 5Stk/VE	1
075007	Spare blades, 450x60x1,5mm	1
075010	U-Blade 450 cut is above Robo VE/2St	1
075011	U-Blade 450 Cut down Robo VE/2St	1
080359	Parquet knife 350x150x3 cpl.	1
080358	Parquet knife 350x150x3toothed w.def cpl	1
079634	Parquet knife 350x150x3	1
079635	Parquet blade 350x150x3 toothed	1

# 15 Circuit diagram Cockpit

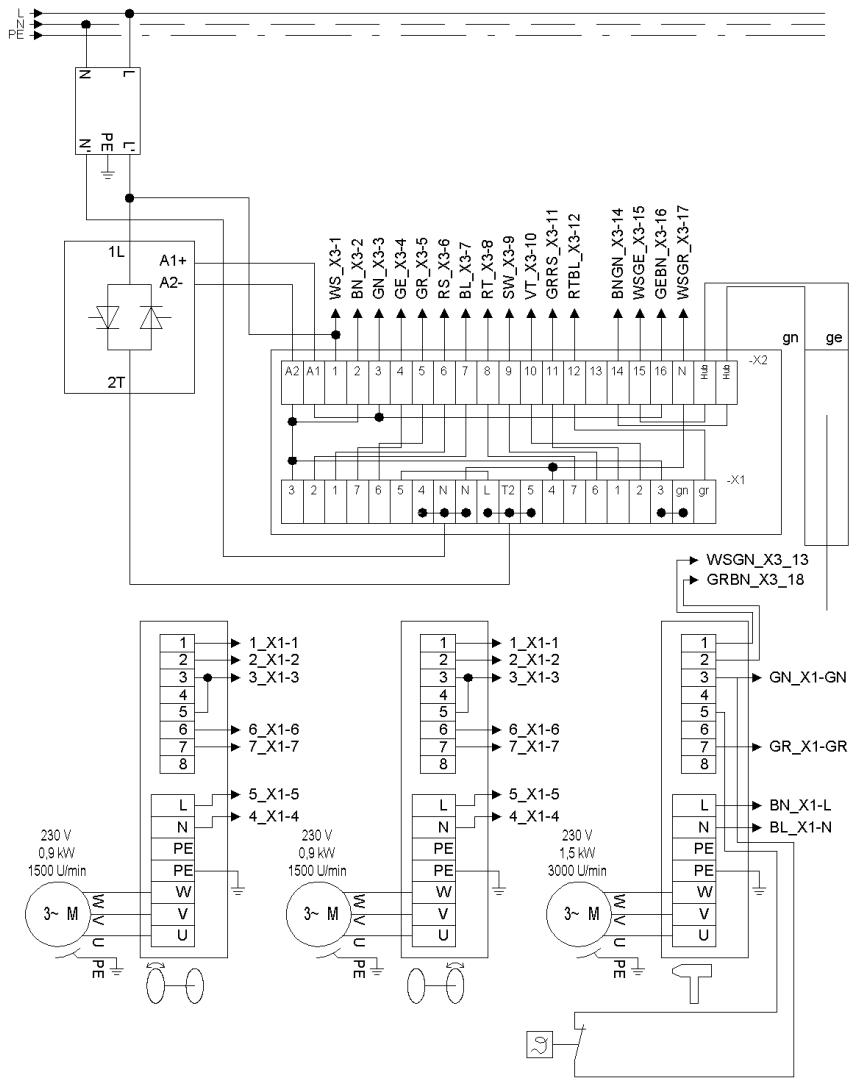


## 15 Circuit diagram Cockpit

---



# 16 Circuit diagram Drive unit



## 16 Circuit diagram Drive unit

---