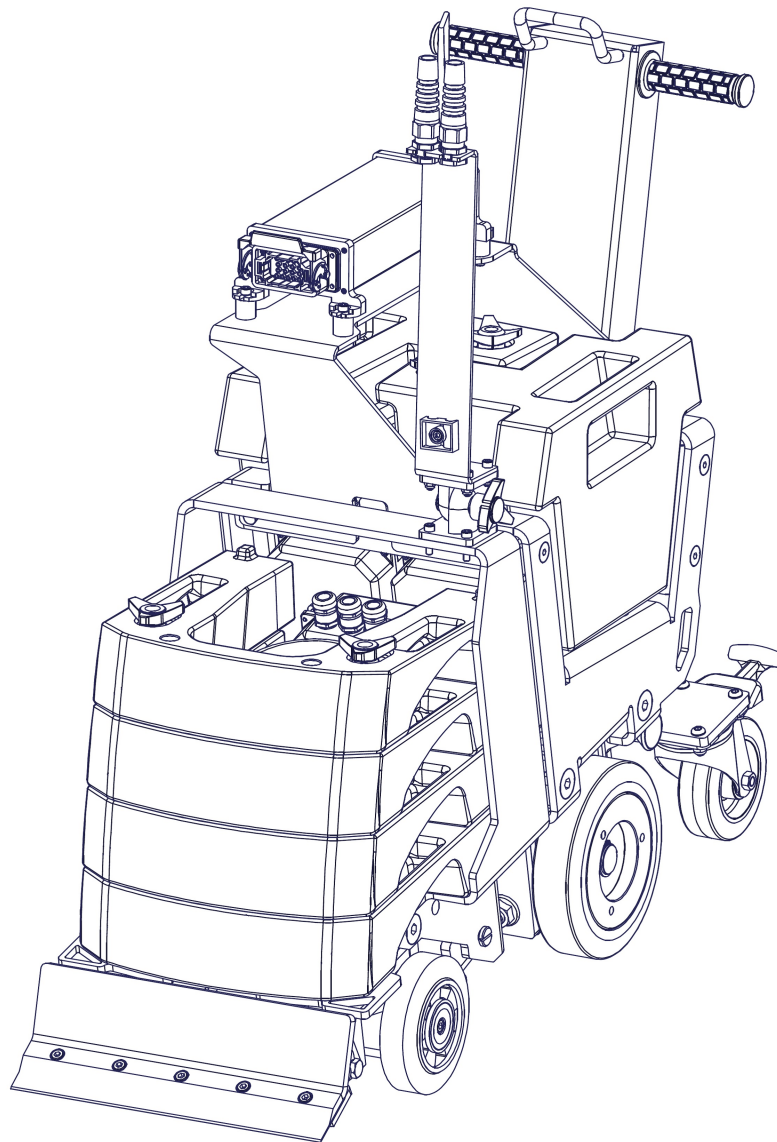




## spare parts list Robo 230V RC

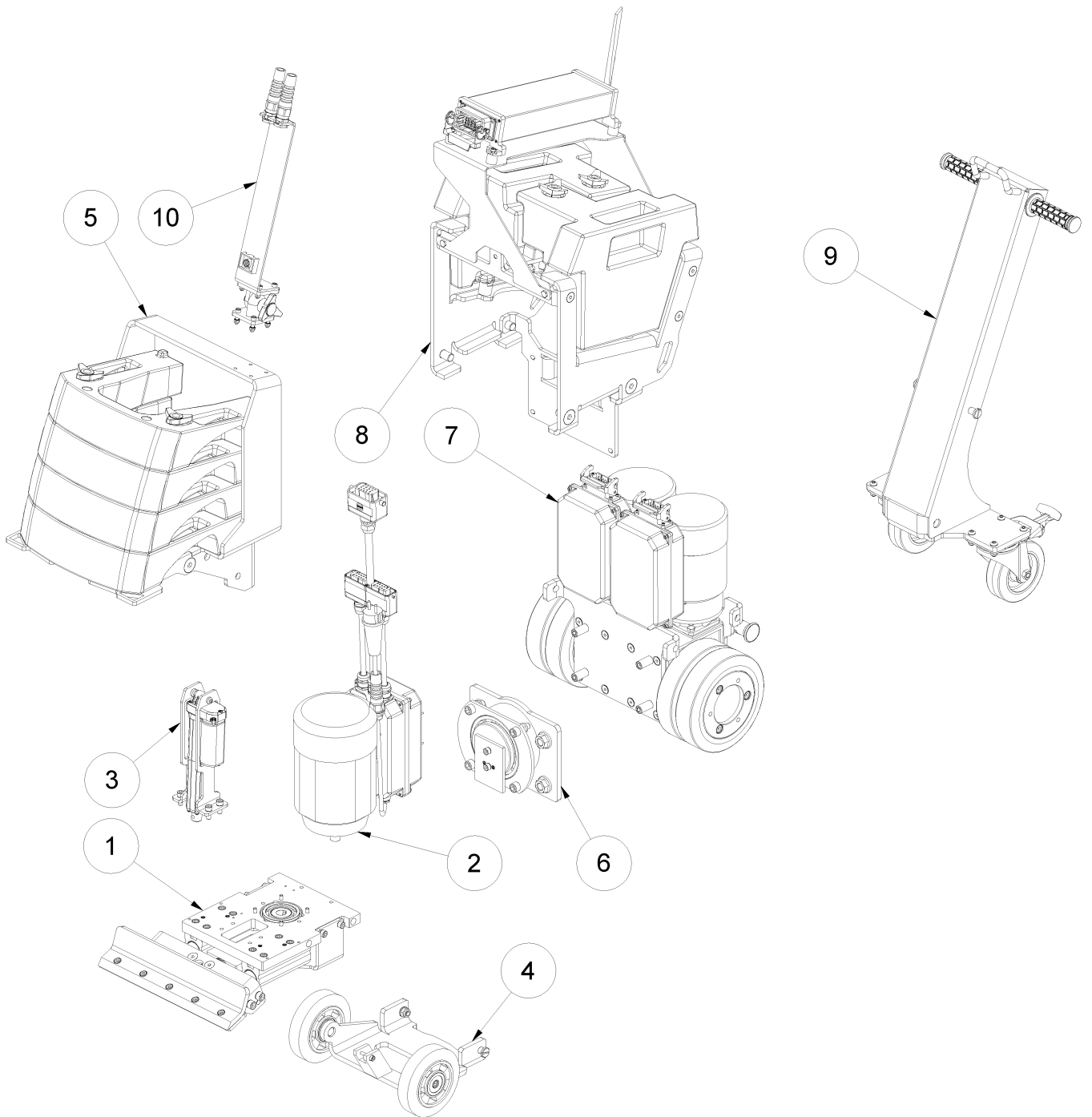


## Table of contents

---

Robo 230V RC (0001/2021-heute)	3
1 Impact	5
2 Impact motor	8
3 Actuator	11
4 Front Carriage	13
5 Front frame+weight	15
6 Hinge	17
7 Drive unit	19
8 Rear frame + weight	21
9 Handle	23
10 Cable extension	25
10 Cable extension new	27
11 Tool kit	29
12 Accessory	31
13 Circuit diagram Drive unit	32

# Robo 230V RC (0001/2021-heute)

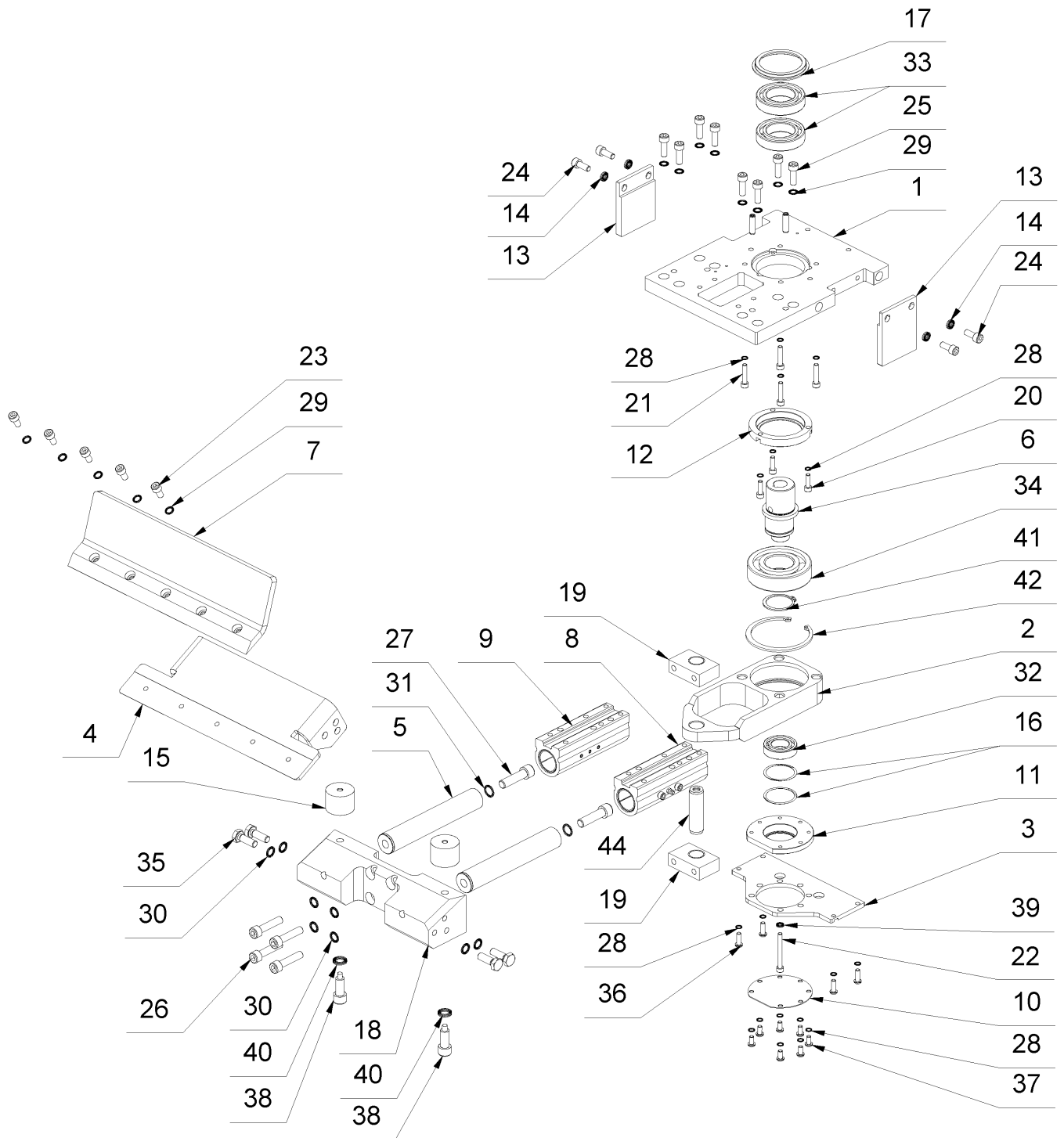


## Robo 230V RC (0001/2021-heute)

---

Item no.	Article no.	Description
1	05_01_073888	Impact
2	06_02_163420	Impact motor
3	01_03_073888	Actuator
4	04_04_073888	Front Carriage
5	01_05_073888	Front frame+weight
6	01_06_073888	Hinge
7	04_07_073888	Drive unit
8	06_09_073888	Rear frame + weight
9	04_10_083140	Handle
10	04_12_083169	Cable extension
10	01_01_175810	Cable extension new
11	05_13_074330	Tool kit
12	01_14_073888	Accessory
13	04_16_073888	Circuit diagram Drive unit

# 1 Impact



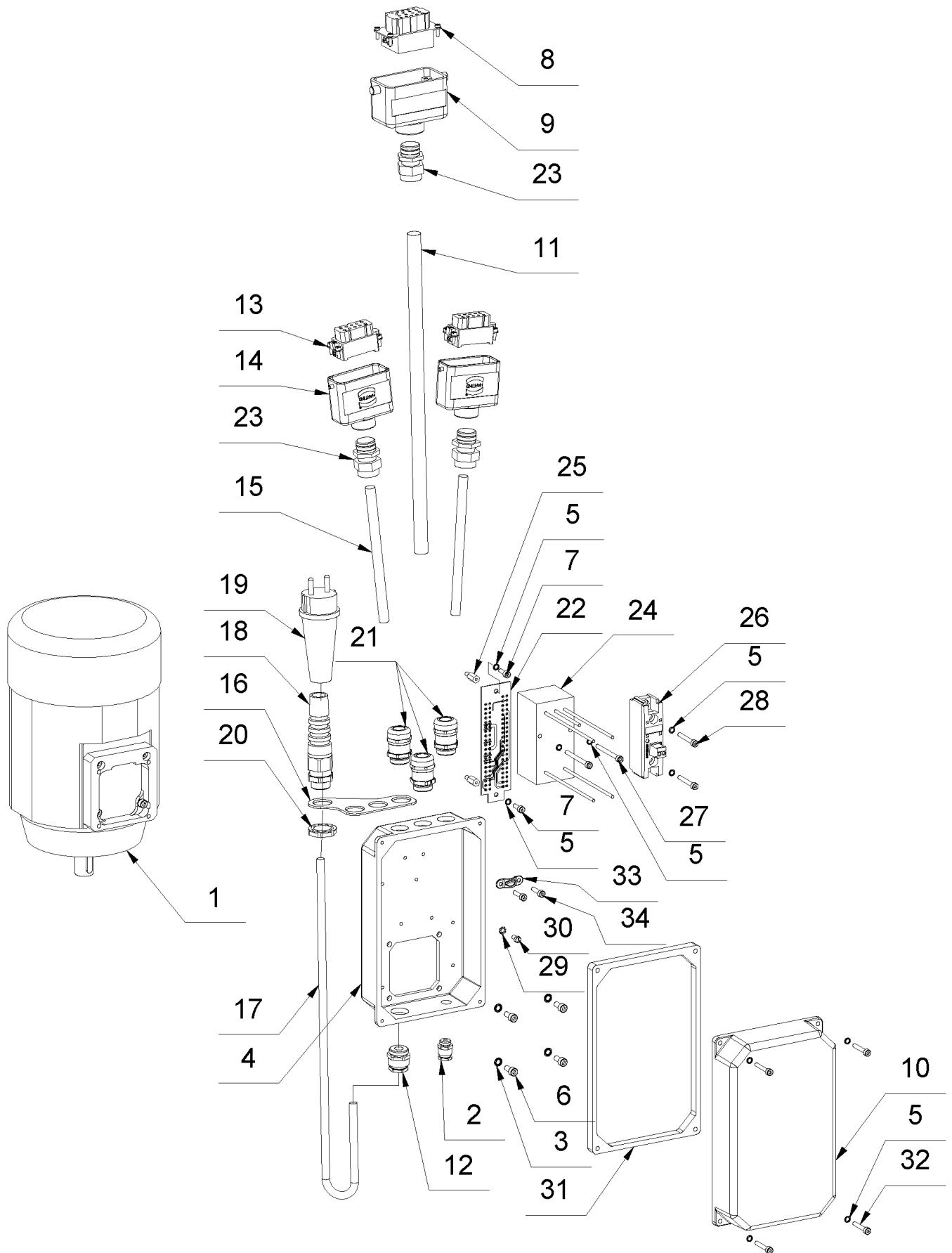
# 1 Impact

Item no.	Article no.	Description	Quantity
1	089134	Base support Robo-Stripper S005	1
2	089127	Connecting rod S005 for bearing Robo	1
3	089097	Cross plate Bearing bracket Robo-Strippe	1
4	089234	Striker Foot Casting 350 Robo S005	1
5	015132	Guide sleeve round Turbo/Bau	2
6	089126	Eccentric shaft for bearing Robo	1
7	089128	Deflector oscillator with adjustm. Robo	1
8	089179	Guide sleeve square left compl. Robo	1
9	089175	Guide sleeve DX square right compl.Robo	1
10	074072	Sheet metal shielding Robo-Stripper	1
11	073871	Drive hub plate Robo-Stripper	1
12	074938	Storage disk Robo-Str	1
13	089196	Plate Storage console Robo-Stripper	2
14	079873	Safety washer M8 LL	4
15	077748	Rubber stop Ø40x30-M8	2
16	089271	Ball bearing compensat disc 40X46,5x0,4	2
17	074939	Disk Robo-Str	1
18	089124	Oscillator with angle adjuster.Robo 2019	1
19	087728	Connecting rod bearing complete BiTurbo	2
20	014730	Cylinder head screw M 6x20 DIN 912	3
21	017678	Cylinder head screw M6x30 DIN 912	4
22	018261	Cylinder head screw M6x55 DIN 912	1
23	017651	Cylinder head screw M8x16 DIN 912	5
24	014734	Cylinder head screw M8x20 DIN 912	4
25	014735	Cylinder head screw M8x25 DIN 912	8
26	014741	Cylinder head screw M10x45 DIN 912	4
27	034222	Cylinder head screw M12x45 DIN 912	2
28	014859	Schnorr washer M6	18
29	014860	Schnorr Washer M8	13
30	014861	Washer M10	8
31	014862	Washer M12	2
32	014704	Ball-bearing 6005 2RSH	1
33	014706	Ball-bearing 6008 2RS1 C3	2
34	087781	Ball bearing 6308-2RS1/C3	1

## 1 Impact

Item no.	Article no.	Description	Quantity
35	018156	Hexagonal screw M10x 30 DIN 933	4
36	089242	Lens head screw M6x30 ISO 7380	4
37	017553	Lens head screw M6x12	7
38	087870	Special screw rubber buffer BiTurbo	2
39	079861	Safety washer M6	1
40	088646	Safety washer M12	2
41	087772	Looking ring A40 DIN 471	1
42	087774	Circlip I90 DIN 472	1
43	016873	Cylindrical pin 8x30 DIN 7979	2
44	074051	Cylindrical pin 20x70 DIN 7979	1

## 2 Impact motor





## 2 Impact motor

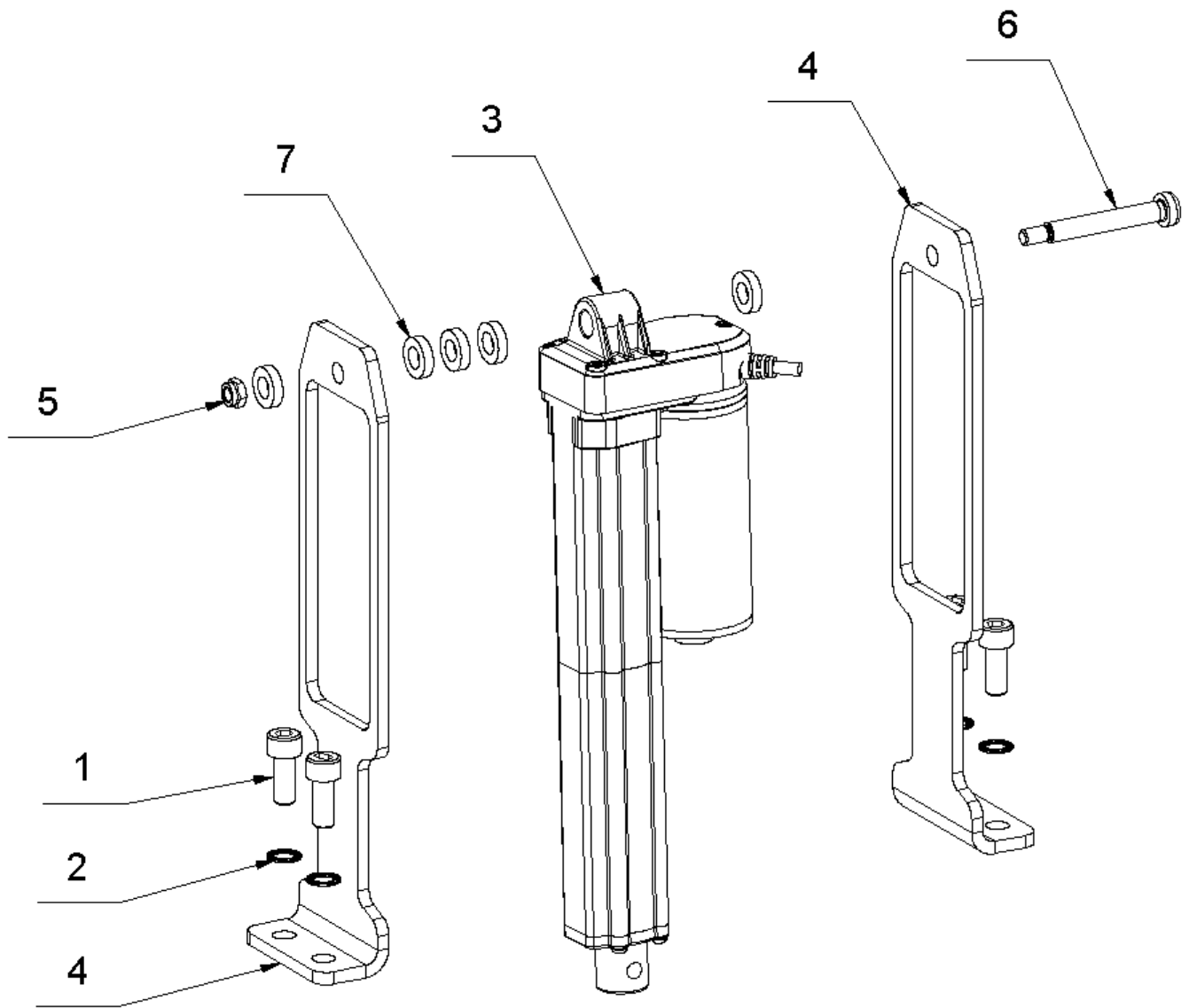
Item no.	Article no.	Description	Quantity
1	164248	Impact motor Kuenle with flange	1
2	074065	Cable connection M12x1,5	1
3	014858	Schnorr washer M5	4
4	074001	Cover Control unit Robo-Stripper	1
5	016961	Snorr washer M4	10
6	017561	Cylinder head screw M5x12 DIN 912	4
7	018284	Cylinder head screw M4x12 DIN 912	2
8	074066	Bushing insert Robo-Str.	1
9	074062	Housing for grommet M20 Robo-Str.	1
10	076872	Frequency converters Impact syst.Robo	1
11	163418	Control cable Wireless remote control	1
12	074064	Cable connection SKINDICHT M20x1,5	1
13	060034	Bush insert 10A/10 polig	2
14	060033	Housing 10A	2
15	074391	Control line frequency inverter Robo-Str	2
16	074084	Supporting plate Power cord Robo-Str.	1
17	074394	El.cord 3G2,5 <sup>2</sup> x without plug Robo-Str.	1
17	169992	Supply cable 3G2,5 <sup>2</sup> 1,1m wo.plug Robo-RC	1
18	039190	Screw connection w.bending prot.M20x1,5	1
19	039203	Plug grey	1
20	047935	Nut PE M20x1,5	1
21	076883	Bolt joint SKINTOP M20x1,5 EMV	3
22	076956	Distributor board Serie Robo-Str.	1
23	051948	Cable gland M20x1.5	3
24	076832	Condenser to screen Robo-Str.	1
25	076899	Distance bolt M4x12 Robo-Str.	2
26	077574	Semiconductor relays Robo-Str.	1
27	017684	Cylinder head screw M4x45 DIN 912	2
28	018281	Cylinder head screw M4x30 DIN 912	2
29	017663	Tooth lock washer 4.3 Form A DIN 6797	1
30	017473	Cylinder head screw M4x8 DIN 84 brass	1
31	079644	Intermediate frame RoboStr	1
32	018282	Cylinder head screw M 4x25 DIN 912	4
33	015211	Cable clamp Motor Duro 2.0	1

## 2 Impact motor

---

Item no.	Article no.	Description	Quantity
34	017743	Cylinder head screw M4x16 DIN 912	2
o.Abb.	076765	Cable set Frequency inverter Robo-Str.	1

### 3 Actuator



### 3 Actuator

---

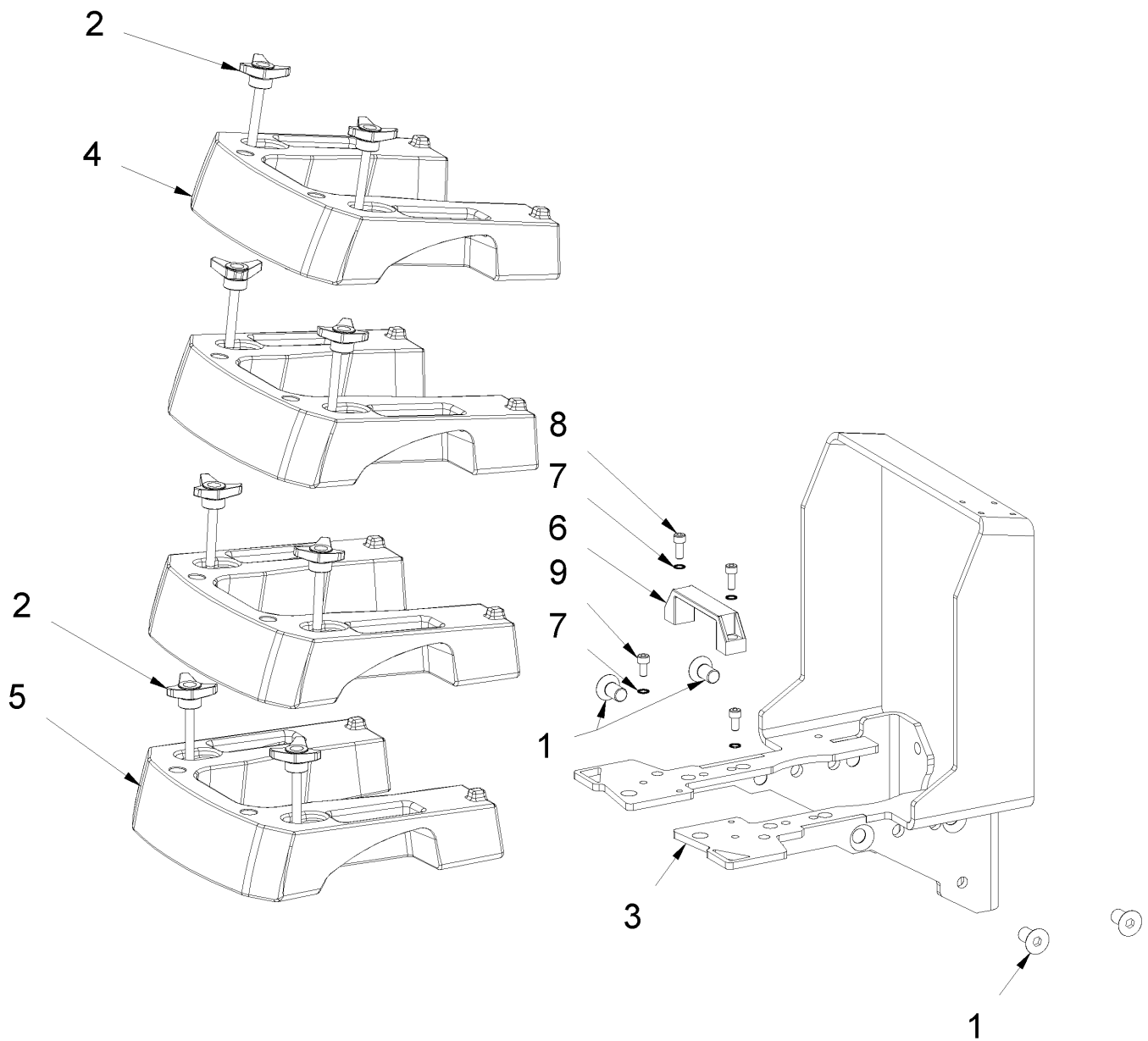
Item no.	Article no.	Description	Quantity
1	014734	Cylinder head screw M8x20 DIN 912	4
2	014860	Schnorr Washer M8	4
3	074088	Electric cylinders Robo-Str.	1
4	074021	Holder stroke cylinders Robo-Stripper	2
5	014815	Hexagon nut M6 DIN985	1
6	073944	Fitting bolt M6xØ8x50 ISO 7379	1
7	074217	Distance ring 8,5x16x4 black	5



## 4 Front Carriage

Item no.	Article no.	Description	Quantity
1	074027	SG Carriage up front Robo-Stripper	1
2	074085	Bushing GFM 3034-16	4
3	017651	Cylinder head screw M8x16 DIN 912	2
5	073947	Flat head screw M10x20 DIN 923	2
6	014829	Washer M10 DIN 125 A	2
7	073876	Washer Transport wheel Robo-Stripper	2
8	014862	Washer M12	2
9	014817	Hexagon nut M10 DIN 985	2
10	014860	Schnorr Washer M8	2
11	014761	Countersunk screw M8x25 DIN 7991 10.9	2
12	083808	Holding devicee cyl.rod Robo-Stripper	1
13	083806	Cylinder head screw M 6x50 12.9 DIN 912	1
14	073996	Transport Wheel cpl. Robo-Stripper	2
15	079861	Safety washer M6	1
16	083807	Holder Cylinder rod SEE 083808	1

## 5 Front frame+weight

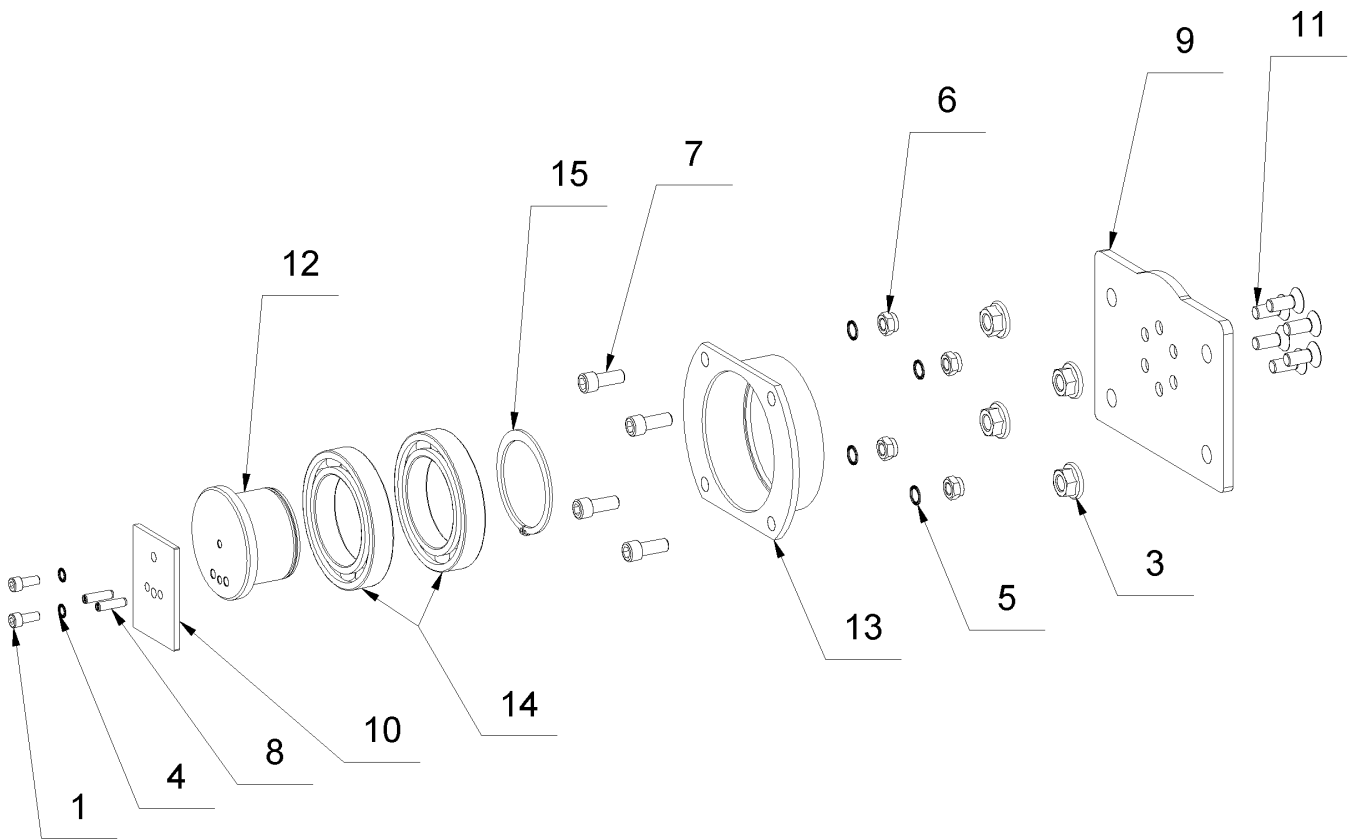


## 5 Front frame+weight

Item no.	Article no.	Description	Quantity
1	073954	Countersunk screw M16x30 DIN 7991 10.9	4
2	074111	Three star screw M10x100 cpl.	8
3	074035	Chassis Impact system Robo-Str.	1
4	074030	Additional weight in front grey RoboStr.	3
5	074029	Additional weight in front RoboStr.green	1
6	014915	Handle/Grip GN528 117mm	1
7	014860	Schnorr Washer M8	4
8	014734	Cylinder head screw M8x20 DIN 912	2
9	017651	Cylinder head screw M8x16 DIN 912	2



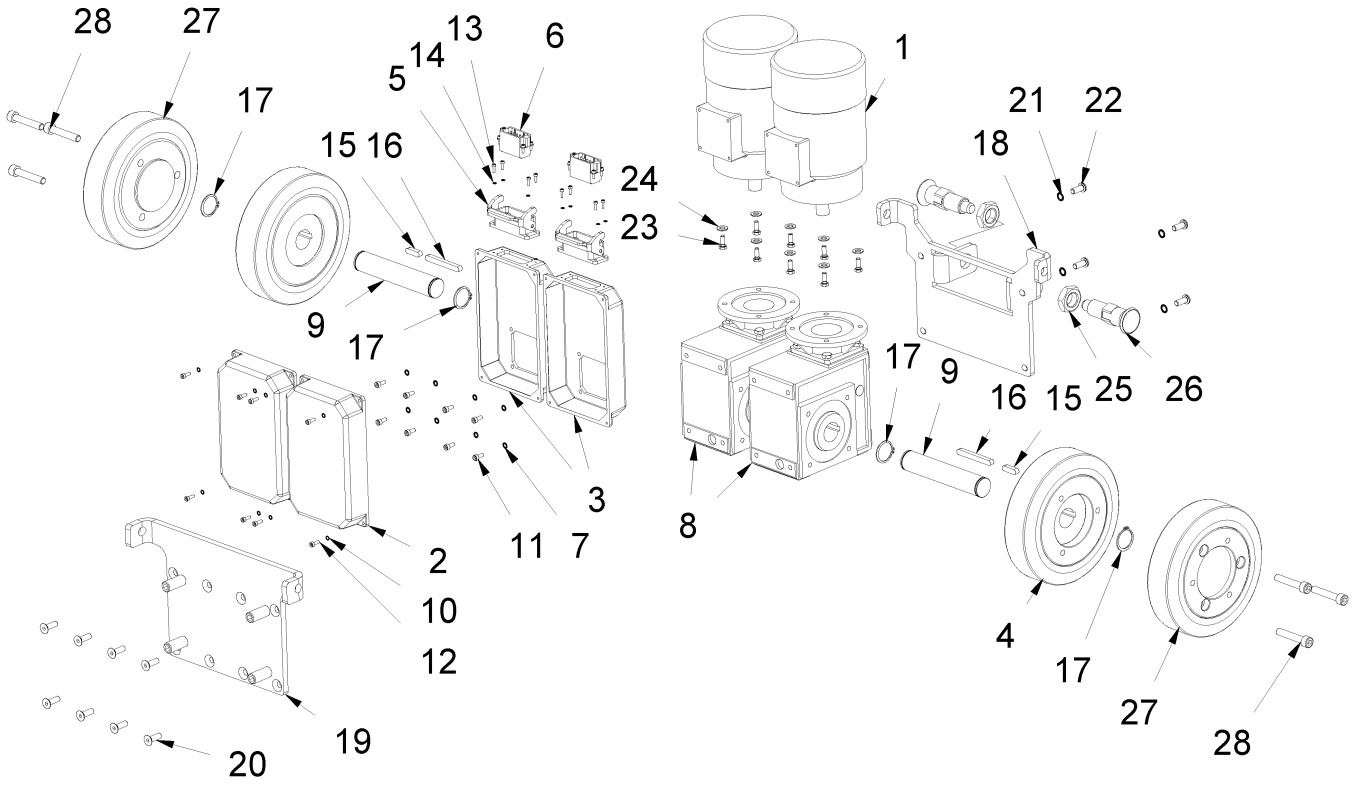
# 6 Hinge



## 6 Hinge

Item no.	Article no.	Description	Quantity
1	014734	Cylinder head screw M8x20 DIN 912	2
3	073952	Locknut M16 DIN 6923	4
4	014860	Schnorr Washer M8	2
5	014862	Washer M12	4
6	018770	El.stop-nut M12 DIN 985	4
7	014744	Cylinder head screw M12x30 DIN 912	4
8	016873	Cylindrical pin 8x30 DIN 7979	2
9	074033	Separating plate Robo-Stripper	1
10	073867	Stop swivel Robo-Stripper	1
11	018333	Countersunk screw M12x30 DIN 7991blank	6
12	073869	Gear shaft Robo-Stripper	1
13	073870	Socket swivel joint Robo-Stripper	1
14	073793	Ball bearing 6017 2RS1	2
15	076749	Safety washer A85 DIN 471	1

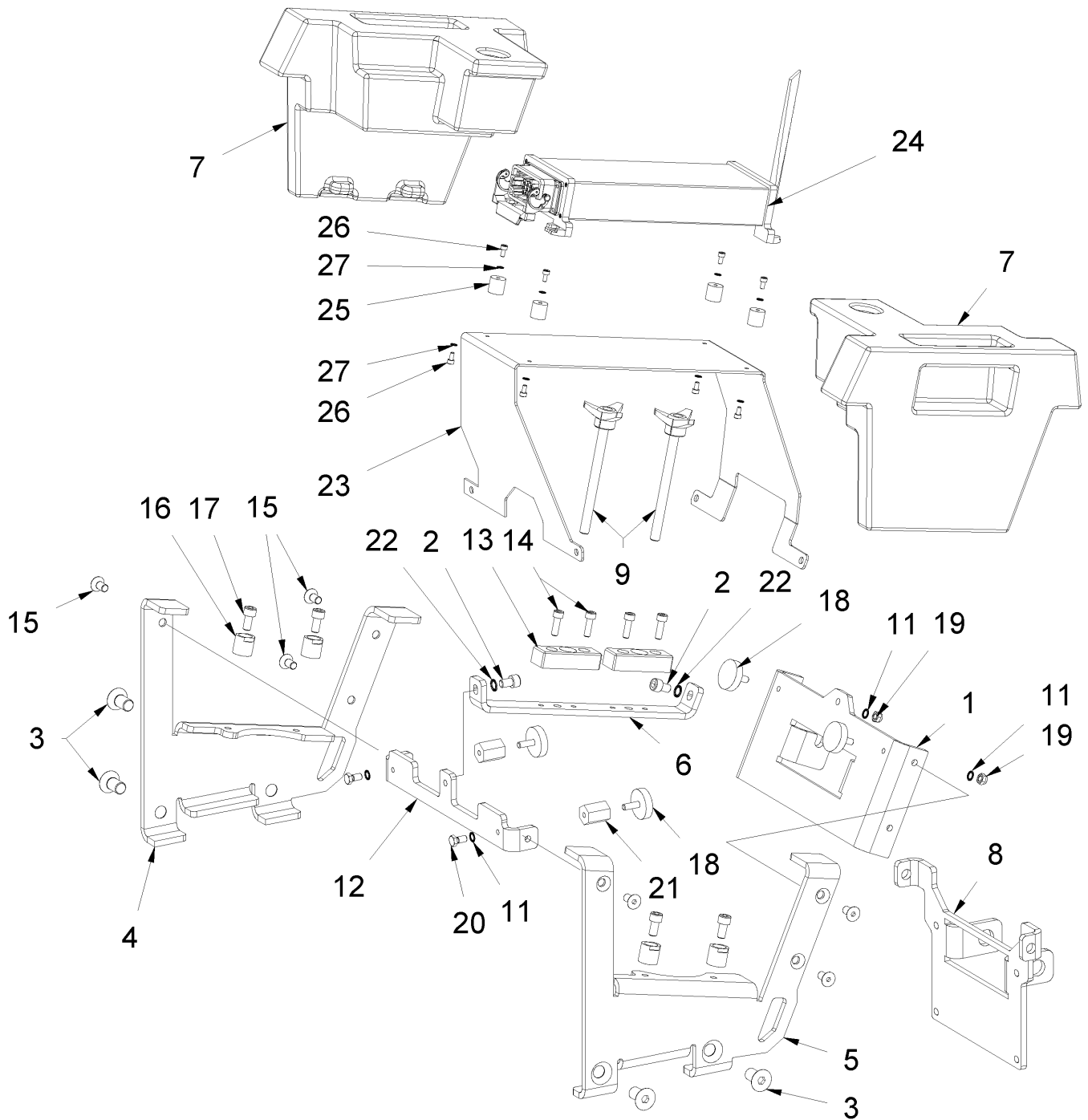
# 7 Drive unit



## 7 Drive unit

Item no.	Article no.	Description	Quantity
1	073859	Motor drive unit Robo-Stripper	2
2	073882	Frequency inverter Robo-Stripper	2
3	073883	Cover Robo-Stripper	2
4	073990	Driving wheel inside cpl. Robo-Stripper	2
5	060032	Housing 10A	2
6	060035	Pin employment 10A/10 polig	2
7	014858	Schnorr washer M5	8
8	073858	Gear Robo-Stripper	2
9	073866	Axle Drive shaft Robo-Stripper	2
10	016961	Snorr washer M4	8
11	017561	Cylinder head screw M5x12 DIN 912	8
12	018284	Cylinder head screw M4x12 DIN 912	8
13	014715	Cylinder head screw M3x10 DIN 912	8
14	017772	Schnorr washer M3	8
15	073948	Nut key 8x7x30 DIN 6885	2
16	073949	Feather key 8x7x70 DIN 6885	2
17	014853	Safety washer A30 DIN 471	4
18	073887	Gear plate behind Robo-Stripper	1
19	073886	Gear plate vorne Robo-Stripper	1
20	014761	Countersunk screw M8x25 DIN 7991 10.9	8
21	014860	Schnorr Washer M8	4
22	047385	Lens head screw M8x20	4
23	014770	Hexagonal screw M 6x16 DIN 933	8
24	014828	Washer M8 DIN 125 A	8
25	072155	Hexagon nut M24x2 DIN 936	2
26	072154	Locking pin size 5 Form C - M24x2 Ø16	2
27	077758	Driving wheel outside Robo-Stripper	2
28	077757	Cylinder head screw M10x55 DIN 912	6

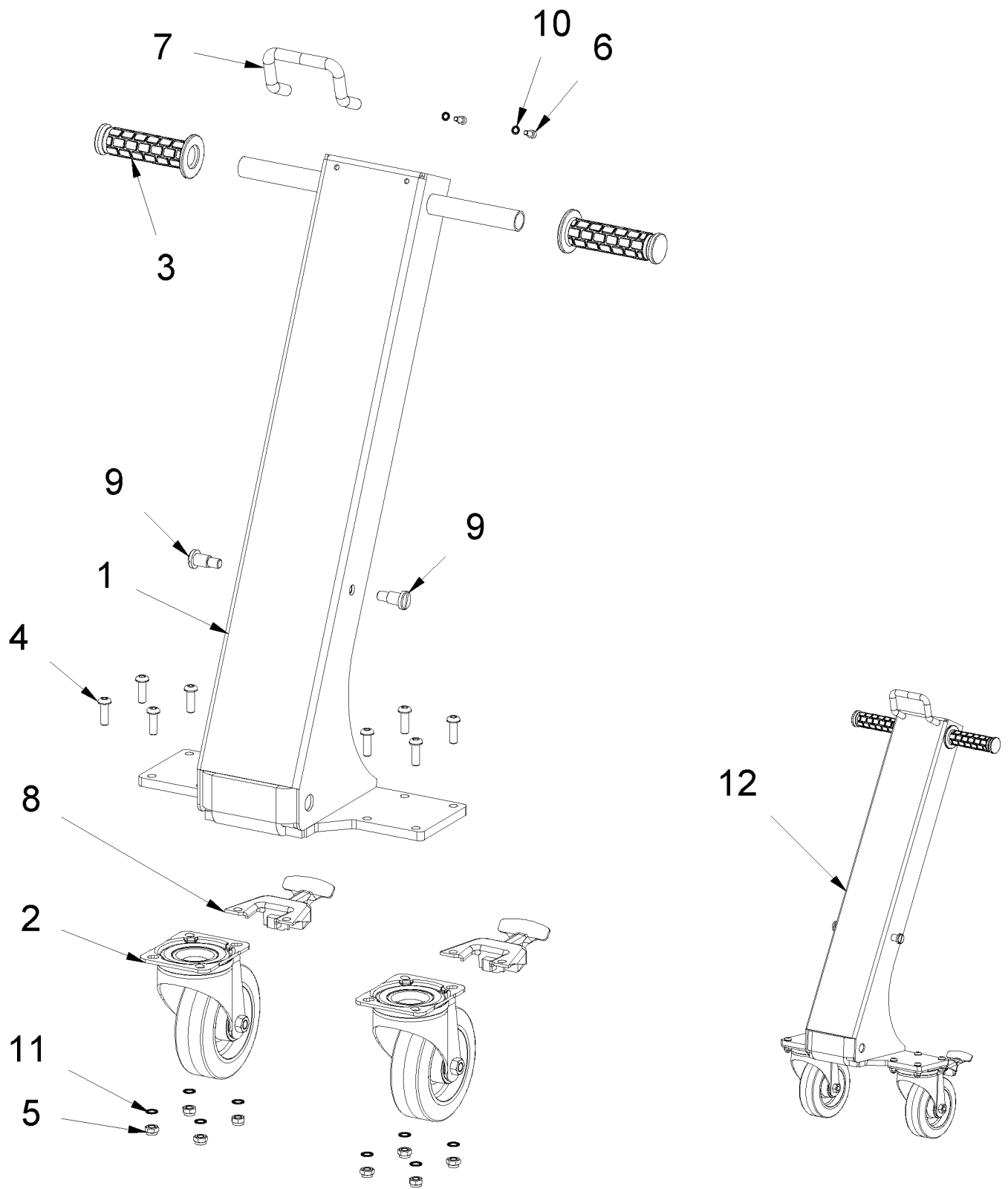
## 8 Rear frame + weight



## 8 Rear frame + weight

Item no.	Article no.	Description	Quantity
1	082736	Rear frame plate Robo Stripper	1
2	014740	Cylinder head screw M10x16 DIN 912 10.9	2
3	073954	Countersunk screw M16x30 DIN 7991 10.9	4
4	082735	Frame drive right Robo Stripper	1
5	082734	Frame drive left Robo Stripper	1
6	082741	Bracket Additional weight rear Robo Str.	1
7	081439	Additional weight Robo 2016	2
8	082737	Rear gear plate Robo Stripper	1
9	084075	Three star screw M 12x130 cpl.	2
11	014860	Schnorr Washer M8	4
12	149263	Cover Frame Drive Robo Stripper	1
13	083445	Additional weight support rear	2
14	014735	Cylinder head screw M8x25 DIN 912	4
15	014762	Countersunk screw M10x20 DIN7991 10.9	6
16	083519	Lateral support for additional weight	4
17	018301	Cylinder head screw M10x20 DIN 912	4
18	032752	Rubber metal buffer 40x10-M8x23 Typ D	4
19	014816	Hexagon nut M8 DIN 985	2
20	018015	Hexagon head screw M 8x 20 DIN 933	2
21	083396	Spacer piece ROBO	2
22	014861	Washer M10	2
23	163599	Bracket remote control Robo Stripper	1
24	163446	Operating panel cpl.RoboSt	1
25	163969	Rubber Buffer Ø20x20-M6 TypeEE	4
26	017697	Cylinder head screw M6x10 DIN 912	8
27	014859	Schnorr washer M6	8
o.Abb.	163445	Operating panel Serie foreign cpl.RoboSt	1

# 9 Handle

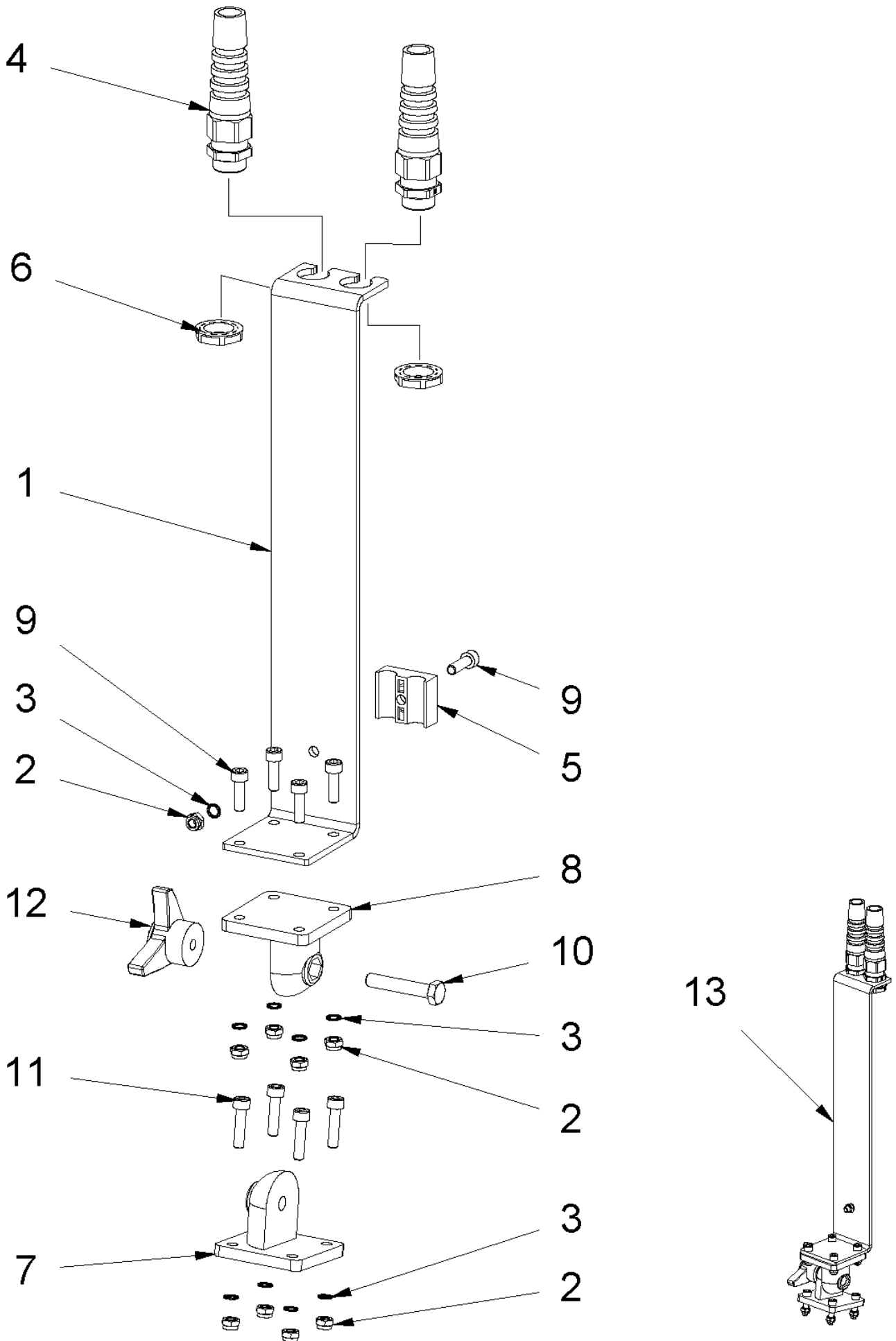


## 9 Handle

Item no.	Article no.	Description	Quantity
1	082731	Handel Robo Stripper	1
2	074095	Steer roll Robo-Str.	2
3	073574	Grip covering Ø22mm	2
4	036272	Lens head screw M 8x25	8
5	014816	Hexagon nut M8 DIN 985	8
6	017561	Cylinder head screw M5x12 DIN 912	2
7	074094	Machine handle angled	1
8	074096	Direction locking brake Robo-Str.	2
9	072156	Flat head screw M10x16 DIN 923	2
10	014858	Schnorr washer M5	2
11	014860	Schnorr Washer M8	8
12	083140	Handle S004 Robo Stripper	1



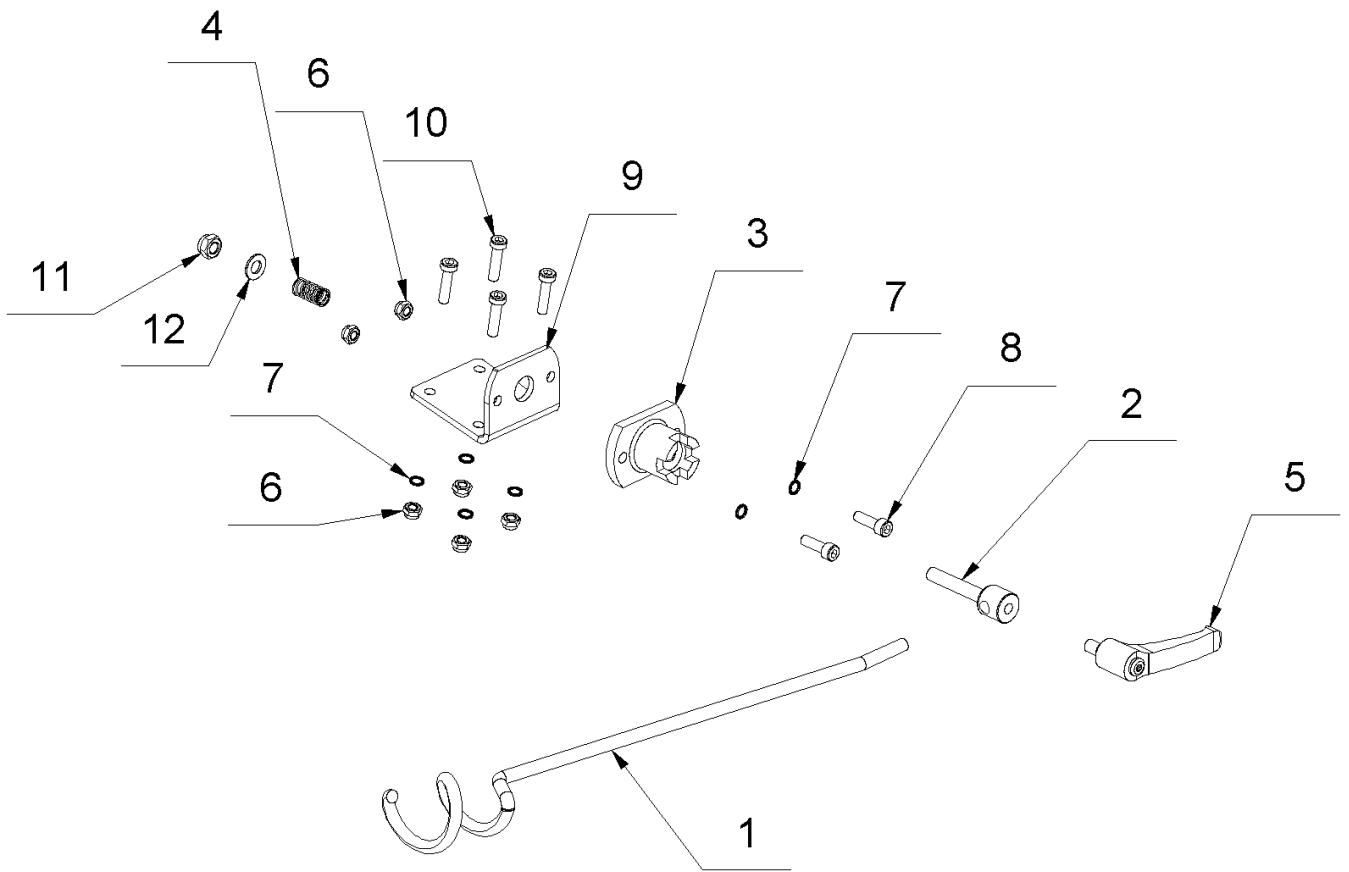
# 10 Cable extension



## 10 Cable extension

Item no.	Article no.	Description	Quantity
1	082740	Kabelausleger Arm ROBO-Stripper	1
2	014815	Hexagon nut M6 DIN985	9
3	014859	Schnorr washer M6	9
4	039190	Screw connection w.bending prot.M20x1,5	2
5	083111	Double clamp	1
6	047935	Nut PE M20x1,5	2
7	083057	Clamp connector GN 272-40-AV-BL	1
8	083056	Clamp connector GN 272-40-IV-BL	1
9	014730	Cylinder head screw M 6x20 DIN 912	5
10	018157	Hexagonal screw M 8x 45 DIN 931	1
11	014731	Cylinder head screw M6x25 DIN 912	4
12	083141	Treestar Grip M8	1
13	083169	Cable cantilever Robo Stripper	1

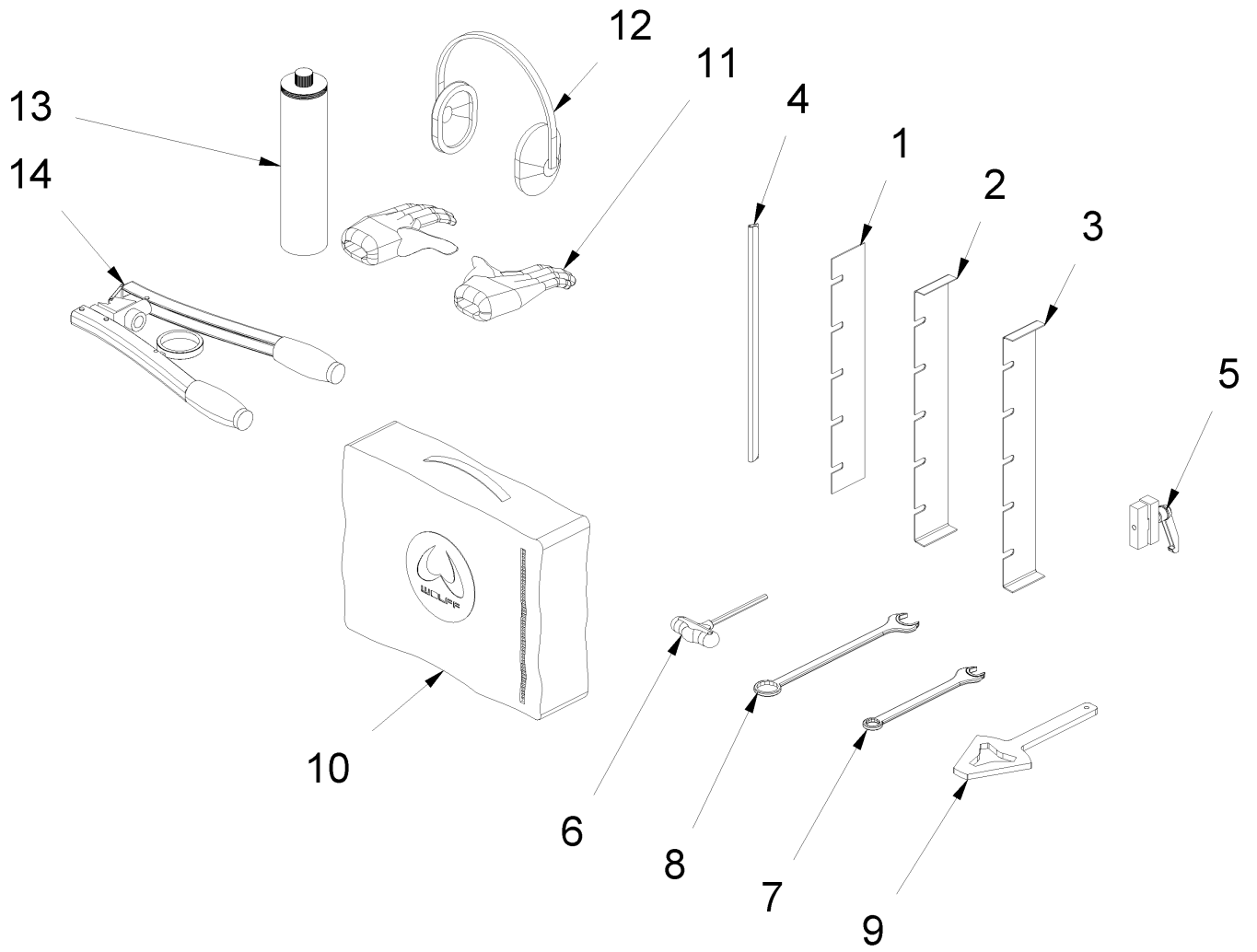
# 10 Cable extension new



## 10 Cable extension new

Item no.	Article no.	Description	Quantity
1	161668	Cable support arm BiTurbo	1
2	161667	Bolt Cable extension BiTurbo	1
3	161665	Sleeve Cantilever arm BiTurbo	1
4	017557	Pressure spring D151B / 11x22x1	1
5	175334	Clamping lever adjustable	1
6	014815	Hexagon nut M6 DIN985	6
7	014859	Schnorr washer M6	6
8	014730	Cylinder head screw M 6x20 DIN 912	2
9	175926	Angle plate cable extension Robo	1
10	062929	Cylinder head screw M6x 25 DIN 6912	4
11	014816	Hexagon nut M8 DIN 985	1
12	014828	Washer M8 DIN 125 A	1

# 11 Tool kit



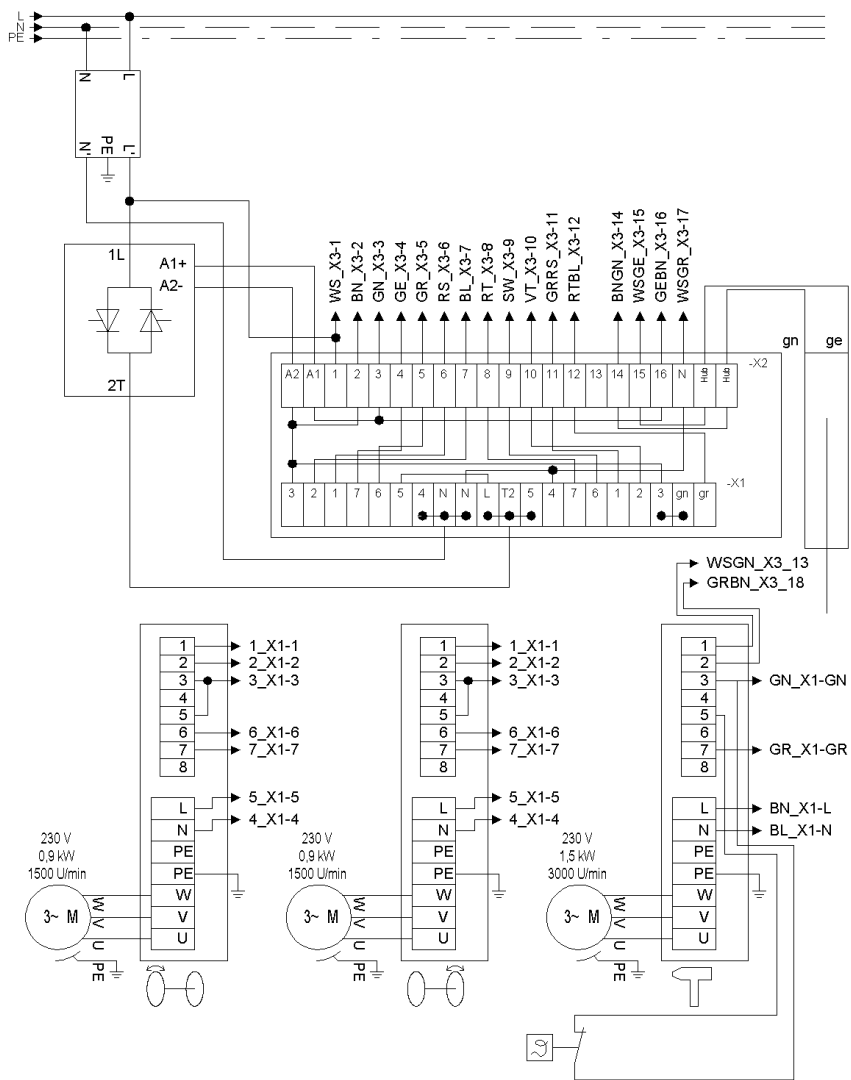
## 11 Tool kit

Item no.	Article no.	Description	Quantity
1	013979	Spare blades, 350 x 60 x 1,5 mm, 10 pcs.	1
2	038933	U-Blade 350mm bottom cutting edge	1
3	013983	U-Blade 350mm top cutting edge	1
4	017647	Blade protection 350mm	1
5	080274	Twist lock set cpl. Robo-Str.	1
6	019141	T-handle 6-kt SW 6	1
7	074282	Ring end wrench SW17	1
8	074284	Ring end wrench SW24	1
9	074069	Key three star attacked Robo-Str.	1
10	054064	Tool bag green - Wolff	1
11	015809	Safety gloves 1 pair	1
12	015315	Hearing protectors	1
13	087733	Lagermeister WHS 2002 500g SR-cartridge	1
14	087466	Two-hand grease gun SEE 176568	1

## 12 Accessory

Article no.	Description	Quantity
013978	Spare blades, 350 x 60 x 1,0 mm, 10 pcs.	1
013979	Spare blades, 350 x 60 x 1,5 mm, 10 pcs.	1
013980	Spare blades, 200 x 60 x 1,5 mm, 10 pcs.	1
013981	Spare blades, 150 x 60 x 1,5 mm, 10 pcs.	1
013982	Spare blade, 350 x 120 x 1,5 mm	1
013983	U-Blade 350mm top cutting edge	1
038933	U-Blade 350mm bottom cutting edge	1
039362	Special blade, heavy type, 350 mm	1
036690	Extension cord 3G1,5x10 black Schuko	1
074215	Conv.kit Twin wheels cpl. Robo (1 pair)	1
082333	Deflector and striker 450mm	1
075006	Spare blades, 450x120x1,5mm 5Stk/VE	1
075007	Spare blades, 450x60x1,5mm	1
075010	U-Blade 450 cut is above Robo VE/2St	1
075011	U-Blade 450 Cut down Robo VE/2St	1
080359	Parquet knife 350x150x3 cpl.	1
080358	Parquet knife 350x150x3toothed w.def cpl	1
079634	Parquet knife 350x150x3	1
079635	Parquet blade 350x150x3 toothed	1

# 13 Circuit diagram Drive unit





## 13 Circuit diagram Drive unit

---