



## spare parts list Viper EU

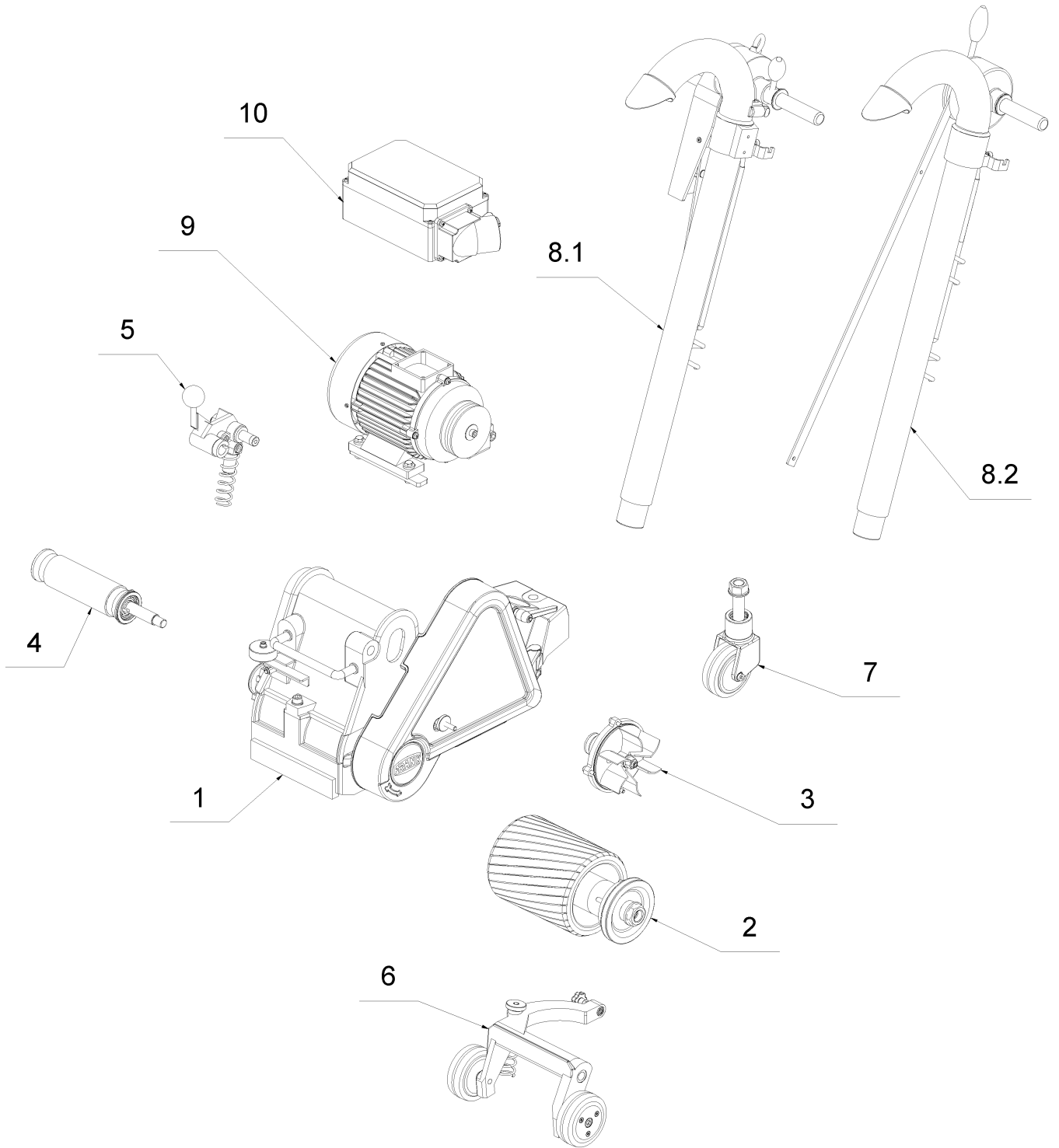


# Table of contents

---

1 Viper EU	3
1 Housing	5
2 Sanding drum bearing	8
3 Fan	10
4 Tension roller	12
5 Roller clamo	14
6 Chassis	16
7 Castor wheel	18
8.1 Steering	20
8.2 Steering normal	23
9 Motor	25
10 Switch box not CH	27
11 Circuit Diagram	29
12 Tool kit #060281	31
13 Accessories	32
8 Tool set Belt grinding machine	33
9 314/100Drum v-belt Viper	34

# 1 Viper EU

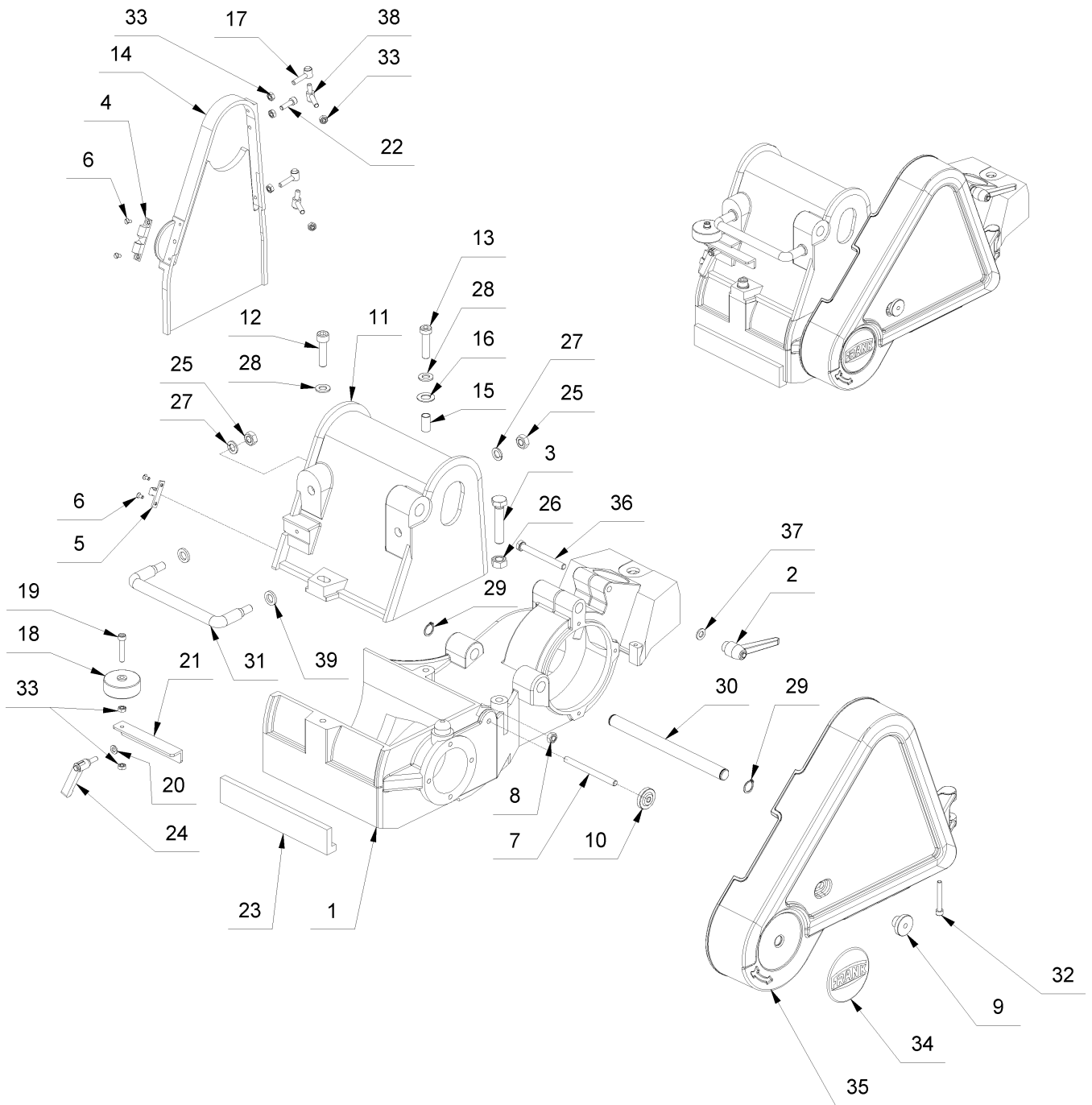


# 1 Viper EU

---

Item no.	Article no.	Description
1	01_01_039891	Housing
2	01_02_039891	Sanding drum bearing
3	01_03_039891	Fan
4	01_04_016844	Tension roller
5	01_05_039891	Roller clamo
6	01_06_039891	Chassis
7	01_07_047062	Castor wheel
8.1	01_08_048679	Steering
8.2	01_08_049187	Steering normal
9	01_09_048675	Motor
10	01_10_048680	Switch box not CH
11	01_11_039891	Circuit Diagram
12	01_12_060281	Tool kit #060281
13	01_13_039891	Accessories

# 1 Housing



# 1 Housing

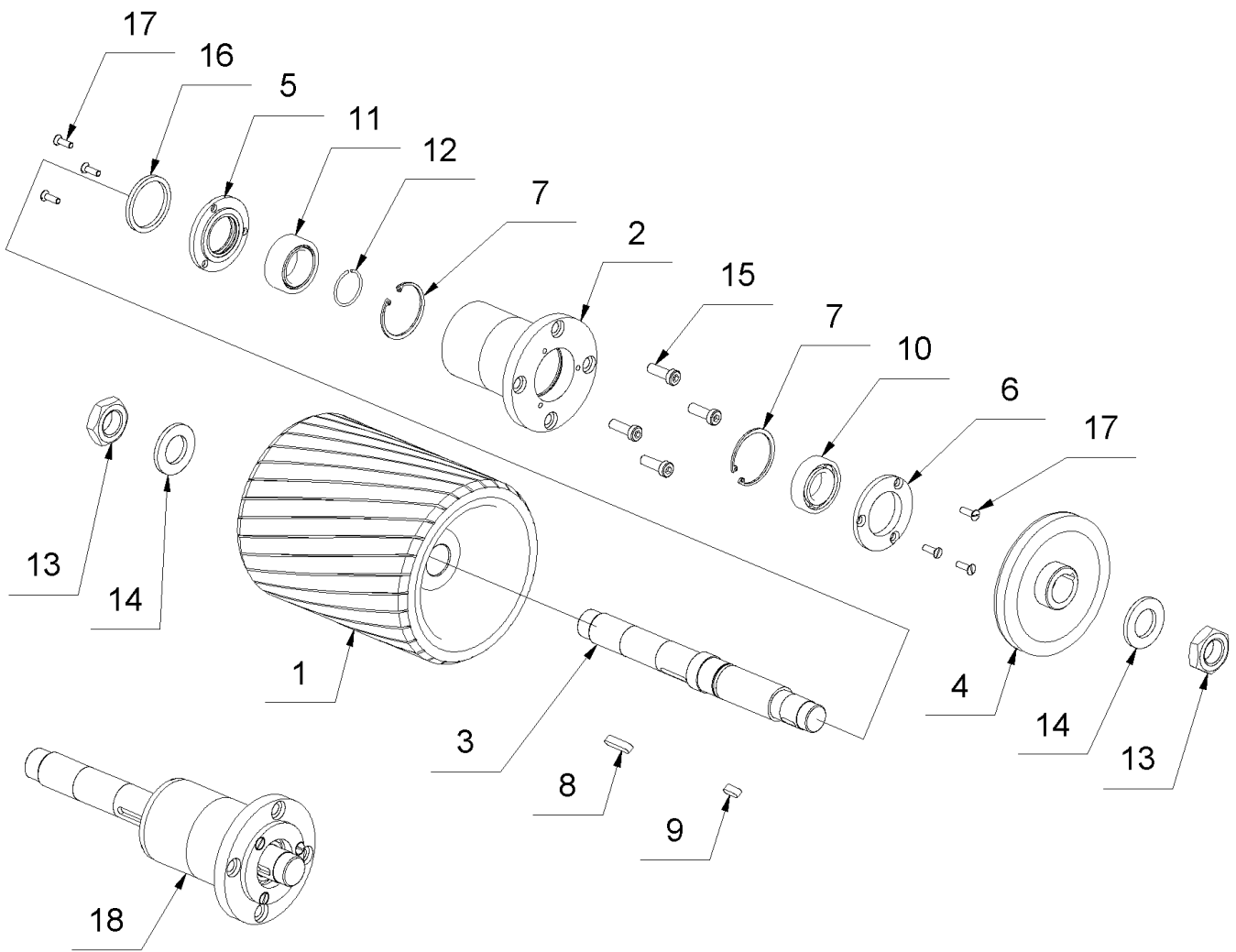
Item no.	Article no.	Description	Quantity
1	016461	Machine chassis Viper	1
2	014877	Clamping lever M8 Duro	1
3	016466	Hexagon head screw M12x 60 DIN 933	1
4	016328	Cover lock Cobra/Viper/Python	1
5	016384	274/6.02 Lock notch Cobra/Viper/Python	1
6	018323	Countersunk screw M4x8 DIN 963	4
7	016330	Stud bolt M 8x85 DIN 938 Sonder	1
8	014810	Hexagon nut M 8 DIN 934 I6I/I8I	1
9	016331	Thumb nut M 8 DIN 466	1
10	018655	Thumb nut M 8 DIN 467	1
11	016475	Cover Viper	1
12	042368	Cylinder head screw M10x40 DIN 912	1
13	043833	Lock washer DIN 137 - B27	1
14	014603	Drum cover outside Viper	1
15	016478	Distance bushing Viper	1
16	043832	spring washer B M12 DIN 137	1
17	016480	Hinges for cover Viper	2
18	016177	Start-up wheel 2" Cobra/Viper/Python	1
19	018264	Cylinder head screw M 6x35 DIN 912	1
20	014827	Washer M6 DIN 125 A	1
21	016336	Slotted hole iron Cobra/Viper/Python	1
22	014730	Cylinder head screw M 6x20 DIN 912	1
23	016490	Bumper Viper	1
24	047212	Clamping lever M6x16	1
25	014811	Hexagon nut M 10 DIN 934	2
26	018663	Hexagon nut M12 DIN 934	1
27	043831	lock washer 10 DIN 128	2
28	014829	Washer M10 DIN 125 A	2
29	018101	Safety washer A15 DIN 471	2
30	016556	Chassis axle Viper	1
31	016564	Carrying handle Viper	1
32	017659	Cylinder head screw M6x45 DIN 912	1
33	014809	Hexagon nut M6 DIN 934	7
34	137491	Label Frank 3D Ø80mm	1

## 1 Housing

---

Item no.	Article no.	Description	Quantity
35	016567	Belt protection hood Viper	1
36	018152	Hexagonal screw M 8x 80 DIN 933	1
37	014828	Washer M8 DIN 125 A	1
38	016482	Hinge bolt for cover Viper	2
39	016565	Washer 12 DIN 1440	2

## 2 Sanding drum bearing

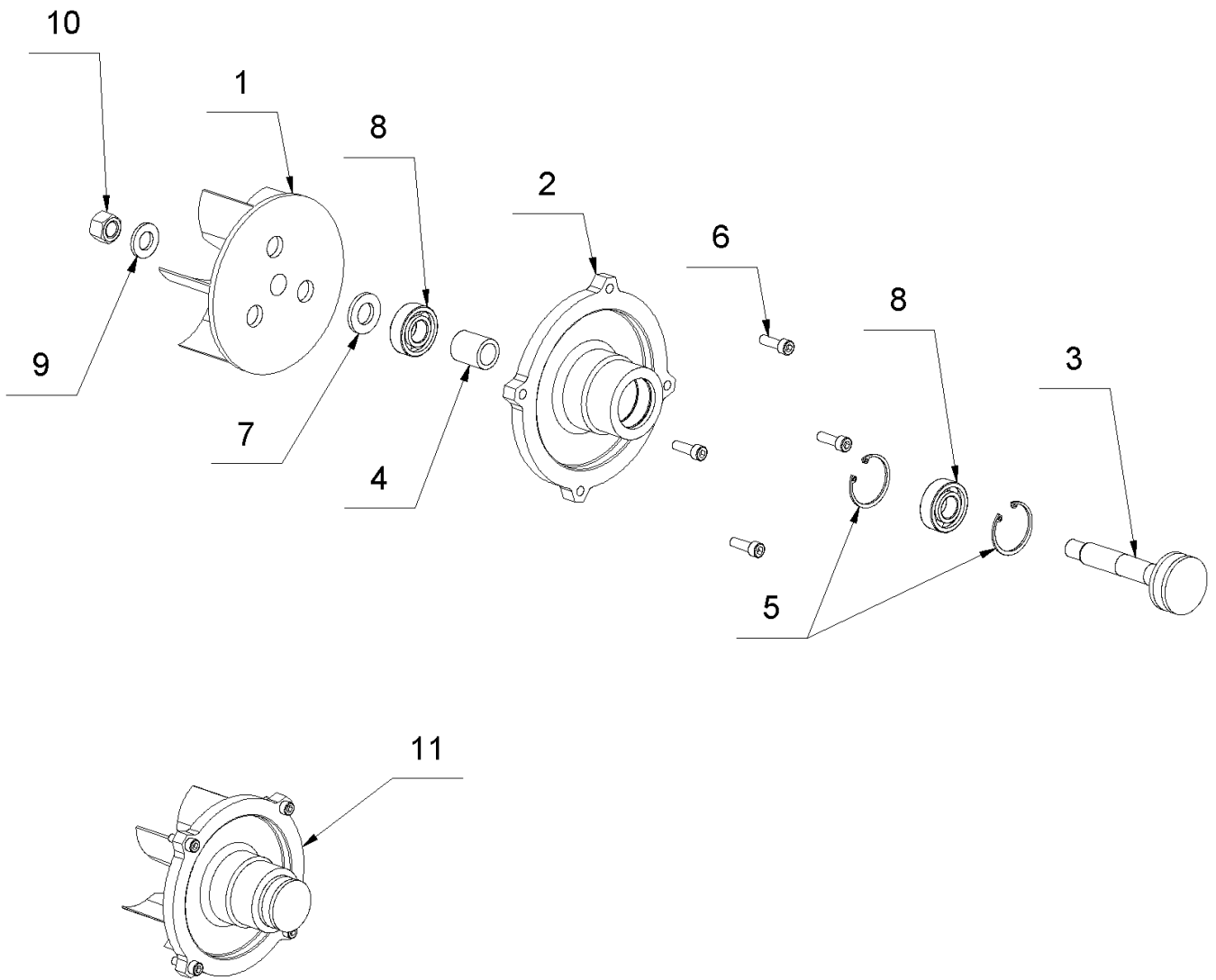




## 2 Sanding drum bearing

Item no.	Article no.	Description	Quantity
1	014201	REPLACEMENT DRUM FOR VIPER	1
2	016507	Drum flange Viper (empty)	1
3	014608	Sanding drum shaft Viper	1
4	014613	drum pulley Viper	1
5	016509	Cover Viper	1
6	016511	Cover Viper	1
7	014855	Safety washer I47 DIN 472	2
8	016361	Nut key 6x6x30 DIN 6885	1
9	016505	Nut key 6x6x16 DIN 6885	1
10	014704	Ball-bearing 6005 2RSH	1
11	014611	ball bearing NA4906 Viper	1
12	043868	Runddraht - Sprengring DIN 7993 RW 30	1
13	014614	Hexagon nut M24x1,5 DIN936	2
14	018226	disc f.M24 DIN 125B vzkt	2
15	016365	Cylinder head screw M10x45 DIN 6912	4
16	016188	Felt sealing ring Cobra/Viper/Python	1
17	016701	ZZZCountersunk screw see 16312	6
18	048673	Roller bearing flange cpl.VIPER	1

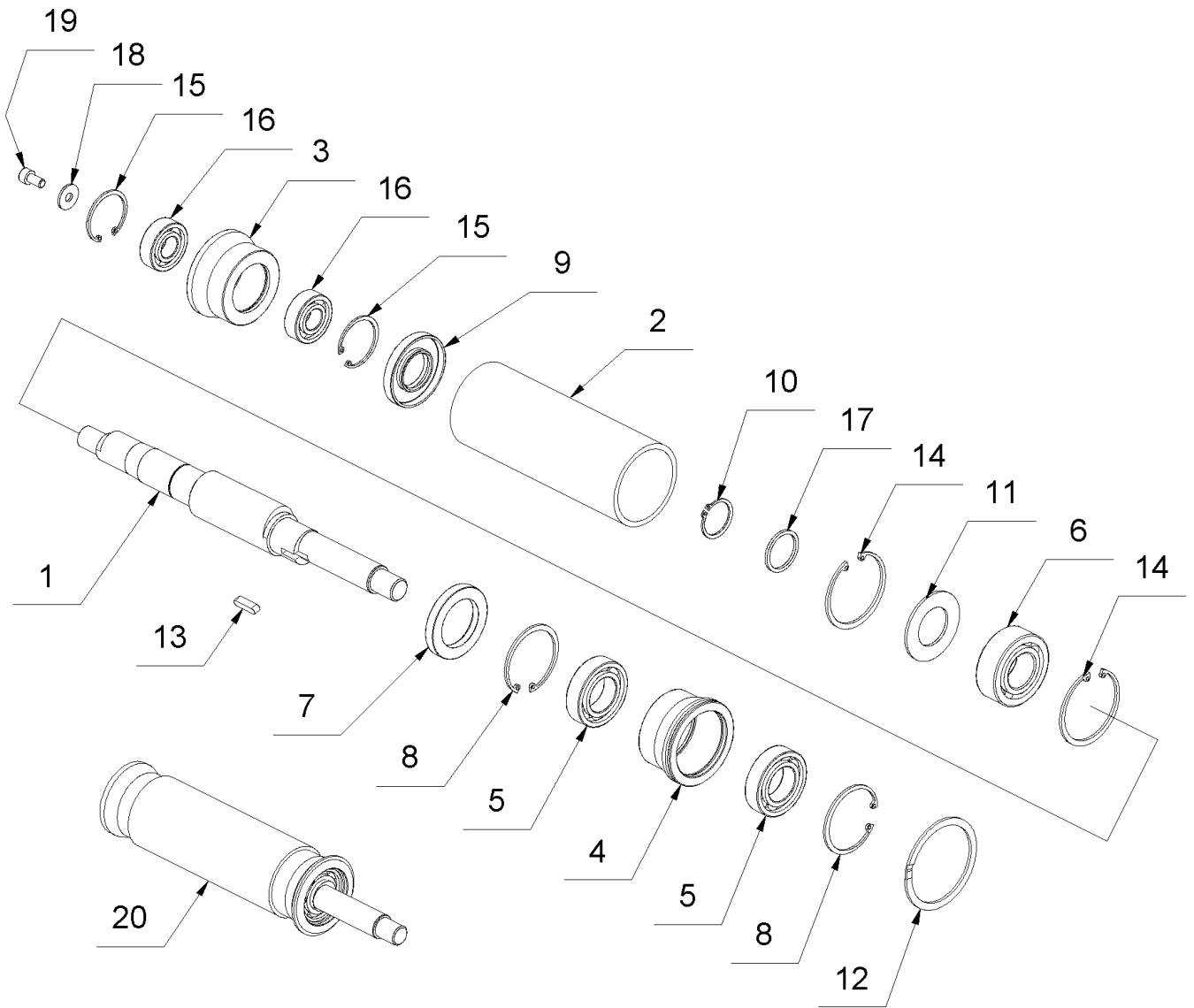
### 3 Fan



### 3 Fan

Item no.	Article no.	Description	Quantity
1	014618	Fan wheel Viper	1
2	016513	Fan flange Viper	1
3	014616	Fan shaft pulley	1
4	016514	Distance bushing Viper	1
5	018091	Circlip I35 DIN472	2
6	014730	Cylinder head screw M 6x20 DIN 912	4
7	043878	Washer 15x3 DIN 134	1
8	018351	Ball bearing 6202 2RS	2
9	014830	Washer M12 DIN 125 A	1
10	018663	Hexagon nut M12 DIN 934	1
11	048674	Ventilator VIPER cpl.	1

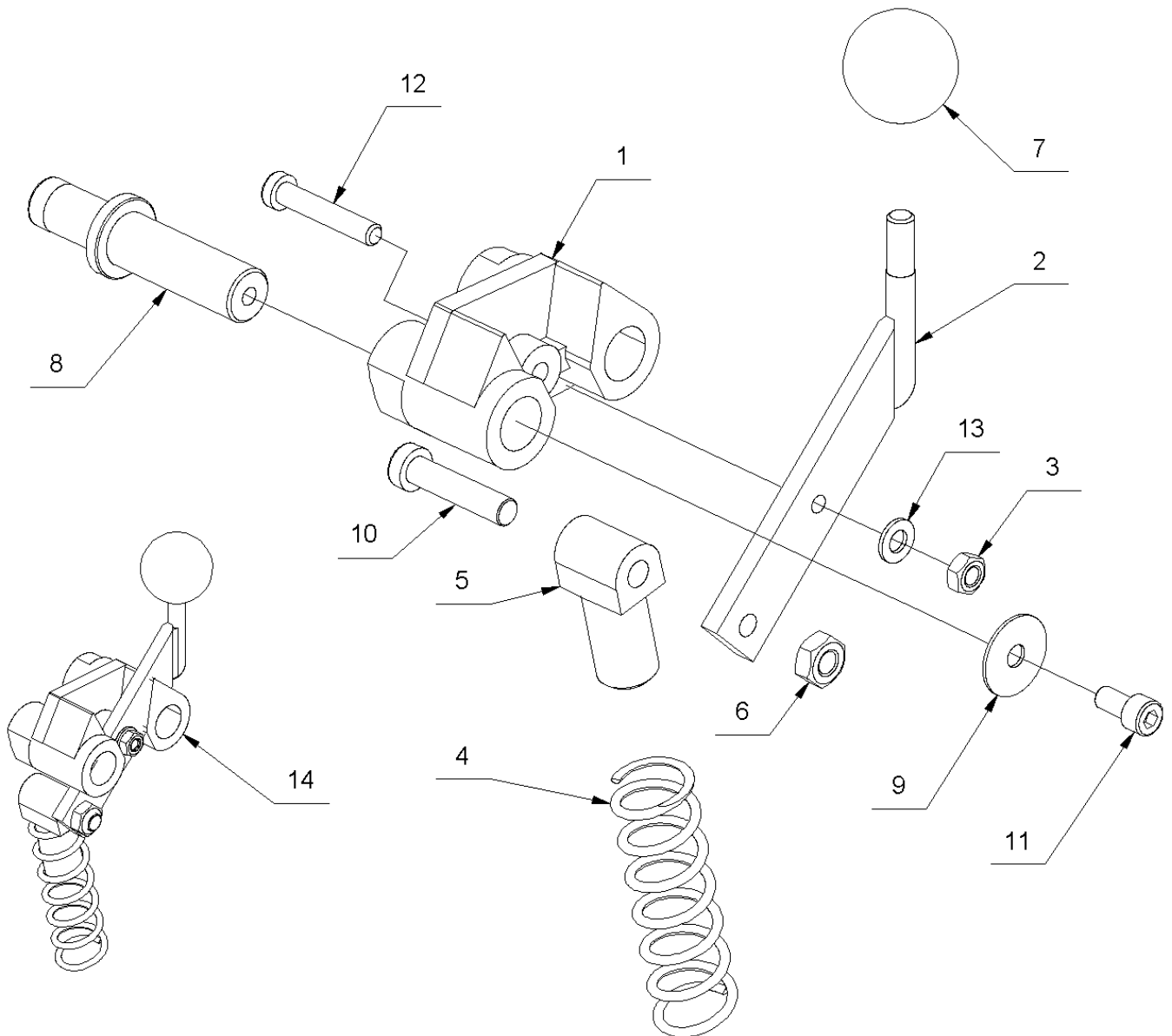
## 4 Tension roller



## 4 Tension roller

Item no.	Article no.	Description	Quantity
1	014619	Tension roller shaft Viper	1
2	014629	Roller empty Viper / Cobra	1
3	014622	Outside roll Cobra/Viper/Python	1
4	014625	Inner roll Cobra/Viper/Python	1
5	014704	Ball-bearing 6005 2RSH	2
6	016198	Swivel bearing 2205 2RS	1
7	014628	Inner packing ring Vip/Cob/Pyth 35-52-10	1
8	014855	Safety washer I47 DIN 472	2
9	014634	Shaft seal Vip/Cob/Pyth 25-52-10	1
10	014852	Safety washer A25 DIN 471	1
11	043833	Lock washer DIN 137 - B27	1
12	166323	Safety washer XDNS 60-X	1
13	043861	Nut key 5x5x20 DIN 6885	1
14	014857	Safety washer I52 DIN 472	2
15	018091	Circlip I35 DIN472	2
16	018351	Ball bearing 6202 2RS	2
17	016360	Washer 25x30x2 DIN 988	1
18	017724	Washer DIN 9021 6,4x18x1,6	1
19	014726	Cylinder head screw M6x12 DIN 912	1
20	016844	tension roll new - Viper	1

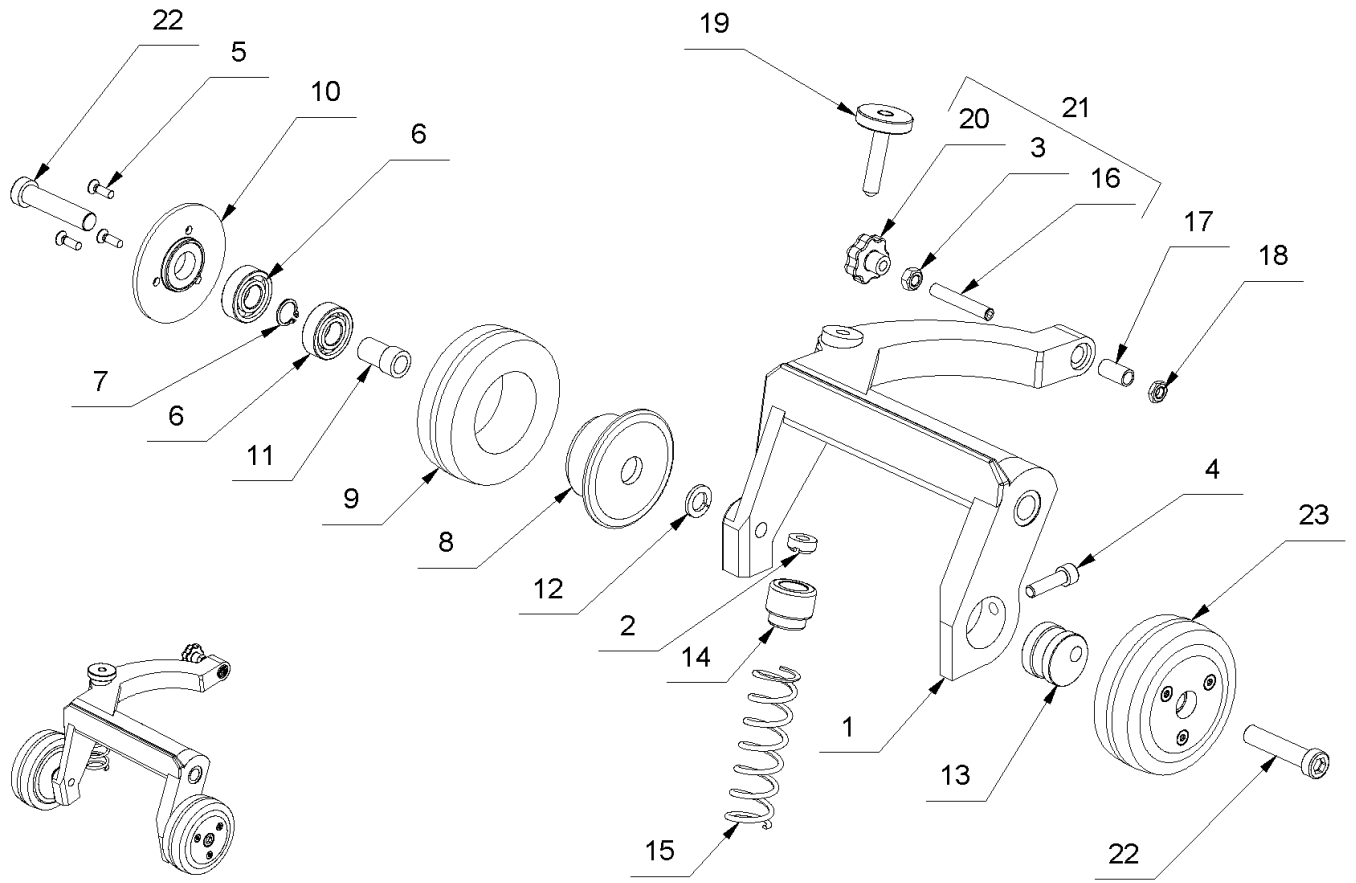
## 5 Roller clam



## 5 Roller clamo

Item no.	Article no.	Description	Quantity
1	016491	Tension roller holder Viper	1
2	016342	Tension lever Cobra/Viper/Python	1
3	014810	Hexagon nut M 8 DIN 934 I6I/I8I	1
4	016179	Pressure spring 30x100x3,5	1
5	016492	Pressure piece Cobra/Viper/Python	1
6	014811	Hexagon nut M 10 DIN 934	1
7	014607	Handle grip Viper	1
8	016345	Mounting bolt Cobra/Viper/Python	1
9	043902	Washer 8,4x30 DIN 522	1
10	016340	Cylinder head screw M10x45 DIN 6912	1
11	017651	Cylinder head screw M8x16 DIN 912	1
12	016343	Cylinder head screw M10x45 DIN 6912	1
13	014828	Washer M8 DIN 125 A	1
14	048694	tension roller holder cpl. Viper	1

# 6 Chassis

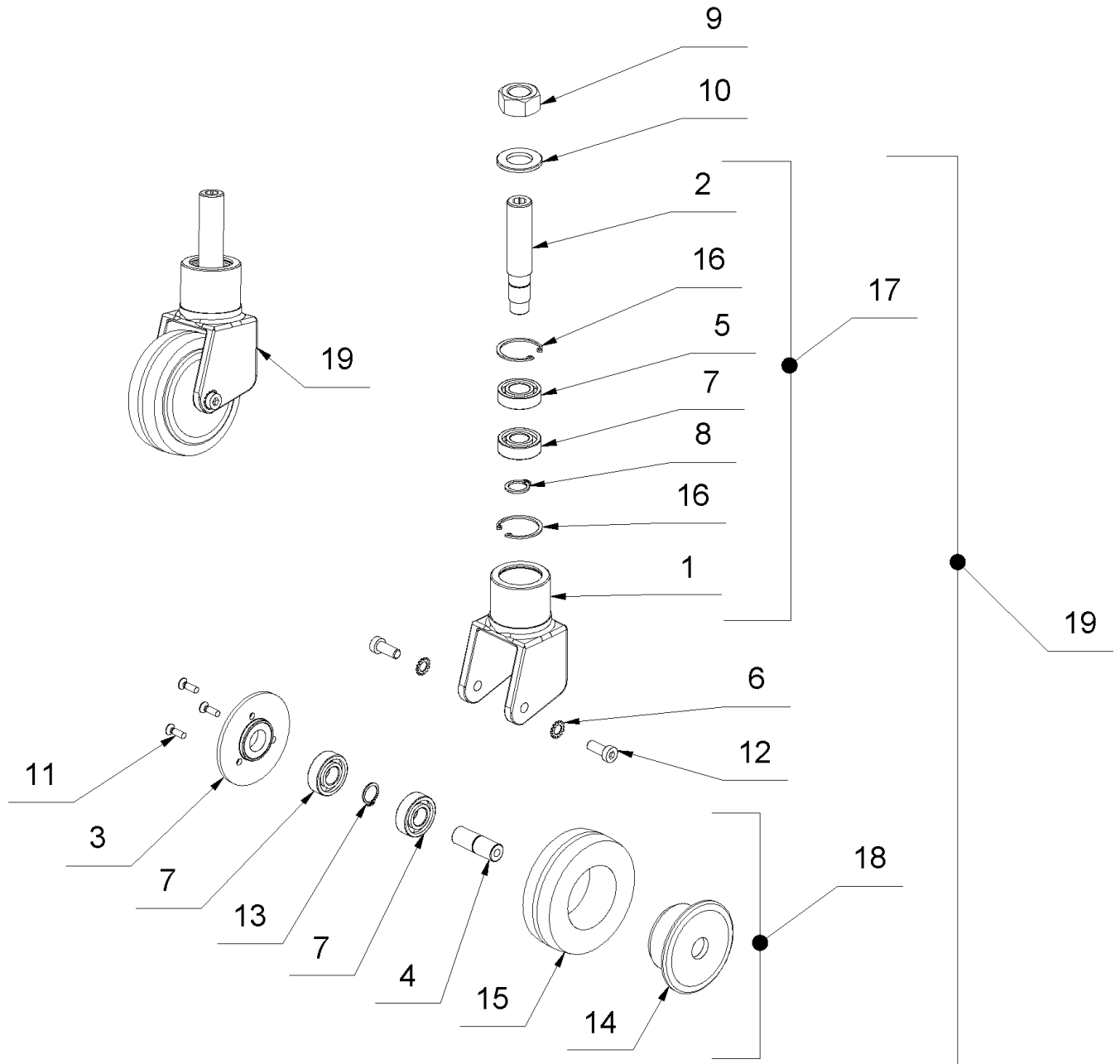




## 6 Chassis

Item no.	Article no.	Description	Quantity
1	016558	Chassis lever Viper	1
2	043881	Bolt nut M10 DIN 14441	1
3	014810	Hexagon nut M 8 DIN 934 I6I/I8I	1
4	014736	Cylinder head screw M8x30 DIN 912	1
5	080377	Countersunk screw M5x16 (Torx)	6
6	018351	Ball bearing 6202 2RS	4
7	018101	Safety washer A15 DIN 471	2
8	016415	Steering and wheel rim Cobra/Viper/Pytho	2
9	016171	Vulcolan tyre Cobra/Viper/Python	2
10	016416	Wheel cover Cobra/Viper/Python	2
11	016422	Socket for wheel axle Cobra/Viper/Python	2
12	016424	Spring washer 12 DIN 127	1
13	016425	Eccentric cam with thread Cobra	1
14	047077	Spring pressure plate Viper	1
14	016465	Spring pressure plate Viper FH	1
15	014554	Pressure spring Viper	1
16	017522	Headless pin M8x50 DIN 913	1
17	016561	Distance bushing Viper	1
18	017676	Hexagon nut M8 DIN 936	1
19	016464	Pressure reg.screw Viper	1
20	014918	Handle	1
21	043898	Starknob cpl.	1
22	016554	Cylinder head screw M12x55 DIN 6912	2
23	037082	Wheel compl.Cobra/Viper/Python	1

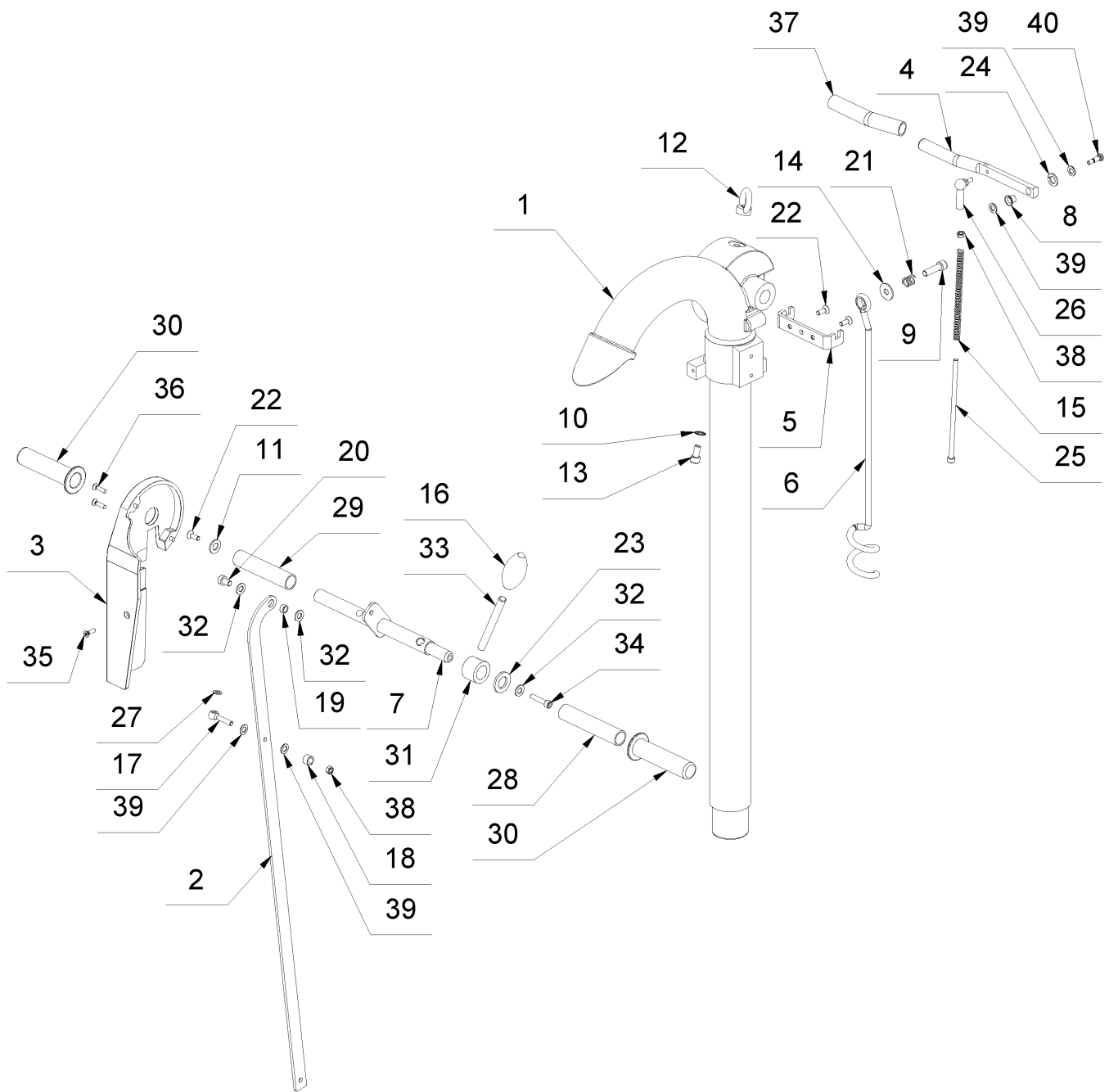
# 7 Castor wheel



## 7 Castor wheel

Item no.	Article no.	Description	Quantity
1	016406	Steering wheel fork Cobra/Viper/Python	1
2	016539	Swivel axle Viper	1
3	016416	Wheel cover Cobra/Viper/Python	1
4	014601	Caster wheel Cobra/Viper/Python	1
5	018359	Ball bearing 6003 2RS	1
6	016321	Spring washer A 8,4 DIN 6798	2
7	018351	Ball bearing 6202 2RS	3
8	014850	Safety washer A17 DIN 471	1
9	039981	Hexagon nut M20x1,5 DIN 934	1
10	039982	Disc f.M20 DIN 125B	1
11	080377	Countersunk screw M5x16 (Torx)	3
12	016413	Cylinder head screw M6x150 DIN 912	2
13	018101	Safety washer A15 DIN 471	1
14	016415	Steering and wheel rim Cobra/Viper/Pytho	1
15	016171	Vulcolan tyre Cobra/Viper/Python	1
16	018091	Circlip I35 DIN472	2
17	048678	Castor fork cpl. VIPER	1
18	048583	Steering Wheel compl	1
19	047062	Steering wheel fork w.wheel Viper	1

## 8.1 Steering



## 8.1 Steering

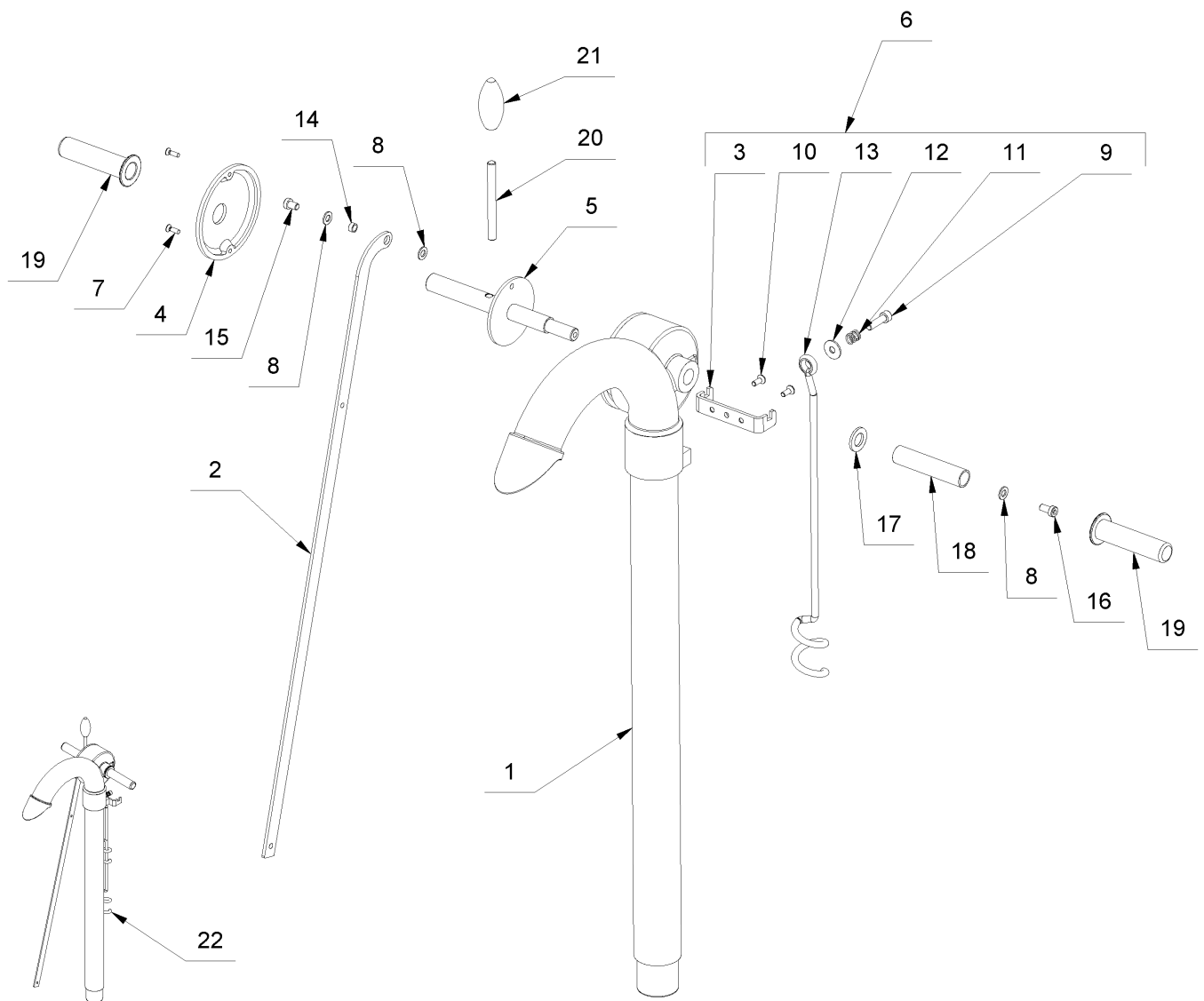
Item no.	Article no.	Description	Quantity
1	085131	Steering Viper FH 770	1
1	048608	Steering Viper FH 690	1
2	082330	drawbar 770 Viper	1
2	016526	Control rod 690 Viper	1
3	016615	Housing cover Cobra FH	1
4	016628	Lifting grip Cobra	1
5	016521	Cable support Cobra/Viper/Python	1
6	014548	Cable arm long Viper	1
7	016641	Handle right Cobra	1
8	019086	Bushing BB 0810	1
9	014736	Cylinder head screw M8x30 DIN 912	1
10	016321	Spring washer A 8,4 DIN 6798	1
11	014829	Washer M10 DIN 125 A	1
12	016618	ndng nut M 8 DIN 582	1
13	017651	Cylinder head screw M8x16 DIN 912	1
14	018737	Washer 8,4x24x2 DIN 9021 galv.	1
15	016638	Pressure spring 9x167x1,2	1
16	016180	Ball handle Cobra/Python/Viper	1
17	016635	Eye screw M 6x20 DIN 444	1
18	043882	Guard cover	1
19	016437	Distance bushing Cobra	1
20	016397	Cylinder head screw M8x12 DIN 6912	1
21	043827	Pressure spring 13x20x1,5	1
22	014756	Countersunk screw M6x16 DIN 7991 10.9	3
23	014831	Washer 16mm DIN 125	1
24	043831	lock washer 10 DIN 128	1
25	016673	Cylinder head screw M6x150 DIN 912	1
26	016632	Angle joint Cobra/Viper/Python	1
27	014827	Washer M6 DIN 125 A	1
28	016642	Handle pipe Cobra	1
29	016280	Hand grip left Viper	1
30	014549	PVC grip Ø40mm	2
31	016640	Pressure bushing Cobra	1
32	014828	Washer M8 DIN 125 A	3

## 8.1 Steering

---

Item no.	Article no.	Description	Quantity
33	016404	Lever pin Cobra / Viper	1
34	017678	Cylinder head screw M6x30 DIN 912	1
35	080377	Countersunk screw M5x16 (Torx)	1
36	080378	Countersunk screw M 5x20 (Torx)	2
37	082068	PVC-hand grip Wega black	1
38	014809	Hexagon nut M6 DIN 934	2
39	078449	Shim washer 8x14x1,2 DIN 988	4
40	053781	Screw M 6x12 DIN 7379	1

## 8.2 Steering normal

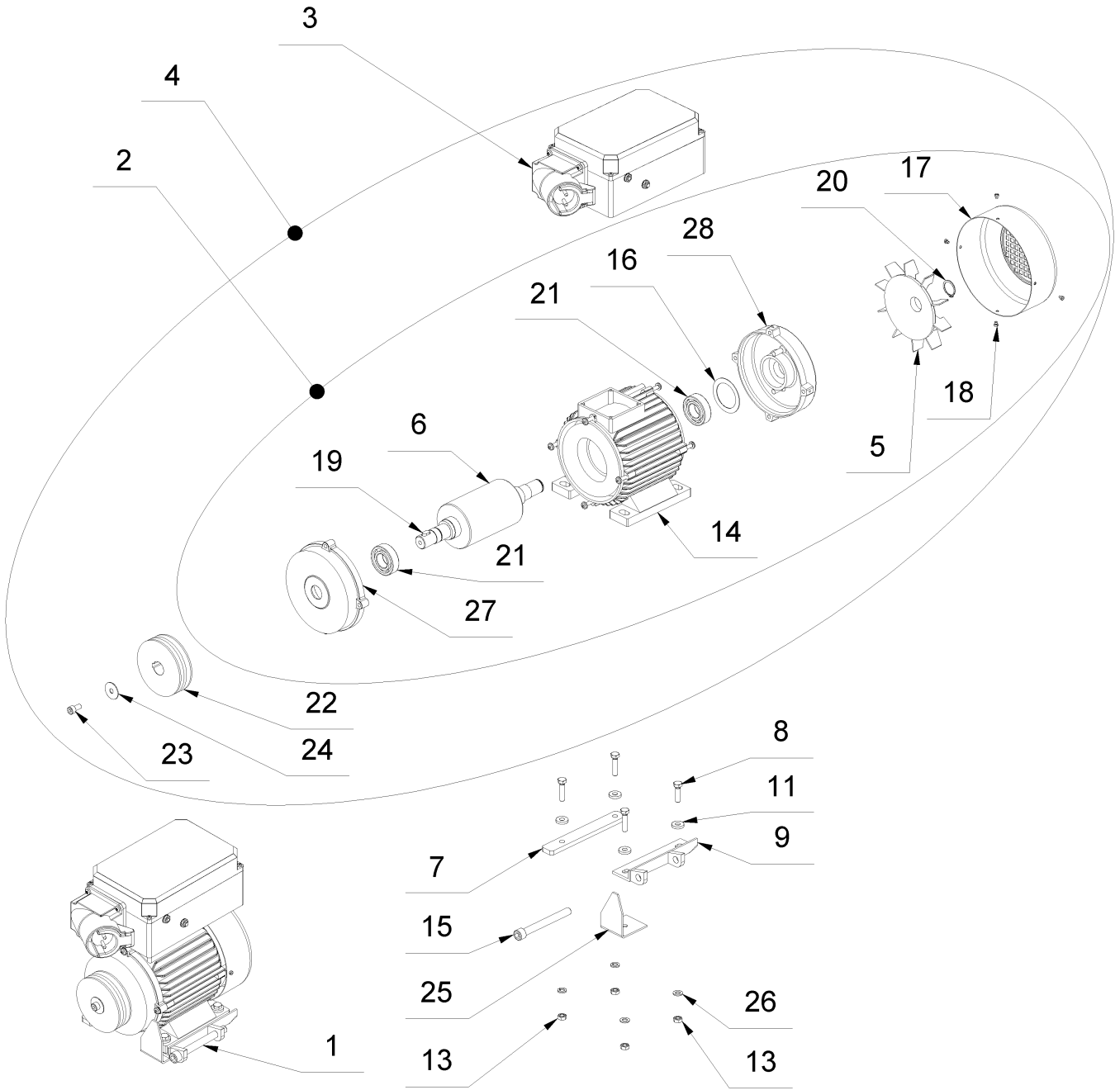


## 8.2 Steering normal

Item no.	Article no.	Description	Quantity
1	085130	Steering Viper normal 770	1
1	048607	Steering Viper normal 690	1
2	082330	drawbar 770 Viper	1
2	016526	Control rod 690 Viper	1
3	016521	Cable support Cobra/Viper/Python	1
4	016388	Housing cover normal	1
5	016279	Handgrip right Viper	1
6	048582	Cable support cpl.	1
7	080337	Electronic exchange DSW400	2
8	014828	Washer M8 DIN 125 A	3
9	014736	Cylinder head screw M8x30 DIN 912	1
10	014756	Countersunk screw M6x16 DIN 7991 10.9	2
11	043827	Pressure spring 13x20x1,5	1
12	018737	Washer 8,4x24x2 DIN 9021 galv.	1
13	016665	331/40 Cable arm short USA	1
13	014548	Cable arm long Viper	1
14	016437	Distance bushing Cobra	1
15	016397	Cylinder head screw M8x12 DIN 6912	1
16	014733	Cylinder head screw M8x16 DIN 6912	1
17	014831	Washer 16mm DIN 125	1
18	016280	Hand grip left Viper	1
19	014549	PVC grip Ø40mm	2
20	016404	Lever pin Cobra / Viper	1
21	016180	Ball handle Cobra/Python/Viper	1
22	049187	Steering Viper normal kpl	1



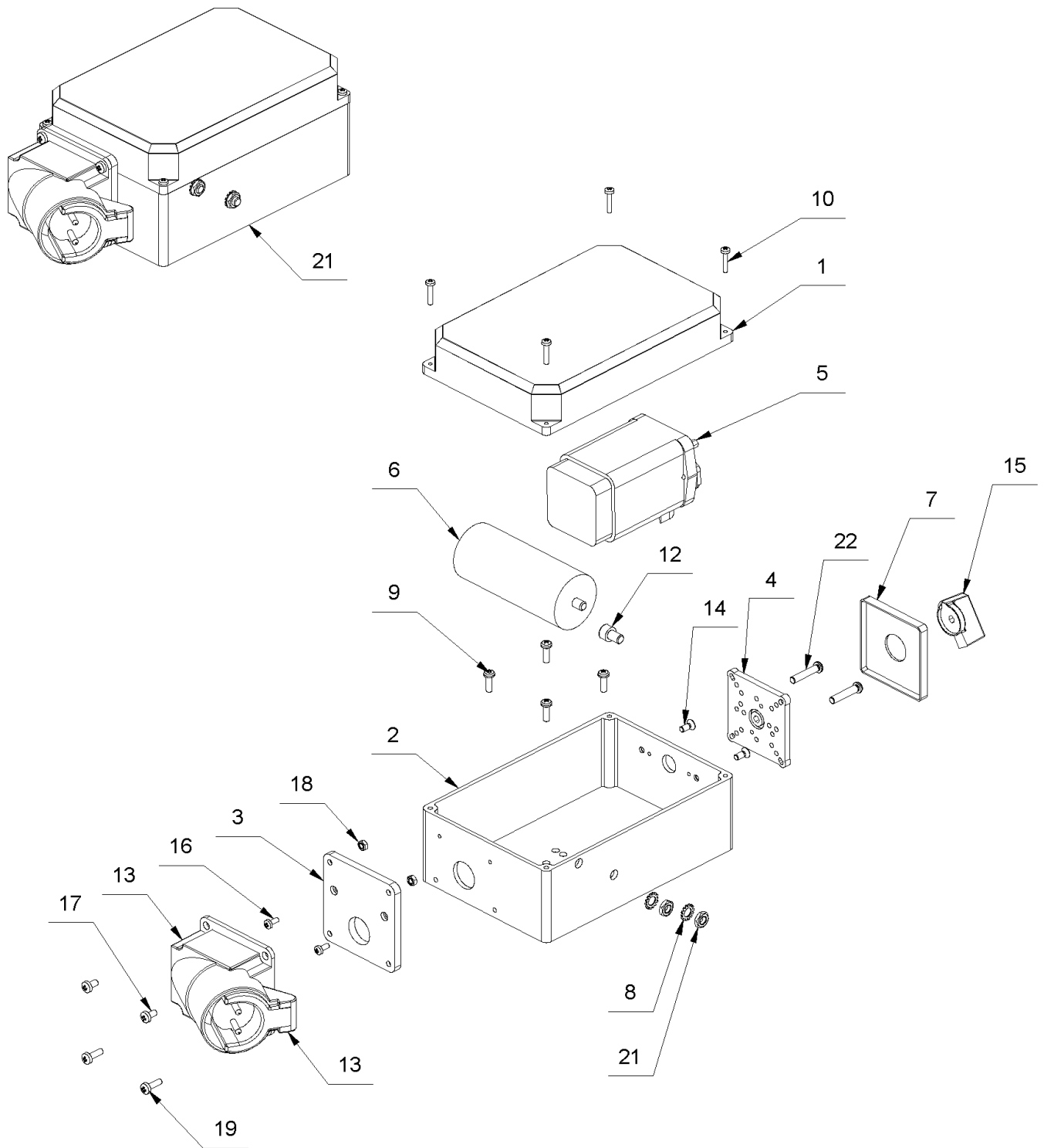
# 9 Motor



## 9 Motor

Item no.	Article no.	Description	Quantity
1	048675	motor cpl.w. socket+belt pulley Viper	1
1	048672	Motor cpl.+Socket u. belt Viper CH	1
2	033366	Engine without base and wheel	1
3	048680	Switch housing+Switch Viper	1
3	048668	Switch housing+Switch Viper CH	1
4	048648	Motor cpl Viper	1
4	048669	Motor cpl. Viper CH	1
5	043859	motor fan DIETZ 1,85 KW	1
6	043866	Rotor w.shaft axle Viper	1
7	016570	Base Viper	1
8	017060	Hexagonal screw M 8x 30 DIN 933	1
9	016571	Motor base Viper	1
10	018158	hexagon head screw M 8x 35 DIN 933	3
11	018240	disc 6,4 DIN 7349	4
12	016455	Spring washer 8 DIN 127	2
13	014810	Hexagon nut M 8 DIN 934 I6I/I8I	4
14	043895	Stator Dietz Viper	1
15	043921	Screw M 12x100 DIN 912 SEE 161846	1
16	043833	Lock washer DIN 137 - B27	1
17	043919	Cyl.head screw M 4x 4 DIN 84	1
18	043919	Cyl.head screw M 4x 4 DIN 84	4
19	043862	Drum Parallel Key DIN 6885 8x7x14	1
20	043892	Safety washer A24 DIN 471	1
21	018348	Ball bearing 6205 2RS	2
22	014547	Motor pulley Viper	1
23	017651	Cylinder head screw M8x16 DIN 912	1
24	043902	Washer 8,4x30 DIN 522	1
25	043883	Protectiv sheet Viper	1
26	014828	Washer M8 DIN 125 A	2
27	043908	Front bearing cover Viper	1
28	043839	Rear bearing cover Viper	1
29	014804	Lens head screw M4x10 DIN 7985	8

# 10 Switch box not CH

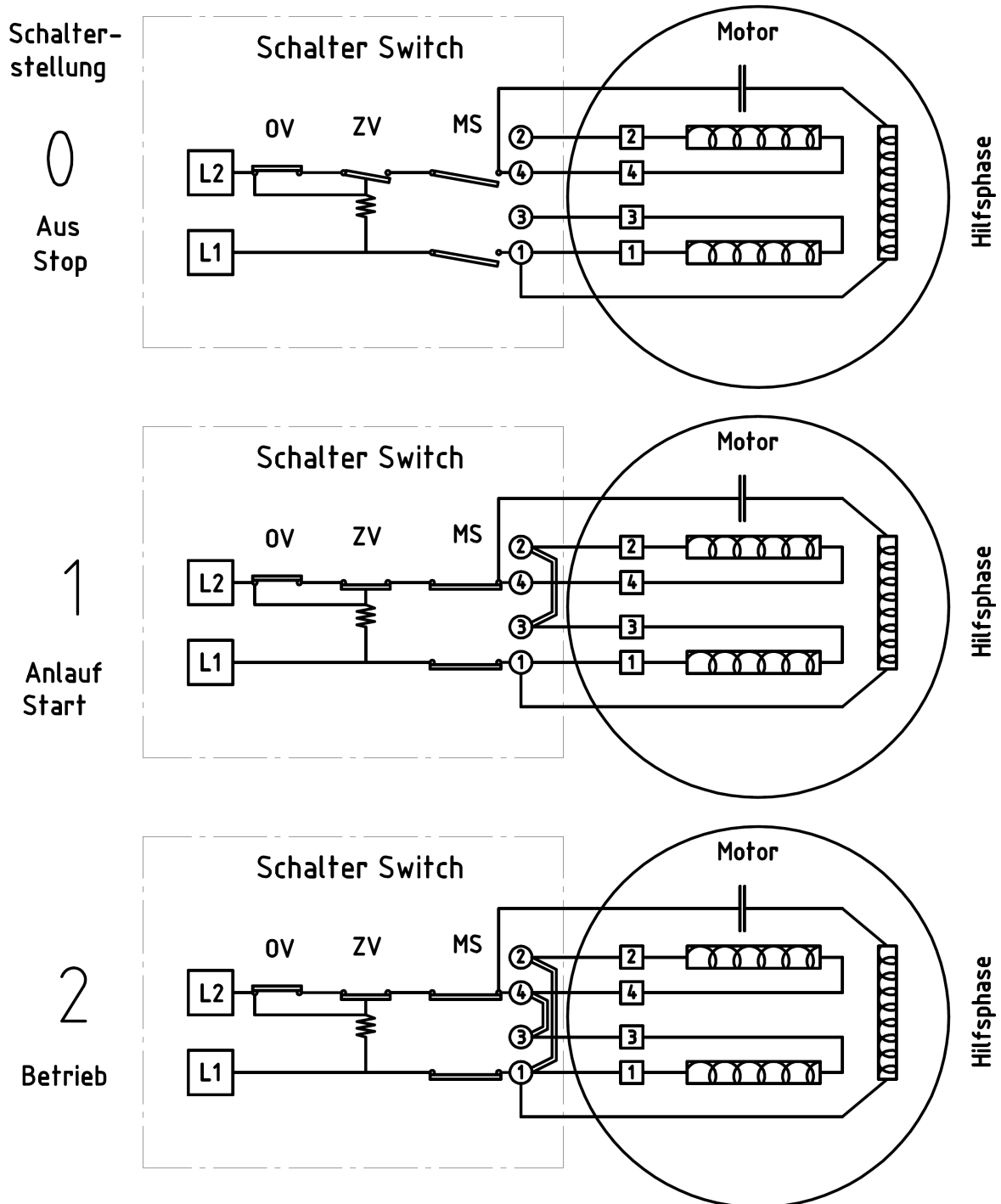


## 10 Switch box not CH

Item no.	Article no.	Description	Quantity
1	014542	314/76.94Switch box complete Viper empty	1
2	014542	314/76.94Switch box complete Viper empty	1
3	074382	Flange f. Plug for wall 16A	1
4	077217	Front panel f.switch box	1
5	043869	Switch NR152678 Cobra	1
6	043843	Start Capacitor 60 µF Ducati	1
7	043877	Plate for switch Cobra	1
8	016321	Spring washer A 8,4 DIN 6798	2
9	042835		4
10	014805	Lens screw M 4x20 DIN 7985	4
11	017676	Hexagon nut M8 DIN 936	2
12	018254	Cylinder head screw M8x12 DIN 912	1
13	048551	Plug for wall new to 1.7.2007 16 A	1
14	043890	Countersink bolt M5x12 DIN 965	2
15	043875	Switch Knob	1
16	014804	Lens head screw M4x10 DIN 7985	4
17	017681	Lens head screw M 5x10	2
18	017773	Hexagon nut M5 DIN 934	2
19	048507	lens head screw M5x16 DIN 7985	2
20	048680	Switch housing+Switch Viper	1
21	080764	Protection stopper Ø 6,6	4
22	050145	Connection terminal 3-fold	1

# 11 Circuit Diagram

## Schalterkasten mit Schaltereinsatz Nr 159 040 FRANK



OV = Überlastungsschutz = Overload - Switch

ZV = Nullspannungsauslöser = Zero - Voltage - Stop - Switch

MS = Haupt - Schalter = Main - Switch

Fällt ab bei Spannungs-  
ausfall an "CV" oder "ZV"

C<sub>0</sub> - Kondensator - Motoren  
Capaciter - Motors

## 11 Circuit Diagram

---

## 12 Tool kit #060281

Item no.	Article no.	Description	Quantity
1	016813	Multi clip URS/Gecko/Cobra/Viper	1
2	017027	Hexagonal screw key SW4 DIN 911	1
3	014956	Hexagonal screw key SW5 DIN 911	1
4	014957	Hexagonal screw key SW6 DIN 911	1
5	014959	Hexagonal screw key SW8 DIN 911	1
6	018641	Hexagonal screw key SW10 DIN 911	1
7	016842	Open-ended wrench SW10	1
8	016799	Open-end wrench SW13	1
9	017601	Open-end wrench SW17	1
10	016800	Open-end wrench SW19	1
11	018635	Open-end wrench SW24	1
12	043826	Double open-end wrench SW30/36	1
13	060253	Tool bag orange	1

## 13 Accessories

Item no.	Article no.	Description	Quantity
1	013839	DUST BAG FOR COBRA/VIPER/PYTHON	1
2	016732	Fine dust mask Gecko/URS/Cobra	1
3	015315	Hearing protectors	1
4	016569	Tool kit Viper	1
5	047382	extension cord 3G2,5x12,5 greenSchuko/Wo	1
6	050871	Techn.instr.VIPER1,85kW/50Hz m.Sanftabh.	1
7	040383	Running wheel adjusting tool cpl.Cobra	1
8	060281	Tool set Belt grinding machine	1



## 8 Tool set Belt grinding machine

---

Item no.	Article no.	Description	Quantity
9	014556	314/100Drum v-belt Viper	1

---

## 9 314/100Drum v-belt Viper

---

Item no.	Article no.	Description	Quantity
10	014557	314/101Fan v-belt Viper	1

---