
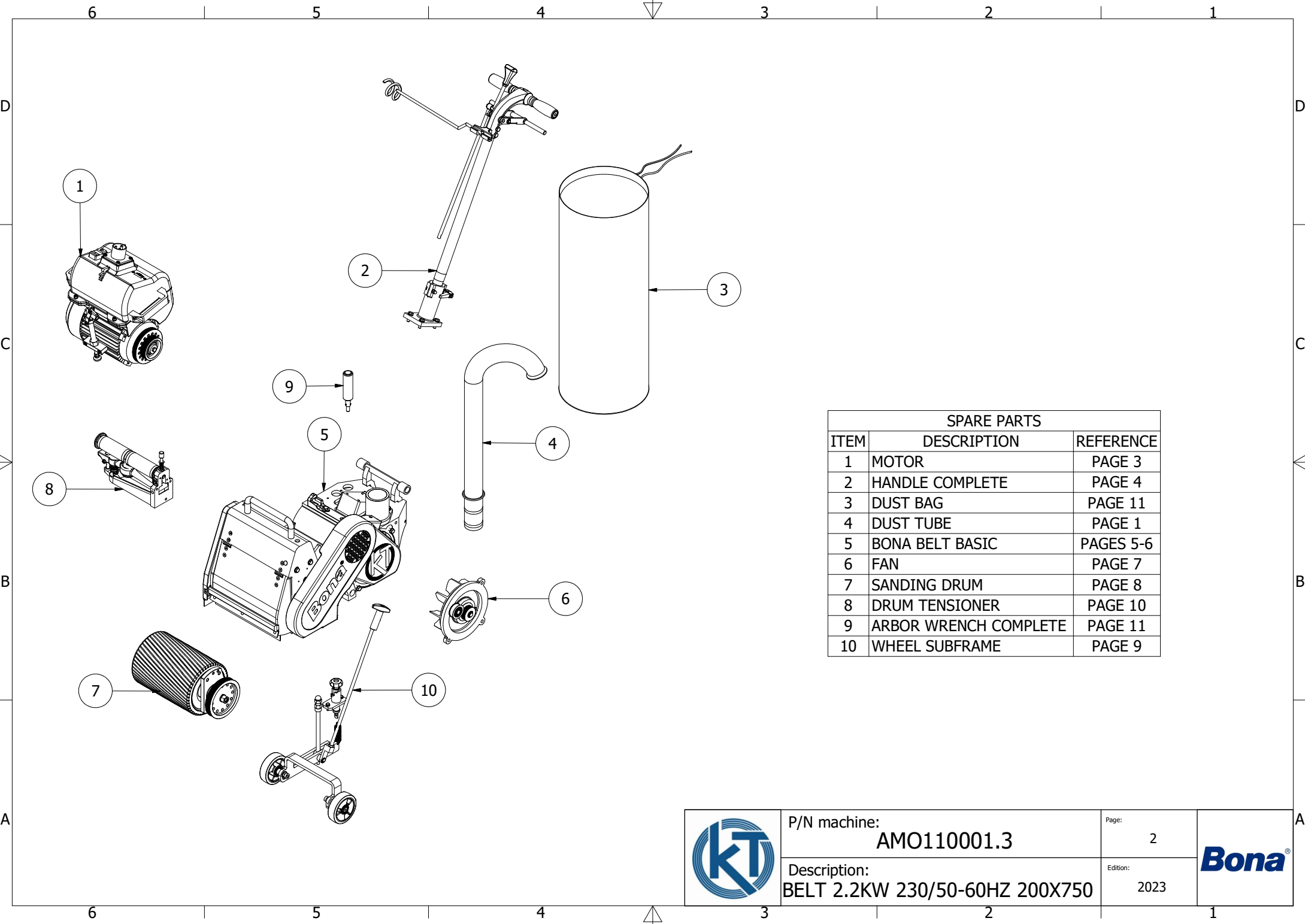


	P/N machine: AMO110001.3	Page: 1	
	Description: BELT 2.2KW 230/50-60HZ 200X750	Edition: 2023	



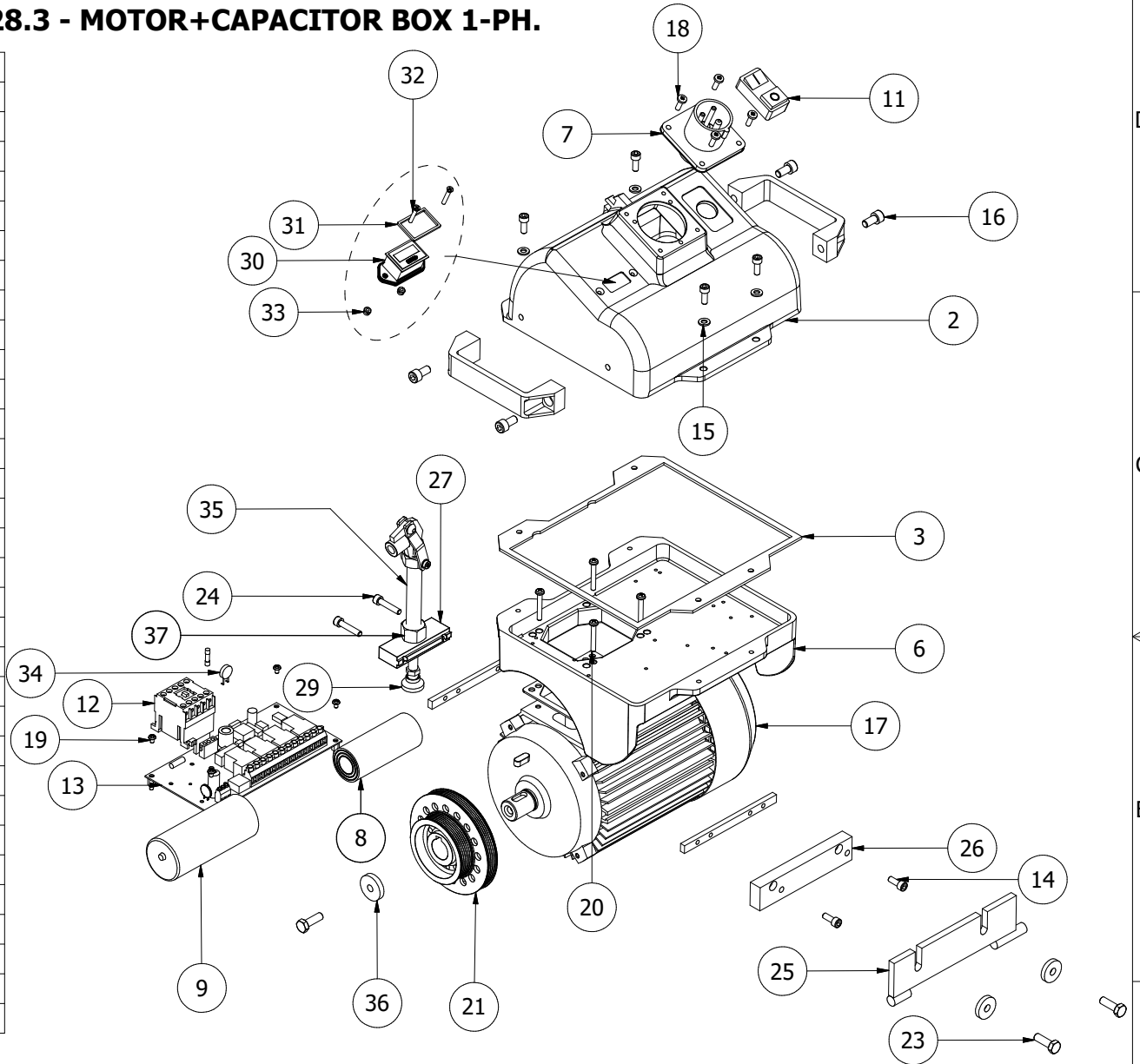
SPARE PARTS		
ITEM	DESCRIPTION	REFERENCE
1	MOTOR	PAGE 3
2	HANDLE COMPLETE	PAGE 4
3	DUST BAG	PAGE 11
4	DUST TUBE	PAGE 1
5	BONA BELT BASIC	PAGES 5-6
6	FAN	PAGE 7
7	SANDING DRUM	PAGE 8
8	DRUM TENSIONER	PAGE 10
9	ARBOR WRENCH COMPLETE	PAGE 11
10	WHEEL SUBFRAME	PAGE 9

	P/N machine: AMO110001.3	Page: 2	
	Description: BELT 2.2KW 230/50-60HZ 200X750	Edition: 2023	

ASO115828.3 - MOTOR+CAPACITOR BOX 1-PH.

SPARE PARTS

ITEM	PART NUMBER	DESCRIPTION	QTY
2	ASO115145.3	BIG MACHINE CONTROL BOX	1
3	ASO115170	RUBBER GASKET	1
6	ASO115144.3	BIG MACHINE MOTOR BOX BASE	1
7	ASO903226	MOTOR BLUE PLUG-3-POLES 16A-BELT	1
8	ASK1100030035	START CAPACITOR 35MICROFARAD-BB	1
9	ASO903035	CAPACITOR 50MF FOR 2.2KW FOR BB	1
11	ASO903772	CIRCUIT BREAKER-1/1-3PH	1
12	ASO903710	CONTACTOR-230V 5.5kW 100-M12NZ	1
13	ASO903766	COMPL.PRINTED CIRCUIT BOARD-BB.D.EA	1
14	ASK5800330602	SCREW M6x16 HE.SO.HE.CAP UNI5931 GA	6
15	ASK5802230003	WASHER 6.4X12.5 UNI6592 GALVANIZED	4
16	ASK5801430004	SCREW M8X12 STAINLESS STEEL	4
17	ASO900192	MOTOR 2.2KW 220V/50HZ-MOTOR ONLY	1
18	ASK5800230503	SCREW M5x16 UNI7687	4
19	ASK5800230405	SCREW M4X6 CROSS REC.PAN H.UNI7687	4
20	ASK5800530507	SCREW M5x35 CRO.RE.FL.HE.UNI7688 G.	4
21	ASO115245	MOTOR PULLEY POLY-V	1
23	ASK5800730803	SCREW M8x25 HEX.H. UNI5739 GALVANIZED	3
24	ASK5800330607	SCREW M6x30 H.S.H.C. UNI5931 GALVANIZ	2
25	ASO115051	EU MOTOR REAR PLATE	1
26	ASO115163	MOTOR INTERMEDIATE BLOCK-EU BB	1
27	ASO115164	MOTOR FRONT SUPPORT	1
29	ASO945148	LEAD FOOT GN343.1 25-M8 KR	1
30	ASO903888	HOUR METER CP-0009	1
31	ASO115173	GASKET FOR HOUR METER	1
32	ASK5800530405	SCREW M4X25 CROSS REC.FL.HE.UNI7688	2
33	ASK5801933004	NUT M4 SELF-LOCKING GALVANIZ.DIN982	2
34	ASO903794	OVERVOLTAGE PROTECTION-EAZY	1
35	ASO115452	COMPLETE DRIVE BELT TENSIONER EU	1
36	ASO965002	WASHER 8,2 X 30 X 6 GALVANIZED	1
37	ASO960900	DEEP NUT M16 H.15 GALVANIZED	1



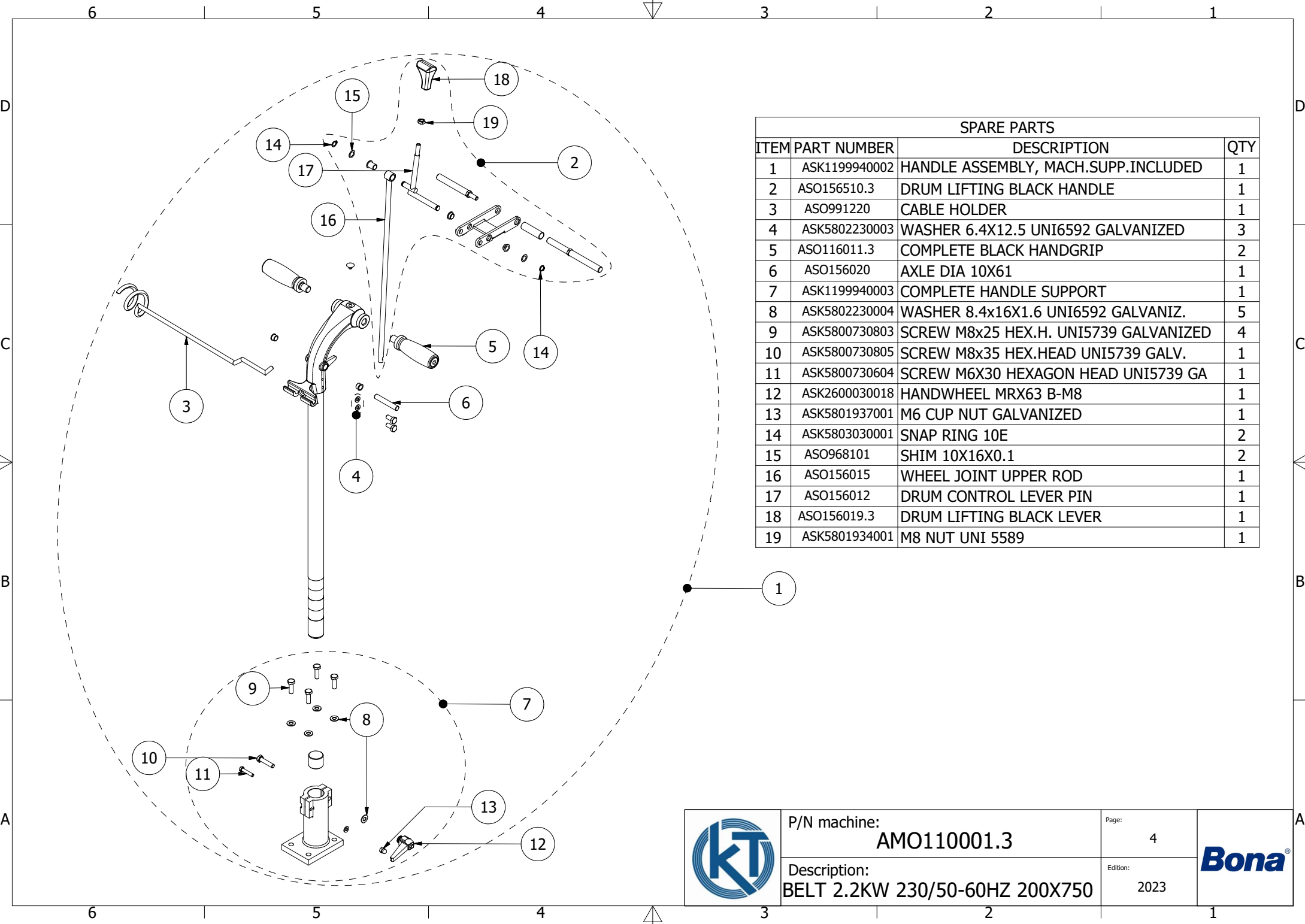
P/N machine:
AMO110001.3

Description:
BELT 2.2KW 230/50-60HZ 200X750



Page:
3

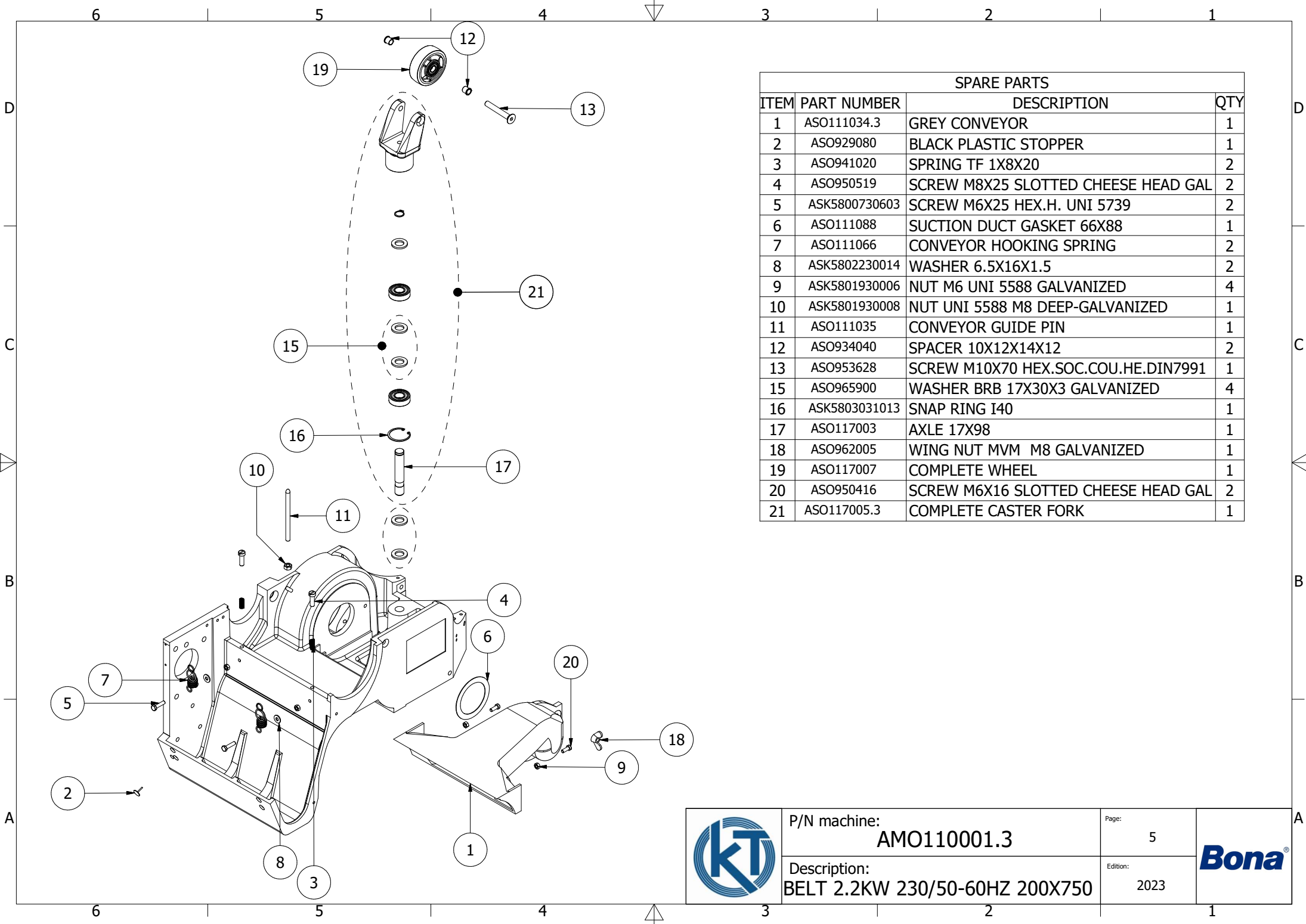
Edition:
2023

Bona



SPARE PARTS			
ITEM	PART NUMBER	DESCRIPTION	QTY
1	ASK1199940002	HANDLE ASSEMBLY, MACH.SUPP.INCLUDED	1
2	ASO156510.3	DRUM LIFTING BLACK HANDLE	1
3	ASO991220	CABLE HOLDER	1
4	ASK5802230003	WASHER 6.4X12.5 UNI6592 GALVANIZED	3
5	ASO116011.3	COMPLETE BLACK HANDGRIP	2
6	ASO156020	AXLE DIA 10X61	1
7	ASK1199940003	COMPLETE HANDLE SUPPORT	1
8	ASK5802230004	WASHER 8.4x16X1.6 UNI6592 GALVANIZ.	5
9	ASK5800730803	SCREW M8x25 HEX.H. UNI5739 GALVANIZED	4
10	ASK5800730805	SCREW M8x35 HEX.HEAD UNI5739 GALV.	1
11	ASK5800730604	SCREW M6X30 HEXAGON HEAD UNI5739 GA	1
12	ASK2600030018	HANDWHEEL MRX63 B-M8	1
13	ASK5801937001	M6 CUP NUT GALVANIZED	1
14	ASK5803030001	SNAP RING 10E	2
15	ASO968101	SHIM 10X16X0.1	2
16	ASO156015	WHEEL JOINT UPPER ROD	1
17	ASO156012	DRUM CONTROL LEVER PIN	1
18	ASO156019.3	DRUM LIFTING BLACK LEVER	1
19	ASK5801934001	M8 NUT UNI 5589	1

	P/N machine: AMO110001.3	Page: 4	
	Description: BELT 2.2KW 230/50-60HZ 200X750	Edition: 2023	



SPARE PARTS			
ITEM	PART NUMBER	DESCRIPTION	QTY
1	ASO111034.3	GREY CONVEYOR	1
2	ASO929080	BLACK PLASTIC STOPPER	1
3	ASO941020	SPRING TF 1X8X20	2
4	ASO950519	SCREW M8X25 SLOTTED CHEESE HEAD GAL	2
5	ASK5800730603	SCREW M6X25 HEX.H. UNI 5739	2
6	ASO111088	SUCTION DUCT GASKET 66X88	1
7	ASO111066	CONVEYOR HOOKING SPRING	2
8	ASK5802230014	WASHER 6.5X16X1.5	2
9	ASK5801930006	NUT M6 UNI 5588 GALVANIZED	4
10	ASK5801930008	NUT UNI 5588 M8 DEEP-GALVANIZED	1
11	ASO111035	CONVEYOR GUIDE PIN	1
12	ASO934040	SPACER 10X12X14X12	2
13	ASO953628	SCREW M10X70 HEX.SOC.CO.U.HE.DIN7991	1
15	ASO965900	WASHER BRB 17X30X3 GALVANIZED	4
16	ASK5803031013	SNAP RING I40	1
17	ASO117003	AXLE 17X98	1
18	ASO962005	WING NUT MVM M8 GALVANIZED	1
19	ASO117007	COMPLETE WHEEL	1
20	ASO950416	SCREW M6X16 SLOTTED CHEESE HEAD GAL	2
21	ASO117005.3	COMPLETE CASTER FORK	1



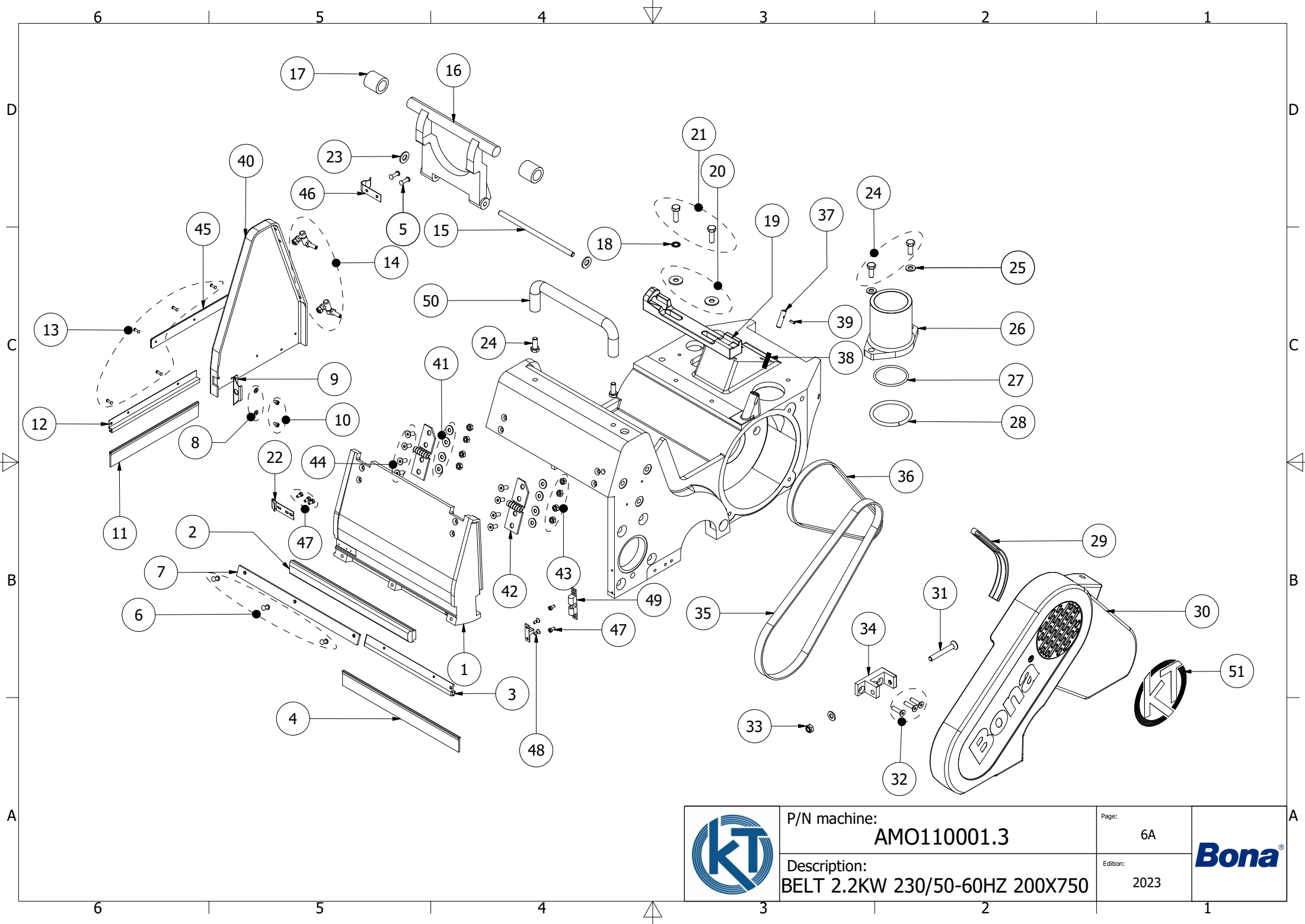
P/N machine:
AMO110001.3



Description:
BELT 2.2KW 230/50-60HZ 200X750

Page:
5



Edition:
2023



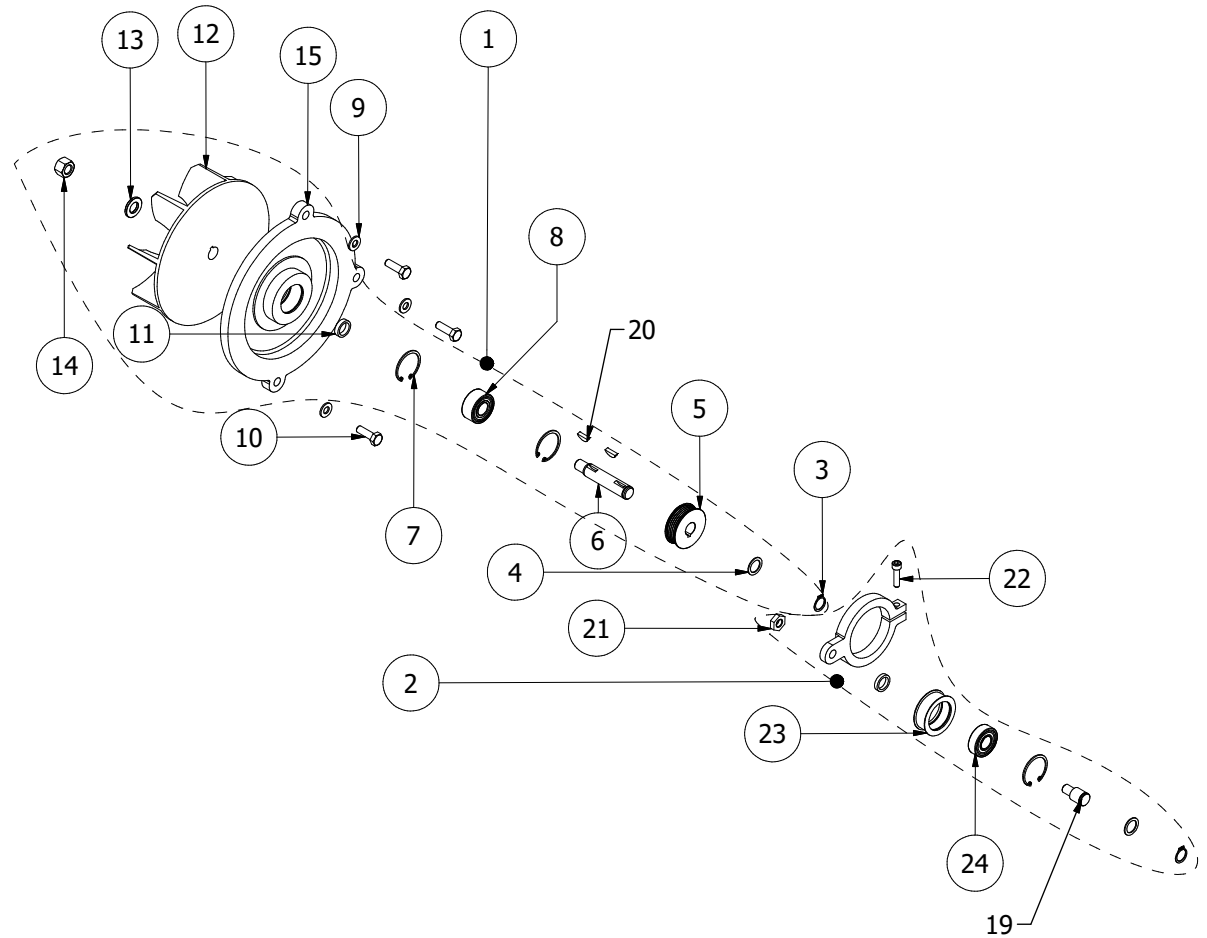




	P/N machine: AMO110001.3	Page: 6A	
	Description: BELT 2.2KW 230/50-60HZ 200X750	Edition: 2023	

SPARE PARTS				SPARE PARTS			
ITEM	PART NUMBER	DESCRIPTION	QTY	ITEM	PART NUMBER	DESCRIPTION	QTY
1	ASO111003.3	DRUM FRONT GUARD	1	27	ASO927057	O-RING 57.15X3.5	1
2	ASO929041	SEAL STRIP	1	28	ASO928061	RUBBER GASKET 6X200MM	1
3	ASO929021	DRUM GUARD TERMINAL EDGE PROFILE	1	29	ASO929030	SEALING STRIP	1
4	ASO929011	FRONT GUARD BRISTLE L=280 H=30-BB	1	30	ASO111560	DRIV.BELTS GREY GUARD+LOCK+BUSHINGS	1
5	ASK5801730003	POP RIVET 4.8X16	2	31	ASK5800630808	SCREW M8X60 UNI5933	1
6	ASO937210	BLIND RIVET-AL/ST 4.8X10.3 BLACK	3	32	ASO953419	SCREW M6X25 HE.SO.CO.HE.DIN7991 S-C	3
7	ASO111016.3	BLACK METAL STRIP	1	33	ASO961500	LOCKING NUT M8 GALVANIZED	1
8	ASK5802230001	WASHER D4 GALVANIZED-FLAT	2	34	ASO151024.3	BELTS GUARD GREY HINGE	1
9	ASO111081	PLATE FOR SIDECOVER LOCKING	1	35	ASO924328	DRUM DRIVE BELT MEC M.RIBS PJ838	1
10	ASO957812	SCREW M4X6 TORX CAP HE.DIN7985 GAL.	2	36	ASO924260	FAN POLY-V DRIVE BELT 260 J5PJ660	1
11	ASO929012.3	SIDE GUARD BRISTLE L=220 H=30 BB	1	37	ASO111061	DRIVE BELTS GUARD LOCKING PLUNGE	1
12	ASO929022.3	SIDE COVER PROFILE	1	38	ASO941021	SPRING TF 1X6.3X28.3	1
13	ASO937113	BLIND RIVET 3.2X9.7	5	39	ASK5803733003	SPRING PIN 3x10 UNI6874/71	1
14	ASO111015.3	COMPLETE SIDE GUARD PINTLE	2	40	ASO111204.3	COMPLETE DRUM SIDE GUARD	1
15	ASO111037	REAR FOOT SHAFT	1	41	ASK5802230014	WASHER 6.5X16X1.5	8
16	ASO111036.3	REAR FOOT	1	42	ASO111055.3	FRONT GUARD HINGE	2
17	ASO929051	RUBBER FEET 26X3.5	2	43	ASK5801930006	NUT M6 UNI 5588	8
18	ASK5802236008	INT.EXT.SERRATED LOCK WASHER M8	1	44	ASO953416	SCREW M6X16H H.S.C.H.DIN7991 S-COL.	8
19	ASO111041.3	MOTOR REAR SUPPORT-BB	1	45	ASO111013	WALL EDGE L=210 MM	1
20	ASK5802234001	FLAT WASHER 8.4X24X2 6593-69 GALV.	2	46	ASO111038	HOOKING CLIP FOR REAR FOOT	1
21	ASK5800730803	SCREW M8x25 UNI5739 GALVANIZED	2	47	ASO957912	SCREW M4X8 TORX CAP HE.TT DIN7500C	5
22	ASO111080	FRONT GUARD LOCKING SPRING	1	48	ASO958304	SCREW M4X10 TORX COUNTERSUNK HEAD G	2
23	ASK5802230005	WASHER 10.5x20 UNI6592 GALVANIZ- FLAT	2	49	ASO945160	MILLED LOCKING BLOCK	1
24	ASK5800730802	SCREW M8x20 HEX.H. UNI5739 GALVANIZED	4	50	ASO945192	BLACK HANDLE CC-192	1
25	ASK5802230004	WASHER 8.4x16X1.6 UNI6592 GALVANIZ.	3	51	ASK5100031293	KT ROUND BLUE LABEL D130	1
26	ASO111018.3	SUCTION PIPE COLLAR	1				

	P/N machine: AMO110001.3	Page: 6B	
	Description: BELT 2.2KW 230/50-60HZ 200X750	Edition: 2023	

SPARE PARTS			
ITEM	PART NUMBER	DESCRIPTION	QTY
1	ASO114503	FAN PAINTED BUSHING FOR POLY-V	1
2	ASO114600.3	COMPLETE GREY TIGHTENING PULLEY	1
3	ASK5803030003	SNAP RING 15E	2
4	ASO968310	SPACER 15X21X1	1
5	ASO114204	FAN PULLEY POLY-V	1
6	ASO114003	FAN SHAFT	1
7	ASK5803031007	I35 SNAP RING	3
8	ASK5804033002	BEARINGS 3202 A-2RS1 TN9/MT33	1
9	ASO965500.3	WASHER 8.4X16X1.5-BRB BLACK	3
10	ASO951519.3	SCREW M8X25 HEXAGON HEAD-BLACK	3
11	ASO934009	SPACER 20X15.2X5	1
12	ASO114002	FAN	1
13	ASK5802230006	WASHER 13x24 UNI6592 GALVANIZED	1
14	ASK5801930012	NUT M12 HEXAGONAL UNI5588 GALVANIZ.	1
15	ASO114401	FAN BUSHING	1
19	ASO114103	AXLE 15X32	1
20	ASO933416	WOODRUFF KEY WK 4X16	2
21	ASK5801934002	LOWER HEX. NUT M10 UNI 5589-GALVANIZED	1
22	ASK5800330606	SCREW M6X25 HEX.SOC.HEA.CAP GALVANIZ	1
23	ASO114102	TIGHTENING PULLEY (ONLY PULLEY)	1
24	ASO916202	BEARING 6202-2RSH/C3	1



	P/N machine: AMO110001.3	Page: 7	
	Description: BELT 2.2KW 230/50-60HZ 200X750	Edition: 2023	

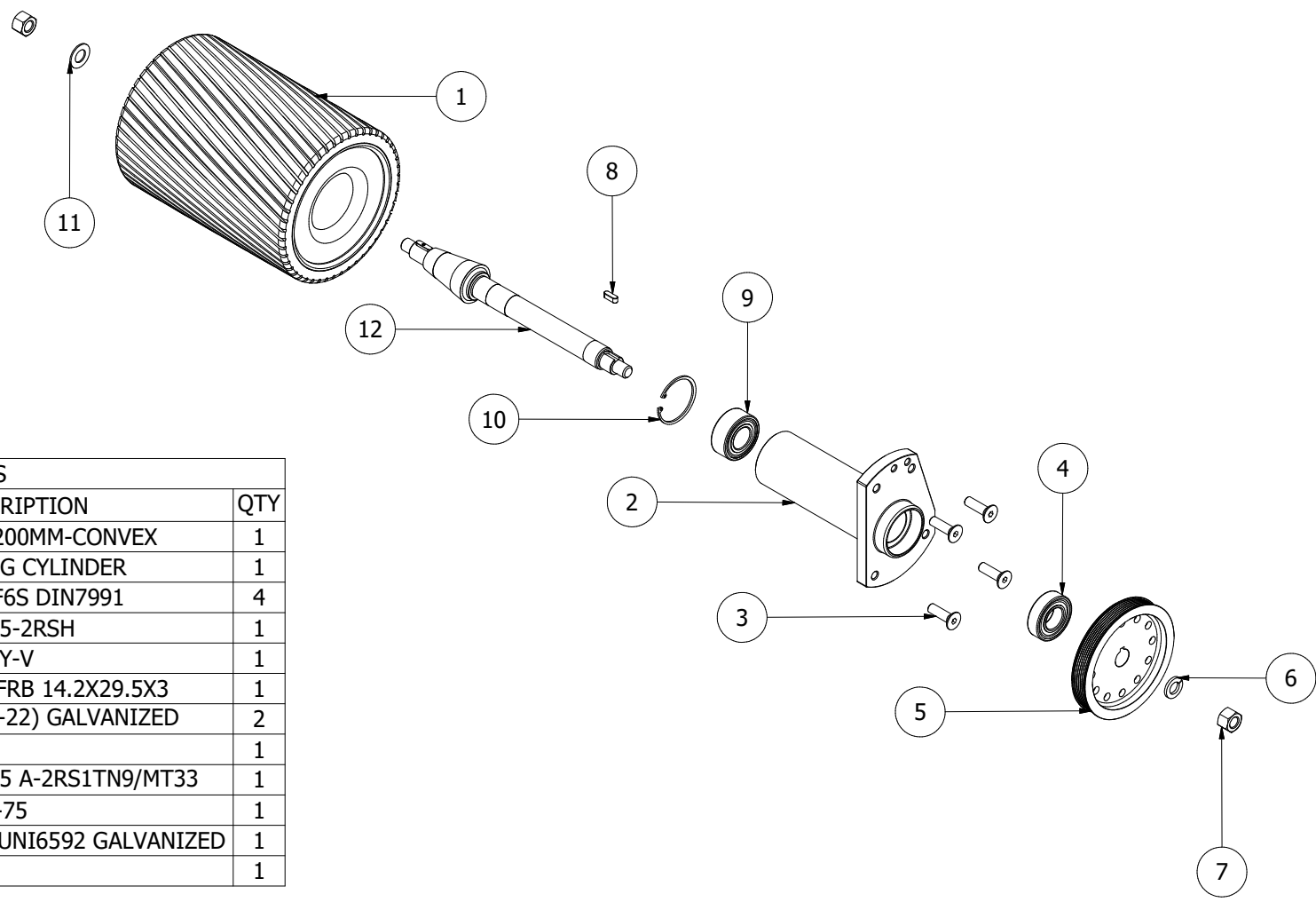
6 5 4 3 2 1

D



C

B

A

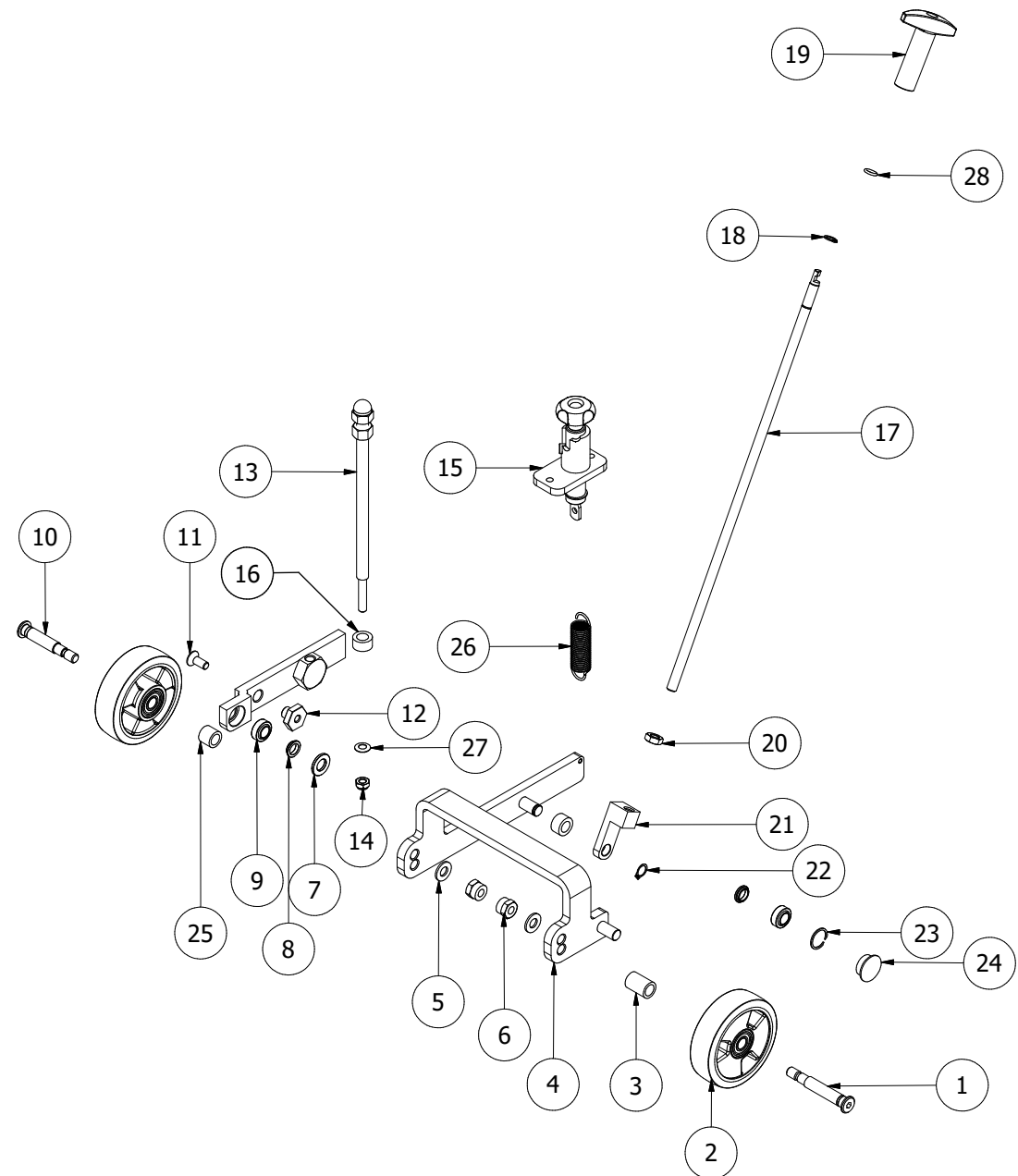




SPARE PARTS			
ITEM	PART NUMBER	DESCRIPTION	QTY
1	ASO112600.3	COMPLETE DRUM 200MM-CONVEX	1
2	ASO112104	BEARINGS HOLDING CYLINDER	1
3	ASO953621	SCREW M10X35 MF6S DIN7991	4
4	ASO916205	BALL BEARING 6205-2RSH	1
5	ASO112218	DRUM PULLEY-POLY-V	1
6	ASO965503	ELASTIC WASHER FRB 14.2X29.5X3	1
7	ASO960800	NUT M6M M14 (NV-22) GALVANIZED	2
8	ASO932618	KEY 6X6X18	1
9	ASO913205	BALL BEARING 3205 A-2RS1TN9/MT33	1
10	ASK5803031011	RING 52I UNI7437-75	1
11	ASK5802230009	WASHER R40 M14 UNI6592 GALVANIZED	1
12	ASO112107	DRUM SHAFT	1

	P/N machine: AMO110001.3	Page: 8	
	Description: BELT 2.2KW 230/50-60HZ 200X750	Edition: 2023	

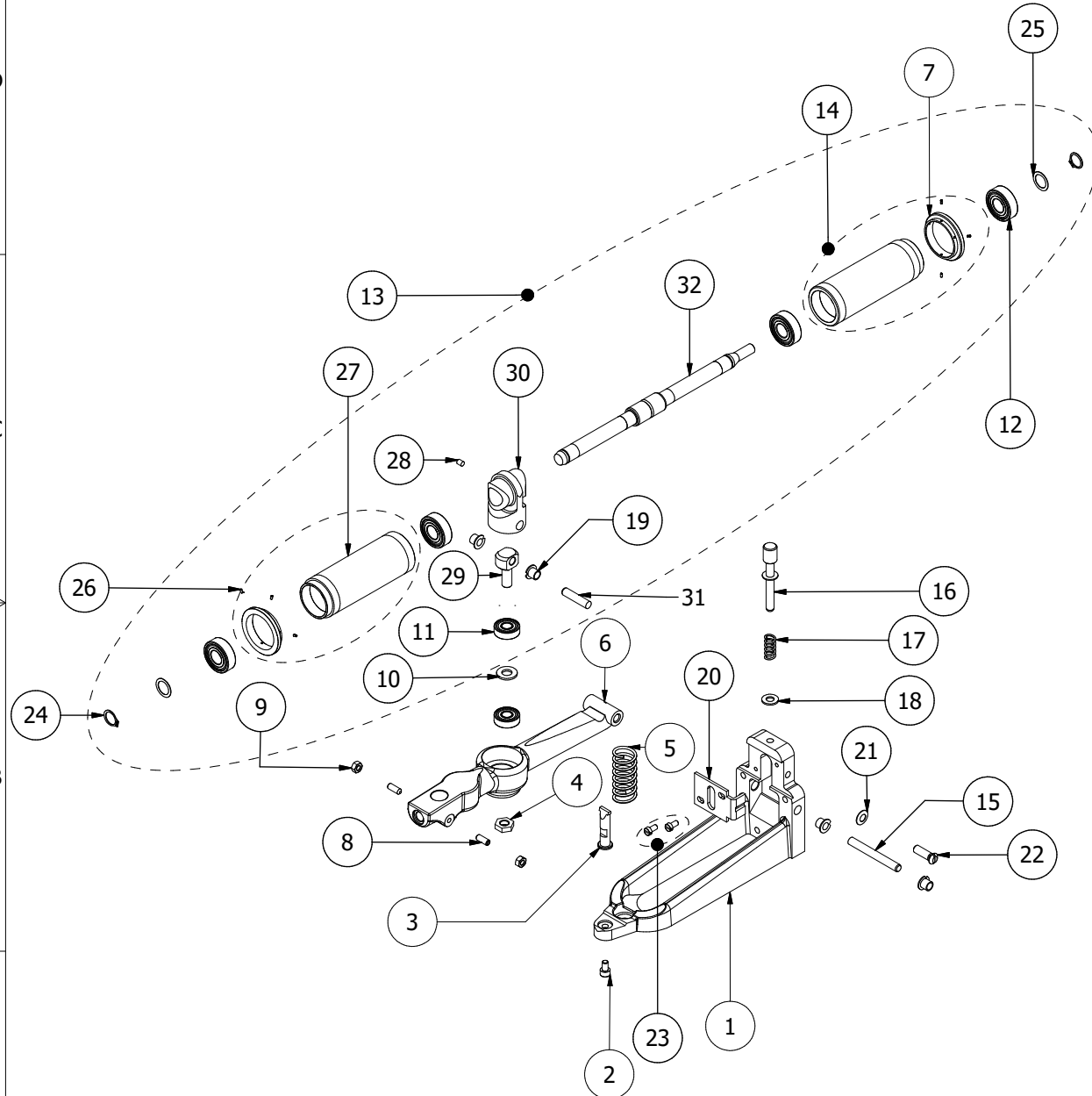
6 5 4 3 2 1

SPARE PARTS			
ITEM	PART NUMBER	DESCRIPTION	QTY
1	ASO118002	PIN FOR WHEEL 100MM L=85MM	1
2	ASO117107	COMPLETE WHEEL DIA 100MM	2
3	ASO934037	SPACER 18X12.5X26	1
4	ASO118027	WHEEL SUPPORT	1
5	ASK5802230005	WASHER 10.5x20 UNI6592 GALVANIZED	2
6	ASK5801933010	NUT M10 SELF-LOCKING GALVANIZED	2
7	ASK5802230006	WASHER 13x24 UNI6592 GALVANIZED	1
8	ASO118155	SPACING SHORT SLEEVE	1
9	ASO918012	SPHERICAL BEARING GE12E	2
10	ASO118003	PIN FOR WHEEL 100MM L=75MM	1
11	ASK5800630801	SCREW M8x20 H.S.C.H. UNI5933 GALVANIZED	1
12	ASO118131	SPACING PIN	1
13	ASO118600	COMPLETE THREADED PIN	1
14	ASO961500	LOCKING NUT M8 GALVANIZED	1
15	ASO118500.3	DRUM PRESSURE ASSEMBLY	1
16	ASO934026	SPACER 20X12.2X11	2
17	ASO118017	DRUM LIFTING LOWER ROD	1
18	ASK5803030001	SNAP RING 10E	1
19	ASO116016	DRUM LIFTING RODS JOINT HANDLE	1
20	ASO960600	NUT M6M M10 GALVANIZED	1
21	ASO118031	WHEEL SUPPORT GUIDE BRACKET	1
22	ASK5803030002	SNAP RING 12E	1
23	ASO931022	WAVE SPRING SB22	1
24	ASO945722	WHEEL SUPPORT WHITE PLASTIC COVER	1
25	ASO934013	SPACER 18X12.2X15	1
26	ASO940070	SPRING SS1774 2X18X75	1
27	ASO943500	BELLEVILLE WASHER 8.2X16X0.6	1
28	ASO927009	O-RING 9.3X2.4	1





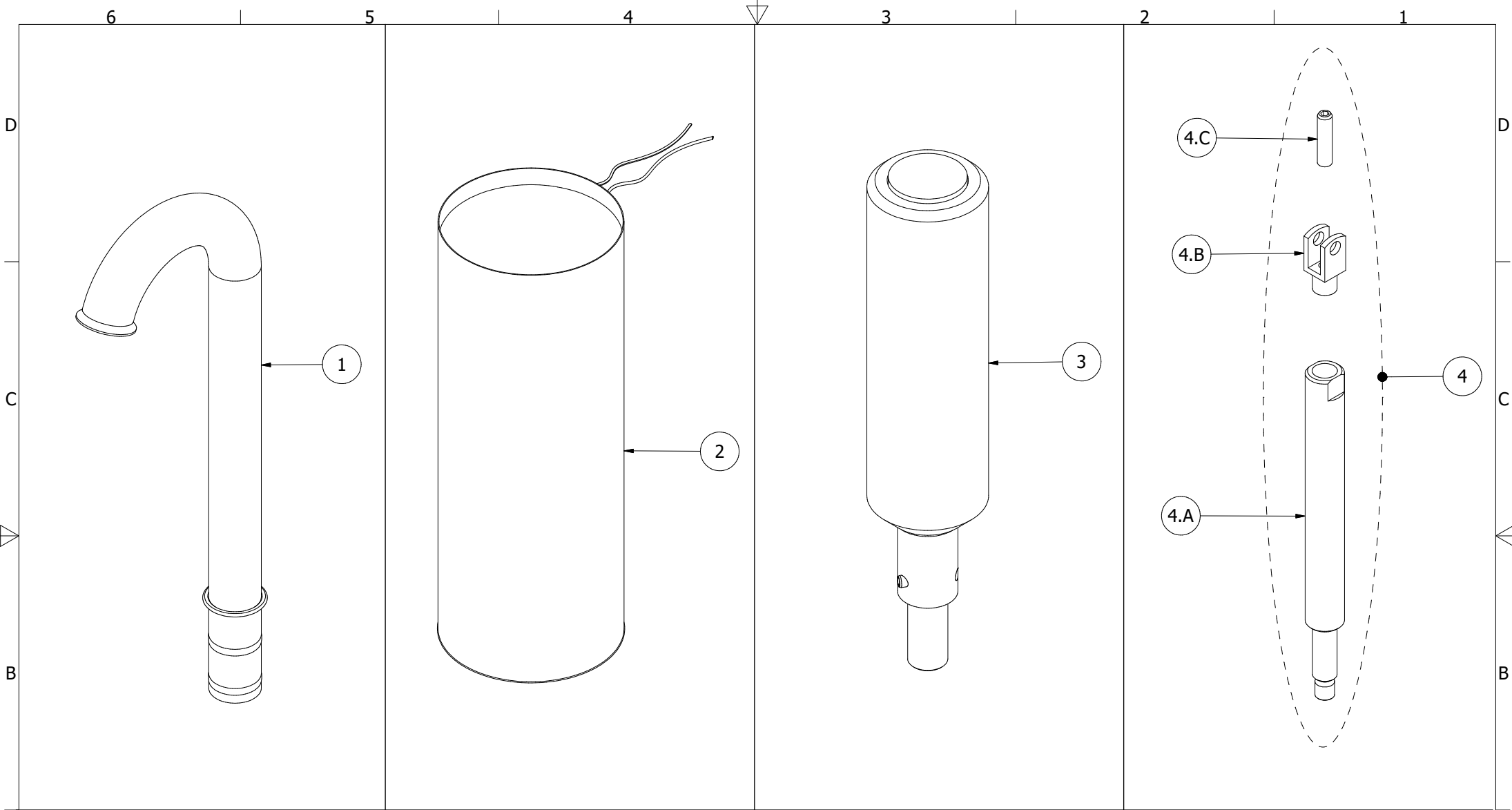
	P/N machine: AMO110001.3	Page: 9	
	Description: BELT 2.2KW 230/50-60HZ 200X750	Edition: 2023	

ASO113750 - COMPLETE TENSIONER 200MM



SPARE PARTS			
ITEM	PART NUMBER	DESCRIPTION	QTY
1	ASO113701	TENSIONER SUPPORT	1
2	ASK5800330601	SCREW M6x10 HE.SO.HE.CA.UNI5931 GAL	1
3	ASO113709	TENSIONER STOP PIN 15X45	1
4	ASK5801934002	LOWER HEX. NUT M10 UNI 5589 GALV	1
5	ASO941080	SPRING TF 2.5X22X80	1
6	ASO113752	ARM 200 MM	1
7	ASK1100043707N	END GUIDE-4 HOLES-NITRIDED	2
8	ASO957415	GRUB SCREW M6X16 DIN915	2
9	ASK5801930006	NUT M6 UNI 5588 GALVANIZED	2
10	ASK5802230005	WASHER 10.5x20 UNI6592 GALVANIZ-FLAT	1
11	ASO916000	BALL BEARING 6000-2RSH	2
12	ASO916202	BEARING 6202-2RSH/C3	4
13	ASO113831	DRUM TENSIONER WITH BEARINGS 200MM	1
14	ASO113821	TENSIONER EDGE GUIDE 200MM	2
15	ASO935570	CYLINDRICAL PIN 8X70	1
16	ASO113724	FINE PITCH ADJUSTMENT SCREW 14X80	1
17	ASO941027	SPRING TF 1.6XDM10X27	1
18	ASK5802230004	WASHER 8.4x16X1.6 UNI6592 GALVANIZ.	1
19	ASO948008	FLANGED BUSHING NB1F 0809	4
20	ASO113708	ADJUSTMENT PLATE	1
21	ASO943500	BELLEVILLE WASHER 8.2X16X0.6	1
22	ASO113725	COARSE PITCH ADJUSTMENT SCREW 12X28	1
23	ASO958082	SCREW 5X10 SL.CH.H. GALVAN.STEEL	2
24	ASK5803030003	SNAP RING 15E	2
25	ASO968305	SPACER 15X21X0.5	2
26	ASO936009	SPRING PIN FRP 2X4	6
27	ASO113755	CYLINDER 200MM	2
28	ASO956312	GRUB SCREW M5X8-POINTED	1
29	ASO113703	CONNECTOR 23X40	1
30	ASO113704	BALANCING SUPPORT	1
31	ASO935535	CYLINDRICAL PIN 8X36	1
32	ASO113757	AXLE 200 MM	1

	P/N machine: AMO110001.3	Page: 10	
	Description: BELT 2.2KW 230/50-60HZ 200X750	Edition: 2023	



SPARE PARTS

ITEM	PART NUMBER	DESCRIPTION	QTY
1	ASO116600	COMPLETE SUCTION PIPE	1
2	ASO991000	BIG DUST BAG WITHOUT ZIP-EU	1
3	ASO113800	ARBOR WRENCH	1
4	ASK1199940001	BELT TENSION.PIN+GRUB SCR.+FORK BB	1
4.A	ASO115157	ABRAS.BELT TENSION ADJUSTMENT PIN	1
4.B	ASO945039	CONNECTING CLEVIS-M6X12 DIN71752	1
4.C	ASO955419	GRUB SCREW M6X25-CUP POINT BLACK	1



P/N machine:
AMO110001.3

Description:
BELT 2.2KW 230/50-60HZ 200X750

Page:
11

Edition:
2023

Bona®