



ITEM	QTY	DESCRIPTION	PART NUMBER
1	4	Screw M8x35 DIN 7984	ASO952521
2	4	Washer Ø8,4xØ16x1,6 galvanized	ASK5802230004
4	1	Screw hexagonal head M6x14H galvanized	ASO951415
5	1	Washer Ø6,5xØ20x3 galvanized	ASK5100030247
6	1	Complete pulley+fan GT5MR Edge 130	2399940075
7	2	Complete wheel 50 mm	ASO231700
8	4	Cover plug 16/13-8 black	ASO929086
9	4	Screw Torx MRT M6x10 T30 DIN7985 galvanized	ASO957821
10	2	Low nut M16 H.8 galvanized	ASO960090
11	2	O-ring 44,2x3	ASO927044
12	1	Motor 2kW 230V-50Hz	no longer available
13	1	Clips WHA galvanized 19-24	ASO945563
14	1	Flanged Torx screw M3.5x10	ASO958105
15	1	Box spanner 17mm (included into tool bag)	ASO990717
16	1	Complete cap 230V Bona Edge	ASO231552.3
17	1	Complete handle Bona Edge	ASO231057
18	1	BE handle fixing little block	ASO231058
19	2	Screw Torx MRT M6x50 T30 DIN7985 galvanized	ASO957830
20	1	Halogen lamp MR11 ALU 12V 20W	ASO901503
21	4	Screw MFT-Torx T30 M6x20 galvanized	ASO958352
22	2	Side guard black cover BE '05	ASO231056
23	1	Complete motor drilled cover for filter Bona Edge	2399940055
24	0,2 m	Rubber gasket Ø3mm	ASO928030
25	4	Screw MPX-Z M5x65 fzb	ASO958065
26	1	BE fan lock plate	ASO232713
27	1	Belt Gates GT3 - 5505MGT H.12 BE130	2300030074
28	2	Screw MFT-Torx A4 M5x10 galvanized	ASO958313
29	1	Driving belt cover+ seal BE130	2399940078
29.1	1	Driving belt cover GT3 5MGT BE130	2300030076
29.2	1	Driving belt cover seal BE130	2300030077
30	1	Bona Edge suction pipe	ASO231003.3
31	1	Dust bag Edge EU	ASO992003
32	1	Motor machined grey support BE130mm	ASO232712.3
33	1	Anti-Jamming filter	2300030070
34	2	Spring pin FRP 3x12	ASO936114
35	1	Complete arm Bona Edge 130 assembly	ASO235010.3
36	2	Screw M4x10 UNI7687 galvanized	5800230402
37	2	Self-locking nut M4 DIN982 galvanized	5801933004
38	2	Washer Ø4 galvanized	5802230001
39	1	Strain relief	6600030031
40	1	KT round label Ø55	5100031286

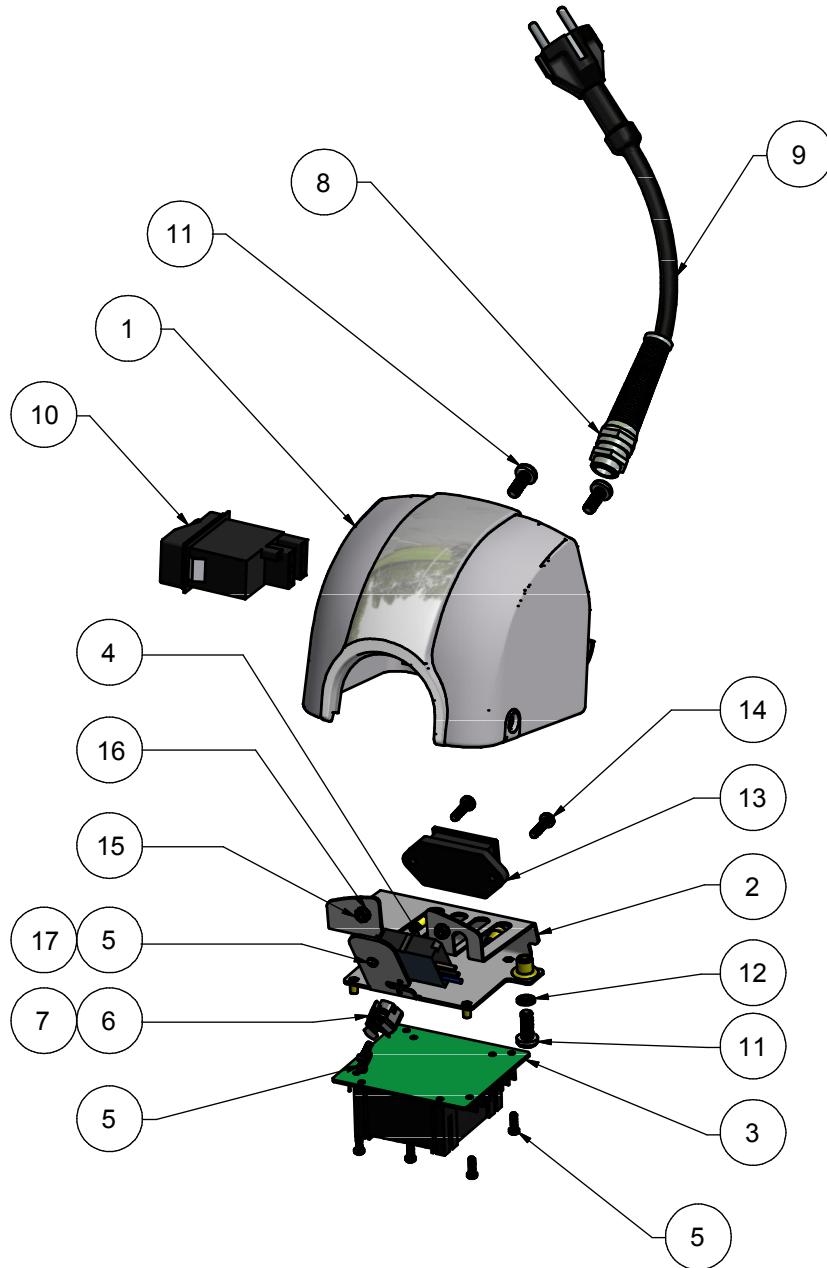
Other parts:

ASO991135 Tool bag Bona Edge complete
 2900030115 Cable ext. 7m with Schuko plug/socket
 ASO991232 Face mask - hear caps compl.
 ASO929140 Adhesive velcro strip

If your serial number is lower than BE1614401 you have to order part number 2399940076 - New transmission conversion assembly Edge 130 (See page 6)



If your serial number is lower than BE1614401 you have to order part number 2399940076 - New transmission conversion assembly Edge 130 (See page 6)

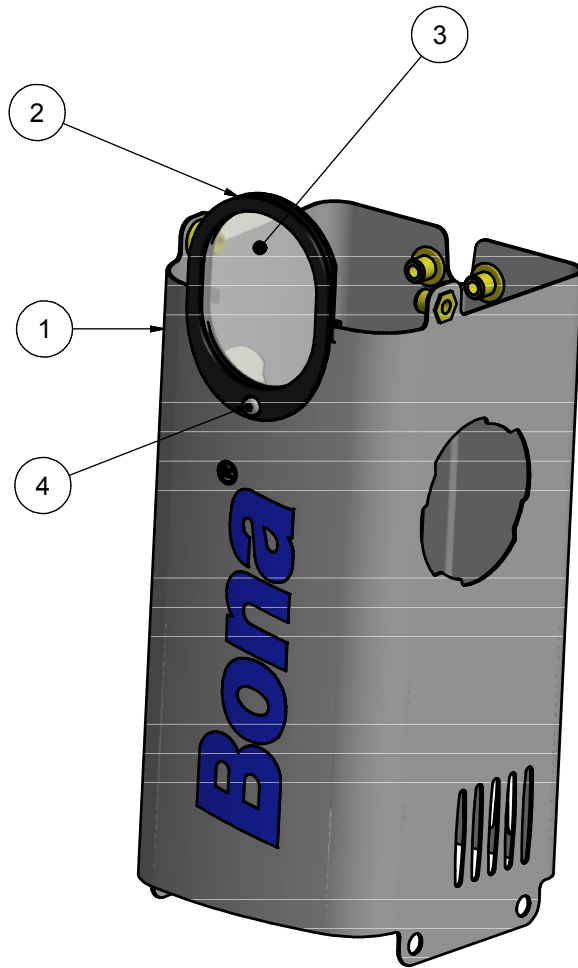
Designed by NA	Approved by KT Technical Department	Date October 2016
 		Description Bona Edge 130mm 2kW 230V/50-60Hz
AMO230018.3		Page 1 / 6



ASO231552.3 - Complete cap 230V Bona Edge

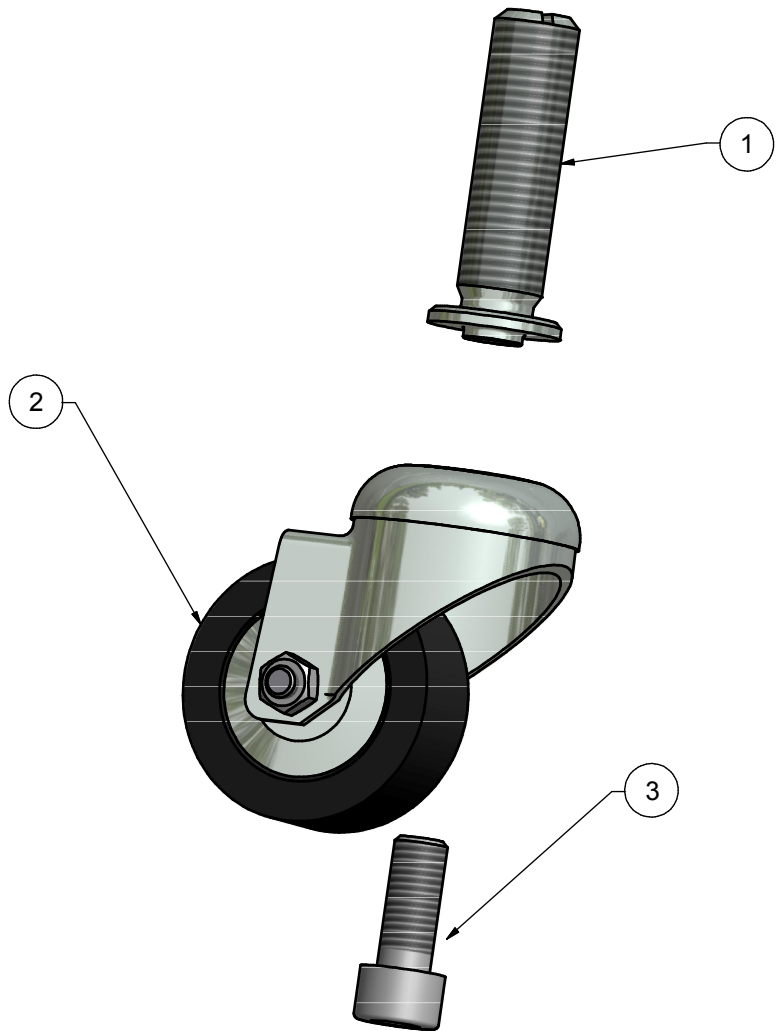
PARTS LIST			
ITEM	QTY	DESCRIPTION	PART NUMBER
1	1	Grey cap Bona Edge	ASO231052.3
2	1	Bracket for circuit card BE	ASO231059
3	1	Printed circuit board 230V Bona Edge	ASO231060
4	1	Complete soft start 230V	ASO233879
5	9	Screw Torx M3x10 DIN7985 galvanized	ASO957804
6	1	Lamp holder G4 with connector	ASO901511
7	1	Spring for lamp support	ASO901502
8	1	Metal cable gland M16x1.5	ASO901518
9	1	Black cable+schuko socket 3x1.5	ASO903880
10	1	Complete switch BE 12A 230V/50Hz	ASO233876
11	3	Screw Torx MRT M6x16 T30 DIN7985 galvanized	ASO957823
12	1	Spring washer Ø6 1751 galvanized	ASK5802231002
13	1	Hour meter	ASO903888
14	2	Screw Torx MRT M4x16 DIN7985 galvanized	ASO957809
15	2	Nut M4 hexagonal UNI5588 galvanized	ASK5801930004
16	2	Lock washer 4 6798/J inn. galvanized	ASK5802233003
17	1	Nut M3	ASK5801931003

Designed by NA	Approved by KT Technical Department	Date October 2016
 		Description Bona Edge 130mm 2kW 230V-50/60Hz
		AMO230018.3
		Page 2 / 6



2399940055 - Complete motor drilled cover for filter Bona Edge

PARTS LIST			
ITEM	QTY	DESCRIPTION	PART NUMBER
1	1	Motor drilled cover for filter BE	ASK2300040055
2	1	Rubber gasket for glass	ASO261017
3	1	Lamp glass	ASO261007
4	1	Flanged Torx screw M3.5x10	ASO958105

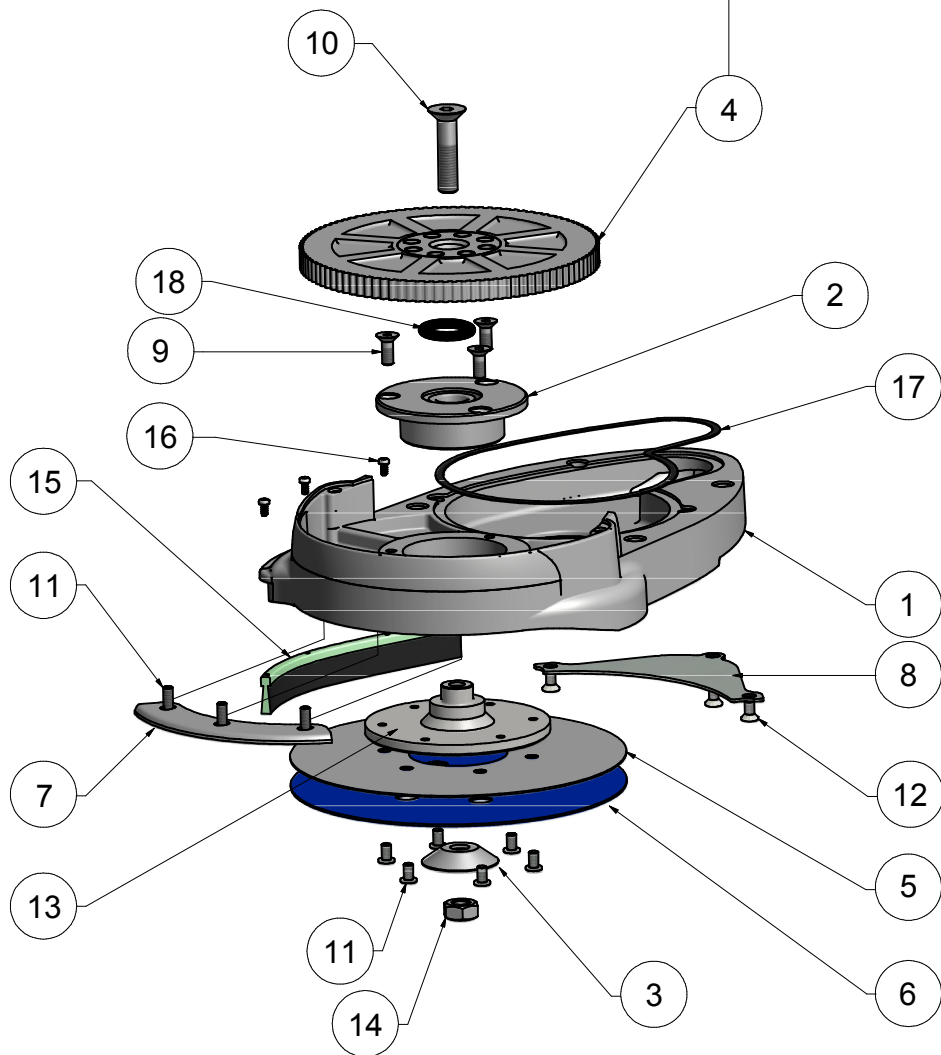


ASO231700 - Complete wheel 50 mm

PARTS LIST			
ITEM	QTY	DESCRIPTION	PART NUMBER
1	1	Wheel pin M16x60xM10	ASO231037
2	1	Complete Polyurethane wheel 50mm	ASO945350
3	1	Screw M10x25 DIN912 galvanized	ASO952619

If your serial number is lower than BE1614401 you have to order part number 2399940076 - New transmission conversion assembly Edge130 (See page 6)

ASO235010.3 - Complete arm Bona Edge 130 assembly





4* ASO232005 Cogged belt pulley dia. 158 plastic version

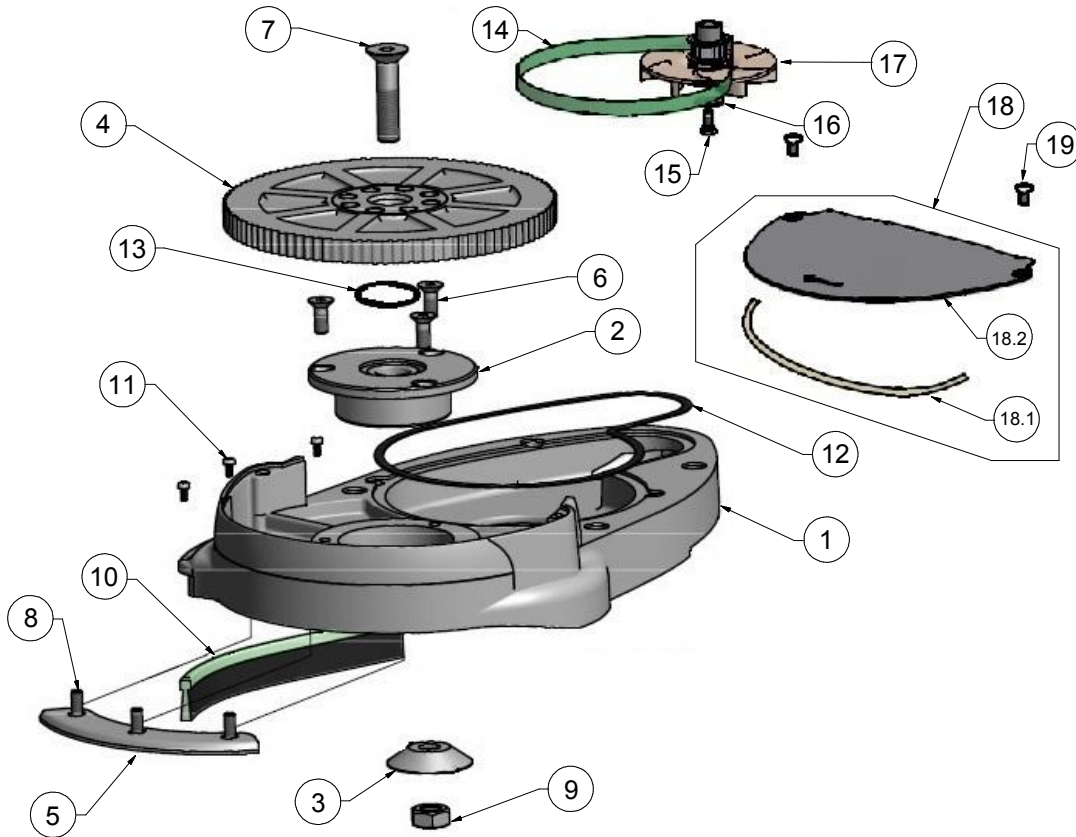
PARTS LIST			
ITEM	QTY	DESCRIPTION	PART NUMBER
1	1	Machined grey arm Edge 130 new transmission	ASO231052.3L
2	1	Bearings support + bearings	ASO232102
3	1	Conical washer	ASO222053
4*	1	Cogged belt pulley Alu dia. 158	ASO232012
5	1	Steel disc Bona Edge	ASO232008
6	1	Velcro disc Ø 178mm	ASO222059
7	1	Backing disc guard	ASO222061
8	1	Short BE suction metal sheet	ASO232829
9	3	Screw M6x16H DIN7991	ASO953416
10	1	Screw hex.sock.count.s-col.M10x45	ASO953623
11	9	Screw Torx M5x8 galvanized	ASO958012
12	3	Screw MFT-Torx A4 M5x10 galvanized	ASO958313
13	1	Sanding centre	ASO232207
14	1	Brass nut M6M M10	ASO963600
15	1	Dust brush H17 L158	ASO929018
16	3	Screw 2,9x6,5 Torx so.he.ca DIN798	ASO958229
17	1	Seal for fan cover plate	ASO232831
18	1	Elastic ring Ø18xØ25x0,5	ASK5803230009

If your serial number is lower than BE1614401 you have to order part number 2399940076 - New transmission conversion assembly Edge130 (See page 6)



4* ASO232005 Cogged belt pulley dia. 158 plastic version

Designed by NA	Approved by KT Technical Department	Date October 2016
 		Description Bona Edge 130mm 2kW 230V-50Hz
AMO230018.3		Page 5 / 6

2399940076 - New transmission conversion assembly Edge 130



PARTS LIST			
ITEM	QTY	DESCRIPTION	PART NUMBER
1	1	Machined grey arm Edge 130 new transmission	ASO231052.3L
2	1	Bearings support + bearings	ASO232102
3	1	Conical washer	ASO222053
4	1	Pulley z=100 GT5MR	ASK2300030073
5	1	Backing disc guard	ASO222061
6	3	Screw M6x16H DIN7991	ASO953416
7	1	Screw hex.sock.count.s-col.M10x45	ASO953623
8	3	Screw Torx M5x8 galvanized	ASO958012
9	1	Brass nut M6M M10	ASO963600
10	1	Dust brush H17 L158	ASO929018
11	3	Screw 2,9x6,5 Torx so.he.ca DIN798	ASO958229
12	1	Seal for fan cover plate	ASO232831
13	1	Elastic ring Ø18xØ25x0,5	ASK5803230009
14	1	Belt Gates GT3 - 550 5MGT H12 BE130	ASK2300030074
15	1	Screw hexagonal head M6x14H galvanized	ASO951415
16	1	Washer Ø6,5xØ16x1,6 galvanized	ASK5100030247
17	1	Complete pulley + fan GT5MR Edge 130	ASK2399940075
18	1	Driving belt cover + seal BE130	ASK239994007
18.1	1	Driving belt cover seal BE130	ASK2300030077
18.2	1	Driving belt cover GT3 5MGT BE130	ASK2300030076
19	2	Screw MFT-Torx A4 M5x10 galvanized	ASO958313

Designed by NA	Approved by KT Technical Department	Date October 2016
 		Description Bona Edge 130mm 2kW 230V-50Hz AMO230018.3
		Page 6 / 6