

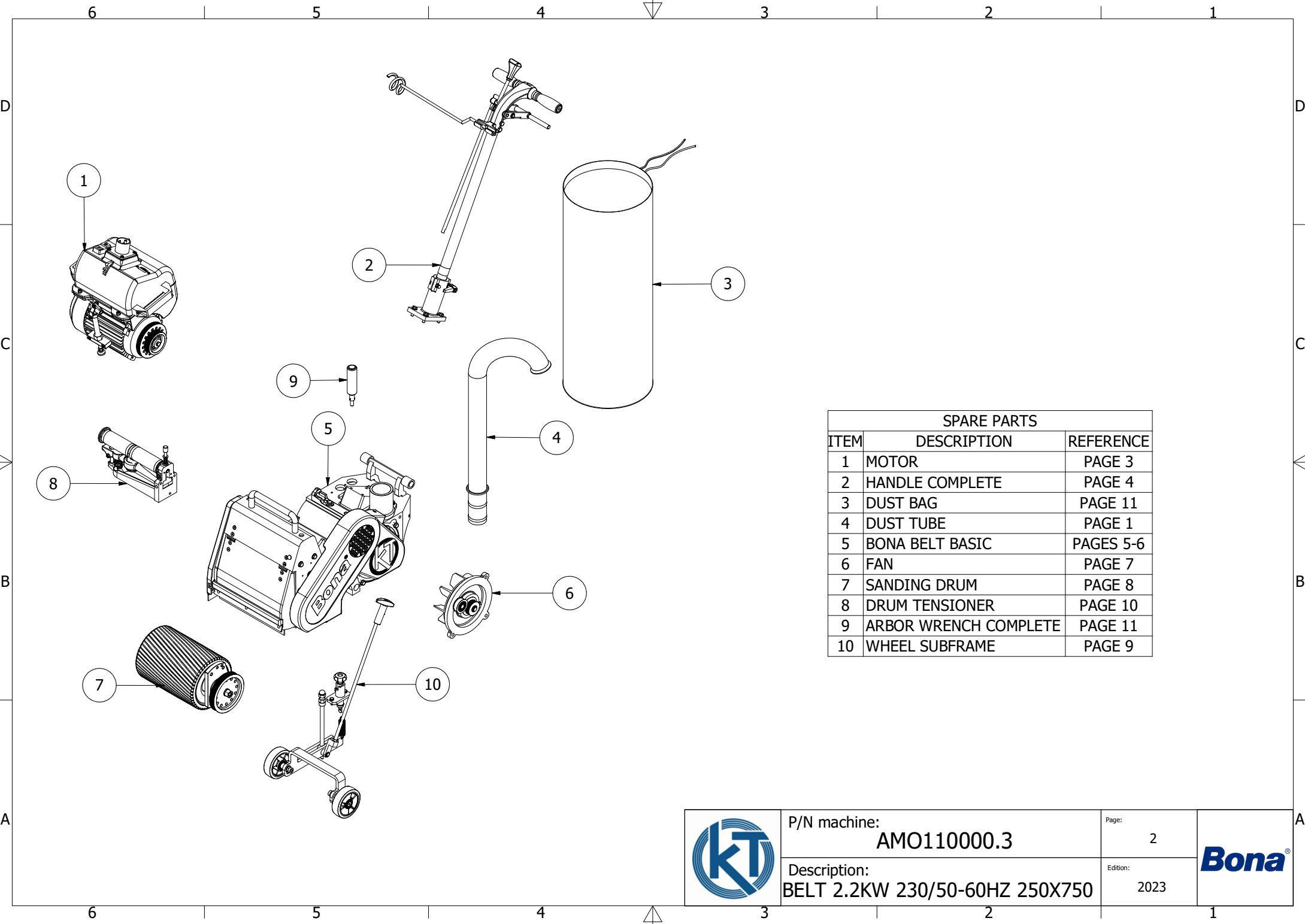




| | | | |
|---|--|------------------|---|
|  | P/N machine: AMO110000.3 | Page: 1 |  |
| | Description: BELT 2.2KW 230/50-60HZ 250X750 | Edition: 2023 | |



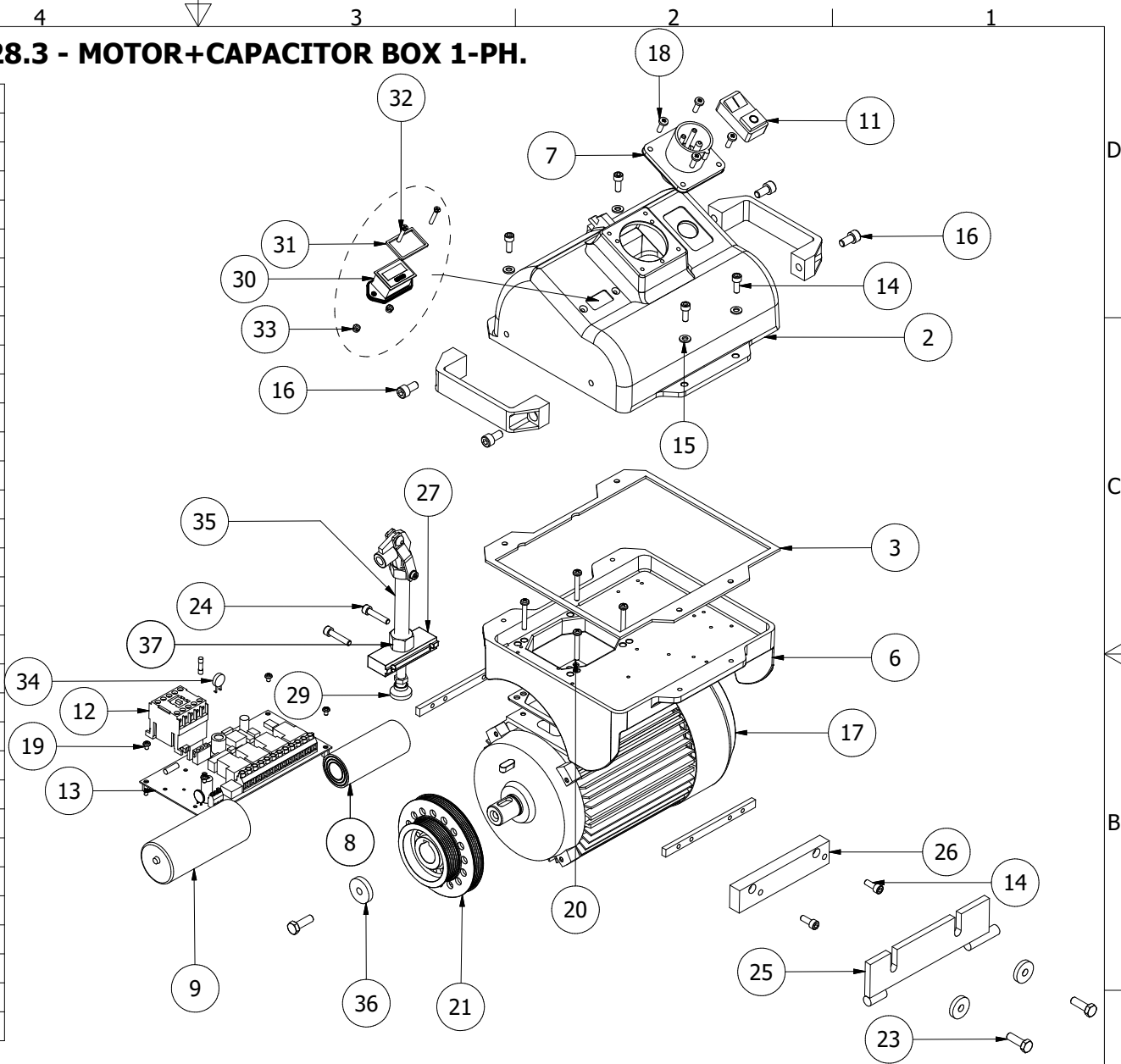
| SPARE PARTS | | |
|-------------|-----------------------|-----------|
| ITEM | DESCRIPTION | REFERENCE |
| 1 | MOTOR | PAGE 3 |
| 2 | HANDLE COMPLETE | PAGE 4 |
| 3 | DUST BAG | PAGE 11 |
| 4 | DUST TUBE | PAGE 1 |
| 5 | BONA BELT BASIC | PAGES 5-6 |
| 6 | FAN | PAGE 7 |
| 7 | SANDING DRUM | PAGE 8 |
| 8 | DRUM TENSIONER | PAGE 10 |
| 9 | ARBOR WRENCH COMPLETE | PAGE 11 |
| 10 | WHEEL SUBFRAME | PAGE 9 |

| | | | |
|---|---|------------------|---|
|  | P/N machine: AMO110000.3 | Page: 2 |  |
| | Description: BELT 2.2KW 230/50-60HZ 250X750 | Edition: 2023 | |

ASO115828.3 - MOTOR+CAPACITOR BOX 1-PH.

SPARE PARTS

| ITEM | PART NUMBER | DESCRIPTION | QTY |
|------|---------------|---------------------------------------|-----|
| 2 | ASO115145.3 | BIG MACHINE CONTROL BOX | 1 |
| 3 | ASO115170 | RUBBER GASKET | 1 |
| 6 | ASO115144.3 | BIG MACHINE MOTOR BOX BASE | 1 |
| 7 | ASO903226 | MOTOR BLUE PLUG-3-POLES 16A-BELT | 1 |
| 8 | ASK1100030035 | START CAPACITOR 35MICROFARAD-BB | 1 |
| 9 | ASO903035 | CAPACITOR 50MF FOR 2.2KW FOR BB | 1 |
| 11 | ASO903772 | CIRCUIT BREAKER-1/1-3PH | 1 |
| 12 | ASO903710 | CONTACTOR-230V 5.5kW 100-M12NZ | 1 |
| 13 | ASO903766 | COMPL.PRINTED CIRCUIT BOARD-BB.D.EA | 1 |
| 14 | ASK5800330602 | SCREW M6x16 HE.SO.HE.CAP UNI5931 GA | 6 |
| 15 | ASK5802230003 | WASHER 6.4X12.5 UNI6592 GALVANIZED | 4 |
| 16 | ASK5801430004 | SCREW M8X12 STAINLESS STEEL | 4 |
| 17 | ASO900192 | MOTOR 2.2KW 220V/50HZ-MOTOR ONLY | 1 |
| 18 | ASK5800230503 | SCREW M5x16 UNI7687 | 4 |
| 19 | ASK5800230405 | SCREW M4X6 CROSS REC.PAN H.UNI7687 | 4 |
| 20 | ASK5800530507 | SCREW M5x35 CRO.RE.FL.HE.UNI7688 G. | 4 |
| 21 | ASO115245 | MOTOR PULLEY POLY-V | 1 |
| 23 | ASK5800730803 | SCREW M8x25 HEX.H. UNI5739 GALVANIZED | 3 |
| 24 | ASK5800330607 | SCREW M6x30 H.S.H.C. UNI5931 GALVANIZ | 2 |
| 25 | ASO115051 | EU MOTOR REAR PLATE | 1 |
| 26 | ASO115163 | MOTOR INTERMEDIATE BLOCK-EU BB | 1 |
| 27 | ASO115164 | MOTOR FRONT SUPPORT | 1 |
| 29 | ASO945148 | LEAD FOOT GN343.1 25-M8 KR | 1 |
| 30 | ASO903888 | HOUR METER CP-0009 | 1 |
| 31 | ASO115173 | GASKET FOR HOUR METER | 1 |
| 32 | ASK5800530405 | SCREW M4X25 CROSS REC.FL.HE.UNI7688 | 2 |
| 33 | ASK5801933004 | NUT M4 SELF-LOCKING GALVANIZ.DIN982 | 2 |
| 34 | ASO903794 | OVERVOLTAGE PROTECTION-EAZY | 1 |
| 35 | ASO115452 | COMPLETE DRIVE BELT TENSIONER EU | 1 |
| 36 | ASO965002 | WASHER 8,2 X 30 X 6 GALVANIZED | 1 |
| 37 | ASO960900 | DEEP NUT M16 H.15 GALVANIZED | 1 |



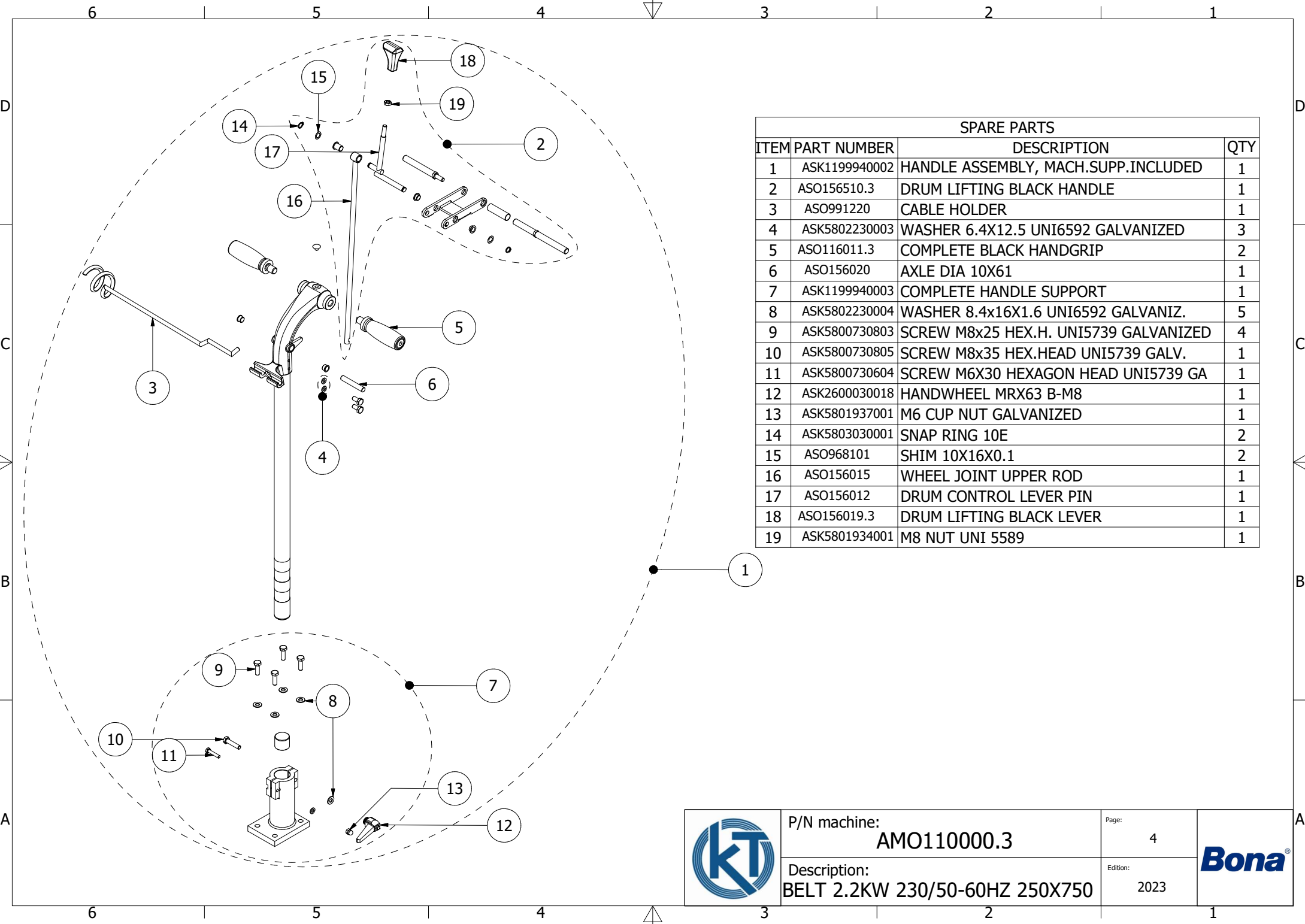
P/N machine:
AMO110000.3

Description:
BELT 2.2KW 230/50-60HZ 250X750



Page:
3

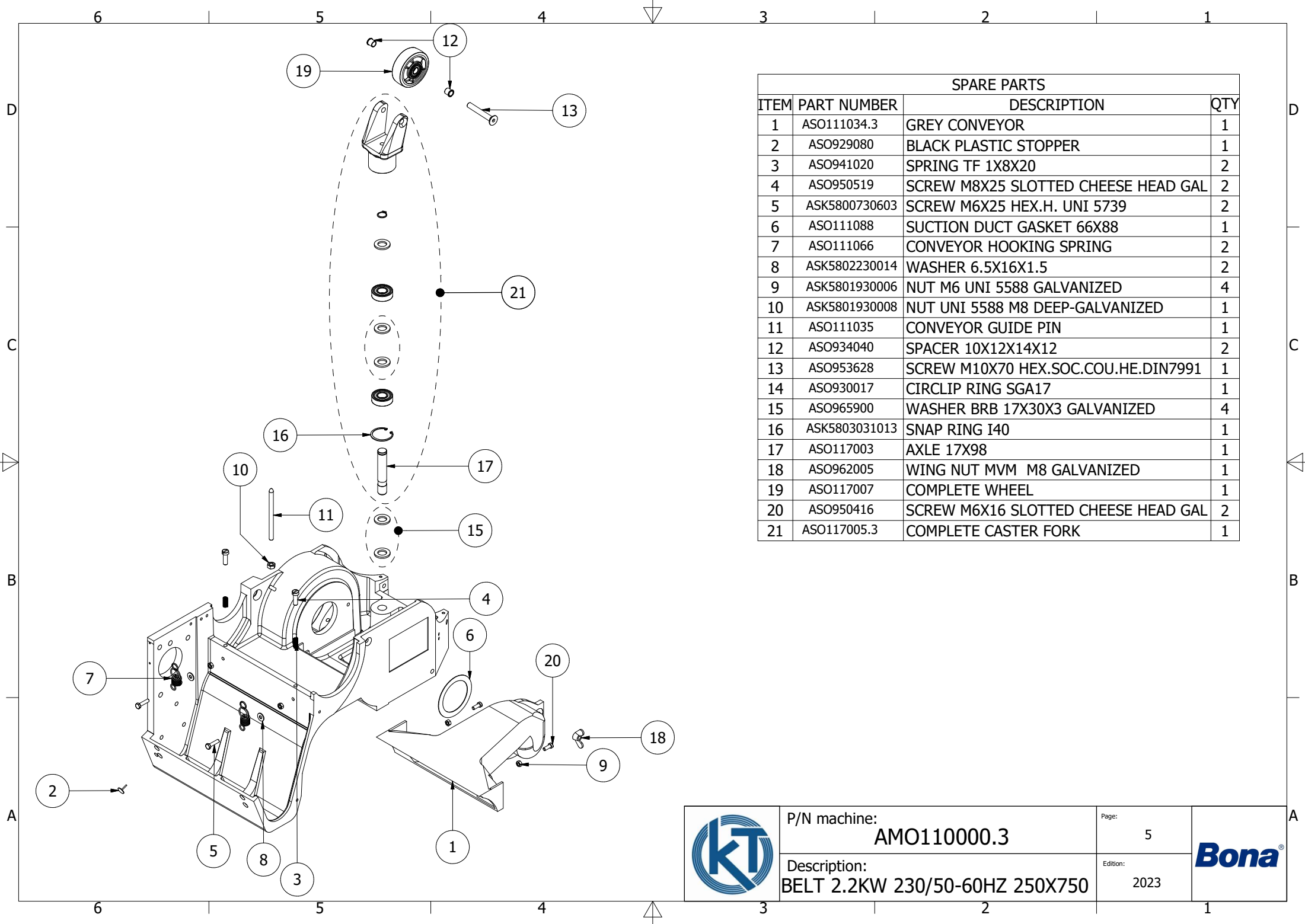
Edition:
2023





| SPARE PARTS | | | |
|-------------|---------------|---------------------------------------|-----|
| ITEM | PART NUMBER | DESCRIPTION | QTY |
| 1 | ASK1199940002 | HANDLE ASSEMBLY, MACH.SUPP.INCLUDED | 1 |
| 2 | ASO156510.3 | DRUM LIFTING BLACK HANDLE | 1 |
| 3 | ASO991220 | CABLE HOLDER | 1 |
| 4 | ASK5802230003 | WASHER 6.4X12.5 UNI6592 GALVANIZED | 3 |
| 5 | ASO116011.3 | COMPLETE BLACK HANDGRIP | 2 |
| 6 | ASO156020 | AXLE DIA 10X61 | 1 |
| 7 | ASK1199940003 | COMPLETE HANDLE SUPPORT | 1 |
| 8 | ASK5802230004 | WASHER 8.4x16X1.6 UNI6592 GALVANIZ. | 5 |
| 9 | ASK5800730803 | SCREW M8x25 HEX.H. UNI5739 GALVANIZED | 4 |
| 10 | ASK5800730805 | SCREW M8x35 HEX.HEAD UNI5739 GALV. | 1 |
| 11 | ASK5800730604 | SCREW M6X30 HEXAGON HEAD UNI5739 GA | 1 |
| 12 | ASK2600030018 | HANDWHEEL MRX63 B-M8 | 1 |
| 13 | ASK5801937001 | M6 CUP NUT GALVANIZED | 1 |
| 14 | ASK5803030001 | SNAP RING 10E | 2 |
| 15 | ASO968101 | SHIM 10X16X0.1 | 2 |
| 16 | ASO156015 | WHEEL JOINT UPPER ROD | 1 |
| 17 | ASO156012 | DRUM CONTROL LEVER PIN | 1 |
| 18 | ASO156019.3 | DRUM LIFTING BLACK LEVER | 1 |
| 19 | ASK5801934001 | M8 NUT UNI 5589 | 1 |

| | | | |
|---|---|------------------|---|
|  | P/N machine: AMO110000.3 | Page: 4 |  |
| | Description: BELT 2.2KW 230/50-60HZ 250X750 | Edition: 2023 | |



| SPARE PARTS | | | |
|-------------|---------------|---------------------------------------|-----|
| ITEM | PART NUMBER | DESCRIPTION | QTY |
| 1 | ASO111034.3 | GREY CONVEYOR | 1 |
| 2 | ASO929080 | BLACK PLASTIC STOPPER | 1 |
| 3 | ASO941020 | SPRING TF 1X8X20 | 2 |
| 4 | ASO950519 | SCREW M8X25 SLOTTED CHEESE HEAD GAL | 2 |
| 5 | ASK5800730603 | SCREW M6X25 HEX.H. UNI 5739 | 2 |
| 6 | ASO111088 | SUCTION DUCT GASKET 66X88 | 1 |
| 7 | ASO111066 | CONVEYOR HOOKING SPRING | 2 |
| 8 | ASK5802230014 | WASHER 6.5X16X1.5 | 2 |
| 9 | ASK5801930006 | NUT M6 UNI 5588 GALVANIZED | 4 |
| 10 | ASK5801930008 | NUT UNI 5588 M8 DEEP-GALVANIZED | 1 |
| 11 | ASO111035 | CONVEYOR GUIDE PIN | 1 |
| 12 | ASO934040 | SPACER 10X12X14X12 | 2 |
| 13 | ASO953628 | SCREW M10X70 HEX.SOC.CO.U. HE.DIN7991 | 1 |
| 14 | ASO930017 | CIRCLIP RING SGA17 | 1 |
| 15 | ASO965900 | WASHER BRB 17X30X3 GALVANIZED | 4 |
| 16 | ASK5803031013 | SNAP RING I40 | 1 |
| 17 | ASO117003 | AXLE 17X98 | 1 |
| 18 | ASO962005 | WING NUT MVM M8 GALVANIZED | 1 |
| 19 | ASO117007 | COMPLETE WHEEL | 1 |
| 20 | ASO950416 | SCREW M6X16 SLOTTED CHEESE HEAD GAL | 2 |
| 21 | ASO117005.3 | COMPLETE CASTER FORK | 1 |



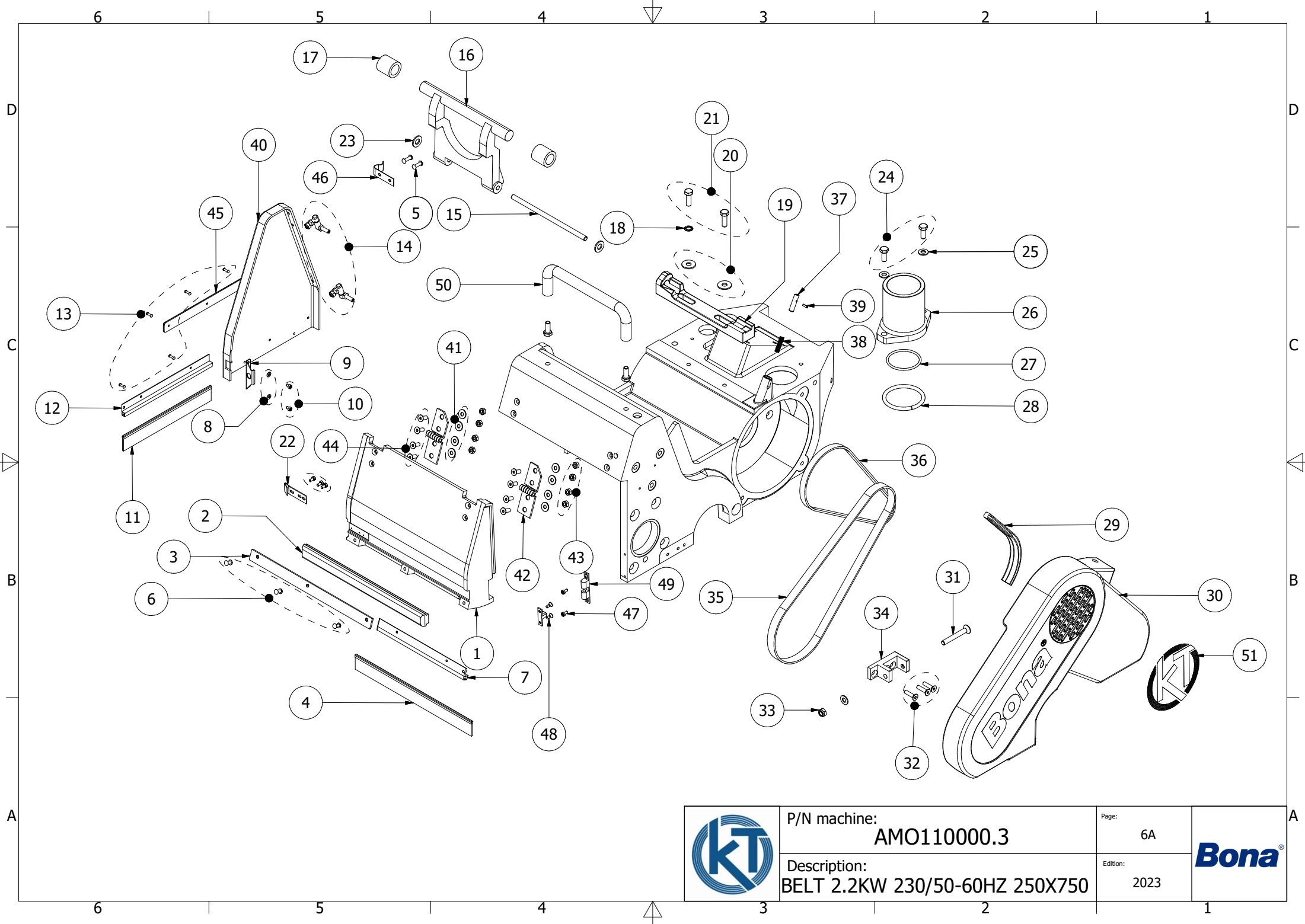
P/N machine:
AMO110000.3



Description:
BELT 2.2KW 230/50-60HZ 250X750

Page:
5



Edition:
2023



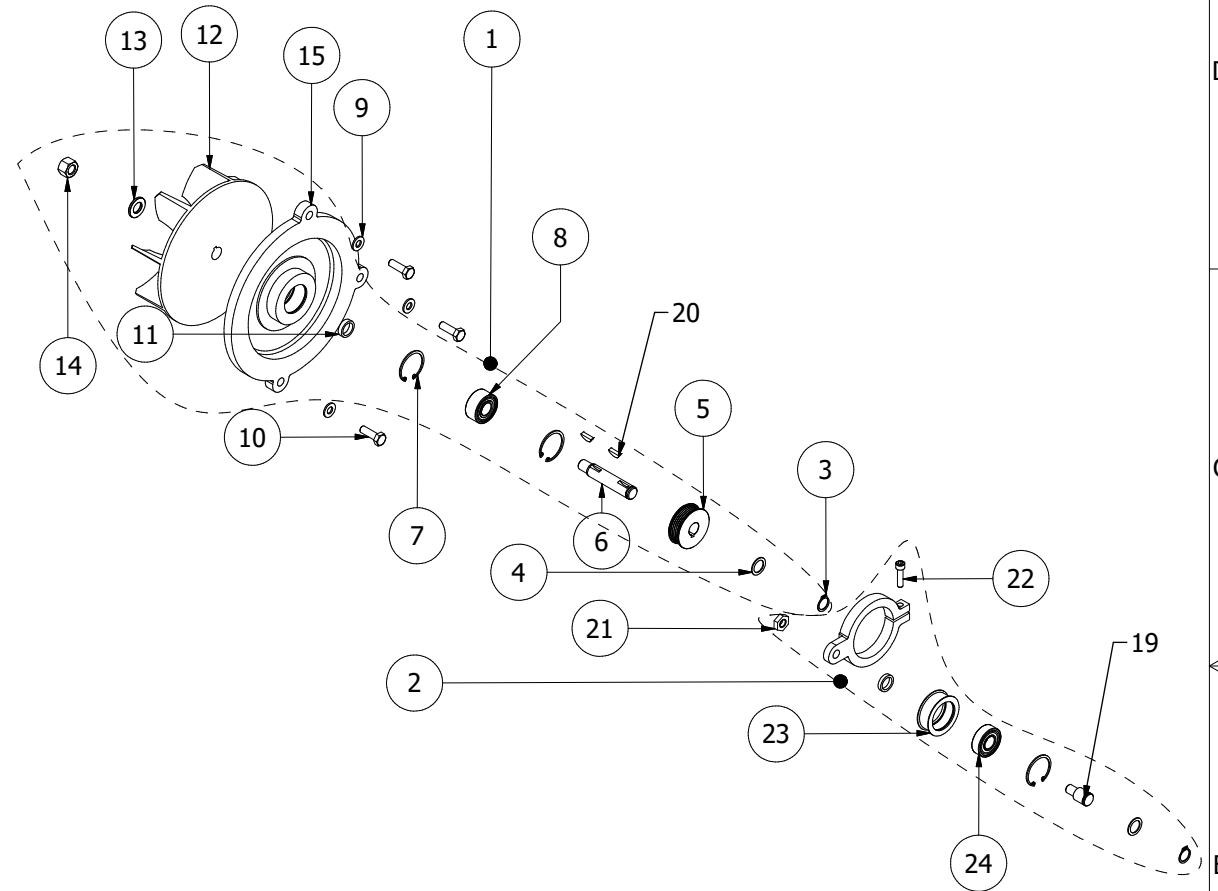




| | | | |
|---|---|------------------|---|
|  | P/N machine: AMO110000.3 | Page: 6A |  |
| | Description: BELT 2.2KW 230/50-60HZ 250X750 | Edition: 2023 | |

| SPARE PARTS | | | | SPARE PARTS | | | |
|-------------|---------------|---------------------------------------|-----|-------------|---------------|-------------------------------------|-----|
| ITEM | PART NUMBER | DESCRIPTION | QTY | ITEM | PART NUMBER | DESCRIPTION | QTY |
| 1 | ASO111003.3 | DRUM FRONT GUARD | 1 | 27 | ASO927057 | O-RING 57.15X3.5 | 1 |
| 2 | ASO929041 | SEAL STRIP | 1 | 28 | ASO928061 | RUBBER GASKET 6X200MM | 1 |
| 3 | ASO929021 | DRUM GUARD TERMINAL EDGE PROFILE | 1 | 29 | ASO929030 | SEALING STRIP | 1 |
| 4 | ASO929011 | FRONT GUARD BRISTLE L=280 H=30-BB | 1 | 30 | ASO111560 | DRIV.BELTS GREY GUARD+LOCK+BUSHINGS | 1 |
| 5 | ASK5801730003 | POP RIVET 4.8X16 | 2 | 31 | ASK5800630808 | SCREW M8X60 UNI5933 | 1 |
| 6 | ASO937210 | BLIND RIVET-AL/ST 4.8X10.3 BLACK | 3 | 32 | ASO953419 | SCREW M6X25 HE.SO.CO.HE.DIN7991 S-C | 3 |
| 7 | ASO111016.3 | BLACK METAL STRIP | 1 | 33 | ASO961500 | LOCKING NUT M8 GALVANIZED | 1 |
| 8 | ASK5802230001 | WASHER D4 GALVANIZED-FLAT | 2 | 34 | ASO151024.3 | BELTS GUARD GREY HINGE | 1 |
| 9 | ASO111081 | FRONT GUARD LOCKING SPRING | 1 | 35 | ASO924328 | DRUM DRIVE BELT MEC M.RIBS PJ838 | 1 |
| 10 | ASO957812 | SCREW M4X6 TORX CAP HE.DIN7985 GAL. | 2 | 36 | ASO924260 | FAN POLY-V DRIVE BELT 260 J5PJ660 | 1 |
| 11 | ASO929012.3 | SIDE GUARD BRISTLE L=220 H=30 BB | 1 | 37 | ASO111061 | DRIVE BELTS GUARD LOCKING PLUNGE | 1 |
| 12 | ASO929022.3 | SIDE COVER PROFILE | 1 | 38 | ASO941021 | SPRING TF 1X6.3X28.3 | 1 |
| 13 | ASO937113 | BLIND RIVET 3.2X9.7 | 5 | 39 | ASK5803733003 | SPRING PIN 3x10 UNI6874/71 | 1 |
| 14 | ASO111015.3 | COMPLETE SIDE GUARD PINTLE | 2 | 40 | ASO111204.3 | COMPLETE DRUM SIDE GUARD | 1 |
| 15 | ASO111037 | REAR FOOT SHAFT | 1 | 41 | ASK5802230014 | WASHER 6.5X16X1.5 | 8 |
| 16 | ASO111036.3 | REAR FOOT | 1 | 42 | ASO111055.3 | FRONT GUARD HINGE | 2 |
| 17 | ASO929051 | RUBBER FEET 26X3.5 | 2 | 43 | ASK5801930006 | NUT M6 UNI 5588 | 8 |
| 18 | ASK5802236008 | INT.EXT.SERRATED LOCK WASHER M8 | 1 | 44 | ASO953416 | SCREW M6X16H H.S.C.H.DIN7991 S-COL. | 8 |
| 19 | ASO111041.3 | MOTOR REAR SUPPORT-BB | 1 | 45 | ASO111013 | WALL EDGE L=210 MM | 1 |
| 20 | ASK5802234001 | FLAT WASHER 8.4X24X2 6593-69 GALV. | 2 | 46 | ASO111038 | HOOING CLIP FOR REAR FOOT | 1 |
| 21 | ASK5800730803 | SCREW M8x25 UNI5739 GALVANIZED | 2 | 47 | ASO957912 | SCREW M4X8 TORX CAP HE.TT DIN7500C | 5 |
| 22 | ASO111080 | FRONT GUARD LOCKING SPRING | 1 | 48 | ASO958304 | SCREW M4X10 TORX COUNTERSUNK HEAD G | 2 |
| 23 | ASK5802230005 | WASHER 10.5x20 UNI6592 GALVANIZ- FLAT | 2 | 49 | ASO945160 | MILLED LOCKING BLOCK | 1 |
| 24 | ASK5800730802 | SCREW M8x20 HEX.H. UNI5739 GALVANIZED | 4 | 50 | ASO945192 | BLACK HANDLE CC-192 | 1 |
| 25 | ASK5802230004 | WASHER 8.4x16X1.6 UNI6592 GALVANIZ. | 3 | 51 | ASK5100031293 | KT ROUND BLUE LABEL D130 | 1 |
| 26 | ASO111018.3 | SUCTION PIPE COLLAR | 1 | | | | |

| | | | |
|---|---|------------------|---|
|  | P/N machine: AMO110000.3 | Page: 6B |  |
| | Description: BELT 2.2KW 230/50-60HZ 250X750 | Edition: 2023 | |

| SPARE PARTS | | | |
|-------------|---------------|--|-----|
| ITEM | PART NUMBER | DESCRIPTION | QTY |
| 1 | ASO114503 | FAN PAINTED BUSHING FOR POLY-V | 1 |
| 2 | ASO114600.3 | COMPLETE GREY TIGHTENING PULLEY | 1 |
| 3 | ASK5803030003 | SNAP RING 15E | 2 |
| 4 | ASO968310 | SPACER 15X21X1 | 1 |
| 5 | ASO114204 | FAN PULLEY POLY-V | 1 |
| 6 | ASO114003 | FAN SHAFT | 1 |
| 7 | ASK5803031007 | I35 SNAP RING | 3 |
| 8 | ASK5804033002 | BEARING 3202 A-2RS1 TN9/MT33 | 1 |
| 9 | ASO965500.3 | WASHER 8.4X16X1.5-BRB BLACK | 3 |
| 10 | ASO951519.3 | SCREW M8X25 HEXAGON HEAD-BLACK | 3 |
| 11 | ASO934009 | SPACER 20X15.2X5 | 1 |
| 12 | ASO114002 | FAN | 1 |
| 13 | ASK5802230006 | WASHER 13x24 UNI6592 GALVANIZED | 1 |
| 14 | ASK5801930012 | NUT M12 HEXAGONAL UNI5588 GALVANIZ. | 1 |
| 15 | ASO114401 | FAN BUSHING | 1 |
| 19 | ASO114103 | AXLE 15X32 | 1 |
| 20 | ASO933416 | WOODRUFF KEY WK 4X16 | 2 |
| 21 | ASK5801934002 | LOWER HEX. NUT M10 UNI 5589-GALVANIZED | 1 |
| 22 | ASK5800330606 | SCREW M6X25 HEX.SOC.HEA.CAP UNI5931 | 1 |
| 23 | ASO114102 | TIGHTENING PULLEY (ONLY PULLEY) | 1 |
| 24 | ASK5804037105 | BEARINGS-SKF 6202-2Z/C3 | 1 |



| | | | |
|---|---|------------------|---|
|  | P/N machine: AMO110000.3 | Page: 7 |  |
| | Description: BELT 2.2KW 230/50-60HZ 250X750 | Edition: 2023 | |

6 5 4 3 2 1

D

D

C

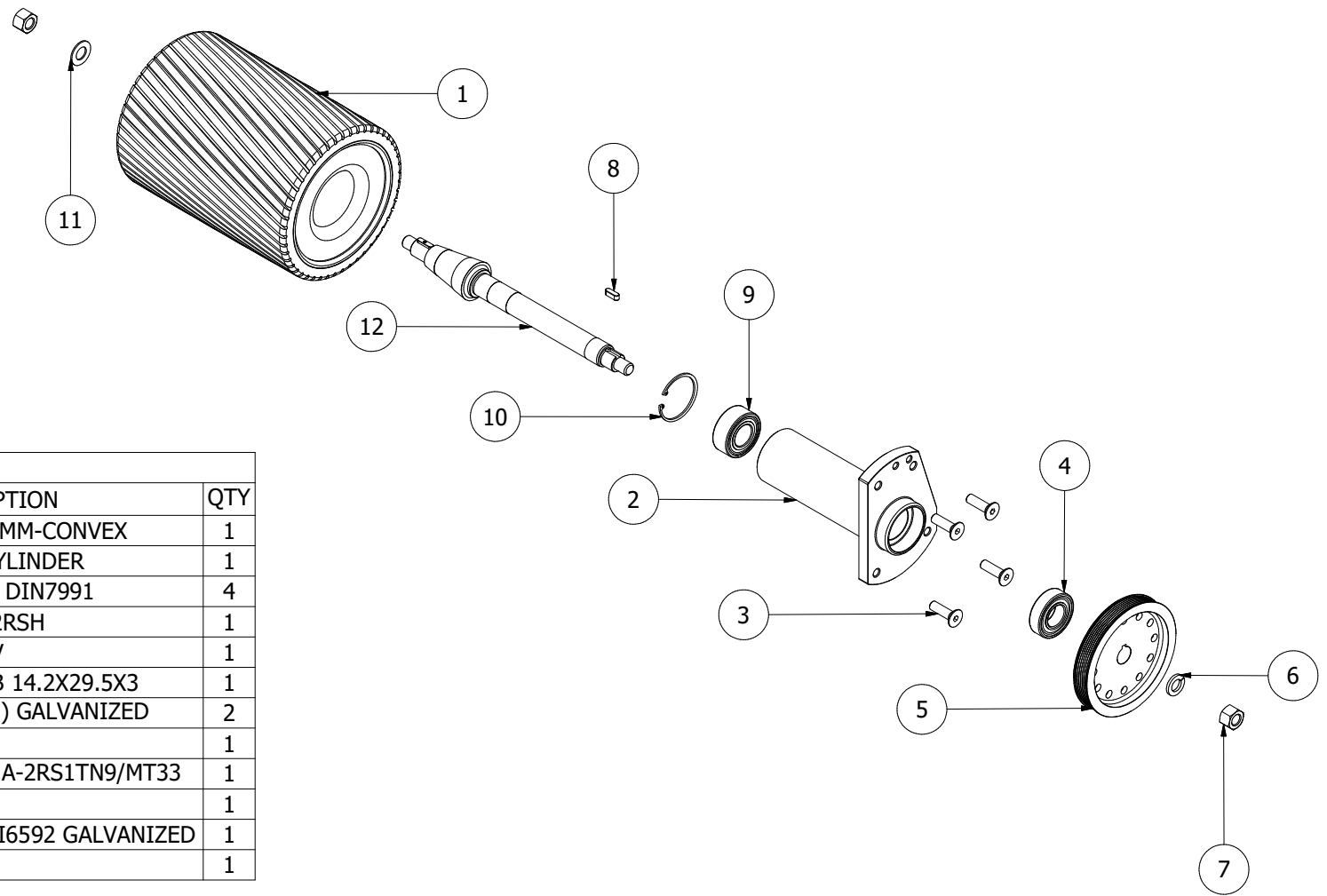
C

B



B

A

A

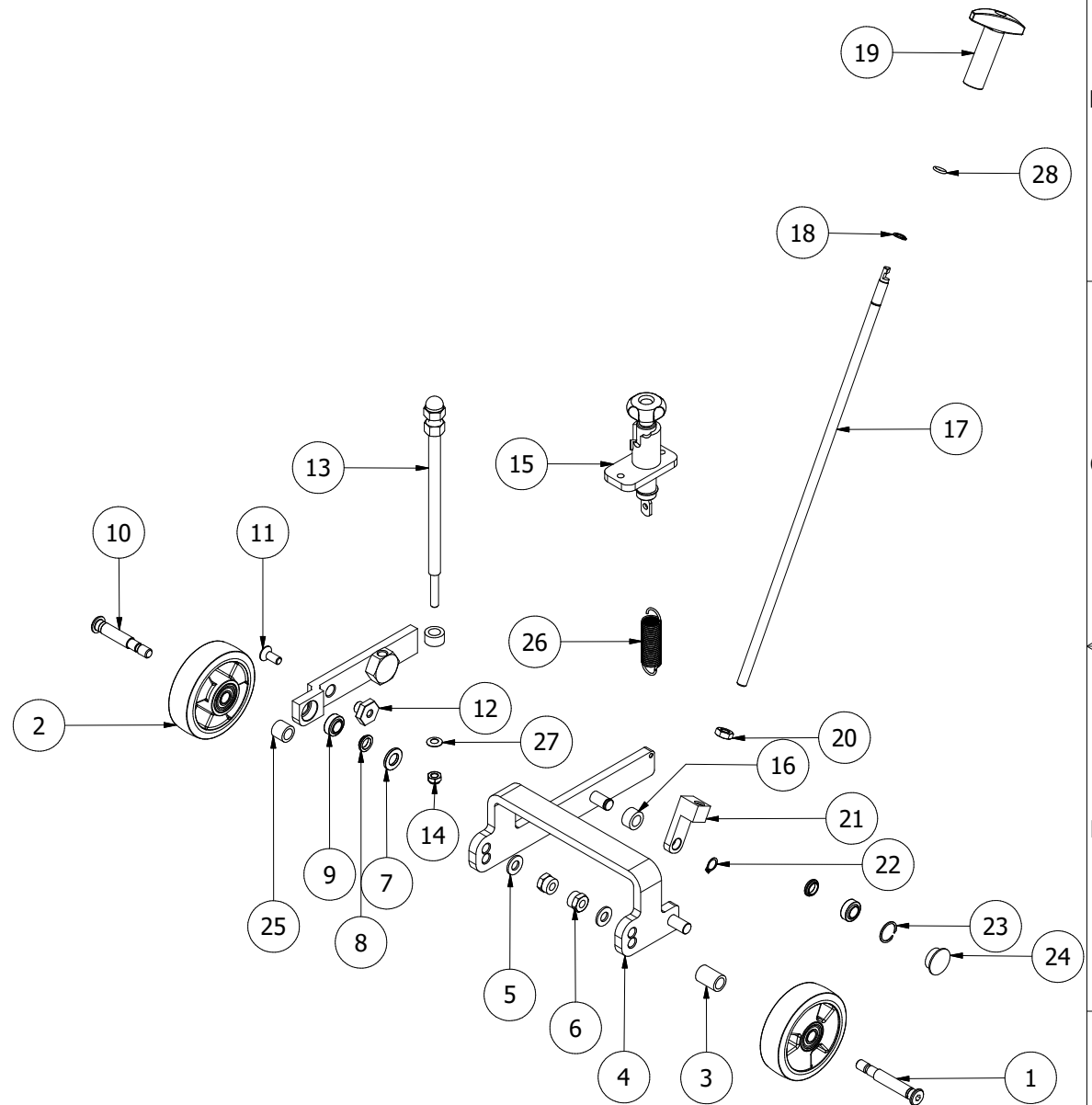




| SPARE PARTS | | | |
|-------------|---------------|-----------------------------------|-----|
| ITEM | PART NUMBER | DESCRIPTION | QTY |
| 1 | ASO112500.3 | COMPLETE DRUM 250MM-CONVEX | 1 |
| 2 | ASO112104 | BEARING HOLDING CYLINDER | 1 |
| 3 | ASO953621 | SCREW M10X35 MF6S DIN7991 | 4 |
| 4 | ASO916205 | BALL BEARING 6205-2RSH | 1 |
| 5 | ASO112218 | DRUM PULLEY-POLY-V | 1 |
| 6 | ASO965503 | ELASTIC WASHER FRB 14.2X29.5X3 | 1 |
| 7 | ASO960800 | NUT M6M M14 (NV-22) GALVANIZED | 2 |
| 8 | ASO932618 | KEY 6X6X18 | 1 |
| 9 | ASO913205 | BALL BEARINGS 3205 A-2RS1TN9/MT33 | 1 |
| 10 | ASK5803031011 | RING 52I UNI7437-75 | 1 |
| 11 | ASK5802230009 | WASHER R40 M14 UNI6592 GALVANIZED | 1 |
| 12 | ASO112107 | DRUM SHAFT | 1 |

| | | | |
|---|---|------------------|---|
|  | P/N machine: AMO110000.3 | Page: 8 |  |
| | Description: BELT 2.2KW 230/50-60HZ 250X750 | Edition: 2023 | |

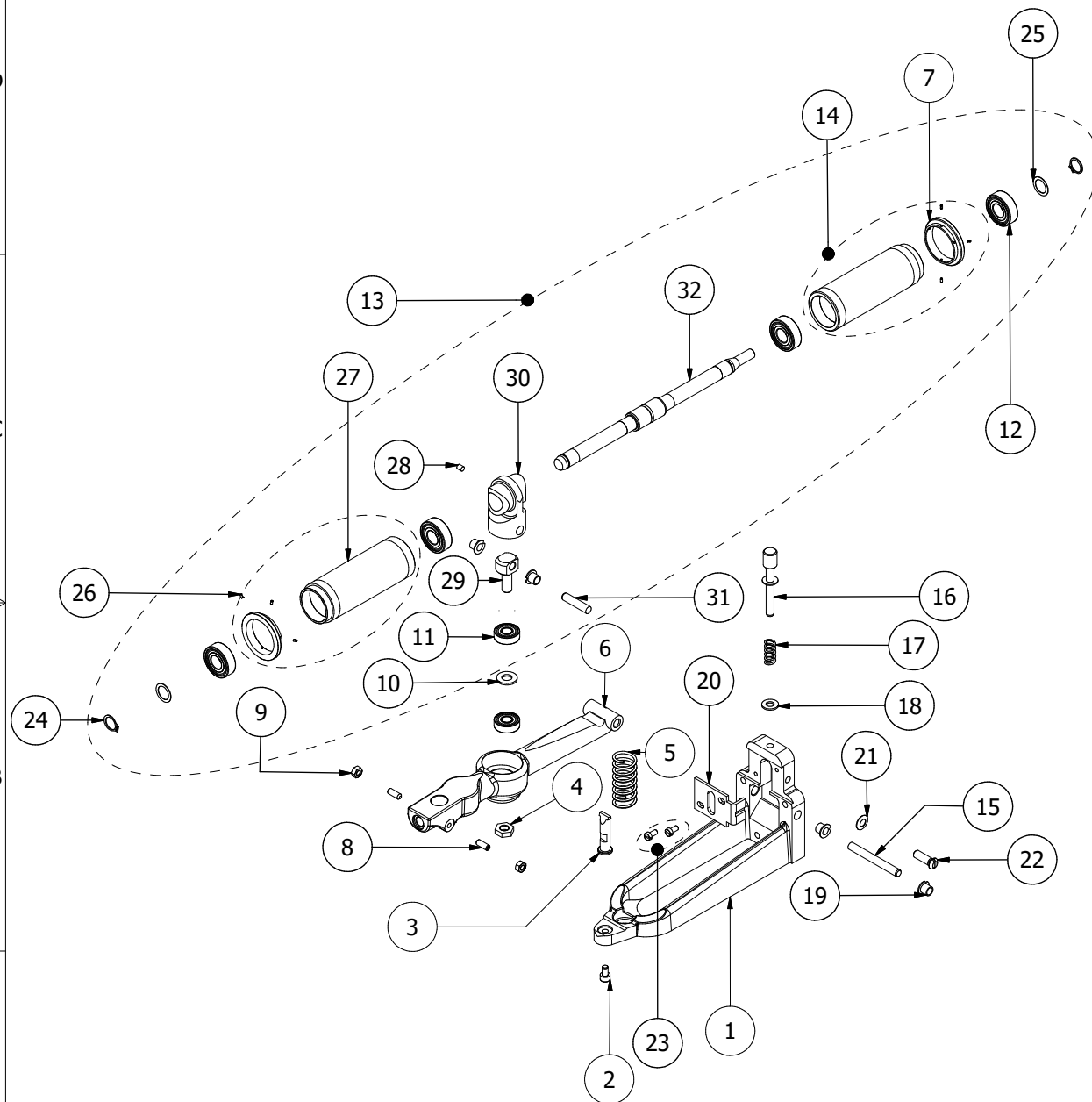
6 5 4 3 2 1

| SPARE PARTS | | | |
|-------------|---------------|---------------------------------------|-----|
| ITEM | PART NUMBER | DESCRIPTION | QTY |
| 1 | ASO118002 | PIN FOR WHEEL 100MM L=85MM | 1 |
| 2 | ASO117107 | COMPLETE WHEEL DIA 100MM | 2 |
| 3 | ASO934037 | SPACER 18X12.5X26 | 1 |
| 4 | ASO118027 | WHEEL SUPPORT | 1 |
| 5 | ASK5802230005 | WASHER 10.5x20 UNI6592 GALVANIZED | 2 |
| 6 | ASK5801933010 | NUT M10 SELF-LOCKING GALVANIZED | 2 |
| 7 | ASK5802230006 | WASHER 13x24 UNI6592 GALVANIZED | 1 |
| 8 | ASO118155 | SPACING SHORT SLEEVE | 1 |
| 9 | ASO918012 | SPHERICAL BEARING GE12E | 2 |
| 10 | ASO118003 | PIN FOR WHEEL 100MM L=75MM | 1 |
| 11 | ASK5800630801 | SCREW M8x20 H.S.C.H. UNI5933 GALVANIZ | 1 |
| 12 | ASO118131 | SPACING PIN | 1 |
| 13 | ASO118600 | COMPLETE THREADED PIN | 1 |
| 14 | ASO961500 | LOCKING NUT M8 GALVANIZED | 1 |
| 15 | ASO118500.3 | DRUM PRESSURE ASSEMBLY | 1 |
| 16 | ASO934026 | SPACER 20X12.2X11 | 2 |
| 17 | ASO118017 | DRUM LIFTING LOWER ROD | 1 |
| 18 | ASK5803030001 | SNAP RING 10E | 1 |
| 19 | ASO116016 | DRUM LIFTING RODS JOINT HANDLE | 1 |
| 20 | ASO960600 | NUT M6M M10 GALVANIZED | 1 |
| 21 | ASO118031 | WHEEL SUPPORT GUIDE BRACKET | 1 |
| 22 | ASK5803030002 | SNAP RING 12E | 1 |
| 23 | ASO931022 | WAVE SPRING SB22 | 1 |
| 24 | ASO945722 | WHEEL SUPPORT WHITE PLASTIC COVER | 1 |
| 25 | ASO934013 | SPACER 18X12.2X15 | 1 |
| 26 | ASO940070 | SPRING SS1774 2X18X75 | 1 |
| 27 | ASO943500 | BELLEVILLE WASHER 8.2X16X0.6 | 1 |
| 28 | ASO927009 | O-RING 9.3X2.4 | 1 |





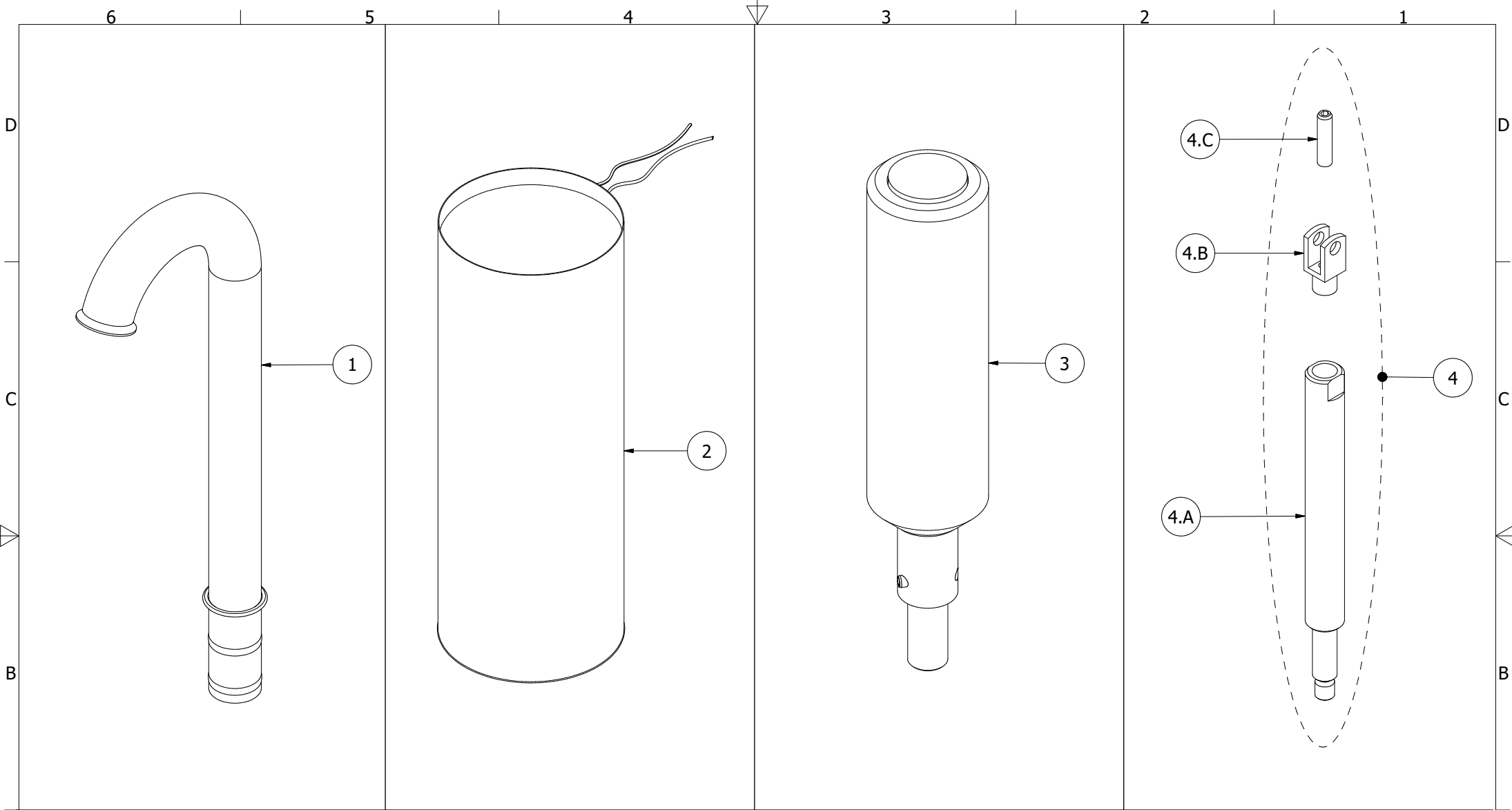
| | | | |
|---|---|------------------|---|
|  | P/N machine: AMO110000.3 | Page: 9 |  |
| | Description: BELT 2.2KW 230/50-60HZ 250X750 | Edition: 2023 | |

ASO113700 - COMPLETE TENSIONER 250MM



| SPARE PARTS | | | |
|-------------|----------------|--------------------------------------|-----|
| ITEM | PART NUMBER | DESCRIPTION | QTY |
| 1 | ASO113701 | TENSIONER SUPPORT | 1 |
| 2 | ASK5800330601 | SCREW M6x10 HE.SO.HE.CA.UNI5931 GAL | 1 |
| 3 | ASO113709 | TENSIONER STOP PIN 15X45 | 1 |
| 4 | ASK5801934002 | LOWER HEX. NUT M10 UNI 5589/65 GALV | 1 |
| 5 | ASO941080 | SPRING TF 2.5X22X80 | 1 |
| 6 | ASO113702 | TENSIONER ARM 250MM | 1 |
| 7 | ASK1100043707N | END GUIDE-4 HOLES-NITRIDED | 2 |
| 8 | ASO957415 | GRUB SCREW M6X16 DIN915 | 2 |
| 9 | ASK5801930006 | NUT M6 UNI 5588 GALVANIZED | 2 |
| 10 | ASK5802230005 | WASHER 10.5x20 UNI6592 GALVANIZ-FLAT | 1 |
| 11 | ASO916000 | BALL BEARING 6000-2RSH | 2 |
| 12 | ASK5804037105 | BEARINGS-SKF 6202-2Z/C3 | 4 |
| 13 | ASO113830 | DRUM TENSIONER WITH BEARINGS 250MM | 1 |
| 14 | ASO113820 | TENSIONER EDGE GUIDE 250MM | 2 |
| 15 | ASO935570 | CYLINDRICAL PIN 8X70 | 1 |
| 16 | ASO113724 | FINE PITCH ADJUSTMENT SCREW 14X80 | 1 |
| 17 | ASO941027 | SPRING TF 1.6XDM10X27 | 1 |
| 18 | ASK5802230004 | WASHER 8.4x16X1.6 UNI6592 GALVANIZ. | 1 |
| 19 | ASO948008 | FLANGED BUSHING NB1F 0809 | 4 |
| 20 | ASO113708 | ADJUSTMENT PLATE | 1 |
| 21 | ASO943500 | BELLEVILLE WASHER 8.2X16X0.6 | 1 |
| 22 | ASO113725 | COARSE PITCH ADJUSTMENT SCREW 12X28 | 1 |
| 23 | ASO958082 | SCREW 5X10 SL.CH.H. GALVAN.STEEL | 2 |
| 24 | ASK5803030003 | SNAP RING 15E | 2 |
| 25 | ASO968305 | SPACER 15X21X0.5 | 2 |
| 26 | ASO936009 | SPRING PIN FRP 2X4 | 6 |
| 27 | ASO113705 | CYLINDER FOR 250MM DRUM | 2 |
| 28 | ASO956312 | GRUB SCREW M5X8-POINTED | 1 |
| 29 | ASO113703 | CONNECTOR 23X40 | 1 |
| 30 | ASO113704 | BALANCING SUPPORT | 1 |
| 31 | ASO935535 | CYLINDRICAL PIN 8X36 | 1 |
| 32 | ASO113707 | AXLE 250 MM | 1 |

| | | | |
|---|---|------------------|---|
|  | P/N machine: AMO110000.3 | Page: 10 |  |
| | Description: BELT 2.2KW 230/50-60HZ 250X750 | Edition: 2023 | |



SPARE PARTS

| ITEM | PART NUMBER | DESCRIPTION | QTY |
|------|---------------|------------------------------------|-----|
| 1 | ASO116600 | COMPLETE SUCTION PIPE | 1 |
| 2 | ASO991000 | BIG DUST BAG WITHOUT ZIP-EU | 1 |
| 3 | ASO113800 | ARBOR WRENCH | 1 |
| 4 | ASK1199940001 | BELT TENSION.PIN+GRUB SCR.+FORK BB | 1 |
| 4.A | ASO115157 | ABRAS.BELT TENSION ADJUSTMENT PIN | 1 |
| 4.B | ASO945039 | CONNECTING CLEVIS-M6X12 DIN71752 | 1 |
| 4.C | ASO955419 | GRUB SCREW M6X25-CUP POINT BLACK | 1 |



P/N machine:
AMO110000.3

Description:
BELT 2.2KW 230/50-60HZ 250X750

Page:
11

Edition:
2023

Bona[®]