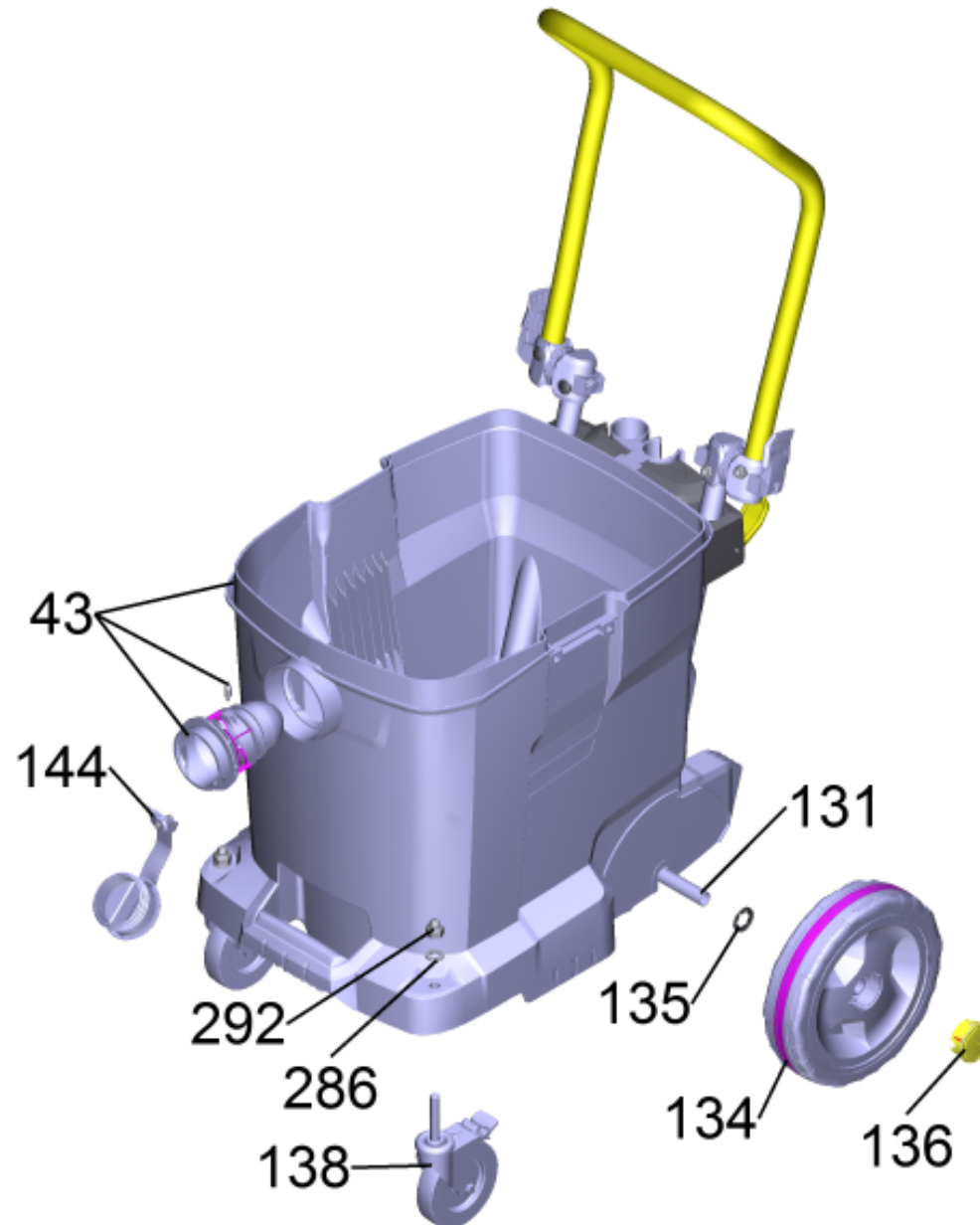
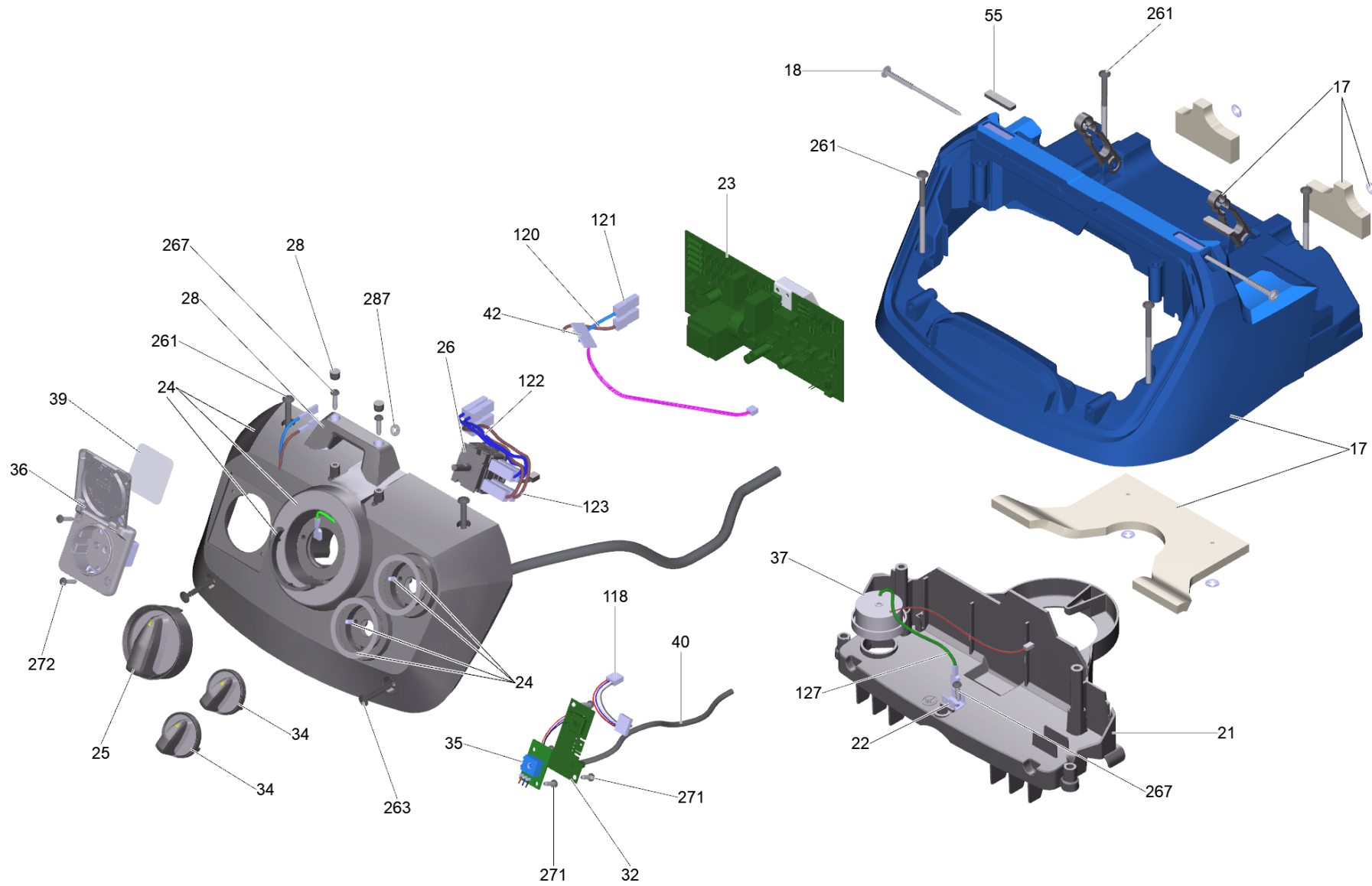
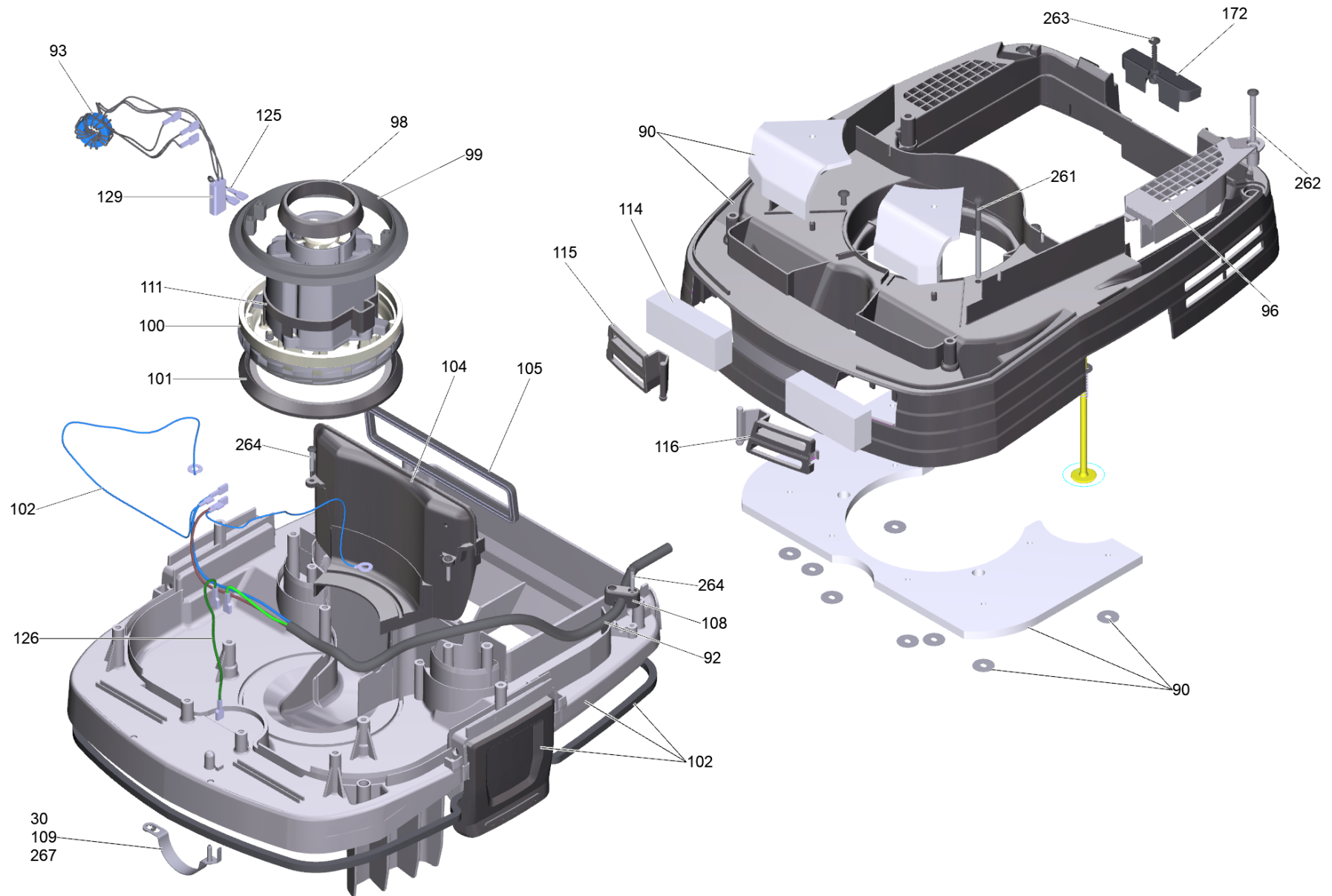


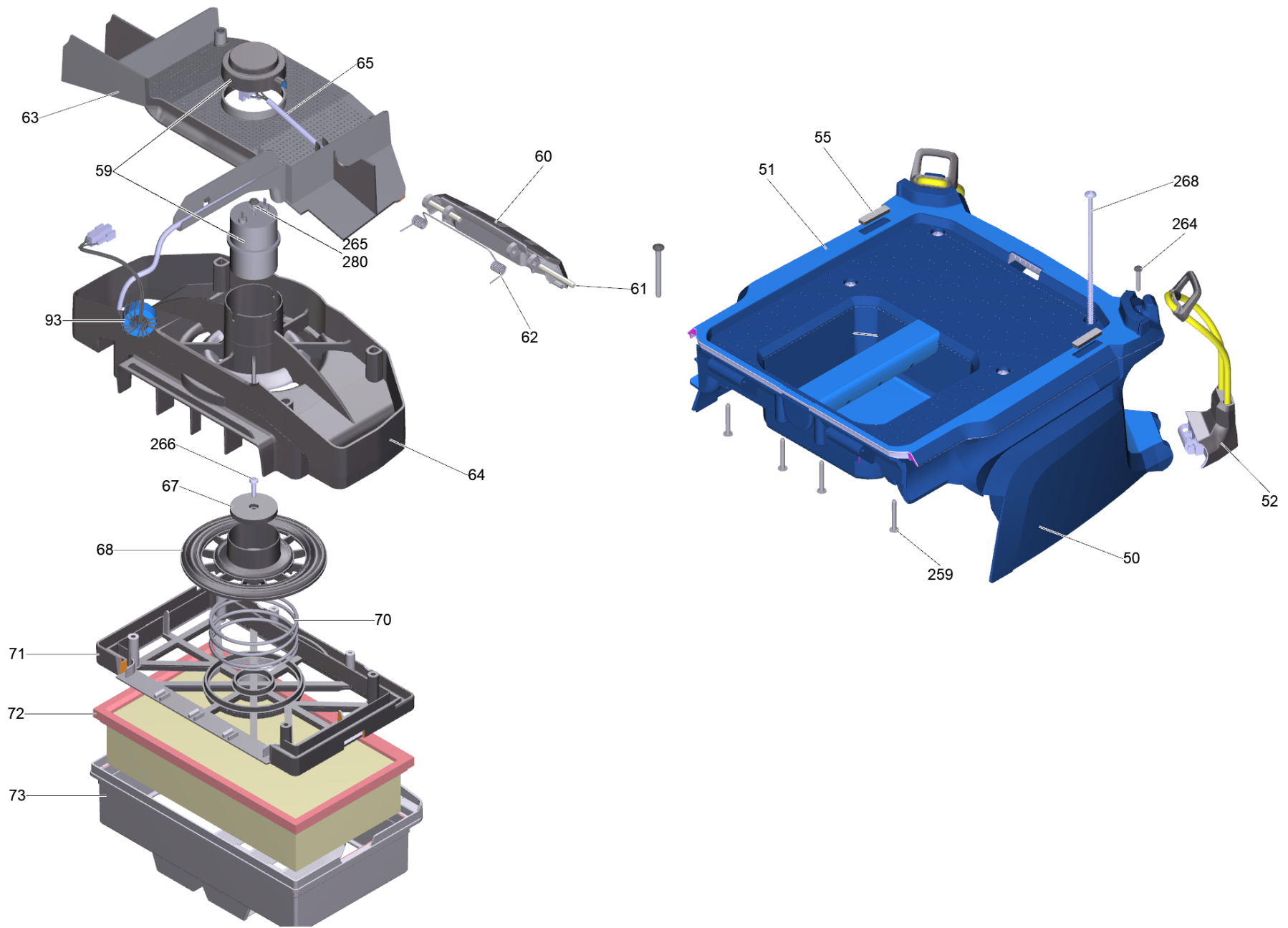
Bona DCS50 M *EU (AM11484430)				
ITEM	QTY	DESCRIPTION	PART NUMBER	Page
32	1	Circuit board hose selector switch package	AS3646833830	11
102	1	Housing base plate set OEM	AS3640713430	12
174	1	Swivel joint set	AS3640715310	14











Bona DCS50 M *EU (AM11484430)			
ITEM	QTY	DESCRIPTION	PART NUMBER
17	1	Cover set	AS3640715250
18	2	Guide screw	AS3651070040
21	1	Housing air circulation above M	AS3656050700
22	1	Tab double	AS3666500380
23	1	Control system packaged TACT TE M/H OEM	AS3640713390
24	1	Control panel DCS 50	
25	1	Handle	AS3657440010
26	1	Rotary switch	AS3666308063
28	1	Fixing case	AS3640703450
32	1	Circuit board hose selector switch packa	AS3646833830
34	2	Handle number of revolutions/hose select	AS3657440020
35	1	Control system packaged pch speed control	AS3640713410
36	1	Plug socket *EU	AS3666458340
37	1	Hooter	AS3666304170
39	1	Label plug socket 2200W	AS3653961573
40	1	Hose black D2x1,35 350mm	AS3663924070
42	1	Magnet sensor set	AS3640711010
50	1	Filter cover TE OEM RAL 9005	AS3650645323
51	1	Fulter cover top part EOM RAL 9005	AS3650645333
52	2	Hose hook set	AS3640713050
55	1	Antislip rubber set	AS3640703600
59	1	Magnet small complete 85V	AS3640715950
60	1	Filter cover closure	AS3653221570
61	2	Bolt hook	AS3653172310
62	1	Spring	AS3653332210
63	1	Moulded part cover filter	AS3650311003
64	1	Holder magnet	AS3650442330
65	1	Cable magnet	AS3666505400
67	1	Plate magnet	AS3650052770
68	1	Valve disc	AS3655821400
70	1	Spring soft	AS3653329750
71	1	Holder flat filter	AS3650640563
72	1	Flat-pleated filter packaged PES	AS3628893550

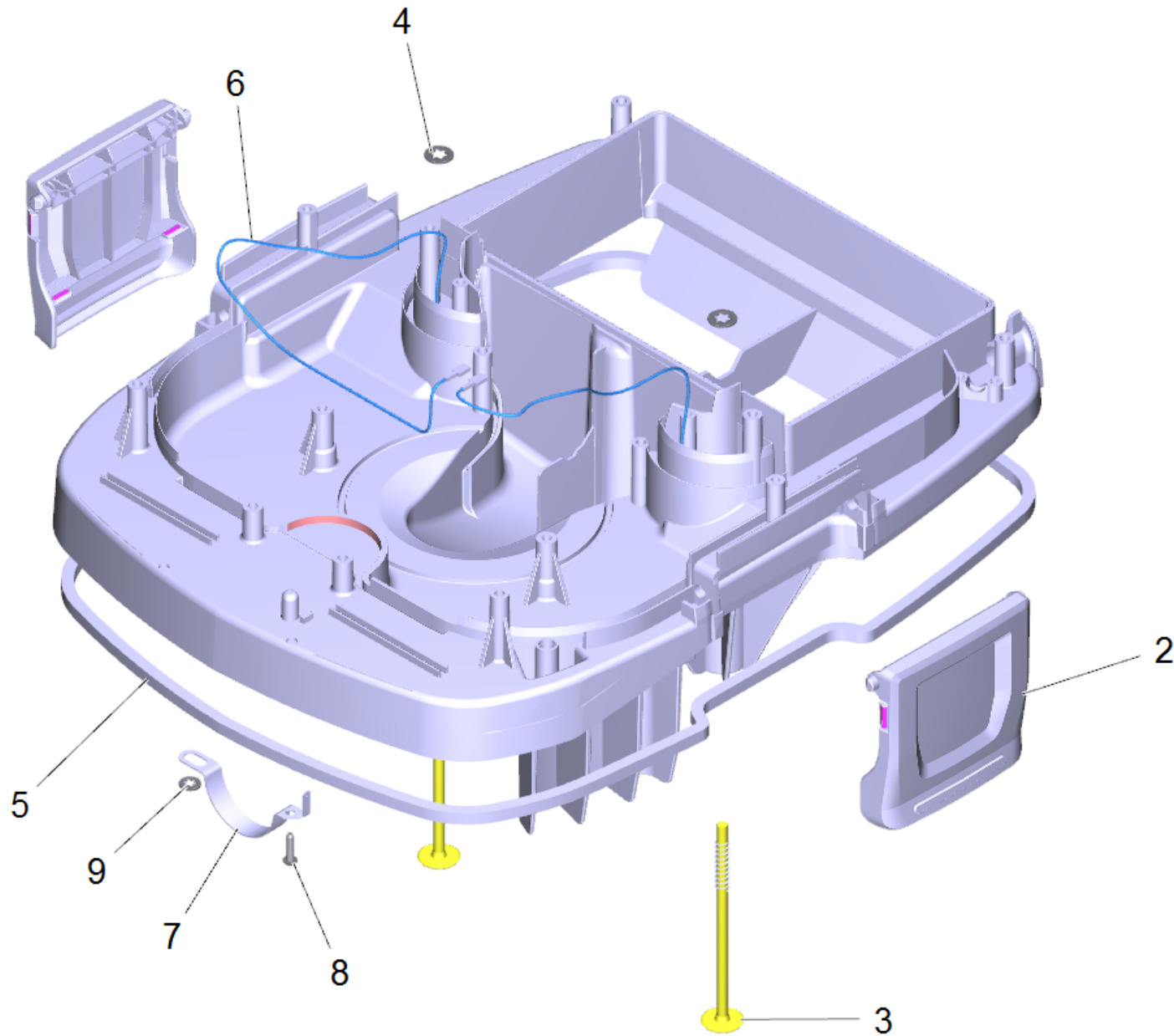
Bona DCS50 M *EU (AM11484430)			
ITEM	QTY	DESCRIPTION	PART NUMBER
73	1	Frame flat-pleated filter	AS3650640550
90	1	Housing set air circulation	AS3640715270
92	1	Power cable 7,5m	AS3666506653
93	2	Ferrite ring	AS3663460430
96	1	Cover housing air circulation	AS3656050580
98	1	Seal vacuum motor above	AS3653637350
99	1	Seal vacuum motor center	AS3653637950
100	1	Blower motor 230V	AS3664902450
101	1	Seal bottom	AS3653632560
102	1	Housing base plate set DEM	AS3640713430
104	1	Air circulation M	AS3650644900
105	1	Seal supply air	AS3656361870
108	1	Strain relief Tact	AS3650314740
109	1	Spring electrically conducting	AS3653320540
111	1	Holder thermal overload protection	AS3660420100
114	1	Filter vacuum cleaner set M	AS3640710240
115	1	Flap cooling air guiding right	AS3656050590
116	1	Flap cooling air guiding left	AS3656050600
118	1	Cable hose selector switch	AS3666502990
120	1	Cable brown 1,5mm ² x200mm	AS3666506680
121	1	Cable blue 1,5mm ² x200mm	AS3666506690
122	2	Cable blue 1mm ² x270mm	AS3666506700
123	2	Cable brown 1mm ² x270mm	AS3666506710
124	2	Cable probe light blue 0,5mm ² x490mm	AS3666506660
125	1	Cable turbine	AS3666506670
126	1	Cable green/yellow 1,5mm ² x150mm	AS3666508530
127	1	Cable green/yellow 1,5mm ² x180mm	AS3666506720
129	1	Cable turbine with thermoprotector	AS3666506740
130	1	Tank 50l M OEM REAL 7037	
131	1	Axle	AS3651050250
132	2	Holder axle	AS6980444560
133	1	Holder floor nozzle RAL 9005	AS3650452063

Bona DCS50 M *EU (AM11484430)			
ITEM	QTY	DESCRIPTION	PART NUMBER
134	2	Wheel slate frey for replacement D220	AS3640715000
135	2	Lock washer	AS3663431680
136	2	Wheel cap small	AS3653929800
138	2	Castor with brake Ø100	AS3664358960
144	1	Drain plug set	AS3640715300
170	2	Shearing shackle bottom set	AS3640710340
171	1	Shearing shackle above set	AS3640710400
172	1	Screen holder accessories	AS3650340960
174	2	Swivel joint set	AS3640715310
178	1	Holder shearing shackle	AS3650311900
179	1	Hook for replacement RAL 9005	AS3650375443
180	1	Straight pin 5m6x50 -A1 ISO 2338	AS3673140400
185	1	Drain hose DN32 NT 611 ECO	AS3663904930
186	1	Joint ring 32x44	AS3663632500
187	1	Hexagon nut	AS3650319400
188	1	Ring	AS3694110230
210	2	Cable tape	AS3666414630
220	1	Label M	AS3653938640
259	6	Screw 4x30 -10.9-R2R (K-In6Rd)	AS3673032850
261	10	Screw 5x80 -10.9-R2R (K-In6Rd)	AS3673031710
262	2	Screw 5x50 -10.9-R2R (K-In6Rd)	AS3673031110
263	2	Screw 5x30 -10.9-R2R (K-In6Rd)	AS3673030860
263	3	Screw 5x30 -10.9-R2R (K-In6Rd)	AS3673030860
264	6	Screw 4x22 -ST-P2R (IN6RD)	AS3673030960
265	1	Screw M4x8 -ST.P2R (in6Rd)	AS3673030300
266	1	Oval head screw with hexalobular socket	AS3663035680
267	4	Screw 4x16 -10.9-R2R (K-In6Rd)	AS3673031290
268	4	Screw 5x130 -10.9-R2R (In6Rd)	AS3673033230
269	2	Screw M 8x50-ST-A3E (IN6RD)	AS3673031470
271	4	Screw 3,5x12-10.9-R2R (IN6RD)	AS3663033180
272	2	Screw 3,5x16-10.9-P2R (In6Rd)	AS3673032060
280	1	Serrated lock washer A4,3-1.4310 DIN 67	AS3673120390
282	2	Lock washer	AS3663431190

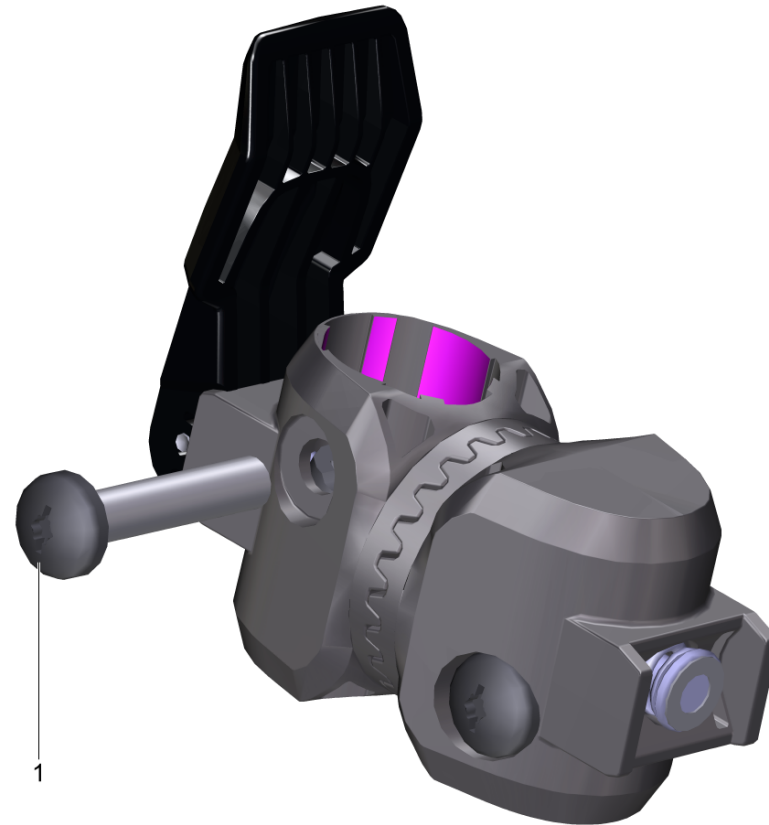
Bona DCS50 M *EU (AM11484430)			
ITEM	QTY	DESCRIPTION	PART NUMBER
286	2	Washer 10 -A2 ISO 7089	AS3673120660
287	1	Lock washer	AS3663431390
288	14	Lock washer 5	AS3663431450
289	1	Quick-fastener	AS3663431690
290	2	Sqaure nut M8 -05-A2E DIN 557	AS3673115700
292	2	Cap nut M10-A2 DIN 986	AS3673116210
300	1	Filter bag fleece packaged 5 St.	AS3628893540
302	1	Disposal bag set 5 piece	AS3628893530
320	1	Elbow neutrally packaged	AS3628892870
321	1	Suction hose packaged electrically conductive NW	AS3644401050
322	2	Set suction tube chromed NW35 550mm	AS3628891910
325	1	Floor tool neutrally DN35	AS3669063840
326	1	Crevice nozzle neutrally packaged	AS3628892900
330	1	Sleeve neutrally packaged	AS3628892910
333	1	Adapter large electrically conducting	AS3654090260
335	1	Connecting sleeve	AS3654530160
9520	1	Candle filter packaged	AS3624140050
9525	1	Flat-pleated filter packaged PTFE H	AS3669076710

Circuit board hose selector switch packaged (AS3646833830)			
ITEM	QTY	DESCRIPTION	PART NUMBER
175	1	Control system hose selector switch	AS3666833830
532	1	Warning sign	AS3663760170
533	1	Warning sign	AS3663760180

Housing base plate set OEM AS3640713430



Housing base plate set OEM (AS3640713430)			
ITEM	QTY	DESCRIPTION	PART NUMBER
2	2	Locking clip RAL 9005	AS3650362980
3	2	Probe	AS3651070020
4	2	Lock waler	AS3663431190
5	1	Seal string housing base plate	AS3662730183
6	2	Cable probe light blue 0,5mm ² x490mm	AS3666506660
7	1	Spring electrically conducting	AS3653320540
8	1	Screw 4x16-10.9-R2R (K-In6Rd)	AS3673031290
9	1	Quick-fastener	AS3663431690



Swivel joint set (AS3640715310)			
ITEM	QTY	DESCRIPTION	PART NUMBER
1	2	Screw M8x40	AS3663032850