

58.010.3.0011
N°3 SELF-LOCKING SCREW (VTIC) ø4,2x22

42.000.3.0105

58.005.3.0403 N°2 SCREW (VTSIC) M4x30

58.022.3.4002 N°2 WASHER ø5,5x15

45.999.4.0011
VERSION 230-240V/50Hz

45.000.3.0042
VERSION 115V/60Hz

58.037.3.3005
CILINDRIC PIN ø3x20

45.000.3.0029
VERSION 230-240V/50Hz

45.999.4.0050

45.999.4.0034

45.999.4.0018

58.019.3.3005 SELF-LOCKING NUT M5

26.999.4.0023G0

45.000.3.0034

58.003.3.0503
SCREW (VTCEI) M5x16

29.000.3.0046

29.000.3.0045

58.022.3.0004
N°2 WASHER ø8

58.007.3.0803
N°2 SCREW (VTE) M8x25

61.000.3.0018

51.000.3.0078

01.000.4.0078 N°3 WASHER ø5,5x20x2,5

58.003.3.0508
SCREW (VTCEI) M5x60

51.000.3.0077

58.019.3.3008 N°2 NUT M8

58.019.3.4001
WASHER ø8

52.999.4.0274

51.000.3.0061

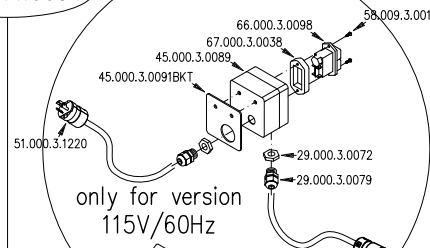
58.019.3.3008
SELF-LOCKING NUT M8

45.000.3.0035

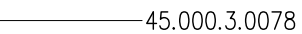
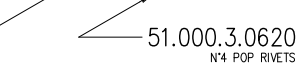
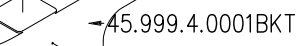
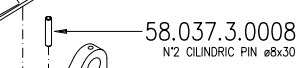
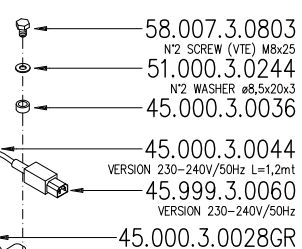
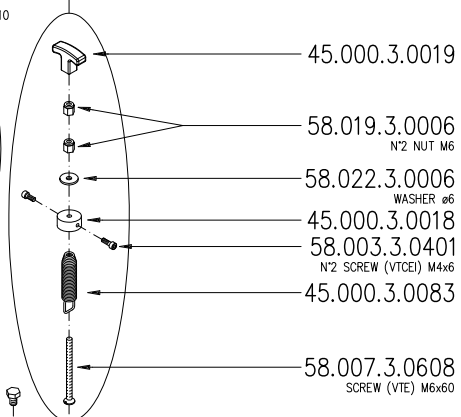
58.006.3.0810
SCREW (VTSEI) M8x80

58.022.3.0006
N°2 WASHER ø12

29.000.3.0043



only for version
115V/60Hz



45.999.5.0004BKT - QX 45 SCORPION DCS EXP. 230V/50Hz RAL 9006
45.999.5.0011BKT - QX 45 SCORPION DCS EXP. UK 240V/50Hz RAL 9006

45.999.5.0010BKT - QX 45 SCORPION DCS EXP. 115V/60Hz RAL 9006
45.999.5.0011BKT - QX 45 SCORPION DCS EXP. UK 240V/50Hz RAL 9006

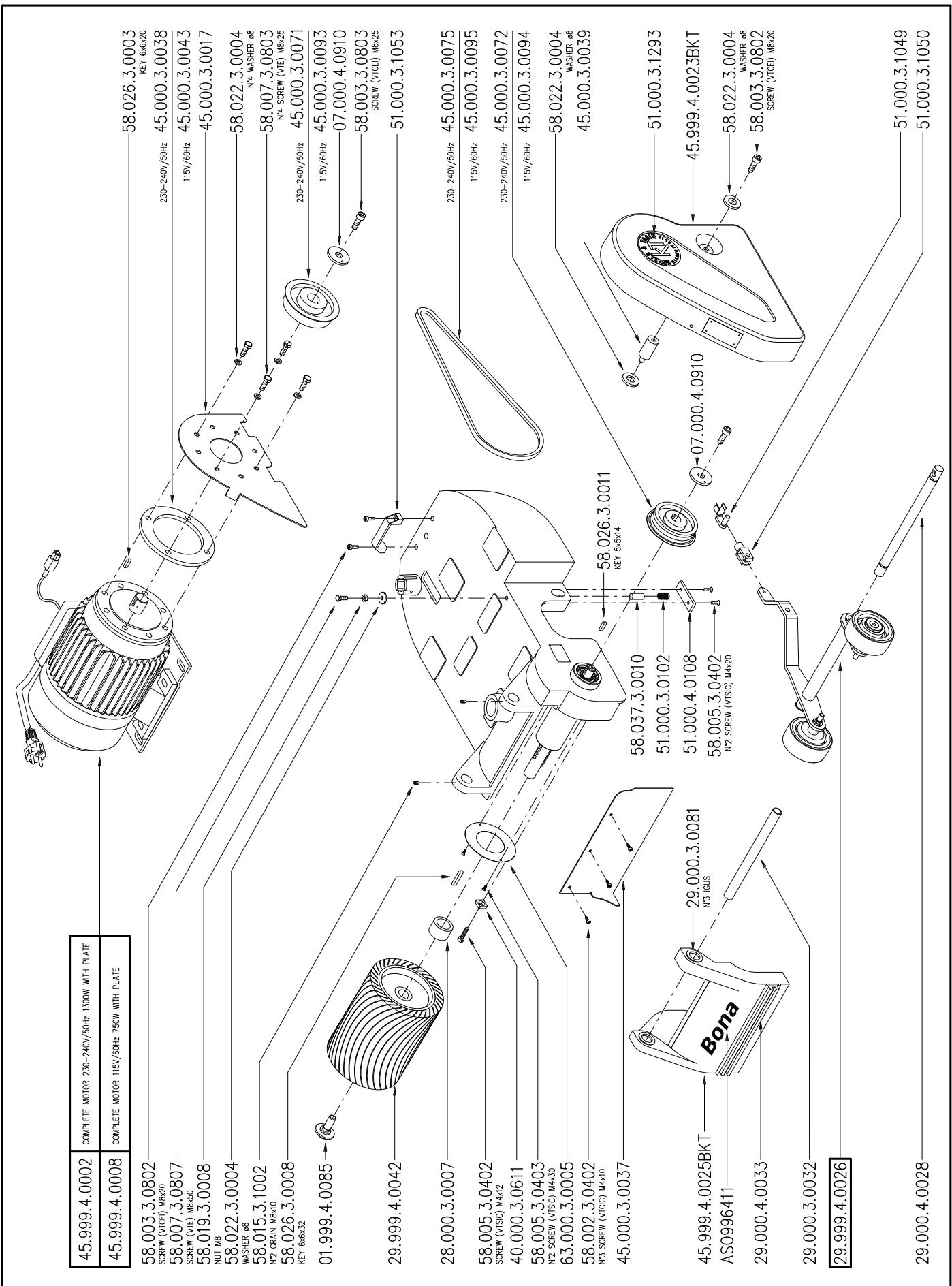


KUNZLE & TASIN
Via CAJKOVSKIJ 14-20092-CINISELLO BALSAMO (MI)
TEL. 02/66040930 FAX 02/66013445

QX 45 SCORPION DCS

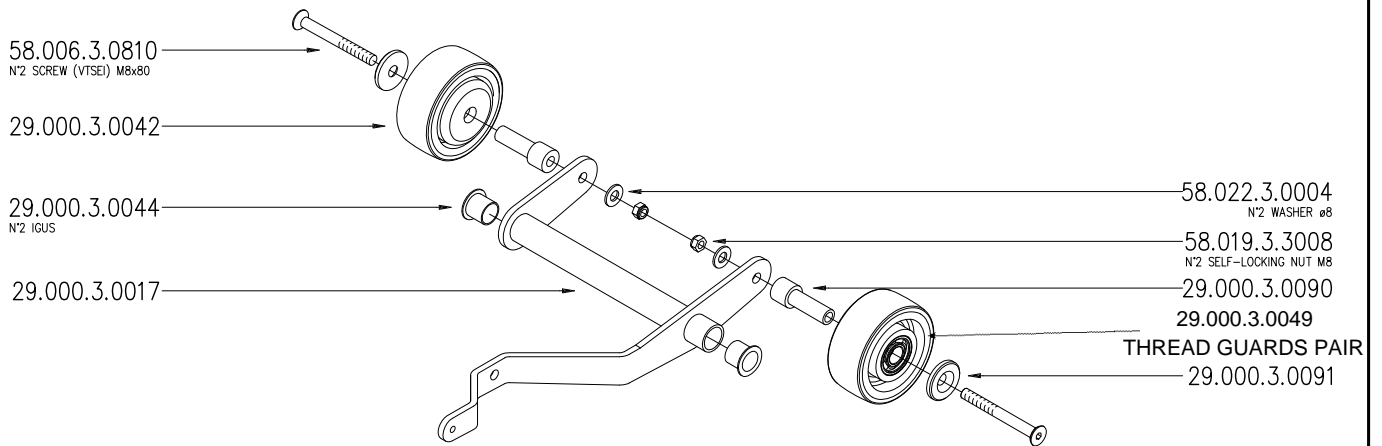
230V/50Hz - 240V/50Hz - 115V/60Hz

KT-BONA
PAGE 1/6
OCTOBER 2014

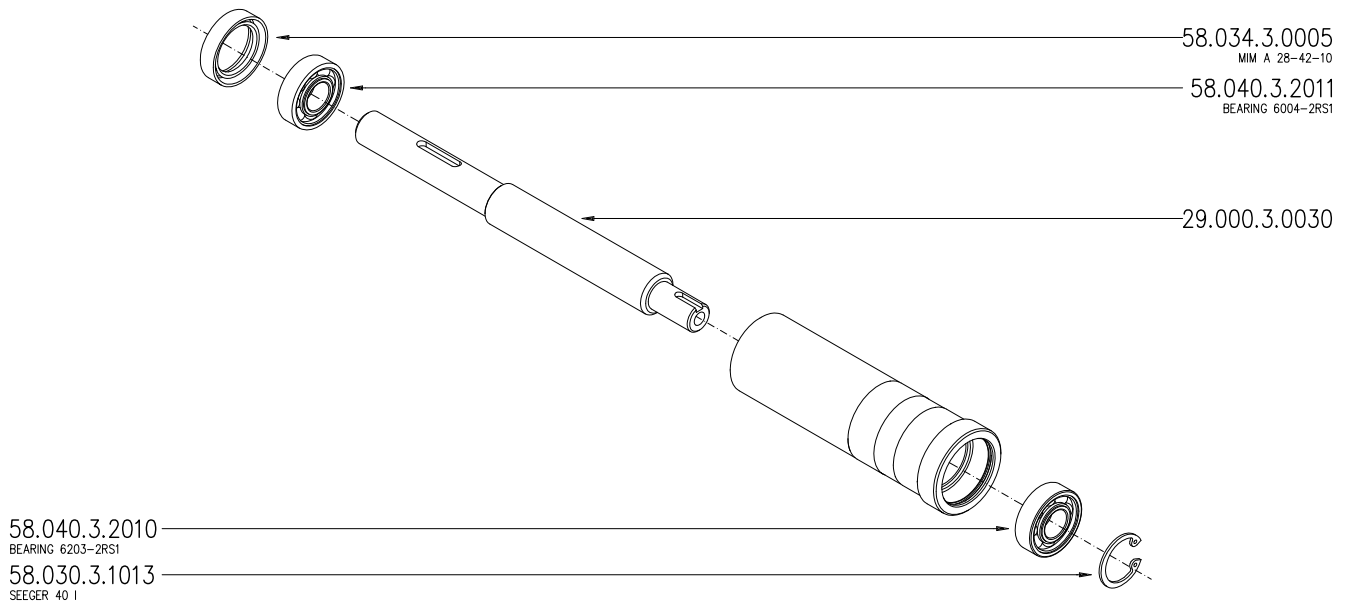


29.999.4.0026

COMPLETE WHEELS GROUP



DRUM BUSHING



KUNZLE & TASIN
Via CAJKOVSKIJ 14-20092-CINISELLO BALSAMO (MI)
TEL. 02/66040930 FAX 02/66013445

QX 45

**SCORPION
DCS**

230V/50Hz - 240V/50Hz - 115V/60Hz

KT-BONA

PAGE 3/6

OCTOBER 2014

45.000.3.0055

VACUUM UNIT 1000W 230V/50Hz

46.000.3.0088

VACUUM UNIT 800W 115V/60Hz

45.000.3.0079
COVER + HANDLE

45.000.3.0063
SWITCH

45.000.3.0064
AVAILABLE ONLY FOR MOTOR 1KW 230-240V/50Hz

45.000.3.0074
MOTOR BASE

45.000.3.0070
CONE FILTER + CAP NYLON

45.000.3.0067
CLOSING HOOK

45.000.3.0068
DRAIN
34.000.3.1475
CONNECTION RELEASE

45.000.3.0099
L=700mm

51.000.3.1140
EXP. DRUM

51.000.3.1298

34.000.3.5259

45.000.3.0051
CABLE + PLUG

45.000.3.0058
CARBON BRUSH

45.000.3.0057
COMPLETE HEAD
1000W 230-240V/50Hz
46.000.3.0129
COMPLETE HEAD
800W 115V/60Hz

46.000.3.0083
PAPER BAG

ASK4500030050
Paper dust bag
large, 5pcs

45.000.3.0069
BASKET

SCREW M6x60 58.007.3.0608
NUT M6 58.019.3.0006
29.000.3.0040
WASHER ø6 58.022.3.0003

230V/50Hz 51.000.3.1139
115V/60Hz 51.000.3.1215

51.000.3.0620
N°8 POP RIVETS

45.000.3.0097



KUNZLE & TASIN
Via CAJKOVSKIJ 14-20092-CINISELLO BALSAMO (MI)
TEL. 02/66040930 FAX 02/66013445

QX 45

**SCORPION
DCS**

230V/50Hz - 240V/50Hz - 115V/60Hz

KT-BONA

PAGE 4/6

OCTOBER 2014

45.999.4.0002

COMPLETE MOTOR 1,3KW 230-240V/50Hz

45.000.3.0047
CABLE + SCHUKO PLUG

45.999.4.0003
WIRED MOTOR 1,3KW 230-240V/50Hz

45.000.3.0010
MOTORE ONLY 1,3KW 230-240V/50Hz

58.019.3.0008
N°4 NUT M8

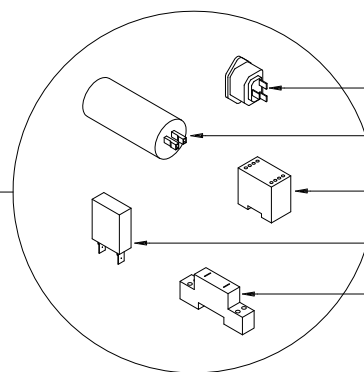
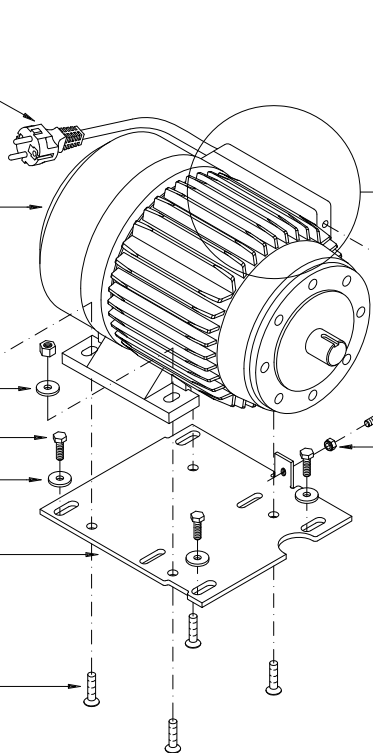
51.000.3.0244
N°4 WASHER

58.007.3.0804
N°4 SCREW (VTE) M8x30

51.000.3.0244
N°4 WASHER

45.000.3.0016

58.006.3.0802
N°4 SCREW (VTSEI) M8x30



40.000.3.2114

45.000.3.0009
CAPACITOR 40µF

45.000.3.0012
CONTACTOR

45.000.3.0011
RELAY

45.000.3.0041
RELAY BASE

58.003.3.0811
SCREW (VTCEI) M8x40

58.019.3.0008
NUT M8

42.000.3.0055
RING NUT

42.000.3.0054
STRAIN RELIEF

45.999.3.0061
2-POLES SOCKET

45.999.4.0008

COMPLETE MOTOR 0,75KW 115V/60Hz

51.000.3.1220
TWIST LOCK PLUG 15A

45.000.3.0013
MOTOR ONLY 0,75KW 115V/60Hz

58.019.3.0008
N°4 NUT M8

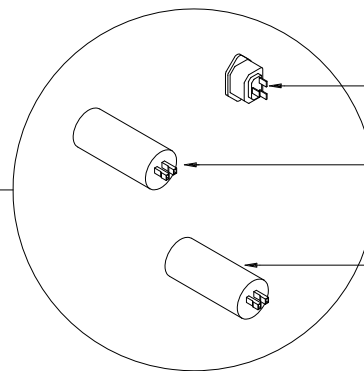
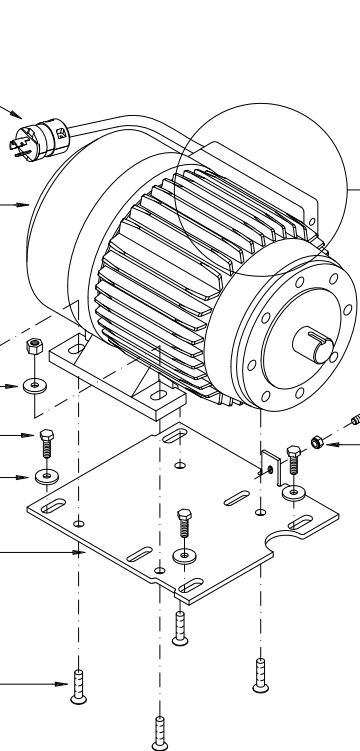
51.000.3.0244
N°4 WASHER

58.007.3.0804
N°4 SCREW (VTE) M8x30

51.000.3.0244
N°4 WASHER

45.000.3.0016

58.006.3.0802
N°4 SCREW (VTSEI) M8x30



40.000.3.2114

45.000.3.0009
CAPACITOR 40µF

45.000.3.0008
CAPACITOR 70µF

58.003.3.0811
SCREW (VTCEI) M8x40

58.019.3.0008
NUT M8



KUNZLE & TASIN
Via CAJKOVSKIJ 14-20092-CINISELLO BALSAMO (MI)
TEL. 02/66040930 FAX 02/66013445

QX 45

**SCORPION
DCS**

230V/50Hz - 240V/50Hz - 115V/60Hz

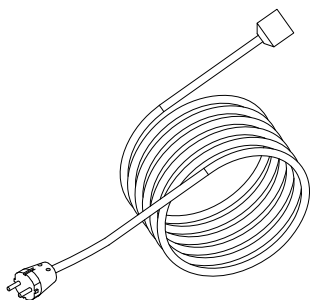
KT-BONA

PAGE 5/6

OCTOBER 2014

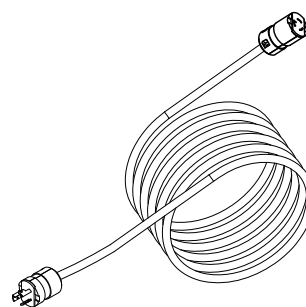
29.000.3.0115

7 MT POWER CABLE (230-240V/50Hz)



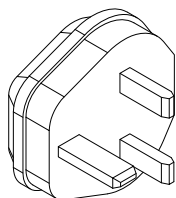
AS0904025

10 MT USA POWER CABLE (115V/60Hz)



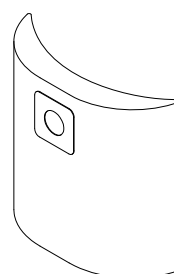
51.000.3.1283

PLUG ADAPTOR 13A UK



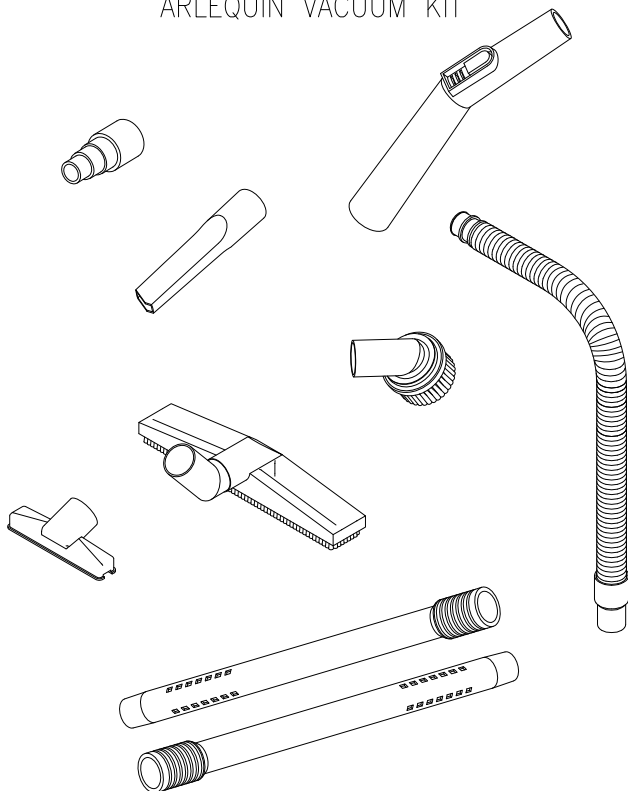
45.000.3.0050

5 PAPER DUST BAG BLISTER



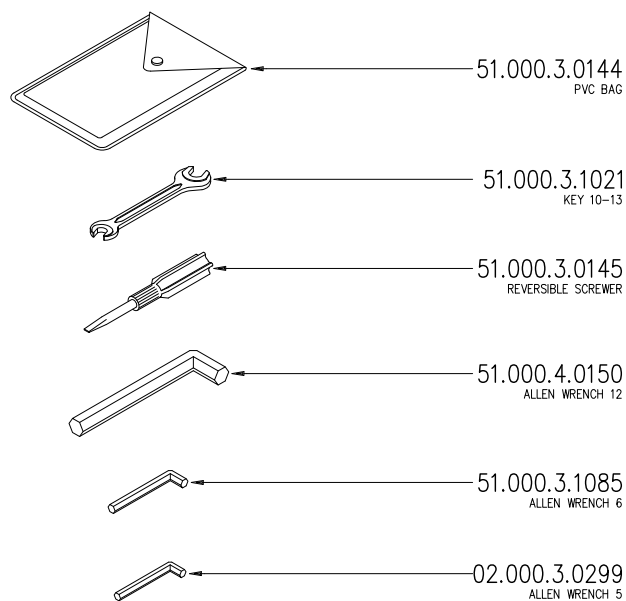
45.999.4.0010

ARLEQUIN VACUUM KIT



45.999.4.0020

TOOLBAG EXP./EASY-FIT



51.000.3.0144
PVC BAG

51.000.3.1021
KEY 10-13

51.000.3.0145
REVERSIBLE SCREWDRIVER

51.000.4.0150
ALLEN WRENCH 12

51.000.3.1085
ALLEN WRENCH 6

02.000.3.0299
ALLEN WRENCH 5



KUNZLE & TASIN

Via CAJKOVSKIJ 14-20092-CINISELLO BALSAMO (MI)
TEL. 02/66040930 FAX 02/66013445

QX 45

**SCORPION
DCS**

230V/50Hz - 240V/50Hz - 115V/60Hz

KT-BONA

PAGE 6/6

OCTOBER 2014