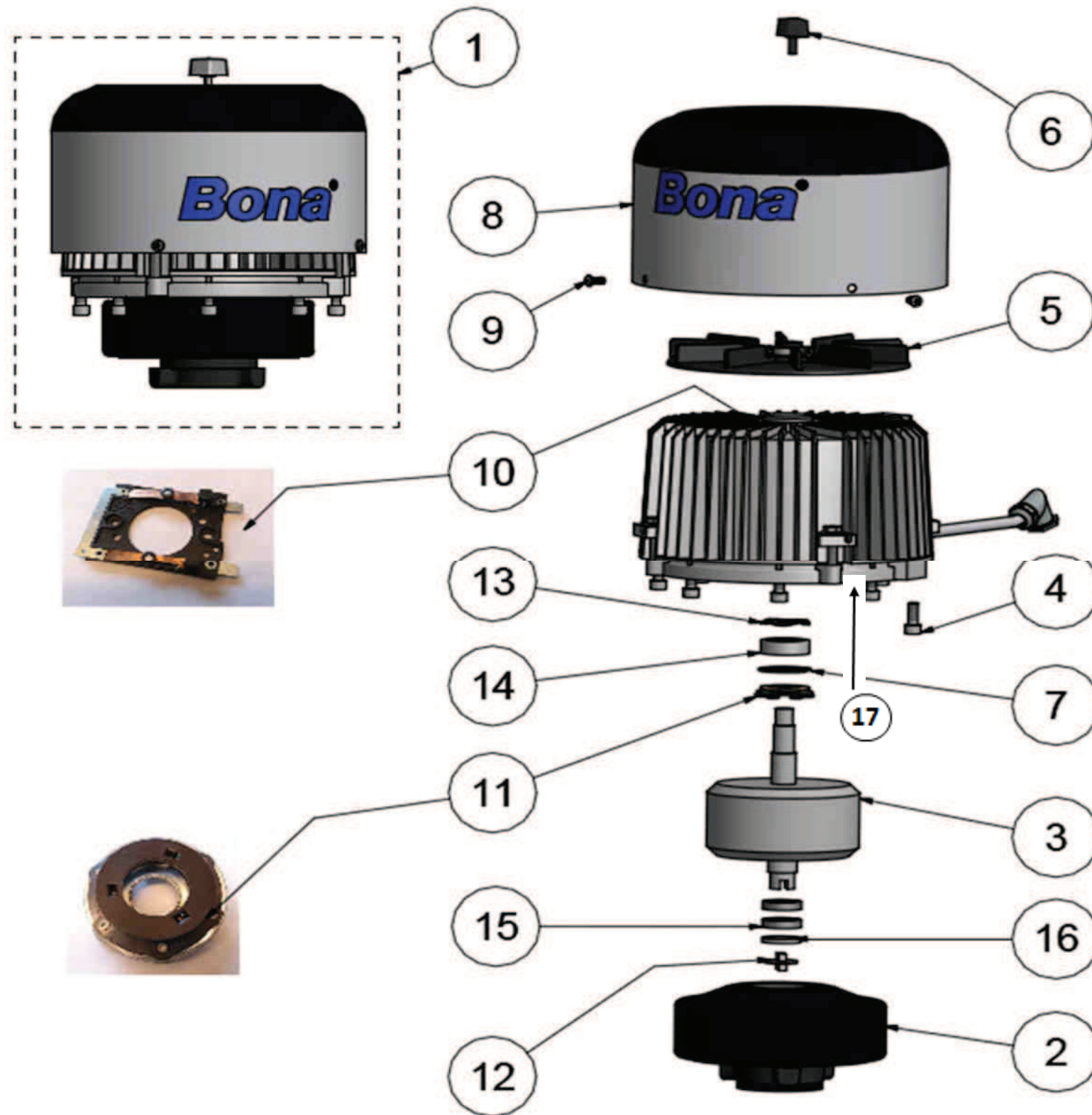


Flexisand 1.5 AMO310001

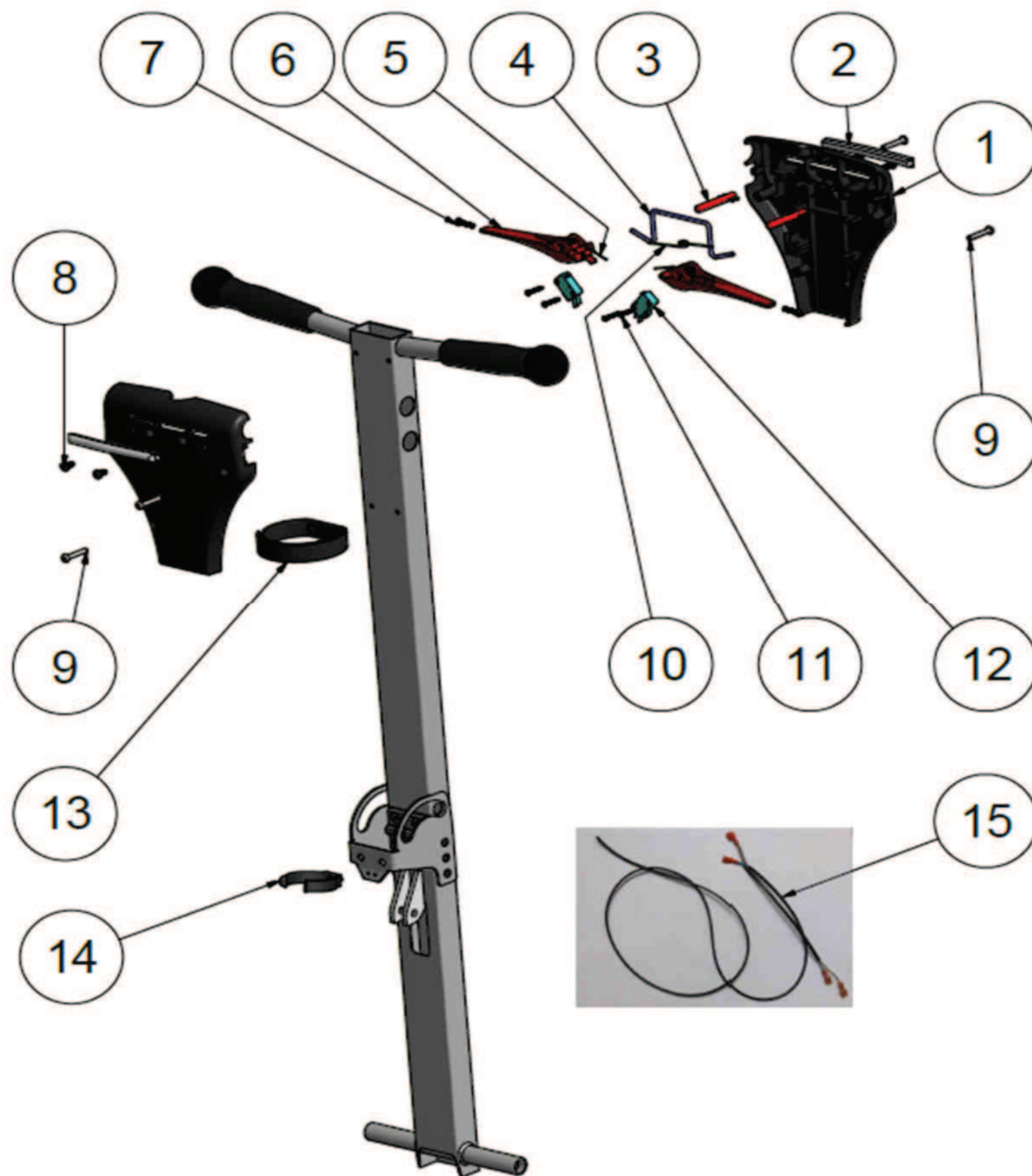
ITEM	DESCRIPTION	PART NUMBER
1	Dustskirt Flexisand	ASO312102
2	Rubber plate	ASO312007
3	"Pad driver 16"" assembly"	ASO312501
4	Handle axle	ASO311004
5	Chassie incl.rubber bumper	ASO311050
6	Flexisand wheel set	ASO319915
7	Breaking protection M12x1,5	ASO903992
8	Rear handle set	ASO319910
9	Release kit	ASO319921
10	Dusttube clip incl. Screws	ASO319923
11	Locking for handle kit	ASO319917
12	Hinge Kit inox Flexisand	ASK3199940100
13	Knob handle set	ASO316505
14	Handle flexible, complete	ASO316500
15	Lockable gas spring	ASK3199948101
16	Dust tube, complete	ASO316600
17	Tilt breaker set	ASO319911
18	Screw kit	ASO319918
19	Printed Circuit Board Flexisand	ASK3100030500
20	Start.equipment, 230V, compl. FIR	ASO314700
21	El. socket 230V 2+1 pol	ASO903236
22	Cable stand, PVC, 3x1,5 mm	ASO903880
23	HOUR METER WITH DATA & INFO	ASK7200030038
24	THERMAL OVERLOAD CIRCUIT BREAKER	ASO315120
25	START CAPACITOR 145-174 MF	ASK4600030119
26	RUN CAPACITOR 40 MF	ASK4600030120
27	Carry handle set	ASO311020
28	Rubber bumper machine cover	ASO311002
29	Screw cap, M16, steel	ASO901518



Flexisand 1.5 AMO310001

ITEM	DESCRIPTION	PART NUMBER
1	Motor 1,5 kW, 230 V 50 Hz FIR ass'y	ASO315850
2	Planet gearbox 10:1 Imperial	ASO901915
3	Rotor with shaft	ASO900558
4	Screw MC6S M8x20 fzb 8.8	ASO952518
5	Fan for motor	ASO900552
6	Wingh. screw WN315.3 32-M6x15	ASO945163
7	Circlip ring SGH40	ASO931040
8	Motor cover FIR painted	ASO315175
9	SCREW M5X12 FLANGED TORX LOW HEAD	ASK5801630512
10	Centrifugal Switch (Stationary)	ASO900554
11	Centrifugal Switch (rotating)	ASO900553
12	Flexible coupling steel	ASO900557
13	Upper wave washer FIR 1.5	ASO900561
14	Upper bearing FIR 1.5	ASO900560
15	Lower bearing FIR 1.5 - 1 piece (2 pieces installed)	ASO900559
16	Spacer for FIR 1.5	ASO900562
17	MOTOR BLIND FLANGE-F 1500W	ASK3100030709

Bona FlexiSand_AMO310001_Motor_2022



Flexisand 1.5 AMO310001

ITEM	DESCRIPTION	PART NUMBER
1	Handle cover (1PC=2cover)	ASO316011
2	Protection rubber,strip/handle	ASO316005
3	Start-brake axle/handle,compl.	ASO316504
4	Blocking axle to handle	ASO311006
5	Spring for handle lever	ASO942305
6	Handle lever	ASO316012
7	Screw Egot PT K40x20 WN1452	ASO957942
8	Screw Torx MRT-TT M5x10 fzb	ASO957913
9	Screw Egot Delta PT50x30 WN5452	ASO957953
10	Locking spring	ASO942112
11	Screw Egot PT K30x20 WN1452	ASO957932
12	Micro switch D3V-16-1C5	ASO903869
13	Velcro incl. Screws	ASO319922
14	Dusttube clip incl. Screws	ASO319923
15	Cable for handle	ASO319944