



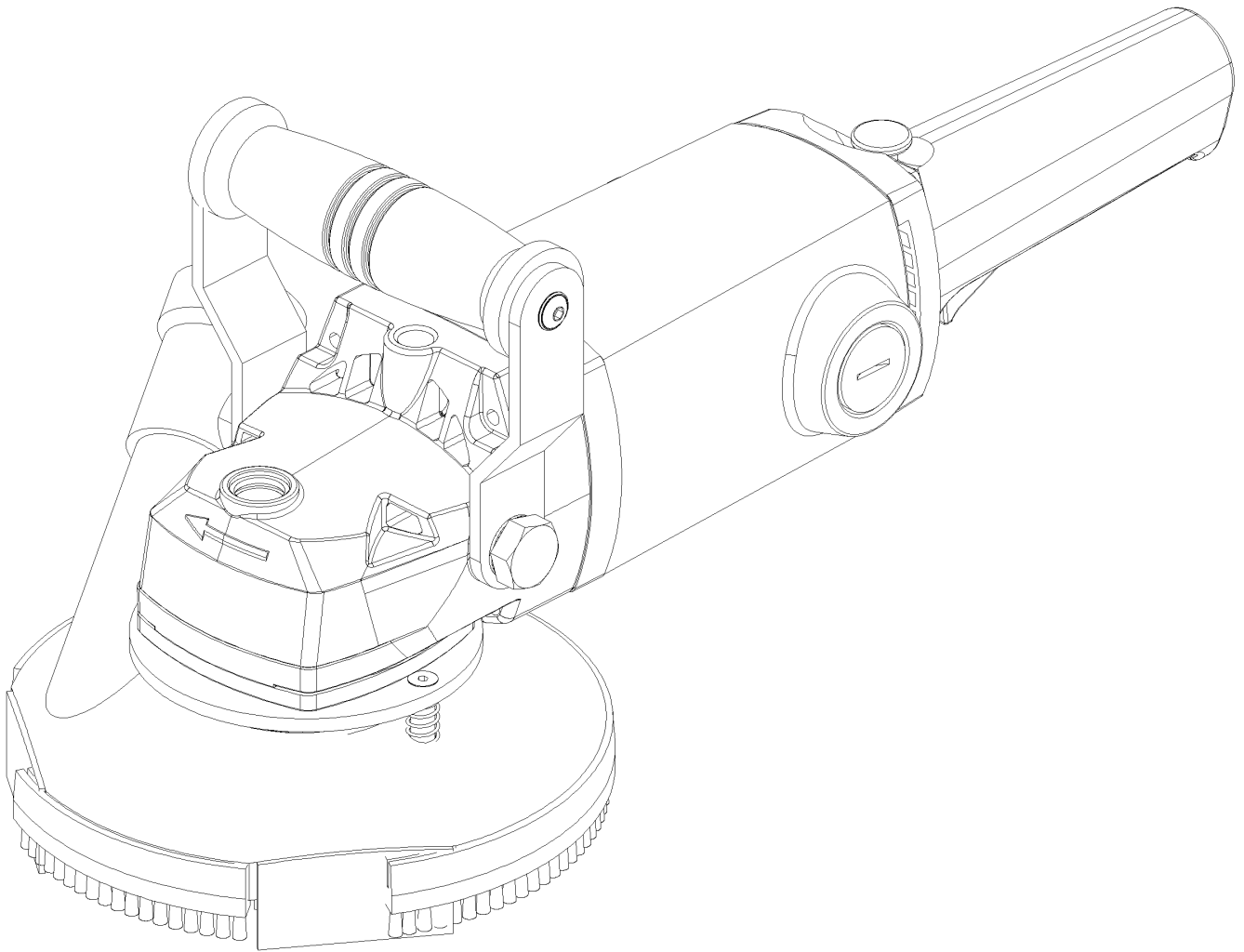
spare parts list BS180 230V EU



Table of contents

| | | |
|---|---------------------------------------|----|
| 5 | BS180 (0584/2006 - 0660/2006) | 3 |
| | 1 Machine | 5 |
| | 1 Motor 230V Flex BS180 | 7 |
| | 3 Circuit Diagram | 10 |
| | 5 Accessories | 12 |
| 6 | BS180 (0661/2006 - 01421/2017) | 13 |
| | 1 Machine | 15 |
| | 1 Motor cpl.230V Flex BS180 ab Sept06 | 17 |
| | 3 Circuit Diagram | 20 |
| | 5 Accessories | 22 |
| 7 | BS180 (01422/2017 - 01440/2017) | 23 |
| | 1 Machine | 25 |
| | 1 Motor cpl.230V Flex BS180 ab Sept06 | 27 |
| | 3 Circuit Diagram | 30 |
| | 5 Accessories | 32 |
| 8 | BS180 (01441/2017 - heute) | 33 |
| | 1 Machine | 35 |
| | 1 Motor WE22 230V 50-60Hz | 37 |
| | 3 Circuit Diagram | 40 |
| | 5 Accessories | 42 |

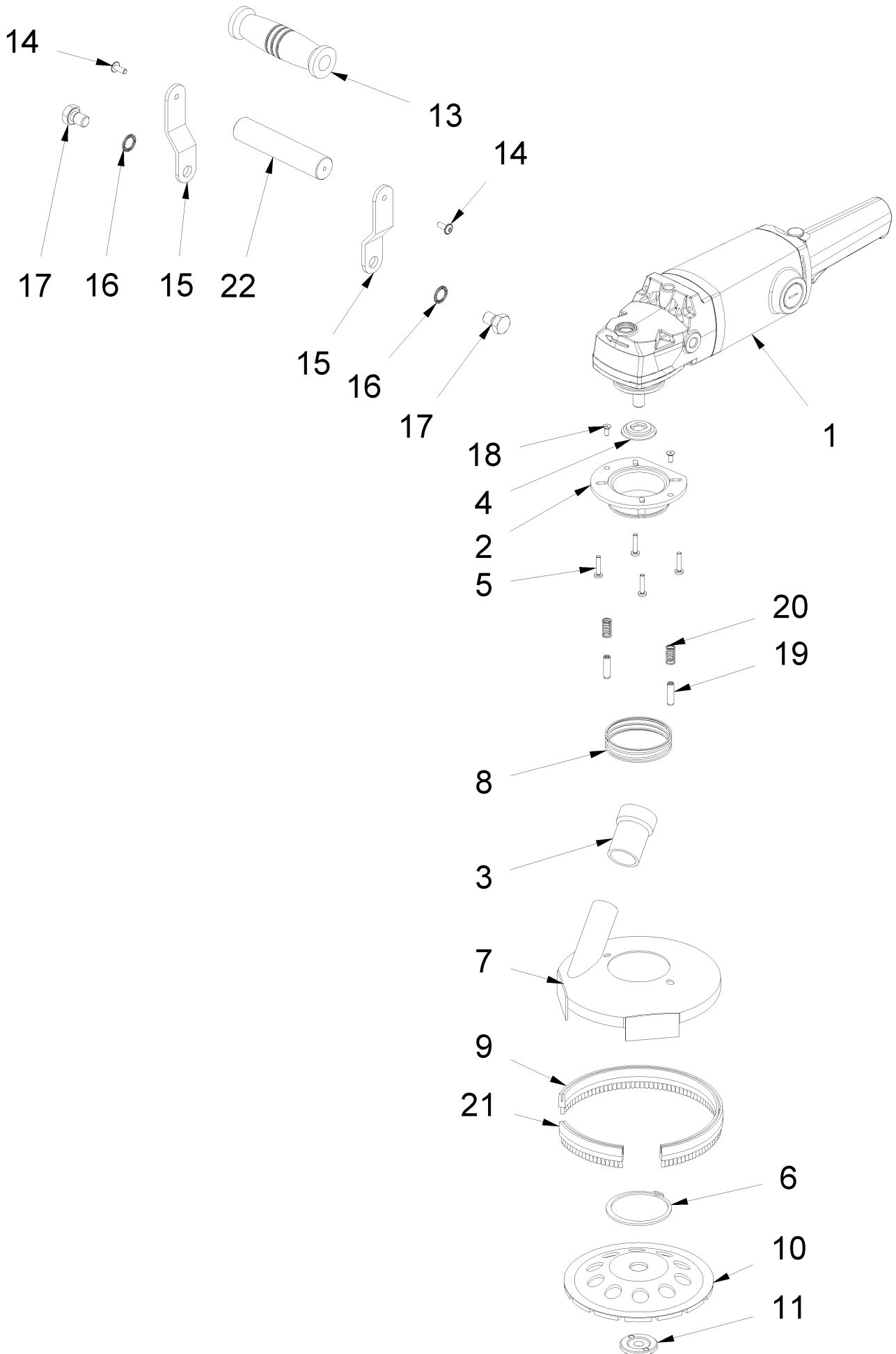
5 BS180 (0584/2006 - 0660/2006)



5 BS180 (0584/2006 - 0660/2006)

| Item no. | Article no. | Description |
|----------|--------------|-----------------|
| 1 | 05_01_015930 | Machine |
| 3 | 01_03_015930 | Circuit Diagram |
| 5 | 05_05_015930 | Accessories |

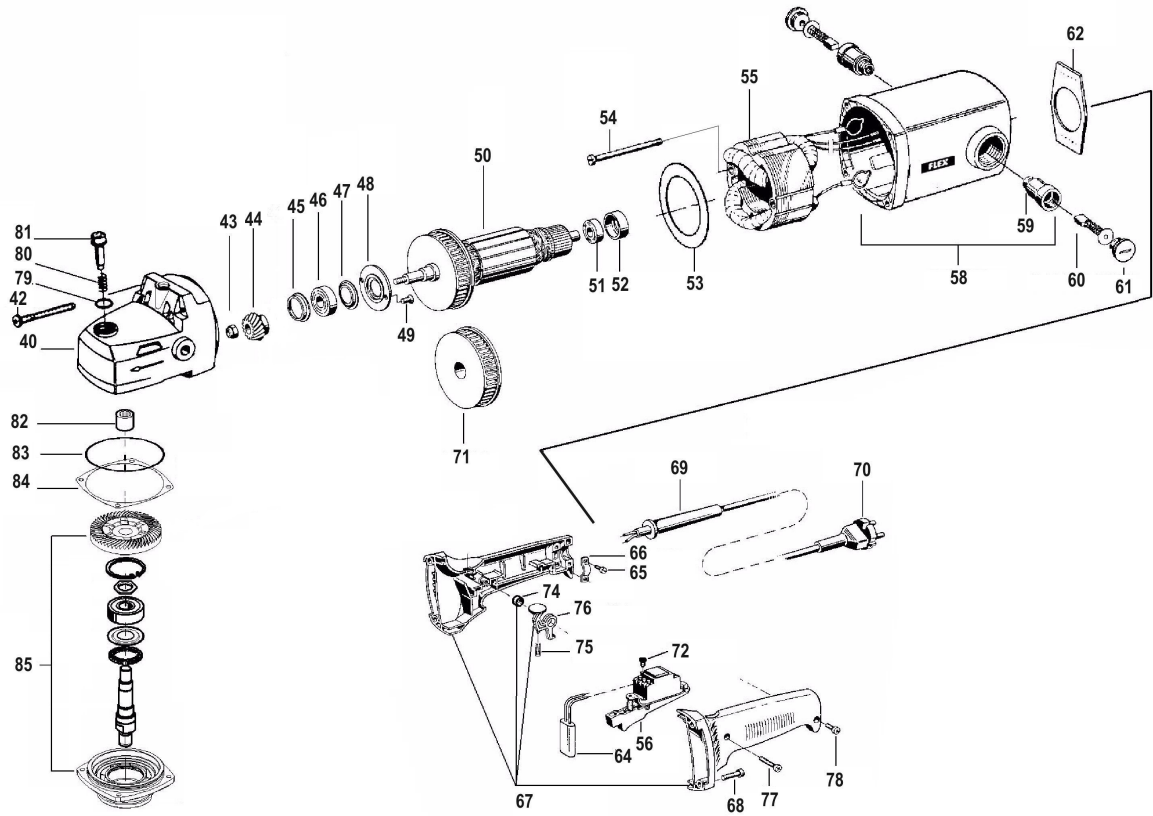
1 Machine



1 Machine

| Item no. | Article no. | Description | Quantity |
|----------|-------------|---|----------|
| 1 | 038537 | Motor 230V Flex BS180 | 1 |
| 2 | 017868 | Flange f.Flexi-cover BS180 | 1 |
| 3 | 015387 | Suction nozzle short BS 180 | 1 |
| 4 | 070329 | Driver disc BS180/EF135 | 1 |
| 5 | 014750 | Cylinder head bolt M5x25 DIN 912 microv | 4 |
| 6 | 017645 | Safety washer A72 DIN 471 | 1 |
| 7 | 020746 | SG cover Flexi Wolff | 1 |
| 8 | 016938 | Central spring | 1 |
| 9 | 017960 | Brush long h10 /400mm 2-teilig | 1 |
| 10 | 015932 | Dia-Grinding disc, single row BS 180 | 1 |
| 11 | 017620 | Two pin nut M14 f.BS 180S | 1 |
| 13 | 014923 | Grip cover/foam | 1 |
| 14 | 017558 | Lens head screw M 6x25 | 2 |
| 15 | 015388 | Handle BS 180 | 2 |
| 16 | 014863 | Schnorr Washer M14 | 2 |
| 17 | 014781 | Hexagon head screw M14x 20 DIN 933 | 2 |
| 18 | 017747 | Countersunk screw M5x12 DIN 7991 | 2 |
| 19 | 016873 | Cylindrical pin 8x30 DIN 7979 | 2 |
| 20 | 017557 | Pressure spring D151B / 11x22x1 | 2 |
| 21 | 017977 | Brush short h10 /85mm 2-teilig | 1 |
| 22 | 038532 | Distance reel Flex Motor | 1 |

1 Motor 230V Flex BS180



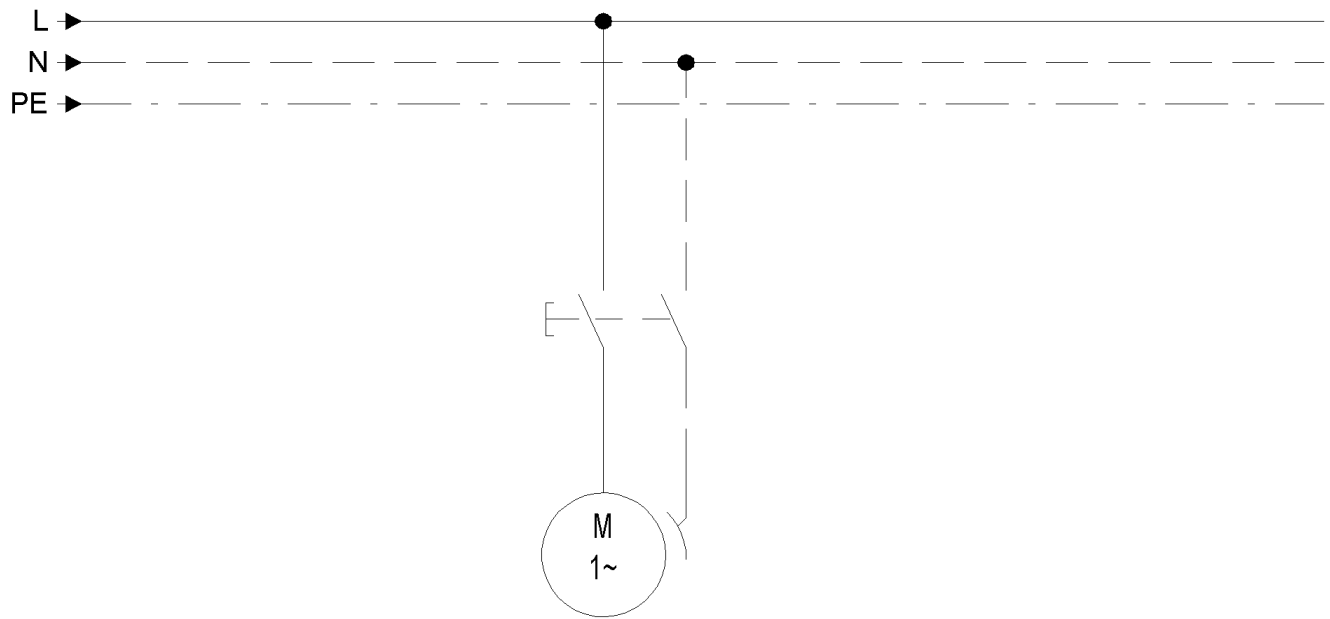
1 Motor 230V Flex BS180

| Item no. | Article no. | Description | Quantity |
|----------|-------------|--|----------|
| 40 | 039395 | Gear block housing Flex BS180 | 1 |
| 42 | 015191 | Cylinder head screw special M5x45 | 4 |
| 43 | 017676 | Hexagon nut M8 DIN 936 | 1 |
| 44 | 039396 | Pinion Flex BS180 | 1 |
| 45 | 015194 | Sealing ring Flex BS180/Duro | 1 |
| 46 | 014709 | Ball-bearing 6202 | 1 |
| 47 | 015195 | Sealing ring Flex BS180/Duro | 1 |
| 48 | 015196 | Cover Flex BS180/Duro | 1 |
| 49 | 016312 | Countersunk bolt M5x16 DIN 7991 10.9 | 1 |
| 50 | 039397 | Armature Flex BS180 | 1 |
| 51 | 014701 | Ball-bearing 6001 2RSC3 | 1 |
| 52 | 015199 | Bearing ring BS180/Duro | 1 |
| 53 | 015200 | Air guide Flex BS180/Duro | 1 |
| 54 | 019523 | Plastic Bolt 5x74 TX25 | 2 |
| 55 | 039398 | Magnetic field Flex BS180 | 1 |
| 56 | 039411 | Gwitch Flex BS180 | 1 |
| 58 | 015203 | Motor case with carbon brush holder 230V | 1 |
| 59 | 015205 | Carbon brush holder 230V Duro | 2 |
| 60 | 016853 | Carbon brush 230 V Duro | 2 |
| 61 | 015207 | Carbon brush cap BS180/Duro | 2 |
| 62 | 039400 | Sealing plate Flex BS180 | 1 |
| 64 | 039429 | Approach resistance 115V Flex BS180 | 1 |
| 64 | 015235 | Current limiter 230V 3adrig BIRO | 1 |
| 65 | 039428 | Lens head screw Flex BS180 | 2 |
| 66 | 039412 | Cable clamp Flex BS180 | 1 |
| 67 | 039413 | Handle Flex BS180 | 1 |
| 68 | 018278 | Cylinder head screw M5x30 DIN 912 | 2 |
| 69 | 039414 | Cable protection cover Flex BS180 | 1 |
| 70 | 015215 | Cable 2x1 ² x4m black w.plug | 1 |
| 71 | 015216 | Fan Flex BS180/Duro | 1 |
| 72 | 039427 | Screw Flex BS180 | 1 |
| 74 | 039415 | Bushing Flex BS180 | 1 |
| 75 | 039416 | Spring Flex BS180 | 1 |
| 76 | 039417 | Pusher Flex BS180 | 1 |

1 Motor 230V Flex BS180

| Item no. | Article no. | Description | Quantity |
|----------|-------------|---|----------|
| 77 | 018019 | screw KT Flex Junio03 | 1 |
| 78 | 039419 | Screw Flex BS180 | 1 |
| 79 | 015278 | O-ring for locking pin Fräsmaster | 1 |
| 80 | 039421 | Spring Flex BS180 | 1 |
| 81 | 039422 | Locking button Flex BS180 | 1 |
| 82 | 015190 | Needle bearing HK 1512 Motor Duro 2.0 | 1 |
| 83 | 015218 | Sealing ring Motor Duro 2.0 | 1 |
| 84 | 015219 | Distance ring 0,2 mm | 1 |
| 84 | 016944 | Distance ring 0,3 mm Motor Duro 2.0 | 1 |
| 85 | 039425 | Gear shaft cpl. Flex BS180 BS180 (L2108 | 1 |
| 87 | 039426 | Gear set Flex BS180 | 1 |

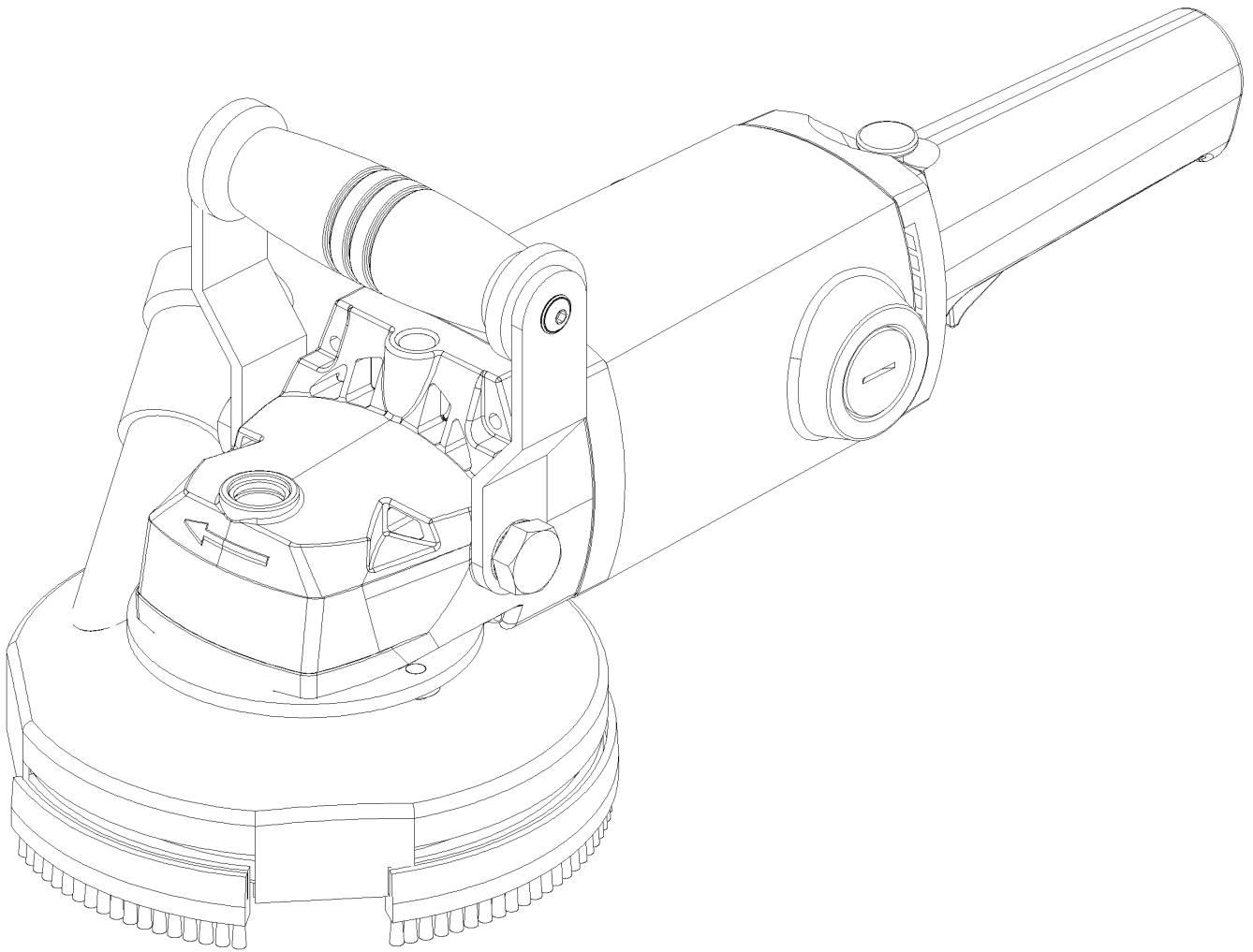
3 Circuit Diagram



3 Circuit Diagram

5 Accessories

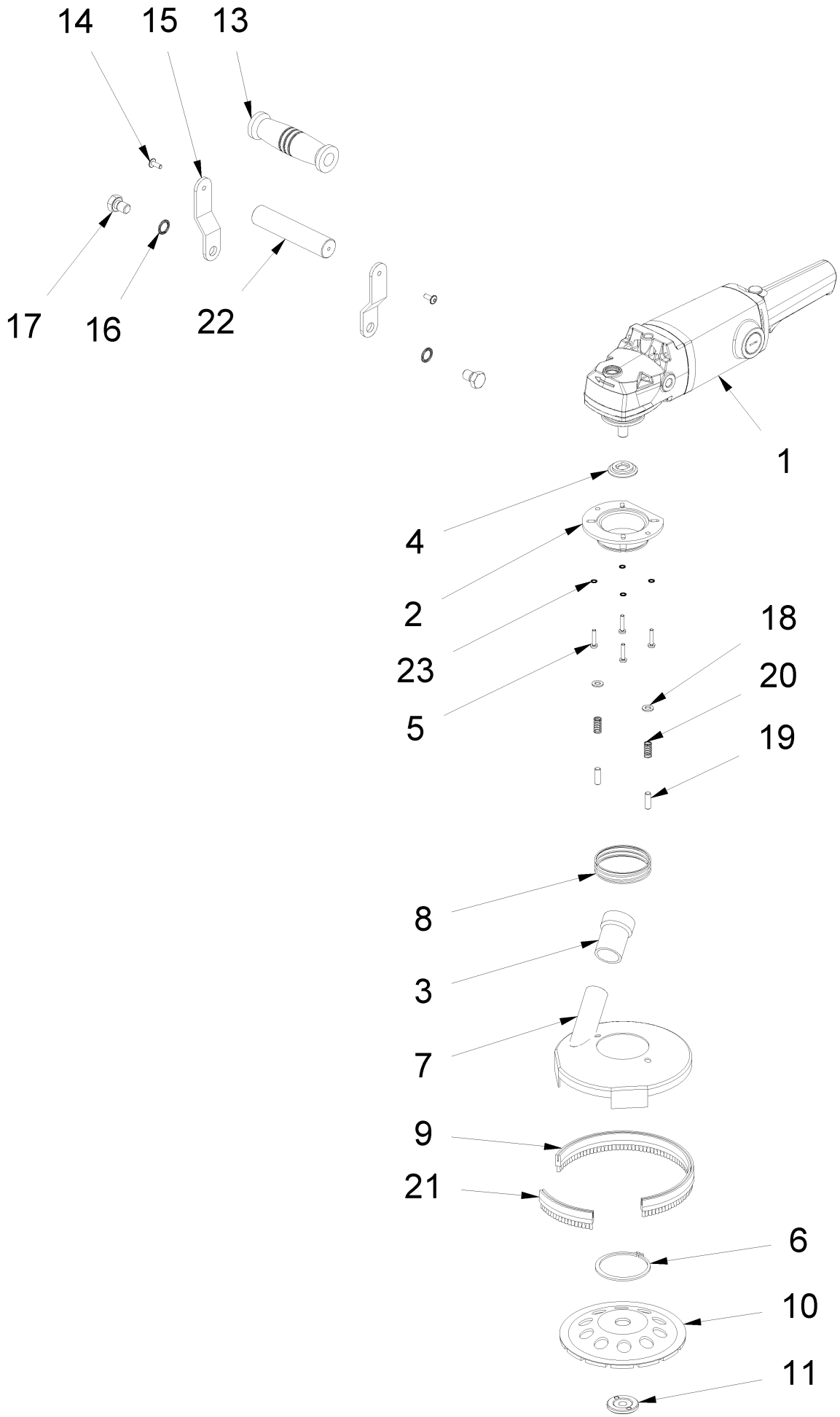
| Item no. | Article no. | Description |
|----------|-------------|--------------------------------------|
| 1 | 015315 | Hearing protectors |
| 2 | 015316 | Protective goggles |
| 3 | 014961 | twin hole spanner DIN3116-SW35-5.5mm |
| 4 | 014957 | Hexagonal screw key SW6 DIN 911 |
| 5 | 015931 | Mounting kit |
| 6 | 020938 | Carrying case Duro Meta |
| 7 | 019275 | Insert ISL f.Duro bag |



6 BS180 (0661/2006 - 01421/2017)

| Item no. | Article no. | Description |
|----------|--------------|-----------------|
| 1 | 06_01_015930 | Machine |
| 3 | 01_03_015930 | Circuit Diagram |
| 5 | 06_05_015930 | Accessories |

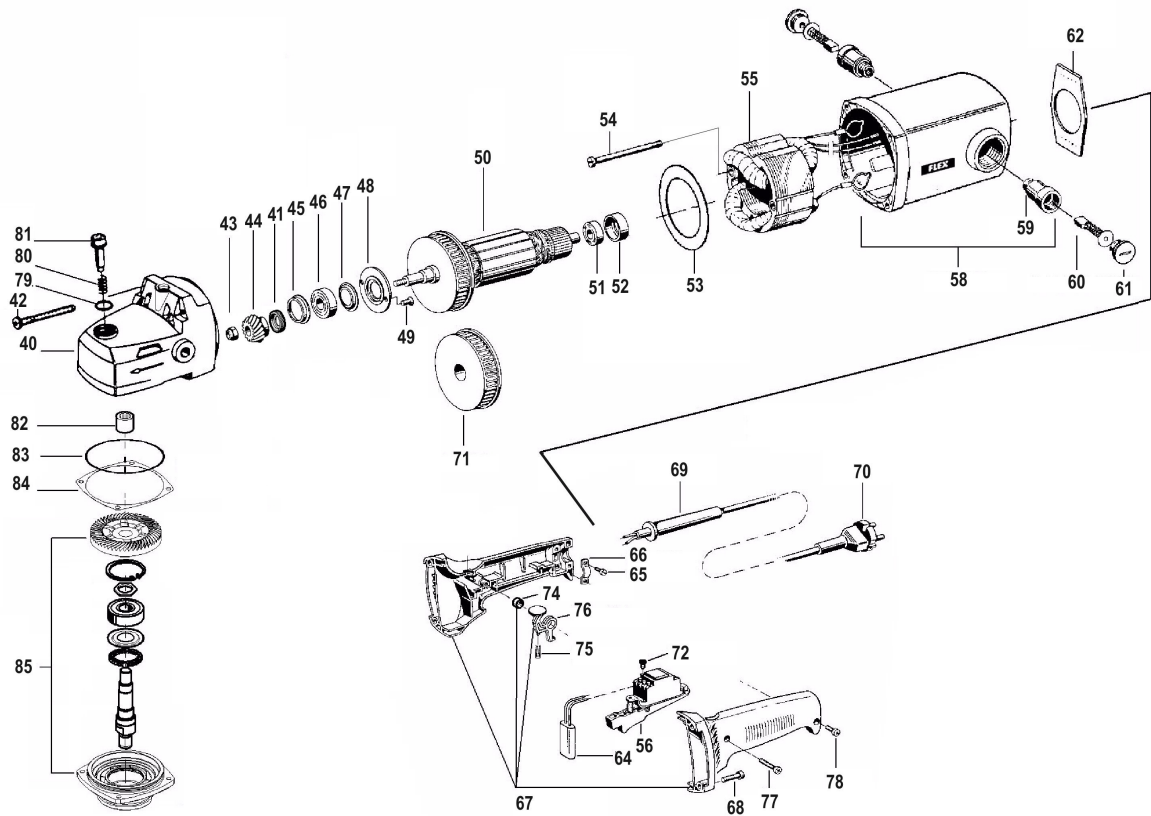
1 Machine



1 Machine

| Item no. | Article no. | Description | Quantity |
|----------|-------------|---|----------|
| 1 | 041232 | Motor cpl.230V Flex BS180 ab Sept06 | 1 |
| 2 | 017868 | Flange f.Flexi-cover BS180 | 1 |
| 3 | 015387 | Suction nozzle short BS 180 | 1 |
| 4 | 070329 | Driver disc BS180/EF135 | 1 |
| 5 | 014750 | Cylinder head bolt M5x25 DIN 912 microv | 4 |
| 6 | 017645 | Safety washer A72 DIN 471 | 1 |
| 7 | 020746 | SG cover Flexi Wolff | 1 |
| 8 | 016938 | Central spring | 1 |
| 9 | 017397 | Brush long for dia grinder set | 1 |
| 10 | 015932 | Dia-Grinding disc, single row BS 180 | 1 |
| 11 | 017620 | Two pin nut M14 f.BS 180S | 1 |
| 13 | 014923 | Grip cover/foam | 1 |
| 14 | 017558 | Lens head screw M 6x25 | 2 |
| 15 | 015388 | Handle BS 180 | 2 |
| 16 | 014863 | Schnorr Washer M14 | 2 |
| 17 | 014781 | Hexagon head screw M14x 20 DIN 933 | 2 |
| 18 | 014828 | Washer M8 DIN 125 A | 2 |
| 19 | 041386 | Shaft screw M8x35 DIN 427 | 2 |
| 20 | 017557 | Pressure spring D151B / 11x22x1 | 2 |
| 21 | 017395 | Brush short for dia grinder set | 1 |
| 22 | 038532 | Distance reel Flex Motor | 1 |
| 23 | 014858 | Schnorr washer M5 | 4 |

1 Motor cpl.230V Flex BS180 ab Sept06



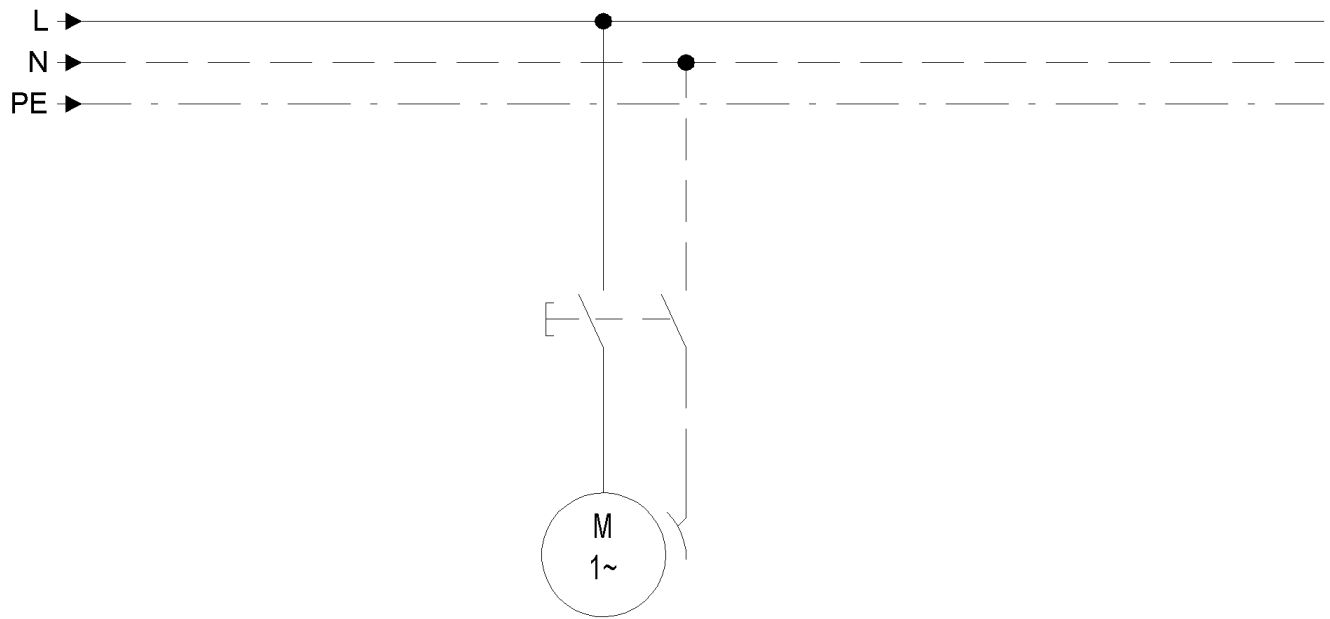
1 Motor cpl.230V Flex BS180 ab Sept06

| Item no. | Article no. | Description | Quantity |
|----------|-------------|---|----------|
| 40 | 039395 | Gear block housing Flex BS180 | 1 |
| 41 | 041731 | Bushing f.pinion BS180 2106VC | 1 |
| 42 | 015191 | Cylinder head screw special M5x45 | 4 |
| 43 | 017676 | Hexagon nut M8 DIN 936 | 1 |
| 44 | 021187 | Pinion Flex BS180 (2106 V) | 1 |
| 45 | 015194 | Sealing ring Flex BS180/Duro | 1 |
| 46 | 014709 | Ball-bearing 6202 | 1 |
| 47 | 015195 | Sealing ring Flex BS180/Duro | 1 |
| 48 | 015196 | Cover Flex BS180/Duro | 1 |
| 49 | 015197 | Counter sink screw M5x16 SEE 16312 | 1 |
| 50 | 039397 | Armature Flex BS180 | 1 |
| 50 | 015237 | Armature cpl.115V Duro | 1 |
| 51 | 014701 | Ball-bearing 6001 2RSC3 | 1 |
| 52 | 015199 | Bearing ring BS180/Duro | 1 |
| 53 | 015200 | Air guide Flex BS180/Duro | 1 |
| 54 | 019523 | Plastic Bolt 5x74 TX25 | 2 |
| 55 | 039398 | Magnetic field Flex BS180 | 1 |
| 55 | 015238 | Magnetic field 115V BS180/Duro | 1 |
| 56 | 039411 | Gwitch Flex BS180 | 1 |
| 58 | 015203 | Motor case with carbon brush holder 230V | 1 |
| 58 | 015204 | Motor case with carbon brush holder 115V | 1 |
| 59 | 015205 | Carbon brush holder 230V Duro | 2 |
| 59 | 015206 | Carbon brush holder 115V BS180/Duro | 2 |
| 60 | 039399 | Carbon brush 230V Duro 230V | 2 |
| 61 | 015207 | Carbon brush cap BS180/Duro | 2 |
| 62 | 039400 | Sealing plate Flex BS180 | 1 |
| 64 | 015235 | Current limiter 230V 3adrig BIRO | 1 |
| 64 | 039429 | Approach resistance 115V Flex BS180 | 1 |
| 65 | 039428 | Lens head screw Flex BS180 | 2 |
| 66 | 039412 | Cable clamp Flex BS180 | 1 |
| 67 | 039413 | Handle Flex BS180 | 1 |
| 68 | 018278 | Cylinder head screw M5x30 DIN 912 | 2 |
| 69 | 039414 | Cable protection cover Flex BS180 | 1 |
| 70 | 014713 | Cord 2x1,5 ² x4m black w.nonrewireableplug | 1 |

1 Motor cpl.230V Flex BS180 ab Sept06

| Item no. | Article no. | Description | Quantity |
|----------|-------------|---|----------|
| 71 | 015216 | Fan Flex BS180/Duro | 1 |
| 72 | 039427 | Screw Flex BS180 | 1 |
| 74 | 039415 | Bushing Flex BS180 | 1 |
| 75 | 039416 | Spring Flex BS180 | 1 |
| 76 | 039417 | Pusher Flex BS180 | 1 |
| 77 | 039418 | Screw Flex BS180 SEE 18019 | 1 |
| 78 | 039419 | Screw Flex BS180 | 1 |
| 79 | 039420 | Ring Flex BS180 SEE 15278 | 1 |
| 80 | 039421 | Spring Flex BS180 | 1 |
| 81 | 039422 | Locking button Flex BS180 | 1 |
| 82 | 015190 | Needle bearing HK 1512 Motor Duro 2.0 | 1 |
| 83 | 015217 | Distance ring Flex BS180 SEE015219 | 1 |
| 84 | 015219 | Distance ring 0,2 mm | 1 |
| 84 | 016944 | Distance ring 0,3 mm Motor Duro 2.0 | 1 |
| 85 | 041282 | Gear shaft cpl. Flex BS 180 (SMR2106) | 1 |
| 86 | 048329 | Protectiv switch f.motor230A 10A Schuko | 1 |
| 86 | 048357 | Protectiv switch f.motor230A 10A CH | 1 |
| 86 | 019170 | Plug 3-pol.230V SK1 UK | 1 |

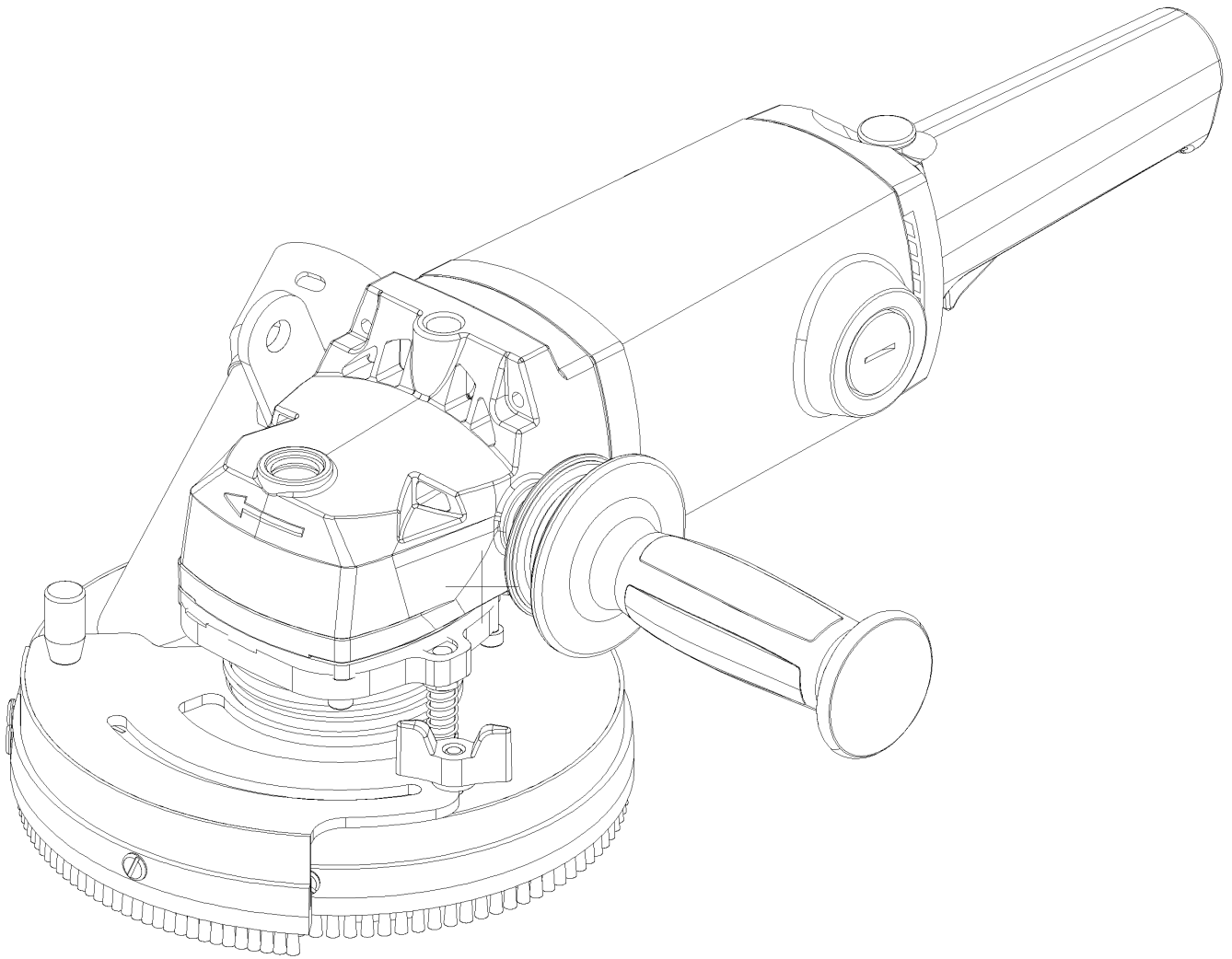
3 Circuit Diagram



3 Circuit Diagram

5 Accessories

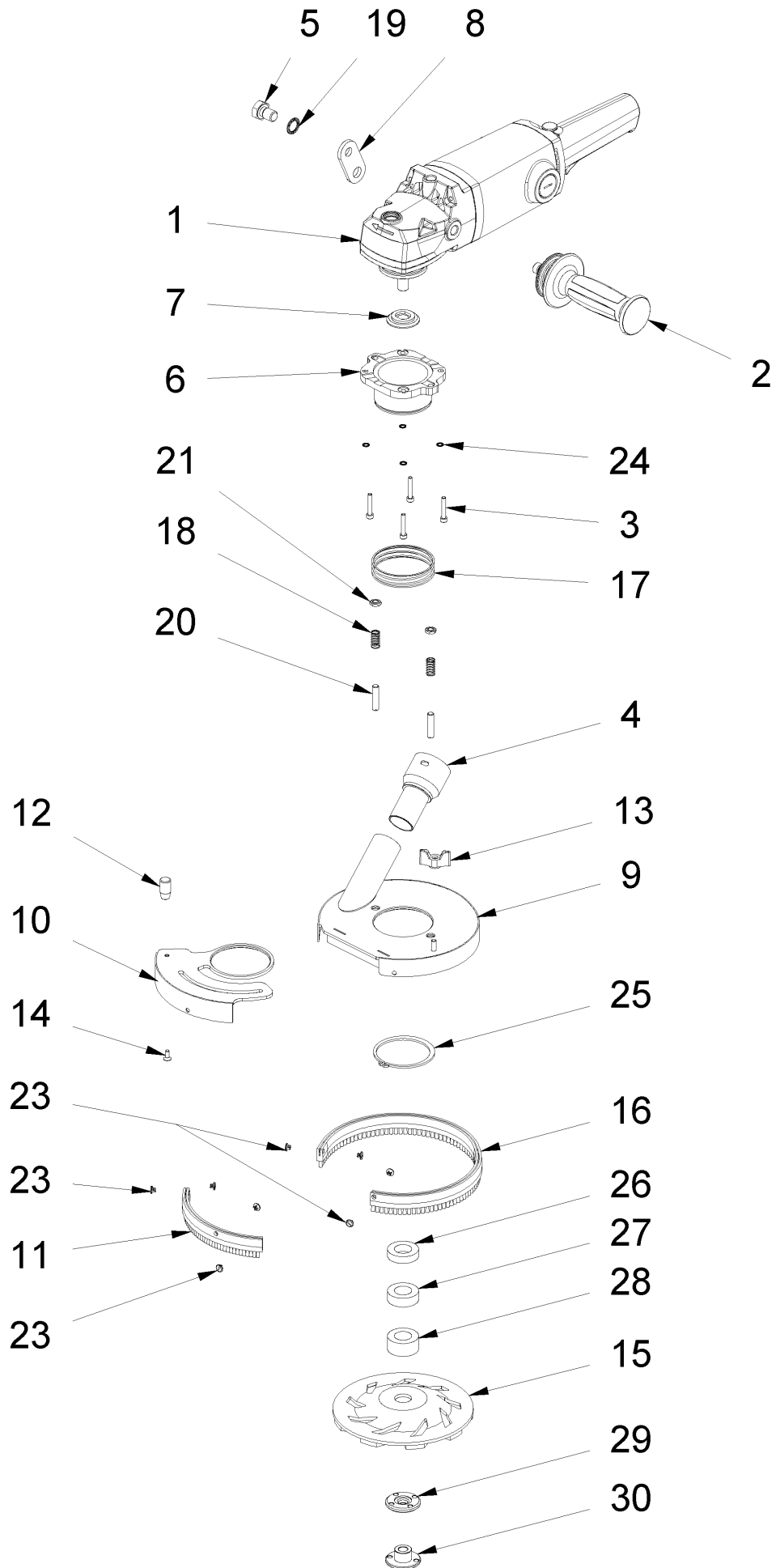
| Item no. | Article no. | Description |
|----------|-------------|--------------------------------------|
| 1 | 015315 | Hearing protectors |
| 2 | 015316 | Protective goggles |
| 3 | 014961 | twin hole spanner DIN3116-SW35-5.5mm |
| 4 | 014957 | Hexagonal screw key SW6 DIN 911 |
| 5 | 015931 | Mounting kit |
| 6 | 020938 | Carrying case Duro Meta |
| 7 | 019275 | Insert ISL f.Duro bag |



7 BS180 (01422/2017 - 01440/2017)

| Item no. | Article no. | Description |
|----------|--------------|-----------------|
| 1 | 07_01_015930 | Machine |
| 3 | 01_03_015930 | Circuit Diagram |
| 5 | 07_05_015930 | Accessories |

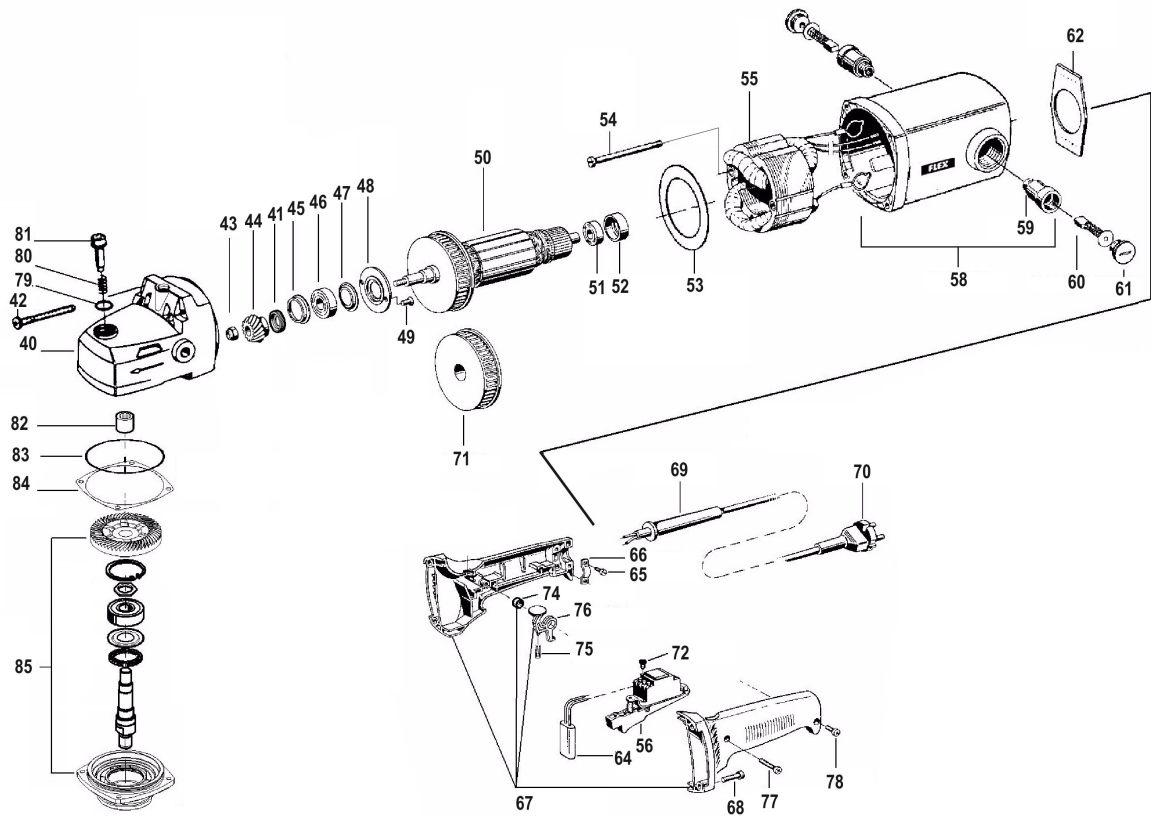
1 Machine



1 Machine

| Item no. | Article no. | Description | Quantity |
|----------|-------------|---------------------------------------|----------|
| 1 | 041232 | Motor cpl.230V Flex BS180 ab Sept06 | 1 |
| 2 | 082537 | Anti-vibration handle, M 14 BS 180 | 1 |
| 3 | 018278 | Cylinder head screw M5x30 DIN 912 | 4 |
| 4 | 066218 | Sleeve dust pipe Gecko/Dust | 1 |
| 5 | 014781 | Hexagon head screw M14x 20 DIN 933 | 1 |
| 6 | 082652 | Flange for cover BS 180 | 1 |
| 7 | 070329 | Driver disc BS180/EF135 | 1 |
| 8 | 082613 | Flap M14 BS180 galvanised | 1 |
| 9 | 082680 | SG Haube exten-trisch BS180 | 1 |
| 10 | 082677 | SG Schiebeklappe BS 180 | 1 |
| 11 | 082655 | Brush short BS 180 | 1 |
| 12 | 053426 | Cylindr.knob Cobra 09 | 1 |
| 13 | 047796 | Wing nut M6 plastic | 1 |
| 14 | 017747 | Countersunk screw M5x12 DIN 7991 | 1 |
| 15 | 075407 | Dia-Grinding disc Ø180mm ES K20 black | 1 |
| 16 | 082656 | Brush long BS 180 | 1 |
| 17 | 016938 | Central spring | 1 |
| 18 | 017557 | Pressure spring D151B / 11x22x1 | 2 |
| 19 | 014863 | Schnorr Washer M14 | 1 |
| 20 | 041386 | Shaft screw M8x35 DIN 427 | 2 |
| 21 | 017676 | Hexagon nut M8 DIN 936 | 2 |
| 23 | 082549 | Snip&Snap Ral 9005 black | 8 |
| 24 | 014858 | Schnorr washer M5 | 4 |
| 25 | 017645 | Safety washer A72 DIN 471 | 1 |
| 26 | 080827 | Spacer 10 mm EF 135 | 1 |
| 27 | 038632 | Distance ring 13,0 mm | 1 |
| 28 | 017951 | Distance ring 19,0 mm | 1 |
| 29 | 082245 | Flange nut M14 WE22 SEE 159341 | 1 |
| 30 | 017424 | Two-hole clamping nut | 1 |

1 Motor cpl.230V Flex BS180 ab Sept06



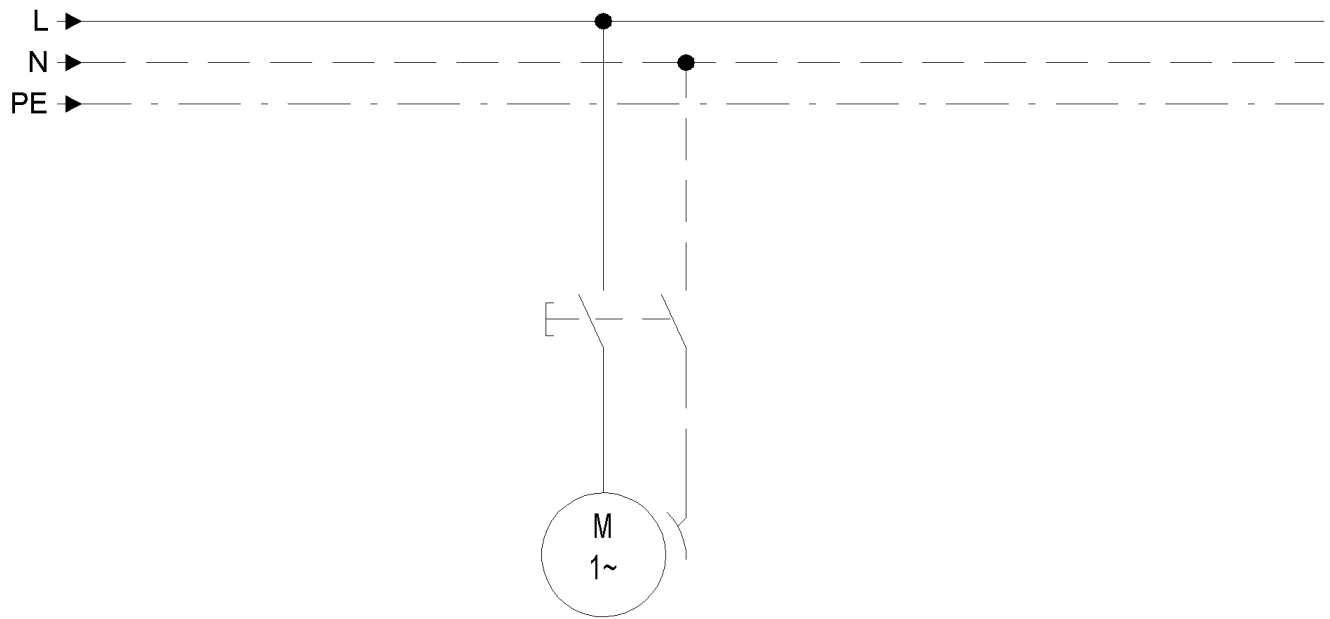
1 Motor cpl.230V Flex BS180 ab Sept06

| Item no. | Article no. | Description | Quantity |
|----------|-------------|--|----------|
| 40 | 039395 | Gear block housing Flex BS180 | 1 |
| 41 | 041731 | Bushing f.pinion BS180 2106VC | 1 |
| 42 | 015191 | Cylinder head screw special M5x45 | 4 |
| 43 | 017676 | Hexagon nut M8 DIN 936 | 1 |
| 44 | 021187 | Pinion Flex BS180 (2106 V) | 1 |
| 45 | 015194 | Sealing ring Flex BS180/Duro | 1 |
| 46 | 014709 | Ball-bearing 6202 | 1 |
| 47 | 015195 | Sealing ring Flex BS180/Duro | 1 |
| 48 | 015196 | Cover Flex BS180/Duro | 1 |
| 49 | 016312 | Countersunk bolt M5x16 DIN 7991 10.9 | 1 |
| 50 | 039397 | Armature Flex BS180 | 1 |
| 51 | 014701 | Ball-bearing 6001 2RSC3 | 1 |
| 52 | 015199 | Bearing ring BS180/Duro | 1 |
| 53 | 015200 | Air guide Flex BS180/Duro | 1 |
| 54 | 019523 | Plastic Bolt 5x74 TX25 | 2 |
| 55 | 039398 | Magnetic field Flex BS180 | 1 |
| 56 | 039411 | Gwitch Flex BS180 | 1 |
| 58 | 015203 | Motor case with carbon brush holder 230V | 1 |
| 59 | 015205 | Carbon brush holder 230V Duro | 2 |
| 60 | 016853 | Carbon brush 230 V Duro | 2 |
| 61 | 015207 | Carbon brush cap BS180/Duro | 2 |
| 62 | 039400 | Sealing plate Flex BS180 | 1 |
| 64 | 015235 | Current limiter 230V 3adrig BIRO | 1 |
| 64 | 039429 | Approach resistance 115V Flex BS180 | 1 |
| 65 | 039428 | Lens head screw Flex BS180 | 2 |
| 66 | 039412 | Cable clamp Flex BS180 | 1 |
| 67 | 039413 | Handle Flex BS180 | 1 |
| 68 | 018278 | Cylinder head screw M5x30 DIN 912 | 2 |
| 69 | 039414 | Cable protection cover Flex BS180 | 1 |
| 70 | 015215 | Cable 2x1 ² x4m black w.plug | 1 |
| 71 | 015216 | Fan Flex BS180/Duro | 1 |
| 72 | 039427 | Screw Flex BS180 | 1 |
| 74 | 039415 | Bushing Flex BS180 | 1 |
| 75 | 039416 | Spring Flex BS180 | 1 |

1 Motor cpl.230V Flex BS180 ab Sept06

| Item no. | Article no. | Description | Quantity |
|----------|-------------|---|----------|
| 76 | 039417 | Pusher Flex BS180 | 1 |
| 77 | 018019 | screw KT Flex Junio03 | 1 |
| 78 | 039419 | Screw Flex BS180 | 1 |
| 79 | 015278 | O-ring for locking pin Fräsmaster | 1 |
| 80 | 039421 | Spring Flex BS180 | 1 |
| 81 | 039422 | Locking button Flex BS180 | 1 |
| 82 | 015190 | Needle bearing HK 1512 Motor Duro 2.0 | 1 |
| 83 | 015217 | Distance ring Flex BS180 SEE015219 | 1 |
| 84 | 015219 | Distance ring 0,2 mm | 1 |
| 84 | 016944 | Distance ring 0,3 mm Motor Duro 2.0 | 1 |
| 85 | 041282 | Gear shaft cpl. Flex BS 180 (SMR2106) | 1 |
| 86 | 048329 | Protectiv switch f.motor230A 10A Schuko | 1 |
| 86 | 048357 | Protectiv switch f.motor230A 10A CH | 1 |
| 86 | 019170 | Plug 3-pol.230V SK1 UK | 1 |

3 Circuit Diagram

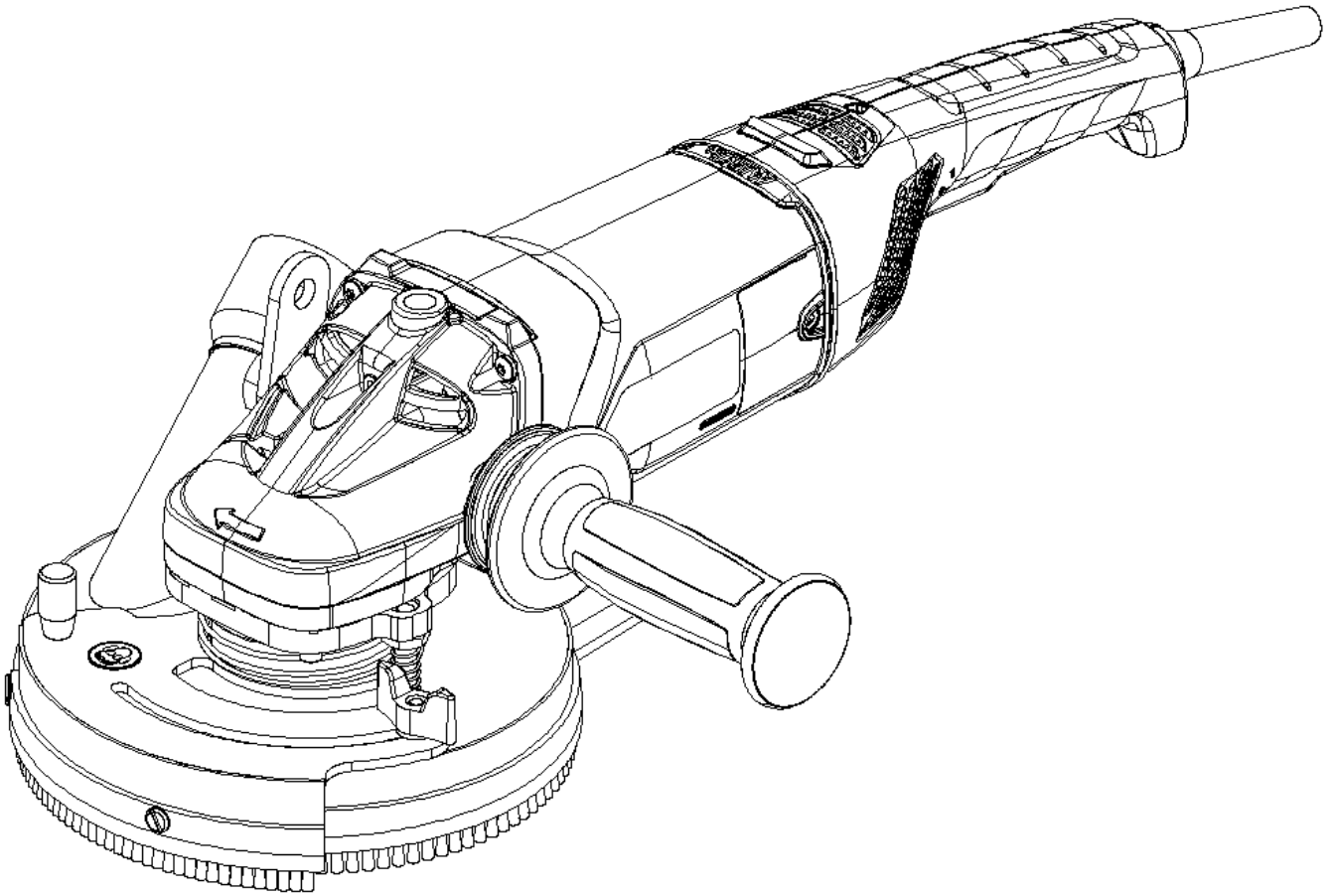


3 Circuit Diagram

5 Accessories

| Item no. | Article no. | Description |
|----------|-------------|--|
| 1 | 015315 | Hearing protectors |
| 2 | 015316 | Protective goggles |
| 3 | 014961 | twin hole spanner DIN3116-SW35-5.5mm |
| 4 | 015931 | Mounting kit |
| 5 | 075407 | Dia-Grinding disc Ø180mm ES K20 black |
| 6 | 075406 | Dia-Grinding disc Ø180mm BT K20 gold |
| 7 | 075408 | Dia-Grinding disc Ø180mm PCDsplit silver |
| 8 | 075409 | Dia-Grinding disc Ø180mm PCD silver |
| 9 | 015932 | Dia-Grinding disc, single row BS 180 |
| 10 | 015933 | Dia-Grinding disc, double row SEE 163291 |
| 11 | 015953 | Dia-Grinding disc RAPTOR |
| 12 | 015934 | Hard metal disc, Ø 180 mm, grit 16 |
| 13 | 015935 | Hard metal disc, Ø 180 mm, grit 24 |
| 14 | 020938 | Carrying case Duro Meta |
| 15 | 019275 | Insert ISL f.Duro bag |

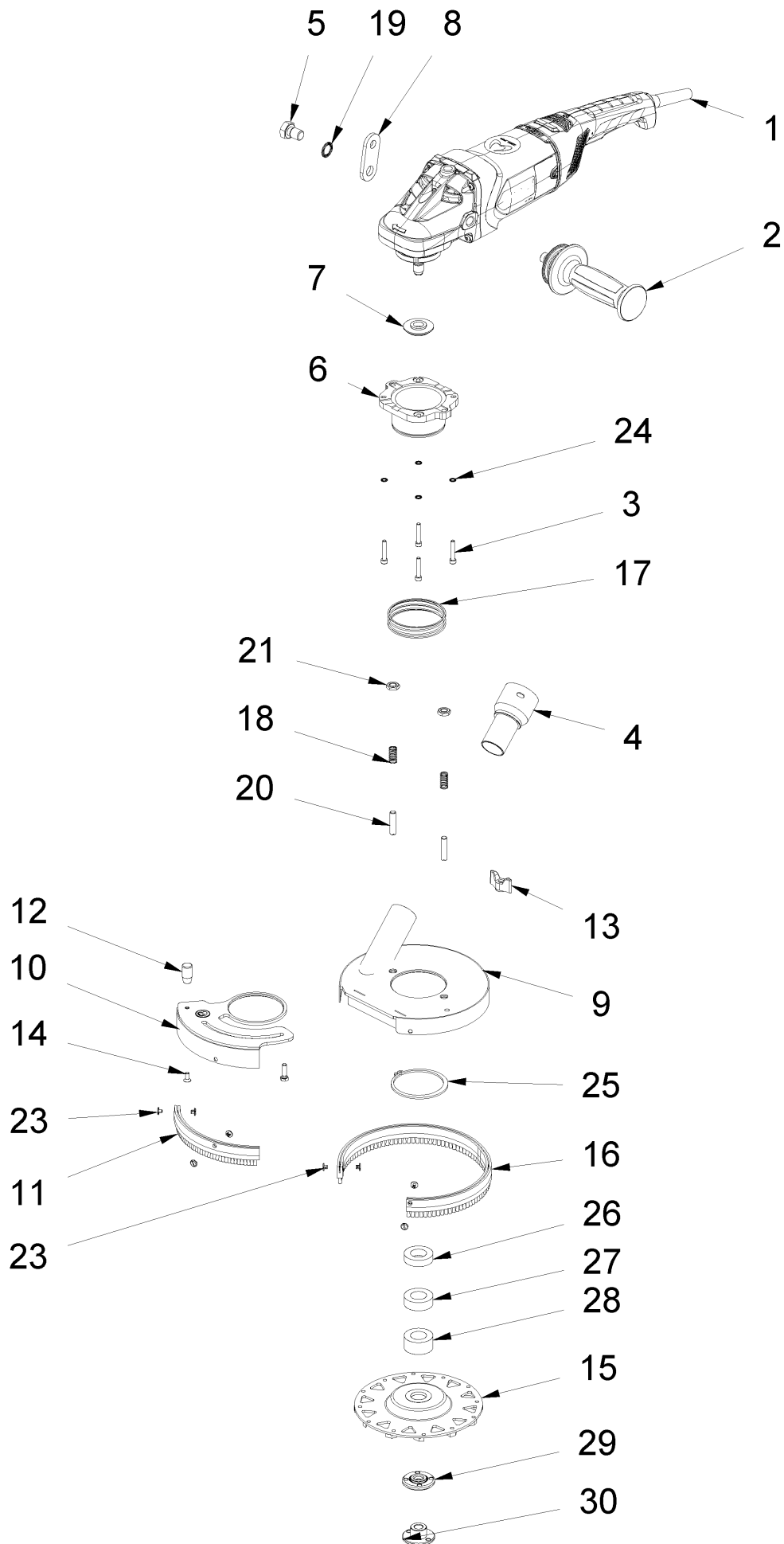
8 BS180 (01441/2017 - heute)



8 BS180 (01441/2017 - heute)

| Item no. | Article no. | Description |
|----------|--------------|-----------------|
| 1 | 08_01_015930 | Machine |
| 3 | 01_03_015930 | Circuit Diagram |
| 5 | 07_05_015930 | Accessories |

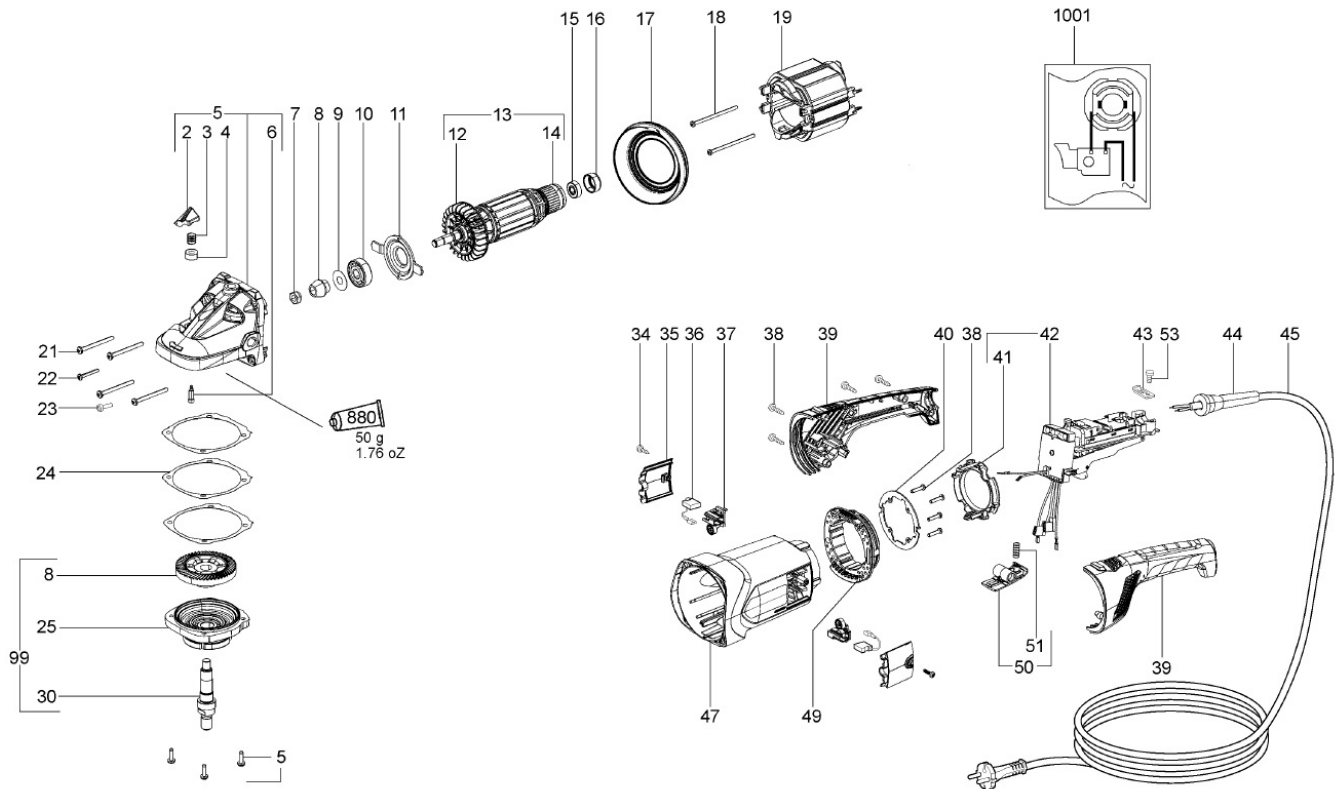
1 Machine



1 Machine

| Item no. | Article no. | Description | Quantity |
|----------|-------------|------------------------------------|----------|
| 1 | 081441 | Motor WE22 230V 50-60Hz | 1 |
| 2 | 082537 | Anti-vibration handle, M 14 BS 180 | 1 |
| 3 | 018278 | Cylinder head screw M5x30 DIN 912 | 4 |
| 4 | 066218 | Sleeve dust pipe Gecko/Dust | 1 |
| 5 | 014781 | Hexagon head screw M14x 20 DIN 933 | 1 |
| 6 | 082652 | Flange for cover BS 180 | 1 |
| 7 | 070329 | Driver disc BS180/EF135 | 1 |
| 8 | 082613 | Flap M14 BS180 galvanised | 1 |
| 9 | 082680 | SG Haube exten-trisch BS180 | 1 |
| 10 | 082677 | SG Schiebeklappe BS 180 | 1 |
| 11 | 082655 | Brush short BS 180 | 1 |
| 12 | 053426 | Cylindr.knob Cobra 09 | 1 |
| 13 | 047796 | Wing nut M6 plastic | 1 |
| 14 | 017747 | Countersunk screw M5x12 DIN 7991 | 1 |
| 15 | 015953 | Dia-Grinding disc RAPTOR | 1 |
| 16 | 082656 | Brush long BS 180 | 1 |
| 17 | 016938 | Central spring | 1 |
| 18 | 017557 | Pressure spring D151B / 11x22x1 | 2 |
| 19 | 014863 | Schnorr Washer M14 | 1 |
| 20 | 041386 | Shaft screw M8x35 DIN 427 | 2 |
| 21 | 017676 | Hexagon nut M8 DIN 936 | 2 |
| 23 | 082549 | Snip&Snap Ral 9005 black | 8 |
| 24 | 014858 | Schnorr washer M5 | 4 |
| 25 | 017645 | Safety washer A72 DIN 471 | 1 |
| 26 | 080827 | Spacer 10 mm EF 135 | 1 |
| 27 | 038632 | Distance ring 13,0 mm | 1 |
| 28 | 017951 | Distance ring 19,0 mm | 1 |
| 29 | 082245 | Flange nut M14 WE22 SEE 159341 | 1 |
| 30 | 017424 | Two-hole clamping nut | 1 |

1 Motor WE22 230V 50-60Hz



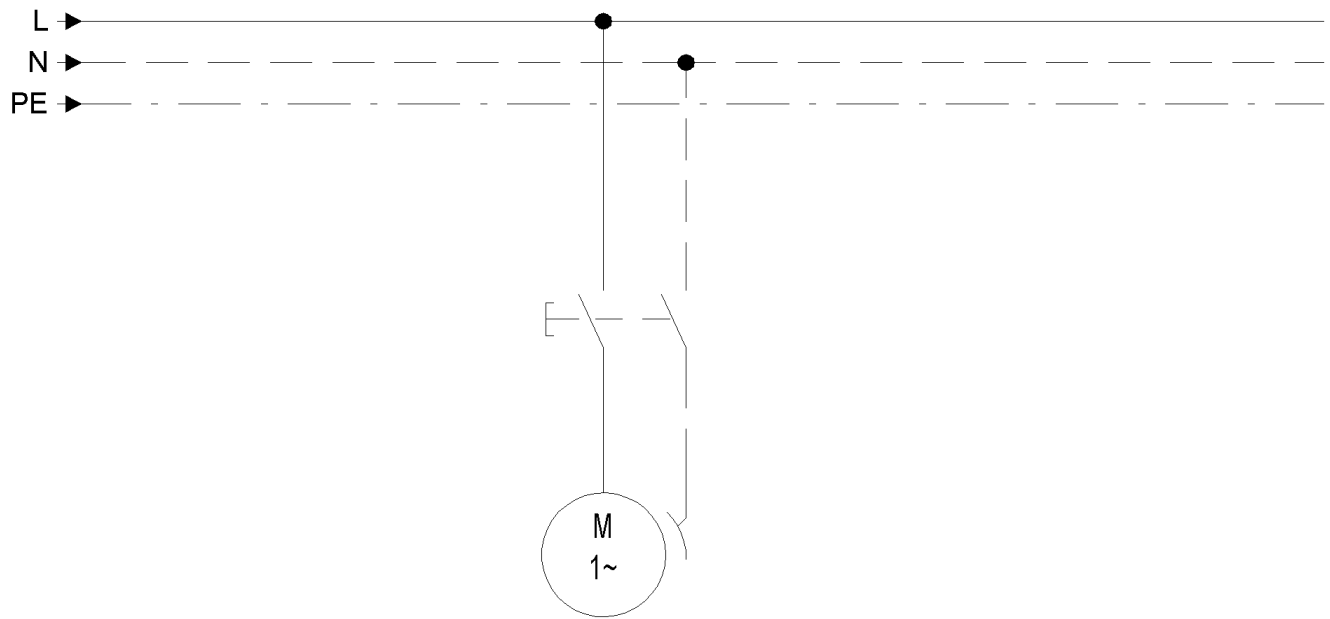
1 Motor WE22 230V 50-60Hz

| Item no. | Article no. | Description | Quantity |
|----------|-------------|---|----------|
| 2 | 081852 | Push button black Motor-WE22 | 1 |
| 3 | 081854 | Compression spring Motor WE22 | 1 |
| 4 | 081855 | Guide bush Motor WE22 | 1 |
| 5 | 081856 | Gearbox housing cpl. motor-WE22 | 1 |
| 6 | 081858 | Pressure bolt Motor-WE22 | 1 |
| 7 | 081860 | Hexagon nut with motor shoulder WE22 | 1 |
| 8 | 081861 | Bevel gear and pinion motor WE22 | 1 |
| 9 | 081863 | Washer 11,1x28x0,3 Motor WE22 | 1 |
| 10 | 081864 | Deep groove ball bearing 12X37X12 Motor | 1 |
| 11 | 081865 | Fixed bearing cover Motor-WE22 | 1 |
| 12 | 081866 | Fan with dust protection Motor WE22 | 1 |
| 13 | 081867 | Armature complete 230V Motor-WE22 | 1 |
| 14 | 081868 | Centrifugal disc Motor WE22 | 1 |
| 15 | 081869 | Deep groove ball bearing Motor WE22 | 1 |
| 16 | 081870 | Rubber bearing Motor WE22 | 1 |
| 17 | 081871 | Air guide disc Motor WE22 | 1 |
| 18 | 081873 | Panhead screw motor WE22 | 2 |
| 19 | 081874 | Field package with winding Motor-WE22 | 1 |
| 21 | 081875 | Panhead screw front Housing WE22 | 4 |
| 22 | 081876 | Oval head screw blue microencapsulated | 1 |
| 23 | 081877 | Lins.shr. blue short microencapsulated | 1 |
| 24 | 081878 | Seal Motor WE22 | 2 |
| 25 | 081879 | Gear flange complete Motor-WE22 | 1 |
| 30 | 081880 | Grinding spindle Motor WE22 | 1 |
| 34 | 081883 | Screw for carbon cover | 2 |
| 35 | 081884 | Carbon brush cover Motor-WE22 | 2 |
| 36 | 081885 | Carbon brush set 230V Motor WE22 | 1 |
| 37 | 081886 | Carbon guide Motor-WE22 | 2 |
| 38 | 081889 | Screw for Handle Motor WE22 | 8 |
| 39 | 081890 | Machine housing handle black WE22 | 1 |
| 40 | 081892 | Locking plate Motor WE22 | 1 |
| 41 | 081893 | Edge protection Motor-WE22 | 1 |
| 42 | 081895 | Electronic switch set 230V Motor-WE22 | 1 |
| 43 | 081897 | Cable clamp Motor WE22 | 1 |

1 Motor WE22 230V 50-60Hz

| Item no. | Article no. | Description | Quantity |
|----------|-------------|--------------------------------------|----------|
| 44 | 081899 | Anti-kink grommet Motor-WE22 | 1 |
| 45 | 081900 | Cable with CEE-Plug Motor WE22 | 1 |
| 47 | 081901 | Machine housing black WE22 | 1 |
| 49 | 081902 | Attenuator Motor WE22 | 1 |
| 50 | 081904 | Stop lever black Motor WE22 | 1 |
| 51 | 081905 | Pressure spring for lever Motor-WE22 | 1 |
| 53 | 081906 | Screw for cable clamp Motor WE22 | 1 |
| 99 | 081907 | Gear flange, spindle, ring gear cpl. | 1 |

3 Circuit Diagram



3 Circuit Diagram

5 Accessories

| Item no. | Article no. | Description |
|----------|-------------|--|
| 1 | 015315 | Hearing protectors |
| 2 | 015316 | Protective goggles |
| 3 | 014961 | twin hole spanner DIN3116-SW35-5.5mm |
| 4 | 015931 | Mounting kit |
| 5 | 075407 | Dia-Grinding disc Ø180mm ES K20 black |
| 6 | 075406 | Dia-Grinding disc Ø180mm BT K20 gold |
| 7 | 075408 | Dia-Grinding disc Ø180mm PCDsplit silver |
| 8 | 075409 | Dia-Grinding disc Ø180mm PCD silver |
| 9 | 015932 | Dia-Grinding disc, single row BS 180 |
| 10 | 015933 | Dia-Grinding disc, double row SEE 163291 |
| 11 | 015953 | Dia-Grinding disc RAPTOR |
| 12 | 015934 | Hard metal disc, Ø 180 mm, grit 16 |
| 13 | 015935 | Hard metal disc, Ø 180 mm, grit 24 |
| 14 | 020938 | Carrying case Duro Meta |
| 15 | 019275 | Insert ISL f.Duro bag |