



spare parts list

Cleanfox 230V EU



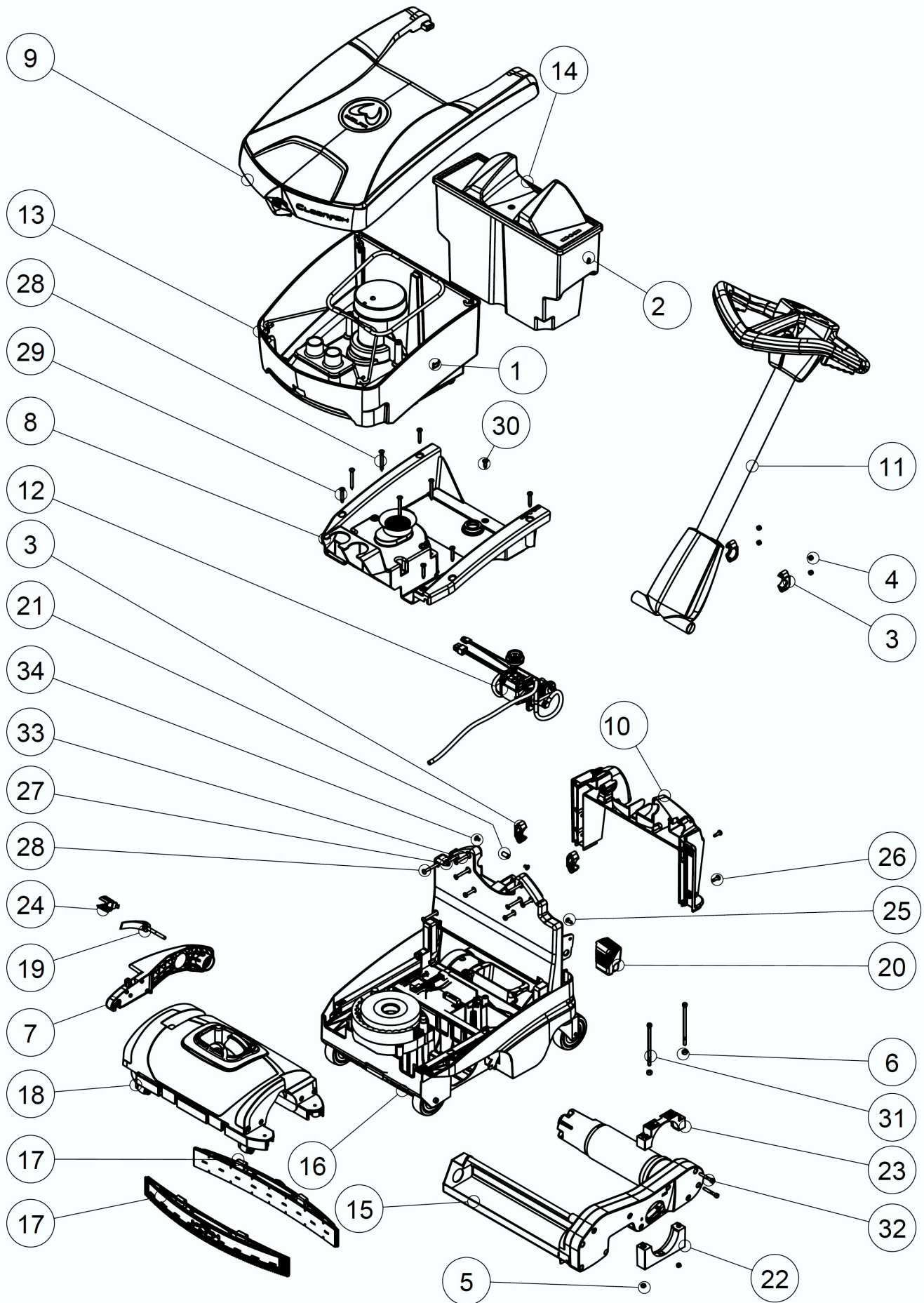
Table of contents

1 Cleanfox 7,5l (Cleanfox 7,5l)	3
1 Assembly	4
2 Chassis	6
3 Battery	8
4 Pump	10
5 Engine support	12
6 Brush assembly	14
7 Handle Cleanfox	16
8 Cover machine	18
9 Back cover	20
10 Head part	22
11 Squeegee	24
12 Rubber Squeegee	26
13 Cleaning agent container	28
14	30
15 Container cover	32
16 Standard Accessories	34
17 Accessories	36

1 Cleanfox 7,5l (Cleanfox 7,5l)

Item no.	Article no.	Description
1	01_01_083124	Assembly
2	01_02_083124	Chassis
3	01_03_083124	Battery
4	01_04_083124	Pump
5	01_05_083124	Engine support
6	01_06_083124	Brush assembly
7	01_07_083124	Handle Cleanfox
8	01_08_083124	Cover machine
9	01_09_083124	Back cover
10	01_10_083124	Head part
11	01_11_083124	Squeegee
12	01_12_083124	Rubber Squeegee
13	01_13_083124	Cleaning agent container
14	01_14_083124	
15	01_15_083124	Container cover
16	01_16_083124	Standard Accessories
17	01_17_083124	Accessories

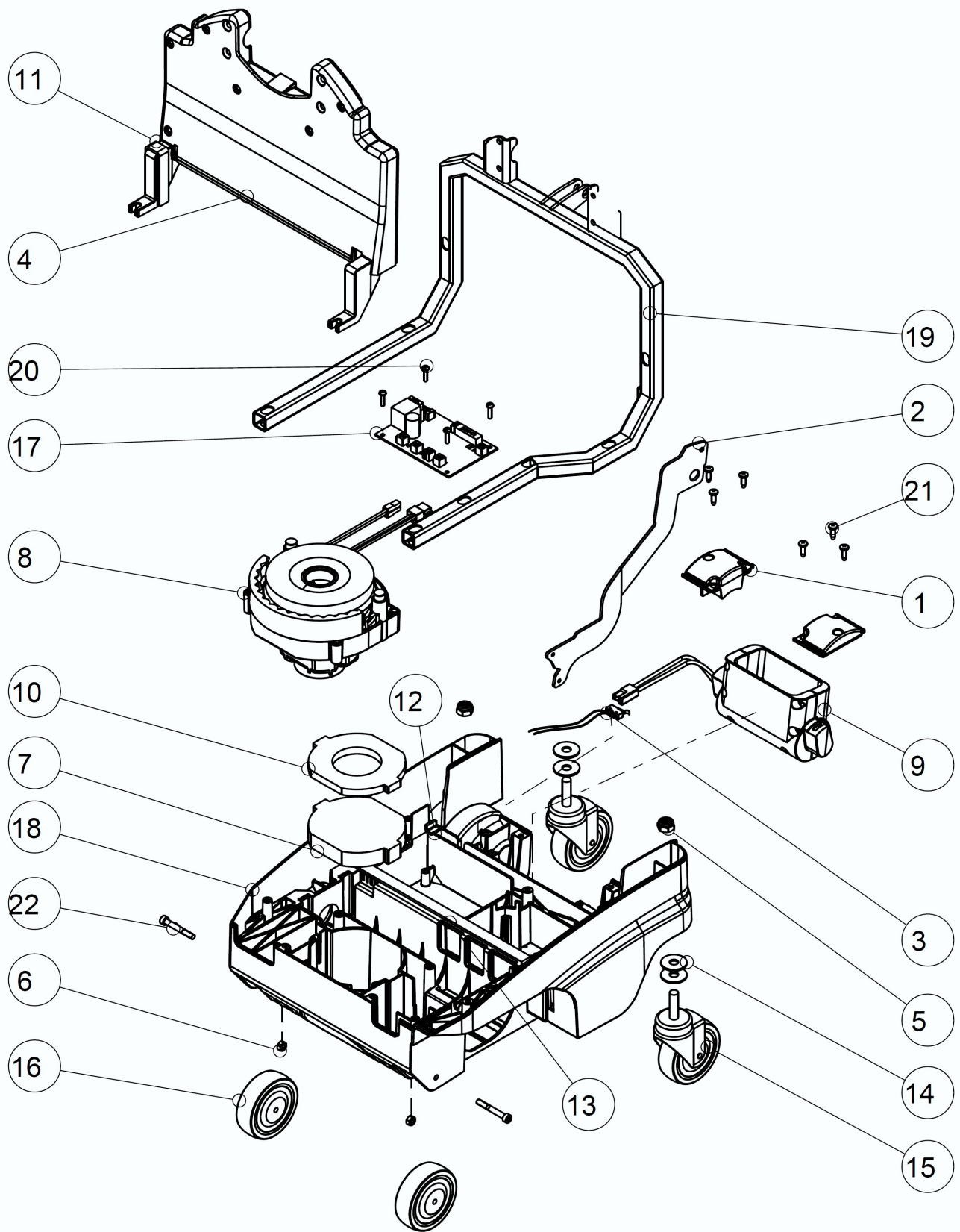
1 Assembly



1 Assembly

Item no.	Article no.	Description	Quantity
1		Sticker collecting container	2
2		Sticker container for cleaner	2
3		Holding block Grip shell joint	4
4		Stop nut M5 A2 DIN982	4
5		Nut M5 A2 UNI5588	2
6		Spacer ring Ø5.3X10 L=5	2
7		Additional cantilever arm	1
8	012039	Maschinenabdeckung Cleanfox 7,5l	1
9	012040	Container lid Cleanfox 7,5l	1
10		Rear cover assembly 7,5l	1
11		Handle assembly with grip shell	1
12	012042	Pump Cleanfox 7,5l	1
13	012043	Collecting container Cleanfox 7,5l	1
14	087411	Fresh water tank Cleanfox 7,5	1
15		Brush assembly	1
16		Frame assembly 7.5l black	1
17	012044	Wiping group complete Cleanfox 7,5l	2
18		Head section assembly complete	1
19	012045	Easy release lever Cleanfox 7,5l	1
20	012046	Foot lever above Cleanfox 7,5l	1
21		Mounting bolt Handle	1
22		Lower bracket Brush motor	1
23		Upper bracket Brush motor	1
24	012047	Locking cap lever Cleanfox 7,5l	1
25		Screw 4,8x16 A2	1
26		Screw 5x16	2
27		Screw 5x32	4
28		Screw 5x50	6
29		Screw 5x32	5
30		Screw TCC 5X16 SP INOX A3	1
31		Screw TCEI M5x101	2
32		Screw TCEI M5X35 DIN913	2
33		Screw TSPEI M5X45	4
34		Screw TSPEI M5X8	2

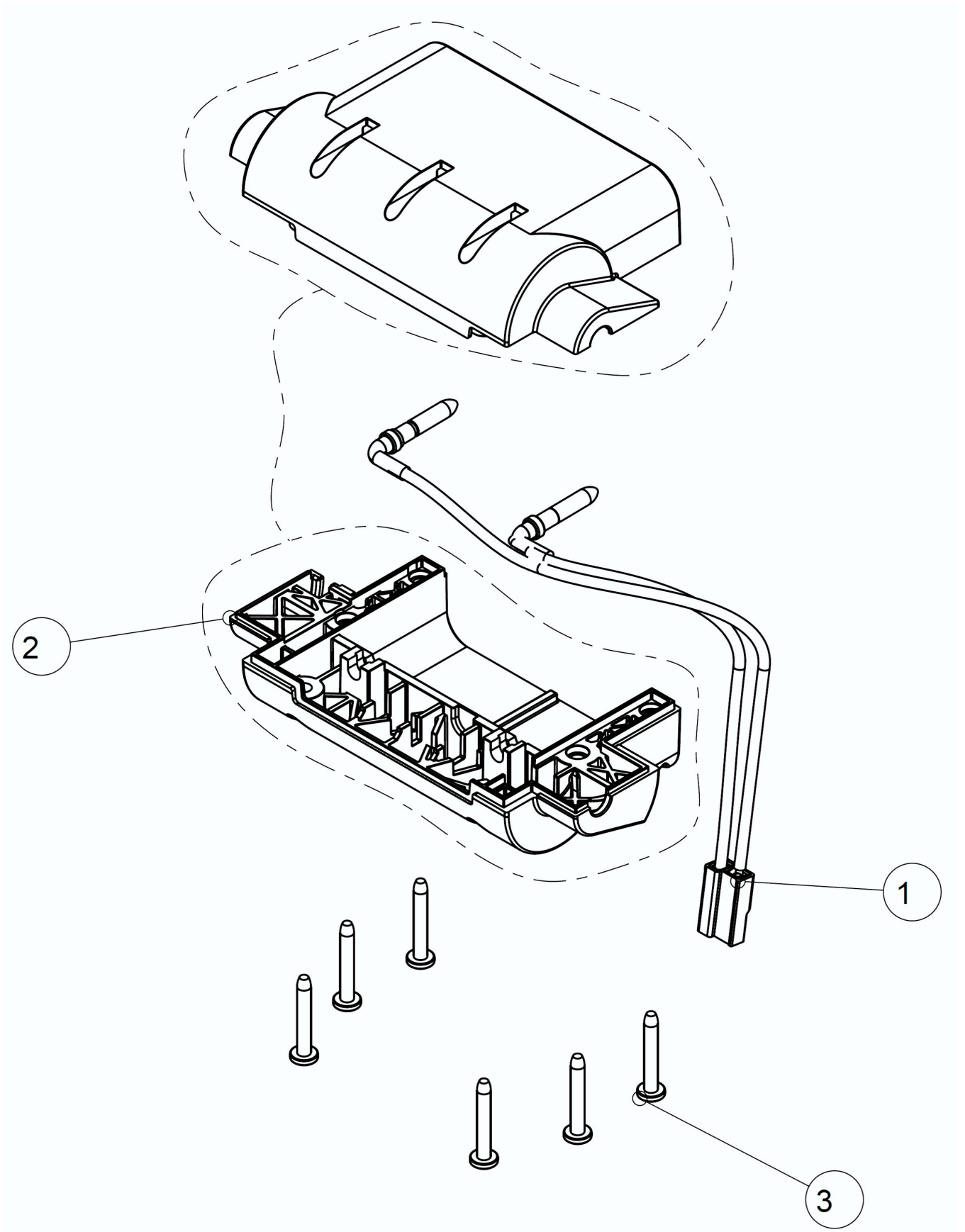
2 Chassis



2 Chassis

Item no.	Article no.	Description	Quantity
1		Fixed battery holder	2
2		Foot lever	1
3		Cable Detection Accumulator	1
4		Front cover tubular frame Fr. 7.5	1
5		Stop nut M10 A2 DIN 982	2
6		Nut M6 UNI5588	2
7		Filter Protection Cooler Motor Extraction	1
8		Assembly Support Motor Extraction	1
9		Assembly Holder Accumulator	1
10	012053	Lower motor seal Cleanfox 7,5l	1
11		Adhesive seal 3X15 L=170	1
12		Adhesive seal 3X15 L=20	1
13		Adhesive seal 3X15 L=270	1
14		Washer 10x30 A2 DIN9021N	4
15	089307	Cleanfox steering wheel Ø80x24	2
16	089308	Cleanfox wheel Ø80x24	2
17	011690	Electronic card from 09/2019 Cleanfox	1
18		Plastic frames	1
19		Tubular frame 7.5l	1
20		Screw 4x18	4
21		Screw TCC 5X16 SP INOX A2	6
22		Screw TCEI M6X45 UNI 5931 A2	2

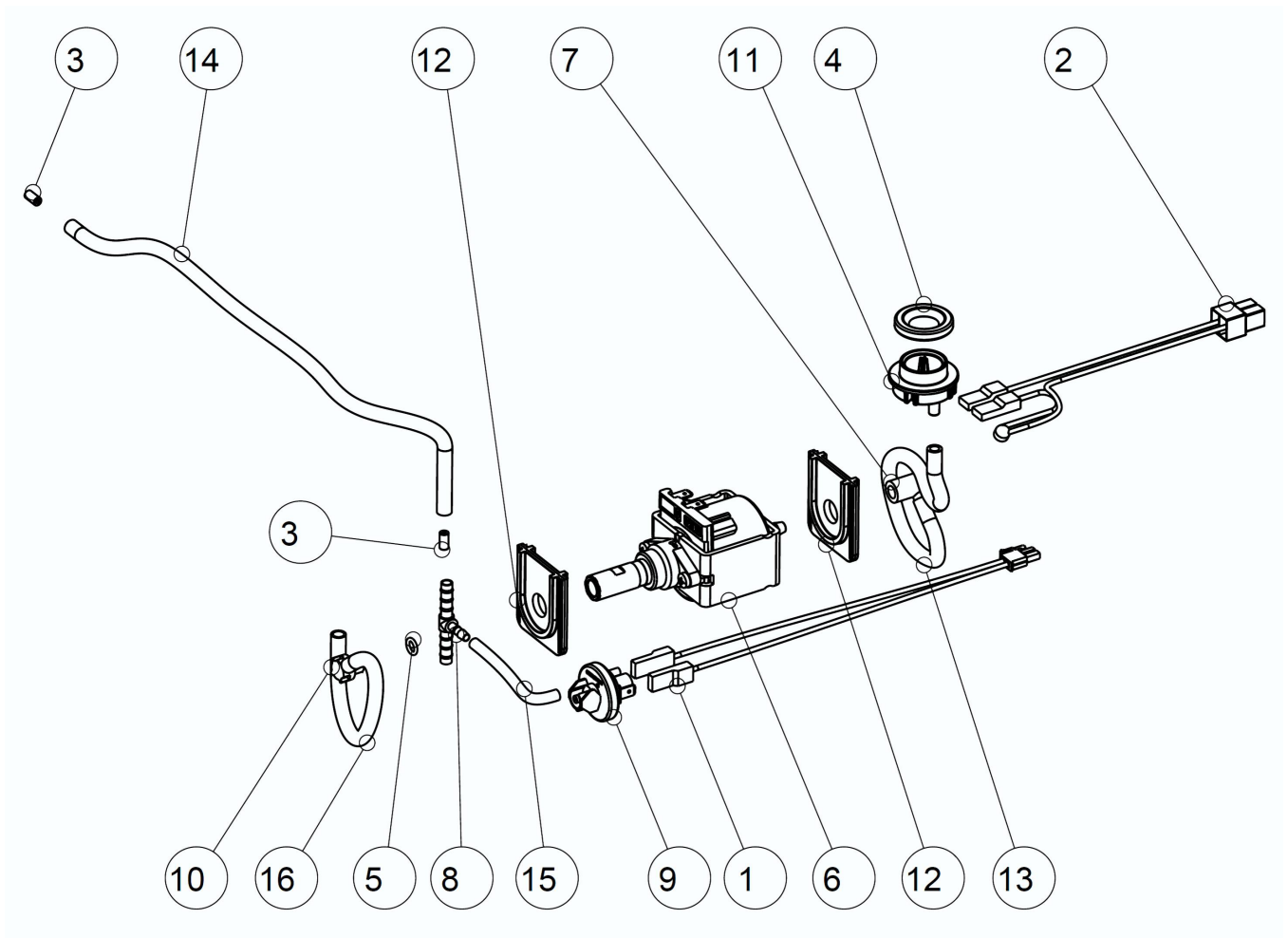
3 Battery



3 Battery

Item no.	Description	Quantity
1	Cable holder accumulator	1
2	Assembly group Holder Accumulator	1
3	Screw 5x32	6

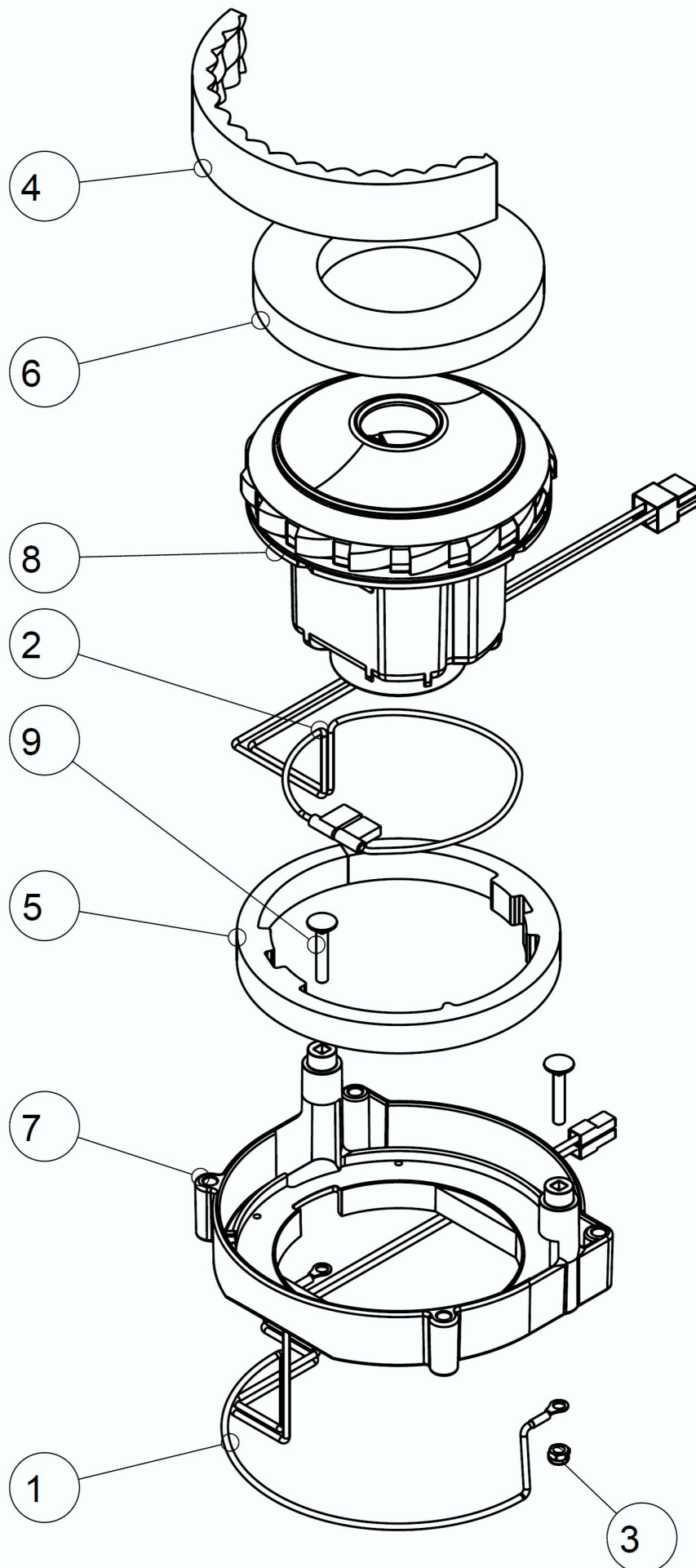
4 Pump



4 Pump

Item no.	Article no.	Description	Quantity
1		Cable pressure switch	1
2		Pump cable	1
3	089319	Nozzle Cleanfox Ø4.8x9.5 hole 1,6mm	2
4	089320	Seal valve connection Cleanfox	1
5	089321	O-Ring Pump Cleanfox	1
6	089322	Pump Cleanfox	1
7	089323	Hose connection 90° Cleanfox	1
8		Hose connection	1
9		Pressure switch	1
10		Connection 90°	1
11		Valve connection	1
12		Pump holder	2
13	089324	Tube 8x4 L=150 Cleanfox	1
14	089326	Tube 8x4 L=380 Cleanfox	1
15	089327	Tube 6x2 L=90 Cleanfox	1
16	089328	Tube 8x4 L=185 Cleanfox	1

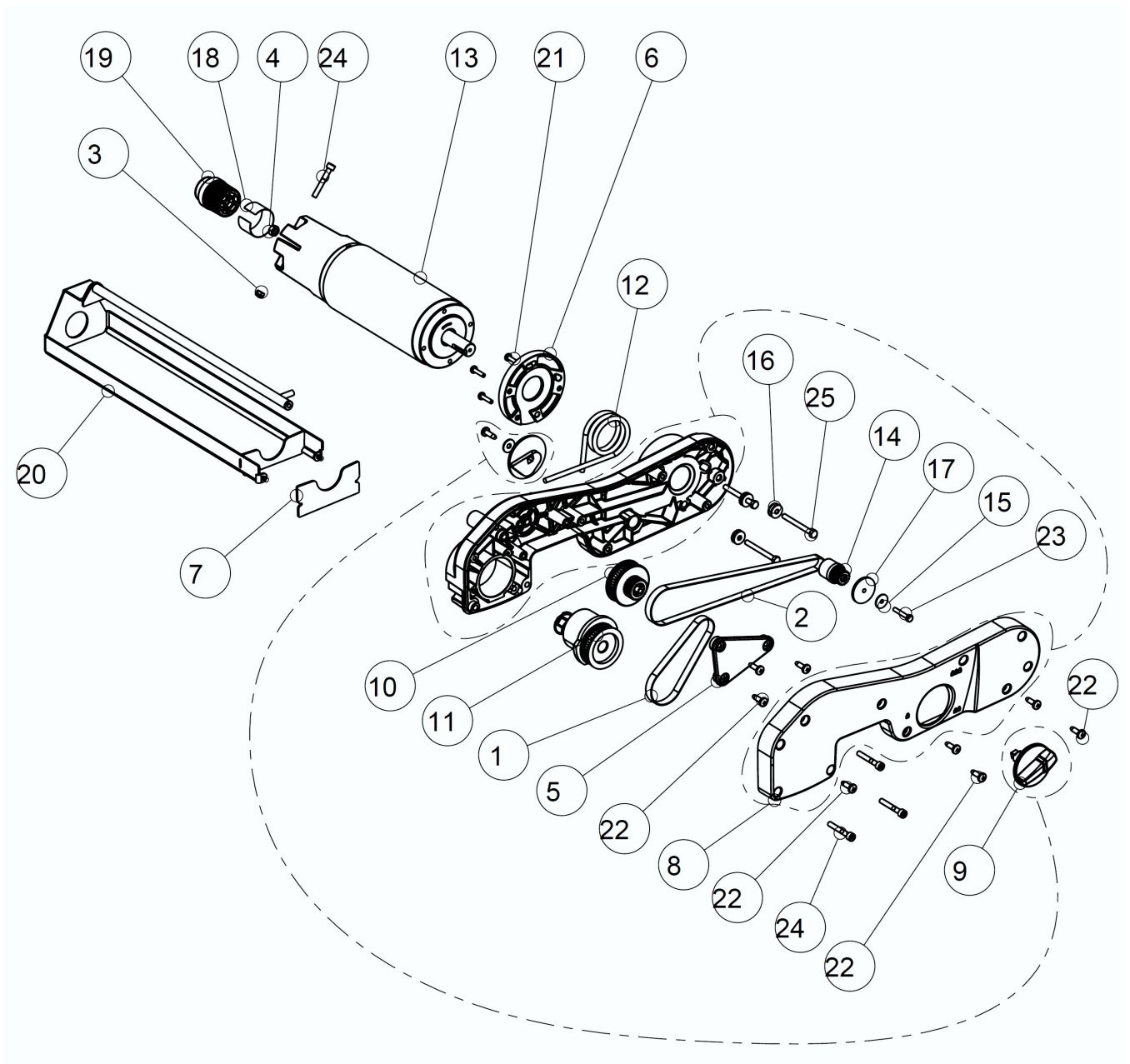
5 Engine support



5 Engine support

Item no.	Article no.	Description	Quantity
1		Probes cable	1
2		Cable Motor Suction	1
3		Stop nut M5 A2 DIN982	2
4		Silencer Engine Suction	1
5		In-between gasket	1
6	089311	Adhesive gasket H=15	1
7		Motor holder Suction	1
8	089313	Radial turbine Cleanfox	1
9		Screw T.T.Q.S.T.M5X30 A2 DIN603	2

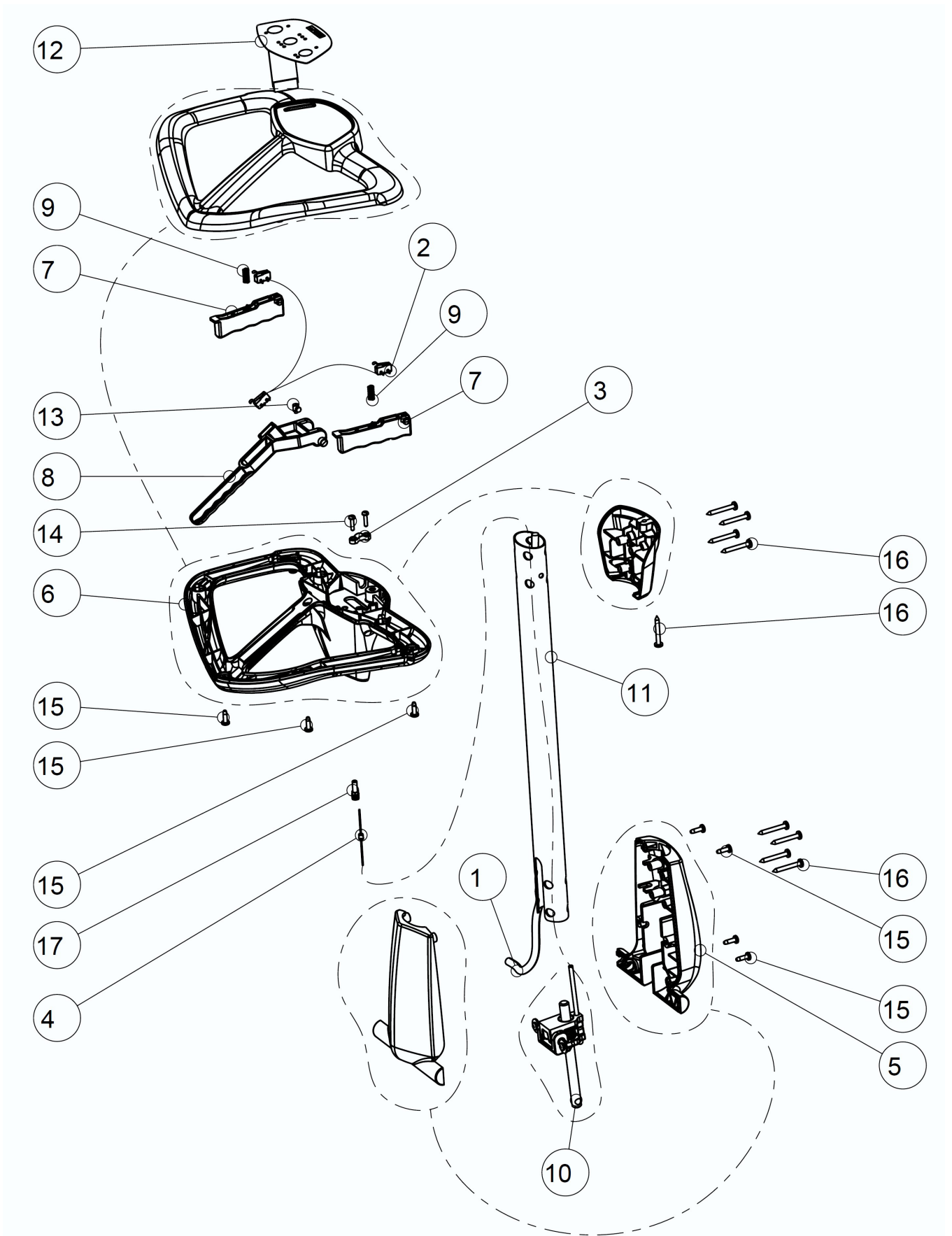
6 Brush assembly



6 Brush assembly

Item no.	Article no.	Description	Quantity
1	088865	Riemen 252 CHD3 9 3M Cleanfox	1
2	088866	Belt 522 RPP3 9 Cleanfox	1
3		Stop nut M5 A2 DIN982	1
4		Nut M6 UNI5588	1
5	088867	Return shaft stop Cleanfox	1
6		Flange brush motor	1
7	089315	Side protection	1
8		Group Actuator housing	1
9		Group Adjusting screw	1
10	088868	Rotary disk Cleanfox	1
11	088869	Brush disc Cleanfox	1
12		Tension spring for brush	1
13	012286	Brush motor 2000W Cleanfox 7,5l	1
14	089316	Pulley Z18 RPP3	1
15		Washer 4x16	1
16		Washer 5,3x15x1.2 A2 DIN9021	6
17		Washer Belt pulley Motor	1
18		Rubber spacer ring Motor extension	1
19		Cylindrical holder	1
20		Brush holder 7.5l / 11l	1
21		Screw 4x18	3
22		Screw 5x16	8
23		Screw M4X25	1
24		Screw TCEI M5X35 DIN912	4
25		Screw TE M5x50 A2 DIN 933	3

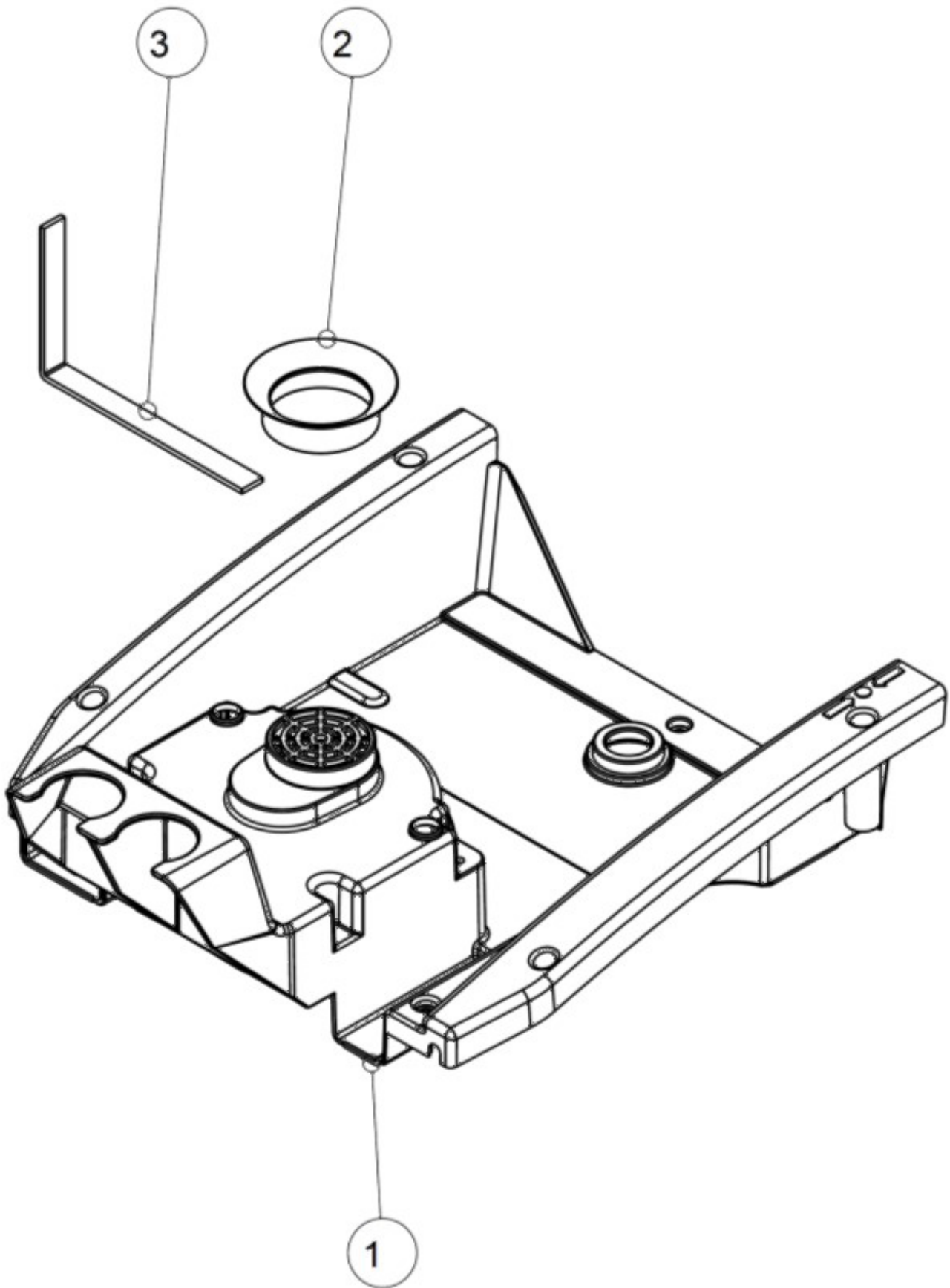
7 Handle Cleanfox



7 Handle Cleanfox

Item no.	Article no.	Description	Quantity
1	012287	Cable handle cup Cleanfox 7,5l	1
2	012288	Cable micro handle cup Cleanfox 7,5l	1
3		Mounting block	1
4	012289	Kabel Entriegelung Griff Cleanfoc 7,5l	1
5		Housing bottom Joint	1
6	169775	Handle shell handle Cleanfox	1
7		Actuating lever Brush	2
8		Release lever Handle shell	1
9		Spring	2
10		Set of locking plates Grip plate	1
11		Oval spar L=535	1
12	169803	Membrane keypad Cleanfox	1
13		Screw end clamp	1
14		Screw 4x18	2
15		Screw 5x16	11
16		Screw 5X40	9
17	012290	Set screw cable Cleanfox 7,5l	1

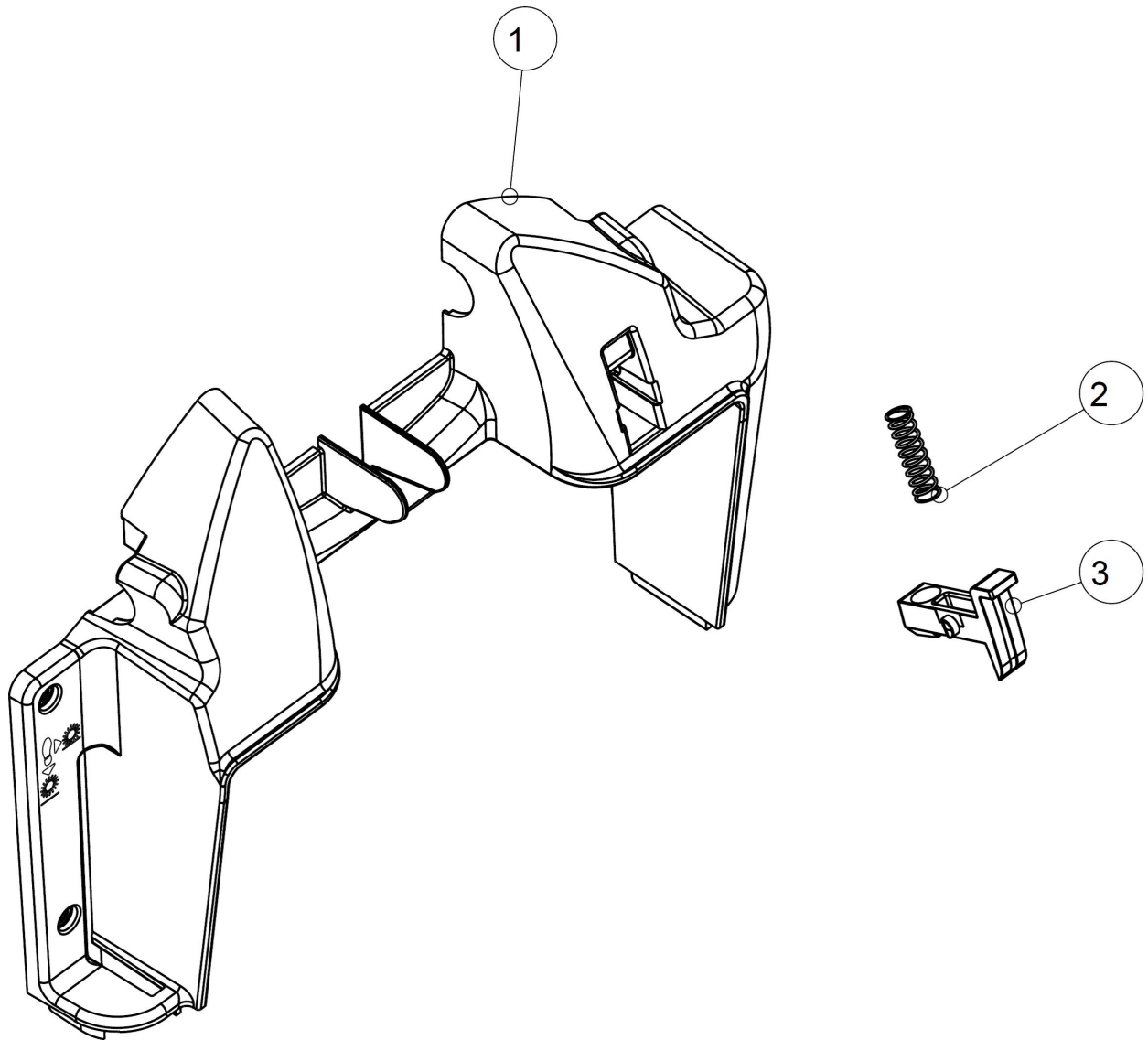
8 Cover machine



8 Cover machine

Item no.	Article no.	Description	Quantity
1	012292	Cover plastic frame Cleanfox 7,5l	1
2	012294	Gasket trumpet shape Cleanfox 7,5l	1
3	012295	Adhesive seal Cleanfox 7,5l	1

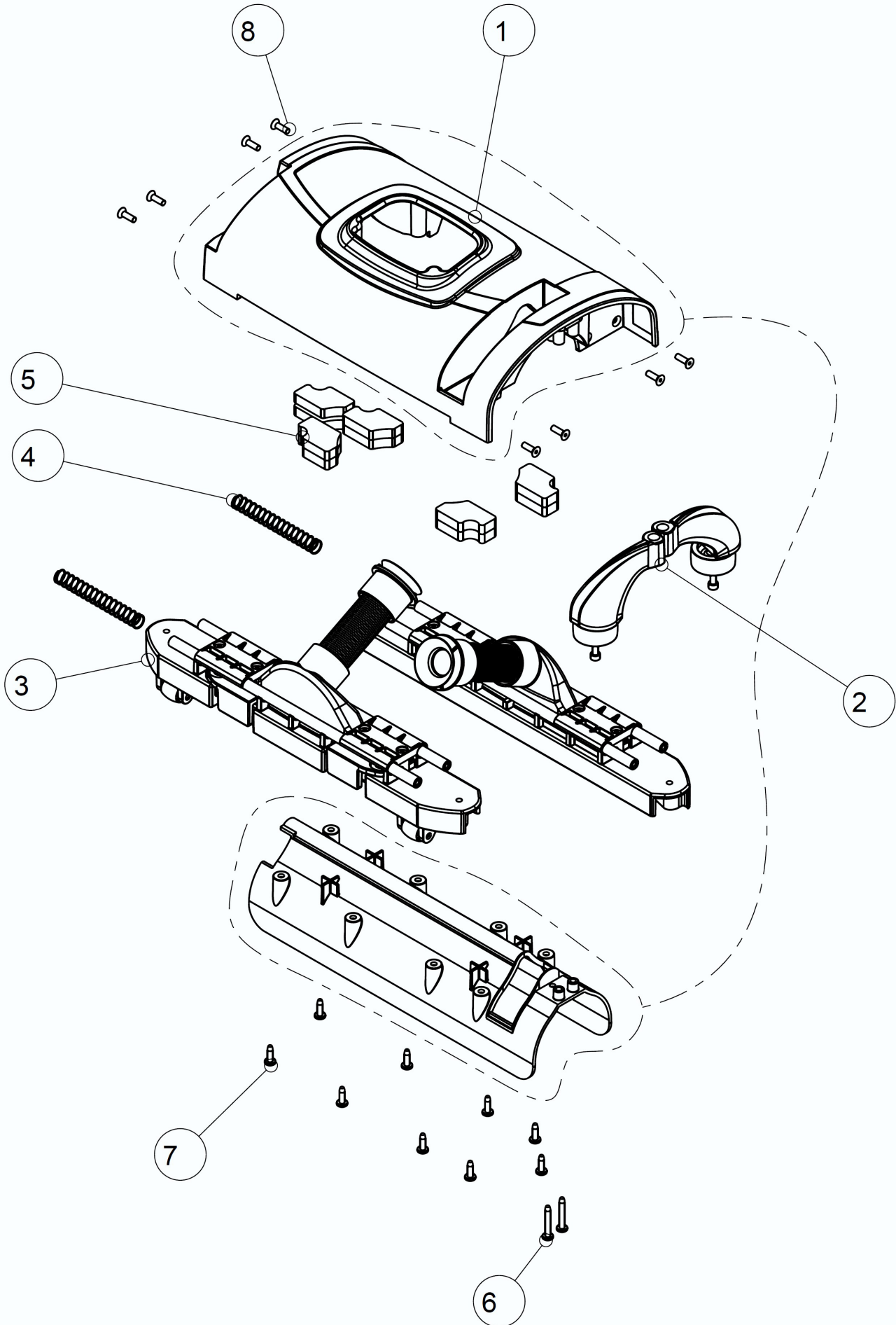
9 Back cover



9 Back cover

Item no.	Description	Quantity
1	Rear cover Tubular frame	1
2	Spring 1x36,5 verzinkt	1
3	Lock button Accumulator	1

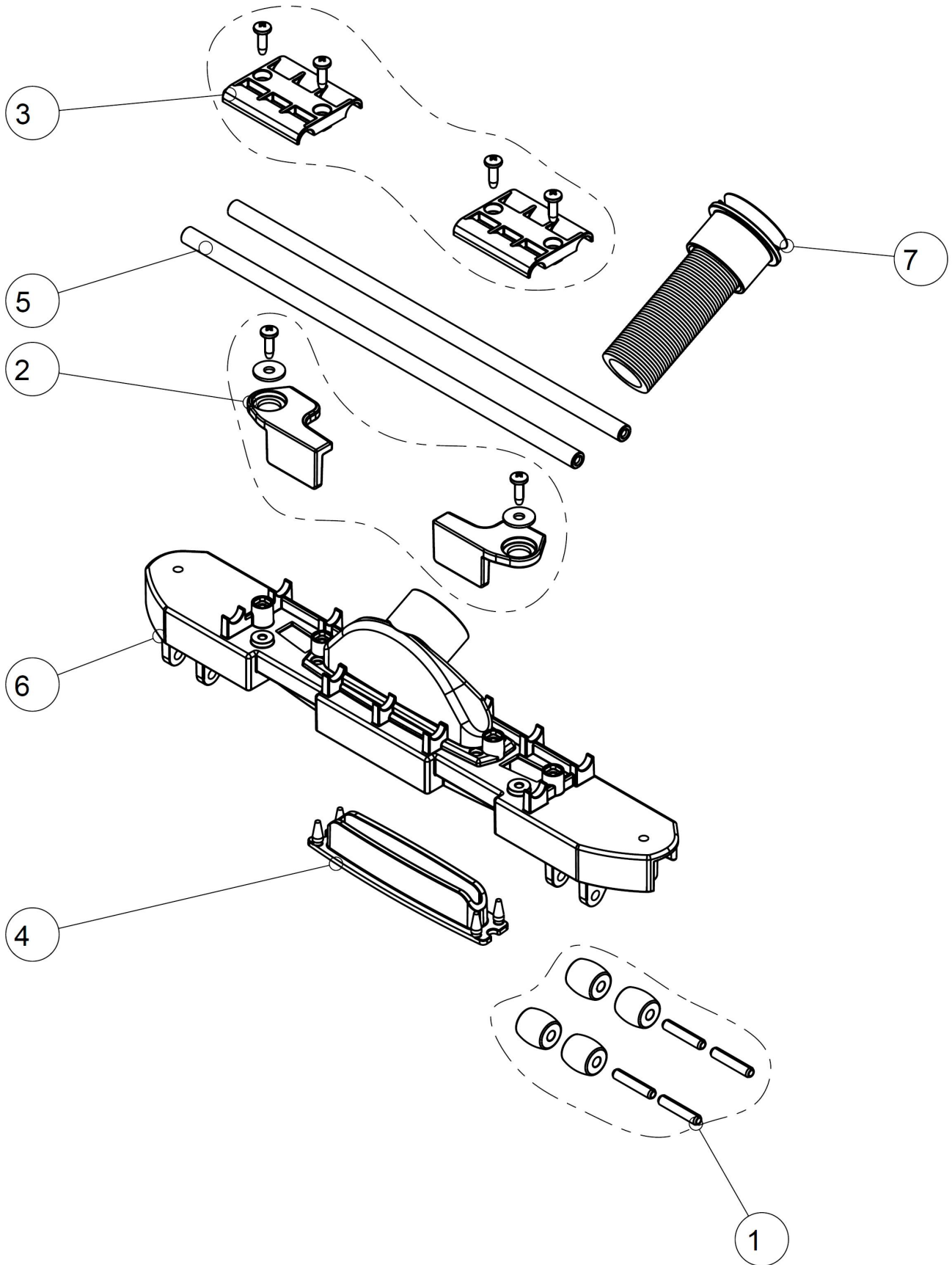
10 Head part



10 Head part

Item no.	Description	Quantity
1	Housing Head section	1
2	Shock absorber head part set	1
3	Assembly group Holder Wiper	2
4	Compression spring	2
5	Weights head part 7.5l	10
6	Screw 5x32	2
7	Screw TCC 5X16 SP INOX A2	9
8	Screw TSP T+ M5X16 DIN7991	8

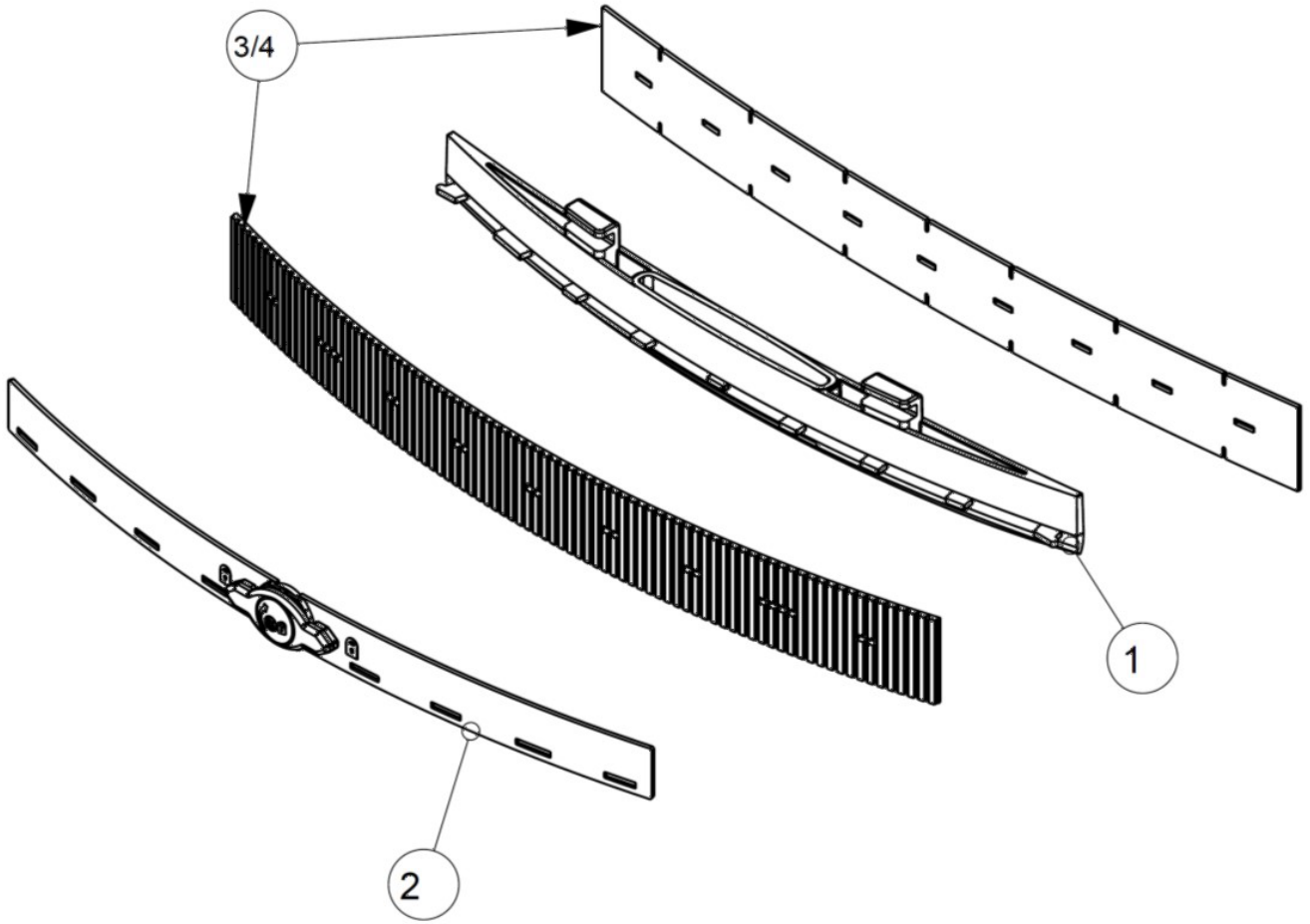
11 Squeegee



11 Squeegee

Item no.	Article no.	Description	Quantity
1	089329	Set 4 Räder Abzieher Cleanfox	1
2		Set locking lever wiper	1
3		Set holder wiper	1
4	089330	Gasket wiper Cleanfox	1
5		Wiper holder guide	2
6		Wiper holder	1
7		Suction tube telescopic	1

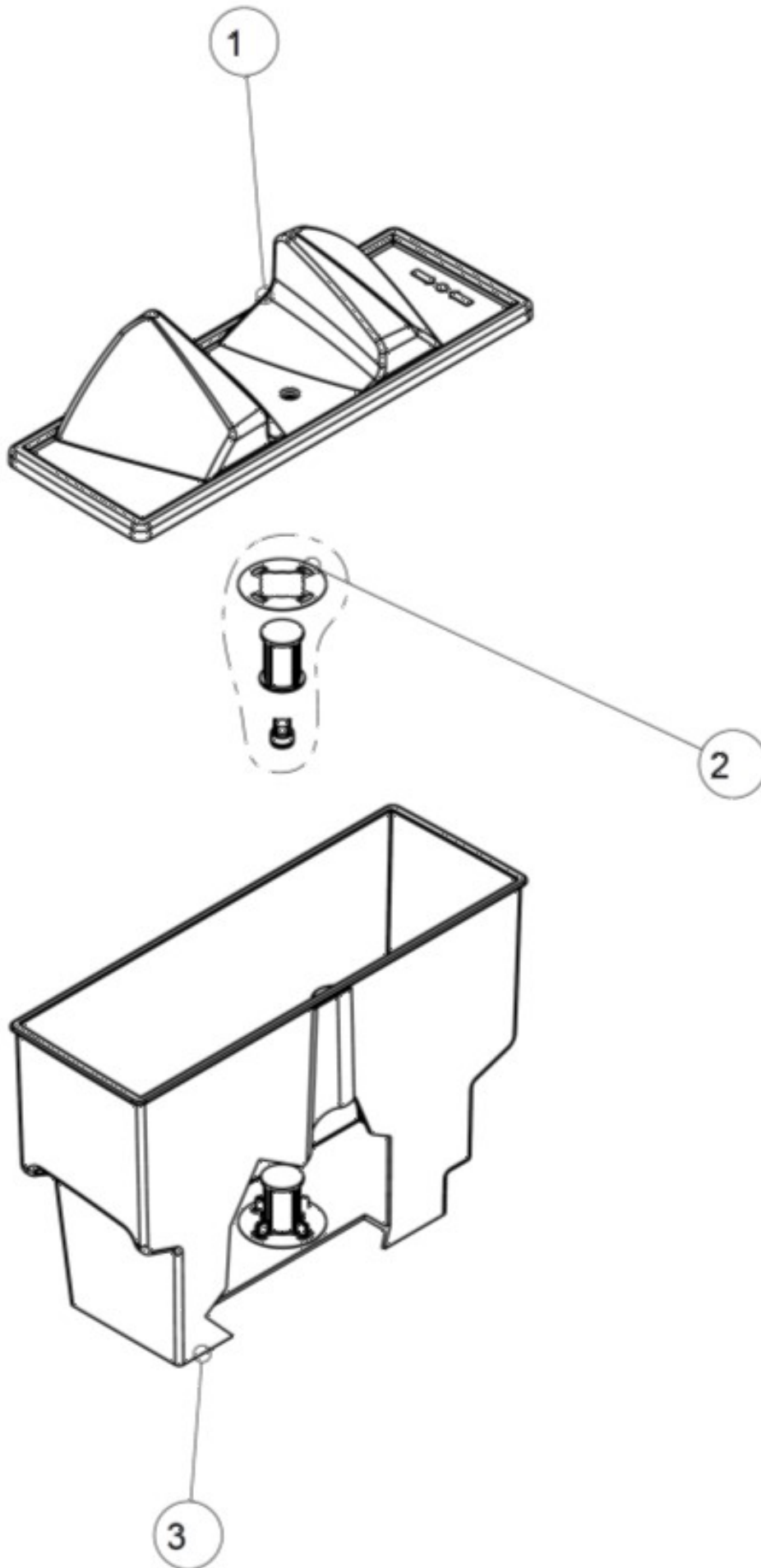
12 Rubber Squeegee



12 Rubber Squeegee

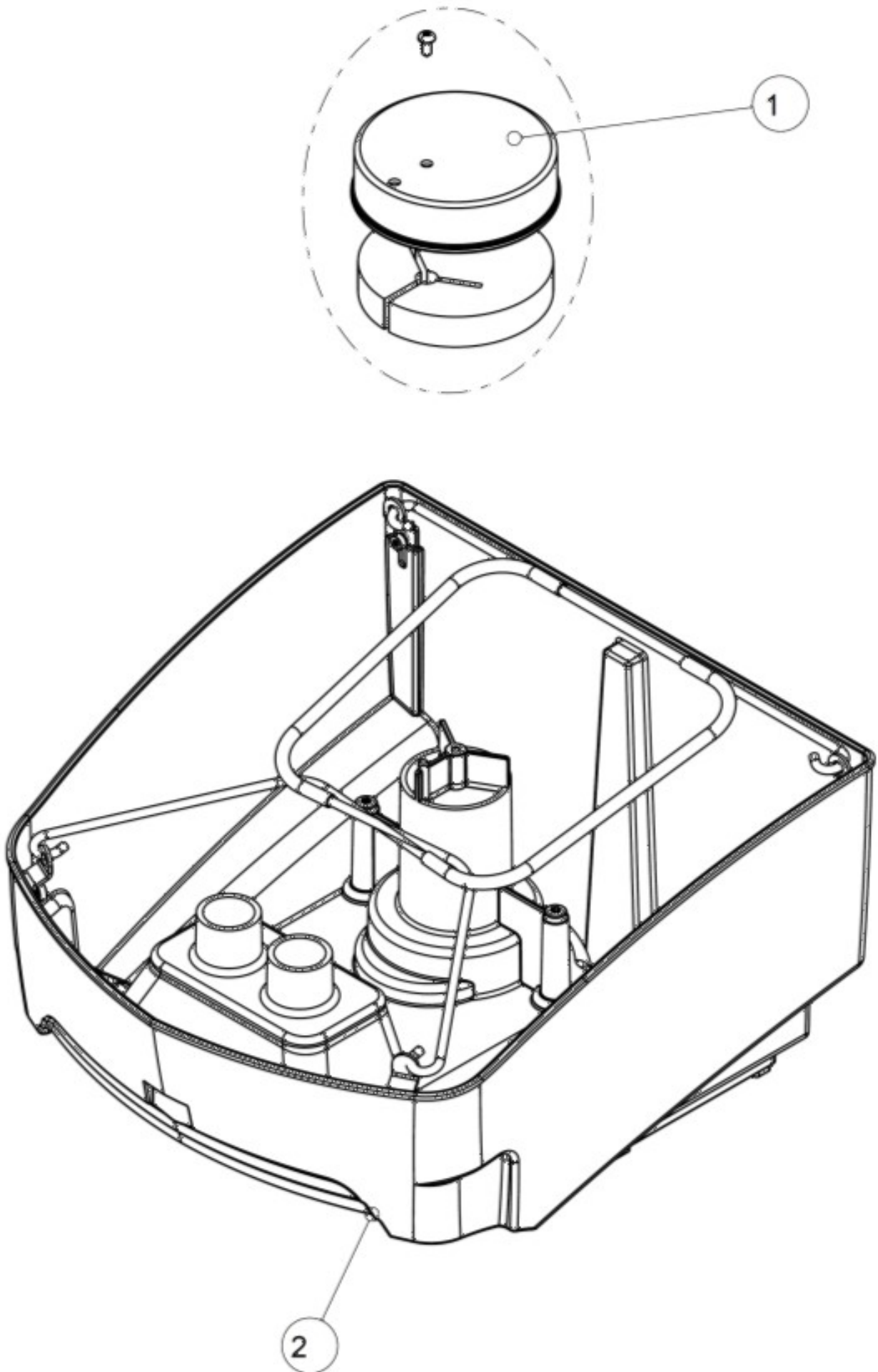
Item no.	Description	Quantity
1	Wiper housing	1
2	Front plate strip	1

13 Cleaning agent container



13 Cleaning agent container

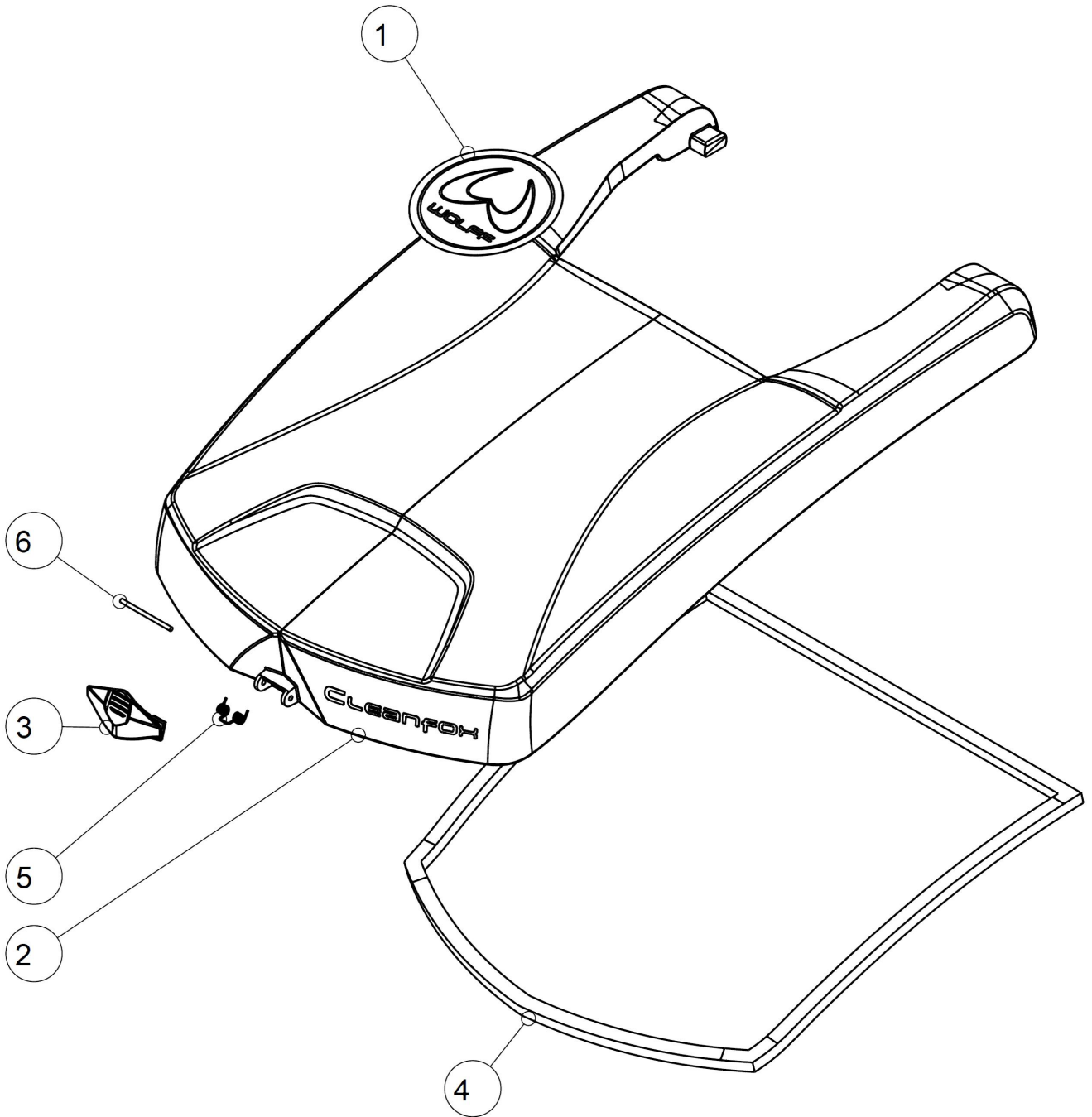
Item no.	Article no.	Description	Quantity
1	084301	Container cover Cleanfox	1
2	089332	Filter Cleaning Container Cleanfox	1
3		Container cleaning agent 7.5l	1



14

Item no.	Description	Quantity
1	Intake filters	1
2	Collecting container 7.5l	1

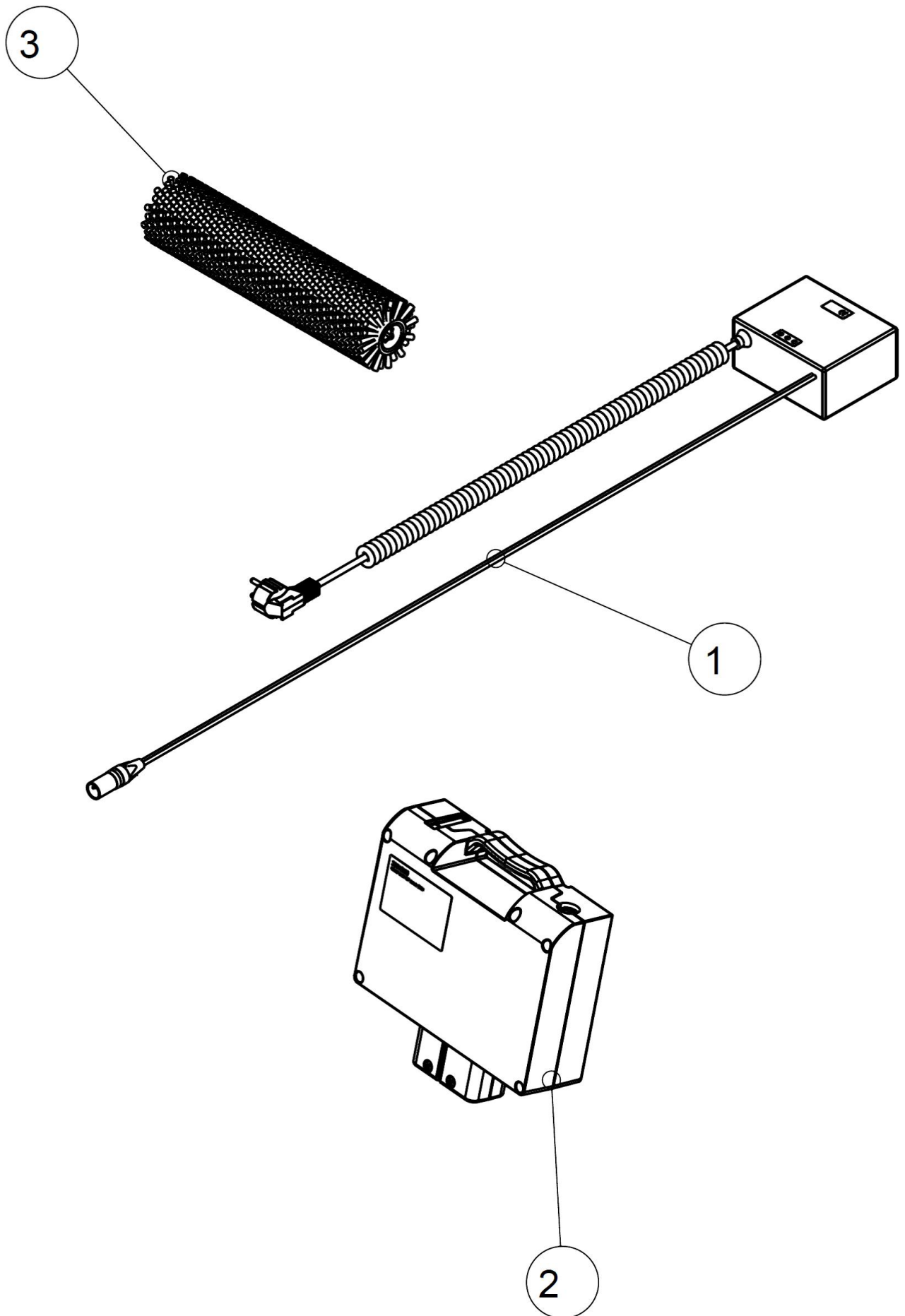
15 Container cover



15 Container cover

Item no.	Article no.	Description	Quantity
1		Label WOLFF Ø110	1
2		Lettering Cleanfox	1
3	164302	Hook closure container cover Cleanfox	1
4	089333	Container cover gasket Cleanfox	1
5	164303	Spring container cover Cleanfox	1
6		Bolt Ø3x50	1

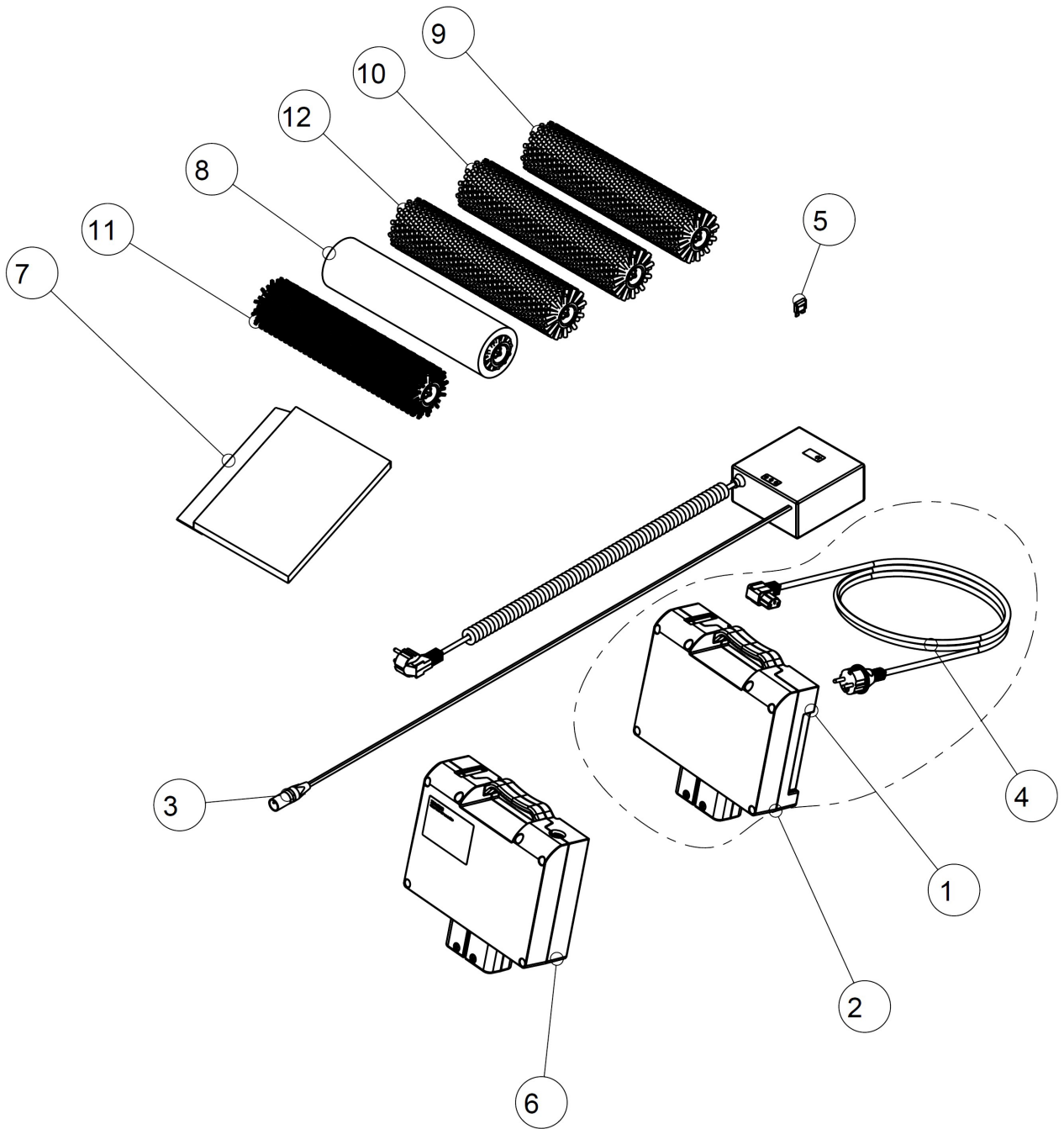
16 Standard Accessories



16 Standard Accessories

Item no.	Article no.	Description	Quantity
1	083496	Standard battery Charger 24V 5 A Cleanf.	1
2		Power supply 24Vdc 280Wh	1
3	083145	Cylindrical brush medium(blue)Cleanfox	1

17 Accessories



17 Accessories

Item no.	Article no.	Description	Quantity
1		Wolff power supply 24,5vdc 18,5A	1
2		Power supply 24,5vdc 18,5A with cable	1
3		Battery charger LiFePO4 24V 10A	1
4		Cabel 3x1 grau MT.15 EXP SG.	1
5		Fuse 10A	1
6		Power supply 24Vdc 560Wh	1
7		Microfiber roller insert	1
8	084569	microfiber brush green Cleanfox	1
9	083146	Cylindrical brush soft (grey)Cleanfox	1
10	083147	Cylindrical brush hard (black)Cleanfox	1
11		Brush roller Ø80 Tynex 80	1
12	083148	Tynexbürste K420 green Cleanfox	1