



## spare parts list EF135 18V EU



## Table of contents

---

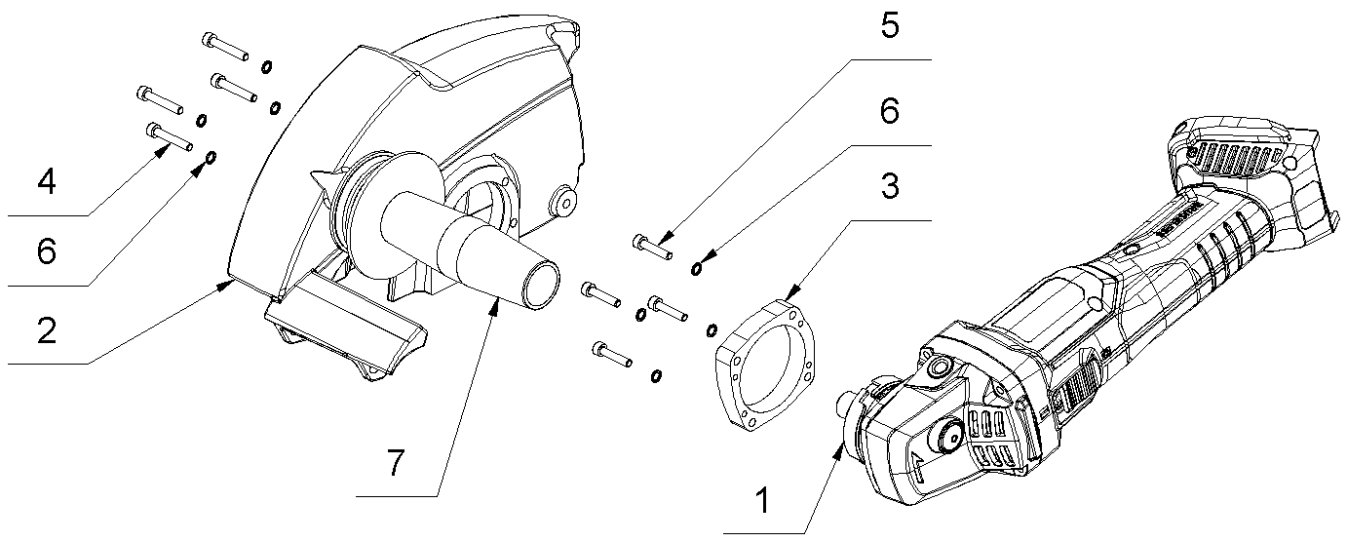
1 EF135 18V EU (0001/2020 - heute)	3
1 Motor + Cover	4
1 Battery angle grinder L125-18.0V	6
2 support plate	8
3 Shafts + Rollers	10
4 sheet	12
5 Fixing screw	14
6 Milling blade	16
7 Tool kit	18
8 Accessory	19

## 1 EF135 18V EU (0001/2020 - heute)

---

Item no.	Article no.	Description
1	01_01_012845	Motor + Cover
2	01_02_012845	support plate
3	01_03_012845	Shafts + Rollers
4	01_04_012845	sheet
5	01_05_012845	Fixing screw
6	01_06_012845	Milling blade
7	01_07_012845	Tool kit
8	01_08_012845	Accessory

# 1 Motor + Cover

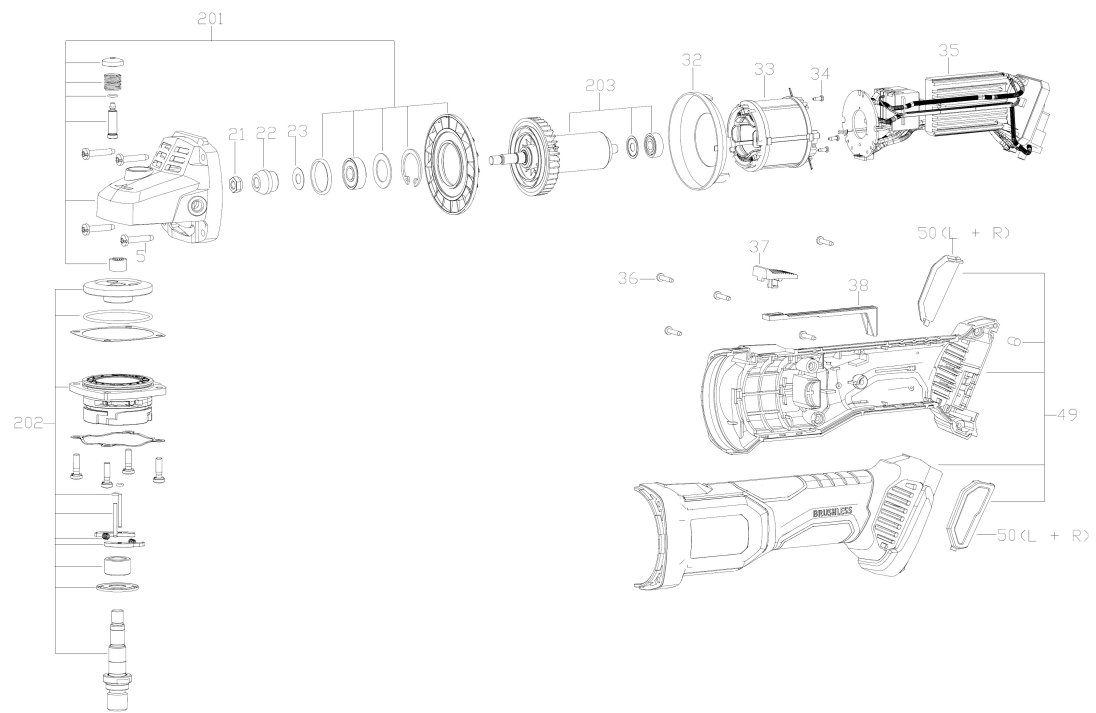


## 1 Motor + Cover

---

Item no.	Article no.	Description	Quantity
1	089621	Battery angle grinder L125-18.0V	1
2	080807	Cover WE15 BS 125	1
3	012844	Between flangeAkku EF135	1
4	018282	Cylinder head screw M 4x25 DIN 912	4
5	017725	Cylinder head screw M4x20 DIN 912	4
6	016961	Snorr washer M4	8
7	081258	Anti-vibration handle, M 8 black	1

# 1 Battery angle grinder L125-18.0V

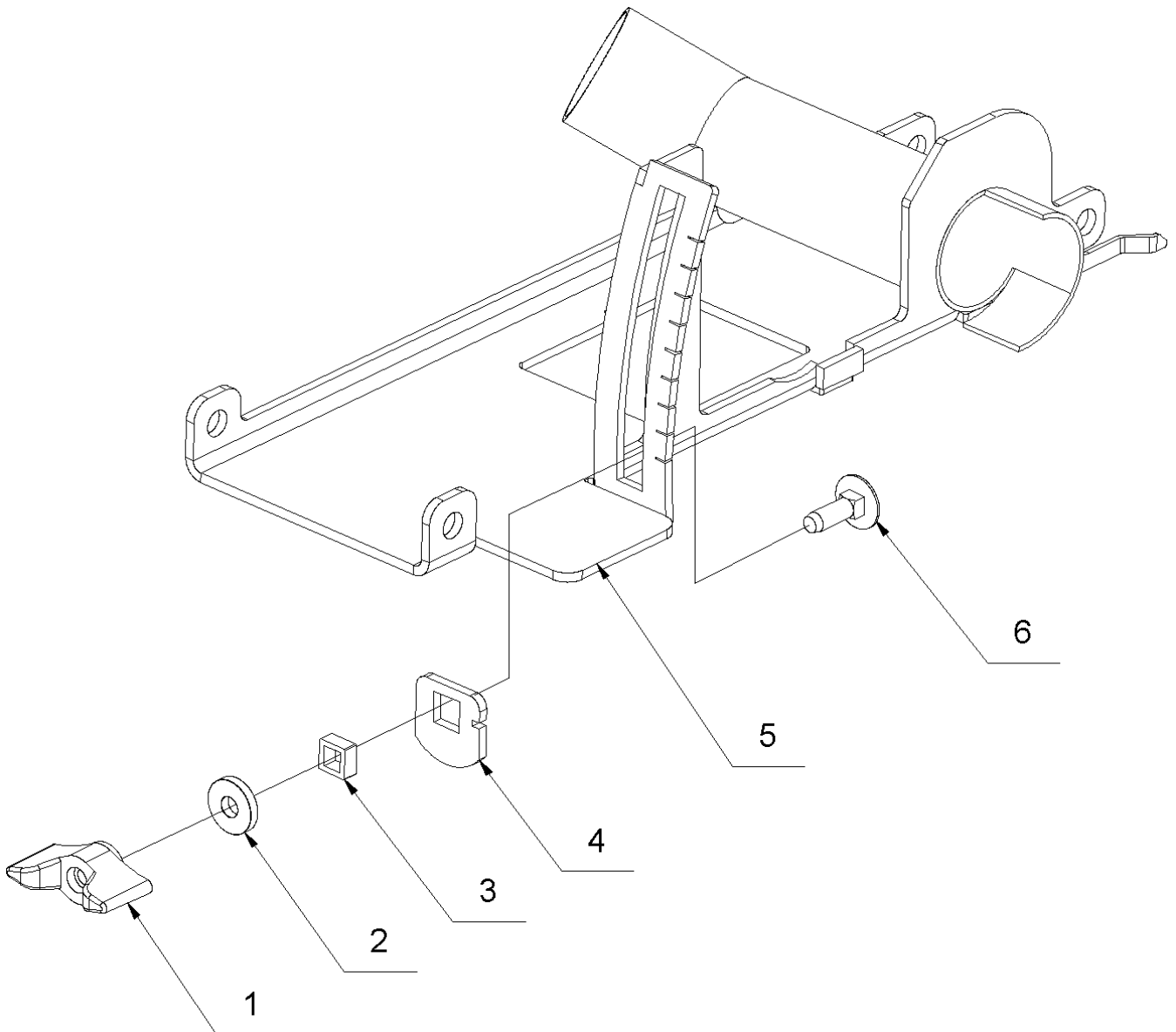


## 1 Battery angle grinder L125-18.0V

Item no.	Article no.	Description	Quantity
5	159273	Screw ST4 2x22 L125-18V	4
21	159275	Nut Housing M6 L125-18V	1
22	159276	Pinion Z14 housing L125-18V	1
23	159277	Dust washer 15,6x7x0,2 L125-18V	1
32	159279	Air deflector L125-18V	1
33	159281	Magnetic field L125-18V	1
34	159323	Screw 2,2x6,5 L125-18V	3
35	159324	Electronic module L125-18V	1
36	159326	Screw 2,9x16 L125-18V	5
37	159328	Switch button L125-18V	1
38	159331	Switch Actuator L125-18V	1
49		housing assy	1
50	159333	Dust cover LE/RI Set L125-18V	1
201	159272	Gearbox housing cpl. L125-18V	1
202	159274	Gear shaft cpl. L125-18V	1
203	159278	Anchor cpl. L125-18V	1

## 2 support plate

---





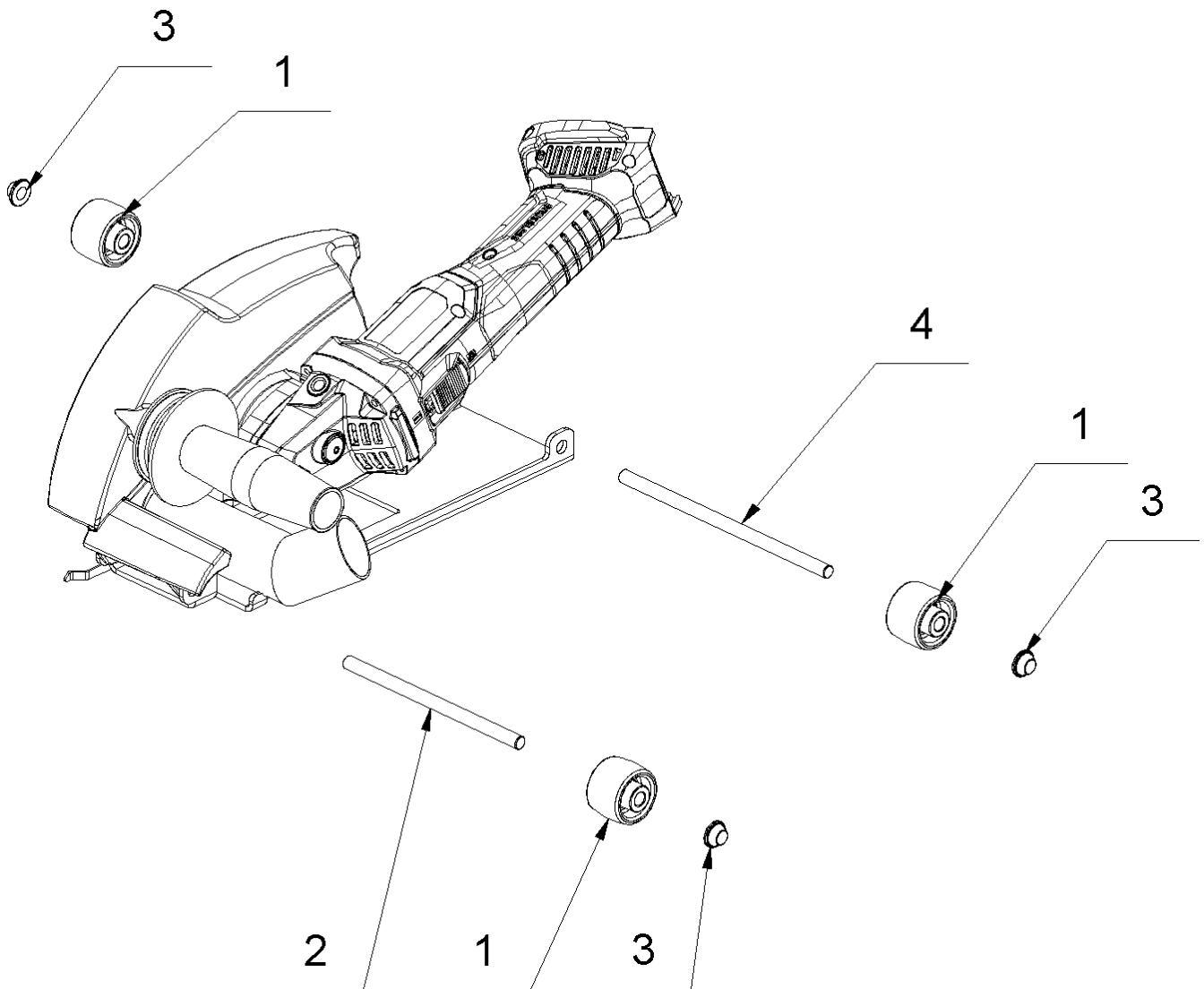
## 2 support plate

---

Item no.	Article no.	Description	Quantity
1	047796	Wing nut M6 plastic	1
2	071776	Washer 6,4 DIN 7349	1
3	071733	Square EF135	1
4	069291	pointer EF135	1
5	069295	SG supporting plate EF135	1
6	014782	Flat round screw M6X20 DIN 603	1

### 3 Shafts + Rollers

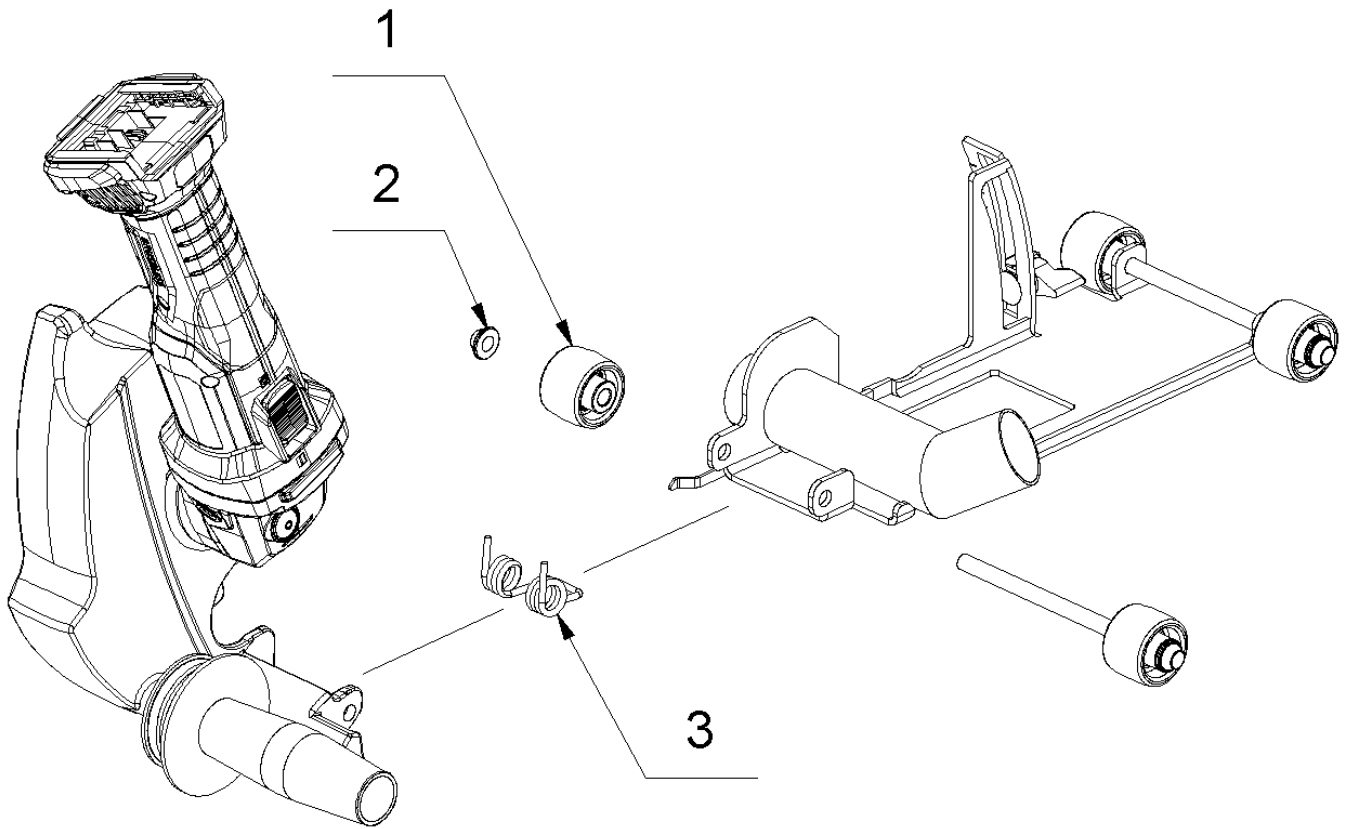
---



### 3 Shafts + Rollers

---

Item no.	Article no.	Description	Quantity
1	069289	Role EF135	3
2	069287	shaft axle f.front wheel EF135	1
3	014880	Starlock d 8 with cap	3
4	069288	shaft axle f.behind role EF135	1



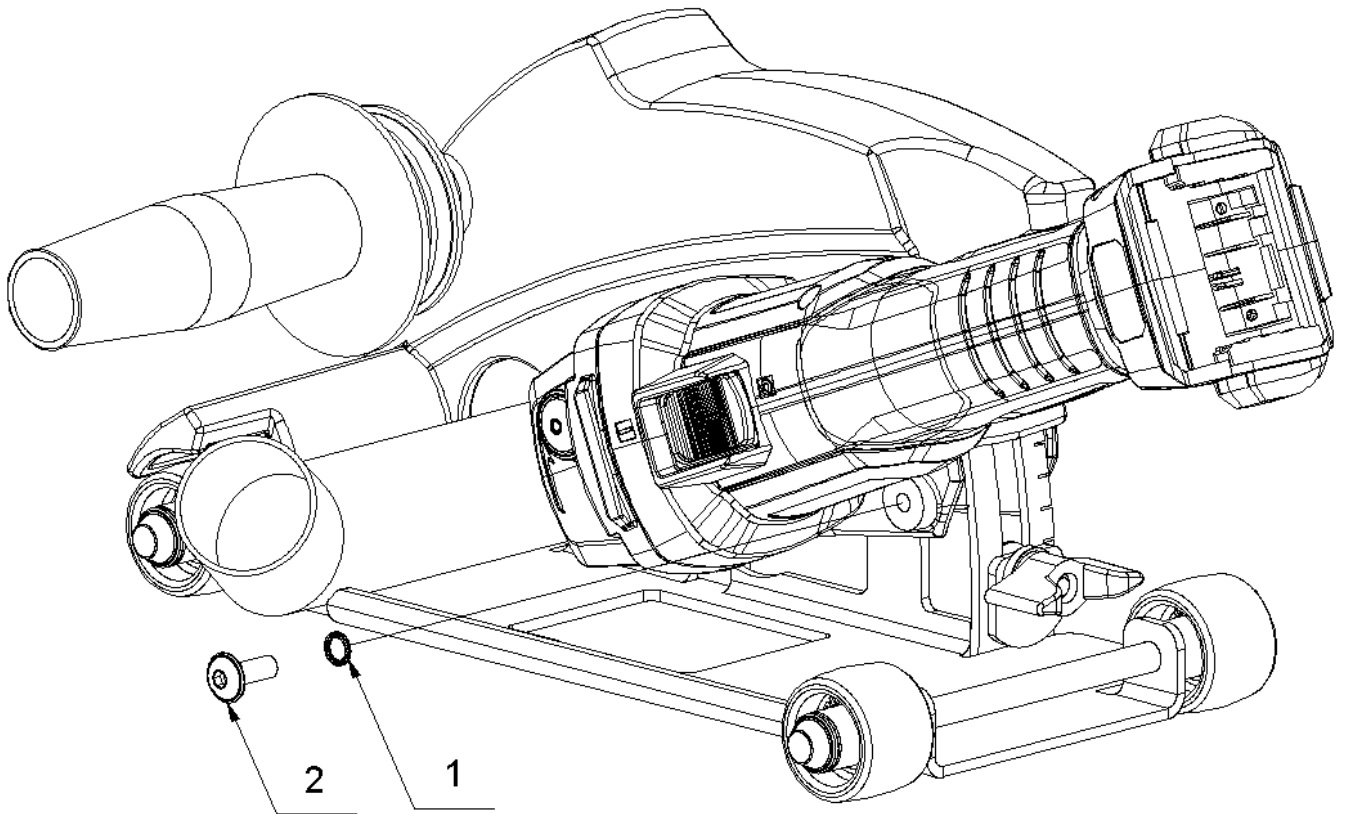
## 4 sheet

---

Item no.	Article no.	Description	Quantity
1	069289	Role EF135	1
2	014880	Starlock d 8 with cap	1
3	036906	Double spring clip	1

## 5 Fixing screw

---



## 5 Fixing screw

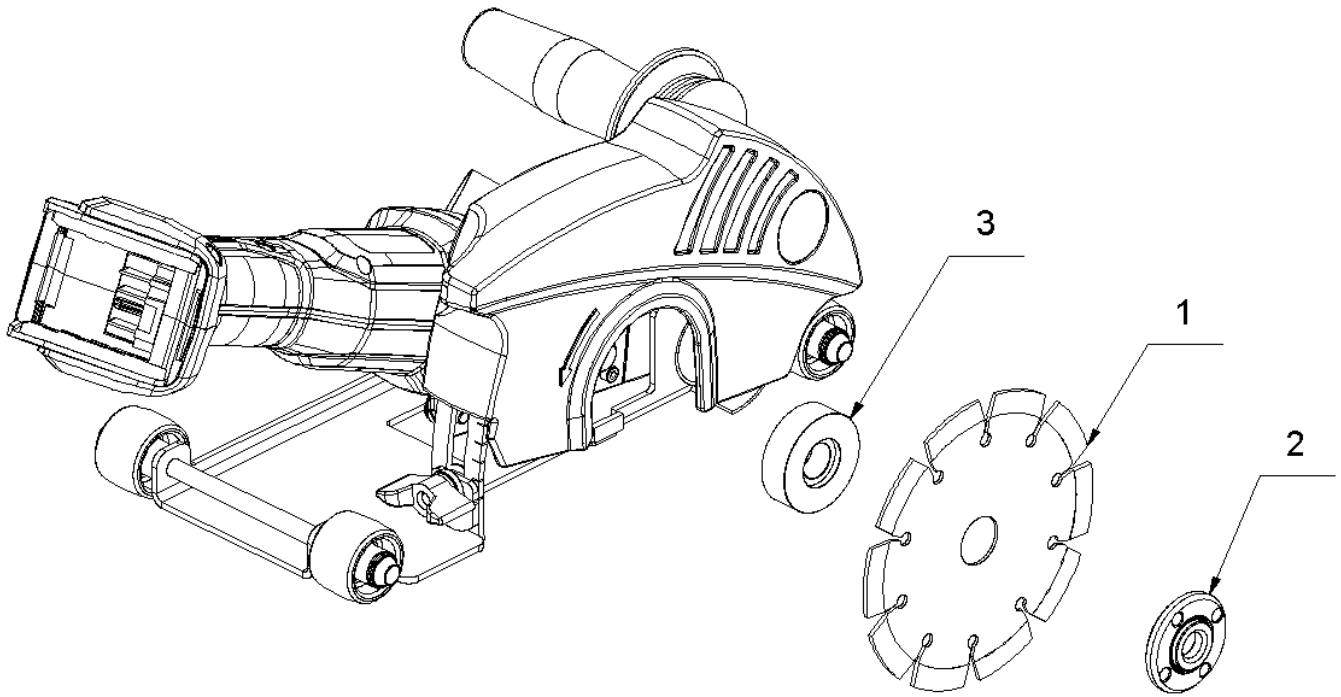
---

Item no.	Article no.	Description	Quantity
1	014859	Schnorr washer M6	1
2	017552	Lens head screw M 6x16 ISO 7380	1

---

## 6 Milling blade

---





## 6 Milling blade

---

Item no.	Article no.	Description	Quantity
1	068602	Grooving disc EF135	1
2	082245	Flange nut M14 WE22 SEE 159341	1
3	012840	Tension flange Akku EF135	1
4	066218	Sleeve dust pipe Gecko/Dust	1

## 7 Tool kit

---

Article no.	Description	Quantity
015315	Hearing protectors	1
015316	Protective goggles	1
069285	Twin hole spanner EF135/BS12 SEE 159342	1

## 8 Accessory

---

Article no.	Description	Quantity
013055	Insert Systainer battery EF135 18V	1
033865	Carrying case Gr.4 315x396x296	1
010939	Charger Akku.18V 230V/50Hz	1
010930	Battery pack 18V/5Ah/Li 90Wh	1