



spare parts list Flamenco 230V EU



Table of contents

1	Flamenco 230V EU (04.2010 bis 09.2017)	3
1	Handel	4
2	Switch housing	5
3	Handle / Handle adjustment	7
4	Handle adjustment	9
5	Motor unit	11
6	Stator	13
7	Gear	15
8	Chassis / Machine case	17
9	Cleaning tank	19
10	Suction kit	21
11	Suction kit with bend	23
12	Electronic circuit diagram	25
2	Flamenco 230V EU (09.2017 bis heute)	27
1	Handel	28
2	Switch housing	30
3	Handle / Handle adjustment	32
4	Handle adjustment	34
5	Motor unit	36
6	Stator	38
7	Gear	40
8	Chassis / Machine case	42
9	Cleaning tank	44
10	Suction kit	46
11	Suction kit with bend	48
12	Electronic circuit diagram	50

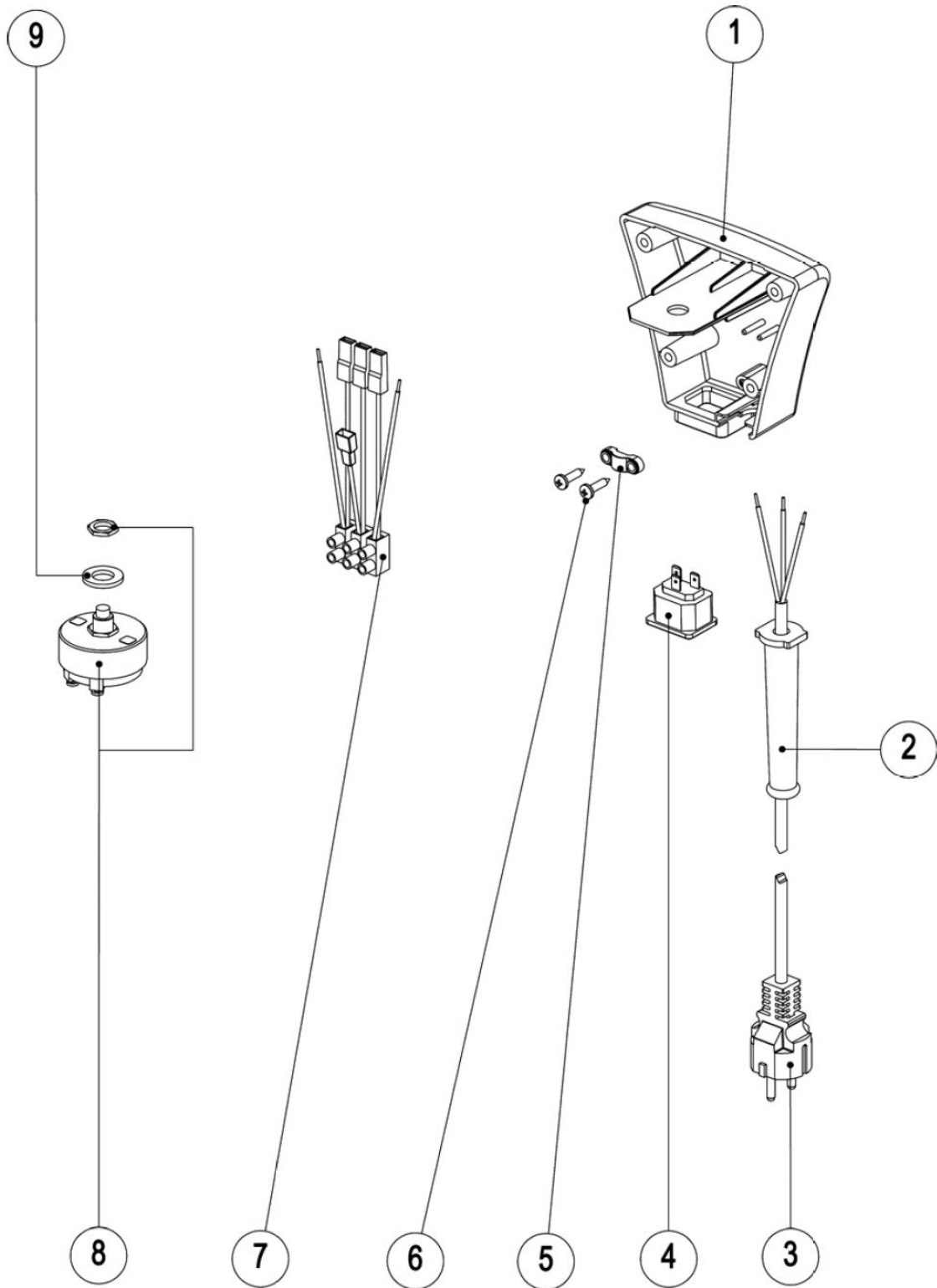
1 Flamenco 230V EU (04.2010 bis 09.2017)

Item no.	Article no.	Description
1	01_01_056365	Handel
2	01_02_056364	Switch housing
3	01_03_056364	Handle / Handle adjustment
4	01_04_056364	Handle adjustment
5	01_05_056364	Motor unit
6	01_06_056364	Stator
7	01_07_056364	Gear
8	02_08_056364	Chassis / Machine case
9	01_09_056364	Cleaning tank
10	01_10_056364	Suction kit
11	01_11_056364	Suction kit with bend
12	01_12_056364	Electronic circuit diagram

1 Handel

Item no.	Article no.	Description	Quantity
1	060113	Screw 5x50 Samba 2010	8
2	063958	Switch housing cpl.black Samba 2010	1
3	059711	Front & rear pistol stock 2010 green	1
4	060115	Screw 5x20 Samba 2010	8
5	060116	Push switch Samba 2010	1
6	060117	Pressure spring SAMBA 2010 / 6,2x27x0,6	1
7	014814	Stop hexagon nut M5 DIN 985	1
8	018321	Countersunk screw M5x25 DIN 7991 10.9	1
9	015446	Steel ball	2
10	086041	Lever-Set for switch Samba 2010	1
11	060132	Adjusting lever for shaft Samba 2010	1
12	060133	Split pin 6,0x63 Samba 2010	1
13	060134	Star grip screw M6 Samba 2010/Uno	2
14	060140	Clamp tank right Samba 2010/Uno	2
15	060141	Clamp tank left Samba 2010/Uno	2
16	014761	Countersunk screw M8x25 DIN 7991 10.9	4
17	059712	Bar for handle oval Samba 2010	1
18	060135	Screw 3,2x20 Samba 2010	2
19	060138	Sealing plug Samba 2010	1
20	018161	Hexagon head screw M 6x45 DIN 931	2
21	060136	Readjusting part Samba 2010/Uno	2
22	060137	Lever for water supply Samba 2010	1
23	086041	Lever-Set for switch Samba 2010	1
24	060139	Split pin 6,0x58 Samba 2010	3
25	078085	Clamp tank complete Samba 2010	1

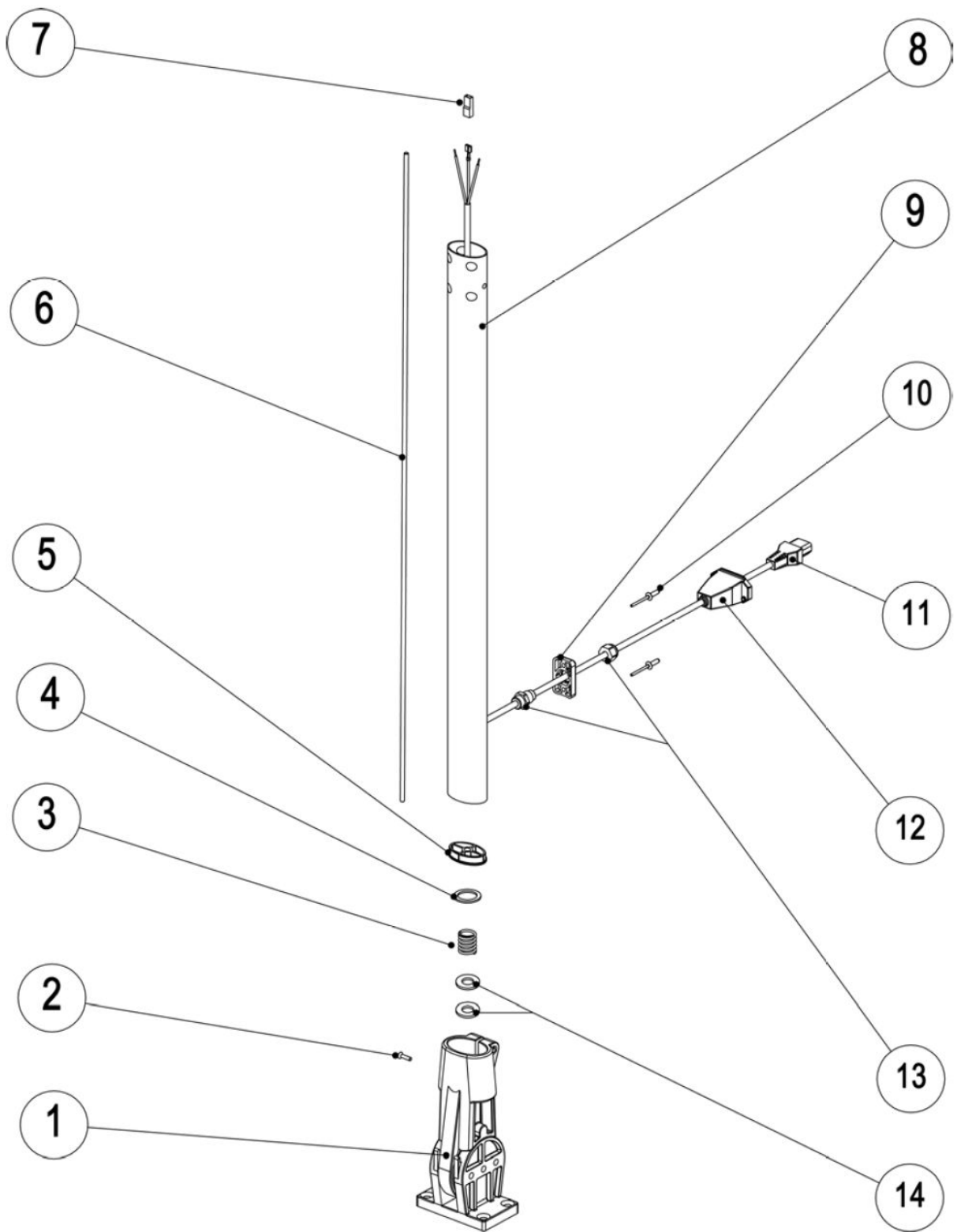
2 Switch housing



2 Switch housing

Item no.	Article no.	Description	Quantity
1	063957	Housing black Samba 2010	1
2	015498	Protective rubber sleeve	1
3	067390	Cord 3G1,5x10m green with plug	1
4	033965	Plug socket	1
5	015496	Cable clamp	1
6	018332	Countersunk screw M3x10 DIN 965	2
7	165139	Cable set with clamps Samba 2010	1
8	015514	Switch for grinding machine W1700	1
9	014830	Washer M12 DIN 125 A	1

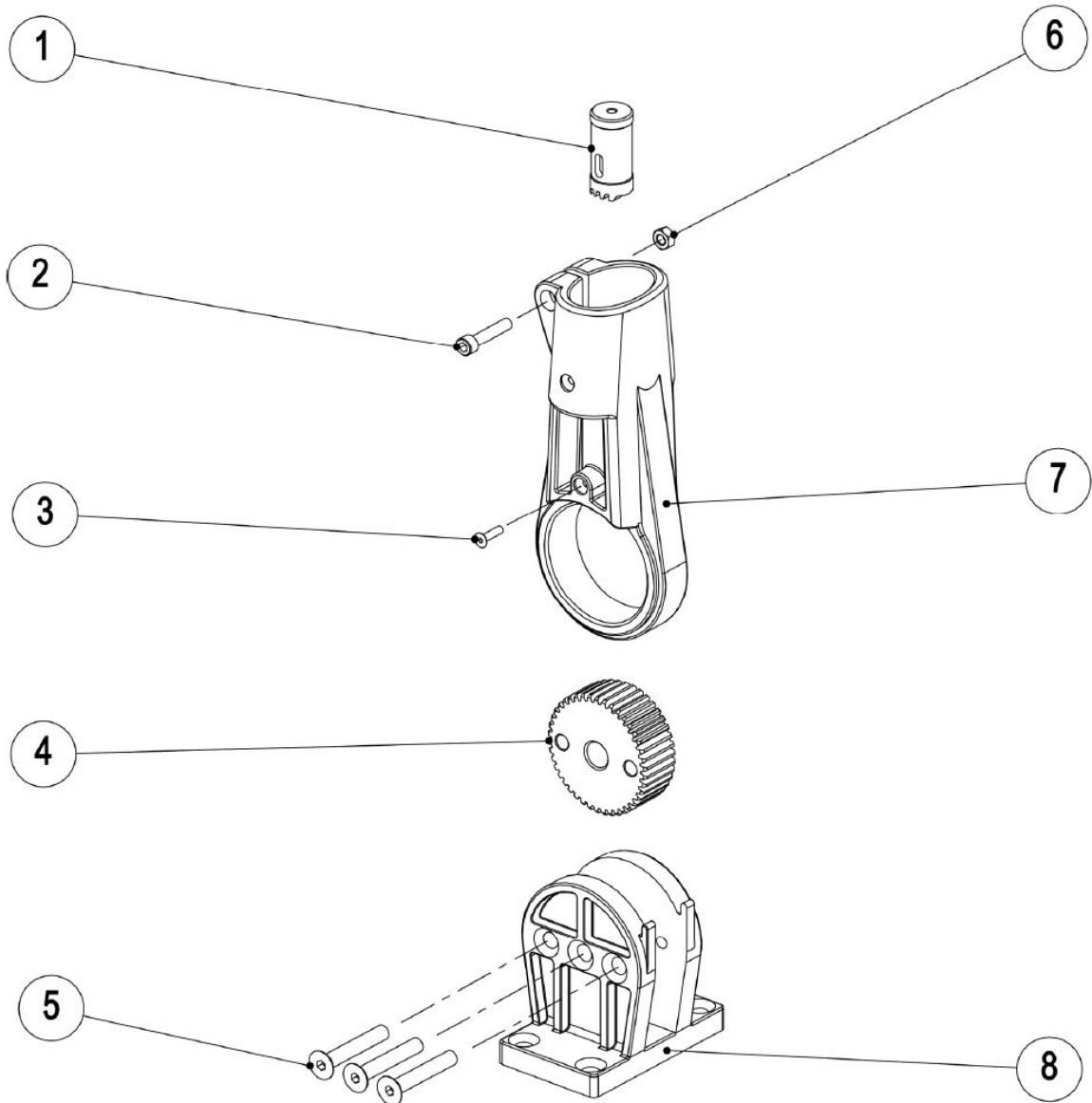
3 Handle / Handle adjustment



3 Handle / Handle adjustment

Item no.	Article no.	Description	Quantity
1	060291	Tilting joint complete Samba 2010	1
2	015468	Screw M4x16 for retention pin	1
3	015461	Pressure spring 21x35x2,4 W1700	1
4	060293	Sealing ring Samba 2010	1
5	060287	Stopper Samba 2010	1
6	015455	Pull rod for shaft adjustment W1700	1
7	060288	Plug grounding Samba 2010	1
8	059712	Bar for handle oval Samba 2010	1
9	060290	Cable support Samba 2010	1
10	060289	Rivet 4,8x15 Samba 2010	2
11	014195	Cable in shaft	1
12	033962	Cover Plug	1
13	019180	Bolt joint PG 9	1
14	014831	Washer 16mm DIN 125	2

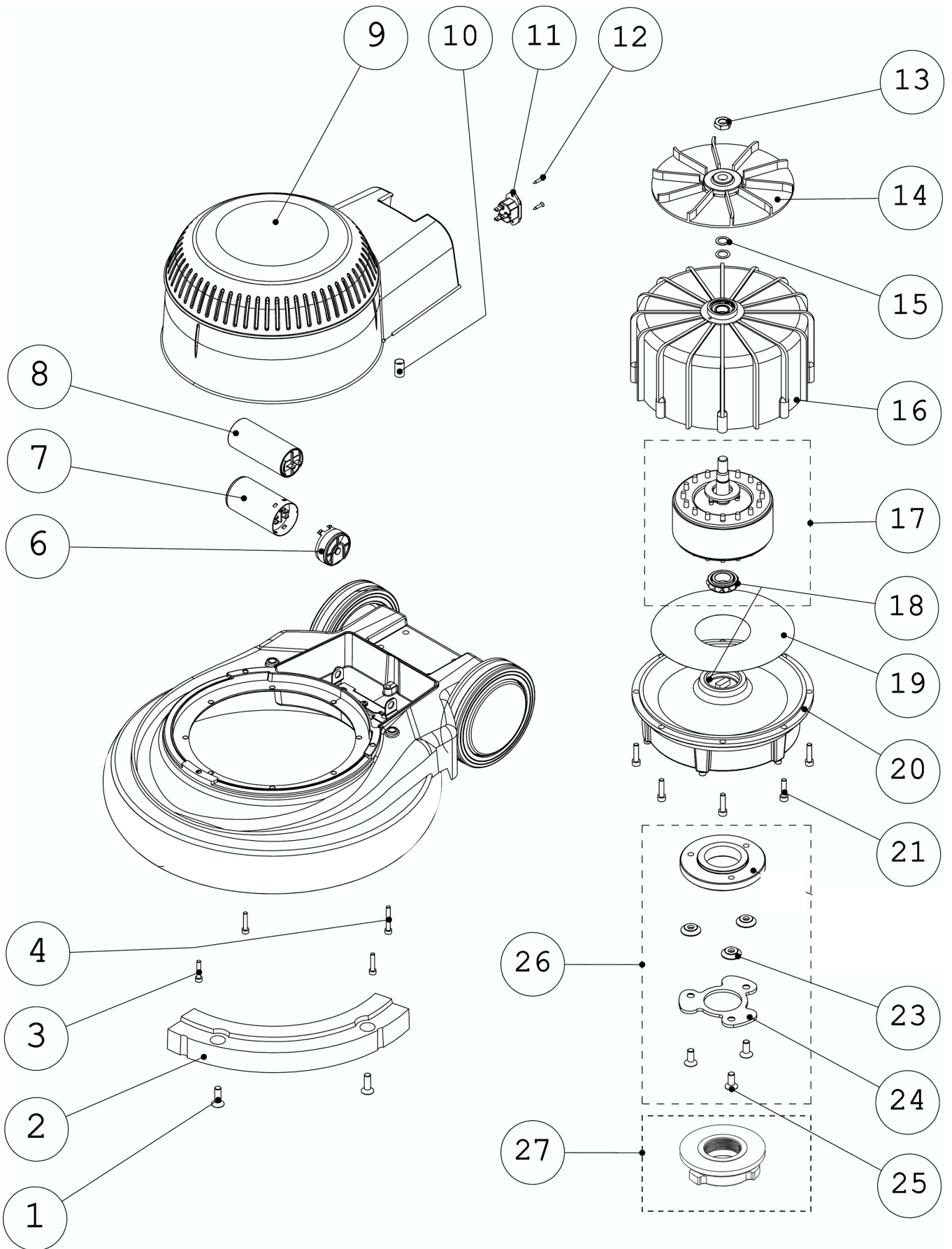
4 Handle adjustment



4 Handle adjustment

Item no.	Article no.	Description	Quantity
1	015462	Piston for gear rim	1
2	017678	Cylinder head screw M6x30 DIN 912	1
3	015468	Screw M4x16 for retention pin	1
4	015463	Gear rim	1
5	017631	Counter sunk screw M8X50 DIN 7991 10.9	3
6	014809	Hexagon nut M6 DIN 934	1
7	059713	Joint Samba Tango 2010	1
8	015464	Fork-shaped piece for attachmen	1

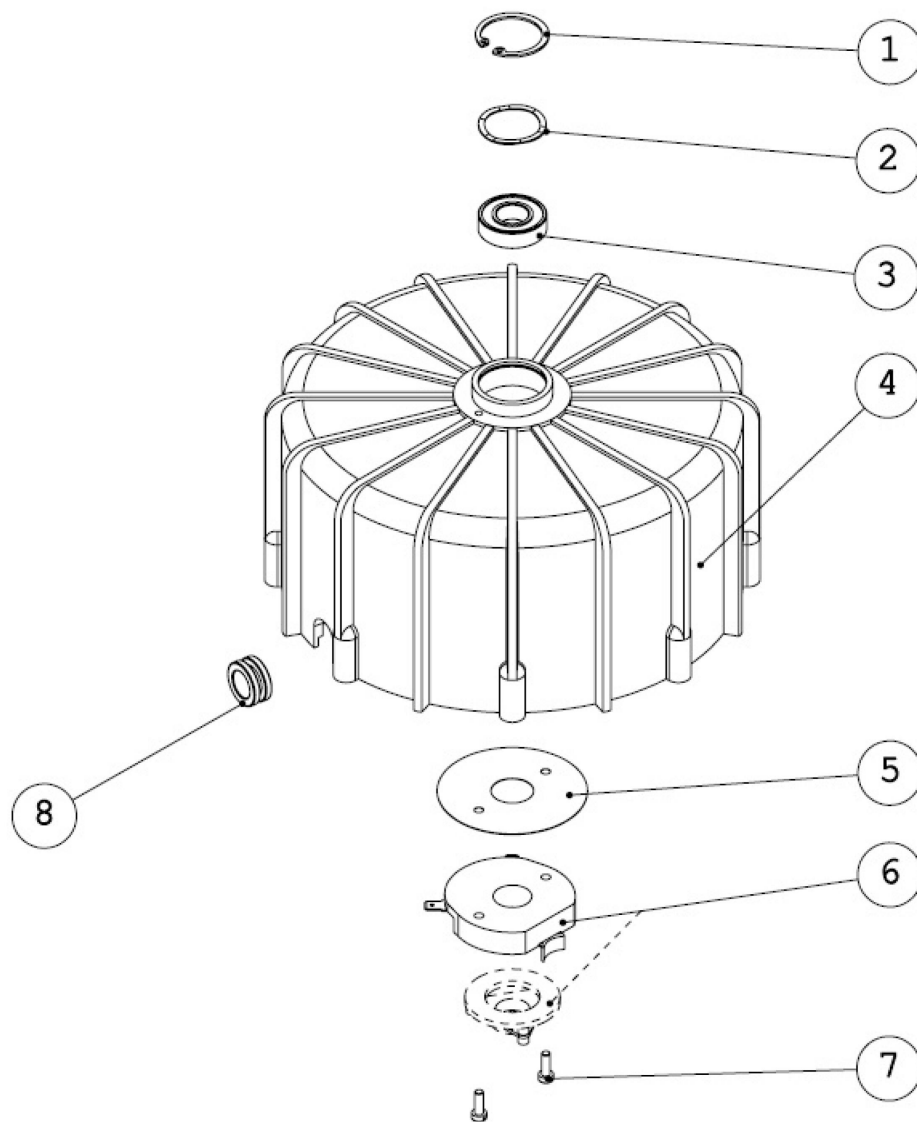
5 Motor unit



5 Motor unit

Item no.	Article no.	Description	Quantity
1	017116	Countersunk screw M8x30 10.9 DIN 7991	2
2	021628	Balancing weight Samba/Tango/UNO	1
3	014722	Cylinder head screw M 5x25 DIN 912	3
4	017007	Cylinder head screw M5x35 DIN912	1
6	060218	Cover copacitor Samba 2010	1
7	015503	Capacitor 140 µF Samba	1
8	015505	Operating condenser 31.5 MF	1
9	067713	Motor housing cover Flamenco/Samba	1
10		Spacer bushing	1
11	015502	Socket	1
12	042472	Selftapping convex head screw 2,9x19 DIN	2
13	015478	Nut for fan wheel	1
14	015480	Fan wheel	1
15	018080	Shim ring 12x18x0,5 DIN 988	2
16	021656	Stator C43 (230V/50Hz)	1
17	021657	Rotor C43 (230V)	1
18	015486	Bearing 6002 W 1700	1
19	015485	Insulated disc large W1700	1
20	033964	Transmission compl.	1
21	018264	Cylinder head screw M 6x35 DIN 912	8
23	021635	Distance spacer	3
24	015401	Clutch flange Mambo/Samba	1
25	014760	Countersunk screw M8x20 DIN 7991 10.9	3
26	060219	Hub complet Samba 2010	1
27	069507	Coupling Clarke Samba	1

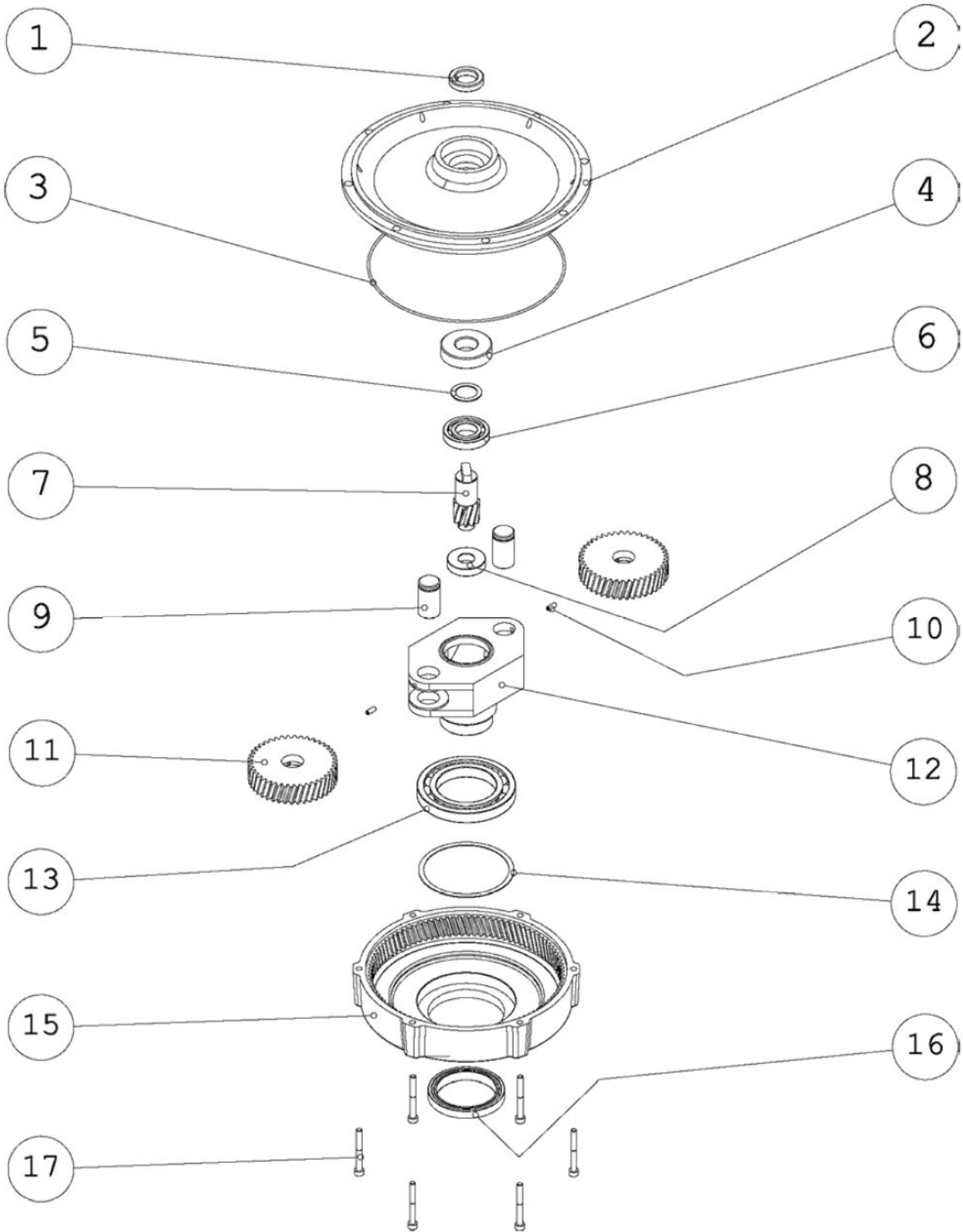
6 Stator



6 Stator

Item no.	Article no.	Description	Quantity
1	014854	Safety washer I32 DIN 472	1
2		Washer	1
3	014702	Ball-bearing 6002 2RS	1
4	021656	Stator C43 (230V/50Hz)	1
5	018417	Insulated disc small W1700	1
6	015483	Centrifugal switch	1
7	015481	Screw M 4x 12 DIN 84	2
8	015498	Protective rubber sleeve	1

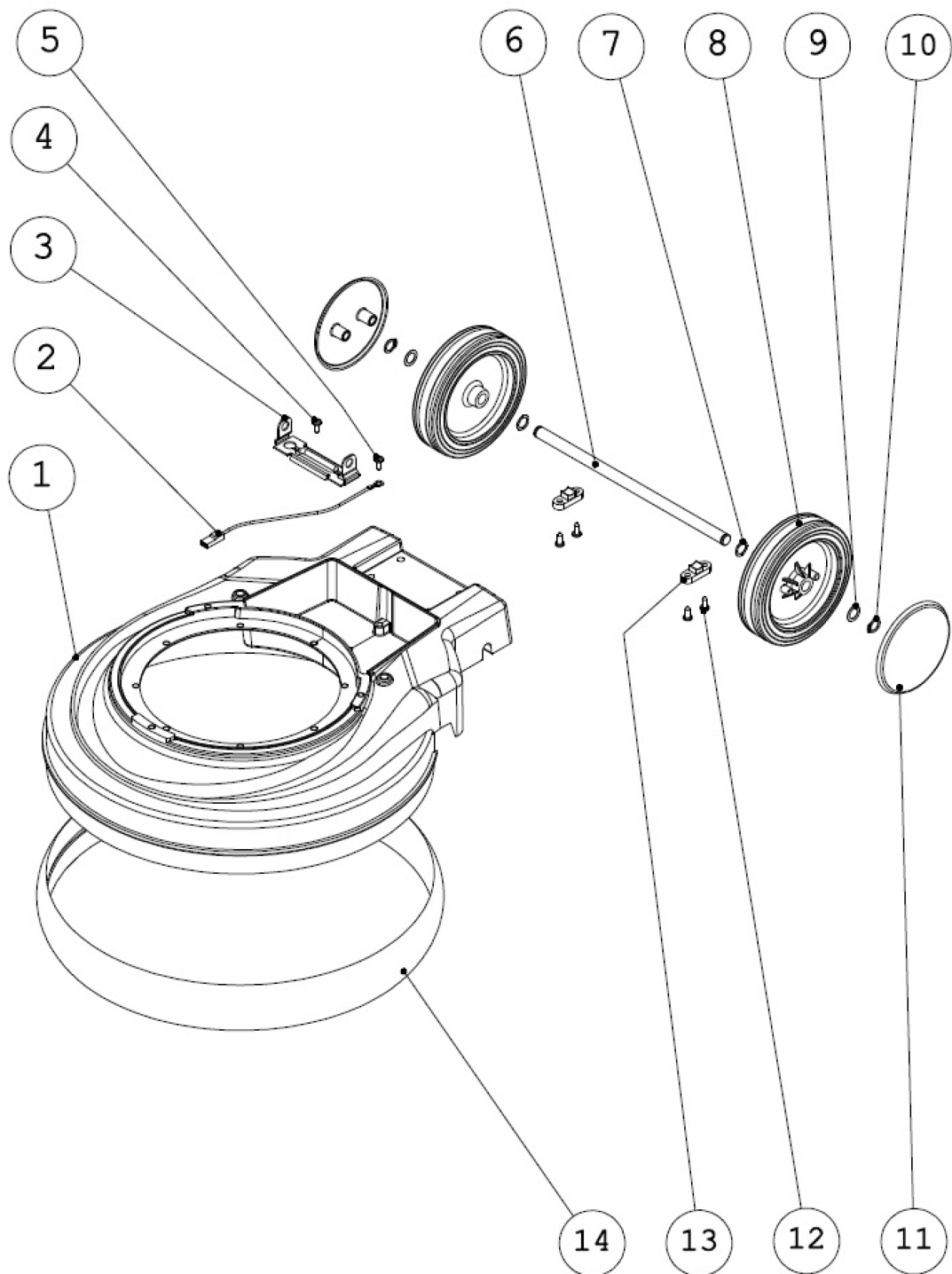
7 Gear



7 Gear

Item no.	Article no.	Description	Quantity
1	015507	Shaft sealing ring 20x32x7 W1700	1
2	033963	Cover transmission	1
3	018422	O-Ring	1
4	015489	Bearing E-20	1
5	014841	Shim ring 20x28x1 DIN 988	1
6	018425	Bearing 16-004 W1700	1
7	018424	Gear wheel W1700	1
8	018426	Bearing E.15 W1700	1
9	015508	Bolt	2
10	018219	Thread pin M4x10 DIN 914	2
11	015509	Gear wheel	2
12	018427	Gear holder W1700	1
13	018428	Bearing 16-011 W1700	1
14	015511	Ball bearing washer KAS 90	1
15	018429	Gear block housing W1700	1
16	015510	Shaft sealing ring 55x70x8 W1700	1
17	060220	Cylinder head screw M5x45 10.9 micro	6

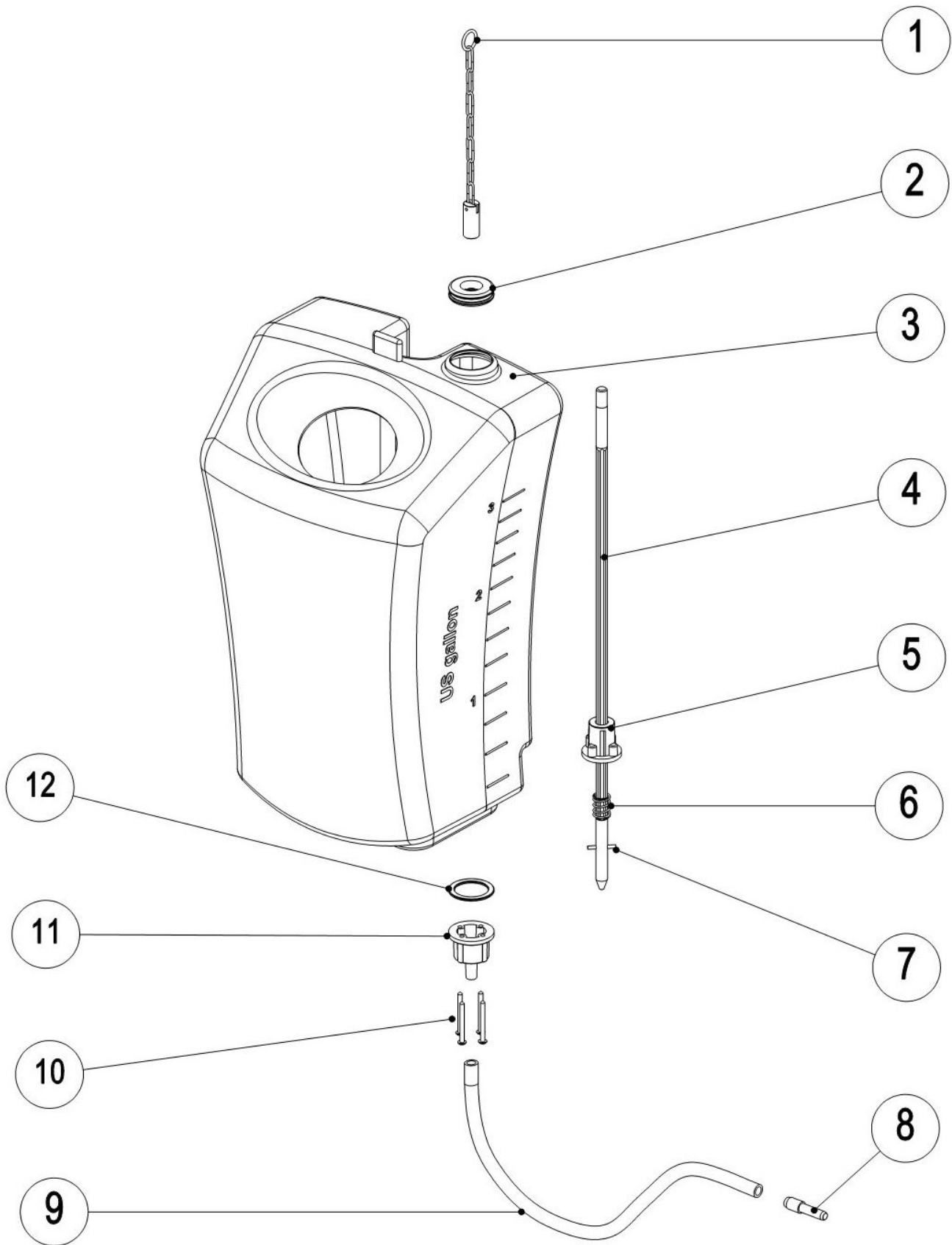
8 Chassis / Machine case



8 Chassis / Machine case

Item no.	Article no.	Description	Quantity
1	060273	Housing bottom part dark grey 2010	1
2	060255	Ground wire Samba 2010	1
3	060256	Holdig device condenser Samba 2010	1
4	015504	Lens head screw M5x10 DIN 7985	1
5		Screw 5x6	2
6	021631	not available SEE 083950	1
7	018080	not available SEE 083950	2
8	060272	not available SEE 083950	2
9	014830	not available SEE 083950	2
10	014849	not available SEE 083950	2
11	021633	not available SEE 083950	2
12	017284	not available SEE 083950	4
13	017283	not available SEE 083950	2
14	015358	Rubber bumpers light grey	1

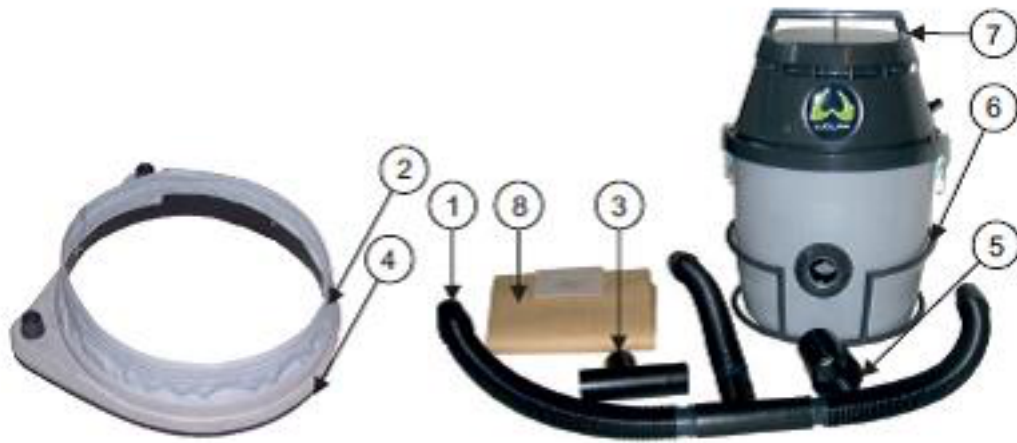
9 Cleaning tank



9 Cleaning tank

Item no.	Article no.	Description	Quantity
1	072889	Chain f.cleaning tank Samba	1
2		Sealing Top	1
3		Tank housing	1
4		Rod	1
5	017493	Half valve for W1700	1
6		Spring	1
7		Pin	1
8	018433	end fitting f.hose cleaning tank	1
9	018647	Hose for tank	1
10		Screw	4
11	017048	Lower half of valve	1
12		Sealing below	1
13	059831	Cleaning tank complete Samba 2010	1

10 Suction kit



10 Suction kit

Item no.	Article no.	Description	Quantity
1	014038	Hose kit with T adapter	1
2	014039	Suction ring with sealing shell	1
3	015352	T-piece exhaust 390	1
4	015353	Brush ring f. suction kit	1
5	015354	Connecting piece f.exhaust 390	1
6	015355	Basket for Vacuum Samba/Tango	1
7	035082	Vacuum cleaner 230V/50Hz Samba/Tango	1
8	037299	Paper filter bags 80cm f.13503 5p/PU	1

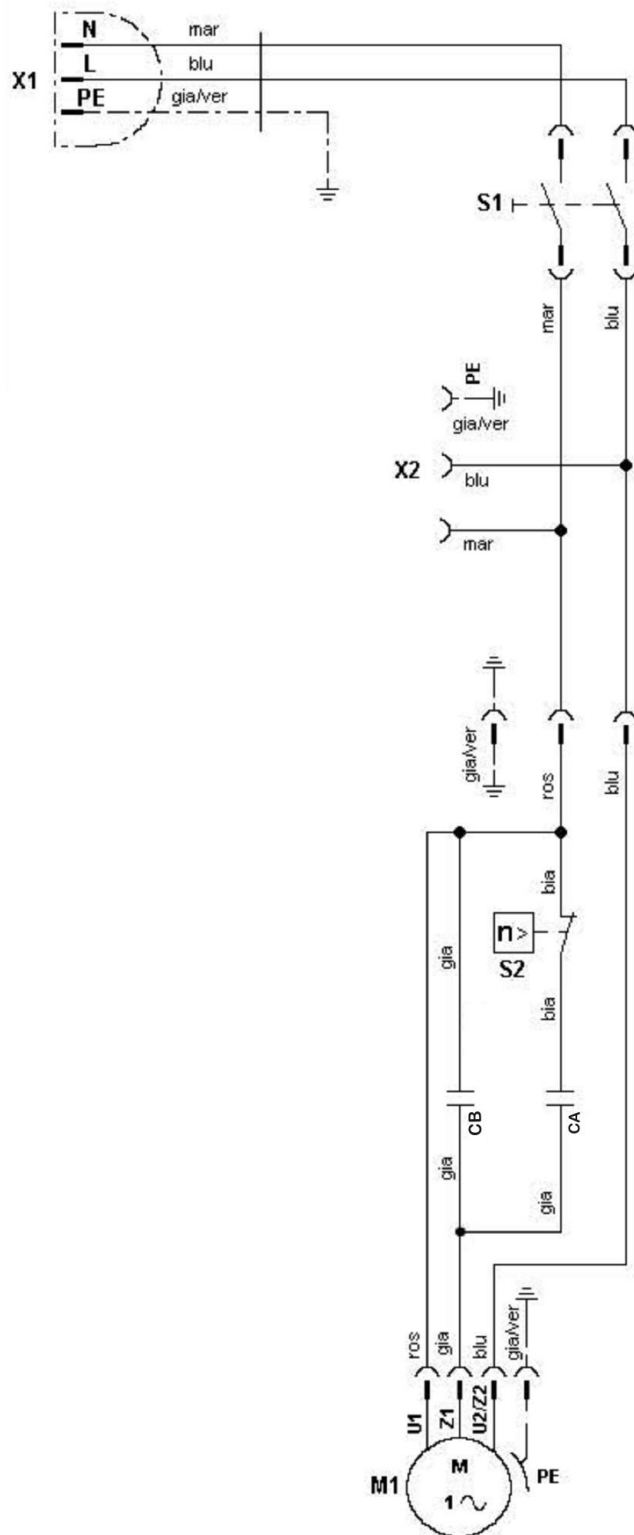
11 Suction kit with bend



11 Suction kit with bend

Item no.	Article no.	Description	Quantity
1	035082	Vacuum cleaner 230V/50Hz Samba/Tango	1
2	073385	Connection hose cpl.	1
3	072462	Dust seal with elbow Samba	1
4	078742	Brush f. dust seal with elbow	1
5	072465	Bumper dust proof ring Samba	1

12 Electronic circuit diagram



GB	CB OPERATING CAPACITOR
	CA START CAPACITOR
	S2 TACHOMETRIC START CAPACITOR
	M1 BRUSH ELECTRIC MOTOR
	S1 MAIN POWER SWITCH
	X1 POWER PLUG
	X2 AUXILIAR SOCKET

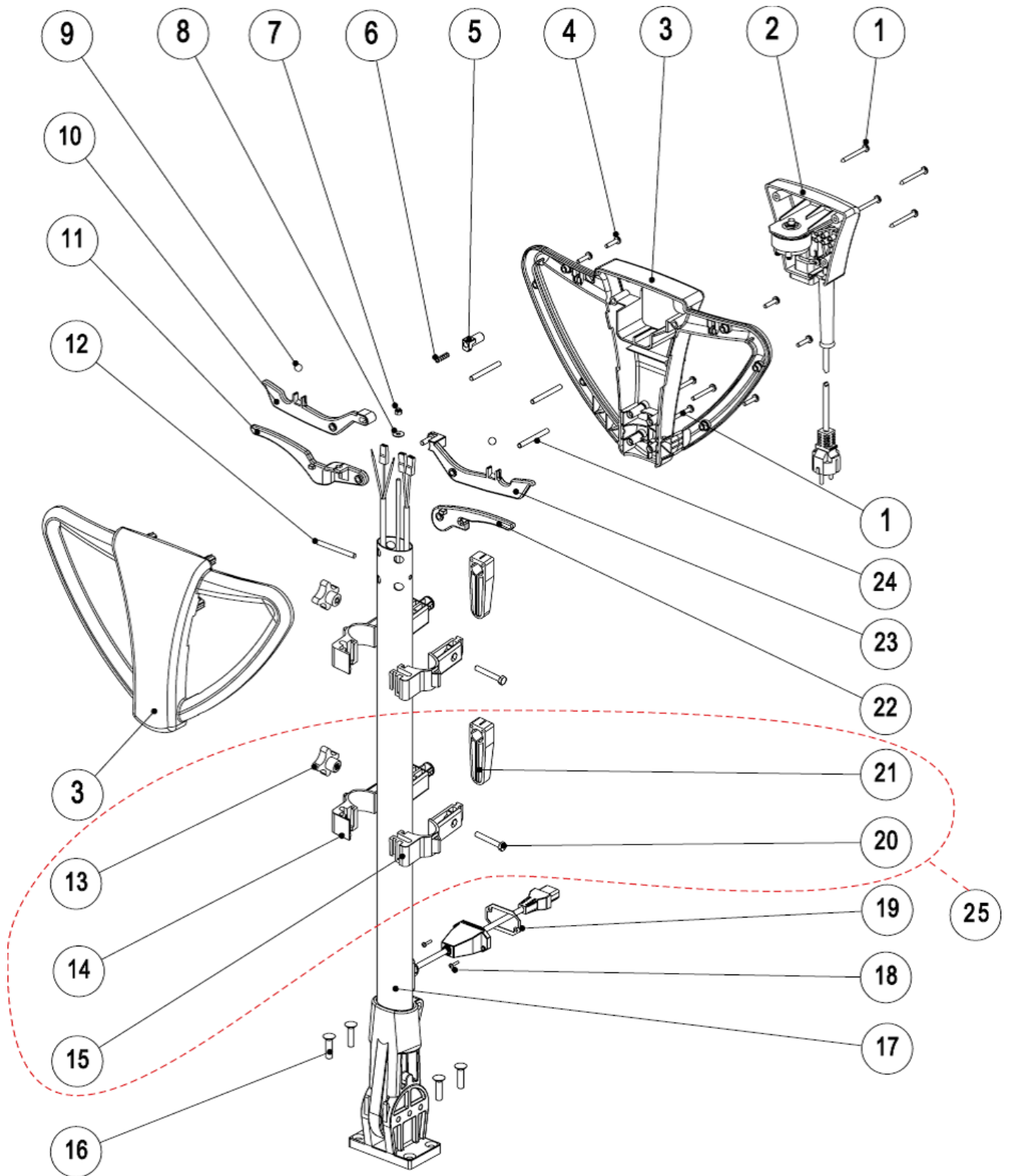
ros	rosso	red
bia	bianco	white
mar	marrone	brown
blu	blu	blue
gia	giallo	yellow
ver	verde	green

12 Electronic circuit diagram

2 Flamenco 230V EU (09.2017 bis heute)

Item no.	Article no.	Description
1	01_01_056364	Handel
2	01_02_056364	Switch housing
3	01_03_056364	Handle / Handle adjustment
4	01_04_056364	Handle adjustment
5	01_05_056364	Motor unit
6	01_06_056364	Stator
7	01_07_056364	Gear
8	01_08_056364	Chassis / Machine case
9	01_09_056364	Cleaning tank
10	01_10_056364	Suction kit
11	01_11_056364	Suction kit with bend
12	01_12_056364	Electronic circuit diagram

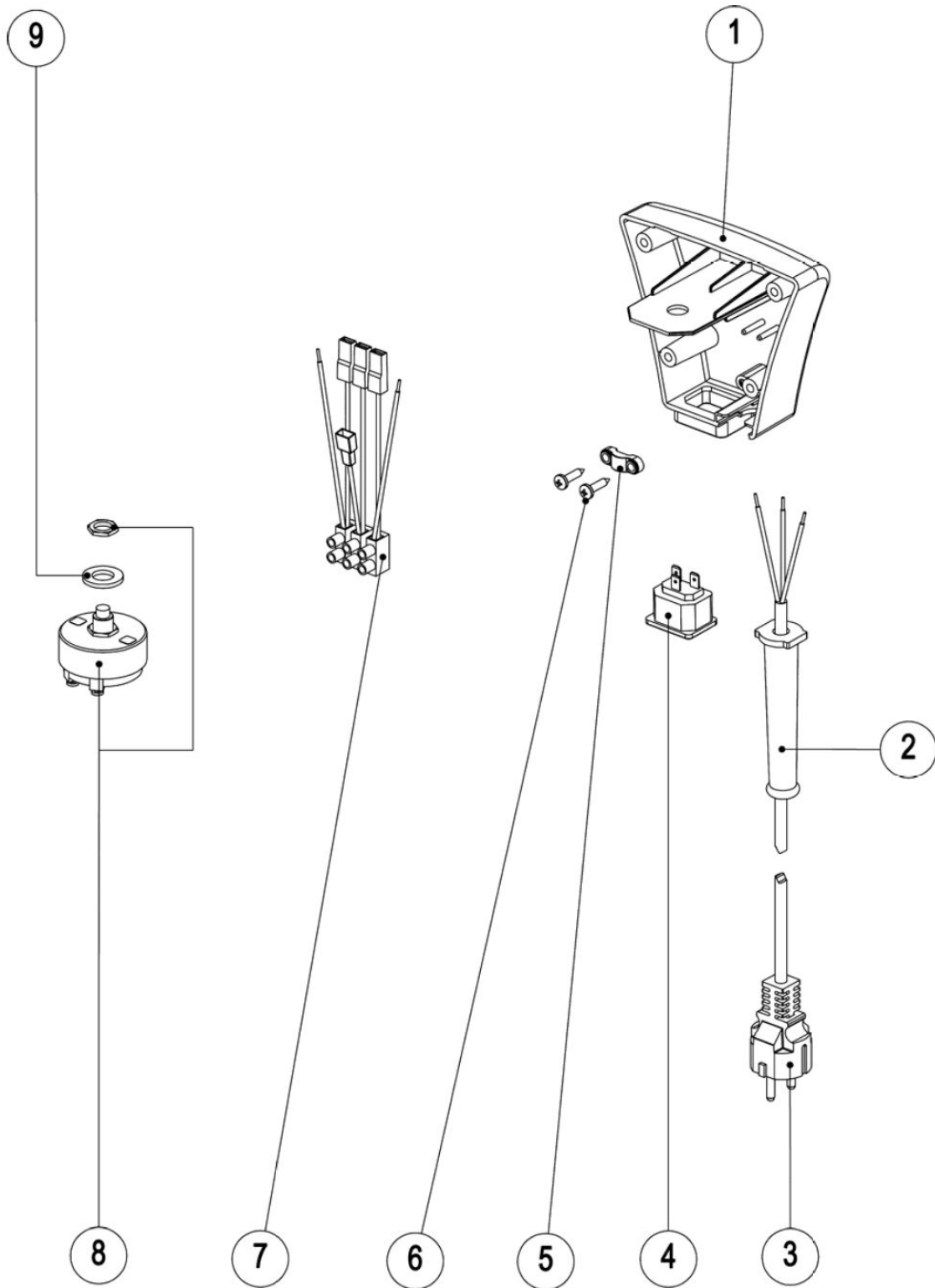
1 Handel



1 Handel

Item no.	Article no.	Description	Quantity
1	060113	Screw 5x50 Samba 2010	8
2	063958	Switch housing cpl.black Samba 2010	1
3	059711	Front & rear pistol stock 2010 green	1
4	060115	Screw 5x20 Samba 2010	8
5	060116	Push switch Samba 2010	1
6	060117	Pressure spring SAMBA 2010 / 6,2x27x0,6	1
7	014814	Stop hexagon nut M5 DIN 985	1
8	018321	Countersunk screw M5x25 DIN 7991 10.9	1
9	015446	Steel ball	2
10	086041	Lever-Set for switch Samba 2010	1
11	060132	Adjusting lever for shaft Samba 2010	1
12	060133	Split pin 6,0x63 Samba 2010	1
13	060134	Star grip screw M6 Samba 2010/Uno	2
14	060140	Clamp tank right Samba 2010/Uno	2
15	060141	Clamp tank left Samba 2010/Uno	2
16	014761	Countersunk screw M8x25 DIN 7991 10.9	4
17	059712	Bar for handle oval Samba 2010	1
18	060135	Screw 3,2x20 Samba 2010	2
19	060138	Sealing plug Samba 2010	1
20	018161	Hexagon head screw M 6x45 DIN 931	2
21	060136	Readjusting part Samba 2010/Uno	2
22	060137	Lever for water supply Samba 2010	1
23	086041	Lever-Set for switch Samba 2010	1
24	060139	Split pin 6,0x58 Samba 2010	3
25	078085	Clamp tank complete Samba 2010	1

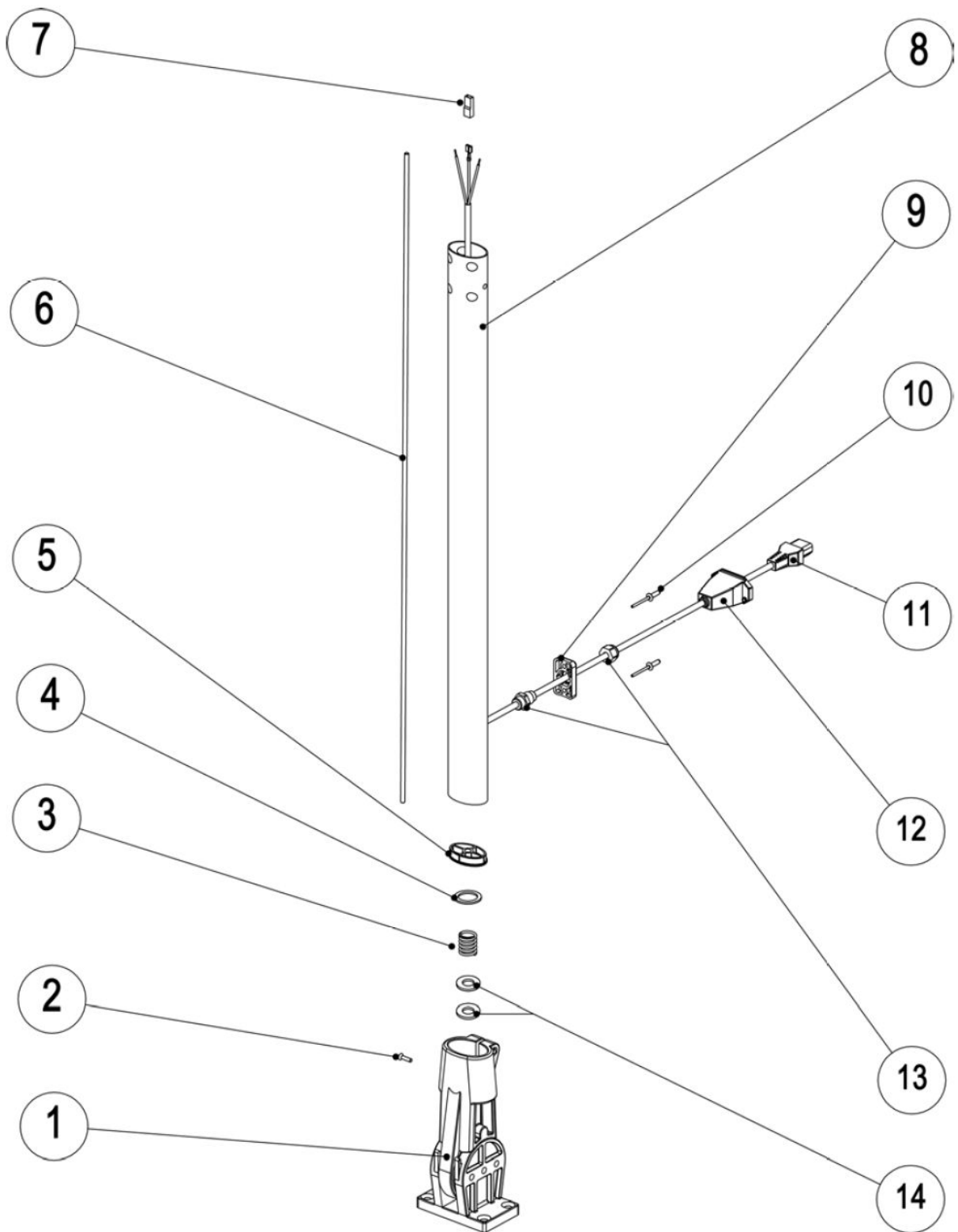
2 Switch housing



2 Switch housing

Item no.	Article no.	Description	Quantity
1	063957	Housing black Samba 2010	1
2	015498	Protective rubber sleeve	1
3	067390	Cord 3G1,5x10m green with plug	1
4	033965	Plug socket	1
5	015496	Cable clamp	1
6	018332	Countersunk screw M3x10 DIN 965	2
7	165139	Cable set with clamps Samba 2010	1
8	015514	Switch for grinding machine W1700	1
9	014830	Washer M12 DIN 125 A	1

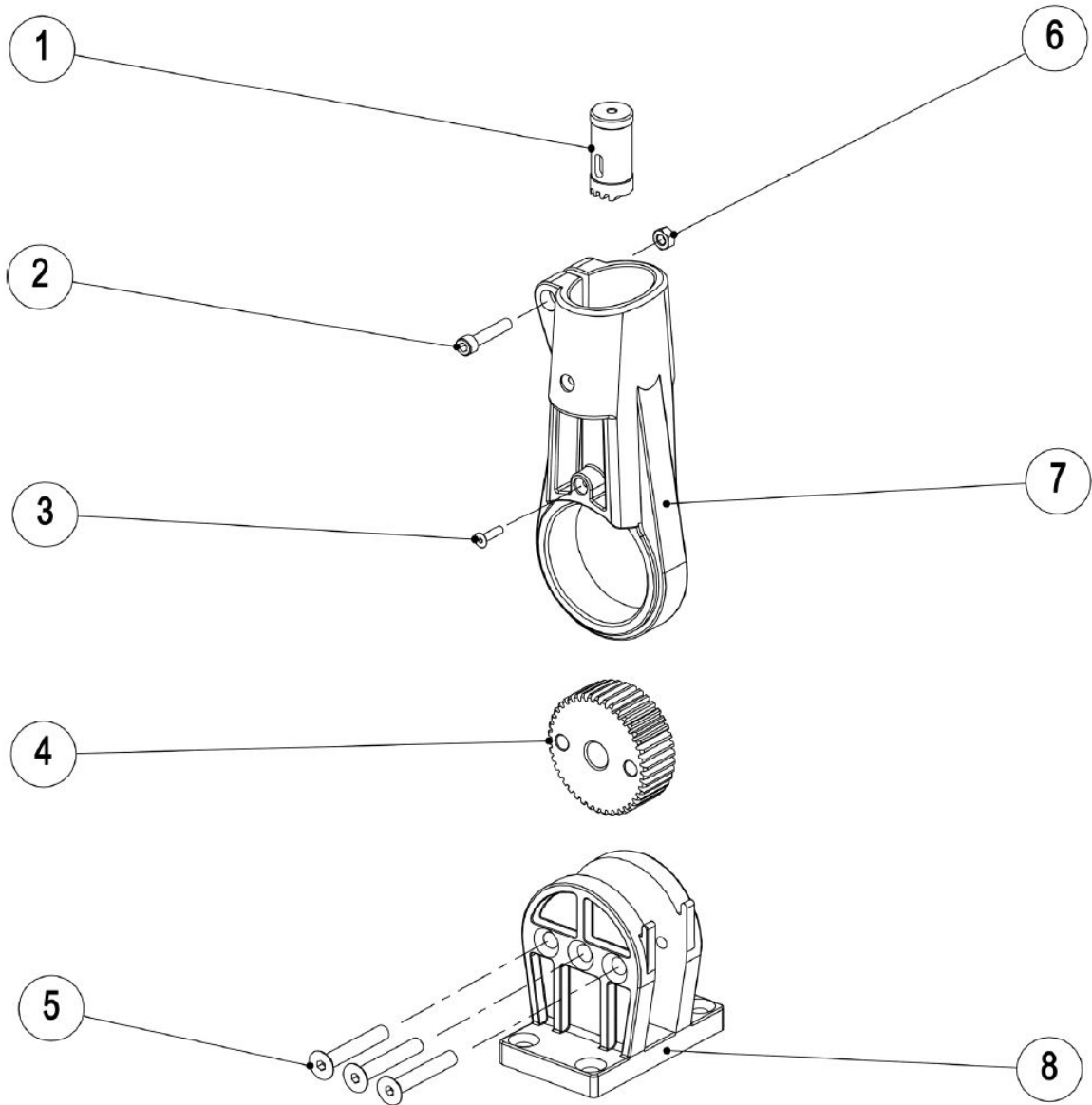
3 Handle / Handle adjustment



3 Handle / Handle adjustment

Item no.	Article no.	Description	Quantity
1	060291	Tilting joint complete Samba 2010	1
2	015468	Screw M4x16 for retention pin	1
3	015461	Pressure spring 21x35x2,4 W1700	1
4	060293	Sealing ring Samba 2010	1
5	060287	Stopper Samba 2010	1
6	015455	Pull rod for shaft adjustment W1700	1
7	060288	Plug grounding Samba 2010	1
8	059712	Bar for handle oval Samba 2010	1
9	060290	Cable support Samba 2010	1
10	060289	Rivet 4,8x15 Samba 2010	2
11	014195	Cable in shaft	1
12	033962	Cover Plug	1
13	019180	Bolt joint PG 9	1
14	014831	Washer 16mm DIN 125	2

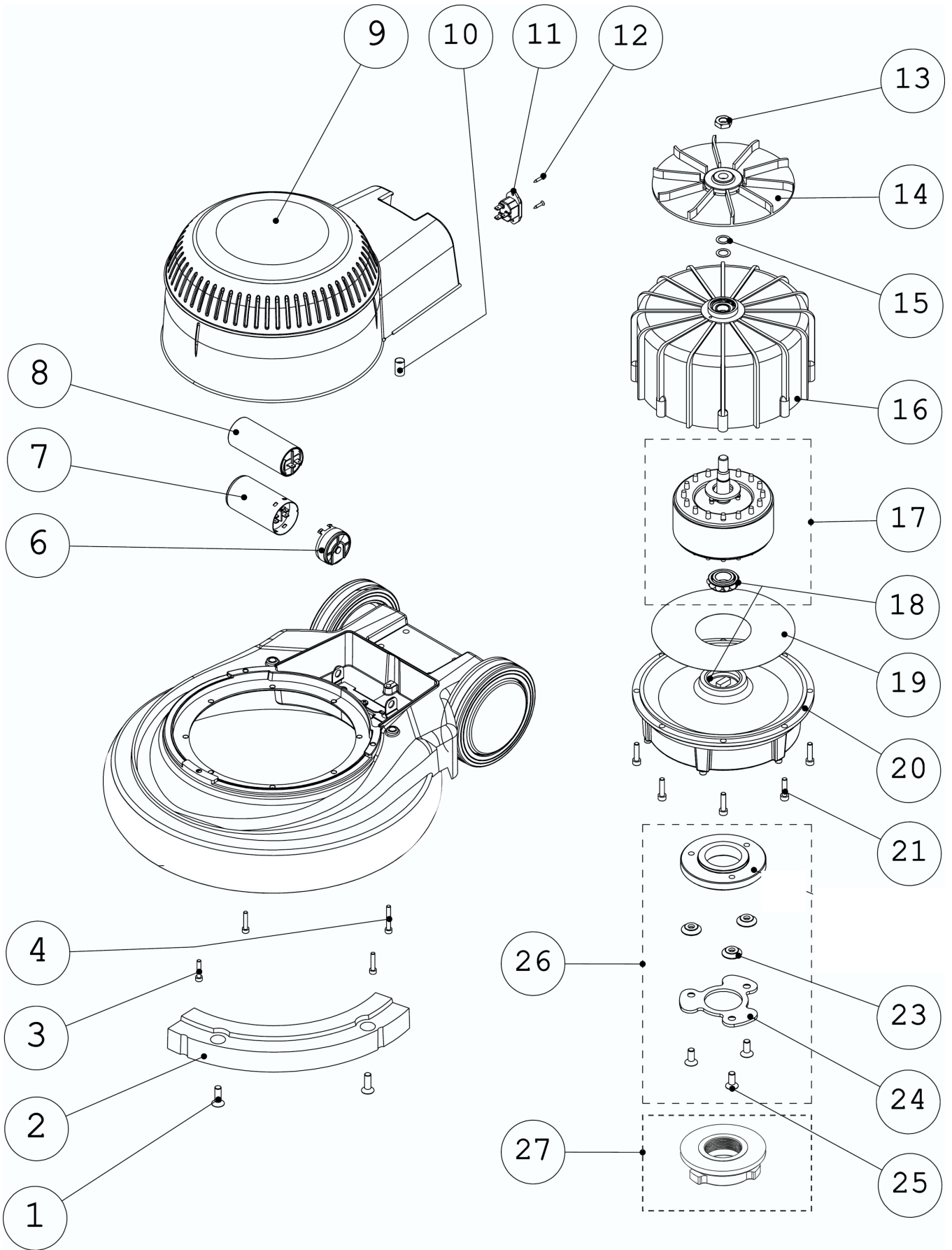
4 Handle adjustment



4 Handle adjustment

Item no.	Article no.	Description	Quantity
1	015462	Piston for gear rim	1
2	017678	Cylinder head screw M6x30 DIN 912	1
3	015468	Screw M4x16 for retention pin	1
4	015463	Gear rim	1
5	017631	Counter sunk screw M8X50 DIN 7991 10.9	3
6	014809	Hexagon nut M6 DIN 934	1
7	059713	Joint Samba Tango 2010	1
8	015464	Fork-shaped piece for attachmen	1

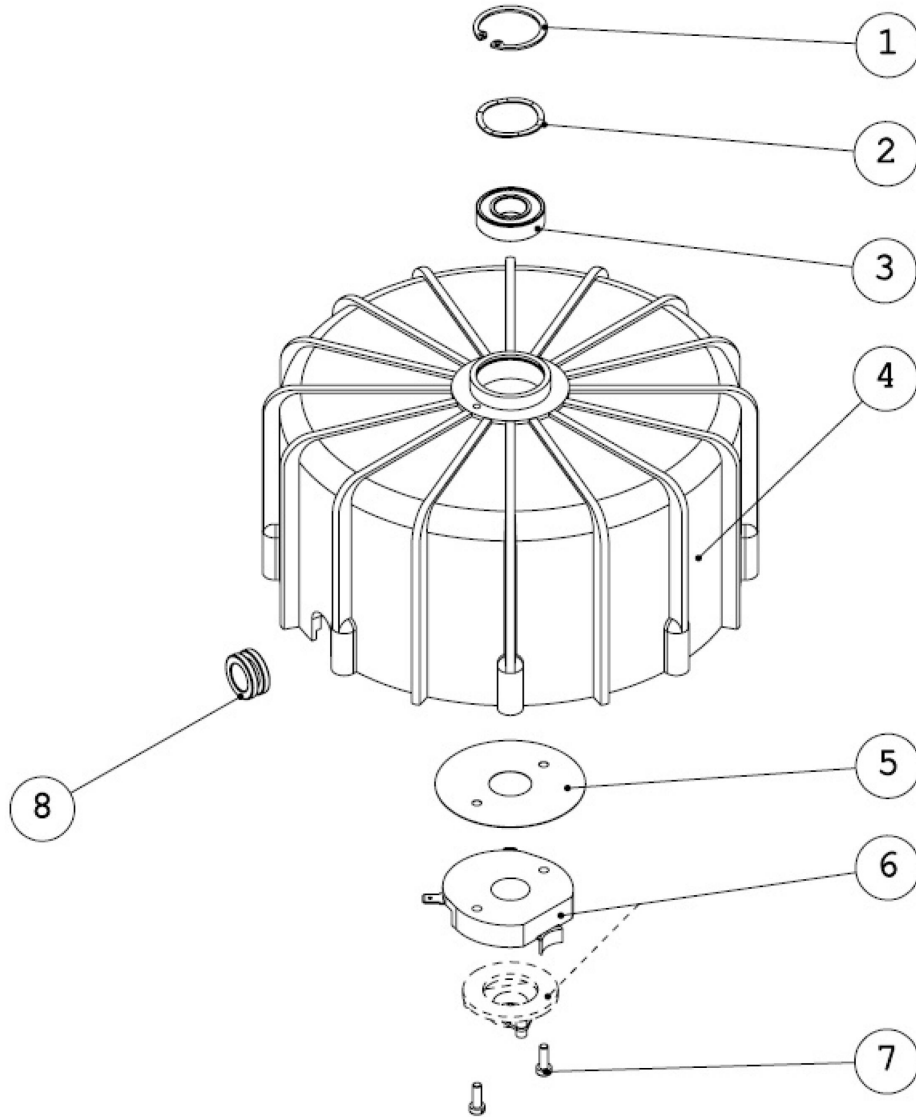
5 Motor unit



5 Motor unit

Item no.	Article no.	Description	Quantity
1	017116	Countersunk screw M8x30 10.9 DIN 7991	2
2	021628	Balancing weight Samba/Tango/UNO	1
3	014722	Cylinder head screw M 5x25 DIN 912	3
4	017007	Cylinder head screw M5x35 DIN912	1
6	060218	Cover copacitor Samba 2010	1
7	015503	Capacitor 140 µF Samba	1
8	015505	Operating condenser 31.5 MF	1
9	067713	Motor housing cover Flamenco/Samba	1
10		Spacer bushing	1
11	015502	Socket	1
12	042472	Selftapping convex head screw 2,9x19 DIN	2
13	015478	Nut for fan wheel	1
14	015480	Fan wheel	1
15	018080	Shim ring 12x18x0,5 DIN 988	2
16	021656	Stator C43 (230V/50Hz)	1
17	021657	Rotor C43 (230V)	1
18	015486	Bearing 6002 W 1700	1
19	015485	Insulated disc large W1700	1
20	033964	Transmission compl.	1
21	018264	Cylinder head screw M 6x35 DIN 912	8
23	021635	Distance spacer	3
24	015401	Clutch flange Mambo/Samba	1
25	014760	Countersunk screw M8x20 DIN 7991 10.9	3
26	060219	Hub complet Samba 2010	1
27	069507	Coupling Clarke Samba	1

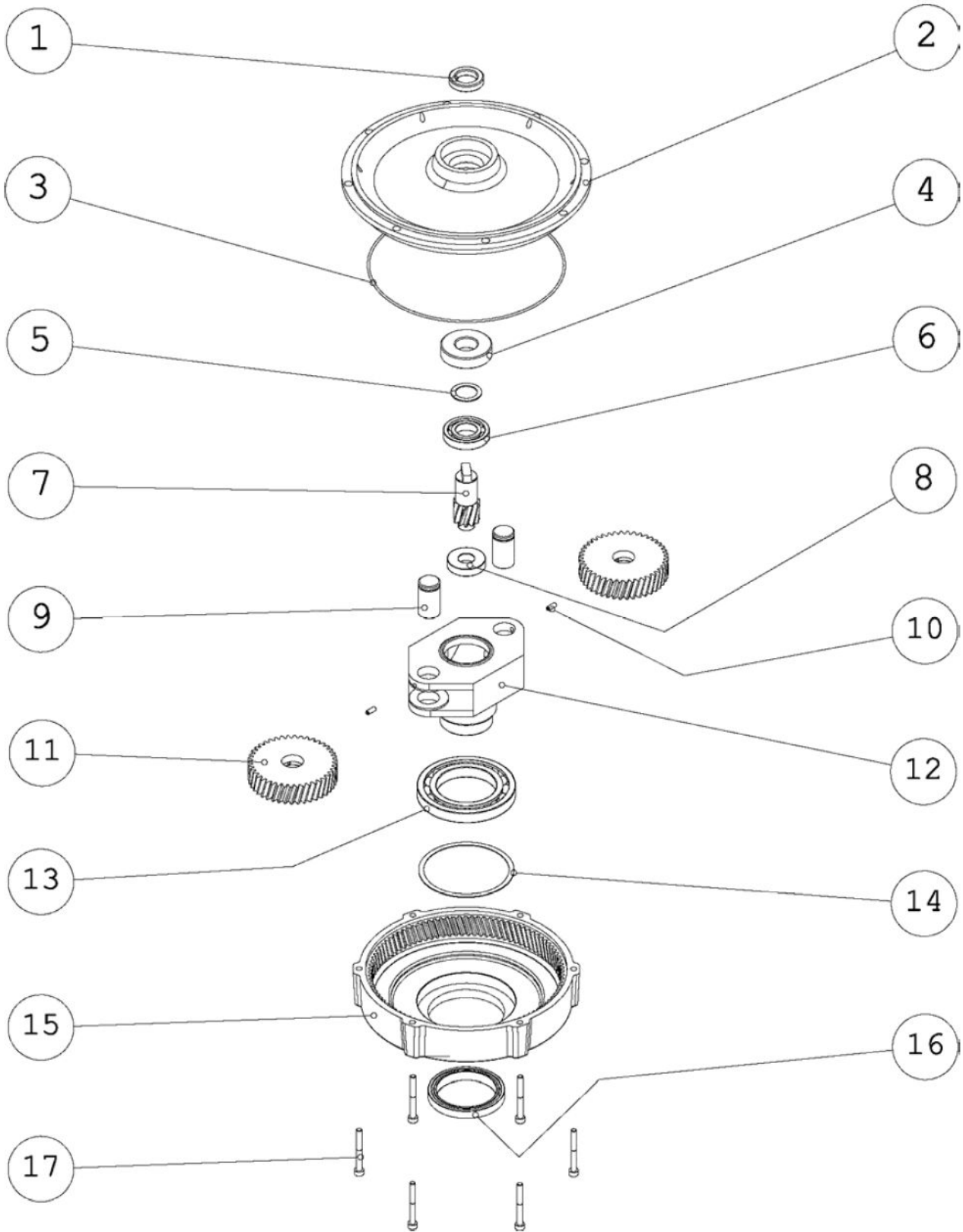
6 Stator



6 Stator

Item no.	Article no.	Description	Quantity
1	014854	Safety washer I32 DIN 472	1
2		Washer	1
3	014702	Ball-bearing 6002 2RS	1
4	021656	Stator C43 (230V/50Hz)	1
5	018417	Insulated disc small W1700	1
6	015483	Centrifugal switch	1
7	015481	Screw M 4x 12 DIN 84	2
8	015498	Protective rubber sleeve	1

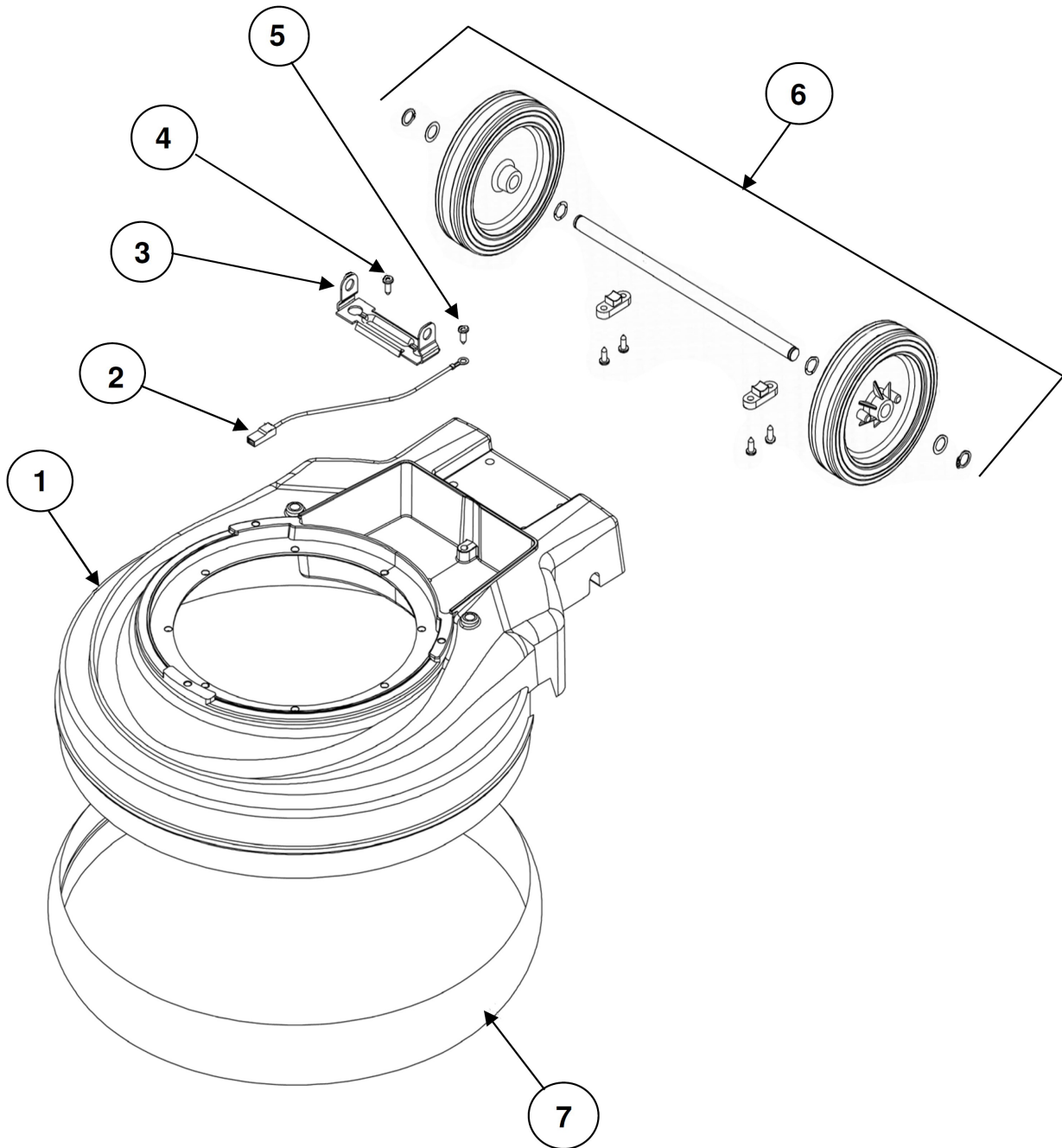
7 Gear



7 Gear

Item no.	Article no.	Description	Quantity
1	015507	Shaft sealing ring 20x32x7 W1700	1
2	033963	Cover transmission	1
3	018422	O-Ring	1
4	015489	Bearing E-20	1
5	014841	Shim ring 20x28x1 DIN 988	1
6	018425	Bearing 16-004 W1700	1
7	018424	Gear wheel W1700	1
8	018426	Bearing E.15 W1700	1
9	015508	Bolt	2
10	018219	Thread pin M4x10 DIN 914	2
11	015509	Gear wheel	2
12	018427	Gear holder W1700	1
13	018428	Bearing 16-011 W1700	1
14	015511	Ball bearing washer KAS 90	1
15	018429	Gear block housing W1700	1
16	015510	Shaft sealing ring 55x70x8 W1700	1
17	060220	Cylinder head screw M5x45 10.9 micro	6

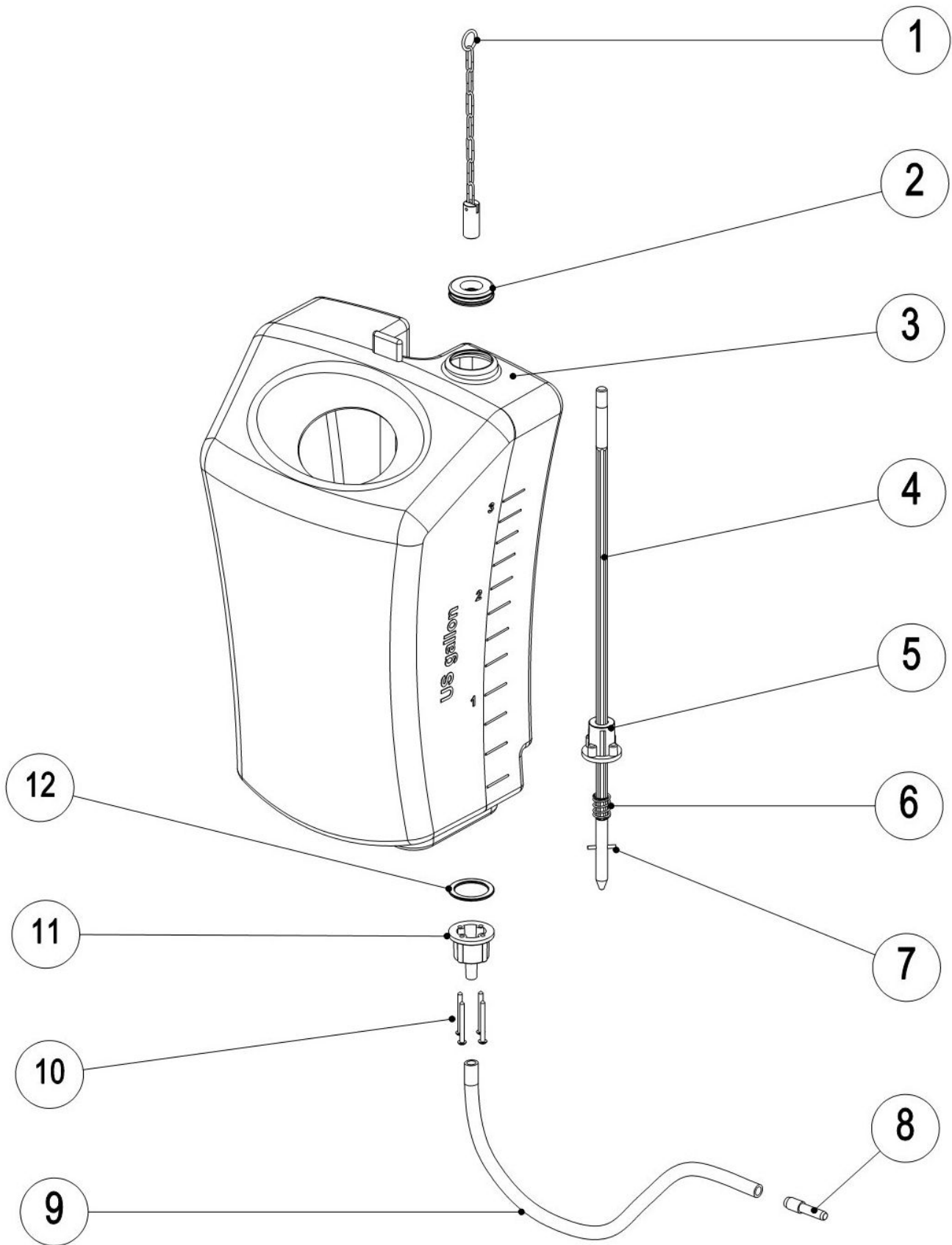
8 Chassis / Machine case



8 Chassis / Machine case

Item no.	Article no.	Description	Quantity
1	060273	Housing bottom part dark grey 2010	1
2	060255	Ground wire Samba 2010	1
3	060256	Holdig device condenser Samba 2010	1
4	015504	Lens head screw M5x10 DIN 7985	1
5		Screw 5x6	1
6	083950	Spare metal wheel set Samba	1
7	015358	Rubber bumpers light grey	1

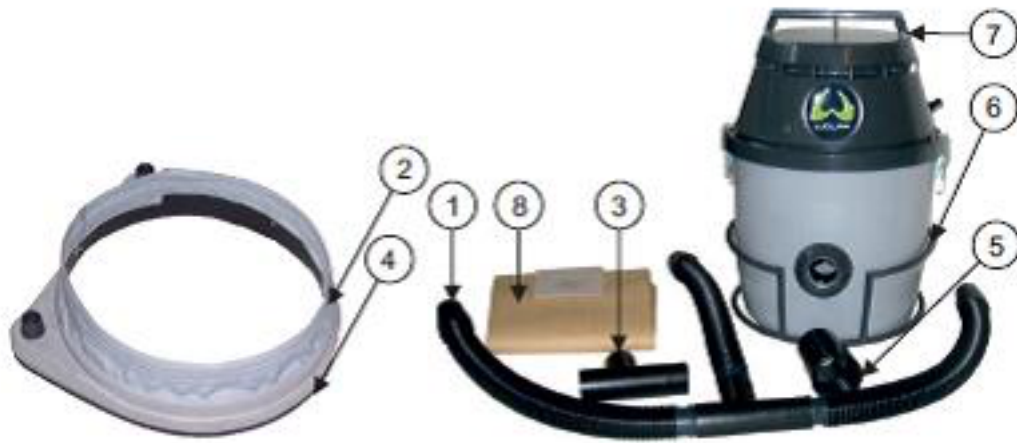
9 Cleaning tank



9 Cleaning tank

Item no.	Article no.	Description	Quantity
1	072889	Chain f.cleaning tank Samba	1
2		Sealing Top	1
3		Tank housing	1
4		Rod	1
5	017493	Half valve for W1700	1
6		Spring	1
7		Pin	1
8	018433	end fitting f.hose cleaning tank	1
9	018647	Hose for tank	1
10		Screw	4
11	017048	Lower half of valve	1
12		Sealing below	1
13	059831	Cleaning tank complete Samba 2010	1

10 Suction kit



10 Suction kit

Item no.	Article no.	Description	Quantity
1	014038	Hose kit with T adapter	1
2	014039	Suction ring with sealing shell	1
3	015352	T-piece exhaust 390	1
4	015353	Brush ring f. suction kit	1
5	015354	Connecting piece f.exhaust 390	1
6	015355	Basket for Vacuum Samba/Tango	1
7	035082	Vacuum cleaner 230V/50Hz Samba/Tango	1
8	037299	Paper filter bags 80cm f.13503 5p/PU	1

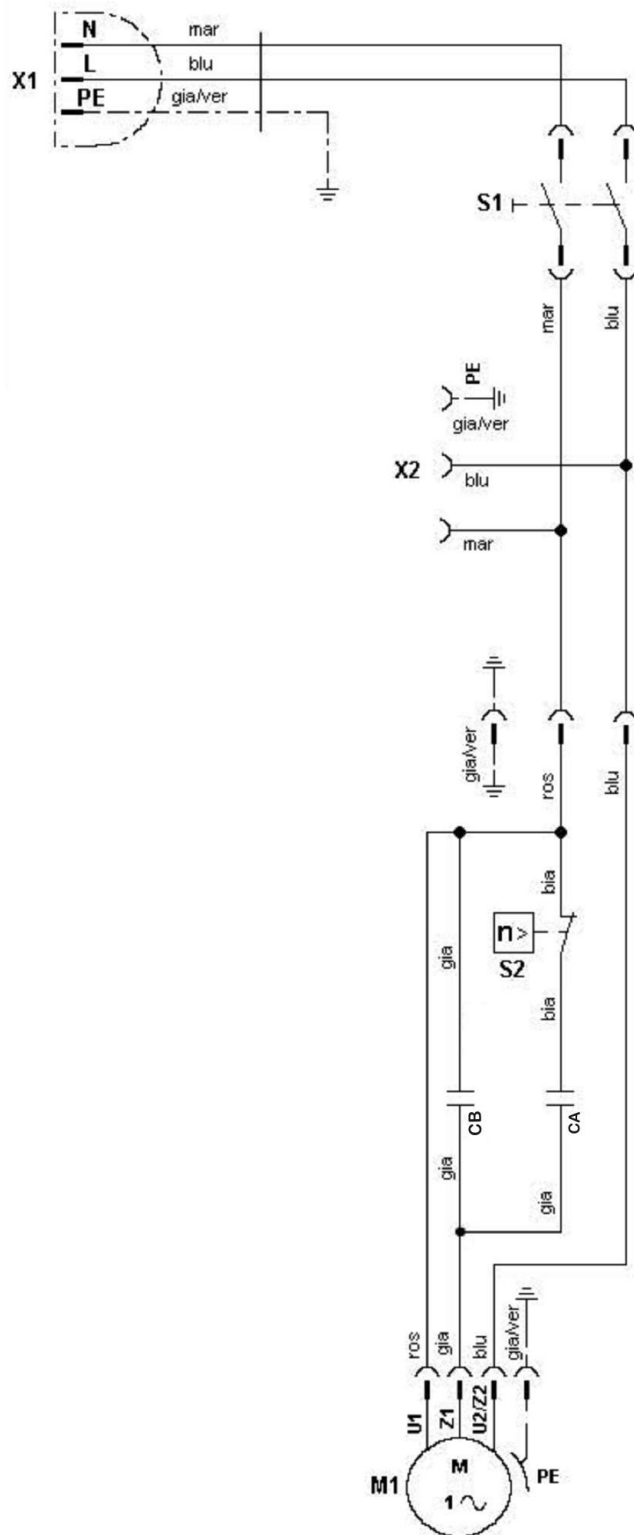
11 Suction kit with bend



11 Suction kit with bend

Item no.	Article no.	Description	Quantity
1	035082	Vacuum cleaner 230V/50Hz Samba/Tango	1
2	073385	Connection hose cpl.	1
3	072462	Dust seal with elbow Samba	1
4	078742	Brush f. dust seal with elbow	1
5	072465	Bumper dust proof ring Samba	1

12 Electronic circuit diagram



GB	CB OPERATING CAPACITOR
	CA START CAPACITOR
	S2 TACHOMETRIC START CAPACITOR
	M1 BRUSH ELECTRIC MOTOR
	S1 MAIN POWER SWITCH
	X1 POWER PLUG
X2 AUXILIAR SOCKET	

ros	rosso	red
bia	bianco	white
mar	marrone	brown
blu	blu	blue
gia	giallo	yellow
ver	verde	green

12 Electronic circuit diagram
