



## spare parts list Fräsmaster 18V EU

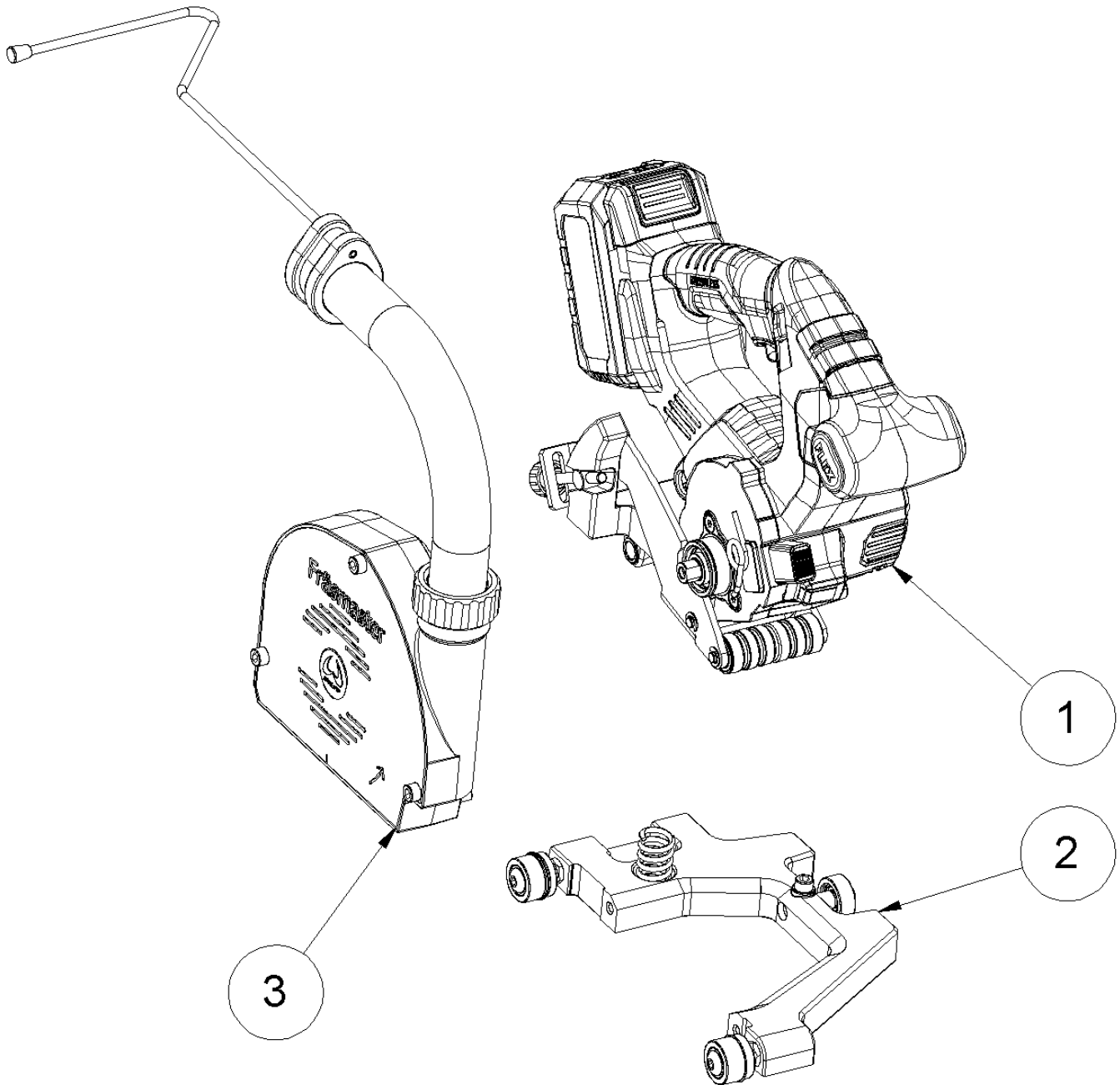


# Table of contents

---

1 Fräsmaster 18V EU (0001/2020 - heute)	3
1 Motor	5
2 Wheel chassis	7
3 Cover	9
4 Accessory	11

# 1 Fräsmaster 18V EU (0001/2020 - heute)

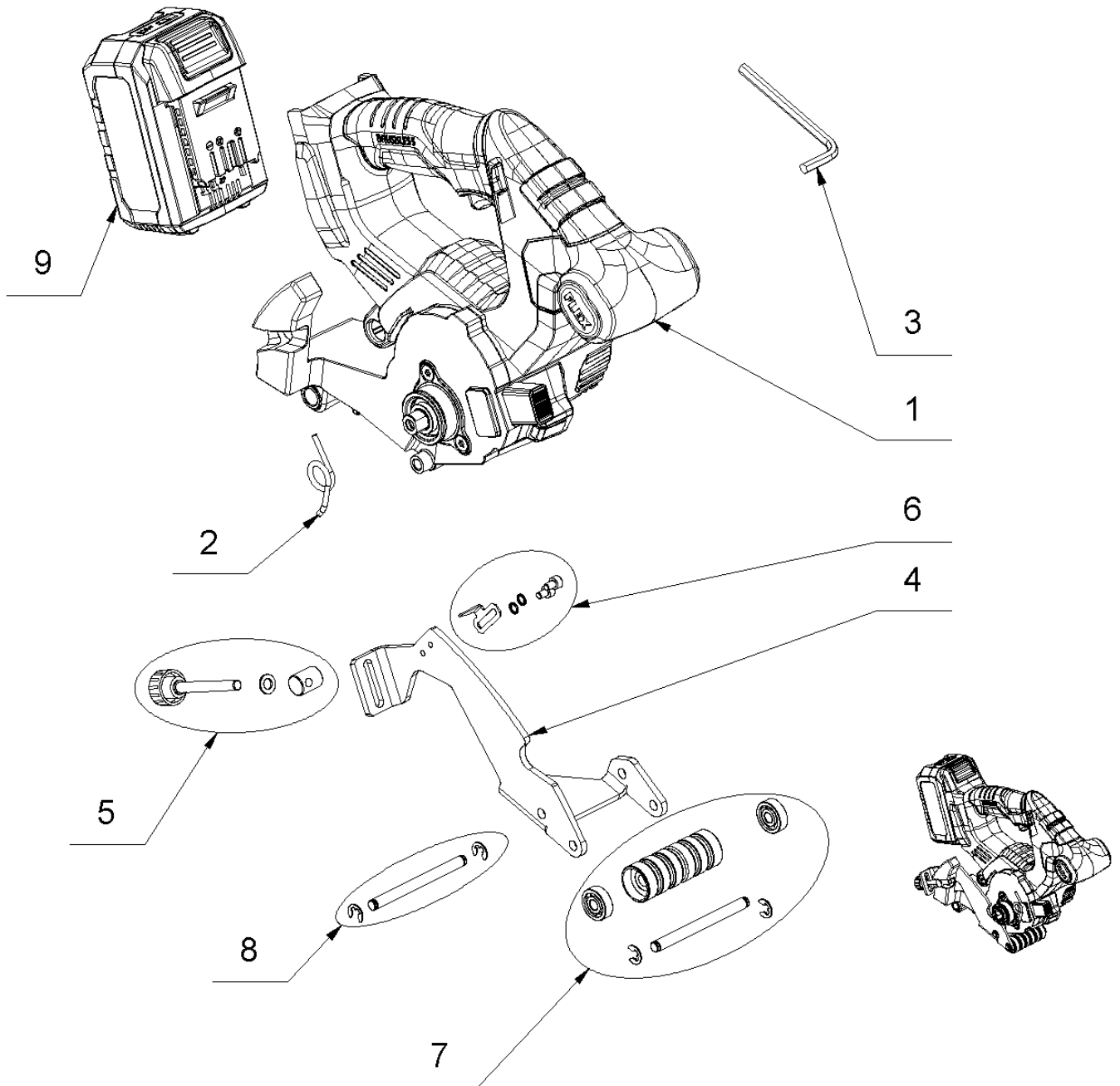


## 1 Fräsmaster 18V EU (0001/2020 - heute)

---

Item no.	Article no.	Description
1	01_01_089660	Motor
2	01_02_089660	Wheel chassis
3	01_03_089660	Cover
4	01_04_089660	Accessory

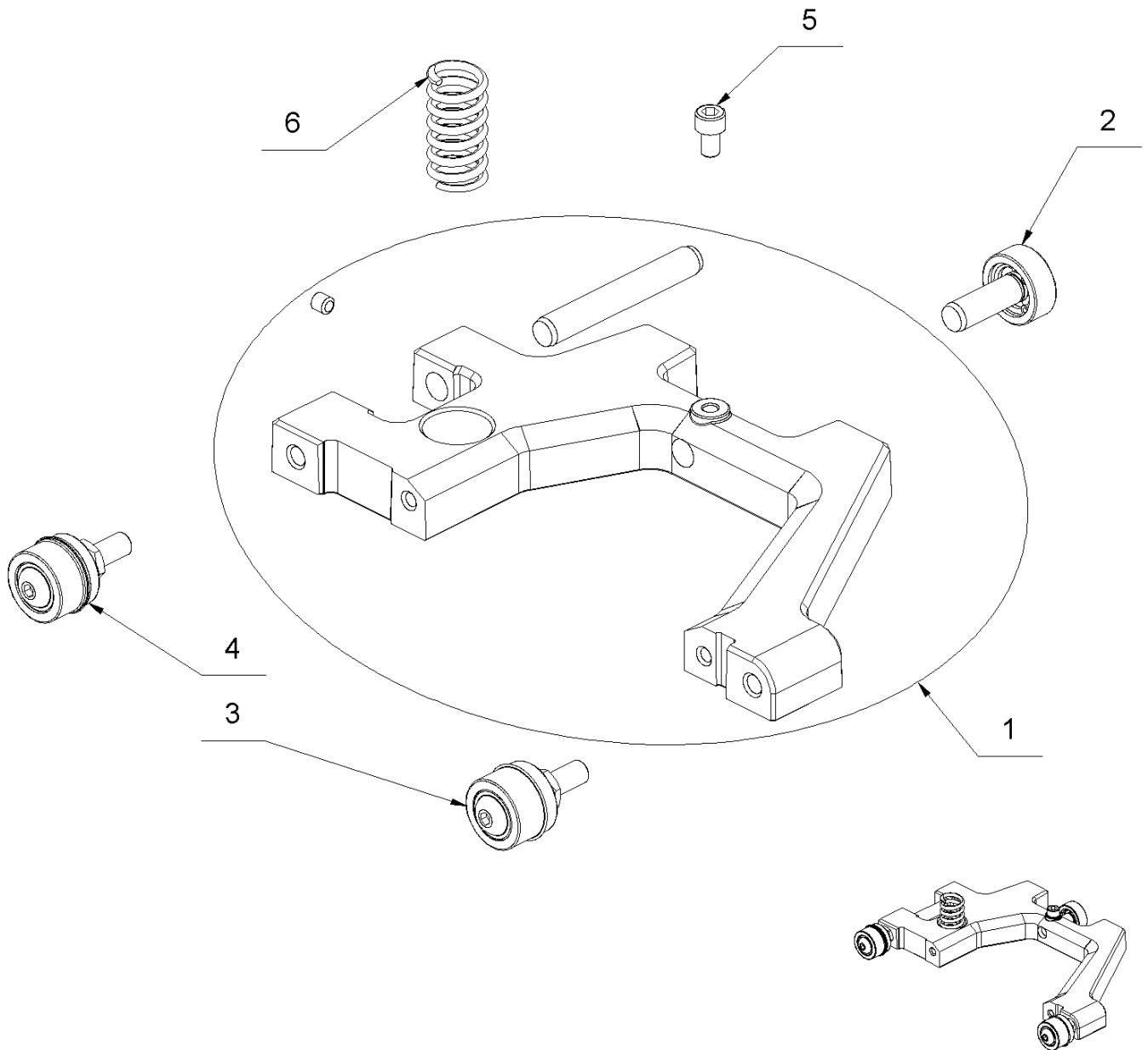
# 1 Motor



## 1 Motor

Item no.	Article no.	Description	Quantity
1	155198	Motor Fräsmaster 18V wolffgrün	1
2	089545	Leg spring Ø19x23x23Ø3	1
3	014956	Hexagonal screw key SW5 DIN 911	1
4	089505	Swing arm Fräsmaster 18V	1
5	162998	Knurled screws set Fräsmaster 18V	1
6	162996	Pointer Set Fräsmaster 18V	1
7	162115	Feeler roller Set Fräsmaster 18V	1
8	162997	Axle Set Fräsmaster 18V	1
9	010930	Battery pack 18V/5Ah/Li 90Wh	1

## 2 Wheel chassis



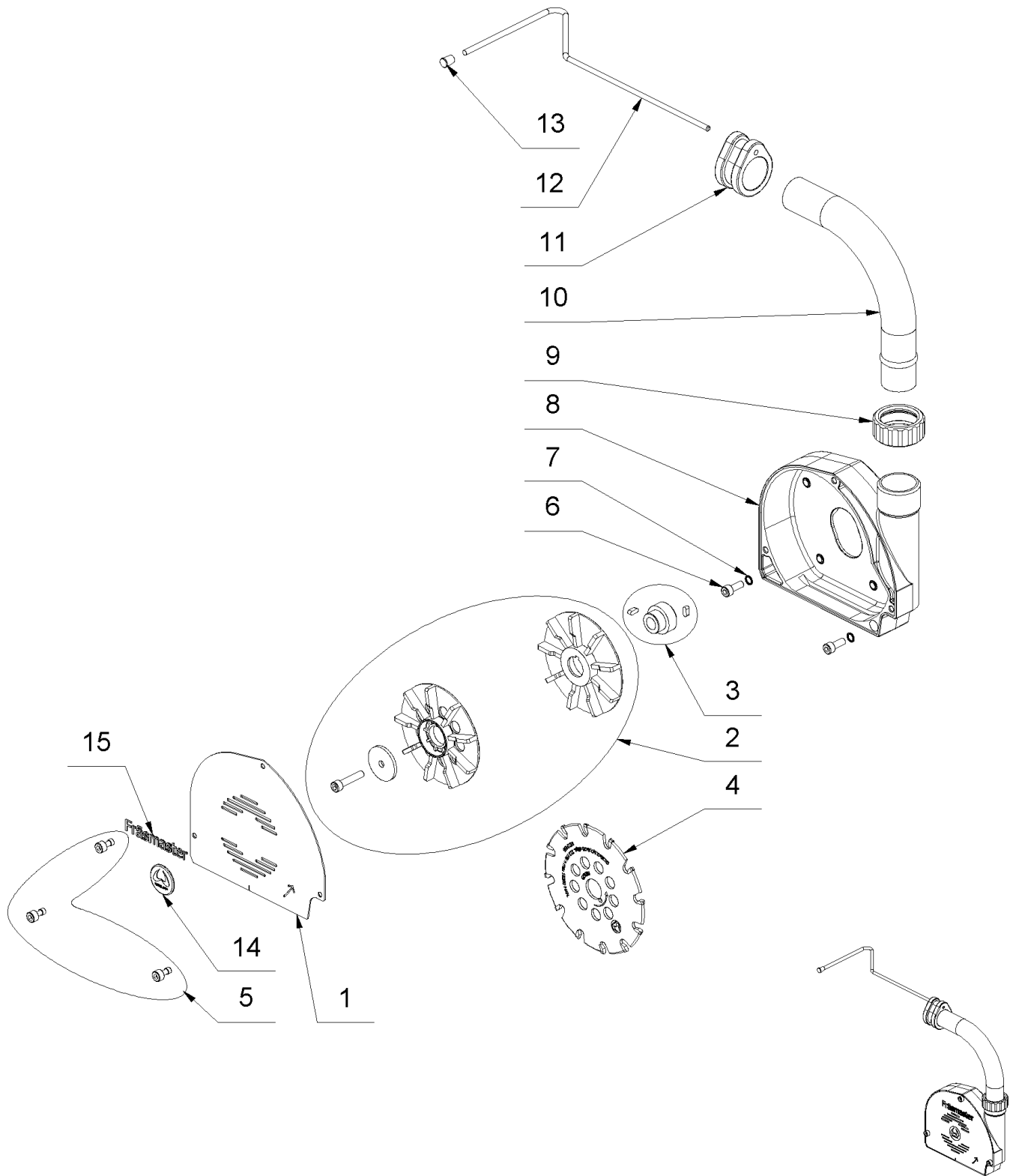
## 2 Wheel chassis

---

Item no.	Article no.	Description	Quantity
1	162994	Base plate Set milling master 18V	1
2	162121	Roller complete milling master 18V	1
3	162120	Cutter roller complete Fräsmaster 18V	1
4	162132	Guide roller complete milling master 18V	1
5	017697	Cylinder head screw M6x10 DIN 912	1
6	089544	Pressure spring Ø20x40xØ3	1



# 3 Cover



### 3 Cover

Item no.	Article no.	Description	Quantity
1	089583	Cover plate Fräsmaster 18V green	1
2	163000	Fan wheel set Fräsmaster 18V	1
3	162999	Tool flange complete Fräsmaster 18V	1
4	089623	Grooving disc130x20x3,5 Z12 fräsm.18V	1
5	162123	Thin shank screw Set M6x12 acc. DIN912	1
6	014729	Cylinder head screw M 6x16 DIN 912	2
7	014859	Schnorr washer M6	2
8	089536	Hood Fräsmaster 18V	1
9	085516	Swivle nut elbow	1
10	010397	Elbow Fräsmaster 18V	1
11	017626	Chip bag flange Fräsmaster	1
12	065741	Shackle short	1
13	017438	End cap	1
14	125896	Label Wolff 3D Ø30mm	1
15	129790	Etikett Fräsmaster	1

## 4 Accessory

Item no.	Article no.	Description	Quantity
1	015315	Hearing protectors	1
2	015316	Protective goggles	1
3	033865	Carrying case Gr.4 315x396x296	1
4	010763	Insert Systainer Fräsmaster18V	1
5	010581	Dust bag black Mastergroover 18V	1
6	010930	Battery pack 18V/5Ah/Li 90Wh	1
7	010939	Charger Akku.18V 230V/50Hz	1
8	089623	Grooving disc130x20x3,5 Z12 fräsm.18V	1
9	089625	Cutter blade 130X20X2,8 Z12 Fräsm.18V	1
10	089658	PCD-blade 130x20x3,5 Z6 Mastergroover18V	1