



spare parts list Fräsmaster 230V EU



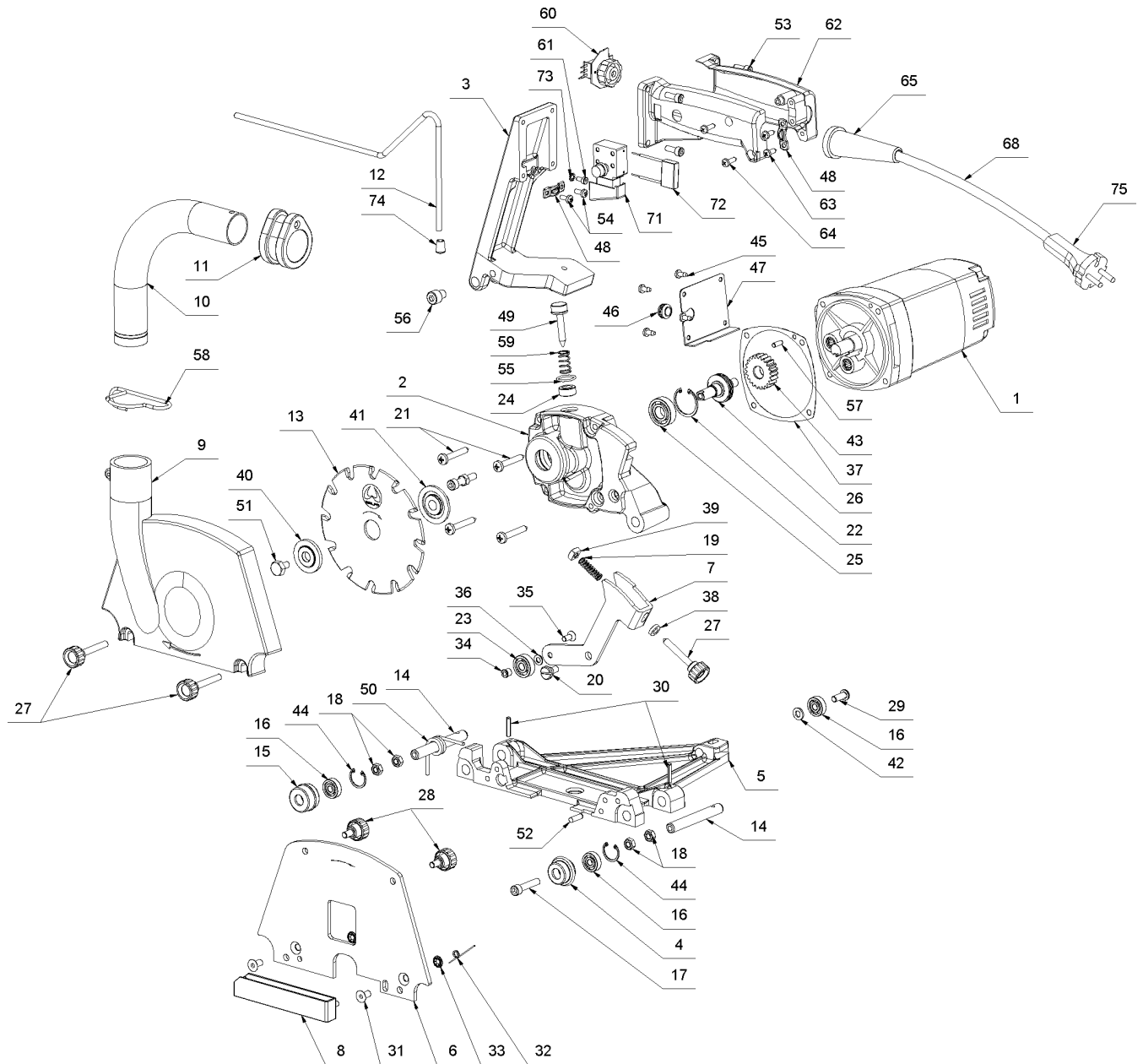
Table of contents

1 Fräsmaster (0001/2001-0773/2003)	3
1 Machine	4
2 Motor	8
3 Accessories	11
4 Circuit diagram	12
2 Fräsmaster (0774/2003-2312/2010)	14
1 Machine	15
2 Motor	19
3 Accessories	22
4 Circuit diagram	23
3 Fräsmaster (2313/2010-2957/2014)	25
1 Machine	26
2 Motor	30
3 Accessories	33
4 Circuit diagram	34
4 Fräsmaster (2958/2014-3620/2018)	36
1 Machine	37
2 Motor	41
3 Accessories	44
4 Circuit diagram	45
5 Fräsmaster (3621/2018-heute)	47
1 Machine	48
2 Motor	52
3 Accessories	55
4 Circuit diagram	56

1 Fräsmaster (0001/2001-0773/2003)

Item no.	Article no.	Description
1	01_01_013305	Machine
2	01_02_013305	Motor
3	01_03_013305	Accessories
4	01_04_013305	Circuit diagram

1 Machine



1 Machine

Item no.	Article no.	Description	Quantity
1	017572	Motor cpl.100-115V 50/60Hz Fräsmaster	1
1	017573	Motor cpl.230V Fräsmaster	1
2	017863	Motor bearing Fräsmaster	1
3	017017	Handle	1
4	015258	Guiding roll SM1200	1
5	017871	Wheel chassisFräsmaster	1
6	017904	Front panel Fräsmaster	1
7	017912	Adjustment crank Fräsmaster	1
8	017649	Span protection Fräsmaster	1
9	017864	Hood Fräsmaster SEE 10419	1
10	015517	Angle	1
11	017626	Chip bag flange Fräsmaster	1
12	065741	Shackle short	1
13	036275	Spare disc 130x20x3,3 rund Z12	1
14	017016	Axle	2
15	015264	Cuttingroll SM1200	1
16	017538	Ball bearing DIN625-626 6x19x6 2RS	3
17	017678	Cylinder head screw M6x30 DIN 912	2
18	014809	Hexagon nut M6 DIN 934	5
19	017750	Pressure spring D 162 / 9x36x1	1
20	014808	Flat head screw M6x5 DIN 923	1
21	017662	Selftapping convex head screw 5,5x50 DIN	4
22	017691	Circlip washer I28 DIN 472	1
23	017540	Ball bearing 627 2RS1	1
24	017755	Sealing ring A 6x16x7 NBR/3760	1
25	017539	Ball bearing 6001 2RS1	1
26	017926	Gear shaft Fräsmaster	1
27	017534	Knurled screw M6x40 DIN591	3
28	014879	Thumb screw M 6x10	2
29	017552	Lens head screw M 6x16 ISO 7380	1
30	017745	cylinder grooved pin 4x 20 DIN 1473	2
31	014755	Countersunk screw M6x12 DIN 7991 10.9	2
32	017771	leg spring	1
33	017776	Starlock Ø5 without cap	2

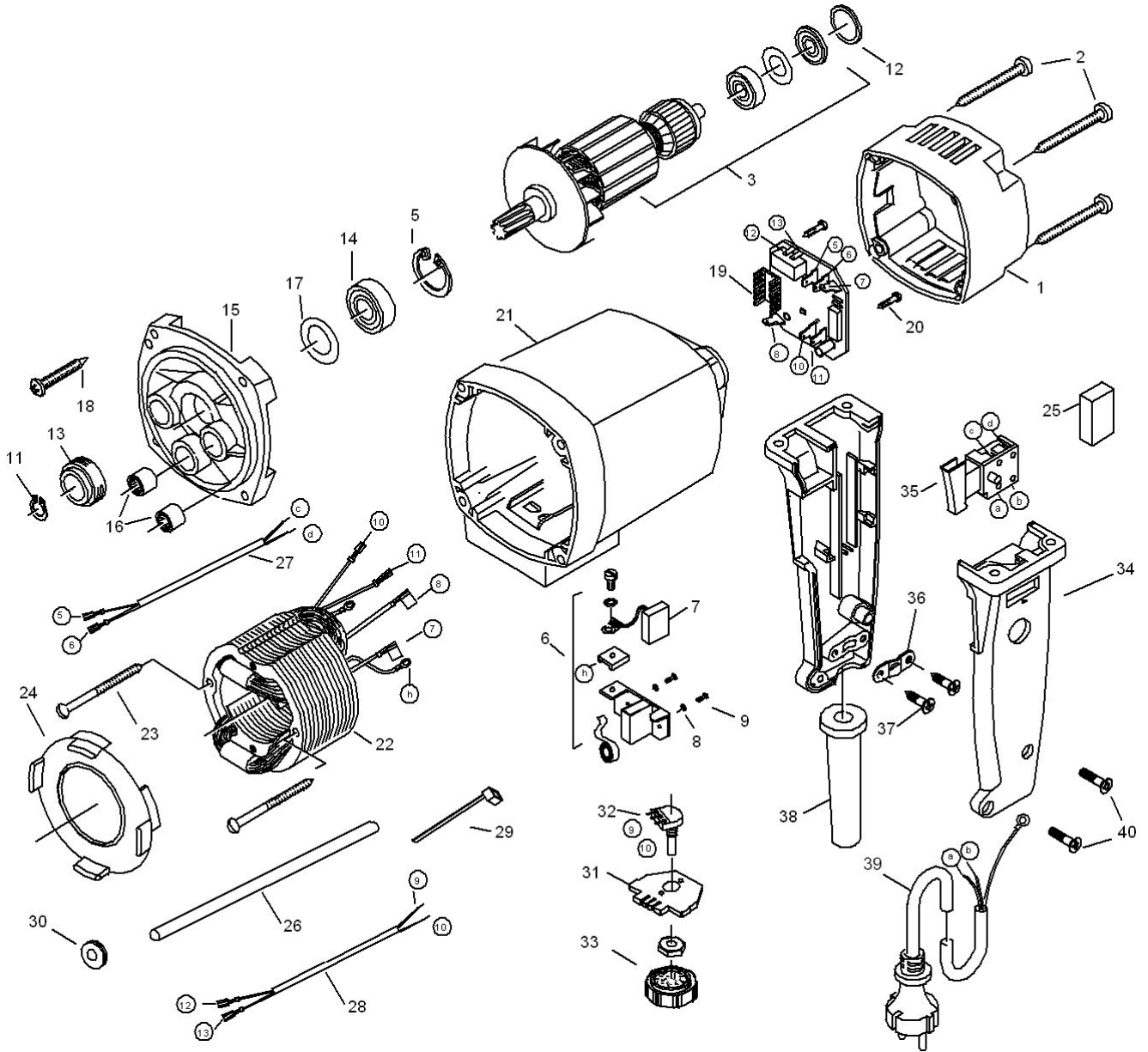
1 Machine

Item no.	Article no.	Description	Quantity
34	017753	Root of thread-running gear SM1200	1
35	017747	Countersunk screw M5x12 DIN 7991	1
36	017780	Washer M5 DIN 125 A	1
37	018793	Gear block sealing Fräsmaster	1
38	017713	Spacer Fräsmaster	1
39	014819	Square nut M6/557	1
40	034094	Tension flange	1
41	015311	Tool flange SM1200/SM800	1
42	014827	Washer M6 DIN 125 A	1
43	017412	Spindle wheel	1
44	017693	Safety washer I19 DIN 472	2
45	017730	Selftapping convex head screw.F/H4,2x9,5	4
46	018792	Bushing	1
47	017947	Bracket plate Joint grooving machine	1
48	017559	Cord grip	2
49	017959	Locking stud Fräsmaster	1
50	017690	Leg spring Fräsmaster	1
51	015320	Hexagon screw M6 left	1
52	017723	Cylindrical pin 5x 16 DIN 6325	1
53	017742	Cylinder head screw M 5x14 DIN 912	4
54	014804	Lens head screw M4x10 DIN 7985	2
55	015278	O-ring for locking pin Fräsmaster	1
56	014732	Cylinder head screw M8x10 DIN 912	1
57	017740	Cylindrical pin 4x12 DIN 6325	1
58	017434	retaining spring	1
59	017749	Pressure spring 10x42,50x0,8	1
60	018693	Potientometer Fräsmaster	1
61	017473	Cylinder head screw M4x8 DIN 84 brass	1
62	019023	Handle set	1
63		Metal screw	4
64	019540	Pan-head tapping screw 4.2x16 DIN 7981 C	4
65	019024	Cable bushing Fräsmaster/Junior	1
68	071005	El.cord 3G1,5 ² x4m without plug	1
68	019164	Câble d'alimentation 3G1.5x4m noir fiche	1

1 Machine

Item no.	Article no.	Description	Quantity
71	016949	Mounting switch Fräsmaster/Fräsjunior	1
72	018771	Anti-interference capacitor	1
73	017663	Tooth lock washer 4.3 Form A DIN 6797	1
74	017438	End cap	1
75	048554	Plug 3-pole 10A AUS	1
75	019170	Plug 3-pol.230V SK1 UK	1
75	059184	Plug Adapter 3-pole 230V CH T12	1
75	078966	Adapter Plug 3-pol. 230V 10A DK	1

2 Motor



2 Motor

Item no.	Article no.	Description	Quantity
1	019030	Cap (Motor) Fräsmaster	1
2		Metal screw	4
3	017413	Armature cpl. 230V Fräsmaster	1
5	012451	Locking ring motor AMW 1500/1501	1
6		brush holder compl.	2
7	014869	Carbon brush Fräsmaster/Fräsjunior	2
8		spring washer	4
9		thread grooving screw	4
11	053484	Circlip A14 DIN 471	1
12	080558	O-Ring 22x2,5	1
13	019031	Sealing Fräsmaster	1
14	049765	Ball bearing 6902 2RS	1
15	012244	Getriebelagerschild Motor AMW 1500/1501	1
16		Needle bushing	1
17	012500	Shim ring motor AMW 1500/1501	1
18		Metal screw	1
19	017411	Plate 230V motor Fräsmaster	1
20		Metal screw	2
21	077012	Motor housing 115V/230V Fräsjunior	1
22	019027	Magnetic field cpl. Joint grooving machi	1
23		Metal screw	2
24		Air ring	1
25	018771	Anti-interference capacitor	1
26		Isolation tube	11
27	011988	Switch wire AMW 1501 230V	1
28			
29			1
30		Wire protecting sleeve	1
31	019025	Houlding device Fräsmaster	1
32	018693	Potientometer Fräsmaster	1
33	019026	Thumb bolt Fräsmaster	1
34	019023	Handle set	1
35	016949	Mounting switch Fräsmaster/Fräsjunior	1
36	017559	Cord grip	1

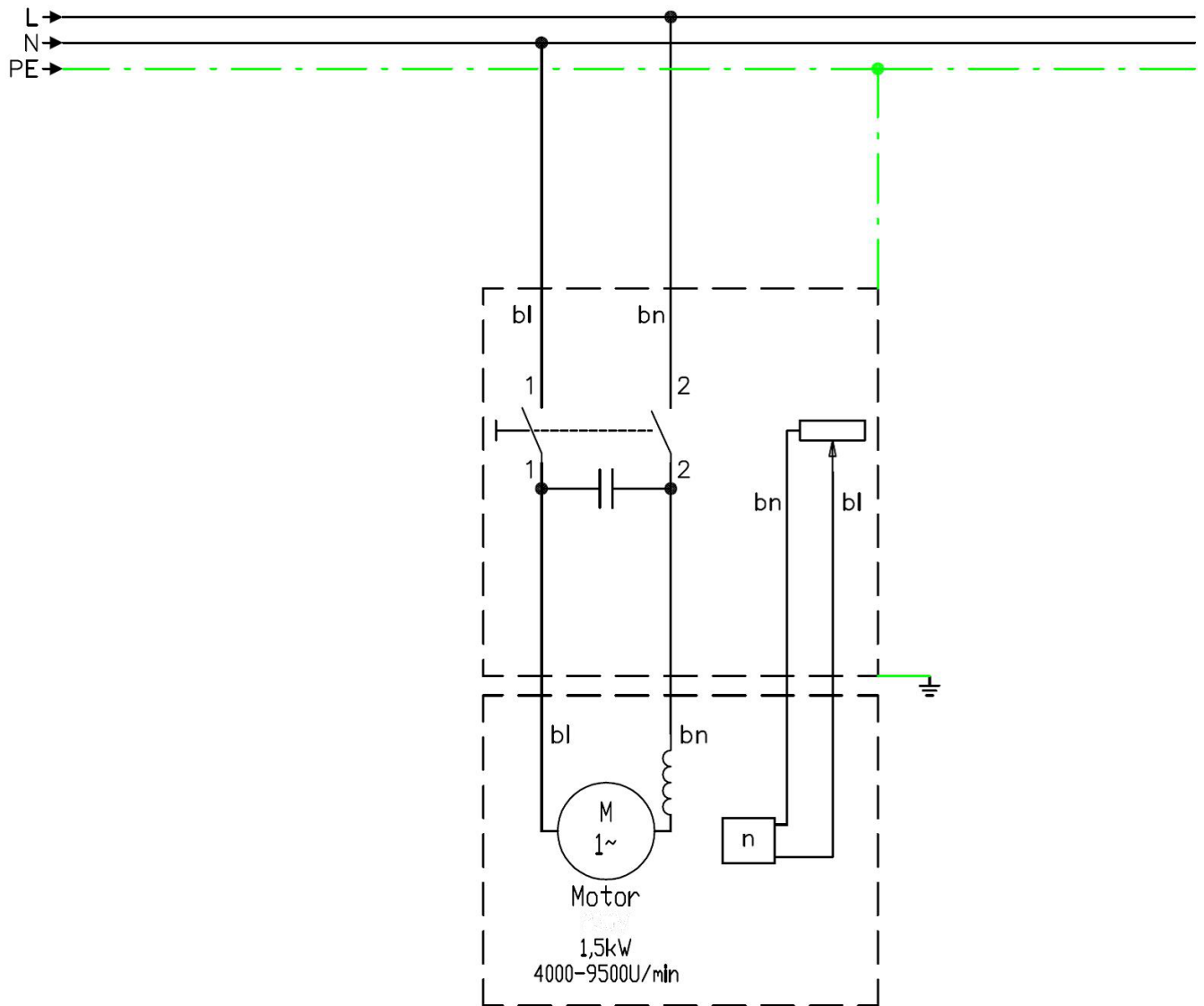
2 Motor

Item no.	Article no.	Description	Quantity
37		Metal screw	2
38	019024	Cable bushing Fräsmaster/Junior	1
39	019164	Câble d'alimentation 3G1.5x4m noir fiche	1
40	019540	Pan-head tapping screw 4.2x16 DIN 7981 C	2

3 Accessories

Item no.	Article no.	Description	Quantity
1	015315	Hearing protectors	1
2	015316	Protective goggles	1
3	017612	Double fork wrench sw10/13 mm	1
4	014956	Hexagonal screw key SW5 DIN 911	1
5	068974	Dust bag short white SEE 10581	1
6	013459	Elliptic grooving disc130x20x3,8ellipZ12	1
7	013461	Combi grooving disc130x20x5 ellip.Z12	1
8	013460	Elliptic dia-grooving disc	1
9	021208	HM grooving disc130x20x3,3 rund Z12 Set	1

4 Circuit diagram

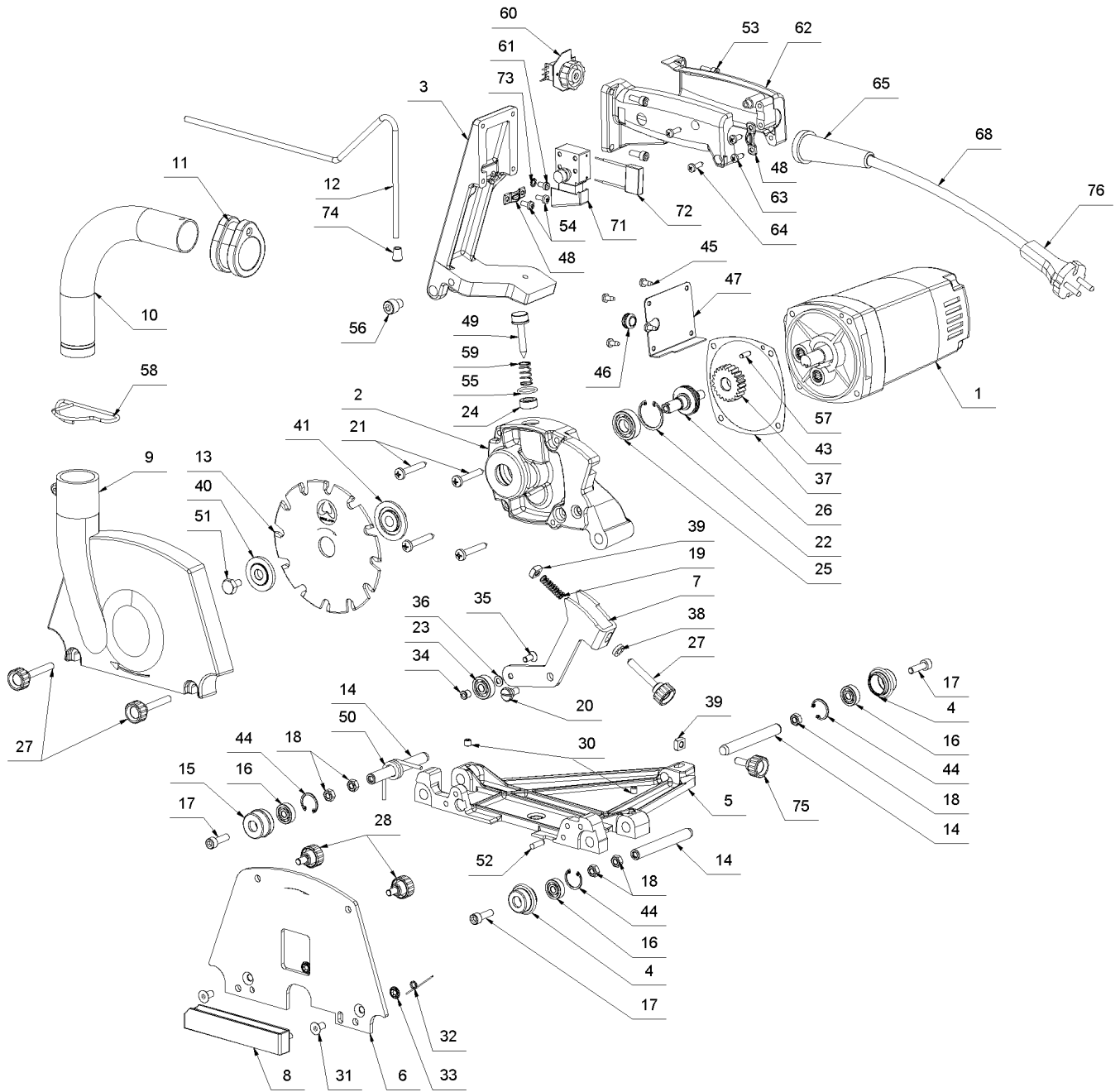


4 Circuit diagram

2 Fräsmaster (0774/2003-2312/2010)

Item no.	Article no.	Description
1	02_01_013305	Machine
2	01_02_013305	Motor
3	01_03_013305	Accessories
4	01_04_013305	Circuit diagram

1 Machine



1 Machine

Item no.	Article no.	Description	Quantity
1	017572	Motor cpl.100-115V 50/60Hz Fräsmaster	1
1	017573	Motor cpl.230V Fräsmaster	1
2	017863	Motor bearing Fräsmaster	1
3	017017	Handle	1
4	015258	Guiding roll SM1200	2
5	017871	Wheel chassisFräsmaster	1
6	017904	Front panel Fräsmaster	1
7	017912	Adjustment crank Fräsmaster	1
8	017649	Span protection Fräsmaster	1
9	017864	Hood Fräsmaster SEE 10419	1
10	015517	Angle	1
11	017626	Chip bag flange Fräsmaster	1
12	065741	Shackle short	1
13	036275	Spare disc 130x20x3,3 rund Z12	1
14	017447	Parallel pin 10x 80 DIN 7979	3
15	015264	Cuttingroll SM1200	1
16	017538	Ball bearing DIN625-626 6x19x6 2RS	3
17	014730	Cylinder head screw M 6x20 DIN 912	3
18	014809	Hexagon nut M6 DIN 934	5
19	017750	Pressure spring D 162 / 9x36x1	1
20	014808	Flat head screw M6x5 DIN 923	1
21	017662	Selftapping convex head screw 5,5x50 DIN	4
22	017691	Circlip washer I28 DIN 472	1
23	017540	Ball bearing 627 2RS1	1
24	017755	Sealing ring A 6x16x7 NBR/3760	1
25	017539	Ball bearing 6001 2RS1	1
26	017926	Gear shaft Fräsmaster	1
27	017534	Knurled screw M6x40 DIN591	3
28	014879	Thumb screw M 6x10	2
30	017531	Headless pin M6x6 DIN 913	2
31	014755	Countersunk screw M6x12 DIN 7991 10.9	2
32	017771	leg spring	1
33	017776	Starlock Ø5 without cap	2
34	017753	Root of thread-running gear SM1200	1

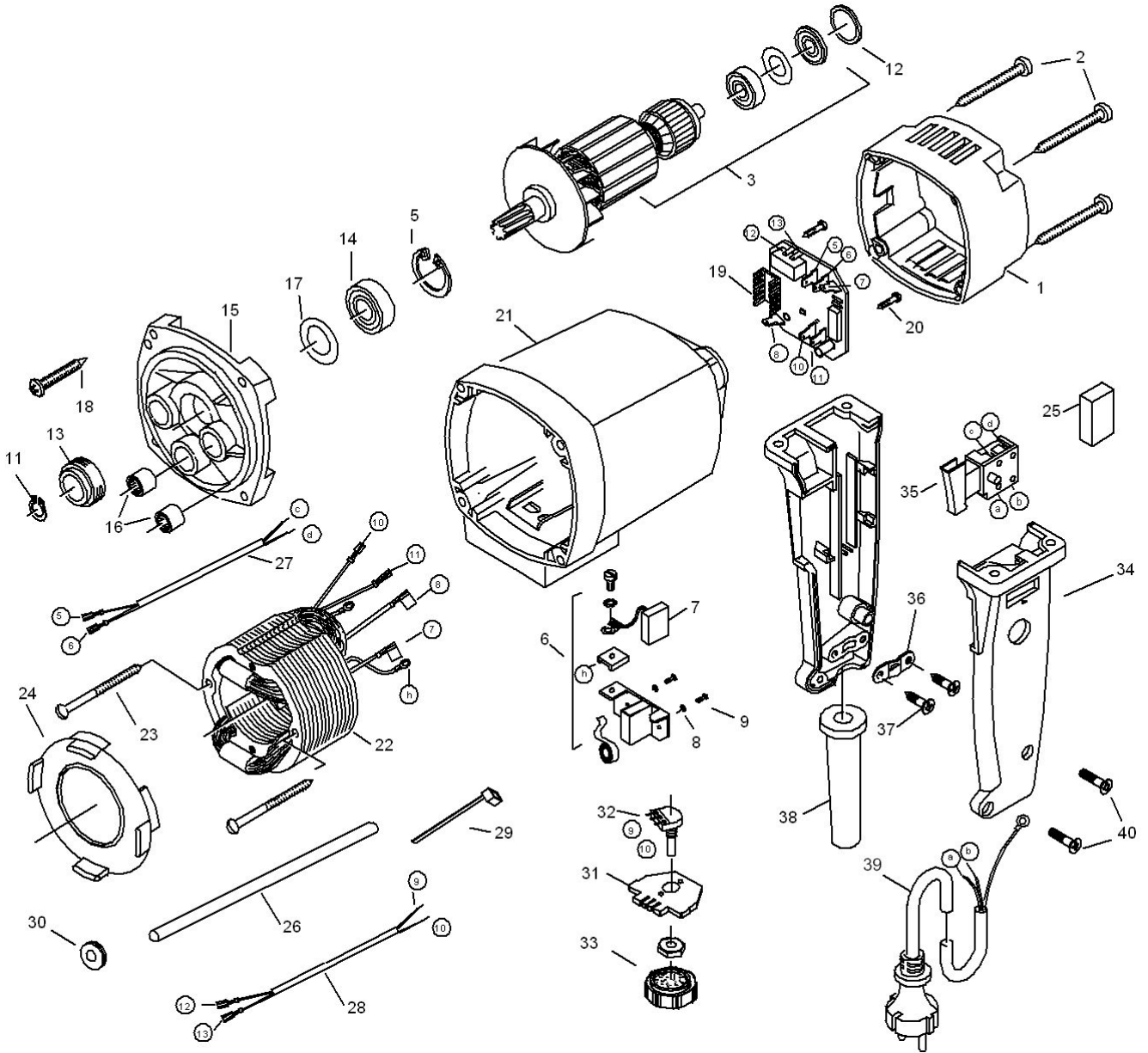
1 Machine

Item no.	Article no.	Description	Quantity
35	017747	Countersunk screw M5x12 DIN 7991	1
36	017780	Washer M5 DIN 125 A	1
37	018793	Gear block sealing Fräsmaster	1
38	017713	Spacer Fräsmaster	1
39	014819	Square nut M6/557	2
40	034094	Tension flange	1
41	015311	Tool flange SM1200/SM800	1
43	017412	Spindle wheel	1
44	017693	Safety washer I19 DIN 472	3
45	017730	Selftapping convex head screw.F/H4,2x9,5	4
46	018792	Bushing	1
47	017947	Bracket plate Joint grooving machine	1
48	017559	Cord grip	2
49	017959	Locking stud Fräsmaster	1
50	017690	Leg spring Fräsmaster	1
51	015320	Hexagon screw M6 left	1
52	017723	Cylindrical pin 5x 16 DIN 6325	1
53	017742	Cylinder head screw M 5x14 DIN 912	4
54	014804	Lens head screw M4x10 DIN 7985	2
55	015278	O-ring for locking pin Fräsmaster	1
56	014732	Cylinder head screw M8x10 DIN 912	1
57	017740	Cylindrical pin 4x12 DIN 6325	1
58	017434	retaining spring	1
59	017749	Pressure spring 10x42,50x0,8	1
60	018693	Potentometer Fräsmaster	1
61	017473	Cylinder head screw M4x8 DIN 84 brass	1
62	019023	Handle set	1
63		Metal screw	2
64	019540	Pan-head tapping screw 4.2x16 DIN 7981 C	4
65	019024	Cable bushing Fräsmaster/Junior	1
68	019164	Câble d'alimentation 3G1.5x4m noir fiche	1
68	071005	El.cord 3G1,5²x4m without plug	1
71	016949	Mounting switch Fräsmaster/Fräsjunior	1
72	018771	Anti-interference capacitor	1

1 Machine

Item no.	Article no.	Description	Quantity
73	017663	Tooth lock washer 4.3 Form A DIN 6797	1
74	017438	End cap	1
75	018760	Knurled screw M6x16	1
76	048554	Plug 3-pole 10A AUS	1
76	019170	Plug 3-pol.230V SK1 UK	1
76	059184	Plug Adapter 3-pole 230V CH T12	1
76	078966	Adapter Plug 3-pol. 230V 10A DK	1

2 Motor



2 Motor

Item no.	Article no.	Description	Quantity
1	019030	Cap (Motor) Fräsmaster	1
2		Metal screw	4
3	017413	Armature cpl. 230V Fräsmaster	1
5	012451	Locking ring motor AMW 1500/1501	1
6		brush holder compl.	2
7	014869	Carbon brush Fräsmaster/Fräsjunior	2
8		spring washer	4
9		thread grooving screw	4
11	053484	Circlip A14 DIN 471	1
12	080558	O-Ring 22x2,5	1
13	019031	Sealing Fräsmaster	1
14	049765	Ball bearing 6902 2RS	1
15	012244	Getriebelagerschild Motor AMW 1500/1501	1
16		Needle bushing	1
17	012500	Shim ring motor AMW 1500/1501	1
18		Metal screw	1
19	017411	Plate 230V motor Fräsmaster	1
20		Metal screw	2
21	077012	Motor housing 115V/230V Fräsjunior	1
22	019027	Magnetic field cpl. Joint grooving machi	1
23		Metal screw	2
24		Air ring	1
25	018771	Anti-interference capacitor	1
26		Isolation tube	11
27	011988	Switch wire AMW 1501 230V	1
28			
29			1
30		Wire protecting sleeve	1
31	019025	Houlding device Fräsmaster	1
32	018693	Potientometer Fräsmaster	1
33	019026	Thumb bolt Fräsmaster	1
34	019023	Handle set	1
35	016949	Mounting switch Fräsmaster/Fräsjunior	1
36	017559	Cord grip	1

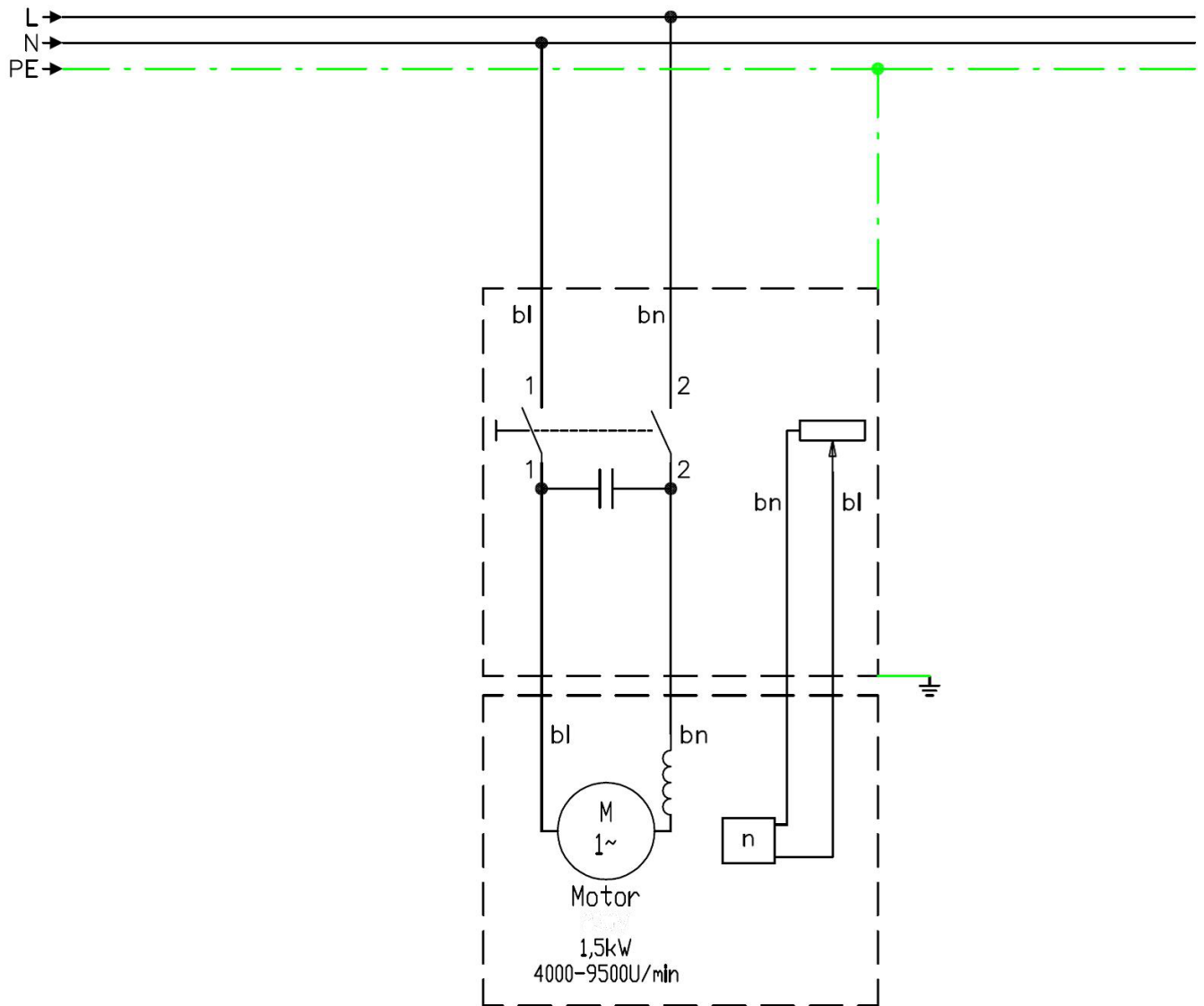
2 Motor

Item no.	Article no.	Description	Quantity
37		Metal screw	2
38	019024	Cable bushing Fräsmaster/Junior	1
39	019164	Câble d'alimentation 3G1.5x4m noir fiche	1
40	019540	Pan-head tapping screw 4.2x16 DIN 7981 C	2

3 Accessories

Item no.	Article no.	Description	Quantity
1	015315	Hearing protectors	1
2	015316	Protective goggles	1
3	017612	Double fork wrench sw10/13 mm	1
4	014956	Hexagonal screw key SW5 DIN 911	1
5	068974	Dust bag short white SEE 10581	1
6	013459	Elliptic grooving disc130x20x3,8ellipZ12	1
7	013461	Combi grooving disc130x20x5 ellip.Z12	1
8	013460	Elliptic dia-grooving disc	1
9	021208	HM grooving disc130x20x3,3 rund Z12 Set	1

4 Circuit diagram

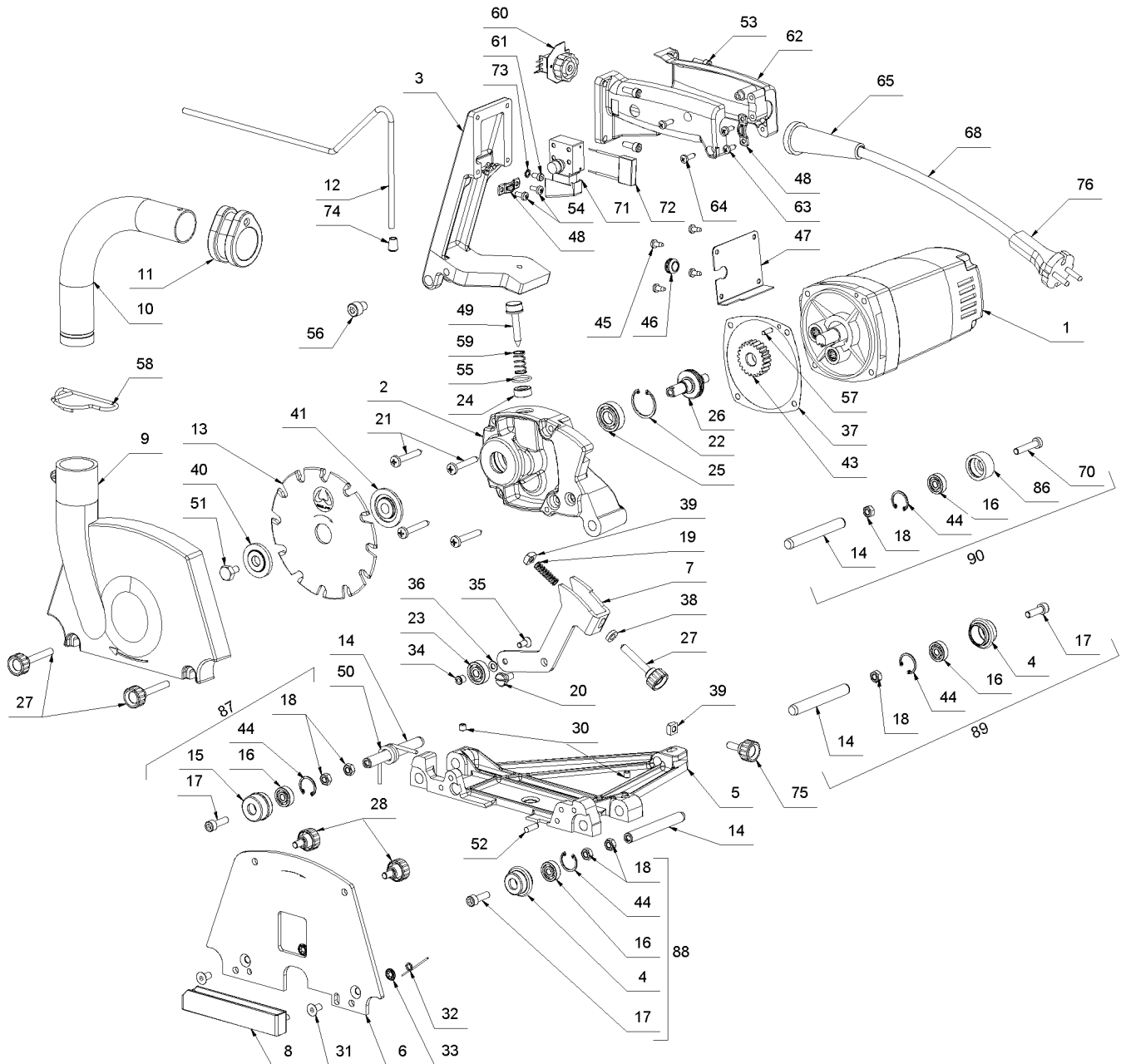


4 Circuit diagram

3 Fräsmaster (2313/2010-2957/2014)

Item no.	Article no.	Description
1	03_01_013305	Machine
2	01_02_013305	Motor
3	01_03_013305	Accessories
4	01_04_013305	Circuit diagram

1 Machine



1 Machine

Item no.	Article no.	Description	Quantity
1	017572	Motor cpl.100-115V 50/60Hz Fräsmaster	1
1	017573	Motor cpl.230V Fräsmaster	1
2	017863	Motor bearing Fräsmaster	1
3	017017	Handle	1
4	015258	Guiding roll SM1200	2
5	017871	Wheel chassisFräsmaster	1
6	017904	Front panel Fräsmaster	1
7	017912	Adjustment crank Fräsmaster	1
8	017649	Span protection Fräsmaster	1
9	017864	Hood Fräsmaster SEE 10419	1
10	015517	Angle	1
11	017626	Chip bag flange Fräsmaster	1
12	065741	Shackle short	1
13	036275	Spare disc 130x20x3,3 rund Z12	1
14	017447	Parallel pin 10x 80 DIN 7979	5
15	015264	Cuttingroll SM1200	1
16	017538	Ball bearing DIN625-626 6x19x6 2RS	5
17	014730	Cylinder head screw M 6x20 DIN 912	3
18	014809	Hexagon nut M6 DIN 934	7
19	017750	Pressure spring D 162 / 9x36x1	1
20	014808	Flat head screw M6x5 DIN 923	1
21	017662	Selftapping convex head screw 5,5x50 DIN	4
22	017691	Circlip washer l28 DIN 472	1
23	017540	Ball bearing 627 2RS1	1
24	017755	Sealing ring A 6x16x7 NBR/3760	1
25	017539	Ball bearing 6001 2RS1	1
26	017926	Gear shaft Fräsmaster	1
27	017534	Knurled screw M6x40 DIN591	3
28	014879	Thumb screw M 6x10	2
30	017531	Headless pin M6x6 DIN 913	2
31	014755	Countersunk screw M6x12 DIN 7991 10.9	2
32	017771	leg spring	1
33	017776	Starlock Ø5 without cap	2
34	017753	Root of thread-running gear SM1200	1

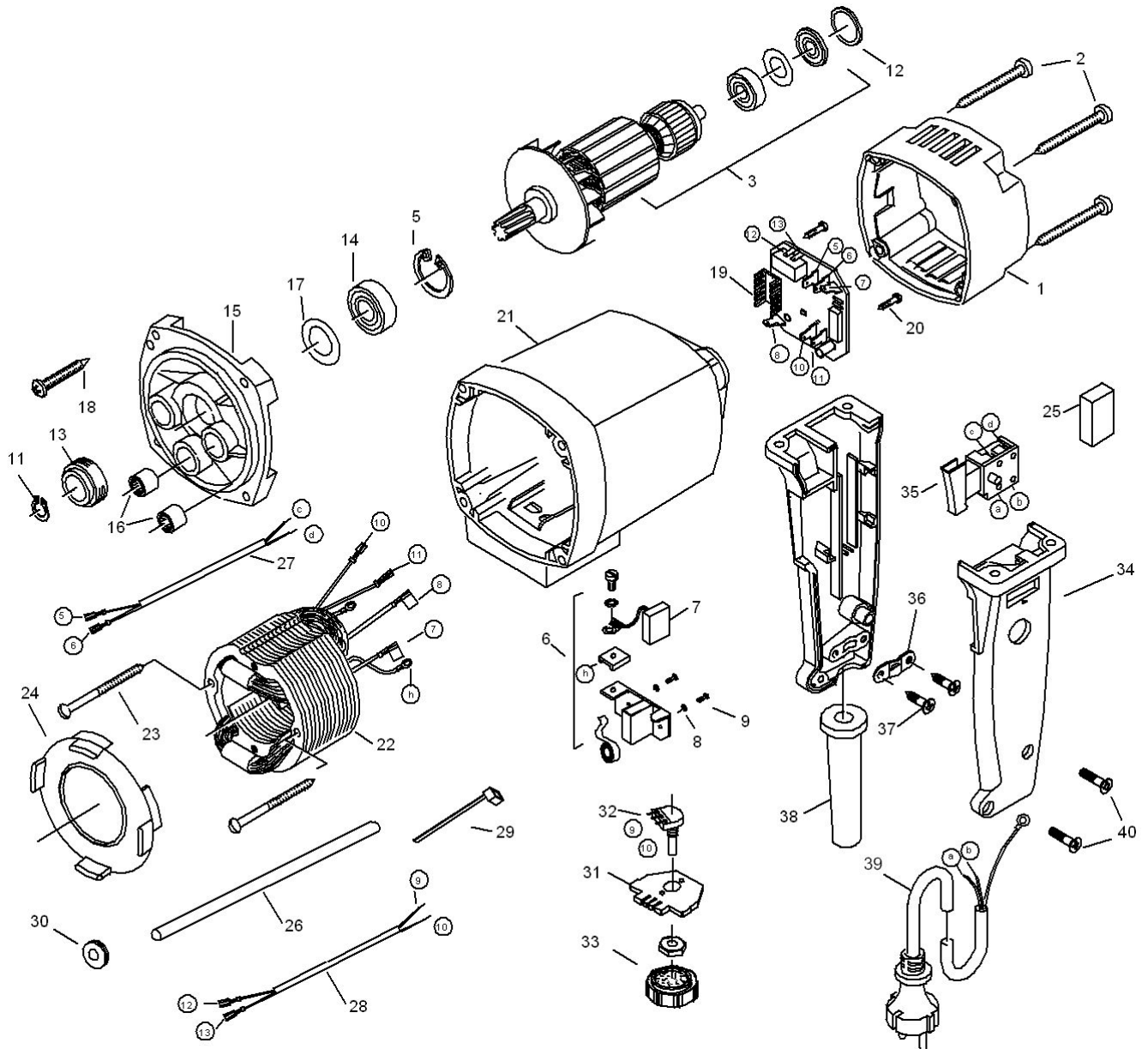
1 Machine

Item no.	Article no.	Description	Quantity
35	017747	Countersunk screw M5x12 DIN 7991	1
36	017780	Washer M5 DIN 125 A	1
37	018793	Gear block sealing Fräsmaster	1
38	017713	Spacer Fräsmaster	1
39	014819	Square nut M6/557	2
40	034094	Tension flange	1
41	015311	Tool flange SM1200/SM800	1
43	017412	Spindle wheel	1
44	017693	Safety washer I19 DIN 472	5
45	017730	Selftapping convex head screw.F/H4,2x9,5	4
46	018792	Bushing	1
47	017947	Bracket plate Joint grooving machine	1
48	017559	Cord grip	2
49	017959	Locking stud Fräsmaster	1
50	017690	Leg spring Fräsmaster	1
51	015320	Hexagon screw M6 left	1
52	017723	Cylindrical pin 5x 16 DIN 6325	1
53	017742	Cylinder head screw M 5x14 DIN 912	4
54	014804	Lens head screw M4x10 DIN 7985	2
55	015278	O-ring for locking pin Fräsmaster	1
56	014732	Cylinder head screw M8x10 DIN 912	1
57	017740	Cylindrical pin 4x12 DIN 6325	1
58	017434	retaining spring	1
59	017749	Pressure spring 10x42,50x0,8	1
60	018693	Potentometer Fräsmaster	1
61	017473	Cylinder head screw M4x8 DIN 84 brass	1
62	019023	Handle set	1
63		Metal screw	4
64	019540	Pan-head tapping screw 4.2x16 DIN 7981 C	4
65	019024	Cable bushing Fräsmaster/Junior	1
68	019164	Câble d'alimentation 3G1.5x4m noir fiche	5
68	071005	El.cord 3G1,5²x4m without plug	1
70	014731	Cylinder head screw M6x25 DIN 912	1
71	016949	Mounting switch Fräsmaster/Fräsjunior	1

1 Machine

Item no.	Article no.	Description	Quantity
72	018771	Anti-interference capacitor	1
73	017663	Tooth lock washer 4.3 Form A DIN 6797	2
74	017438	End cap	1
75	018760	Knurled screw M6x16	1
76	048554	Plug 3-pole 10A AUS	1
76	019170	Plug 3-pol.230V SK1 UK	1
76	059184	Plug Adapter 3-pole 230V CH T12	1
76	078966	Adapter Plug 3-pol. 230V 10A DK	1
86	017958	Roller SM1200/SM800	1
87	015042	Blade roller complete	1
88	015040	Guide roller compl	1
89	036167	Guide roller with axle compl.	1
90	059934	wheel w..axle cpl. Fräsmaster	1

2 Motor



2 Motor

Item no.	Article no.	Description	Quantity
1	019030	Cap (Motor) Fräsmaster	1
2		Metal screw	4
3	017413	Armature cpl. 230V Fräsmaster	1
5	012451	Locking ring motor AMW 1500/1501	1
6		brush holder compl.	2
7	067639	Carbon brush Fräsjunior 230V	2
8		spring washer	4
9		thread grooving screw	4
11	053484	Circlip A14 DIN 471	1
12	080558	O-Ring 22x2,5	1
13	019031	Sealing Fräsmaster	1
14	049765	Ball bearing 6902 2RS	1
15	012244	Getriebelagerschild Motor AMW 1500/1501	1
16		Needle bushing	1
17	012500	Adjusting washer	1
18		Metal screw	1
19	017411	Plate 230V motor Fräsmaster	1
20		Metal screw	2
21	077012	Motor housing 115V/230V Fräsjunior	1
22	019027	Magnetic field cpl. Joint grooving machi	1
23		Metal screw	2
24		Air ring	1
25	018771	Anti-interference capacitor	1
26		Isolation tube	11
27	11988		1
28			
29			1
30		Wire protecting sleeve	1
31	019025	Houlding device Fräsmaster	1
32	018693	Potientometer Fräsmaster	1
33	019026	Thumb bolt Fräsmaster	1
34	019023	Handle set	1
35	016949	Mounting switch Fräsmaster/Fräsjunior	1
36	017559	Cord grip	1

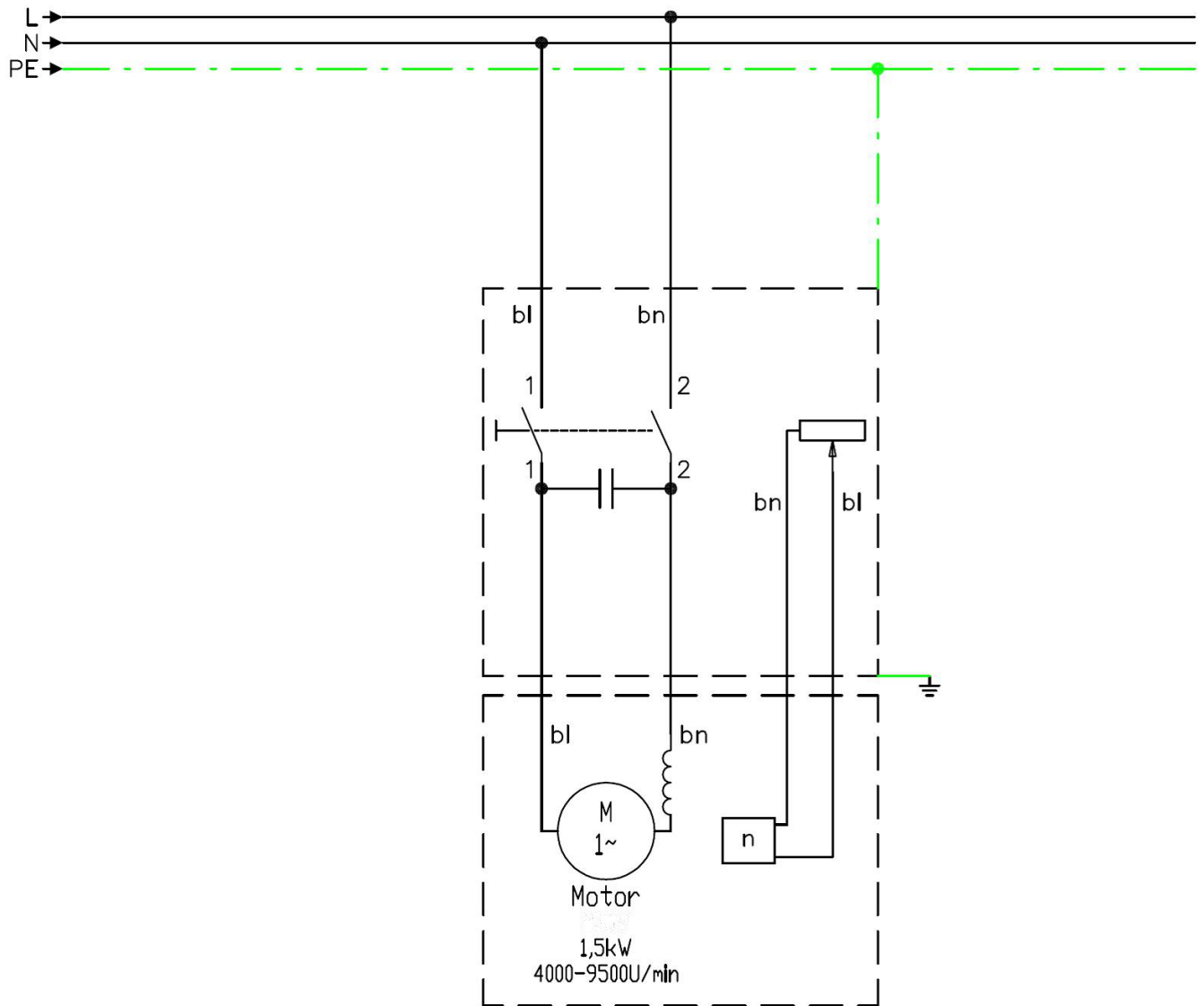
2 Motor

Item no.	Article no.	Description	Quantity
37		Metal screw	2
38	019024	Cable bushing Fräsmaster/Junior	1
39	019164	Câble d'alimentation 3G1.5x4m noir fiche	1
40	019540	Pan-head tapping screw 4.2x16 DIN 7981 C	2

3 Accessories

Item no.	Article no.	Description	Quantity
1	015315	Hearing protectors	1
2	015316	Protective goggles	1
3	017612	Double fork wrench sw10/13 mm	1
4	014956	Hexagonal screw key SW5 DIN 911	1
5	068974	Dust bag short white SEE 10581	1
6	013459	Elliptic grooving disc130x20x3,8ellipZ12	1
7	013461	Combi grooving disc130x20x5 ellip.Z12	1
8	013460	Elliptic dia-grooving disc	1
9	021208	HM grooving disc130x20x3,3 rund Z12 Set	1

4 Circuit diagram

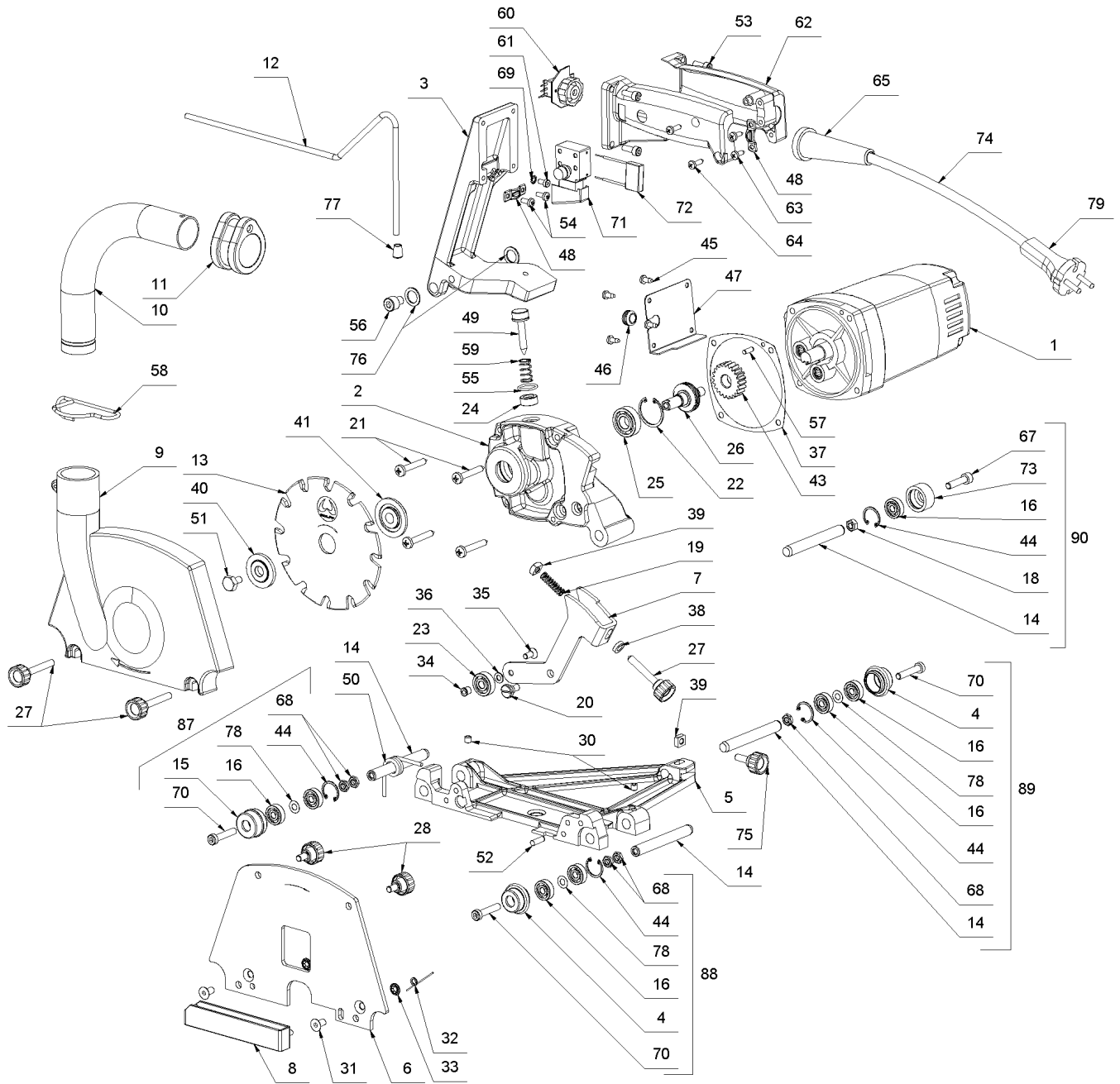


4 Circuit diagram

4 Fräsmaster (2958/2014-3620/2018)

Item no.	Article no.	Description
1	04_01_013305	Machine
2	01_02_013305	Motor
3	01_03_013305	Accessories
4	01_04_013305	Circuit diagram

1 Machine



1 Machine

Item no.	Article no.	Description	Quantity
1	017572	Motor cpl.100-115V 50/60Hz Fräsmaster	1
1	017573	Motor cpl.230V Fräsmaster	1
2	017863	Motor bearing Fräsmaster	1
3	017017	Handle	1
4	015258	Guiding roll SM1200	2
5	017871	Wheel chassisFräsmaster	1
6	017904	Front panel Fräsmaster	1
7	017912	Adjustment crank Fräsmaster	1
8	017649	Span protection Fräsmaster	1
9	017864	Hood Fräsmaster SEE 10419	1
10	015517	Angle	1
11	017626	Chip bag flange Fräsmaster	1
12	065741	Shackle short	1
13	036275	Spare disc 130x20x3,3 rund Z12	1
14	017447	Parallel pin 10x 80 DIN 7979	4
15	015264	Cuttingroll SM1200	1
16	017538	Ball bearing DIN625-626 6x19x6 2RS	7
18	014809	Hexagon nut M6 DIN 934	1
19	017750	Pressure spring D 162 / 9x36x1	1
20	014808	Flat head screw M6x5 DIN 923	1
21	017662	Selftapping convex head screw 5,5x50 DIN	4
22	017691	Circlip washer I28 DIN 472	1
23	017540	Ball bearing 627 2RS1	1
24	017755	Sealing ring A 6x16x7 NBR/3760	1
25	017539	Ball bearing 6001 2RS1	1
26	017926	Gear shaft Fräsmaster	1
27	017534	Knurled screw M6x40 DIN591	3
28	014879	Thumb screw M 6x10	2
30	017531	Headless pin M6x6 DIN 913	2
31	014755	Countersunk screw M6x12 DIN 7991 10.9	2
32	017771	leg spring	1
33	017776	Starlock Ø5 without cap	2
34	017753	Root of thread-running gear SM1200	1
35	017747	Countersunk screw M5x12 DIN 7991	1

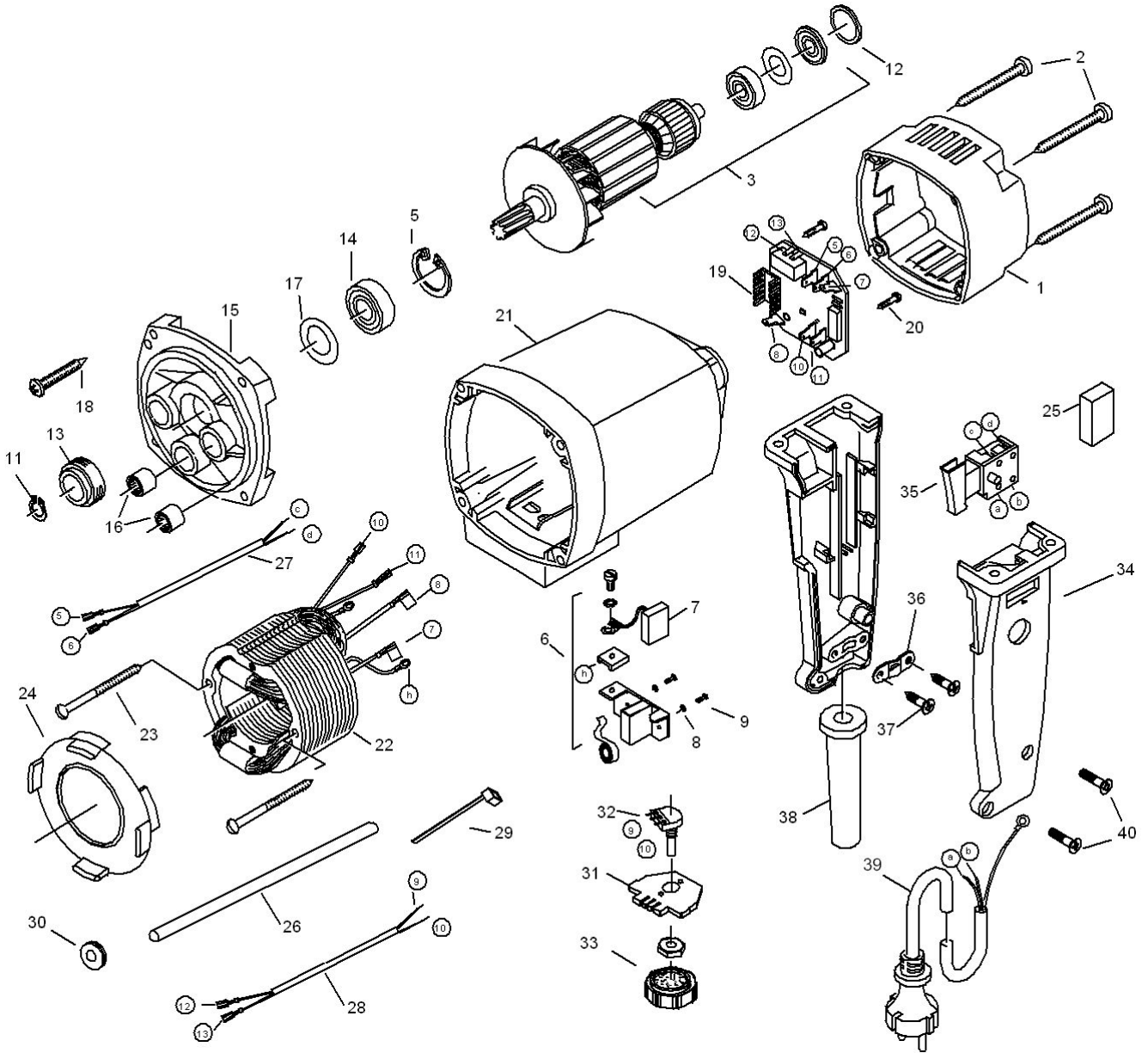
1 Machine

Item no.	Article no.	Description	Quantity
36	017780	Washer M5 DIN 125 A	1
37	018793	Gear block sealing Fräsmaster	1
38	017713	Spacer Fräsmaster	1
39	014819	Square nut M6/557	2
40	034094	Tension flange	1
41	015311	Tool flange SM1200/SM800	1
43	017412	Spindle wheel	1
44	017693	Safety washer I19 DIN 472	4
45	017730	Selftapping convex head screw.F/H4,2x9,5	4
46	018792	Bushing	1
47	017947	Bracket plate Joint grooving machine	1
48	017559	Cord grip	2
49	017959	Locking stud Fräsmaster	1
50	017690	Leg spring Fräsmaster	1
51	015320	Hexagon screw M6 left	1
52	017723	Cylindrical pin 5x 16 DIN 6325	1
53	017742	Cylinder head screw M 5x14 DIN 912	4
54	014804	Lens head screw M4x10 DIN 7985	2
55	015278	O-ring for locking pin Fräsmaster	1
56	014732	Cylinder head screw M8x10 DIN 912	1
57	017740	Cylindrical pin 4x12 DIN 6325	2
58	017434	retaining spring	1
59	017749	Pressure spring 10x42,50x0,8	1
60	018693	Potientometer Fräsmaster	1
61	017473	Cylinder head screw M4x8 DIN 84 brass	1
62	019023	Handle set	1
63		Metal screw	4
64	019540	Pan-head tapping screw 4.2x16 DIN 7981 C	4
65	019024	Cable bushing Fräsmaster/Junior	1
66	017559	Cord grip	1
67	014731	Cylinder head screw M6x25 DIN 912	1
68	018666	Hexagon nut M6 DIN 936	5
69	017663	Tooth lock washer 4.3 Form A DIN 6797	1
70	062928	Cylinder head screw M6x30 DIN 6912	4

1 Machine

Item no.	Article no.	Description	Quantity
71	016949	Mounting switch Fräsmaster/Fräsjunior	1
72	018771	Anti-interference capacitor	1
73	017958	Roller SM1200/SM800	1
74	019164	Câble d'alimentation 3G1.5x4m noir fiche	1
74	071005	El.cord 3G1,5 ² x4m without plug	1
75	018760	Knurled screw M6x16	1
76	018080	Shim ring 12x18x0,5 DIN 988	2
77	017438	End cap	1
78	018076	Shim washer 6x12x0,2 DIN 988	3
79	048554	Plug 3-pole 10A AUS	1
79	019170	Plug 3-pol.230V SK1 UK	1
79	059184	Plug Adapter 3-pole 230V CH T12	1
79	078966	Adapter Plug 3-pol. 230V 10A DK	1
87	015042	Blade roller complete	1
88	015040	Guide roller compl	1
89	036167	Guide roller with axle compl.	1
90	059934	wheel w..axle cpl. Fräsmaster	1

2 Motor



2 Motor

Item no.	Article no.	Description	Quantity
1	019030	Cap (Motor) Fräsmaster	1
2		Metal screw	4
3	017413	Armature cpl. 230V Fräsmaster	1
5	012451	Locking ring motor AMW 1500/1501	1
6		brush holder compl.	2
7	067639	Carbon brush Fräsjunior 230V	2
8		spring washer	4
9		thread grooving screw	4
11	053484	Circlip A14 DIN 471	1
12	080558	O-Ring 22x2,5	1
13	019031	Sealing Fräsmaster	1
14	049765	Ball bearing 6902 2RS	1
15	012244	Getriebelagerschild Motor AMW 1500/1501	1
16		Needle bushing	1
17	012500	Shim ring motor AMW 1500/1501	1
18		Metal screw	1
19	017411	Plate 230V motor Fräsmaster	1
20		Metal screw	2
21	077012	Motor housing 115V/230V Fräsjunior	1
22	019027	Magnetic field cpl. Joint grooving machi	1
23		Metal screw	2
24		Air ring	1
25	018771	Anti-interference capacitor	1
26		Isolation tube	11
27	011988	Switch wire AMW 1501 230V	1
28			
29			1
30		Wire protecting sleeve	1
31	019025	Houlding device Fräsmaster	1
32	018693	Potientometer Fräsmaster	1
33	019026	Thumb bolt Fräsmaster	1
34	019023	Handle set	1
35	016949	Mounting switch Fräsmaster/Fräsjunior	1
36	017559	Cord grip	1

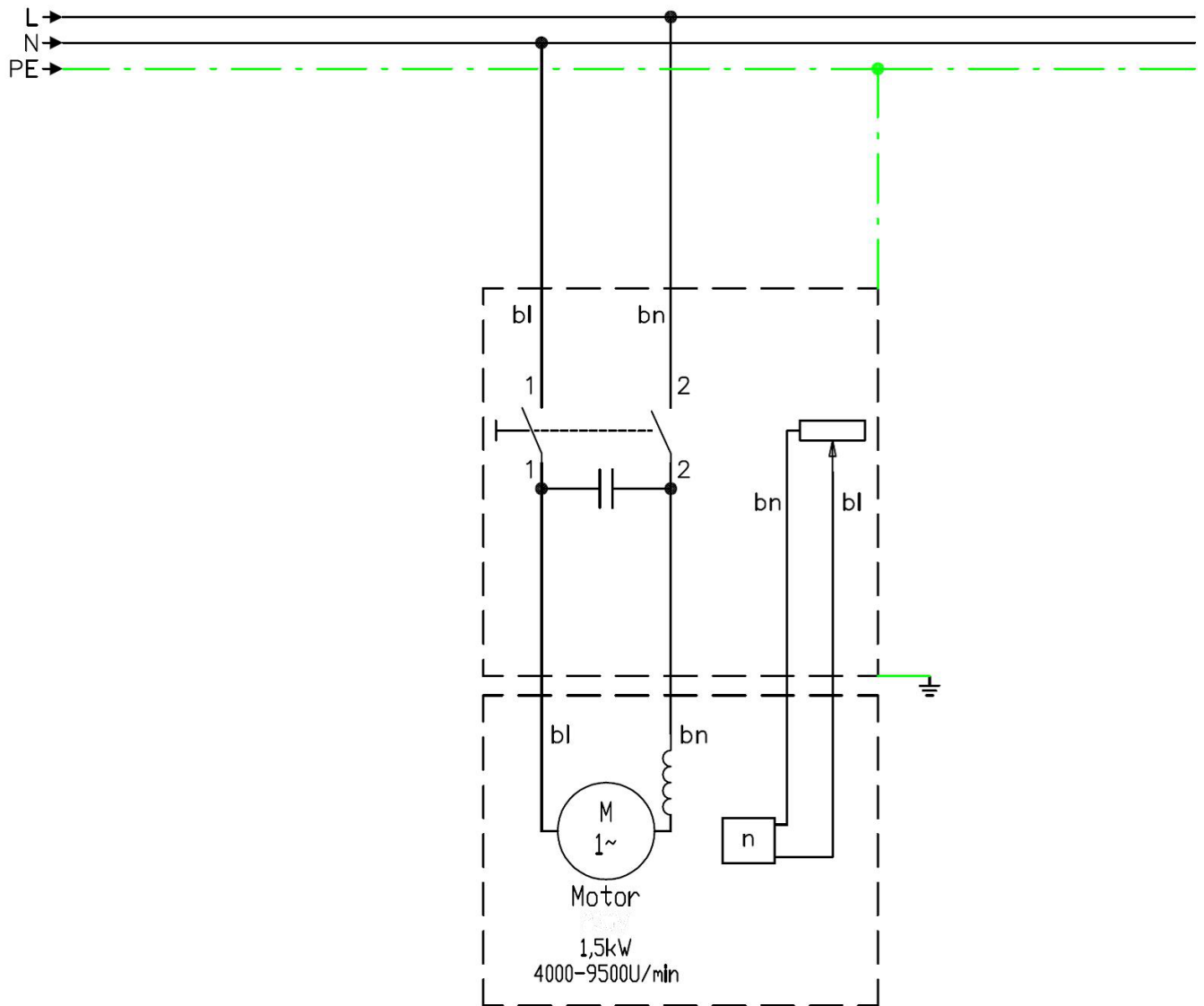
2 Motor

Item no.	Article no.	Description	Quantity
37		Metal screw	2
38	019024	Cable bushing Fräsmaster/Junior	1
39	019164	Câble d'alimentation 3G1.5x4m noir fiche	1
40	019540	Pan-head tapping screw 4.2x16 DIN 7981 C	2

3 Accessories

Item no.	Article no.	Description	Quantity
1	015315	Hearing protectors	1
2	015316	Protective goggles	1
3	017612	Double fork wrench sw10/13 mm	1
4	014956	Hexagonal screw key SW5 DIN 911	1
5	068974	Dust bag short white SEE 10581	1
6	013459	Elliptic grooving disc130x20x3,8ellipZ12	1
7	013461	Combi grooving disc130x20x5 ellip.Z12	1
8	013460	Elliptic dia-grooving disc	1
9	021208	HM grooving disc130x20x3,3 rund Z12 Set	1

4 Circuit diagram

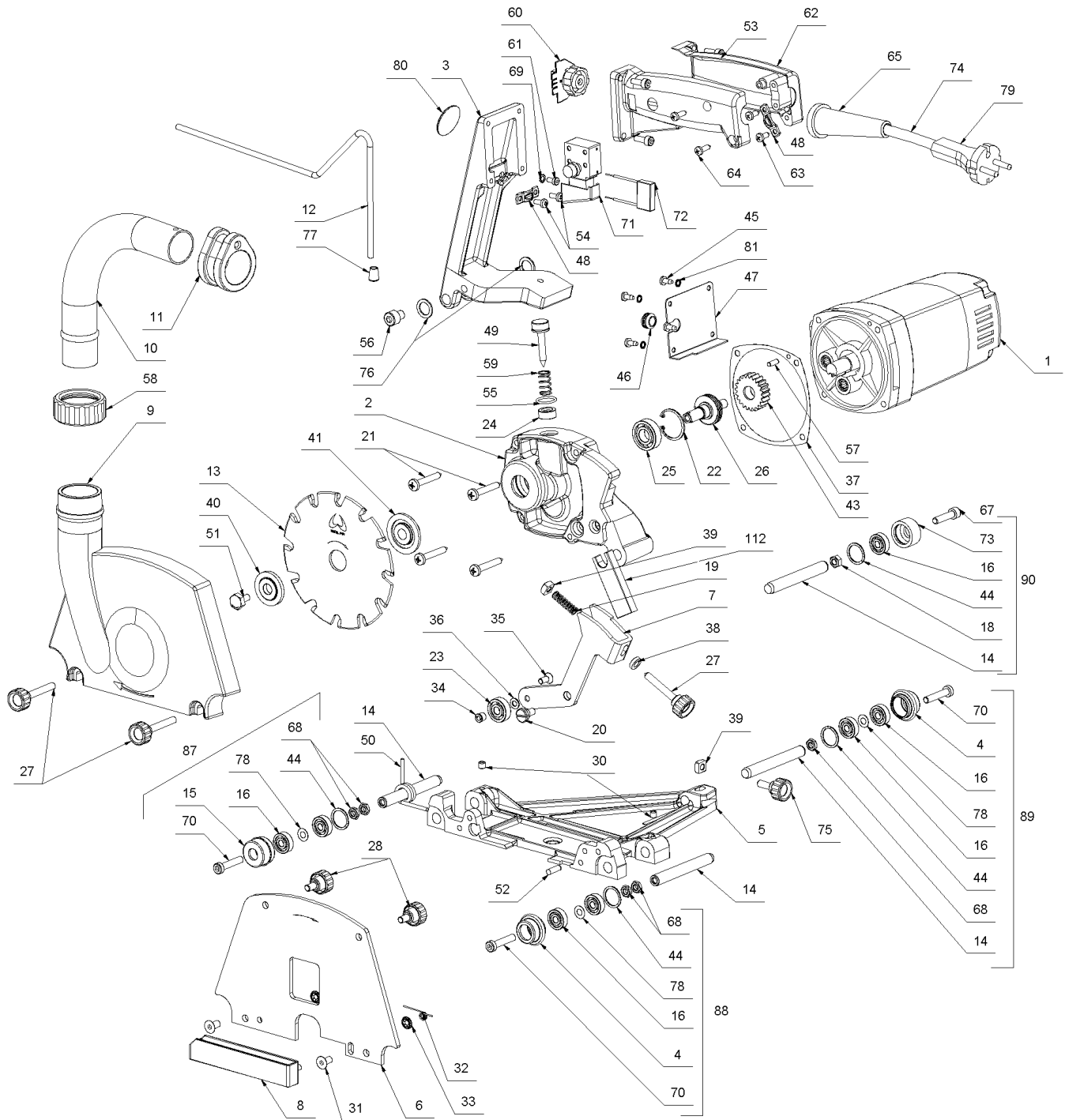


4 Circuit diagram

5 Fräsmaster (3621/2018-heute)

Item no.	Article no.	Description
1	05_01_013305	Machine
2	01_02_013305	Motor
3	01_03_013305	Accessories
4	01_04_013305	Circuit diagram

1 Machine



1 Machine

Item no.	Article no.	Description	Quantity
1	017573	Motor cpl.230V Fräsmaster	1
2	017863	Motor bearing Fräsmaster	1
3	017017	Handle	1
4	015258	Guiding roll SM1200	2
5	017871	Wheel chassisFräsmaster	1
6	017904	Front panel Fräsmaster	1
7	017912	Adjustment crank Fräsmaster	1
8	017649	Span protection Fräsmaster	1
9	085514	Cover Fräsmaster 2018	1
10	085513	Elbowy milling master 2018	1
11	017626	Chip bag flange Fräsmaster	1
12	065741	Shackle short	1
13	036275	Spare disc 130x20x3,3 rund Z12	1
14	017447	Parallel pin 10x 80 DIN 7979	4
15	015264	Cuttingroll SM1200	1
16	017538	Ball bearing DIN625-626 6x19x6 2RS	7
18	014809	Hexagon nut M6 DIN 934	1
19	017750	Pressure spring D 162 / 9x36x1	1
20	014808	Flat head screw M6x5 DIN 923	1
21	017662	Selftapping convex head screw 5,5x50 DIN	4
22	017691	Circlip washer I28 DIN 472	1
23	017540	Ball bearing 627 2RS1	1
24	017755	Sealing ring A 6x16x7 NBR/3760	1
25	017539	Ball bearing 6001 2RS1	1
26	017926	Gear shaft Fräsmaster	1
27	017534	Knurled screw M6x40 DIN591	3
28	014879	Thumb screw M 6x10	2
30	017531	Headless pin M6x6 DIN 913	2
31	014755	Countersunk screw M6x12 DIN 7991 10.9	2
32	017771	leg spring	1
33	017776	Starlock Ø5 without cap	2
34	017753	Root of thread-running gear SM1200	1
35	017747	Countersunk screw M5x12 DIN 7991	1
36	017780	Washer M5 DIN 125 A	1

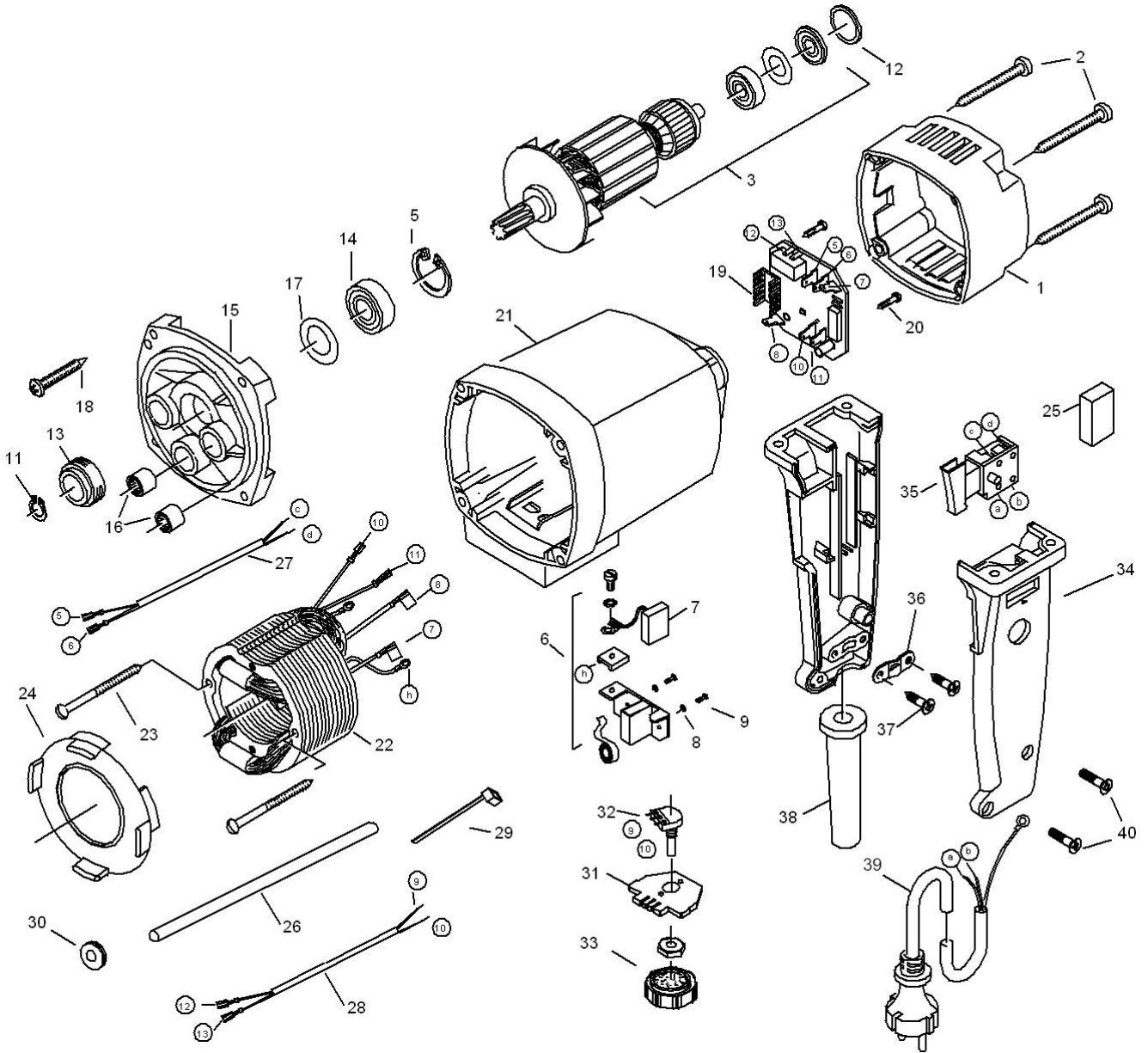
1 Machine

Item no.	Article no.	Description	Quantity
37	018793	Gear block sealing Fräsmaster	1
38	017713	Spacer Fräsmaster	1
39	014819	Square nut M6/557	2
40	034094	Tension flange	1
41	015311	Tool flange SM1200/SM800	1
43	017412	Spindle wheel	1
44	165045	Locking ring XDNH-19	4
45	017730	Selftapping convex head screw.F/H4,2x9,5	4
46	018792	Bushing	1
47	017947	Bracket plate Joint grooving machine	1
48	017559	Cord grip	2
49	017959	Locking stud Fräsmaster	1
50	017690	Leg spring Fräsmaster	1
51	015320	Hexagon screw M6 left	1
52	017723	Cylindrical pin 5x 16 DIN 6325	1
53	017742	Cylinder head screw M 5x14 DIN 912	4
54	014804	Lens head screw M4x10 DIN 7985	2
55	015278	O-ring for locking pin Fräsmaster	1
56	014732	Cylinder head screw M8x10 DIN 912	1
57	017740	Cylindrical pin 4x12 DIN 6325	2
58	085516	Swivle nut elbow	1
59	017749	Pressure spring 10x42,50x0,8	1
60	018693	Potientometer Fräsmaster	1
61	017473	Cylinder head screw M4x8 DIN 84 brass	1
62	019023	Handle set	1
63		Metal screw	4
64	019540	Pan-head tapping screw 4.2x16 DIN 7981 C	4
65	019024	Cable bushing Fräsmaster/Junior	1
66	017559	Cord grip	1
67	014731	Cylinder head screw M6x25 DIN 912	1
68	018666	Hexagon nut M6 DIN 936	5
69	017663	Tooth lock washer 4.3 Form A DIN 6797	1
70	062928	Cylinder head screw M6x30 DIN 6912	4
71	016949	Mounting switch Fräsmaster/Fräsjunior	1

1 Machine

Item no.	Article no.	Description	Quantity
72	018771	Anti-interference capacitor	1
73	017958	Roller SM1200/SM800	1
74	019164	Câble d'alimentation 3G1.5x4m noir fiche	1
74	071005	El.cord 3G1,5²x4m without plug	1
75	018760	Knurled screw M6x16	1
76	018080	Shim ring 12x18x0,5 DIN 988	2
77	017438	End cap	1
78	018076	Shim washer 6x12x0,2 DIN 988	3
79	078966	Adapter Plug 3-pol. 230V 10A DK	1
79	048554	Plug 3-pole 10A AUS	1
79	059184	Plug Adapter 3-pole 230V CH T12	1
79	019170	Plug 3-pol.230V SK1 UK	1
80	125896	Label Wolff 3D Ø30mm	1
81	016961	Snorr washer M4	4
87	015042	Blade roller complete	1
88	015040	Guide roller compl	1
89	036167	Guide roller with axle compl.	1
90	059934	wheel w..axle cpl. Fräsmaster	1

2 Motor



2 Motor

Item no.	Article no.	Description	Quantity
1	019030	Cap (Motor) Fräsmaster	1
2		Metal screw	4
3	017413	Armature cpl. 230V Fräsmaster	1
5	012451	Locking ring motor AMW 1500/1501	1
6		brush holder compl.	2
7	014869	Carbon brush Fräsmaster/Fräsjunior	2
8		spring washer	4
9		thread grooving screw	4
11	053484	Circlip A14 DIN 471	1
12	080558	O-Ring 22x2,5	1
13	019031	Sealing Fräsmaster	1
14	049765	Ball bearing 6902 2RS	1
15	012244	Getriebelagerschild Motor AMW 1500/1501	1
16		Needle bushing	1
17	012500	Shim ring motor AMW 1500/1501	1
18		Metal screw	1
19	017411	Plate 230V motor Fräsmaster	1
20		Metal screw	2
21	077012	Motor housing 115V/230V Fräsjunior	1
22	019027	Magnetic field cpl. Joint grooving machi	1
23		Metal screw	2
24		Air ring	1
25	018771	Anti-interference capacitor	1
26		Isolation tube	11
27	011988	Switch wire AMW 1501 230V	1
28			
29			1
30		Wire protecting sleeve	1
31	019025	Houlding device Fräsmaster	1
32	018693	Potientometer Fräsmaster	1
33	019026	Thumb bolt Fräsmaster	1
34	019023	Handle set	1
35	016949	Mounting switch Fräsmaster/Fräsjunior	1
36	017559	Cord grip	1

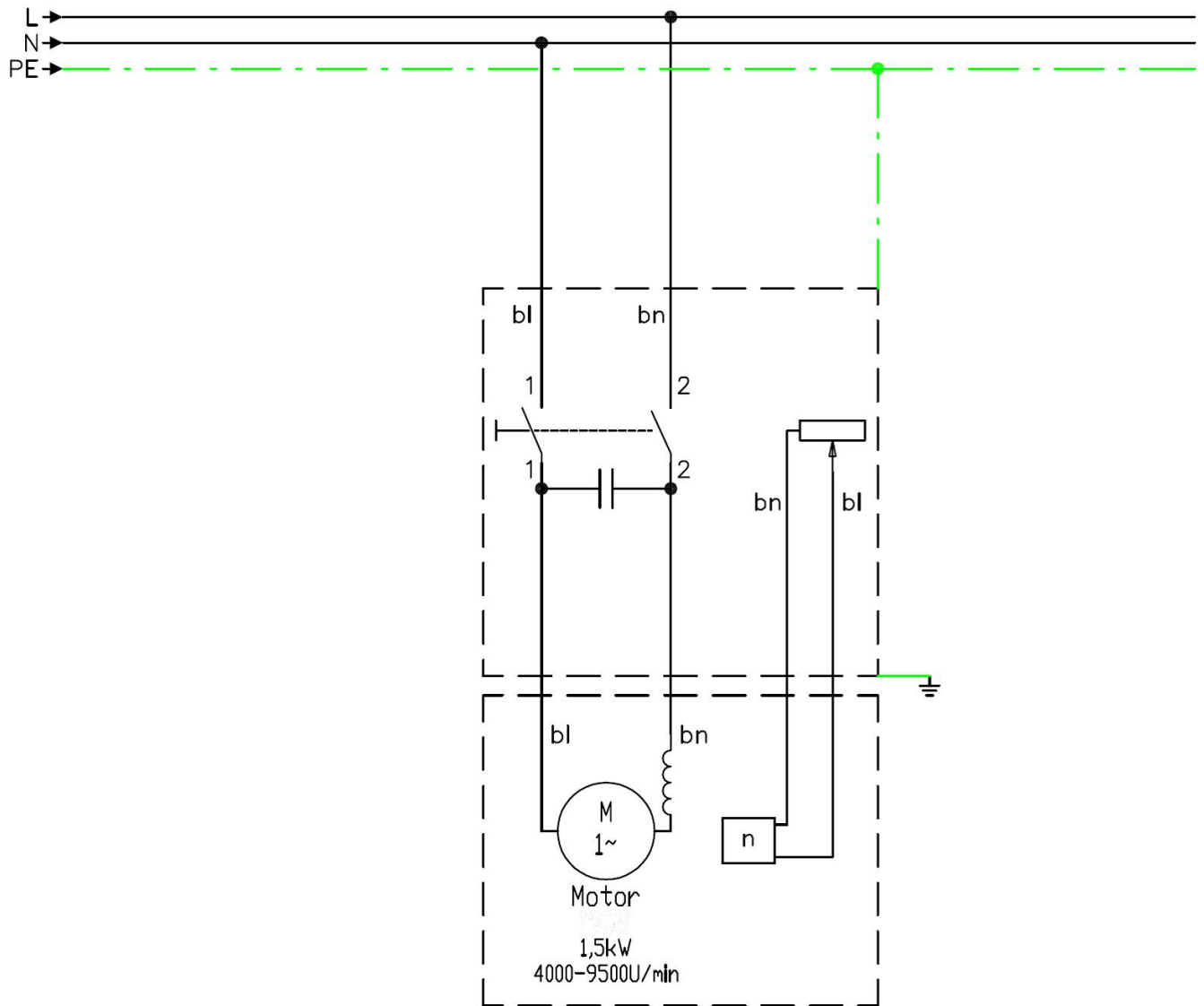
2 Motor

Item no.	Article no.	Description	Quantity
37		Metal screw	2
38	019024	Cable bushing Fräsmaster/Junior	1
39	019164	Câble d'alimentation 3G1.5x4m noir fiche	1
40	019540	Pan-head tapping screw 4.2x16 DIN 7981 C	2

3 Accessories

Item no.	Article no.	Description	Quantity
1	015315	Hearing protectors	1
2	015316	Protective goggles	1
3	017612	Double fork wrench sw10/13 mm	1
4	014956	Hexagonal screw key SW5 DIN 911	1
5	068974	Dust bag short white SEE 10581	1
6	013459	Elliptic grooving disc130x20x3,8ellipZ12	1
7	013461	Combi grooving disc130x20x5 ellip.Z12	1
8	013460	Elliptic dia-grooving disc	1
9	021208	HM grooving disc130x20x3,3 rund Z12 Set	1

4 Circuit diagram



4 Circuit diagram
