



## spare parts list M30 Sauger 230V EU



## Table of contents

---

|   |    |
|---|----|
| 1 M30 Vacuum Cleaner 230V EU (M30 Sauger 230V EU) | 3  |
| 1 Modules   | 4  |
| 2 Suction head M30                                | 6  |
| 3 Housing base plate                              | 10 |
| 4 Closure plug                                    | 12 |
| 5 Container                                       | 14 |
| 6 Accessories                                     | 16 |
| 7 Floor nozzle                                    | 18 |
| 8 Accessories floor nozzle                        | 20 |
| 9 Accessories suction hose                        | 22 |
| 10 Electronics circuit diagram                    | 24 |

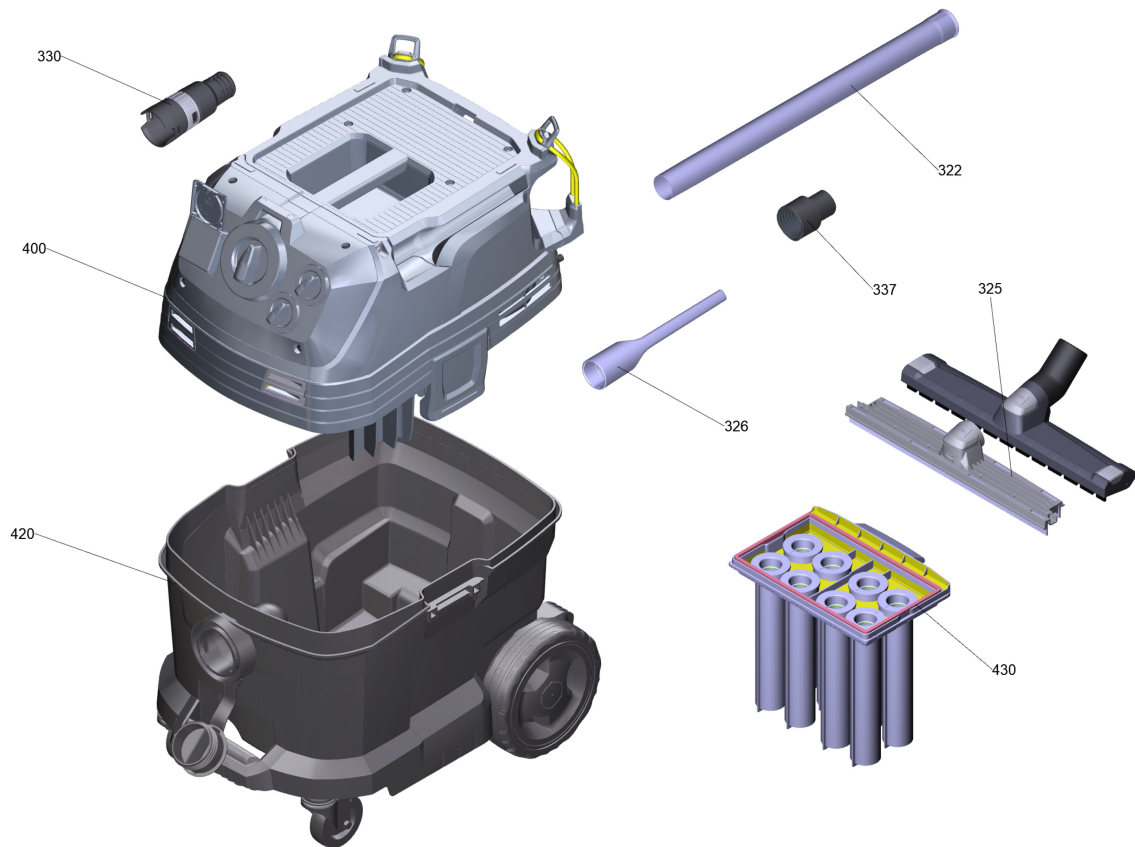
## 1 M30 Vacuum Cleaner 230V EU (M30 Sauger 230V EU)

---

| Item no. | Article no.  | Description                 |
|----------|--------------|-----------------------------|
| 1        | 01_01_162780 | Modules                     |
| 2        | 01_02_162780 | Suction head M30            |
| 3        | 01_03_162780 | Housing base plate          |
| 4        | 01_04_162780 | Closure plug                |
| 5        | 01_05_162780 | Container                   |
| 6        | 01_06_162780 | Accessories                 |
| 7        | 01_07_162780 | Floor nozzle                |
| 8        | 01_08_162780 | Accessories floor nozzle    |
| 9        | 01_09_162780 | Accessories suction hose    |
| 10       | 01_10_162780 | Electronics circuit diagram |

# 1 Modules

---



## 1 Modules

---

| Item no. | Article no. | Description                              | Quantity |
|----------|-------------|--|----------|
| 322      | 164340      | Suction pipe chrome-plated NW35 - L505mm | 1        |
| 325      | 164336      | Floor nozzle M30                         | 1        |
| 326      | 164341      | Joint nozzle M30                         | 1        |
| 330      | 164334      | Muffe long M30                           | 1        |
| 337      | 164348      | Reducer 28 to 34-38 mm M30               | 1        |
| 400      |             | Suction head complete M30                | 1        |
| 420      |             | Container complete M30                   | 1        |
| 430      | 163023      | Hose filter M30                          | 1        |



## 2 Suction head M30

| Item no. | Article no. | Description                            | Quantity |
|----------|-------------|--|----------|
| 14       |             | Blocking rotary switch                 | 1        |
| 17       |             | Hood set                               | 1        |
| 18       |             | Guide screw                            | 2        |
| 21       |             | Housing air duct top                   | 1        |
| 22       |             | Flat plug double                       | 1        |
| 23       | 171376      | Control board suction head M30         | 1        |
| 24       |             | Set instrument panel M30               | 1        |
| 25       |             | rotary handle                          | 1        |
| 26       |             | Rotary switch                          | 1        |
| 28       |             | Fixation case                          | 1        |
| 32       | 172226      | Circuit board hose selector switch M30 | 1        |
| 34       | 169416      | Rotary handle speed/hose selection M30 | 2        |
| 35       | 176060      | Circuit board control vacuum M30       | 1        |
| 36       | 177513      | Socket 230V EU vacuum cleaner M30      | 1        |
| 37       |             | Horn                                   | 1        |
| 39       |             | Shield socket 2200W                    | 1        |
| 40       | 172509      | Hose black D2x1,35 350mm               | 1        |
| 42       | 176061      | Magnetic Sensor Set M30                | 1        |
| 50       |             | Filter cover                           | 1        |
| 51       |             | Filter cover top                       | 1        |
| 52       | 176063      | Hose hook set M30                      | 2        |
| 55       |             | Anti-slip rubber set                   | 4        |
| 59       | 176064      | Magnet small cpl. M30                  | 1        |
| 60       |             | Filter cover closure                   | 1        |
| 61       |             | Bolt hook                              | 2        |
| 62       |             | Spring                                 | 1        |
| 63       |             | Moulding cover filter                  | 1        |
| 64       |             | Holder Magnet                          | 1        |
| 65       |             | Cable Magnet                           | 1        |
| 67       |             | Plate Magnet                           | 1        |
| 68       | 176066      | Valve disc M30                         | 1        |
| 70       |             | Spring soft                            | 1        |
| 71       |             | Holder flat filter                     | 1        |
| 72       | 163014      | Flat-fold filter M30                   | 1        |

## 2 Suction head M30

| Item no. | Article no. | Description                                  | Quantity |
|----------|-------------|--|----------|
| 73       | 173523      | Frame for flat fold filter M30               | 1        |
| 90       |             | Air duct housing set                         | 1        |
| 91       |             | Holder accessories NW35                      | 1        |
| 92       | 169448      | Power supply cable 7.5m M30                  | 1        |
| 93       | 088627      | Ferrit ring M30 / M55                        | 2        |
| 96       |             | Air duct housing cover                       | 1        |
| 99       | 177628      | Gasket suction turbine center M30            | 1        |
| 100      | 012231      | Suction turbine 230V Starvac from 5/2019     | 1        |
| 101      | 177629      | Gasket suction turbine bottom M30            | 1        |
| 102      |             | Housing base plate set OEM                   | 1        |
| 104      |             | Air duct M                                   | 1        |
| 105      | 177770      | Gasket supply air M30                        | 1        |
| 106      |             | Closure tab                                  | 2        |
| 108      |             | Strain relief Tact                           | 1        |
| 111      |             | Holder thermoprotector                       | 1        |
| 114      |             | Filter suction set M OEM                     | 2        |
| 115      | 177282      | Flap cooling air duct right M30              | 1        |
| 116      | 177283      | Flap cooling air duct left M30               | 1        |
| 118      |             | Cable hose selector switch                   | 1        |
| 120      |             | Cable brown 1,5mm <sup>2</sup> x200mm        | 1        |
| 121      |             | cable blue 1,5mm <sup>2</sup> x200mm         | 1        |
| 122      |             | cable blue 1mm <sup>2</sup> x270mm           | 2        |
| 123      |             | cable brown 1mm <sup>2</sup> x270mm          | 2        |
| 125      |             | Cable turbine                                | 1        |
| 126      |             | cable green/yellow 1,5mm <sup>2</sup> x150mm | 1        |
| 127      |             | cable green/yellow 1,5mm <sup>2</sup> x180mm | 1        |
| 129      | 170696      | Cable turbine with thermoprotector M30       | 1        |
| 144      | 176067      | Set sealing plugs M30                        | 1        |
| 210      |             | Cable tape 2 ST                              | 2        |
| 259      |             | Screw 4x30                                   | 6        |
| 261      | 069534      | Screw 5x80 Starvac/Dust                      | 10       |
| 262      |             | Screw 5x50                                   | 2        |
| 263      | 060952      | Screw 5x30 Starvac/Dust                      | 3        |
| 264      |             | Screw 4x22                                   | 6        |



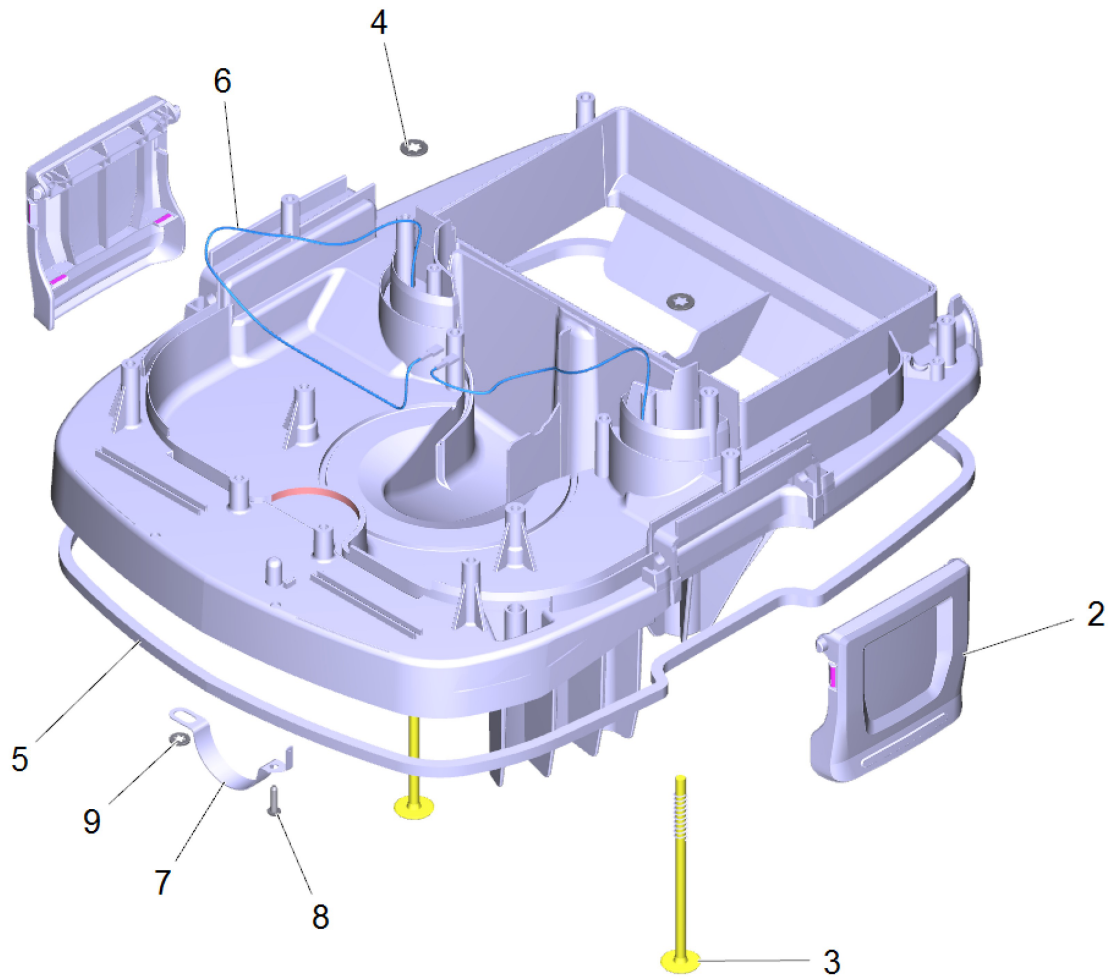
## 2 Suction head M30

---

| Item no. | Article no. | Description                              | Quantity |
|----------|-------------|--|----------|
| 265      | 088624      | Screw M4x8 Starvac M55                   | 1        |
| 266      |             | Oval head screw with hexagon socket 4x16 | 1        |
| 268      |             | Screw 5x130                              | 4        |
| 271      |             | Screw 3,5x12                             | 4        |
| 272      |             | Screw 3,5x16                             | 2        |
| 280      |             | Screw 3,5x12                             | 1        |
| 287      |             | Lock washer                              | 1        |

### 3 Housing base plate

---



### 3 Housing base plate

---

| Item no. | Description                                      | Quantity |
|----------|--|----------|
| 2        | Closure tab                                      | 2        |
| 3        | Probe  | 2        |
| 4        | Lock washer                                      | 2        |
| 5        | Sealing cord housing base plate                  | 1        |
| 6        | Cable probe light blue 0,5mm <sup>2</sup> x490mm | 2        |
| 7        | Spring electrically conductive                   | 1        |
| 8        | Screw 4x16                                       | 1        |
| 9        | Quick fastener                                   | 1        |

## 4 Closure plug

---



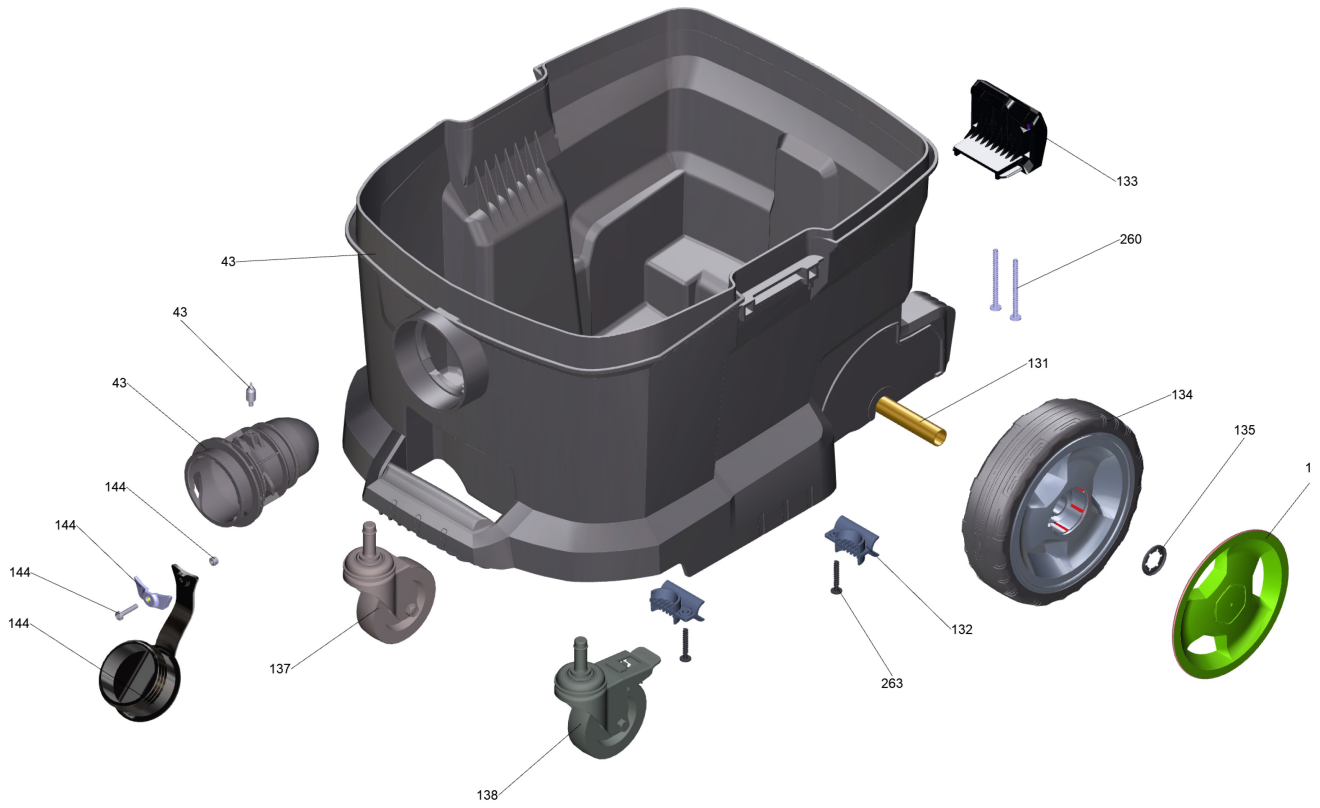
## 4 Closure plug

---

| Item no. | Description    | Quantity |
|----------|----------------|----------|
| 3        | Hexagon nut M4 | 1        |

---

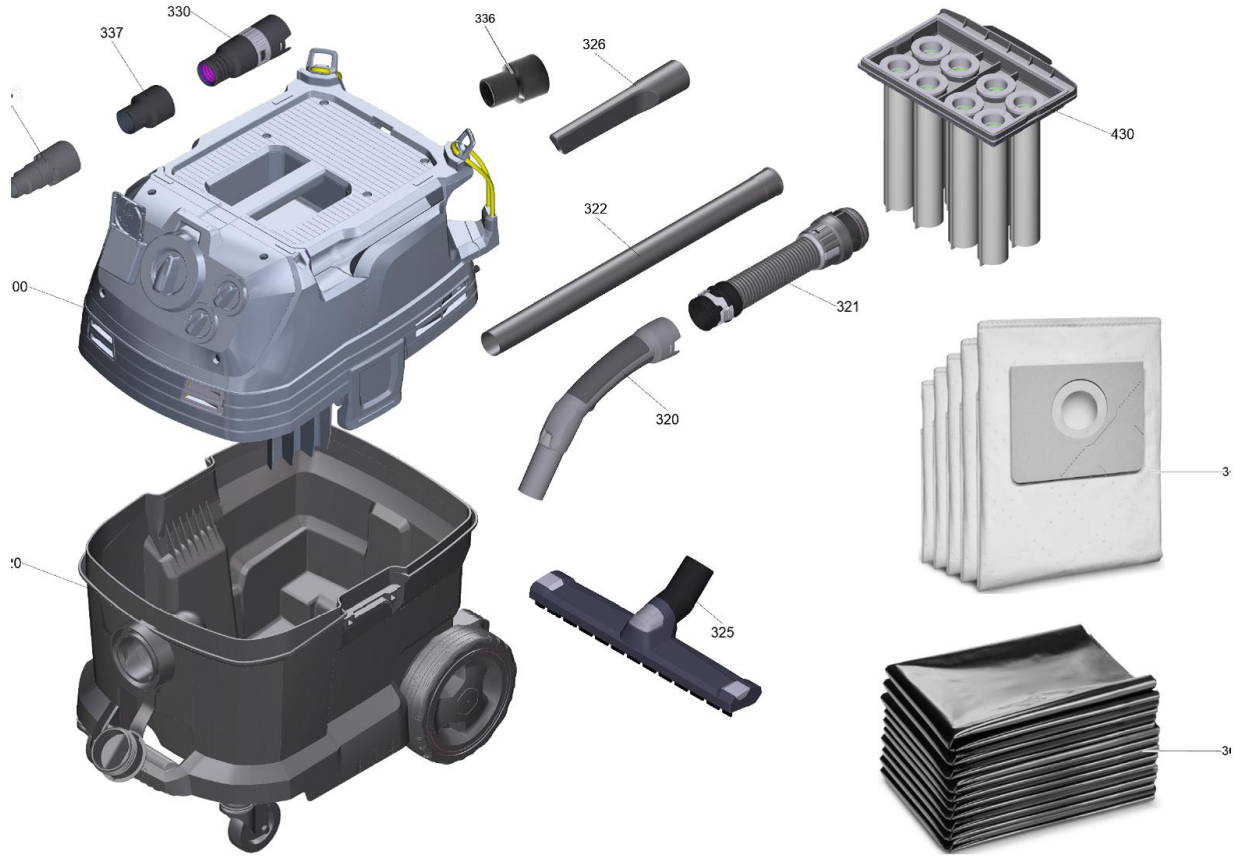
# 5 Container



## 5 Container

| Item no. | Article no. | Description                            | Quantity |
|----------|-------------|--|----------|
| 1        |             | Hubcap green                           | 2        |
| 10       | 081673      | Bolt electrically conductive M55 M30   | 1        |
| 43       | 175318      | Behaelter Set Sauger M30               | 1        |
| 131      | 175319      | Axis suction cup M30                   | 1        |
| 132      | 175320      | Holder axle suction cup M30            | 2        |
| 133      | 175321      | Halter Bodenduese Sauger M30           | 1        |
| 134      | 175322      | Wheel gray Ø180mm suction cup M30      | 2        |
| 135      | 060930      | Safety washer Starvac+PallmannDust     | 2        |
| 137      | 175325      | Steering roller Ø75 Suction M30        | 1        |
| 138      | 175326      | Steering roller with brake Ø75 Suction | 1        |
| 144      | 175329      | Set sealing plugs M30                  | 1        |
| 260      | 175331      | Screw 5x60 Suction M30                 | 2        |
| 263      | 060952      | Screw 5x30 Starvac/Dust                | 2        |

# 6 Accessories



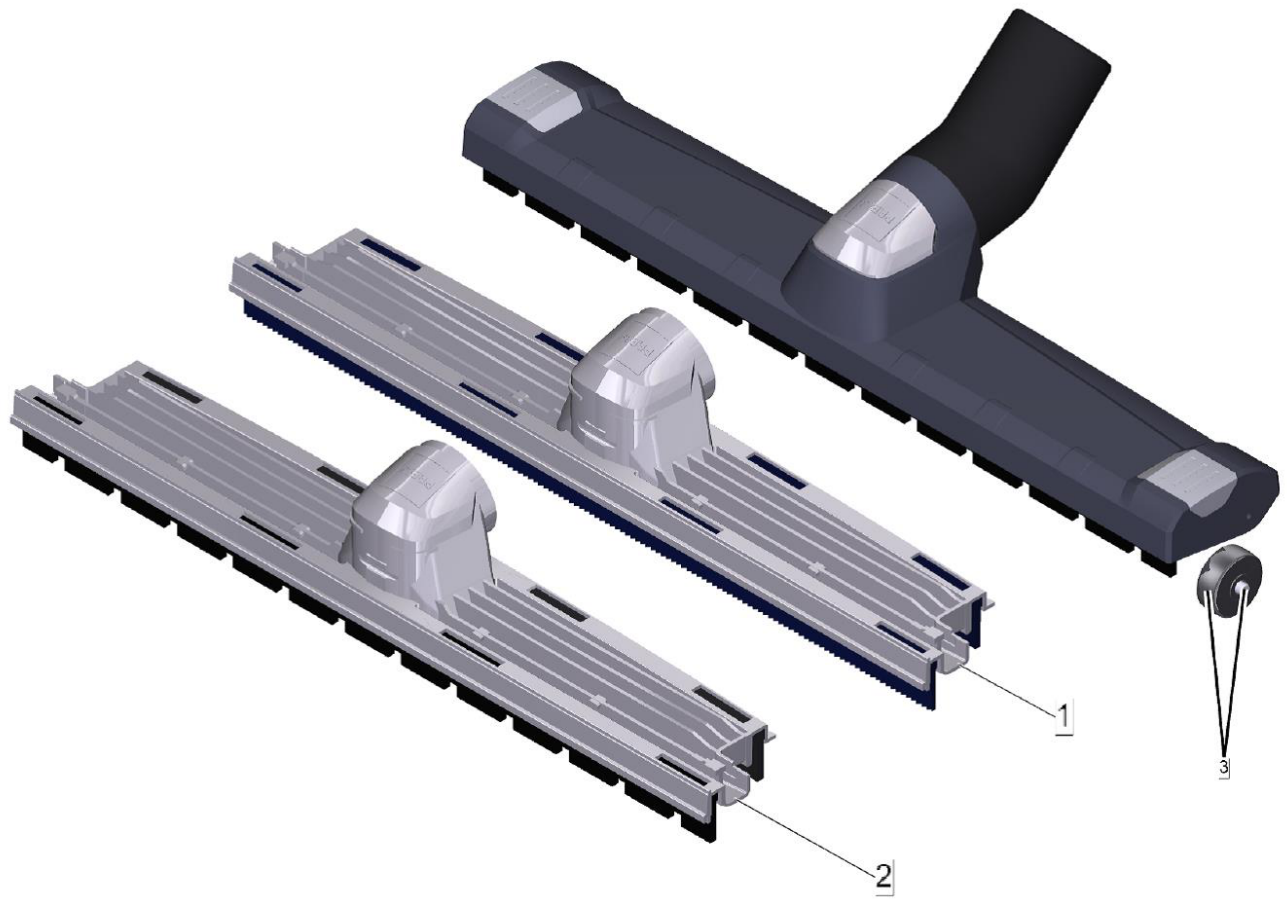


## 6 Accessories

| Item no. | Article no. | Description                              | Quantity |
|----------|-------------|--|----------|
| 300      | 163019      | Filter bags fleece M30 5pcs/package      | 1        |
| 302      | 163020      | Disposal bag M30 5pcs/pack               | 1        |
| 320      | 164343      | Elbow M30                                | 1        |
| 321      | 164339      | Suction hose cpl. elk. conductive 35mm   | 1        |
| 322      | 164340      | Suction pipe chrome-plated NW35 - L505mm | 2        |
| 325      | 164336      | Floor nozzle M30                         | 1        |
| 326      | 164341      | Joint nozzle M30                         | 1        |
| 330      | 164334      | Muffe long M30                           | 1        |
| 335      | 164346      | Connection sleeve electric tool M30      | 1        |
| 336      | 164347      | Reducer 32 to 39 mm M30                  | 1        |
| 337      | 164348      | Reducer 28 to 34-38 mm M30               | 1        |
| 400      |             | Suction head complete M30                | 1        |
| 420      |             | Container complete M30                   | 1        |
| 430      | 163023      | Hose filter M30                          | 1        |

## 7 Floor nozzle

---



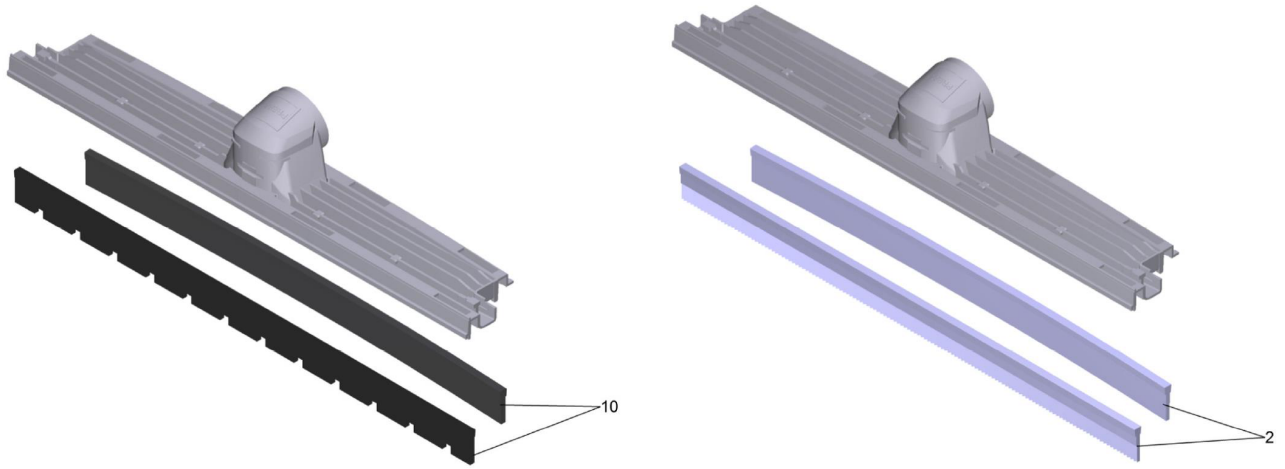
## 7 Floor nozzle

---

| Item no. | Article no. | Description                        | Quantity |
|----------|-------------|------------------------------------|----------|
| 1        | 168090      | Holder with rubber lips M30        | 1        |
| 2        | 168091      | Holder with brush strips M30       | 1        |
| 3        | 082154      | Castor+axle for floor nozzle 230mm | 2        |

## 8 Accessories floor nozzle

---



## 8 Accessories floor nozzle

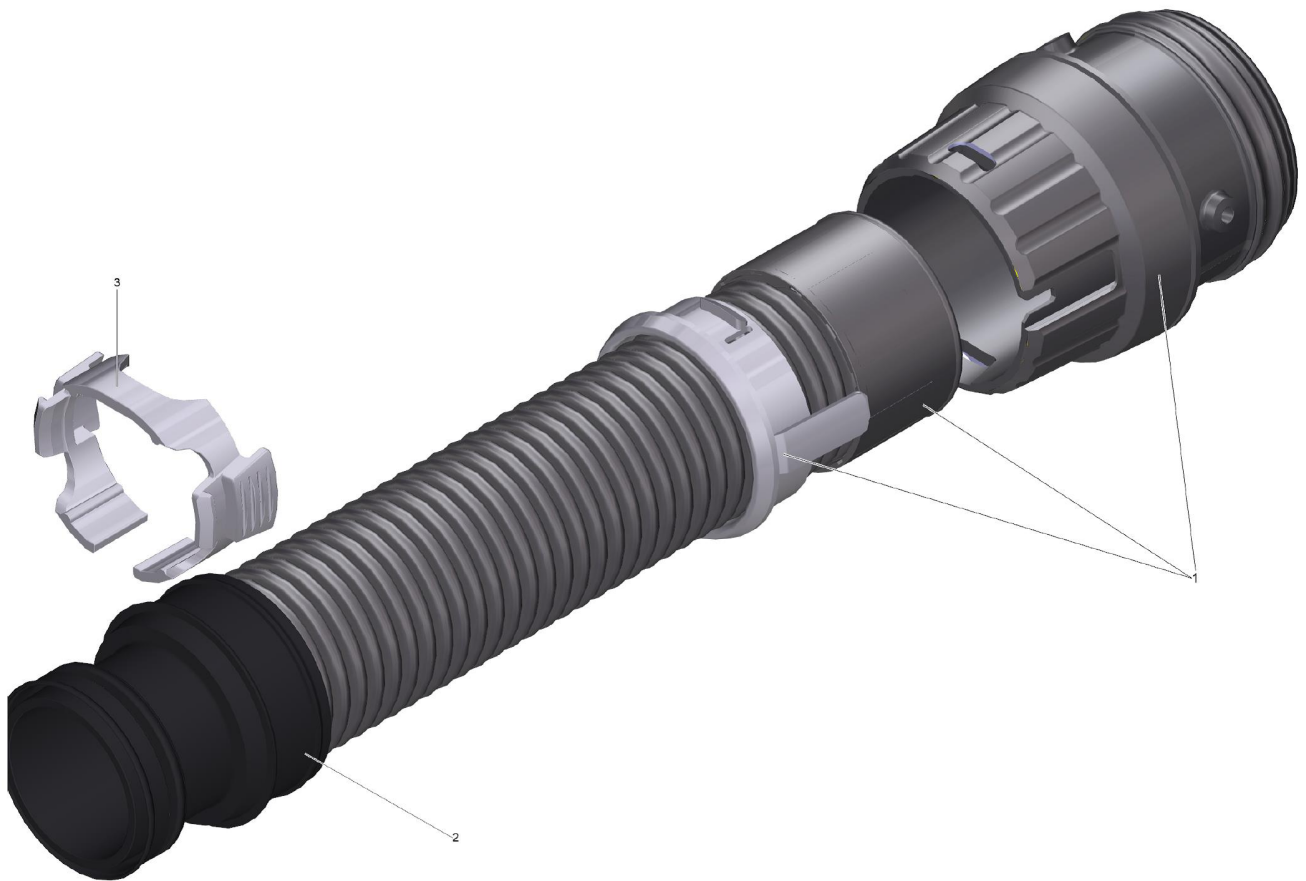
---

| Item no. | Description         | Quantity |
|----------|---------------------|----------|
| 2        | Set of brush strips | 1        |
| 10       | Set of rubber lips  | 1        |

---

## 9 Accessories suction hose

---

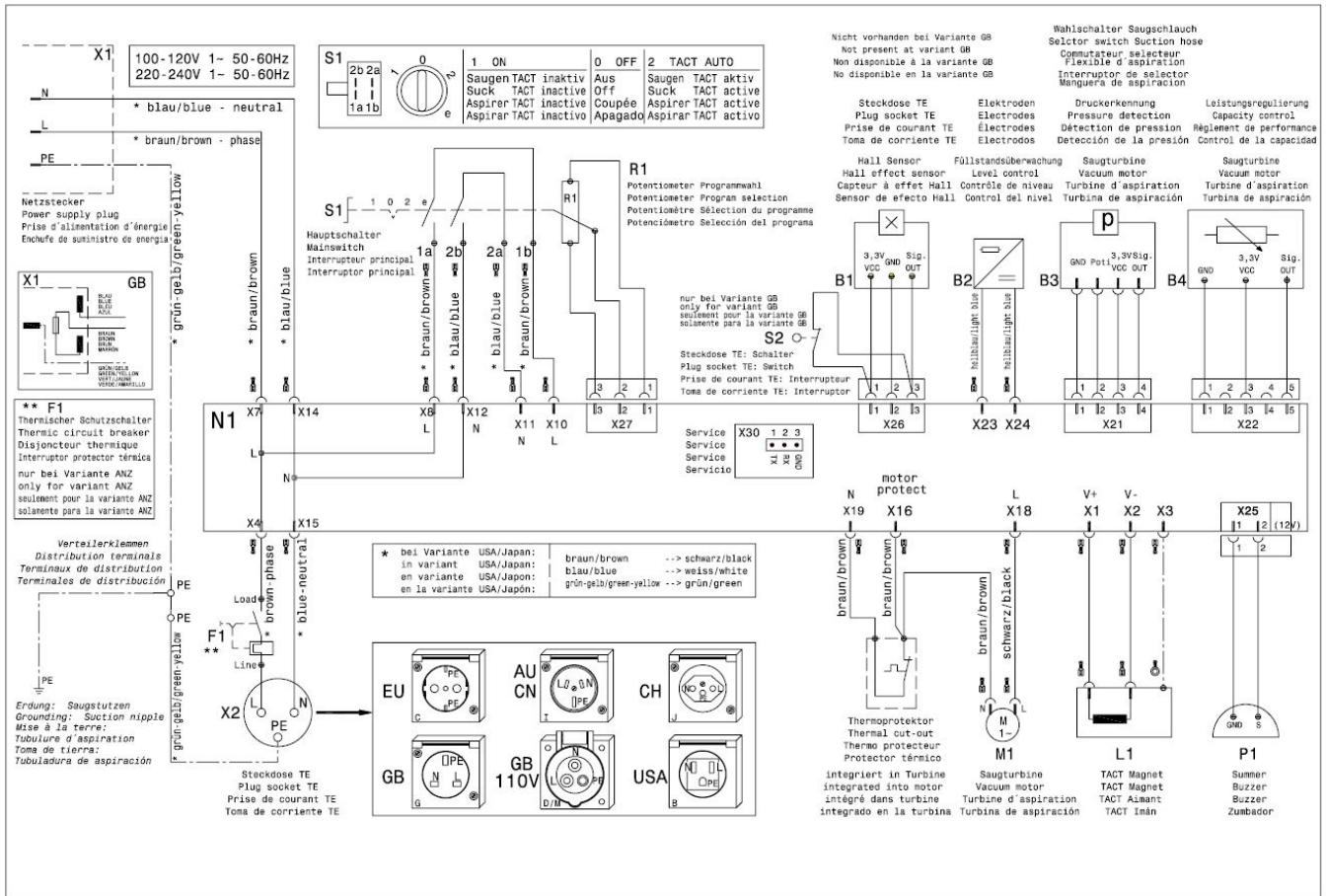


## 9 Accessories suction hose

---

| Item no. | Article no. | Description                              | Quantity |
|----------|-------------|--|----------|
| 1        | 177734      | Set bayonet electr. conductive NW35/M30  | 1        |
| 2        | 177735      | Threaded ring electr.conductive NW35/M30 | 1        |
| 3        | 177736      | Clamping ring NW35/M30                   | 1        |

# 10 Electronics circuit diagram





## 10 Electronics circuit diagram

---