



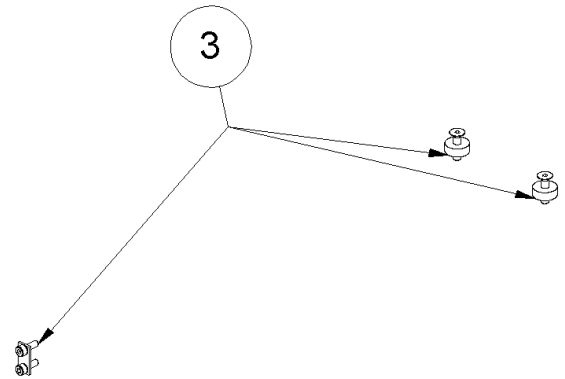
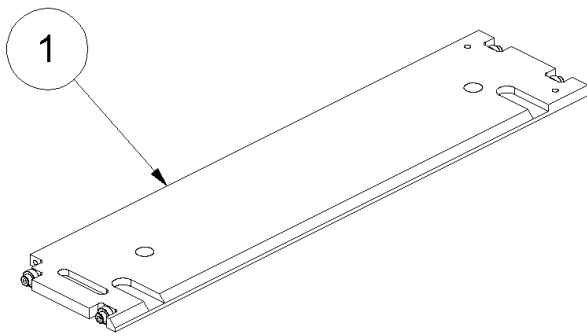
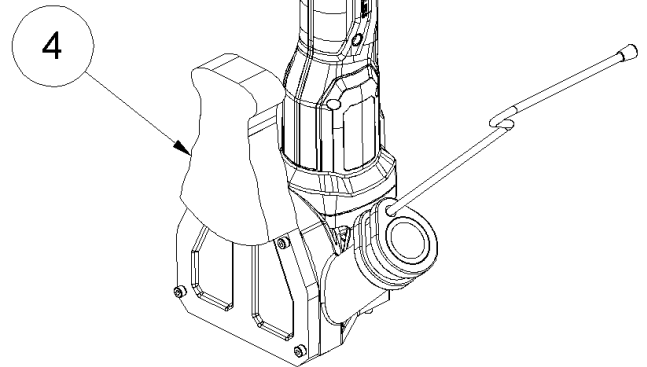
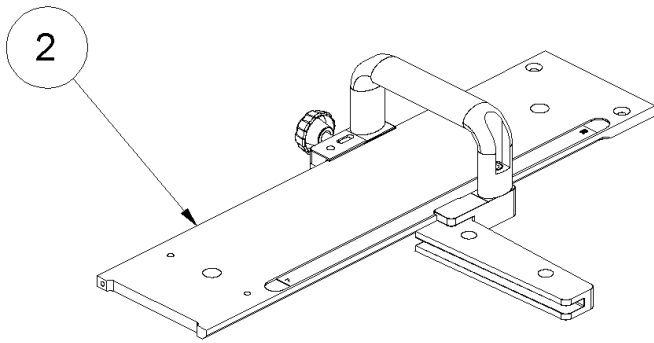
spare parts list MA LS35-LS65 18V EU



Table of contents

| | |
|-------------------------------------|----|
| 1 LS35-LS65 18V (0001/2020 - heute) | 3 |
| 1 Bottom plate | 5 |
| 2 Stop | 7 |
| 5 Steel scale 7-35cm LS35 | 9 |
| 5 Steel scale 7-65cm LS65 | 11 |
| 3 Guide bar | 13 |
| 4 Cover + housing | 15 |

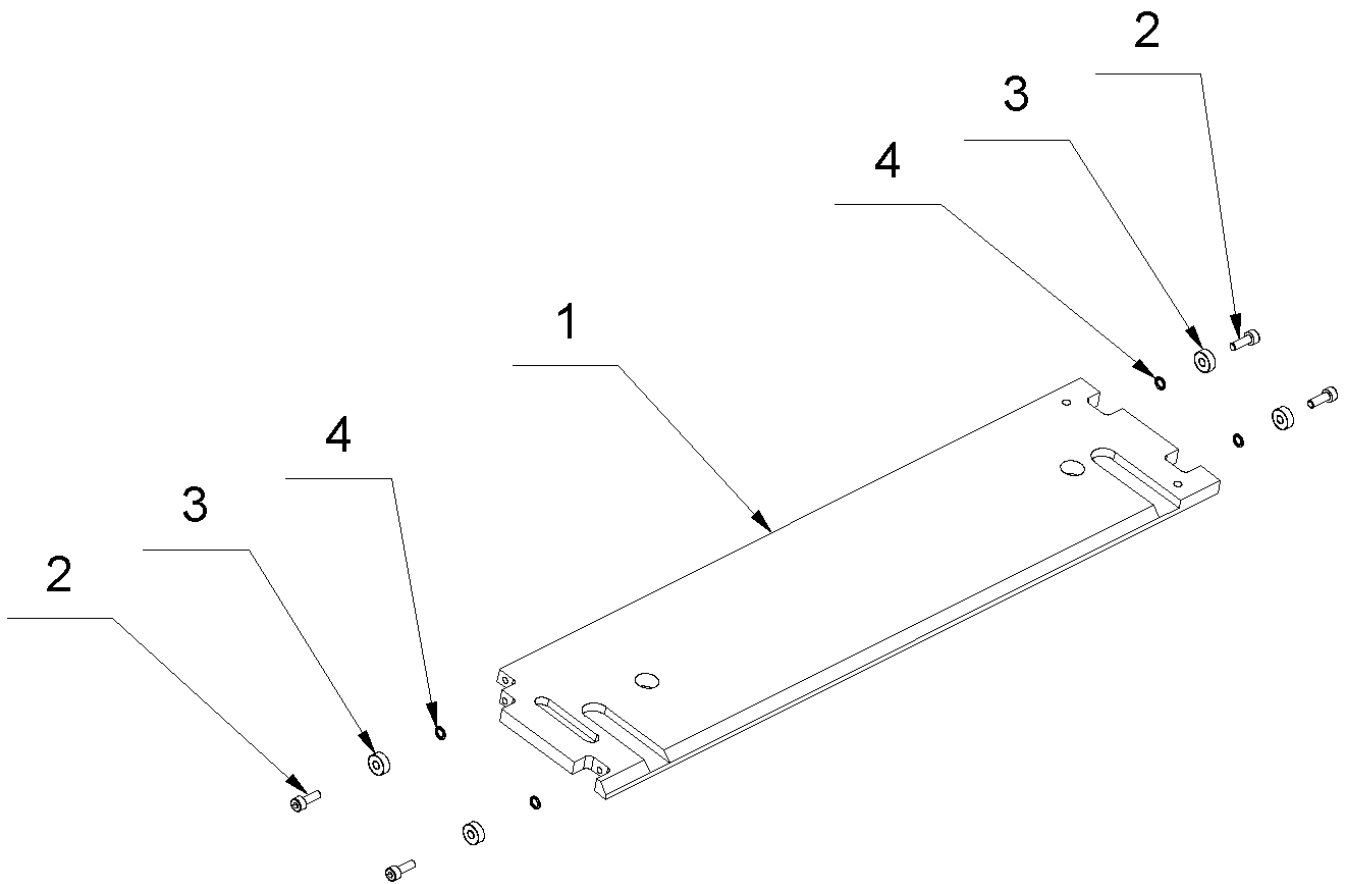
1 LS35-LS65 18V (0001/2020 - heute)



1 LS35-LS65 18V (0001/2020 - heute)

| Item no. | Article no. | Description |
|----------|-------------|-----------------|
| 1 | MG01_015661 | Bottom plate |
| 2 | MG02_015661 | Stop |
| 3 | MG03_015661 | Guide bar |
| 4 | MG04_010339 | Cover + housing |

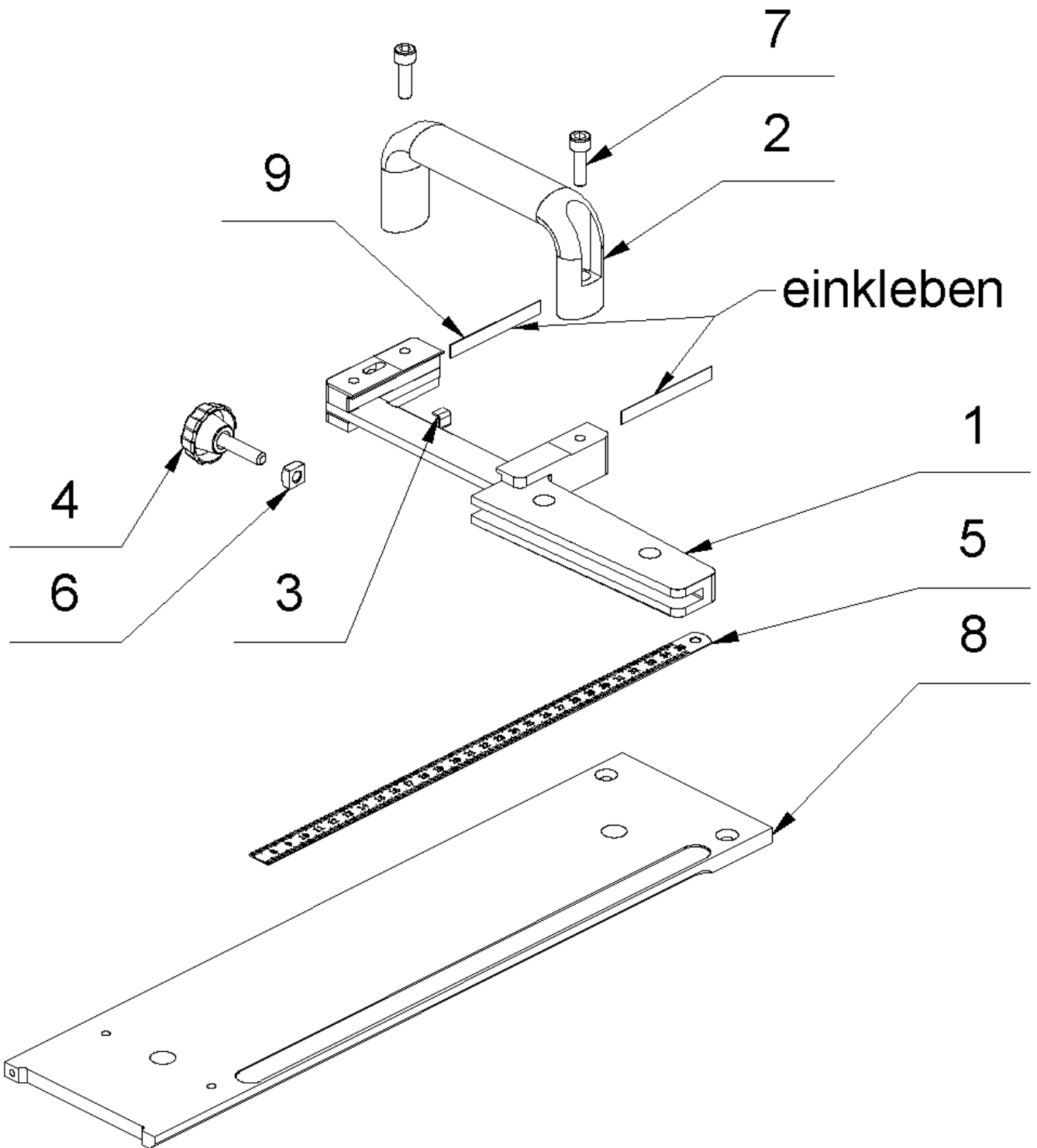
1 Bottom plate



1 Bottom plate

| Item no. | Article no. | Description | Quantity |
|----------|-------------|-----------------------------------|----------|
| 1 | 017835 | Bottom plate LS 35 | 1 |
| 2 | 018284 | Cylinder head screw M4x12 DIN 912 | 4 |
| 3 | 021197 | Ball bearing 694-ZZ | 4 |
| 4 | 016961 | Snorr washer M4 | 4 |

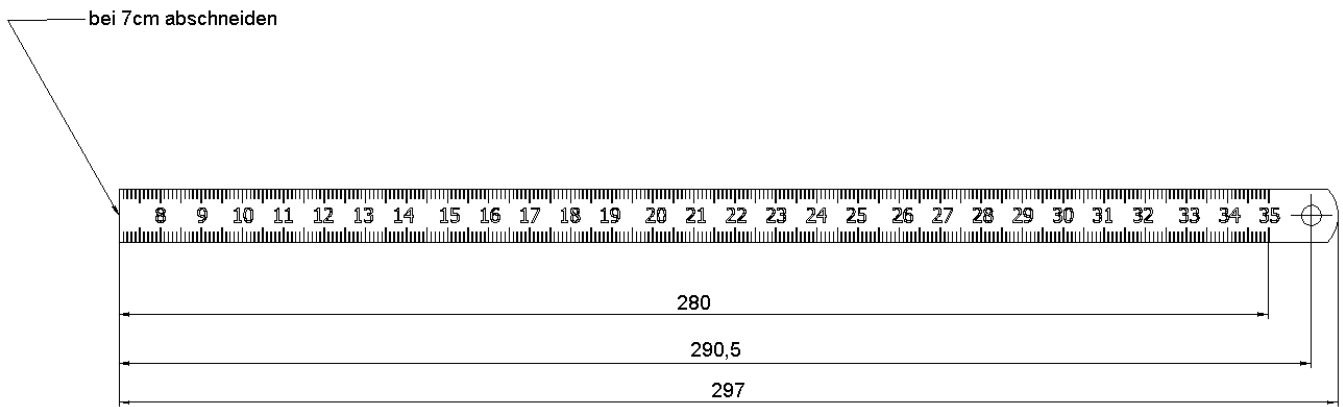
2 Step



2 Stop

| Item no. | Article no. | Description | Quantity |
|----------|-------------|-------------------------------------|----------|
| 1 | 015244 | Stop LS 35 | 1 |
| 2 | 014917 | Bow-type handle GN565 116mm | 1 |
| 3 | 015239 | Plate spring | 1 |
| 4 | 014801 | Star seize-screws M6x25 | 1 |
| 5 | 163592 | Steel scale 7-35cm LS35 | 1 |
| 5 | 164454 | Steel scale 7-65cm LS65 | 1 |
| 6 | 014819 | Square nut M6/557 | 1 |
| 7 | 014730 | Cylinder head screw M 6x20 DIN 912 | 2 |
| 8 | 017836 | Top plate LS 35 | 1 |
| 8 | 017991 | Upper plate LS65 | 1 |
| 9 | 166322 | Sliding film 0.5 x 7 x 60mm LS35/65 | 2 |

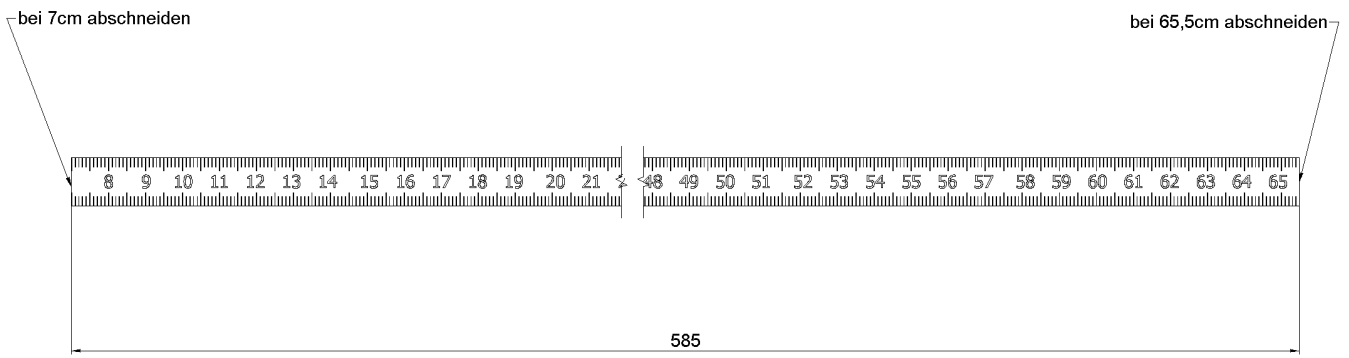
5 Steel scale 7-35cm LS35



5 Steel scale 7-35cm LS35

| Item no. | Article no. | Description | Quantity |
|----------|-------------|-------------------------|----------|
| 1 | 163592 | Steel scale 7-35cm LS35 | 1 |

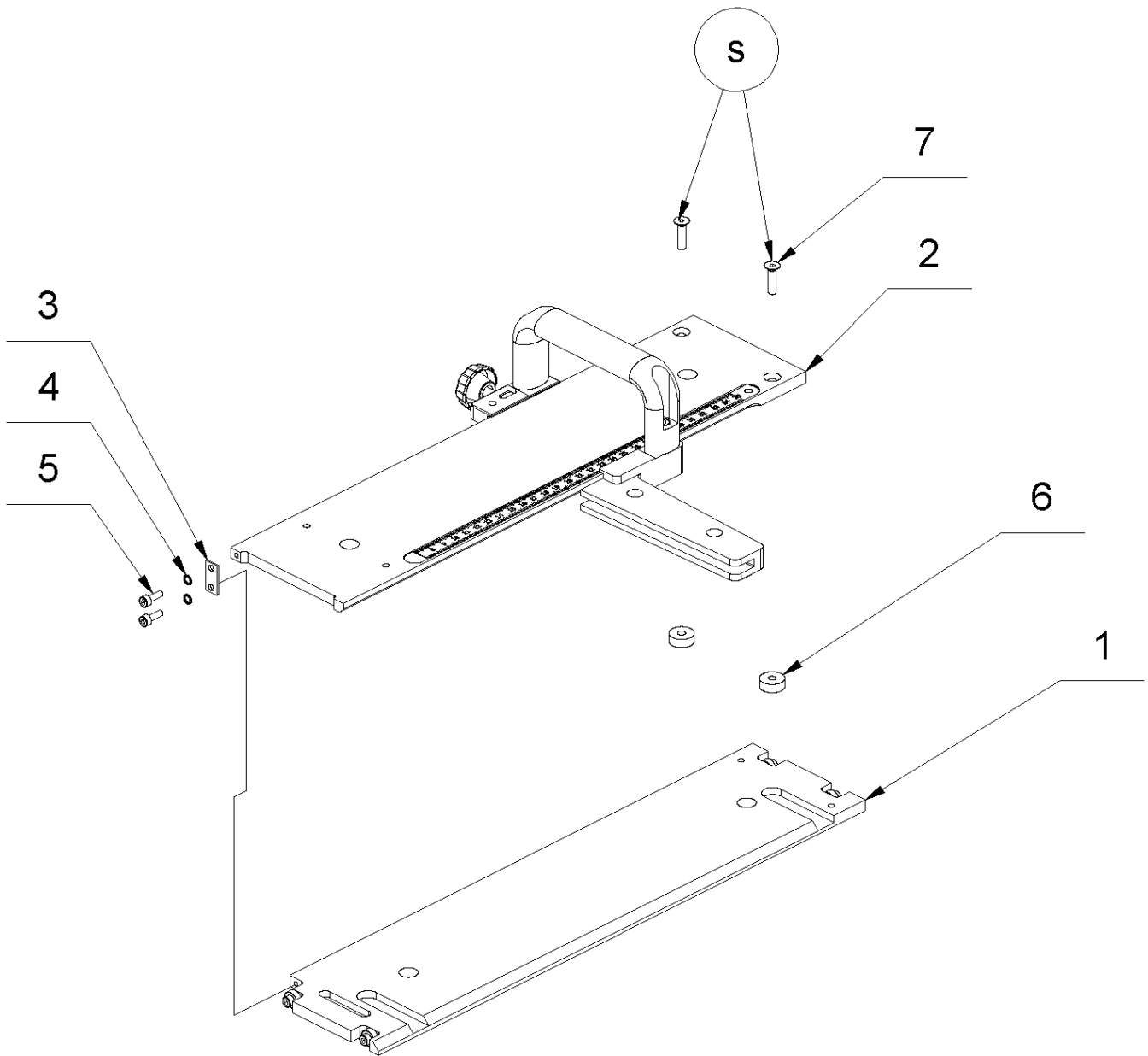
5 Steel scale 7-65cm LS65



5 Steel scale 7-65cm LS65

| Item no. | Article no. | Description | Quantity |
|----------|-------------|-------------------------|----------|
| 1 | 164454 | Steel scale 7-65cm LS65 | 1 |

3 Guide bar



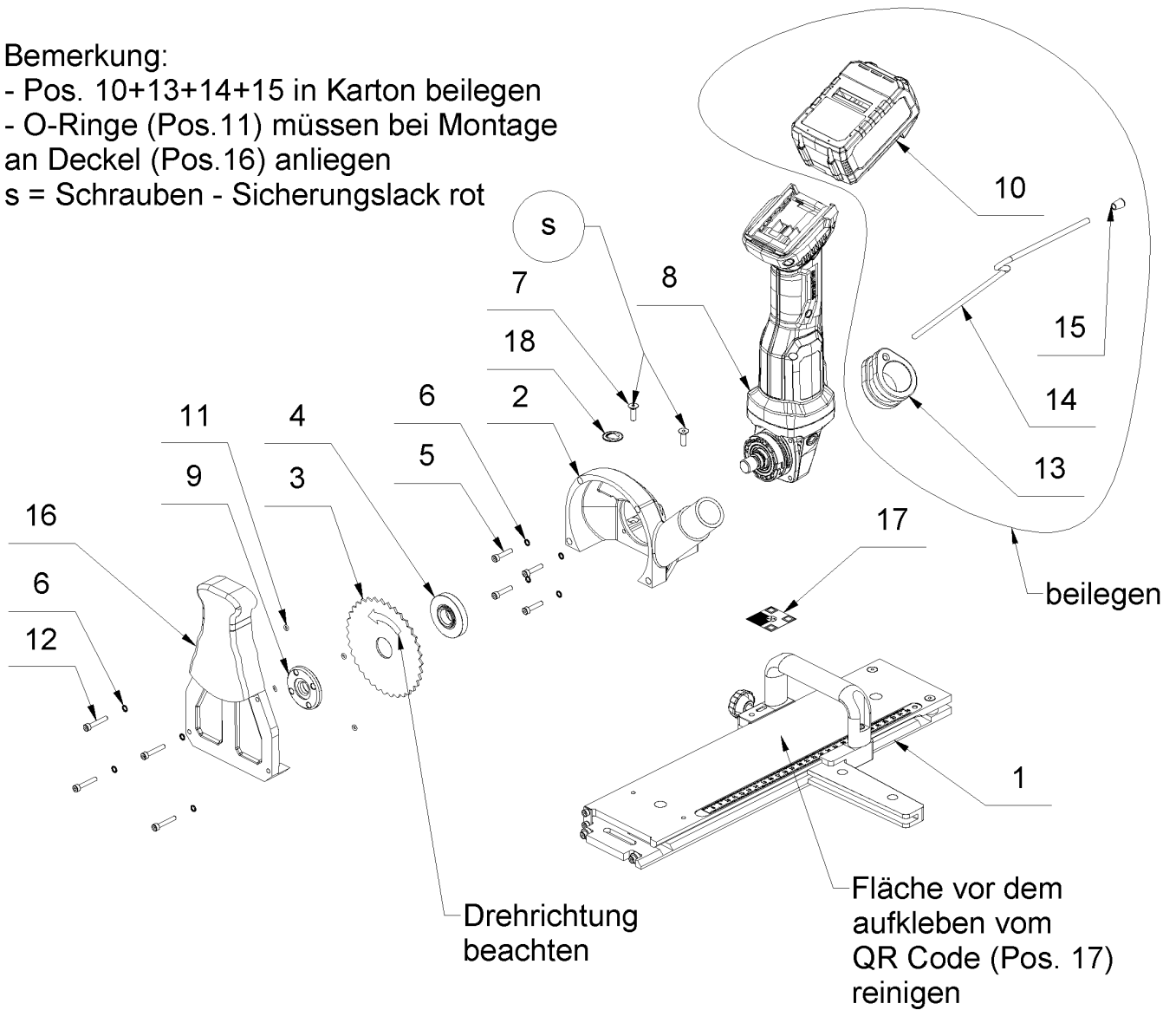
3 Guide bar

| Item no. | Article no. | Description | Quantity |
|----------|-------------|---------------------------------------|----------|
| 1 | | | 1 |
| 2 | | | 1 |
| 3 | 017984 | Guide bar LS 35 | 2 |
| 4 | 016961 | Snorr washer M4 | 1 |
| 5 | 018284 | Cylinder head screw M4x12 DIN 912 | 2 |
| 6 | 021196 | Distance rollerEcarteur | 2 |
| 7 | 017727 | Countersunk screw M5x20 DIN 7991 10.9 | 2 |

4 Cover + housing

Bemerkung:

- Pos. 10+13+14+15 in Karton beilegen
 - O-Ringe (Pos.11) müssen bei Montage an Deckel (Pos.16) anliegen
- s = Schrauben - Sicherungslack rot



4 Cover + housing

| Item no. | Article no. | Description | Quantity |
|----------|-------------|---------------------------------------|----------|
| 1 | | | 1 |
| 2 | 021195 | Housing | 1 |
| 3 | 015662 | Saw blade f. electr.strip cutter LS35 | 1 |
| 4 | 010323 | Spannflansch Akku LS35/LS65 | 1 |
| 5 | 017725 | Cylinder head screw M4x20 DIN 912 | 4 |
| 6 | 016961 | Snorr washer M4 | 8 |
| 7 | 016312 | Countersunk bolt M5x16 DIN 7991 10.9 | 2 |
| 8 | 089621 | Battery angle grinder L125-18.0V | 1 |
| 9 | 082245 | Flange nut M14 WE22 SEE 159341 | 1 |
| 10 | 010930 | Battery pack 18V/5Ah/Li 90Wh | 1 |
| 11 | 011977 | O-Ring 3x1,5mm NBR 70° shore | 4 |
| 12 | 018282 | Cylinder head screw M 4x25 DIN 912 | 4 |
| 13 | 017626 | Chip bag flange Fräsmaster | 1 |
| 14 | 065741 | Shackle short | 1 |
| 15 | 017438 | End cap | 1 |
| 16 | 015246 | Cover LS 35 | 1 |
| 17 | 171796 | Label IMM QR Code | 1 |
| 18 | 017440 | Label safety ear | 1 |