



spare parts list Mambo 2 230V EU



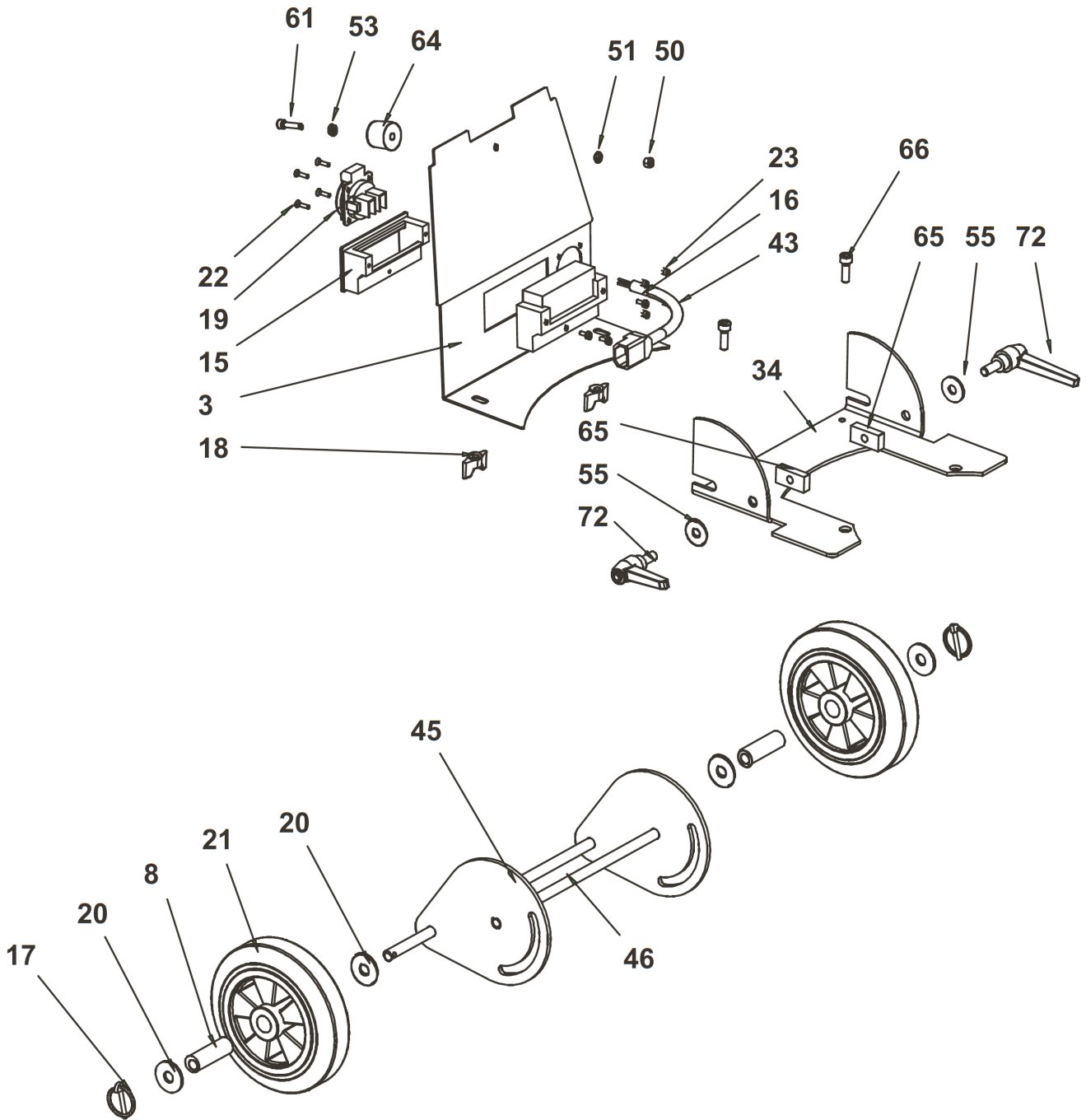
Table of contents

1 Mambo 2 (0001/2005 - 0318/2007)	3
1 Housing + Carriage	4
2 Electrical Installation	6
3 Machine	8
4 Handle	10
5 Gearmotor	13
6 circuit diagram	15
7 Tool kit	17
2 Mambo 2 (0319/2007 - 0720/2009)	18
1 Housing + Carriage	20
2 Electrical Installation	22
3 Machine	24
4 Handle	26
5 Gearmotor	29
6 circuit diagram	31
7 Tool kit	33
3 Mambo 2 (0721/2009 - today)	34
1 Housing + Carriage	36
2 Electrical Installation	38
3 Machine	40
4 Handle	42
17 Two-hand switch 20A	45
5 Gearmotor	47
6 circuit diagram	49
7 Tool kit	51

1 Mambo 2 (0001/2005 - 0318/2007)

Item no.	Article no.	Description
1	01_01_038504	Housing + Carriage
2	01_02_038504	Electrical Installation
3	01_03_038504	Machine
4	01_04_038429	Handle
5	01_05_037293	Gearmotor
6	01_06_037293	circuit diagram
7	01_07_054539	Tool kit

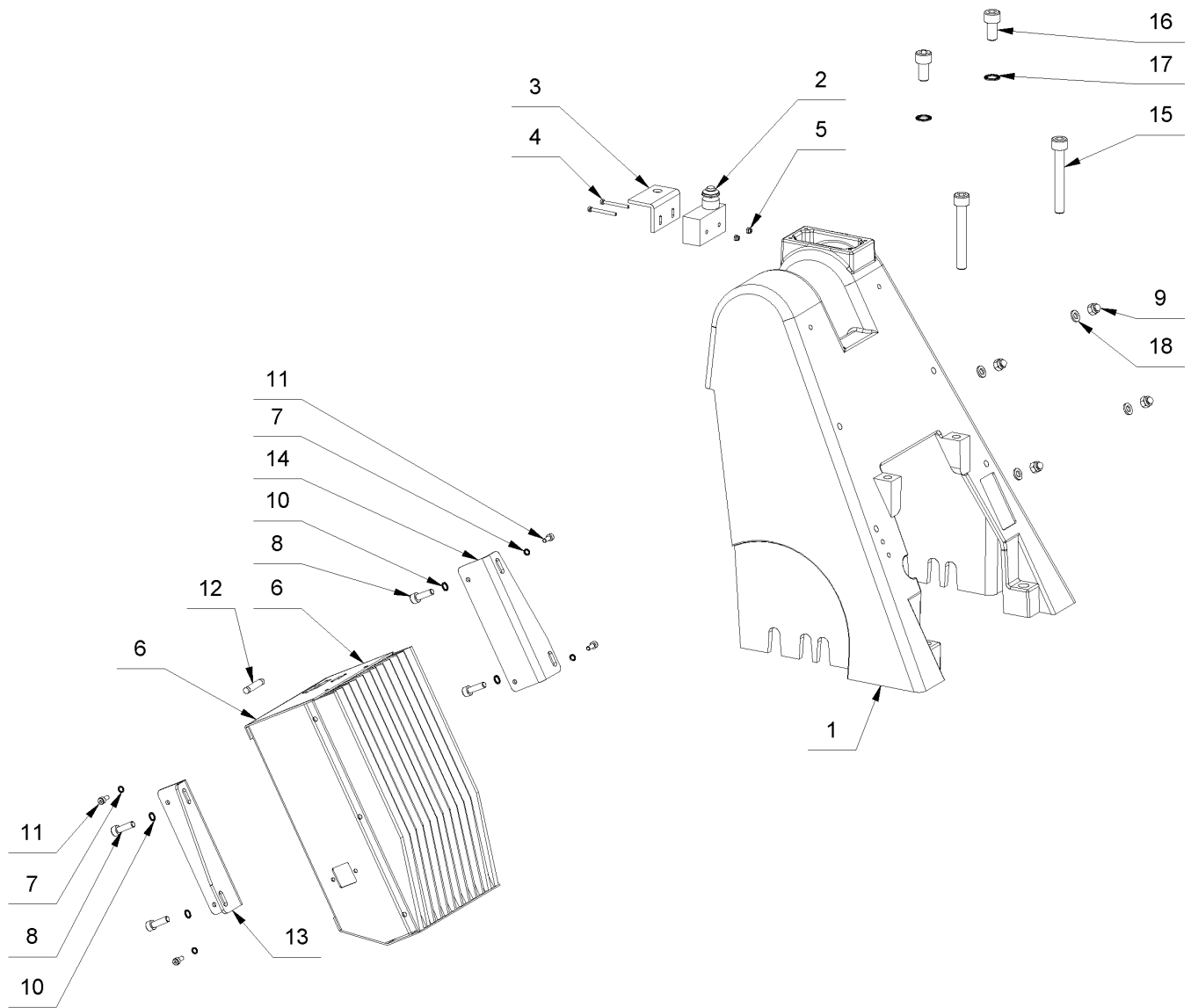
1 Housing + Carriage



1 Housing + Carriage

Item no.	Article no.	Description	Quantity
3	037955	Backboard cpl. 230V Mambo 2	1
8	017922	Wheel hub Mambo	2
15	017594	Handle with hollow Mambo	1
16	014804	Lens head screw M4x10 DIN 7985	3
17	014888	Wheel pin 4,2mm galv.	2
18	016995	Wing nut M8 PA6	2
19	014653	Plug socket Mambo	1
20	017637	Washer 13x37x3 DIN 9021	4
21	014645	Wheel Mambo+carriage pressure roll	2
22	017702	Countersunk screw M4x16 DIN 7991 10.9	4
23	014831	Washer 16mm DIN 125	4
34	037957	Chassis Mambo 2	1
43	037956	Euro bushing with cable	1
45	037967	Axle Mambo 2	1
46	037958	Chassis running gear Mambo 2	1
50	014815	Hexagon nut M6 DIN985	1
51	014827	Washer M6 DIN 125 A	1
53	014859	Schnorr washer M6	1
55	018236	Washer 10.5 DIN 9021	2
61	014731	Cylinder head screw M6x25 DIN 912	1
64	016138	Rubber stop	1
65	038290	Rectangle nut M10 Mambo2 see 73705	2
66	014735	Cylinder head screw M8x25 DIN 912	2
72	037952	Clamping lever GN300-92-M10-32 SW	2

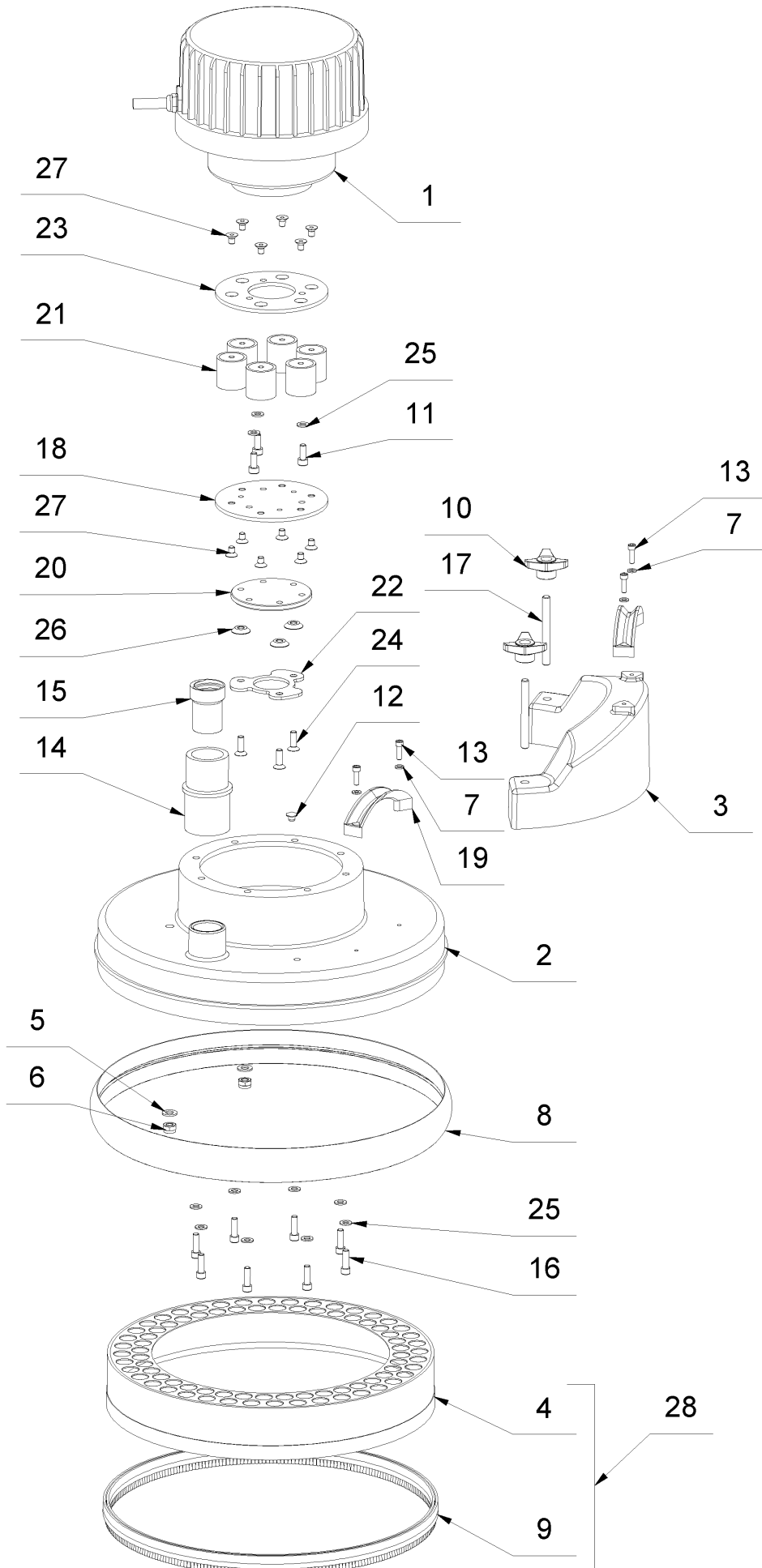
2 Electrical Installation



2 Electrical Installation

Item no.	Article no.	Description	Quantity
1	017830	Housing Mambo	1
2	014648	swich (handle adjustment) Mambo	1
3	017925	Holding device (f.switch) Mambo	1
4	017744	Cylinder head screw M3x30 DIN 912	2
5	017768	El.Stop-Nut M3 DIN 985	2
6	038286	ElektrbrushI230VMambo2SIEHESAP061420	1
7	016961	Snorr washer M4	4
8	014730	Cylinder head screw M 6x20 DIN 912	4
9	017728	cap nut M 6 DIN 986	4
10	014859	Schnorr washer M6	4
11	017680	Lens head screw M 4x25 DIN 7985	4
12	071416	Electrical fuse 6,3x32mm flink 20A	1
13	037962	Clamping device right eletric Mambo 2	1
14	037963	Clamping device left electric Mambo 2	1
15	014742	Cylinder head screw M10x70 DIN 912 12.9	2
16	018301	Cylinder head screw M10x20 DIN 912	2
17	014861	Washer M10	2
18	014827	Washer M6 DIN 125 A	4

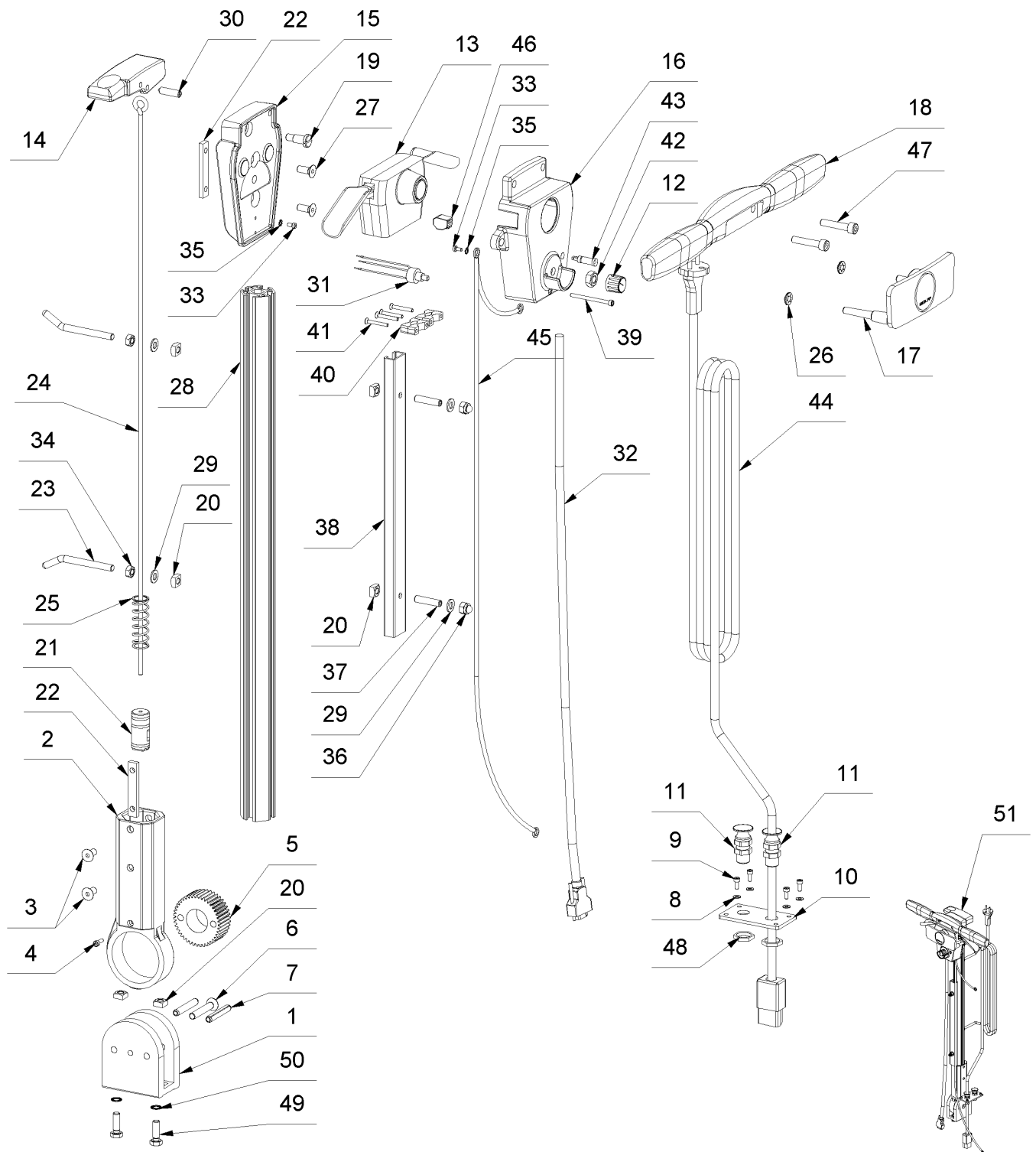
3 Machine



3 Machine

Item no.	Article no.	Description	Quantity
1	037293	Motor brushless 10:1 Mambo EVO	1
2	037933	Cover Mambo 2	1
3	038311	Additional weight Mambo 2	1
4	020995	Chip sealing ring	1
5	014829	Washer M10 DIN 125 A	2
6	014817	Hexagon nut M10 DIN 985	2
7	014859	Schnorr washer M6	4
8	018624	Bumper big Mambo	1
9	020993	Brush dust proof ring largely	1
10	037940	Three-star grip nut D63 x M10	2
11	014734	Cylinder head screw M8x20 DIN 912	3
12	050432	Stopper Ø8,5x15 black	1
13	014730	Cylinder head screw M 6x20 DIN 912	4
14	013339	End piece, Ø50mm T-Rex	1
15	015387	Suction nozzle short BS 180	1
16	037936	Socket Head Cap Screw 5/16"-18UNC x 2"	8
17	014789	Stud bolt M10x80 DIN 939 5.8 zined	2
18	037965	Flange down clutch Mambo 2	1
19	037954	Handle Mambo2/VarioSilent	2
20	037966	Intermediat flange Mambo 2	1
21	037951	Rubber metal buffer 40x40 IGM8 Typ C	6
22	015401	Clutch flange Mambo/Samba	1
23	037964	Flange above clutch Mambo 2	1
24	014761	Countersunk screw M8x25 DIN 7991 10.9	3
25	014860	Schnorr Washer M8	11
26	015402	Distance washer Mambo/Spider	3
27	038423	Counter sunk screw M8x12 DIN 7991 10.9	12
28	020747	Dust seal large cpl.	1

4 Handle



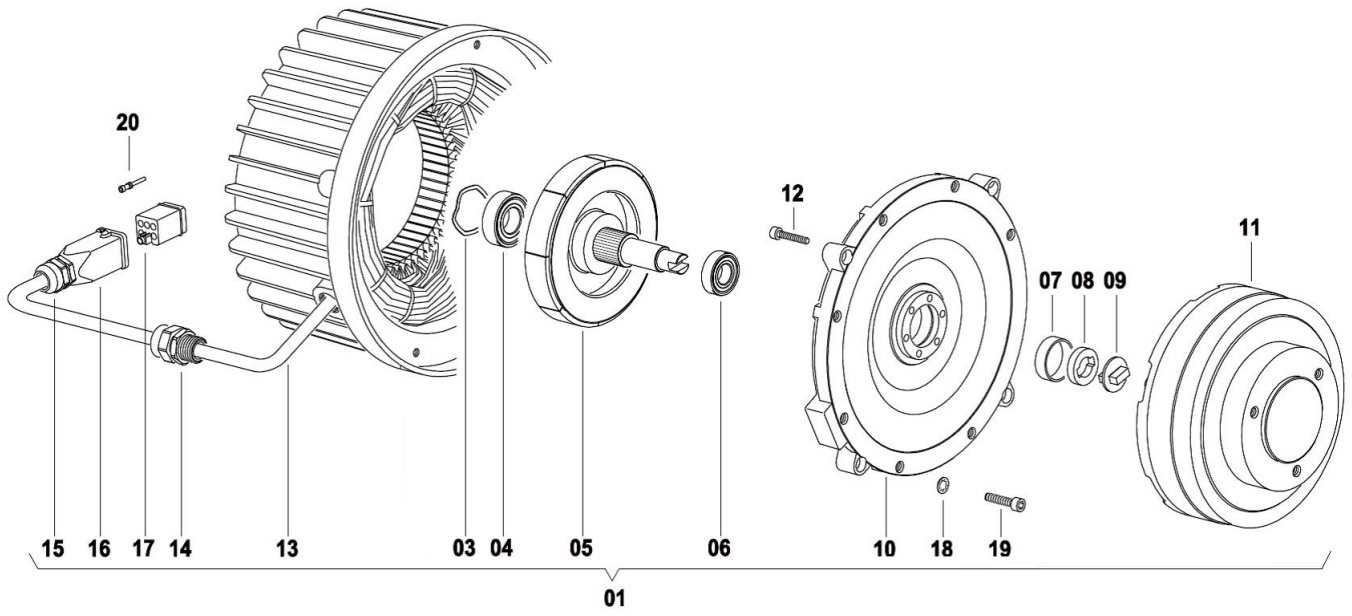
4 Handle

Item no.	Article no.	Description	Quantity
1	017872	Support chain wheel Mambo	1
2	060728	handle to exchange Mambo Evo	1
3	017698	Counter sunk screw M8x14 DIN 7991 10.9	2
4	018284	Cylinder head screw M4x12 DIN 912	1
5	015463	Gear rim	1
6	017631	Counter sunk screw M8X50 DIN 7991 10.9	1
7	018058	spring pin 8x50 DIN 1481	2
8	016961	Snorr washer M4	4
9	014717	Cylinder head screw M4x10 DIN 912	4
10	038502	Plate Mambo 2	1
11	038285	Funnel PG screw connection M16x1,5	2
12	014647	Knob with cover f.potentiometer	1
13	015000	Two-hand switch 20A	1
14	017894	Pusher Mambo	1
15	017858	Basic carrier handle Mambo	1
16	017875	Switch housing Mambo	1
17	017901	Pressing plate Mambo	1
18	015421	Foam handle SEE 86091 long/86092 short	1
19	017632	Flat head screw M 8x16 DIN 923	1
20	017605	Square nut M8 DIN 557	6
21	015462	Piston for gear rim	1
22	015431	Flat connecting block	2
23	015427	Cable holder	2
24	017592	Control rod Mambo	1
25	014898	Pressure spring VD-247C / 20,50x62x2	1
26	014880	Starlock d 8 with cap	2
27	014759	Countersunk screw M8x18 DIN 7991 10.9	2
28	017843	Profile handle Mambo	1
29	014828	Washer M8 DIN 125 A	4
30	017523	Headless pin M 8x30 DIN 914	1
31	037939	Potentiometer 5KOhm with cable	1
32	038032	Control cable Mambo 2	1
33	017473	Cylinder head screw M4x8 DIN 84 brass	2
34	014810	Hexagon nut M 8 DIN 934 I6I/I8I	2

4 Handle

Item no.	Article no.	Description	Quantity
35	017663	Tooth lock washer 4.3 Form A DIN 6797	2
36	014825	Cap nut M8 DIN 986	2
37	014790	Thread pin M8x35 DIN 913	2
38	038289	Cable channel Mambo 2	1
39	017639	Cylinder head screw M4x55 DIN 912	1
40	017709	Cable clamp plastic	4
41	017680	Lens head screw M 4x25 DIN 7985	4
42	014811	Hexagon nut M 10 DIN 934	1
43	083823	LED for signal lamp	1
44	061407	El.cord 3x2,5 ² x1,1m grey Mambo EVO	1
45	038838	Gounding electrode 2,5qmm Mambo 2	1
46	050146	Connecting terminal 2-fold	1
47	014738	Cylinder head screw M 8x40 DIN 912	2
48	019182	Lock nut PG 11	2
49	014775	Hexagon bolt M 8x25 DIN 933	2
50	014860	Schnorr Washer M8	2
51	038429	Handle cpl. 230V/50Hz Mambo2	1

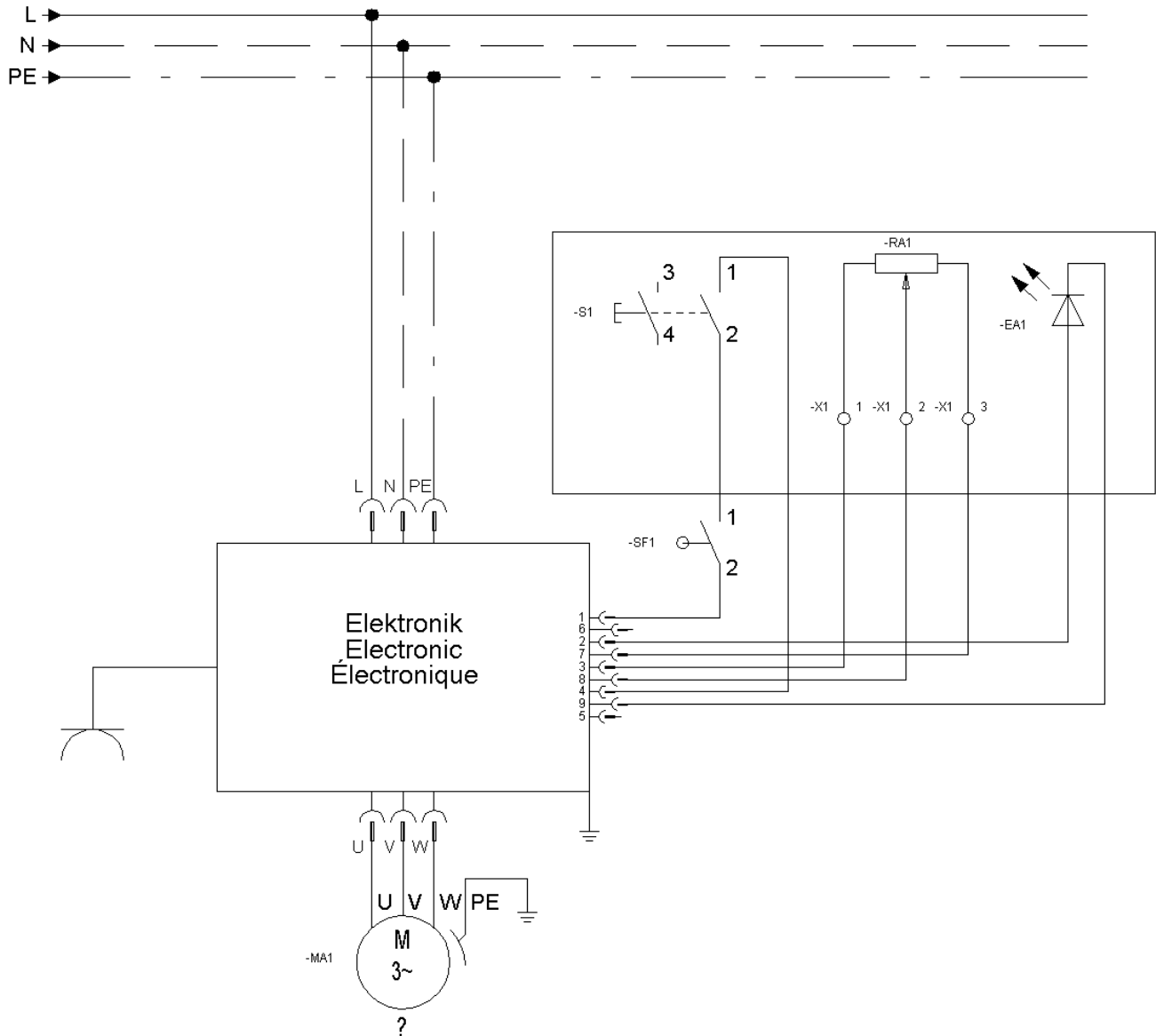
5 Gearmotor



5 Gearmotor

Item no.	Article no.	Description	Quantity
01	037293	Complete motor	1
03	073323	Spring washer f.Motor Mambo	1
04	017210	Ball bearing 6203 2RS Eco-Motor	1
05	067882	Axle w.rotor Mambo Evo	1
06	014702	Ball-bearing 6002 2RS	1
07	064752	Spacer motor brushless Mambo 2	1
08	064753	Driving plate motor brushless Mambo 2	1
09	084248	Coupling piece motor Mambo/Spider	1
10	079171	Bearing plate motor Mambo	1
11	076998	Gearbox 10:1 MamboEvo	1
12	059872	Cylinder head screw 10-32 UNFx1 1/4ähnl	6
13		Cable	1
14	019299	Bolt joint PG 13.5 50013 PA	1
15	014992	Protective cut-out switch	1
16	079237	Housing	1
17	079236	Pinhole	1
18	014859	Schnorr washer M6	4
19	014731	Cylinder head screw M6x25 DIN 912	4
20		Crimpkontakte	5
o.Abb.	059858	O-Ring 150x2	1
o.Abb.	052320	O-Ring 50x2	6
o.Abb.	059860	Sealing Ring Cu A 5x 9 DIN 7603	6
o.Abb.	037936	Socket Head Cap Screw 5/16"-18UNC x 2"	6

6 circuit diagram

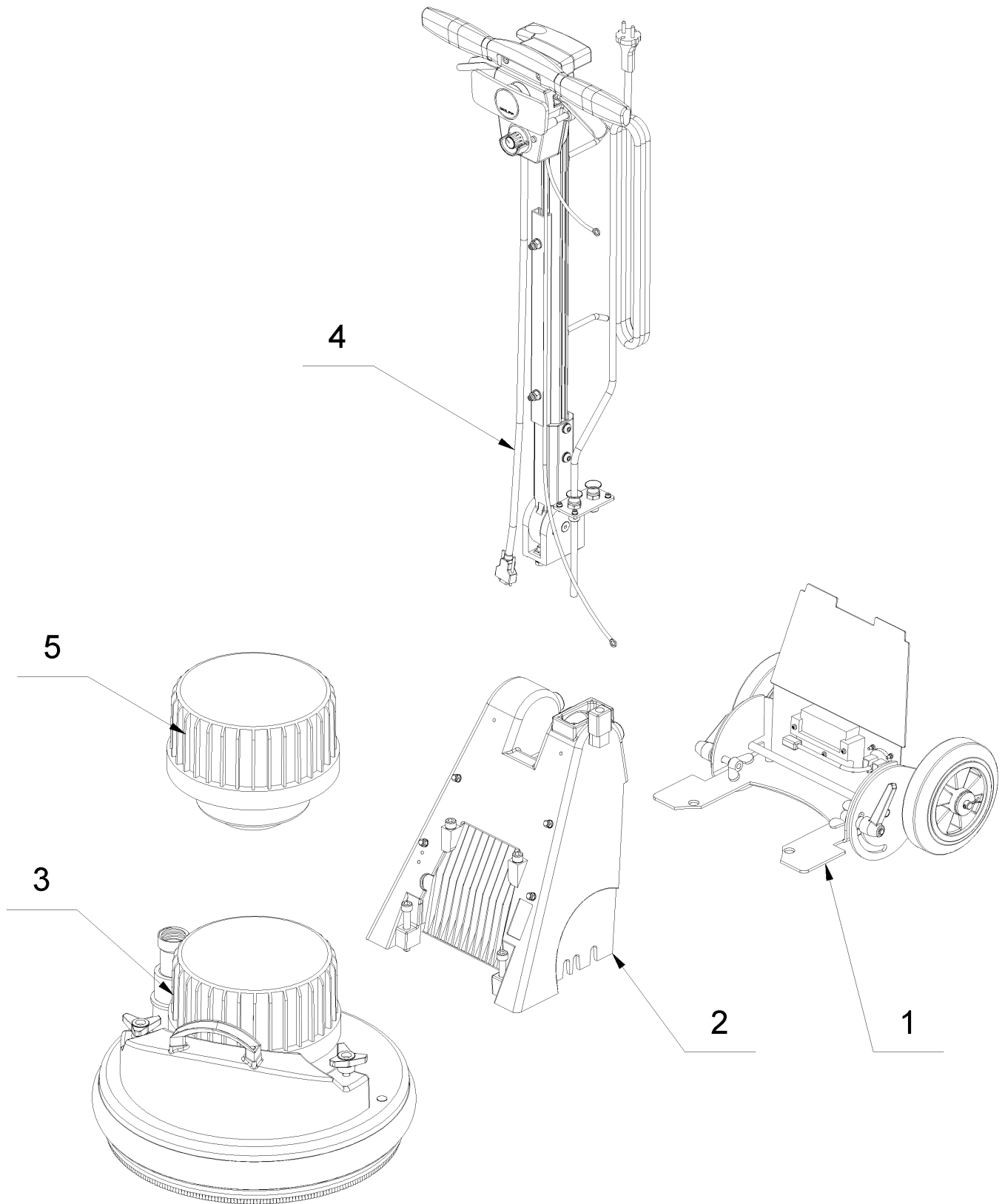


6 circuit diagram

7 Tool kit

Item no.	Article no.	Description	Quantity
1	054064	Tool bag green - Wolff	1
2	038422	Technical instructions Mambo 2 3-spoke	1
3	015315	Hearing protectors	1

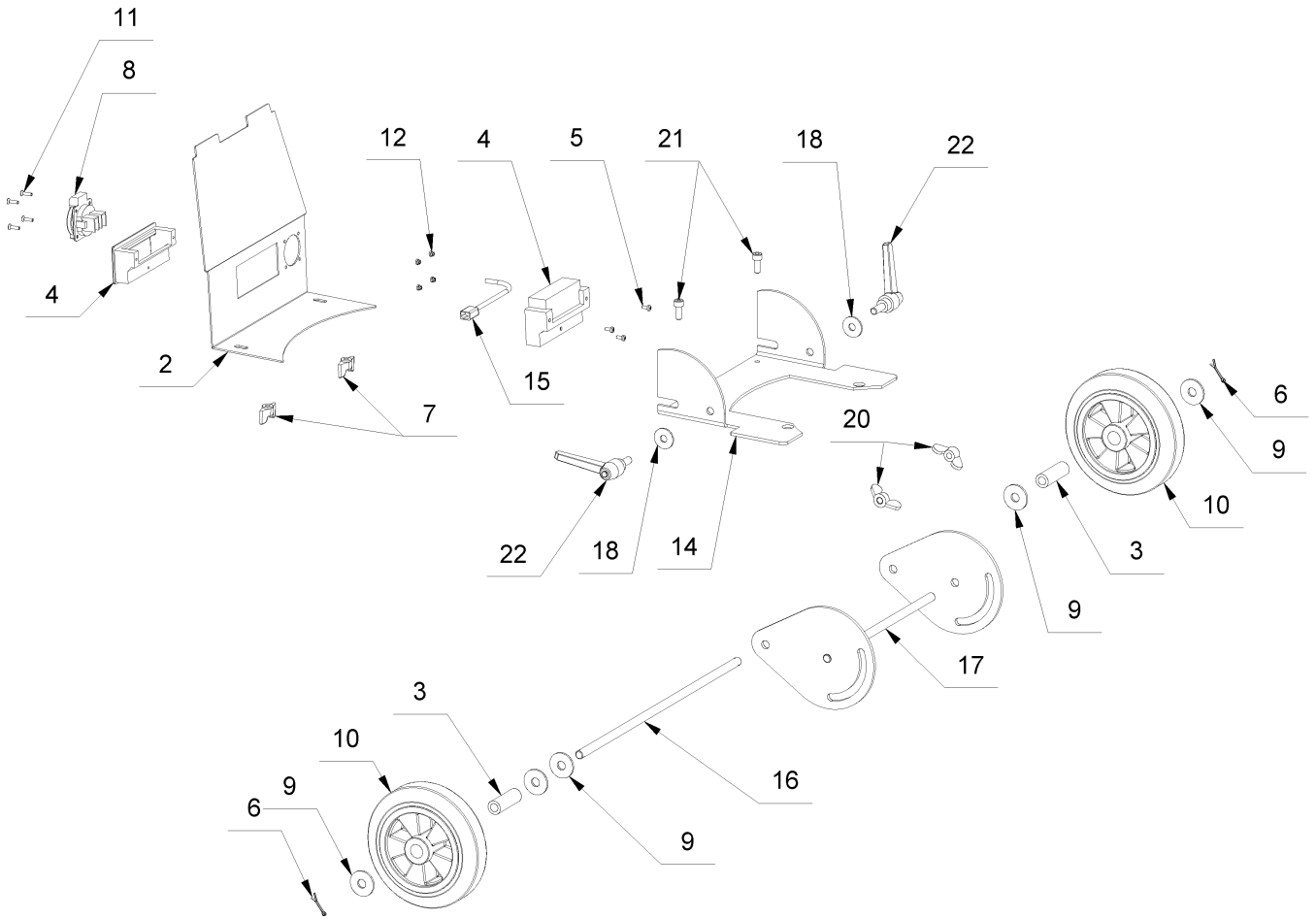
2 Mambo 2 (0319/2007 - 0720/2009)



2 Mambo 2 (0319/2007 - 0720/2009)

Item no.	Article no.	Description
1	01_01_061804	Housing + Carriage
2	02_02_038504	Electrical Installation
3	01_03_038504	Machine
4	01_04_038429	Handle
5	01_05_037293	Gearmotor
6	01_06_037293	circuit diagram
7	01_07_054539	Tool kit

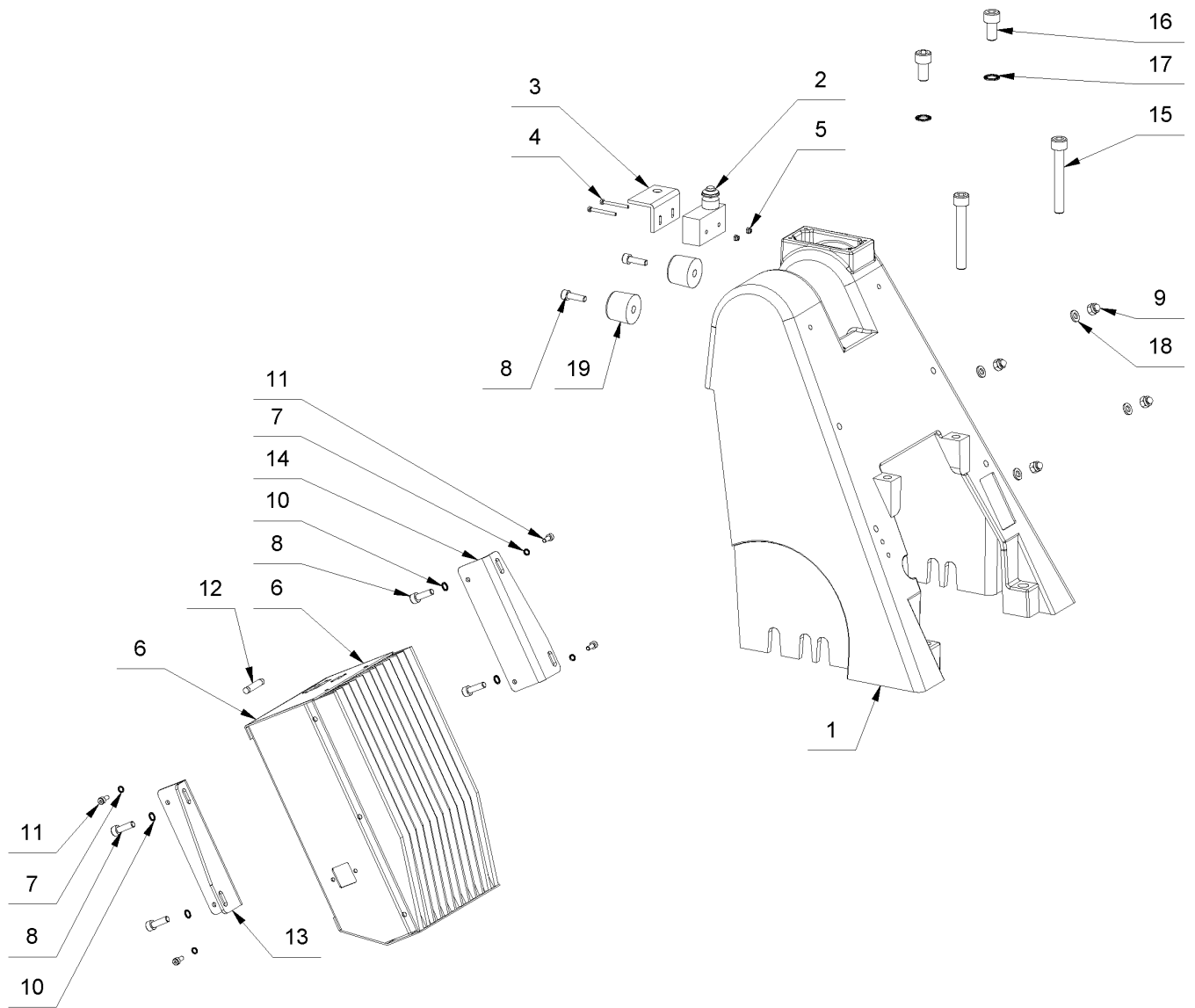
1 Housing + Carriage



1 Housing + Carriage

Item no.	Article no.	Description	Quantity
2	037955	Backboard cpl. 230V Mambo 2	1
3	017922	Wheel hub Mambo	2
4	017594	Handle with hollow Mambo	1
5	014804	Lens head screw M4x10 DIN 7985	3
6	018806	Split pin 3,2x25 DIN 94	2
7	016995	Wing nut M8 PA6	2
8	014653	Plug socket Mambo	1
9	017637	Washer 13x37x3 DIN 9021	5
10	014645	Wheel Mambo+carriage pressure roll	2
11	017702	Countersunk screw M4x16 DIN 7991 10.9	4
12	014813	Hexagon nut M4 DIN 985	4
14	037957	Chassis Mambo 2	1
15	037956	Euro bushing with cable	1
16	037967	Axle Mambo 2	1
17	037958	Chassis running gear Mambo 2	1
18	018236	Washer 10.5 DIN 9021	2
20	073705	Wing nut M10 DIN 315	2
21	014734	Cylinder head screw M8x20 DIN 912	2
22	037952	Clamping lever GN300-92-M10-32 SW	2

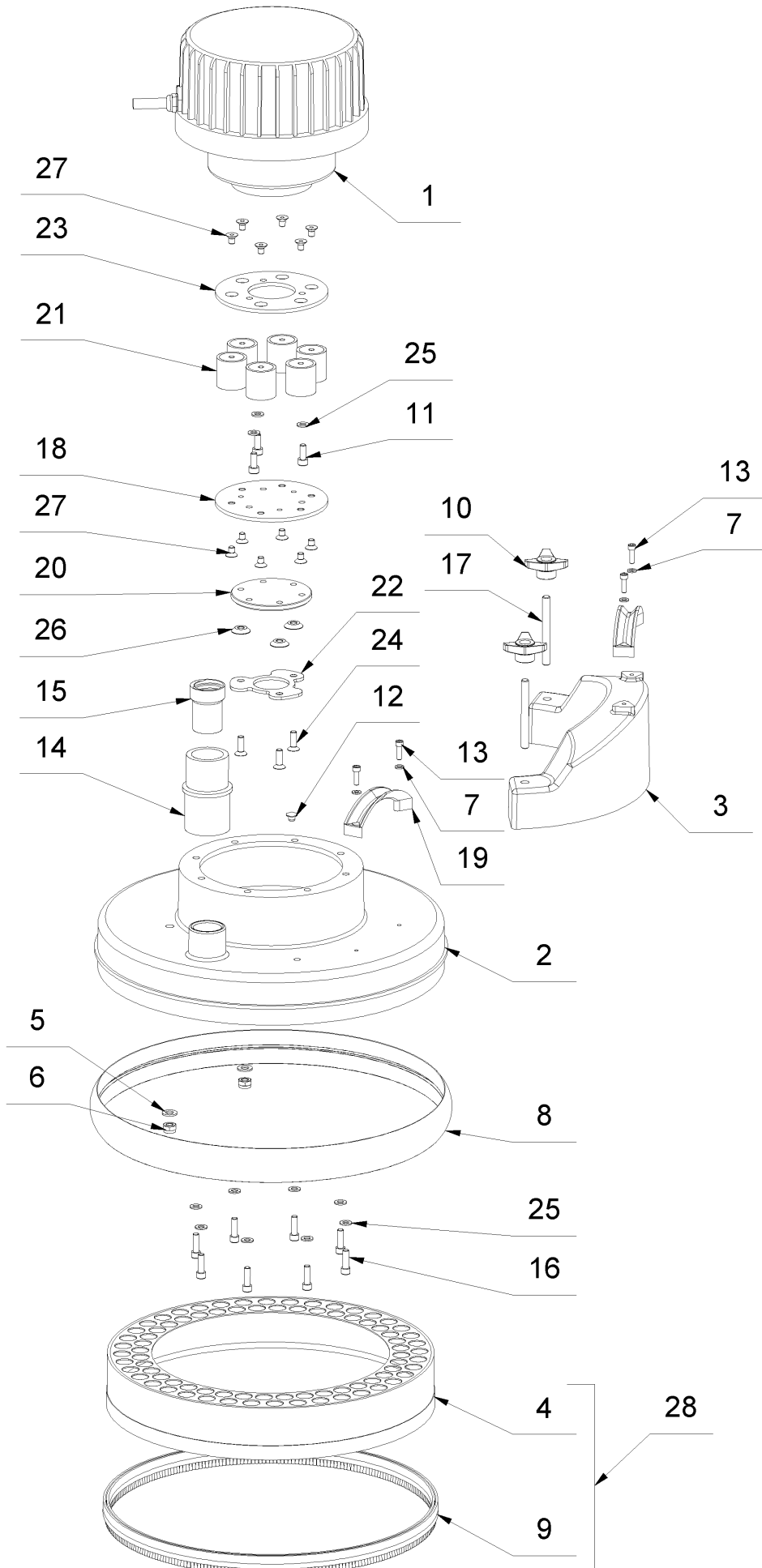
2 Electrical Installation



2 Electrical Installation

Item no.	Article no.	Description	Quantity
1	017830	Housing Mambo	1
2	014648	swich (handle adjustment) Mambo	1
3	017925	Holding device (f.switch) Mambo	1
4	017744	Cylinder head screw M3x30 DIN 912	2
5	017768	El.Stop-Nut M3 DIN 985	2
6	038286	ElektrbrushI230VMambo2SIEHESAP061420	1
7	016961	Snorr washer M4	4
8	014730	Cylinder head screw M 6x20 DIN 912	6
9	017728	cap nut M 6 DIN 986	4
10	014859	Schnorr washer M6	4
11	017680	Lens head screw M 4x25 DIN 7985	4
12	071416	Electrical fuse 6,3x32mm flink 20A	1
13	037962	Clamping device right eletric Mambo 2	1
14	037963	Clamping device left electric Mambo 2	1
15	014742	Cylinder head screw M10x70 DIN 912 12.9	2
16	018301	Cylinder head screw M10x20 DIN 912	2
17	014861	Washer M10	2
18	014827	Washer M6 DIN 125 A	4
19	016138	Rubber stop	2

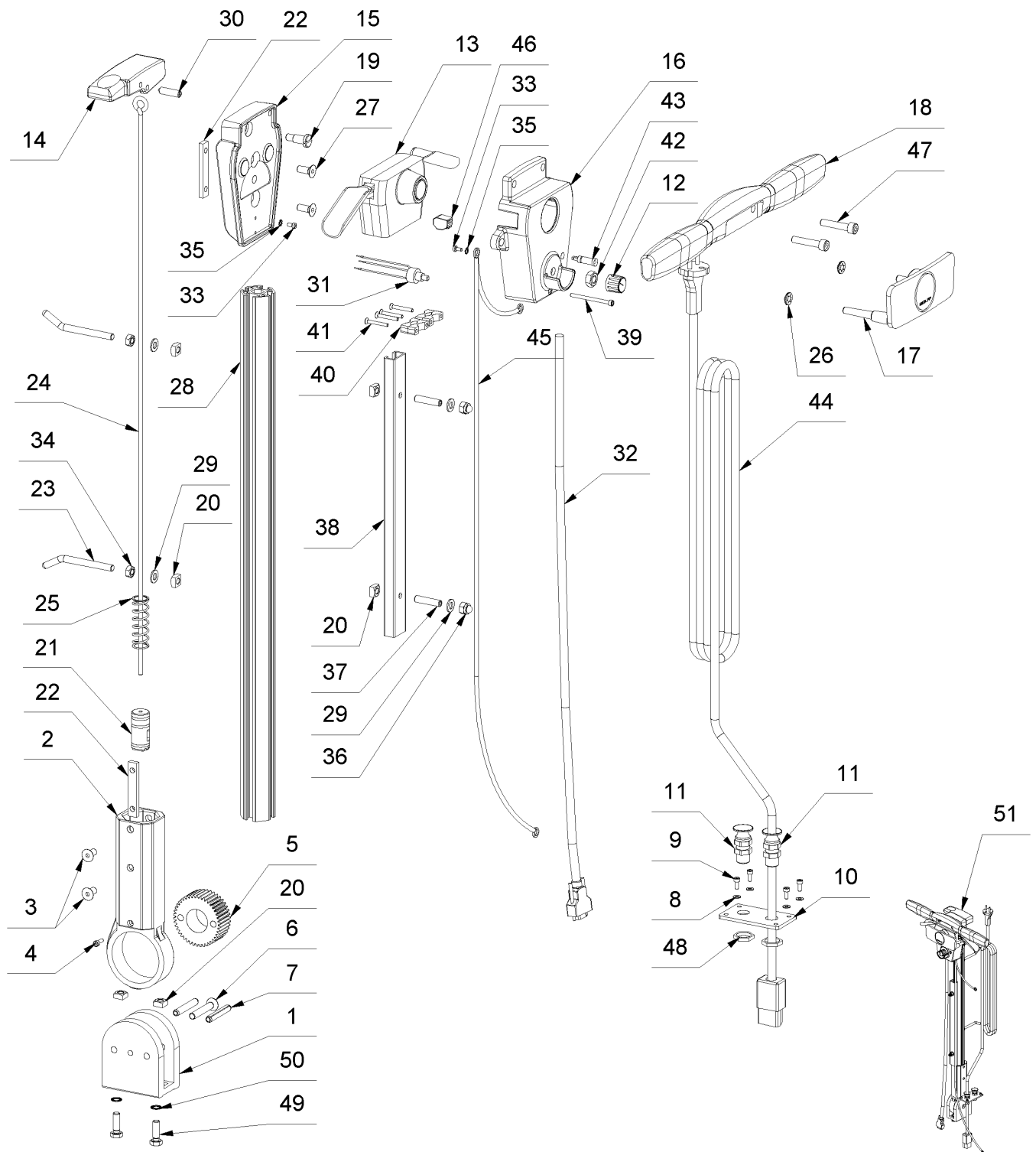
3 Machine



3 Machine

Item no.	Article no.	Description	Quantity
1	037293	Motor brushless 10:1 Mambo EVO	1
2	037933	Cover Mambo 2	1
3	038311	Additional weight Mambo 2	1
4	020995	Chip sealing ring	1
5	014829	Washer M10 DIN 125 A	2
6	014817	Hexagon nut M10 DIN 985	2
7	014859	Schnorr washer M6	4
8	018624	Bumper big Mambo	1
9	020993	Brush dust proof ring largely	1
10	037940	Three-star grip nut D63 x M10	2
11	014734	Cylinder head screw M8x20 DIN 912	3
12	050432	Stopper Ø8,5x15 black	1
13	014730	Cylinder head screw M 6x20 DIN 912	4
14	013339	End piece, Ø50mm T-Rex	1
15	015387	Suction nozzle short BS 180	1
16	037936	Socket Head Cap Screw 5/16"-18UNC x 2"	8
17	014789	Stud bolt M10x80 DIN 939 5.8 zinced	2
18	037965	Flange down clutch Mambo 2	1
19	037954	Handle Mambo2/VarioSilent	2
20	037966	Intermediat flange Mambo 2	1
21	037951	Rubber metal buffer 40x40 IGM8 Typ C	6
22	015401	Clutch flange Mambo/Samba	1
23	037964	Flange above clutch Mambo 2	1
24	014761	Countersunk screw M8x25 DIN 7991 10.9	3
25	014860	Schnorr Washer M8	11
26	015402	Distance washer Mambo/Spider	3
27	038423	Counter sunk screw M8x12 DIN 7991 10.9	12
28	020747	Dust seal large cpl.	1

4 Handle



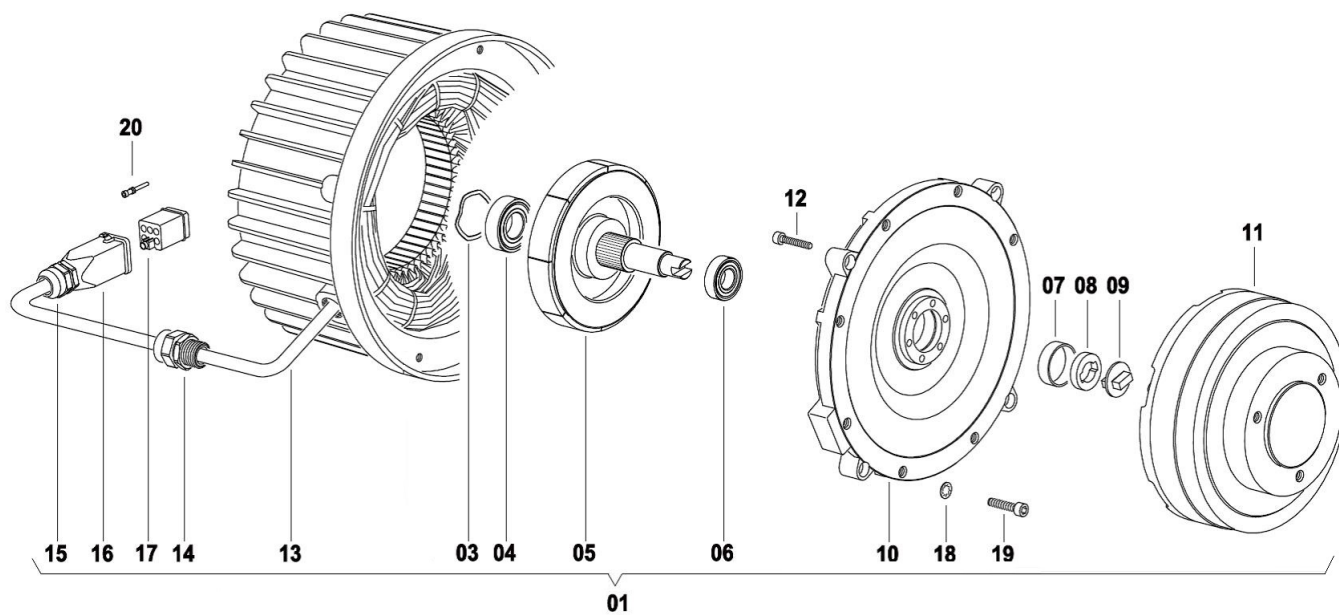
4 Handle

Item no.	Article no.	Description	Quantity
1	017872	Support chain wheel Mambo	1
2	060728	handle to exchange Mambo Evo	1
3	017698	Counter sunk screw M8x14 DIN 7991 10.9	2
4	018284	Cylinder head screw M4x12 DIN 912	1
5	015463	Gear rim	1
6	017631	Counter sunk screw M8X50 DIN 7991 10.9	1
7	018058	spring pin 8x50 DIN 1481	2
8	016961	Snorr washer M4	4
9	014717	Cylinder head screw M4x10 DIN 912	4
10	038502	Plate Mambo 2	1
11	038285	Funnel PG screw connection M16x1,5	2
12	014647	Knob with cover f.potentiometer	1
13	015000	Two-hand switch 20A	1
14	017894	Pusher Mambo	1
15	017858	Basic carrier handle Mambo	1
16	017875	Switch housing Mambo	1
17	017901	Pressing plate Mambo	1
18	015421	Foam handle SEE 86091 long/86092 short	1
19	017632	Flat head screw M 8x16 DIN 923	1
20	017605	Square nut M8 DIN 557	6
21	015462	Piston for gear rim	1
22	015431	Flat connecting block	2
23	015427	Cable holder	2
24	017592	Control rod Mambo	1
25	014898	Pressure spring VD-247C / 20,50x62x2	1
26	014880	Starlock d 8 with cap	2
27	014759	Countersunk screw M8x18 DIN 7991 10.9	2
28	017843	Profile handle Mambo	1
29	014828	Washer M8 DIN 125 A	4
30	017523	Headless pin M 8x30 DIN 914	1
31	037939	Potentiometer 5KOhm with cable	1
32	038032	Control cable Mambo 2	1
33	017473	Cylinder head screw M4x8 DIN 84 brass	2
34	014810	Hexagon nut M 8 DIN 934 I6I/I8I	2

4 Handle

Item no.	Article no.	Description	Quantity
35	017663	Tooth lock washer 4.3 Form A DIN 6797	2
36	014825	Cap nut M8 DIN 986	2
37	014790	Thread pin M8x35 DIN 913	2
38	038289	Cable channel Mambo 2	1
39	017639	Cylinder head screw M4x55 DIN 912	1
40	017709	Cable clamp plastic	4
41	017680	Lens head screw M 4x25 DIN 7985	4
42	014811	Hexagon nut M 10 DIN 934	1
43	083823	LED for signal lamp	1
44	061407	El.cord 3x2,5 ² x1,1m grey Mambo EVO	1
45	038838	Gounding electrode 2,5qmm Mambo 2	1
46	050146	Connecting terminal 2-fold	1
47	014738	Cylinder head screw M 8x40 DIN 912	2
48	019182	Lock nut PG 11	2
49	014775	Hexagon bolt M 8x25 DIN 933	2
50	014860	Schnorr Washer M8	2
51	038429	Handle cpl. 230V/50Hz Mambo2	1

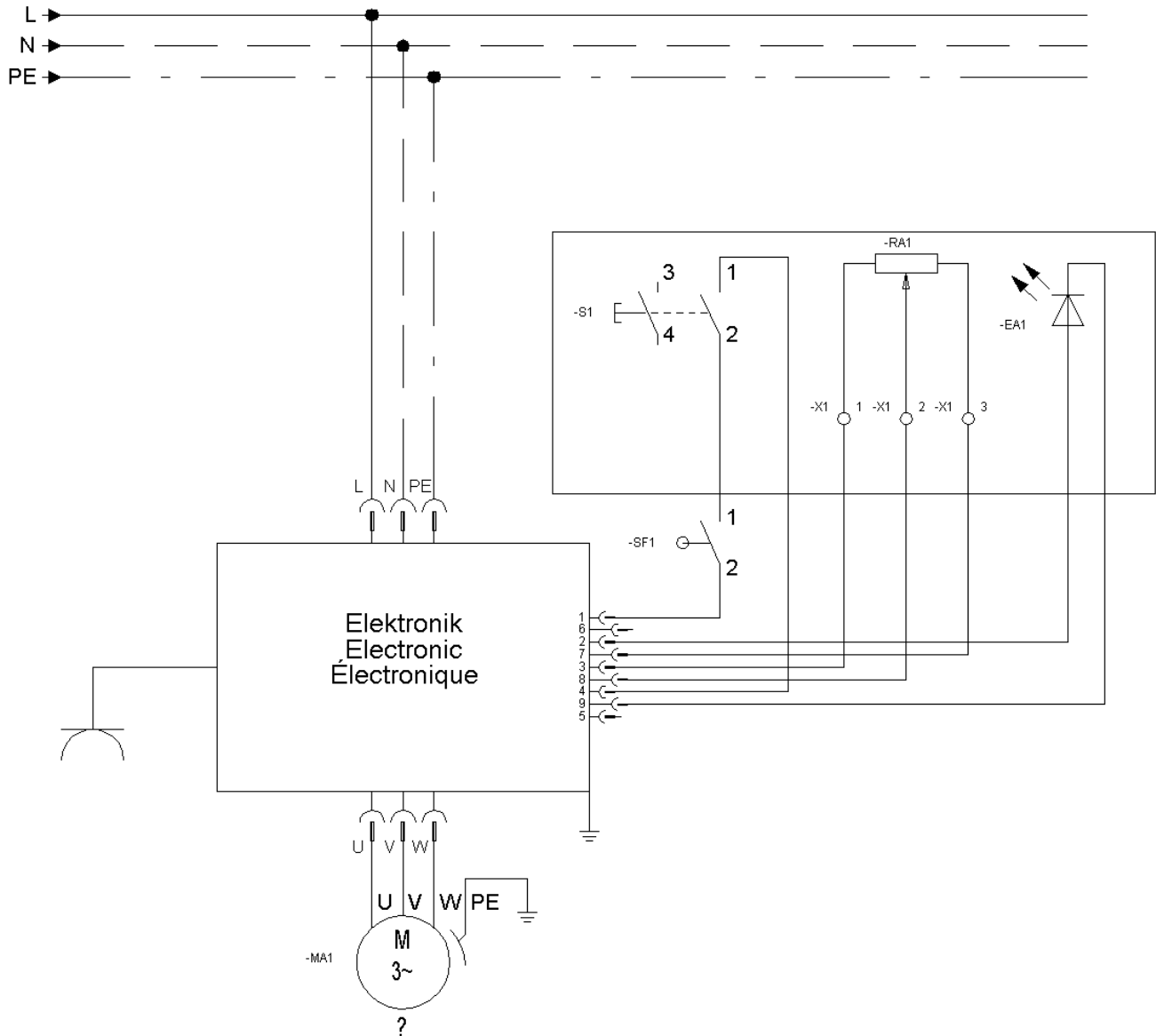
5 Gearmotor



5 Gearmotor

Item no.	Article no.	Description	Quantity
01	037293	Complete motor	1
03	073323	Spring washer f.Motor Mambo	1
04	017210	Ball bearing 6203 2RS Eco-Motor	1
05	067882	Axle w.rotor Mambo Evo	1
06	014702	Ball-bearing 6002 2RS	1
07	064752	Spacer motor brushless Mambo 2	1
08	064753	Driving plate motor brushless Mambo 2	1
09	084248	Coupling piece motor Mambo/Spider	1
10	079171	Bearing plate motor Mambo	1
11	076998	Gearbox 10:1 MamboEvo	1
12	059872	Cylinder head screw 10-32 UNFx1 1/4ähnl	6
13		Cable	1
14	019299	Bolt joint PG 13.5 50013 PA	1
15	014992	Protective cut-out switch	1
16	079237	Housing	1
17	079236	Pinhole	1
18	014859	Schnorr washer M6	4
19	014731	Cylinder head screw M6x25 DIN 912	4
20		Crimpkontakte	5
o.Abb.	059858	O-Ring 150x2	1
o.Abb.	052320	O-Ring 50x2	6
o.Abb.	059860	Sealing Ring Cu A 5x 9 DIN 7603	6
o.Abb.	037936	Socket Head Cap Screw 5/16"-18UNC x 2"	6

6 circuit diagram

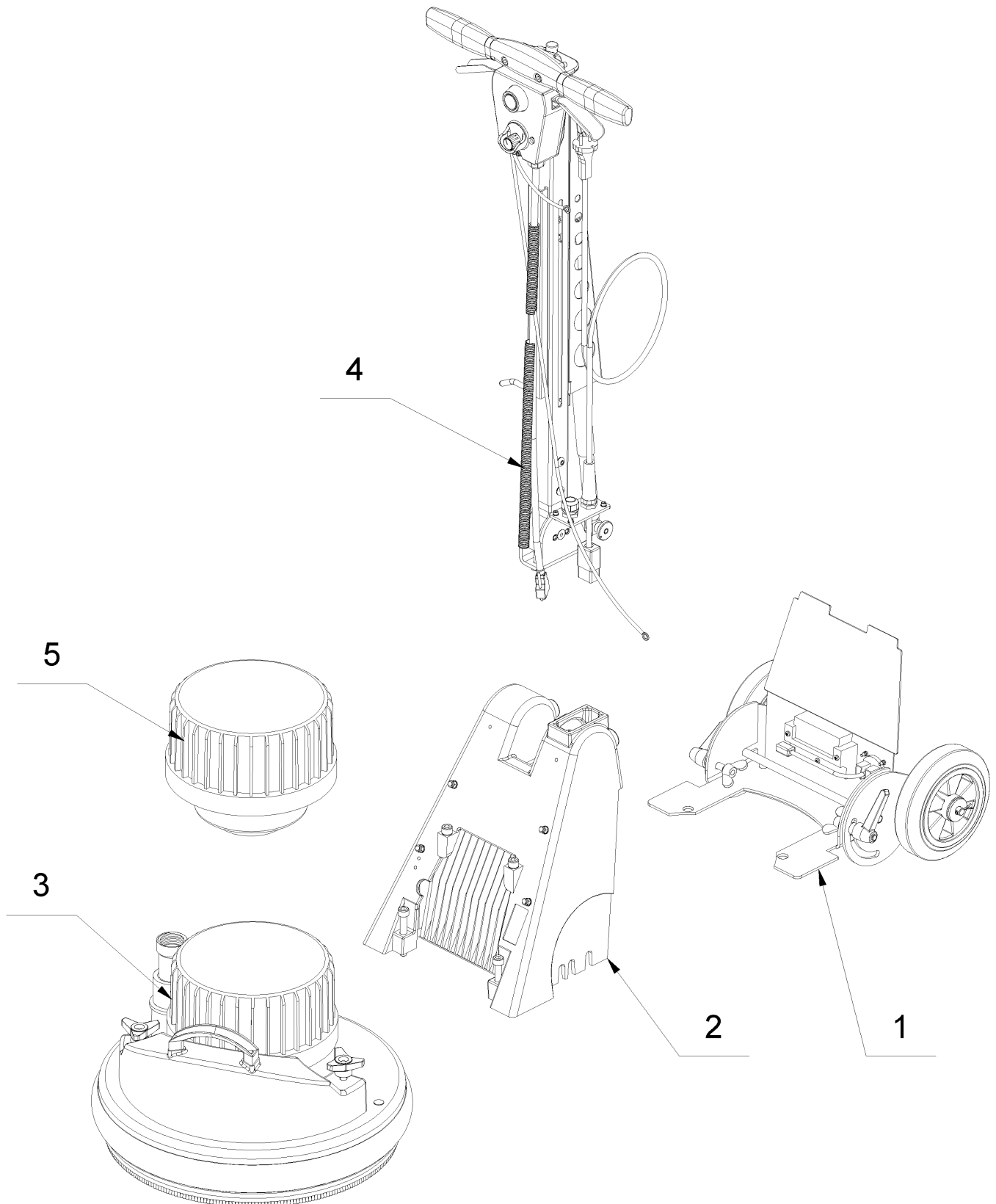


6 circuit diagram

7 Tool kit

Item no.	Article no.	Description	Quantity
1	054064	Tool bag green - Wolff	1
2	038422	Technical instructions Mambo 2 3-spoke	1
3	015315	Hearing protectors	1

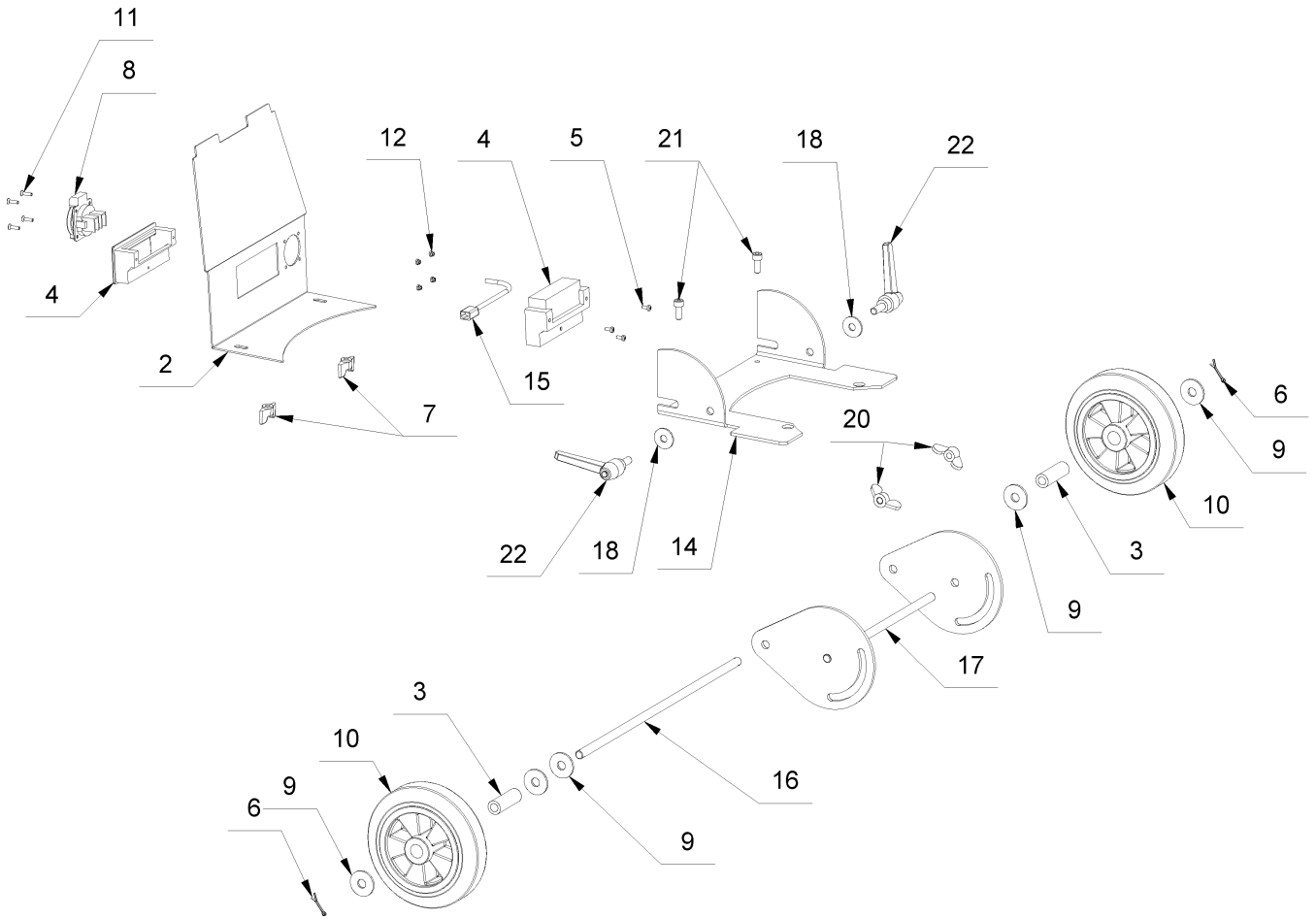
3 Mambo 2 (0721/2009 - today)



3 Mambo 2 (0721/2009 - today)

Item no.	Article no.	Description
1	01_01_061804	Housing + Carriage
2	02_02_038504	Electrical Installation
3	01_03_061804	Machine
4	03_04_038429	Handle
5	01_05_037293	Gearmotor
6	01_06_037293	circuit diagram
7	01_07_054539	Tool kit

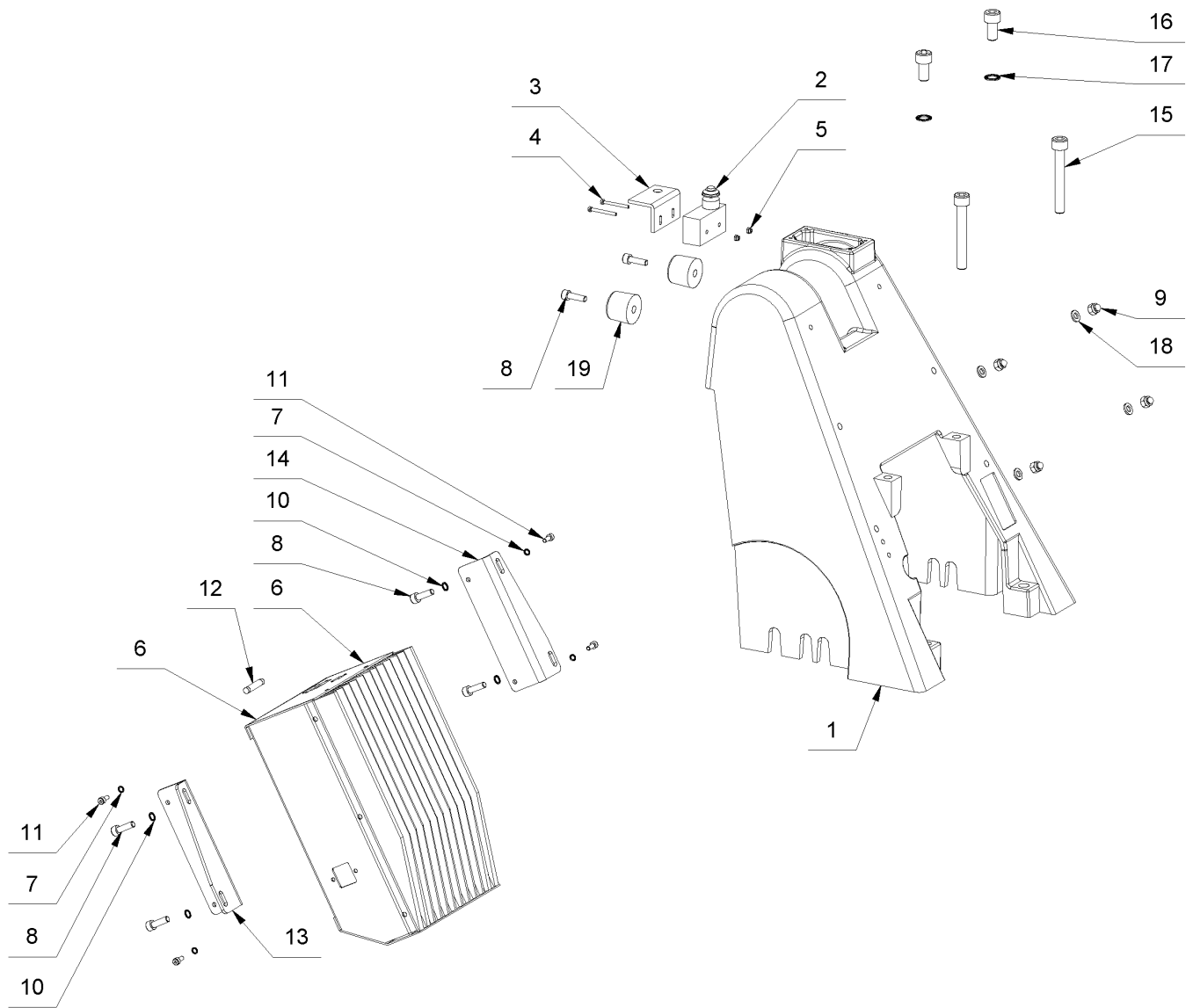
1 Housing + Carriage



1 Housing + Carriage

Item no.	Article no.	Description	Quantity
2	037955	Backboard cpl. 230V Mambo 2	1
3	017922	Wheel hub Mambo	2
4	017594	Handle with hollow Mambo	1
5	014804	Lens head screw M4x10 DIN 7985	3
6	018806	Split pin 3,2x25 DIN 94	2
7	016995	Wing nut M8 PA6	2
8	014653	Plug socket Mambo	1
9	017637	Washer 13x37x3 DIN 9021	5
10	014645	Wheel Mambo+carriage pressure roll	2
11	017702	Countersunk screw M4x16 DIN 7991 10.9	4
12	014813	Hexagon nut M4 DIN 985	4
14	037957	Chassis Mambo 2	1
15	037956	Euro bushing with cable	1
16	037967	Axle Mambo 2	1
17	037958	Chassis running gear Mambo 2	1
18	018236	Washer 10.5 DIN 9021	2
20	073705	Wing nut M10 DIN 315	2
21	014734	Cylinder head screw M8x20 DIN 912	2
22	037952	Clamping lever GN300-92-M10-32 SW	2

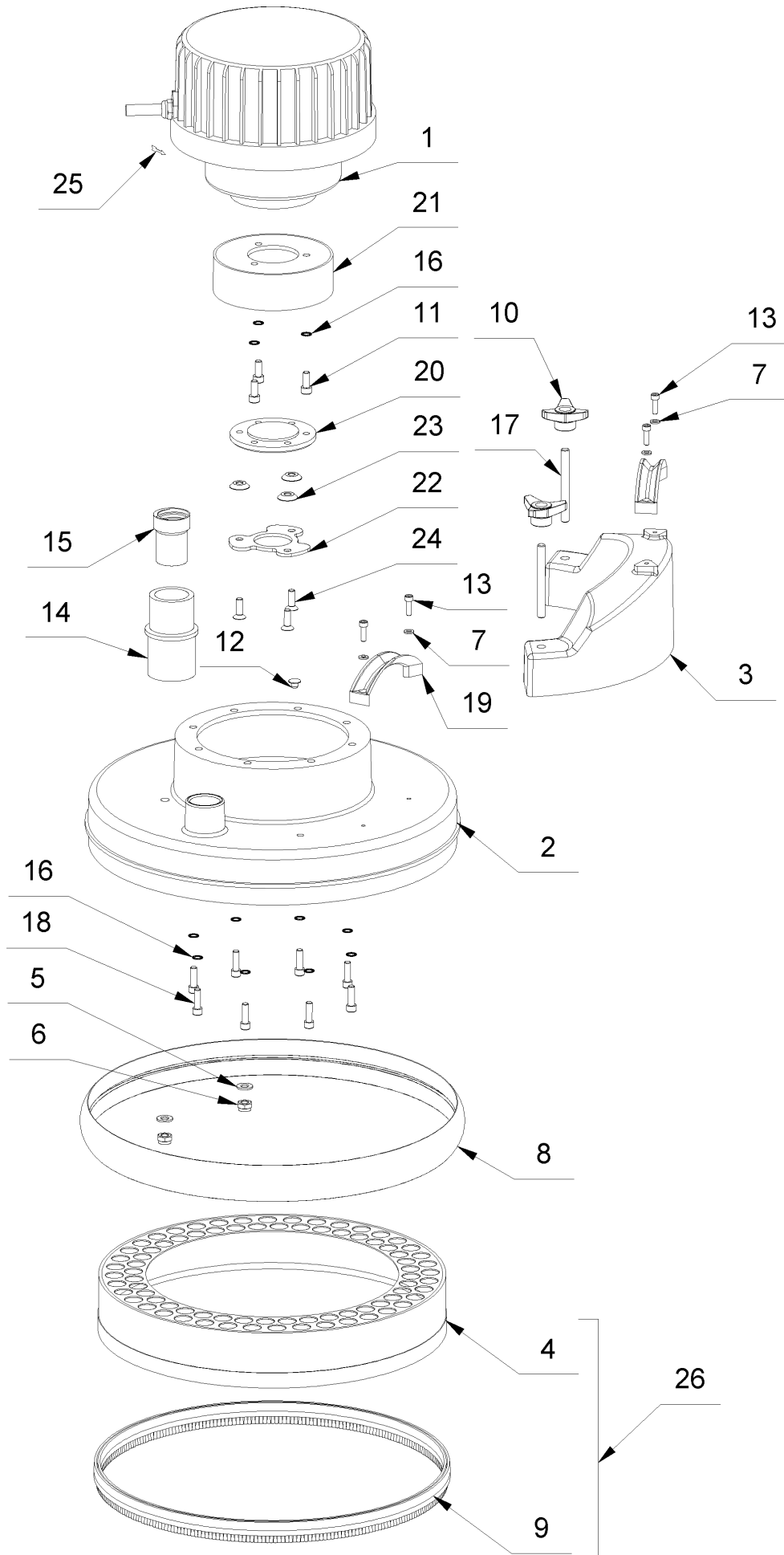
2 Electrical Installation



2 Electrical Installation

Item no.	Article no.	Description	Quantity
1	017830	Housing Mambo	1
2	014648	swich (handle adjustment) Mambo	1
3	017925	Holding device (f.switch) Mambo	1
4	017744	Cylinder head screw M3x30 DIN 912	2
5	017768	El.Stop-Nut M3 DIN 985	2
6	038286	ElektrbrushI230VMambo2SIEHESAP061420	1
7	016961	Snorr washer M4	4
8	014730	Cylinder head screw M 6x20 DIN 912	6
9	017728	cap nut M 6 DIN 986	4
10	014859	Schnorr washer M6	4
11	017680	Lens head screw M 4x25 DIN 7985	4
12	071416	Electrical fuse 6,3x32mm flink 20A	1
13	037962	Clamping device right eletric Mambo 2	1
14	037963	Clamping device left electric Mambo 2	1
15	014742	Cylinder head screw M10x70 DIN 912 12.9	2
16	018301	Cylinder head screw M10x20 DIN 912	2
17	014861	Washer M10	2
18	014827	Washer M6 DIN 125 A	4
19	016138	Rubber stop	2

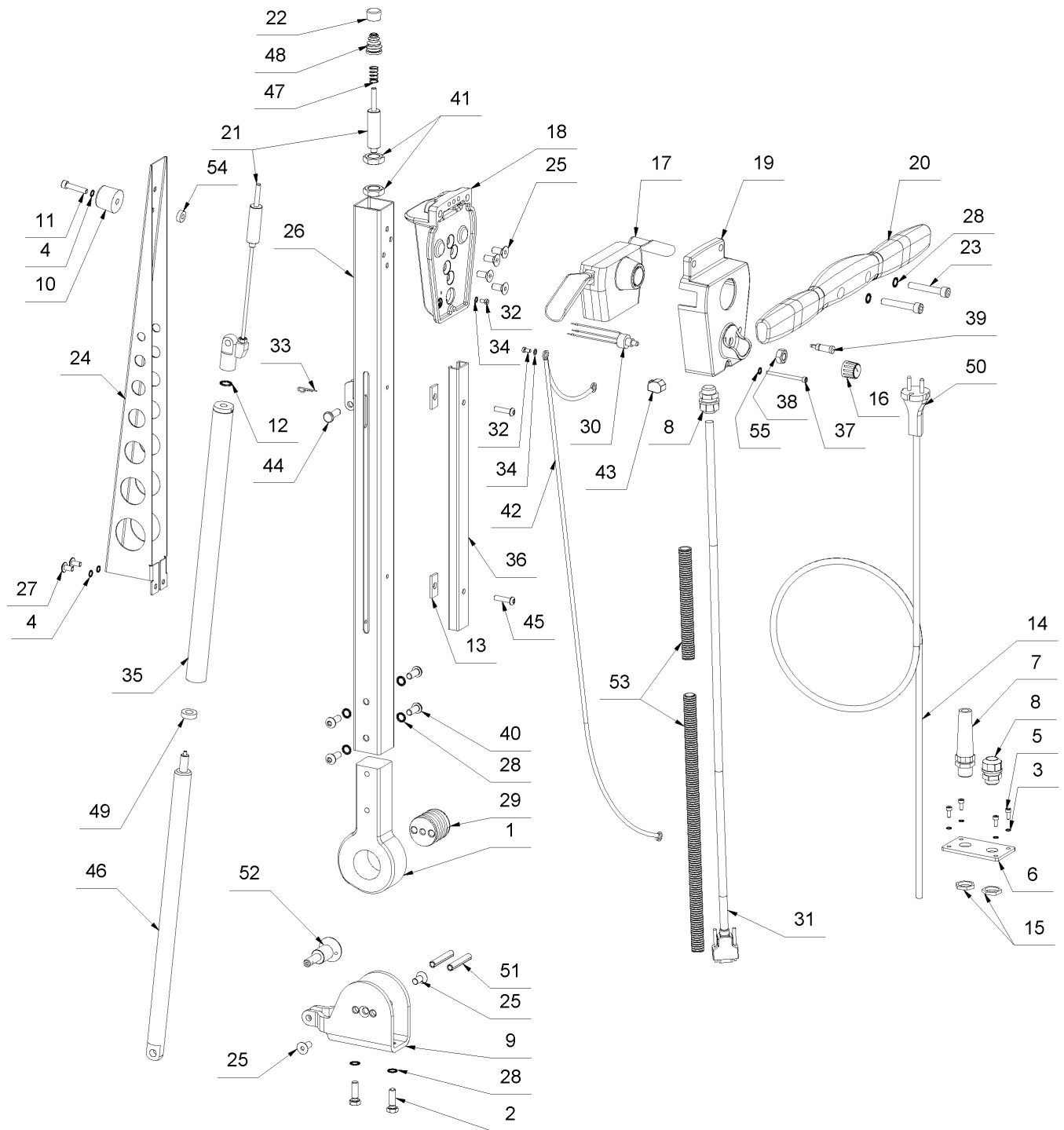
3 Machine



3 Machine

Item no.	Article no.	Description	Quantity
1	037293	Motor brushless 10:1 Mambo EVO	1
2	037933	Cover Mambo 2	1
3	038311	Additional weight Mambo 2	1
4	020995	Chip sealing ring	1
5	014829	Washer M10 DIN 125 A	2
6	014817	Hexagon nut M10 DIN 985	2
7	014859	Schnorr washer M6	4
8	018624	Bumper big Mambo	1
9	020993	Brush dust proof ring largely	1
10	037940	Three-star grip nut D63 x M10	2
11	014734	Cylinder head screw M8x20 DIN 912	3
12	050432	Stopper Ø8,5x15 black	1
13	014730	Cylinder head screw M 6x20 DIN 912	4
14	038921	Suction nozzle f. Vacu.+Comp.clean+Mambo	1
15	015387	Suction nozzle short BS 180	1
16	014860	Schnorr Washer M8	11
17	014789	Stud bolt M10x80 DIN 939 5.8 zinced	2
18	037936	Socket Head Cap Screw 5/16"-18UNC x 2"	8
19	037954	Handle Mambo2/VarioSilent	2
20	037966	Intermediat flange Mambo 2	1
21	048982	ZB Rubber clutch	1
22	015401	Clutch flange Mambo/Samba	1
23	015402	Distance washer Mambo/Spider	3
24	014761	Countersunk screw M8x25 DIN 7991 10.9	3
25	140152	Label Richtungs-+Drehrichtungspfeile	1
26	020747	Dust seal large cpl.	1

4 Handle



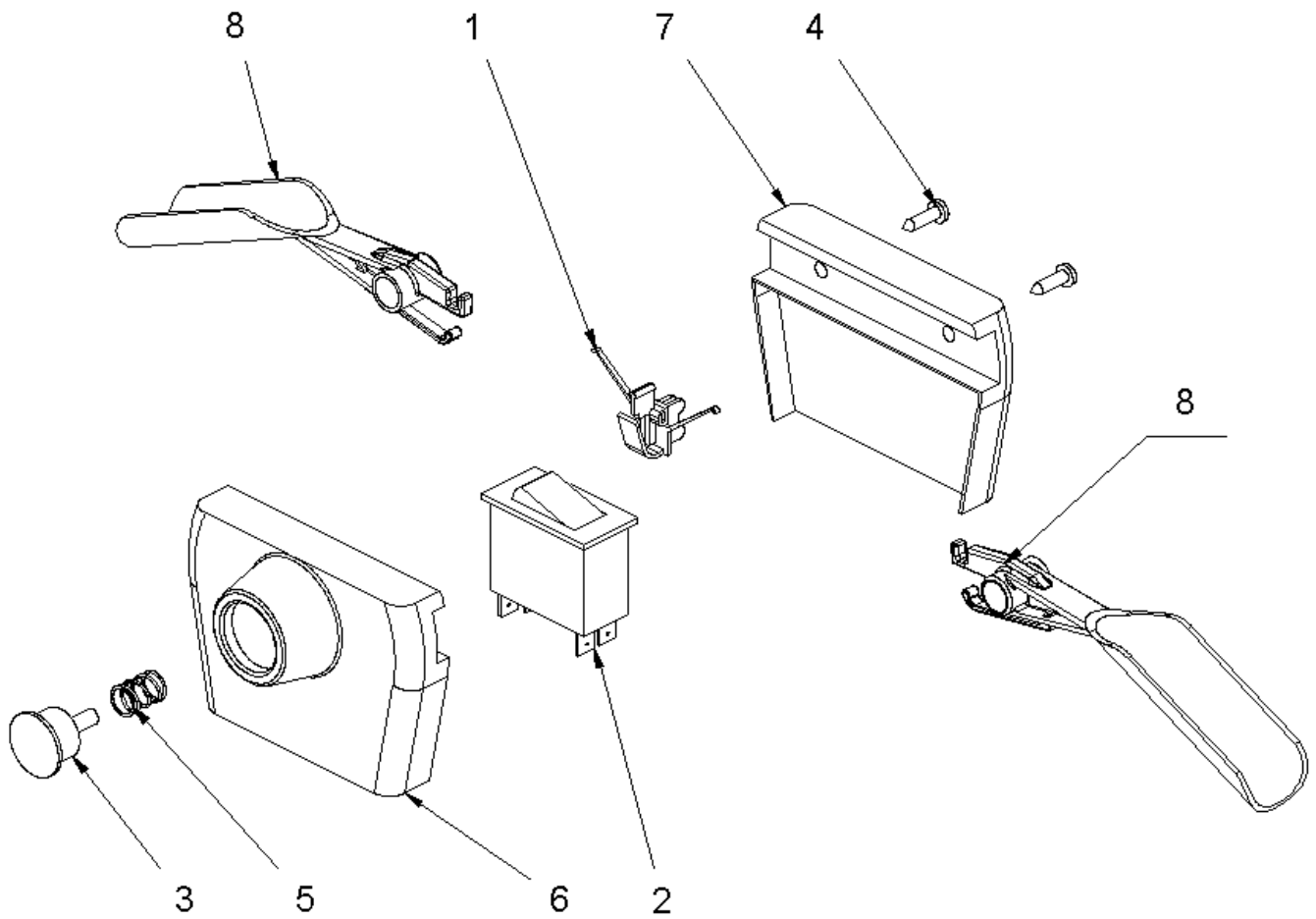
4 Handle

Item no.	Article no.	Description	Quantity
1	060705	Handle bracket Mambo Evo	1
2	014775	Hexagon bolt M 8x25 DIN 933	2
3	016961	Snorr washer M4	4
4	014859	Schnorr washer M6	3
5	014717	Cylinder head screw M4x10 DIN 912	4
6	038502	Plate Mambo 2	1
7	039710	Screw connection w.bending prot PG11	1
8	038836	Screw connection IP 65 PG11 Mambo 2	2
9	060706	Handle holder Mambo Evo	1
10	016138	Rubber stop	1
11	017678	Cylinder head screw M6x30 DIN 912	1
12	014861	Washer M10	1
13	014932	Rubber sleeve	2
14	061407	El.cord 3x2,5 ² x1,1m grey Mambo EVO	1
15	019182	Lock nut PG 11	2
16	014647	Knob with cover f.potentiometer	1
17	015000	Two-hand switch 20A	1
18	060732	Base support Mambo Evo	1
19	017875	Switch housing Mambo	1
20	015421	Foam handle SEE 86091 long/86092 short	1
21	060723	Trigger head Mambo Evo	1
22	060710	Switch Mambo Evo/Spider	1
23	017551	Cylinder head screw M8x50 DIN 912	2
24	060721	Metal cover Mambo Evo	1
25	014759	Countersunk screw M8x18 DIN 7991 10.9	6
26	060765	SG Handle Mambo Evo	1
27	017553	Lens head screw M6x12	2
28	014860	Schnorr Washer M8	8
29	060708	Gear shaft Mambo Evo	1
30	037939	Potentiometer 5KOhm with cable	1
31	038032	Control cable Mambo 2	1
32	017473	Cylinder head screw M4x8 DIN 84 brass	2
33	060766	Spring cotter	1
34	017663	Tooth lock washer 4.3 Form A DIN 6797	2

4 Handle

Item no.	Article no.	Description	Quantity
35	060707	SG Protection tube Mambo Evo	1
36	038289	Cable channel Mambo 2	1
37	017639	Cylinder head screw M4x55 DIN 912	1
38	014811	Hexagon nut M 10 DIN 934	1
39	083823	LED for signal lamp	1
40	047385	Lens head screw M8x20	4
41	060749	Hexagon nut Mambo2/Spider	2
42	038838	Gounding electrode 2,5qmm Mambo 2	1
43	050146	Connecting terminal 2-fold	1
44	060709	Gear shaft Mambo Evo	1
45	017558	Lens head screw M 6x25	2
46	060724	Gas pressure spring Mambo Evo	1
47	060727	Pressure spring 10,80x20x0,80	1
48	060722	Rubber gaiter Mambo Evo/Spider	1
49	060733	Bearing damper Mambo Evo/Spider	1
50	039203	Plug grey	1
51	017655	Spring pin 8x50 DIN 7346	2
52	060731	locking bolt Mambo Evo SEE 062316	1
53	119222	Cable Sleeve PG11Mambo 2	1
54	060769	Spacer Mambo Evo	1
55	014858	Schnorr washer M5	1

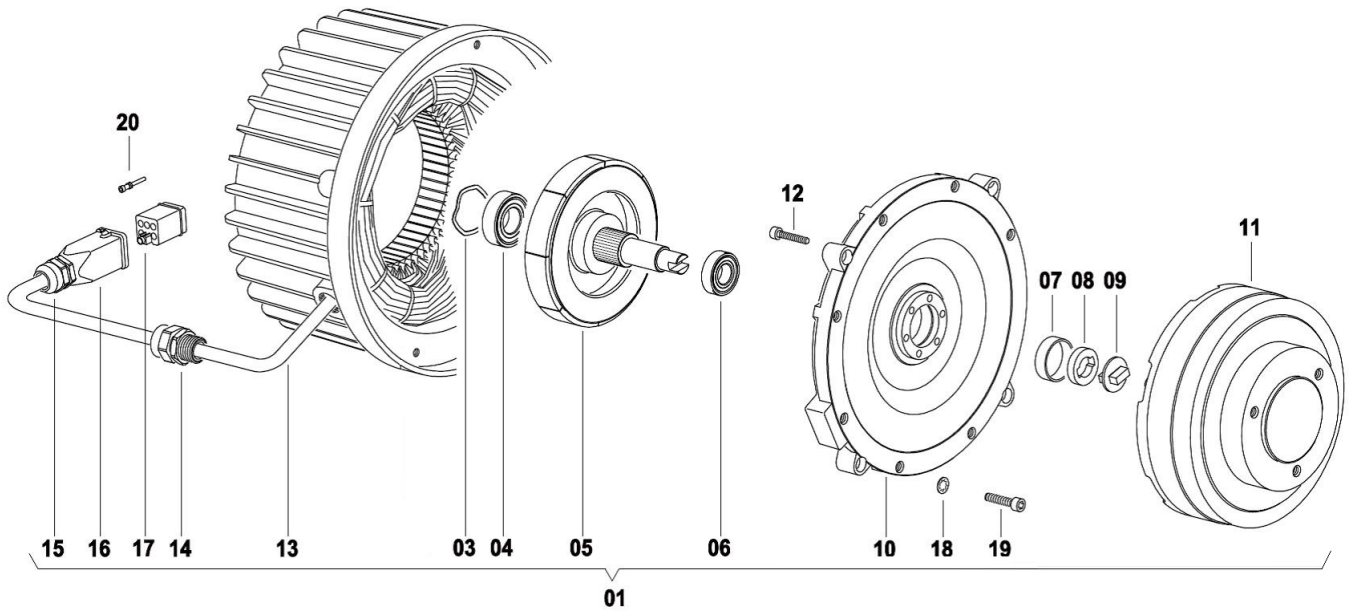
17 Two-hand switch 20A



17 Two-hand switch 20A

Item no.	Article no.	Description	Quantity
1	017449	Switch mechanics for two hand switch	1
2	019538	Switch 20A Mambo	1
3	019539	Push button Mambo	1
4	019540	Pan-head tapping screw 4.2x16 DIN 7981 C	2
5	019541	Pressure spring 11x15x1	1
6	019547	Housing f.2hand switch Mambo	1
7	019548	cover for Two-hand switch Mambo	1
8	019549	Shift handle for two-hand switch Mambo	2

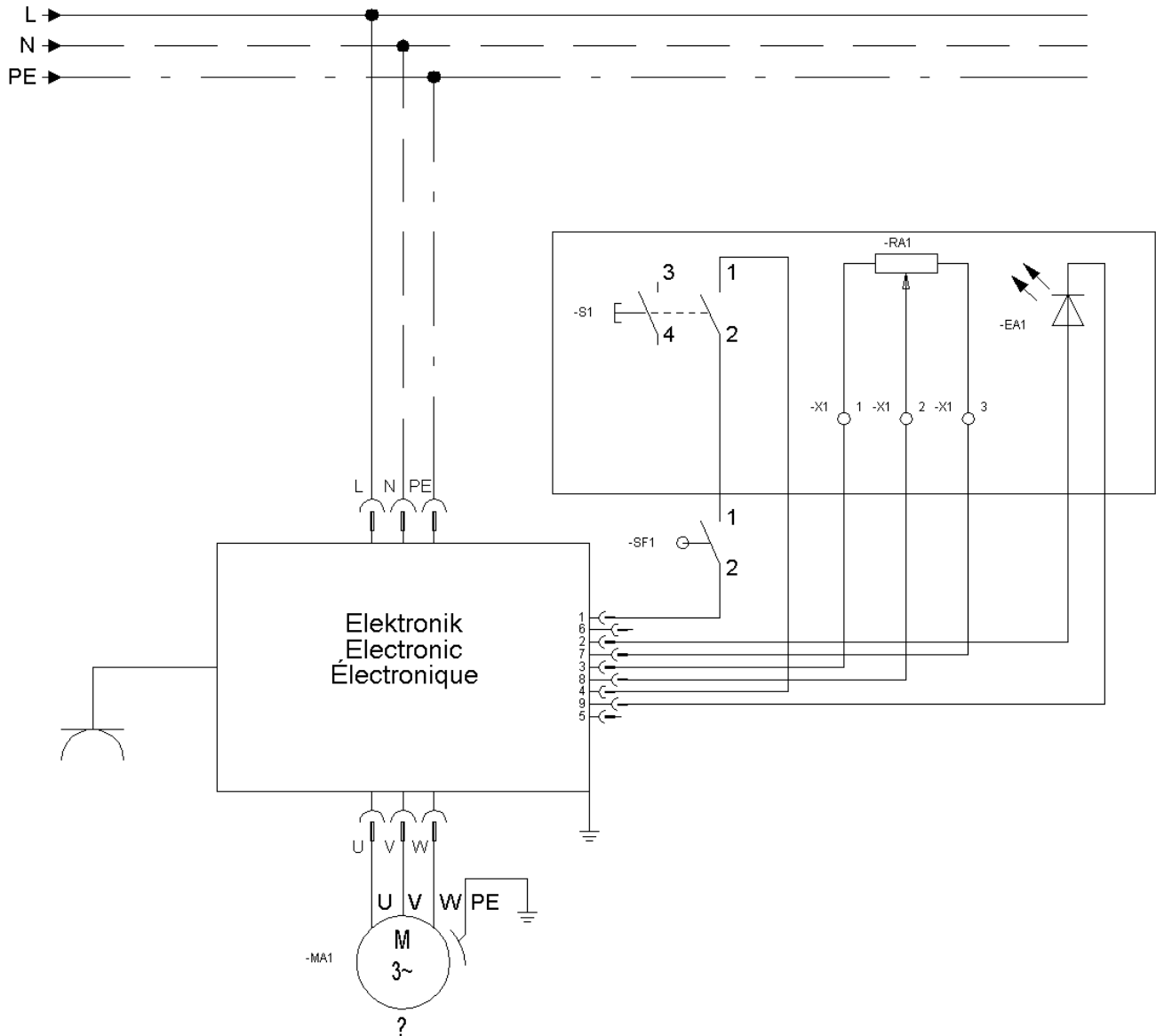
5 Gearmotor



5 Gearmotor

Item no.	Article no.	Description	Quantity
01	037293	Complete motor	1
03	073323	Spring washer f.Motor Mambo	1
04	017210	Ball bearing 6203 2RS Eco-Motor	1
05	067882	Axle w.rotor Mambo Evo	1
06	014702	Ball-bearing 6002 2RS	1
07	064752	Spacer motor brushless Mambo 2	1
08	064753	Driving plate motor brushless Mambo 2	1
09	084248	Coupling piece motor Mambo/Spider	1
10	079171	Bearing plate motor Mambo	1
11	076998	Gearbox 10:1 MamboEvo	1
12	059872	Cylinder head screw 10-32 UNFx1 1/4ähnl	6
13		Cable	1
14	019299	Bolt joint PG 13.5 50013 PA	1
15	014992	Protective cut-out switch	1
16	079237	Housing	1
17	079236	Pinhole	1
18	014859	Schnorr washer M6	4
19	014731	Cylinder head screw M6x25 DIN 912	4
20		Crimpkontakte	5
o.Abb.	059858	O-Ring 150x2	1
o.Abb.	052320	O-Ring 50x2	6
o.Abb.	059860	Sealing Ring Cu A 5x 9 DIN 7603	6
o.Abb.	037936	Socket Head Cap Screw 5/16"-18UNC x 2"	6

6 circuit diagram



6 circuit diagram

7 Tool kit

Item no.	Article no.	Description	Quantity
1	054064	Tool bag green - Wolff	1
2	038422	Technical instructions Mambo 2 3-spoke	1
3	015315	Hearing protectors	1