



spare parts list NEO230 230V EU

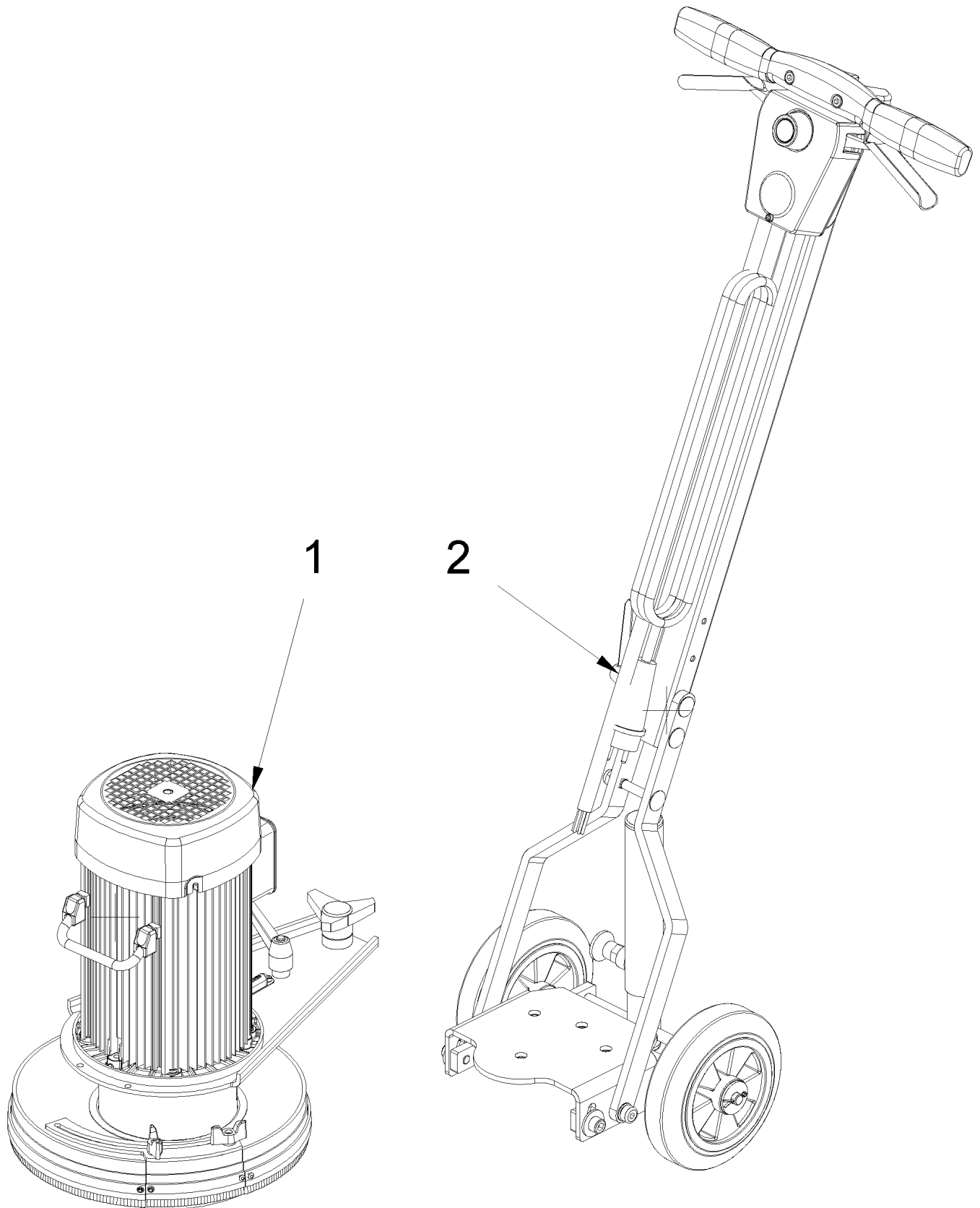


Table of contents

1	NEO 230 (001/2014-141/2015)	4
	1 Motor	6
	16 Motor NEO 230 2 KW EMG	8
	2 Handle + Carriage	10
	53 Two-hand switch 20A	13
	3 Circuit Diagram	15
	4 Tool kit #075915	17
	5 Accessories	18
	6 Additional weight	19
2	NEO 230 (0142/2016 - 0255/2016)	21
	1 Motor	23
	16 Motor NEO 230 2 KW EMG	26
	2 Handle + Carriage	28
	53 Two-hand switch 20A	31
	3 Circuit Diagram	33
	4 Tool kit #075915	35
	5 Accessories	36
	6 Additional weight	37
3	NEO 230 (0256/2016 - 0355/2017)	39
	1 Motor	41
	16 Motor NEO 230 2 KW EMG	44
	2 Handle + Carriage	46
	53 Two-hand switch 20A	49
	3 Circuit Diagram	51
	4 Tool kit #075915	53
	5 Accessories	54
	6 Additional weight	55
4	NEO 230 (0356/2017 - 0611/2018)	57
	1 Motor	59
	16 Motor NEO 230 2 KW EMG	62
	2 Handle + Carriage	64
	53 Two-hand switch 20A	67
	3 Circuit Diagram	69
	4 Tool kit #075915	71
	5 Accessories	72
	6 Additional weight	73
5	NEO 230 (0612/2018 - 0666/2018)	75
	1 Motor	77
	16 Motor NEO 230 2 KW EMG	80
	2 Handle + Carriage	82
	53 Two-hand switch 20A	85
	3 Circuit Diagram	87
	4 Tool kit #075915	89
	5 Accessories	90
	6 Additional weight	91
6	NEO 230 (0667/2018 - 1222/2020)	93
	1 Motor	95
	16 Motor NEO 230 2 KW EMG	98
	2 Handle + Carriage	100
	53 Two-hand switch 20A	103
	3 Circuit Diagram	105
	4 Tool kit #075915	107
	5 Accessories	108
	6 Additional weight	109
7	NEO 230 (1223/2020 - 1542/2021)	111
	1 Motor	113
	16 Motor NEO 230 2 KW EMG	116
	2 Handle + Carriage	118

Table of contents

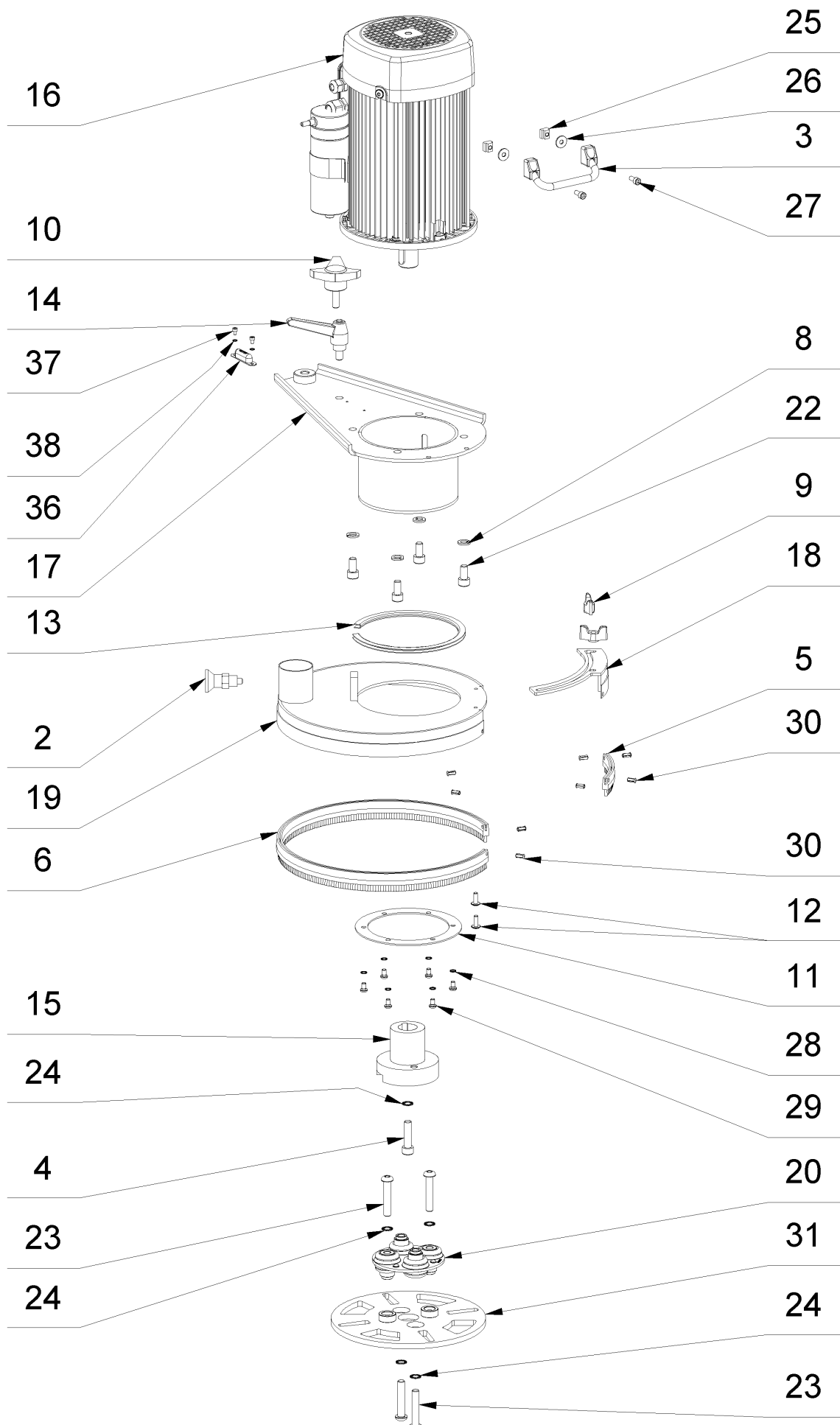
53 Two-hand switch 20A	121
3 Cable support	123
4 Circuit Diagram	125
5 Tool kit #075915	127
6 Accessories	128
7 Additional weight	129
8 NEO 230 (1543-05/2021 - heute)	131
1 Motor	133
16 Motor NEO 230 2 KW EMG	136
2 Handle + Carriage	138
53 Two-hand switch 20A	141
3 Cable support	143
4 Circuit Diagram	145
5 Tool kit #075915	147
6 Accessories	148
7 Additional weight	149



1 NEO 230 (001/2014-141/2015)

Item no.	Article no.	Description
1	01_01_074650	Motor
2	01_02_074650	Handle + Carriage
3	01_03_074650	Circuit Diagram
4	01_04_075915	Tool kit #075915
5	01_05_074650	Accessories
6	01_06_178986	Additional weight

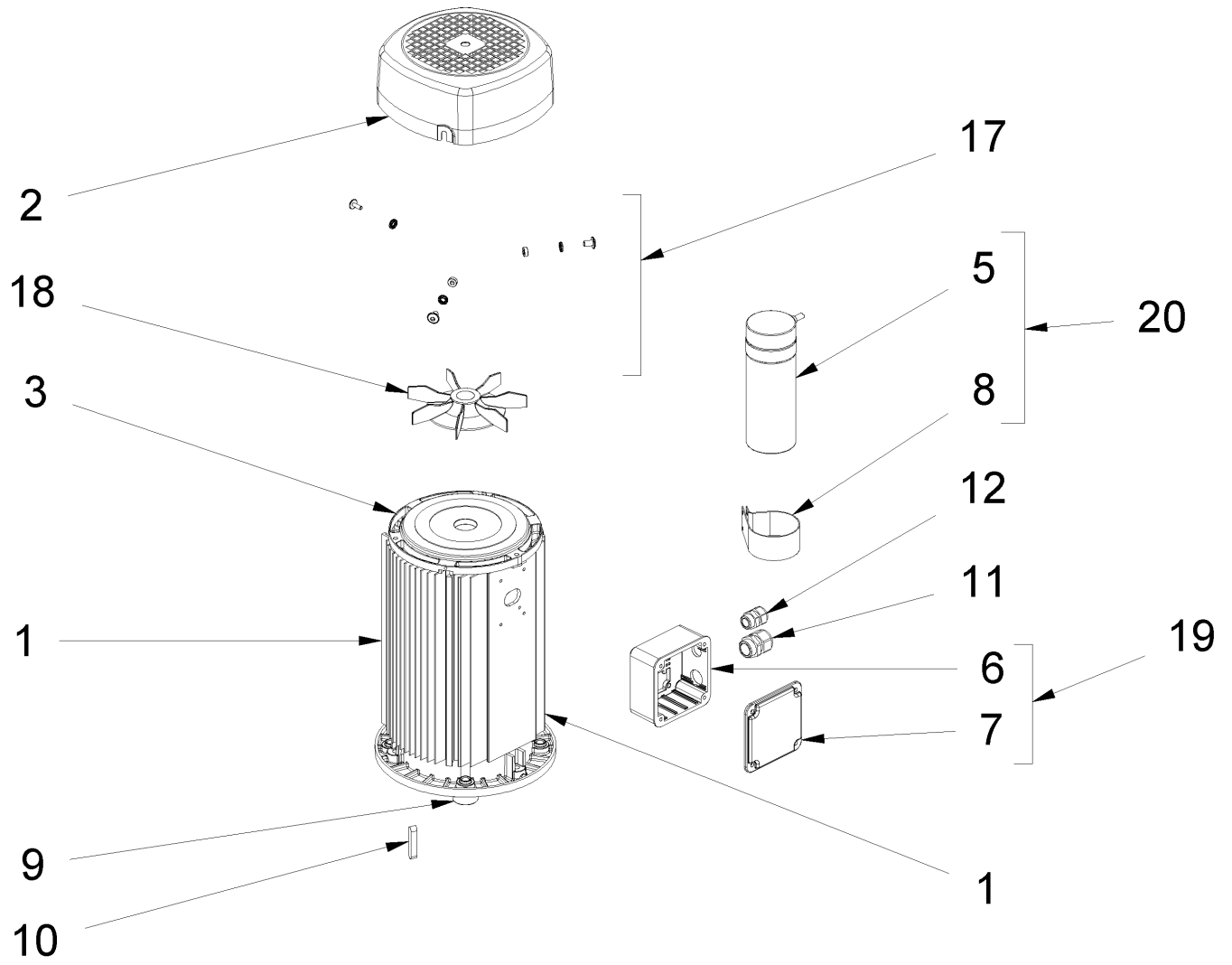
1 Motor



1 Motor

Item no.	Article no.	Description	Quantity
2	037953	Fixing pin	1
3	074634	Foldable handle NEO 230	1
4	042368	Cylinder head screw M10x40 DIN 912	1
5	075057	Brush short NEO 230	1
6	075058	Brush long NEO 230	1
8	017760	Spring washer 10 DIN 127 B	4
9	047796	Wing nut M6 plastic	2
10	039232	Three-star grip screw M10x30	1
11	074692	Supporting ring NEO 230	1
12	017552	Lens head screw M 6x16 ISO 7380	2
13	075060	Edge cover NEO 230	1
14	038567	Clamping lever GN300-92-M10-16-SW	1
15	060008	Coupling flange NEO SEE 165662	1
16	066796	Motor NEO 230 2 KW EMG	1
17	074680	SG Flange NEO 230	1
18	074688	Flap short NEO 230	1
19	083804	BG Dust seal NEO 230	1
20	042689	Rubber coupling for drive Neo 230/Omega	1
22	018301	Cylinder head screw M10x20 DIN 912	4
23	060010	Lens screw M10x55 ISO 7380	4
24	014861	Washer M10	5
25	075478	Nut M6 DIN 508	2
26	017724	Washer DIN 9021 6,4x18x1,6	2
27	014727	Cylinder head screw M 6x14 DIN 912	2
28	014859	Schnorr washer M6	6
29	017554	Lens head screw M 6x 8	6
30	078297	Spreader rivet 4,8/4,0-8,7	8
31	080159	Grinding plate cpl. Alpha/NEO 230	1
36	081698	Longitudinal Dragonfly NEO 230/400	1
37	081714	Cylinder head screw M 4X6 DIN 912	2
38	016961	Snorr washer M4	2

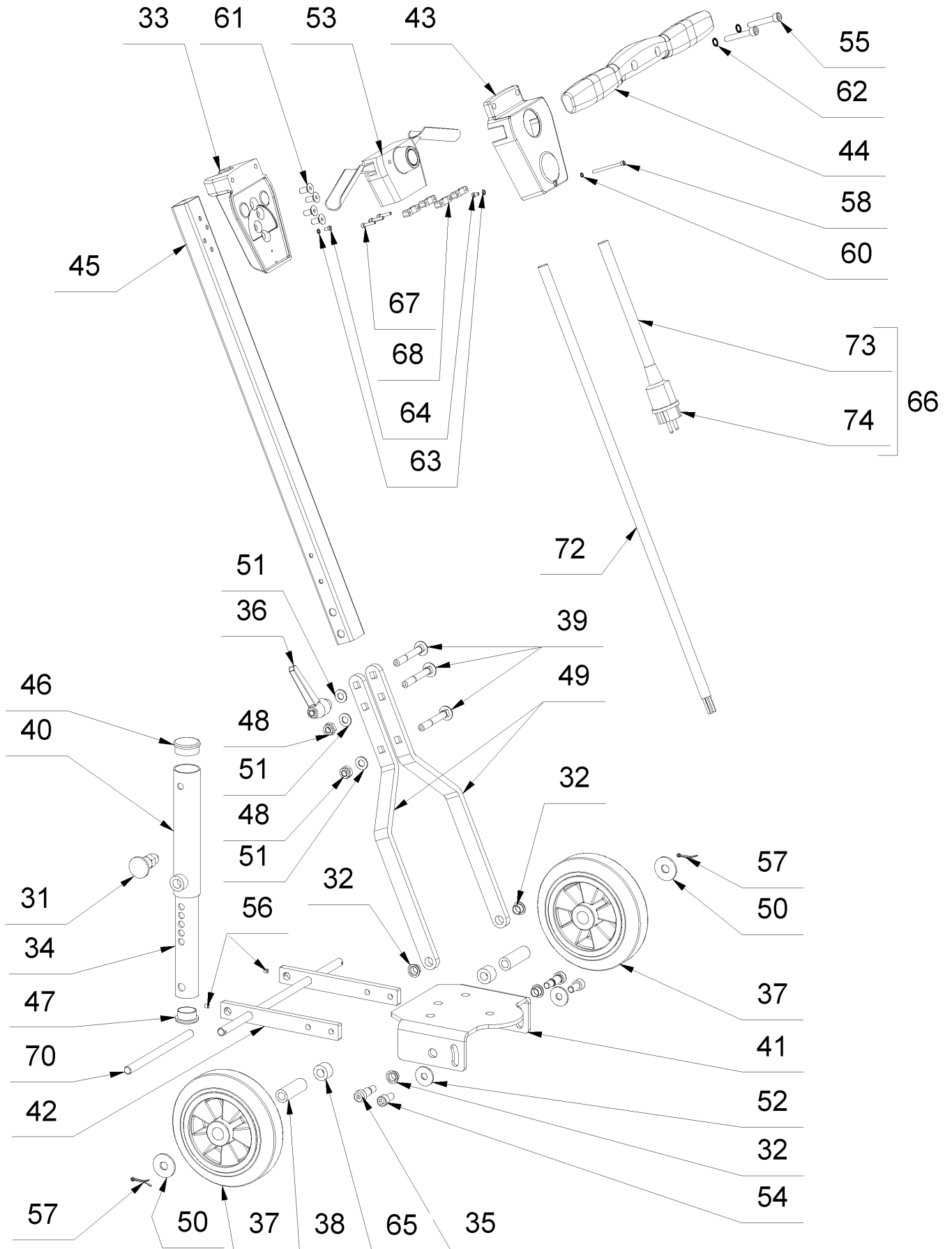
16 Motor NEO 230 2 KW EMG



16 Motor NEO 230 2 KW EMG

Item no.	Article no.	Description	Quantity
1		Housing	1
2	053225	Fan cover f.motor 230V Alpha/CT200	1
3	069825	Bearing plate CT200/Alpha	1
4	066914	Bearing plate CT200/Alpha	1
5	034028	Condenser 50mF EMG 2KW SEE 176683	1
6		Terminal cover	1
7		Terminal box cover	1
8	053304	capacitor bracket Ø60	1
9		Motor shaft	1
10	039457	Feather key 8x7x40 DIN 6885	1
11	051948	Cable gland M20x1.5	1
12	068199	Cable gland M16x1.5	1
17	071896	Screw kit f. fan cover Alpha/NEO	1
18	082116	Fan wheel NEO 230	1
19	081013	Terminal box w.cover NEO 230	1

2 Handle + Carriage



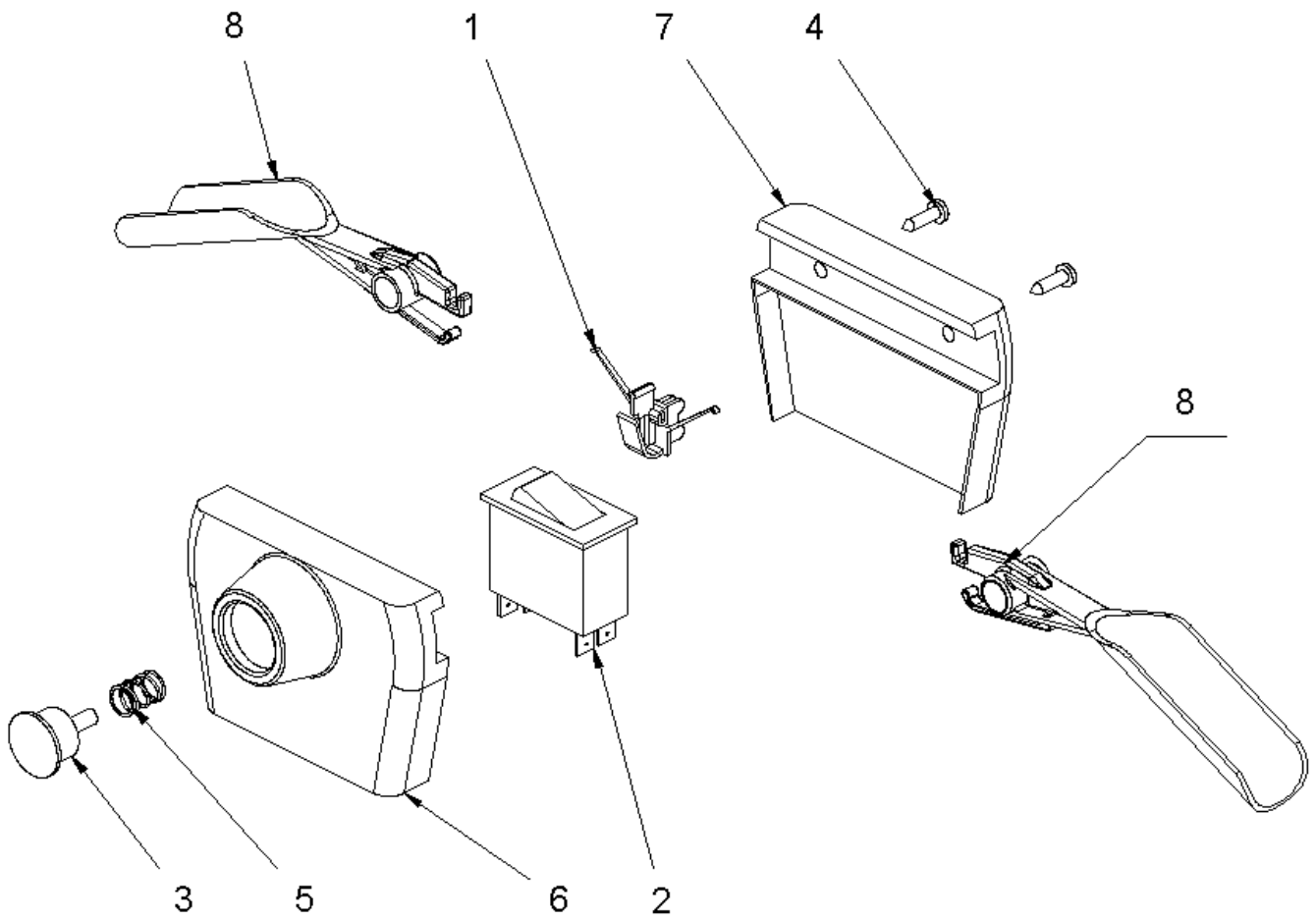
2 Handle + Carriage

Item no.	Article no.	Description	Quantity
31	037953	Fixing pin	1
32	019090	Bushing BB 1209 DU	4
33	074686	Base support handle NEO 230	1
34	074652	Inner tube NEO 230	1
35	074694	Screw M10x20 DIN 7379	2
36	042473	Clamping lever GN300-78-M10-SW	1
37	014645	Wheel Mambo+carriage pressure roll	2
38	017922	Wheel hub Mambo	2
39	074695	Flat round screw M10X75 DIN 603	3
40	074646	SG Outside pipe NEO 230	1
41	074655	SG Chassis NEO 230	1
42	074677	SG Fahrwerk NEO 230	1
43	074687	Switch housing NEO 230	1
44	015421	Foam handle SEE 86091 long/86092 short	1
45	074653	Handle NEO 230	1
46	074561	Stopper d40,0x1-3 black	1
47	074559	Stopper d35,0x3-5 black	1
48	014817	Hexagon nut M10 DIN 985	2
49	074648	Truss handle NEO 230	2
50	017637	Washer 13x37x3 DIN 9021	2
51	014829	Washer M10 DIN 125 A	3
52	018236	Washer 10.5 DIN 9021	2
53	015000	Two-hand switch 20A	1
54	018301	Cylinder head screw M10x20 DIN 912	2
55	017551	Cylinder head screw M8x50 DIN 912	2
56	017531	Headless pin M6x6 DIN 913	2
57	018806	Split pin 3,2x25 DIN 94	2
58	017639	Cylinder head screw M4x55 DIN 912	1
60	016961	Snorr washer M4	1
61	014759	Countersunk screw M8x18 DIN 7991 10.9	4
62	014860	Schnorr Washer M8	2
63	017663	Tooth lock washer 4.3 Form A DIN 6797	2
64	017473	Cylinder head screw M4x8 DIN 84 brass	2
65	075487	Spacer 24x12,6x16 PA black	2

2 Handle + Carriage

Item no.	Article no.	Description	Quantity
66	014975	Electrical cord3G1,5X0,4m black Schukost	1
67	017725	Cylinder head screw M4x20 DIN 912	4
68	017709	Cable clamp plastic	4
70	074676	Axle short Running gear NEO 230	1
72	081195	Motor cable cpl. NEO 230	1
73	051437	El.cord 3G2,5x10m black without plug	1
74	039203	Plug grey	1
74	079056	Plug 3-pol. 230V DK	1

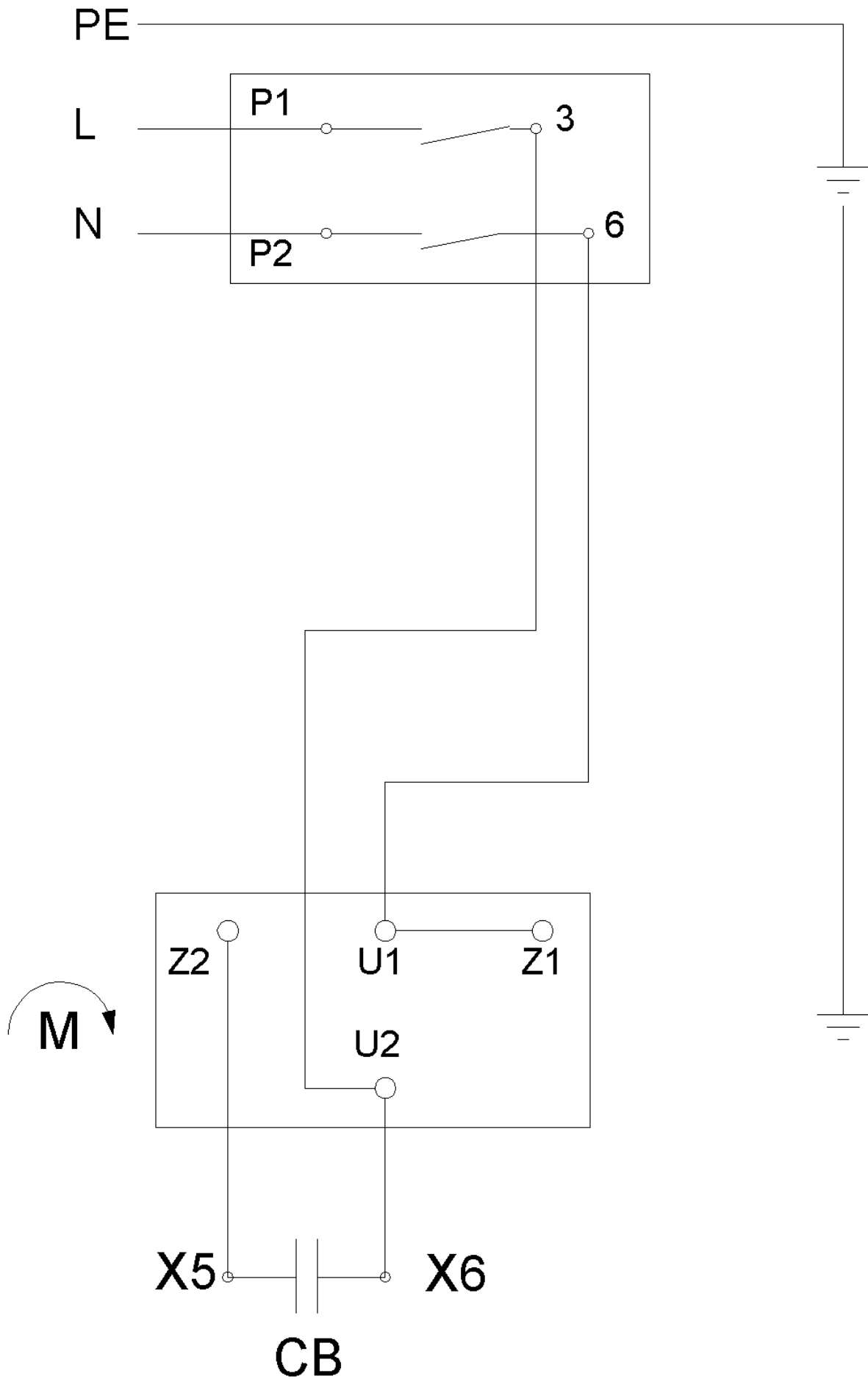
53 Two-hand switch 20A



53 Two-hand switch 20A

Item no.	Article no.	Description	Quantity
1	017449	Switch mechanics for two hand switch	1
2	019538	Switch 20A Mambo	1
3	019539	Push button Mambo	1
4	019540	Pan-head tapping screw 4.2x16 DIN 7981 C	2
5	019541	Pressure spring 11x15x1	1
6	019547	Housing f.2hand switch Mambo	1
7	019548	cover for Two-hand switch Mambo	1
8	019549	Shift handle for two-hand switch Mambo	2

3 Circuit Diagram



3 Circuit Diagram

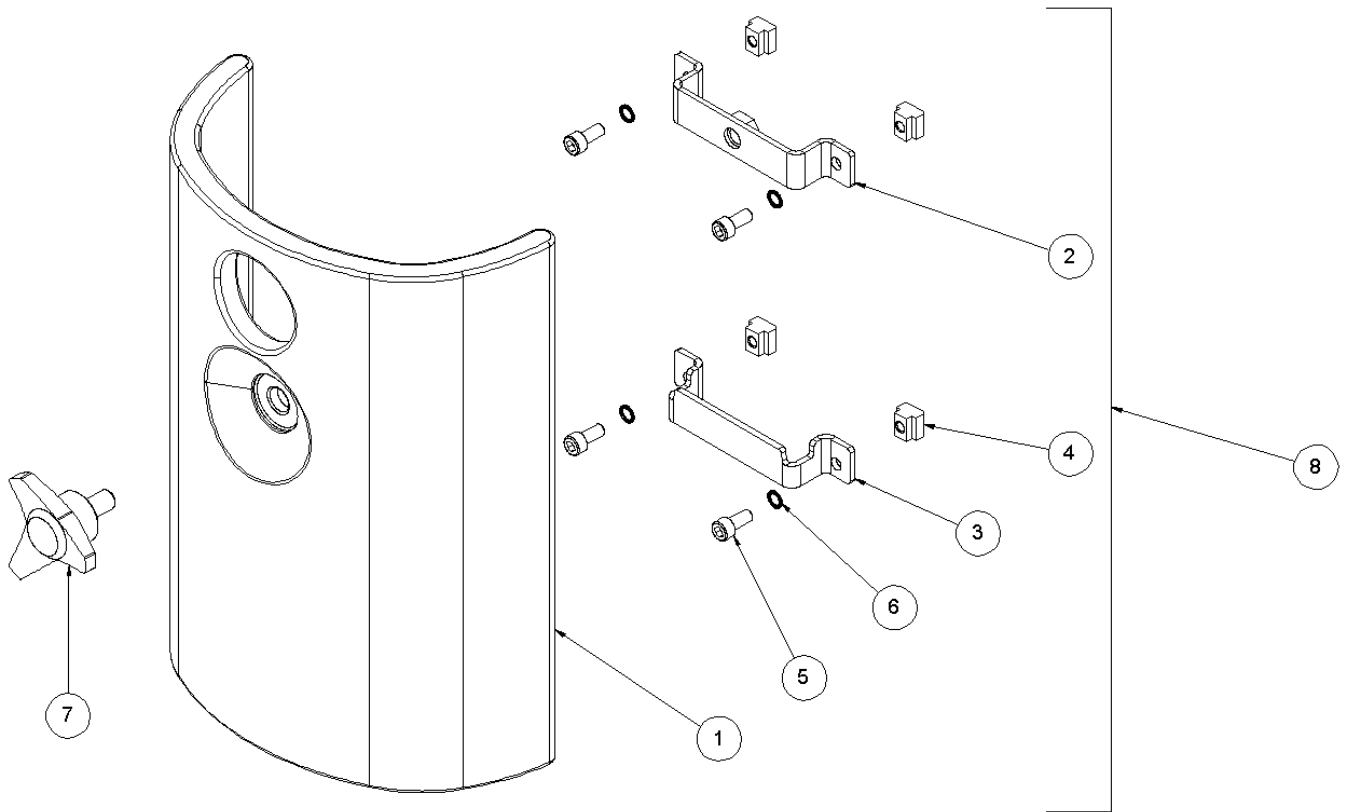
4 Tool kit #075915

Item no.	Article no.	Description	Quantity
1	054064	Tool bag green - Wolff	1
2	015315	Hearing protectors	1
3	015316	Protective goggles	1

5 Accessories

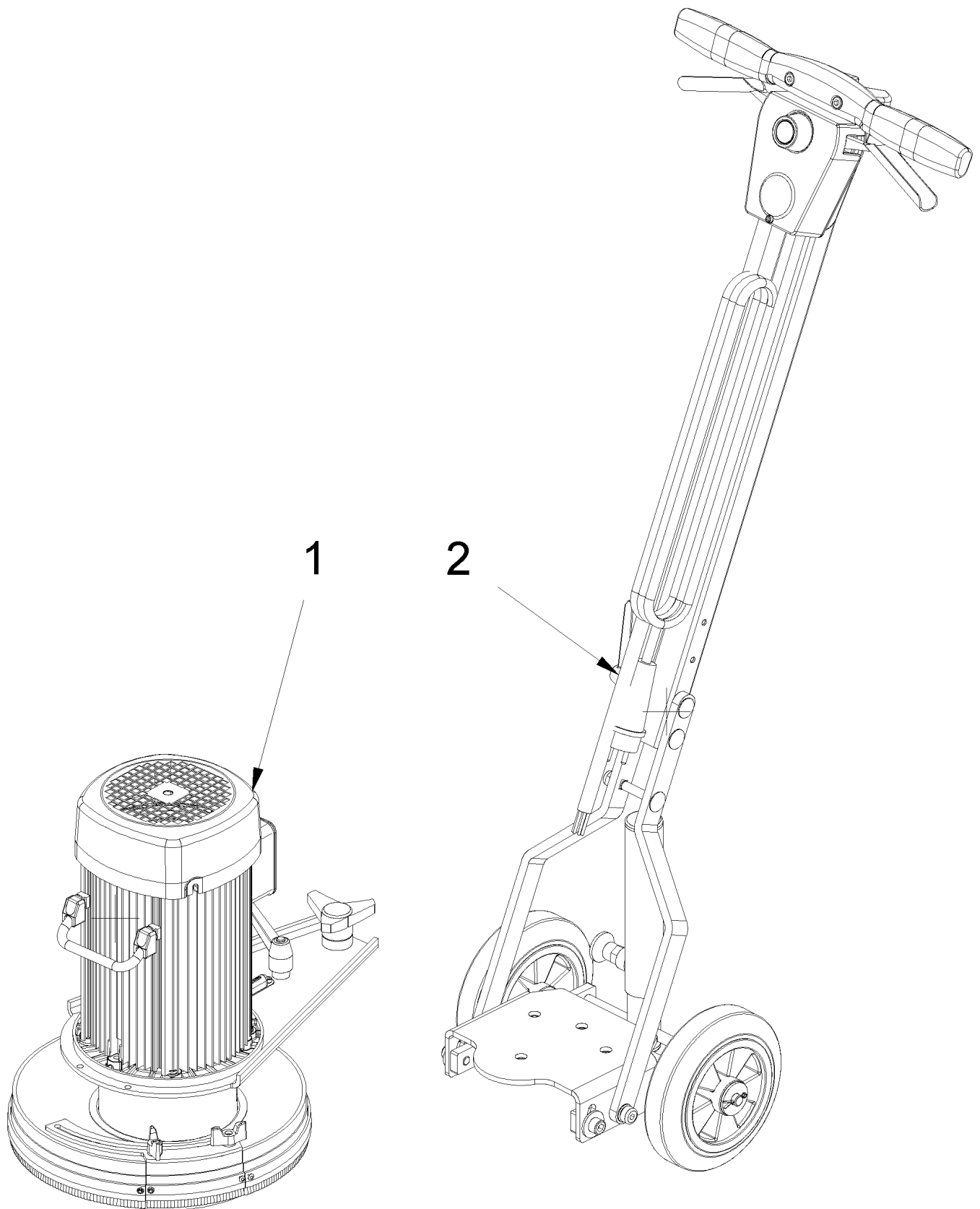
Item no.	Article no.	Description	Quantity
4	070900	Hexagonal screw key SW8 DIN 911L	1
7	038921	Suction nozzle f. Vacu-+Comp.clean+Mambo	1
8	013339	End piece, Ø50mm T-Rex	1

6 Additional weight



6 Additional weight

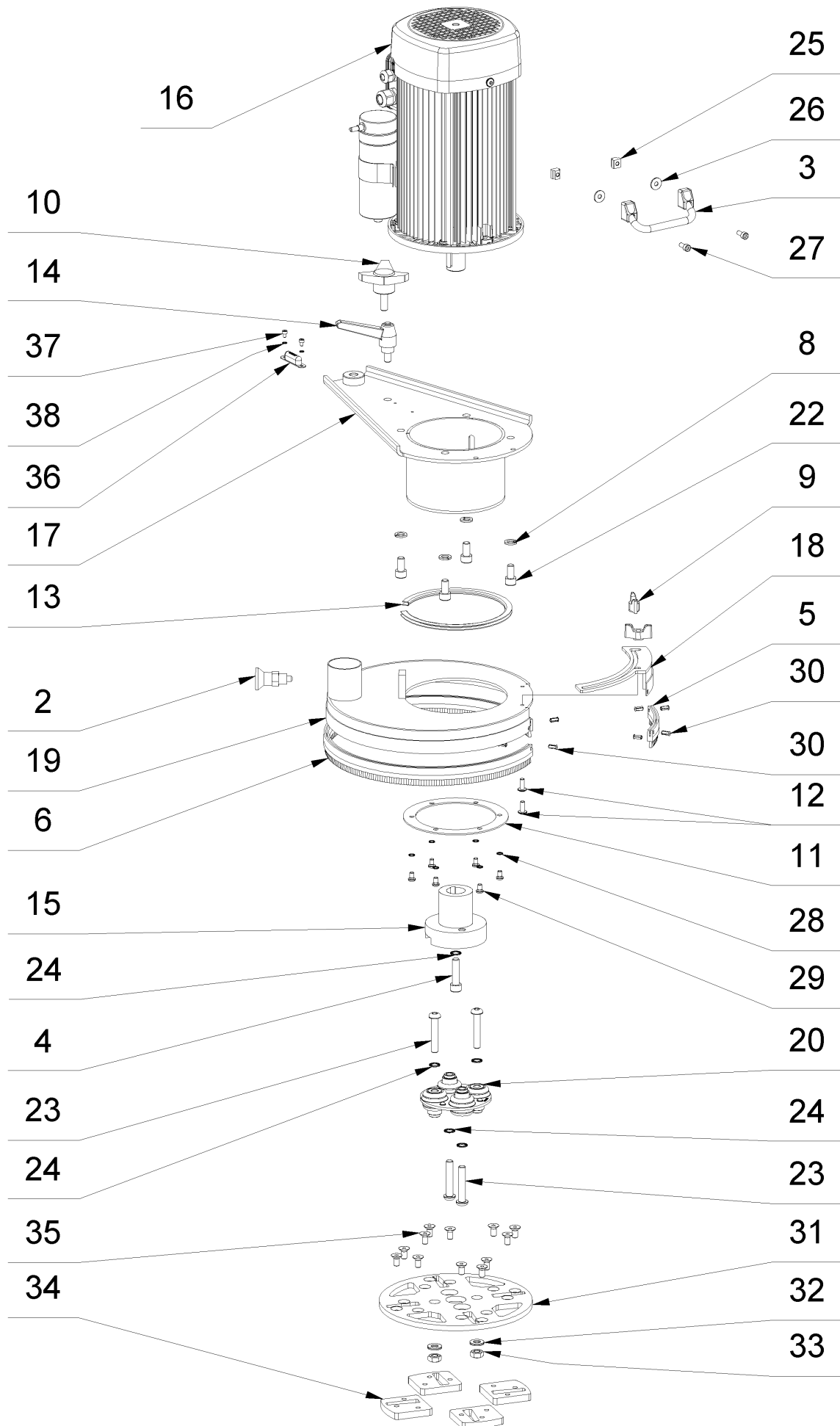
Item no.	Article no.	Description	Quantity
1	176998	Zusatzgewicht NEO 230 Guss	1
2	178397	Top mount additional weight NEO 230	1
3	177767	Bottom mount additional weight NEO 230	1
4	075478	Nut M6 DIN 508	4
5	014727	Cylinder head screw M 6x14 DIN 912	4
6	014859	Schnorr washer M6	4
7	178918	Three star screw M10x 20 cpl.	1
8	178986	Additional weight NEO 230 set	1



2 NEO 230 (0142/2016 - 0255/2016)

Item no.	Article no.	Description
1	02_01_074650	Motor
2	02_02_074650	Handle + Carriage
3	01_03_074650	Circuit Diagram
4	01_04_075915	Tool kit #075915
5	01_05_074650	Accessories
6	01_06_178986	Additional weight

1 Motor



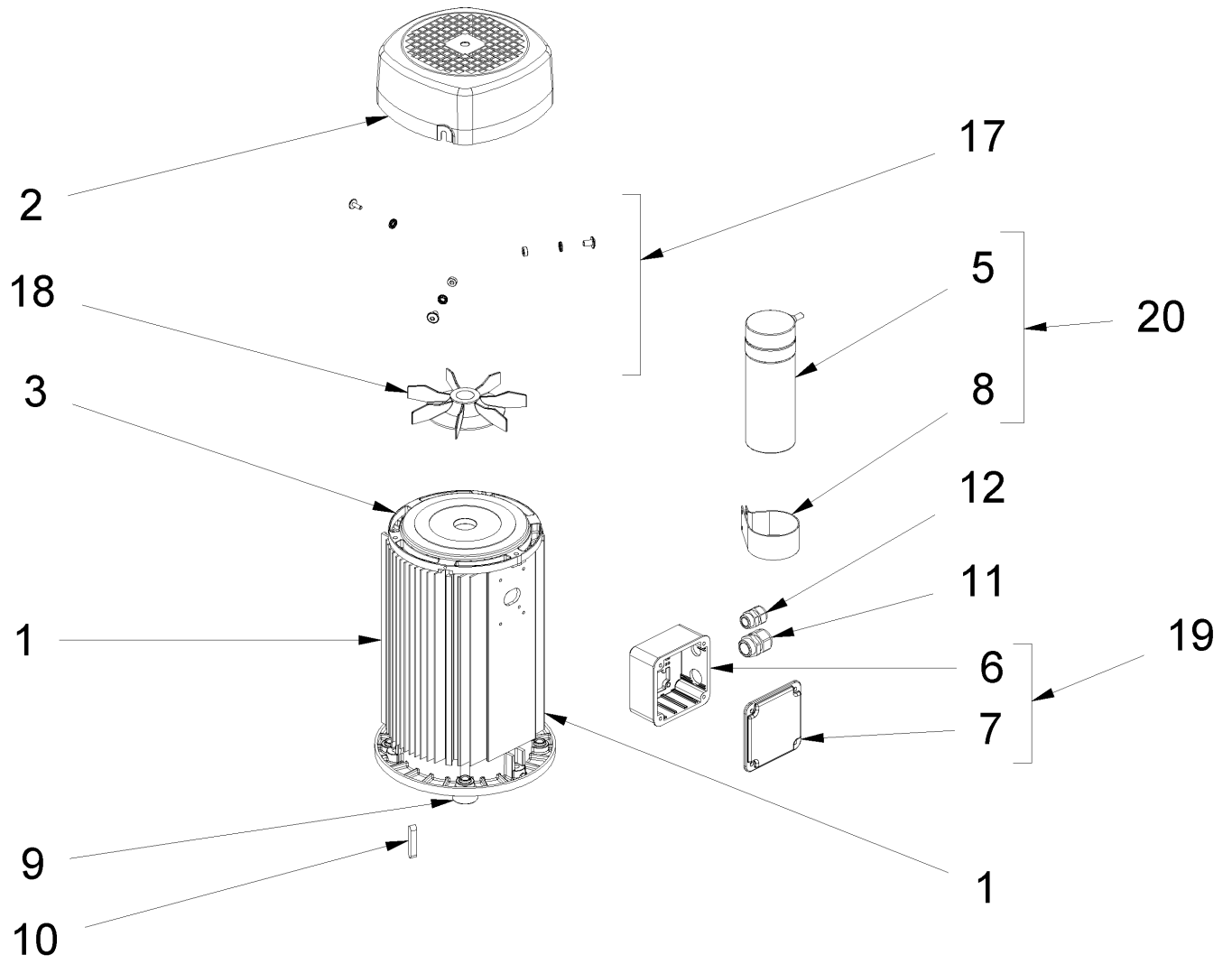
1 Motor

Item no.	Article no.	Description	Quantity
2	037953	Fixing pin	1
3	074634	Foldable handle NEO 230	1
4	018300	Cylinder head screw M10x30 DIN 912	1
5	075057	Brush short NEO 230	1
6	075058	Brush long NEO 230	1
8	017760	Spring washer 10 DIN 127 B	4
9	047796	Wing nut M6 plastic	2
10	039232	Three-star grip screw M10x30	1
11	074692	Supporting ring NEO 230	1
12	017552	Lens head screw M 6x16 ISO 7380	2
13	075060	Edge cover NEO 230	1
14	038567	Clamping lever GN300-92-M10-16-SW	1
15	060008	Coupling flange NEO SEE 165662	1
16	066796	Motor NEO 230 2 KW EMG	1
17	074680	SG Flange NEO 230	1
18	074688	Flap short NEO 230	1
19	083804	BG Dust seal NEO 230	1
20	042689	Rubber coupling for drive Neo 230/Omega	1
22	018301	Cylinder head screw M10x20 DIN 912	4
23	060010	Lens screw M10x55 ISO 7380	4
24	014861	Washer M10	5
25	075478	Nut M6 DIN 508	2
26	017724	Washer DIN 9021 6,4x18x1,6	2
27	014727	Cylinder head screw M 6x14 DIN 912	2
28	014859	Schnorr washer M6	6
29	017554	Lens head screw M 6x 8	6
30	078297	Spreader rivet 4,8/4,0-8,7	8
31	051207	Disk admission for segments Alpha	1
32	079872	safety washer M10 LL	2
33	014811	Hexagon nut M 10 DIN 934	2
34	048744	Segment holder	4
35	016994	Counter sunk screw M8x16 DIN 7991 10.9	12
36	081698	Longitudinal Dragonfly NEO 230/400	1
37	081714	Cylinder head screw M 4X6 DIN 912	2

1 Motor

Item no.	Article no.	Description	Quantity
38	016961	Snorr washer M4	2

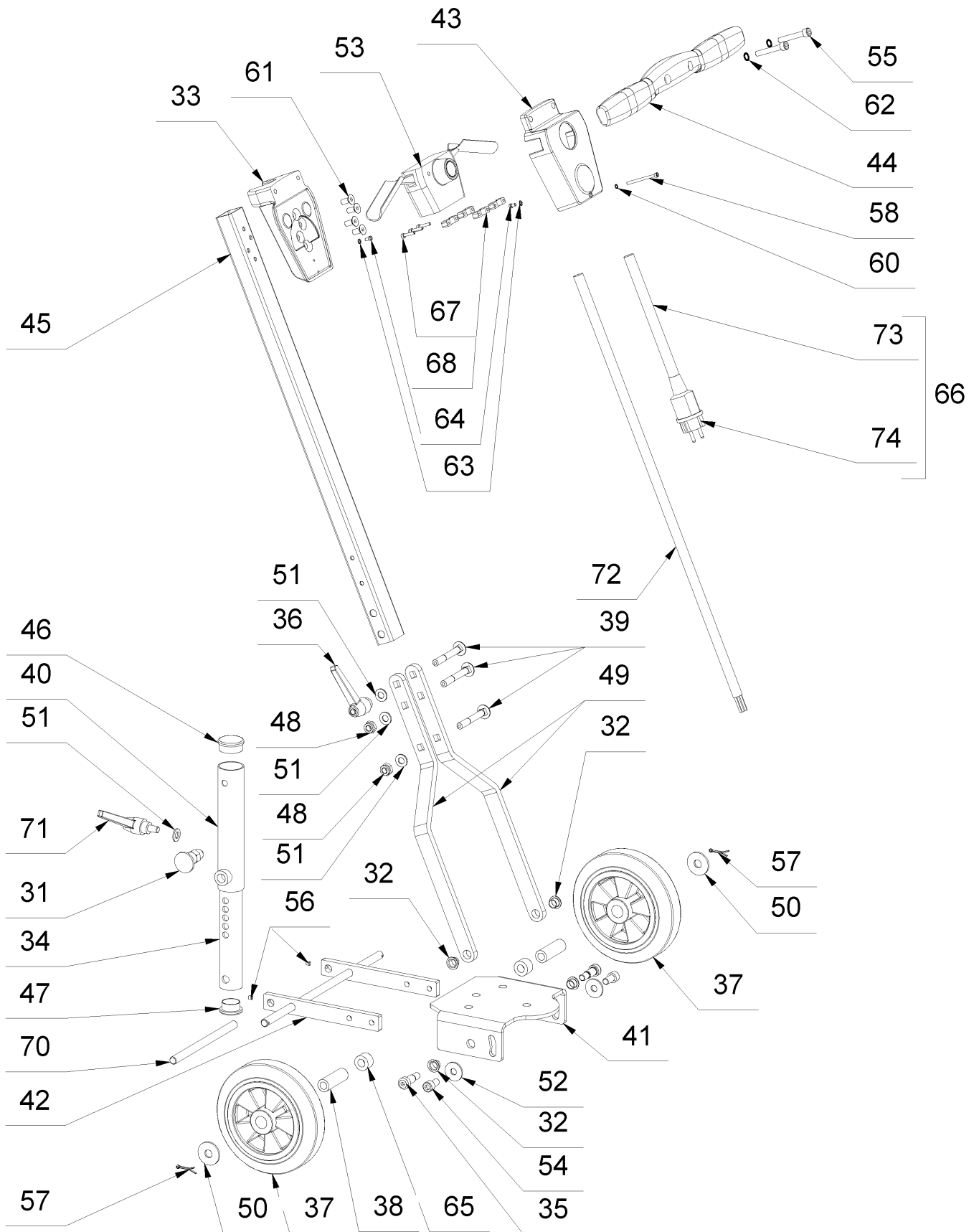
16 Motor NEO 230 2 KW EMG



16 Motor NEO 230 2 KW EMG

Item no.	Article no.	Description	Quantity
1		Housing	1
2	053225	Fan cover f.motor 230V Alpha/CT200	1
3	069825	Bearing plate CT200/Alpha	1
4	066914	Bearing plate CT200/Alpha	1
5	034028	Condenser 50mF EMG 2KW SEE 176683	1
6		Terminal cover	1
7		Terminal box cover	1
8	053304	capacitor bracket Ø60	1
9		Motor shaft	1
10	039457	Feather key 8x7x40 DIN 6885	1
11	051948	Cable gland M20x1.5	1
12	068199	Cable gland M16x1.5	1
17	071896	Screw kit f. fan cover Alpha/NEO	1
18	082116	Fan wheel NEO 230	1
19	081013	Terminal box w.cover NEO 230	1

2 Handle + Carriage



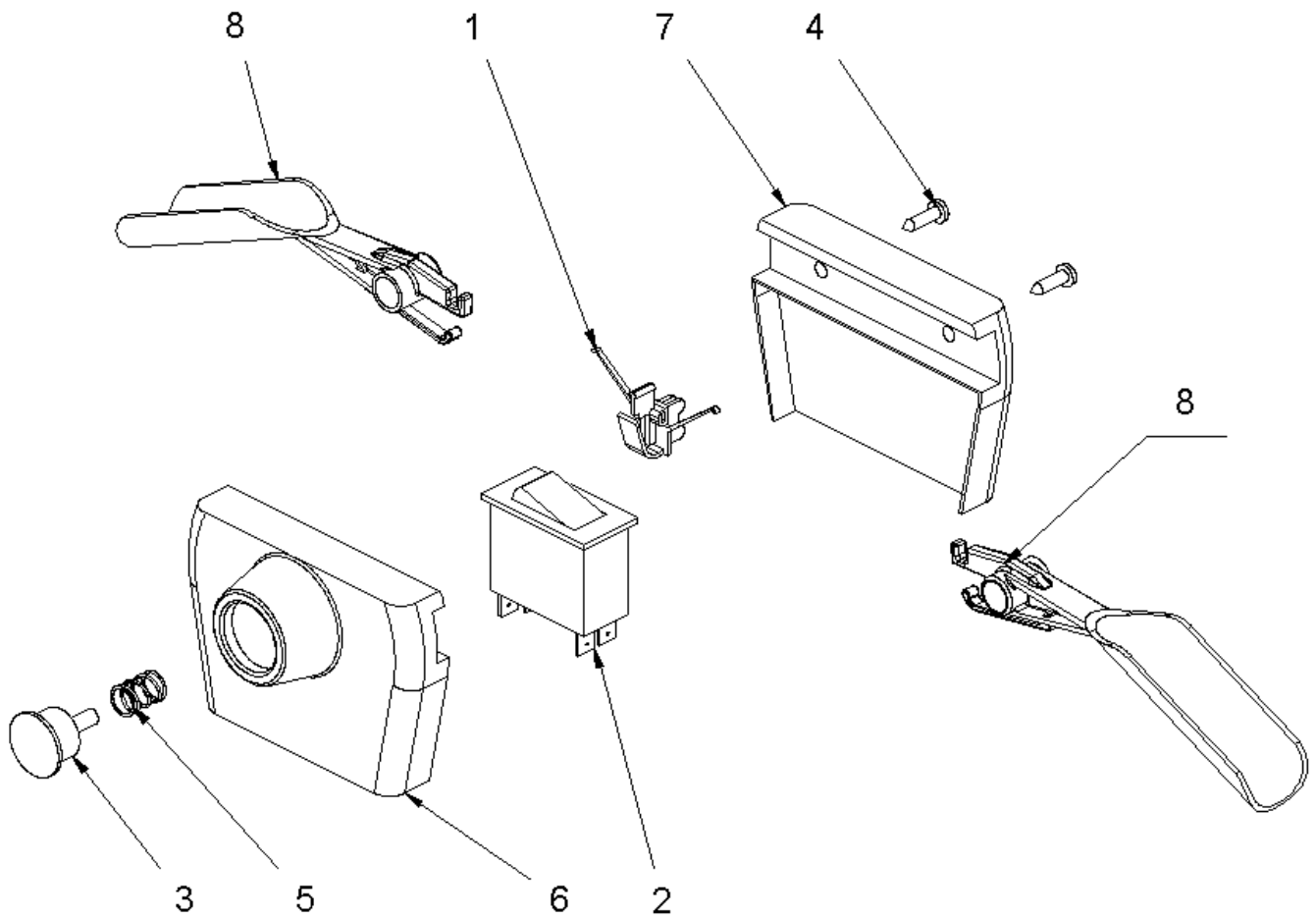
2 Handle + Carriage

Item no.	Article no.	Description	Quantity
31	037953	Fixing pin	1
32	019090	Bushing BB 1209 DU	4
33	074686	Base support handle NEO 230	1
34	074652	Inner tube NEO 230	1
35	074694	Screw M10x20 DIN 7379	2
36	042473	Clamping lever GN300-78-M10-SW	1
37	014645	Wheel Mambo+carriage pressure roll	2
38	017922	Wheel hub Mambo	2
39	074695	Flat round screw M10X75 DIN 603	3
40	074646	SG Outside pipe NEO 230	1
41	074655	SG Chassis NEO 230	1
42	074677	SG Fahrwerk NEO 230	1
43	074687	Switch housing NEO 230	1
44	015421	Foam handle SEE 86091 long/86092 short	1
45	074653	Handle NEO 230	1
46	074561	Stopper d40,0x1-3 black	1
47	074559	Stopper d35,0x3-5 black	1
48	014817	Hexagon nut M10 DIN 985	2
49	074648	Truss handle NEO 230	2
50	017637	Washer 13x37x3 DIN 9021	2
51	014829	Washer M10 DIN 125 A	4
52	018236	Washer 10.5 DIN 9021	2
53	015000	Two-hand switch 20A	1
54	018301	Cylinder head screw M10x20 DIN 912	2
55	017551	Cylinder head screw M8x50 DIN 912	2
56	017531	Headless pin M6x6 DIN 913	2
57	018806	Split pin 3,2x25 DIN 94	2
58	017639	Cylinder head screw M4x55 DIN 912	1
60	016961	Snorr washer M4	1
61	014759	Countersunk screw M8x18 DIN 7991 10.9	4
62	014860	Schnorr Washer M8	2
63	017663	Tooth lock washer 4.3 Form A DIN 6797	2
64	017473	Cylinder head screw M4x8 DIN 84 brass	2
65	075487	Spacer 24x12,6x16 PA black	2

2 Handle + Carriage

Item no.	Article no.	Description	Quantity
66	014975	Electrical cord3G1,5X0,4m black Schukost	1
67	017725	Cylinder head screw M4x20 DIN 912	4
68	017709	Cable clamp plastic	4
70	074676	Axle short Running gear NEO 230	1
71	038567	Clamping lever GN300-92-M10-16-SW	1
72	081195	Motor cable cpl. NEO 230	1
73	051437	El.cord 3G2,5x10m black without plug	1
74	039203	Plug grey	1
74	079056	Plug 3-pol. 230V DK	1

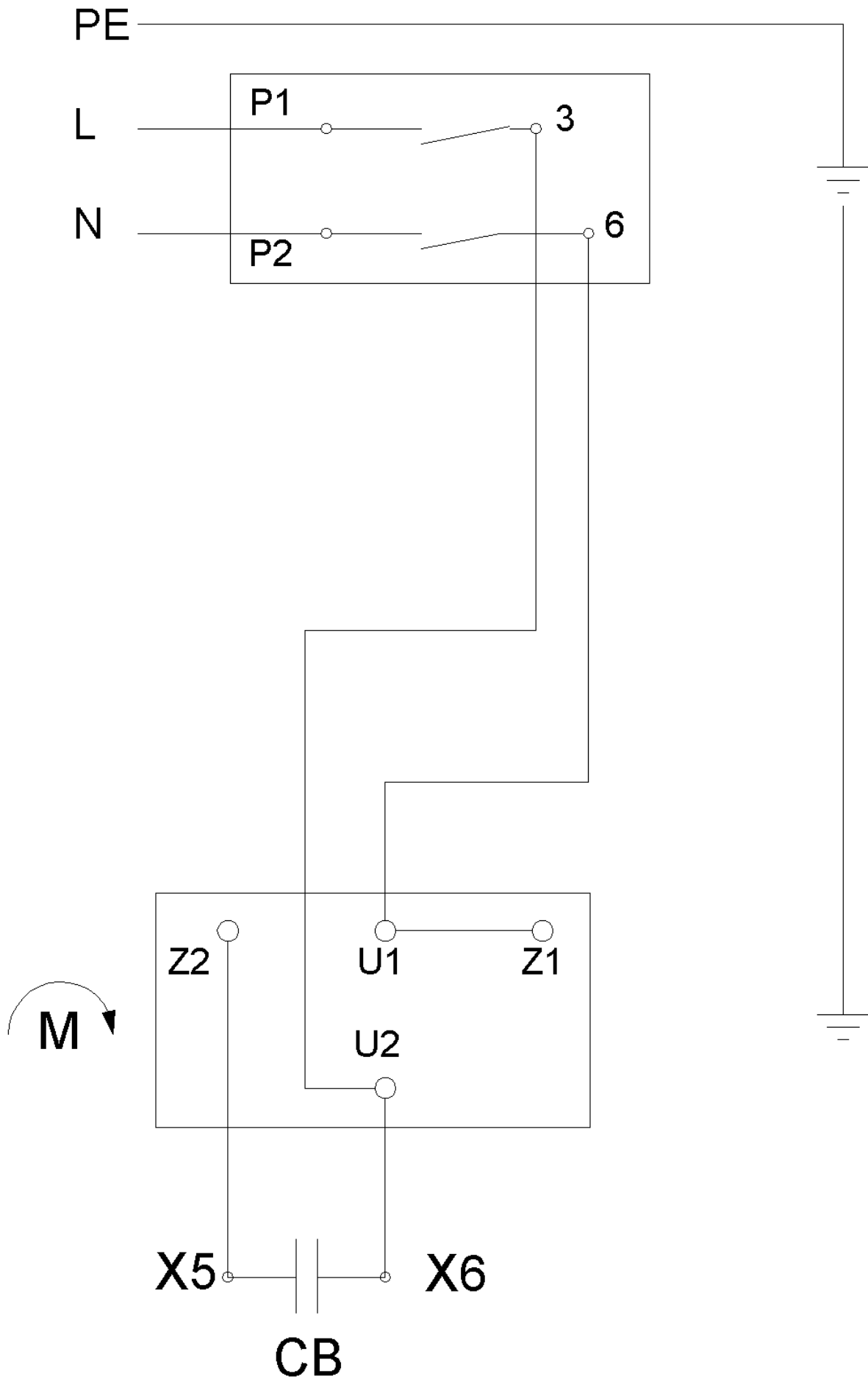
53 Two-hand switch 20A



53 Two-hand switch 20A

Item no.	Article no.	Description	Quantity
1	017449	Switch mechanics for two hand switch	1
2	019538	Switch 20A Mambo	1
3	019539	Push button Mambo	1
4	019540	Pan-head tapping screw 4.2x16 DIN 7981 C	2
5	019541	Pressure spring 11x15x1	1
6	019547	Housing f.2hand switch Mambo	1
7	019548	cover for Two-hand switch Mambo	1
8	019549	Shift handle for two-hand switch Mambo	2

3 Circuit Diagram



3 Circuit Diagram

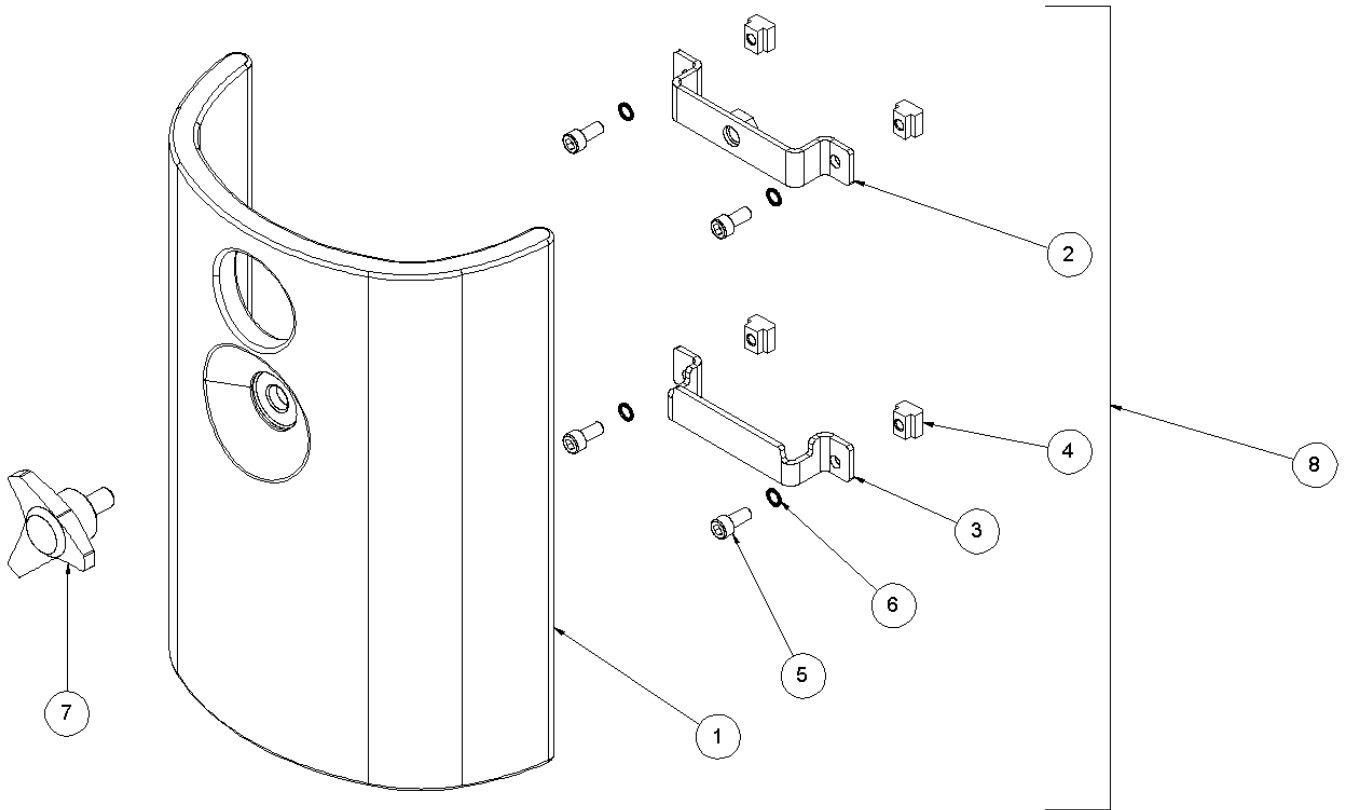
4 Tool kit #075915

Item no.	Article no.	Description	Quantity
1	054064	Tool bag green - Wolff	1
2	015315	Hearing protectors	1
3	015316	Protective goggles	1

5 Accessories

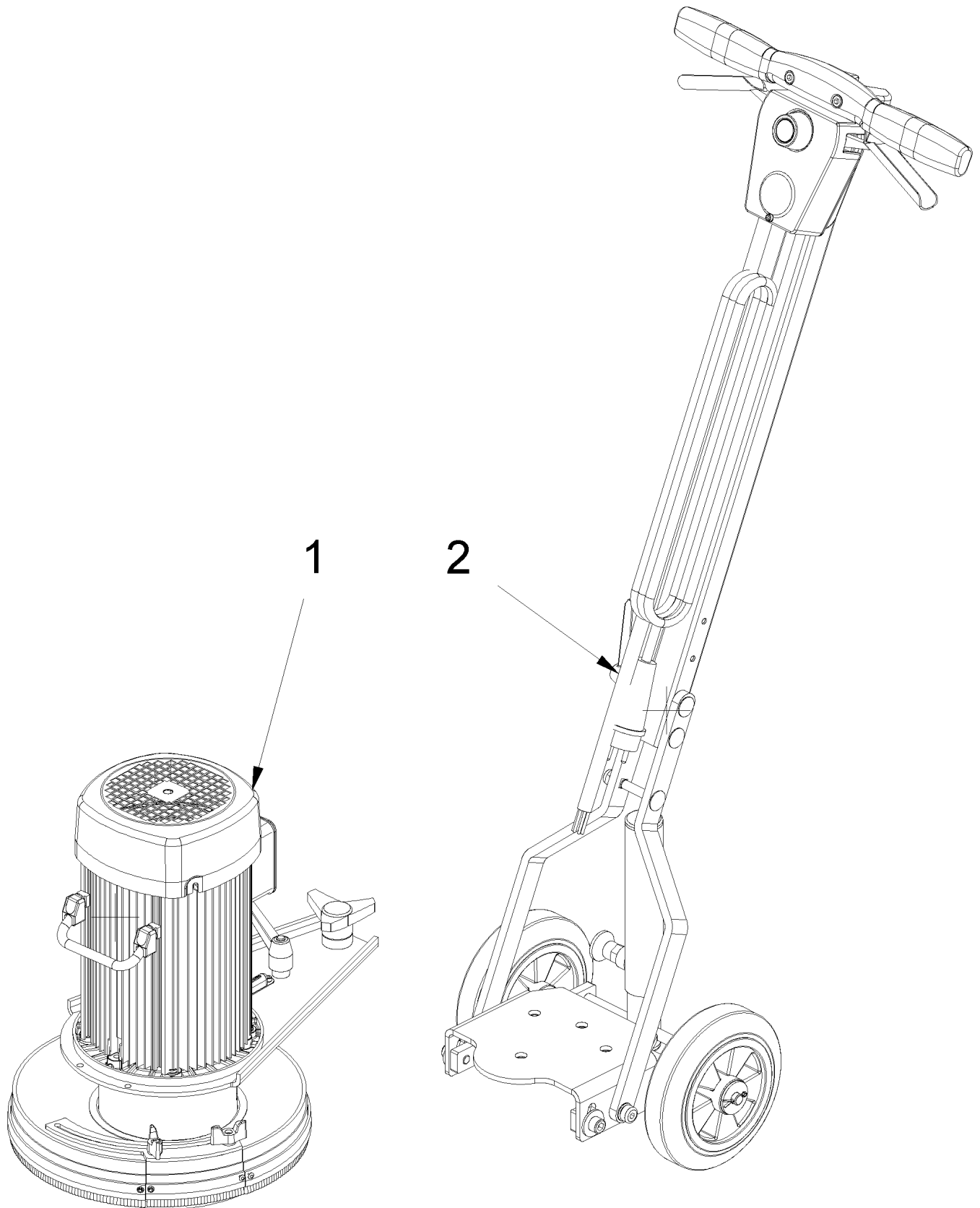
Item no.	Article no.	Description	Quantity
4	070900	Hexagonal screw key SW8 DIN 911L	1
7	038921	Suction nozzle f. Vacu-+Comp.clean+Mambo	1
8	013339	End piece, Ø50mm T-Rex	1

6 Additional weight



6 Additional weight

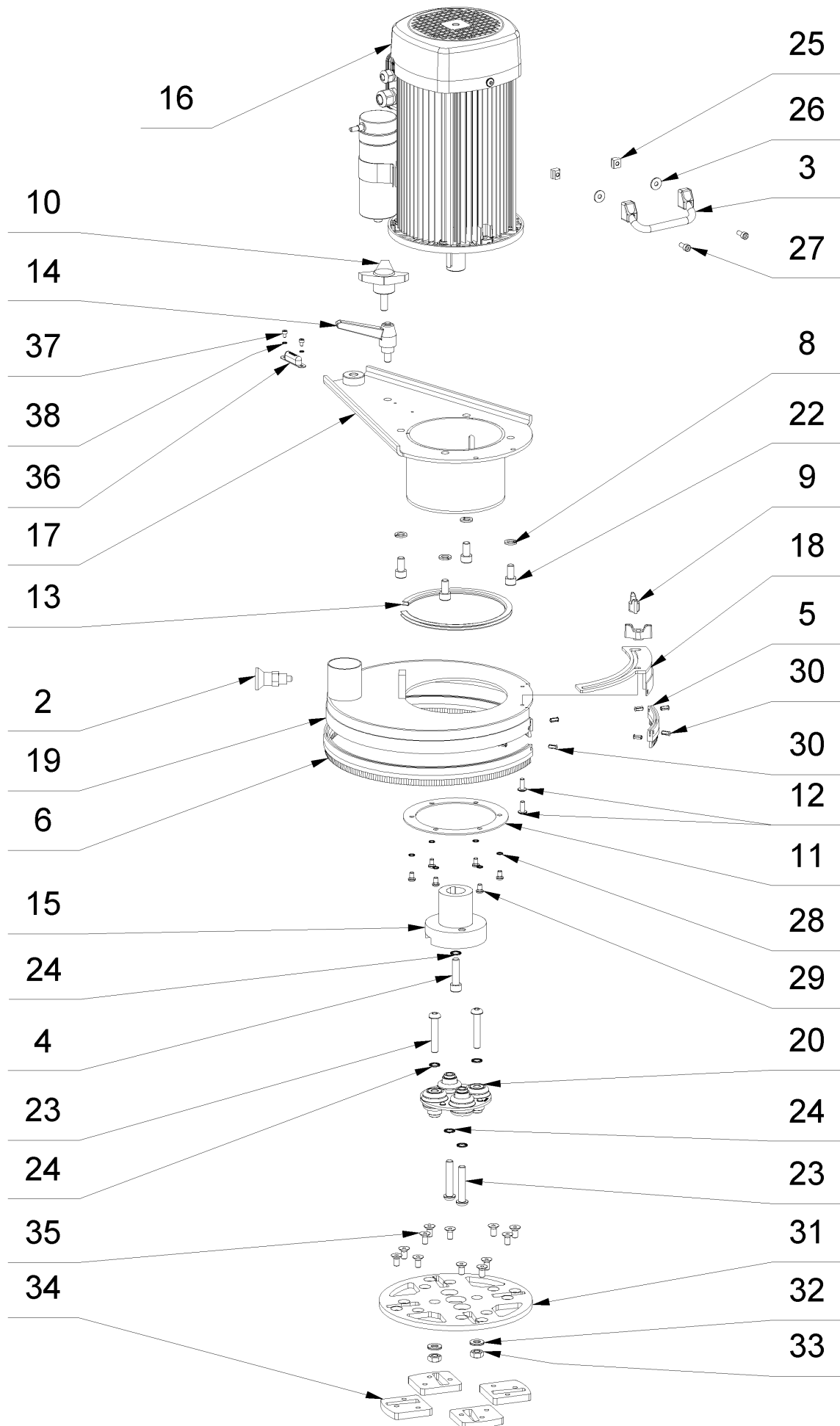
Item no.	Article no.	Description	Quantity
1	176998	Zusatzgewicht NEO 230 Guss	1
2	178397	Top mount additional weight NEO 230	1
3	177767	Bottom mount additional weight NEO 230	1
4	075478	Nut M6 DIN 508	4
5	014727	Cylinder head screw M 6x14 DIN 912	4
6	014859	Schnorr washer M6	4
7	178918	Three star screw M10x 20 cpl.	1
8	178986	Additional weight NEO 230 set	1



3 NEO 230 (0256/2016 - 0355/2017)

Item no.	Article no.	Description
1	02_01_074650	Motor
2	03_02_074650	Handle + Carriage
3	01_03_074650	Circuit Diagram
4	01_04_075915	Tool kit #075915
5	01_05_074650	Accessories
6	01_06_178986	Additional weight

1 Motor



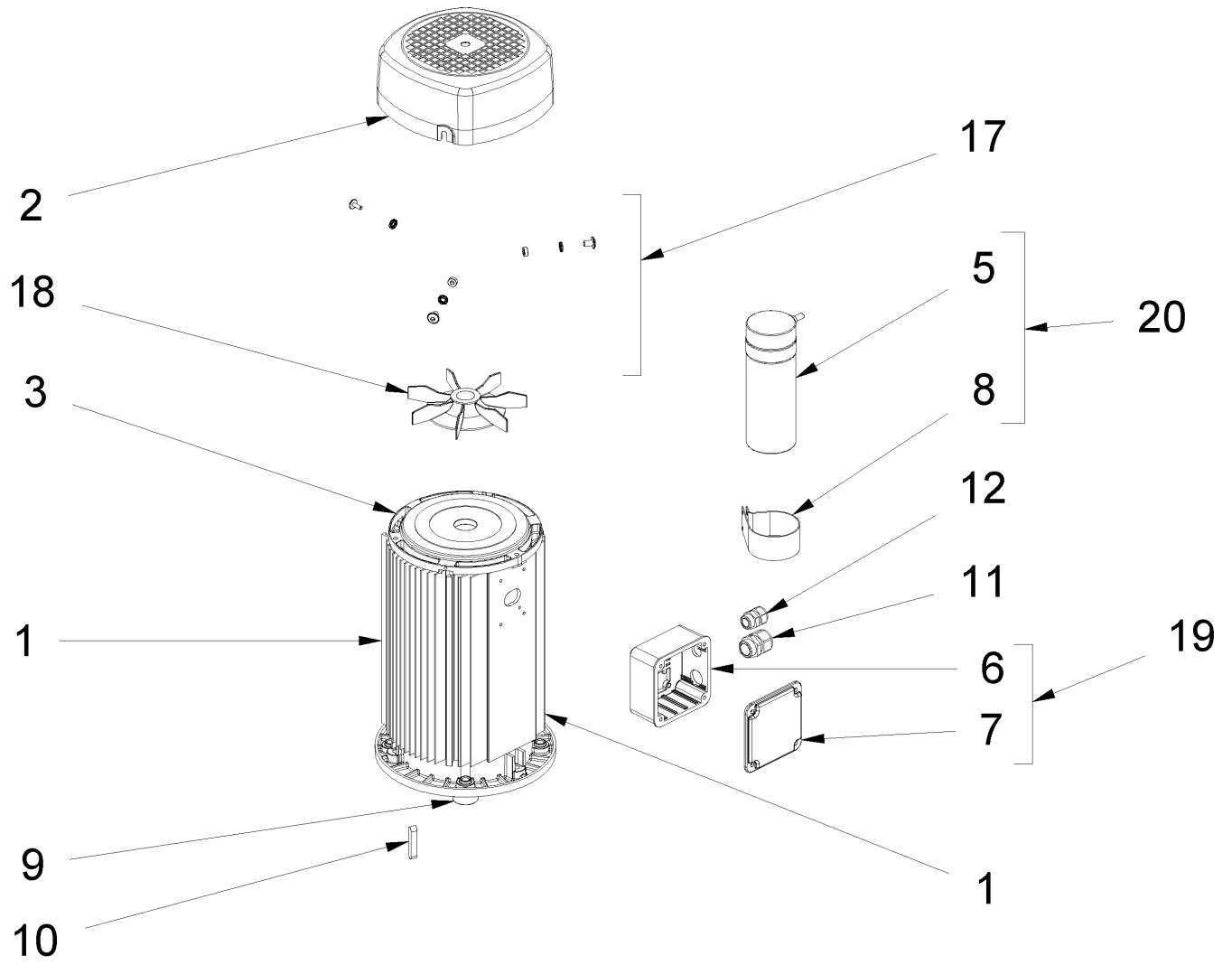
1 Motor

Item no.	Article no.	Description	Quantity
2	037953	Fixing pin	1
3	074634	Foldable handle NEO 230	1
4	018300	Cylinder head screw M10x30 DIN 912	1
5	075057	Brush short NEO 230	1
6	075058	Brush long NEO 230	1
8	017760	Spring washer 10 DIN 127 B	4
9	047796	Wing nut M6 plastic	2
10	039232	Three-star grip screw M10x30	1
11	074692	Supporting ring NEO 230	1
12	017552	Lens head screw M 6x16 ISO 7380	2
13	075060	Edge cover NEO 230	1
14	038567	Clamping lever GN300-92-M10-16-SW	1
15	060008	Coupling flange NEO SEE 165662	1
16	066796	Motor NEO 230 2 KW EMG	1
17	074680	SG Flange NEO 230	1
18	074688	Flap short NEO 230	1
19	083804	BG Dust seal NEO 230	1
20	042689	Rubber coupling for drive Neo 230/Omega	1
22	018301	Cylinder head screw M10x20 DIN 912	4
23	060010	Lens screw M10x55 ISO 7380	4
24	014861	Washer M10	5
25	075478	Nut M6 DIN 508	2
26	017724	Washer DIN 9021 6,4x18x1,6	2
27	014727	Cylinder head screw M 6x14 DIN 912	2
28	014859	Schnorr washer M6	6
29	017554	Lens head screw M 6x 8	6
30	078297	Spreader rivet 4,8/4,0-8,7	8
31	051207	Disk admission for segments Alpha	1
32	079872	safety washer M10 LL	2
33	014811	Hexagon nut M 10 DIN 934	2
34	048744	Segment holder	4
35	016994	Counter sunk screw M8x16 DIN 7991 10.9	12
36	081698	Longitudinal Dragonfly NEO 230/400	1
37	081714	Cylinder head screw M 4X6 DIN 912	2

1 Motor

Item no.	Article no.	Description	Quantity
38	016961	Snorr washer M4	2

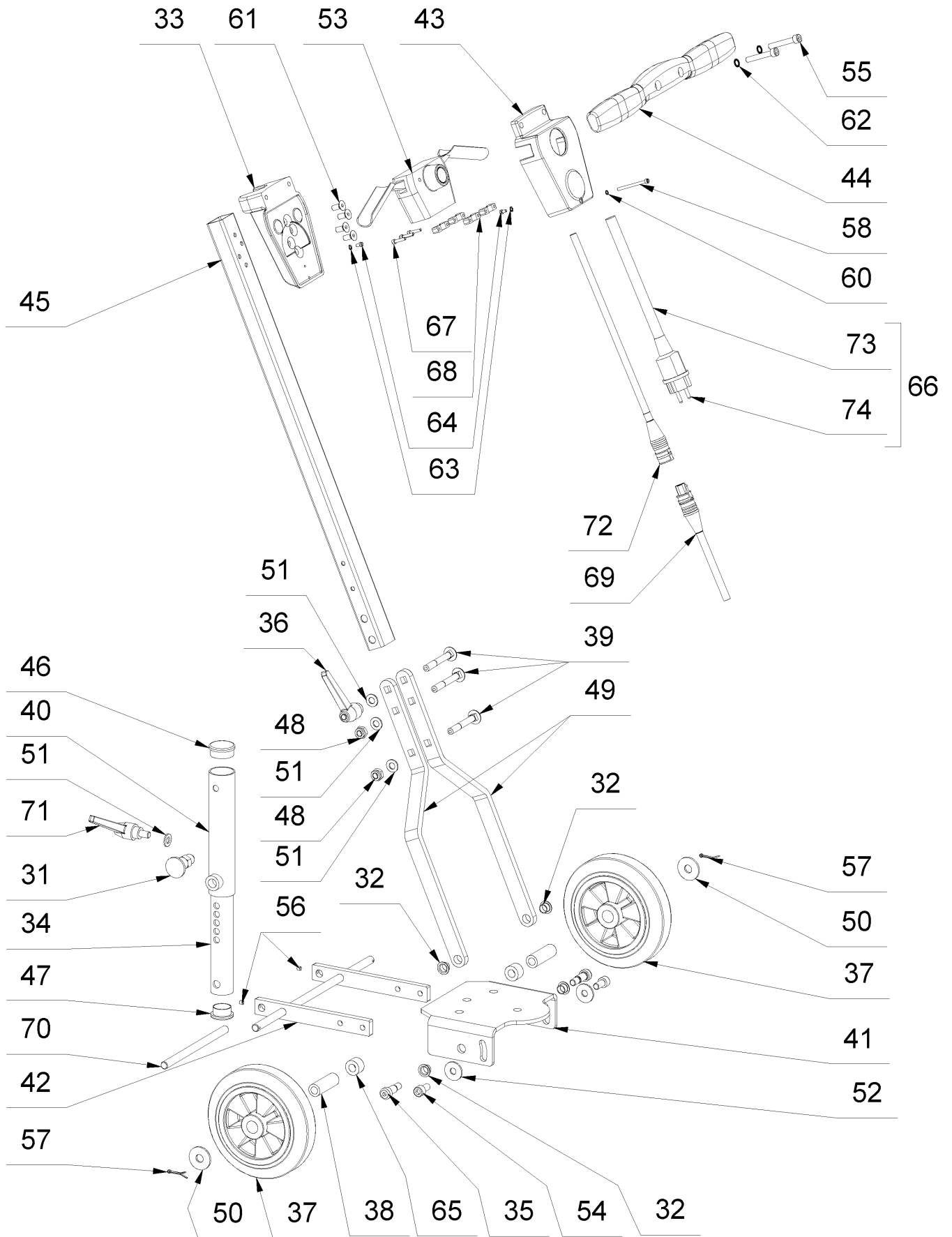
16 Motor NEO 230 2 KW EMG



16 Motor NEO 230 2 KW EMG

Item no.	Article no.	Description	Quantity
1		Housing	1
2	053225	Fan cover f.motor 230V Alpha/CT200	1
3	069825	Bearing plate CT200/Alpha	1
4	066914	Bearing plate CT200/Alpha	1
5	034028	Condenser 50mF EMG 2KW SEE 176683	1
6		Terminal cover	1
7		Terminal box cover	1
8	053304	capacitor bracket Ø60	1
9		Motor shaft	1
10	039457	Feather key 8x7x40 DIN 6885	1
11	051948	Cable gland M20x1.5	1
12	068199	Cable gland M16x1.5	1
17	071896	Screw kit f. fan cover Alpha/NEO	1
18	082116	Fan wheel NEO 230	1
19	081013	Terminal box w.cover NEO 230	1

2 Handle + Carriage



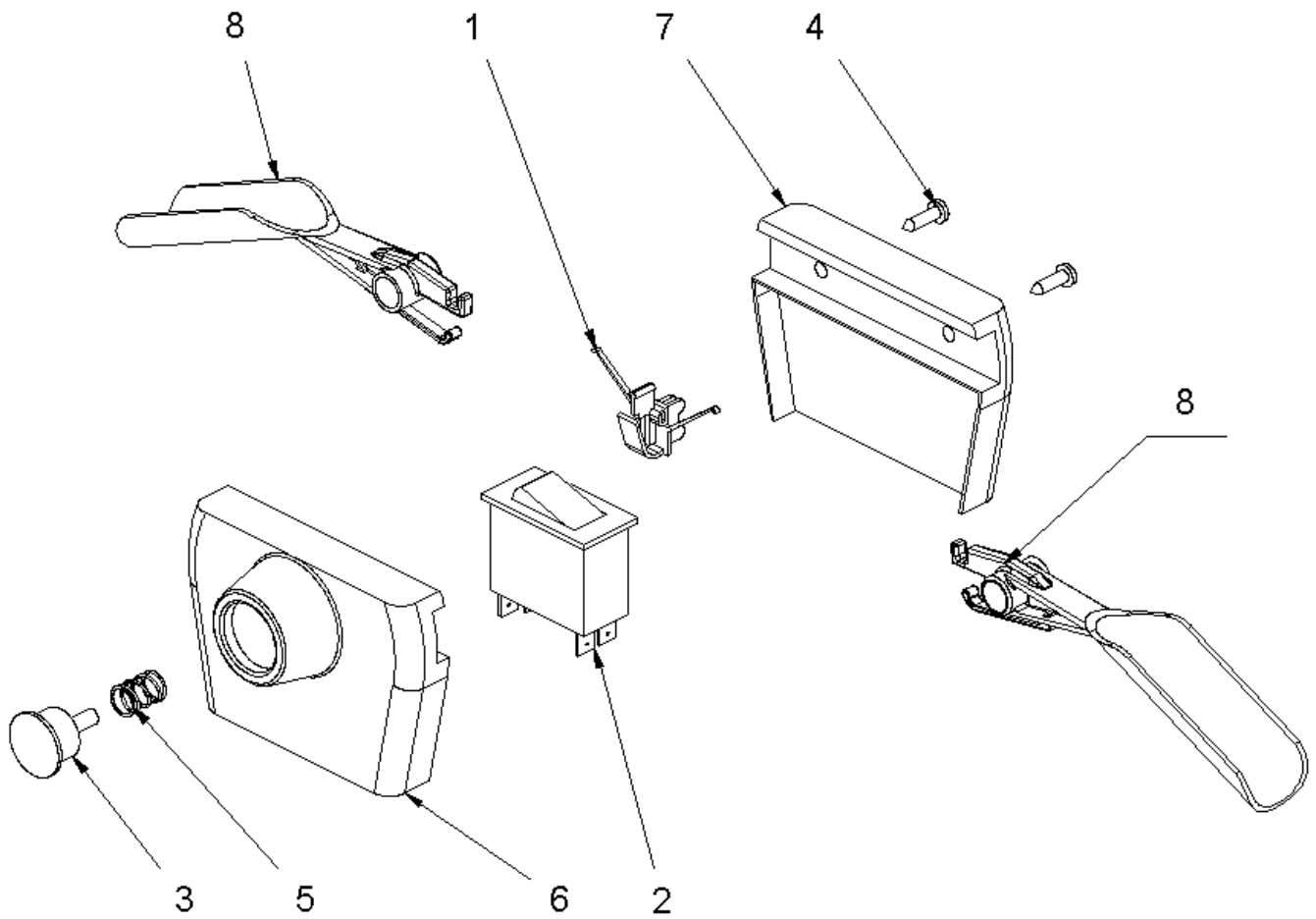
2 Handle + Carriage

Item no.	Article no.	Description	Quantity
31	037953	Fixing pin	1
32	019090	Bushing BB 1209 DU	4
33	074686	Base support handle NEO 230	1
34	074652	Inner tube NEO 230	1
35	074694	Screw M10x20 DIN 7379	2
36	042473	Clamping lever GN300-78-M10-SW	1
37	014645	Wheel Mambo+carriage pressure roll	2
38	017922	Wheel hub Mambo	2
39	074695	Flat round screw M10X75 DIN 603	3
40	074646	SG Outside pipe NEO 230	1
41	074655	SG Chassis NEO 230	1
42	074677	SG Fahrwerk NEO 230	1
43	074687	Switch housing NEO 230	1
44	015421	Foam handle SEE 86091 long/86092 short	1
45	074653	Handle NEO 230	1
46	074561	Stopper d40,0x1-3 black	1
47	074559	Stopper d35,0x3-5 black	1
48	014817	Hexagon nut M10 DIN 985	2
49	074648	Truss handle NEO 230	2
50	017637	Washer 13x37x3 DIN 9021	2
51	014829	Washer M10 DIN 125 A	4
52	018236	Washer 10.5 DIN 9021	2
53	015000	Two-hand switch 20A	1
54	018301	Cylinder head screw M10x20 DIN 912	2
55	017551	Cylinder head screw M8x50 DIN 912	2
56	017531	Headless pin M6x6 DIN 913	2
57	018806	Split pin 3,2x25 DIN 94	2
58	017639	Cylinder head screw M4x55 DIN 912	1
60	016961	Snorr washer M4	1
61	014759	Countersunk screw M8x18 DIN 7991 10.9	4
62	014860	Schnorr Washer M8	2
63	017663	Tooth lock washer 4.3 Form A DIN 6797	2
64	017473	Cylinder head screw M4x8 DIN 84 brass	2
65	075487	Spacer 24x12,6x16 PA black	2

2 Handle + Carriage

Item no.	Article no.	Description	Quantity
66	014975	Electrical cord3G1,5X0,4m black Schukost	1
67	017725	Cylinder head screw M4x20 DIN 912	4
68	017709	Cable clamp plastic	4
69	081194	Motor cable w.plug NEO 230	1
70	074676	Axle short Running gear NEO 230	1
71	038567	Clamping lever GN300-92-M10-16-SW	1
72	081193	Motor cable w.clutch NEO 230	1
73	051437	El.cord 3G2,5x10m black without plug	1
74	039203	Plug grey	1
74	079056	Plug 3-pol. 230V DK	1

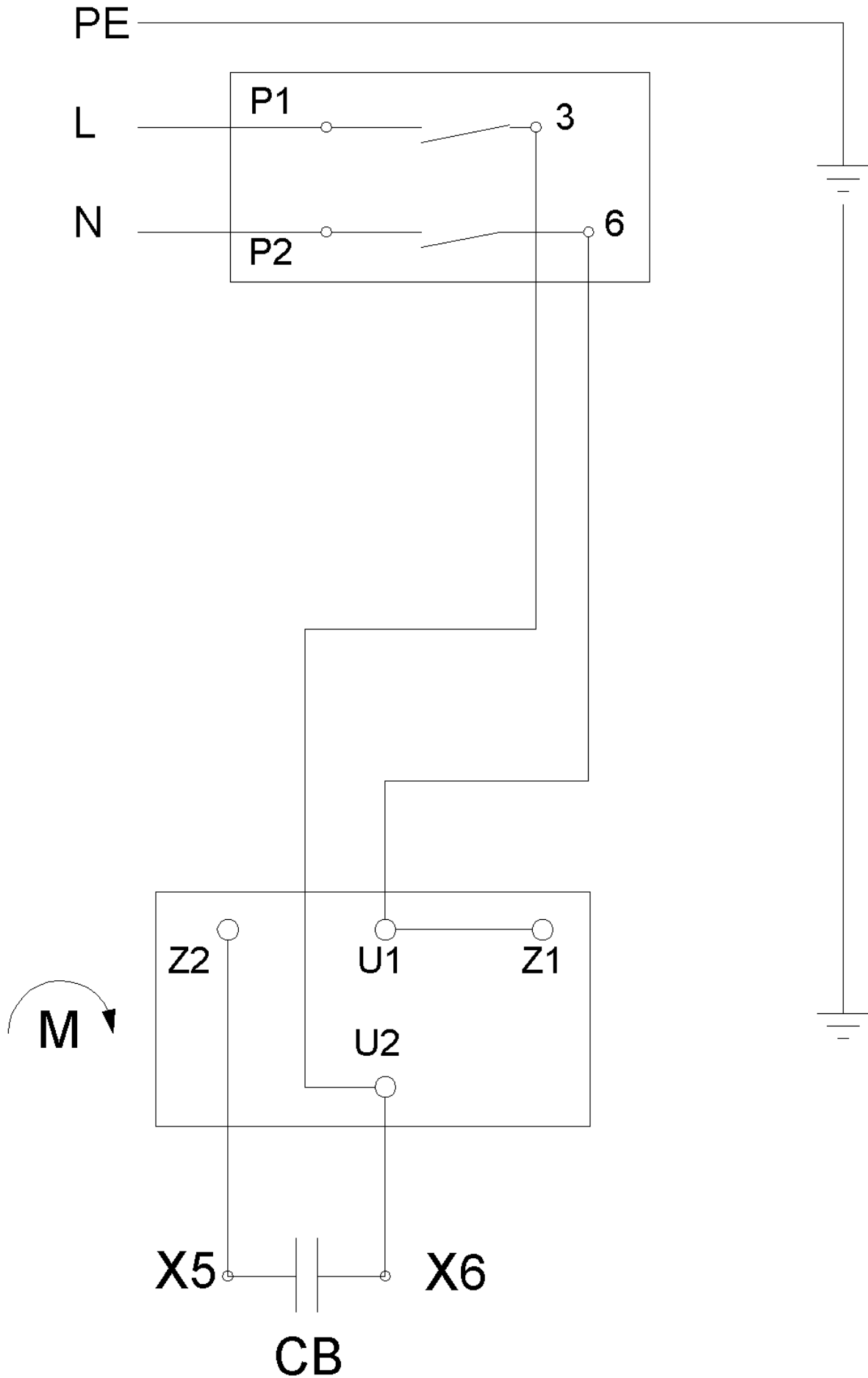
53 Two-hand switch 20A



53 Two-hand switch 20A

Item no.	Article no.	Description	Quantity
1	017449	Switch mechanics for two hand switch	1
2	019538	Switch 20A Mambo	1
3	019539	Push button Mambo	1
4	019540	Pan-head tapping screw 4.2x16 DIN 7981 C	2
5	019541	Pressure spring 11x15x1	1
6	019547	Housing f.2hand switch Mambo	1
7	019548	cover for Two-hand switch Mambo	1
8	019549	Shift handle for two-hand switch Mambo	2

3 Circuit Diagram



3 Circuit Diagram

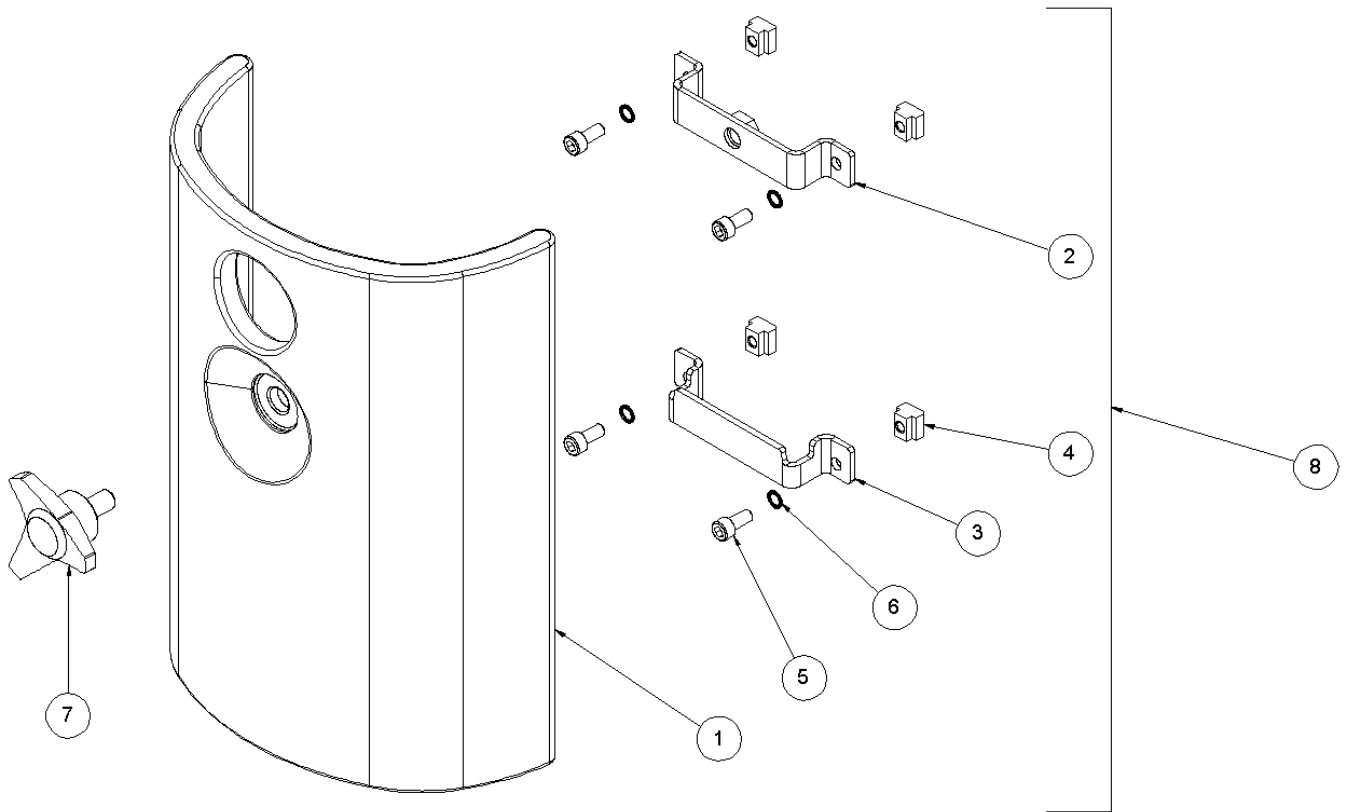
4 Tool kit #075915

Item no.	Article no.	Description	Quantity
1	054064	Tool bag green - Wolff	1
2	015315	Hearing protectors	1
3	015316	Protective goggles	1

5 Accessories

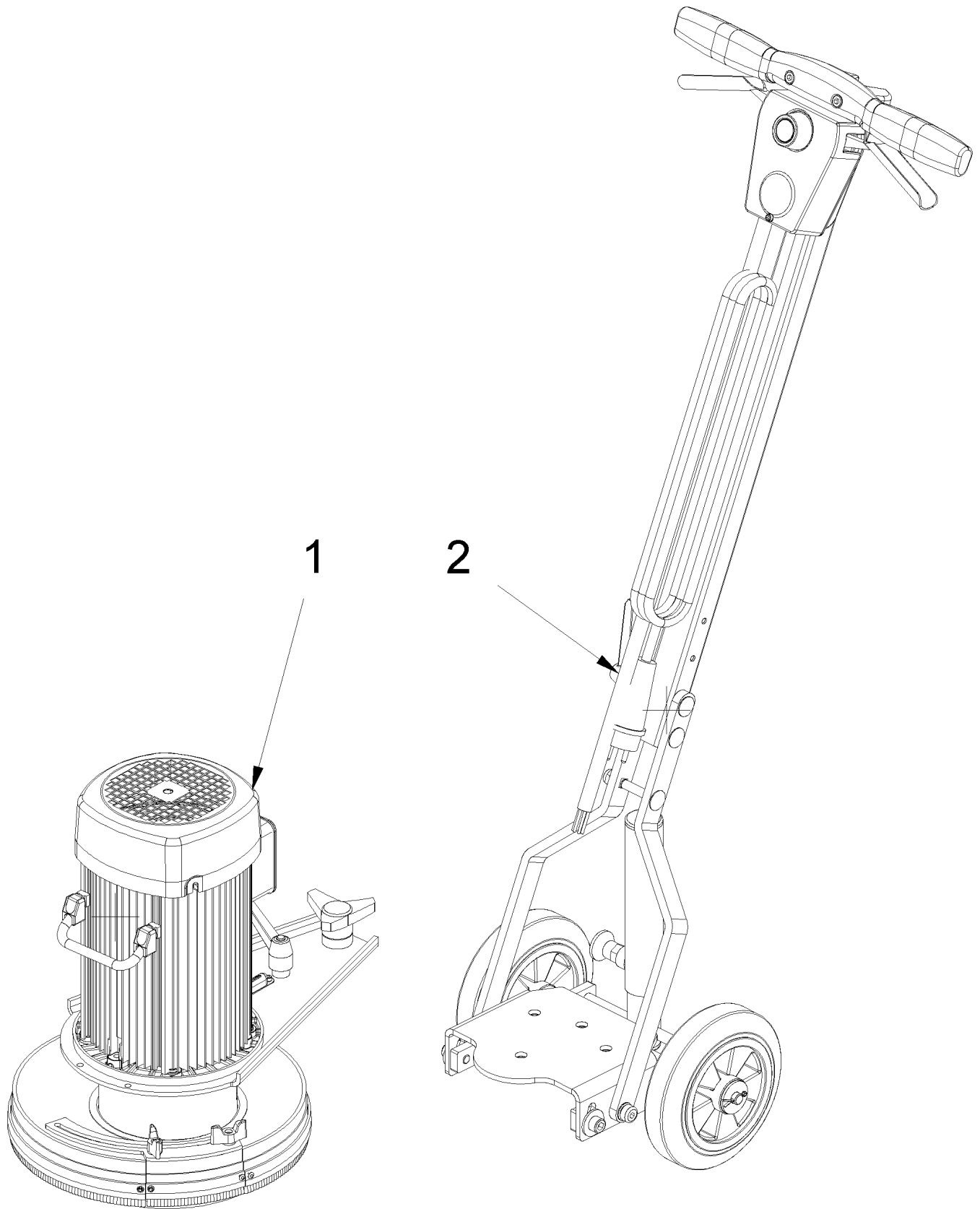
Item no.	Article no.	Description	Quantity
4	070900	Hexagonal screw key SW8 DIN 911L	1
7	038921	Suction nozzle f. Vacu-+Comp.clean+Mambo	1
8	013339	End piece, Ø50mm T-Rex	1

6 Additional weight



6 Additional weight

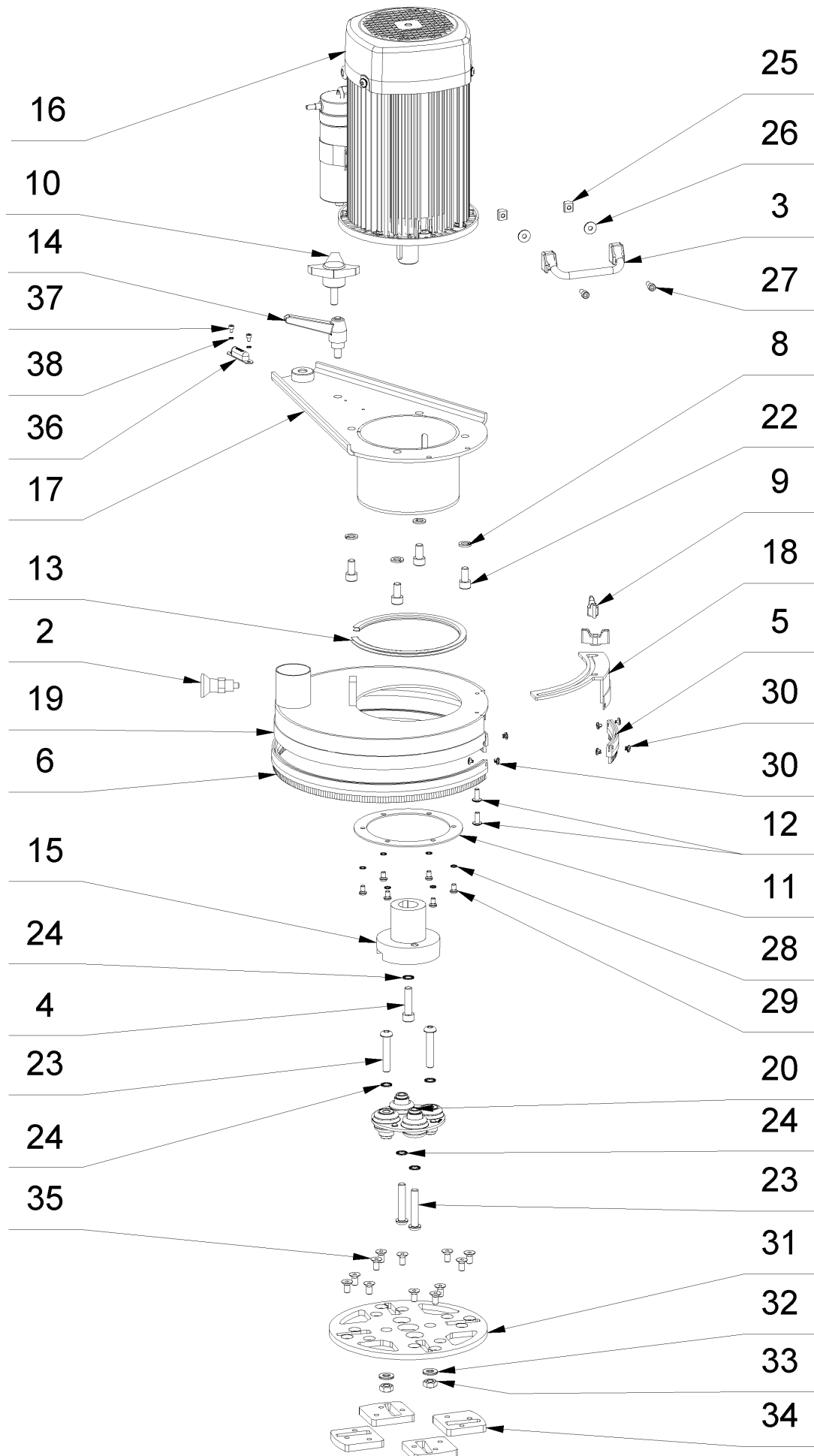
Item no.	Article no.	Description	Quantity
1	176998	Zusatzgewicht NEO 230 Guss	1
2	178397	Top mount additional weight NEO 230	1
3	177767	Bottom mount additional weight NEO 230	1
4	075478	Nut M6 DIN 508	4
5	014727	Cylinder head screw M 6x14 DIN 912	4
6	014859	Schnorr washer M6	4
7	178918	Three star screw M10x 20 cpl.	1
8	178986	Additional weight NEO 230 set	1



4 NEO 230 (0356/2017 - 0611/2018)

Item no.	Article no.	Description
1	04_01_074650	Motor
2	04_02_074650	Handle + Carriage
3	01_03_074650	Circuit Diagram
4	01_04_075915	Tool kit #075915
5	01_05_074650	Accessories
6	01_06_178986	Additional weight

1 Motor



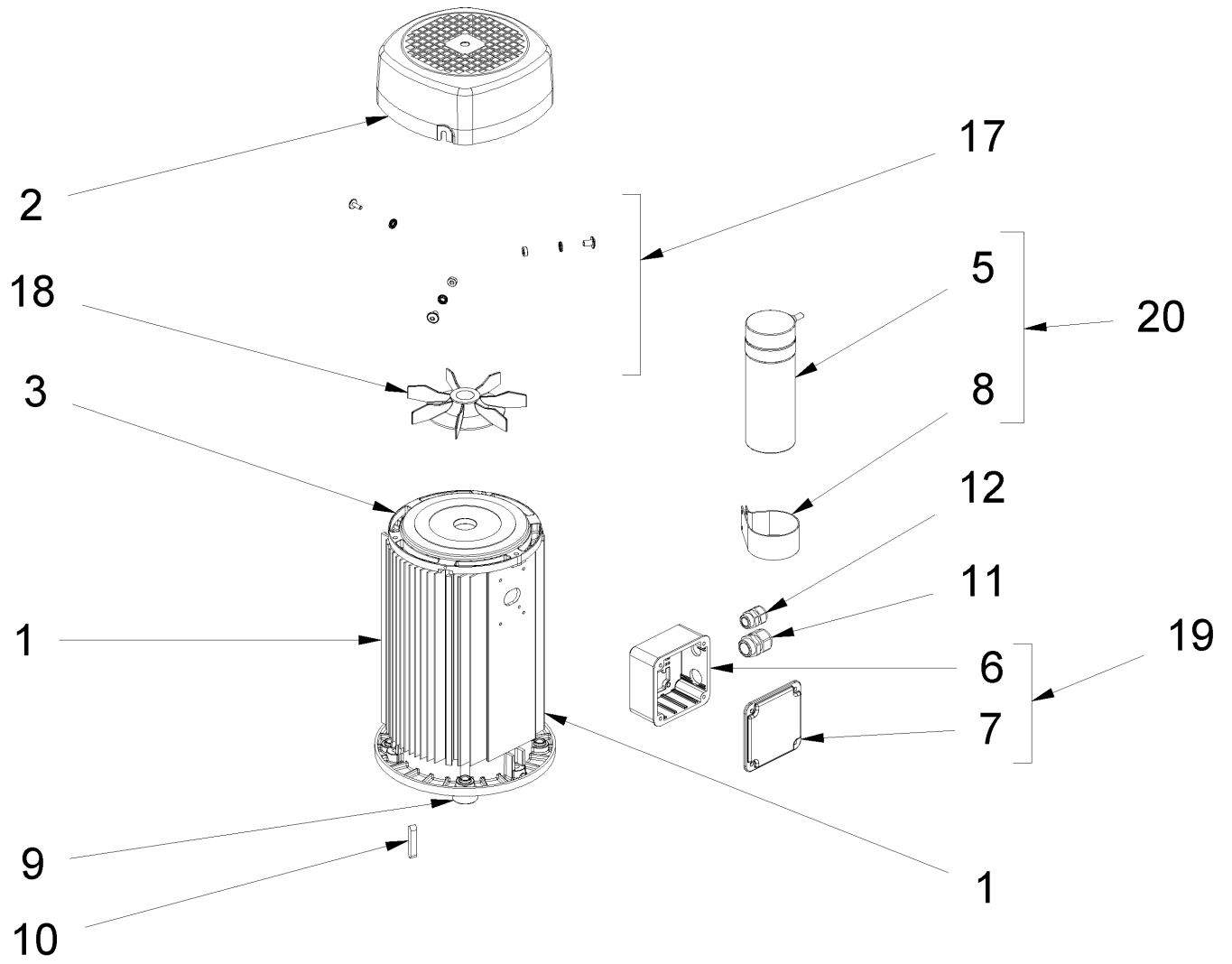
1 Motor

Item no.	Article no.	Description	Quantity
2	037953	Fixing pin	1
3	074634	Foldable handle NEO 230	1
4	018300	Cylinder head screw M10x30 DIN 912	1
5	075057	Brush short NEO 230	1
6	075058	Brush long NEO 230	1
8	017760	Spring washer 10 DIN 127 B	4
9	047796	Wing nut M6 plastic	2
10	039232	Three-star grip screw M10x30	1
11	074692	Supporting ring NEO 230	1
12	017552	Lens head screw M 6x16 ISO 7380	2
13	075060	Edge cover NEO 230	1
14	038567	Clamping lever GN300-92-M10-16-SW	1
15	060008	Coupling flange NEO SEE 165662	1
16	066796	Motor NEO 230 2 KW EMG	1
17	074680	SG Flange NEO 230	1
18	083232	Flap NEO high230	1
19	083233	Dust seal ring high NEO 230	1
20	042689	Rubber coupling for drive Neo 230/Omega	1
22	018301	Cylinder head screw M10x20 DIN 912	4
23	060010	Lens screw M10x55 ISO 7380	4
24	014861	Washer M10	5
25	075478	Nut M6 DIN 508	2
26	017724	Washer DIN 9021 6,4x18x1,6	2
27	014727	Cylinder head screw M 6x14 DIN 912	2
28			6
29	017554	Lens head screw M 6x 8	6
30	082549	Snip&Snap Ral 9005 black	8
31	051207	Disk admission for segments Alpha	1
32	079872	safety washer M10 LL	2
33	014811	Hexagon nut M 10 DIN 934	2
34	080943	Segment holder NEO 230	4
35	016994	Counter sunk screw M8x16 DIN 7991 10.9	12
36	081698	Longitudinal Dragonfly NEO 230/400	1
37	081714	Cylinder head screw M 4X6 DIN 912	2

1 Motor

Item no.	Article no.	Description	Quantity
38	016961	Snorr washer M4	2

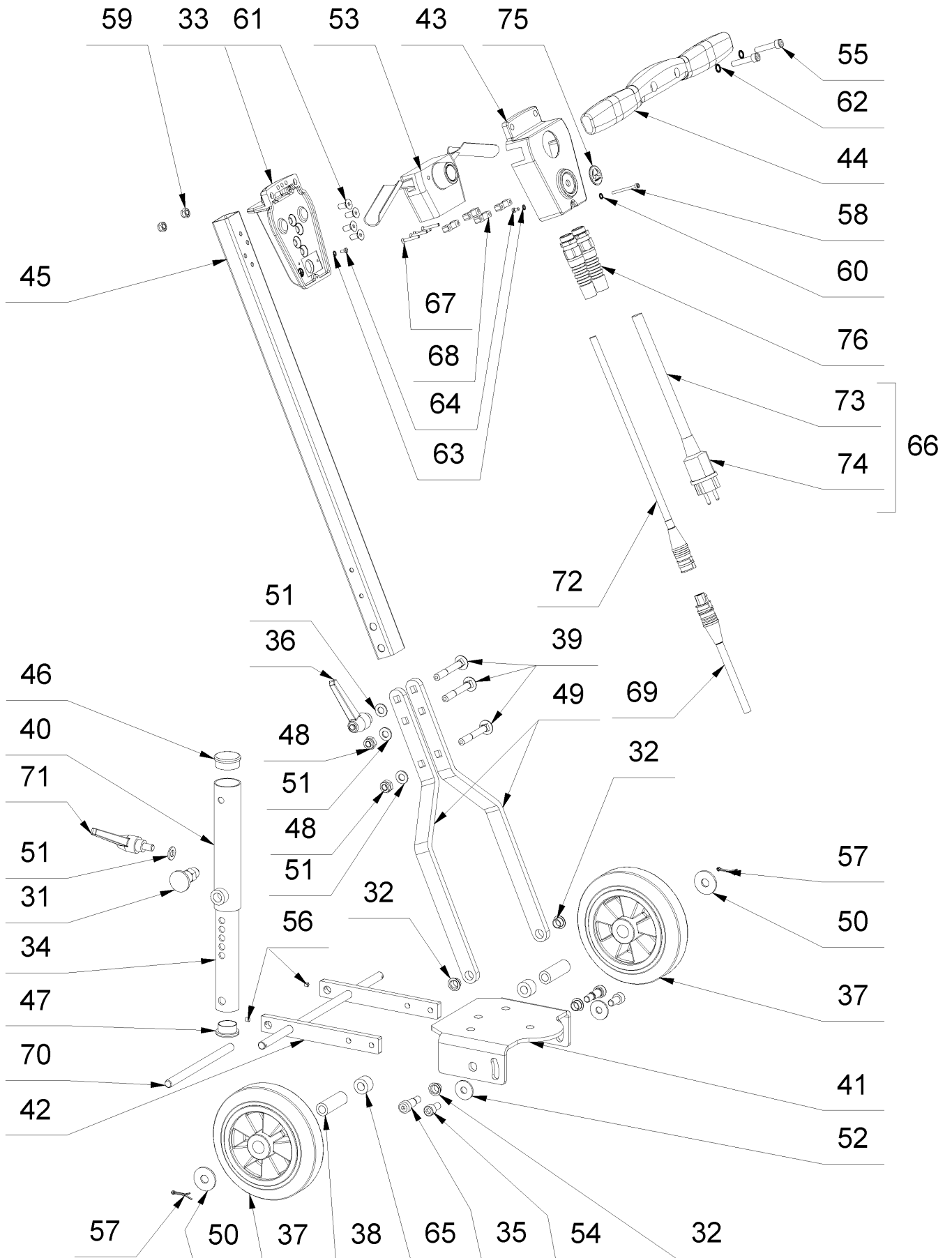
16 Motor NEO 230 2 KW EMG



16 Motor NEO 230 2 KW EMG

Item no.	Article no.	Description	Quantity
1		Housing	1
2	053225	Fan cover f.motor 230V Alpha/CT200	1
3	069825	Bearing plate CT200/Alpha	1
4	066914	Bearing plate CT200/Alpha	1
5	034028	Condenser 50mF EMG 2KW SEE 176683	1
6		Terminal cover	1
7		Terminal box cover	1
8	053304	capacitor bracket Ø60	1
9		Motor shaft	1
10	039457	Feather key 8x7x40 DIN 6885	1
11	051948	Cable gland M20x1.5	1
12	068199	Cable gland M16x1.5	1
17	071896	Screw kit f. fan cover Alpha/NEO	1
18	082116	Fan wheel NEO 230	1
19	081013	Terminal box w.cover NEO 230	1

2 Handle + Carriage



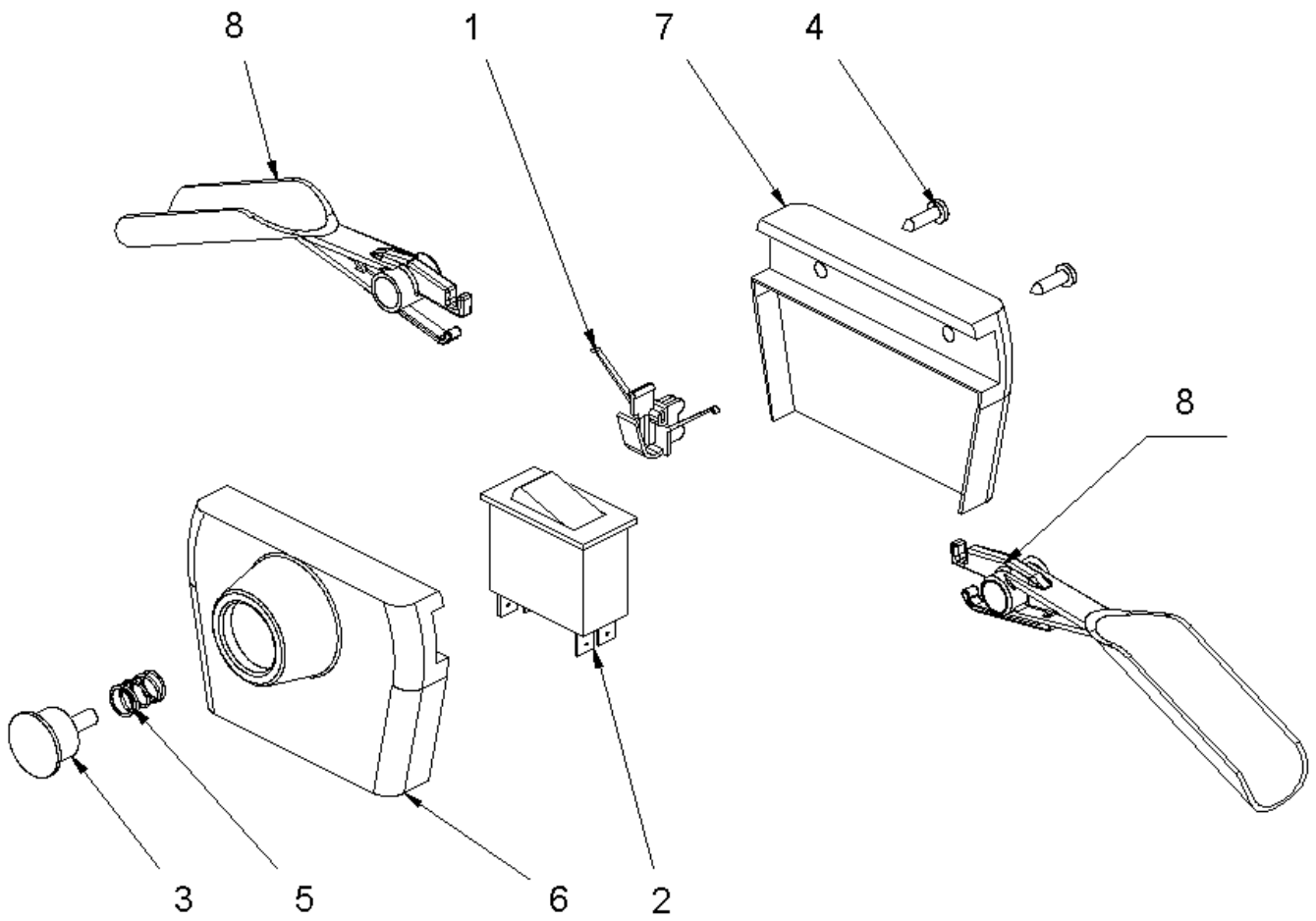
2 Handle + Carriage

Item no.	Article no.	Description	Quantity
31	037953	Fixing pin	1
32	019090	Bushing BB 1209 DU	4
33	074686	Base support handle NEO 230	1
34	074652	Inner tube NEO 230	1
35	074694	Screw M10x20 DIN 7379	2
36	042473	Clamping lever GN300-78-M10-SW	1
37	014645	Wheel Mambo+carriage pressure roll	2
38	017922	Wheel hub Mambo	2
39	074695	Flat round screw M10X75 DIN 603	3
40	074646	SG Outside pipe NEO 230	1
41	074655	SG Chassis NEO 230	1
42	074677	SG Fahrwerk NEO 230	1
43	074687	Switch housing NEO 230	1
44	015421	Foam handle SEE 86091 long/86092 short	1
45	074653	Handle NEO 230	1
46	074561	Stopper d40,0x1-3 black	1
47	074559	Stopper d35,0x3-5 black	1
48	014817	Hexagon nut M10 DIN 985	2
49	074648	Truss handle NEO 230	2
50	017637	Washer 13x37x3 DIN 9021	2
51	014829	Washer M10 DIN 125 A	4
52	018236	Washer 10.5 DIN 9021	2
53	015000	Two-hand switch 20A	1
54	018301	Cylinder head screw M10x20 DIN 912	2
55	014738	Cylinder head screw M 8x40 DIN 912	2
56	017531	Headless pin M6x6 DIN 913	2
57	018806	Split pin 3,2x25 DIN 94	2
58	017684	Cylinder head screw M4x45 DIN 912	1
59	014816	Hexagon nut M8 DIN 985	2
60	016961	Snorr washer M4	1
61	014759	Countersunk screw M8x18 DIN 7991 10.9	4
62	014860	Schnorr Washer M8	2
63	017663	Tooth lock washer 4.3 Form A DIN 6797	2
64	017473	Cylinder head screw M4x8 DIN 84 brass	2

2 Handle + Carriage

Item no.	Article no.	Description	Quantity
65	075487	Spacer 24x12,6x16 PA black	2
66	014975	Electrical cord3G1,5X0,4m black Schukost	1
67	037047	Counter sunk screw M4x30 DIN 7991 Torx	4
68	017709	Cable clamp plastic	4
69	081194	Motor cable w.plug NEO 230	1
70	074676	Axle short Running gear NEO 230	1
71	038567	Clamping lever GN300-92-M10-16-SW	1
72	081193	Motor cable w.clutch NEO 230	1
73	051437	El.cord 3G2,5x10m black without plug	1
74	039203	Plug grey	1
74	079056	Plug 3-pol. 230V DK	1
75	125896	Label Wolff 3D Ø30mm	1
76	039190	Screw connection w.bending prot.M20x1,5	2

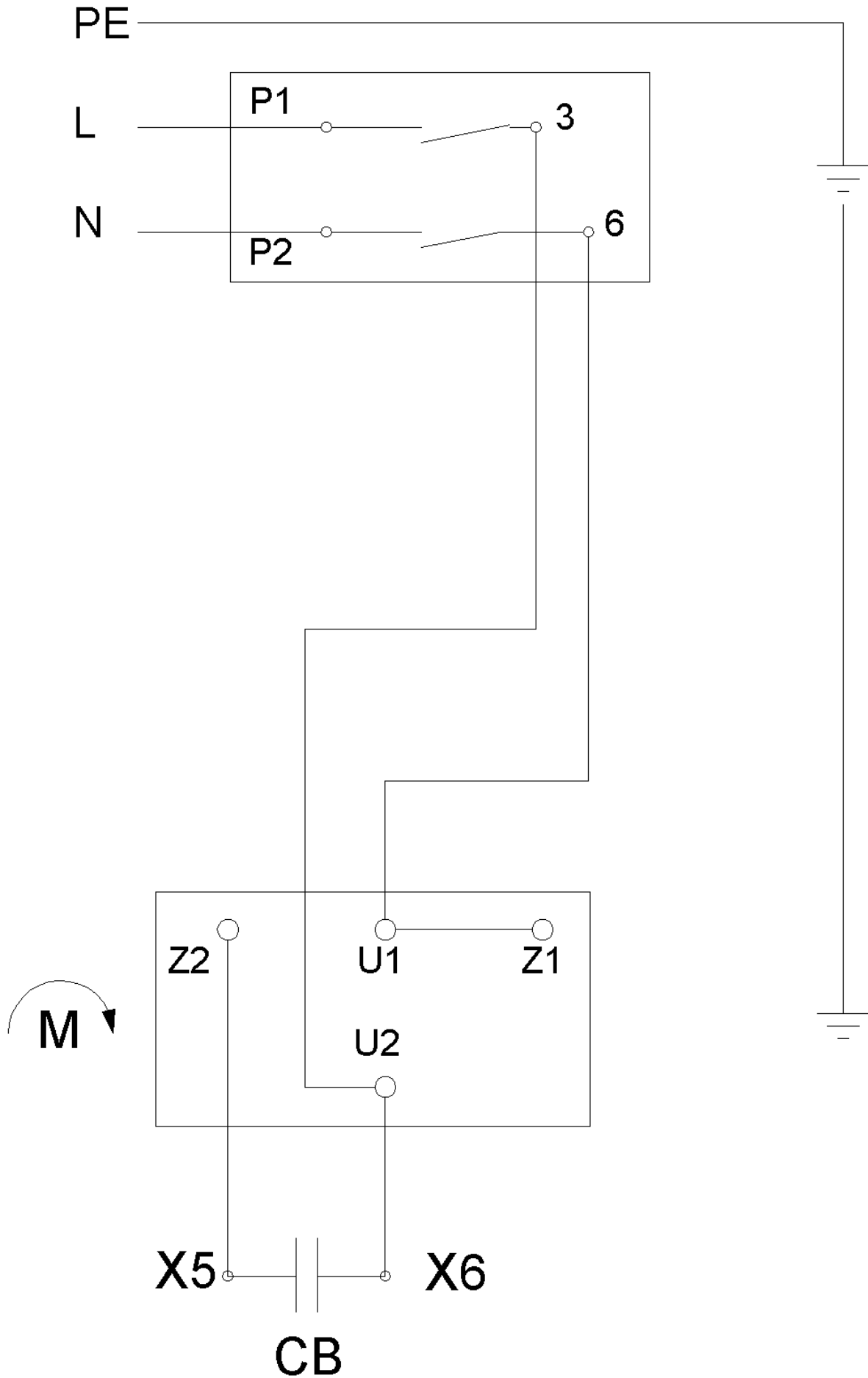
53 Two-hand switch 20A



53 Two-hand switch 20A

Item no.	Article no.	Description	Quantity
1	017449	Switch mechanics for two hand switch	1
2	019538	Switch 20A Mambo	1
3	019539	Push button Mambo	1
4	019540	Pan-head tapping screw 4.2x16 DIN 7981 C	2
5	019541	Pressure spring 11x15x1	1
6	019547	Housing f.2hand switch Mambo	1
7	019548	cover for Two-hand switch Mambo	1
8	019549	Shift handle for two-hand switch Mambo	2

3 Circuit Diagram



3 Circuit Diagram

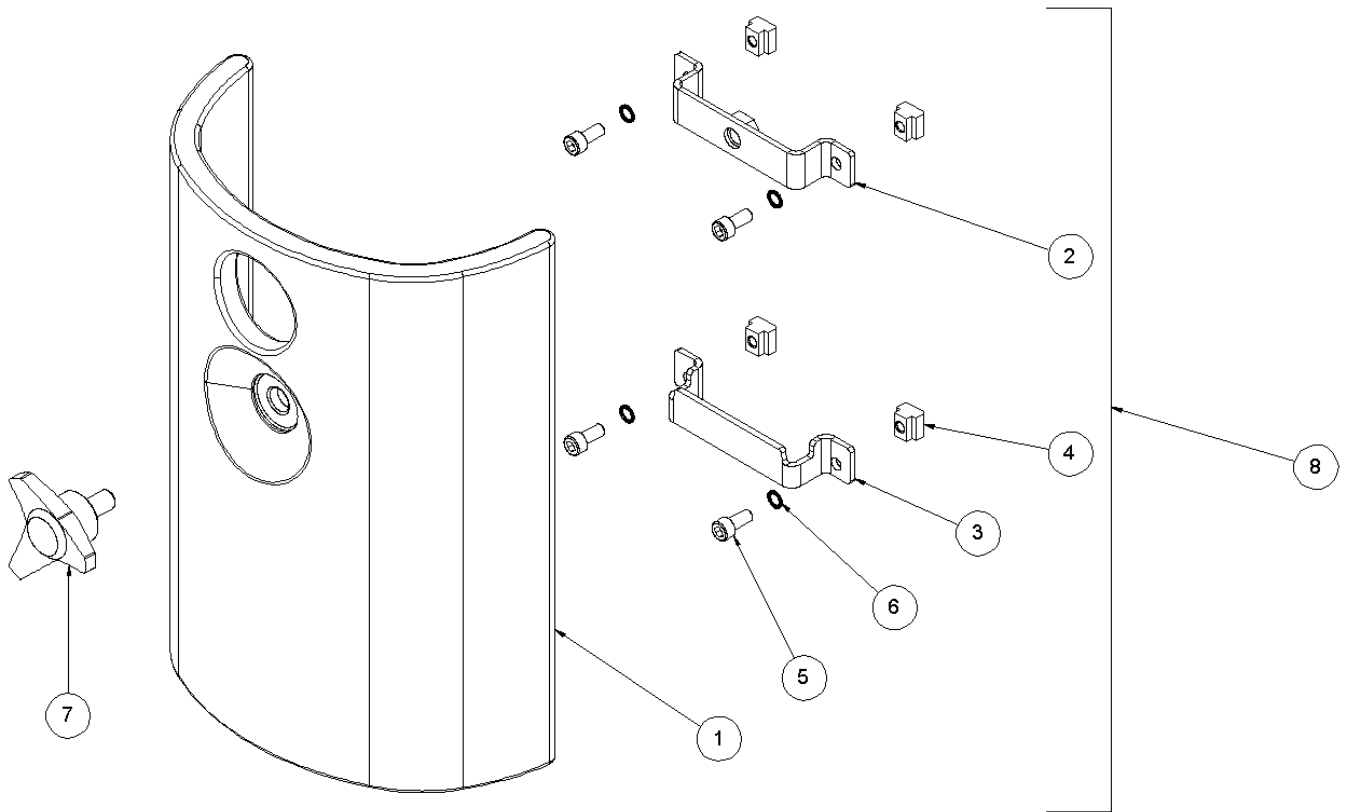
4 Tool kit #075915

Item no.	Article no.	Description	Quantity
1	054064	Tool bag green - Wolff	1
2	015315	Hearing protectors	1
3	015316	Protective goggles	1

5 Accessories

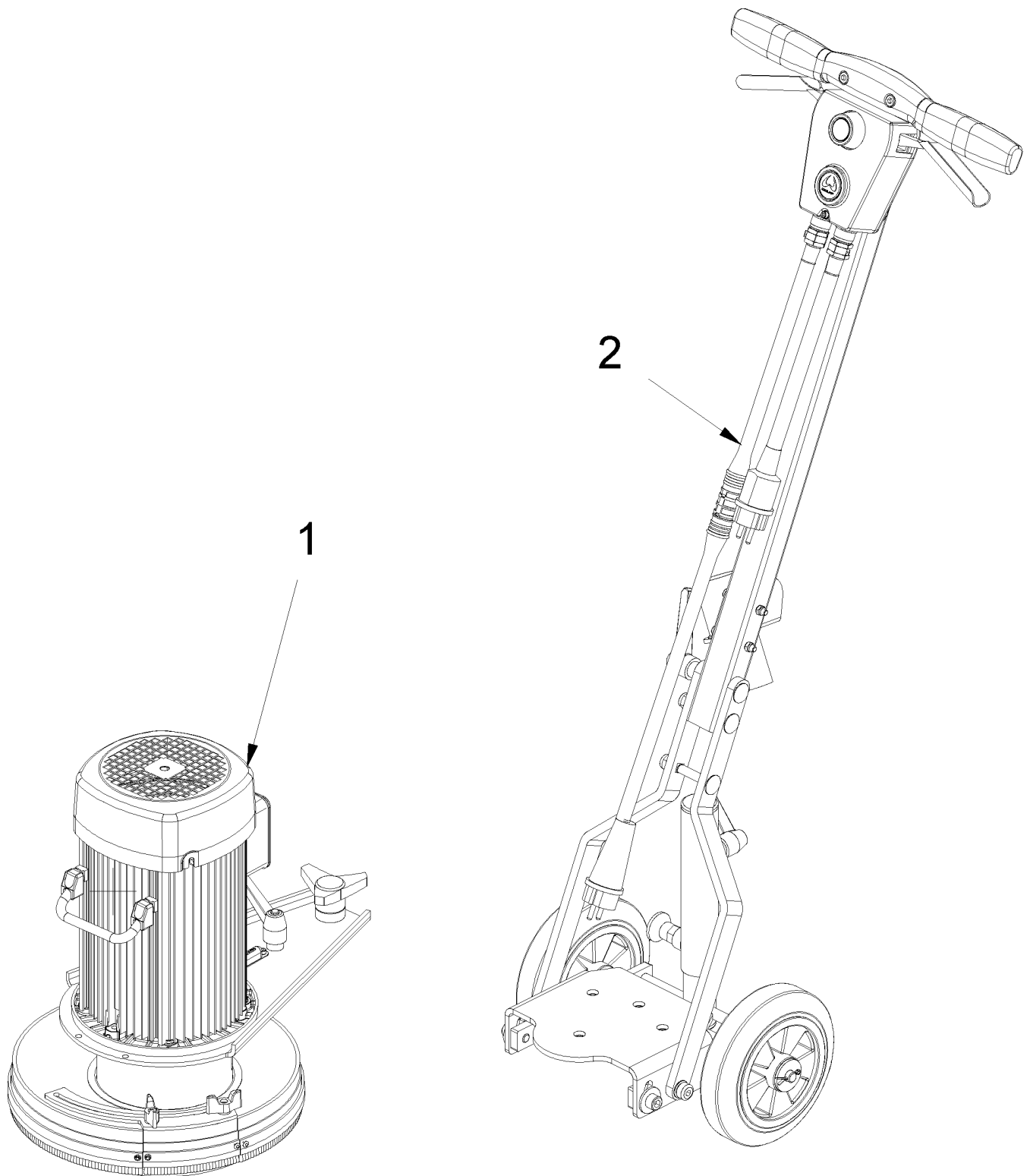
Item no.	Article no.	Description	Quantity
4	070900	Hexagonal screw key SW8 DIN 911L	1
7	038921	Suction nozzle f. Vacu-+Comp.clean+Mambo	1
8	013339	End piece, Ø50mm T-Rex	1

6 Additional weight



6 Additional weight

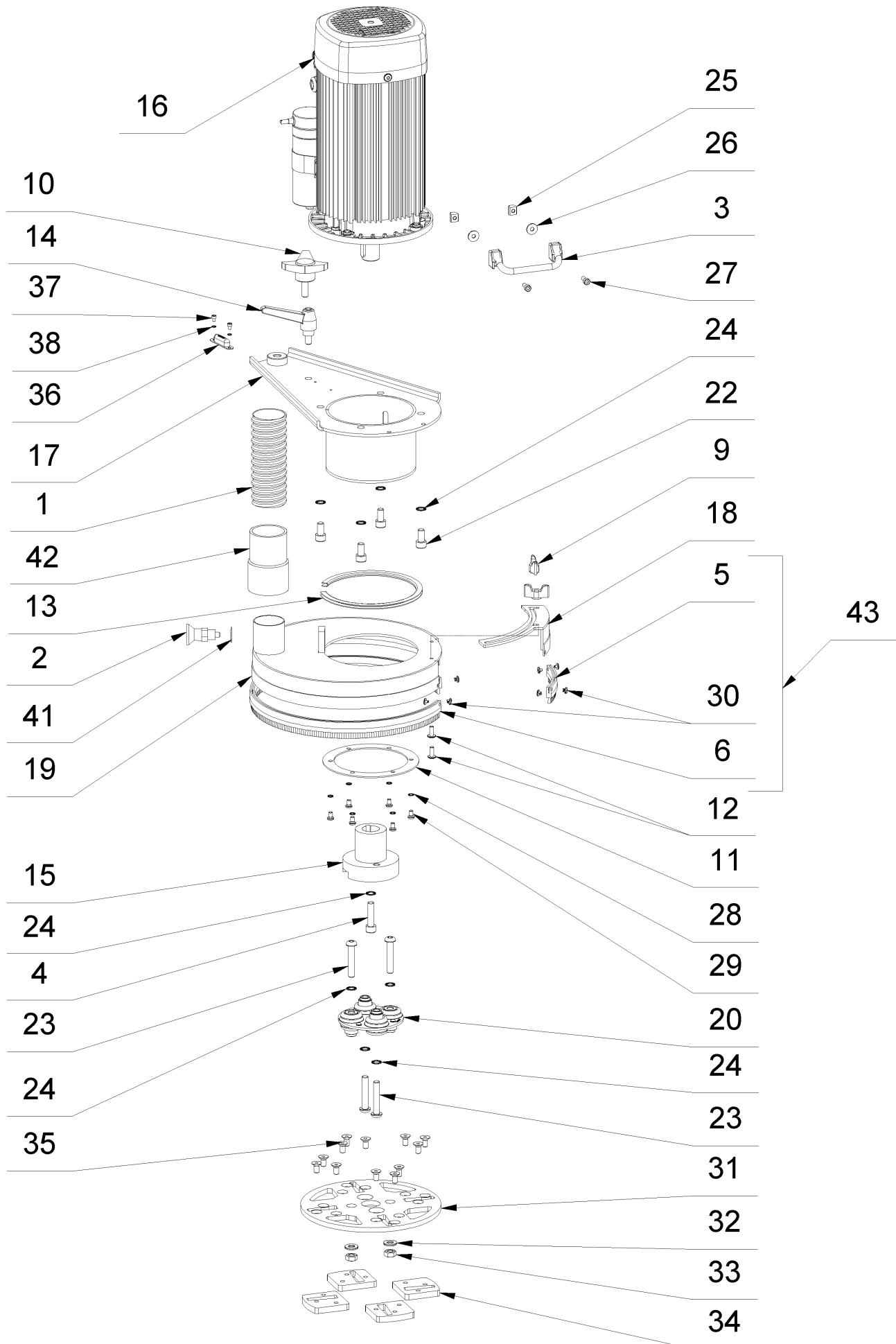
Item no.	Article no.	Description	Quantity
1	176998	Zusatzgewicht NEO 230 Guss	1
2	178397	Top mount additional weight NEO 230	1
3	177767	Bottom mount additional weight NEO 230	1
4	075478	Nut M6 DIN 508	4
5	014727	Cylinder head screw M 6x14 DIN 912	4
6	014859	Schnorr washer M6	4
7	178918	Three star screw M10x 20 cpl.	1
8	178986	Additional weight NEO 230 set	1



5 NEO 230 (0612/2018 - 0666/2018)

Item no.	Article no.	Description
1	05_01_074650	Motor
2	05_02_074650	Handle + Carriage
3	01_03_074650	Circuit Diagram
4	01_04_075915	Tool kit #075915
5	01_05_074650	Accessories
6	01_06_178986	Additional weight

1 Motor



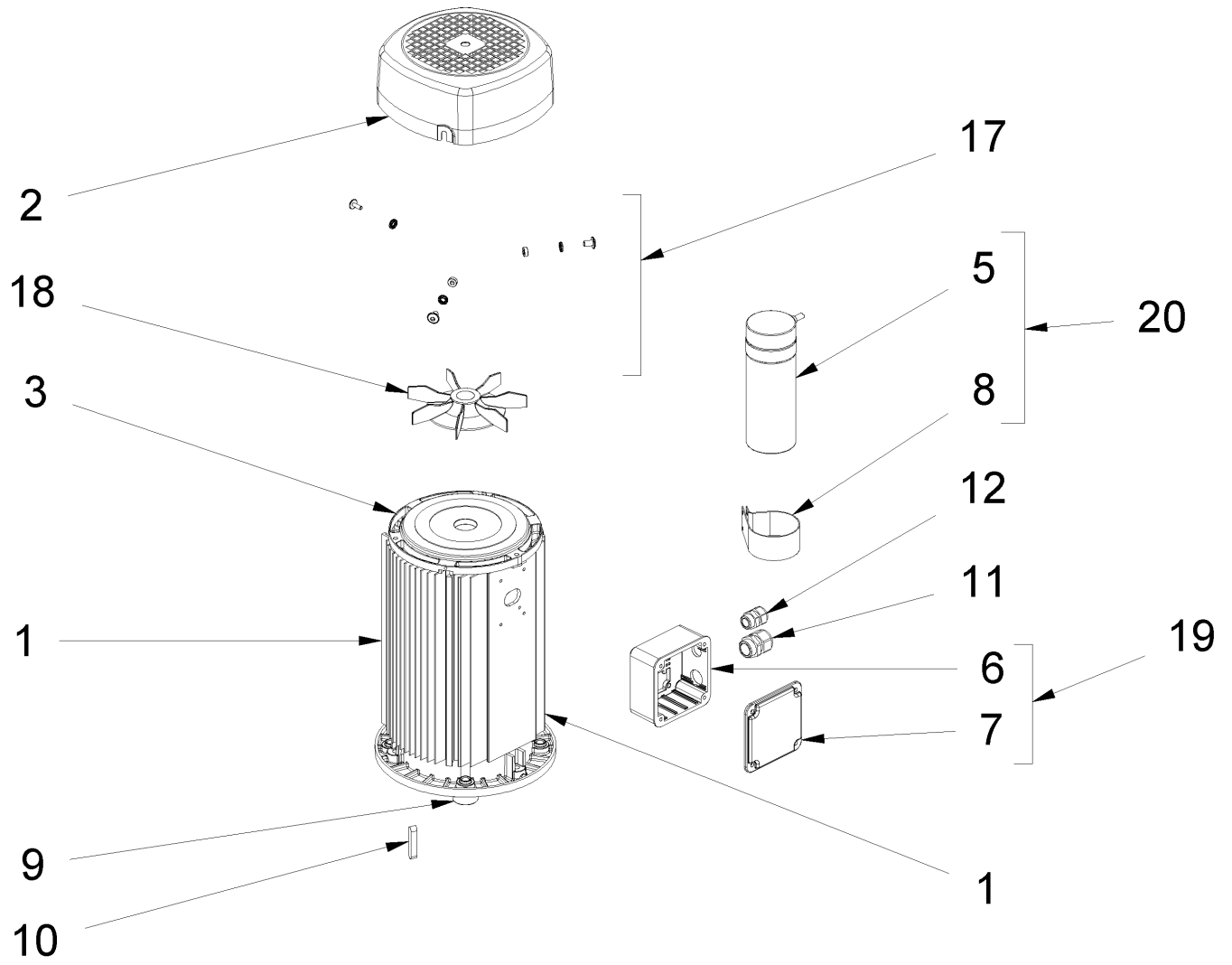
1 Motor

Item no.	Article no.	Description	Quantity
1	084792	Dust extraction hoseØ 50mm 830mmNEO 230	1
2	037953	Fixing pin	1
3	074634	Foldable handle NEO 230	1
4	018300	Cylinder head screw M10x30 DIN 912	1
5	075057	Brush short NEO 230	1
6	075058	Brush long NEO 230	1
8	017760	Spring washer 10 DIN 127 B	4
9	047796	Wing nut M6 plastic	2
10	039232	Three-star grip screw M10x30	1
11	074692	Supporting ring NEO 230	1
12	017552	Lens head screw M 6x16 ISO 7380	2
13	075060	Edge cover NEO 230	1
14	038567	Clamping lever GN300-92-M10-16-SW	1
15	060008	Coupling flange NEO SEE 165662	1
16	066796	Motor NEO 230 2 KW EMG	1
17	074680	SG Flange NEO 230	1
18	083232	Flap NEO high230	1
19	083233	Dust seal ring high NEO 230	1
20	042689	Rubber coupling for drive Neo 230/Omega	1
22	018301	Cylinder head screw M10x20 DIN 912	4
23	060010	Lens screw M10x55 ISO 7380	4
24	014861	Washer M10	5
25	075478	Nut M6 DIN 508	2
26	017724	Washer DIN 9021 6,4x18x1,6	2
27	014727	Cylinder head screw M 6x14 DIN 912	2
28	014859	Schnorr washer M6	6
29	017554	Lens head screw M 6x 8	6
30	082549	Snip&Snap Ral 9005 black	8
31	051207	Disk admission for segments Alpha	1
32	079872	safety washer M10 LL	2
33	014811	Hexagon nut M 10 DIN 934	2
34	080943	Segment holder NEO 230	4
35	016994	Counter sunk screw M8x16 DIN 7991 10.9	12
36	081698	Longitudinal Dragonfly NEO 230/400	1

1 Motor

Item no.	Article no.	Description	Quantity
37	081714	Cylinder head screw M 4X6 DIN 912	2
38	016961	Snorr washer M4	2
41	034216	Safety washer M16	1
42	013339	End piece, Ø50mm T-Rex	1
43	087313	Brush set NEO 230	1

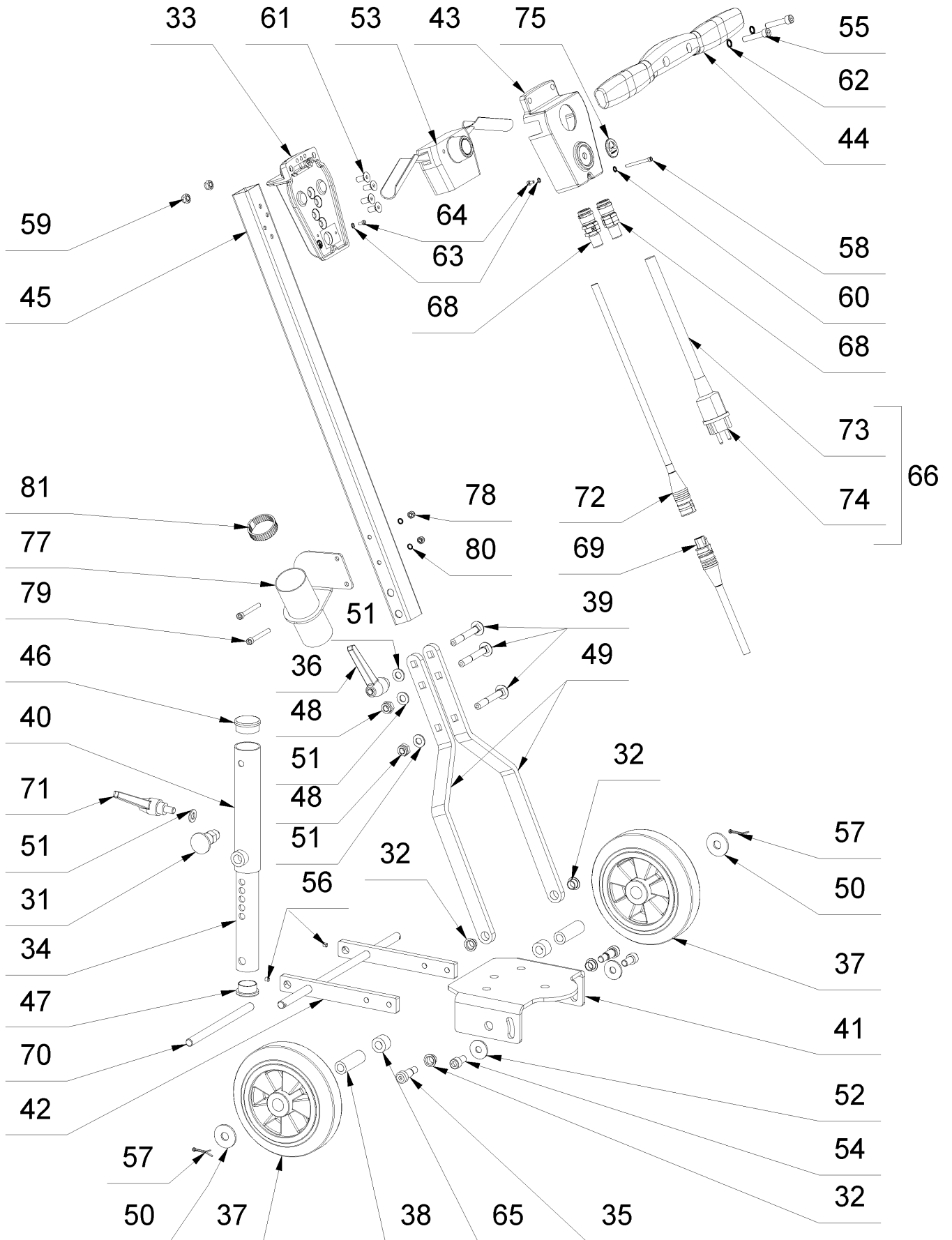
16 Motor NEO 230 2 KW EMG



16 Motor NEO 230 2 KW EMG

Item no.	Article no.	Description	Quantity
1		Housing	1
2	053225	Fan cover f.motor 230V Alpha/CT200	1
3	069825	Bearing plate CT200/Alpha	1
4	066914	Bearing plate CT200/Alpha	1
5	034028	Condenser 50mF EMG 2KW SEE 176683	1
6		Terminal cover	1
7		Terminal box cover	1
8	053304	capacitor bracket Ø60	1
9		Motor shaft	1
10	039457	Feather key 8x7x40 DIN 6885	1
11	051948	Cable gland M20x1.5	1
12	068199	Cable gland M16x1.5	1
17	071896	Screw kit f. fan cover Alpha/NEO	1
18	082116	Fan wheel NEO 230	1
19	081013	Terminal box w.cover NEO 230	1

2 Handle + Carriage



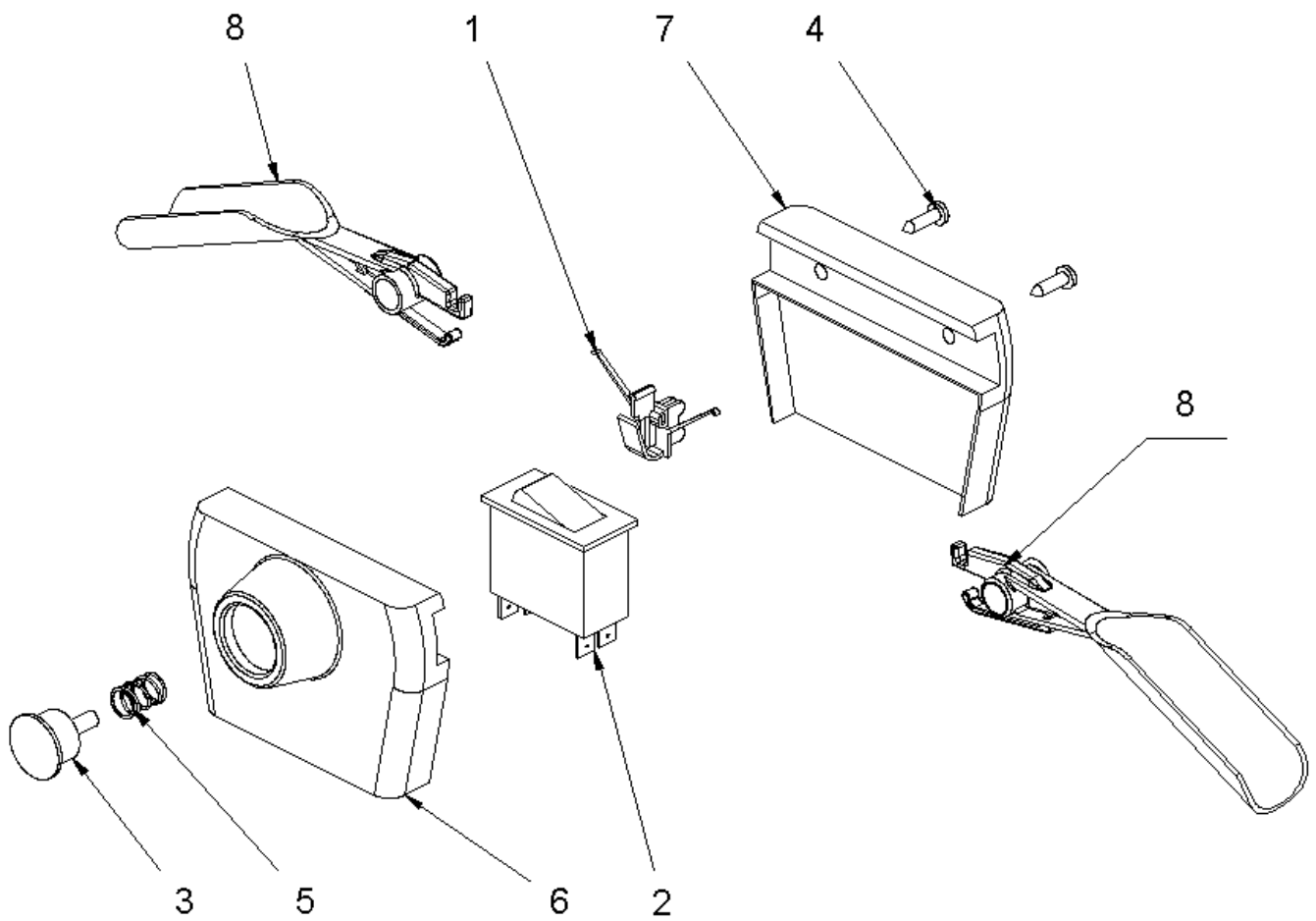
2 Handle + Carriage

Item no.	Article no.	Description	Quantity
31	037953	Fixing pin	1
32	019090	Bushing BB 1209 DU	4
33	074686	Base support handle NEO 230	1
34	074652	Inner tube NEO 230	1
35	074694	Screw M10x20 DIN 7379	2
36	042473	Clamping lever GN300-78-M10-SW	1
37	014645	Wheel Mambo+carriage pressure roll	2
38	017922	Wheel hub Mambo	2
39	074695	Flat round screw M10X75 DIN 603	3
40	074646	SG Outside pipe NEO 230	1
41	074655	SG Chassis NEO 230	1
42	074677	SG Fahrwerk NEO 230	1
43	074687	Switch housing NEO 230	1
44	015421	Foam handle SEE 86091 long/86092 short	1
45	074653	Handle NEO 230	1
46	074561	Stopper d40,0x1-3 black	1
47	074559	Stopper d35,0x3-5 black	1
48	014817	Hexagon nut M10 DIN 985	2
49	074648	Truss handle NEO 230	2
50	017637	Washer 13x37x3 DIN 9021	2
51	014829	Washer M10 DIN 125 A	4
52	018236	Washer 10.5 DIN 9021	2
53	015000	Two-hand switch 20A	1
54	018301	Cylinder head screw M10x20 DIN 912	2
55	014738	Cylinder head screw M 8x40 DIN 912	2
56	017531	Headless pin M6x6 DIN 913	2
57	018806	Split pin 3,2x25 DIN 94	2
58	017684	Cylinder head screw M4x45 DIN 912	1
59	014816	Hexagon nut M8 DIN 985	2
60	016961	Snorr washer M4	1
61	014759	Countersunk screw M8x18 DIN 7991 10.9	4
62	014860	Schnorr Washer M8	2
63	017663	Tooth lock washer 4.3 Form A DIN 6797	2
64	017473	Cylinder head screw M4x8 DIN 84 brass	2

2 Handle + Carriage

Item no.	Article no.	Description	Quantity
65	075487	Spacer 24x12,6x16 PA black	2
66	014975	Electrical cord3G1,5X0,4m black Schukost	1
68	085448	Cable glandSR-M 20x1,5/KB9-11mm	2
69	081194	Motor cable w.plug NEO 230	1
70	074676	Axle short Running gear NEO 230	1
71	038567	Clamping lever GN300-92-M10-16-SW	1
72	081193	Motor cable w.clutch NEO 230	1
73	051437	El.cord 3G2,5x10m black without plug	1
74	039203	Plug grey	1
74	079056	Plug 3-pol. 230V DK	1
75	125896	Label Wolff 3D Ø30mm	1
77	084728	Suction nozzle NEO 230	1
78	014815	Hexagon nut M6 DIN985	2
79	018261	Cylinder head screw M6x55 DIN 912	2
80	014859	Schnorr washer M6	2
81	013445	Hose clamp, 40-60mm	1

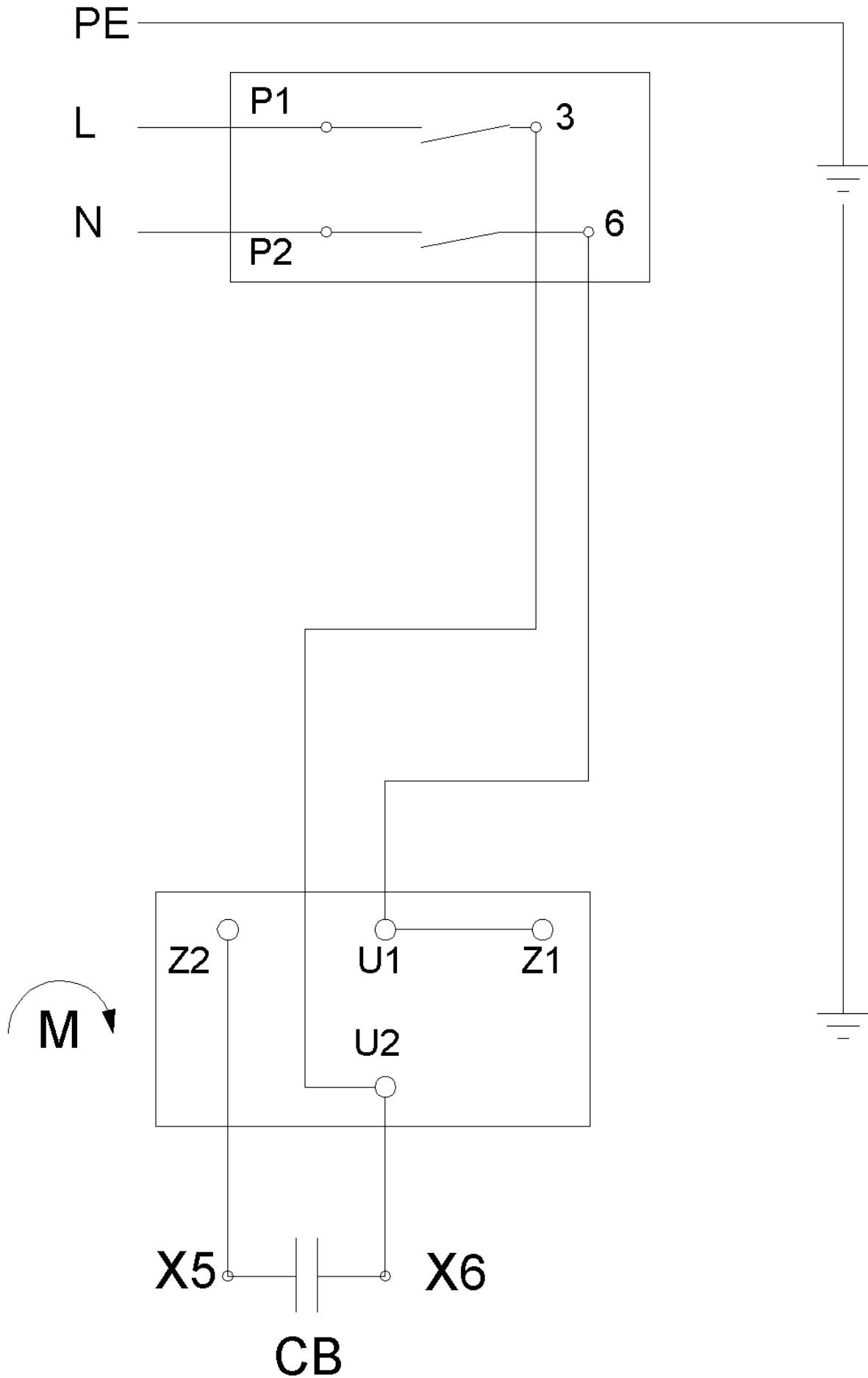
53 Two-hand switch 20A



53 Two-hand switch 20A

Item no.	Article no.	Description	Quantity
1	017449	Switch mechanics for two hand switch	1
2	019538	Switch 20A Mambo	1
3	019539	Push button Mambo	1
4	019540	Pan-head tapping screw 4.2x16 DIN 7981 C	2
5	019541	Pressure spring 11x15x1	1
6	019547	Housing f.2hand switch Mambo	1
7	019548	cover for Two-hand switch Mambo	1
8	019549	Shift handle for two-hand switch Mambo	2

3 Circuit Diagram



3 Circuit Diagram

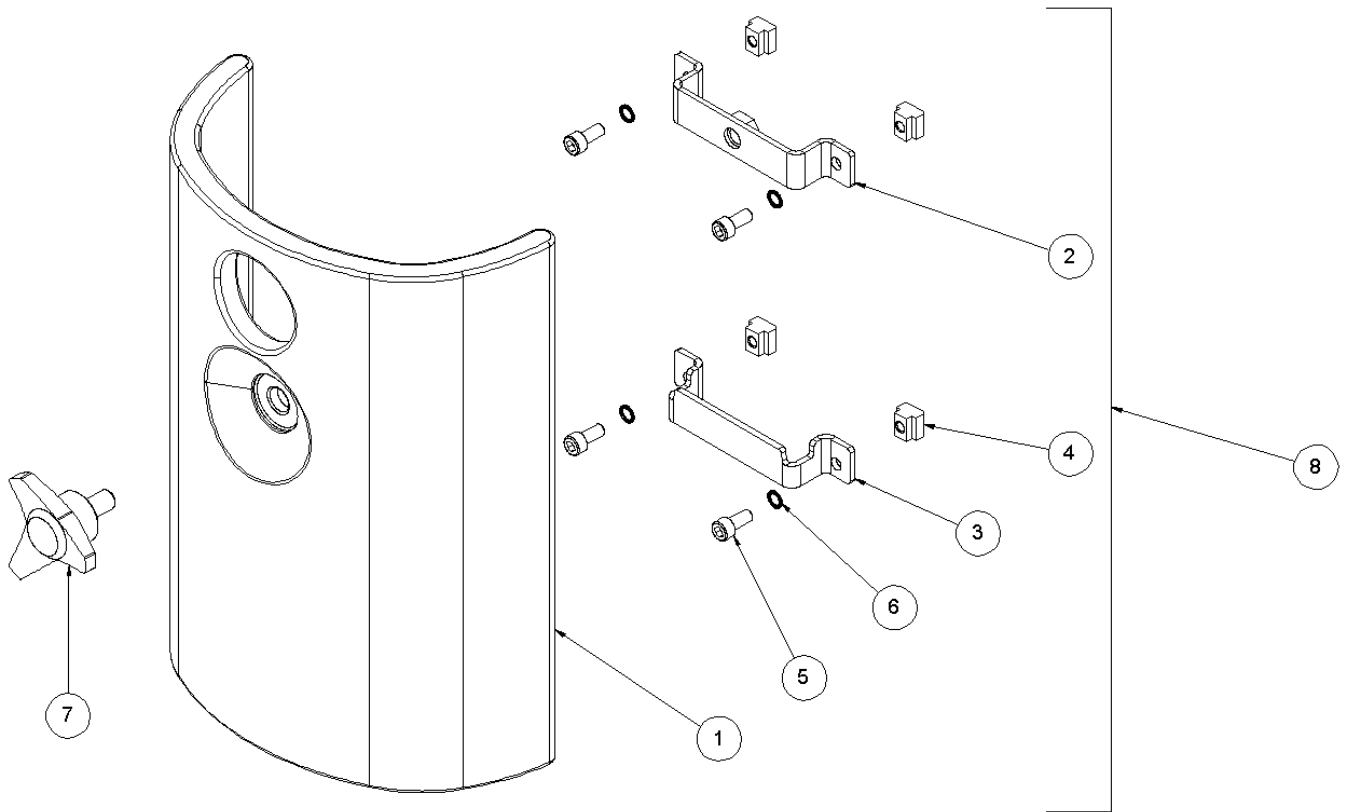
4 Tool kit #075915

Item no.	Article no.	Description	Quantity
1	054064	Tool bag green - Wolff	1
2	015315	Hearing protectors	1
3	015316	Protective goggles	1

5 Accessories

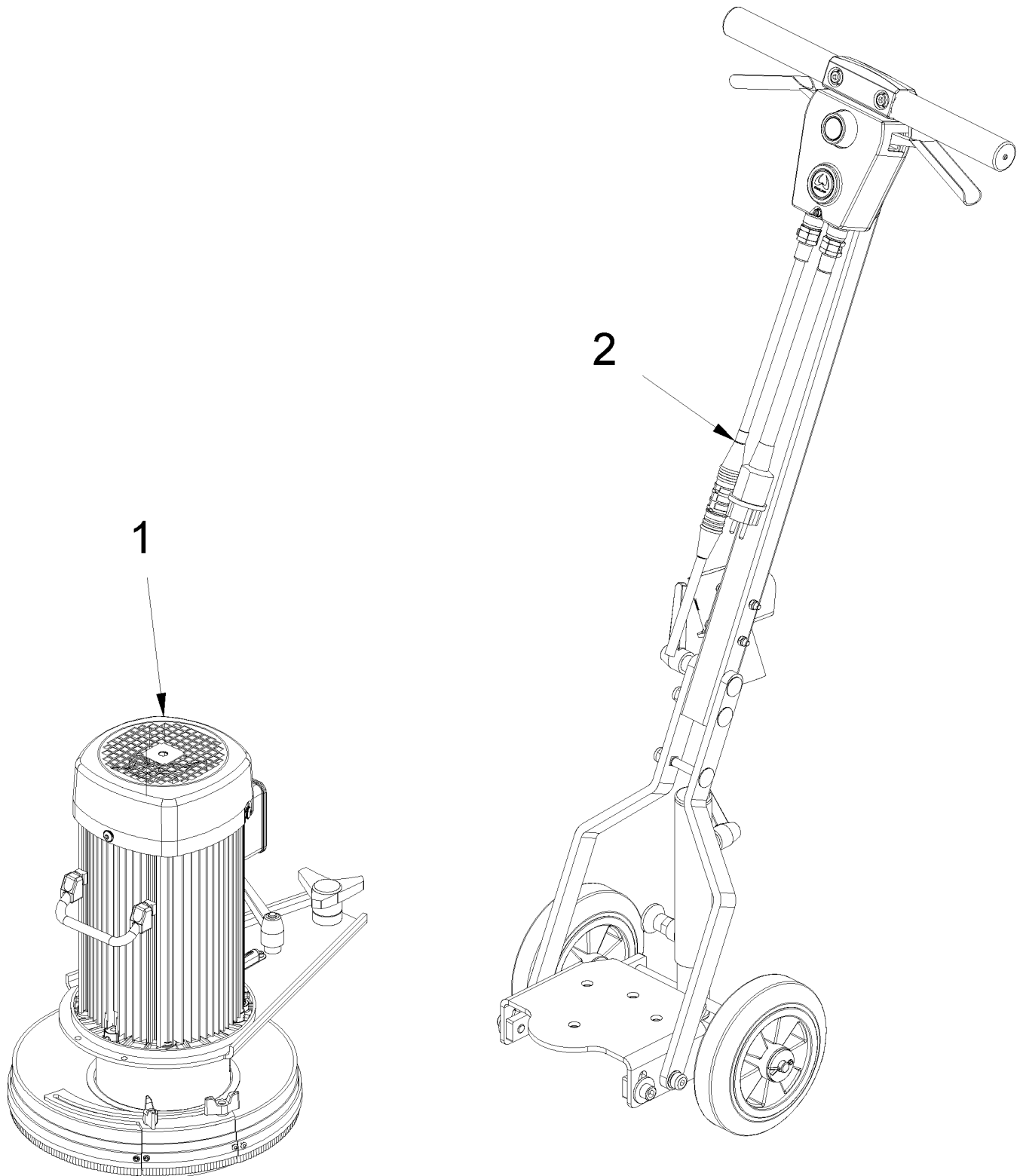
Item no.	Article no.	Description	Quantity
4	070900	Hexagonal screw key SW8 DIN 911L	1
7	038921	Suction nozzle f. Vacu-+Comp.clean+Mambo	1
8	013339	End piece, Ø50mm T-Rex	1

6 Additional weight



6 Additional weight

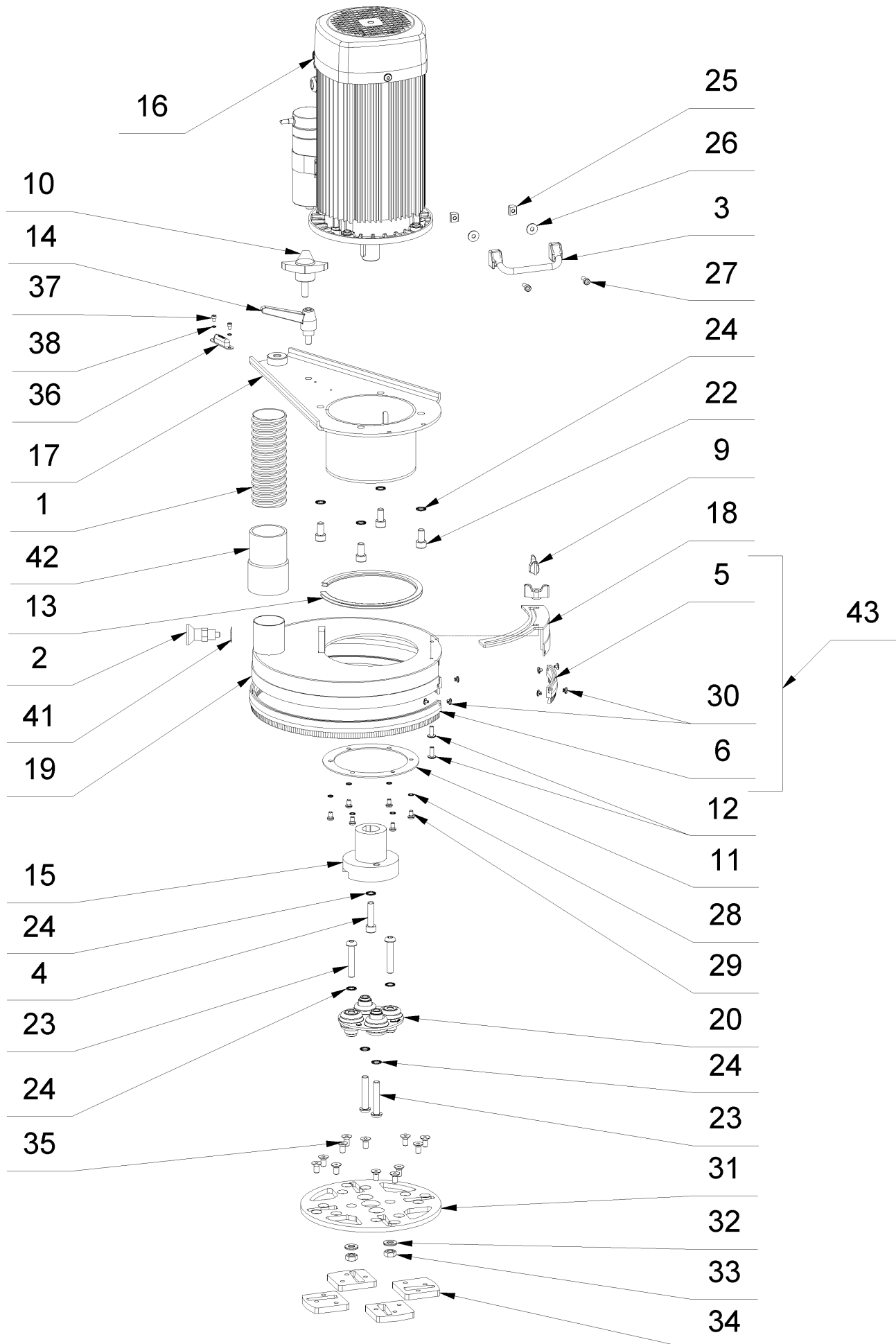
Item no.	Article no.	Description	Quantity
1	176998	Zusatzgewicht NEO 230 Guss	1
2	178397	Top mount additional weight NEO 230	1
3	177767	Bottom mount additional weight NEO 230	1
4	075478	Nut M6 DIN 508	4
5	014727	Cylinder head screw M 6x14 DIN 912	4
6	014859	Schnorr washer M6	4
7	178918	Three star screw M10x 20 cpl.	1
8	178986	Additional weight NEO 230 set	1



6 NEO 230 (0667/2018 - 1222/2020)

Item no.	Article no.	Description
1	05_01_074650	Motor
2	06_02_074650	Handle + Carriage
3	01_03_074650	Circuit Diagram
4	01_04_075915	Tool kit #075915
5	01_05_074650	Accessories
6	01_06_178986	Additional weight

1 Motor



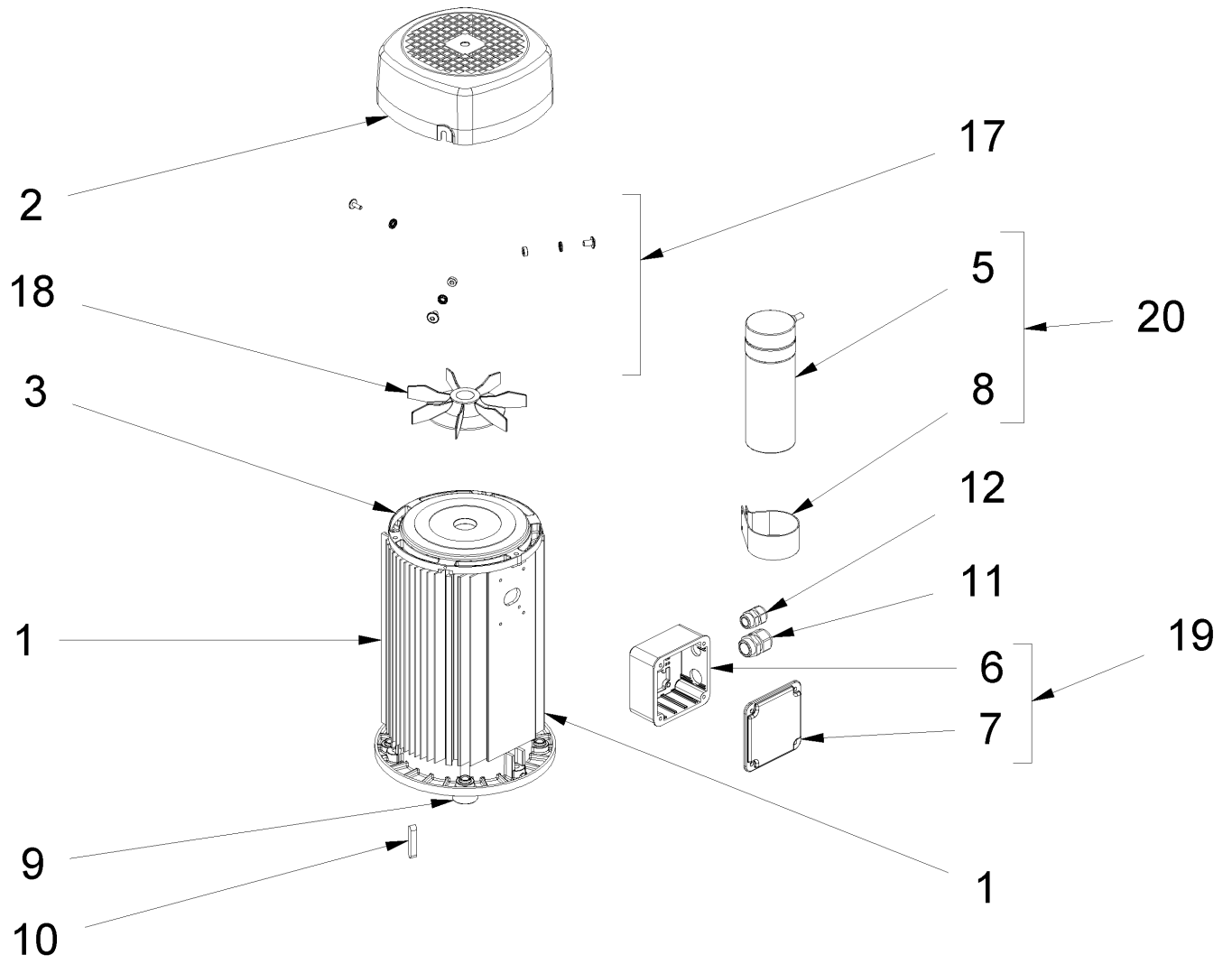
1 Motor

Item no.	Article no.	Description	Quantity
1	084792	Dust extraction hoseØ 50mm 830mmNEO 230	1
2	037953	Fixing pin	1
3	074634	Foldable handle NEO 230	1
4	018300	Cylinder head screw M10x30 DIN 912	1
5	075057	Brush short NEO 230	1
6	075058	Brush long NEO 230	1
9	047796	Wing nut M6 plastic	2
10	039232	Three-star grip screw M10x30	1
11	074692	Supporting ring NEO 230	1
12	017552	Lens head screw M 6x16 ISO 7380	2
13	075060	Edge cover NEO 230	1
14	038567	Clamping lever GN300-92-M10-16-SW	1
15	060008	Coupling flange NEO SEE 165662	1
16	066796	Motor NEO 230 2 KW EMG	1
17	074680	SG Flange NEO 230	1
18	083232	Flap NEO high230	1
19	083233	Dust seal ring high NEO 230	1
20	042689	Rubber coupling for drive Neo 230/Omega	1
22	018301	Cylinder head screw M10x20 DIN 912	4
23	060010	Lens screw M10x55 ISO 7380	4
24	014861	Washer M10	9
25	075478	Nut M6 DIN 508	2
26	017724	Washer DIN 9021 6,4x18x1,6	2
27	014727	Cylinder head screw M 6x14 DIN 912	2
28	014859	Schnorr washer M6	6
29	017554	Lens head screw M 6x 8	6
30	082549	Snip&Snap Ral 9005 black	8
31	051207	Disk admission for segments Alpha	1
32	079872	safety washer M10 LL	2
33	014811	Hexagon nut M 10 DIN 934	2
34	080943	Segment holder NEO 230	4
35	016994	Counter sunk screw M8x16 DIN 7991 10.9	12
36	081698	Longitudinal Dragonfly NEO 230/400	1
37	081714	Cylinder head screw M 4X6 DIN 912	2

1 Motor

Item no.	Article no.	Description	Quantity
38	016961	Snorr washer M4	2
41	034216	Safety washer M16	1
42	013339	End piece, Ø50mm T-Rex	1
43	087313	Brush set NEO 230	1

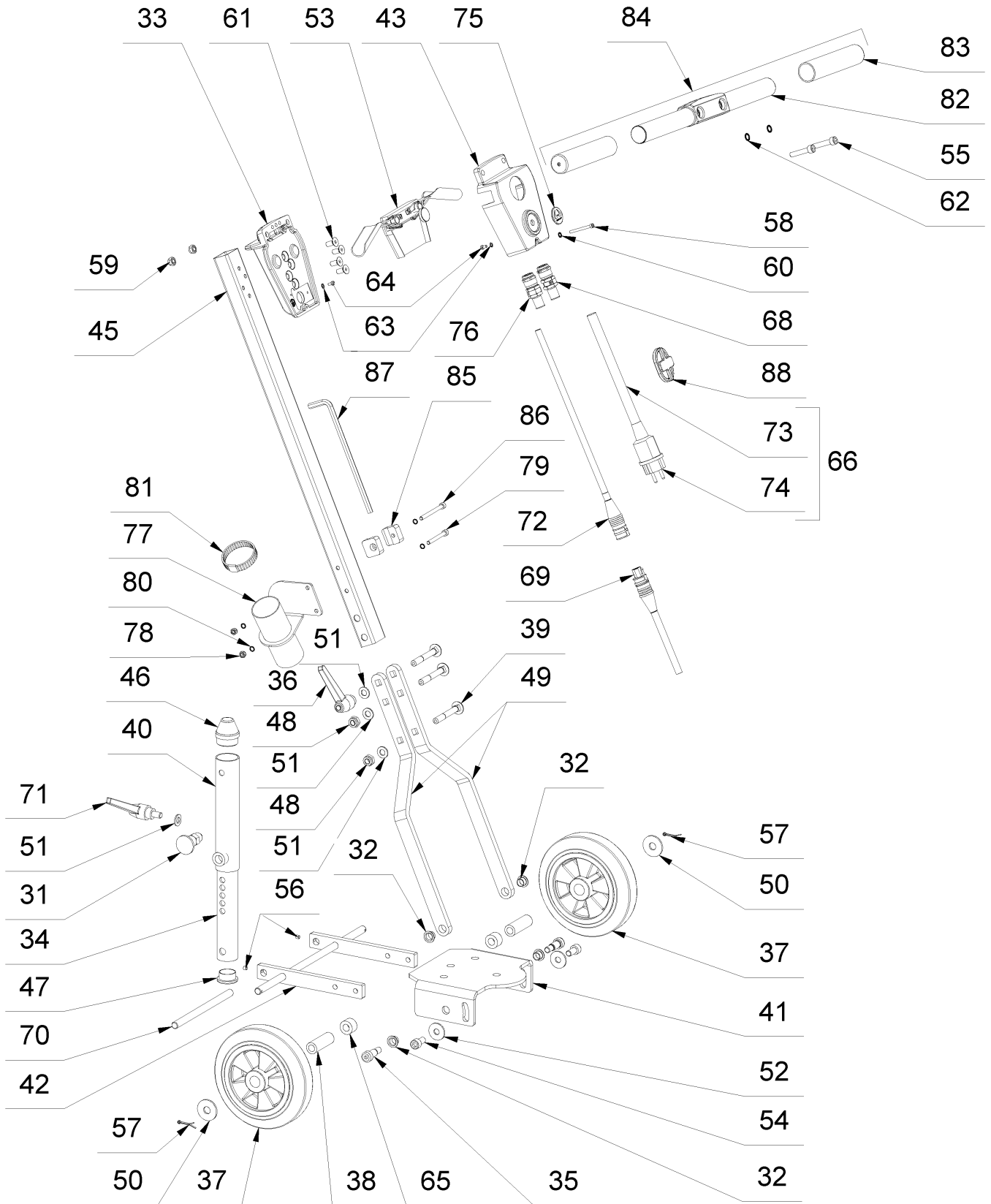
16 Motor NEO 230 2 KW EMG



16 Motor NEO 230 2 KW EMG

Item no.	Article no.	Description	Quantity
1		Housing	1
2	053225	Fan cover f.motor 230V Alpha/CT200	1
3	069825	Bearing plate CT200/Alpha	1
4	066914	Bearing plate CT200/Alpha	1
5	034028	Condenser 50mF EMG 2KW SEE 176683	1
6		Terminal cover	1
7		Terminal box cover	1
8	053304	capacitor bracket Ø60	1
9		Motor shaft	1
10	039457	Feather key 8x7x40 DIN 6885	1
11	051948	Cable gland M20x1.5	1
12	068199	Cable gland M16x1.5	1
17	071896	Screw kit f. fan cover Alpha/NEO	1
18	082116	Fan wheel NEO 230	1
19	081013	Terminal box w.cover NEO 230	1

2 Handle + Carriage



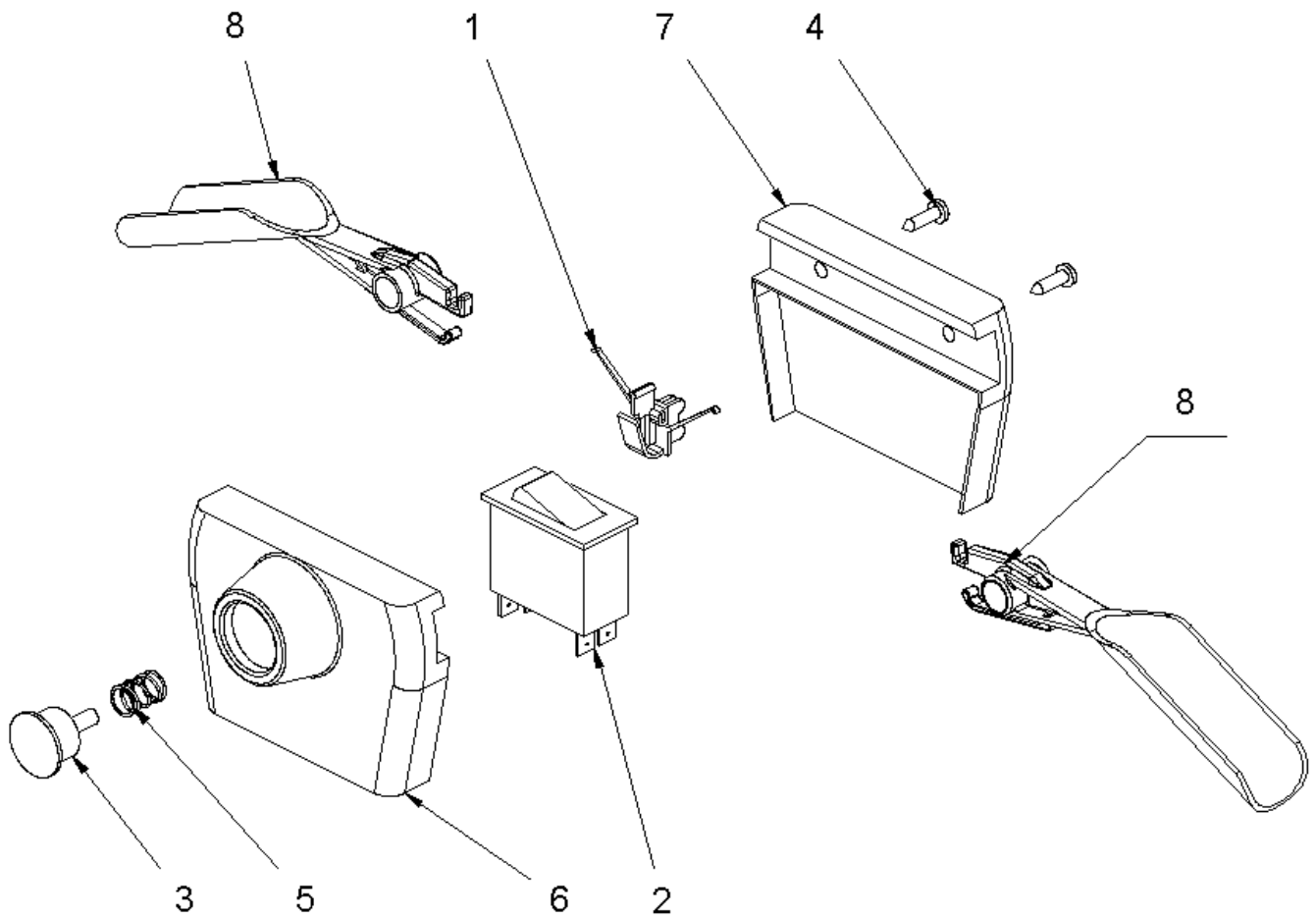
2 Handle + Carriage

Item no.	Article no.	Description	Quantity
31	037953	Fixing pin	1
32	019090	Bushing BB 1209 DU	4
33	074686	Base support handle NEO 230	1
34	074652	Inner tube NEO 230	1
35	074694	Screw M10x20 DIN 7379	2
36	042473	Clamping lever GN300-78-M10-SW	1
37	014645	Wheel Mambo+carriage pressure roll	2
38	017922	Wheel hub Mambo	2
39	074695	Flat round screw M10X75 DIN 603	3
40	074646	SG Outside pipe NEO 230	1
41	074655	SG Chassis NEO 230	1
42	074677	SG Fahrwerk NEO 230	1
43	074687	Switch housing NEO 230	1
45	074653	Handle NEO 230	1
46	086146	Support buffer	1
47	074559	Stopper d35,0x3-5 black	1
48	014817	Hexagon nut M10 DIN 985	2
49	074648	Truss handle NEO 230	2
50	017637	Washer 13x37x3 DIN 9021	2
51	014829	Washer M10 DIN 125 A	4
52	018236	Washer 10.5 DIN 9021	2
53	015000	Two-hand switch 20A	1
54	018301	Cylinder head screw M10x20 DIN 912	2
55	014738	Cylinder head screw M 8x40 DIN 912	2
56	017531	Headless pin M6x6 DIN 913	2
57	018806	Split pin 3,2x25 DIN 94	2
58	017684	Cylinder head screw M4x45 DIN 912	1
59	014816	Hexagon nut M8 DIN 985	2
60	016961	Snorr washer M4	1
61	014759	Countersunk screw M8x18 DIN 7991 10.9	4
62	014860	Schnorr Washer M8	2
63	017663	Tooth lock washer 4.3 Form A DIN 6797	2
64	017473	Cylinder head screw M4x8 DIN 84 brass	2
65	075487	Spacer 24x12,6x16 PA black	2

2 Handle + Carriage

Item no.	Article no.	Description	Quantity
66	014975	Electrical cord 3G1,5X0,4m black Schukost	1
68	085448	Cable gland SR-M 20x1,5/KB9-11mm	1
69	081194	Motor cable w.plug NEO 230	1
70	074676	Axle short Running gear NEO 230	1
71	038567	Clamping lever GN300-92-M10-16-SW	1
72	081193	Motor cable w.clutch NEO 230	1
75	125896	Label Wolff 3D Ø30mm	1
76	084796	Cable gland SR-M 20x1,5KB11-13mm	1
77	084728	Suction nozzle NEO 230	1
78	014815	Hexagon nut M6 DIN985	2
79	018261	Cylinder head screw M6x55 DIN 912	1
80	014859	Schnorr washer M6	5
81	013445	Hose clamp, 40-60mm	1
82	086133	Handgrip round short Ø31 x 412 mm	1
83	086089	PVC-grip covering Ø30x155mm	2
84	086092	BG-handel round short	1
85	078734	Clamp for key SW 8	2
86	018257	Cylinder head screw M6x70 DIN 912	1
87	070900	Hexagonal screw key SW8 DIN 911L	1
88	067749	cable retention	1
o.Abb.	079067	Extension 3G1,5 ² cable DK	1

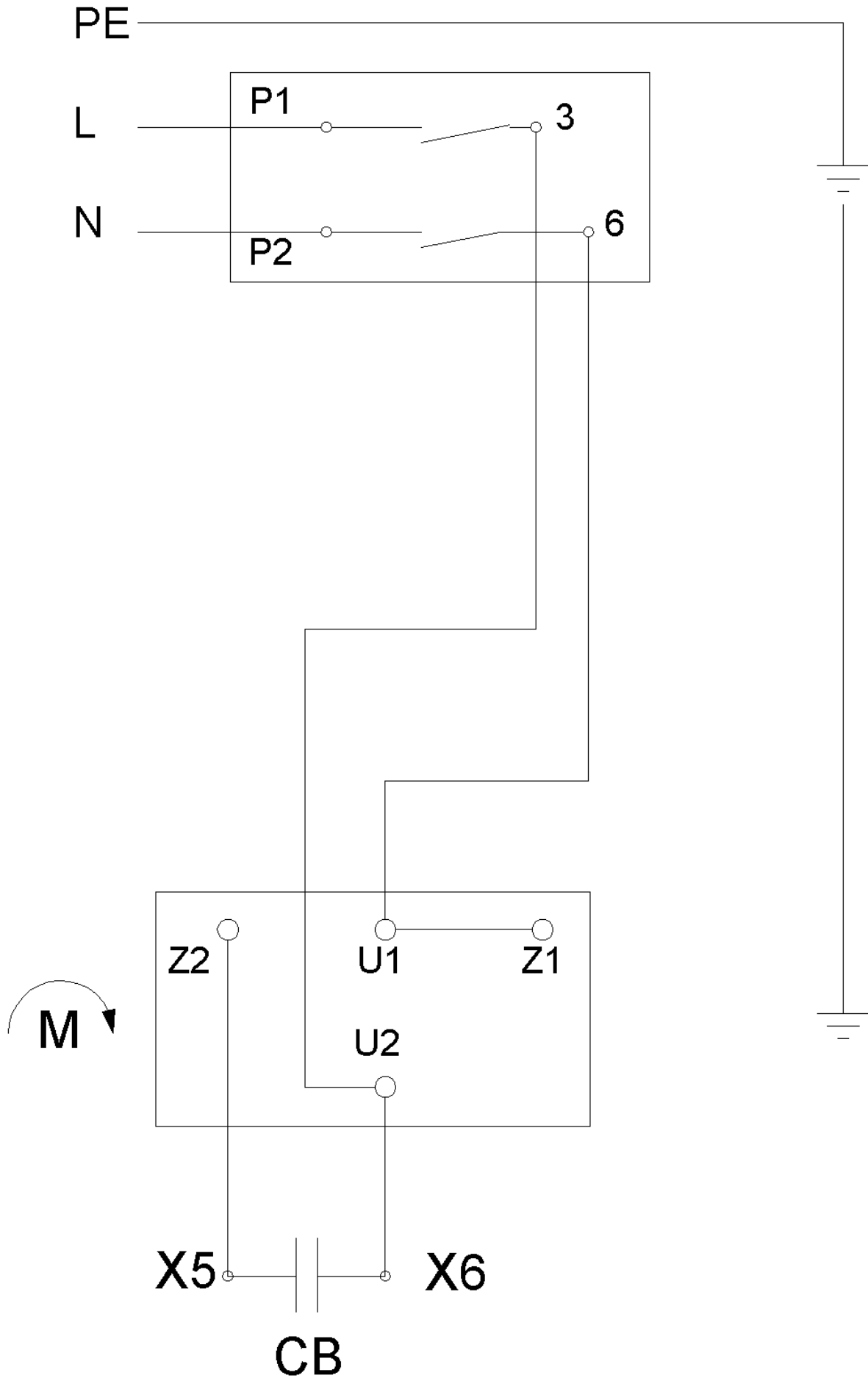
53 Two-hand switch 20A



53 Two-hand switch 20A

Item no.	Article no.	Description	Quantity
1	017449	Switch mechanics for two hand switch	1
2	019538	Switch 20A Mambo	1
3	019539	Push button Mambo	1
4	019540	Pan-head tapping screw 4.2x16 DIN 7981 C	2
5	019541	Pressure spring 11x15x1	1
6	019547	Housing f.2hand switch Mambo	1
7	019548	cover for Two-hand switch Mambo	1
8	019549	Shift handle for two-hand switch Mambo	2

3 Circuit Diagram



3 Circuit Diagram

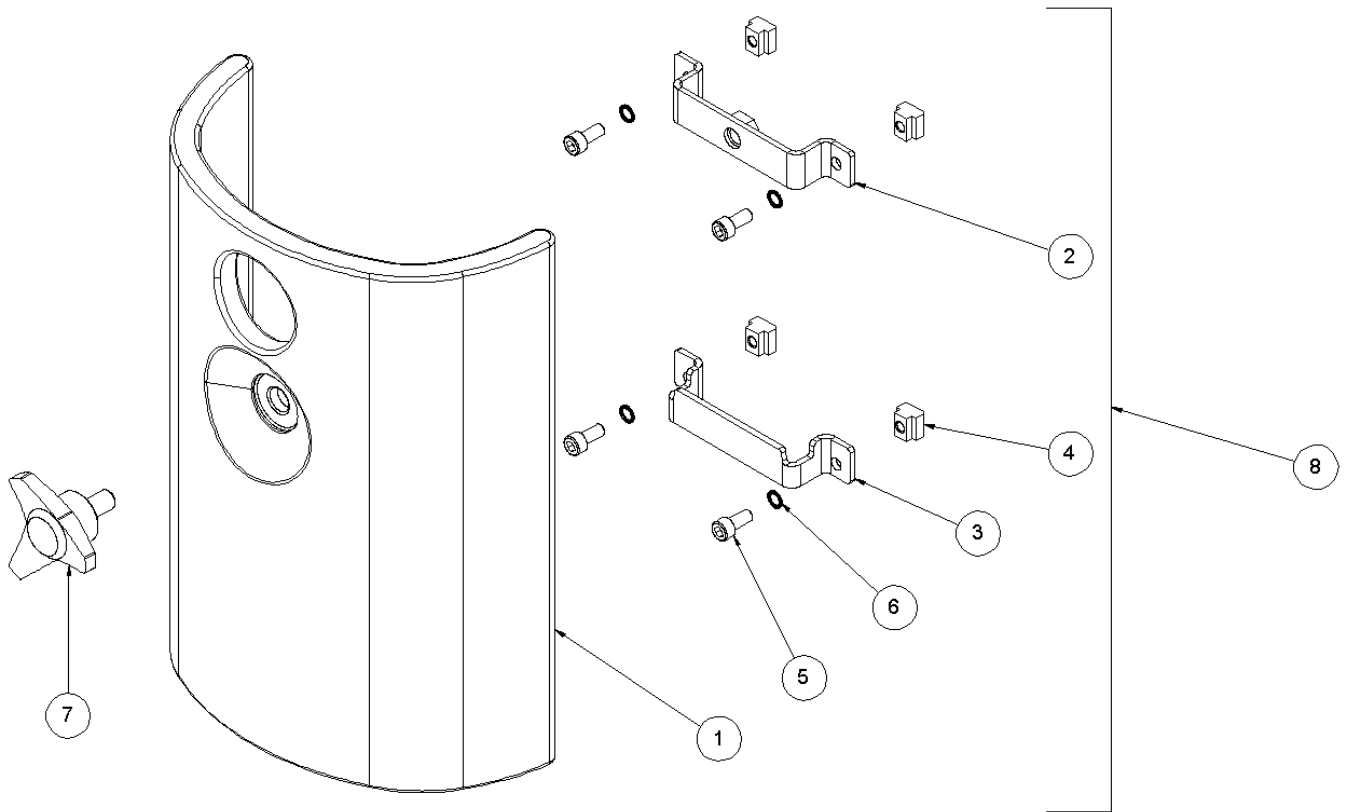
4 Tool kit #075915

Item no.	Article no.	Description	Quantity
1	054064	Tool bag green - Wolff	1
2	015315	Hearing protectors	1
3	015316	Protective goggles	1

5 Accessories

Item no.	Article no.	Description	Quantity
4	070900	Hexagonal screw key SW8 DIN 911L	1
7	038921	Suction nozzle f. Vacu-+Comp.clean+Mambo	1
8	013339	End piece, Ø50mm T-Rex	1

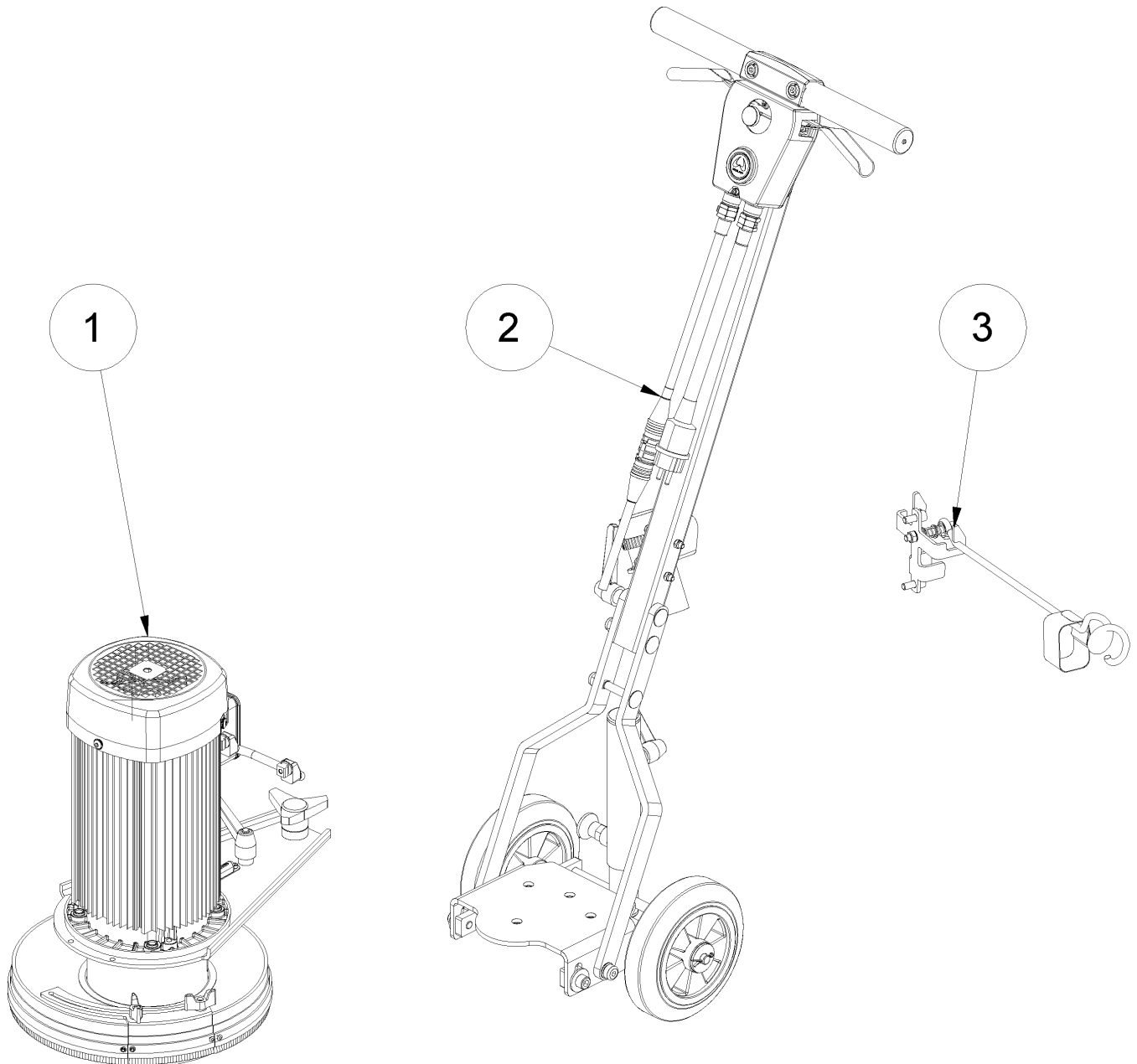
6 Additional weight



6 Additional weight

Item no.	Article no.	Description	Quantity
1	176998	Zusatzgewicht NEO 230 Guss	1
2	178397	Top mount additional weight NEO 230	1
3	177767	Bottom mount additional weight NEO 230	1
4	075478	Nut M6 DIN 508	4
5	014727	Cylinder head screw M 6x14 DIN 912	4
6	014859	Schnorr washer M6	4
7	178918	Three star screw M10x 20 cpl.	1
8	178986	Additional weight NEO 230 set	1

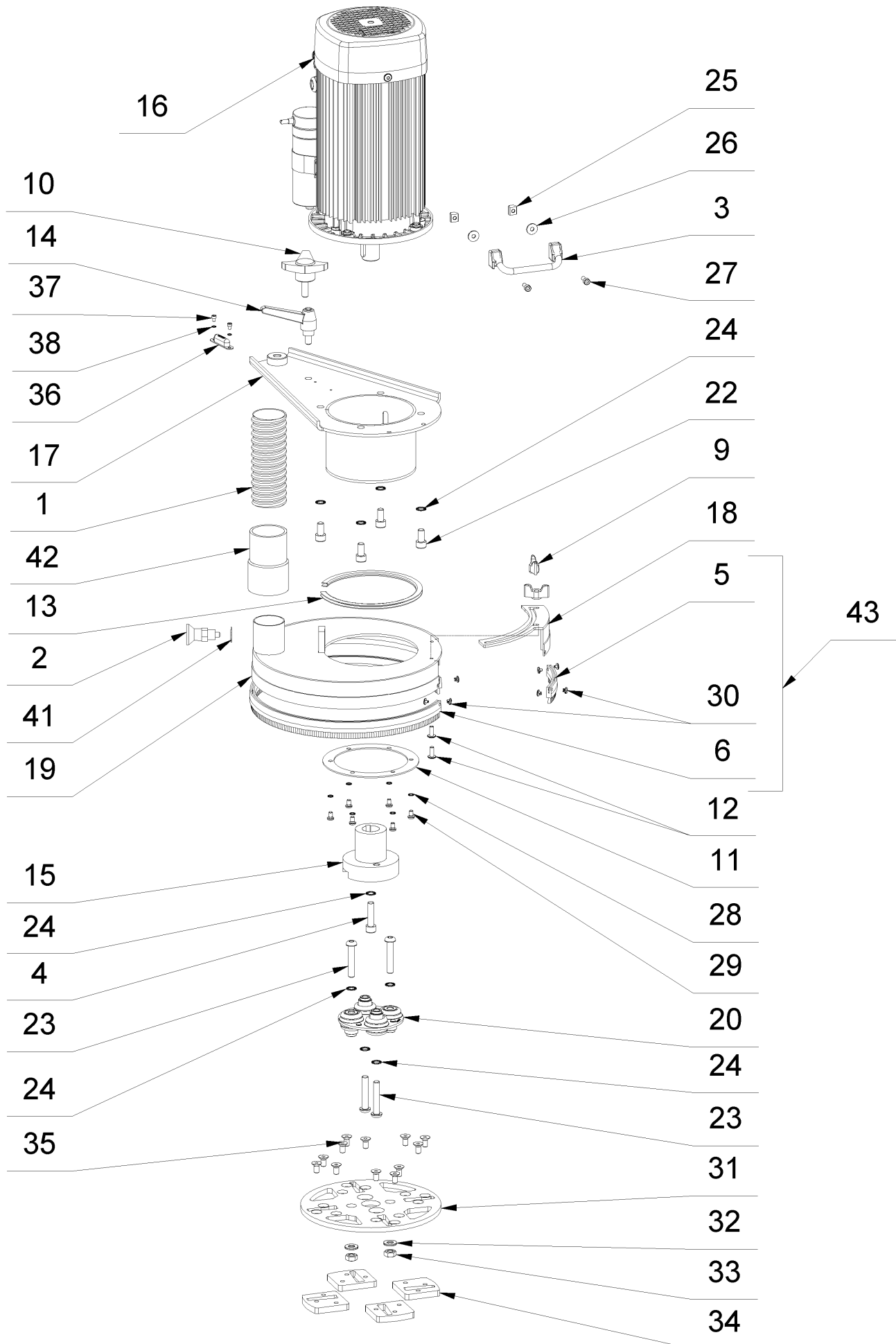
7 NEO 230 (1223/2020 - 1542/2021)



7 NEO 230 (1223/2020 - 1542/2021)

Item no.	Article no.	Description
1	05_01_074650	Motor
2	06_02_074650	Handle + Carriage
3	02_04_011858	Cable support
4	01_03_074650	Circuit Diagram
5	01_04_075915	Tool kit #075915
6	01_05_074650	Accessories
7	01_06_178986	Additional weight

1 Motor



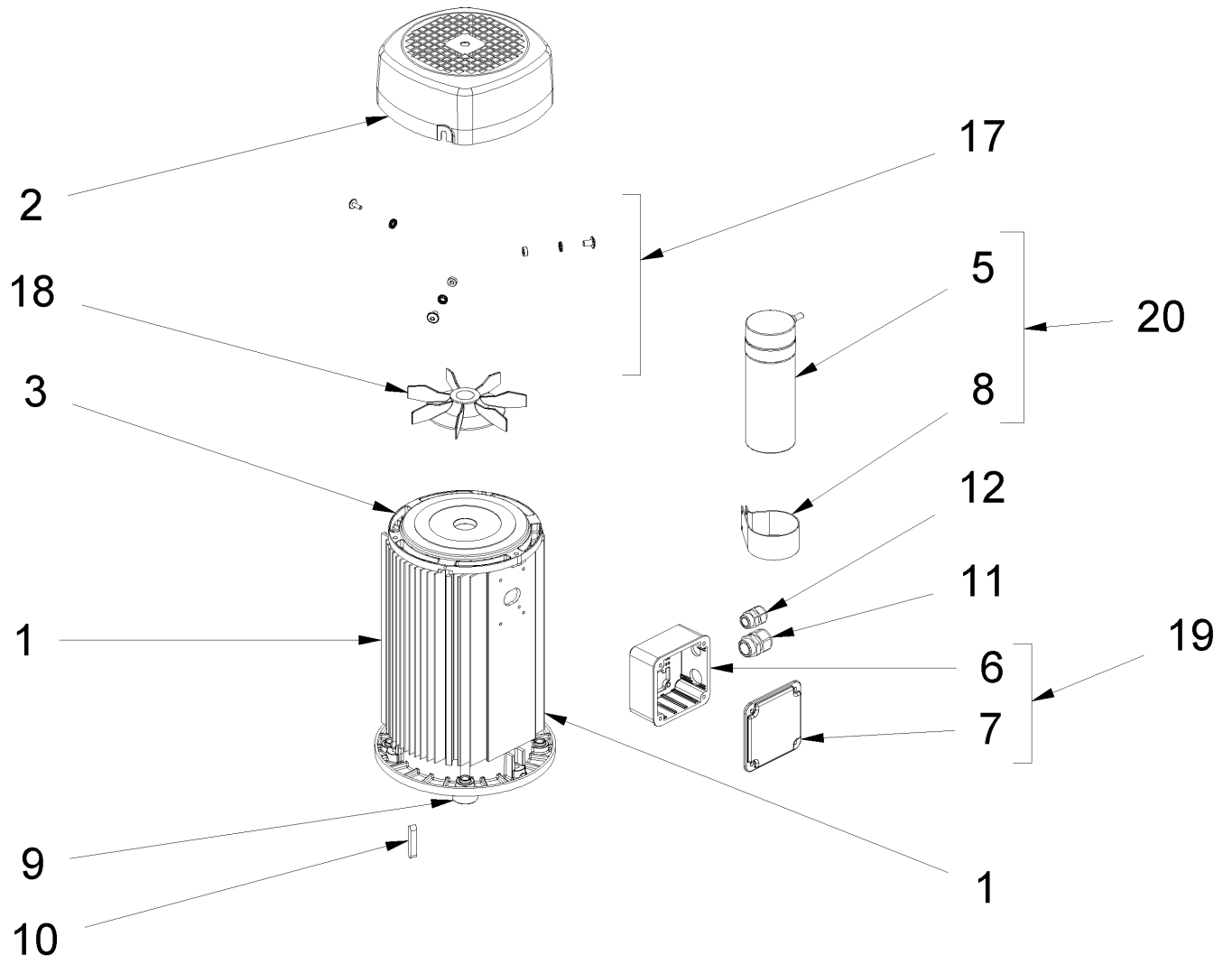
1 Motor

Item no.	Article no.	Description	Quantity
1	084792	Dust extraction hoseØ 50mm 830mmNEO 230	1
2	037953	Fixing pin	1
3	074634	Foldable handle NEO 230	1
4	018300	Cylinder head screw M10x30 DIN 912	1
5	075057	Brush short NEO 230	1
6	075058	Brush long NEO 230	1
9	047796	Wing nut M6 plastic	2
10	039232	Three-star grip screw M10x30	1
11	074692	Supporting ring NEO 230	1
12	017552	Lens head screw M 6x16 ISO 7380	2
13	075060	Edge cover NEO 230	1
14	038567	Clamping lever GN300-92-M10-16-SW	1
15	060008	Coupling flange NEO SEE 165662	1
16	066796	Motor NEO 230 2 KW EMG	1
17	074680	SG Flange NEO 230	1
18	083232	Flap NEO high230	1
19	083233	Dust seal ring high NEO 230	1
20	042689	Rubber coupling for drive Neo 230/Omega	1
22	018301	Cylinder head screw M10x20 DIN 912	4
23	060010	Lens screw M10x55 ISO 7380	4
24	014861	Washer M10	9
25	075478	Nut M6 DIN 508	2
26	017724	Washer DIN 9021 6,4x18x1,6	2
27	014727	Cylinder head screw M 6x14 DIN 912	2
28	014859	Schnorr washer M6	6
29	017554	Lens head screw M 6x 8	6
30	082549	Snip&Snap Ral 9005 black	8
31	051207	Disk admission for segments Alpha	1
32	079872	safety washer M10 LL	2
33	014811	Hexagon nut M 10 DIN 934	2
34	080943	Segment holder NEO 230	4
35	016994	Counter sunk screw M8x16 DIN 7991 10.9	12
36	081698	Longitudinal Dragonfly NEO 230/400	1
37	081714	Cylinder head screw M 4X6 DIN 912	2

1 Motor

Item no.	Article no.	Description	Quantity
38	016961	Snorr washer M4	2
41	034216	Safety washer M16	1
42	013339	End piece, Ø50mm T-Rex	1
43	087313	Brush set NEO 230	1

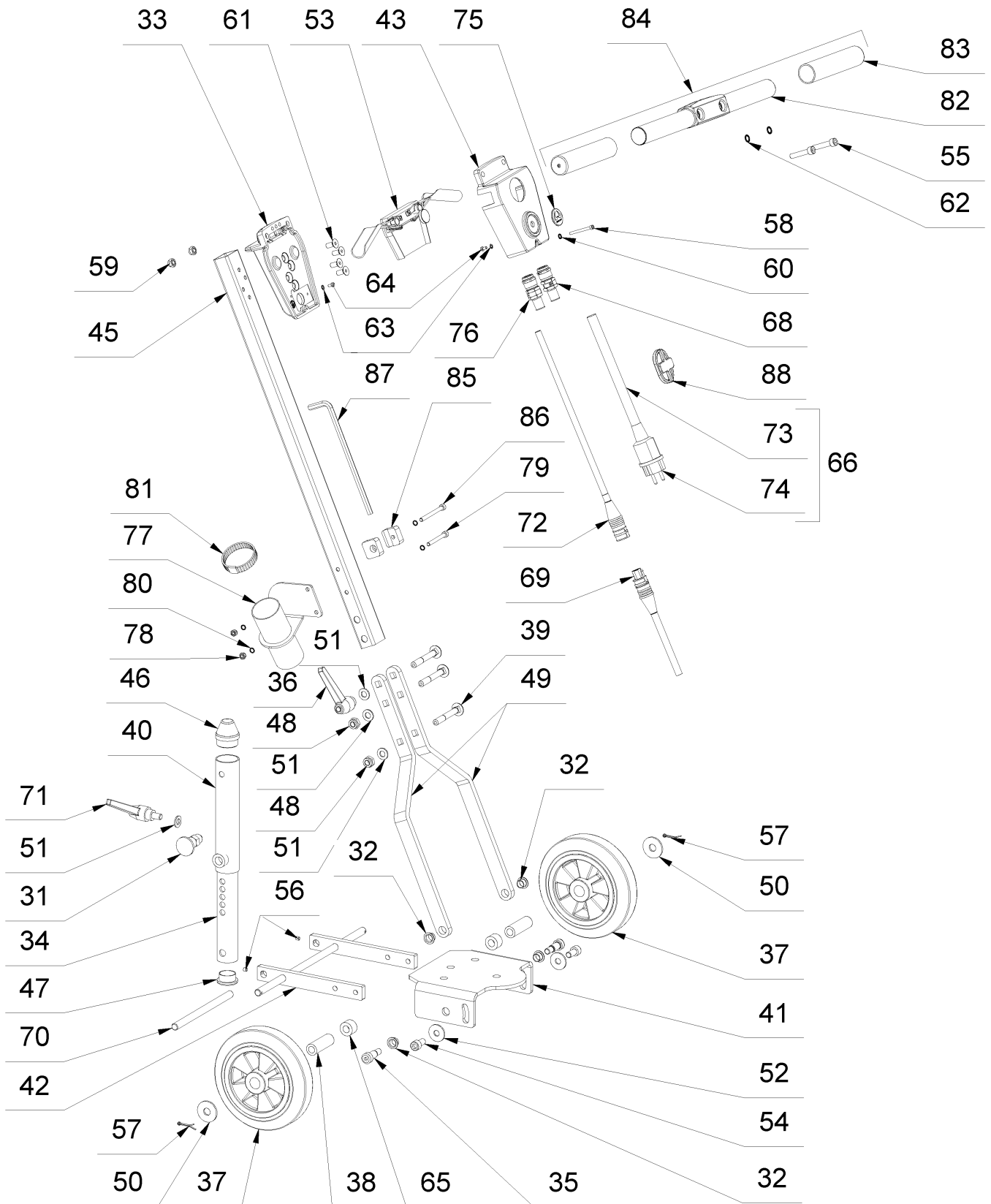
16 Motor NEO 230 2 KW EMG



16 Motor NEO 230 2 KW EMG

Item no.	Article no.	Description	Quantity
1		Housing	1
2	053225	Fan cover f.motor 230V Alpha/CT200	1
3	069825	Bearing plate CT200/Alpha	1
4	066914	Bearing plate CT200/Alpha	1
5	034028	Condenser 50mF EMG 2KW SEE 176683	1
6		Terminal cover	1
7		Terminal box cover	1
8	053304	capacitor bracket Ø60	1
9		Motor shaft	1
10	039457	Feather key 8x7x40 DIN 6885	1
11	051948	Cable gland M20x1.5	1
12	068199	Cable gland M16x1.5	1
17	071896	Screw kit f. fan cover Alpha/NEO	1
18	082116	Fan wheel NEO 230	1
19	081013	Terminal box w.cover NEO 230	1

2 Handle + Carriage



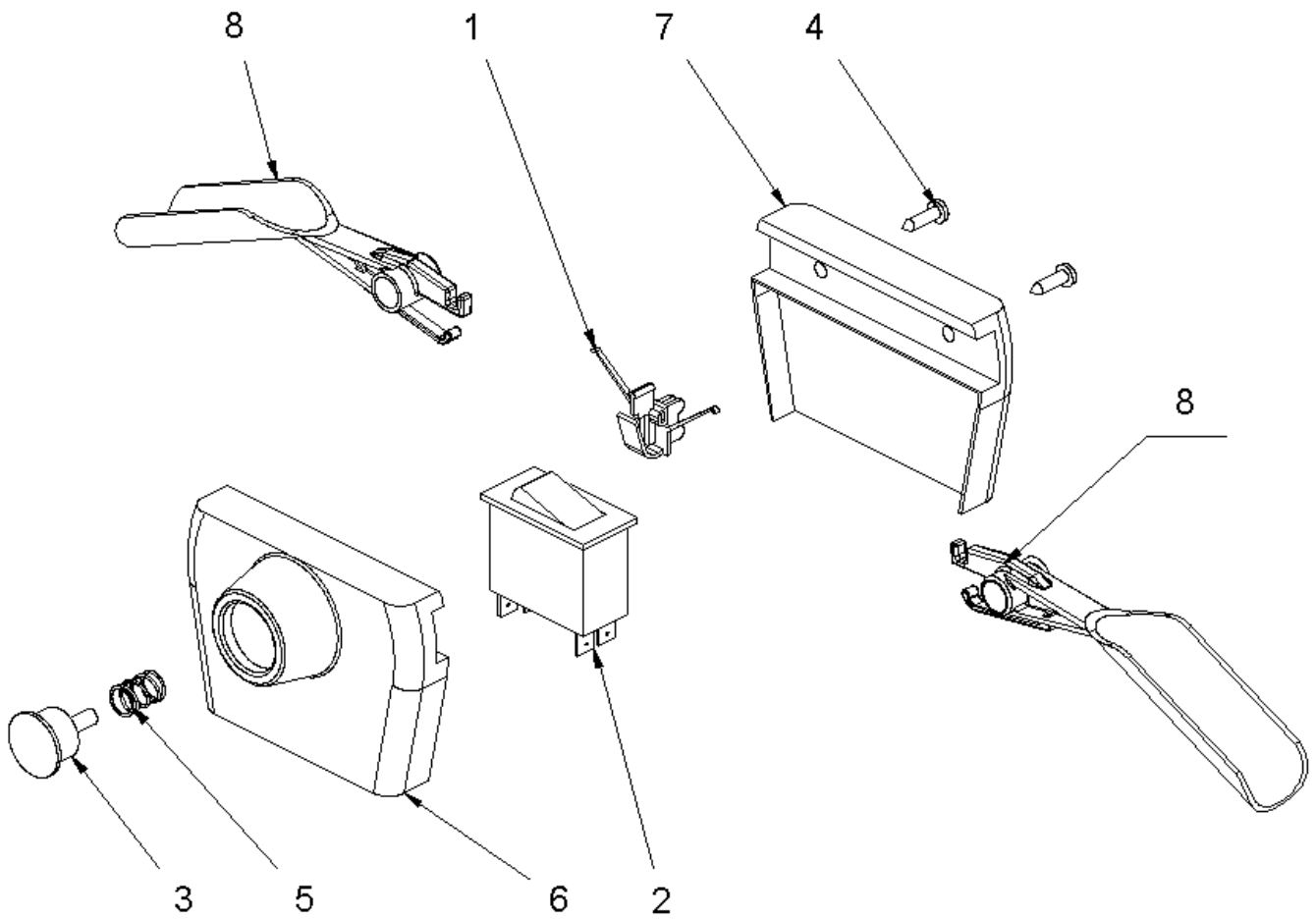
2 Handle + Carriage

Item no.	Article no.	Description	Quantity
31	037953	Fixing pin	1
32	019090	Bushing BB 1209 DU	4
33	074686	Base support handle NEO 230	1
34	074652	Inner tube NEO 230	1
35	074694	Screw M10x20 DIN 7379	2
36	042473	Clamping lever GN300-78-M10-SW	1
37	014645	Wheel Mambo+carriage pressure roll	2
38	017922	Wheel hub Mambo	2
39	074695	Flat round screw M10X75 DIN 603	3
40	074646	SG Outside pipe NEO 230	1
41	074655	SG Chassis NEO 230	1
42	074677	SG Fahrwerk NEO 230	1
43	074687	Switch housing NEO 230	1
45	074653	Handle NEO 230	1
46	086146	Support buffer	1
47	074559	Stopper d35,0x3-5 black	1
48	014817	Hexagon nut M10 DIN 985	2
49	074648	Truss handle NEO 230	2
50	017637	Washer 13x37x3 DIN 9021	2
51	014829	Washer M10 DIN 125 A	4
52	018236	Washer 10.5 DIN 9021	2
53	015000	Two-hand switch 20A	1
54	018301	Cylinder head screw M10x20 DIN 912	2
55	014738	Cylinder head screw M 8x40 DIN 912	2
56	017531	Headless pin M6x6 DIN 913	2
57	018806	Split pin 3,2x25 DIN 94	2
58	017684	Cylinder head screw M4x45 DIN 912	1
59	014816	Hexagon nut M8 DIN 985	2
60	016961	Snorr washer M4	1
61	014759	Countersunk screw M8x18 DIN 7991 10.9	4
62	014860	Schnorr Washer M8	2
63	017663	Tooth lock washer 4.3 Form A DIN 6797	2
64	017473	Cylinder head screw M4x8 DIN 84 brass	2
65	075487	Spacer 24x12,6x16 PA black	2

2 Handle + Carriage

Item no.	Article no.	Description	Quantity
66	014975	Electrical cord 3G1,5X0,4m black Schukost	1
68	085448	Cable gland SR-M 20x1,5/KB9-11mm	1
69	081194	Motor cable w.plug NEO 230	1
70	074676	Axle short Running gear NEO 230	1
71	038567	Clamping lever GN300-92-M10-16-SW	1
72	081193	Motor cable w.clutch NEO 230	1
75	125896	Label Wolff 3D Ø30mm	1
76	084796	Cable gland SR-M 20x1,5KB11-13mm	1
77	084728	Suction nozzle NEO 230	1
78	014815	Hexagon nut M6 DIN985	2
79	018261	Cylinder head screw M6x55 DIN 912	1
80	014859	Schnorr washer M6	5
81	013445	Hose clamp, 40-60mm	1
82	086133	Handgrip round short Ø31 x 412 mm	1
83	086089	PVC-grip covering Ø30x155mm	2
84	086092	BG-handel round short	1
85	078734	Clamp for key SW 8	2
86	018257	Cylinder head screw M6x70 DIN 912	1
87	070900	Hexagonal screw key SW8 DIN 911L	1
88	067749	cable retention	1
o.Abb.	079067	Extension 3G1,5 ² cable DK	1

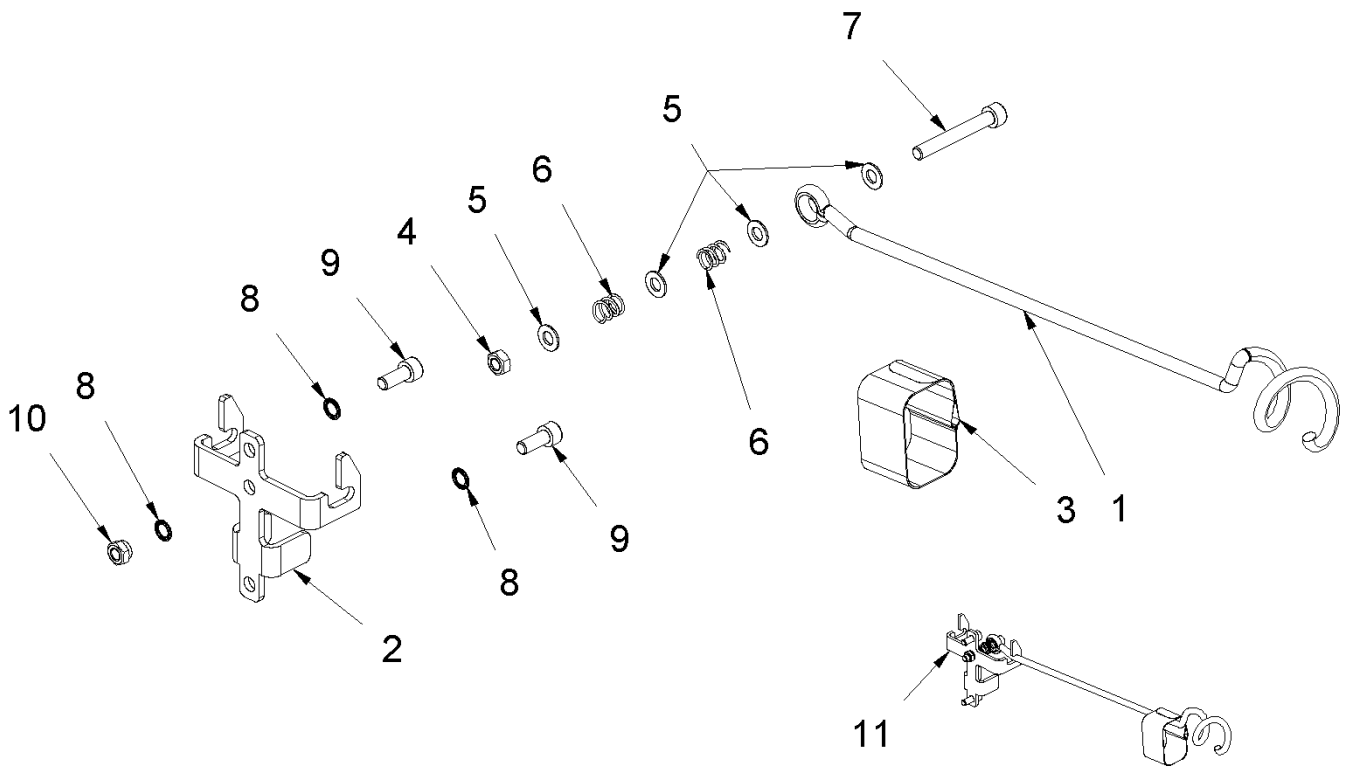
53 Two-hand switch 20A



53 Two-hand switch 20A

Item no.	Article no.	Description	Quantity
1	017449	Switch mechanics for two hand switch	1
2	019538	Switch 20A Mambo	1
3	019539	Push button Mambo	1
4	019540	Pan-head tapping screw 4.2x16 DIN 7981 C	2
5	019541	Pressure spring 11x15x1	1
6	019547	Housing f.2hand switch Mambo	1
7	019548	cover for Two-hand switch Mambo	1
8	019549	Shift handle for two-hand switch Mambo	2

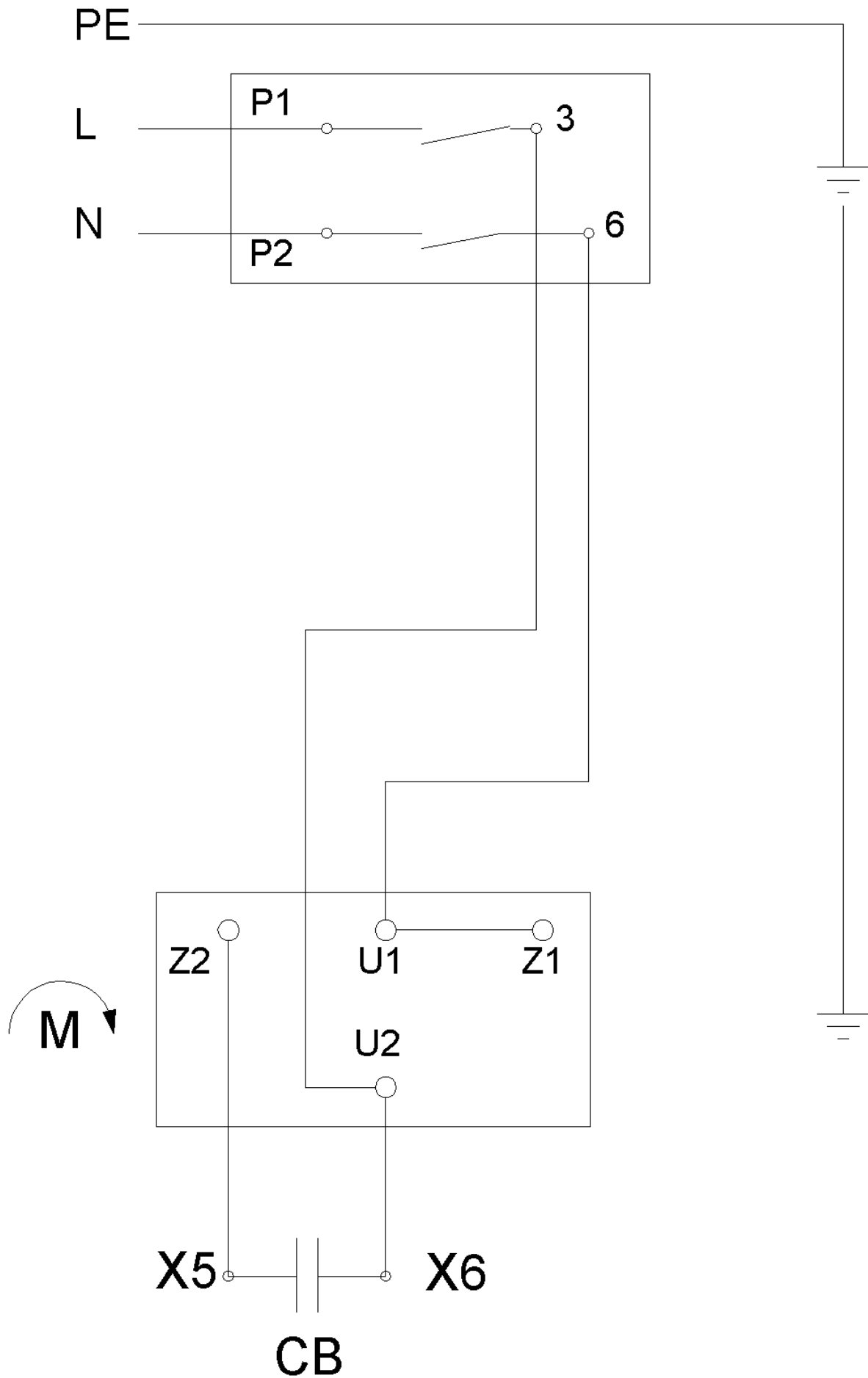
3 Cable support



3 Cable support

Item no.	Article no.	Description	Quantity
1	014548	Cable arm long Viper	1
2	010392	Clamping device f.cable arm NEO 230	1
3	088593	Velcro cable tie 40cm green	1
4	014810	Hexagon nut M 8 DIN 934 I6I/I8I	1
5	014828	Washer M8 DIN 125 A	4
6	043827	Pressure spring 13x20x1,5	2
7	017622	Cylinder head screw M8x60 DIN 912	1
8	014860	Schnorr Washer M8	3
9	014734	Cylinder head screw M8x20 DIN 912	2
10	014816	Hexagon nut M8 DIN 985	1
11	011858	Cable cantilever PS230/NEO230	1

4 Circuit Diagram



4 Circuit Diagram

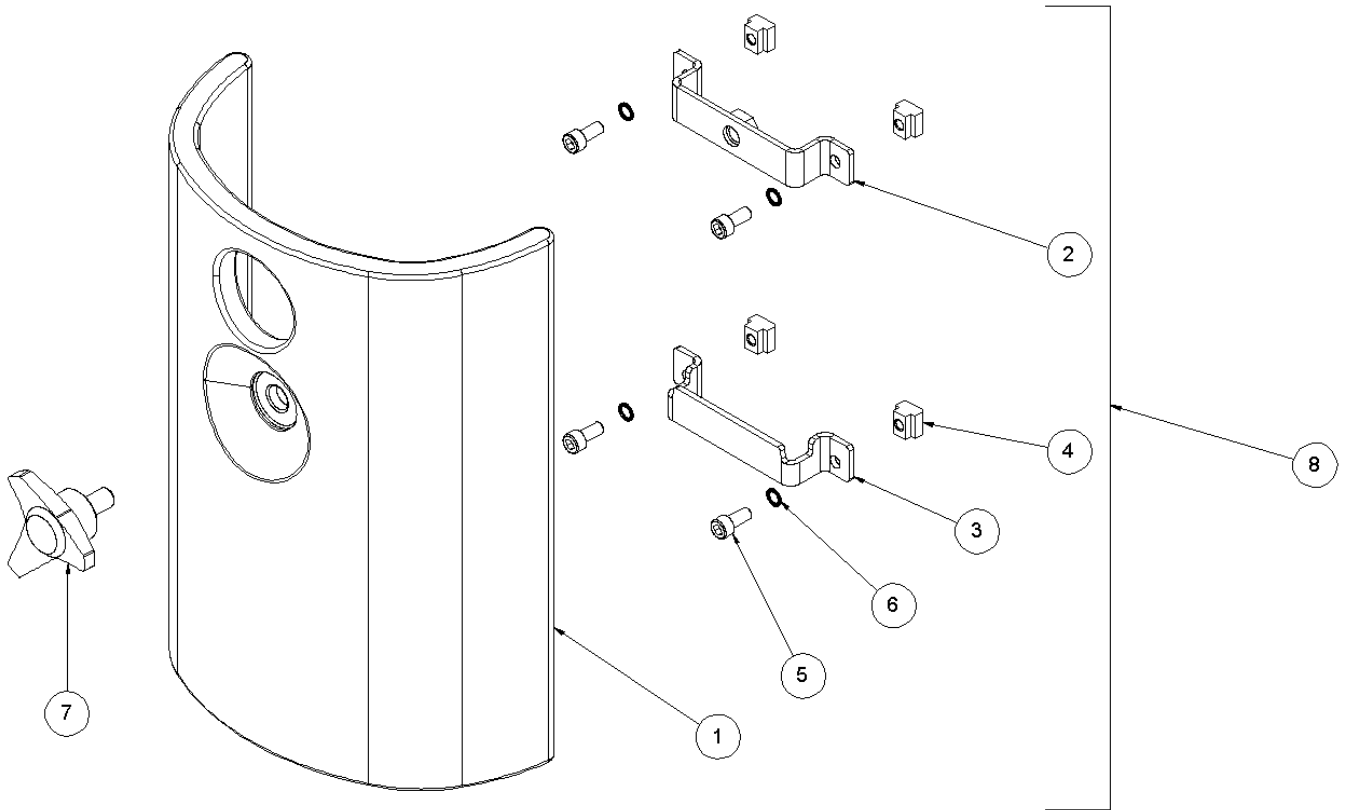
5 Tool kit #075915

Item no.	Article no.	Description	Quantity
1	054064	Tool bag green - Wolff	1
2	015315	Hearing protectors	1
3	015316	Protective goggles	1

6 Accessories

Item no.	Article no.	Description	Quantity
4	070900	Hexagonal screw key SW8 DIN 911L	1
7	038921	Suction nozzle f. Vacu-+Comp.clean+Mambo	1
8	013339	End piece, Ø50mm T-Rex	1

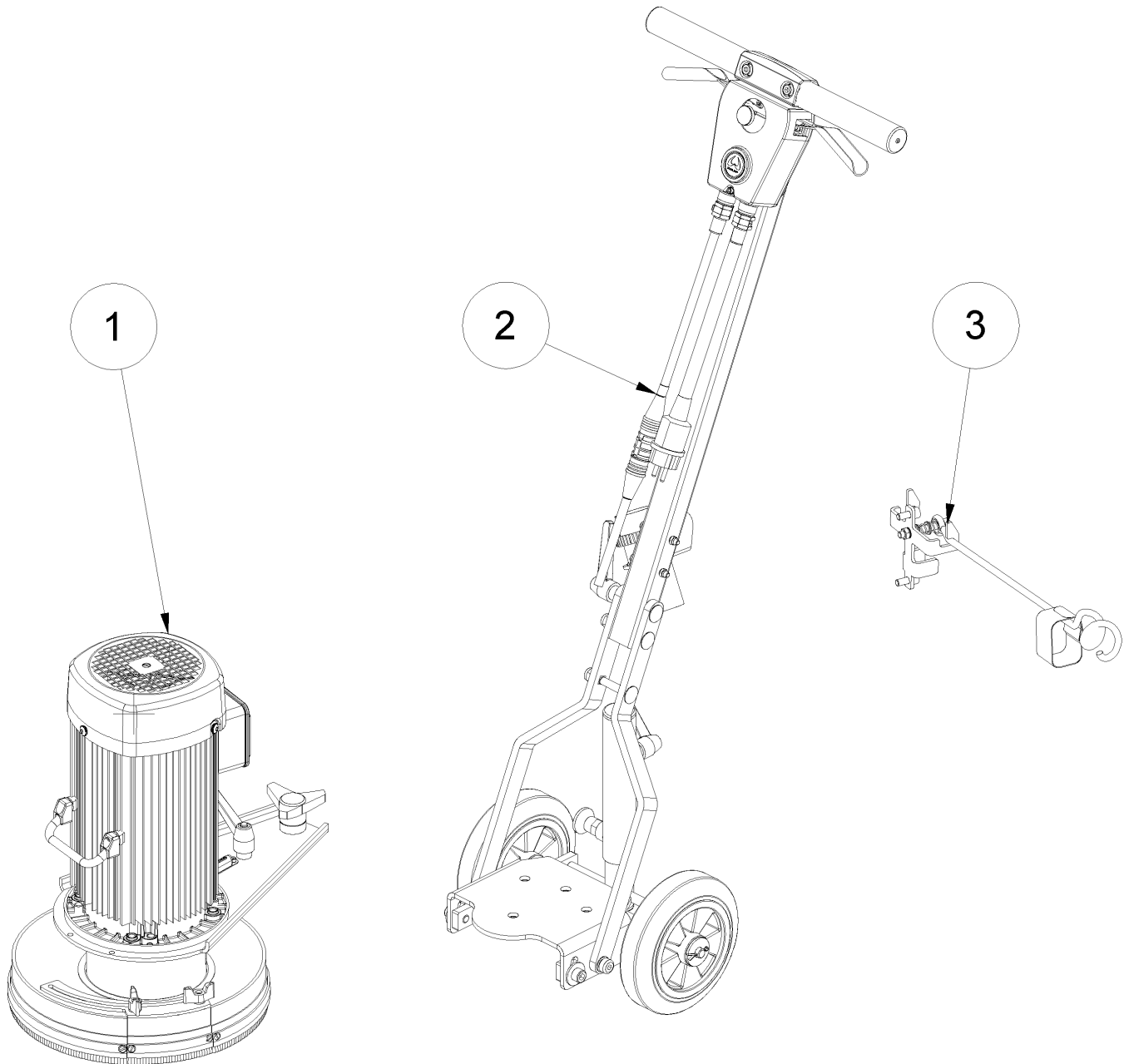
7 Additional weight



7 Additional weight

Item no.	Article no.	Description	Quantity
1	176998	Zusatzgewicht NEO 230 Guss	1
2	178397	Top mount additional weight NEO 230	1
3	177767	Bottom mount additional weight NEO 230	1
4	075478	Nut M6 DIN 508	4
5	014727	Cylinder head screw M 6x14 DIN 912	4
6	014859	Schnorr washer M6	4
7	178918	Three star screw M10x 20 cpl.	1
8	178986	Additional weight NEO 230 set	1

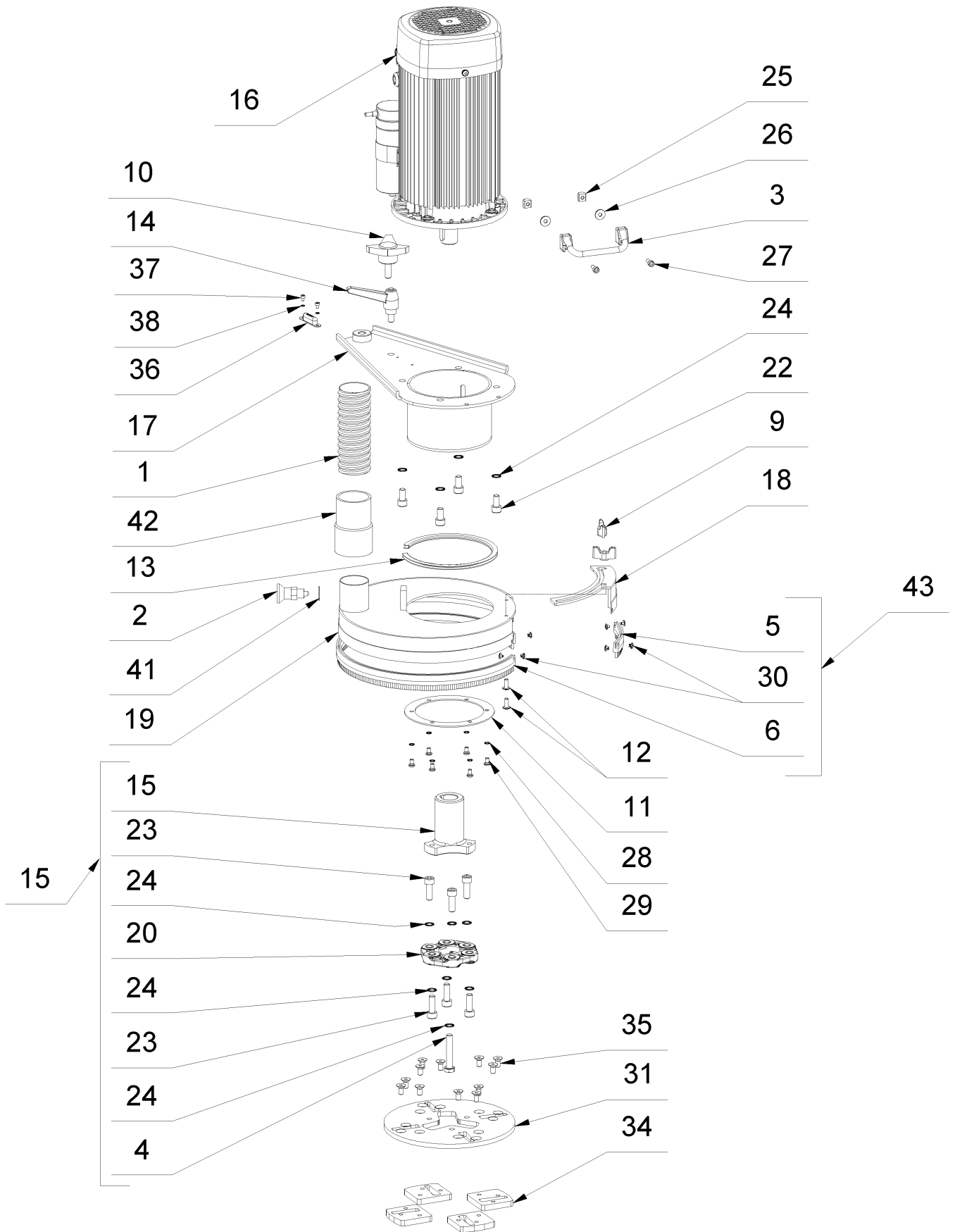
8 NEO 230 (1543-05/2021 - heute)



8 NEO 230 (1543-05/2021 - heute)

Item no.	Article no.	Description
1	08_01_074650	Motor
2	06_02_074650	Handle + Carriage
3	02_04_011858	Cable support
4	01_03_074650	Circuit Diagram
5	01_04_075915	Tool kit #075915
6	01_05_074650	Accessories
7	01_06_178986	Additional weight

1 Motor



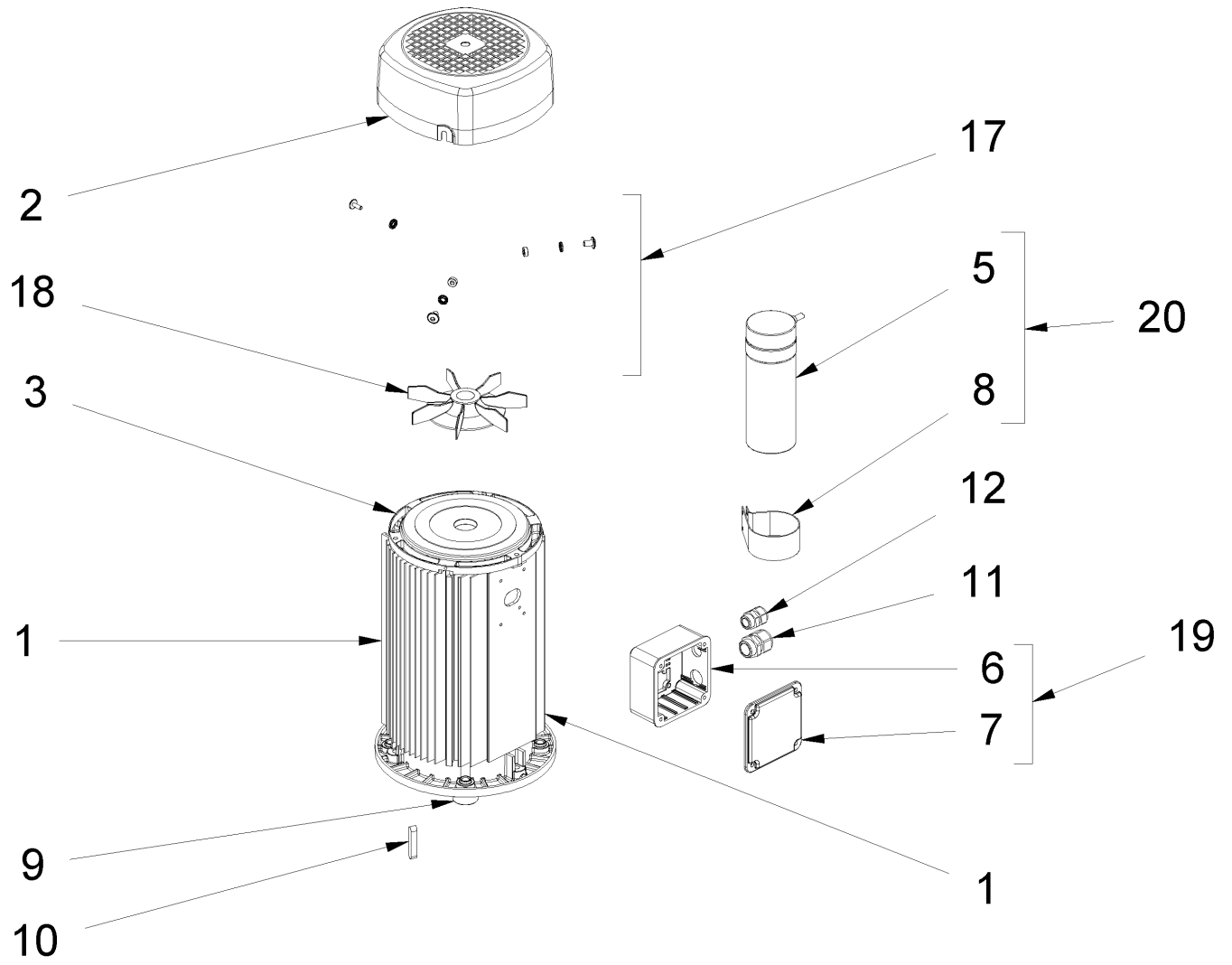
1 Motor

Item no.	Article no.	Description	Quantity
1	084792	Dust extraction hoseØ 50mm 830mmNEO 230	1
2	037953	Fixing pin	1
3	074634	Foldable handle NEO 230	1
4	014779	Hexagonal screw M10x 60 DIN 931	1
5	075057	Brush short NEO 230	1
6	075058	Brush long NEO 230	1
9	047796	Wing nut M6 plastic	2
10	039232	Three-star grip screw M10x30	1
11	074692	Supporting ring NEO 230	1
12	017552	Lens head screw M 6x16 ISO 7380	2
13	075060	Edge cover NEO 230	1
14	038567	Clamping lever GN300-92-M10-16-SW	1
15	164444	SGF Coupling flange NEO 230 SEE 175437	1
15	175437	Clutch NEO 230 complete	1
16	066796	Motor NEO 230 2 KW EMG	1
17	074680	SG Flange NEO 230	1
18	083232	Flap NEO high230	1
19	083233	Dust seal ring high NEO 230	1
20	164449	Kupplungsscheibe SGFlex NEO 230	1
22	018301	Cylinder head screw M10x20 DIN 912	4
23	018300	Cylinder head screw M10x30 DIN 912	6
24	014861	Washer M10	11
25	075478	Nut M6 DIN 508	2
26	017724	Washer DIN 9021 6,4x18x1,6	2
27	014727	Cylinder head screw M 6x14 DIN 912	2
28	014859	Schnorr washer M6	6
29	017554	Lens head screw M 6x 8	6
30	082549	Snip&Snap Ral 9005 black	8
31	164634	Grinding disc SGFlex NEO 230	1
34	080943	Segment holder NEO 230	4
35	016994	Counter sunk screw M8x16 DIN 7991 10.9	12
36	081698	Longitudinal Dragonfly NEO 230/400	1
37	081714	Cylinder head screw M 4X6 DIN 912	2
38	016961	Snorr washer M4	2

1 Motor

Item no.	Article no.	Description	Quantity
41	034216	Safety washer M16	1
42	013339	End piece, Ø50mm T-Rex	1
43	087313	Brush set NEO 230	1

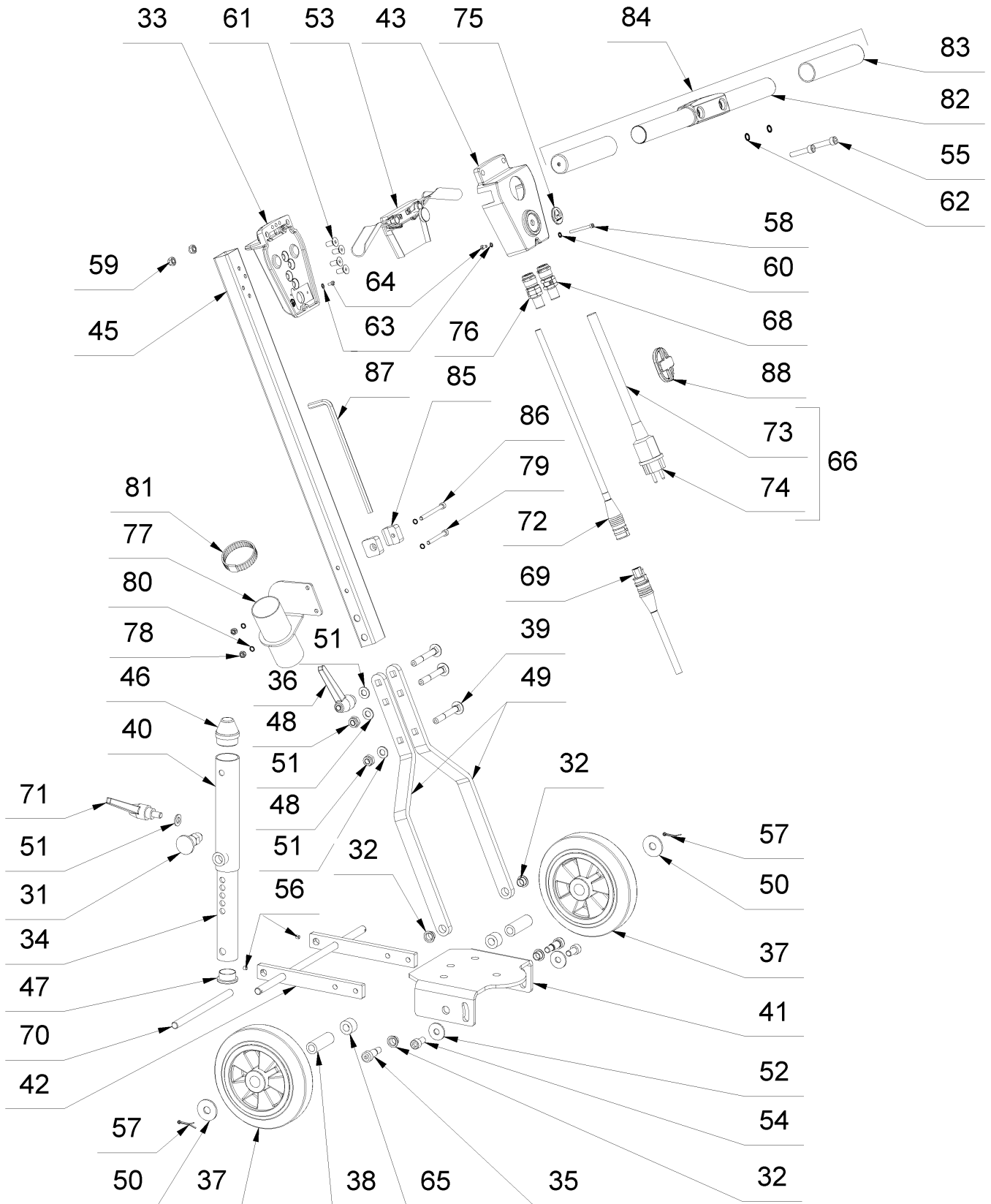
16 Motor NEO 230 2 KW EMG



16 Motor NEO 230 2 KW EMG

Item no.	Article no.	Description	Quantity
1		Housing	1
2	053225	Fan cover f.motor 230V Alpha/CT200	1
3	069825	Bearing plate CT200/Alpha	1
4	066914	Bearing plate CT200/Alpha	1
5	034028	Condenser 50mF EMG 2KW SEE 176683	1
6		Terminal cover	1
7		Terminal box cover	1
8	053304	capacitor bracket Ø60	1
9		Motor shaft	1
10	039457	Feather key 8x7x40 DIN 6885	1
11	051948	Cable gland M20x1.5	1
12	068199	Cable gland M16x1.5	1
17	071896	Screw kit f. fan cover Alpha/NEO	1
18	082116	Fan wheel NEO 230	1
19	081013	Terminal box w.cover NEO 230	1
20	176683	Capacitor 50µF NEO230 with holder	1

2 Handle + Carriage



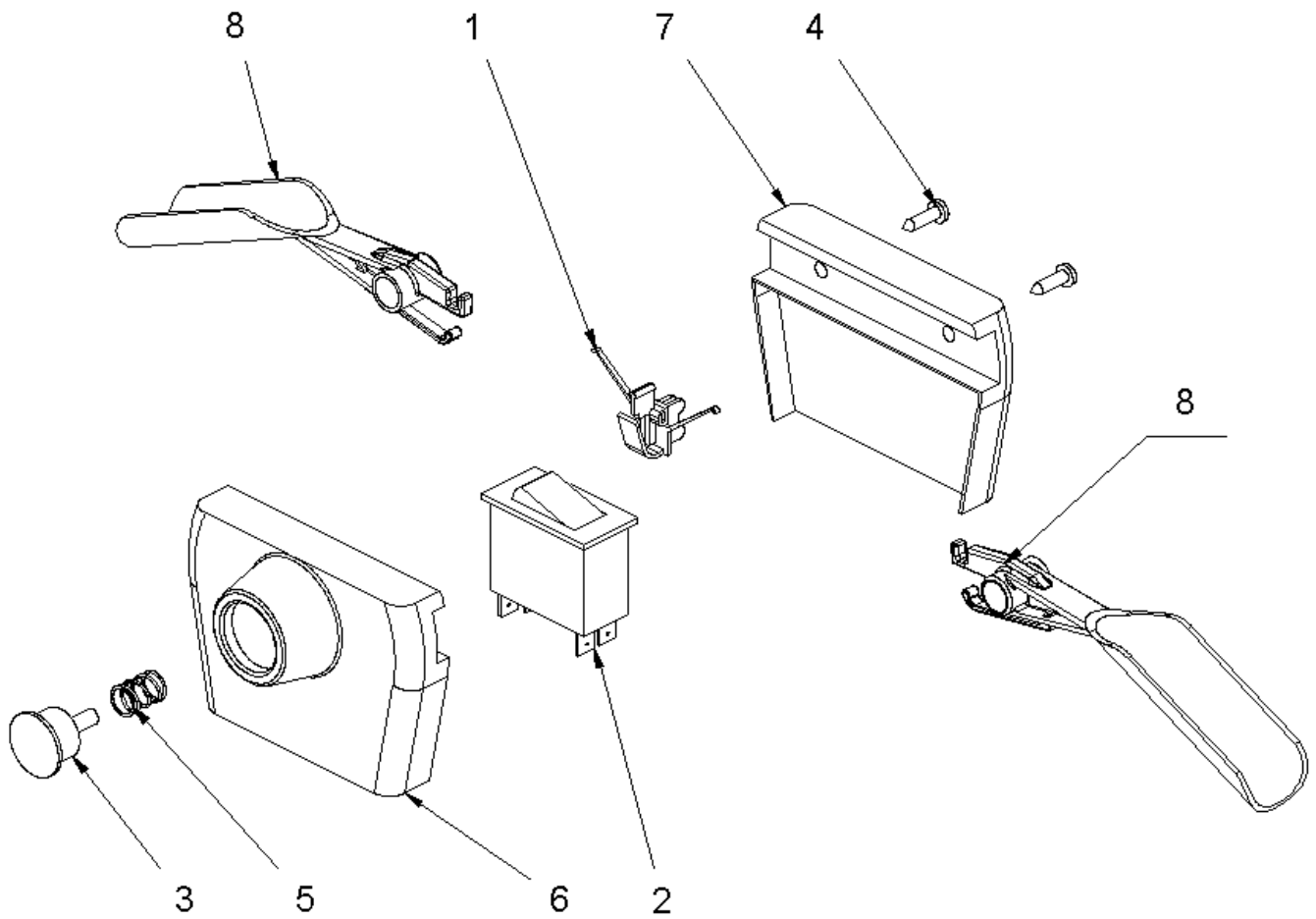
2 Handle + Carriage

Item no.	Article no.	Description	Quantity
31	037953	Fixing pin	1
32	019090	Bushing BB 1209 DU	4
33	074686	Base support handle NEO 230	1
34	074652	Inner tube NEO 230	1
35	074694	Screw M10x20 DIN 7379	2
36	042473	Clamping lever GN300-78-M10-SW	1
37	014645	Wheel Mambo+carriage pressure roll	2
38	017922	Wheel hub Mambo	2
39	074695	Flat round screw M10X75 DIN 603	3
40	074646	SG Outside pipe NEO 230	1
41	074655	SG Chassis NEO 230	1
42	074677	SG Fahrwerk NEO 230	1
43	074687	Switch housing NEO 230	1
45	074653	Handle NEO 230	1
46	086146	Support buffer	1
47	074559	Stopper d35,0x3-5 black	1
48	014817	Hexagon nut M10 DIN 985	2
49	074648	Truss handle NEO 230	2
50	017637	Washer 13x37x3 DIN 9021	2
51	014829	Washer M10 DIN 125 A	4
52	018236	Washer 10.5 DIN 9021	2
53	015000	Two-hand switch 20A	1
54	018301	Cylinder head screw M10x20 DIN 912	2
55	014738	Cylinder head screw M 8x40 DIN 912	2
56	017531	Headless pin M6x6 DIN 913	2
57	018806	Split pin 3,2x25 DIN 94	2
58	017684	Cylinder head screw M4x45 DIN 912	1
59	014816	Hexagon nut M8 DIN 985	2
60	016961	Snorr washer M4	1
61	014759	Countersunk screw M8x18 DIN 7991 10.9	4
62	014860	Schnorr Washer M8	2
63	017663	Tooth lock washer 4.3 Form A DIN 6797	2
64	017473	Cylinder head screw M4x8 DIN 84 brass	2
65	075487	Spacer 24x12,6x16 PA black	2

2 Handle + Carriage

Item no.	Article no.	Description	Quantity
66	014975	Electrical cord 3G1,5X0,4m black Schukost	1
68	085448	Cable gland SR-M 20x1,5/KB9-11mm	1
69	081194	Motor cable w.plug NEO 230	1
70	074676	Axle short Running gear NEO 230	1
71	038567	Clamping lever GN300-92-M10-16-SW	1
72	081193	Motor cable w.clutch NEO 230	1
75	125896	Label Wolff 3D Ø30mm	1
76	084796	Cable gland SR-M 20x1,5KB11-13mm	1
77	084728	Suction nozzle NEO 230	1
78	014815	Hexagon nut M6 DIN985	2
79	018261	Cylinder head screw M6x55 DIN 912	1
80	014859	Schnorr washer M6	5
81	013445	Hose clamp, 40-60mm	1
82	086133	Handgrip round short Ø31 x 412 mm	1
83	086089	PVC-grip covering Ø30x155mm	2
84	086092	BG-handel round short	1
85	078734	Clamp for key SW 8	2
86	018257	Cylinder head screw M6x70 DIN 912	1
87	070900	Hexagonal screw key SW8 DIN 911L	1
88	067749	cable retention	1
o.Abb.	079067	Extension 3G1,5 ² cable DK	1

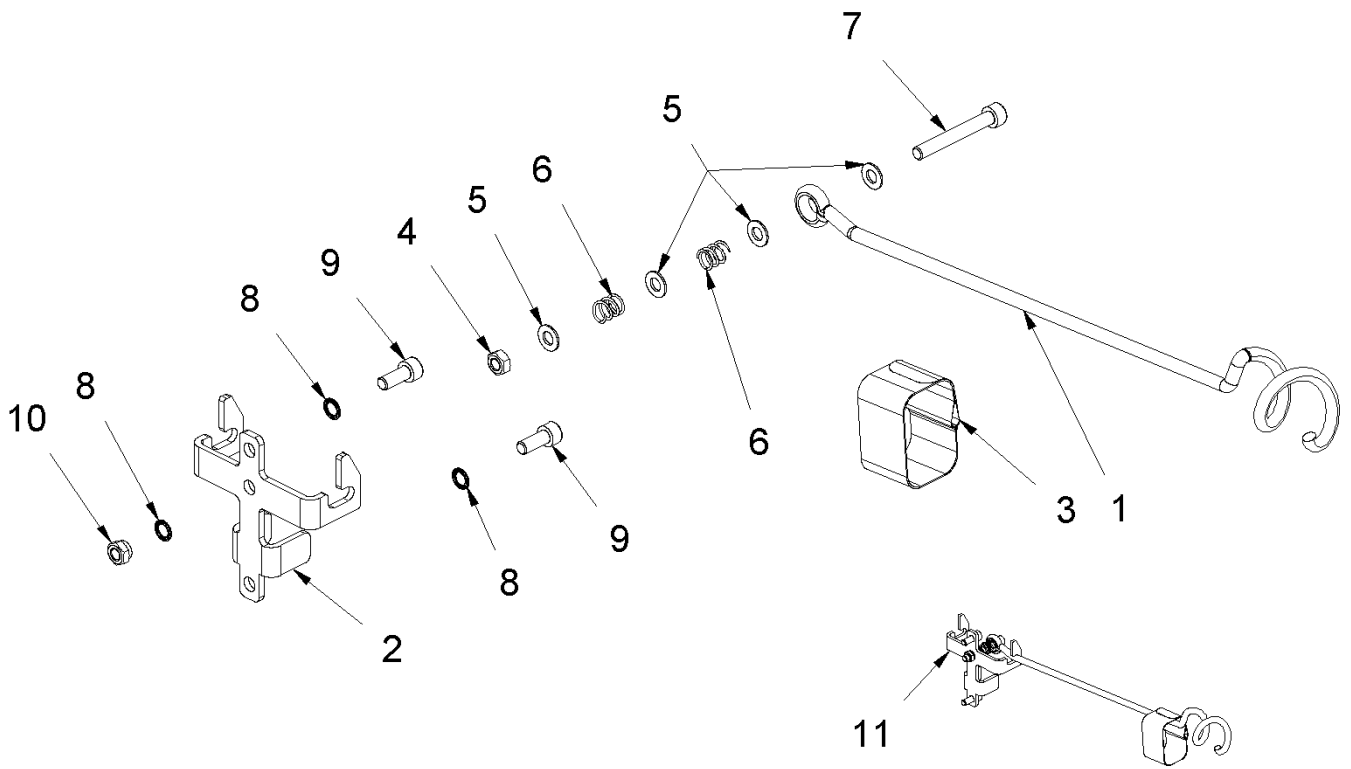
53 Two-hand switch 20A



53 Two-hand switch 20A

Item no.	Article no.	Description	Quantity
1	017449	Switch mechanics for two hand switch	1
2	019538	Switch 20A Mambo	1
3	019539	Push button Mambo	1
4	019540	Pan-head tapping screw 4.2x16 DIN 7981 C	2
5	019541	Pressure spring 11x15x1	1
6	019547	Housing f.2hand switch Mambo	1
7	019548	cover for Two-hand switch Mambo	1
8	019549	Shift handle for two-hand switch Mambo	2

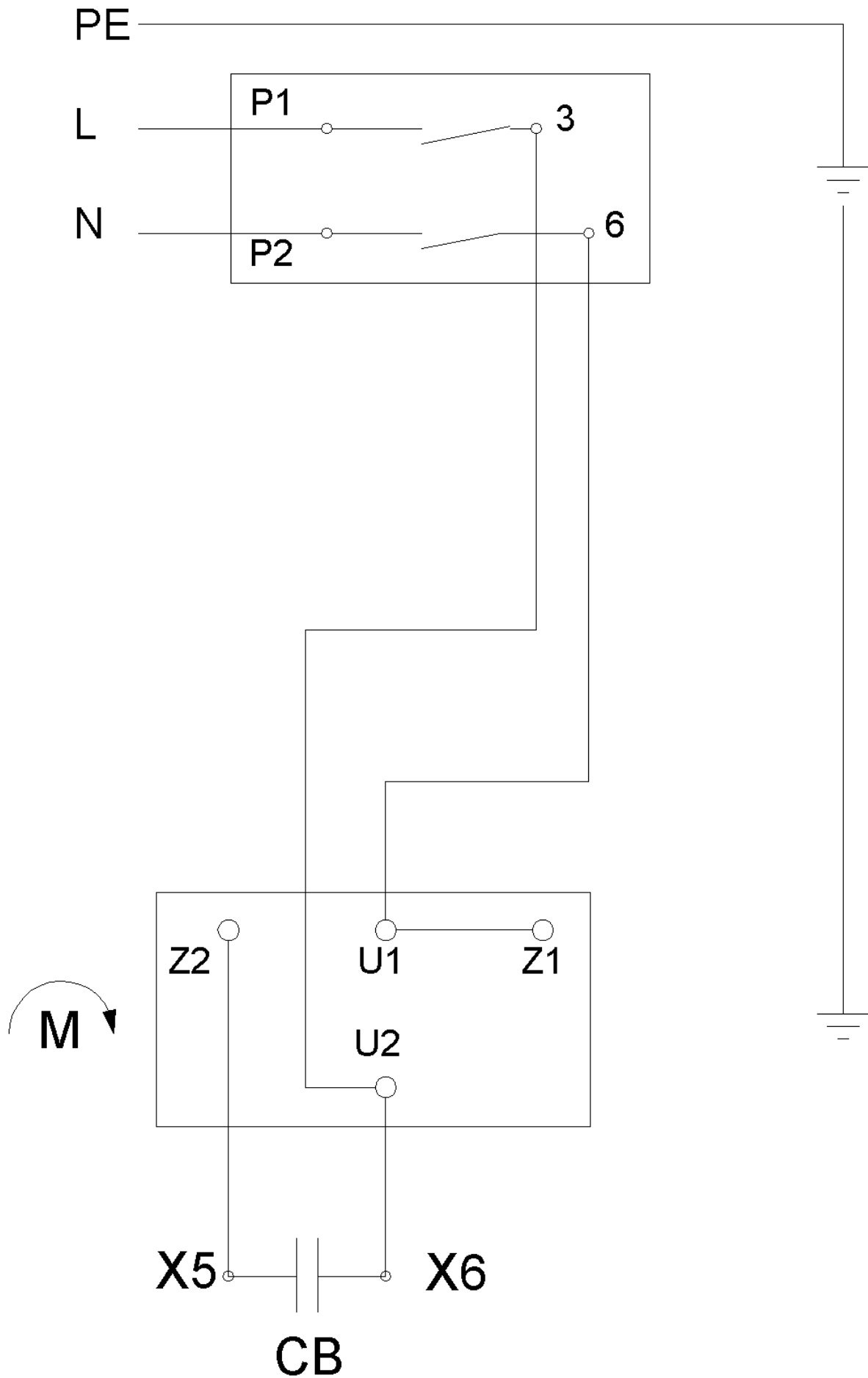
3 Cable support



3 Cable support

Item no.	Article no.	Description	Quantity
1	014548	Cable arm long Viper	1
2	010392	Clamping device f.cable arm NEO 230	1
3	088593	Velcro cable tie 40cm green	1
4	014810	Hexagon nut M 8 DIN 934 I6I/I8I	1
5	014828	Washer M8 DIN 125 A	4
6	043827	Pressure spring 13x20x1,5	2
7	017622	Cylinder head screw M8x60 DIN 912	1
8	014860	Schnorr Washer M8	3
9	014734	Cylinder head screw M8x20 DIN 912	2
10	014816	Hexagon nut M8 DIN 985	1
11	011858	Cable cantilever PS230/NEO230	1

4 Circuit Diagram



4 Circuit Diagram

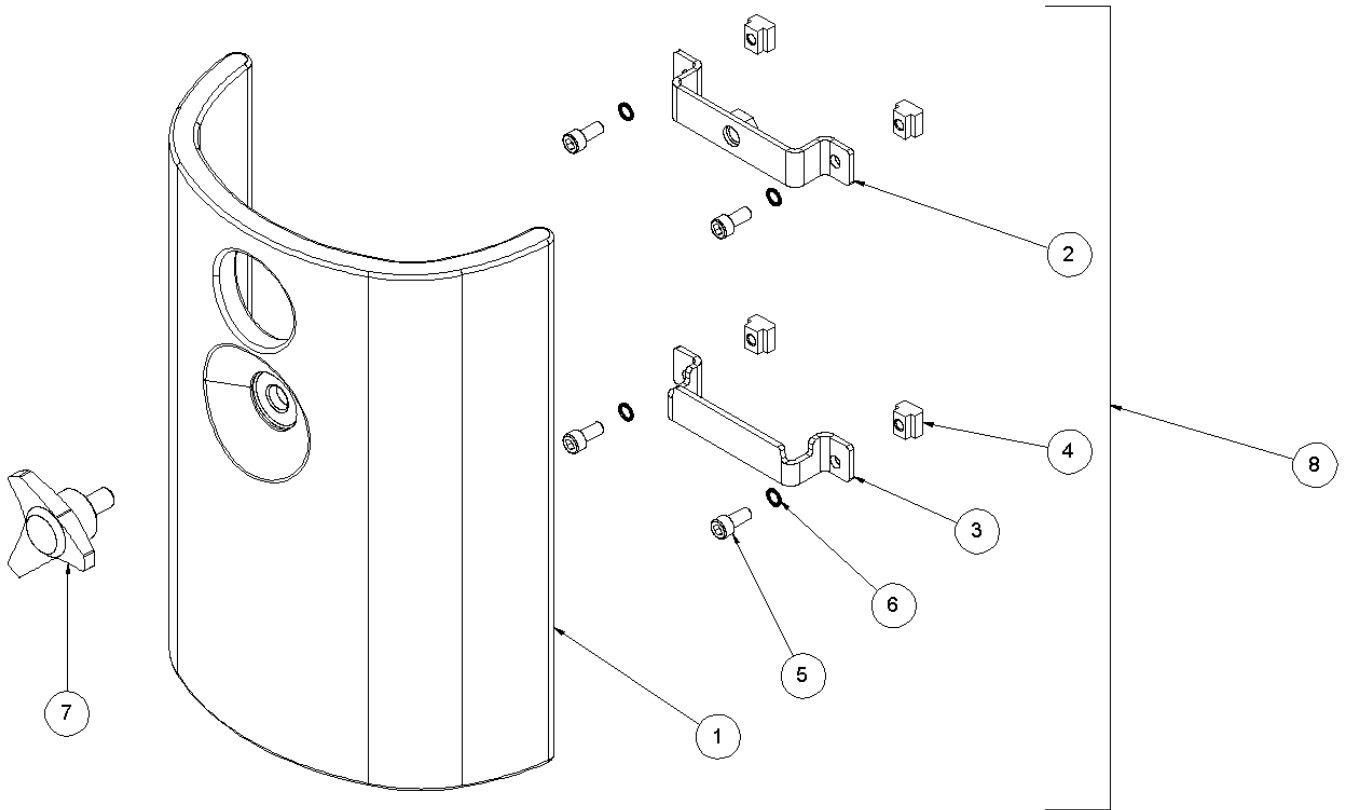
5 Tool kit #075915

Item no.	Article no.	Description	Quantity
1	054064	Tool bag green - Wolff	1
2	015315	Hearing protectors	1
3	015316	Protective goggles	1

6 Accessories

Item no.	Article no.	Description	Quantity
4	070900	Hexagonal screw key SW8 DIN 911L	1
7	038921	Suction nozzle f. Vacu-+Comp.clean+Mambo	1
8	013339	End piece, Ø50mm T-Rex	1

7 Additional weight



7 Additional weight

Item no.	Article no.	Description	Quantity
1	176998	Zusatzgewicht NEO 230 Guss	1
2	178397	Top mount additional weight NEO 230	1
3	177767	Bottom mount additional weight NEO 230	1
4	075478	Nut M6 DIN 508	4
5	014727	Cylinder head screw M 6x14 DIN 912	4
6	014859	Schnorr washer M6	4
7	178918	Three star screw M10x 20 cpl.	1
8	178986	Additional weight NEO 230 set	1