



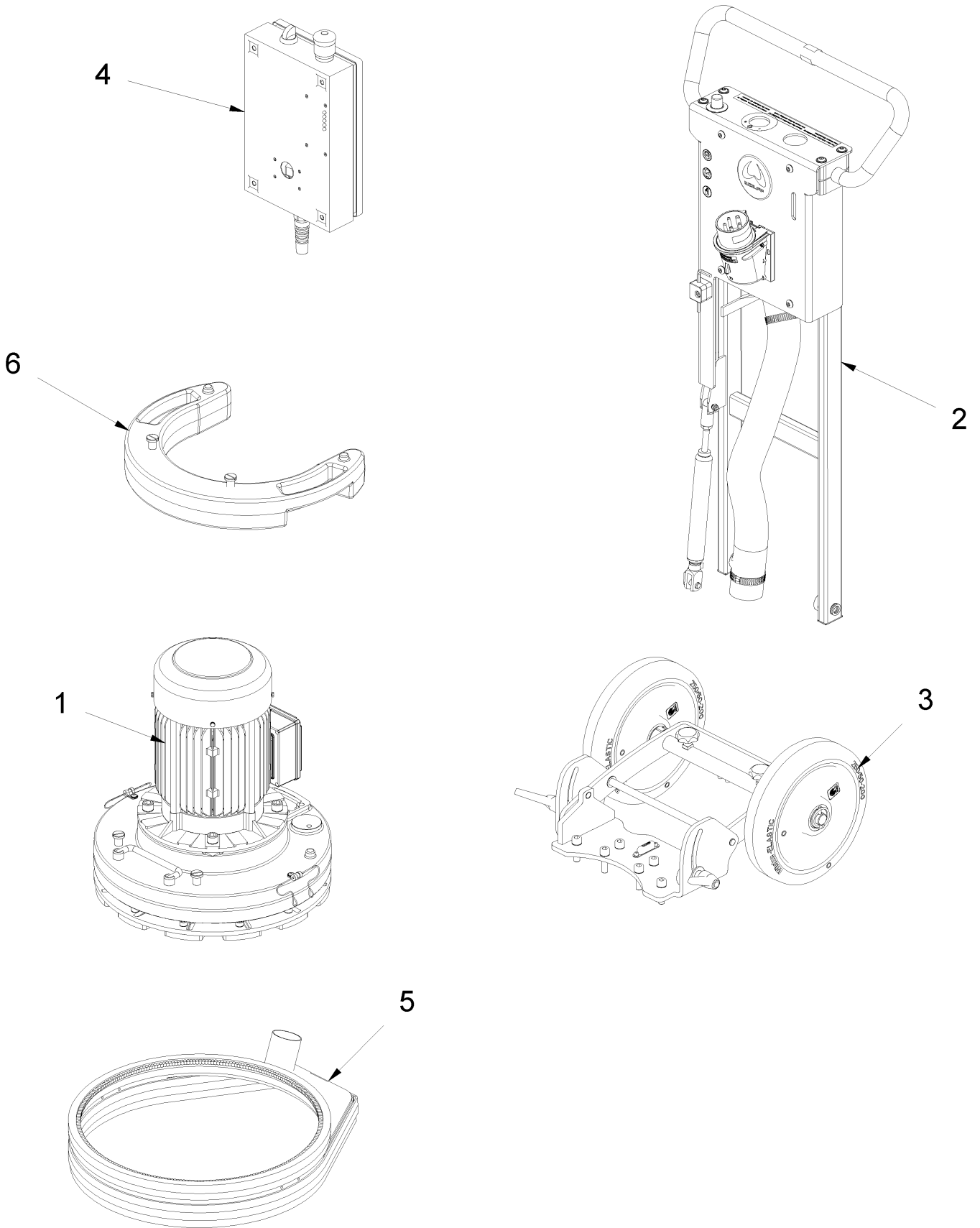
spare parts list NEO400 EU



Table of contents

1 NEO400 (0007/2016-0042/2017)	3
1 Motor	5
2 Handle	7
3 Carriage	10
4 Terminal box	12
5 Dust seal	14
6 Additional weight	16
8 Circuit diagram	18
9 Tool kit	20
10 Accessories	21
2 NEO400 (0043/2017-0052/2017)	22
1 Motor	24
2 Handle	26
3 Carriage	29
4 Terminal box	31
5 Dust seal	33
6 Additional weight	35
7 Supporting role	37
8 Circuit diagram	39
9 Tool kit	41
10 Accessories	42
3 NEO400 (0053/2017-0081/2018)	43
1 Motor	45
2 Handle	47
3 Carriage	50
4 Terminal box	52
5 Dust seal	54
6 Additional weight	56
7 Supporting role	58
8 Circuit diagram	60
9 Tool kit	62
10 Accessories	63
4 NEO400 (0082/2018-0167/2020)	64
1 Motor	66
2 Handle	68
3 Carriage	71
4 Terminal box	73
5 Dust seal	75
6 Additional weight	77
7 Supporting role	79
8 Circuit diagram	81
9 Tool kit	83
10 Accessories	84
5 NEO400 (0168/2020-heute)	85
1 Motor	87
2 Handle	89
38 Cable support compl. BiTurbo	92
3 Carriage	94
4 Terminal box	96
5 Dust seal	98
6 Additional weight	100
7 Supporting role	102
8 Circuit diagram	104
9 Tool kit	106
10 Accessories	107

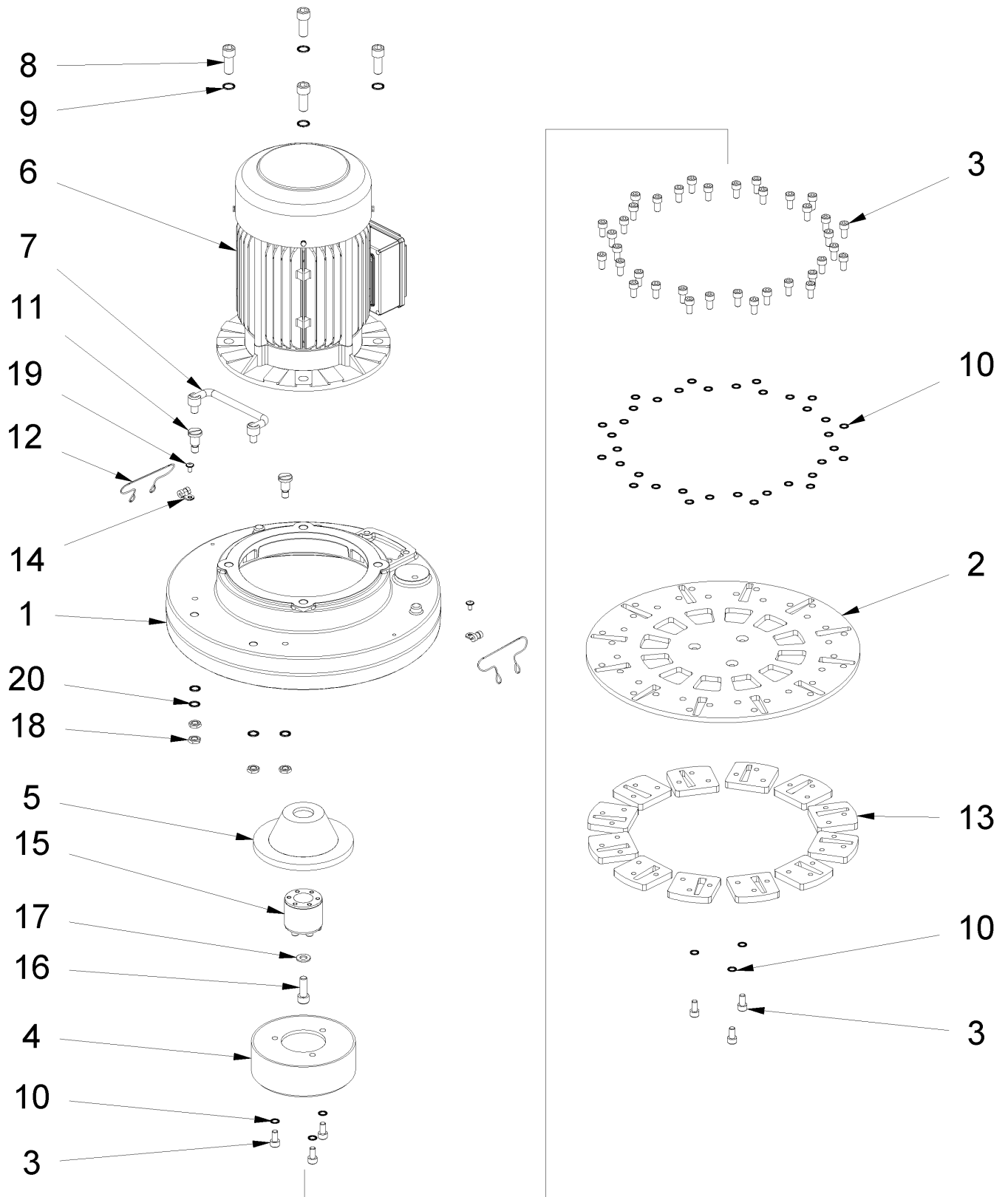
1 NEO400 (0007/2016-0042/2017)



1 NEO400 (0007/2016-0042/2017)

Item no.	Article no.	Description
1	01_01_078100	Motor
2	01_02_078099	Handle
3	01_03_078102	Carriage
4	01_04_078101	Terminal box
5	01_05_078109	Dust seal
6	01_03_072225	Additional weight
8	01_08_076970	Circuit diagram
9	01_09_076970	Tool kit
10	01_10_076970	Accessories

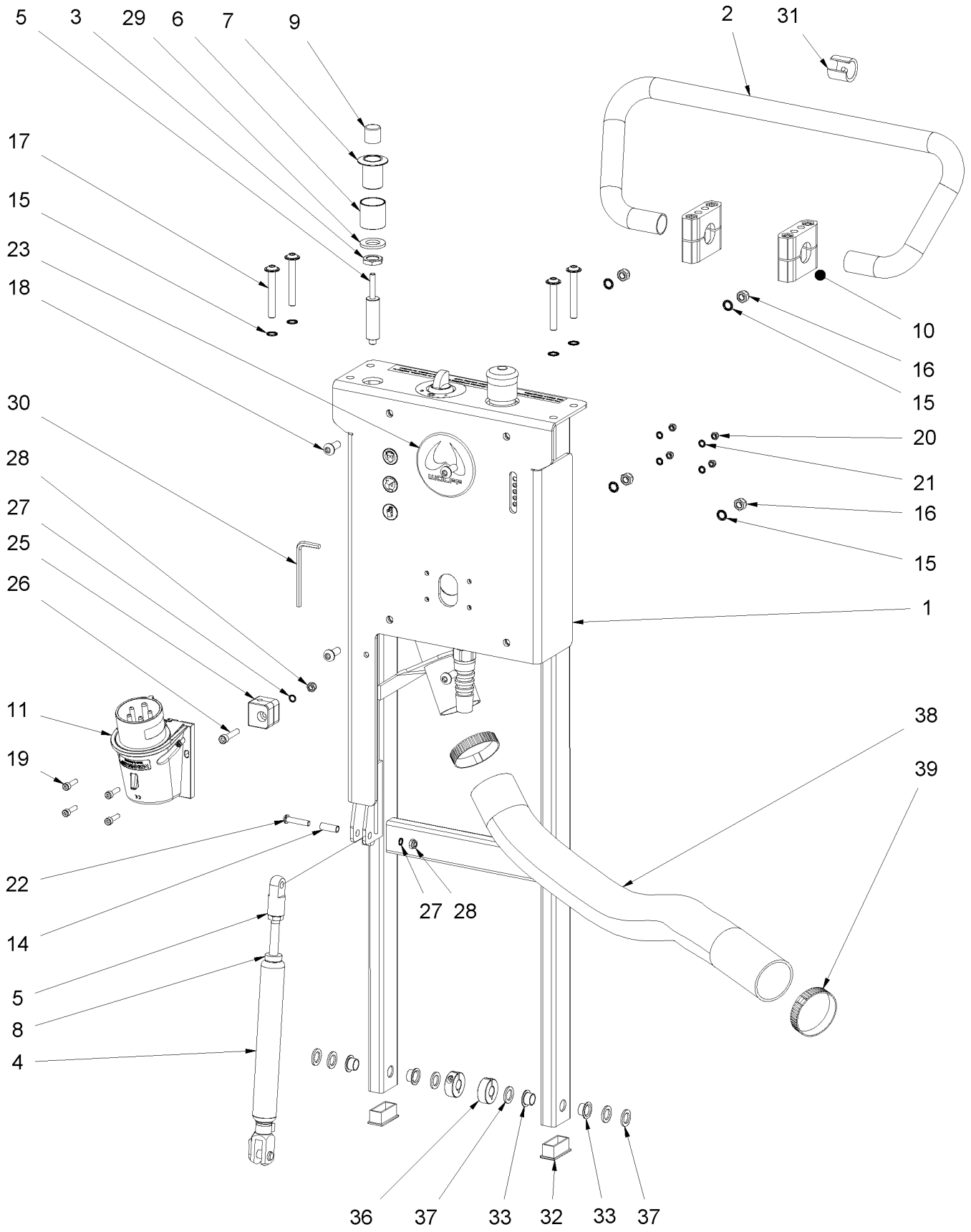
1 Motor



1 Motor

Item no.	Article no.	Description	Quantity
1	077027	Motor housing NEO 400	1
2	077180	Segment plate 12fach NEO 400	1
3	017651	Cylinder head screw M8x16 DIN 912	42
4	048982	ZB Rubber clutch	1
5	077173	Coupling flange NEO 400	1
6	146928	Motor 4kW 400V 1500U/min NEO 400	1
7	072139	Foldable handle DSW400	1
8	014744	Cylinder head screw M12x30 DIN 912	4
9	014862	Washer M12	4
10	014860	Schnorr Washer M8	42
11	072156	Flat head screw M10x16 DIN 923	2
12	080096	Guy rope	2
13	048744	Segment holder	12
14	080075	Swage of wires Ø 3,2 mm	2
16	018300	Cylinder head screw M10x30 DIN 912	1
17	014829	Washer M10 DIN 125 A	1
18	017667	Hexagon nut M10 DIN 936 flat	5
19	017681	Lens head screw M 5x10	2
20	014861	Washer M10	5

2 Handle



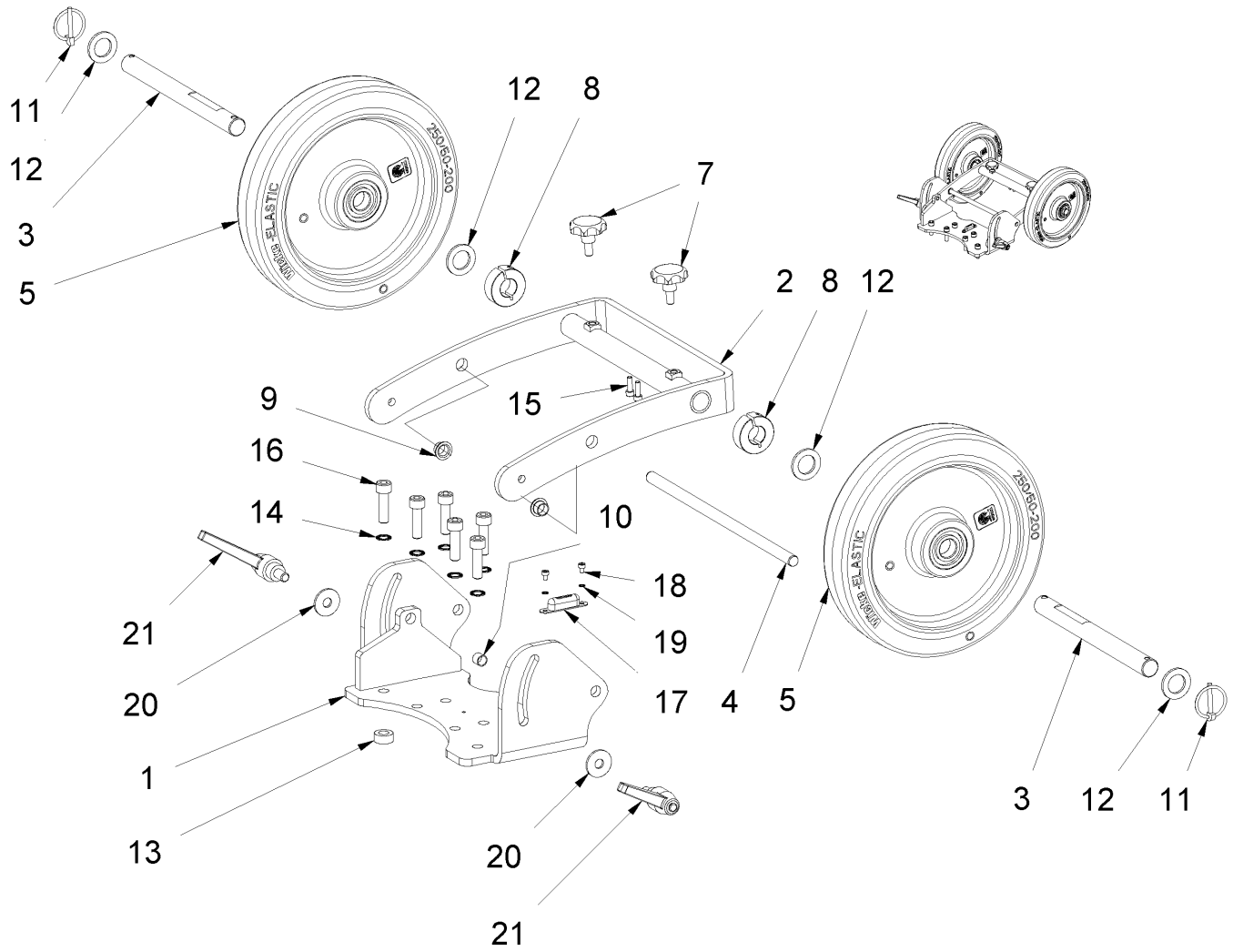
2 Handle

Item no.	Article no.	Description	Quantity
1	077029	SG Handle NEO 400	1
2	077166	Handle NEO 400	1
3	077761	Lock nut M16x1,5 DIN 439	1
4	072136	Gas pressure spring DSW400	1
5	077130	Trigger head NEO 400	1
6	077139	Socket NEO 400	1
7	077131	Bushing 38*35*M16*1.5 NEO 400	1
8	060733	Bearing damper Mambo Evo/Spider	1
9	077176	Pressing button long NEO 400	1
10	077190	Clamb GN231-B25-1-BL	2
11	077159	Electrical plug/wall 16A 5p.6h	1
12	107303	Label protective glove	1
13	146823	Label Respiratory protection	1
14	081841	Axle tube verzinkt 21,8x8x6,2	1
15	014860	Schnorr Washer M8	8
16	014816	Hexagon nut M8 DIN 985	4
17	077260	Lens head screw M 8x60	4
18	047385	Lens head screw M8x20	4
19	014720	Cylinder head screw M5x20 DIN 912	4
20	014814	Stop hexagon nut M5 DIN 985	4
21	014858	Schnorr washer M5	4
22	062844	Lens head screw M 6x30 ISO 7380	1
23	118141	Label Wolff 3D d80mm	1
24	017459	label safety ear and eye	1
25	078389	Camp f.key SW 5	1
26	017678	Cylinder head screw M6x30 DIN 912	1
27	014859	Schnorr washer M6	2
28	014815	Hexagon nut M6 DIN985	2
29	017741	Washer M14 DIN 125	1
30	014956	Hexagonal screw key SW5 DIN 911	1
31	079643	Protective clip NEO 400	1
32	018767	Stopper 40,0x20 x14,5 black	2
33	019090	Bushing BB 1209 DU	4
34	145873	Label Check Phase rotation	1

2 Handle

Item no.	Article no.	Description	Quantity
35	146250	Label ON/OFF NEO 400	1
36	080076	Tension ring slitted Ø 12	2
37	014833	Washer 13 DIN 433	6
38	078118	Dust extraction hose Ø 50mm NEO 400	1
39	013445	Hose clamp, 40-60mm	2

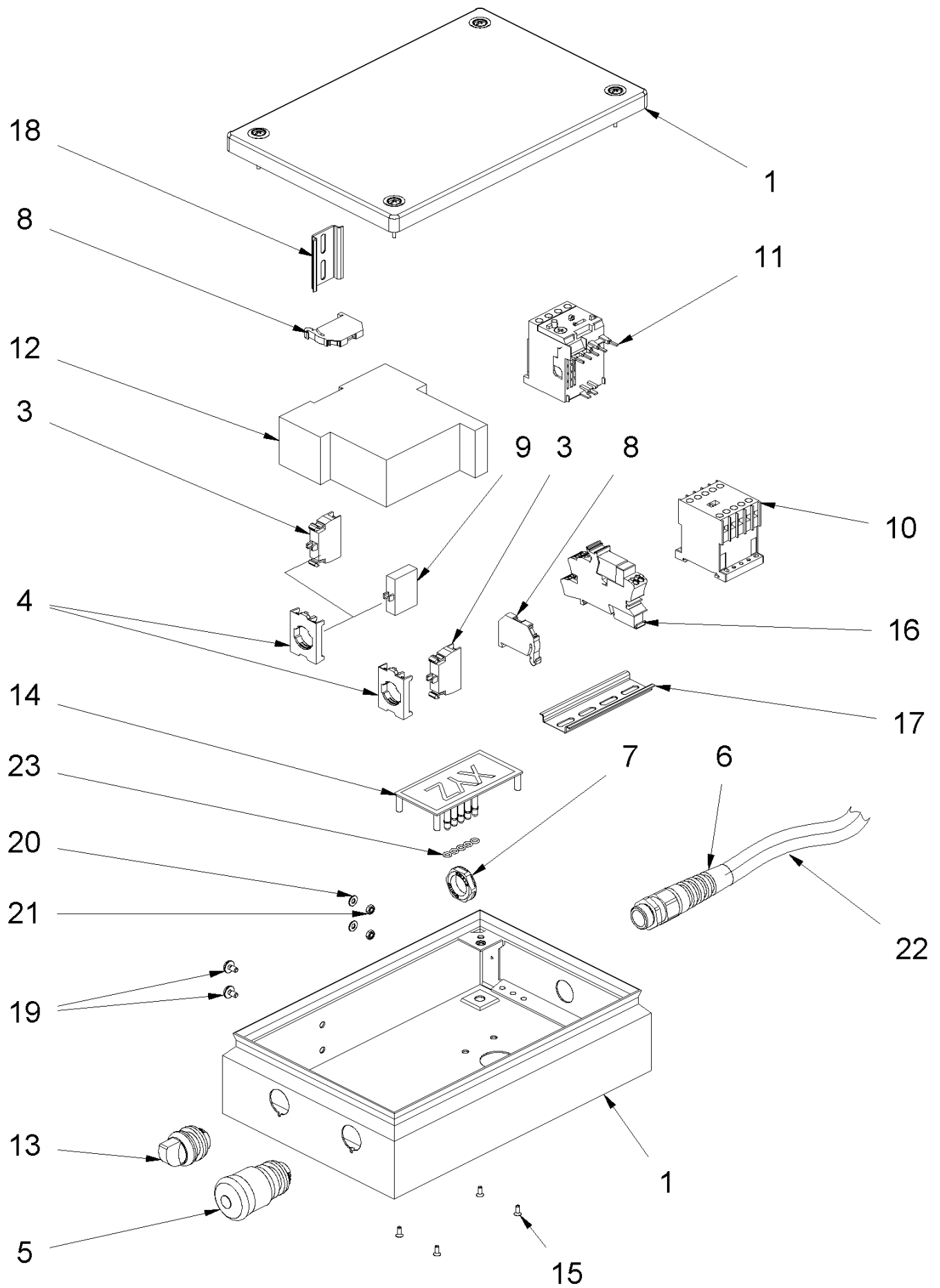
3 Carriage



3 Carriage

Item no.	Article no.	Description	Quantity
1	077037	SG Chassis strap NEO 400	1
2	077038	SG Clip f.transport castors NEO 400	1
3	077138	Axle chassis d20 NEO 400	2
4	077137	Stalk axis d12 NEO 400	1
5	077132	Wheel NEO 400	2
7	080375	Star grip bolt M8x16	2
8	077238	Tension ring 20	2
9	019090	Bushing BB 1209 DU	2
10	014912	Bushing 1010	1
11	014888	Wheel pin 4,2mm galv.	2
12	077261	Washer 13 DIN 433	4
13	080376	Spacer Neo 400	1
14	014861	Washer M10	6
15	017610	Cylinder head screw M5x16 DIN 912	2
16	017550	Cylinder head screw M10x35 DIN 912	6
17	081698	Longitudinal Dragonfly NEO 230/400	1
18	081714	Cylinder head screw M 4X6 DIN 912	2
19	016961	Snorr washer M4	2
20	018236	Washer 10.5 DIN 9021	2
21	038567	Clamping lever GN300-92-M10-16-SW	2

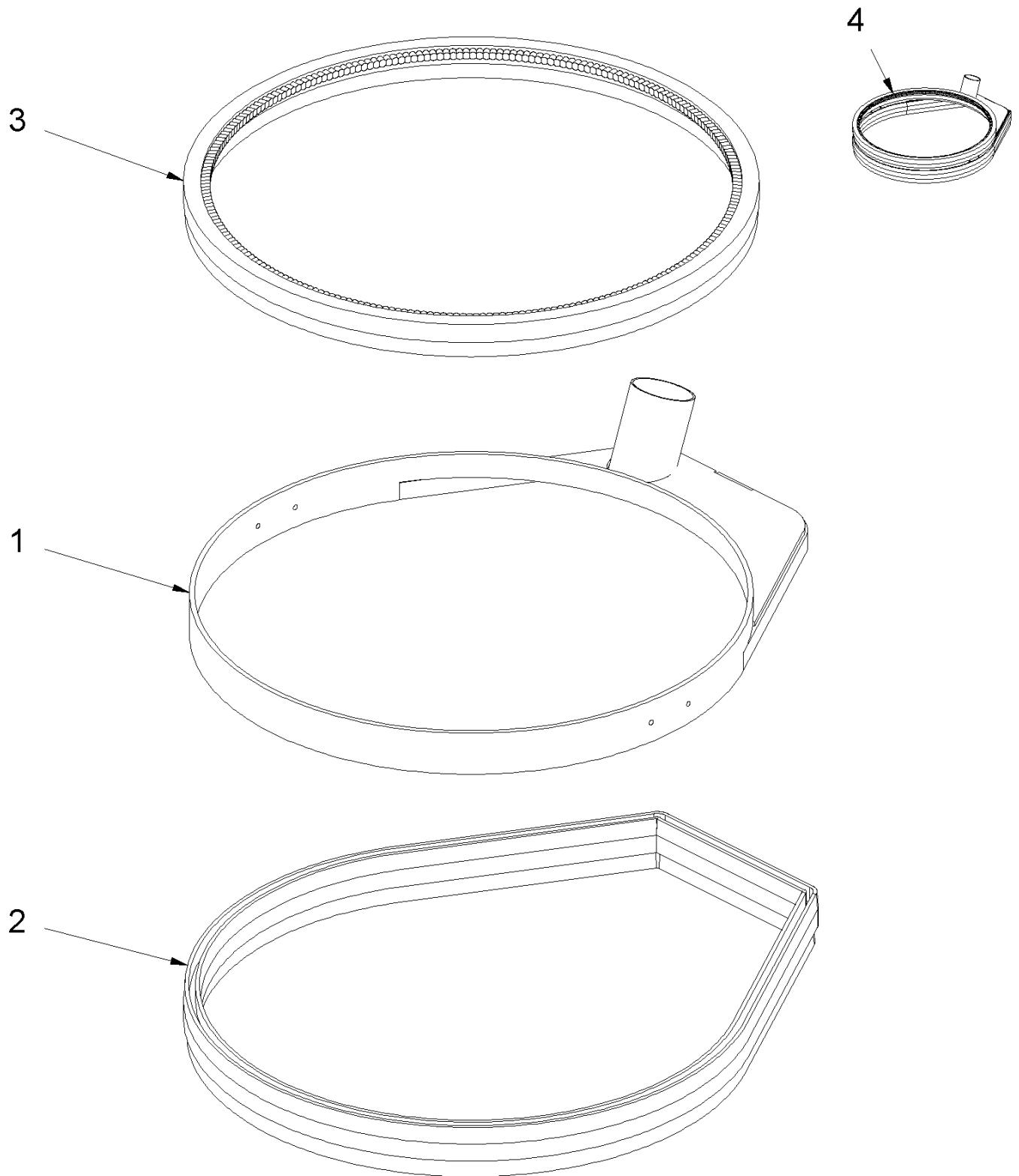
4 Terminal box



4 Terminal box

Item no.	Article no.	Description	Quantity
1	078087	Terminal box NEO 400	1
3	017507	Contact element open NC	2
4	017503	Adapterattachment	2
5	052443	Safety switch	1
6	039190	Screw connection w.bending prot.M20x1,5	1
7	047935	Nut PE M20x1,5	1
8	071895	Top hat rail unclamp 6mm	2
9	017505	Contact element shut NO	1
10	071318	Contactactor 230V	1
11	077268	Motor protection relay	1
12	081973	Soft Starter 5,5kW	1
13	077257	Selection button M22 / 3 positions	1
14	078122	LED display NEO 400	1
15	066725	Countersunk screw M 3x 8 ISO 14581	4
16	078123	Relais NEO 400	1
17	068023	Top hat rail 100 mm	1
18	020969	Top hat rail 50 mm	1
19	056488	Lens head screw M4x 8	2
20	017452	Washer M4 DIN 125 B	2
21	017630	Hexagon nut M 4 DIN 934	2
22	077212	Control wire NEO 400	1
23	080066	O-Ring 4,5x1,5	5

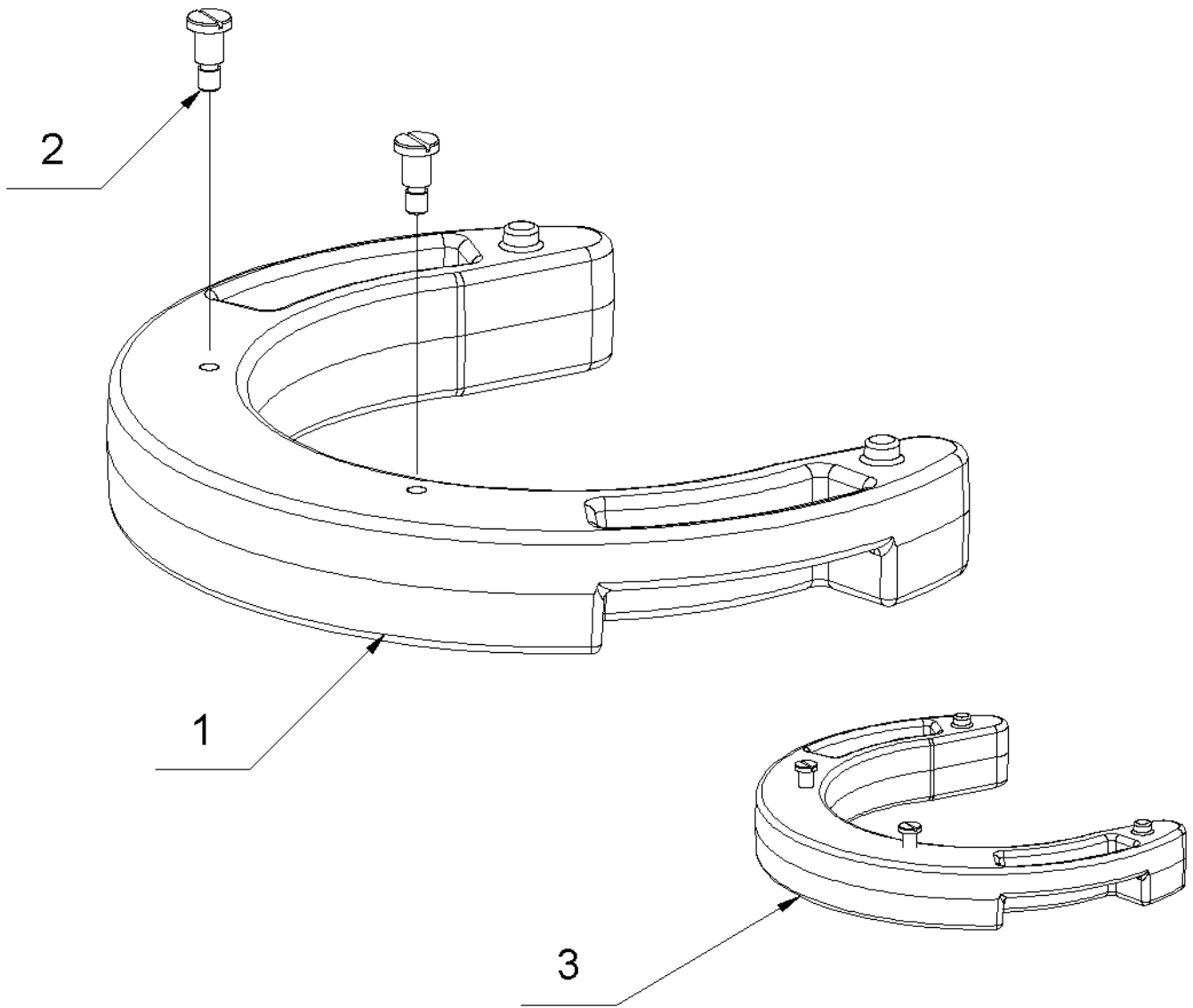
5 Dust seal



5 Dust seal

Item no.	Article no.	Description	Quantity
1	077184	SG Dust seal NEO 400	1
2	077175	Brush below NEO 400	1
3	080050	Brush above NEO 400	1
4	078109	SG Dust seal strong cpl. NEO 400	1

6 Additional weight



6 Additional weight

Item no.	Article no.	Description	Quantity
1	072148	Additional weight 400	1
2	072156	Flat head screw M10x16 DIN 923	2
3	072225	ADDITIONAL WEIGHT 400	1

8 Circuit diagram

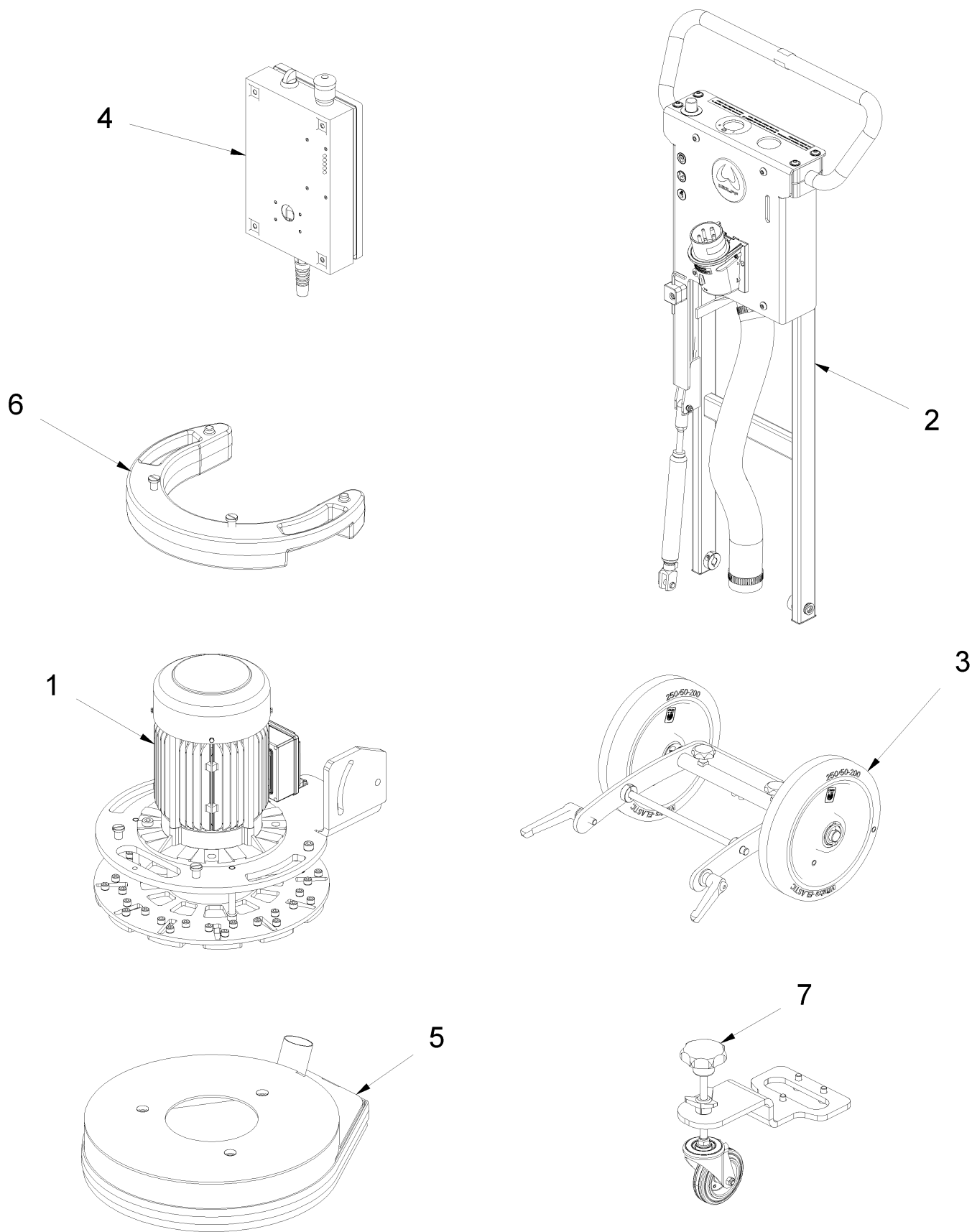
9 Tool kit

Item no.	Article no.	Description	Quantity
1	054064	Tool bag green - Wolff	1
2	015315	Hearing protectors	1
3	015316	Protective goggles	1
4	078116	Technical instructions NEO 400 3-spr	1
5	078117	Spare part list NEO 400	1
6	016732	Fine dust mask Gecko/URS/Cobra	1
7	015809	Safety gloves 1 pair	1
8	080208	Plastic hammer 35mm	1

10 Accessories

Item no.	Article no.	Description	Quantity
1	064194	Water level 230mm	1
2	080208	Plastic hammer 35mm	1
3	015960	Extension cord 25m 400V 16A CEKON	1

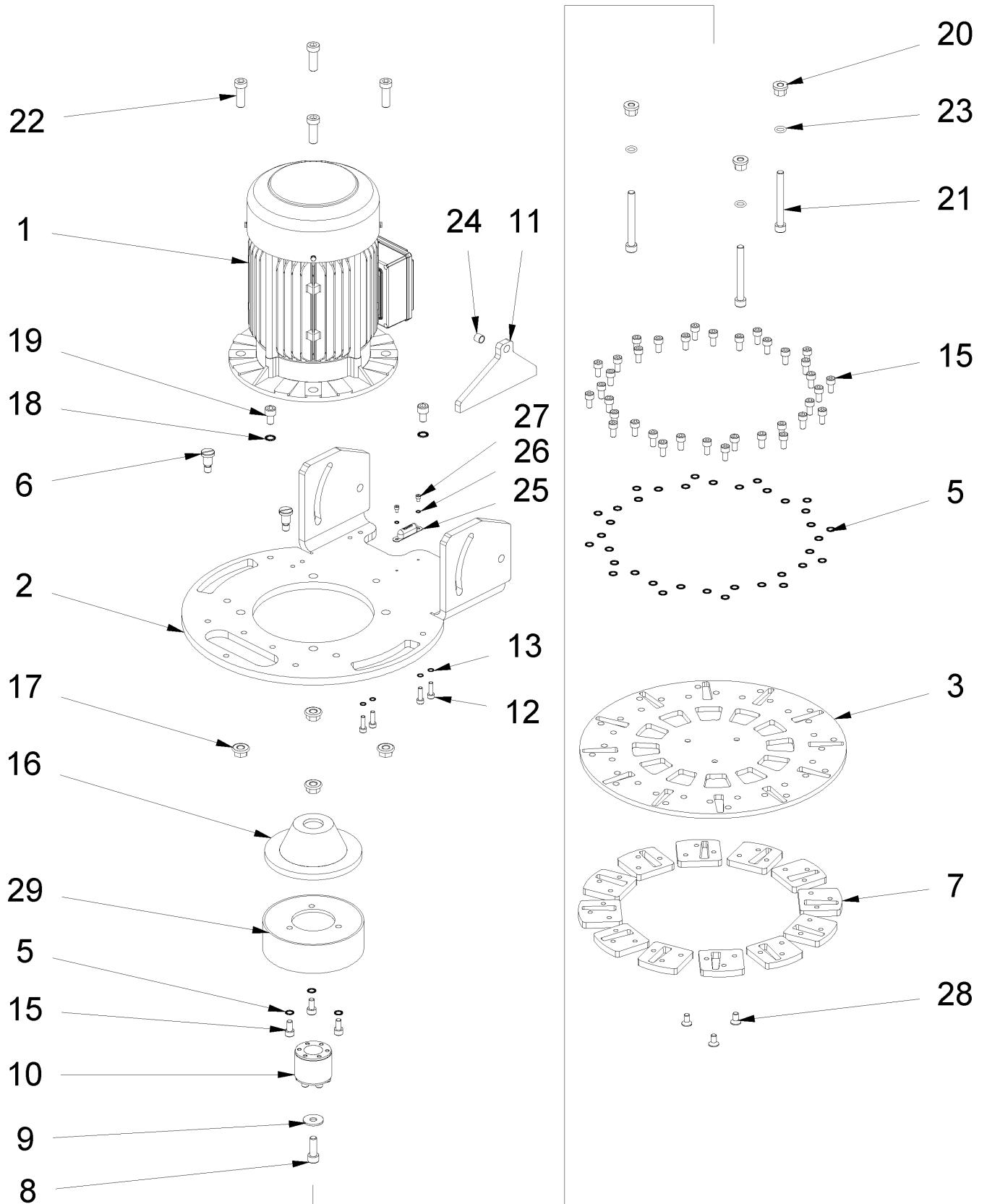
2 NEO400 (0043/2017-0052/2017)



2 NEO400 (0043/2017-0052/2017)

Item no.	Article no.	Description
1	02_01_078100	Motor
2	01_02_078099	Handle
3	02_03_078102	Carriage
4	01_04_078101	Terminal box
5	02_05_076970	Dust seal
6	01_03_072225	Additional weight
7	02_07_083702	Supporting role
8	01_08_076970	Circuit diagram
9	01_09_076970	Tool kit
10	01_10_076970	Accessories

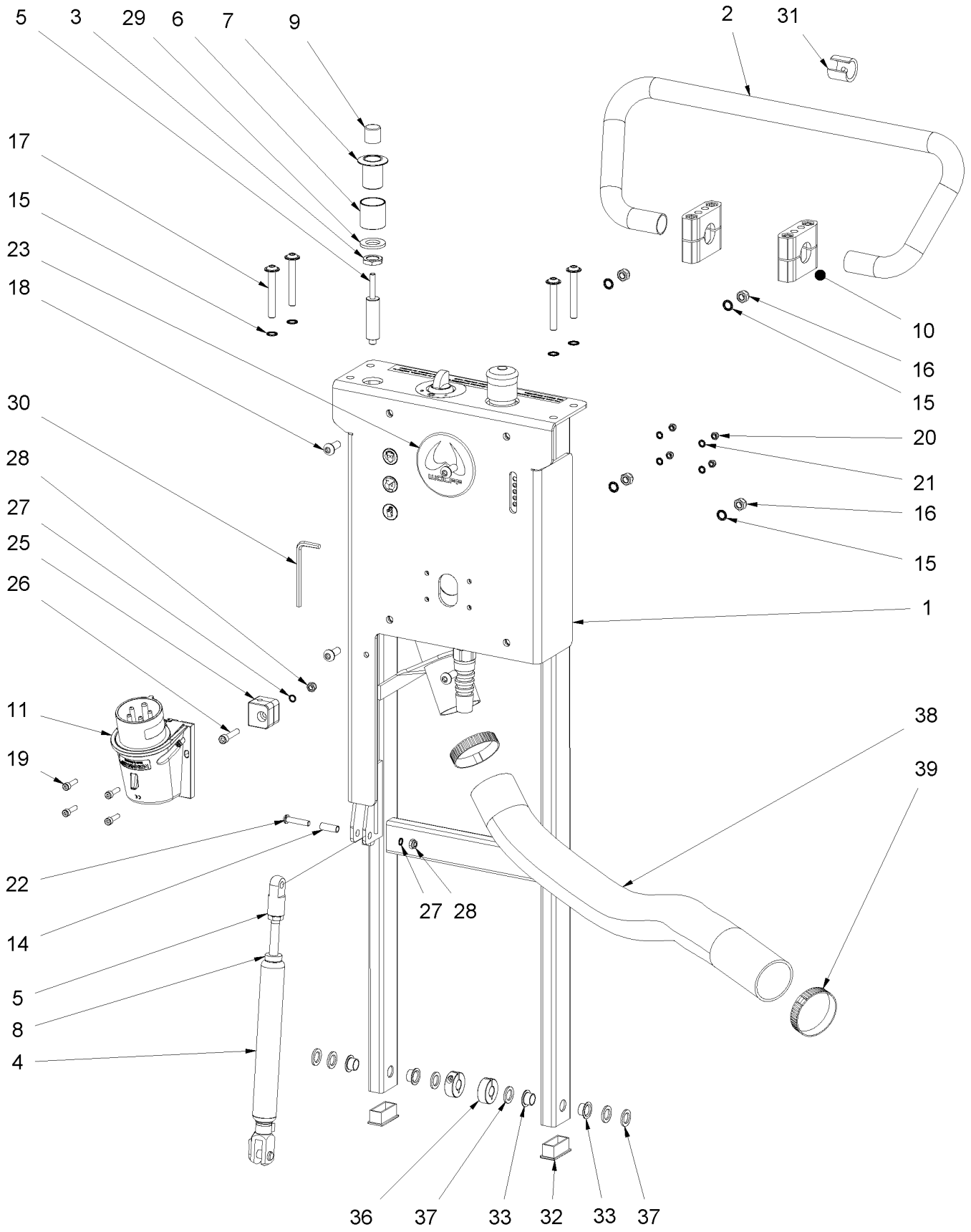
1 Motor



1 Motor

Item no.	Article no.	Description	Quantity
1	076957	Motor 4kW 400V 1500U/min NEO 400	1
2	083041	Console NEO 400	1
3	077180	Segment plate 12fach NEO 400	1
5	014860	Schnorr Washer M8	39
6	072156	Flat head screw M10x16 DIN 923	2
7	048744	Segment holder	12
8	018300	Cylinder head screw M10x30 DIN 912	1
9	018236	Washer 10.5 DIN 9021	1
10	080395	Clamping sleeve 28x55x45	1
11	083050	Rippe für Konsole	1
12	014730	Cylinder head screw M 6x20 DIN 912	4
13	014859	Schnorr washer M6	4
15	017651	Cylinder head screw M8x16 DIN 912	39
16	077173	Coupling flange NEO 400	1
17	083420	Hexagon nut M12 DIN 6923	7
18	014861	Washer M10	2
19	014740	Cylinder head screw M10x16 DIN 912 10.9	2
20	083421	Hexagon nut M10 DIN 6923	3
21	083476	Cylinder head screw M 10x90 10.9 vz. DIN	3
22	016449	Cylinder head screw M12x30 DIN 6912	4
23	017761	O-Ring 11x3	3
24	014912	Bushing 1010	1
25	081698	Longitudinal Dragonfly NEO 230/400	1
26	016961	Snorr washer M4	2
27	081714	Cylinder head screw M 4X6 DIN 912	2
28	014764	Countersunk screw M8x16 DIN7991 micro	3
29	048982	ZB Rubber clutch	1

2 Handle



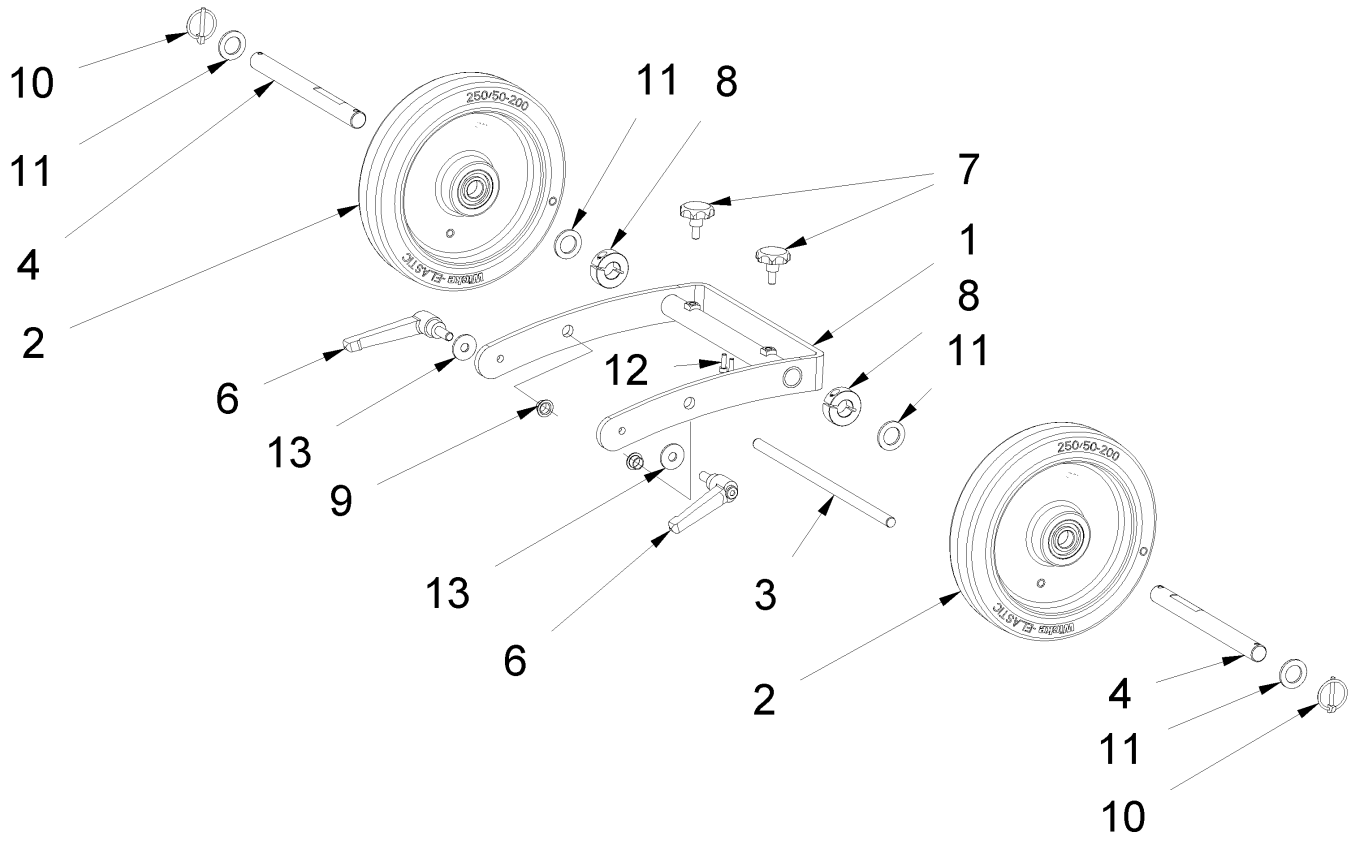
2 Handle

Item no.	Article no.	Description	Quantity
1	077029	SG Handle NEO 400	1
2	077166	Handle NEO 400	1
3	077761	Lock nut M16x1,5 DIN 439	1
4	072136	Gas pressure spring DSW400	1
5	077130	Trigger head NEO 400	1
6	077139	Socket NEO 400	1
7	077131	Bushing 38*35*M16*1.5 NEO 400	1
8	060733	Bearing damper Mambo Evo/Spider	1
9	077176	Pressing button long NEO 400	1
10	077190	Clamb GN231-B25-1-BL	2
11	077159	Electrical plug/wall 16A 5p.6h	1
12	107303	Label protective glove	1
13	146823	Label Respiratory protection	1
14	081841	Axle tube verzinkt 21,8x8x6,2	1
15	014860	Schnorr Washer M8	8
16	014816	Hexagon nut M8 DIN 985	4
17	077260	Lens head screw M 8x60	4
18	047385	Lens head screw M8x20	4
19	014720	Cylinder head screw M5x20 DIN 912	4
20	014814	Stop hexagon nut M5 DIN 985	4
21	014858	Schnorr washer M5	4
22	062844	Lens head screw M 6x30 ISO 7380	1
23	118141	Label Wolff 3D d80mm	1
24	017459	label safety ear and eye	1
25	078389	Camp f.key SW 5	1
26	017678	Cylinder head screw M6x30 DIN 912	1
27	014859	Schnorr washer M6	2
28	014815	Hexagon nut M6 DIN985	2
29	017741	Washer M14 DIN 125	1
30	014956	Hexagonal screw key SW5 DIN 911	1
31	079643	Protective clip NEO 400	1
32	018767	Stopper 40,0x20 x14,5 black	2
33	019090	Bushing BB 1209 DU	4
34	145873	Label Check Phase rotation	1

2 Handle

Item no.	Article no.	Description	Quantity
35	146250	Label ON/OFF NEO 400	1
36	080076	Tension ring slitted Ø 12	2
37	014833	Washer 13 DIN 433	6
38	078118	Dust extraction hose Ø 50mm NEO 400	1
39	013445	Hose clamp, 40-60mm	2

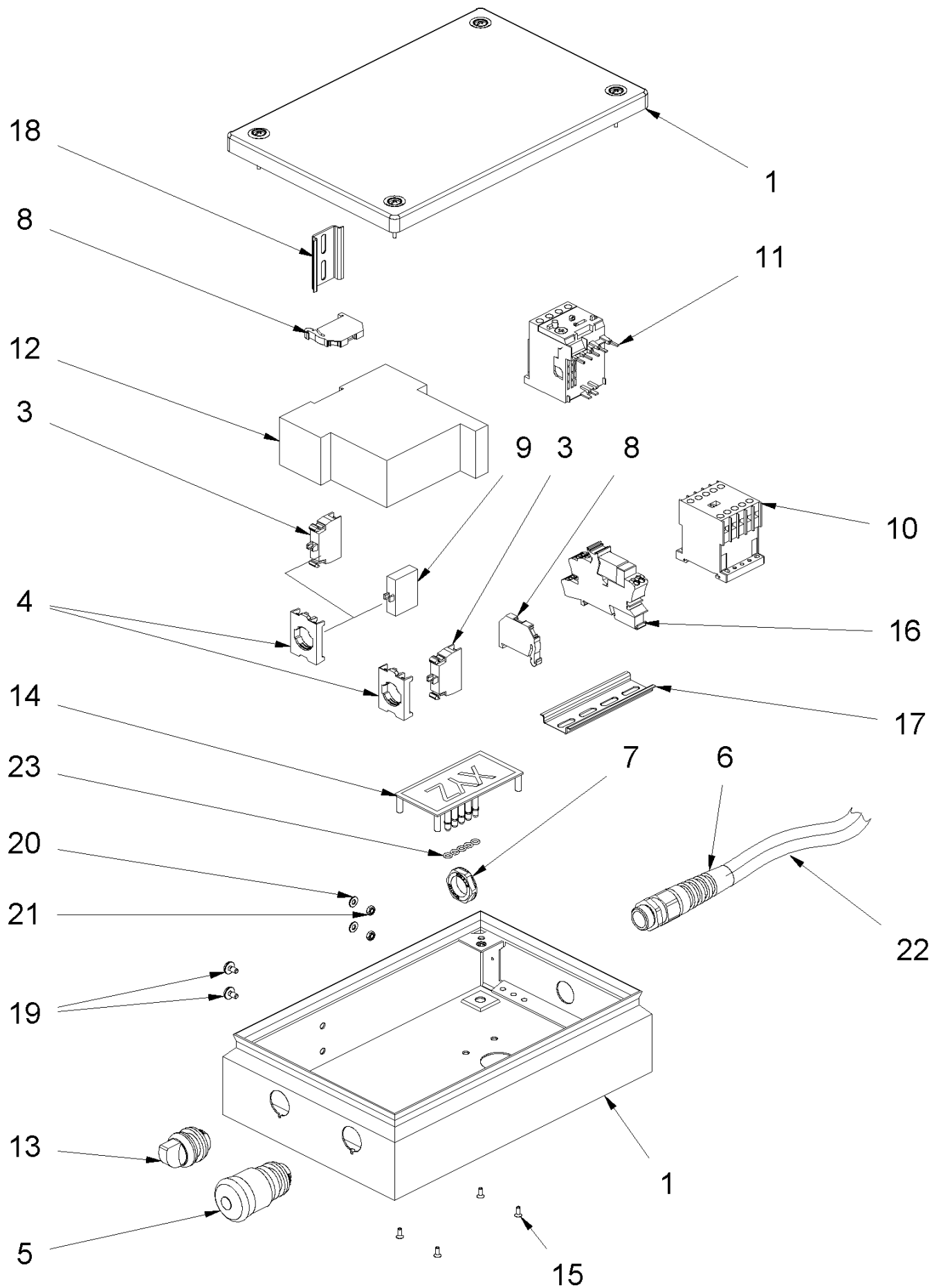
3 Carriage



3 Carriage

Item no.	Article no.	Description	Quantity
1	077038	SG Clip f.transport castors NEO 400	1
2	077132	Wheel NEO 400	2
3	077137	Stalk axis d12 NEO 400	1
4	077138	Axle chassis d20 NEO 400	2
6	083466	Clamp lever GN 300-92 M10-25-SW	2
7	080375	Star grip bolt M8x16	2
8	077238	Tension ring 20	2
9	019090	Bushing BB 1209 DU	2
10	014888	Wheel pin 4,2mm galv.	2
11	077261	Washer 13 DIN 433	4
12	017610	Cylinder head screw M5x16 DIN 912	2
13	018236	Washer 10.5 DIN 9021	2

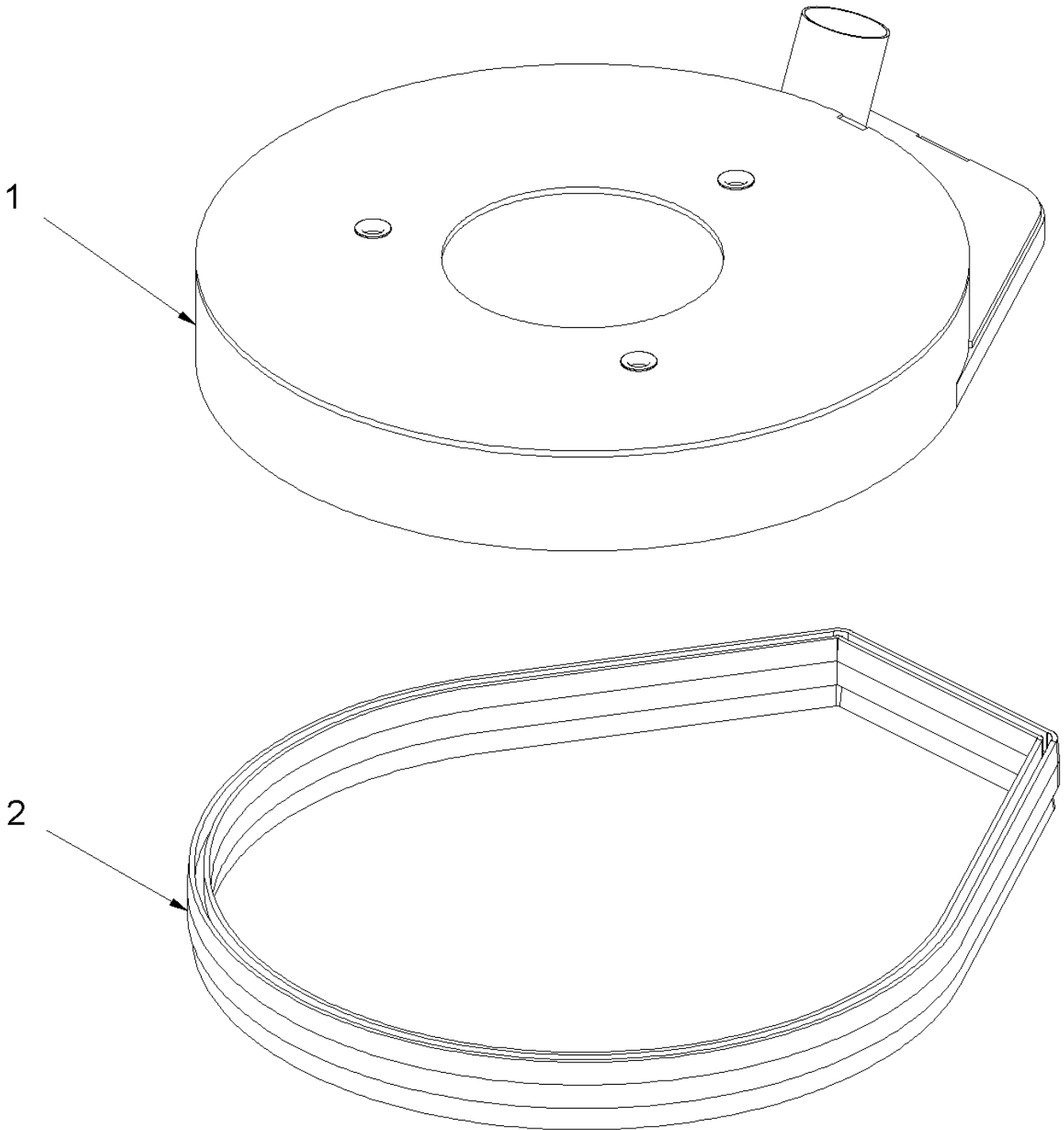
4 Terminal box



4 Terminal box

Item no.	Article no.	Description	Quantity
1	078087	Terminal box NEO 400	1
3	017507	Contact element open NC	2
4	017503	Adapterattachment	2
5	052443	Safety switch	1
6	039190	Screw connection w.bending prot.M20x1,5	1
7	047935	Nut PE M20x1,5	1
8	071895	Top hat rail unclamp 6mm	2
9	017505	Contact element shut NO	1
10	071318	Contacteur 230V	1
11	077268	Motor protection relay	1
12	081973	Soft Starter 5,5kW	1
13	077257	Selection button M22 / 3 positions	1
14	078122	LED display NEO 400	1
15	066725	Countersunk screw M 3x 8 ISO 14581	4
16	078123	Relais NEO 400	1
17	068023	Top hat rail 100 mm	1
18	020969	Top hat rail 50 mm	1
19	056488	Lens head screw M4x 8	2
20	017452	Washer M4 DIN 125 B	2
21	017630	Hexagon nut M 4 DIN 934	2
22	077212	Control wire NEO 400	1
23	080066	O-Ring 4,5x1,5	5

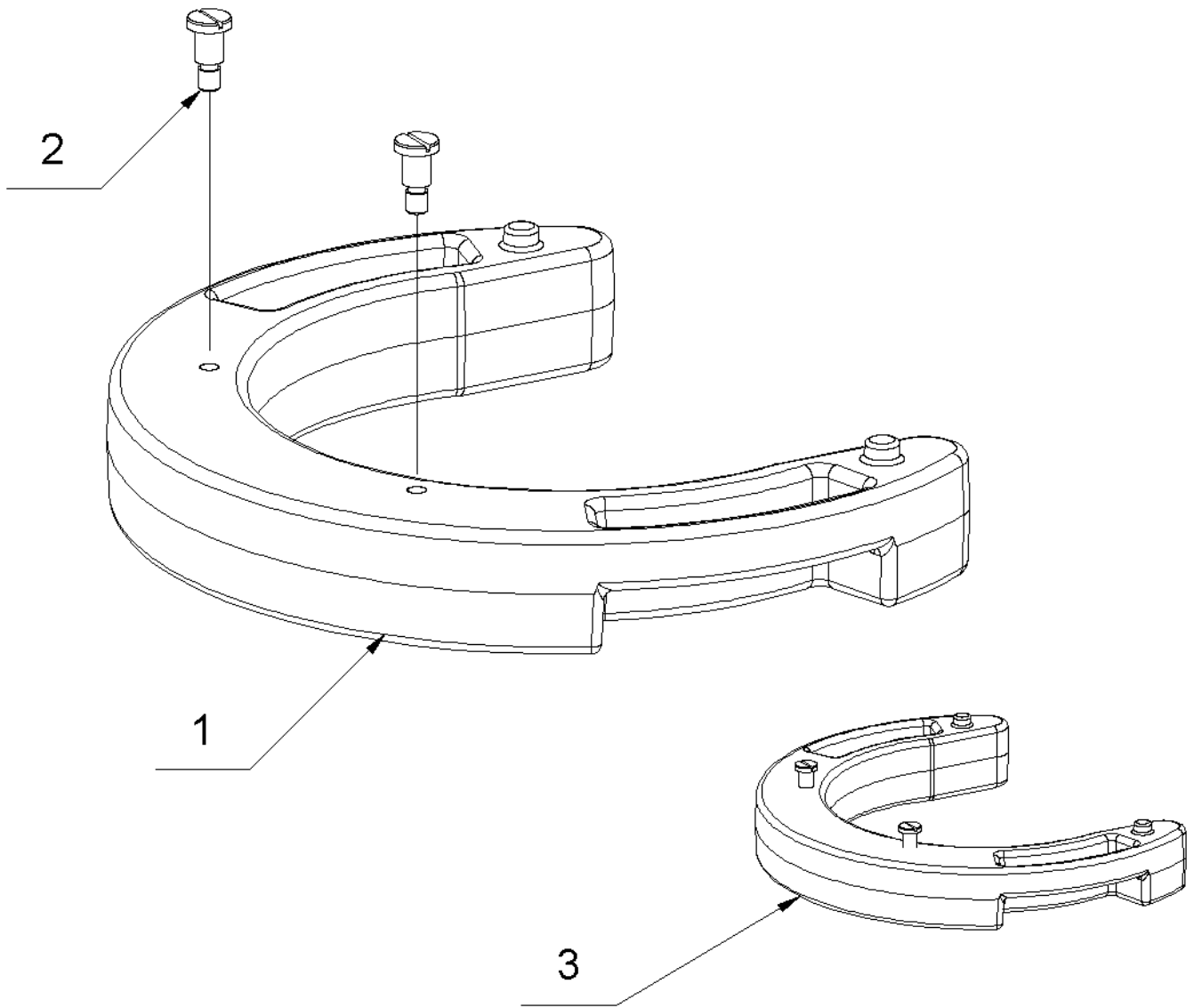
5 Dust seal



5 Dust seal

Item no.	Article no.	Description	Quantity
1	083048	Dust seal S002	1
2	077175	Brush below NEO 400	1

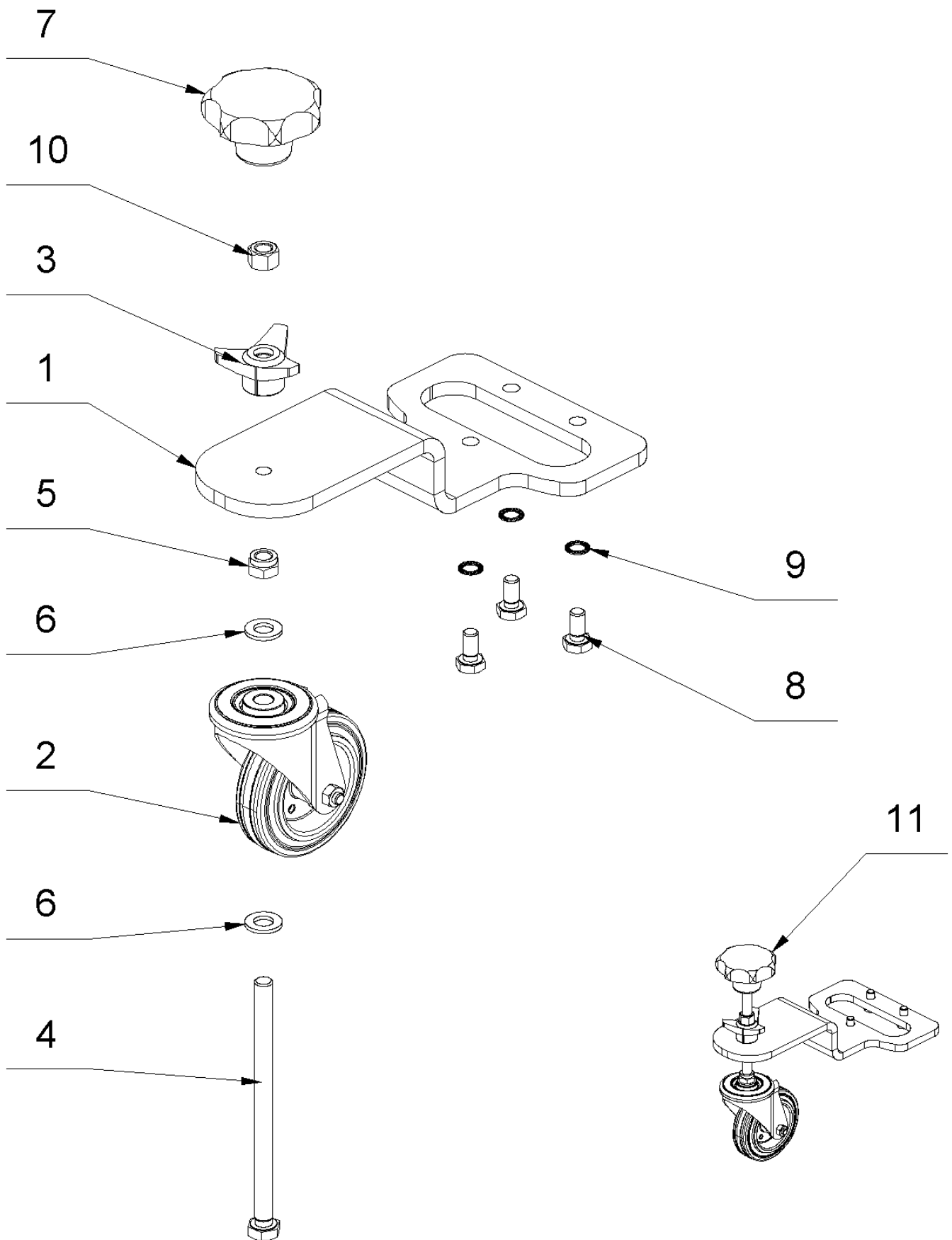
6 Additional weight



6 Additional weight

Item no.	Article no.	Description	Quantity
1	072148	Additional weight 400	1
2	072156	Flat head screw M10x16 DIN 923	2
3	072225	ADDITIONAL WEIGHT 400	1

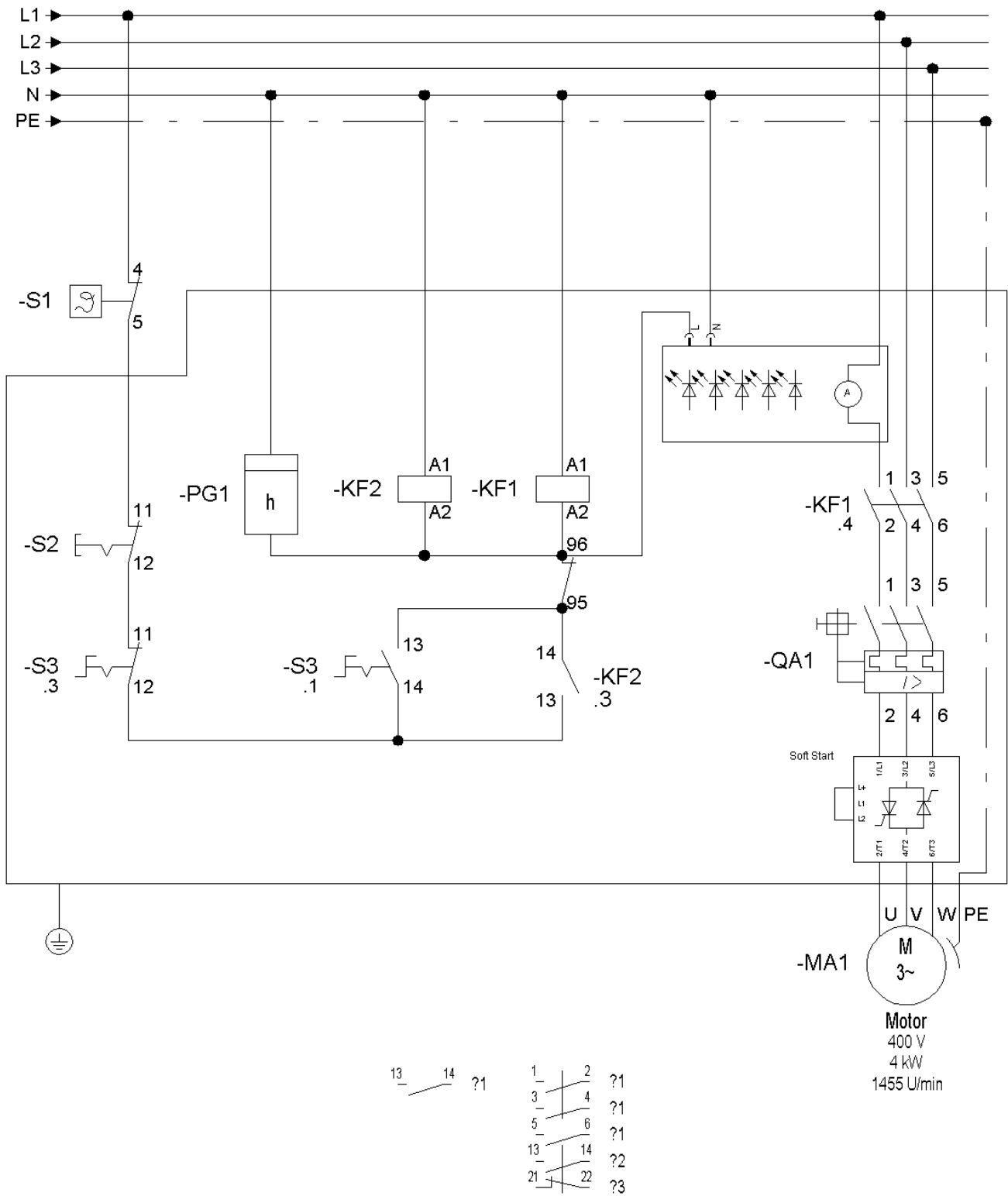
7 Supporting role



7 Supporting role

Item no.	Article no.	Description	Quantity
1	083043	Outriggers for support wheel NEO 400	1
2	083171	Caster Neo 400	1
3	082969	Three-star grip M12	1
4	083495	Hexagon head screw M12x180 8.8 vz.DIN933	1
5	018770	El.stop-nut M12 DIN 985	1
6	014830	Washer M12 DIN 125 A	2
7	074887	Star handle M12 DIN 6336	1
8	083696	Hexagonal screw M 10x20 DIN933 8.8 vz.	3
9	014861	Washer M10	3
10	018663	Hexagon nut M12 DIN 934	1
11	083702	Supporting wheel complete NEO 400	1

8 Circuit diagram



8 Circuit diagram

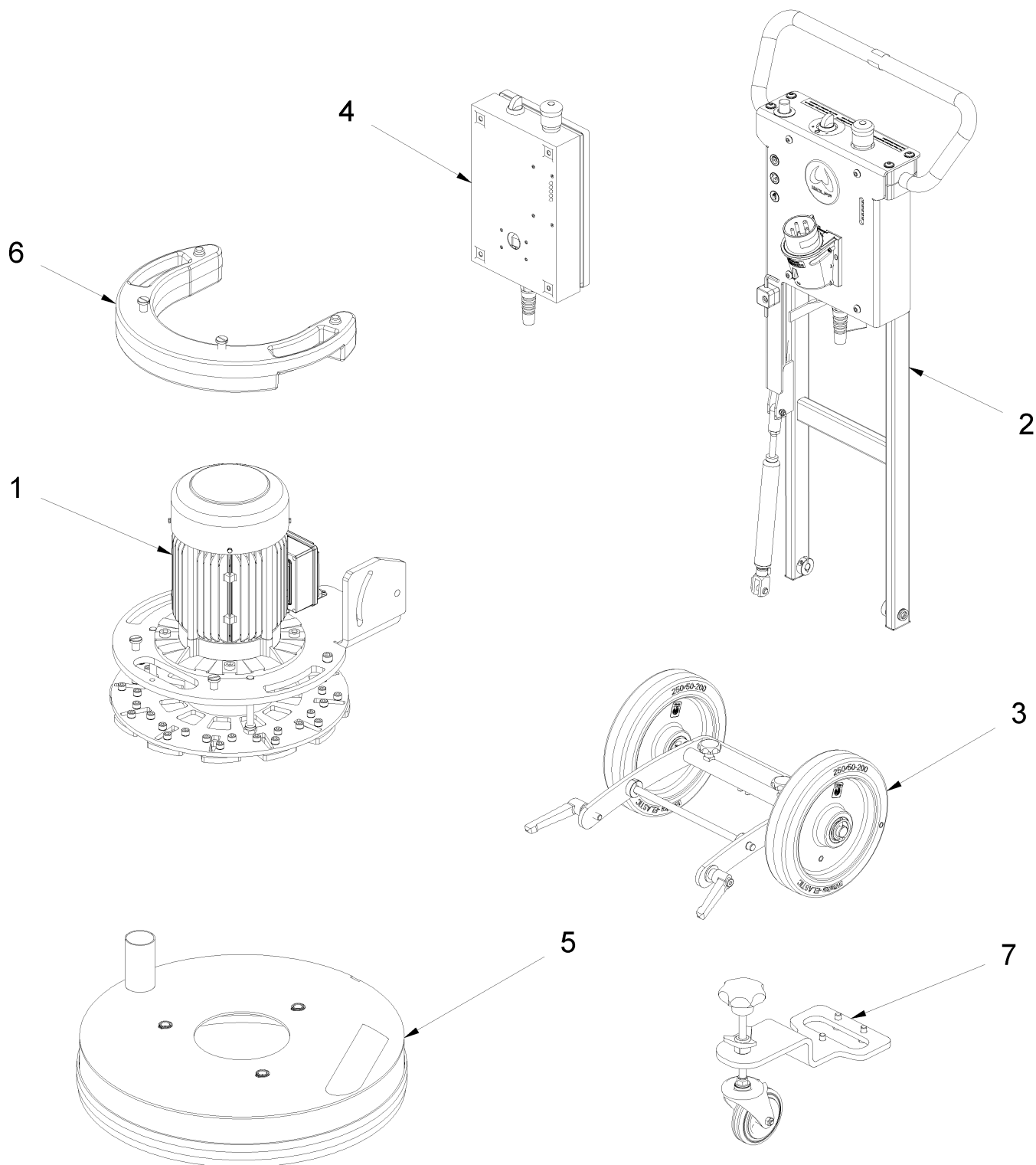
9 Tool kit

Item no.	Article no.	Description	Quantity
1	054064	Tool bag green - Wolff	1
2	015315	Hearing protectors	1
3	015316	Protective goggles	1
4	078116	Technical instructions NEO 400 3-spr	1
5	078117	Spare part list NEO 400	1
6	016732	Fine dust mask Gecko/URS/Cobra	1
7	015809	Safety gloves 1 pair	1
8	080208	Plastic hammer 35mm	1

10 Accessories

Item no.	Article no.	Description	Quantity
1	064194	Water level 230mm	1
2	080208	Plastic hammer 35mm	1
3	015960	Extension cord 25m 400V 16A CEKON	1

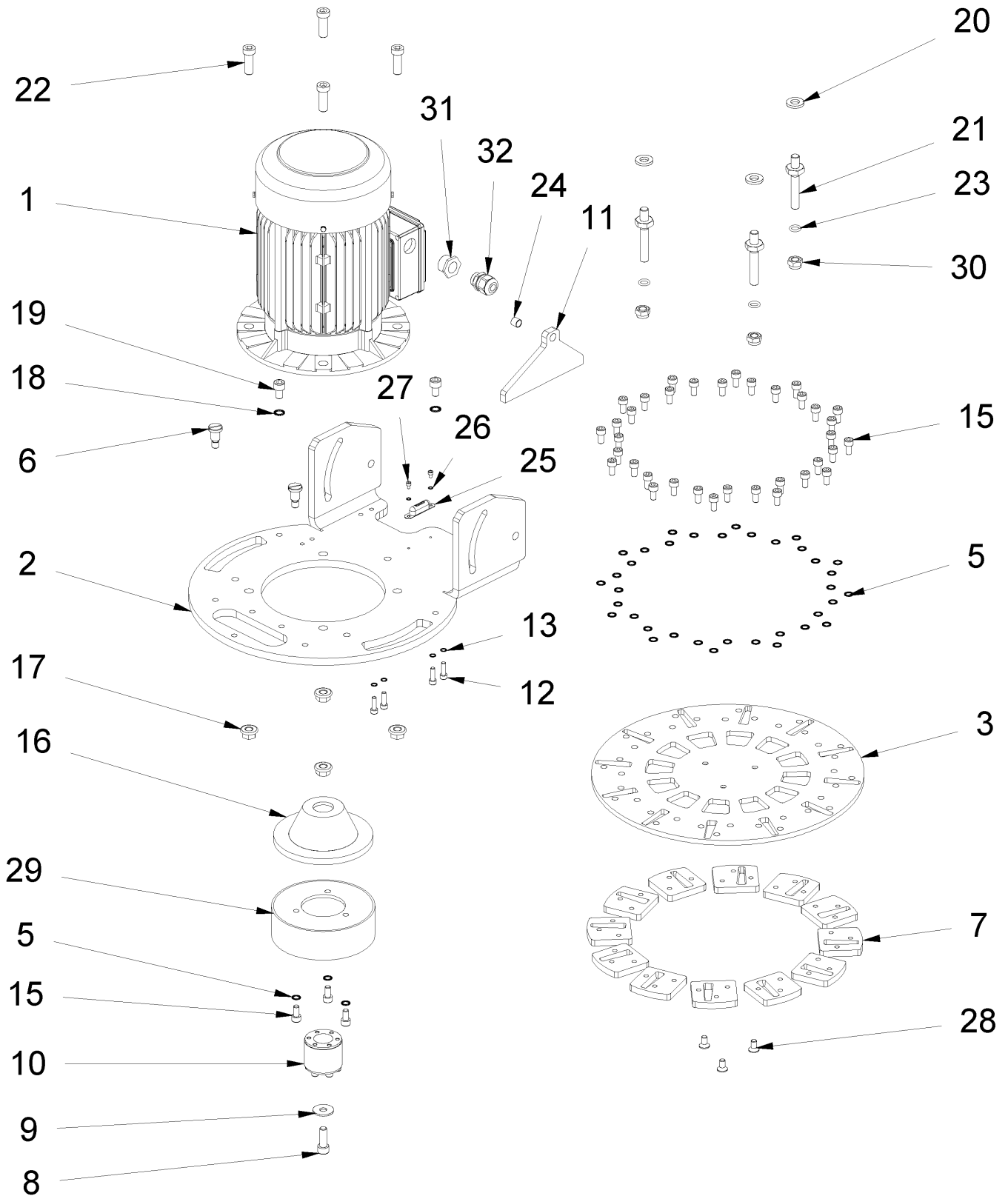
3 NEO400 (0053/2017-0081/2018)



3 NEO400 (0053/2017-0081/2018)

Item no.	Article no.	Description
1	03_01_078100	Motor
2	03_02_078099	Handle
3	02_03_078102	Carriage
4	01_04_078101	Terminal box
5	03_05_084754	Dust seal
6	01_03_072225	Additional weight
7	02_07_083702	Supporting role
8	01_08_076970	Circuit diagram
9	01_09_076970	Tool kit
10	01_10_076970	Accessories

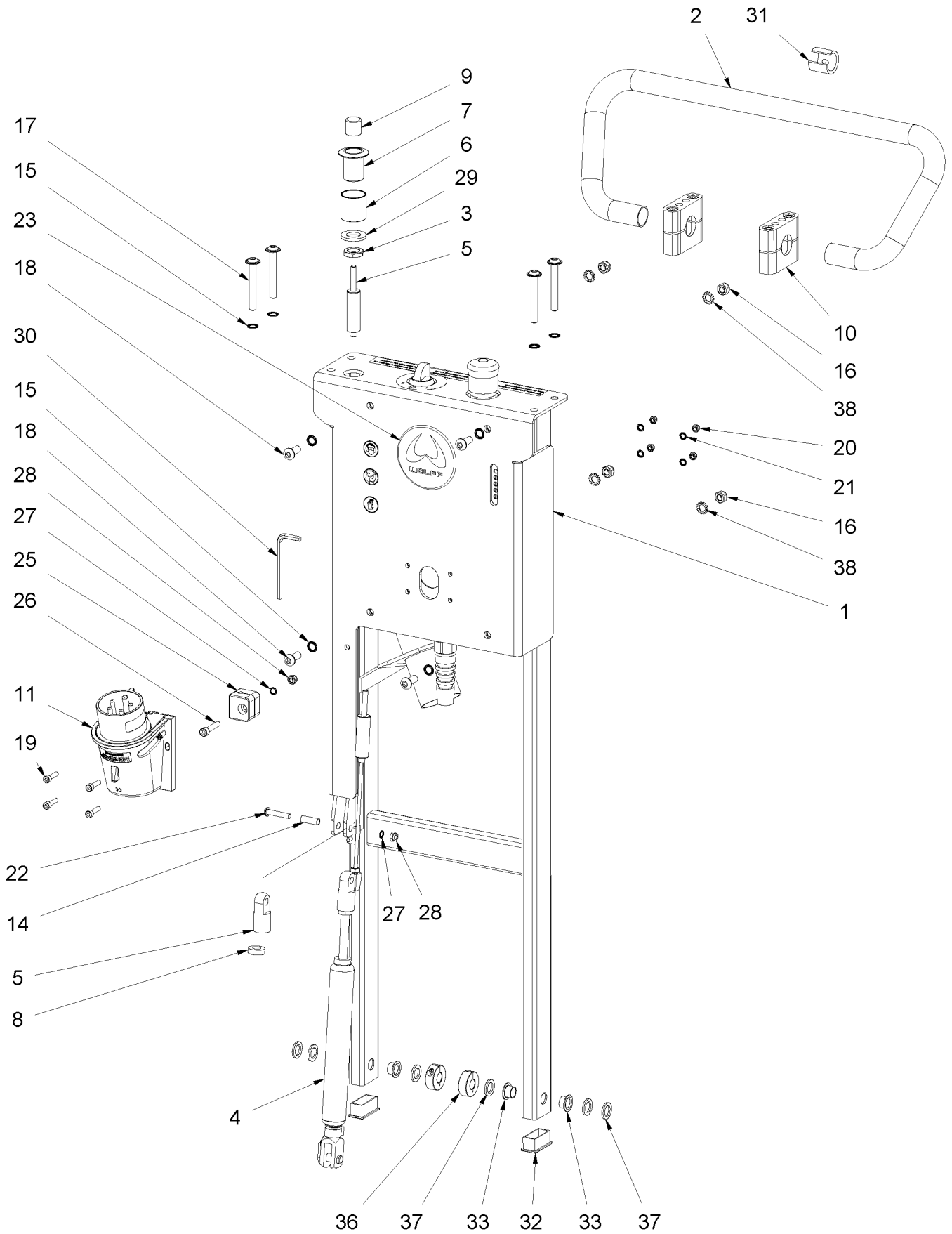
1 Motor



1 Motor

Item no.	Article no.	Description	Quantity
1	076957	Motor 4kW 400V 1500U/min NEO 400	1
2	083041	Console NEO 400	1
3	077180	Segment plate 12fach NEO 400	1
5	014860	Schnorr Washer M8	39
6	072156	Flat head screw M10x16 DIN 923	2
7	048744	Segment holder	12
8	018300	Cylinder head screw M10x30 DIN 912	1
9	018236	Washer 10.5 DIN 9021	1
10	080395	Clamping sleeve 28x55x45	1
11	083050	Rippe für Konsole	1
12	014730	Cylinder head screw M 6x20 DIN 912	4
13	014859	Schnorr washer M6	4
15	017651	Cylinder head screw M8x16 DIN 912	39
16	077173	Coupling flange NEO 400	1
17	083420	Hexagon nut M12 DIN 6923	7
18	014861	Washer M10	2
19	014740	Cylinder head screw M10x16 DIN 912 10.9	2
21	088580	Stud bolt M12x70 DIN 939-10.9	3
22	016449	Cylinder head screw M12x30 DIN 6912	4
23	017761	O-Ring 11x3	3
24	014912	Bushing 1010	1
25	081698	Longitudinal Dragonfly NEO 230/400	1
26	016961	Snorr washer M4	2
27	081714	Cylinder head screw M 4X6 DIN 912	2
28	014764	Countersunk screw M8x16 DIN7991 micro	3
29	048982	ZB Rubber clutch	1
30	018770	El.stop-nut M12 DIN 985	3
31	085602	Cable connection reduc. M25x1,5 /M20x1,5	1
32	051948	Cable gland M20x1.5	1

2 Handle



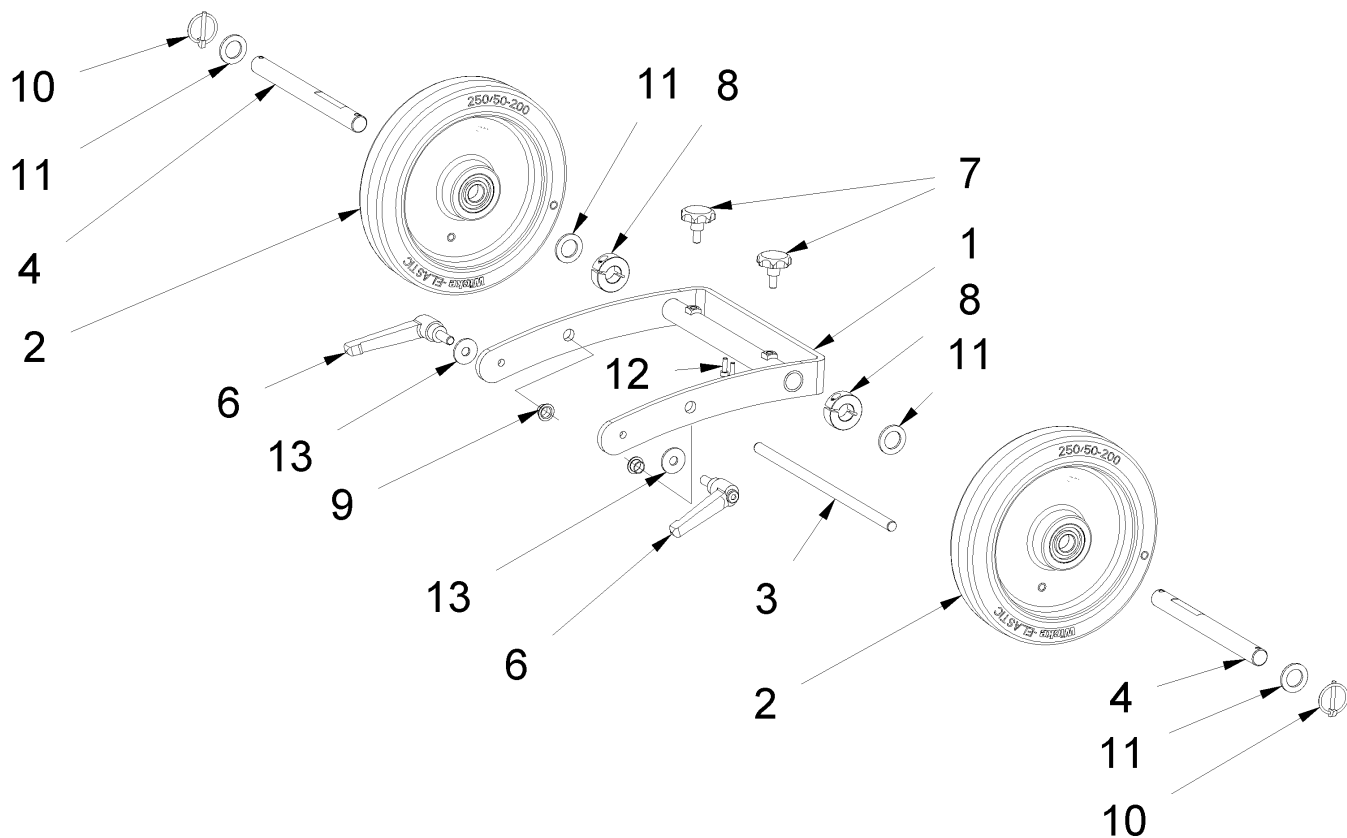
2 Handle

Item no.	Article no.	Description	Quantity
1	077029	SG Handle NEO 400	1
2	077166	Handle NEO 400	1
3	077761	Lock nut M16x1,5 DIN 439	1
4	072136	Gas pressure spring DSW400	1
5	077130	Trigger head NEO 400	1
6	077139	Socket NEO 400	1
7	077131	Bushing 38*35*M16*1.5 NEO 400	1
8	060733	Bearing damper Mambo Evo/Spider	1
9	077176	Pressing button long NEO 400	1
10	077190	Clamb GN231-B25-1-BL	2
11	077159	Electrical plug/wall 16A 5p.6h	1
12	107303	Label protective glove	1
13	146823	Label Respiratory protection	1
14	081841	Axle tube verzinkt 21,8x8x6,2	1
15	014860	Schnorr Washer M8	8
16	014816	Hexagon nut M8 DIN 985	4
17	077260	Lens head screw M 8x60	4
18	047385	Lens head screw M8x20	4
19	014720	Cylinder head screw M5x20 DIN 912	4
20	014814	Stop hexagon nut M5 DIN 985	4
21	014858	Schnorr washer M5	4
22	062844	Lens head screw M 6x30 ISO 7380	1
23	118141	Label Wolff 3D d80mm	1
24	017459	label safety ear and eye	1
25	078389	Camp f.key SW 5	1
26	017678	Cylinder head screw M6x30 DIN 912	1
27	014859	Schnorr washer M6	2
28	014815	Hexagon nut M6 DIN985	2
29	017741	Washer M14 DIN 125	1
30	014956	Hexagonal screw key SW5 DIN 911	1
31	079643	Protective clip NEO 400	1
32	018767	Stopper 40,0x20 x14,5 black	2
33	019090	Bushing BB 1209 DU	4
34	145873	Label Check Phase rotation	1

2 Handle

Item no.	Article no.	Description	Quantity
35	146250	Label ON/OFF NEO 400	1
36	080076	Tension ring slitted Ø 12	2
37	014833	Washer 13 DIN 433	6
38	016321	Spring washer A 8,4 DIN 6798	4

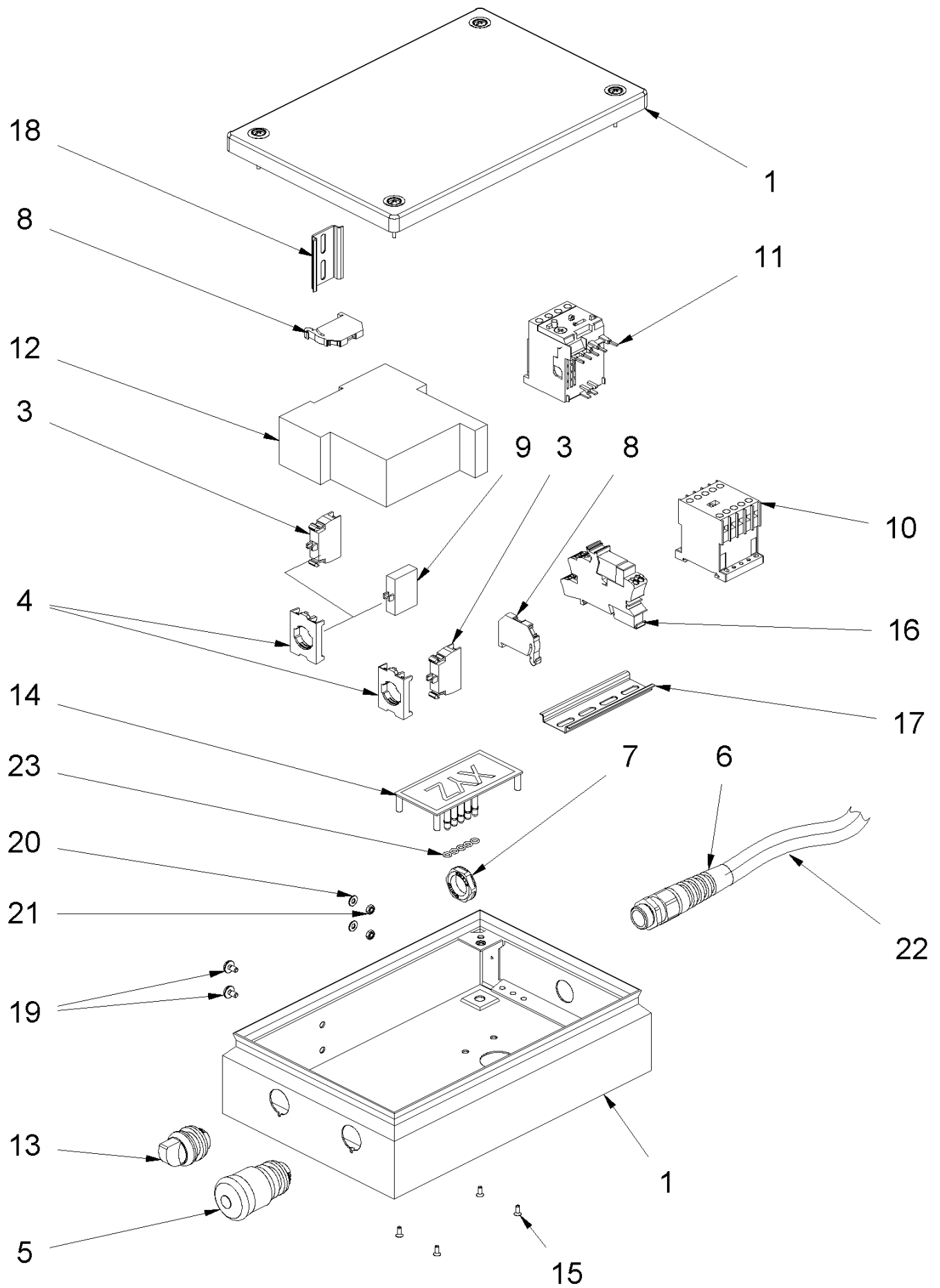
3 Carriage



3 Carriage

Item no.	Article no.	Description	Quantity
1	077038	SG Clip f.transport castors NEO 400	1
2	077132	Wheel NEO 400	2
3	077137	Stalk axis d12 NEO 400	1
4	077138	Axle chassis d20 NEO 400	2
6	083466	Clamp lever GN 300-92 M10-25-SW	2
7	080375	Star grip bolt M8x16	2
8	077238	Tension ring 20	2
9	019090	Bushing BB 1209 DU	2
10	014888	Wheel pin 4,2mm galv.	2
11	077261	Washer 13 DIN 433	4
12	017610	Cylinder head screw M5x16 DIN 912	2
13	018236	Washer 10.5 DIN 9021	2

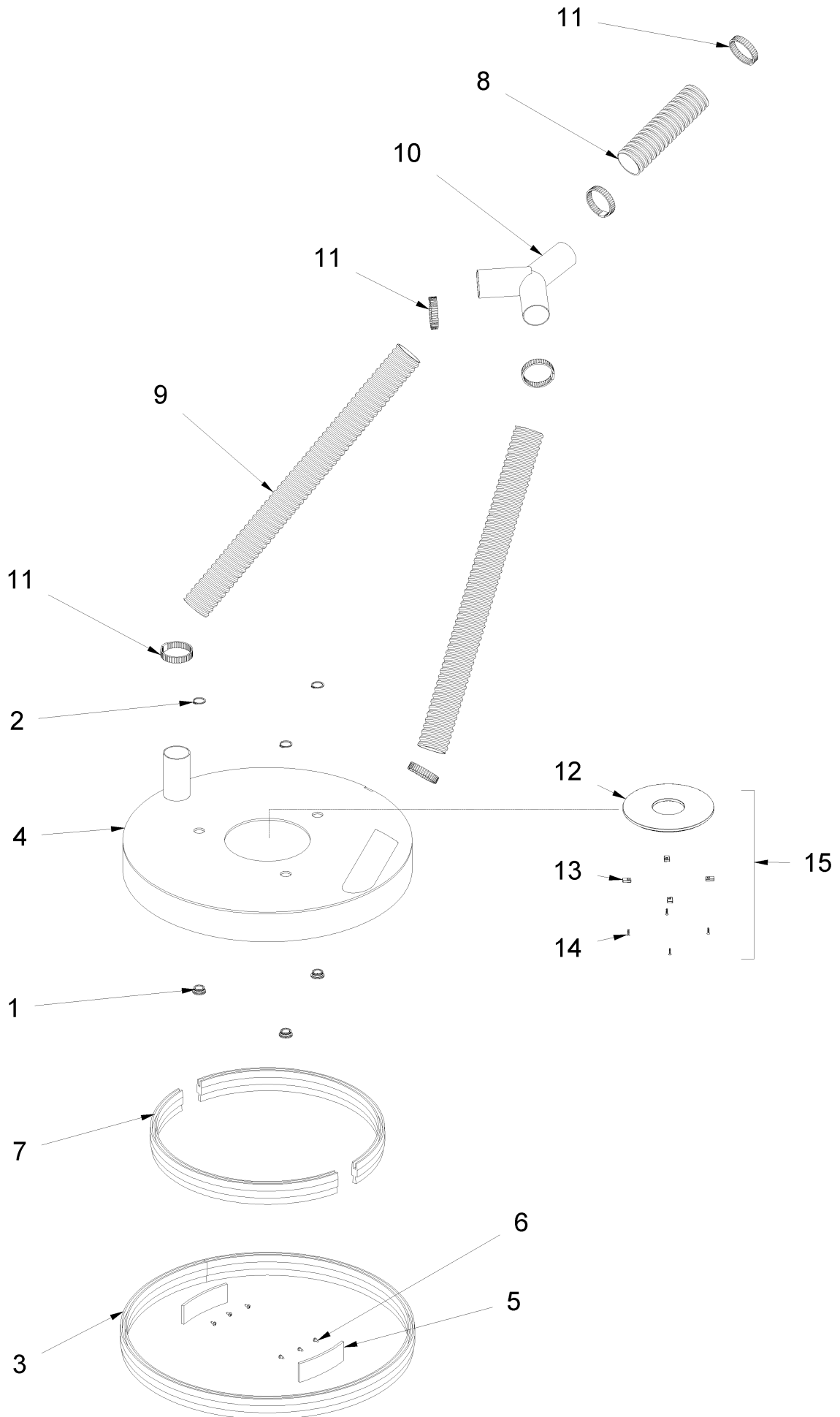
4 Terminal box



4 Terminal box

Item no.	Article no.	Description	Quantity
1	078087	Terminal box NEO 400	1
3	017507	Contact element open NC	2
4	017503	Adapterattachment	2
5	052443	Safety switch	1
6	039190	Screw connection w.bending prot.M20x1,5	1
7	047935	Nut PE M20x1,5	1
8	071895	Top hat rail unclamp 6mm	2
9	017505	Contact element shut NO	1
10	071318	Contacteur 230V	1
11	077268	Motor protection relay	1
12	081973	Soft Starter 5,5kW	1
13	077257	Selection button M22 / 3 positions	1
14	078122	LED display NEO 400	1
15	066725	Countersunk screw M 3x 8 ISO 14581	4
16	078123	Relais NEO 400	1
17	068023	Top hat rail 100 mm	1
18	020969	Top hat rail 50 mm	1
19	056488	Lens head screw M4x 8	2
20	017452	Washer M4 DIN 125 B	2
21	017630	Hexagon nut M 4 DIN 934	2
22	077212	Control wire NEO 400	1
23	080066	O-Ring 4,5x1,5	5

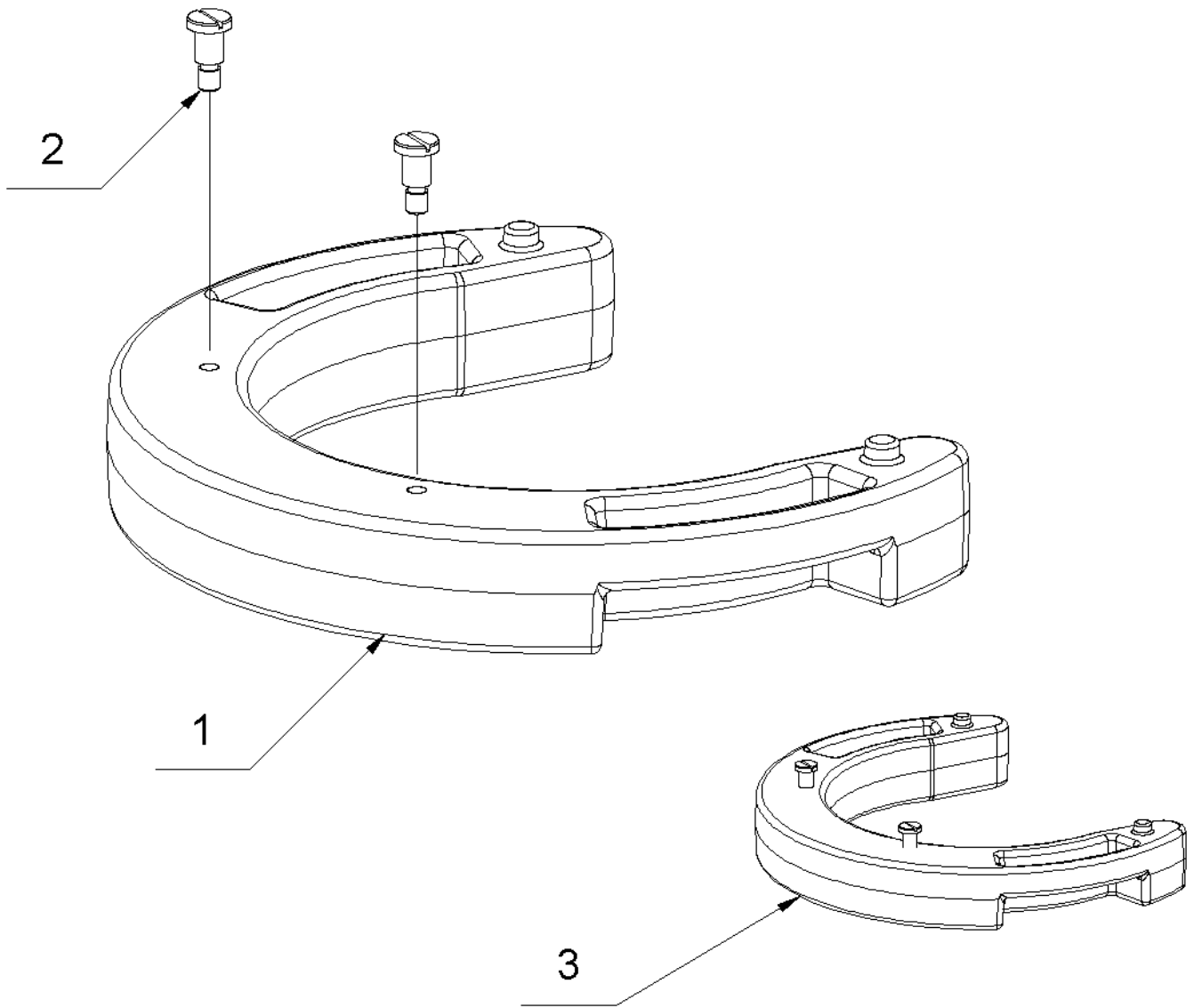
5 Dust seal



5 Dust seal

Item no.	Article no.	Description	Quantity
1	084776	SocketMS NEO 400	3
2	014851	Safety washer A20 DIN 471	3
3	084781	Brush outside, NEO 400	1
4	084780	SG -Dust seal NEO 400 S003	1
5	084786	Rubber Strip NEO 400	2
6	084802	Screw countersunk 4x16	6
7	084782	Brush inside, NEO 400	2
8	084788	Dust extraction Ø50 200mm NEO 400	1
9	084787	Dust extraction hose Ø 50 625 mm NEO 400	2
10	084793	Y- Piece NEO 400	1
11	013445	Hose clamp, 40-60mm	6

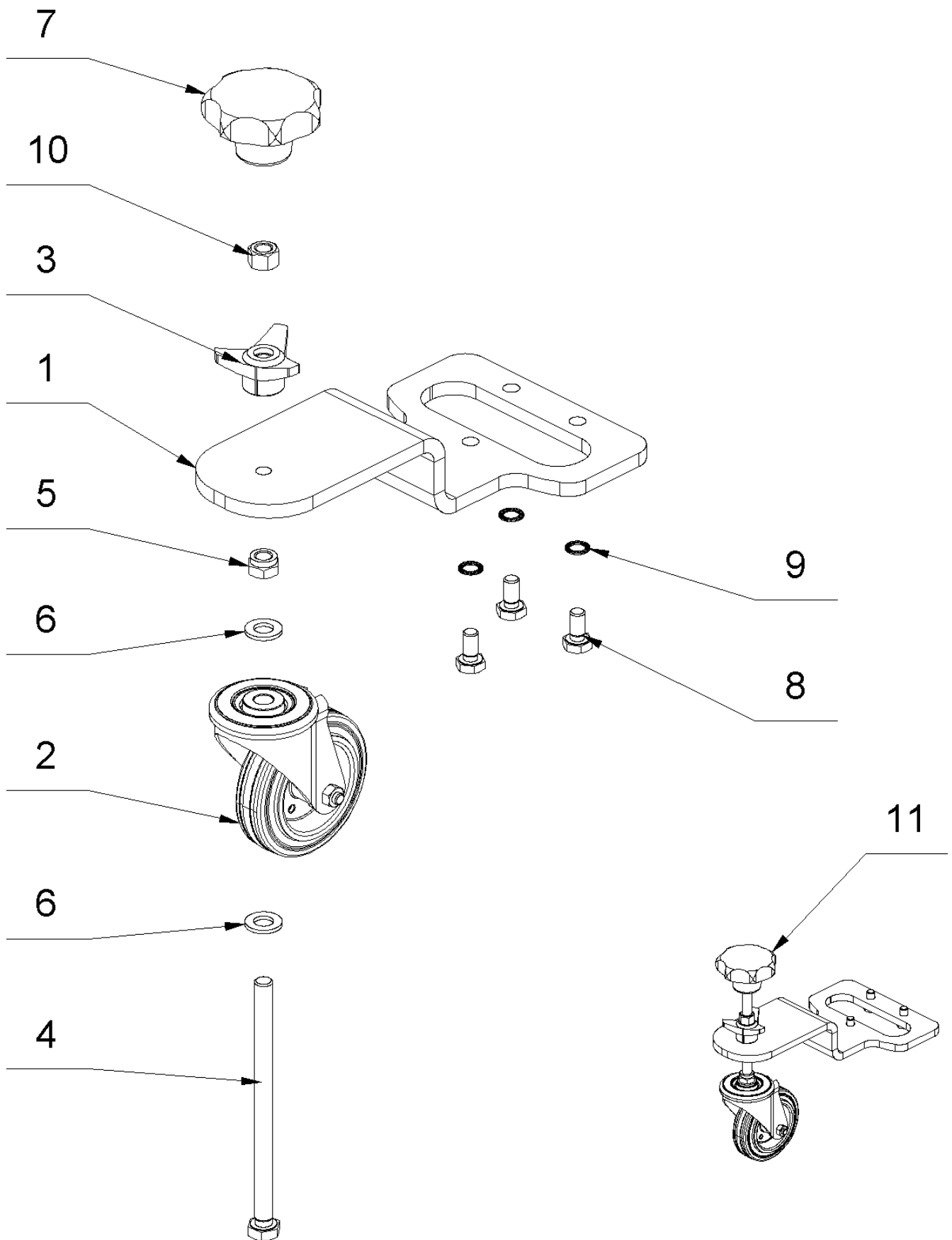
6 Additional weight



6 Additional weight

Item no.	Article no.	Description	Quantity
1	072148	Additional weight 400	1
2	072156	Flat head screw M10x16 DIN 923	2
3	072225	ADDITIONAL WEIGHT 400	1

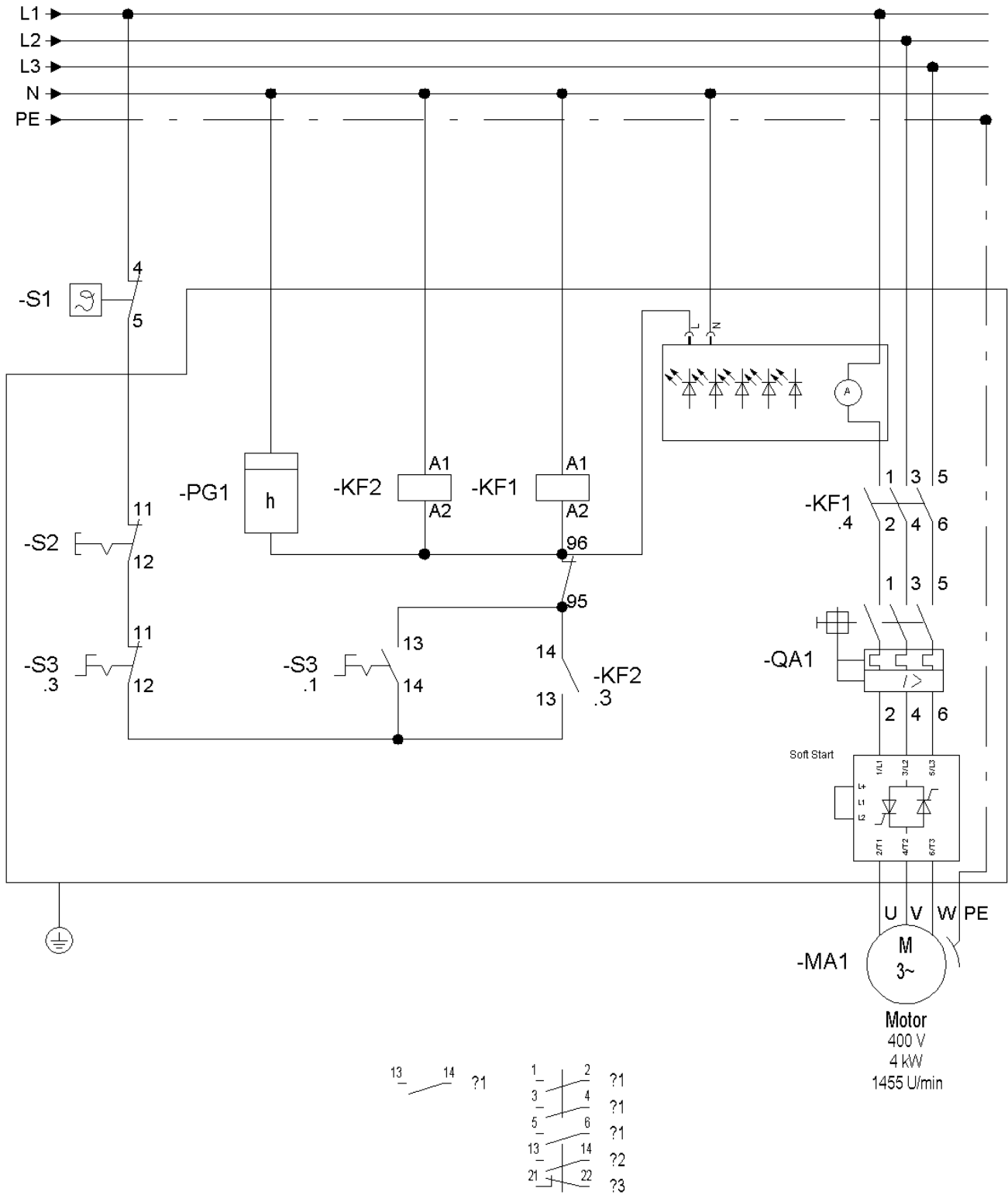
7 Supporting role



7 Supporting role

Item no.	Article no.	Description	Quantity
1	083043	Outriggers for support wheel NEO 400	1
2	083171	Caster Neo 400	1
3	082969	Three-star grip M12	1
4	083495	Hexagon head screw M12x180 8.8 vz.DIN933	1
5	018770	El.stop-nut M12 DIN 985	1
6	014830	Washer M12 DIN 125 A	2
7	074887	Star handle M12 DIN 6336	1
8	083696	Hexagonal screw M 10x20 DIN933 8.8 vz.	3
9	014861	Washer M10	3
10	018663	Hexagon nut M12 DIN 934	1
11	083702	Supporting wheel complete NEO 400	1

8 Circuit diagram



8 Circuit diagram

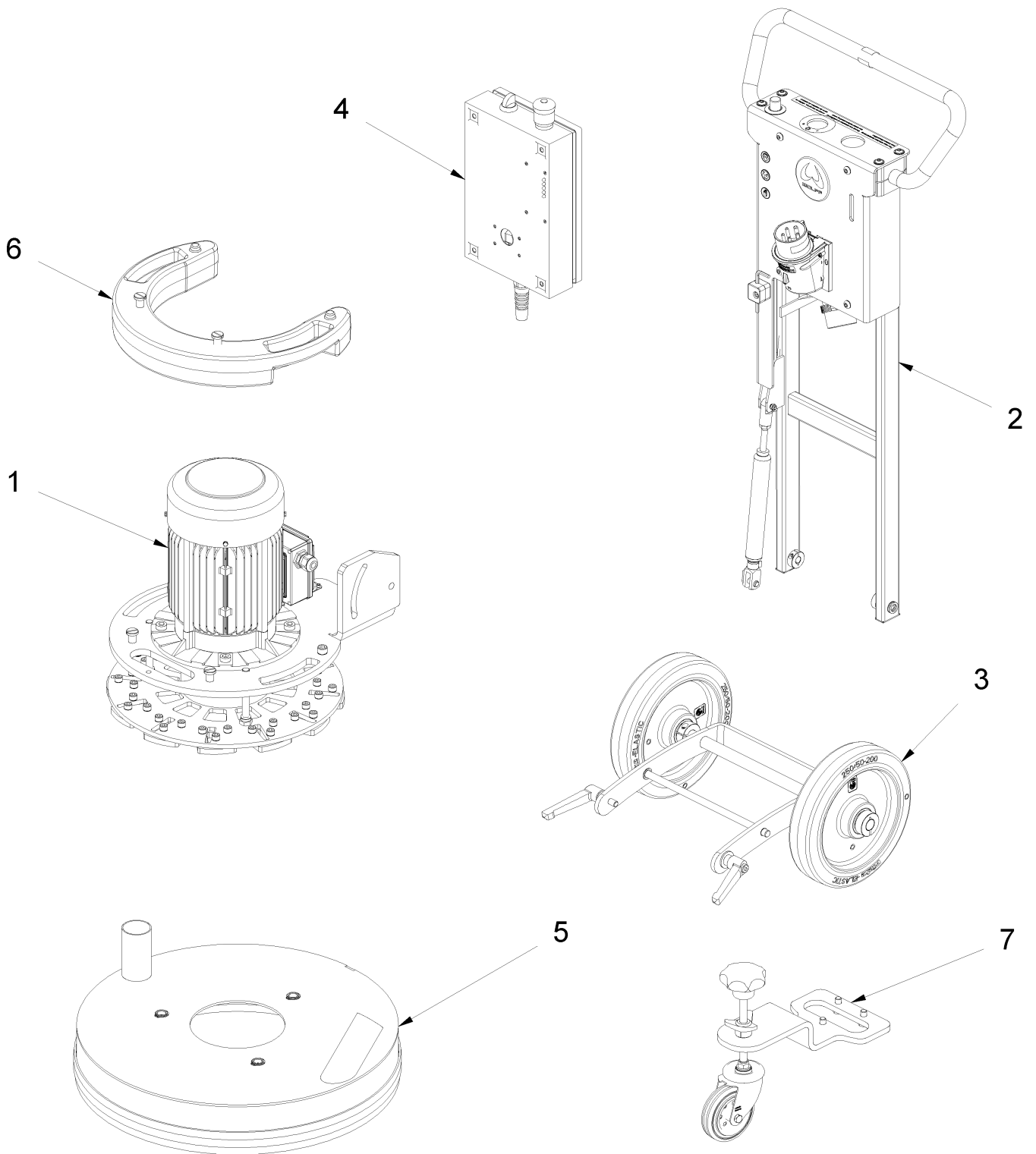
9 Tool kit

Item no.	Article no.	Description	Quantity
1	054064	Tool bag green - Wolff	1
2	015315	Hearing protectors	1
3	015316	Protective goggles	1
4	078116	Technical instructions NEO 400 3-spr	1
5	078117	Spare part list NEO 400	1
6	016732	Fine dust mask Gecko/URS/Cobra	1
7	015809	Safety gloves 1 pair	1
8	080208	Plastic hammer 35mm	1

10 Accessories

Item no.	Article no.	Description	Quantity
1	064194	Water level 230mm	1
2	080208	Plastic hammer 35mm	1
3	015960	Extension cord 25m 400V 16A CEKON	1

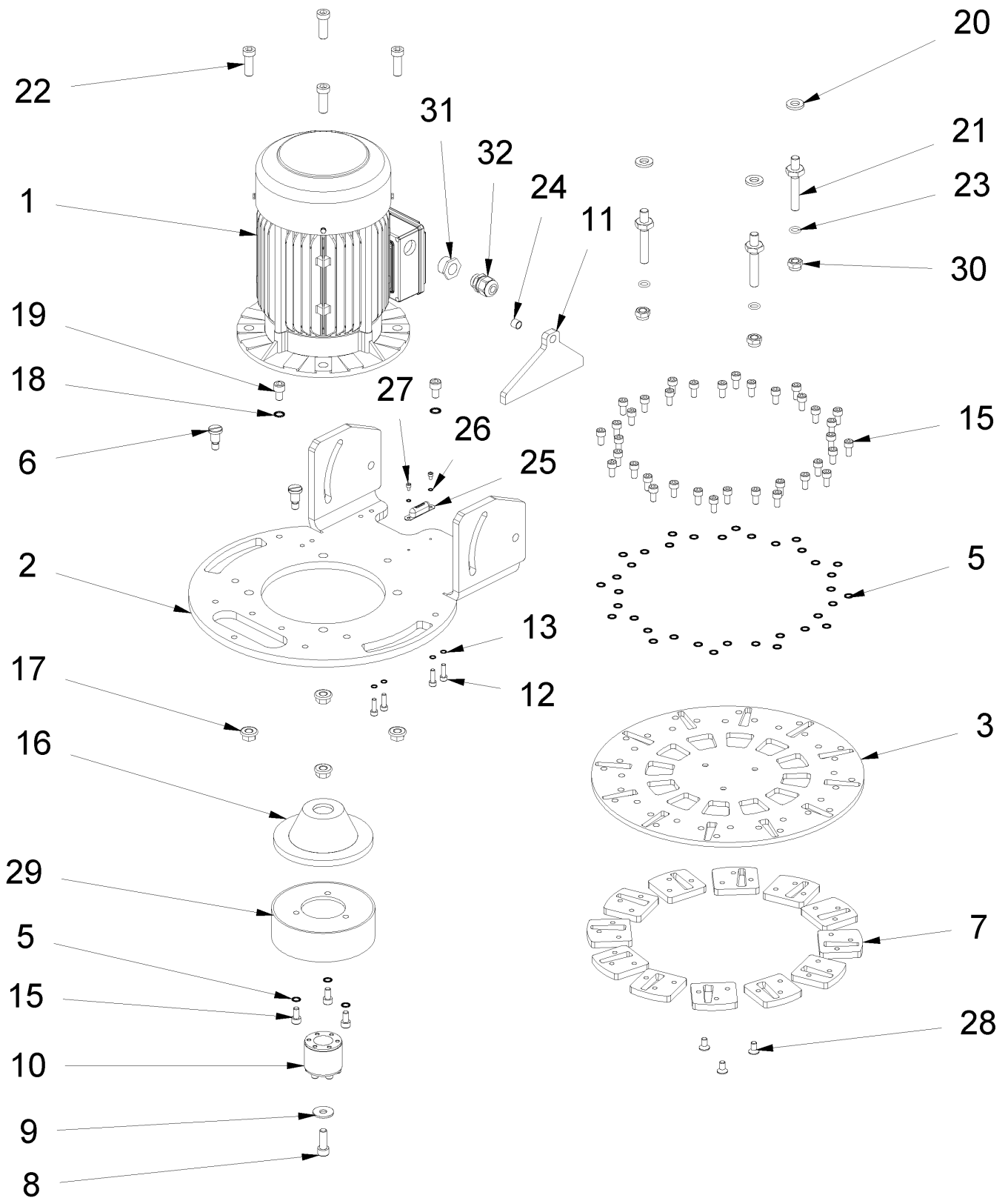
4 NEO400 (0082/2018-0167/2020)



4 NEO400 (0082/2018-0167/2020)

Item no.	Article no.	Description
1	03_01_078100	Motor
2	03_02_078099	Handle
3	04_03_078102	Carriage
4	01_04_078101	Terminal box
5	03_05_084754	Dust seal
6	01_03_072225	Additional weight
7	02_07_083702	Supporting role
8	01_08_076970	Circuit diagram
9	01_09_076970	Tool kit
10	01_10_076970	Accessories

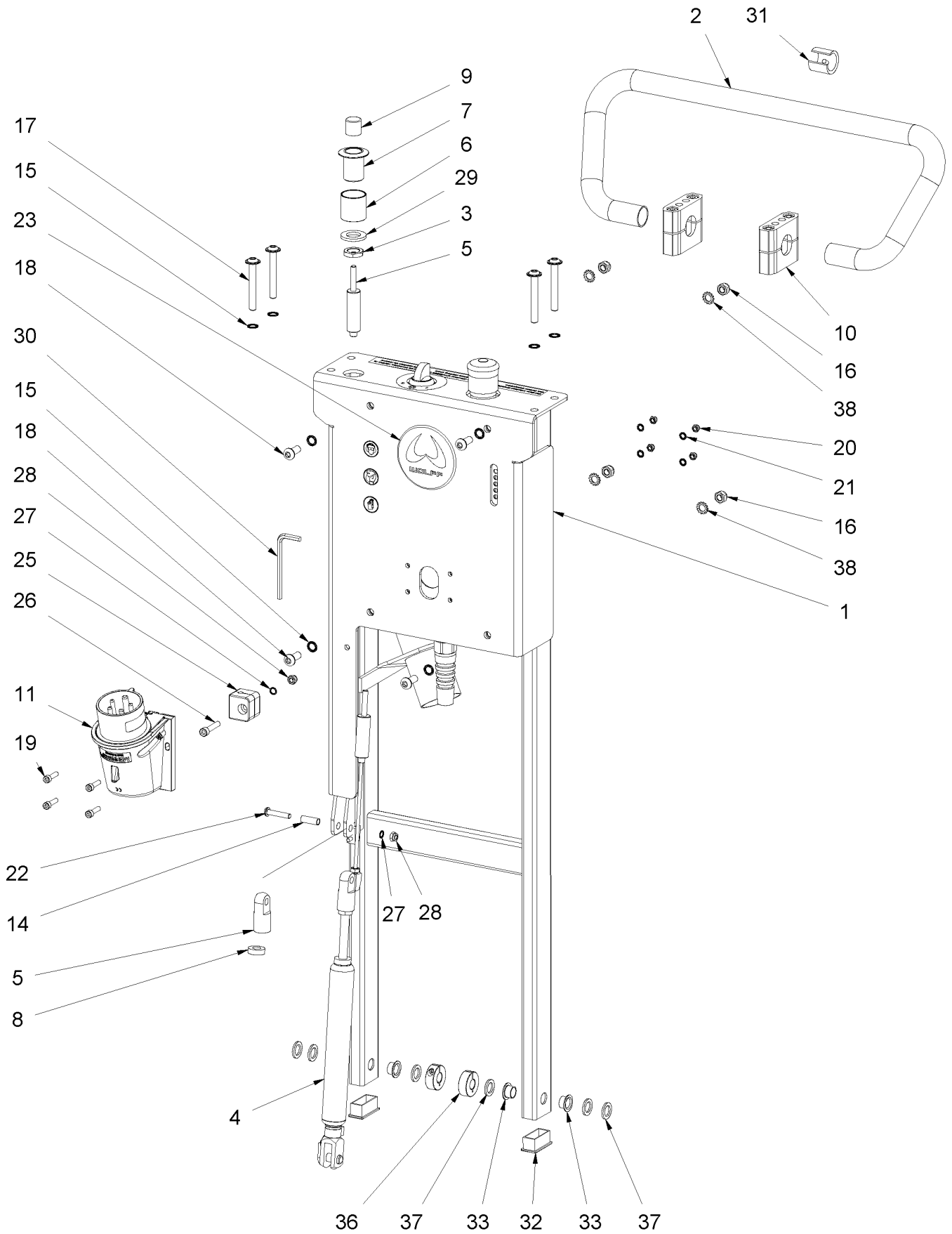
1 Motor



1 Motor

Item no.	Article no.	Description	Quantity
1	076957	Motor 4kW 400V 1500U/min NEO 400	1
2	083041	Console NEO 400	1
3	077180	Segment plate 12fach NEO 400	1
5	014860	Schnorr Washer M8	39
6	072156	Flat head screw M10x16 DIN 923	2
7	048744	Segment holder	12
8	018300	Cylinder head screw M10x30 DIN 912	1
9	018236	Washer 10.5 DIN 9021	1
10	080395	Clamping sleeve 28x55x45	1
11	083050	Rippe für Konsole	1
12	014730	Cylinder head screw M 6x20 DIN 912	4
13	079861	Safety washer M6	4
15	017651	Cylinder head screw M8x16 DIN 912	39
16	077173	Coupling flange NEO 400	1
17	083420	Hexagon nut M12 DIN 6923	7
18	014861	Washer M10	2
19	014740	Cylinder head screw M10x16 DIN 912 10.9	2
21	088580	Stud bolt M12x70 DIN 939-10.9	3
22	016449	Cylinder head screw M12x30 DIN 6912	4
23	017761	O-Ring 11x3	3
24	014912	Bushing 1010	1
25	081698	Longitudinal Dragonfly NEO 230/400	1
26	016961	Snorr washer M4	2
27	081714	Cylinder head screw M 4X6 DIN 912	2
28	014764	Countersunk screw M8x16 DIN7991 micro	3
29	048982	ZB Rubber clutch	1
30	018770	El.stop-nut M12 DIN 985	3
31	085602	Cable connection reduc. M25x1,5 /M20x1,5	1
32	051948	Cable gland M20x1.5	1

2 Handle



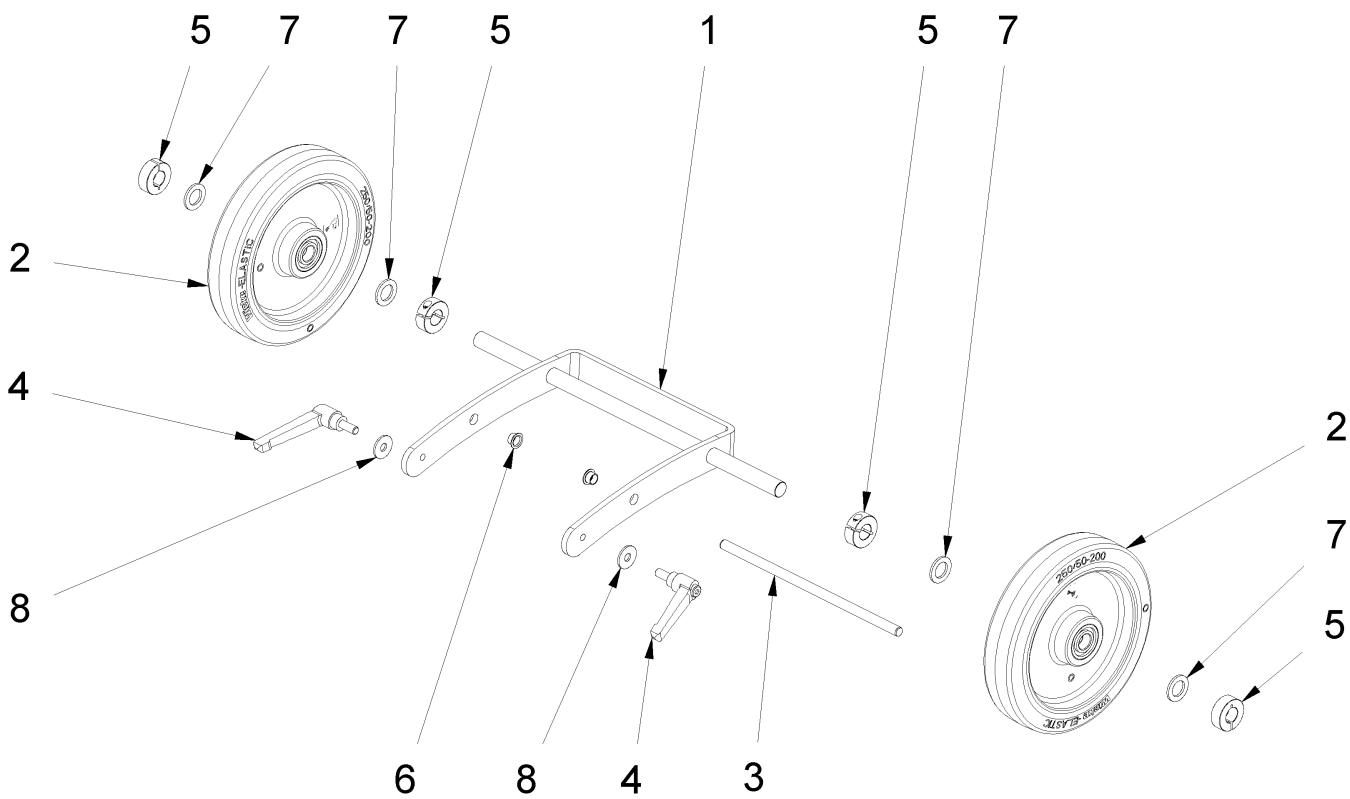
2 Handle

Item no.	Article no.	Description	Quantity
1	077029	SG Handle NEO 400	1
2	077166	Handle NEO 400	1
3	077761	Lock nut M16x1,5 DIN 439	1
4	072136	Gas pressure spring DSW400	1
5	077130	Trigger head NEO 400	1
6	077139	Socket NEO 400	1
7	077131	Bushing 38*35*M16*1.5 NEO 400	1
8	060733	Bearing damper Mambo Evo/Spider	1
9	077176	Pressing button long NEO 400	1
10	077190	Clamb GN231-B25-1-BL	2
11	077159	Electrical plug/wall 16A 5p.6h	1
12	107303	Label protective glove	1
13	146823	Label Respiratory protection	1
14	081841	Axle tube verzinkt 21,8x8x6,2	1
15	014860	Schnorr Washer M8	8
16	014816	Hexagon nut M8 DIN 985	4
17	077260	Lens head screw M 8x60	4
18	047385	Lens head screw M8x20	4
19	014720	Cylinder head screw M5x20 DIN 912	4
20	014814	Stop hexagon nut M5 DIN 985	4
21	014858	Schnorr washer M5	4
22	062844	Lens head screw M 6x30 ISO 7380	1
23	118141	Label Wolff 3D d80mm	1
24	017459	label safety ear and eye	1
25	078389	Camp f.key SW 5	1
26	017678	Cylinder head screw M6x30 DIN 912	1
27	014859	Schnorr washer M6	2
28	014815	Hexagon nut M6 DIN985	2
29	017741	Washer M14 DIN 125	1
30	014956	Hexagonal screw key SW5 DIN 911	1
31	079643	Protective clip NEO 400	1
32	018767	Stopper 40,0x20 x14,5 black	2
33	019090	Bushing BB 1209 DU	4
34	145873	Label Check Phase rotation	1

2 Handle

Item no.	Article no.	Description	Quantity
35	146250	Label ON/OFF NEO 400	1
36	080076	Tension ring slitted Ø 12	2
37	014833	Washer 13 DIN 433	6
38	016321	Spring washer A 8,4 DIN 6798	4

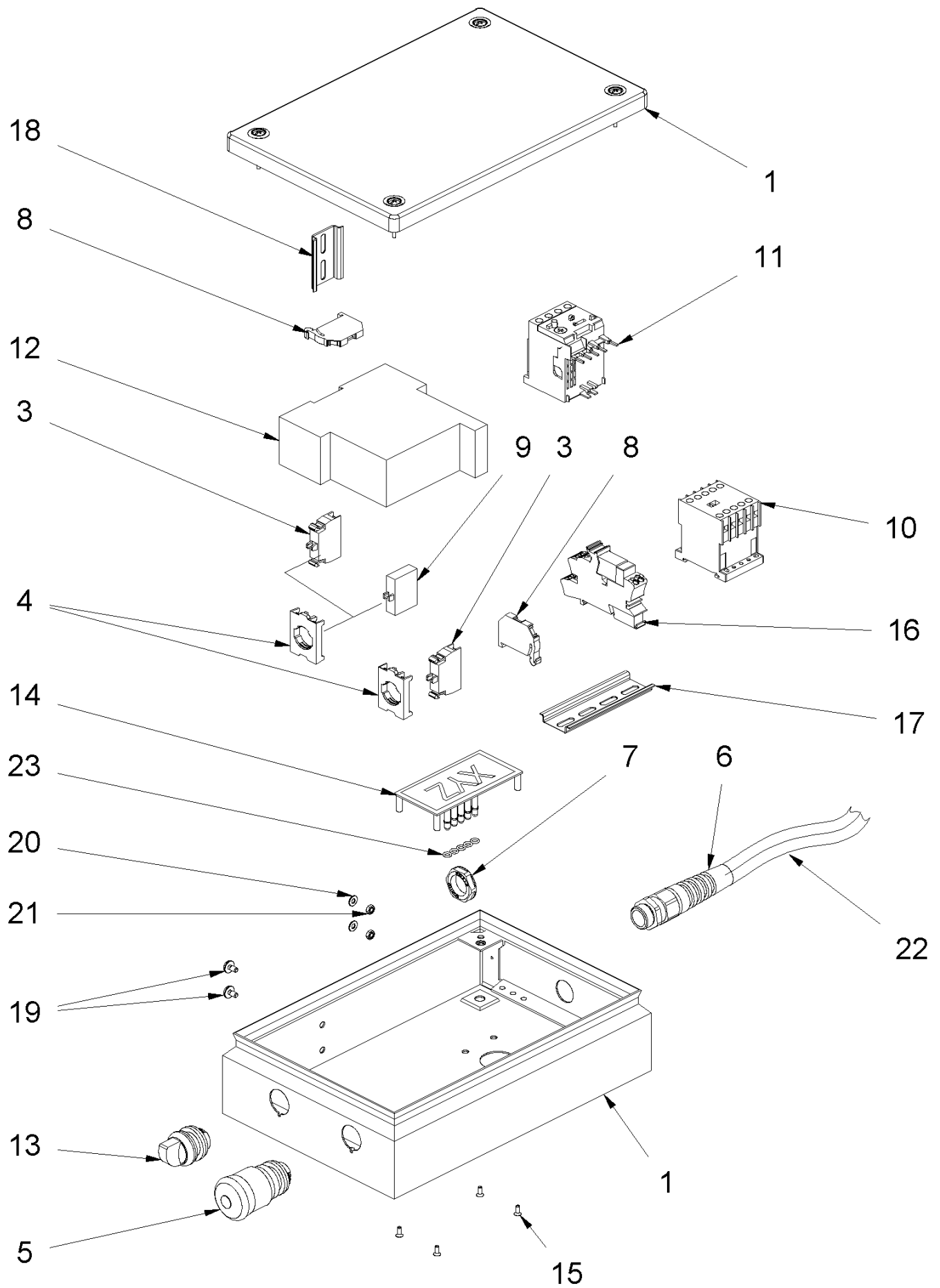
3 Carriage



3 Carriage

Item no.	Article no.	Description	Quantity
1	085550	SG-Clip f.transport castors NEO400 Ø20	1
2	077132	Wheel NEO 400	2
3	077137	Stalk axis d12 NEO 400	1
4	083466	Clamp lever GN 300-92 M10-25-SW	2
5	077238	Tension ring 20	4
6	019090	Bushing BB 1209 DU	2
7	077261	Washer 13 DIN 433	4
8	018236	Washer 10.5 DIN 9021	2

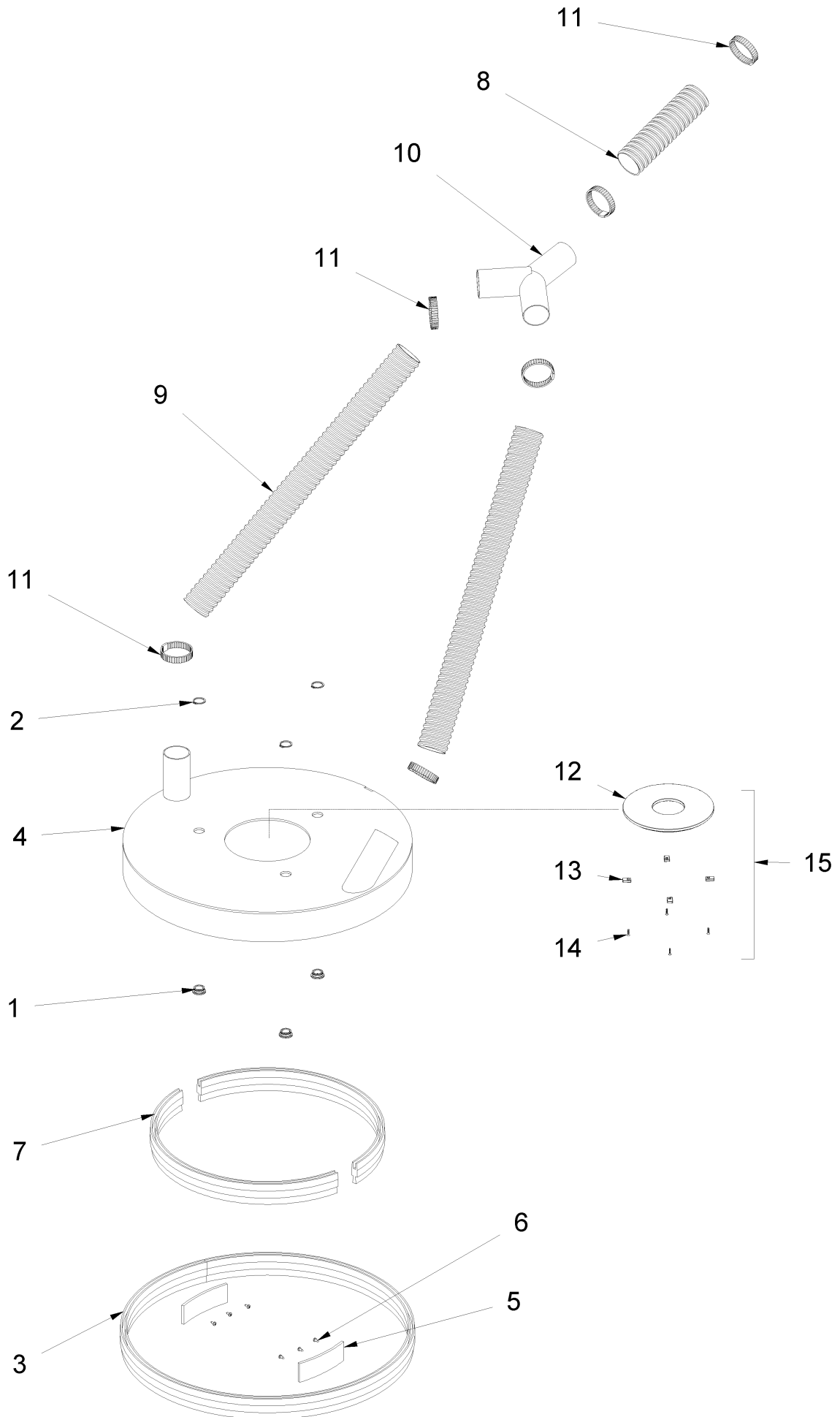
4 Terminal box



4 Terminal box

Item no.	Article no.	Description	Quantity
1	078087	Terminal box NEO 400	1
3	017507	Contact element open NC	2
4	017503	Adapterattachment	2
5	052443	Safety switch	1
6	039190	Screw connection w.bending prot.M20x1,5	1
7	047935	Nut PE M20x1,5	1
8	071895	Top hat rail unclamp 6mm	2
9	017505	Contact element shut NO	1
10	071318	Contactactor 230V	1
11	077268	Motor protection relay	1
12	081973	Soft Starter 5,5kW	1
13	077257	Selection button M22 / 3 positions	1
14	078122	LED display NEO 400	1
15	066725	Countersunk screw M 3x 8 ISO 14581	4
16	078123	Relais NEO 400	1
17	068023	Top hat rail 100 mm	1
18	020969	Top hat rail 50 mm	1
19	056488	Lens head screw M4x 8	2
20	017452	Washer M4 DIN 125 B	2
21	017630	Hexagon nut M 4 DIN 934	2
22	077212	Control wire NEO 400	1
23	080066	O-Ring 4,5x1,5	5

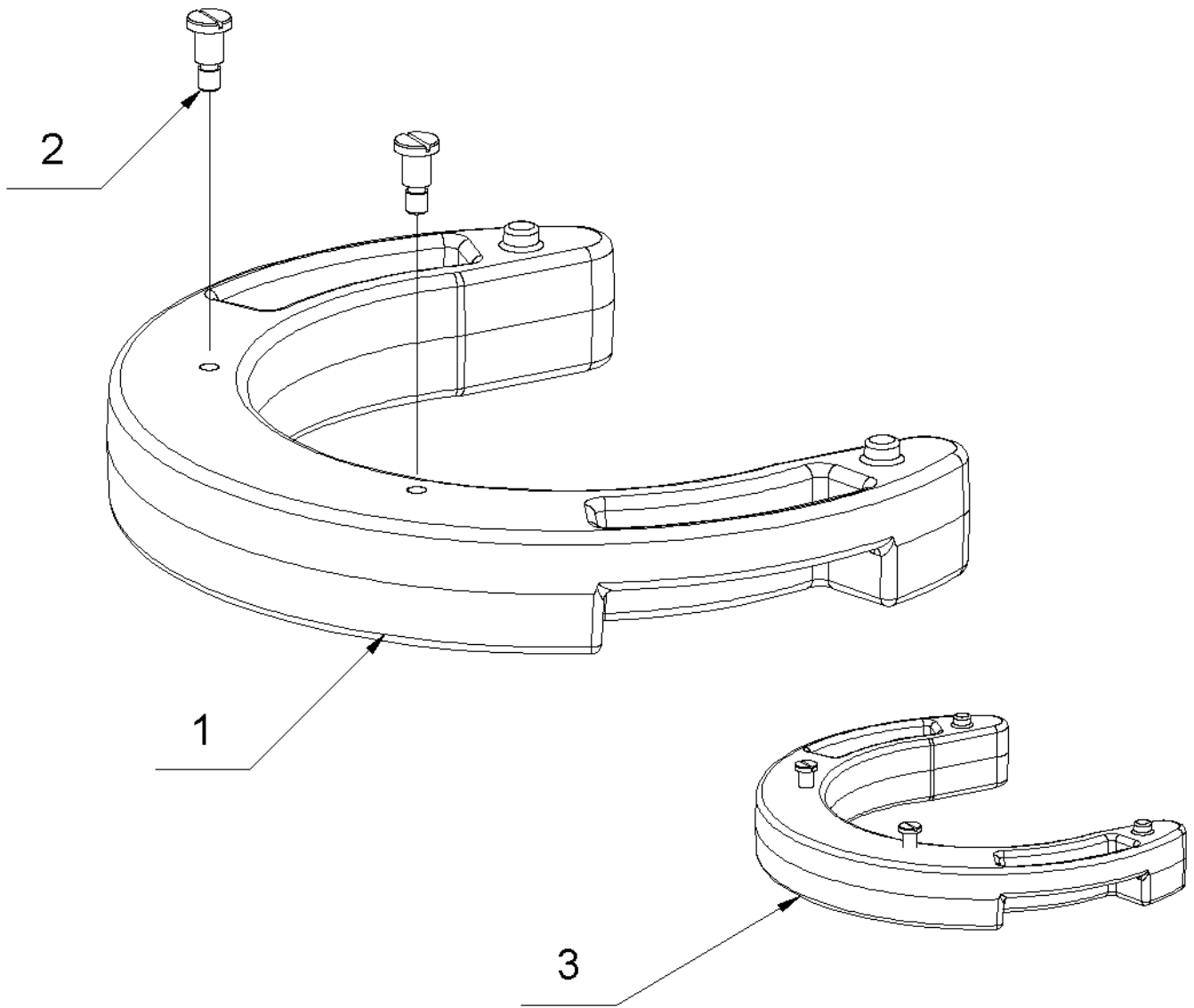
5 Dust seal



5 Dust seal

Item no.	Article no.	Description	Quantity
1	084776	SocketMS NEO 400	3
2	014851	Safety washer A20 DIN 471	3
3	084781	Brush outside, NEO 400	1
4	084780	SG -Dust seal NEO 400 S003	1
5	084786	Rubber Strip NEO 400	2
6	084802	Screw countersunk 4x16	6
7	084782	Brush inside, NEO 400	2
8	084788	Dust extraction Ø50 200mm NEO 400	1
9	084787	Dust extraction hose Ø 50 625 mm NEO 400	2
10	084793	Y- Piece NEO 400	1
11	013445	Hose clamp, 40-60mm	6

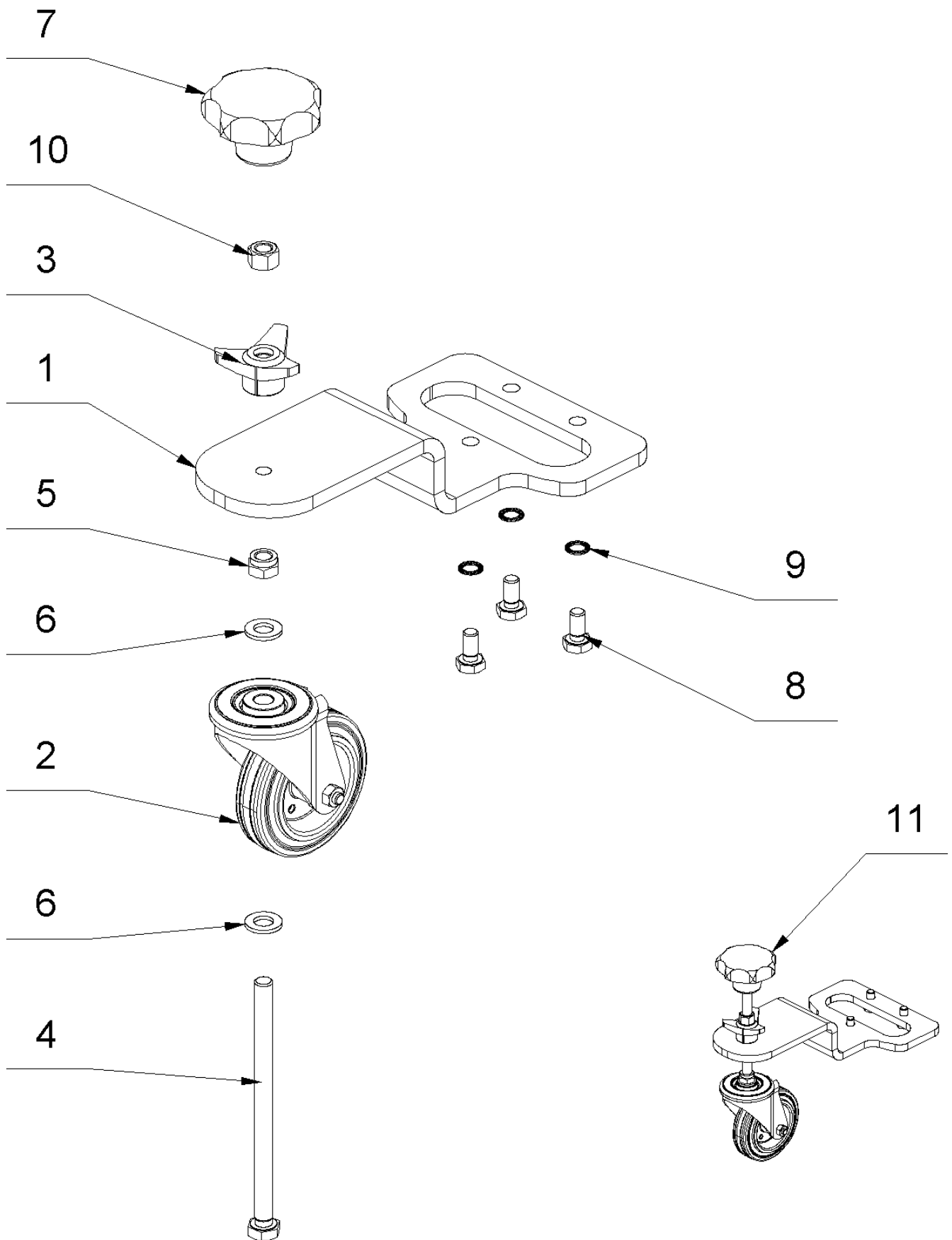
6 Additional weight



6 Additional weight

Item no.	Article no.	Description	Quantity
1	072148	Additional weight 400	1
2	072156	Flat head screw M10x16 DIN 923	2
3	072225	ADDITIONAL WEIGHT 400	1

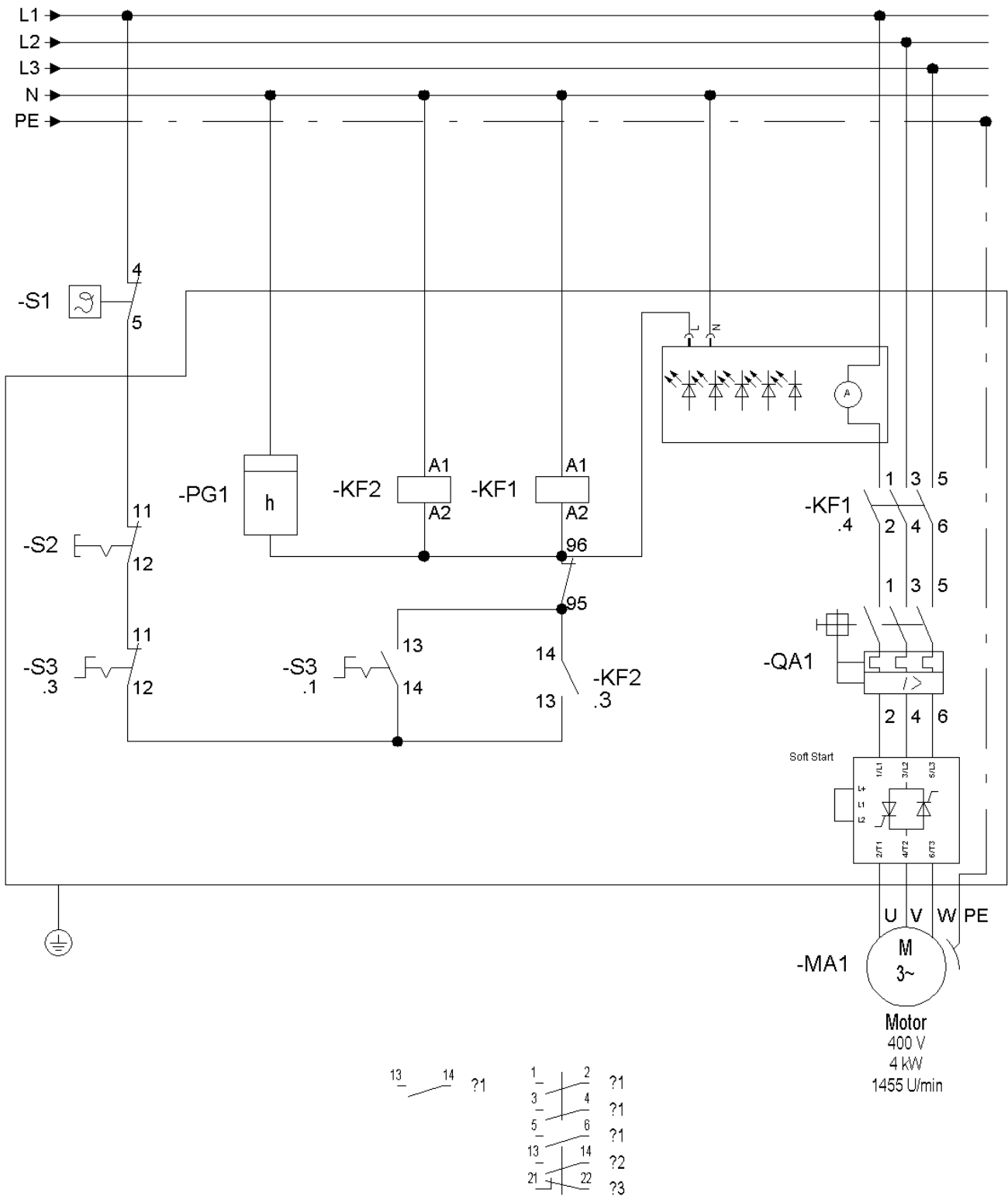
7 Supporting role



7 Supporting role

Item no.	Article no.	Description	Quantity
1	083043	Outriggers for support wheel NEO 400	1
2	083171	Caster Neo 400	1
3	082969	Three-star grip M12	1
4	083495	Hexagon head screw M12x180 8.8 vz.DIN933	1
5	018770	El.stop-nut M12 DIN 985	1
6	014830	Washer M12 DIN 125 A	2
7	074887	Star handle M12 DIN 6336	1
8	083696	Hexagonal screw M 10x20 DIN933 8.8 vz.	3
9	014861	Washer M10	3
10	018663	Hexagon nut M12 DIN 934	1
11	083702	Supporting wheel complete NEO 400	1

8 Circuit diagram



8 Circuit diagram

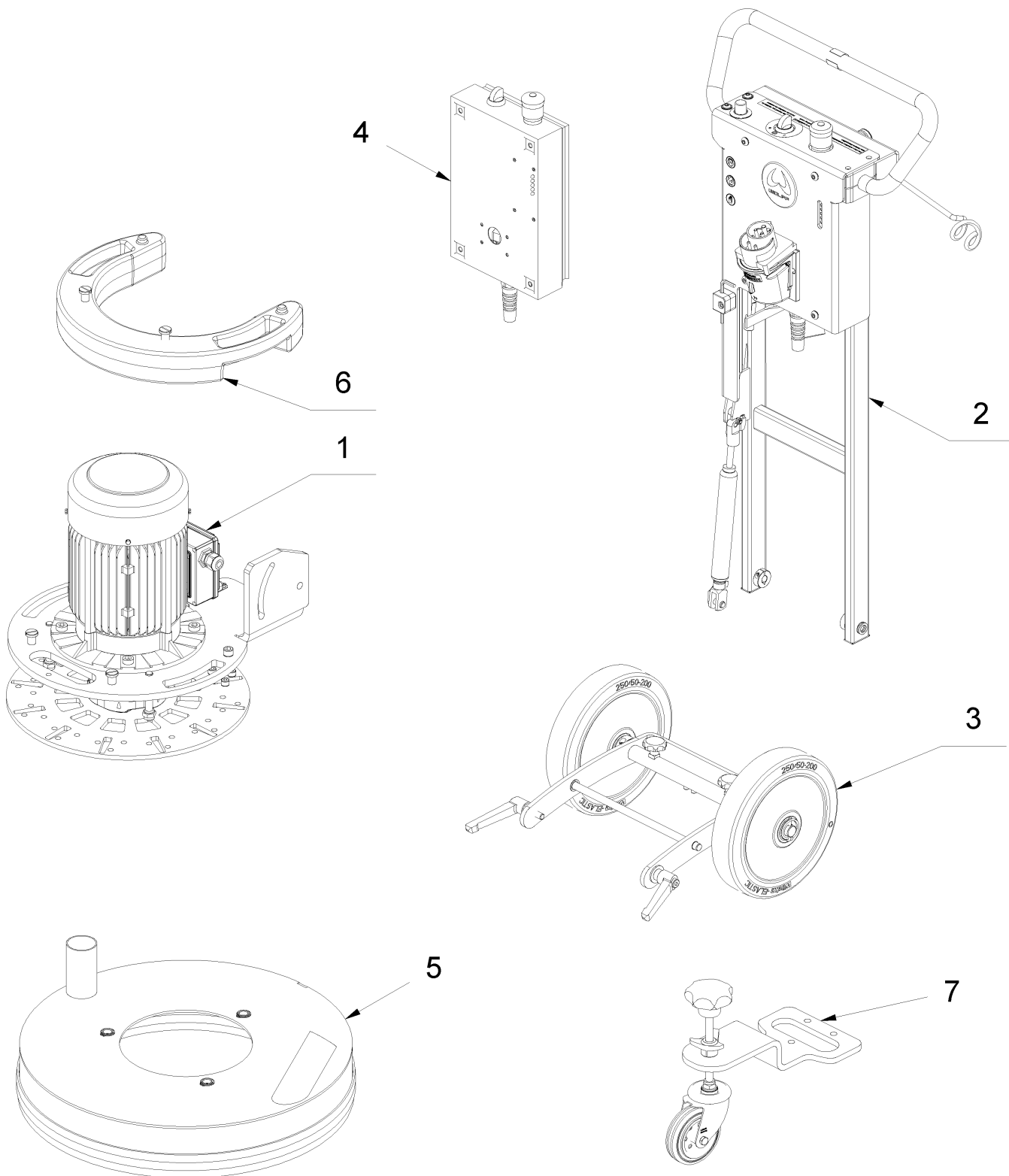
9 Tool kit

Item no.	Article no.	Description	Quantity
1	054064	Tool bag green - Wolff	1
2	015315	Hearing protectors	1
3	015316	Protective goggles	1
4	078116	Technical instructions NEO 400 3-spr	1
5	078117	Spare part list NEO 400	1
6	016732	Fine dust mask Gecko/URS/Cobra	1
7	015809	Safety gloves 1 pair	1
8	080208	Plastic hammer 35mm	1

10 Accessories

Item no.	Article no.	Description	Quantity
1	064194	Water level 230mm	1
2	080208	Plastic hammer 35mm	1
3	015960	Extension cord 25m 400V 16A CEKON	1

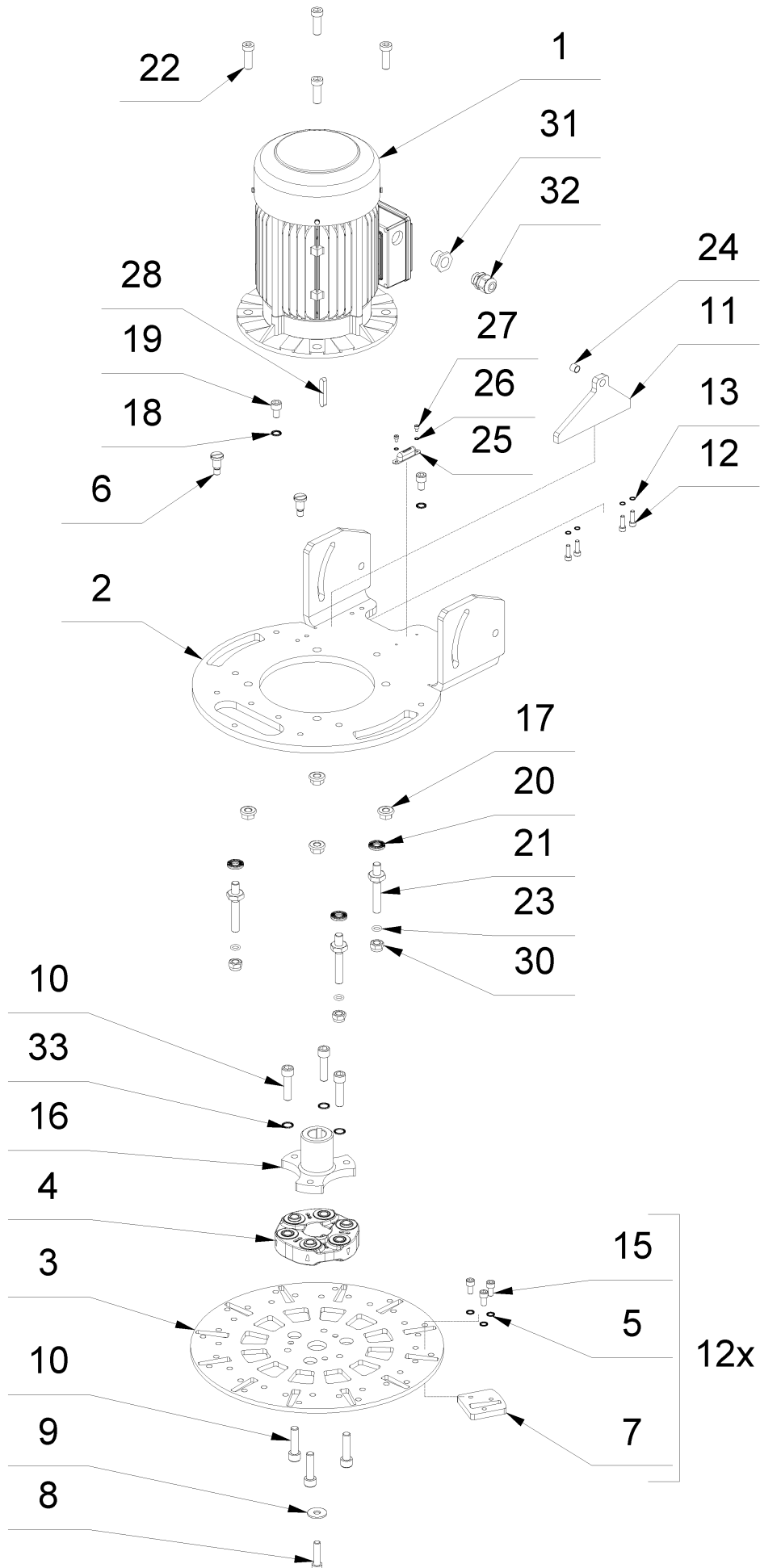
5 NEO400 (0168/2020-heute)



5 NEO400 (0168/2020-heute)

Item no.	Article no.	Description
1	05_01_078100	Motor
2	04_02_078099	Handle
3	04_03_078102	Carriage
4	05_04_078101	Terminal box
5	03_05_084754	Dust seal
6	01_03_072225	Additional weight
7	02_07_083702	Supporting role
8	05_08_076970	Circuit diagram
9	01_09_076970	Tool kit
10	01_10_076970	Accessories

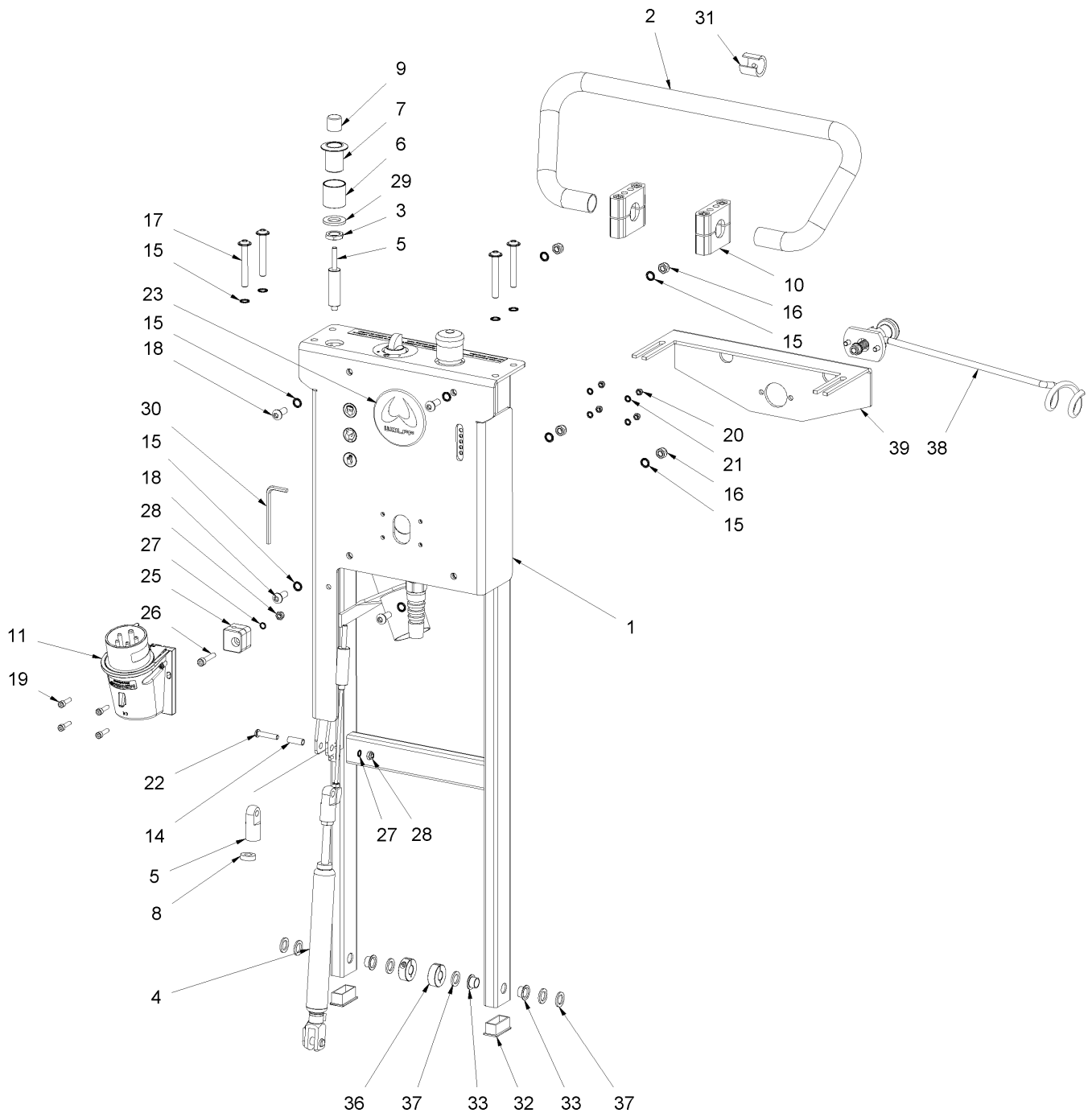
1 Motor



1 Motor

Item no.	Article no.	Description	Quantity
1	076957	Motor 4kW 400V 1500U/min NEO 400	1
2	083041	Console NEO 400	1
3	077180	Segment plate 12fach NEO 400	1
4	159238	Coupling SGFlex NEO 400	1
5	014860	Schnorr Washer M8	36
6	072156	Flat head screw M10x16 DIN 923	2
7	048744	Segment holder	12
8	042368	Cylinder head screw M10x40 DIN 912	1
9	018236	Washer 10.5 DIN 9021	1
10	034222	Cylinder head screw M12x45 DIN 912	6
11	083050	Rippe für Konsole	1
12	014730	Cylinder head screw M 6x20 DIN 912	4
13	014859	Schnorr washer M6	4
15	017651	Cylinder head screw M8x16 DIN 912	36
16	159236	Coupling flange SGF M12 NEO 400	1
17	083420	Hexagon nut M12 DIN 6923	4
18	014861	Washer M10	2
19	014740	Cylinder head screw M10x16 DIN 912 10.9	2
20	087780	Safety washer M12 LL	3
21	088656	Stud bolt M12x70-SW24 NEO400	3
22	016449	Cylinder head screw M12x30 DIN 6912	4
23	017761	O-Ring 11x3	3
24	014912	Bushing 1010	1
25	081698	Longitudinal Dragonfly NEO 230/400	1
26	016961	Snorr washer M4	2
27	081714	Cylinder head screw M 4X6 DIN 912	2
28	173226	Feather key 8x7x50 DIN 6885 A	1
30	018770	El.stop-nut M12 DIN 985	3
31	085602	Cable connection reduc. M25x1,5 /M20x1,5	1
32	051948	Cable gland M20x1.5	1
33	014862	Washer M12	3

2 Handle



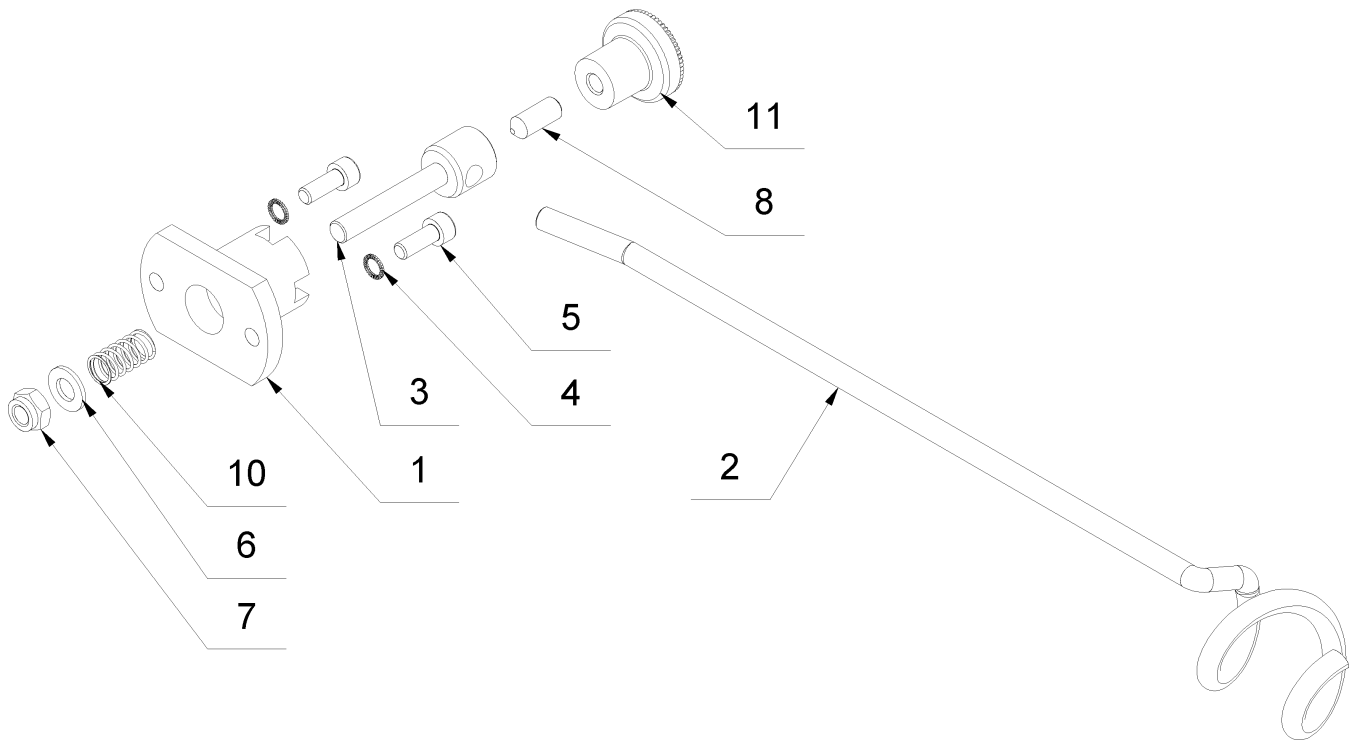
2 Handle

Item no.	Article no.	Description	Quantity
1	077029	SG Handle NEO 400	1
2	077166	Handle NEO 400	1
3	077761	Lock nut M16x1,5 DIN 439	1
4	072136	Gas pressure spring DSW400	1
5	077130	Trigger head NEO 400	1
6	077139	Socket NEO 400	1
7	077131	Bushing 38*35*M16*1.5 NEO 400	1
8	060733	Bearing damper Mambo Evo/Spider	1
9	077176	Pressing button long NEO 400	1
10	077190	Clamb GN231-B25-1-BL	2
11	077159	Electrical plug/wall 16A 5p.6h	1
12	107303	Label protective glove	1
13	146823	Label Respiratory protection	1
14	081841	Axle tube verzinkt 21,8x8x6,2	1
15	014860	Schnorr Washer M8	12
16	014816	Hexagon nut M8 DIN 985	4
17	077260	Lens head screw M 8x60	4
18	047385	Lens head screw M8x20	4
19	014720	Cylinder head screw M5x20 DIN 912	4
20	014814	Stop hexagon nut M5 DIN 985	4
21	014858	Schnorr washer M5	4
22	062844	Lens head screw M 6x30 ISO 7380	1
23	118141	Label Wolff 3D d80mm	1
24	017459	label safety ear and eye	1
25	078389	Camp f.key SW 5	1
26	017678	Cylinder head screw M6x30 DIN 912	1
27	014859	Schnorr washer M6	2
28	014815	Hexagon nut M6 DIN985	2
29	017741	Washer M14 DIN 125	1
30	014956	Hexagonal screw key SW5 DIN 911	1
31	079643	Protective clip NEO 400	1
32	018767	Stopper 40,0x20 x14,5 black	2
33	019090	Bushing BB 1209 DU	4
34	145873	Label Check Phase rotation	1

2 Handle

Item no.	Article no.	Description	Quantity
35	146250	Label ON/OFF NEO 400	1
36	080076	Tension ring slitted Ø 12	2
37	014833	Washer 13 DIN 433	6
38	161669	Cable support compl. BiTurbo	1
39	166053	Clamping device f.cable arm NEO 400	1

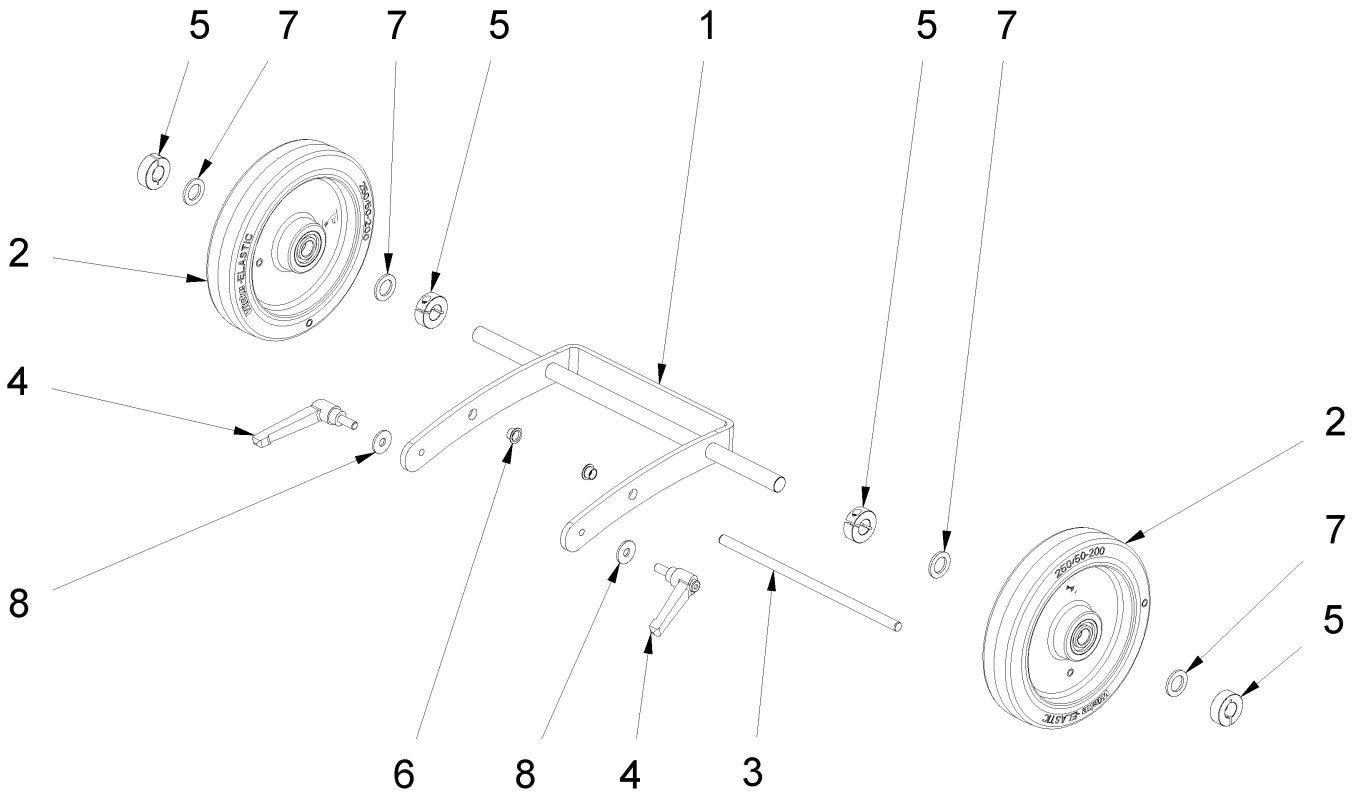
38 Cable support compl. BiTurbo



38 Cable support compl. BiTurbo

Item no.	Article no.	Description	Quantity
1	161665	Sleeve Cantilever arm BiTurbo	1
2	161668	Cable support arm BiTurbo	1
3	161667	Bolt Cable extension BiTurbo	1
4	014859	Schnorr washer M6	2
5	014729	Cylinder head screw M 6x16 DIN 912	2
6	014828	Washer M8 DIN 125 A	1
7	014816	Hexagon nut M8 DIN 985	1
8	018178	headless pin M 8x20 DIN 914	1
10	017557	Pressure spring D151B / 11x22x1	1
11	161661	Knurled knob M8x31 black	1

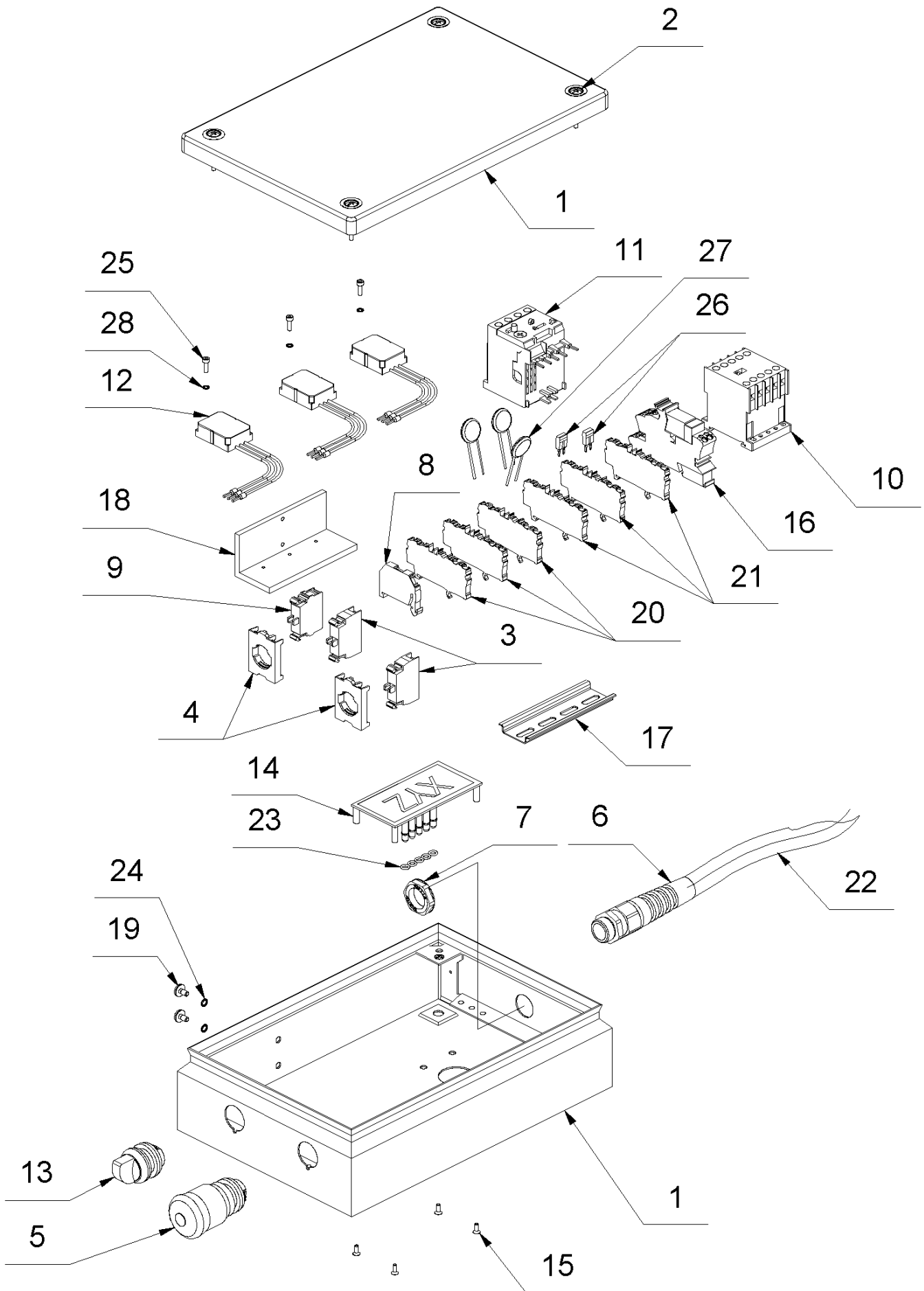
3 Carriage



3 Carriage

Item no.	Article no.	Description	Quantity
1	085550	SG-Clip f.transport castors NEO400 Ø20	1
2	077132	Wheel NEO 400	2
3	077137	Stalk axis d12 NEO 400	1
4	083466	Clamp lever GN 300-92 M10-25-SW	2
5	077238	Tension ring 20	4
6	019090	Bushing BB 1209 DU	2
7	077261	Washer 13 DIN 433	4
8	018236	Washer 10.5 DIN 9021	2

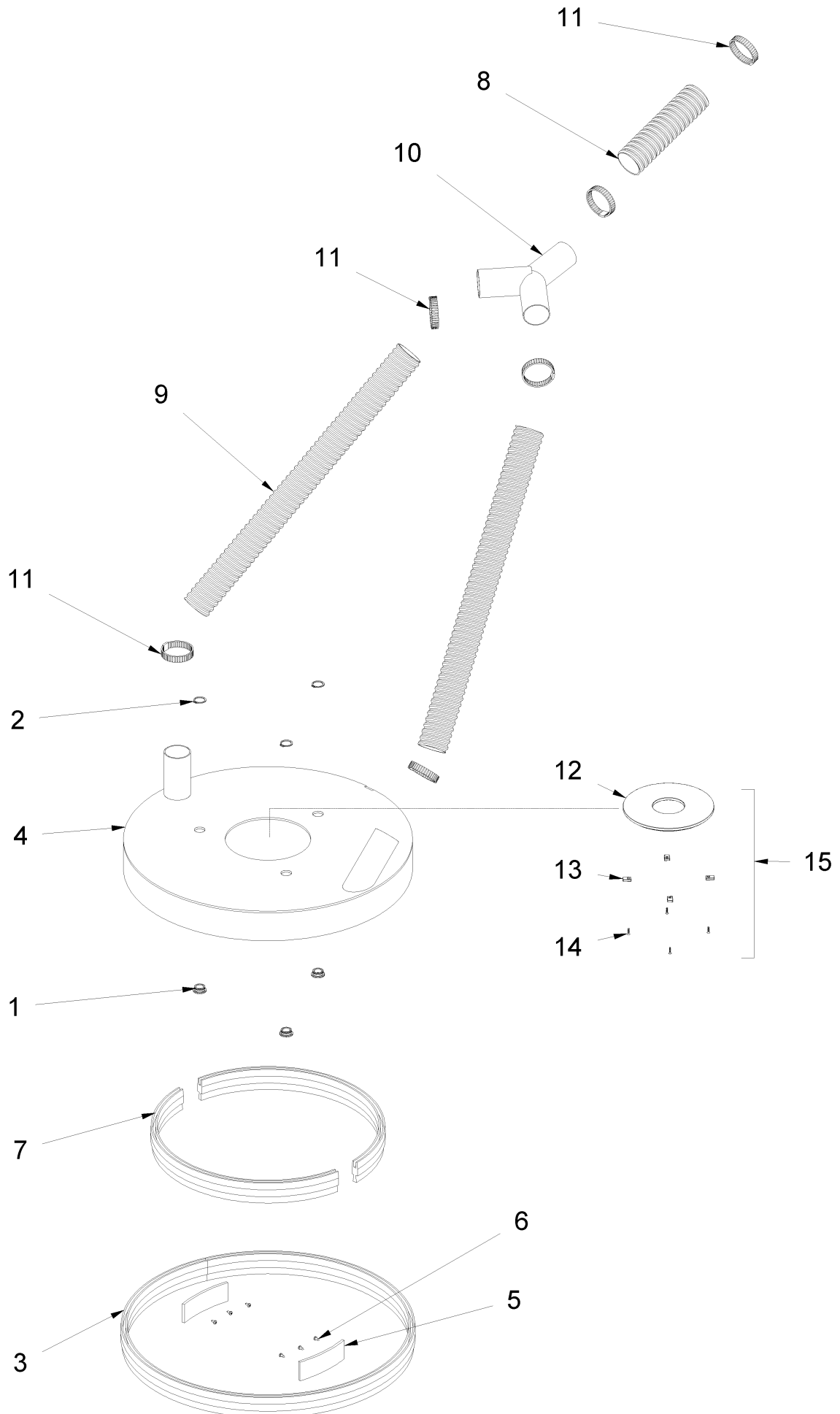
4 Terminal box



4 Terminal box

Item no.	Article no.	Description	Quantity
1	078087	Terminal box NEO 400	1
2	LU Pos.1	Screw	4
3	017507	Contact element open NC	2
4	017503	Adapterattachment	2
5	052443	Safety switch	1
6	039190	Screw connection w.bending prot.M20x1,5	1
7	047935	Nut PE M20x1,5	1
8	071895	Top hat rail unclamp 6mm	1
9	017505	Contact element shut NO	1
10	071318	Contacteur 230V	1
11	077268	Motor protection relay	1
12	173698	Soft start NEO400	3
13	077257	Selection button M22 / 3 positions	1
14	078122	LED display NEO 400	1
15	066725	Countersunk screw M 3x 8 ISO 14581	4
16	078123	Relais NEO 400	1
17	068023	Top hat rail 100 mm	1
18	161670	Mounting bracket Mini Softstarter	1
19	056488	Lens head screw M4x 8	2
20	068024	Top hat rail through clamp grey 4x	3
21	068025	Top hat rail through clamp blue 4x	3
22	077212	Control wire NEO 400	1
23	080066	O-Ring 4,5x1,5	5
24	016961	Snorr washer M4	2
25	014715	Cylinder head screw M3x10 DIN 912	3
26	162792	Comb bridge 2002-402	2
27	056885	Varistor Cobra 09	3
28	017772	Schnorr washer M3	3
o.Abb.	068027	Top hat rail protection clamp GR-GE 4x	1

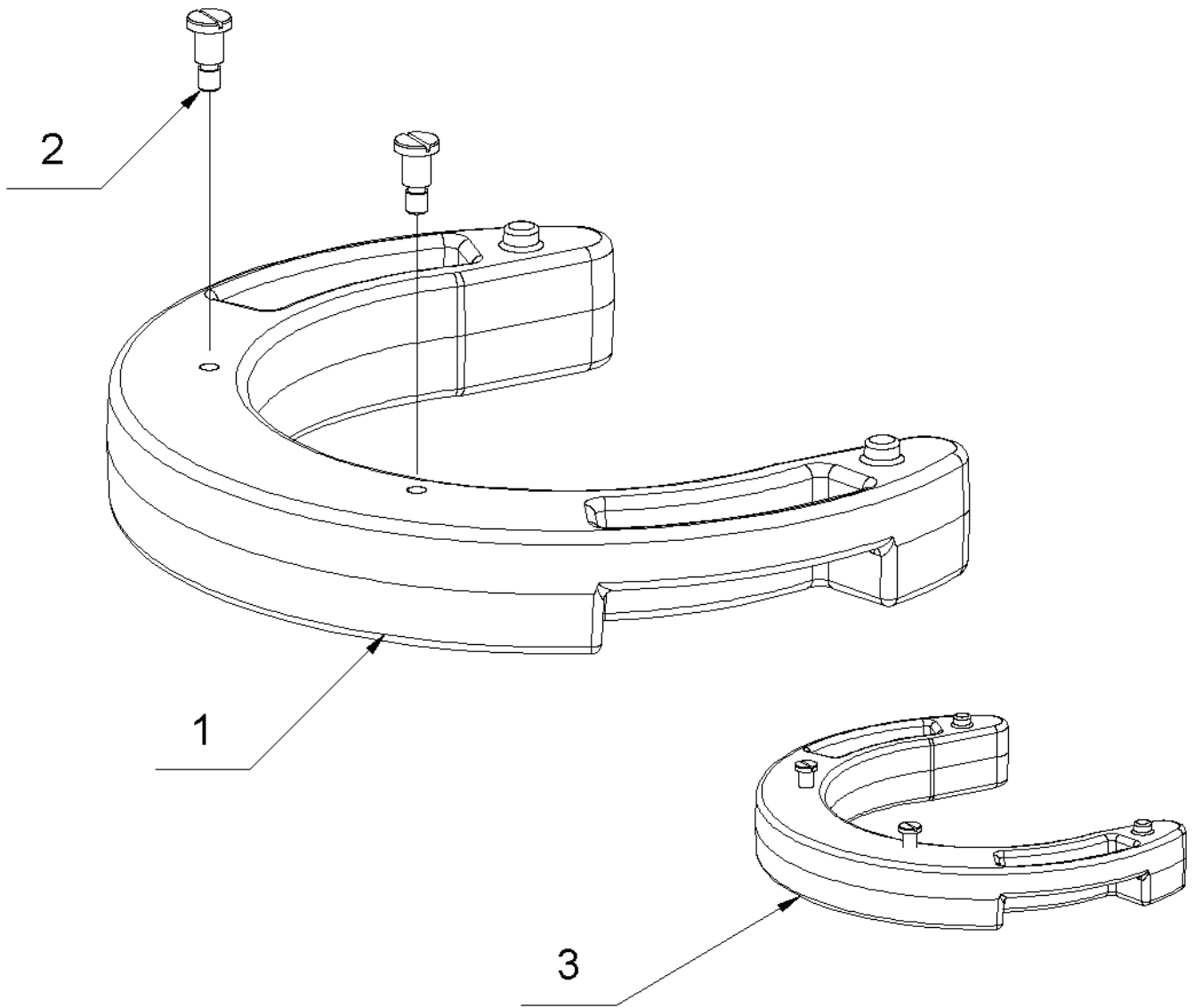
5 Dust seal



5 Dust seal

Item no.	Article no.	Description	Quantity
1	084776	SocketMS NEO 400	3
2	014851	Safety washer A20 DIN 471	3
3	084781	Brush outside, NEO 400	1
4	084780	SG -Dust seal NEO 400 S003	1
5	084786	Rubber Strip NEO 400	2
6	084802	Screw countersunk 4x16	6
7	084782	Brush inside, NEO 400	2
8	084788	Dust extraction Ø50 200mm NEO 400	1
9	084787	Dust extraction hose Ø 50 625 mm NEO 400	2
10	084793	Y- Piece NEO 400	1
11	013445	Hose clamp, 40-60mm	6
12	176727	Cover f. suction bell NEO 400	1
13	176728	Clamping jaw f. extraction bell NEO 400	4
14	176730	Countersunk screw f. Plastics Ø3x12 vz	4
15	176729	Retrofit set suction bell NEO 400	1

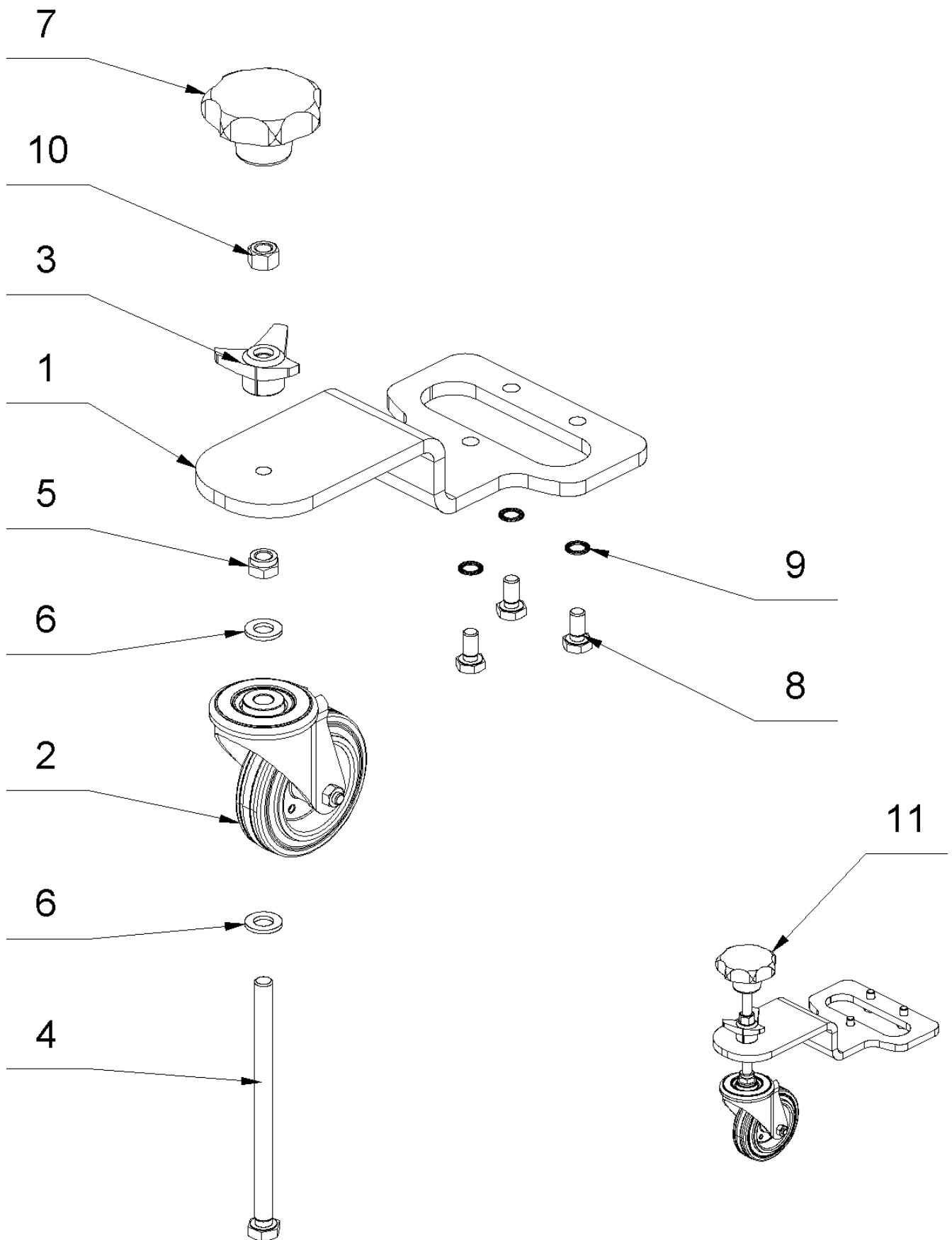
6 Additional weight



6 Additional weight

Item no.	Article no.	Description	Quantity
1	072148	Additional weight 400	1
2	072156	Flat head screw M10x16 DIN 923	2
3	072225	ADDITIONAL WEIGHT 400	1

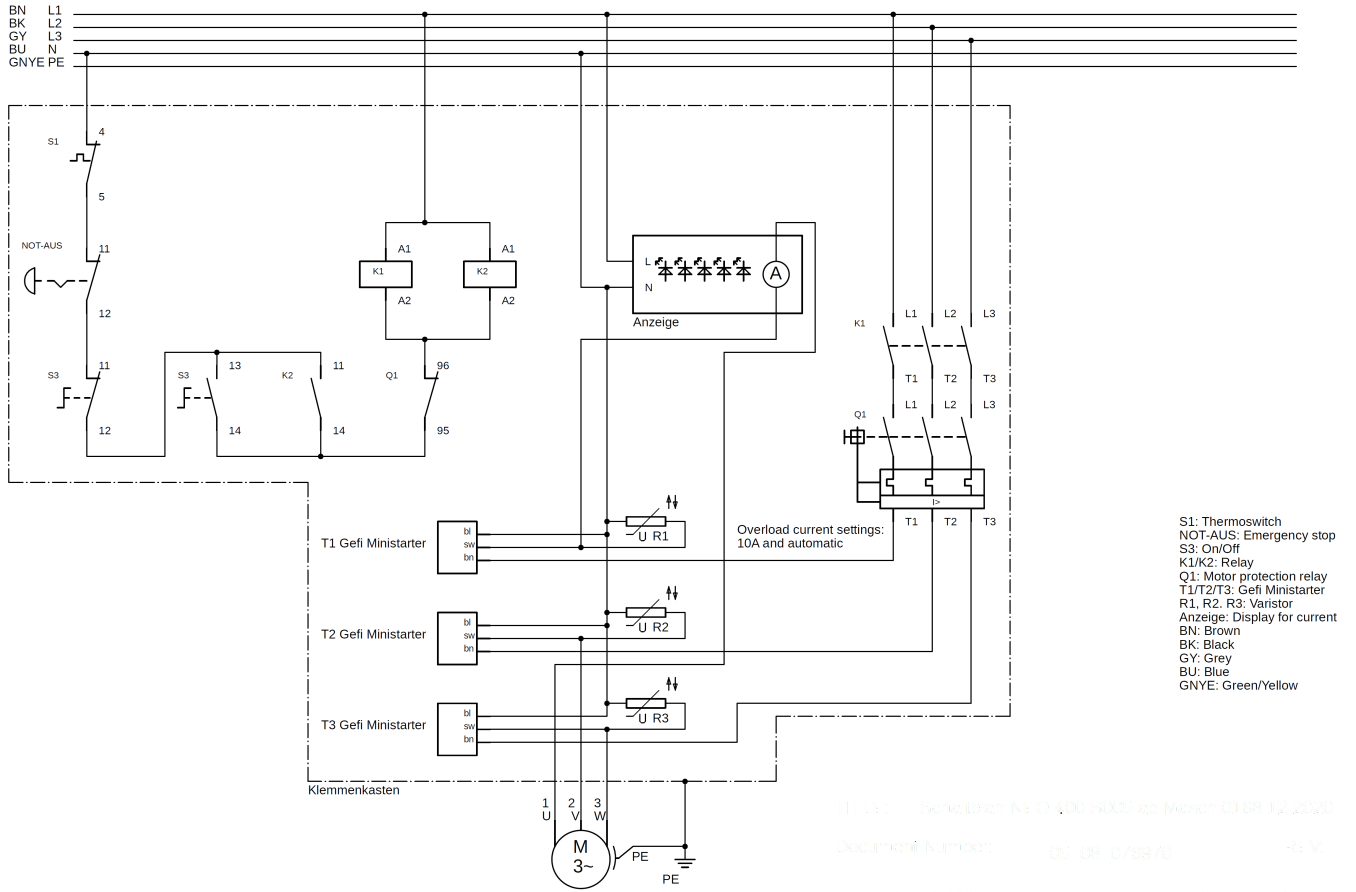
7 Supporting role



7 Supporting role

Item no.	Article no.	Description	Quantity
1	083043	Outriggers for support wheel NEO 400	1
2	083171	Caster Neo 400	1
3	082969	Three-star grip M12	1
4	083495	Hexagon head screw M12x180 8.8 vz.DIN933	1
5	018770	El.stop-nut M12 DIN 985	1
6	014830	Washer M12 DIN 125 A	2
7	074887	Star handle M12 DIN 6336	1
8	083696	Hexagonal screw M 10x20 DIN933 8.8 vz.	3
9	014861	Washer M10	3
10	018663	Hexagon nut M12 DIN 934	1
11	083702	Supporting wheel complete NEO 400	1

8 Circuit diagram



8 Circuit diagram

9 Tool kit

Item no.	Article no.	Description	Quantity
1	054064	Tool bag green - Wolff	1
2	015315	Hearing protectors	1
3	015316	Protective goggles	1
4	078116	Technical instructions NEO 400 3-spr	1
5	078117	Spare part list NEO 400	1
6	016732	Fine dust mask Gecko/URS/Cobra	1
7	015809	Safety gloves 1 pair	1
8	080208	Plastic hammer 35mm	1

10 Accessories

Item no.	Article no.	Description	Quantity
1	064194	Water level 230mm	1
2	080208	Plastic hammer 35mm	1
3	015960	Extension cord 25m 400V 16A CEKON	1