



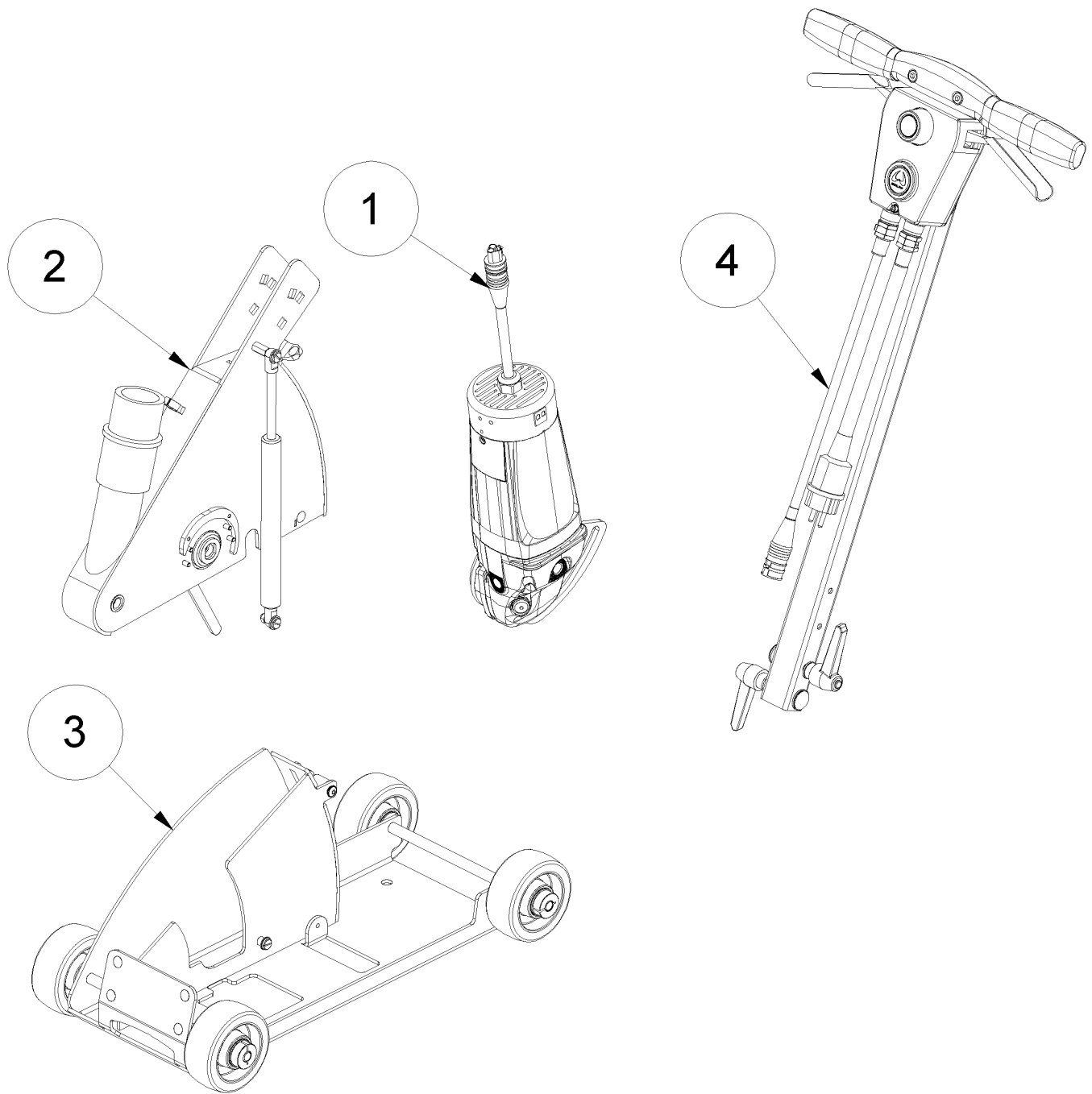
spare parts list PS230 EU



Table of contents

1 Parquet saw PS230 (0001/2018-0117/2020)	3
1 Motor	5
1 Motor 230V Bosch schwarz PS230	7
2 Cover	10
3 Carriage	12
4 Handle	14
5 Circuit diagram	16
6 Tool kit	18
7 Accessories	19
2 Parquet saw PS230 (0118/2020-heute)	20
1 Motor	22
1 Motor 230V Bosch schwarz PS230	24
2 Cover till march 2023	27
2 Cover from April 2023	29
3 Carriage	31
4 Handle up to machine no. 0294 / 2024	33
4 Handle from machine no. 0295 / 2024	35
5 Cable support	37
6 Circuit diagram	39
7 Tool kit	41
8 Accessories	42

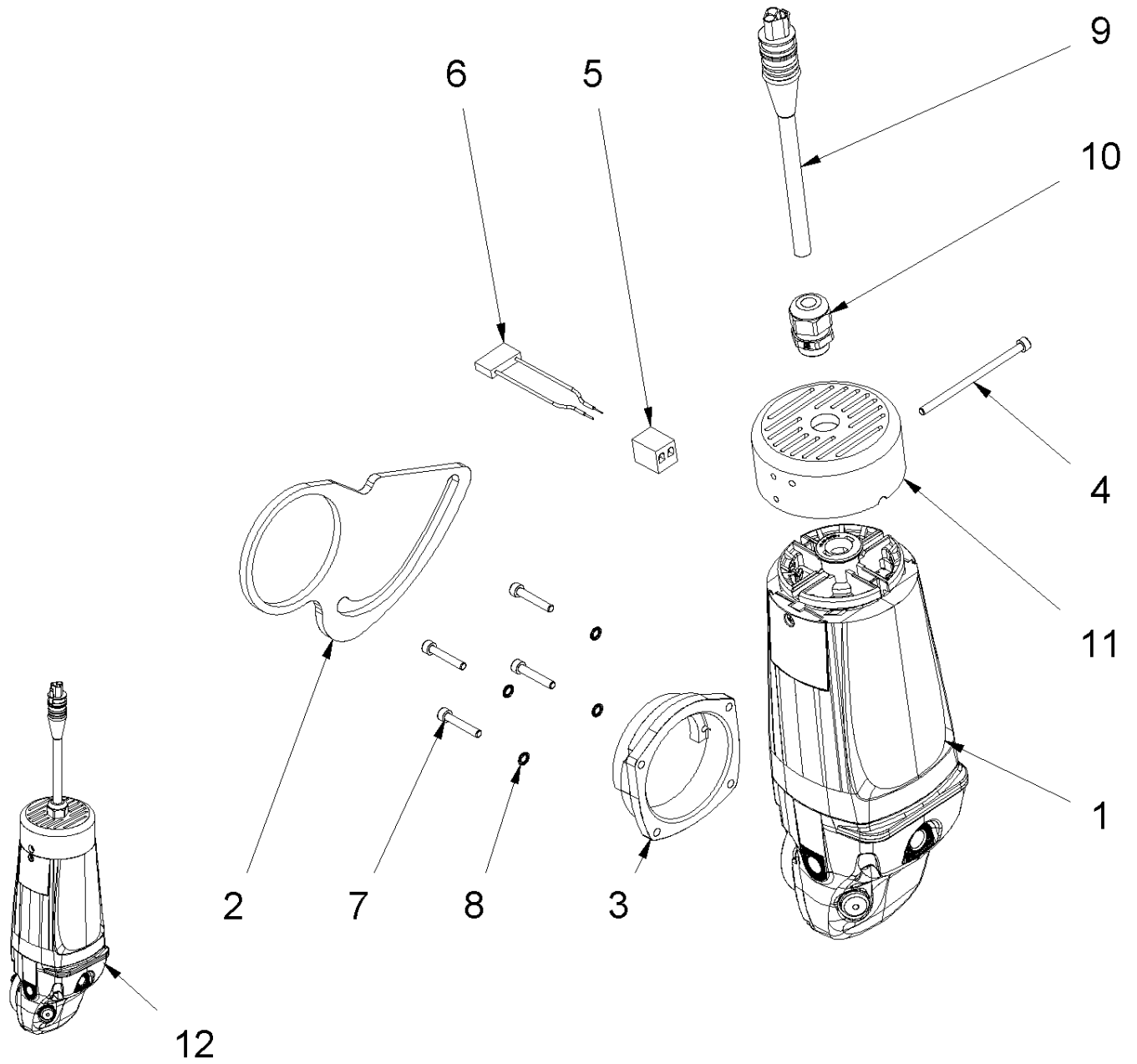
1 Parquet saw PS230 (0001/2018-0117/2020)



1 Parquet saw PS230 (0001/2018-0117/2020)

Item no.	Article no.	Description
1	01_01_085614	Motor
2	01_02_084919	Cover
3	01_03_084919	Carriage
4	01_04_085608	Handle
5	01_05_084919	Circuit diagram
6	01_06_084919	Tool kit
7	01_07_084919	Accessories

1 Motor



1 Motor

Item no.	Article no.	Description	Quantity
1	085611	Motor 230V Bosch schwarz PS230	1
2	085563	Cover Gecko Star PS230	1
3	085556	Bride Boschmotor PS230	1
4	014724	Cylinder head screw M5x90 DIN912	1
5	056685	Ceramik-terminal	1
6	175868	Suppression module Snubber 230V/115V	1
7	018278	Cylinder head screw M5x30 DIN 912	4
8	014858	Schnorr washer M5	4
9	081194	Motor cable w.plug NEO 230	1
10	051948	Cable gland M20x1.5	1
11	015130	Motor cover, new Turbo	1
12	085614	BG-Motor 230V PS230	1

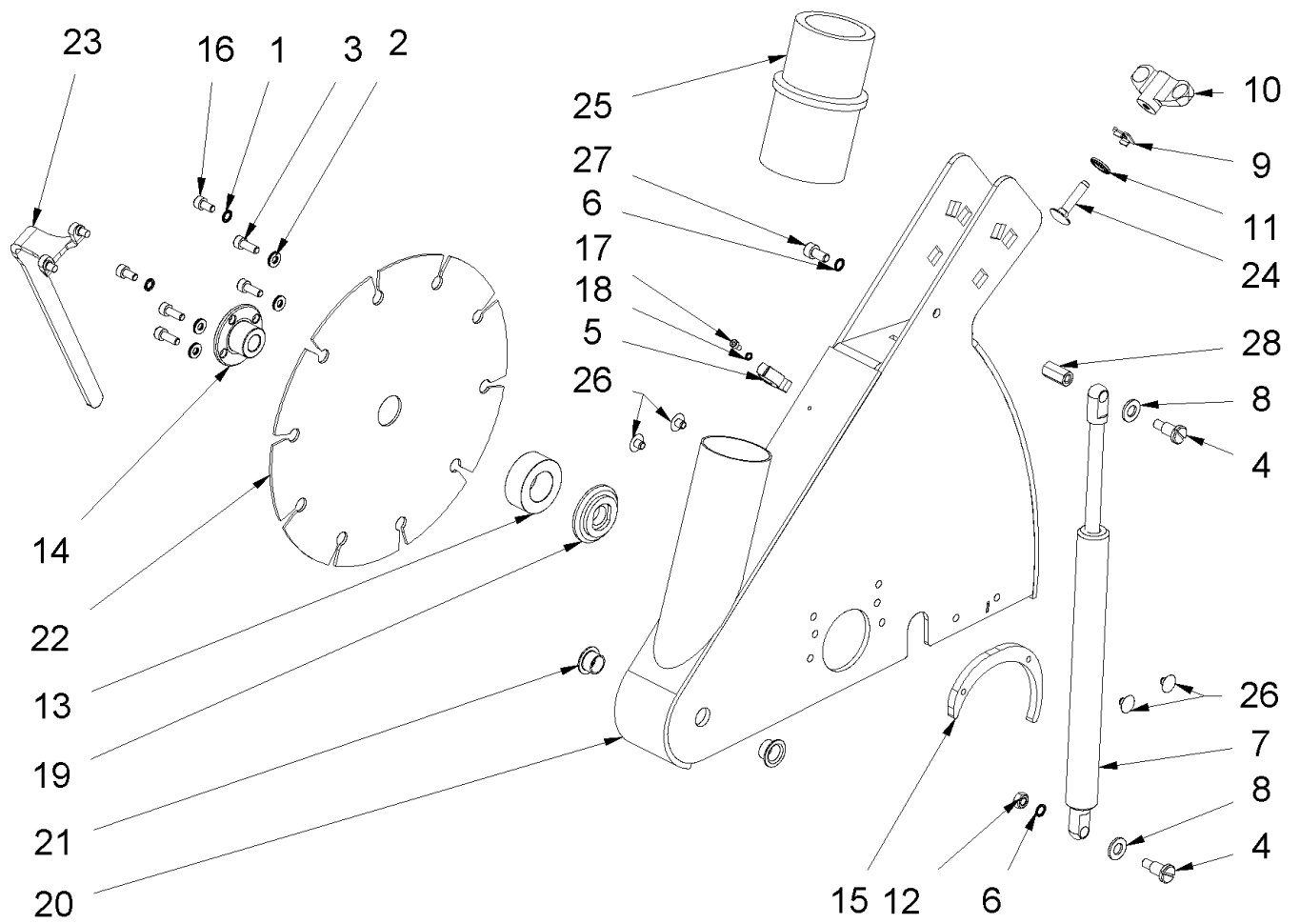
1 Motor 230V Bosch schwarz PS230

Item no.	Article no.	Description	Quantity
1	070728	Motor housing f.motor Bosch 2600W	1
2	017441	Pole piece 230V 2600W Bosch	1
9		Label	2
14	075505	Ball bearing f.BoschMotorGWS26-230	1
23	019482	Carbon brush cap	2
25	036803	Spindle	1
28	081792	O-Ring Ø79x1,8 mm	1
29	078700	Sealing ring f.Motor GSW26	1
30		Air Distributor	1
31	079226	Air ring stirring unit f.MotorBosch2600W	1
32	173681	Retaining snap ring	1
33	039983	Oil seal washer f. Turbo/Super Motor	1
34	071400	Washer Turbo Engine Bosch	1
35		Felt Washer	1
37		Sealing ring	1
38	078303	Rubber ring f.Motor GSW26	1
39	078702	Rubber ring f.Motor GSW26	1
45	088399	Hexagon nut Bosch M10, SW14	1
51	054436	friction bearing	1
60		Thread-forming tap. Screw	4
61		Tapping Screw	4
64		Self-Cutting Screw	4
103		Cable routing	1
803	017443	Armature 230V	1
808		Nameplate	1
810	015152	Carbon brush (230V/115V Turbo/Super 1 PA	1
813	078448	Ball bearing Motor Turbo/Extro	1
816	017444	Carbon brush holder f. Bosch Mot.	2
821	036554	Gear block housing Boschmotor GWS26	1
822	073076	Drive hub plate f.GWS 26-30	1
826	033959	Cone wheel set	1
833	039983	Oil seal washer f. Turbo/Super Motor	1
835		Fan	1
840	036804	Pushbutton	1

1 Motor 230V Bosch schwarz PS230

Item no.	Article no.	Description	Quantity
846	078747	Supporting washer f.Motor GSW26	1
848		Spring retaining ring	1
850		Deep-Groove Ball Bearing	1
851	033961	Needle bushing	1

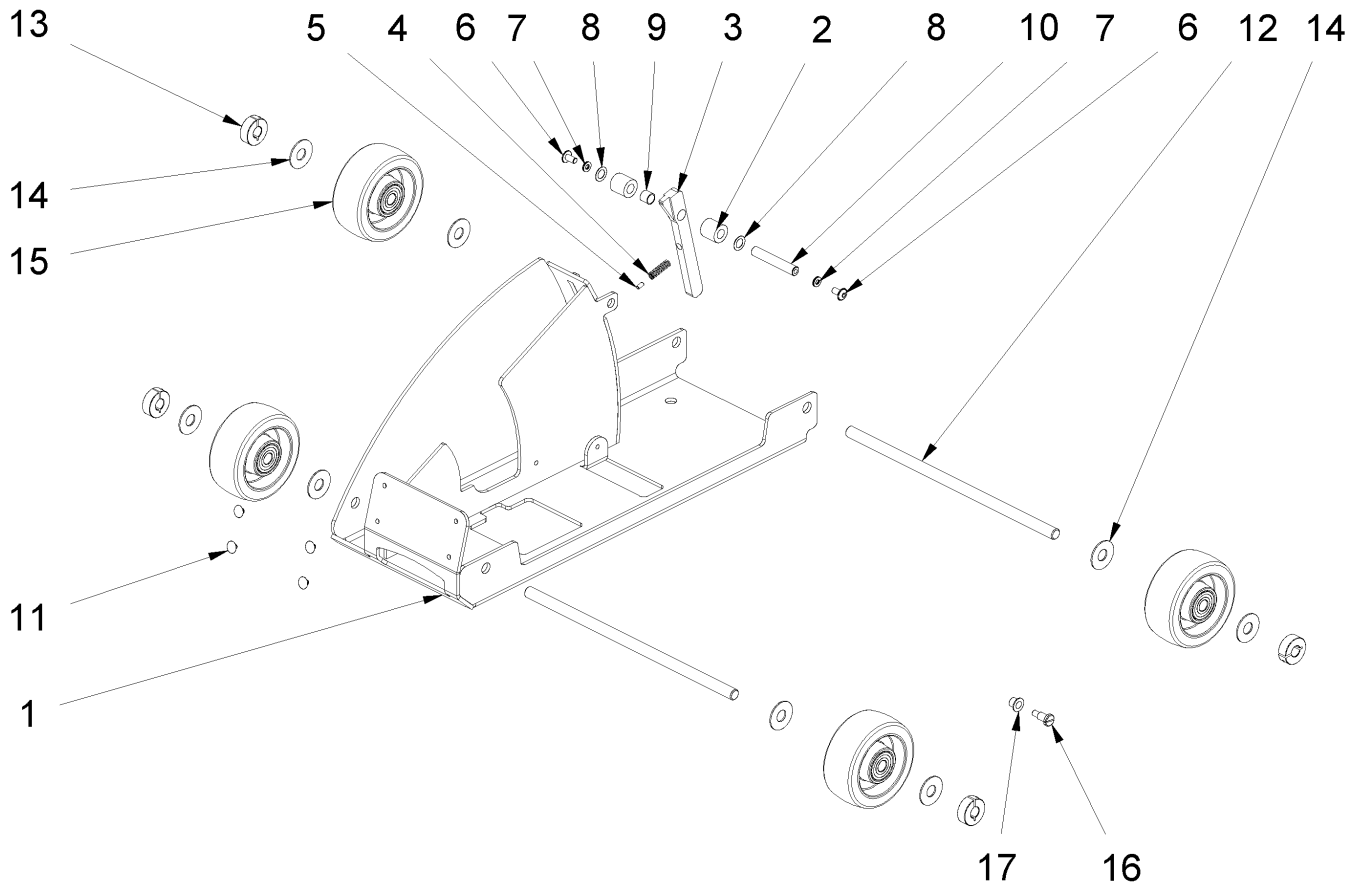
2 Cover



2 Cover

Item no.	Article no.	Description	Quantity
1	014858	Schnorr washer M5	2
2	076702	safety washer M 5	4
3	017742	Cylinder head screw M 5x14 DIN 912	4
4	085569	Collar screw M6x12 5.8 DIN923	2
5	083821	Spring steel clamp galvanized	1
6	014859	Schnorr washer M6	2
7	084682	Gas spring Hub 150 parquet saw	1
8	014828	Washer M8 DIN 125 A	2
9	085554	Pointer PS230	1
10	085565	Wing nut 634-55-M6-D	1
11	085591	Blocking device for Ø M8	1
12	014809	Hexagon nut M6 DIN 934	1
13	085564	Distance washer PS230	1
14	017424	Two-hole clamping nut	1
15	085555	C-disc PS230	1
16	014719	Cylinder head screw M5x10 DIN 912	2
17	053439	Cylinder head screw M3x6 DIN 912	1
18	017772	Schnorr washer M3	1
19	070329	Driver disc BS180/EF135	1
20	085610	SG-Hood PS230	1
21	019090	Bushing BB 1209 DU	2
22	085147	HM-woodsaw blade Ø 230	1
23	014961	twin hole spanner DIN3116-SW35-5.5mm	1
24	014782	Flat round screw M6X20 DIN 603	1
25	038921	Suction nozzle f. Vacu-+Comp.clean+Mambo	1
26	060937	blind plug D 5,4x13x7,4	4
27	014726	Cylinder head screw M6x12 DIN 912	1
28	085570	Distanzmuffe M6x20 SW 10	1

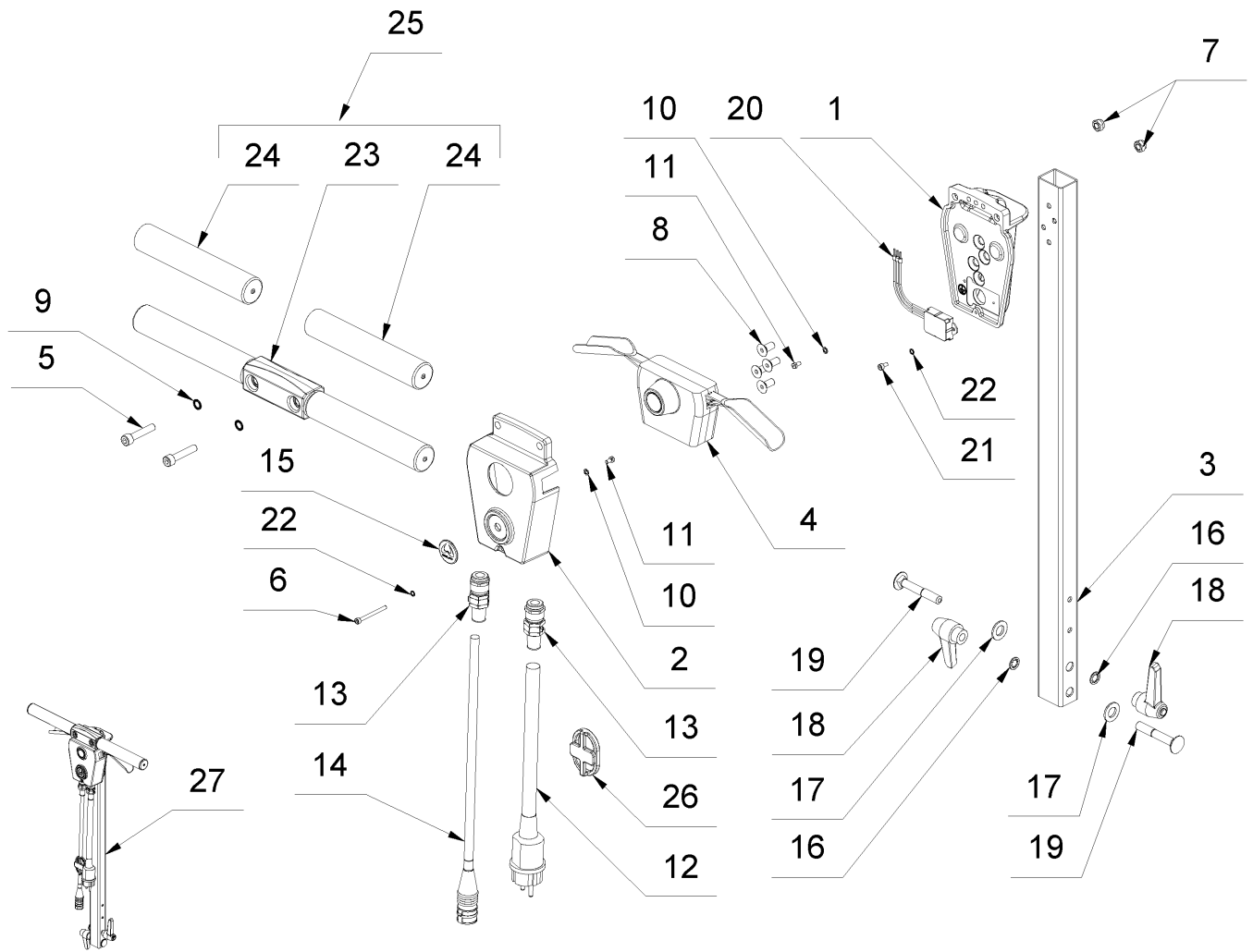
3 Carriage



3 Carriage

Item no.	Article no.	Description	Quantity
1	085609	SG-Running gear PS230	1
2	085571	Distanz Washer Ø 10,5xØ20x20	2
3	085561	Riegel PS230	1
4	017474	Pressure spring 7,5x26x1	1
5	085703	Shaft screw M 4x8 DIN 427	1
6	017553	Lens head screw M6x12	2
7	079861	Safety washer M6	2
8	018083	Shim ring 10x16x0.5 / DIN 988	2
9	014912	Bushing 1010	1
10	085560	Shaft latch PS230	1
11	060937	blind plug D 5,4x13x7,4	4
12	085558	Axle Ø12 PS230	2
13	080076	Tension ring slitted Ø 12	4
14	084925	Washer 13x32x1,5 DIN 522	8
15	085680	Wheel Ø100x40- Rubber with ball bearing	4
16	085569	Collar screw M6x12 5.8 DIN923	1
17	074278	Bushing GFN0810-0	1

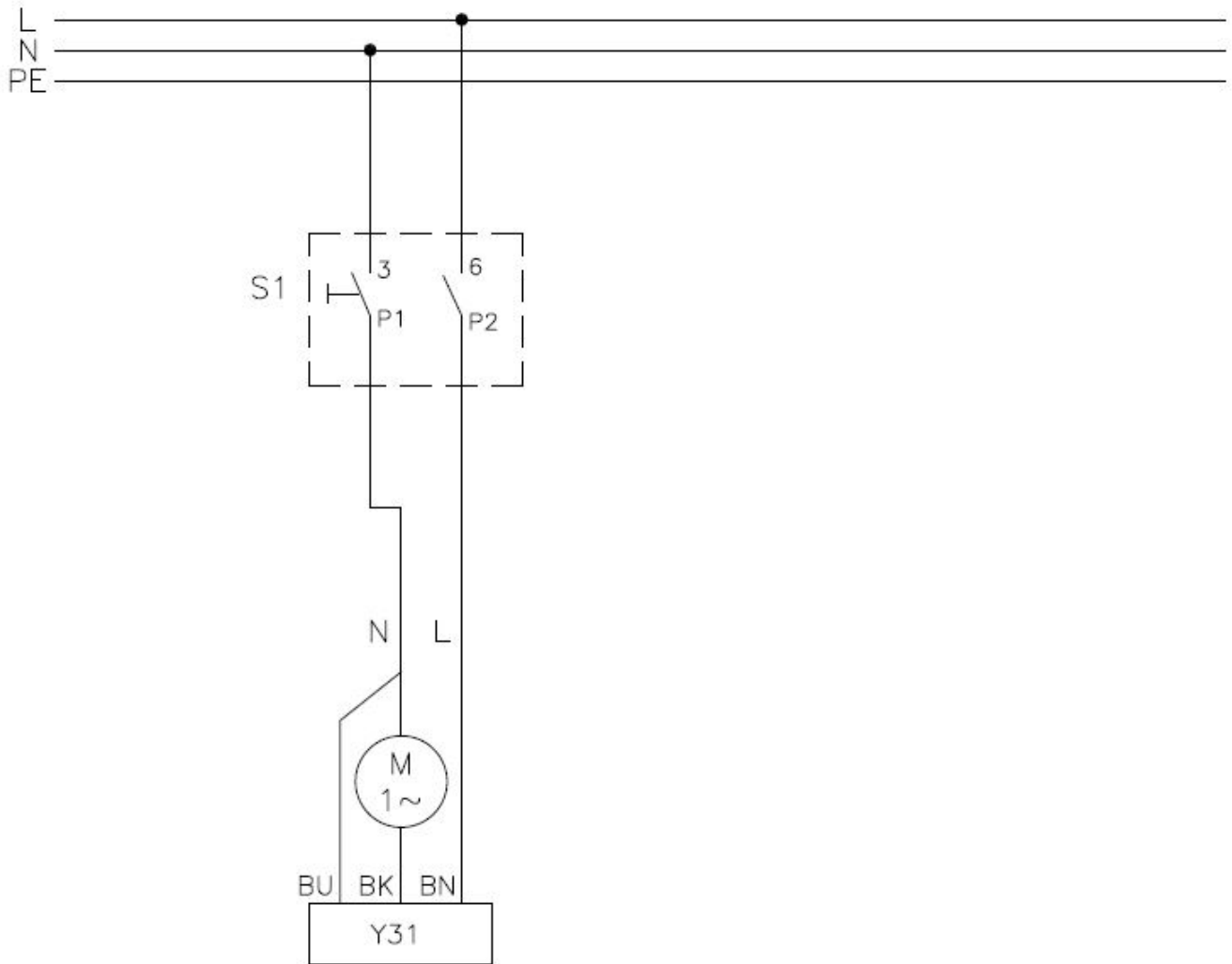
4 Handle



4 Handle

Item no.	Article no.	Description	Quantity
1	074686	Base support handle NEO 230	1
2	074687	Switch housing NEO 230	1
3	074653	Handle NEO 230	1
4	085658	Two-hand switch 12A	1
5	014738	Cylinder head screw M 8x40 DIN 912	2
6	017684	Cylinder head screw M4x45 DIN 912	1
7	014816	Hexagon nut M8 DIN 985	2
8	014759	Countersunk screw M8x18 DIN 7991 10.9	4
9	014860	Schnorr Washer M8	2
10	017663	Tooth lock washer 4.3 Form A DIN 6797	2
11	017473	Cylinder head screw M4x8 DIN 84 brass	2
12	014975	Electrical cord3G1,5X0,4m black Schukost	1
13	085448	Cable glandSR-M 20x1,5/KB9-11mm	2
14	081193	Motor cable w.clutch NEO 230	1
15	125896	Label Wolff 3D Ø30mm	1
16	017786	Tooth lock washer 10.5 DIN 6797	2
17	017741	Washer M14 DIN 125	2
18	042473	Clamping lever GN300-78-M10-SW	2
19	085568	Flat round screw M10X65 DIN 603 8.8	2
20	076540	Current limiter 115-230V 3adrig GEFI	1
21	018280	Cylinder head screw M4x8 DIN 912	1
22	016961	Snorr washer M4	2
23	086133	Handgrip round short Ø31 x 412 mm	1
24	086089	PVC-grip covering Ø30x155mm	2
25	086092	BG-handel round short	1
26	067749	cable retention	1
27	085608	BG-Handle SPS230	1

5 Circuit diagram



5 Circuit diagram

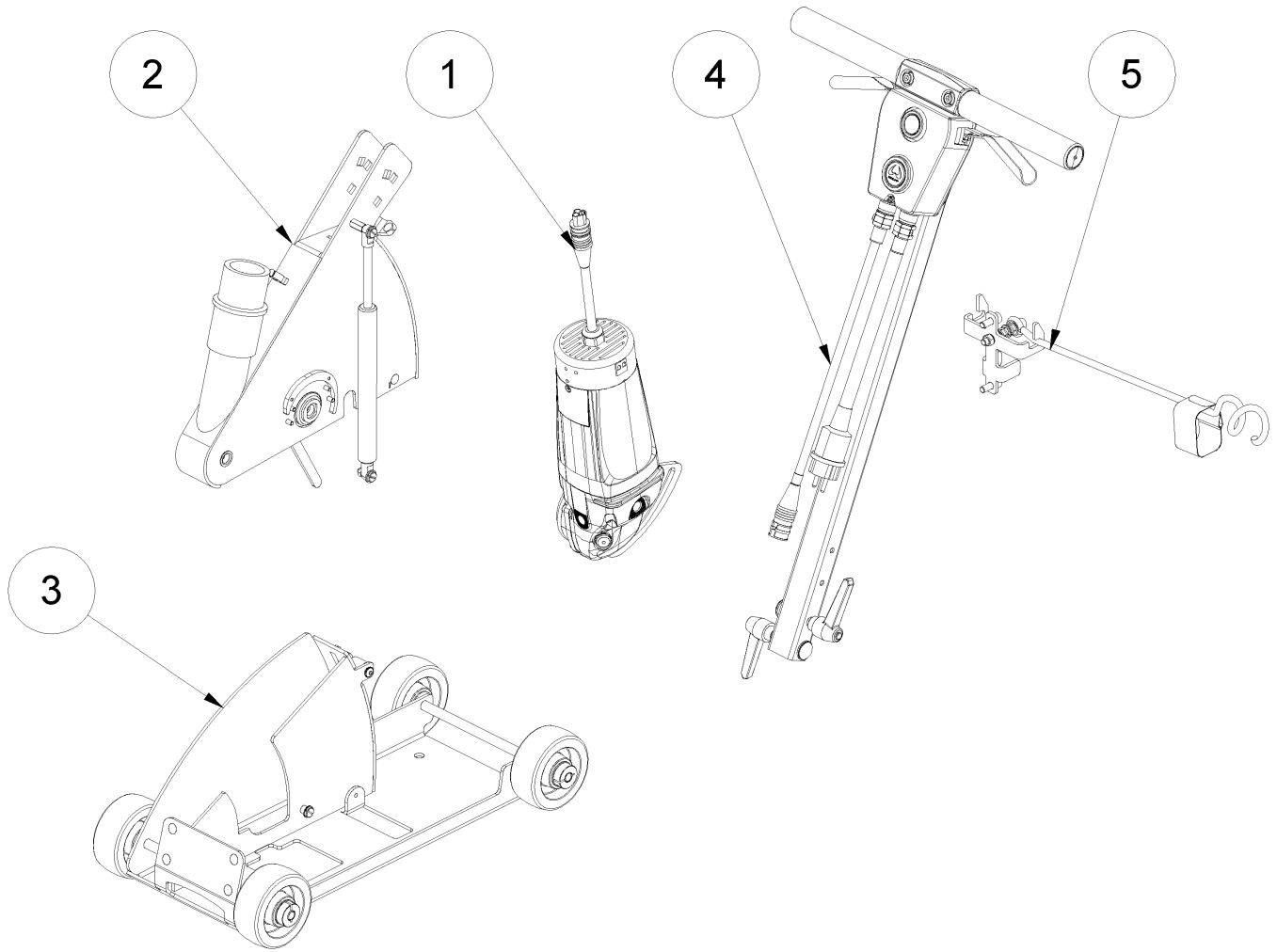
6 Tool kit

Article no.	Description
085147	HM-woodsaw blade Ø 230
015315	Hearing protectors

7 Accessories

Article no.	Description
085148	PKD-woodsaw blade Ø 230
085149	DIA-screed saw blade Ø 230
085541	DIA-concrete cutting disc Ø 230 blue
085141	Distance holder Parquet saw

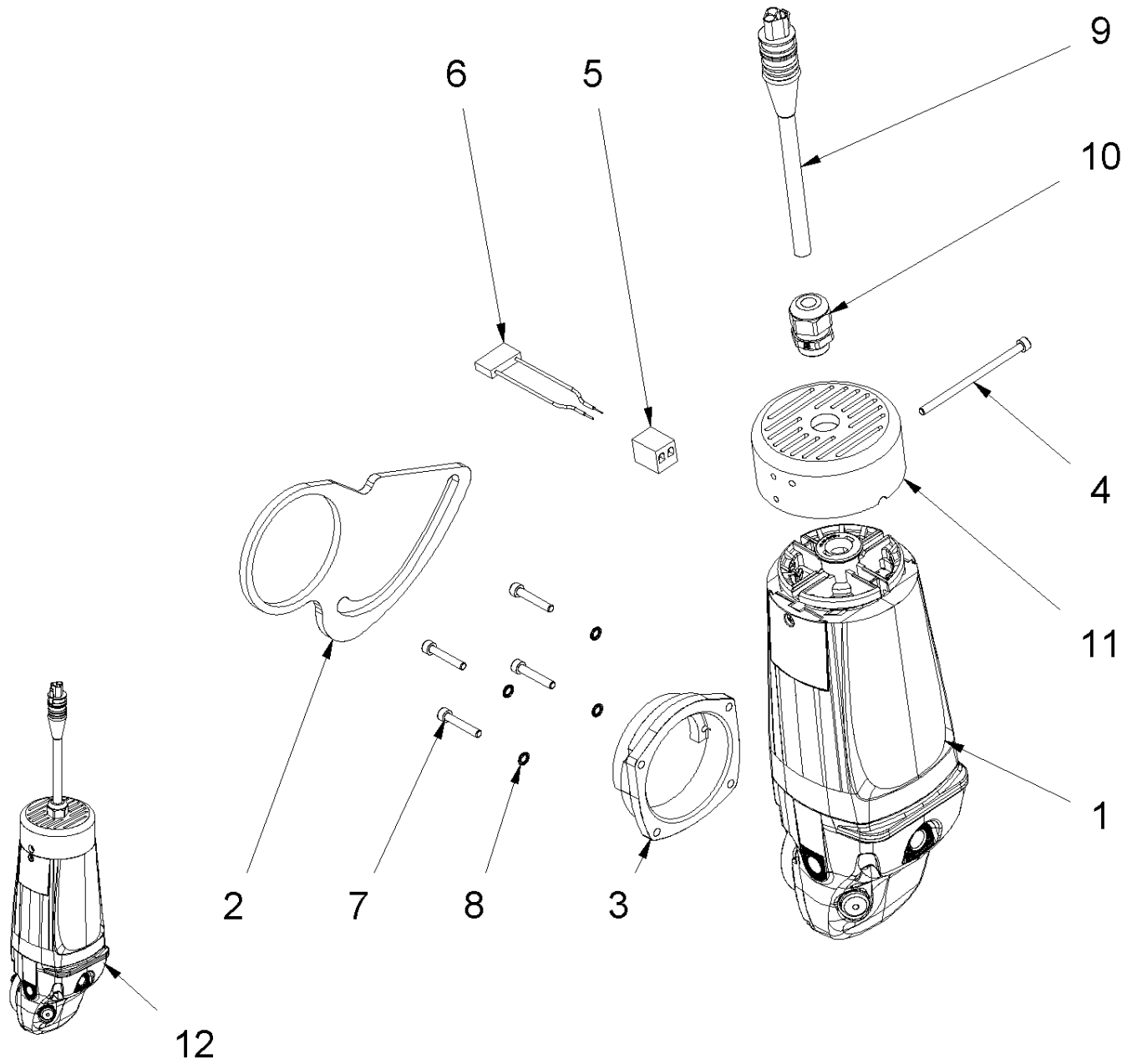
2 Parquet saw PS230 (0118/2020-heute)



2 Parquet saw PS230 (0118/2020-heute)

Item no.	Article no.	Description
1	01_01_085614	Motor
2	01_02_084919	Cover till march 2023
2	02_02_084919	Cover from April 2023
3	01_03_084919	Carriage
4	01_04_085608	Handle up to machine no. 0294 / 2024
4	02_04_085608	Handle from machine no. 0295 / 2024
5	02_04_011858	Cable support
6	01_05_084919	Circuit diagram
7	01_06_084919	Tool kit
8	01_07_084919	Accessories

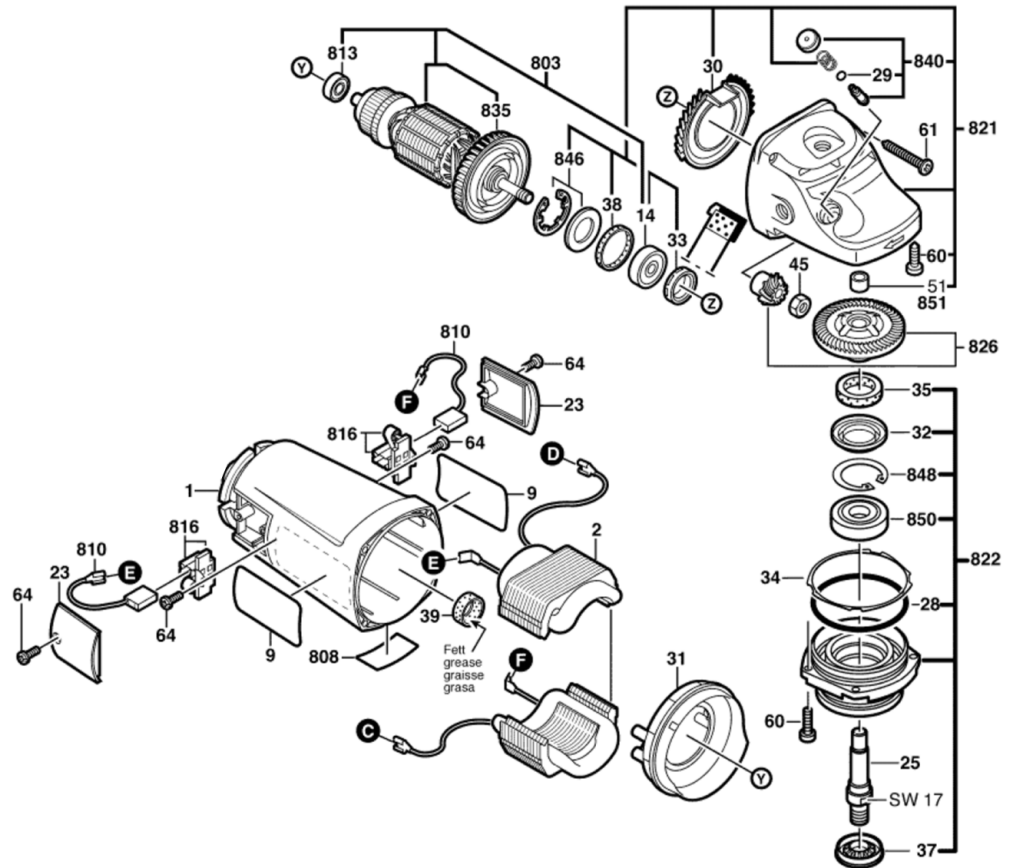
1 Motor



1 Motor

Item no.	Article no.	Description	Quantity
1	085611	Motor 230V Bosch schwarz PS230	1
2	085563	Cover Gecko Star PS230	1
3	085556	Bride Boschmotor PS230	1
4	014724	Cylinder head screw M5x90 DIN912	1
5	056685	Ceramik-terminal	1
6	175868	Suppression module Snubber 230V/115V	1
7	018278	Cylinder head screw M5x30 DIN 912	4
8	014858	Schnorr washer M5	4
9	081194	Motor cable w.plug NEO 230	1
10	051948	Cable gland M20x1.5	1
11	015130	Motor cover, new Turbo	1
12	085614	BG-Motor 230V PS230	1

1 Motor 230V Bosch schwarz PS230



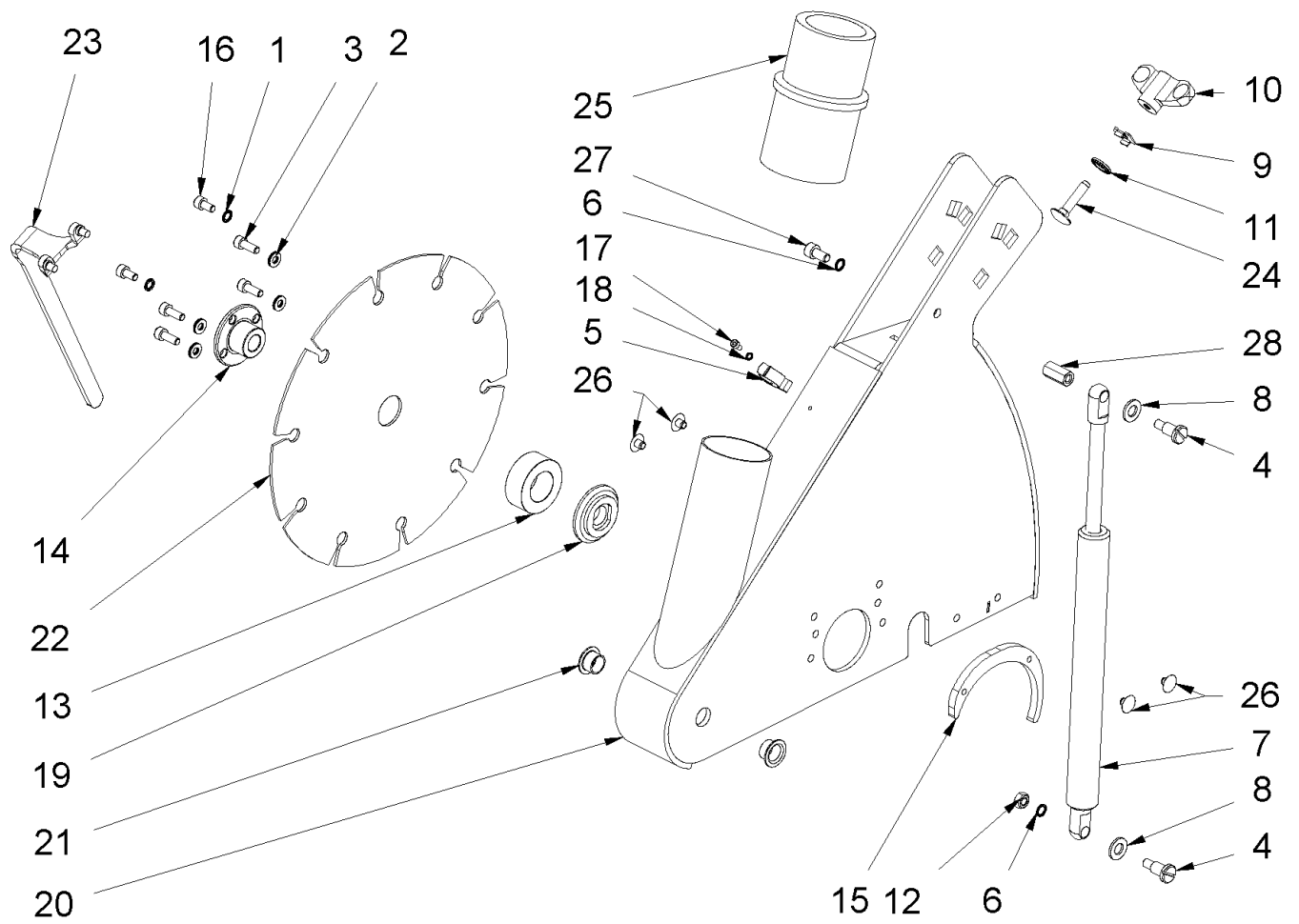
1 Motor 230V Bosch schwarz PS230

Item no.	Article no.	Description	Quantity
1	070728	Motor housing f.motor Bosch 2600W	1
2	017441	Pole piece 230V 2600W Bosch	1
9		Label	2
14	075505	Ball bearing f.BoschMotorGWS26-230	1
23	019482	Carbon brush cap	2
25	036803	Spindle	1
28	081792	O-Ring Ø79x1,8 mm	1
29	078700	Sealing ring f.Motor GSW26	1
30		Air Distributor	1
31	079226	Air ring stirring unit f.MotorBosch2600W	1
32	173681	Retaining snap ring	1
33	039983	Oil seal washer f. Turbo/Super Motor	1
34	071400	Washer Turbo Engine Bosch	1
35		Felt Washer	1
37		Sealing ring	1
38	078303	Rubber ring f.Motor GSW26	1
39	078702	Rubber ring f.Motor GSW26	1
45	088399	Hexagon nut Bosch M10, SW14	1
51	054436	friction bearing	1
60		Thread-forming tap. Screw	4
61		Tapping Screw	4
64		Self-Cutting Screw	4
103		Cable routing	1
803	017443	Armature 230V	1
808		Nameplate	1
810	015152	Carbon brush (230V/115V Turbo/Super 1 PA	1
813	078448	Ball bearing Motor Turbo/Extro	1
816	017444	Carbon brush holder f. Bosch Mot.	2
821	036554	Gear block housing Boschmotor GWS26	1
822	073076	Drive hub plate f.GWS 26-30	1
826	033959	Cone wheel set	1
833	039983	Oil seal washer f. Turbo/Super Motor	1
835		Fan	1
840	036804	Pushbutton	1

1 Motor 230V Bosch schwarz PS230

Item no.	Article no.	Description	Quantity
846	078747	Supporting washer f.Motor GSW26	1
848		Spring retaining ring	1
850		Deep-Groove Ball Bearing	1
851	033961	Needle bushing	1

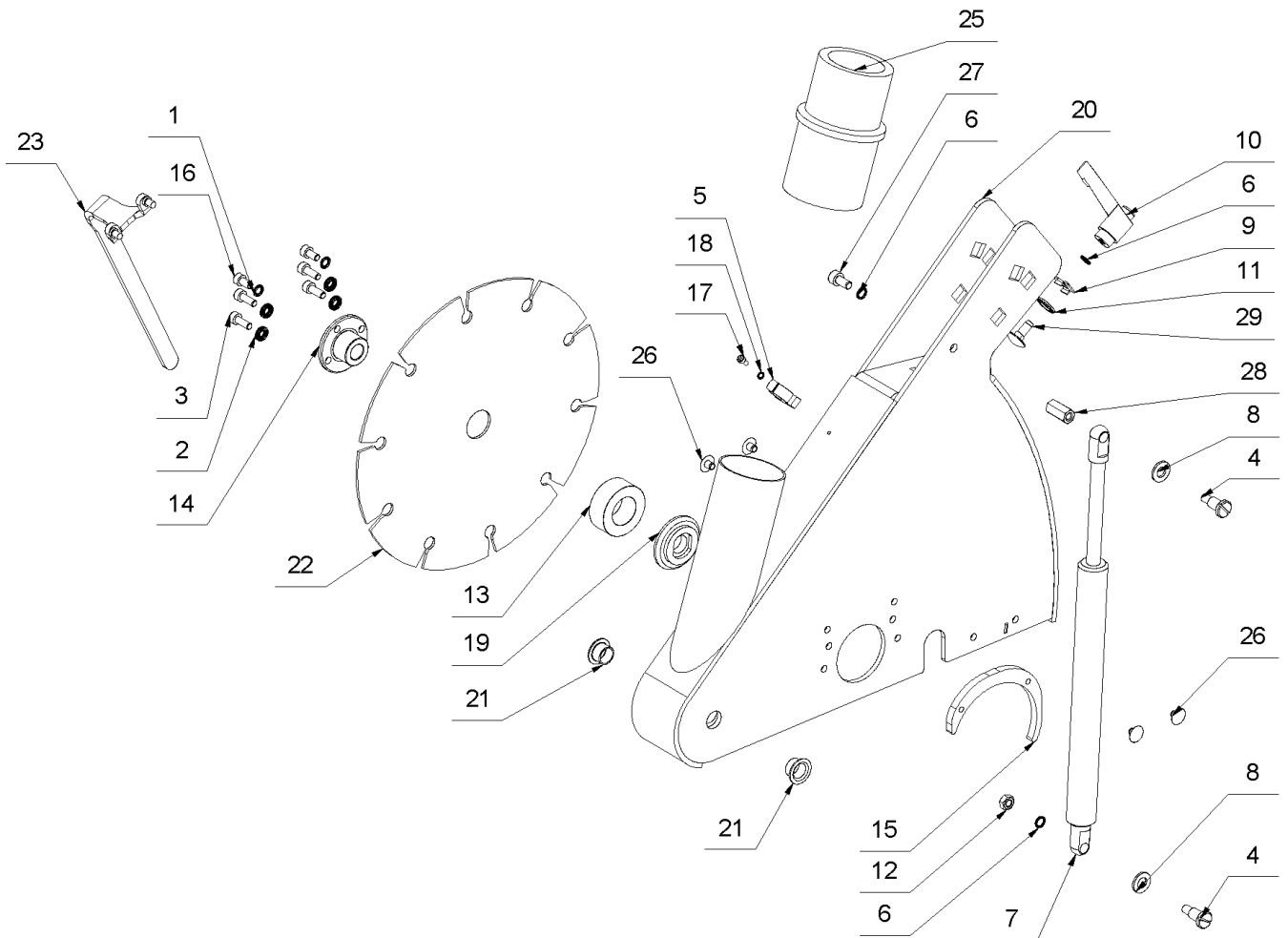
2 Cover till march 2023



2 Cover till march 2023

Item no.	Article no.	Description	Quantity
1	014858	Schnorr washer M5	2
2	076702	safety washer M 5	4
3	017742	Cylinder head screw M 5x14 DIN 912	4
4	085569	Collar screw M6x12 5.8 DIN923	2
5	083821	Spring steel clamp galvanized	1
6	014859	Schnorr washer M6	2
7	084682	Gas spring Hub 150 parquet saw	1
8	014828	Washer M8 DIN 125 A	2
9	085554	Pointer PS230	1
10	085565	Wing nut 634-55-M6-D	1
11	085591	Blocking device for Ø M8	1
12	014809	Hexagon nut M6 DIN 934	1
13	085564	Distance washer PS230	1
14	017424	Two-hole clamping nut	1
15	085555	C-disc PS230	1
16	014719	Cylinder head screw M5x10 DIN 912	2
17	053439	Cylinder head screw M3x6 DIN 912	1
18	017772	Schnorr washer M3	1
19	070329	Driver disc BS180/EF135	1
20	085610	SG-Hood PS230	1
21	019090	Bushing BB 1209 DU	2
22	085147	HM-woodsaw blade Ø 230	1
23	014961	twin hole spanner DIN3116-SW35-5.5mm	1
24	014782	Flat round screw M6X20 DIN 603	1
25	038921	Suction nozzle f. Vacu-+Comp.clean+Mambo	1
26	060937	blind plug D 5,4x13x7,4	4
27	014726	Cylinder head screw M6x12 DIN 912	1
28	085570	Distanzmuffe M6x20 SW 10	1

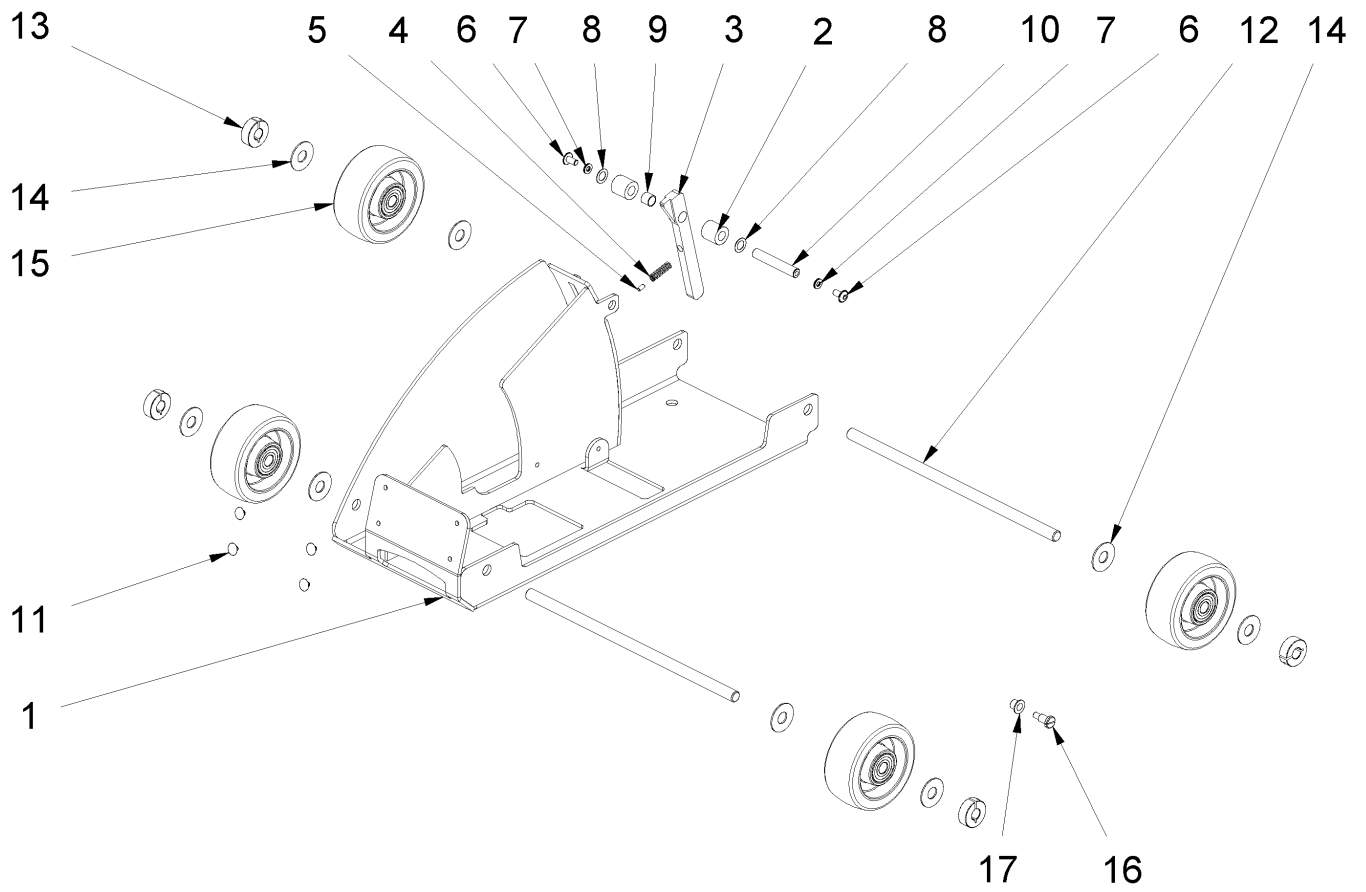
2 Cover from April 2023



2 Cover from April 2023

Item no.	Article no.	Description	Quantity
1	014858	Schnorr washer M5	2
2	076702	safety washer M 5	4
3	017742	Cylinder head screw M 5x14 DIN 912	4
4	085569	Collar screw M6x12 5.8 DIN923	2
5	083821	Spring steel clamp galvanized	1
6	014859	Schnorr washer M6	3
7	084682	Gas spring Hub 150 parquet saw	1
8	014828	Washer M8 DIN 125 A	2
9	085554	Pointer PS230	1
10	175821	Clamp lever GN 300.1-45-M6-SW	1
11	085591	Blocking device for Ø M8	1
12	014809	Hexagon nut M6 DIN 934	1
13	085564	Distance washer PS230	1
14	017424	Two-hole clamping nut	1
15	085555	C-disc PS230	1
16	014719	Cylinder head screw M5x10 DIN 912	2
17	053439	Cylinder head screw M3x6 DIN 912	1
18	017772	Schnorr washer M3	1
19	017608	Mounting flange SEE 70329	1
20	085610	SG-Hood PS230	1
21	019090	Bushing BB 1209 DU	2
22	085147	HM-woodsaw blade Ø 230	1
23	014961	twin hole spanner DIN3116-SW35-5.5mm	1
25	038921	Suction nozzle f. Vacu.+Comp.clean+Mambo	1
26	060937	blind plug D 5,4x13x7,4	4
27	014726	Cylinder head screw M6x12 DIN 912	1
28	085570	Distanzmuffe M6x20 SW 10	1
29	018732	Flat round screw M6X16 DIN 603	1

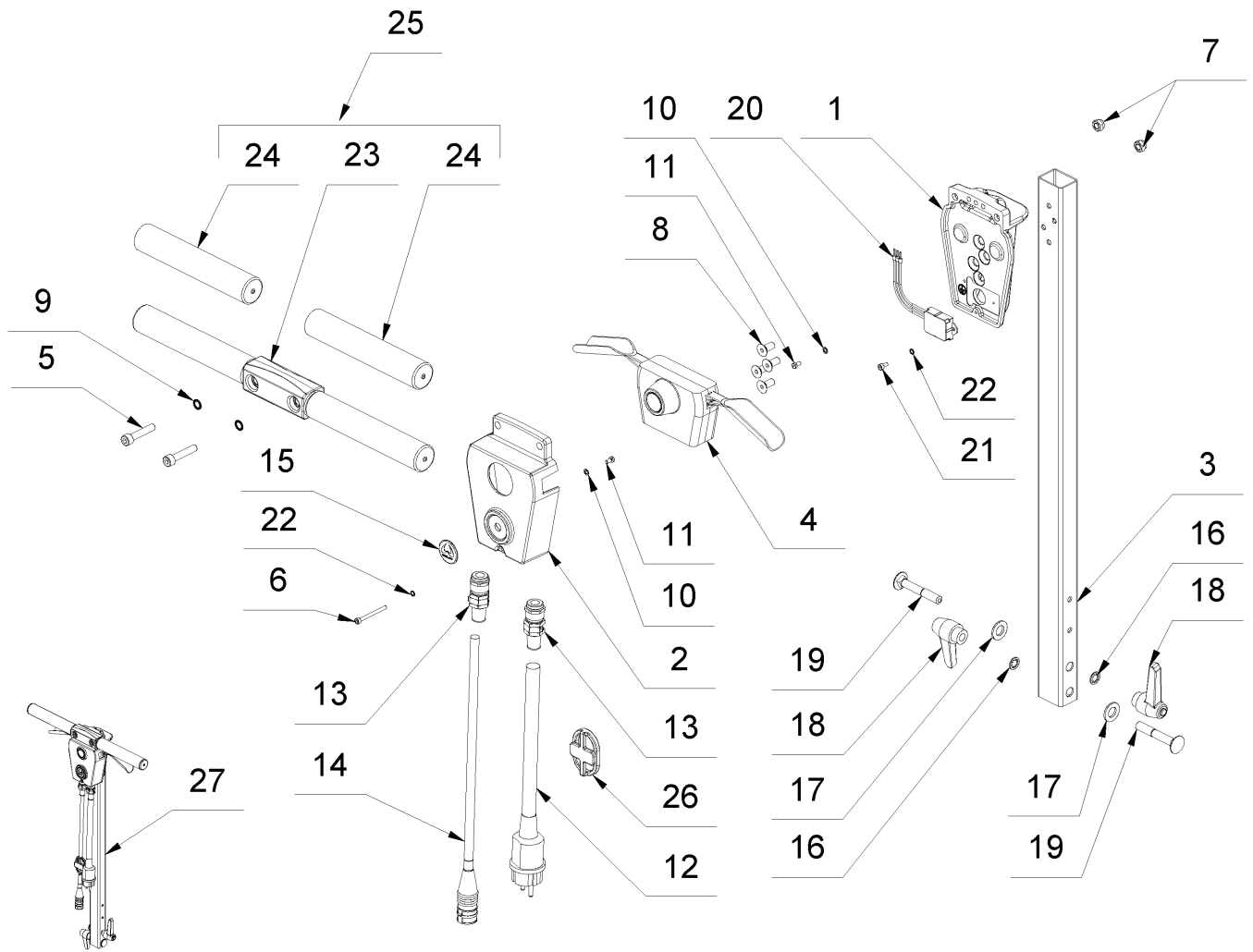
3 Carriage



3 Carriage

Item no.	Article no.	Description	Quantity
1	085609	SG-Running gear PS230	1
2	085571	Distanz Washer Ø 10,5xØ20x20	2
3	085561	Riegel PS230	1
4	017474	Pressure spring 7,5x26x1	1
5	085703	Shaft screw M 4x8 DIN 427	1
6	017553	Lens head screw M6x12	2
7	079861	Safety washer M6	2
8	018083	Shim ring 10x16x0.5 / DIN 988	2
9	014912	Bushing 1010	1
10	085560	Shaft latch PS230	1
11	060937	blind plug D 5,4x13x7,4	4
12	085558	Axle Ø12 PS230	2
13	080076	Tension ring slitted Ø 12	4
14	084925	Washer 13x32x1,5 DIN 522	8
15	085680	Wheel Ø100x40- Rubber with ball bearing	4
16	085569	Collar screw M6x12 5.8 DIN923	1
17	074278	Bushing GFN0810-0	1

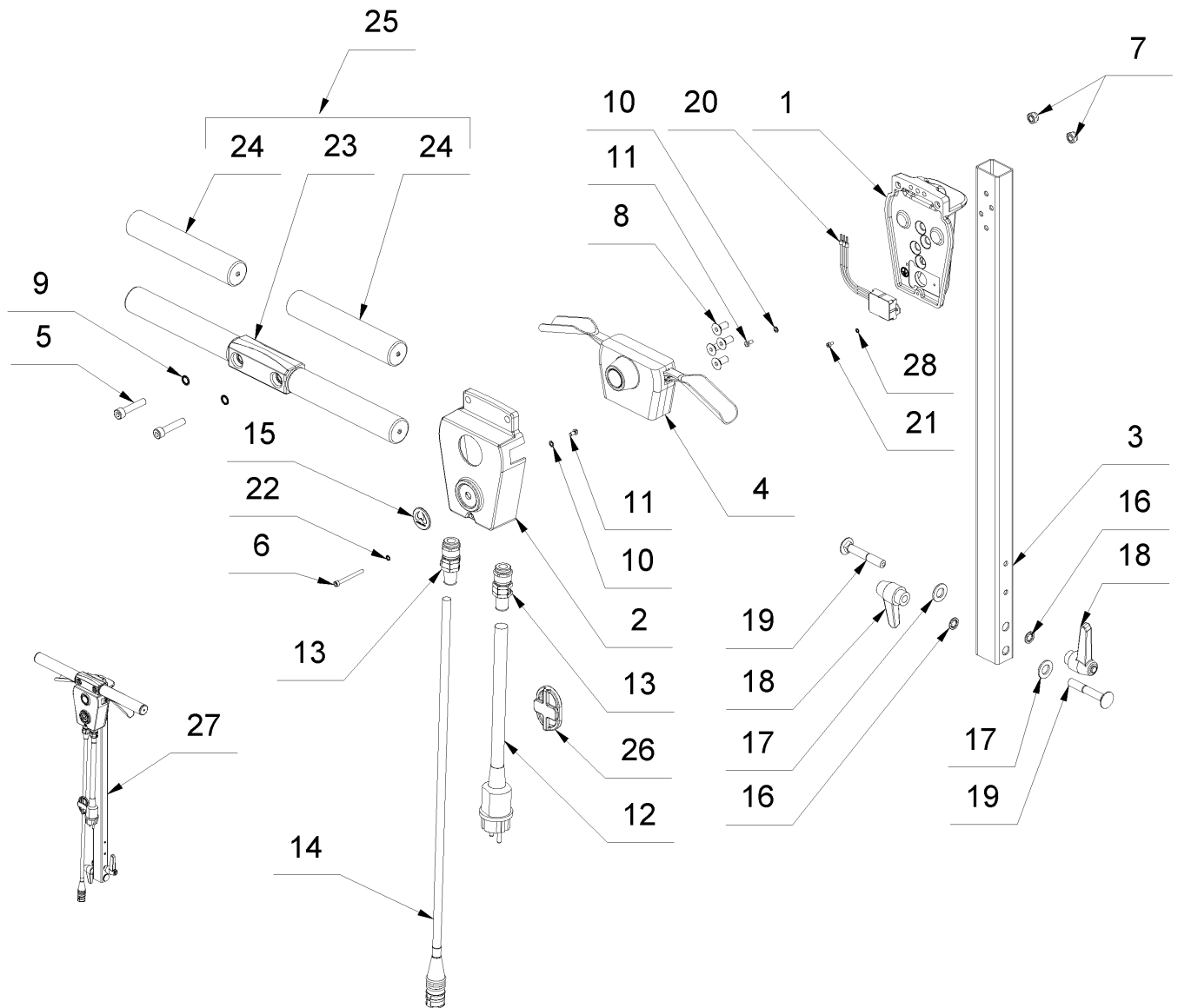
4 Handle up to machine no. 0294 / 2024



4 Handle up to machine no. 0294 / 2024

Item no.	Article no.	Description	Quantity
1	074686	Base support handle NEO 230	1
2	074687	Switch housing NEO 230	1
3	074653	Handle NEO 230	1
4	085658	Two-hand switch 12A	1
5	014738	Cylinder head screw M 8x40 DIN 912	2
6	017684	Cylinder head screw M4x45 DIN 912	1
7	014816	Hexagon nut M8 DIN 985	2
8	014759	Countersunk screw M8x18 DIN 7991 10.9	4
9	014860	Schnorr Washer M8	2
10	017663	Tooth lock washer 4.3 Form A DIN 6797	2
11	017473	Cylinder head screw M4x8 DIN 84 brass	2
12	014975	Electrical cord3G1,5X0,4m black Schukost	1
13	085448	Cable glandSR-M 20x1,5/KB9-11mm	2
14	081193	Motor cable w.clutch NEO 230	1
15	125896	Label Wolff 3D Ø30mm	1
16	017786	Tooth lock washer 10.5 DIN 6797	2
17	017741	Washer M14 DIN 125	2
18	042473	Clamping lever GN300-78-M10-SW	2
19	085568	Flat round screw M10X65 DIN 603 8.8	2
20	076540	Current limiter 115-230V 3adrig GEFI	1
21	018280	Cylinder head screw M4x8 DIN 912	1
22	016961	Snorr washer M4	2
23	086133	Handgrip round short Ø31 x 412 mm	1
24	086089	PVC-grip covering Ø30x155mm	2
25	086092	BG-handel round short	1
26	067749	cable retention	1
27	085608	BG-Handle SPS230	1

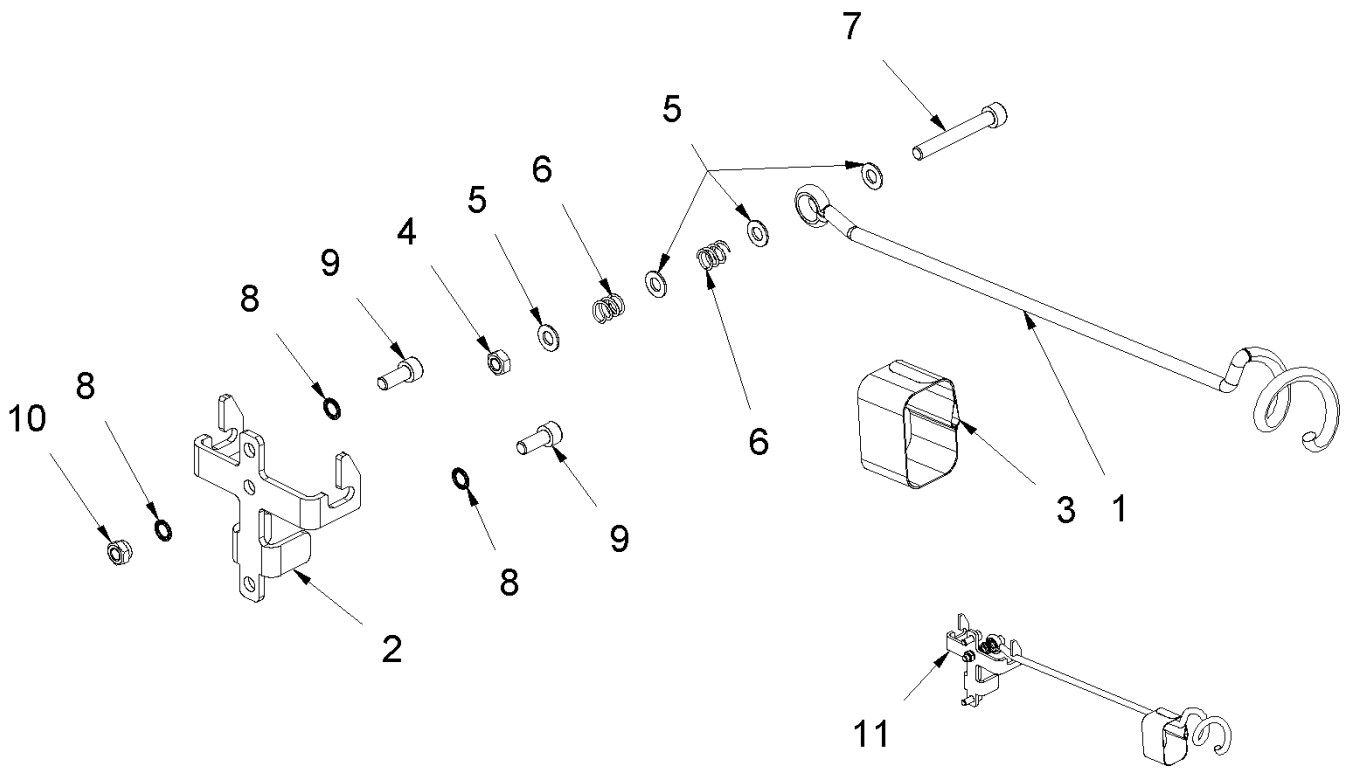
4 Handle from machine no. 0295 / 2024



4 Handle from machine no. 0295 / 2024

Item no.	Article no.	Description	Quantity
1	074686	Base support handle NEO 230	1
2	074687	Switch housing NEO 230	1
3	074653	Handle NEO 230	1
4	085658	Two-hand switch 12A	1
5	014738	Cylinder head screw M 8x40 DIN 912	2
6	017684	Cylinder head screw M4x45 DIN 912	1
7	014816	Hexagon nut M8 DIN 985	2
8	014759	Countersunk screw M8x18 DIN 7991 10.9	4
9	014860	Schnorr Washer M8	2
10	017663	Tooth lock washer 4.3 Form A DIN 6797	2
11	017473	Cylinder head screw M4x8 DIN 84 brass	2
12	014975	Electrical cord3G1,5X0,4m black Schukost	1
13	085448	Cable glandSR-M 20x1,5/KB9-11mm	2
14	081193	Motor cable w.clutch NEO 230	1
15	125896	Label Wolff 3D Ø30mm	1
16	017786	Tooth lock washer 10.5 DIN 6797	2
17	017741	Washer M14 DIN 125	2
18	042473	Clamping lever GN300-78-M10-SW	2
19	085568	Flat round screw M10X65 DIN 603 8.8	2
20	076540	Current limiter 115-230V 3adrig GEFI	1
21	053439	Cylinder head screw M3x6 DIN 912	1
22	016961	Snorr washer M4	1
23	086133	Handgrip round short Ø31 x 412 mm	1
24	086089	PVC-grip covering Ø30x155mm	2
25	086092	BG-handel round short	1
26	067749	cable retention	1
27	085608	BG-Handle SPS230	1
28	017772	Schnorr washer M3	1

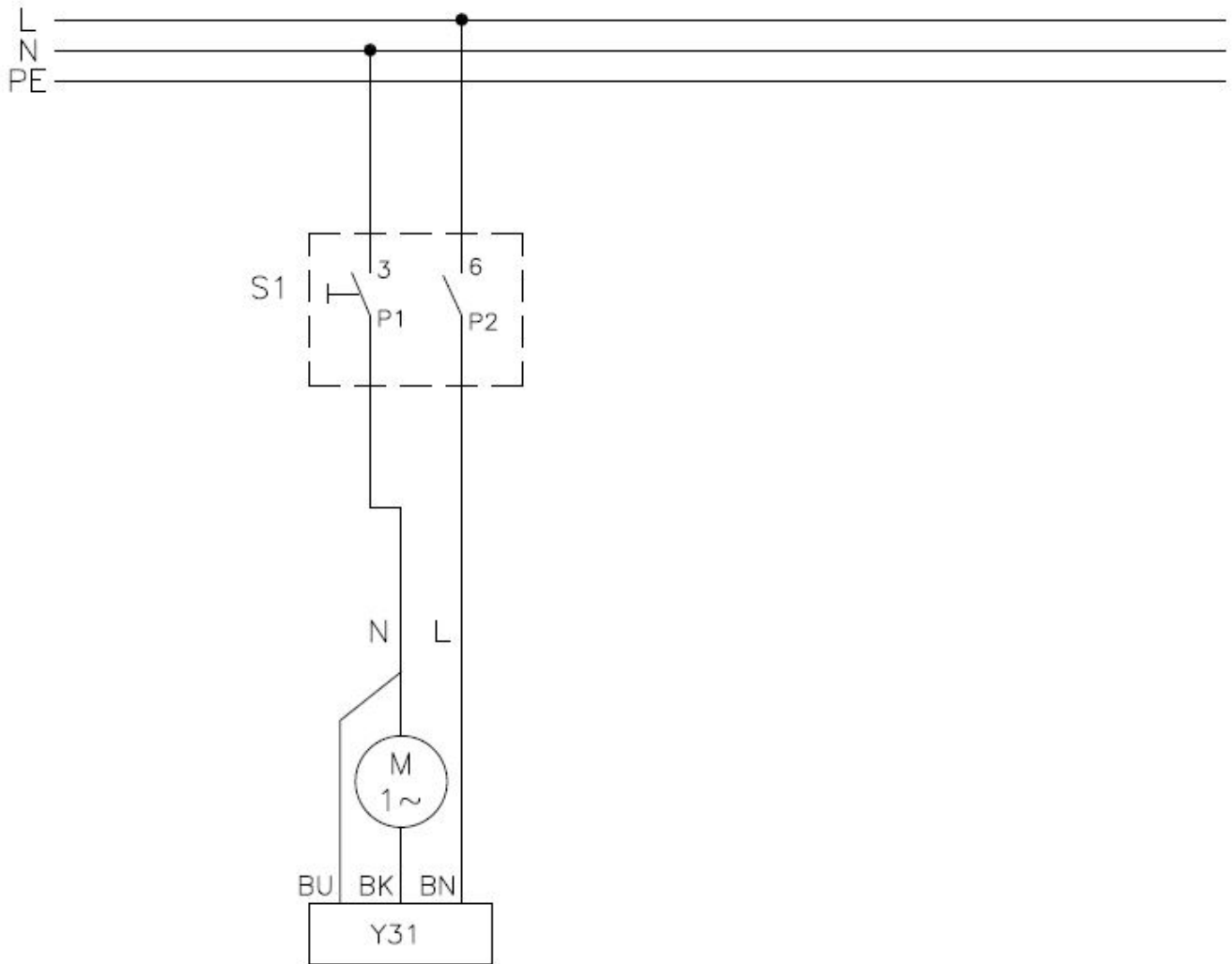
5 Cable support



5 Cable support

Item no.	Article no.	Description	Quantity
1	014548	Cable arm long Viper	1
2	010392	Clamping device f.cable arm NEO 230	1
3	088593	Velcro cable tie 40cm green	1
4	014810	Hexagon nut M 8 DIN 934 I6I/I8I	1
5	014828	Washer M8 DIN 125 A	5
6	043827	Pressure spring 13x20x1,5	2
7	017622	Cylinder head screw M8x60 DIN 912	1
8	014860	Schnorr Washer M8	2
9	014734	Cylinder head screw M8x20 DIN 912	2
10	014816	Hexagon nut M8 DIN 985	1
11	011858	Cable cantilever PS230/NEO230	1

6 Circuit diagram



6 Circuit diagram

7 Tool kit

Article no.	Description
085147	HM-woodsaw blade Ø 230
015315	Hearing protectors

8 Accessories

Article no.	Description
085148	PKD-woodsaw blade Ø 230
085149	DIA-screed saw blade Ø 230
085541	DIA-concrete cutting disc Ø 230 blue
085141	Distance holder Parquet saw