



## spare parts list Parkettfräse Biber 200 EU

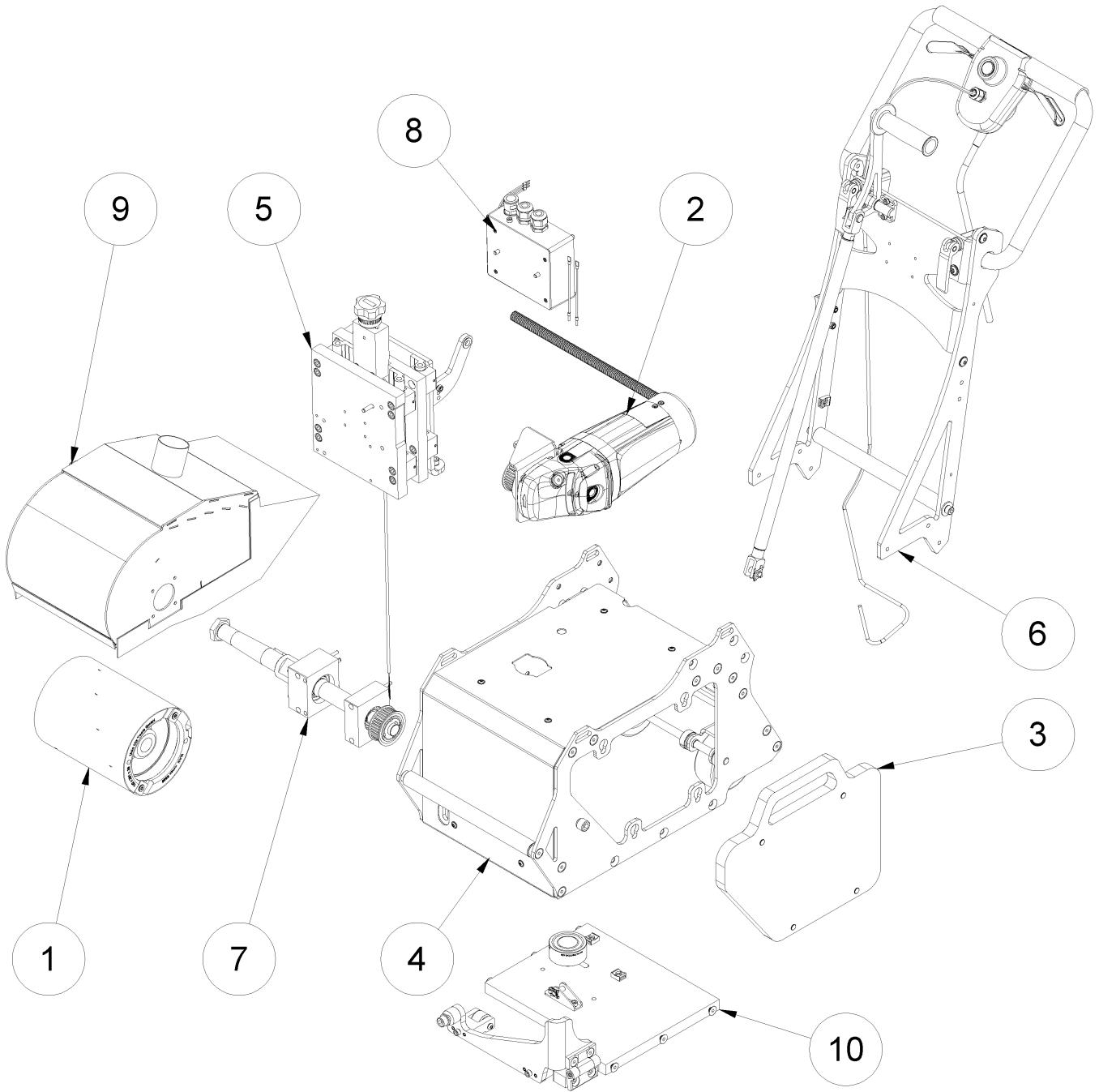


## Table of contents

---

1 Biber 200 EU (0001/2021-heute)	3
1 Milling drum	5
2 Motor	7
1 Motor 230 V Bosch Super '56	9
3 Additional weight	12
4 Frame	14
5 Linear unit	17
6 Handle	20
7 Drive shaft	22
8 Electronics	24
9 Suction hood	26
10 Handle	28
11 Circuit diagram	30
12 Tool kit	32
13 Accessories	33

# 1 Biber 200 EU (0001/2021-heute)

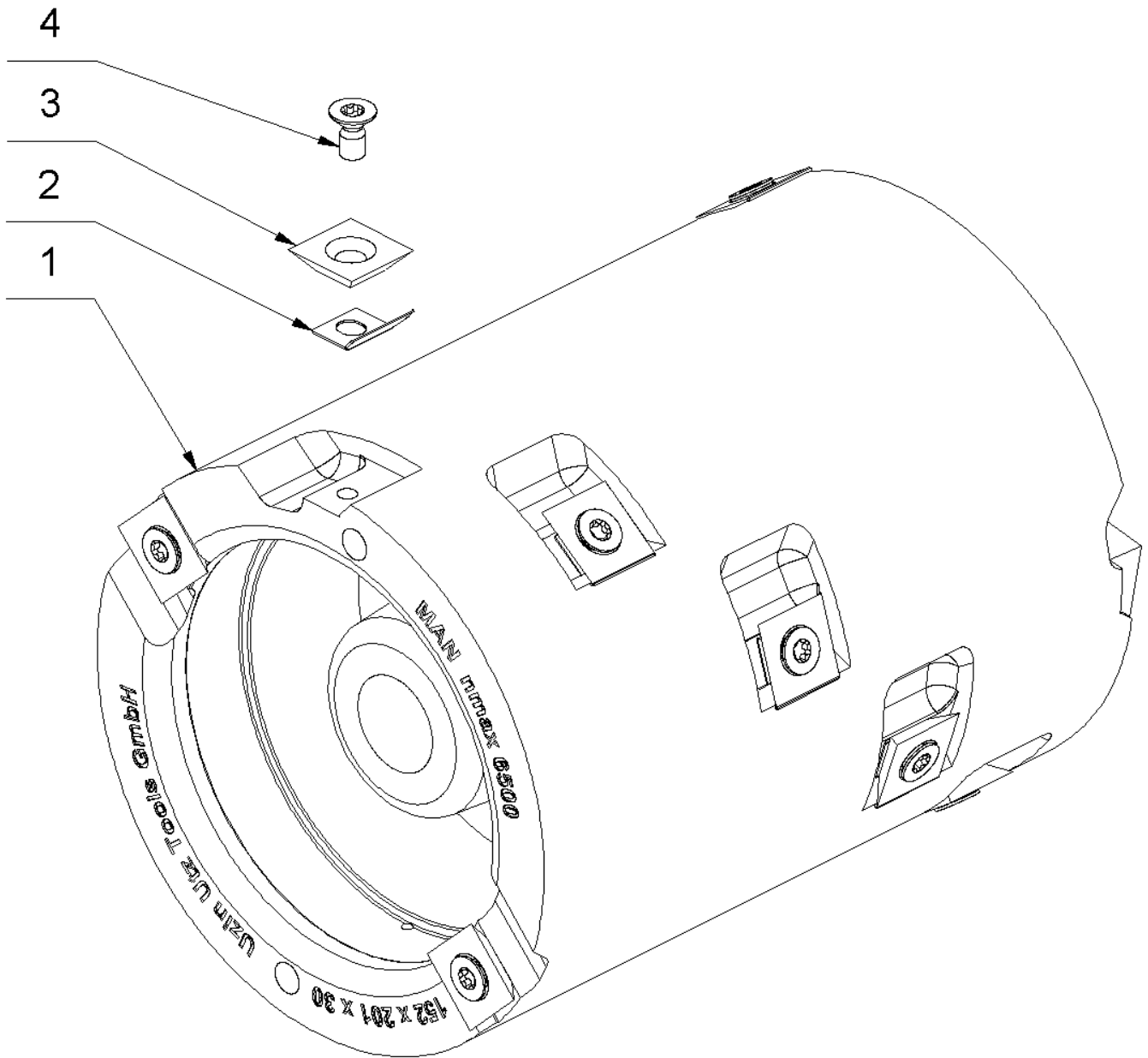


## 1 Biber 200 EU (0001/2021-heute)

---

Item no.	Article no.	Description
1	01_01_162873	Milling drum
2	01_02_162900	Motor
3	01_03_162908	Additional weight
4	01_04_162909	Frame
5	01_05_162911	Linear unit
6	01_06_162912	Handle
7	01_07_162915	Drive shaft
8	01_08_162916	Electronics
9	01_09_162917	Suction hood
10	01_10_162918	Handle
11	01_11_163361	Circuit diagram
12	163198	Tool kit
13		Accessories

# 1 Milling drum

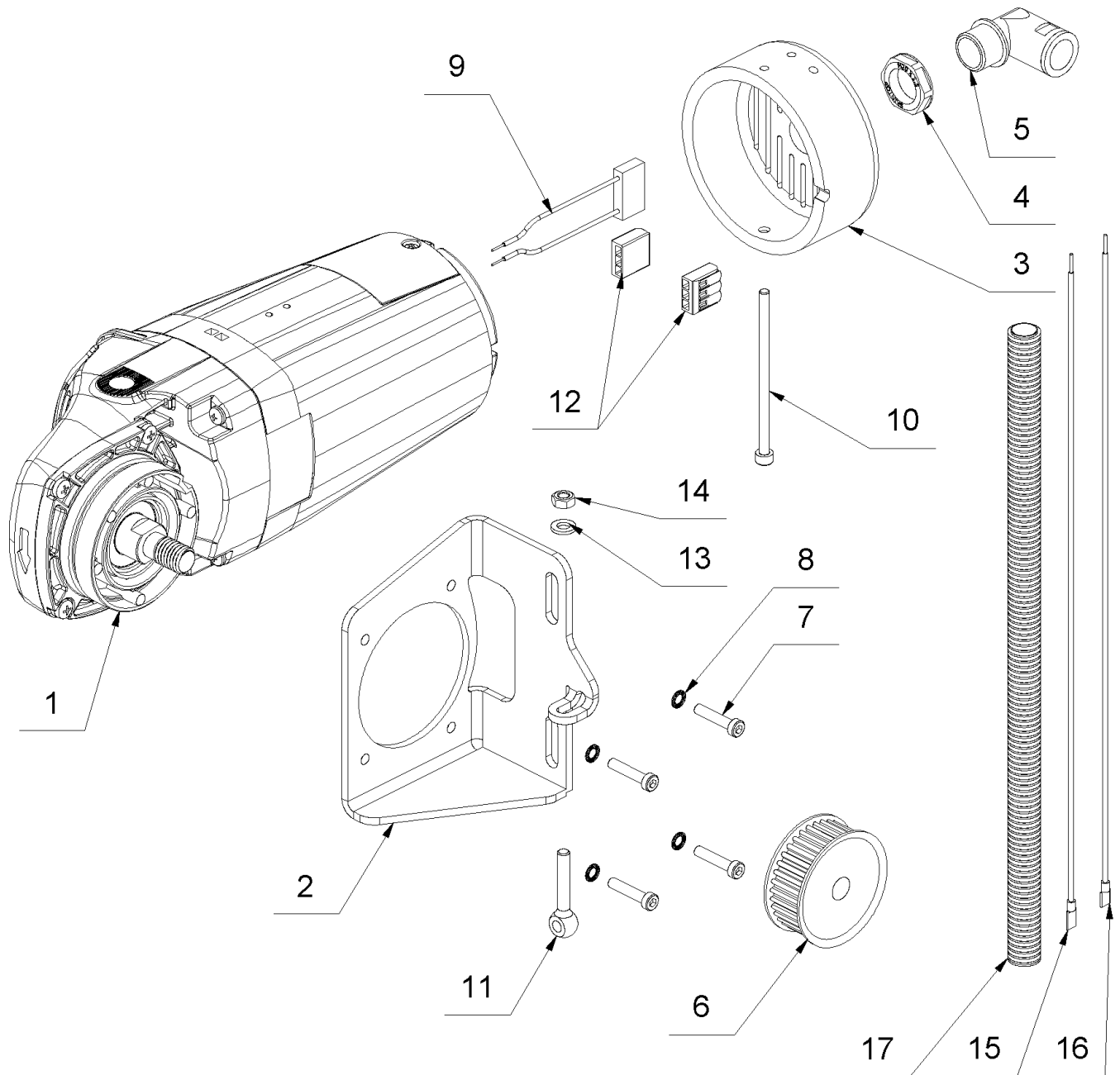


## 1 Milling drum

---

Item no.	Article no.	Description	Quantity
1	162871	Milling roller Biber	1
2	169793	Locking plate Indexable insert	10
3	162808	Reversible cutting board production	14
4	172311	Screw M6x14 ISO 14581 Polyamid Spot	14

## 2 Motor



## 2 Motor

Item no.	Article no.	Description	Quantity
1	015146	Motor 230 V Bosch Super '56	1
2	162897	Motor angle Bosch motor Biber	1
3	015130	Motor cover, new Turbo	1
4	047935	Nut PE M20x1,5	1
5	088344	Elbow fitting M20x1,5/1GY	1
6	162990	Toothed belt disk 36 5M 15	1
7	014721	Cylinder head screw M5x25 DIN 6912	4
8	014858	Schnorr washer M5	4
9	175868	Suppression module Snubber 230V/115V	1
10	014724	Cylinder head screw M5x90 DIN912	1
11	048520	Eye screw M 6x40 DIN 444	1
12	050145	Connection terminal 3-fold	2
13	014827	Washer M6 DIN 125 A	1
14	014809	Hexagon nut M6 DIN 934	1
15		Single wire blue 1,5mm motor	1
16		Single wire brown 1,5mm motor	1
17	119222	Cable Sleeve PG11Mambo 2	1





## 1 Motor 230 V Bosch Super '56

Item no.	Article no.	Description	Quantity
1	070728	Motor housing f.motor Bosch 2600W	1
2	017441	Pole piece 230V 2600W Bosch	1
14	075505	Ball bearing f.BoschMotorGWS26-230	1
23	019482	Carbon brush cap	2
25	036803	Spindle	1
28	081792	O-Ring Ø79x1,8 mm	1
29	078700	Sealing ring f.Motor GSW26	1
30		Air Distributor	1
31	079226	Air ring stirring unit f.MotorBosch2600W	1
32	173681	Retaining snap ring	1
33	039983	Oil seal washer f. Turbo/Super Motor	1
34	071400	Washer Turbo Engine Bosch	1
35		Felt Washer	1
38	078303	Rubber ring f.Motor GSW26	1
39	078702	Rubber ring f.Motor GSW26	1
45	088399	Hexagon nut Bosch M10, SW14	1
51	054436	friction bearing	1
60		Thread-forming tap. Screw	4
61		Tapping Screw	4
64		Self-Cutting Screw	4
103		Cable routing	1
803	017443	Armature 230V	1
808		Nameplate	1
810	015152	Carbon brush (230V/115V Turbo/Super 1 PA	1
813	078448	Ball bearing Motor Turbo/Extro	1
816	017444	Carbon brush holder f. Bosch Mot.	2
821	036554	Gear block housing Boschmotor GWS26	1
822	073076	Drive hub plate f.GWS 26-30	1
826	033959	Cone wheel set	1
833	039983	Oil seal washer f. Turbo/Super Motor	1
835		Fan	1
840	036804	Pushbutton	1
846	078747	Supporting washer f.Motor GSW26	1
848		Spring retaining ring	1

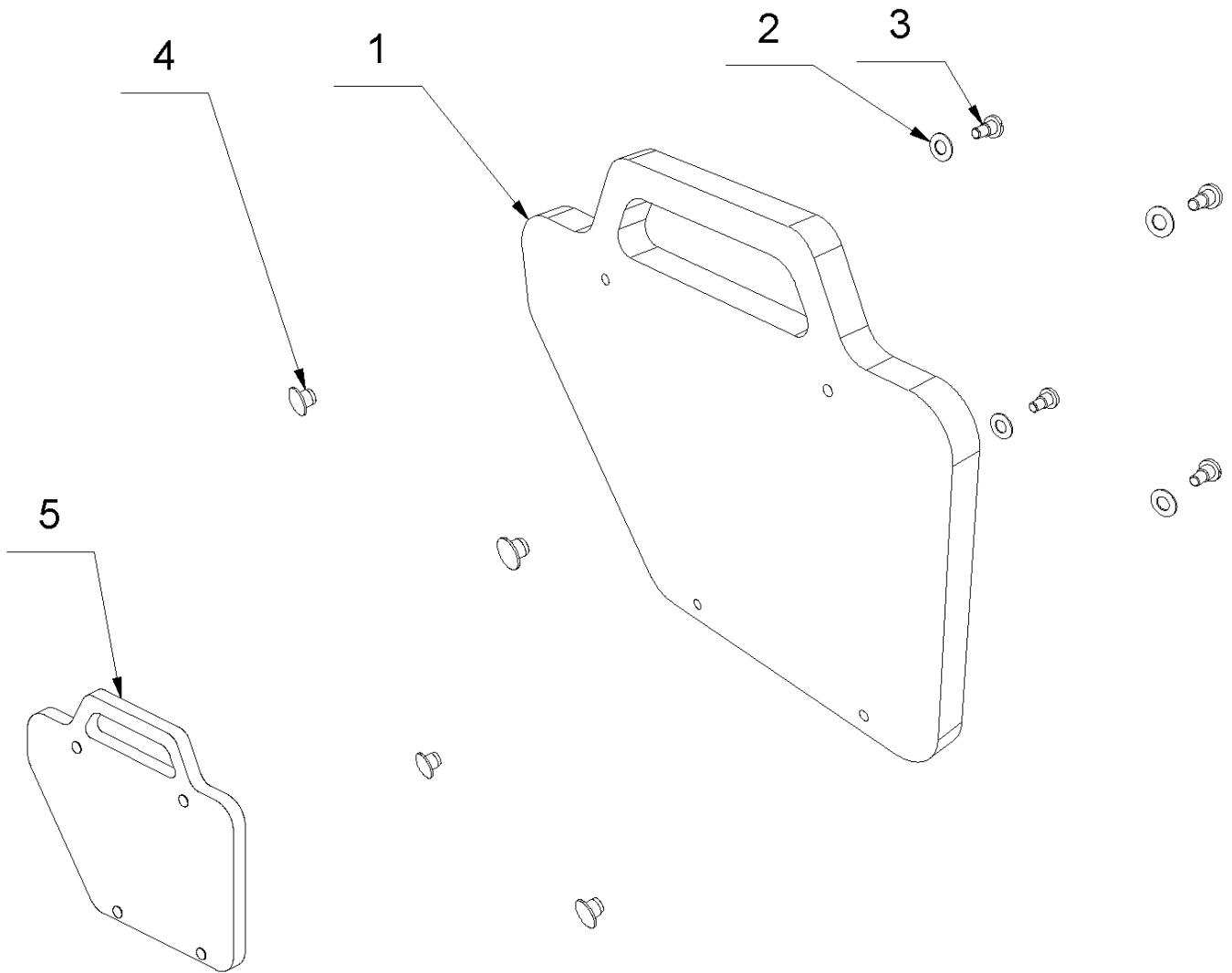
## 1 Motor 230 V Bosch Super '56

---

Item no.	Article no.	Description	Quantity
850		Deep-Groove Ball Bearing	1
851	033961	Needle bushing	1

### 3 Additional weight

---

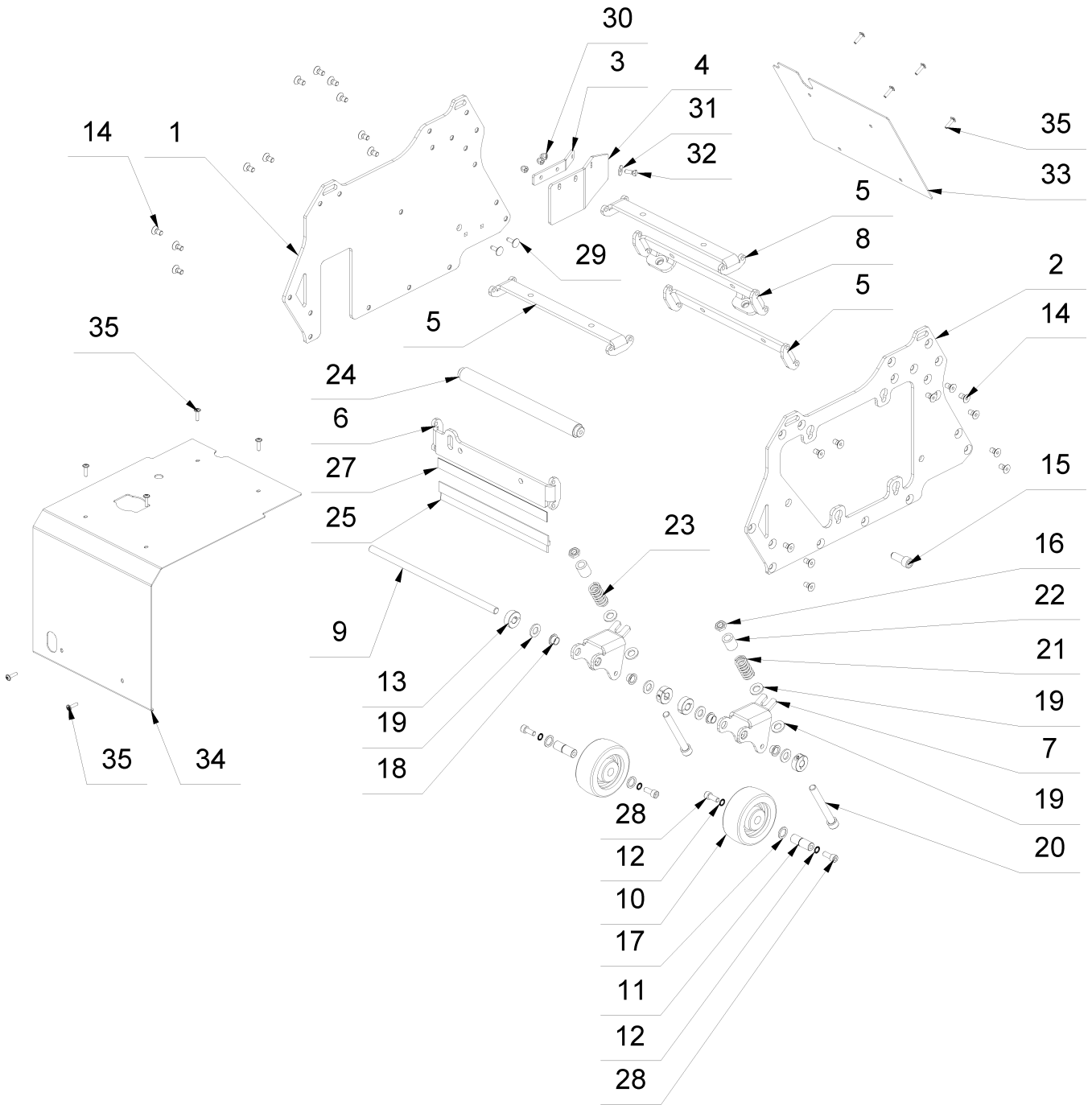


### 3 Additional weight

---

Item no.	Article no.	Description	Quantity
1	162892	Additional weight Biber	1
2	164049	Spring washer JTEM-10 20x10,2x1,1	4
3	164138	Flat head screw M8x8 DIN 923	4
4	050432	Stopper Ø8,5x15 black	4
5	162908	Additional weight parquet milling machin	1

# 4 Frame



## 4 Frame

Item no.	Article no.	Description	Quantity
1	162895	Side part right frame Biber	1
2	162827	Side part left frame Biber	1
3	162865	Holder span ladder Biber	1
4	162898	Panneau d'aggloméré Biber	1
5	162878	Cross strut frame Biber	3
6	162870	Cross brace front frame Biber	1
7	162838	Impeller fork Biber	2
8		SG Damper cross member	1
9	162108	Chassis axle Ø12 Beaver	1
10	074349	Wheel Ø98mm Cobra	2
11	014601	Caster wheel Cobra/Viper/Python	2
12	014860	Schnorr Washer M8	4
13	080076	Tension ring slitted Ø 12	4
14	016994	Counter sunk screw M8x16 DIN 7991 10.9	22
15	161768	Ball clamping screw flattened	1
16		Hexagon nut ISO 4035 - M12	2
17	074346	Shim ring 15x21x2 DIN 988	4
18	019090	Bushing BB 1209 DU	4
19	014830	Washer M12 DIN 125 A	8
20	161846	Cylinder screw 8.8 M12x100 DIN 912	2
21	161989	Pressure spring 25x12,5x44 green	1
22	162087	Spacer sleeve Ø12.5xØ20x24	2
23	161987	Pressure spring 25x12,5x44 blue	1
24	162013	Handle bar Biber	1
25	163211	Strip brush light grey 270mm Biber	1
26	162796	Velour tape self-adhesive 20x270	1
27	162795	Velcro tape self-adhesive 20x270	1
28	014734	Cylinder head screw M8x20 DIN 912	4
29	014782	Flat round screw M6x20 DIN 603	2
30	017728	cap nut M 6 DIN 986	3
31	017724	Washer DIN 9021 6,4x18x1,6	1
32	014770	Hexagonal screw M 6x16 DIN 933	1
33	162846	Machine cover rear beaver	1
34	162847	Machine cover front beaver	1

## 4 Frame

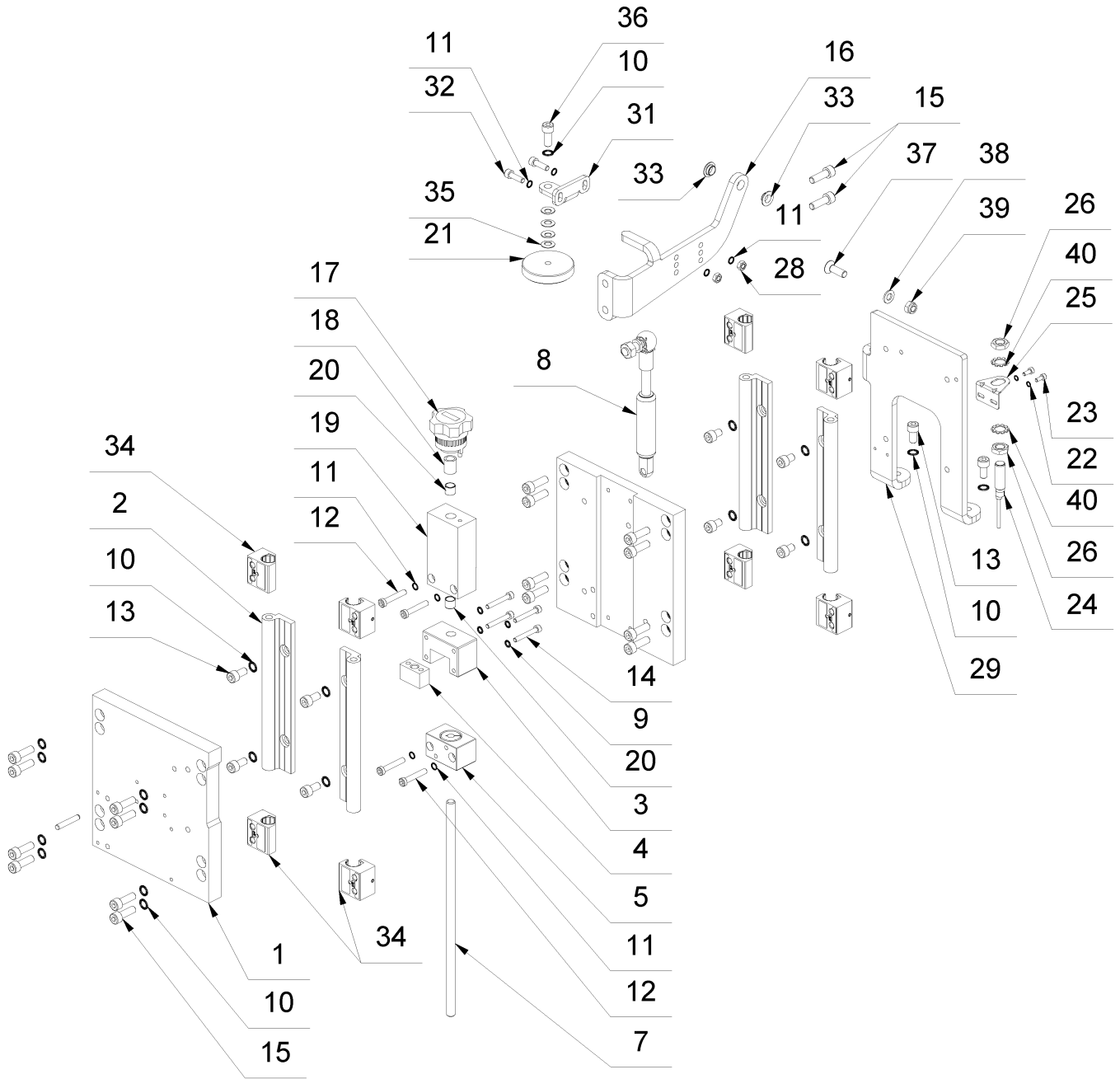
---

Item no.	Article no.	Description	Quantity
35		Lenticular head screw ISO 7380 M5x20	10

---



# 5 Linear unit



## 5 Linear unit

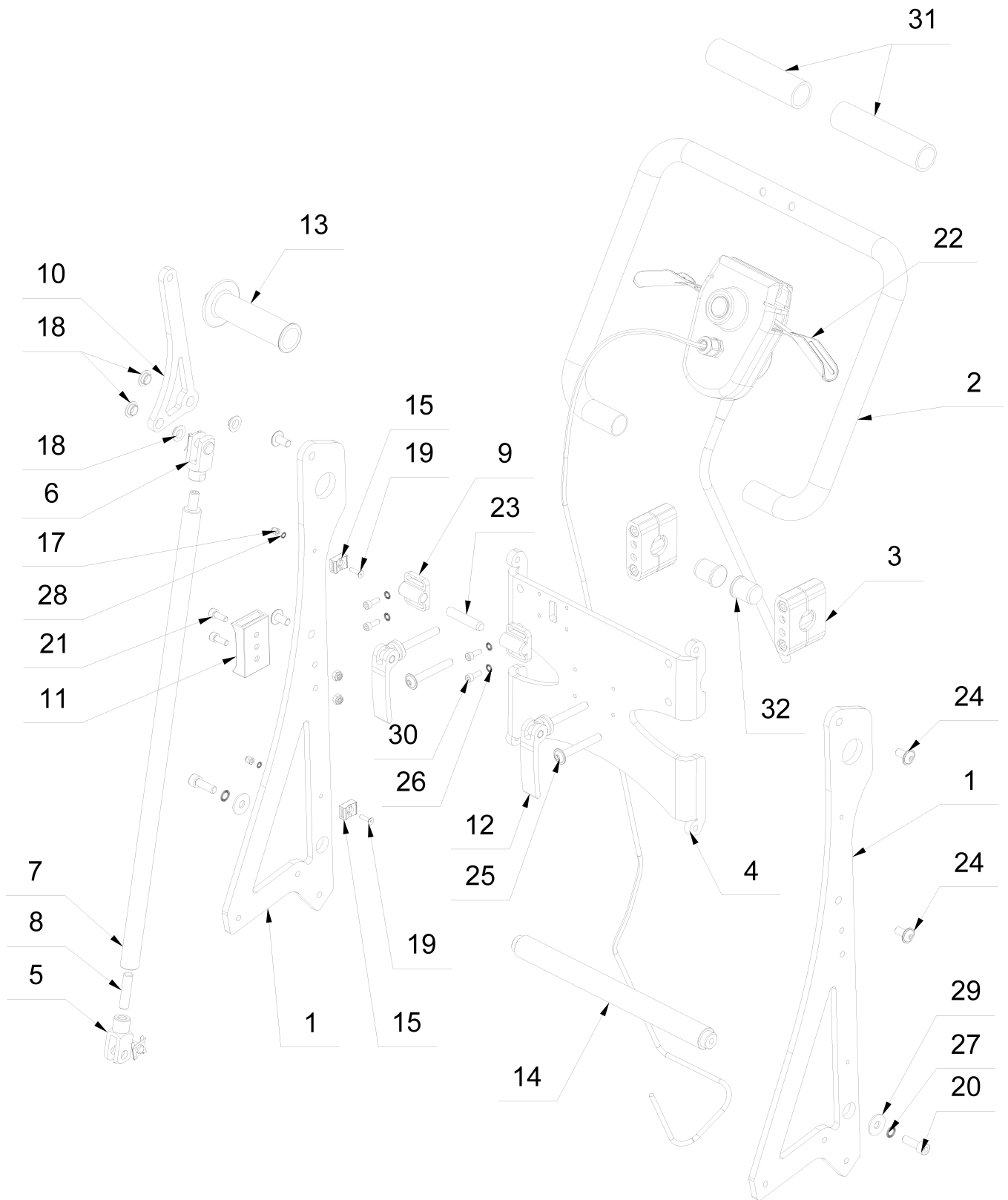
Item no.	Article no.	Description	Quantity
1	162818	Base plate Motor Biber	1
2	161892	Guide rail WS-16-200-1	4
3	161899	Nut holder MH-1210-AL-1	1
4	161902	Threaded nut SHT-1210-TRM10x2-2	1
5	161903	Housing bearing WJ200UME-01-16	1
6	162711	Between plate linear unit Biber	1
7	161904	Trapezoidal spindle 10x20	1
8	161976	Gas pressure spring Biber 420N	1
9	014858	Schnorr washer M5	4
10	014860	Schnorr Washer M8	27
11	014859	Schnorr washer M6	8
12	053071	Cylinder head screw M6x35 DIN 6912	4
13	017651	Cylinder head screw M8x16 DIN 912	4
14	017007	Cylinder head screw M5x35 DIN912	4
15	014735	Cylinder head screw M8x25 DIN 912	18
16	162848	Lever lowering beaver	1
17		Position indicator 21952-02001122	1
18		Reducing bush 21940-1410	1
19	162015	Anti-twist device Position indicator	1
20	161906	Plain bearing JSM-1012-10-1	2
21	162030	Anchor plate GTO-60-0.5000 Biber	1
22	016961	Snorr washer M4	2
23	014717	Cylinder head screw M4x10 DIN 912	2
24	161911	Induktiver Sensor AI905	1
25	161913	Mounting bracket M12 AA902	1
26		Hexagon nut ISO 4035 - M12	2
27		Parallel pins ISO 8734 - 6 x 35 - A	1
28	014809	Hexagon nut M6 DIN 934	2
29	162850	Base plate linear unit Biber	1
30	018254	Cylinder head screw M8x12 DIN 912	4
31	162834	Mounting bracket anchor plate beaver	1
32	014730	Cylinder head screw M 6x20 DIN 912	2
33	161907	Collar bushing GFM 1012-05	2
34	161895	Housing bearing WJ200UME-01-16	8

## 5 Linear unit

---

Item no.	Article no.	Description	Quantity
35		Belleville washer 8.2x16x0,9 DIN 2093 A	4
36	014734	Cylinder head screw M8x20 DIN 912	1
37	014761	Countersunk screw M8x25 DIN 7991 10.9	1
38	014828	Washer M8 DIN 125 A	1
39	014816	Hexagon nut M8 DIN 985	1
40		Toothed lock washer DIN 6797 - A 13	2

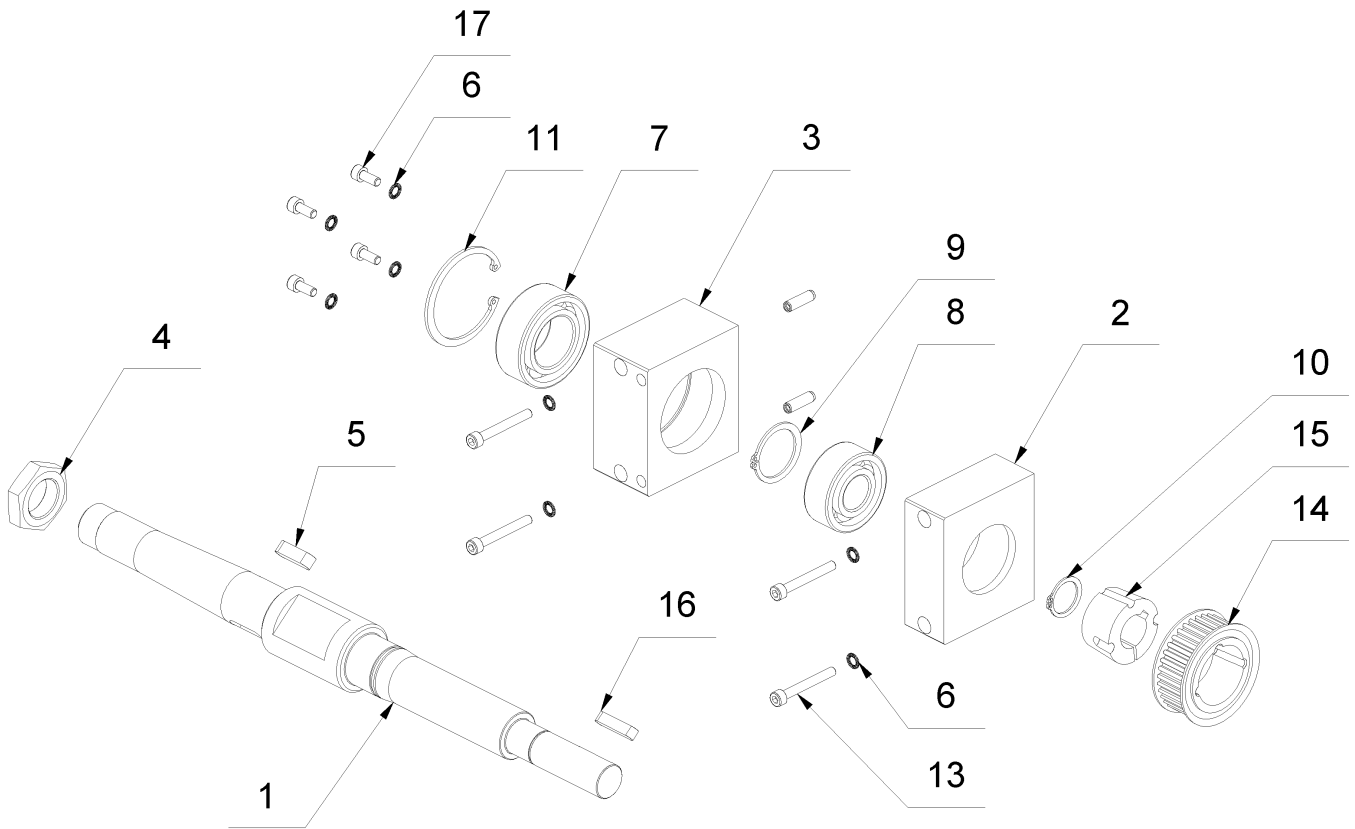
# 6 Handle



## 6 Handle

Item no.	Article no.	Description	Quantity
1	162839	Côtés partie poignée de Biber	2
2	162105	Round Handel bar Biber	1
3	077190	Clamb GN231-B25-1-BL	2
4	162844	Crossbar handle beaver	1
5	161764	Fork joint with pin & shaft lock	1
6		GN 751.1 SL-Fork joints, Type SL, Pin with SL-shaft safaty	1
7	161797	Push rod Lowering Beaver	1
8	161844	Headless pin M10x40 DIN 913	2
9	161771	Locking piece 38x28x10,2	2
10	162849	Control lever lowering Biber	1
11	161982	Velcro base M6 20-100mm	1
12	161762	Eccentric clamp Rigid support disc	2
13	069284	Handle M10x10	1
14	162013	Handle bar Biber	1
15	161983	Velcro base M6 M4 150mm	2
16	014815	Hexagon nut M6 DIN985	2
17	017566	Cap nut M4 DIN 986	2
18	161907	Collar bushing GFM 1012-05	4
19		countersunk screw DIN 7991 - M4x16	2
20	014735	Cylinder head screw M8x25 DIN 912	2
21	014729	Cylinder head screw M 6x16 DIN 912	2
22	163316	Two-hand switch 12A Biber	1
23		Parallel pin ISO 8734 - 10 x 50 - B	1
24	161847	Oval head screw with collar M8x16	4
25	077260	Lens head screw M 8x60	2
26	014858	Schnorr washer M5	4
27	014860	Schnorr Washer M8	2
28	016961	Snorr washer M4	2
29	018737	Washer 8,4x24x2 DIN 9021 galv.	2
30	017742	Cylinder head screw M 5x14 DIN 912	4
31	166031	Handle cover parquet cutter beaver	1
32	175374	Stopfen Rundgriff Biber	2

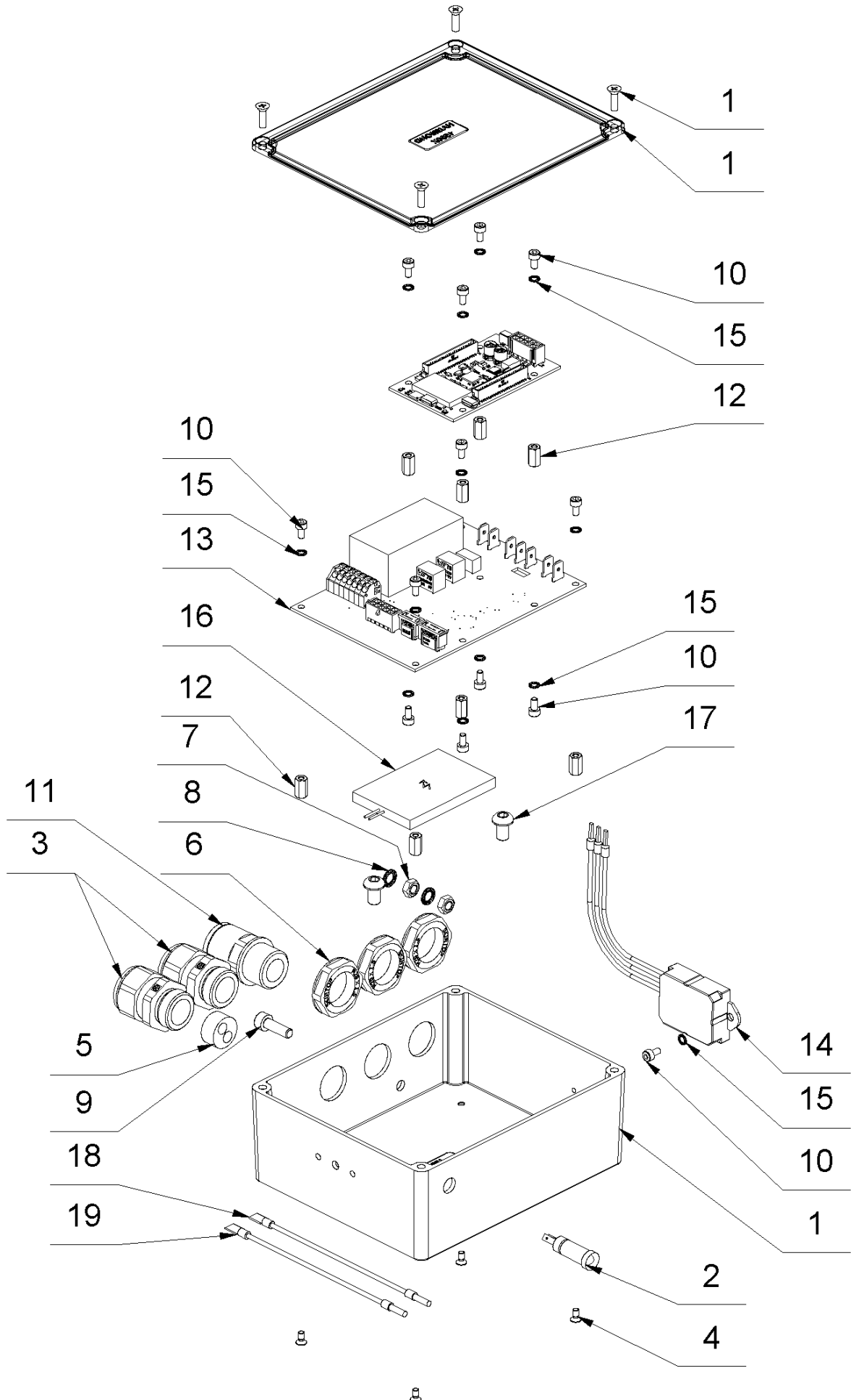
## 7 Drive shaft



## 7 Drive shaft

Item no.	Article no.	Description	Quantity
1	162107	Antriebswelle Biber	1
2	162014	Clevis foot left Beaver	1
3	161773	Clevis foot right Beaver	1
4	014614	Hexagon nut M24x1,5 DIN936	1
5	161832	Nut key 8x7x25 DIN 6885	1
6	014858	Schnorr washer M5	8
7	161962	Ball bearing SKF 63006-2RS1	1
8	161963	Ball bearing SKF 62204-2RS1	1
9		Circlip DIN 471 - 30 x 1,5	1
10	014851	Safety washer A20 DIN 471	1
11	161841	Safety washer J55x2,0 DIN 472	1
12		Dowel pin ISO 8735 - 6 x 20 - A	2
13		Hexagon socket screw ISO 4762 - M5 x 40	4
14	161950	Toothed belt pulley 36-5M-15-1108	1
15	161946	Taper bush 1108 20	1
16	161833	Nut key 6x6x28 DIN 6885	1
17	017561	Cylinder head screw M5x12 DIN 912	4

# 8 Electronics

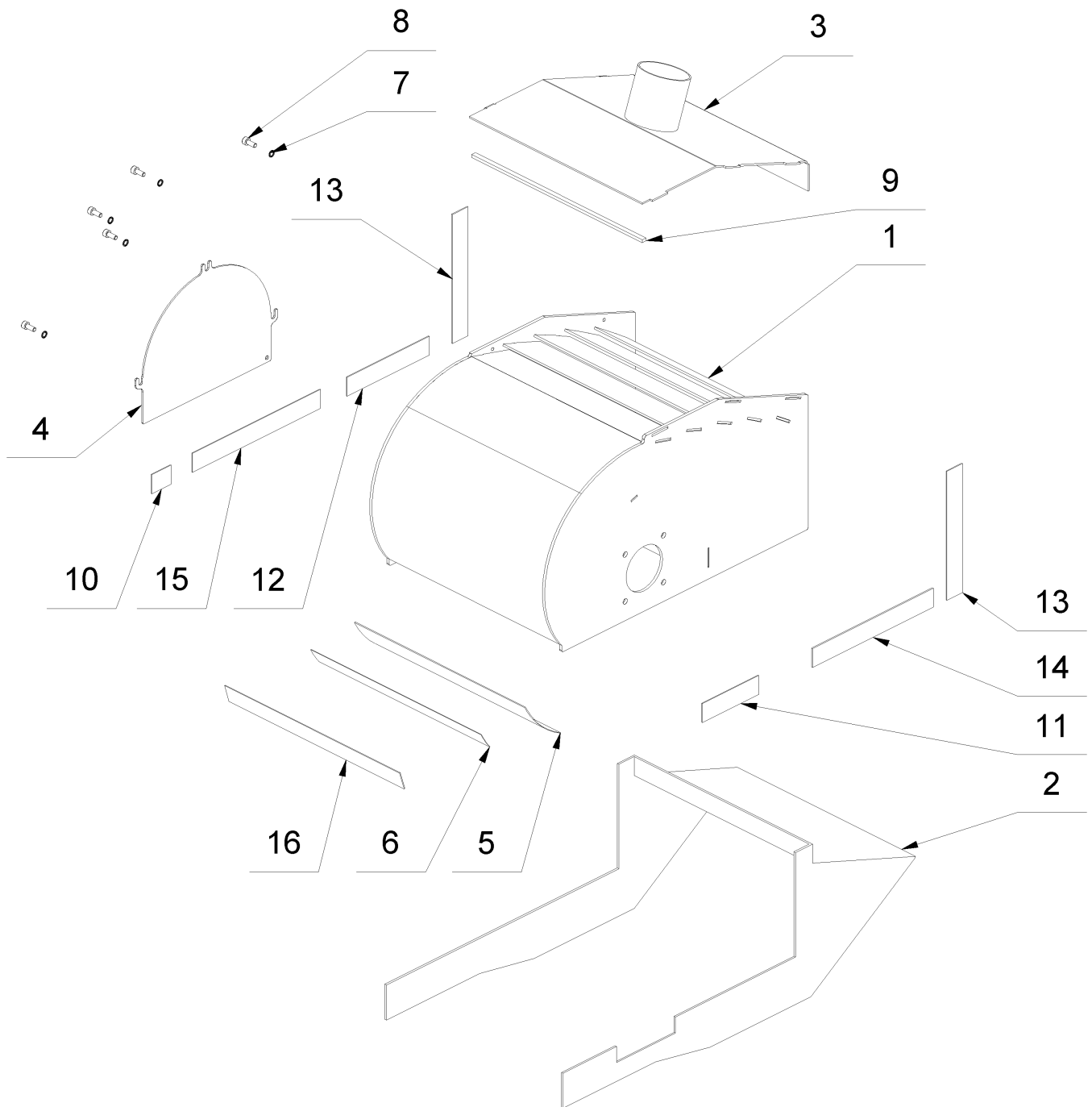




## 8 Electronics

Item no.	Article no.	Description	Quantity
1	162872	Electronic housing Biber	1
2	038281	LED light d 8mm red see #83823	1
3	051948	Cable gland M20x1.5	2
4		Pozidriv ISO metric screws AS 1427 - M3 x 6	4
5	088599	Seal insert multiple 2x6mm	1
6	047935	Nut PE M20x1,5	3
7	017773	Hexagon nut M5 DIN 934	2
8	014858	Schnorr washer M5	2
9	017610	Cylinder head screw M5x16 DIN 912	1
10	053439	Cylinder head screw M3x6 DIN 912	13
11	088463	Cable gland NW16 M20x1,5	1
12		Spacer bolt M3 SW5.5x10	8
13	163192	Control board Biber	1
14	173700	Soft start PF200 Biber/Turbo EMK	1
15	017772	Schnorr washer M3	13
16	089108	IMM Battery (LiPo 1260mAh) Li 5Wh	1
17	014799	Lens head screw M6x10	2
18		Single wire red 0,5mm electronics	1
19		Single wire black 0,5mm Electronics	1

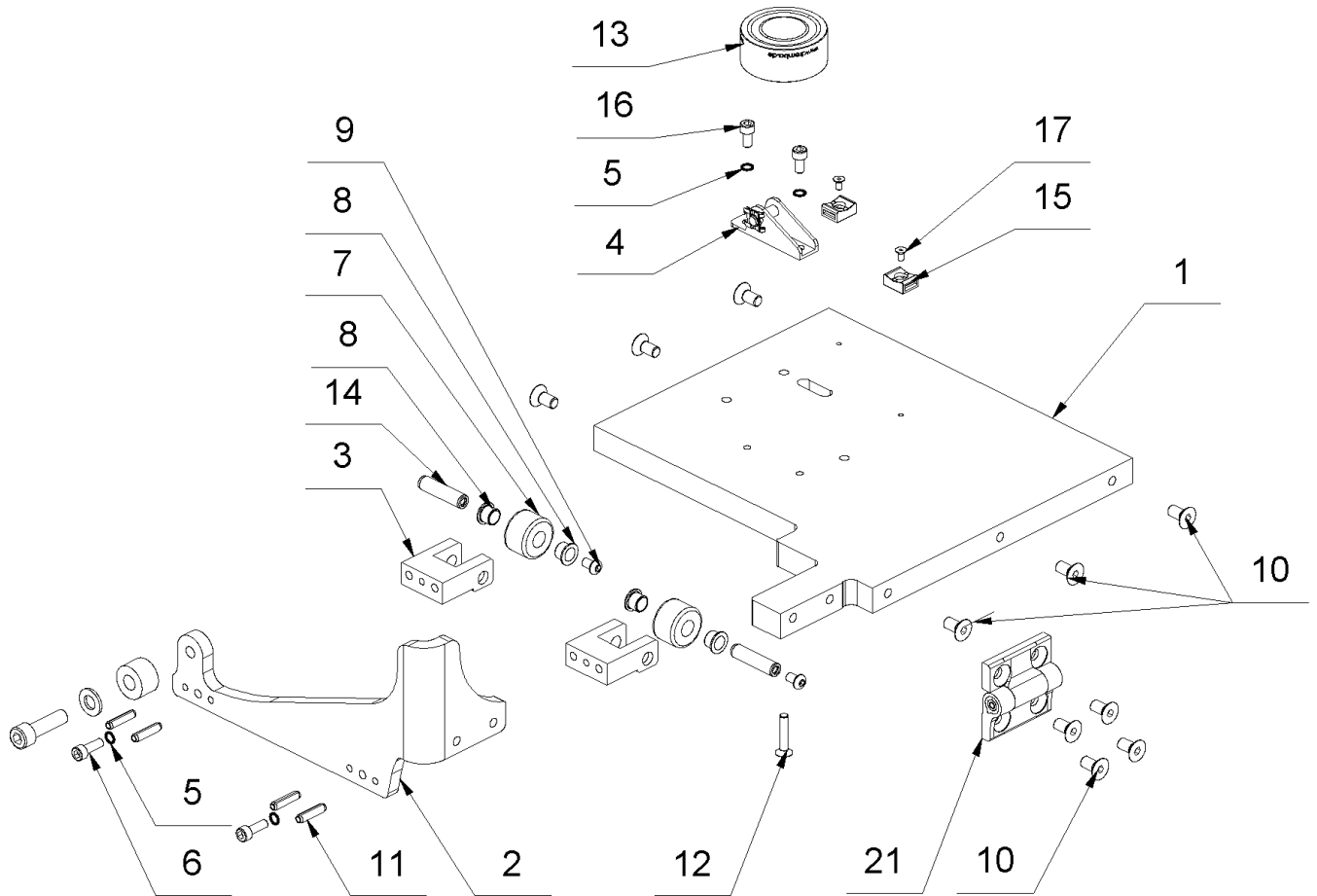
## 9 Suction hood



## 9 Suction hood

Item no.	Article no.	Description	Quantity
1	162800	SG Absaughaube Biber	1
2	161945	Apron suction hood Biber	1
3	162802	Cover suction hood Biber	1
4	162801	Rolling cover suction hood Biber	1
5	162820	Front strip apron suction hood Biber	1
6		Self-adhesive Velcro tape 20mm x 220mm	1
7	016961	Snorr washer M4	5
8	014717	Cylinder head screw M4x10 DIN 912	5
9		Sealing tape 5x3x220	1
10		Velcro strip dust skirt 25 mm	1
11		Velcro strip dust skirt 73 mm	1
12		Velcro strip dust skirt 106 mm	1
13		Velcro strip dust skirt 136 mm	2
14		Velcro strip dust skirt 156 mm	1
15		Velcro strip dust skirt 165 mm	1
16		Velcro strip dust skirt 226 mm	1

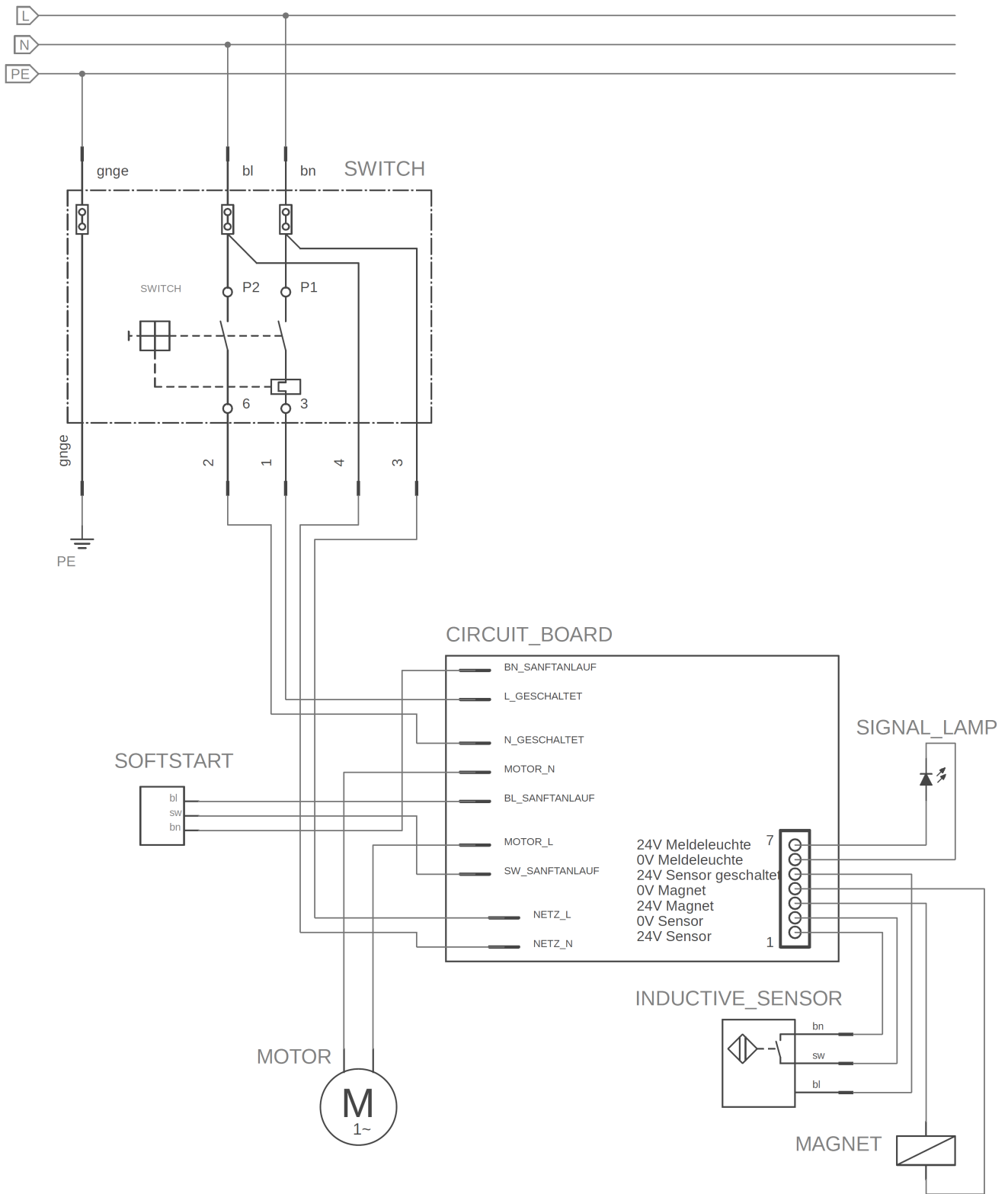
# 10 Handle



## 10 Handle

Item no.	Article no.	Description	Quantity
1	162805	Base plate Biber	1
2	162875	Undercarriage lever Biber see 162874	1
3	162024	Wheel mount Chassis lever Biber	2
4	161977	Fitting 69x18 galvanised for Biber	1
5	014859	Schnorr washer M6	4
6	018268	Cylinder head screw M6x18 DIN 912	2
7	161774	Laufrolle Biber	2
8	161905	Collar bushing GFM 101216-09	4
9	014799	Lens head screw M6x10	2
10	016994	Counter sunk screw M8x16 DIN 7991 10.9	10
11	161838	Clamping pin 6x25 DIN 1481	4
12	017699	Countersunk screw M6x30 DIN 7991 10.9	1
13	161719	Electric holding magnet GTO-60-0.5000	1
14	018145	Cylindrical pin 10x 40 DIN 7979	2
15	161983	Velcro base M6 M4 150mm	2
16	014726	Cylinder head screw M6x12 DIN 912	2
17	018324	Countersunk screw M4x8 DIN 7991 10.9	2
18	162020	Spacer beaver Ø25xØ11x15,9	1
19	017550	Cylinder head screw M10x35 DIN 912	1
20	014829	Washer M10 DIN 125 A	1
21	161757	Hinge adjustable friction silver	1

# 11 Circuit diagram



## 11 Circuit diagram

---

Item no.

1

---

## 12 Tool kit

---

Item no.	Article no.	Description	Quantity
1	054064	Tool bag green - Wolff	1
2	015315	Hearing protectors	1
3	015809	Safety gloves 1 pair	1
4	015316	Protective goggles	1
5	016732	Fine dust mask Gecko/URS/Cobra	1
6	038921	Suction nozzle f. Vacu-+Comp.clean+Mambo	1
7	163350	Torx wrench T30	1



## 13 Accessories

---

Item no.

1