



spare parts list Parkettnutfräse 18V EU



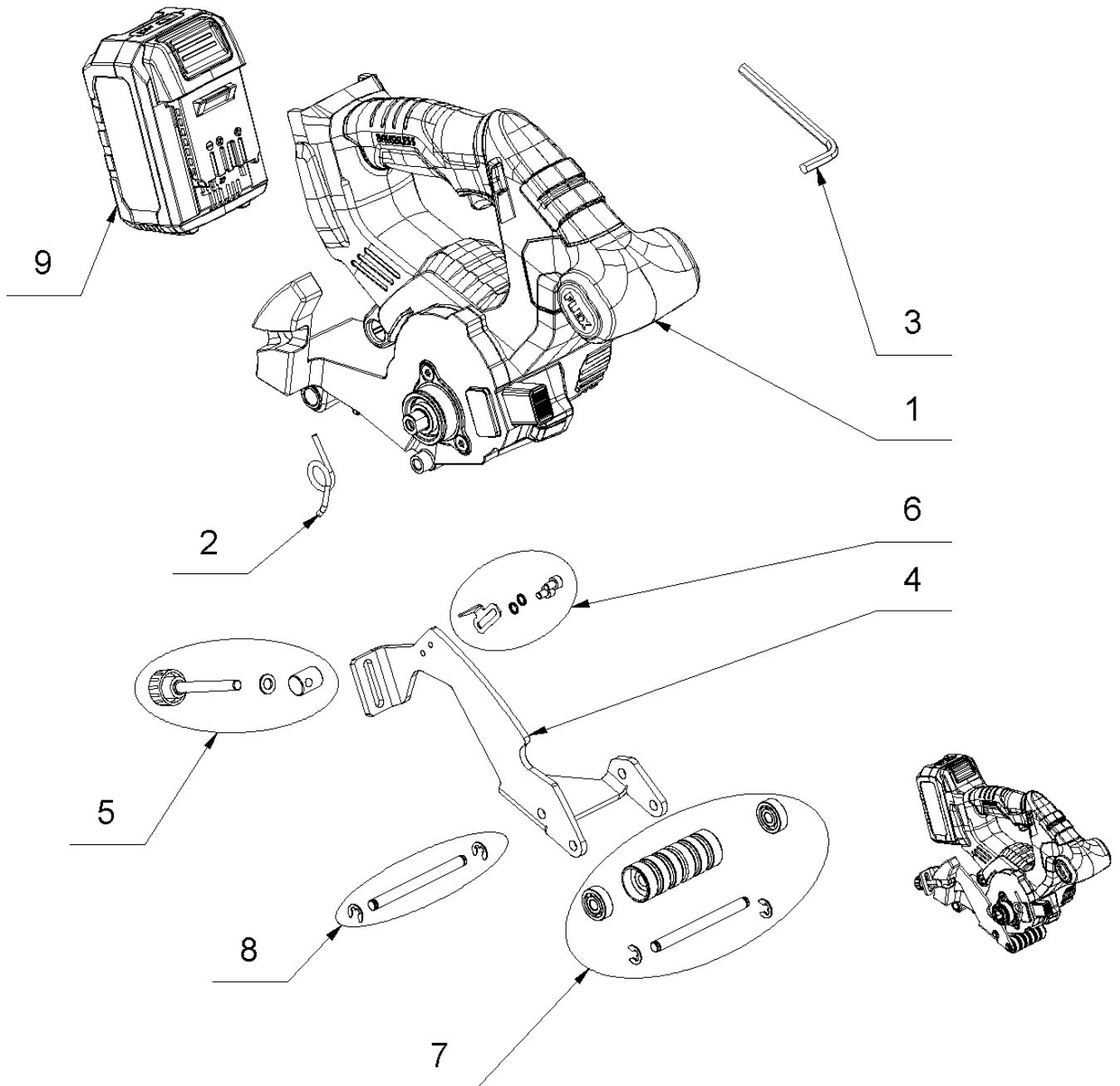
Table of contents

1 Wood beveller (0001/2021 - heute)	3
1 Motor	4
2 Wheel chassis	6
3 Cover	8
4 Accessory	10

1 Wood beveller (0001/2021 - heute)

Item no.	Article no.	Description
1	01_01_089660	Motor
2	01_02_163178	Wheel chassis
3	01_03_163178	Cover
4	01_04_089660	Accessory

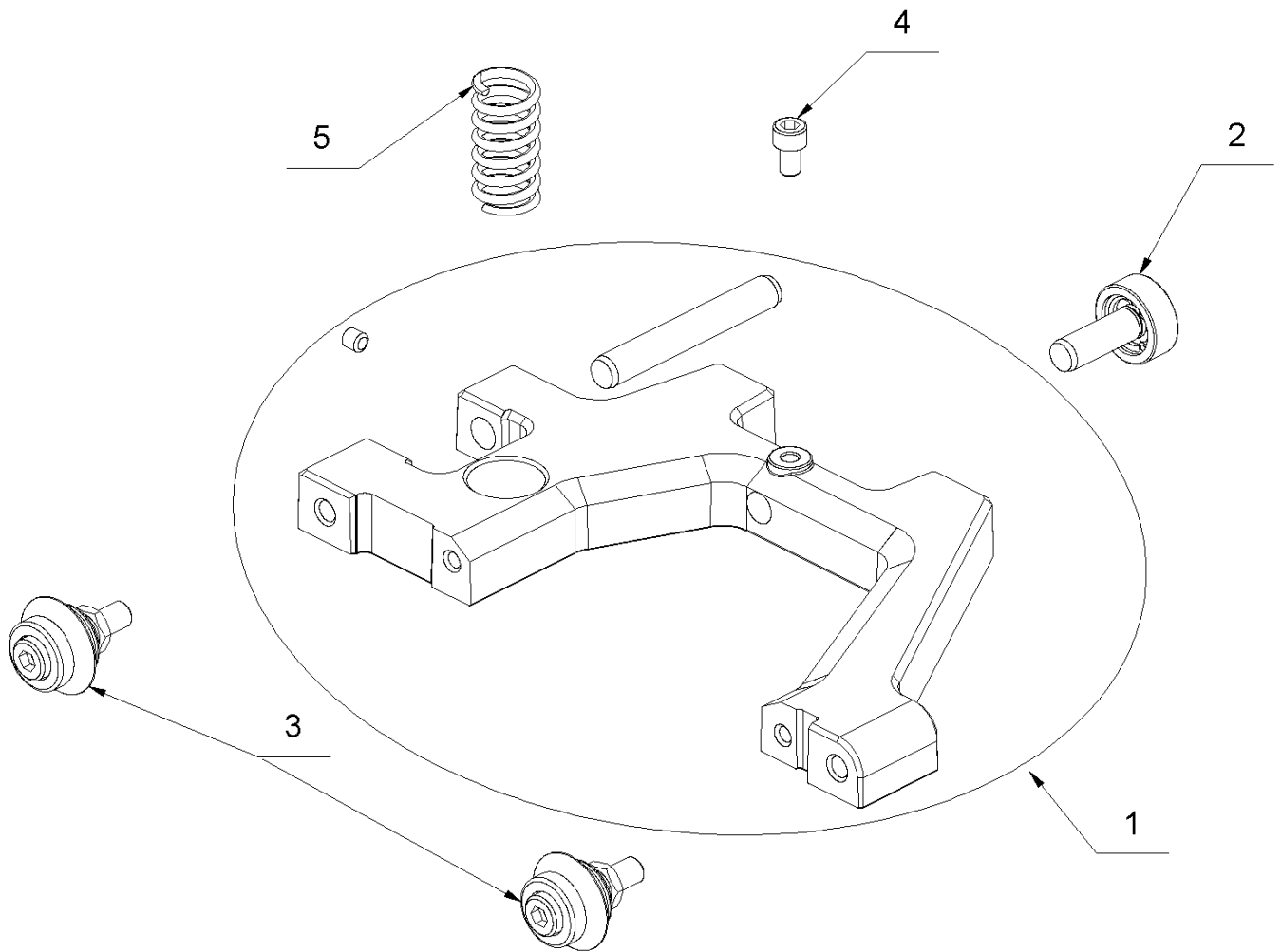
1 Motor



1 Motor

Item no.	Article no.	Description	Quantity
1	155198	Motor Fräsmaster 18V wolffgrün	1
2	089545	Leg spring Ø19x23x23Ø3	1
3	014956	Hexagonal screw key SW5 DIN 911	1
4	089505	Swing arm Fräsmaster 18V	1
5	162998	Knurled screws set Fräsmaster 18V	1
6	162996	Pointer Set Fräsmaster 18V	1
7	162115	Feeler roller Set Fräsmaster 18V	1
8	162997	Axle Set Fräsmaster 18V	1
9	010930	Battery pack 18V/5Ah/Li 90Wh	1

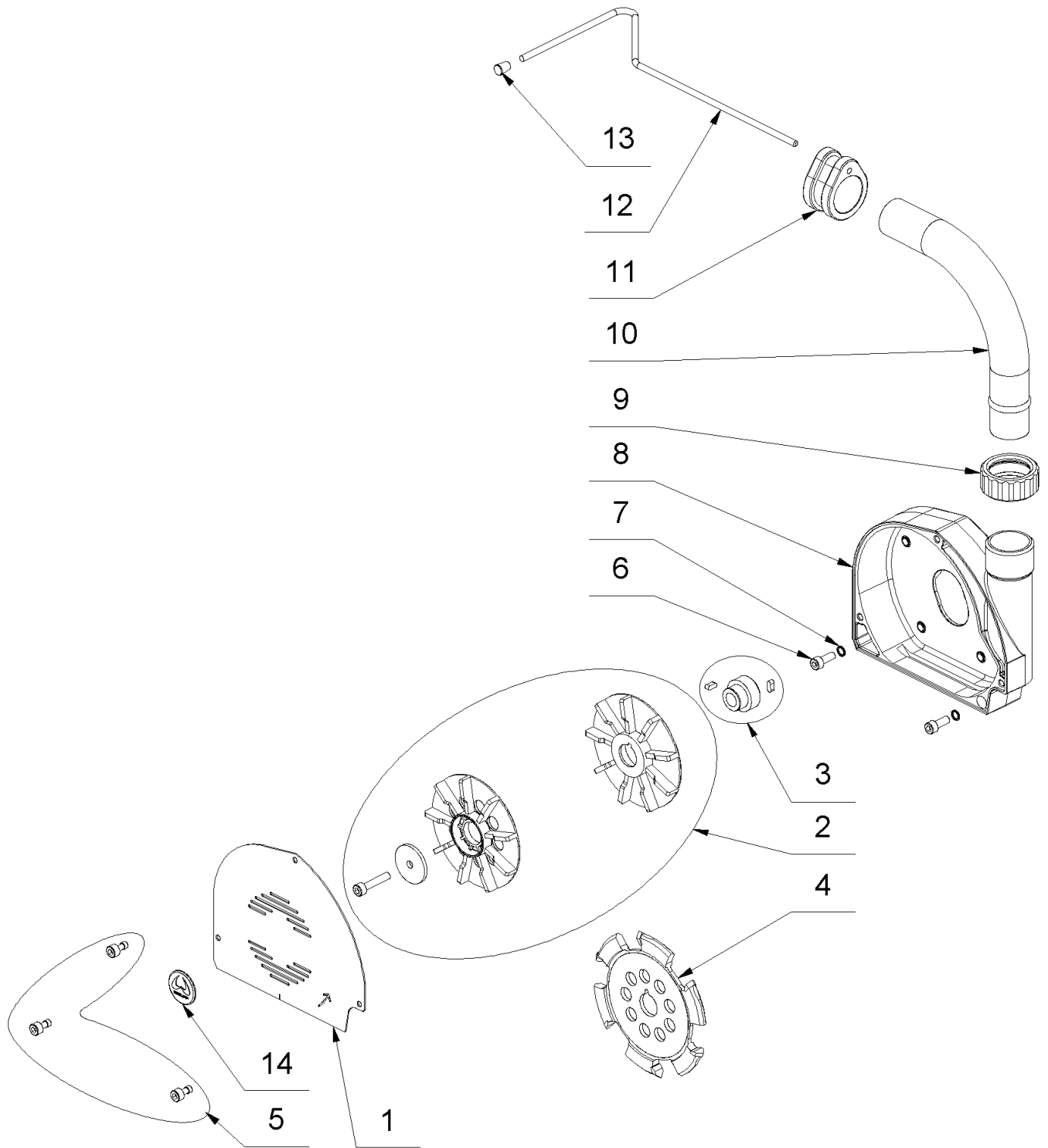
2 Wheel chassis



2 Wheel chassis

Item no.	Article no.	Description	Quantity
1	162994	Base plate Set milling master 18V	1
2	162121	Roller complete milling master 18V	1
3	163253	Guide roller 90° cpl. Parkettnutfräse 18	2
4	017697	Cylinder head screw M6x10 DIN 912	1
5	089544	Pressure spring Ø20x40xØ3	1

3 Cover



3 Cover

Item no.	Article no.	Description	Quantity
1	089583	Cover plate Fräsmaster 18V green	1
2	163000	Fan wheel set Fräsmaster 18V	1
3	162999	Tool flange complete Fräsmaster 18V	1
4	163230	HM-Fräsblatt 130x20x9 spitz Z6 gelocht	1
5	162123	Thin shank screw Set M6x12 acc. DIN912	1
6	014729	Cylinder head screw M 6x16 DIN 912	2
7	014859	Schnorr washer M6	2
8	176087	Hood Parkettnutfräse 18V	1
9	085516	Swivle nut elbow	1
10	010397	Elbow Fräsmaster 18V	1
11	017626	Chip bag flange Fräsmaster	1
12	065741	Shackle short	1
13	017438	End cap	1
14	125896	Label Wolff 3D Ø30mm	1
15	129790	Etikett Fräsmaster	1

4 Accessory

Item no.	Article no.	Description	Quantity
1	015315	Hearing protectors	1
2	015316	Protective goggles	1
3	033865	Carrying case Gr.4 315x396x296	1
4	010763	Insert Systainer Fräsmaster18V	1
5	010581	Dust bag black Mastergroover 18V	1
6	010930	Battery pack 18V/5Ah/Li 90Wh	1
7	010939	Charger Akku.18V 230V/50Hz	1
8	163230	HM-Fräsblatt 130x20x9 spitz Z6 gelocht	1