



spare parts list

Power X 1600 230V EU



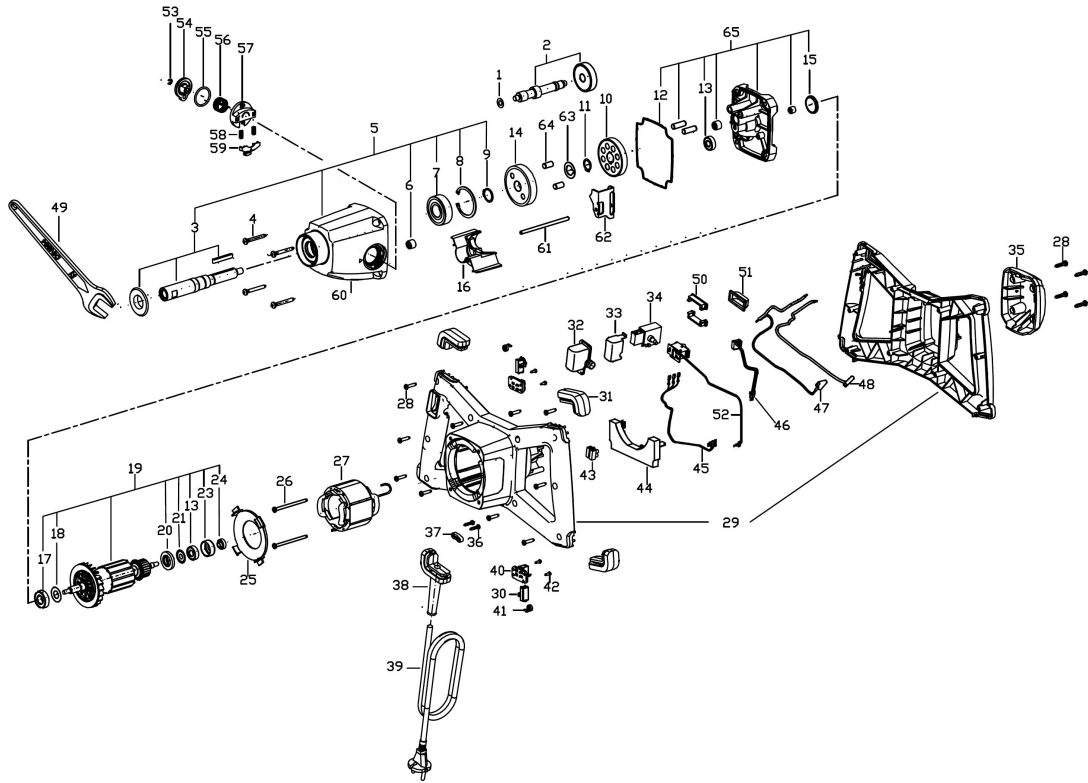
Table of contents

1	Stirring Unit Power X 1600 230V (011/2017-04/2020)	3
1	1 Stirring Unit	4
2	2 Circuit Diagram	7
1	Stirring Unit Power X 1600 230V (04/2020-heute)	9
1	1 Stirring Unit	10
2	2 Circuit Diagram	13

1 Stirring Unit Power X 1600 230V (011/2017-04/2020)

Item no.	Article no.	Description
1	01_01_084169	Stirring Unit
2	01_230V_PowerX	Circuit Diagram

1 Stirring Unit



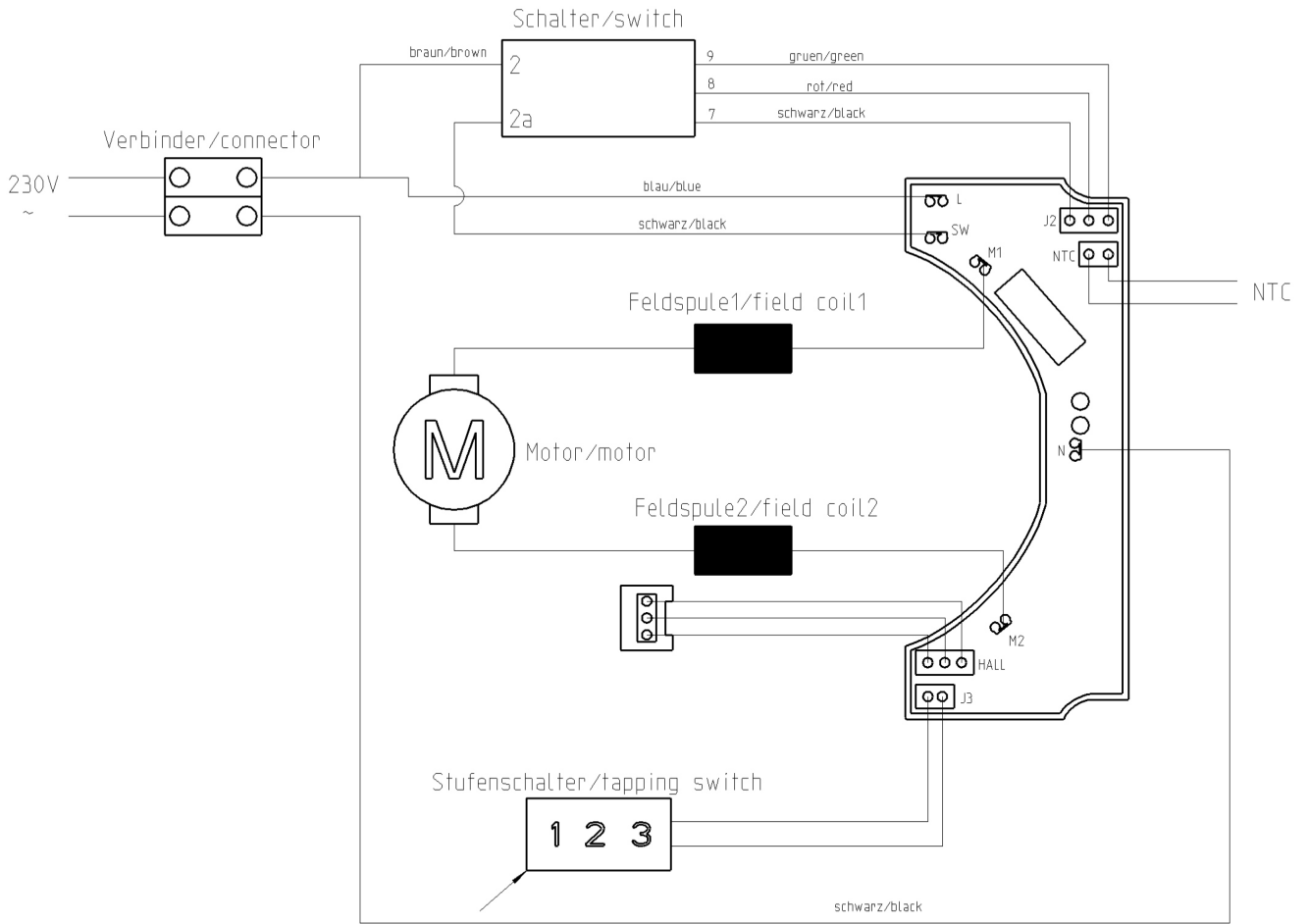
1 Stirring Unit

Item no.	Article no.	Description	Quantity
1	084858	Distance ring 1 Power X 1000/1600	1
2	084915	Gear shaft cpl. Power X 1600	1
3	084916	Spindle-Set Power X 1600	1
4	084861	Bolt 4,8x40 Power X1000/1600	4
5	084928	Gearbox cpl. Power X1600	1
6	084863	Needle roller bearings Power X1000/1600	1
7	084864	Ball bearing Power X1000/1600	1
8	084867	Circlip Power X1000/1600	1
9	084868	Circlip drive shaft 1 Power X1000/1600	1
10	084870	Spindle wheel Power X1000/1600	1
11	084871	Circlip drive shaft 2 Power X1000/1600	1
12	084873	Sealing ring Power X1000/1600	1
13	084874	Grooved ball bearings Power X1000/1600	1
14	084929	Spindle wheel Power X1600	1
15	084876	O-Ring Power X1000/1600	1
16	084877	Grease compartment barrier Power X	1
17	084878	Ball bearing Power X1000/1600	1
18	084879	Distance ring 2 Power X1000/1600	1
19	084930	Armature cpl. Power X1600	1
20	084883	Labyrinth ring Power X1000/1600	1
21	084884	Distance ring 3 Power X1000/1600	1
23	084885	Bearing sleeve Power X1000/1600	1
24	084886	Annular magnet Power X1000/1600	1
25	084887	Air guide Power X1000/1600	1
26	084889	Bolt 4,2x65 Power X1000/16000	2
27	084932	Magnetic field coils Power X1600	1
28	084891	Bolt 4,2x19 Power X1000/1600	4
28	084891	Bolt 4,2x19 Power X1000/1600	10
29	084933	Motor housing Power X1600	1
30	084893	Carbon brush Power X1000/1600	2
31	084894	Edge protector Power X1000/1600	3
32	084895	Switch cover Power X1000/1600	1
33	084896	Push button Power X1000/1600	1
34	084897	Switch Power X1000/1600 SEE 164988	1

1 Stirring Unit

Item no.	Article no.	Description	Quantity
34	164986	Repair kit PowerX 1600	1
35	084898	Cover Power X1000/1600	1
36	084899	Bolt 3,5x16 Power X1000/1600	2
37	084900	Cable retention Power X1000/1600	1
38	084902	Edge protector with Cable sleeve Power X	1
39	084903	Wire Power X1000/1600	1
40	084905	Carbon brush holder Power X1000/1600	2
41	084906	Spring Power X1000/1600	2
42	084907	Bolt 2,9x8 Power X1000/1600	4
43	084908	Terminal strip Power X1000/1600	1
44	084936	Electronic Power X1600	1
45	084910	Cable kit Power X1000/1600	1
46	084912	Electronic Sensor Power x1000/1600	1
47	084913	Braid cpl. Power X1000/1600	1
48	084914	Braid cpl. black Power X1000/1600	1
49	084939	Fork wrench SW22 DIN894 X1600	1
50	084942	Switch support Power X1600	2
51	084945	Switch cover Power X1600	1
52	084948	Electronic 3 Steps Power X1600	1
53	084951	Circlip drive switch Power X1600	1
54	084954	Switching Rotator Power X1600	1
55	084957	O-Ring Power X1600	1
56	084959	Torsion spring Power X1600	1
57	084970	Shifter switch 2Step Power X1600	1
58	084972	Spring Power X1600	2
59	084973	Unlocking latch Power X1600	1
60	084974	Gear block housing Set Power X1600	1
61	084975	Guide rod Power X1600	1
62	084976	Gear shifter Power X1600	1
63	084977	Distance ring Power X1600	1
64	084978	Matching pin 8x16 Power X1600	2
65	084979	Gear block housing Set Power X1600	1

2 Circuit Diagram



nur für PowerX 1202/1200
only for PowerX 1202/1200

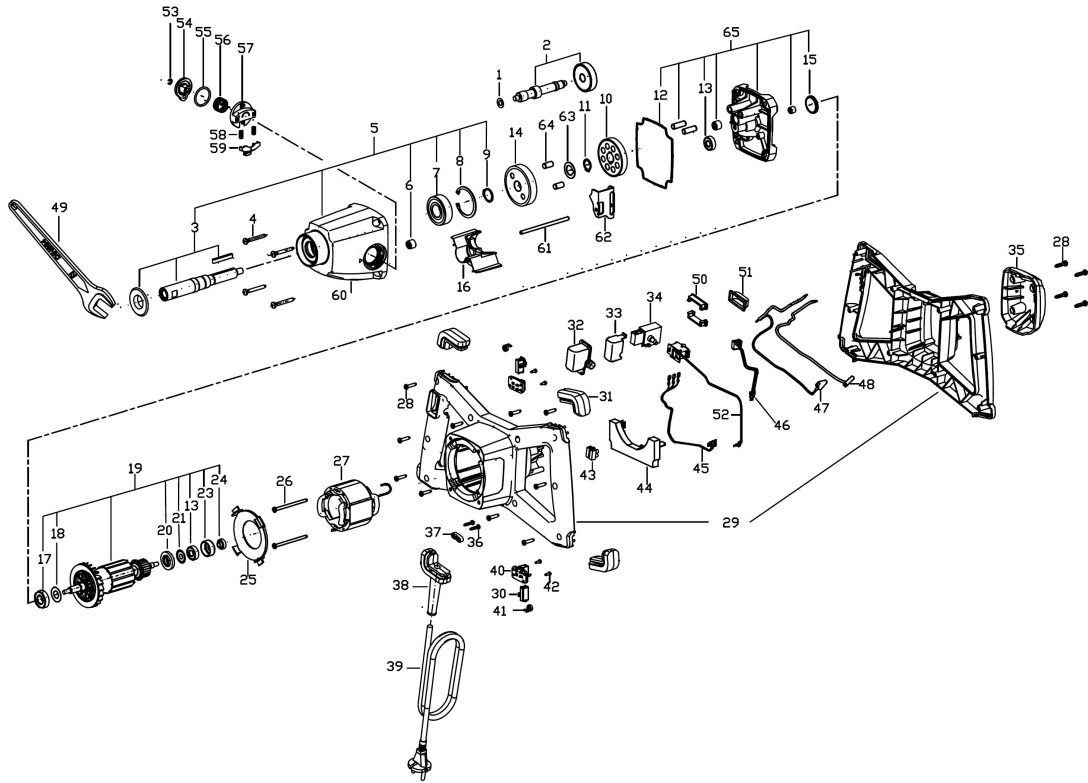
A-A
1:1

2 Circuit Diagram

1 Stirring Unit Power X 1600 230V (04/2020-heute)

Item no.	Article no.	Description
1	01_01_084169	Stirring Unit
2	01_230V_PowerX	Circuit Diagram

1 Stirring Unit



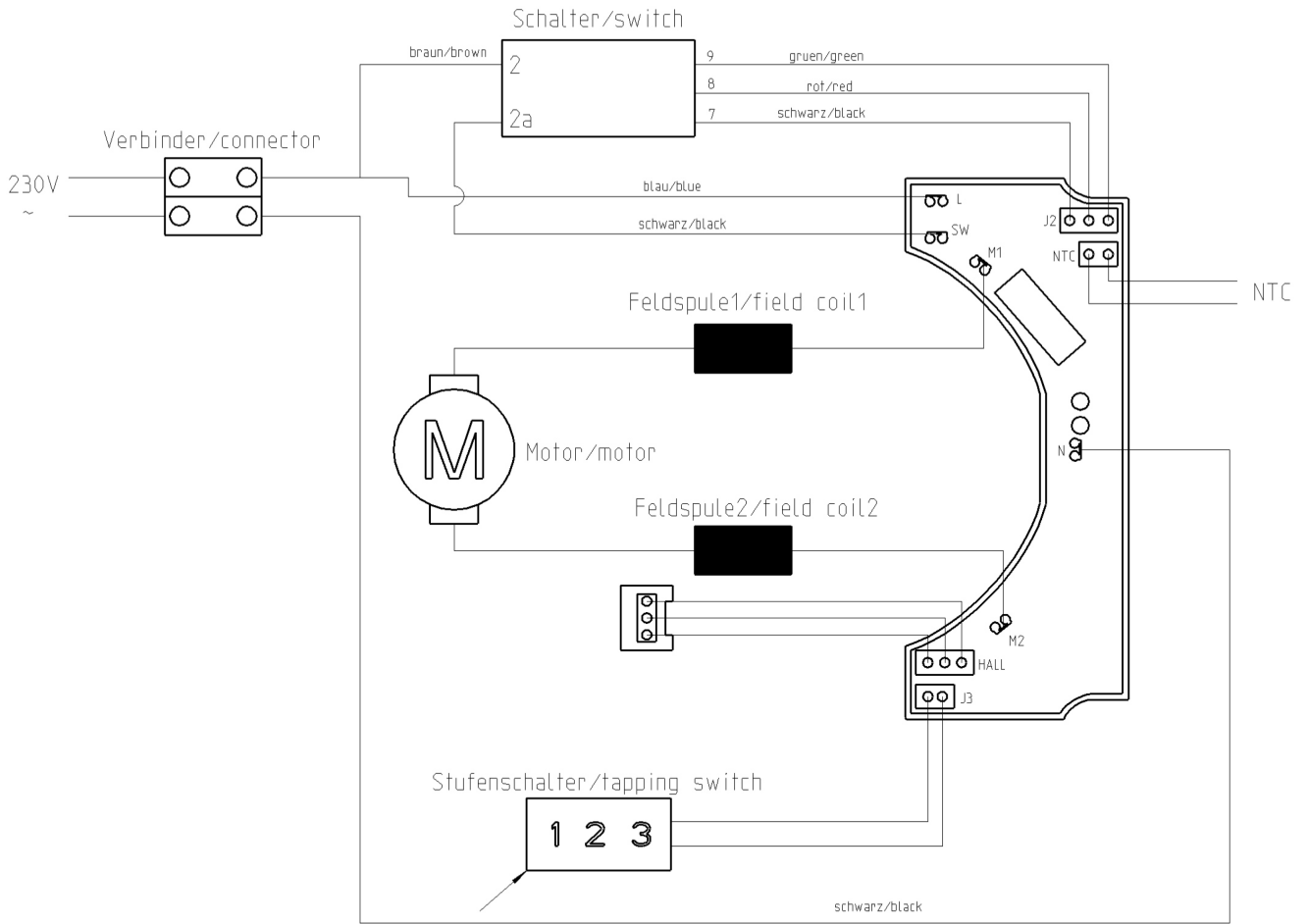
1 Stirring Unit

Item no.	Article no.	Description	Quantity
1	084858	Distance ring 1 Power X 1000/1600	1
2	084915	Gear shaft cpl. Power X 1600	1
3	084916	Spindle-Set Power X 1600	1
4	084861	Bolt 4,8x40 Power X1000/1600	4
5	084928	Gearbox cpl. Power X1600	1
6	084863	Needle roller bearings Power X1000/1600	1
7	084864	Ball bearing Power X1000/1600	1
8	084867	Circlip Power X1000/1600	1
9	084868	Circlip drive shaft 1 Power X1000/1600	1
10	084870	Spindle wheel Power X1000/1600	1
11	084871	Circlip drive shaft 2 Power X1000/1600	1
12	084873	Sealing ring Power X1000/1600	1
13	084874	Grooved ball bearings Power X1000/1600	1
14	084929	Spindle wheel Power X1600	1
15	084876	O-Ring Power X1000/1600	1
16	084877	Grease compartment barrier Power X	1
17	084878	Ball bearing Power X1000/1600	1
18	084879	Distance ring 2 Power X1000/1600	1
19	084930	Armature cpl. Power X1600	1
20	084883	Labyrinth ring Power X1000/1600	1
21	084884	Distance ring 3 Power X1000/1600	1
23	084885	Bearing sleeve Power X1000/1600	1
24	084886	Annular magnet Power X1000/1600	1
25	084887	Air guide Power X1000/1600	1
26	084889	Bolt 4,2x65 Power X1000/16000	2
27	084932	Magnetic field coils Power X1600	1
28	084891	Bolt 4,2x19 Power X1000/1600	4
28	084891	Bolt 4,2x19 Power X1000/1600	10
29	164986	Repair kit PowerX 1600	1
30	084893	Carbon brush Power X1000/1600	2
31	084894	Edge protector Power X1000/1600	3
32	084895	Switch cover Power X1000/1600	1
33	164987	Pushbutton PowerX 1000/1600 from 2020	1
34	164988	Switch Power X 1000/1600 from 2020	1

1 Stirring Unit

Item no.	Article no.	Description	Quantity
35	084898	Cover Power X1000/1600	1
36	084899	Bolt 3,5x16 Power X1000/1600	2
37	084900	Cable retention Power X1000/1600	1
38	084902	Edge protector with Cable sleeve Power X	1
39	084903	Wire Power X1000/1600	1
40	084905	Carbon brush holder Power X1000/1600	2
41	084906	Spring Power X1000/1600	2
42	084907	Bolt 2,9x8 Power X1000/1600	4
43	084908	Terminal strip Power X1000/1600	1
44	084936	Electronic Power X1600	1
45	084910	Cable kit Power X1000/1600	1
46	084912	Electronic Sensor Power x1000/1600	1
47	084913	Braid cpl. Power X1000/1600	1
48	084914	Braid cpl. black Power X1000/1600	1
49	084939	Fork wrench SW22 DIN894 X1600	1
50	084942	Switch support Power X1600	2
51	084945	Switch cover Power X1600	1
52	084948	Electronic 3 Steps Power X1600	1
53	084951	Circlip drive switch Power X1600	1
54	084954	Switching Rotator Power X1600	1
55	084957	O-Ring Power X1600	1
56	084959	Torsion spring Power X1600	1
57	084970	Shifter switch 2Step Power X1600	1
58	084972	Spring Power X1600	2
59	084973	Unlocking latch Power X1600	1
60	084974	Gear block housing Set Power X1600	1
61	084975	Guide rod Power X1600	1
62	084976	Gear shifter Power X1600	1
63	084977	Distance ring Power X1600	1
64	084978	Matching pin 8x16 Power X1600	2
65	084979	Gear block housing Set Power X1600	1

2 Circuit Diagram



nur für PowerX 1202/1200
only for PowerX 1202/1200

A-A
1:1

2 Circuit Diagram
