



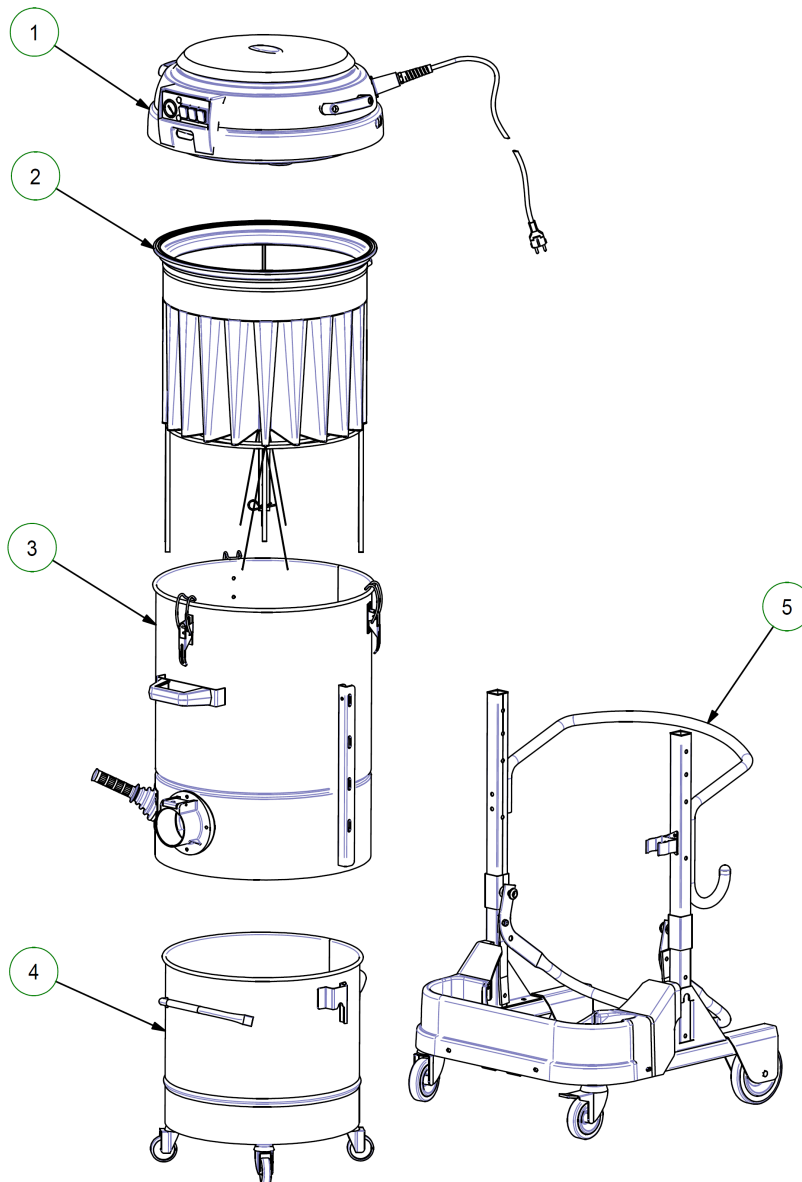
spare parts list T-Rex 230V EU



Table of contents

1 T-Rex 230V EU (Jun 16)	3
1 Motor Head Kit	5
2 Filter	8
3 Dust Chamber	10
4 Dust Container Kit	12
5 Trolley	14
6 Accessories	16
1 Roller nozzle Ø 50mm for T-Rex	17
7 Hose accessory Ø50mm	19
8 Hose accessory Ø70mm	20

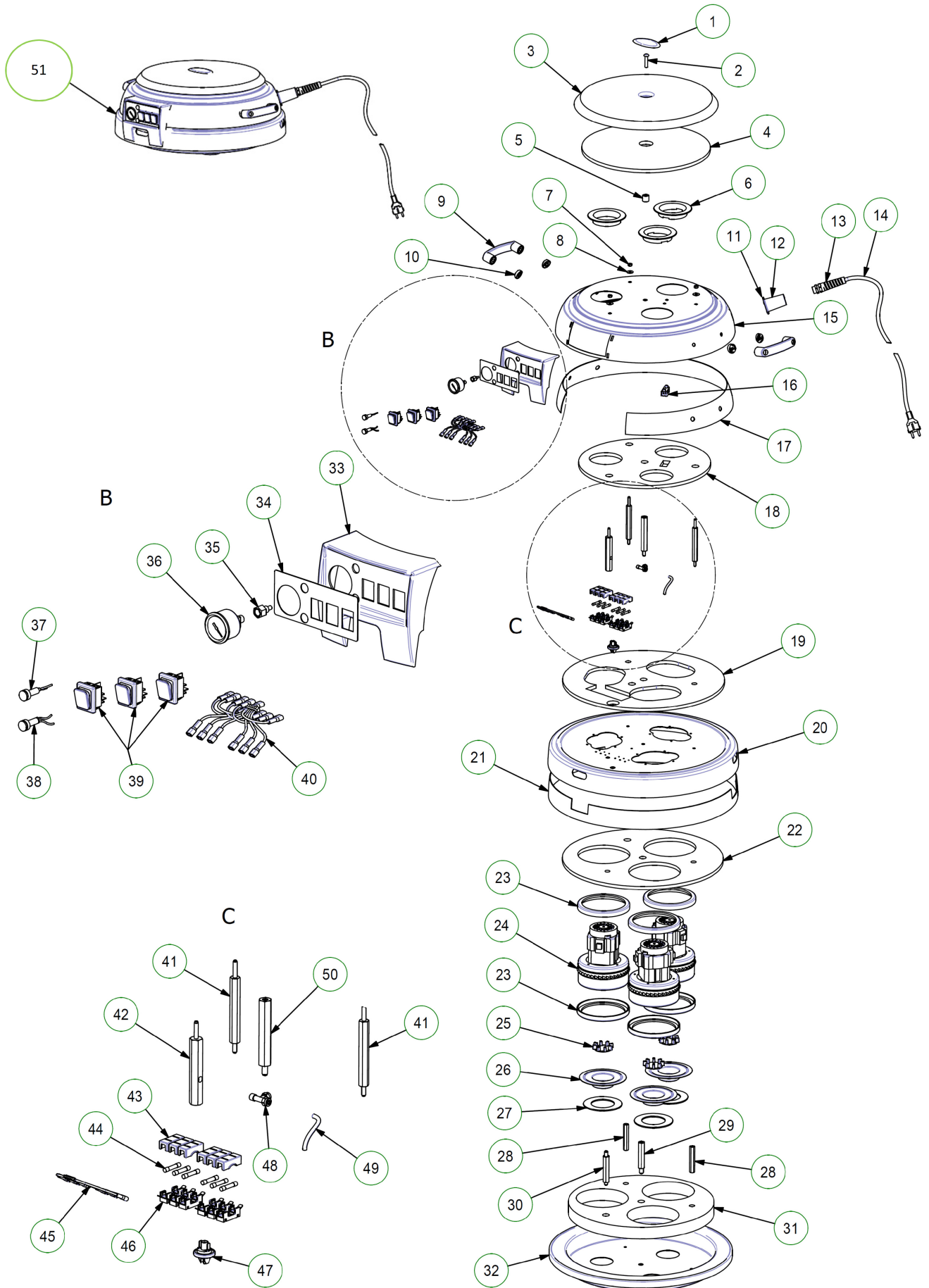
1 T-Rex 230V EU (Jun 16)



1 T-Rex 230V EU (Jun 16)

Item no.	Article no.	Description
1	01_01_013314	Motor Head Kit
2	01_02_013314	Filter
3	01_03_013314	Dust Chamber
4	01_04_013314	Dust Container Kit
5	01_05_013314	Trolley
6	01_06_013314	Accessories
7	01_07_013314	Hose accessory Ø50mm
8	01_08_013314	Hose accessory Ø70mm

1 Motor Head Kit



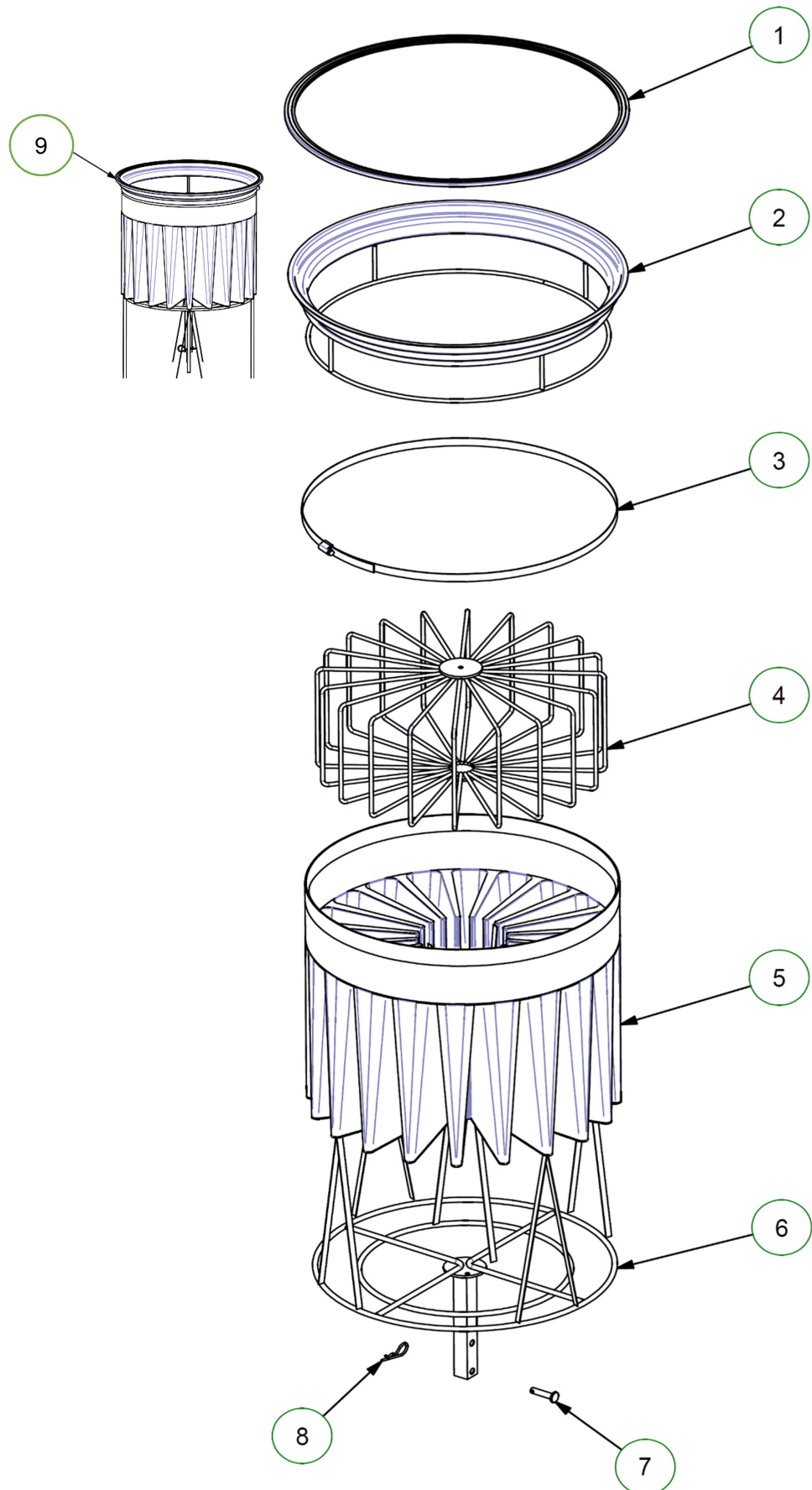
1 Motor Head Kit

Item no.	Article no.	Description	Quantity
1		Label Wolff	1
2		Hexagon head srew M8x34 ISO 7380	1
3		Singel Phase Motor head cover	1
4	174595	Insulating mat Ø380mm T-Rex	1
5	174601	Spacer below cover T-Rex	1
6	084592	Cooling Ring Vacuclean/T-Rex	3
7		Hexagon nut ISO4032 M6	3
8		Washer Ø18x6,5mm	3
9		Head handel T-Rex	2
10		Adaptor for head handel	4
11	019346	Cable clamb nut PG13,5 black	1
12	084236	Plastic cover T-Rex	1
13	019347	Knick protection Vacuclean /T-Rex	1
14	019348	Cable with plug Vacuclean/T-Rex	1
15		Cover motor head T-Rex	1
16	084593	Cabel Fastener Support Vacuclean/T-Rex	1
17		Noise buffering material 1655x58mm	1
18	174602	Motor head insulation Ø390mm T-Rex	1
19	174603	Motor mount insulation Ø464mm T-Rex	1
20		Cover motorfastener	1
21	086161	Insulating mat 1433x66mm T-Rex	1
22	174604	Insulation base plate Ø464mm T-Rex	1
23	019356	Gasket Motor 145x5 Vacuclean/T-Rex	6
24	017287	Motor 230V 50-60Hz Vac/ SEE 177447	3
24	177447	Motor 230V 50-60Hz Vacuclean/T-Rex 2023	3
25	084614	Valve Bottom Plate Vacuclean/T-Rex	3
26	084615	Bottom Plate Motor Vacuclean/T-Rex	3
27	084616	Bottom Plate Gasket Vacuclean/T-Rex	3
28	084621	Spacer motor outside Vacuclean/T-Rex	2
29	010592	Spacer motor midway Vacuclean/T-Rex	1
30	010595	Spacer air intake Vacu./T-Rex	1
31	174606	Insulation base plate Ø420mm T-Rex	1
32		Cover base plate T-Rex	1
33	042183	Control board mask T-Rex	1

1 Motor Head Kit

Item no.	Article no.	Description	Quantity
34	089610	Control panel label	1
35		Air connection 4x6 1/8	1
36	042185	Vacuum gauge AIR Ø40mm T-Rex	1
37	042189	Warning light orange Vacuclean/T-Rex	1
38	042186	Green warning light Vacuclean/T-Rex	1
39	060516	Switch red Vacuclean /T-Rex	3
40		Cable Kit T-Rex	1
41	010594	Spacer motor outside/top Vacuclean/T-Rex	2
42	010596	Spacer air intake top Vacu./T-Rex	1
43	084631	Fusecover Vacuclean/T-Rex	6
44	084692	Fuse 10A 230V Vacuclean/T-Rex	6
45		Wires kit for switch/motor 230V	1
46	060517	Fuse holder Vacuclean /T-Rex	6
47	084607	Pressure switch Vacuclean/T-Rex	1
48		Outlets air plug two folder	1
49	084601	PU hose 6x4 Vacuclean/T-Rex	1
50	010593	Spacer motor midway/top Vacuclean/T-Rex	1
51		Motor Kit 230V	1

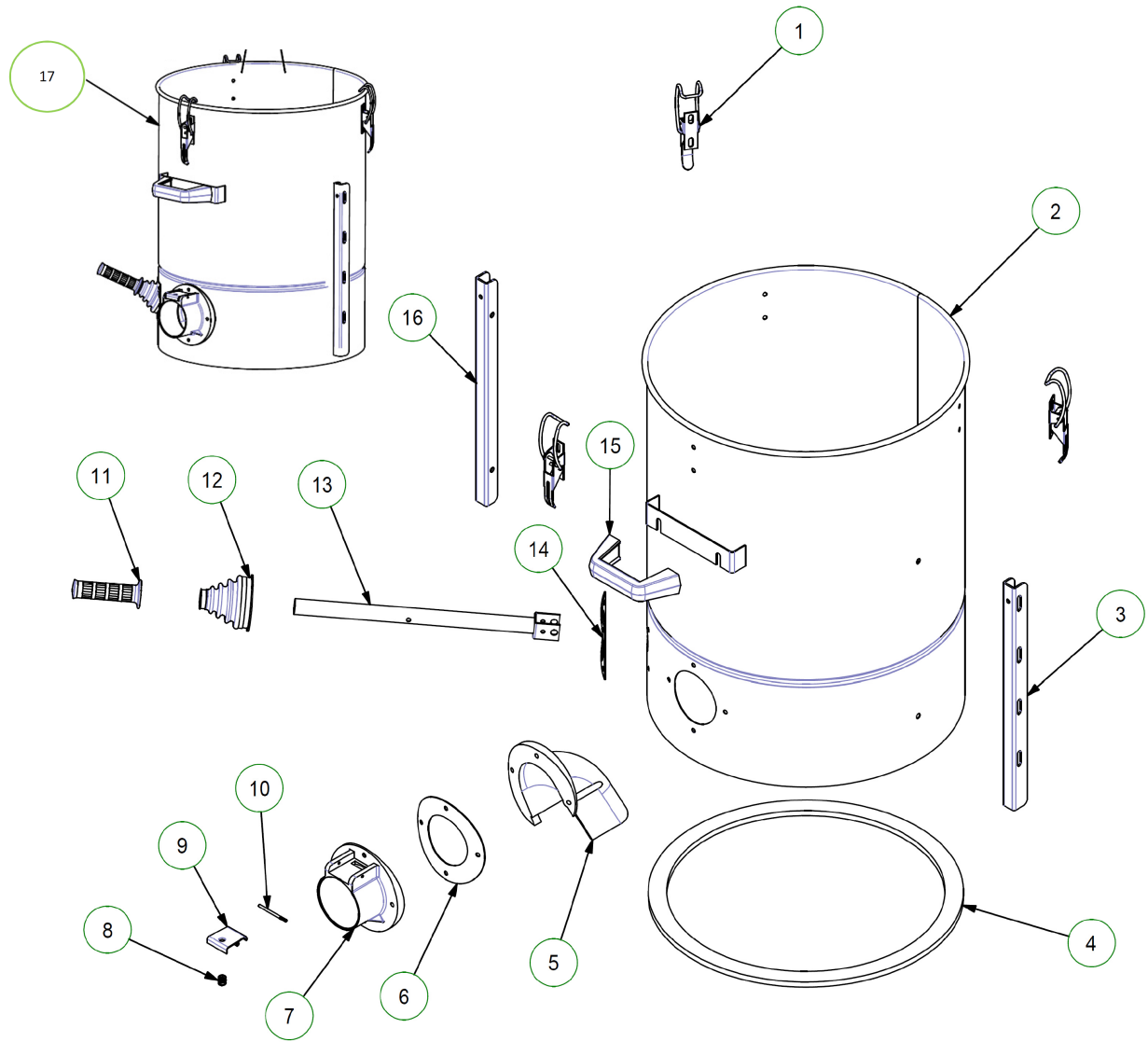
2 Filter



2 Filter

Item no.	Article no.	Description	Quantity
1	019370	Filter gasket T-Rex	1
2	019371	Filter ring T-Rex	1
3	019372	Clamping ring for fine dust filter T-Rex	1
4	088741	20 Spokes filter cage	1
5	014261	Fine dust filter T-Rex	1
6		14 Spokefilter shaker cage	1
7	087416	Lock pin T-Rex	1
8	081016	Zigzag spring 3mm for T-Rex	1
9	164838	Filter Kit	1

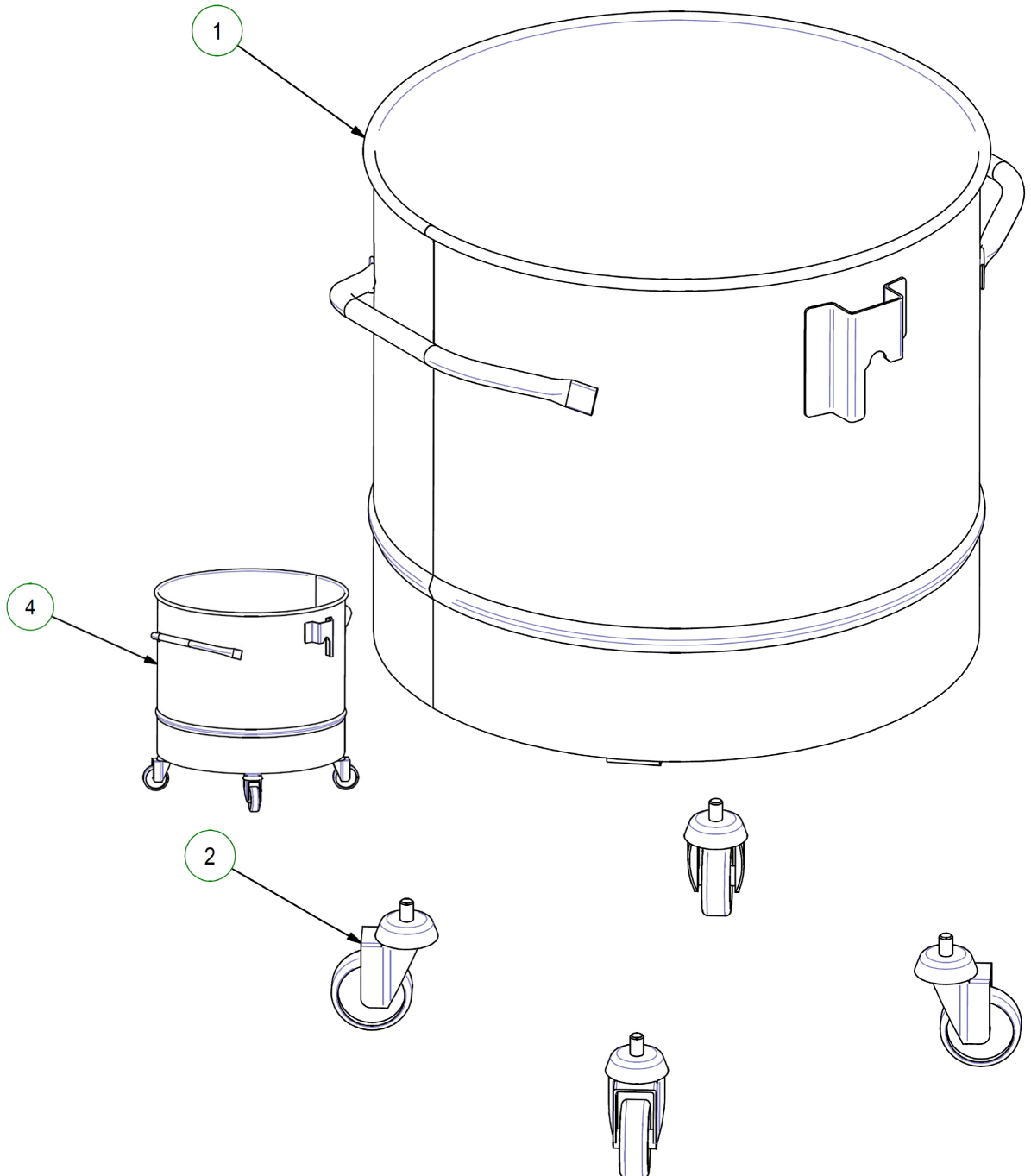
3 Dust Chamber



3 Dust Chamber

Item no.	Article no.	Description	Quantity
1		Locking filter chamber T-Rex	3
2	089145	Filter chamber T-Rex from 2016	1
3		Chamber right U-Profile T-Rex	1
4	019381	Gasket 10x30	1
5	011617	Die-cast deflector Ø80mm T-Rex	1
6		Gasket Ø80mm	1
7	084723	Intake fitting Ø80mm T-Rex	1
8	084726	Pawl Spring T-Rex	1
9	084725	Pawl connector T-Rex	1
10	084724	Pin Connector T-Rex	1
11	073574	Grip covering Ø22mm	1
12	019388	Rubber cuff T-Rex	1
13	019385	Filter shake Leaver T-Rex	1
14		Flange filter shaker	1
15	019378	Handle 140mm Vacuclean /T-Rex	1
16		Chamber left U-Profile T-Rex	1
17		Housing Kit	1

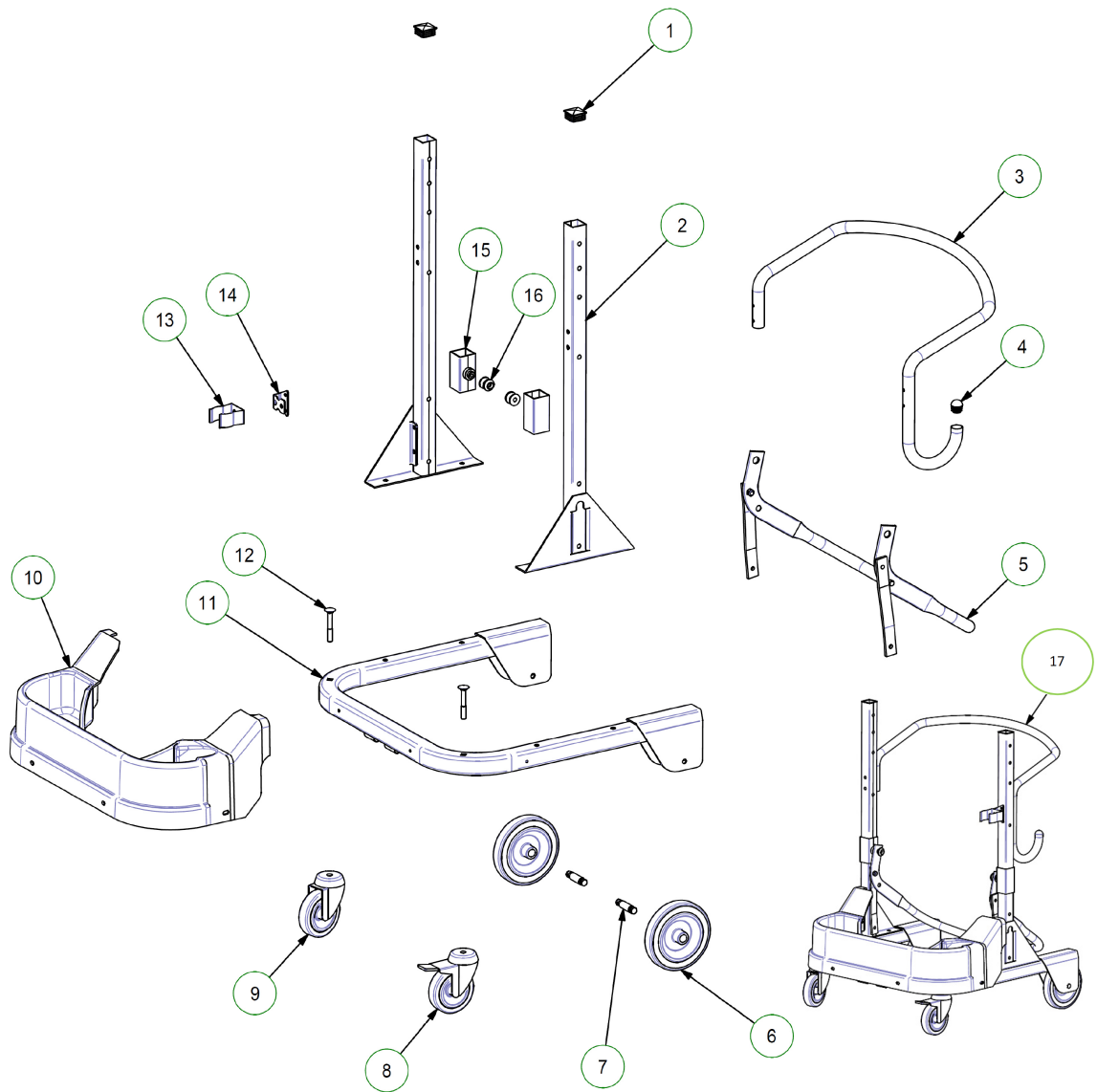
4 Dust Container Kit



4 Dust Container Kit

Item no.	Article no.	Description	Quantity
1	172080	Collecting Container Ø450mm T-Rex	1
2	019384	Steering wheel Ø60mm T-Rex	4
4	172059	Collecting Container Kit Ø450mm T-Rex	1

5 Trolley



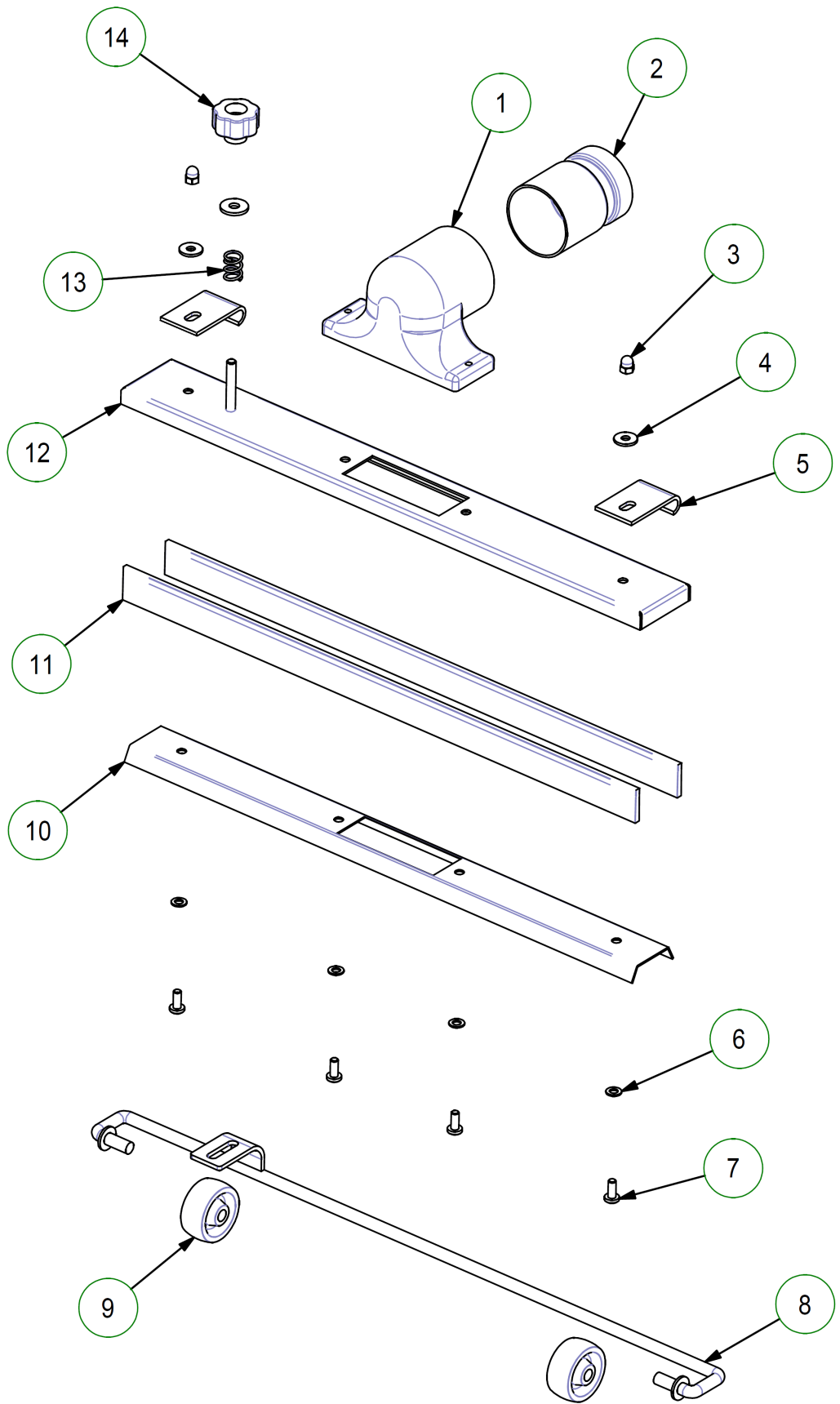
5 Trolley

Item no.	Article no.	Description	Quantity
1	019368	Plastic cover 35x35 T-Rex	2
2		Column for U-profile T-Rex	2
3		Hand grip Carriage T-Rex	1
4		Plastic cover handle Ø25mm T-Rex	1
5		Lifter Handel for Dust Chamber	1
6	165550	Rubber Wheels Ø150 Vacuclean/T-Rex	2
7	165604	Axle retainer T-Rex	2
8	084588	Rubber Wheel with Break Vacuclean/T-Rex	1
9	084587	Rubber Wheels Ø100 Vacuclean/T-Rex	1
10		Box for Accessories	1
11		Carrier frame	1
12		Squared underhead screw M10x70 DIN 603	2
13		Double bow clip	1
14		Holder for Double bow clip	1
15	089559	Glider height adjustment T-Rex	2
16	089560	Mounting rotary adjustment T-Rex	2
17	085507	Frame Kit T-REX	1

6 Accessories

Item no.	Article no.	Description	Quantity
1	014261	Fine dust filter T-Rex	1
1	013335	Suction pipe Ø50mm for T-Rex	1
1	014262	Suction nozzle round Ø50mm T-Rex	1
1	013336	Roller nozzle Ø 50mm for T-Rex	1

1 Roller nozzle Ø 50mm for T-Rex



1 Roller nozzle Ø 50mm for T-Rex

Item no.	Article no.	Description	Quantity
1		Cast aluminium holder Ø50mm	1
2		Plug-in piece	1
3	018714	Lens head screw M5x12 DIN 7985	2
4	017780	Washer M5 DIN 125 A	3
5		Holding Plate	2
6		Washer 5.3x10	4
7		Screw	4
8		Wheel Axle	1
9	056027	Wheel black 40mm	2
10	085474	Bar for roller nozzle bottom	1
11	050286	Spare brush for floor nozzle 430mm	2
11	083872	Suction lips for Floor nozzle V2+LP 430m	2
12		Bar for roller nozzle on top	1
13		Spring	1
14	164631	Knurled nut floor nozzle Vac. + T-Rex	1

7 Hose accessory Ø50mm

Item no.	Article no.	Description	Quantity
1	013337	Suction hose Ø50mm length 5m	1
1	013338	Hose connector, Ø50mm T-Rex	1
1	013339	End piece, Ø50mm T-Rex	1
1	013340	Hose connector Ø50mm T-Rex	1
1	013445	Hose clamp, 40-60mm	1

8 Hose accessory Ø70mm

Item no.	Article no.	Description	Quantity
1	048371	Suction hose Ø70mm, 15m T-Rex	1
1	014268	Hose connector, Ø70mm T-Rex	1
1	014273	End piece, Ø 70mm T-Rex	1
1	014263	Add-on floornozzle, 70cm T-Rex	1
1	014269	Hose clamp, 60 - 80 mm	1