



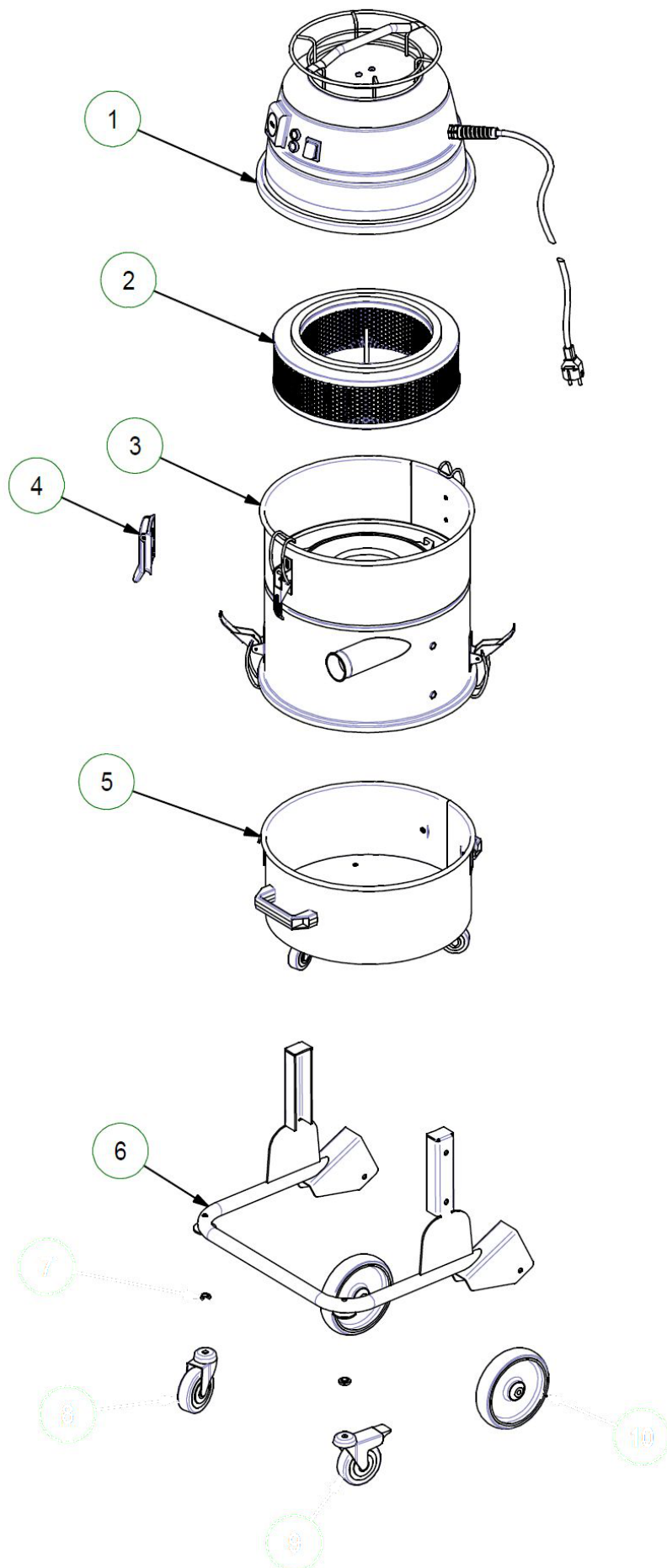
spare parts list Vacuclean1 230V EU



Table of contents

1 Vacuclean1 EU (Jan 17)	3
1 Motor Head Kit	5
2 Absolute Filter H	8
3 Dust Chamber with M Filter	10
4 Flap	12
5 Dust Container Kit	14
6 Trolley	16
7 Accessories	18
1 Vacuclean1 EU (Jan 19)	20
1 Motor Head Kit	22
2 Absolute Filter H	25
3 Dust Chamber with M Filter	27
4 Flap	29
5 Dust Container Kit	31
6 Trolley	33
7 Accessories	35

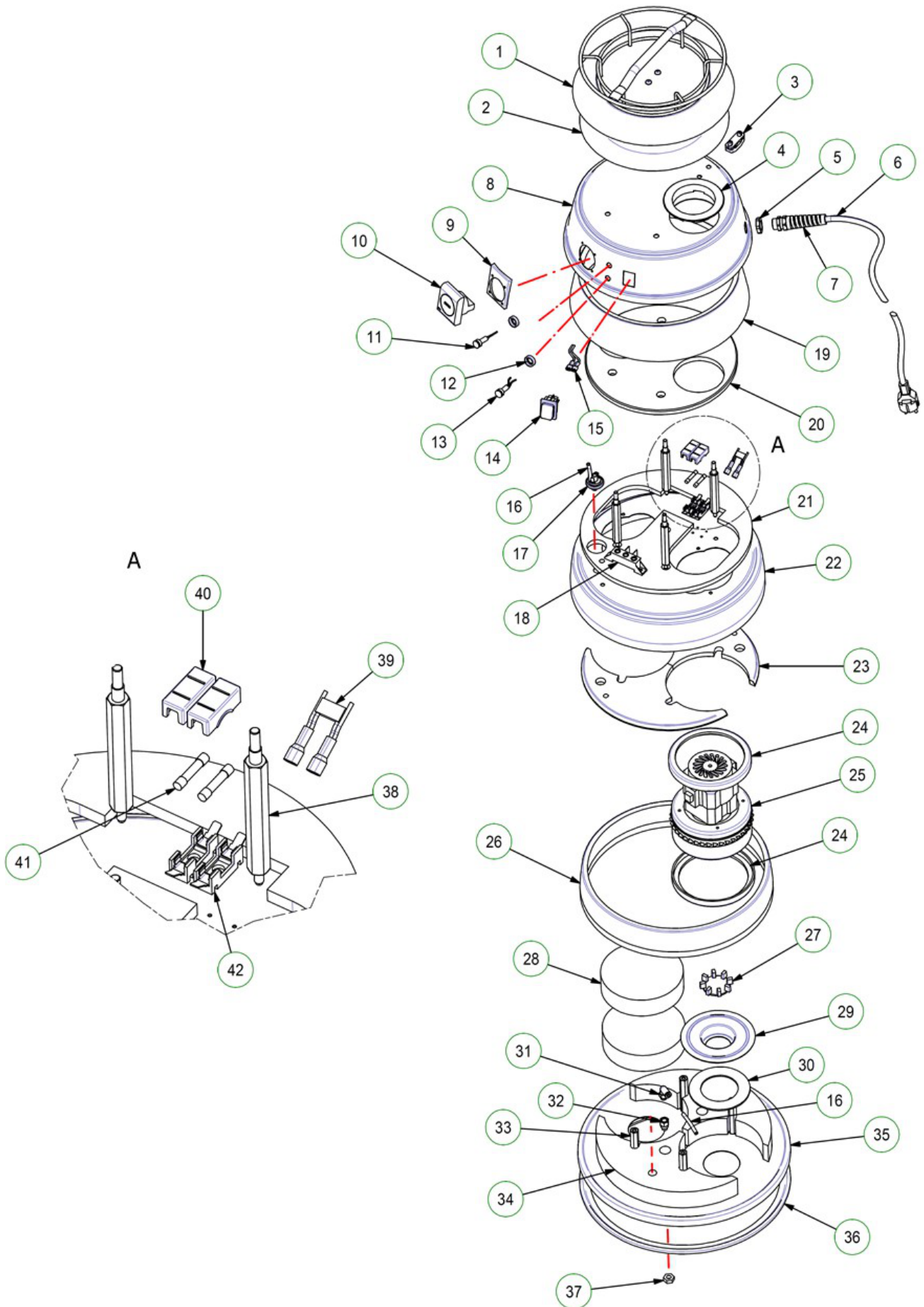
1 Vacuclean1 EU (Jan 17)



1 Vacuclean1 EU (Jan 17)

Item no.	Article no.	Description
1	01_01_081150	Motor Head Kit
2	01_02_081153	Absolute Filter H
3	01_03_081153	Dust Chamber with M Filter
4	01_03_081148	Flap
5	01_05_081153	Dust Container Kit
6	01_06_081153	Trolley
7	01_07_081153	Accessories

1 Motor Head Kit



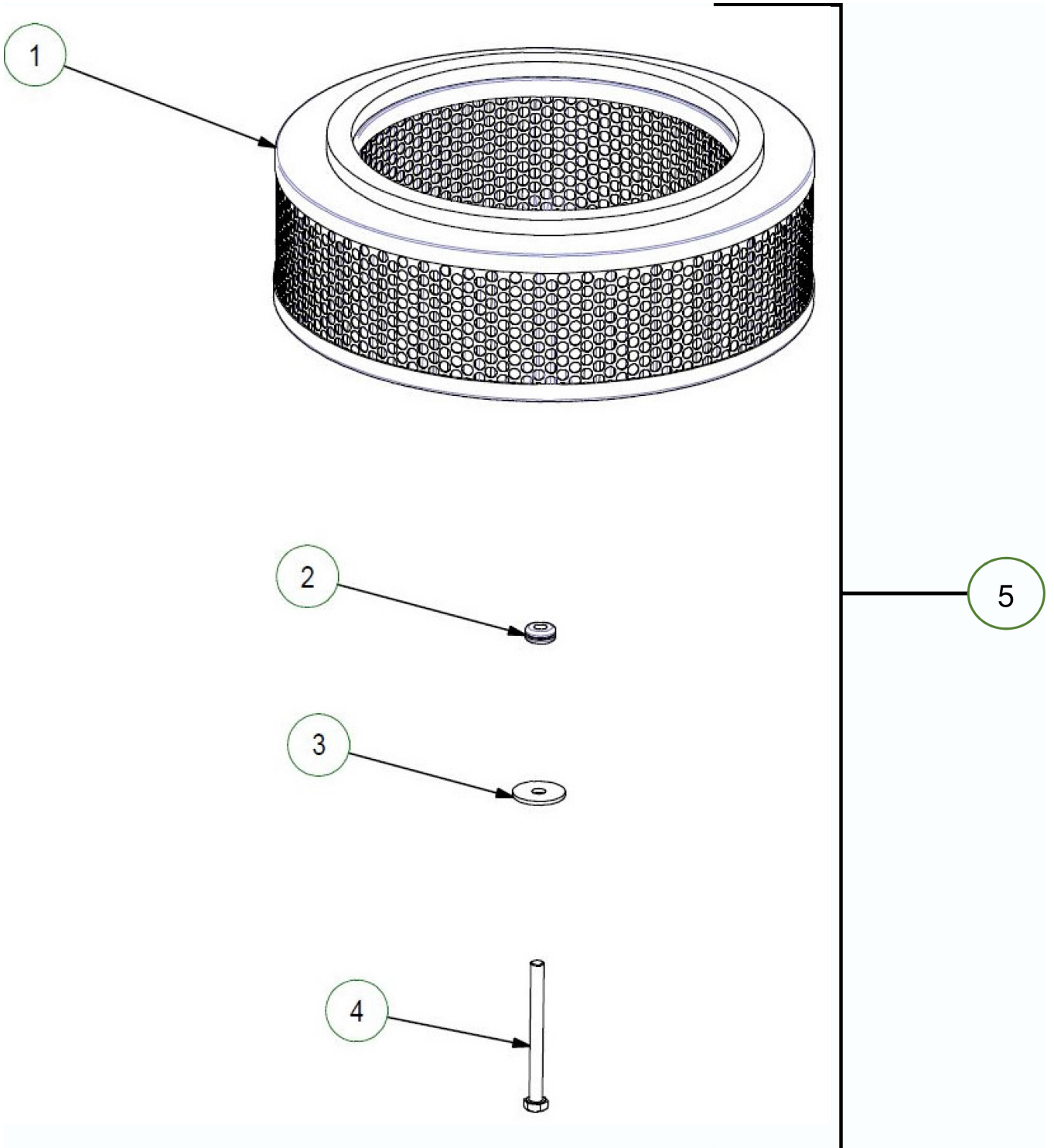
1 Motor Head Kit

Item no.	Article no.	Description	Quantity
1	084590	Cover with Cable holder Vacu/Hepa	1
2	084591	Insulating mat top Vacuclean	1
3	084593	Cabel Fastener Support Vacuclean/T-Rex	1
4	084592	Cooling Ring Vacuclean/T-Rex	1
5	019346	Cable clamb nut PG13,5 black	1
6	019348	Cable with plug Vacuclean/T-Rex	1
7	019347	Knick protection Vacuclean /T-Rex	1
8	084687	Cover top Vacuclean 1	1
9	084688	Frame Socket Vacuclean1	1
10	084689	Socket 230V Vacuclean1	1
11	042188	Red warning light power Vacu. SEE 42189	1
12	084594	Chromed Nut for Light Vacuclean	2
13	042186	Green warning light Vacuclean/T-Rex	1
14	060516	Switch red Vacuclean /T-Rex	1
15	086289	Cable air pressure switch 230VVacuclean1	1
16	086216	PU Hose 4x6 Vacuclean 230V	1
17	084607	Pressure switch Vacuclean/T-Rex	1
18	086195	Through terminal block Vacuclean 230V	1
19	084597	Cover Noise Buffering top Vacuclean	1
20	084598	Insulating mat center Vacuclean	1
21	084608	Insulating mat Motor Vacuclean	1
22	084610	Motor Cover Vacuclean	1
23	084611	Insulating mat below Vacuclean	2
24	019356	Gasket Motor 145x5 Vacuclean/T-Rex	2
25	017287	Motor 230V 50-60Hz Vac/ SEE 177447	1
25	177447	Motor 230V 50-60Hz Vacuclean/T-Rex 2023	1
26	084613	Cover Noise Buffering below Vacu.	1
27	084614	Valve Bottom Plate Vacuclean/T-Rex	1
28	084691	Motor Gasket Vacuclean	1
29	084615	Bottom Plate Motor Vacuclean/T-Rex	1
30	084616	Bottom Plate Gasket Vacuclean/T-Rex	1
31	084619	Rotary joint Vacuclean	1
32	084620	Extension Vacuclean	1
33	084621	Spacer motor outside Vacuclean/T-Rex	4

1 Motor Head Kit

Item no.	Article no.	Description	Quantity
34	084622	Cover Noise Buffering Plate Vacuclean	2
35	084623	Base Plate Vacuclean	1
36	084624	Gasket Base Plate Vacuclean	1
37	084626	Hexagon nut Vacuclean	1
38	084628	Spacer for Cover Vacuclean	4
39	086197	Cable bridge Vacuclean 230V	2
40	084631	Fusecover Vacuclean/T-Rex	2
41	084692	Fuse 10A 230V Vacuclean/T-Rex	2
42	060517	Fuse holder Vacuclean /T-Rex	2

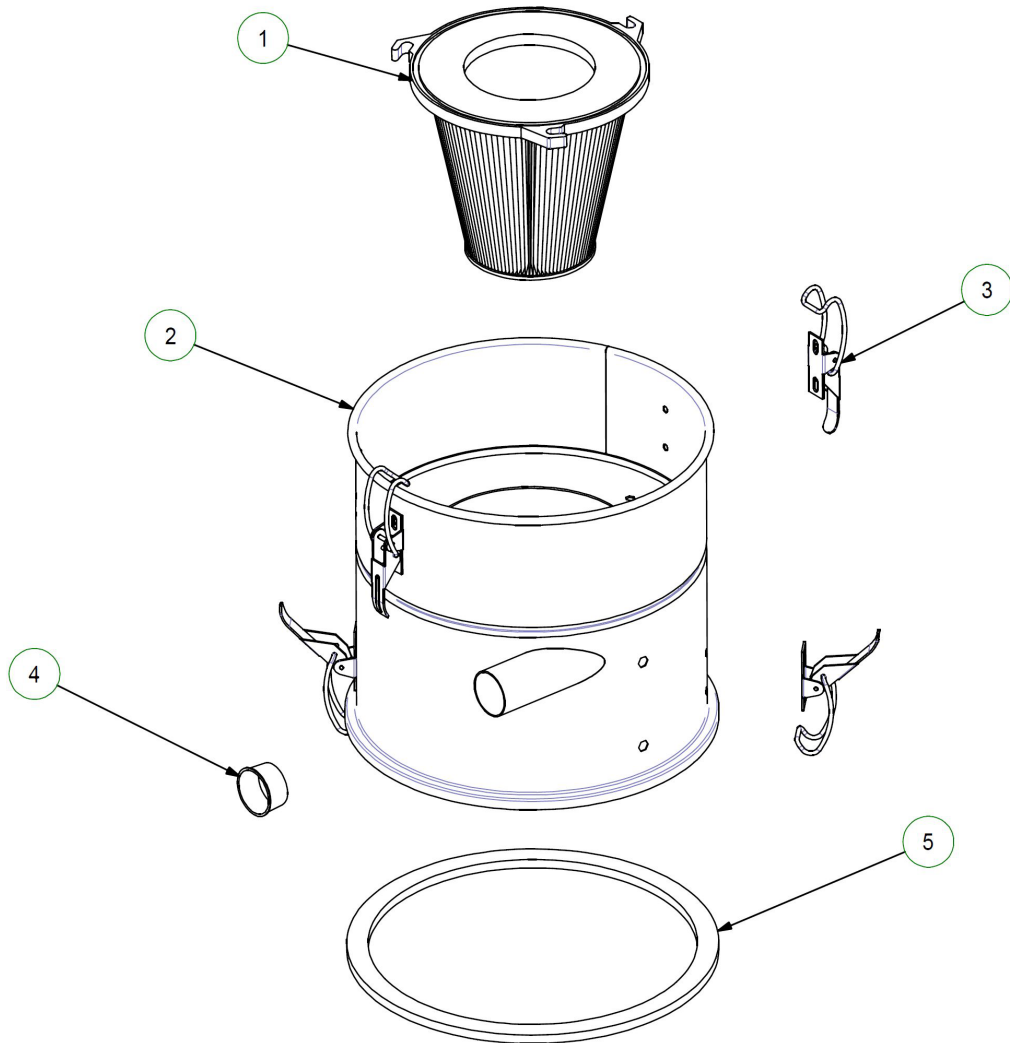
2 Absolute Filter H



2 Absolute Filter H

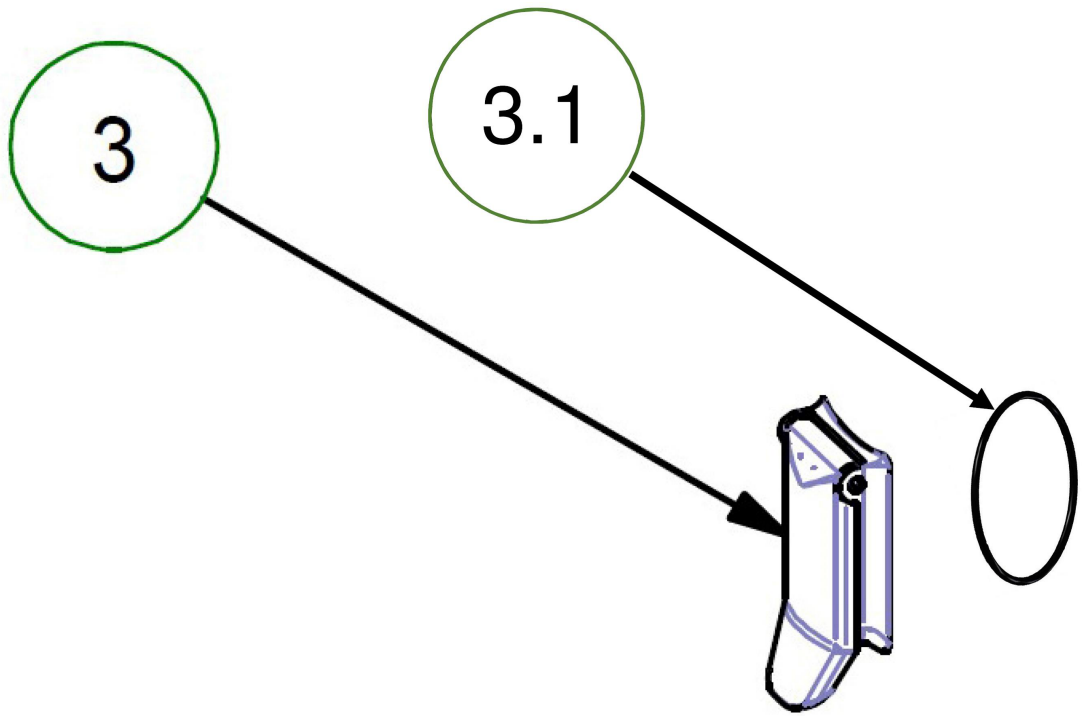
Item no.	Article no.	Description	Quantity
1	084303	Filter H14/HEPA Vacuclean 1/2/2LP	1
2	084634	Rubber enforcement Vacuclean	1
3	084635	Washer H Filter Vacuclean	1
4	082985	Screw 8X90 for HEPA Filter	1
5	084681	Filter H14/HEPA Kit for Vacuclean 1/2/LP	1

3 Dust Chamber with M Filter



3 Dust Chamber with M Filter

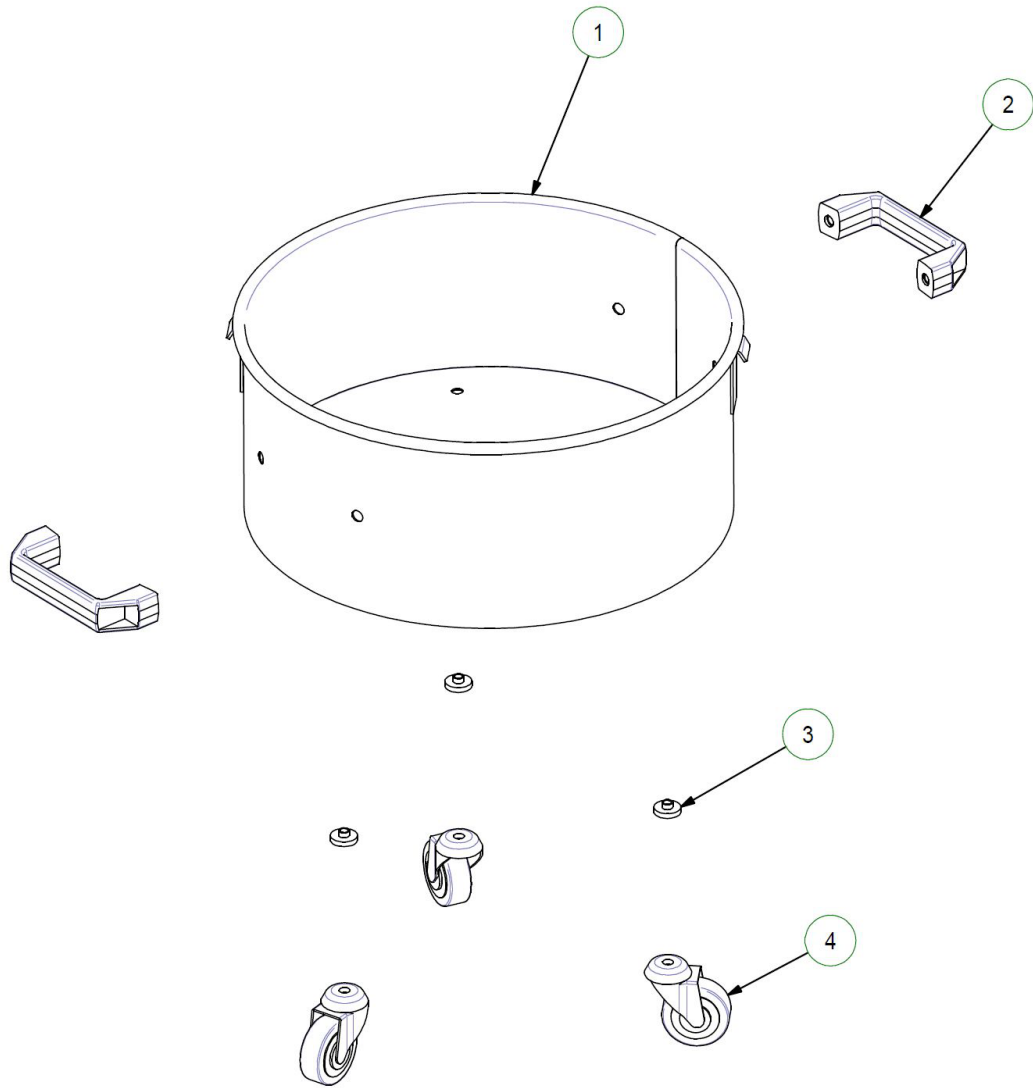
Item no.	Article no.	Description	Quantity
1	084524	CARTRIDGE FILTER "M" Vacuclean 1	1
2	084694	Filter chamber Vacuclean 1	1
3	019377	Lock Vacuclean / T-Rex	4
4	084695	Cover PVC Ø40 Vacuclean 1	1
5	084696	Adhesive Gasket Vacuclean 1+2	1



4 Flap

Item no.	Article no.	Description	Quantity
3	084585	Flap Ø50 Vacuclean	1
3.1	088725	O-Ring 55x2,5 - EPDM 70	2

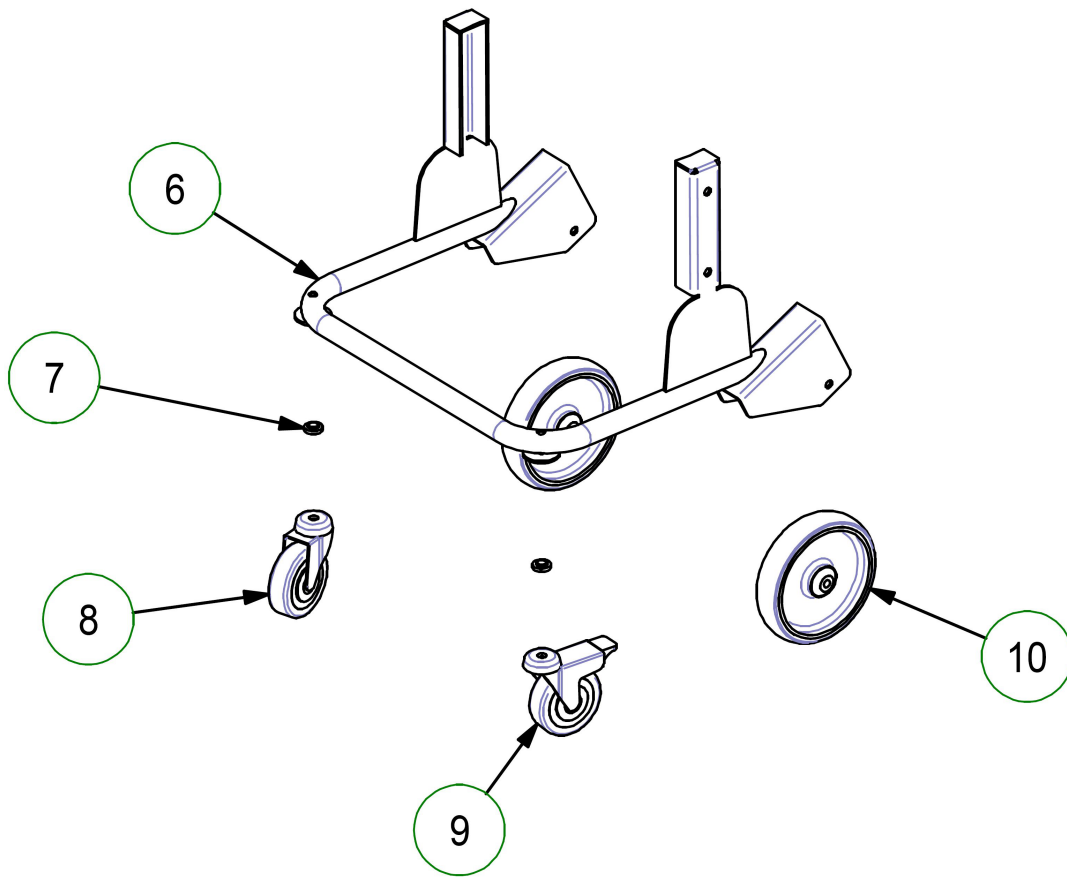
5 Dust Container Kit



5 Dust Container Kit

Item no.	Article no.	Description	Quantity
1	084697	Container Kit Vacuclean 1	1
2	083842	Plastic handgrip Vacuclean	2
3	084698	Toothed washer Vacuclean	3
4	083036	Castor bucket Ø50mm f.Vacuclean	3

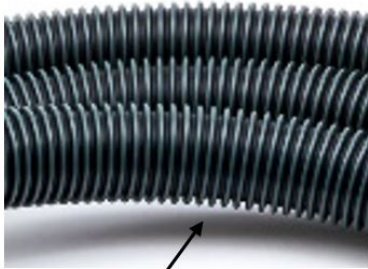
6 Trolley



6 Trolley

Item no.	Article no.	Description	Quantity
6	084684	Chassis Vacuclean 1	1
7	084685	Adapter disc steering Vacuclean 1	2
8	083448	Rubber Wheel Black Ø80mm Vacuclean1	1
9	083034	Wheel with brake Ø80mm Vacuclean1	1
10	083033	Wheel Ø150mm for Vacuclean	2

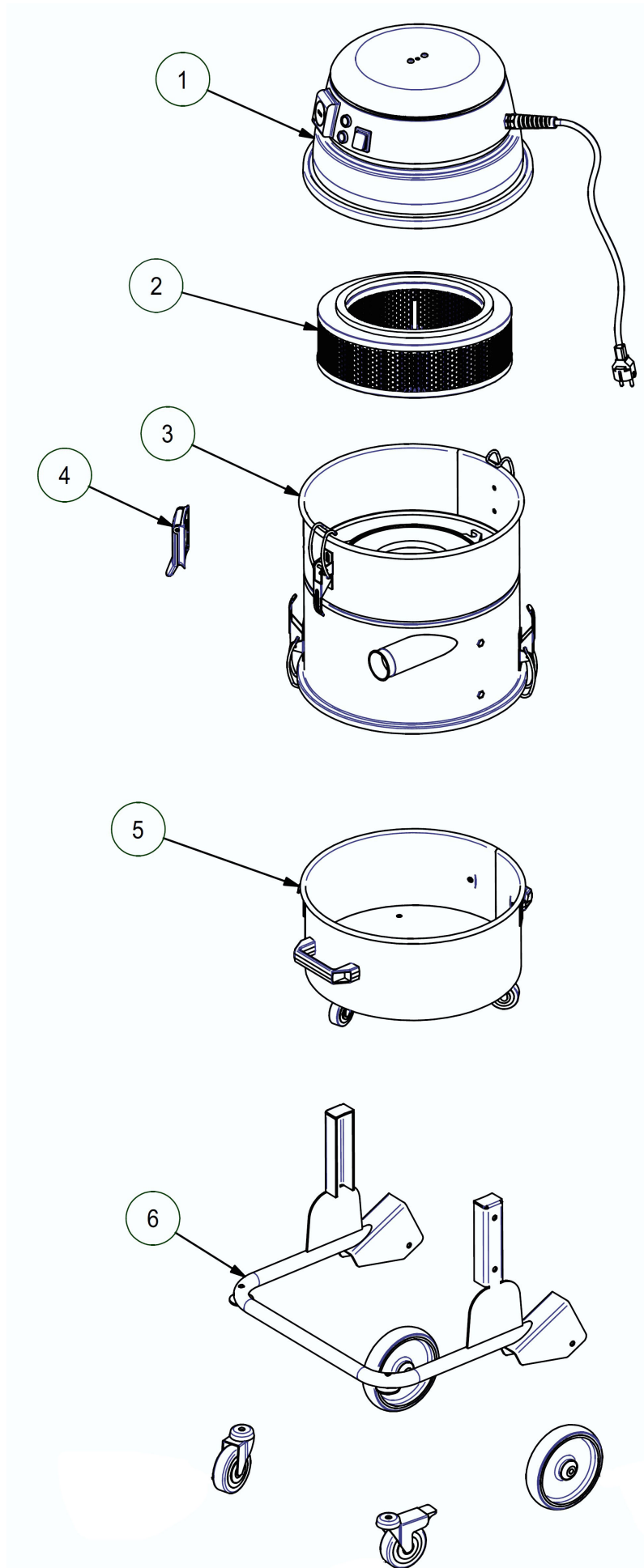
7 Accessories



7 Accessories

Item no.	Article no.	Description	Quantity
1	083509	Reducer 50/38mm for Vacuclean	1
2	083510	Hose connection rubber for Vacuclean 1	1
3	083511	Anti -Static 5m Hose Ø 38mm SEE 163909	1
4	083512	Hand brush for Vacuclean 1	1
5	083513	Suction tube Vacuclean 1	1
6	083514	Floor nozzle Plastic Ø38mm f. Vacuclean1	1

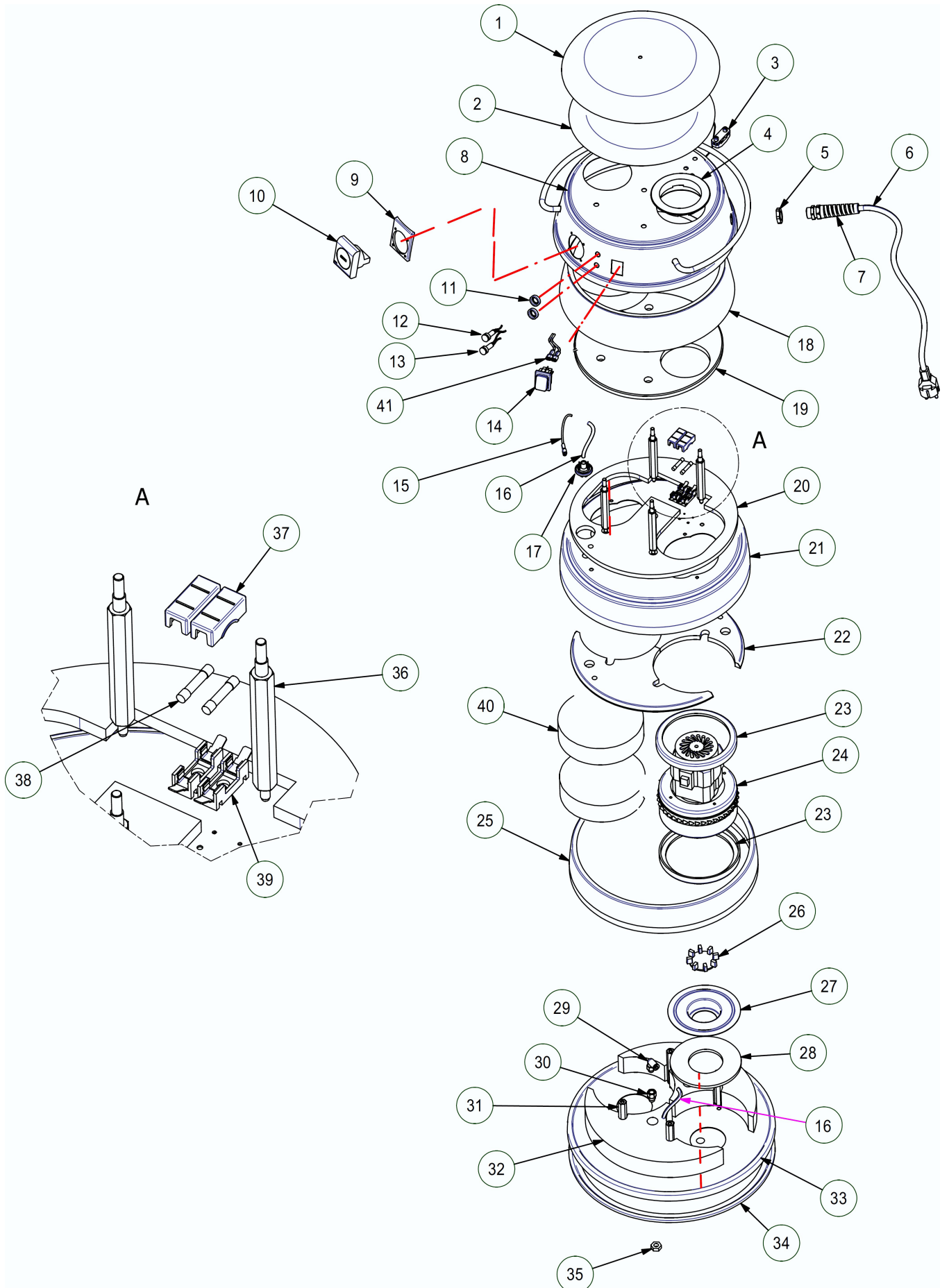
1 Vacuclean1 EU (Jan 19)



1 Vacuclean1 EU (Jan 19)

Item no.	Article no.	Description
1	02_02_081150	Motor Head Kit
2	01_02_081153	Absolute Filter H
3	01_03_081153	Dust Chamber with M Filter
4	01_03_081148	Flap
5	01_05_081153	Dust Container Kit
6	01_06_081153	Trolley
7	01_07_081153	Accessories

1 Motor Head Kit



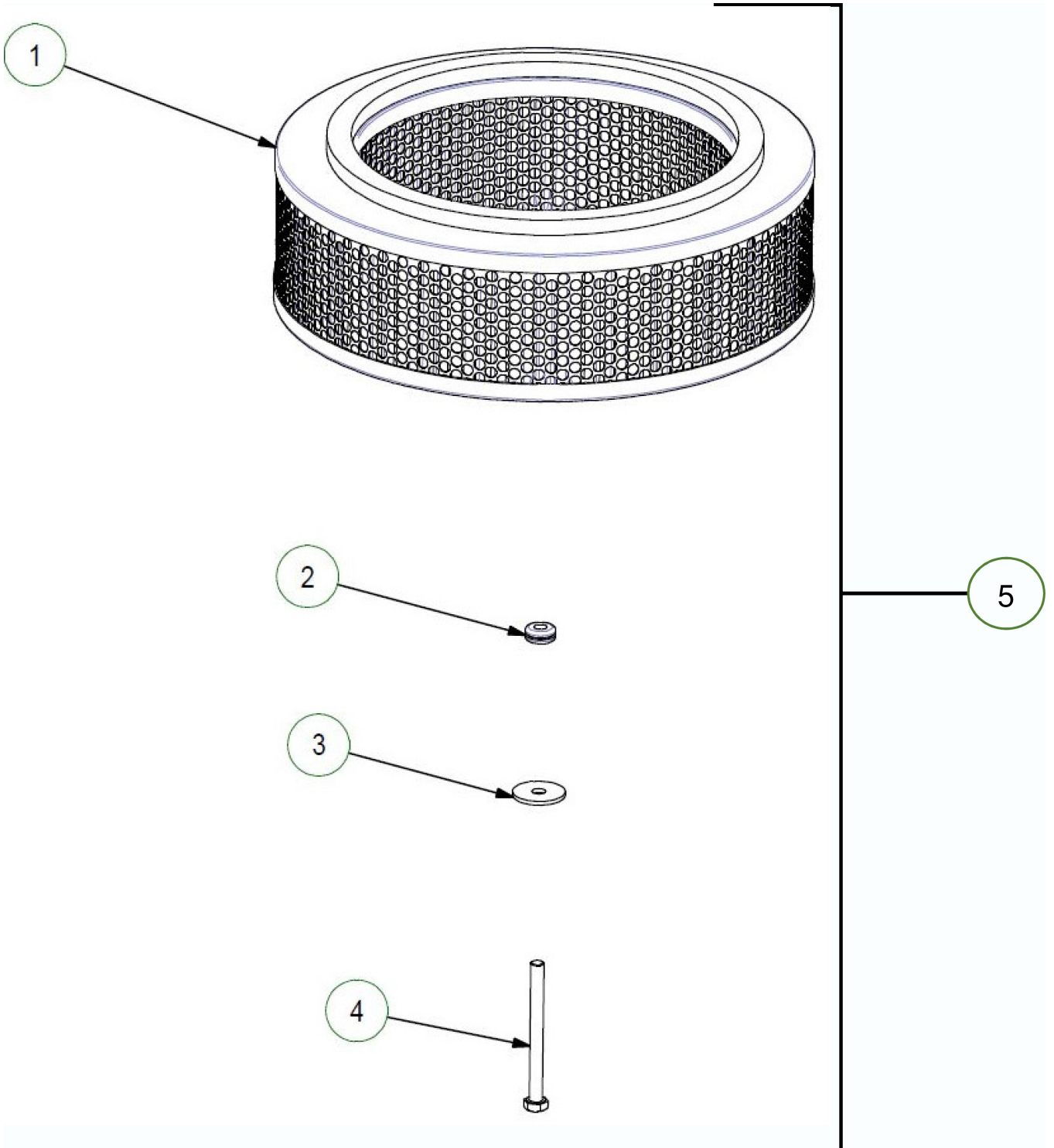
1 Motor Head Kit

Item no.	Article no.	Description	Quantity
1		Covering head Vacuclean/Hepa Vac 2019	1
2	084591	Insulating mat top Vacuclean	1
3	084593	Cabel Fastener Support Vacuclean/T-Rex	1
4	084592	Cooling Ring Vacuclean/T-Rex	1
5	019346	Cable clamb nut PG13,5 black	1
6	019348	Cable with plug Vacuclean/T-Rex	1
7	019347	Knick protection Vacuclean /T-Rex	1
8		Cover top Vacuclean 2019	1
9	084688	Frame Socket Vacuclean1	1
10	084689	Socket 230V Vacuclean1	1
11	084594	Chromed Nut for Light Vacuclean	2
12	042188	Red warning light power Vacu. SEE 42189	1
13	042186	Green warning light Vacuclean/T-Rex	1
14	060516	Switch red Vacuclean /T-Rex	1
15	084604	Cable air pressure switch Vacuclean	1
16	086216	PU Hose 4x6 Vacuclean 230V	1
17	084607	Pressure switch Vacuclean/T-Rex	1
18	084597	Cover Noise Buffering top Vacuclean	1
19	084598	Insulating mat center Vacuclean	1
20	084608	Insulating mat Motor Vacuclean	1
21	084610	Motor Cover Vacuclean	1
22	084611	Insulating mat below Vacuclean	2
23	019356	Gasket Motor 145x5 Vacuclean/T-Rex	2
24	177447	Motor 230V 50-60Hz Vacuclean/T-Rex 2023	1
24	017287	Motor 230V 50-60Hz Vac/ SEE 177447	1
25	084613	Cover Noise Buffering below Vacu.	1
26	084613	Cover Noise Buffering below Vacu.	1
27	084615	Bottom Plate Motor Vacuclean/T-Rex	1
28	084616	Bottom Plate Gasket Vacuclean/T-Rex	1
29	084619	Rotary joint Vacuclean	1
30	084616	Bottom Plate Gasket Vacuclean/T-Rex	1
31	084621	Spacer motor outside Vacuclean/T-Rex	4
32	084622	Cover Noise Buffering Plate Vacuclean	2
33	084623	Base Plate Vacuclean	1

1 Motor Head Kit

Item no.	Article no.	Description	Quantity
34	084624	Gasket Base Plate Vacuclean	1
35	084626	Hexagon nut Vacuclean	1
36	084628	Spacer for Cover Vacuclean	4
37	084631	Fusecover Vacuclean/T-Rex	2
38	084692	Fuse 10A 230V Vacuclean/T-Rex	2
39	060517	Fuse holder Vacuclean /T-Rex	2
40	084691	Motor Gasket Vacuclean	1
41	086289	Cable air pressure switch 230V Vacuclean1	1

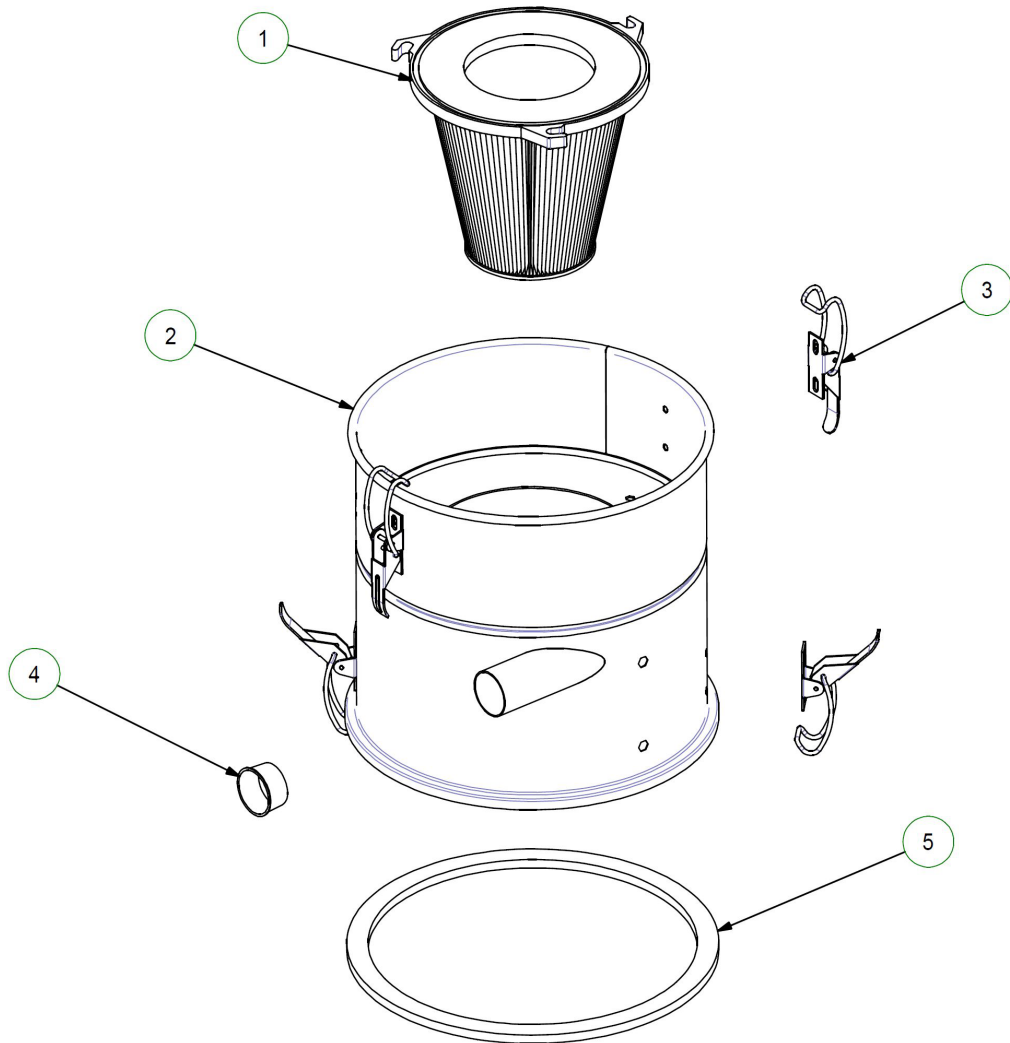
2 Absolute Filter H



2 Absolute Filter H

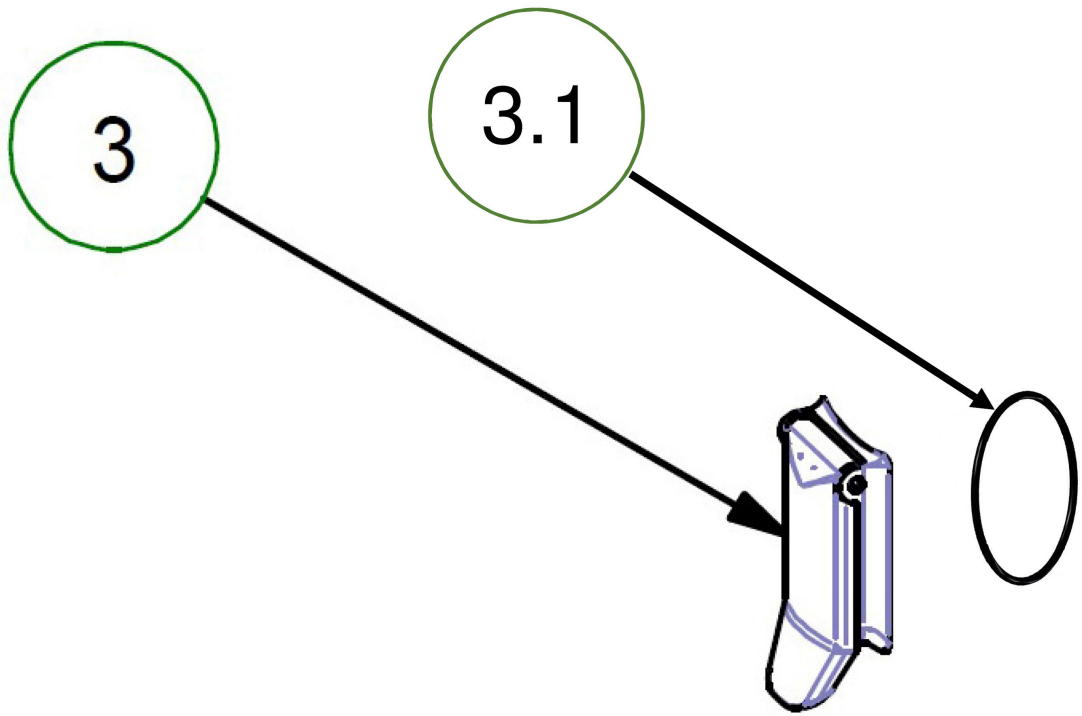
Item no.	Article no.	Description	Quantity
1	084303	Filter H14/HEPA Vacuclean 1/2/2LP	1
2	084634	Rubber enforcement Vacuclean	1
3	084635	Washer H Filter Vacuclean	1
4	082985	Screw 8X90 for HEPA Filter	1
5	084681	Filter H14/HEPA Kit for Vacuclean 1/2/LP	1

3 Dust Chamber with M Filter



3 Dust Chamber with M Filter

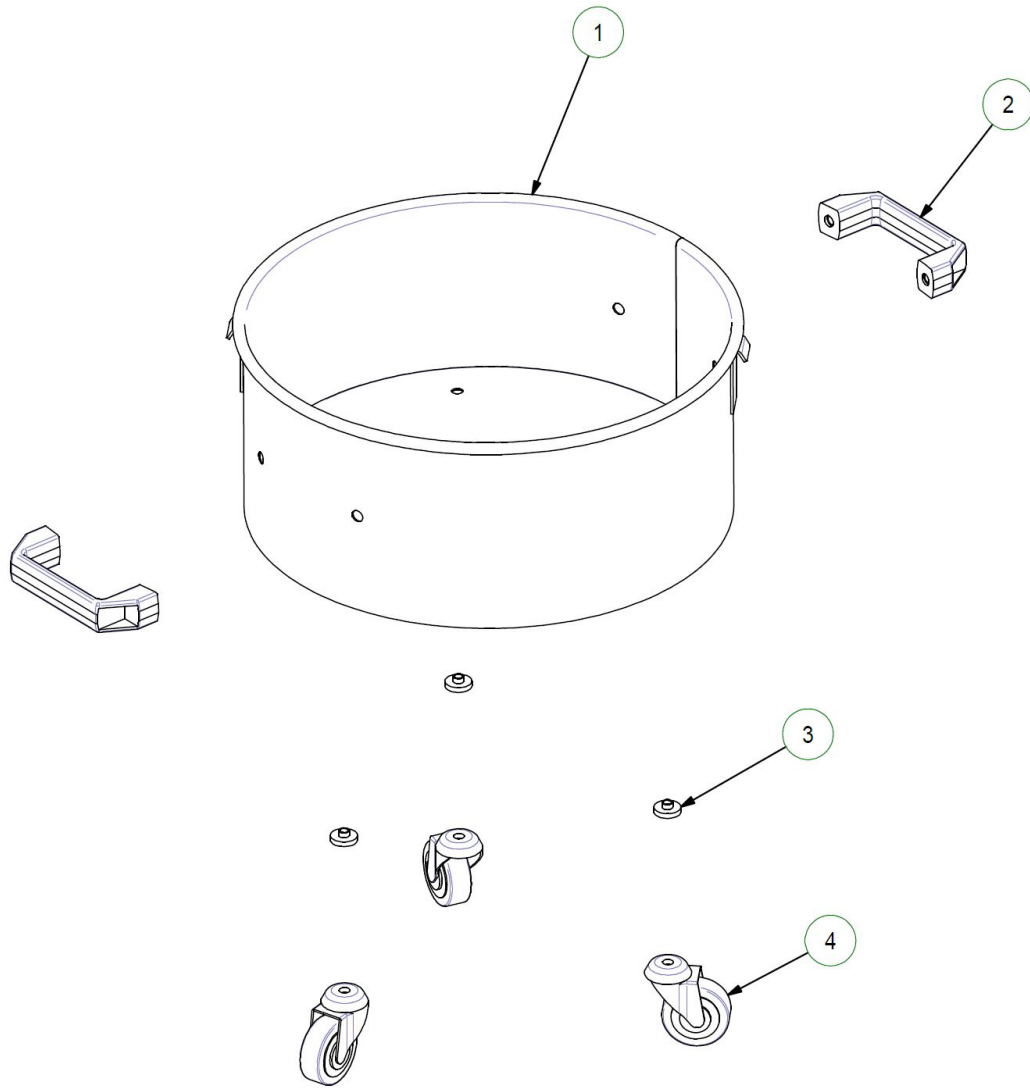
Item no.	Article no.	Description	Quantity
1	084524	CARTRIDGE FILTER "M" Vacuclean 1	1
2	084694	Filter chamber Vacuclean 1	1
3	019377	Lock Vacuclean / T-Rex	4
4	084695	Cover PVC Ø40 Vacuclean 1	1
5	084696	Adhesive Gasket Vacuclean 1+2	1



4 Flap

Item no.	Article no.	Description	Quantity
3	084585	Flap Ø50 Vacuclean	1
3.1	088725	O-Ring 55x2,5 - EPDM 70	2

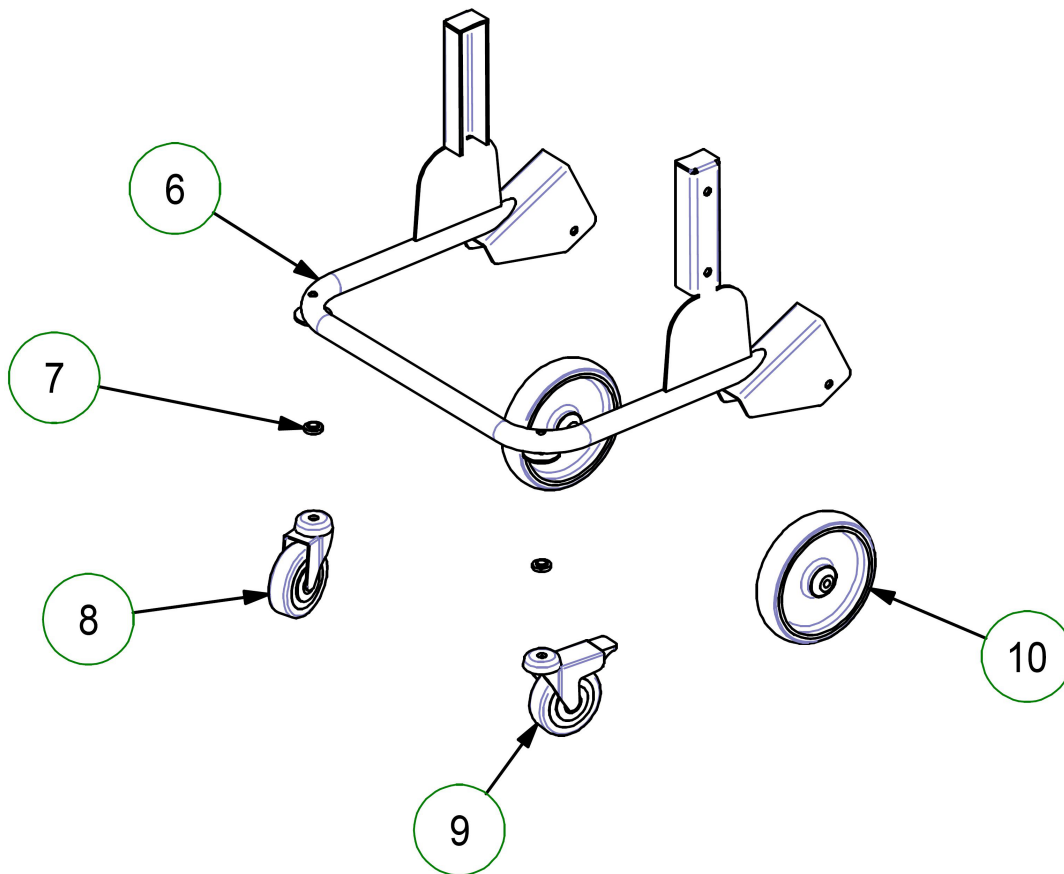
5 Dust Container Kit



5 Dust Container Kit

Item no.	Article no.	Description	Quantity
1	084697	Container Kit Vacuclean 1	1
2	083842	Plastic handgrip Vacuclean	2
3	084698	Toothed washer Vacuclean	3
4	083036	Castor bucket Ø50mm f.Vacuclean	3

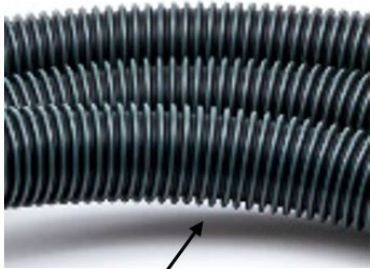
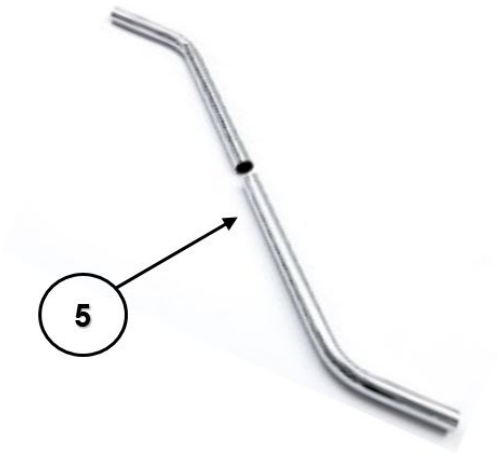
6 Trolley



6 Trolley

Item no.	Article no.	Description	Quantity
6	084684	Chassis Vacuclean 1	1
7	084685	Adapter disc steering Vacuclean 1	2
8	083448	Rubber Wheel Black Ø80mm Vacuclean1	1
9	083034	Wheel with brake Ø80mm Vacuclean1	1
10	083033	Wheel Ø150mm for Vacuclean	2

7 Accessories



7 Accessories

Item no.	Article no.	Description	Quantity
1	083509	Reducer 50/38mm for Vacuclean	1
2	083510	Hose connection rubber for Vacuclean 1	1
3	083511	Anti -Static 5m Hose Ø 38mm SEE 163909	1
4	083512	Hand brush for Vacuclean 1	1
5	083513	Suction tube Vacuclean 1	1
6	083514	Floor nozzle Plastic Ø38mm f. Vacuclean1	1