



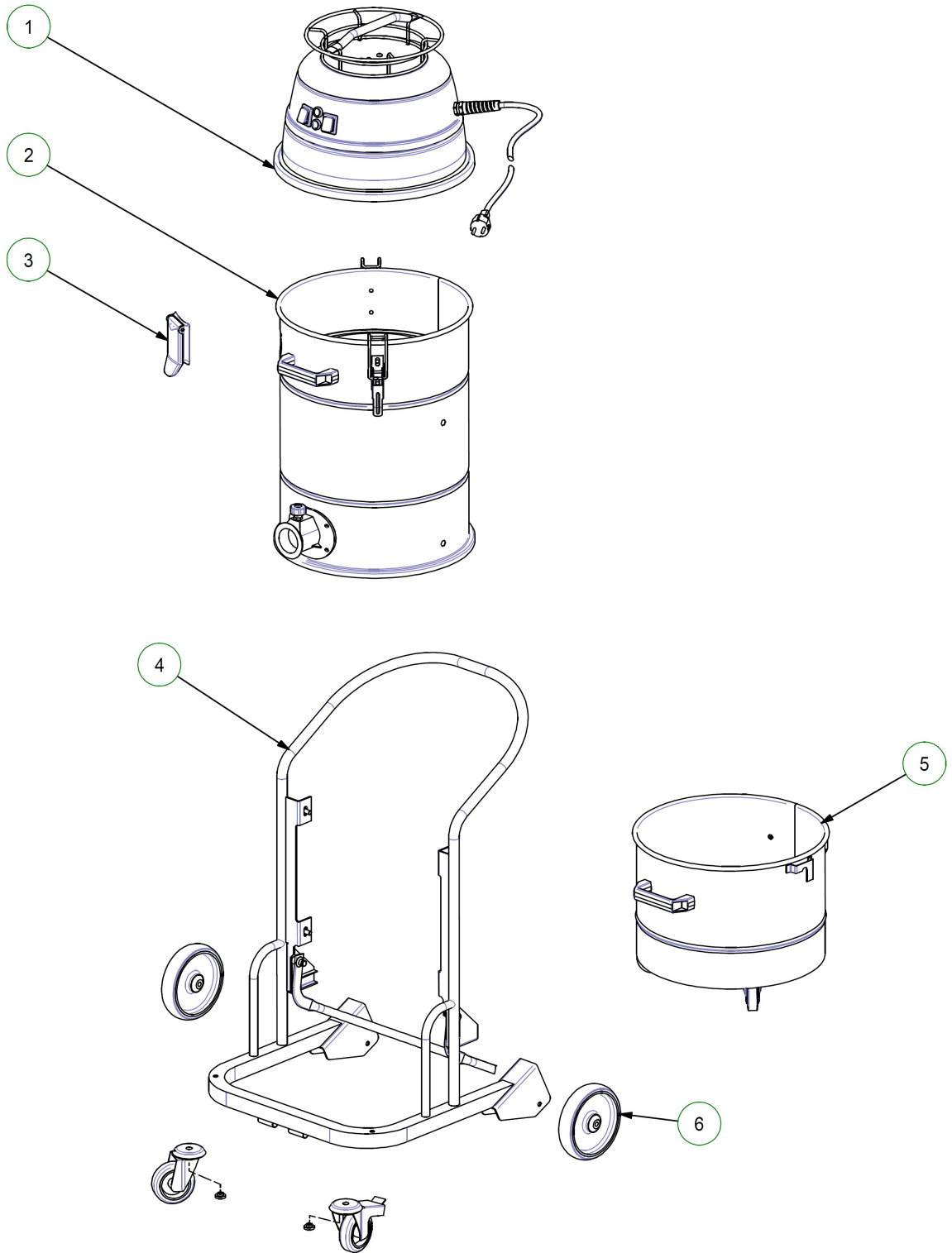
spare parts list Vacuclean2 230V EU



Table of contents

Vacuclean2 230V EU (Mrz. 16)	3
1 Motor Head Kit	5
2 Housing Kit	8
3 Flap	10
4 Chassis Kit	12
5 Container Kit	14
6 Wheels	16
7 Accessories	18
8 Hepa Filter	20
9 Floor nozzle steel Ø38 Vacuclean2+LP	22
Vacuclean2 230V EU (Jan. 19)	24
1 Motor Head Kit	26
2 Housing Kit	29
3 Flap	31
4 Chassis Kit	33
5 Container Kit	35
6 Wheels	37
7 Accessories	39
8 Hepa Filter	41
9 Floor nozzle steel Ø38 Vacuclean2+LP	43

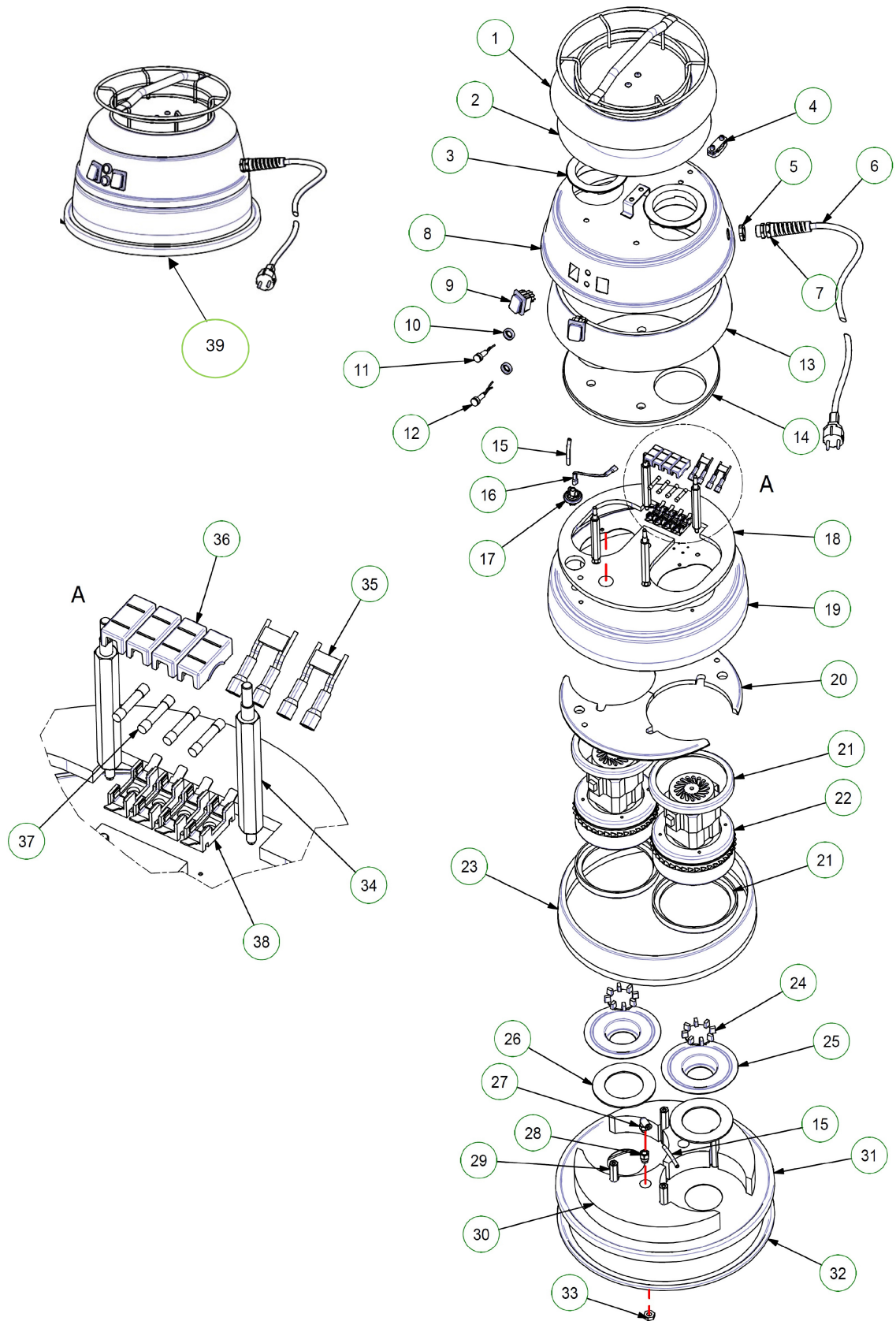
Vacuclean2 230V EU (Mrz. 16)



Vacuclean2 230V EU (Mrz. 16)

Item no.	Article no.	Description
1	01_01_081148	Motor Head Kit
2	01_02_081148	Housing Kit
3	01_03_081148	Flap
4	01_04_081148	Chassis Kit
5	01_05_081148	Container Kit
6	01_06_081148	Wheels
7	01_10_081706	Accessories
8	01_02_081153	Hepa Filter
9	01_11_081618	Floor nozzle steel Ø38 Vacuclean2+LP

1 Motor Head Kit



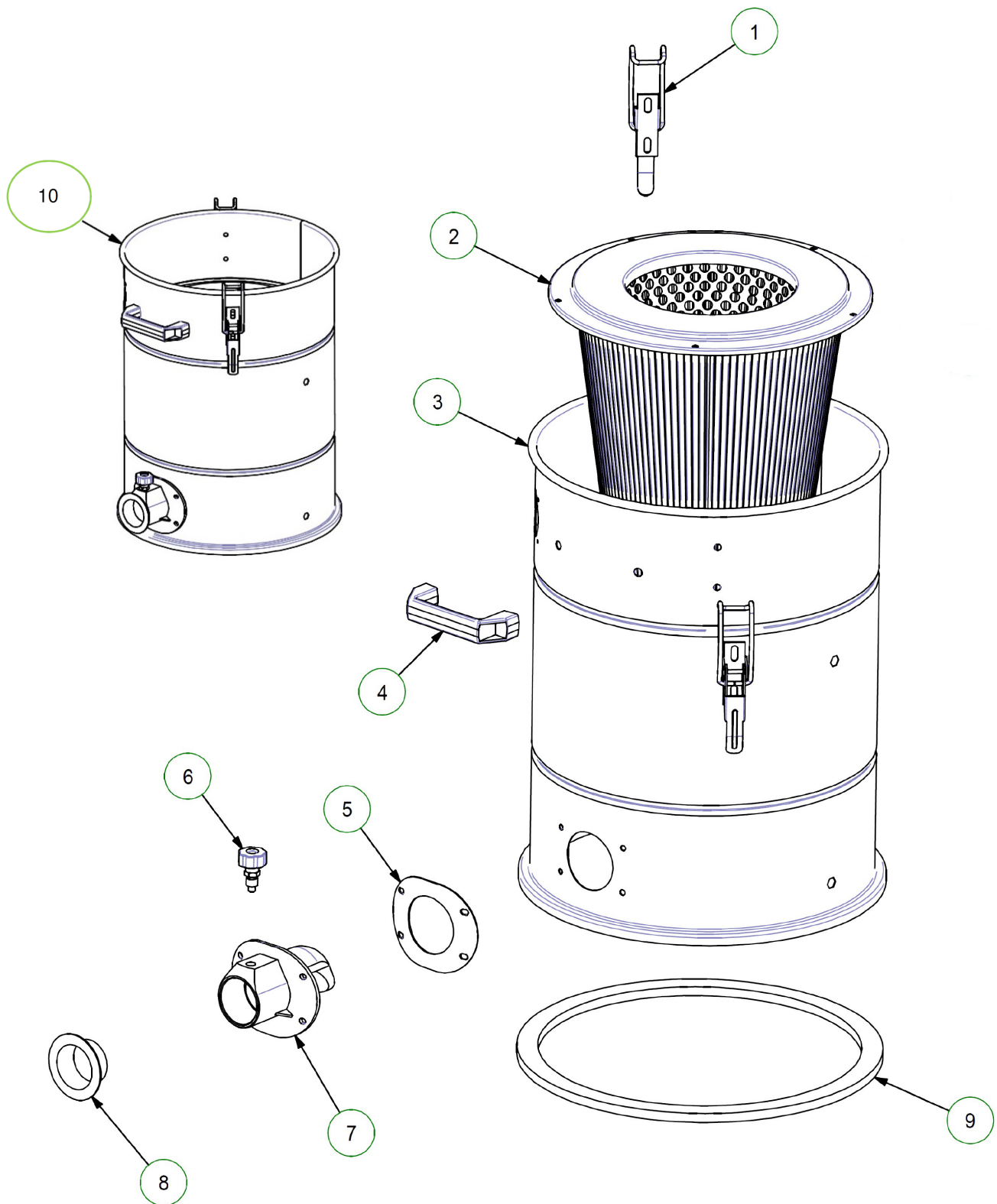
1 Motor Head Kit

Item no.	Article no.	Description	Quantity
1	084590	Cover with Cable holder Vacu/Hepa	1
2	084591	Insulating mat top Vacuclean	1
3	084592	Cooling Ring Vacuclean/T-Rex	2
4	084593	Cabel Fastener Support Vacuclean/T-Rex	1
5	019346	Cable clamb nut PG13,5 black	1
6	019348	Cable with plug Vacuclean/T-Rex	1
7	019347	Knick protection Vacuclean /T-Rex	1
8	086215	Cover Vacuclean2 230V	1
9	060516	Switch red Vacuclean /T-Rex	2
10	084594	Chromed Nut for Light Vacuclean	2
11	042189	Warning light orange Vacuclean/T-Rex	1
12	042186	Green warning light Vacuclean/T-Rex	1
13	084597	Cover Noise Buffering top Vacuclean	1
14	084598	Insulating mat center Vacuclean	1
15	086216	PU Hose 4x6 Vacuclean 230V	1
16	084604	Cable air pressure switch Vacuclean	1
17	084607	Pressure switch Vacuclean/T-Rex	1
18	084608	Insulating mat Motor Vacuclean	1
19	084610	Motor Cover Vacuclean	1
20	084611	Insulating mat below Vacuclean	2
21	019356	Gasket Motor 145x5 Vacuclean/T-Rex	4
22	017287	Motor 230V 50-60Hz Vac/ SEE 177447	2
22	177447	Motor 230V 50-60Hz Vacuclean/T-Rex 2023	2
23	084613	Cover Noise Buffering below Vacu.	1
24	084614	Valve Bottom Plate Vacuclean/T-Rex	2
25	084615	Bottom Plate Motor Vacuclean/T-Rex	2
26	084616	Bottom Plate Gasket Vacuclean/T-Rex	2
27	084619	Rotary joint Vacuclean	1
28	084620	Extension Vacuclean	1
29	084621	Spacer motor outside Vacuclean/T-Rex	4
30	084622	Cover Noise Buffering Plate Vacuclean	2
31	084623	Base Plate Vacuclean	1
32	084624	Gasket Base Plate Vacuclean	1
33	084626	Hexagon nut Vacuclean	1

1 Motor Head Kit

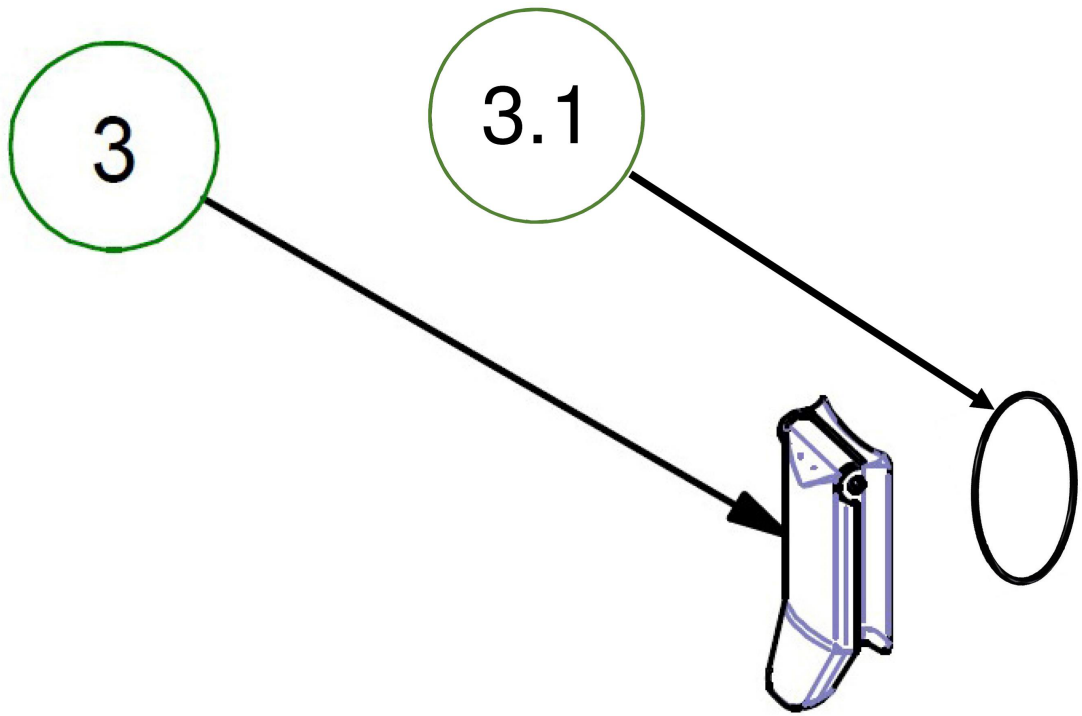
Item no.	Article no.	Description	Quantity
34	084628	Spacer for Cover Vacuclean	4
35	086217	Cable Kit Vacuclean2 230V	1
36	084631	Fusecover Vacuclean/T-Rex	4
37	084692	Fuse 10A 230V Vacuclean/T-Rex	4
38	060517	Fuse holder Vacuclean /T-Rex	4
39	086059	Motor Kit 230V Vacuclean2/+LP	1

2 Housing Kit



2 Housing Kit

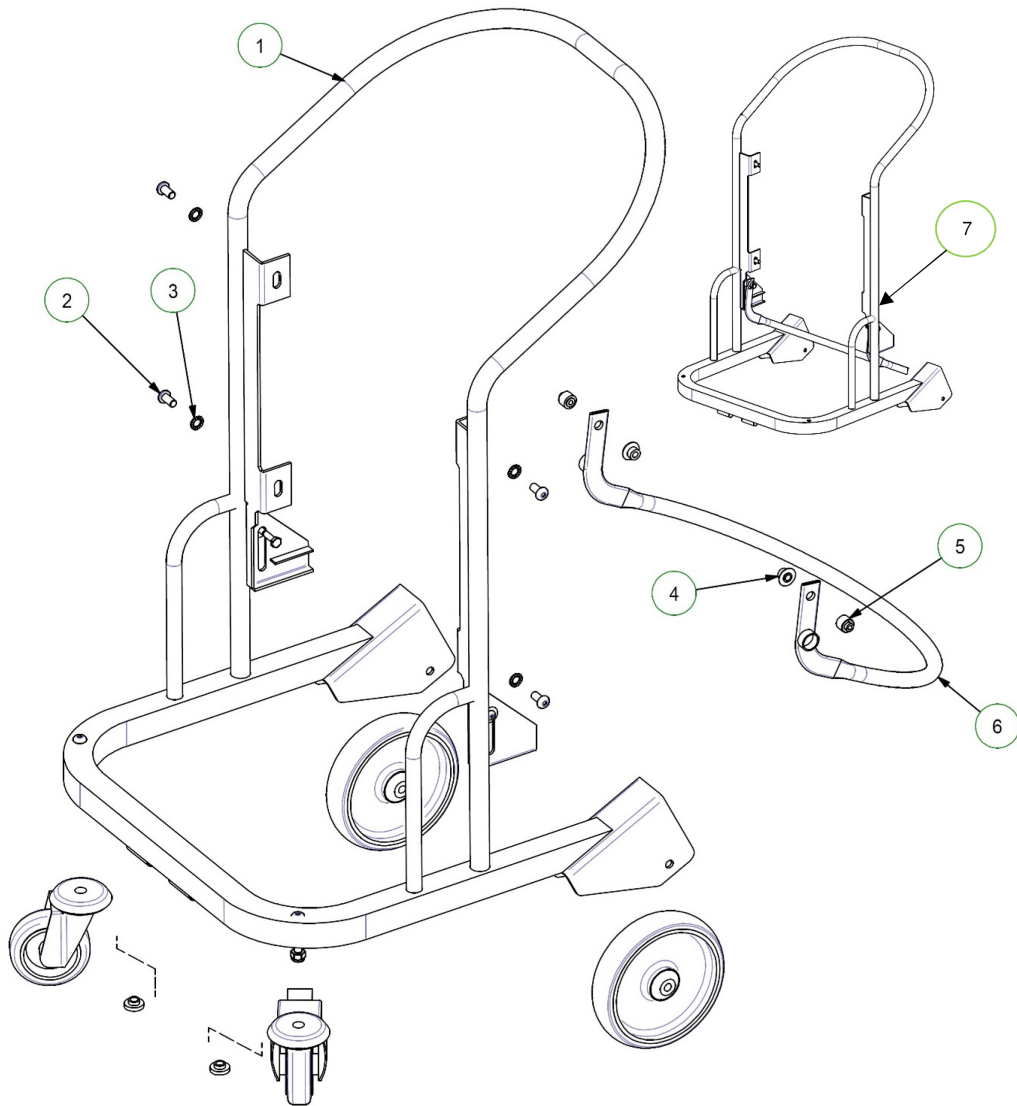
Item no.	Article no.	Description	Quantity
1	019377	Lock Vacuclean / T-Rex	2
2	081613	Filter M/PTFE for Vacuclean2+LP	1
3	086220	Filter Housing Vacuclean 2	1
4	083842	Plastic handgrip Vacuclean	1
5	084612	Gasket Hose Conecter Vacuclean 2	1
6	084156	Lock button suction tube/Frame	1
7	084643	Inlet connection Vacuclean 2LP	1
8	084657	Cover PVC Ø50 Vacuclean 2+2LP	1
9	084696	Adhesive Gasket Vacuclean 1+2	1
10	086207	Housing Kit Vacuclean 2	1



3 Flap

Item no.	Article no.	Description	Quantity
3	084585	Flap Ø50 Vacuclean	1
3.1	088725	O-Ring 55x2,5 - EPDM 70	2

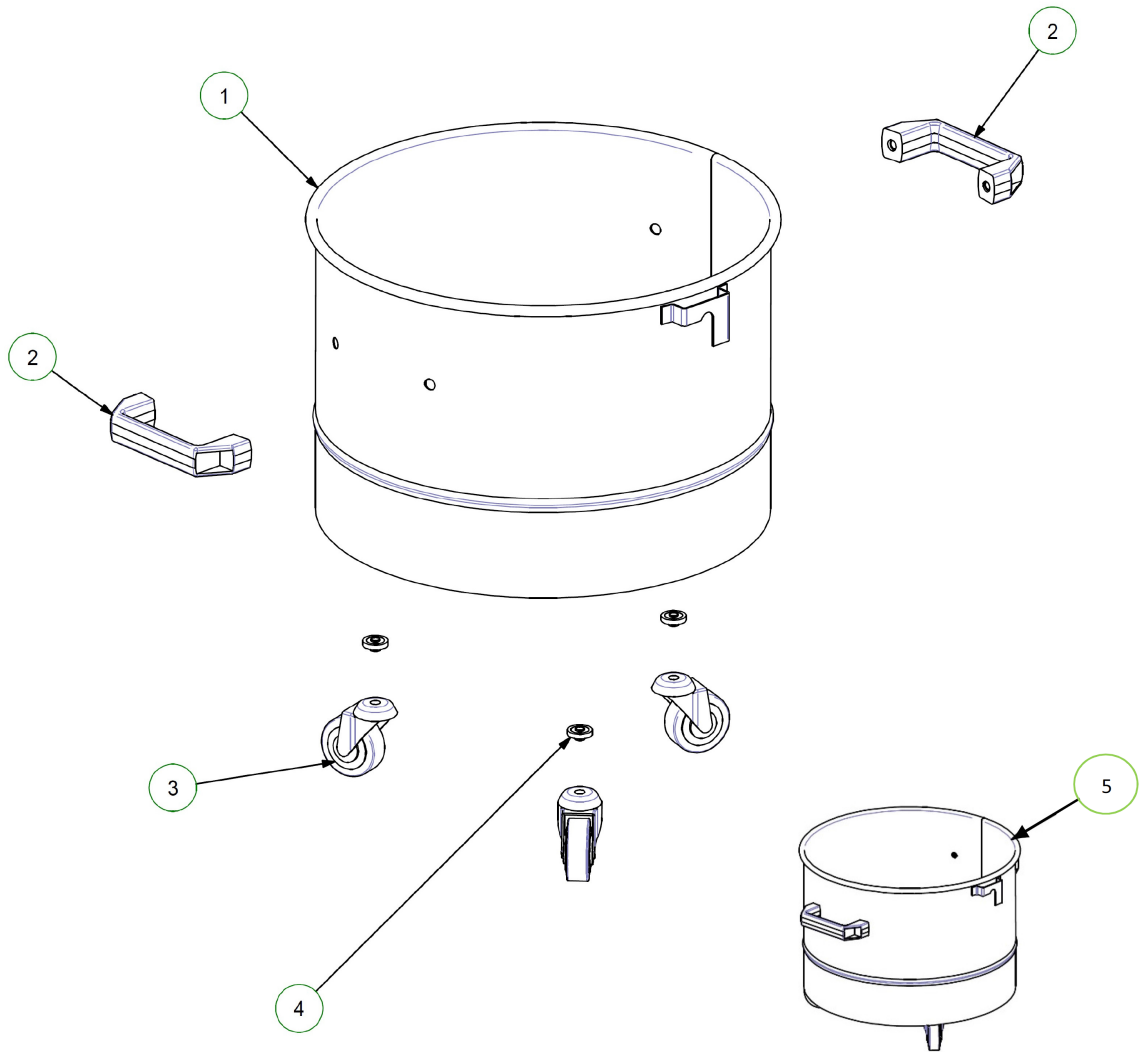
4 Chassis Kit



4 Chassis Kit

Item no.	Article no.	Description	Quantity
1	086219	Frame Vacuclean 2	1
2	083035	Round Head Screw Vacuclean	4
3	084698	Toothed washer Vacuclean	4
4	083508	Bush for Vacuclean2	2
5	078228	Distance Bush Vacuvlean2	2
6	086223	Hand grip Carriage Vacuclean2	1
7	086208	Frame Kit Vacuclean 2	1

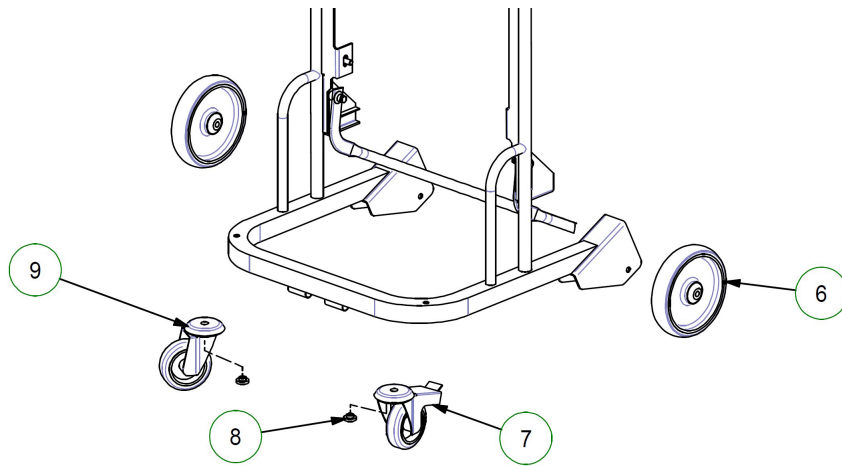
5 Container Kit



5 Container Kit

Item no.	Article no.	Description	Quantity
1	086218	Container Vacuclean2	1
2	083842	Plastic handgrip Vacuclean	2
3	083036	Castor bucket Ø50mm f.Vacuclean	3
4	084746	Adaptor washer for D.50 castor Vac.2	3
5	086209	Container Kit Vacuclean2 230V	1

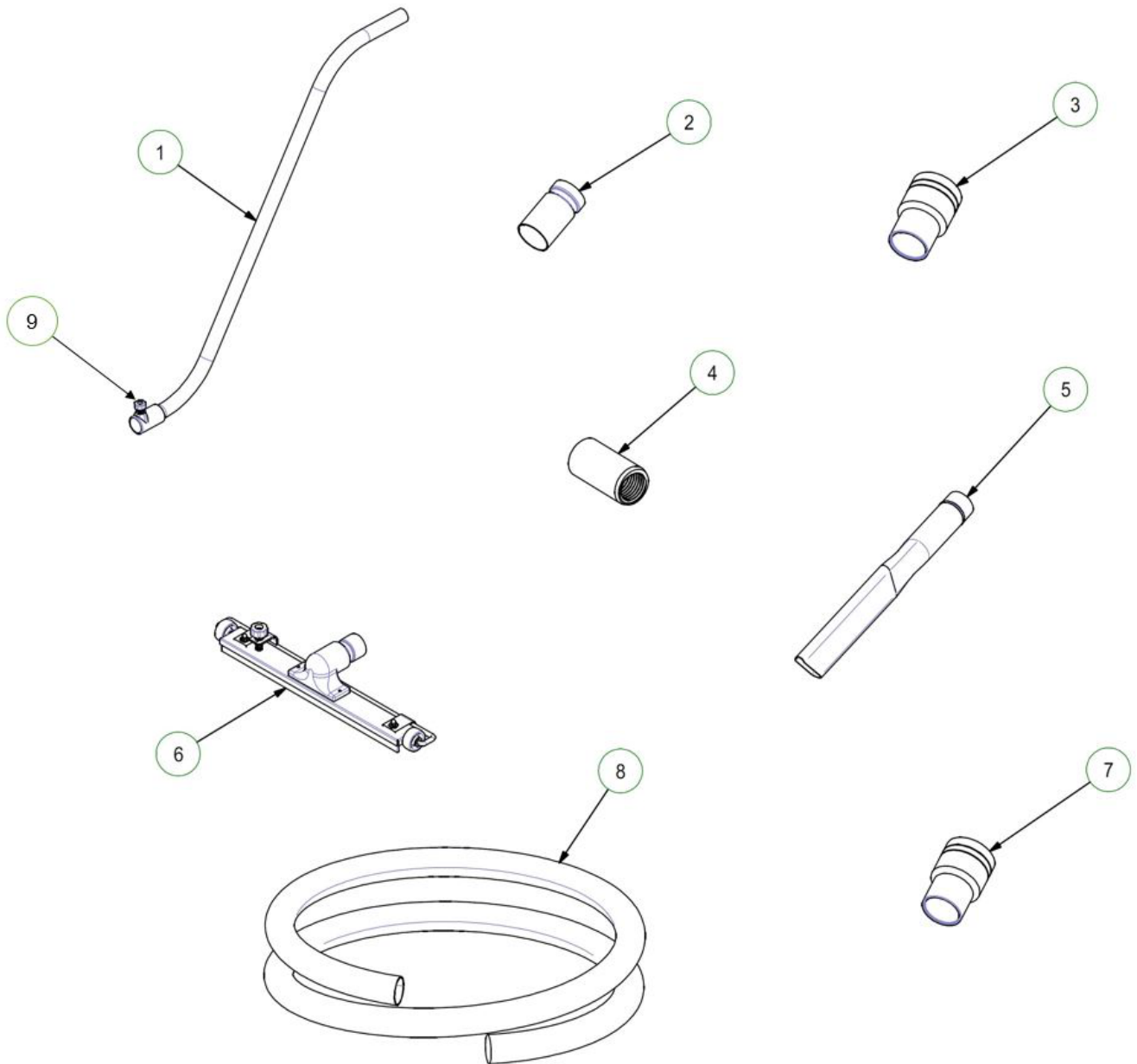
6 Wheels



6 Wheels

Item no.	Article no.	Description	Quantity
6	083033	Wheel Ø150mm for Vacuclean	2
7	019361	Castor with brake Vacuclean/T-Rex	1
8	086210	Adapt Washer Wheel Vacuclean2	2
9	019360	Tilting wheel Vacuclean/T-Rex	1

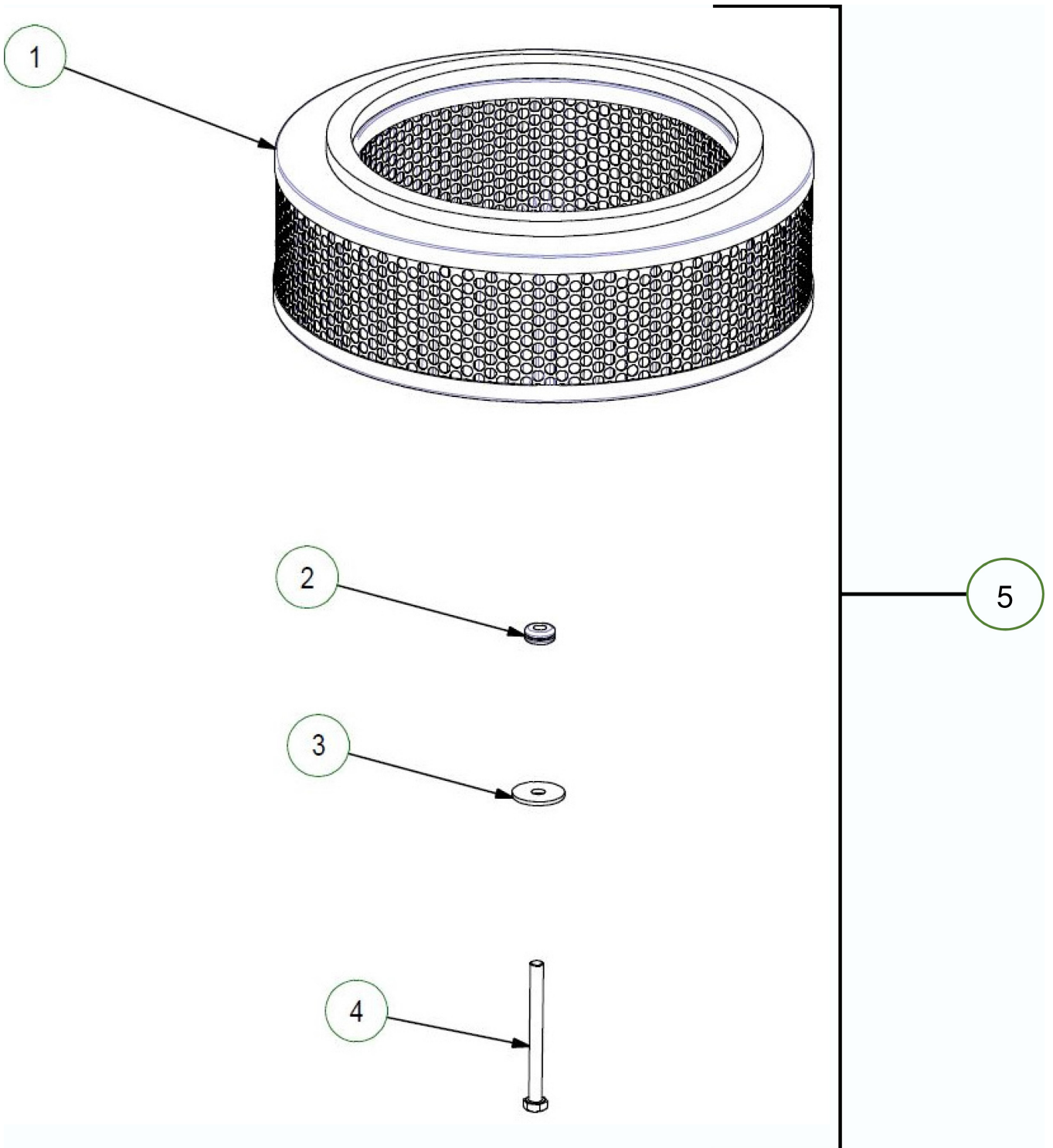
7 Accessories



7 Accessories

Item no.	Article no.	Description	Quantity
1	081620	Suction tube Ø38 Vacuclean2+LP	1
2	081990	Hose connection 50mm Vacuclean2+LP	1
3	013339	End piece, Ø50mm T-Rex	1
4	013338	Hose connector, Ø50mm T-Rex	1
5	083178	Flat nozzle Vacuclean2+LP	1
6	081618	Floor nozzle steel Ø38 Vacu. 2+LP 430mm	1
7	081626	Reducer 50/38mm f.Vacuclean2+LP	1
8	081617	Hose PU antistatisch 50mm / 5m	1
8	013337	Suction hose Ø50mm length 5m	1
9	084156	Lock button suction tube/Frame	1

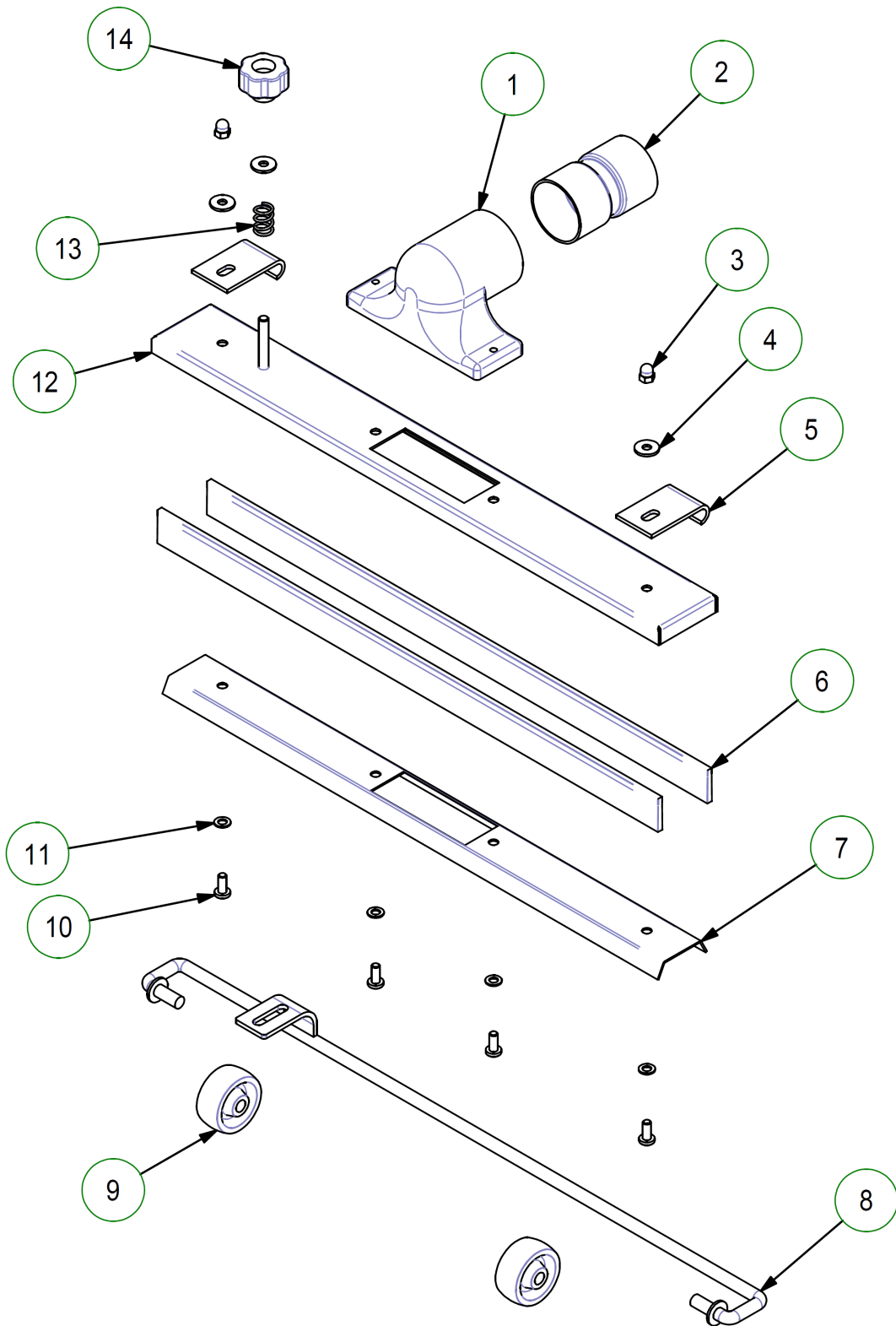
8 Hepa Filter



8 Hepa Filter

Item no.	Article no.	Description	Quantity
1	084303	Filter H14/HEPA Vacuclean 1/2/2LP	1
2	084634	Rubber enforcement Vacuclean	1
3	084635	Washer H Filter Vacuclean	1
4	082985	Screw 8X90 for HEPA Filter	1
5	084681	Filter H14/HEPA Kit for Vacuclean 1/2/LP	1

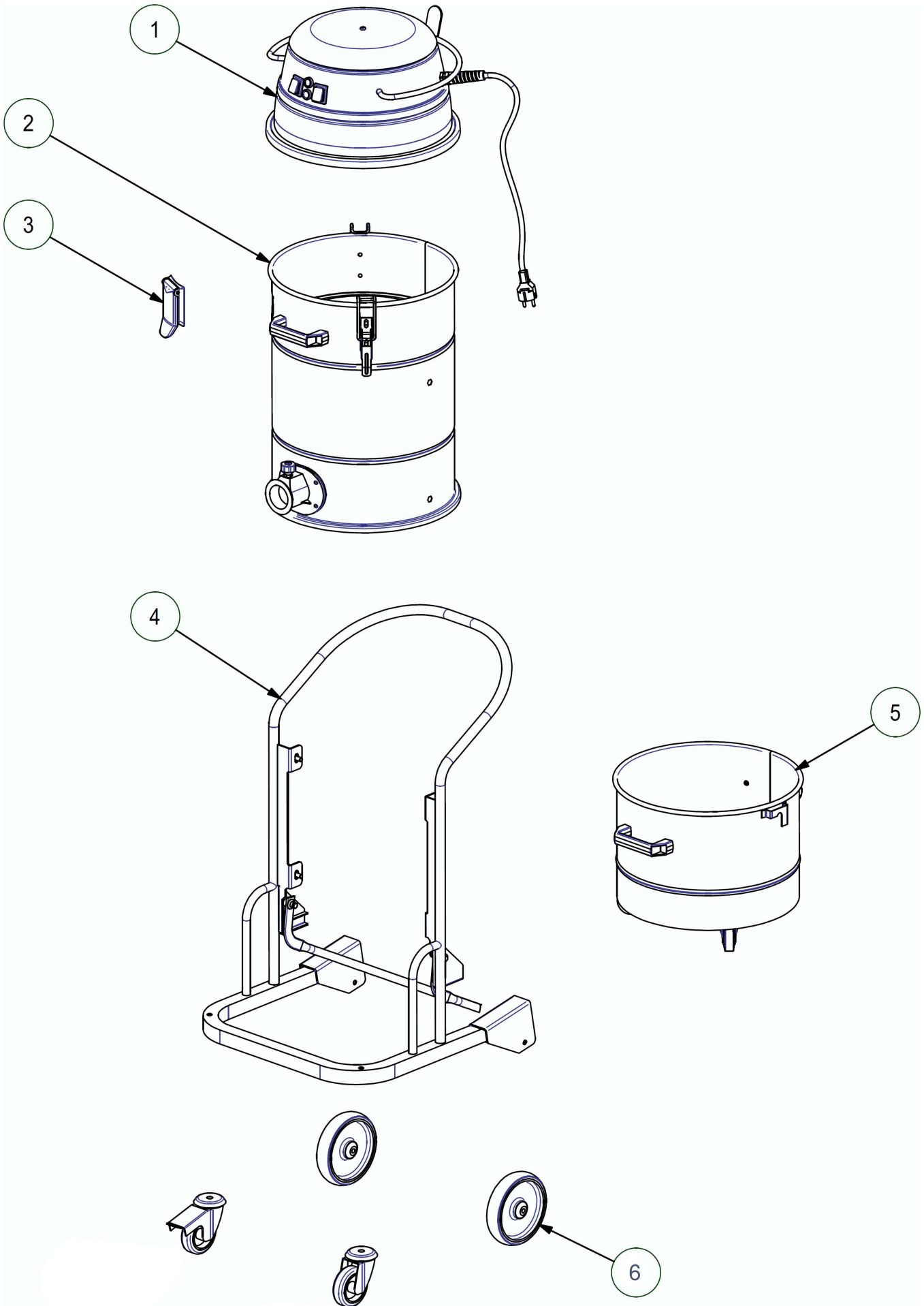
9 Floor nozzle steel Ø38 Vacuclean2+LP



9 Floor nozzle steel Ø38 Vacuclean2+LP

Item no.	Article no.	Description	Quantity
1		Cast aluminium holder	1
2		Plug-in piece	1
3		Nut	1
4		Washer	1
5		Holding Plate	1
6	050286	Spare brush for floor nozzle 430mm	1
6	083872	Suction lips for Floor nozzle V2+LP 430m	1
7	085474	Bar for roller nozzle bottom	1
8		Wheel Axle	1
9	056027	Wheel black 40mm	1
10	018714	Lens head screw M5x12 DIN 7985	1
11	017780	Washer M5 DIN 125 A	1
12		Bar for roller nozzle on top	1
13		Spring	1
14	164631	Knurled nut floor nozzle Vac. + T-Rex	1

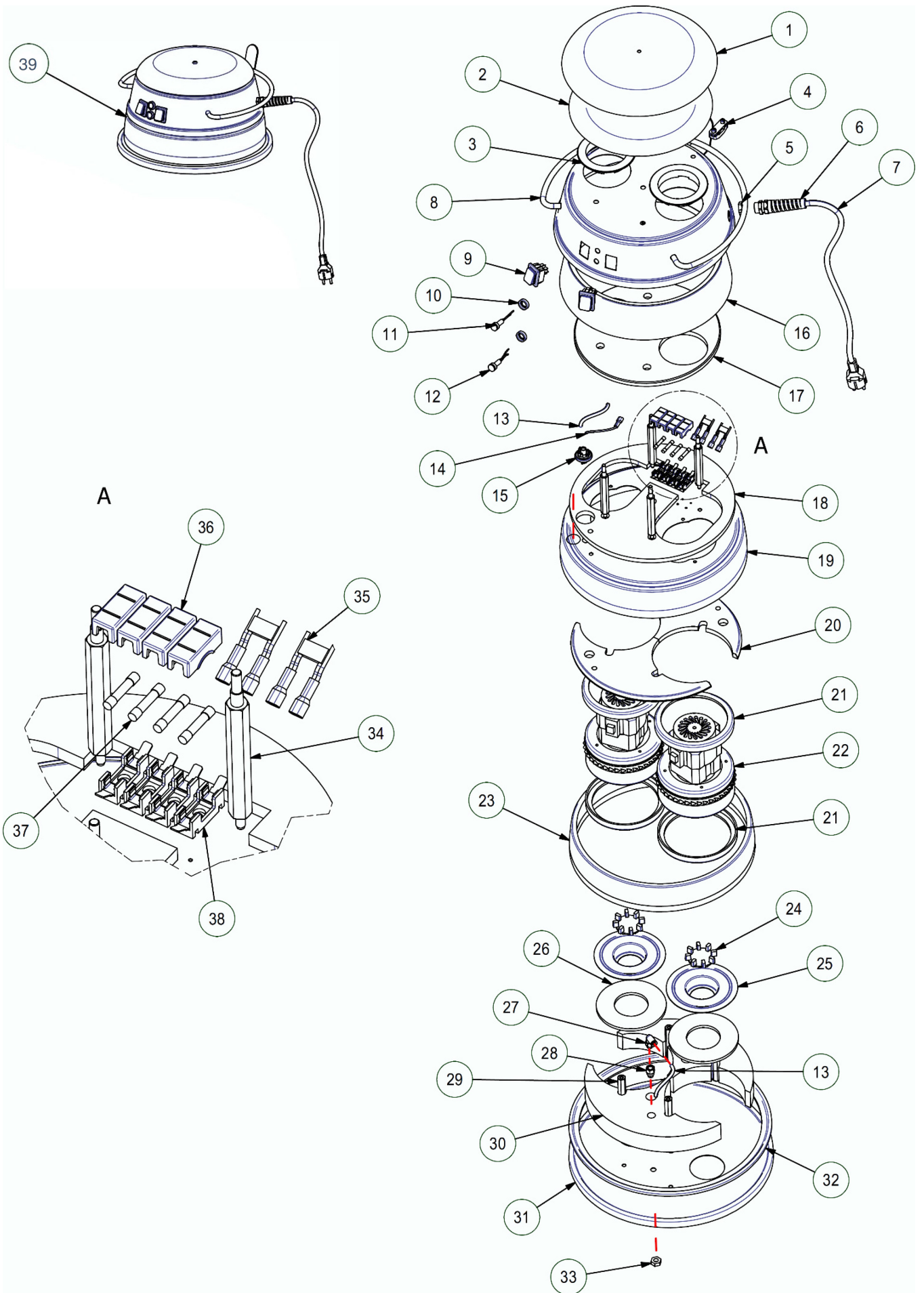
Vacuclean2 230V EU (Jan. 19)



Vacuclean2 230V EU (Jan. 19)

Item no.	Article no.	Description
1	02_02_081148	Motor Head Kit
2	01_02_081148	Housing Kit
3	01_03_081148	Flap
4	01_04_081148	Chassis Kit
5	01_05_081148	Container Kit
6	01_06_081148	Wheels
7	01_10_081706	Accessories
8	01_02_081153	Hepa Filter
9	01_11_081618	Floor nozzle steel Ø38 Vacuclean2+LP

1 Motor Head Kit



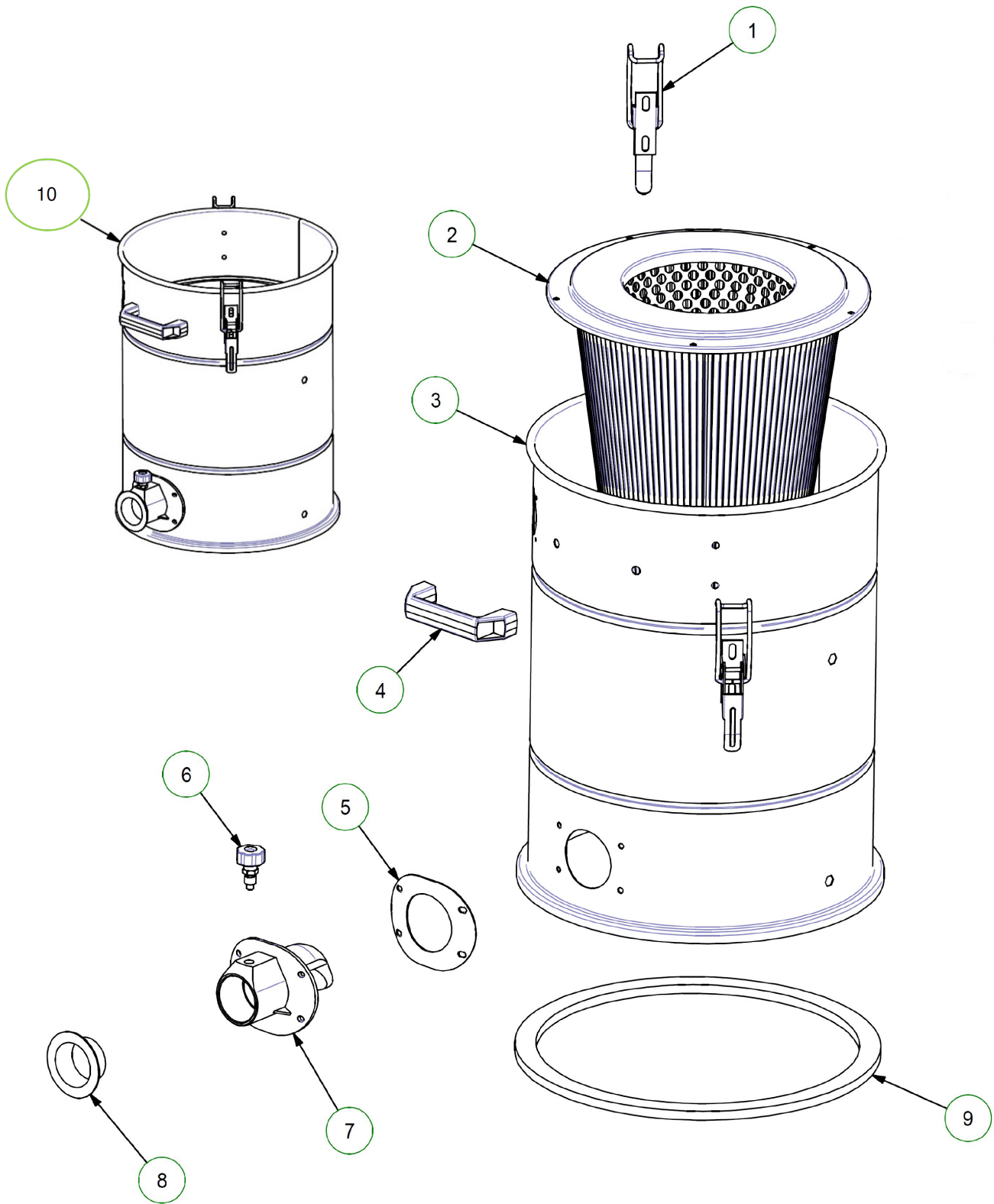
1 Motor Head Kit

Item no.	Article no.	Description	Quantity
1		Covering head Vacuclean/Hepa Vac 2019	1
2	084591	Insulating mat top Vacuclean	1
3	084592	Cooling Ring Vacuclean/T-Rex	2
4	084593	Cabel Fastener Support Vacuclean/T-Rex	1
5	019346	Cable clamb nut PG13,5 black	1
6	019347	Knick protection Vacuclean /T-Rex	1
7	019348	Cable with plug Vacuclean/T-Rex	1
8		Cover top Vacuclean 2019	1
9	060516	Switch red Vacuclean /T-Rex	2
10	084594	Chromed Nut for Light Vacuclean	2
11	042189	Warning light orange Vacuclean/T-Rex	1
12	042186	Green warning light Vacuclean/T-Rex	1
13	086216	PU Hose 4x6 Vacuclean 230V	1
14	084604	Cable air pressure switch Vacuclean	1
15	084607	Pressure switch Vacuclean/T-Rex	1
16	084597	Cover Noise Buffering top Vacuclean	1
17	084598	Insulating mat center Vacuclean	1
18	084608	Insulating mat Motor Vacuclean	1
19	084610	Motor Cover Vacuclean	1
20	084611	Insulating mat below Vacuclean	2
21	019356	Gasket Motor 145x5 Vacuclean/T-Rex	4
22	017287	Motor 230V 50-60Hz Vac/ SEE 177447	2
22	177447	Motor 230V 50-60Hz Vacuclean/T-Rex 2023	2
23	084613	Cover Noise Buffering below Vacu.	1
24	084614	Valve Bottom Plate Vacuclean/T-Rex	2
25	084615	Bottom Plate Motor Vacuclean/T-Rex	2
26	084616	Bottom Plate Gasket Vacuclean/T-Rex	2
27	084619	Rotary joint Vacuclean	1
28	084620	Extension Vacuclean	1
29	084621	Spacer motor outside Vacuclean/T-Rex	4
30	084622	Cover Noise Buffering Plate Vacuclean	2
31	084624	Gasket Base Plate Vacuclean	1
32	084623	Base Plate Vacuclean	1
33	084626	Hexagon nut Vacuclean	1

1 Motor Head Kit

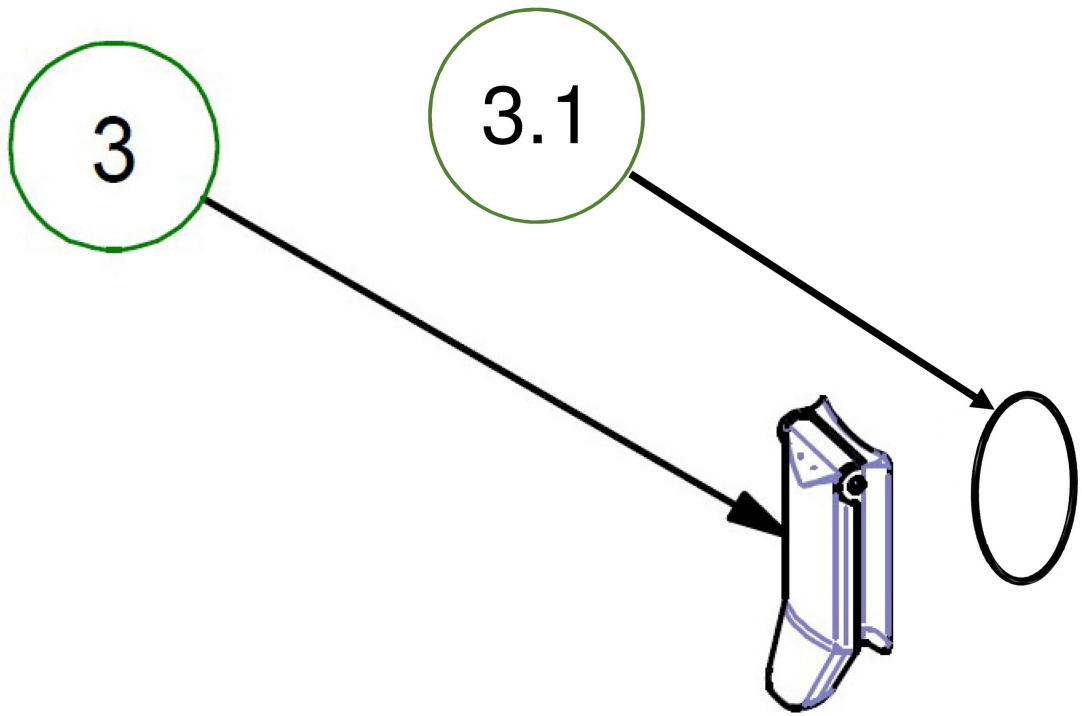
Item no.	Article no.	Description	Quantity
34	084628	Spacer for Cover Vacuclean	4
35	086217	Cable Kit Vacuclean2 230V	1
36	084631	Fusecover Vacuclean/T-Rex	4
37	084692	Fuse 10A 230V Vacuclean/T-Rex	4
38	060517	Fuse holder Vacuclean /T-Rex	4
39		Motor Kit 230V Vacuclean 2+LP 2019	1

2 Housing Kit



2 Housing Kit

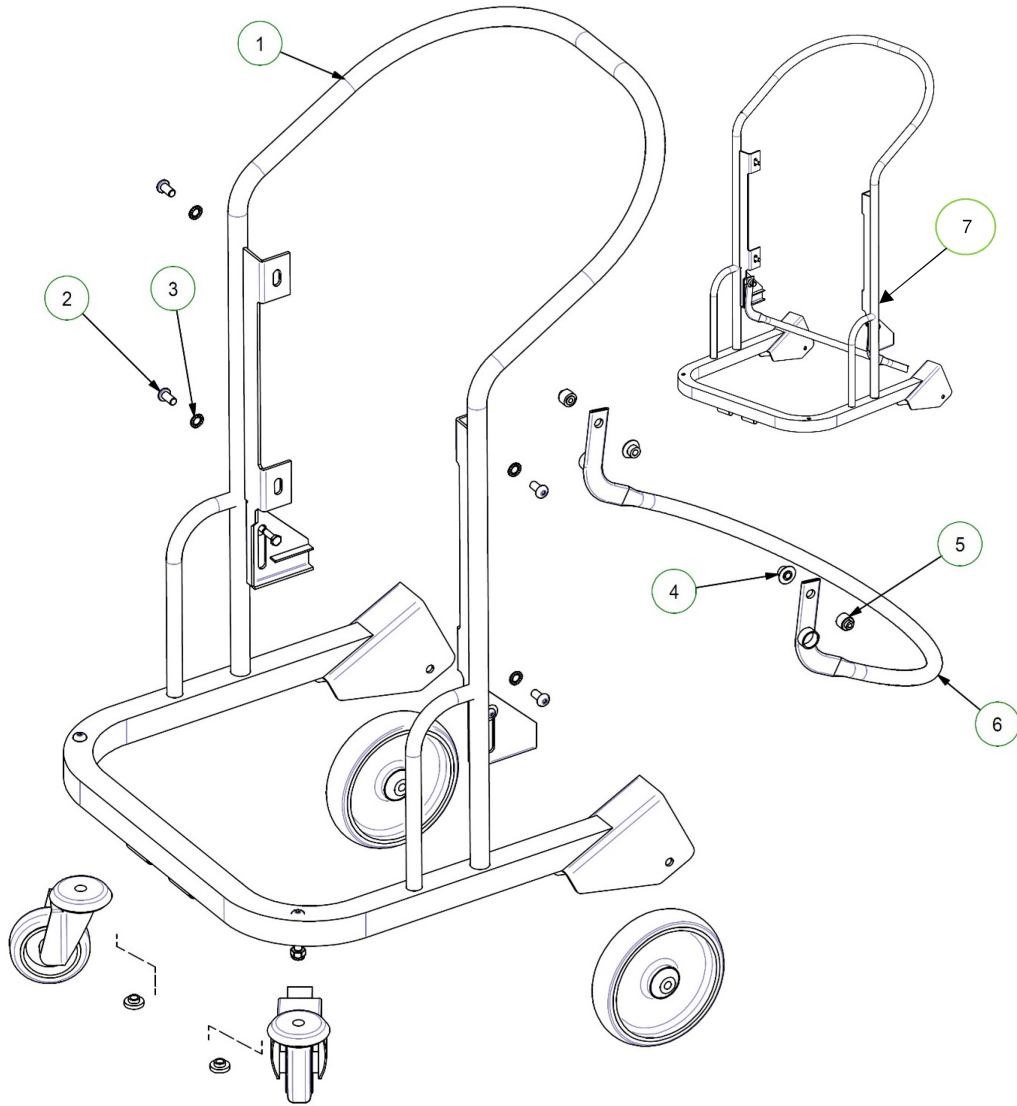
Item no.	Article no.	Description	Quantity
1	019377	Lock Vacuclean / T-Rex	2
2	081613	Filter M/PTFE for Vacuclean2+LP	1
3	086220	Filter Housing Vacuclean 2	1
4	083842	Plastic handgrip Vacuclean	1
5	084612	Gasket Hose Conecter Vacuclean 2	1
6	084156	Lock button suction tube/Frame	1
7	084643	Inlet connection Vacuclean 2LP	1
8	084657	Cover PVC Ø50 Vacuclean 2+2LP	1
9	084696	Adhesive Gasket Vacuclean 1+2	1
10	086207	Housing Kit Vacuclean 2	1



3 Flap

Item no.	Article no.	Description	Quantity
3	084585	Flap Ø50 Vacuclean	1
3.1	088725	O-Ring 55x2,5 - EPDM 70	2

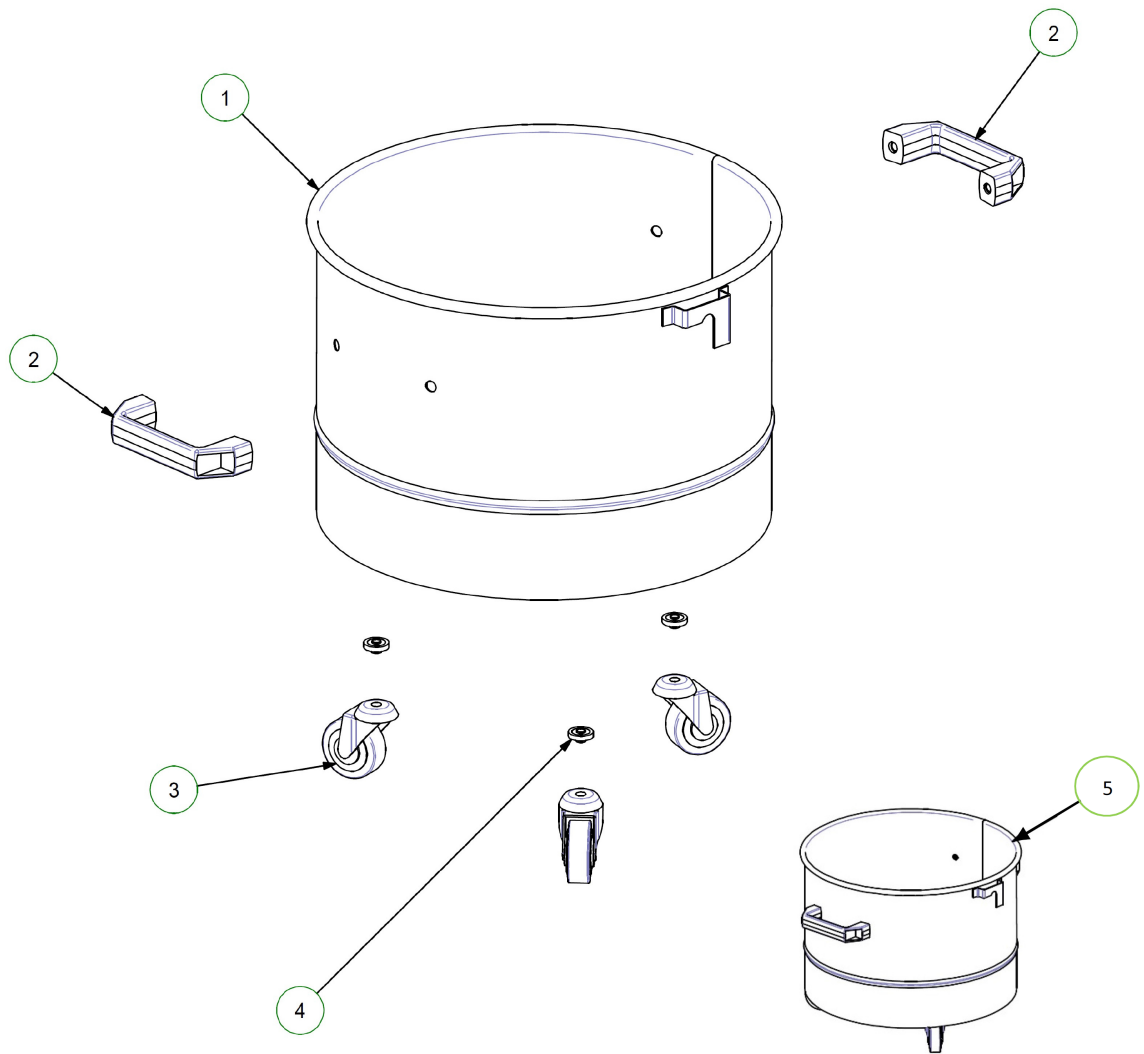
4 Chassis Kit



4 Chassis Kit

Item no.	Article no.	Description	Quantity
1	086219	Frame Vacuclean 2	1
2	083035	Round Head Screw Vacuclean	4
3	084698	Toothed washer Vacuclean	4
4	083508	Bush for Vacuclean2	2
5	078228	Distance Bush Vacuvlean2	2
6	086223	Hand grip Carriage Vacuclean2	1
7	086208	Frame Kit Vacuclean 2	1

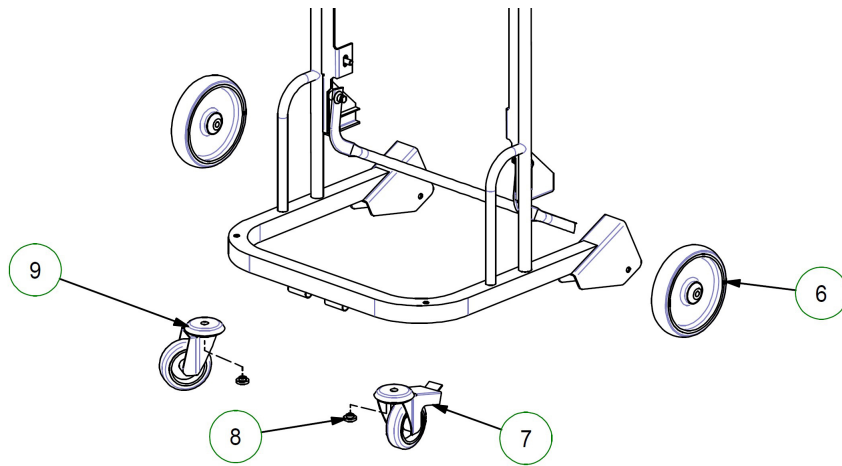
5 Container Kit



5 Container Kit

Item no.	Article no.	Description	Quantity
1	086218	Container Vacuclean2	1
2	083842	Plastic handgrip Vacuclean	2
3	083036	Castor bucket Ø50mm f.Vacuclean	3
4	084746	Adaptor washer for D.50 castor Vac.2	3
5	086209	Container Kit Vacuclean2 230V	1

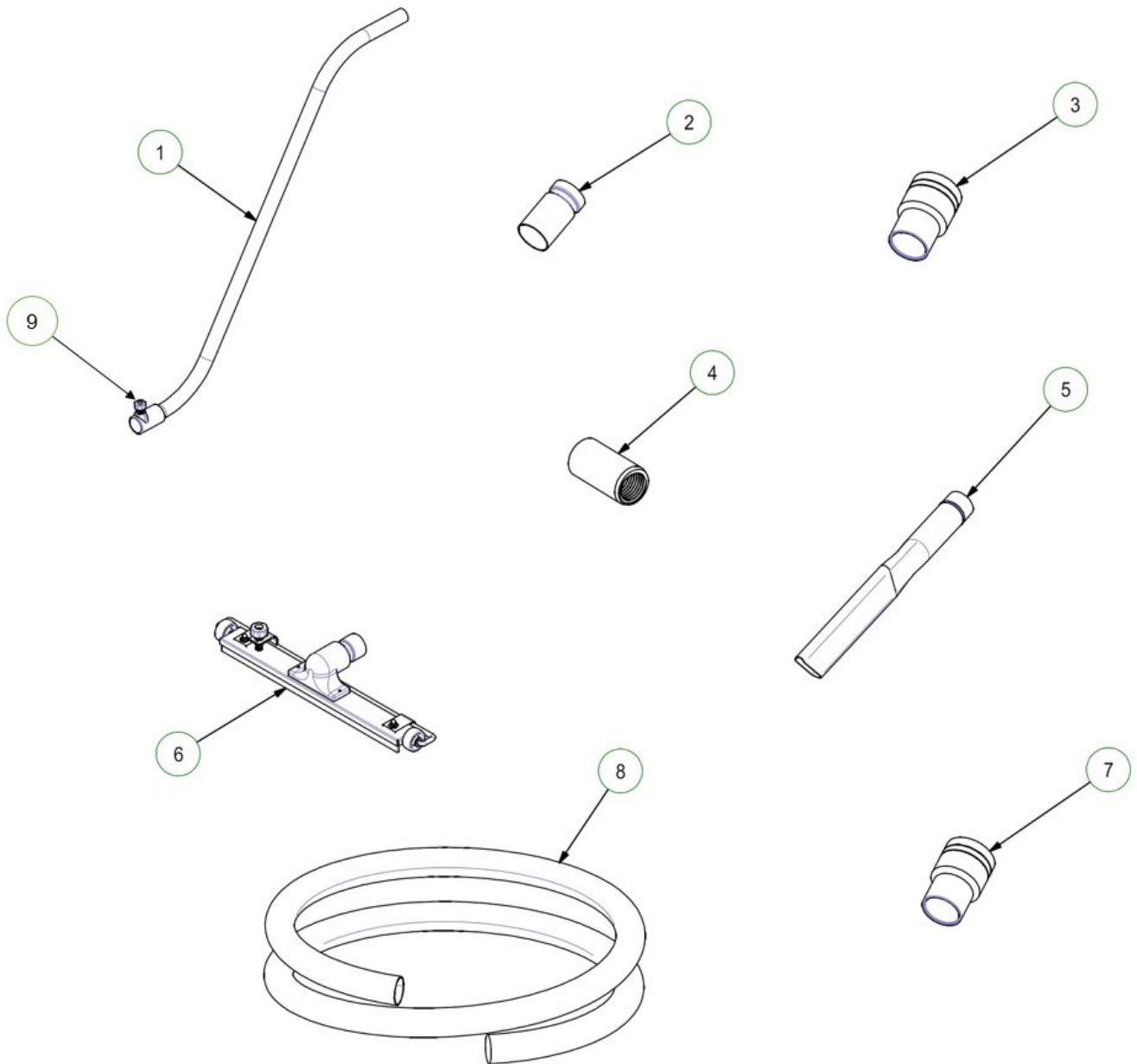
6 Wheels



6 Wheels

Item no.	Article no.	Description	Quantity
6	083033	Wheel Ø150mm for Vacuclean	2
7	019361	Castor with brake Vacuclean/T-Rex	1
8	086210	Adapt Washer Wheel Vacuclean2	2
9	019360	Tilting wheel Vacuclean/T-Rex	1

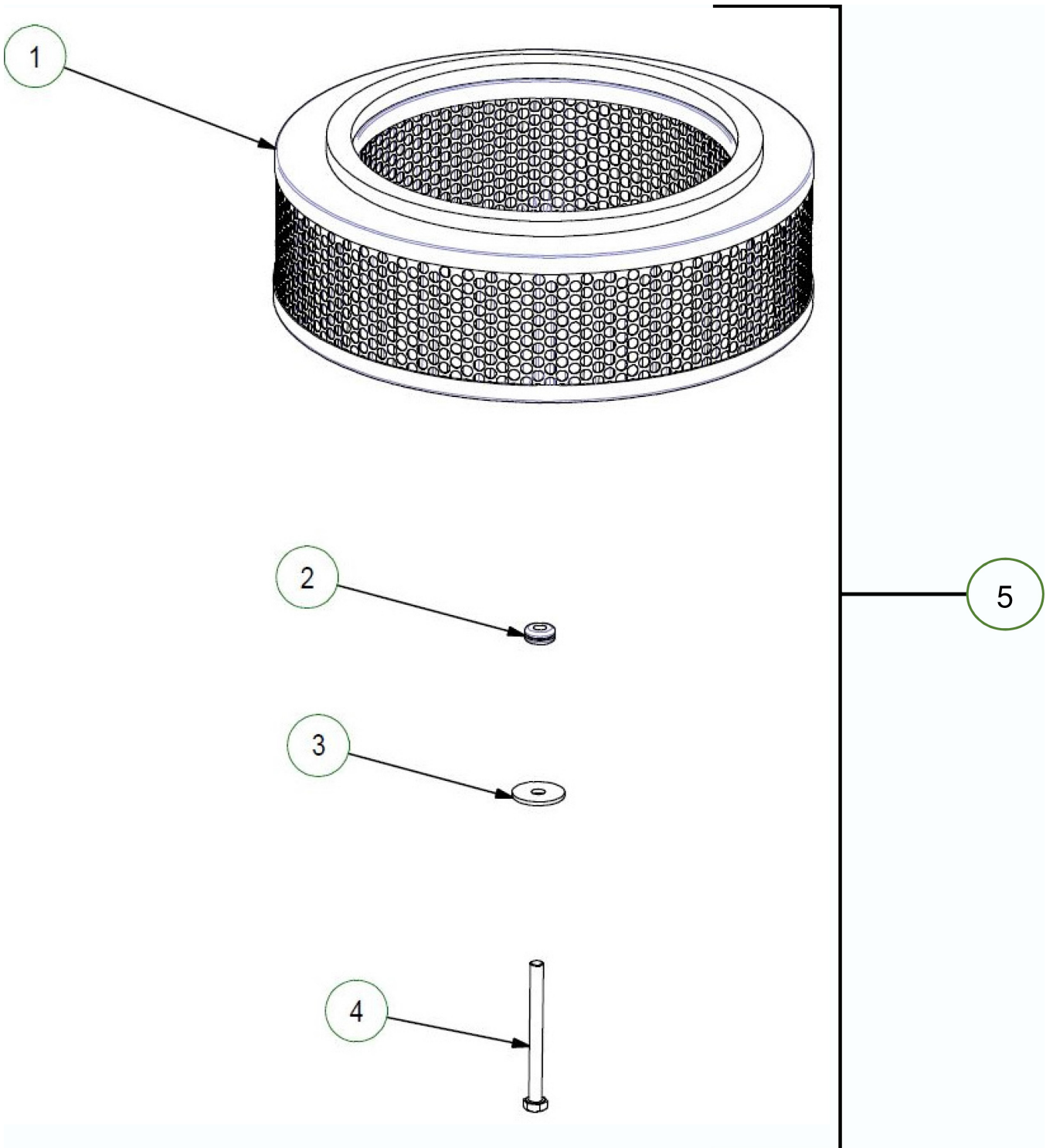
7 Accessories



7 Accessories

Item no.	Article no.	Description	Quantity
1	081620	Suction tube Ø38 Vacuclean2+LP	1
2	081990	Hose connection 50mm Vacuclean2+LP	1
3	013339	End piece, Ø50mm T-Rex	1
4	013338	Hose connector, Ø50mm T-Rex	1
5	083178	Flat nozzle Vacuclean2+LP	1
6	081618	Floor nozzle steel Ø38 Vacu. 2+LP 430mm	1
7	081626	Reducer 50/38mm f.Vacuclean2+LP	1
8	081617	Hose PU antistatisch 50mm / 5m	1
8	013337	Suction hose Ø50mm length 5m	1
9	084156	Lock button suction tube/Frame	1

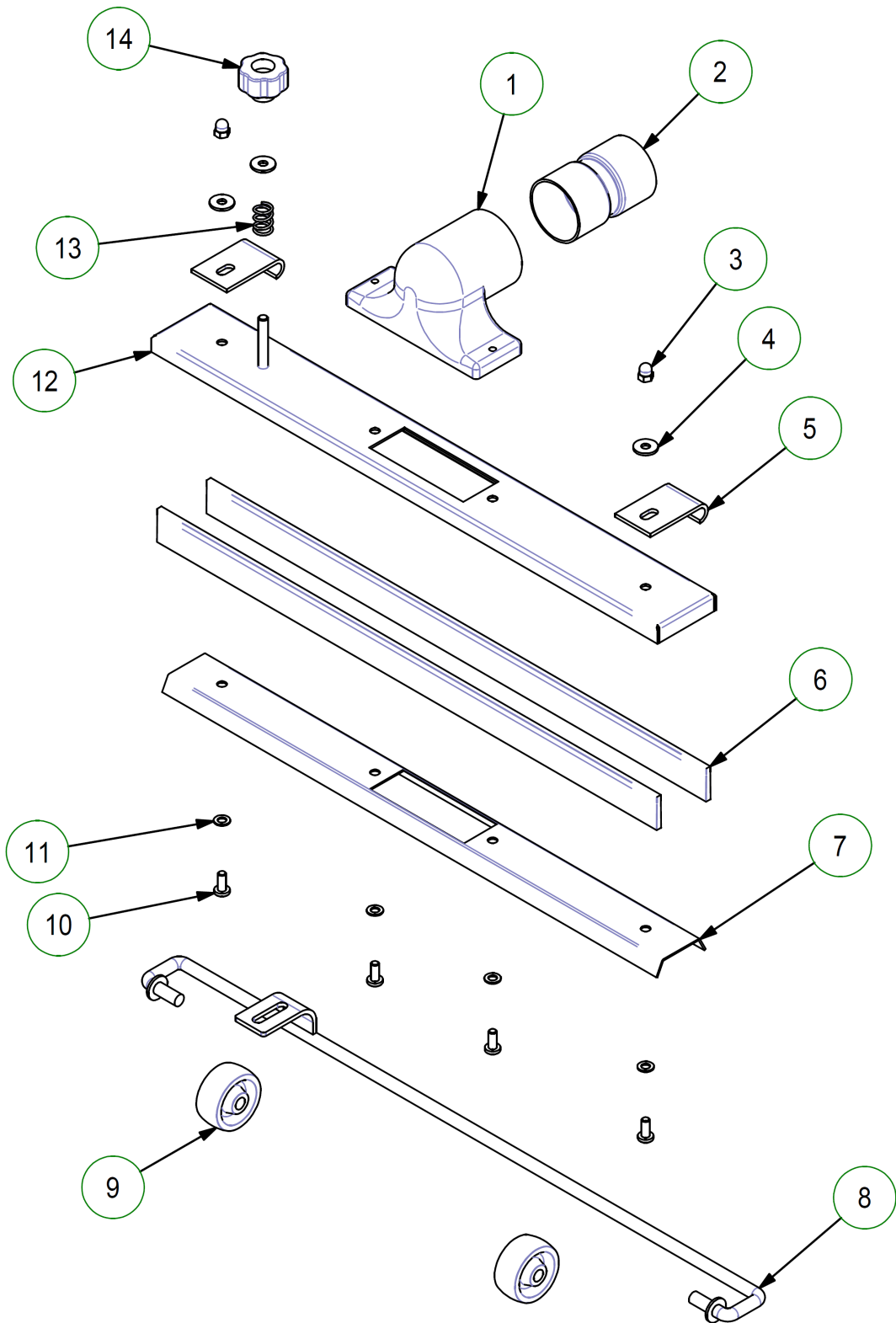
8 Hepa Filter



8 Hepa Filter

Item no.	Article no.	Description	Quantity
1	084303	Filter H14/HEPA Vacuclean 1/2/2LP	1
2	084634	Rubber enforcement Vacuclean	1
3	084635	Washer H Filter Vacuclean	1
4	082985	Screw 8X90 for HEPA Filter	1
5	084681	Filter H14/HEPA Kit for Vacuclean 1/2/LP	1

9 Floor nozzle steel Ø38 Vacuclean2+LP



9 Floor nozzle steel Ø38 Vacuclean2+LP

Item no.	Article no.	Description	Quantity
1		Cast aluminium holder	1
2		Plug-in piece	1
3		Nut	1
4		Washer	1
5		Holding Plate	1
6	050286	Spare brush for floor nozzle 430mm	1
6	083872	Suction lips for Floor nozzle V2+LP 430m	1
7	085474	Bar for roller nozzle bottom	1
8		Wheel Axle	1
9	056027	Wheel black 40mm	1
10	018714	Lens head screw M5x12 DIN 7985	1
11	017780	Washer M5 DIN 125 A	1
12		Bar for roller nozzle on top	1
13		Spring	1
14	164631	Knurled nut floor nozzle Vac. + T-Rex	1