



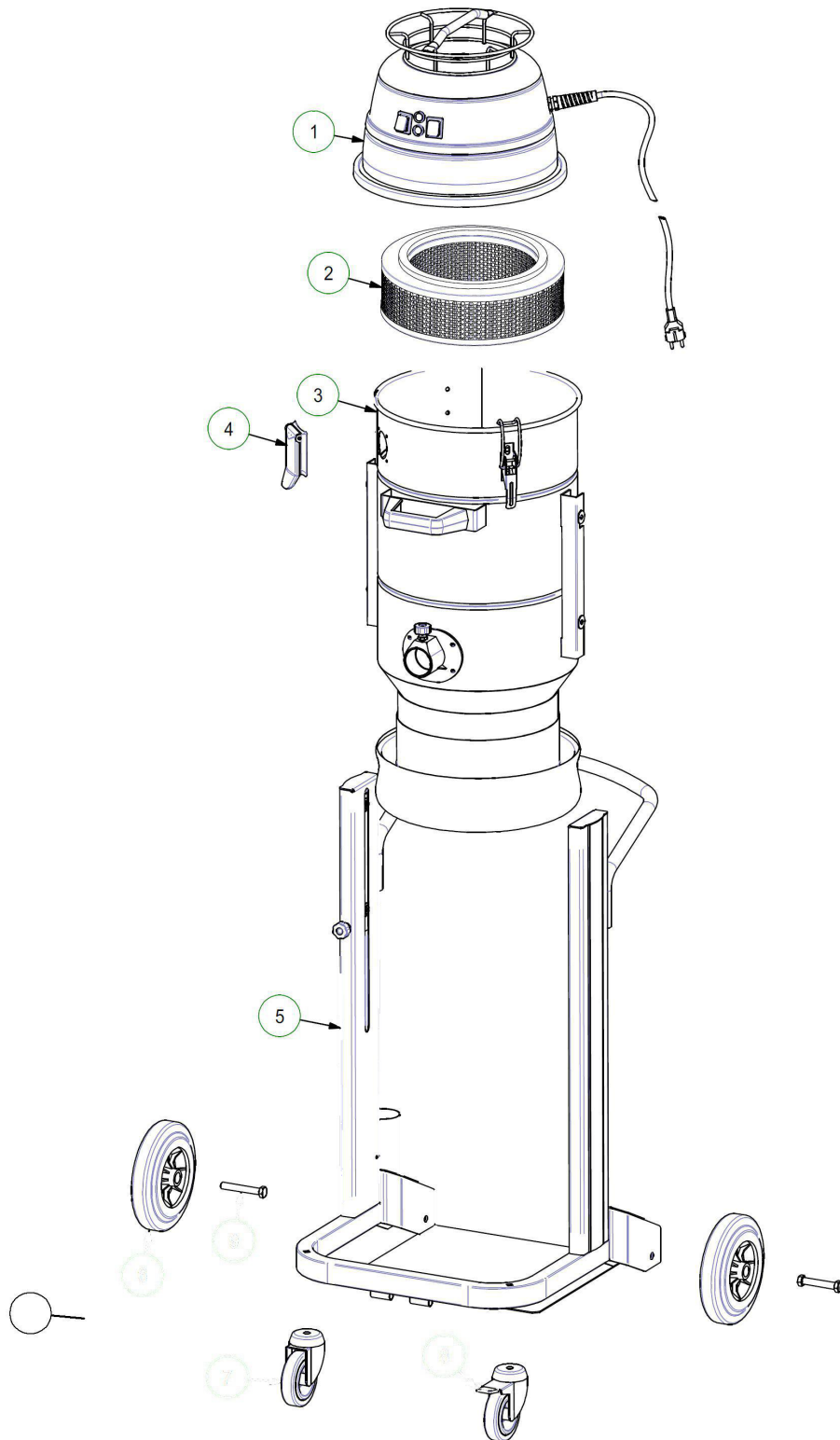
spare parts list Vacuclean2LP 230V EU



Table of contents

1 Vacuclean 2 LP 230V EU (Jan 17)	3
1 Motor Kit 230V	5
2 Hepa Filter H	8
3 Housing Kit	10
4 Flap	12
5 Chassis Kit	14
6 Wheels	16
7 Accessories	18
8 Floor nozzle steel Ø38 Vacuclean2+LP	20
1 Vacuclean 2 LP 230V EU (Jan 19)	22
1 Motor Kit 230V	24
2 Hepa Filter H	27
3 Housing Kit	29
4 Flap	31
5 Chassis Kit	33
6 Wheels	35
7 Accessories	37
8 Floor nozzle steel Ø38 Vacuclean2+LP	39

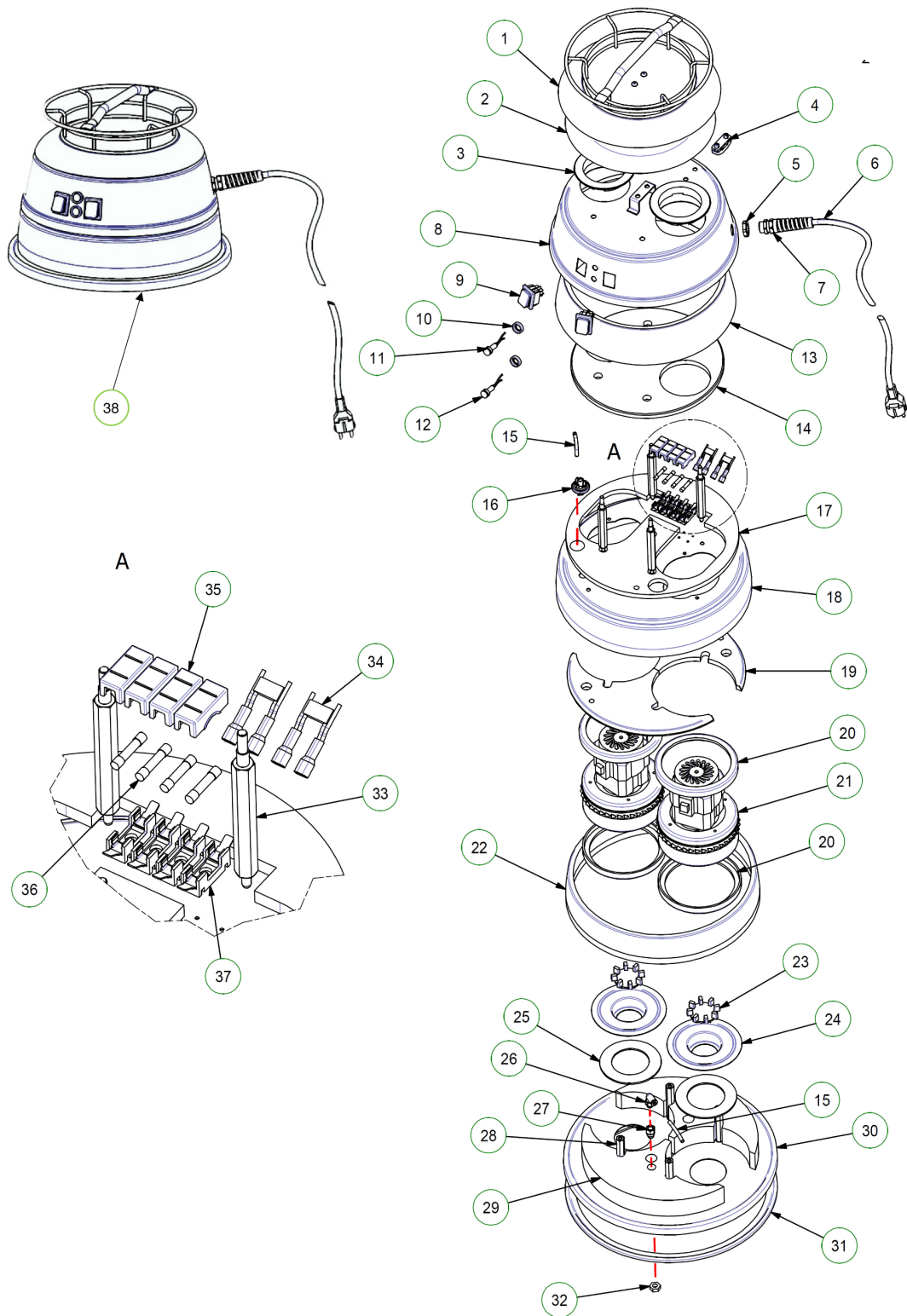
1 Vacuclean 2 LP 230V EU (Jan 17)



1 Vacuclean 2 LP 230V EU (Jan 17)

Item no.	Article no.	Description
1	01_01_081149	Motor Kit 230V
2	01_02_081153	Hepa Filter H
3	01_03_081706	Housing Kit
4	01_03_081148	Flap
5	01_05_081706	Chassis Kit
6	01_06_081706_0 1	Wheels
7	01_10_081706	Accessories
8	01_11_081618	Floor nozzle steel Ø38 Vacuclean2+LP

1 Motor Kit 230V



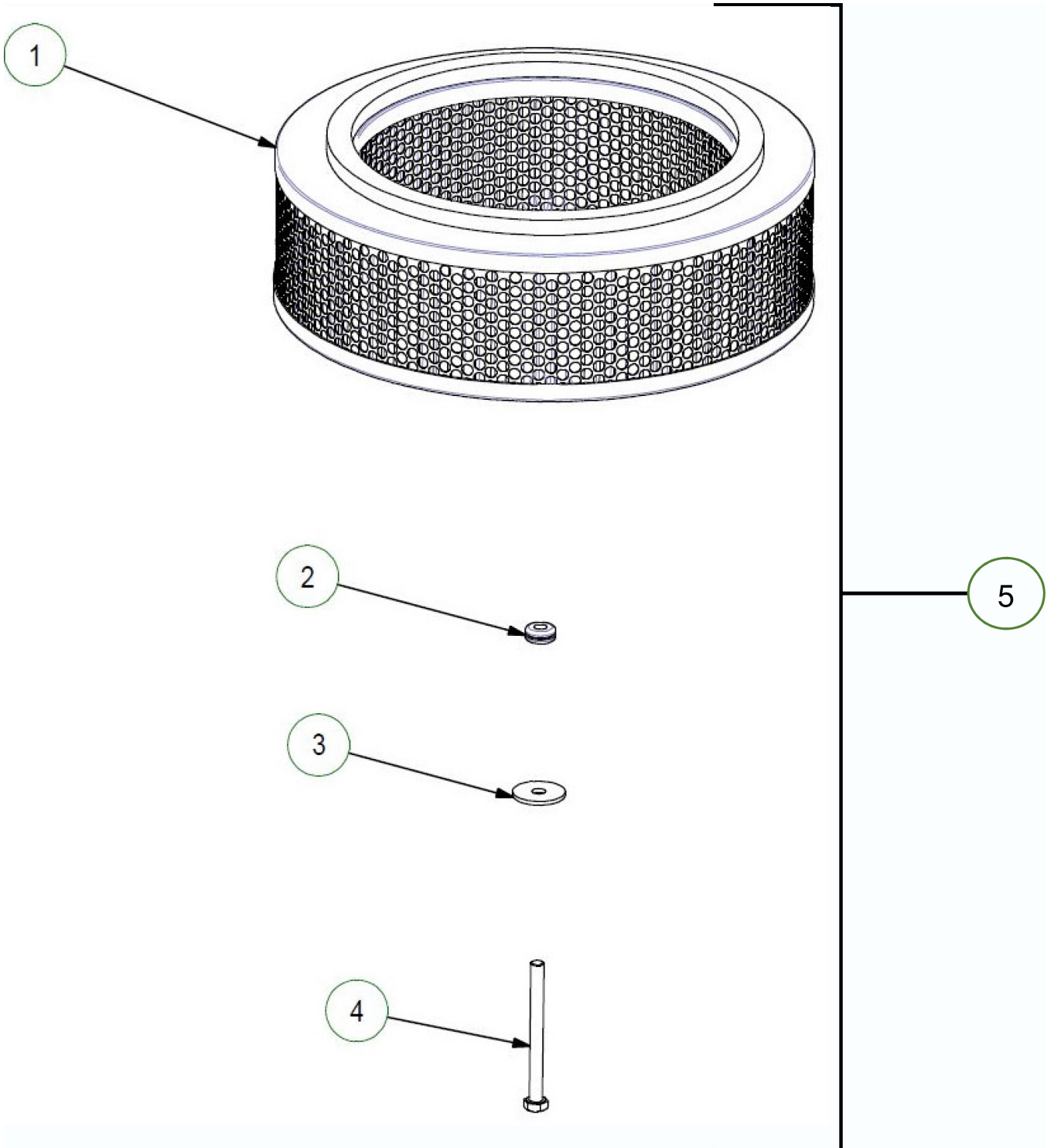
1 Motor Kit 230V

Item no.	Article no.	Description	Quantity
1	084590	Cover with Cable holder Vacu/Hepa	1
2	084591	Insulating mat top Vacuclean	1
3	084592	Cooling Ring Vacuclean/T-Rex	2
4	084593	Cabel Fastener Support Vacuclean/T-Rex	1
5	019346	Cable clamb nut PG13,5 black	1
6	019348	Cable with plug Vacuclean/T-Rex	1
7	019347	Knick protection Vacuclean /T-Rex	1
8	086215	Cover Vacuclean2 230V	1
9	060516	Switch red Vacuclean /T-Rex	2
10	084594	Chromed Nut for Light Vacuclean	2
11	042189	Warning light orange Vacuclean/T-Rex	1
12	042186	Green warning light Vacuclean/T-Rex	1
13	084597	Cover Noise Buffering top Vacuclean	1
14	084598	Insulating mat center Vacuclean	1
15	086216	PU Hose 4x6 Vacuclean 230V	1
16	084607	Pressure switch Vacuclean/T-Rex	1
17	084608	Insulating mat Motor Vacuclean	1
18	084610	Motor Cover Vacuclean	1
19	084611	Insulating mat below Vacuclean	2
20	019356	Gasket Motor 145x5 Vacuclean/T-Rex	4
21	017287	Motor 230V 50-60Hz Vac/ SEE 177447	2
21	177447	Motor 230V 50-60Hz Vacuclean/T-Rex 2023	2
22	084613	Cover Noise Buffering below Vacu.	1
23	084614	Valve Bottom Plate Vacuclean/T-Rex	2
24	084615	Bottom Plate Motor Vacuclean/T-Rex	2
25	084616	Bottom Plate Gasket Vacuclean/T-Rex	2
26	084619	Rotary joint Vacuclean	1
27	084620	Extension Vacuclean	1
28	084621	Spacer motor outside Vacuclean/T-Rex	4
29	084622	Cover Noise Buffering Plate Vacuclean	2
30	084623	Base Plate Vacuclean	1
31	084624	Gasket Base Plate Vacuclean	1
32	084626	Hexagon nut Vacuclean	1
33	084628	Spacer for Cover Vacuclean	2

1 Motor Kit 230V

Item no.	Article no.	Description	Quantity
34	086217	Cable Kit Vacuclean2 230V	2
35	084631	Fusecover Vacuclean/T-Rex	4
36	084692	Fuse 10A 230V Vacuclean/T-Rex	4
37	060517	Fuse holder Vacuclean /T-Rex	4
38	086059	Motor Kit 230V Vacuclean2/+LP	1

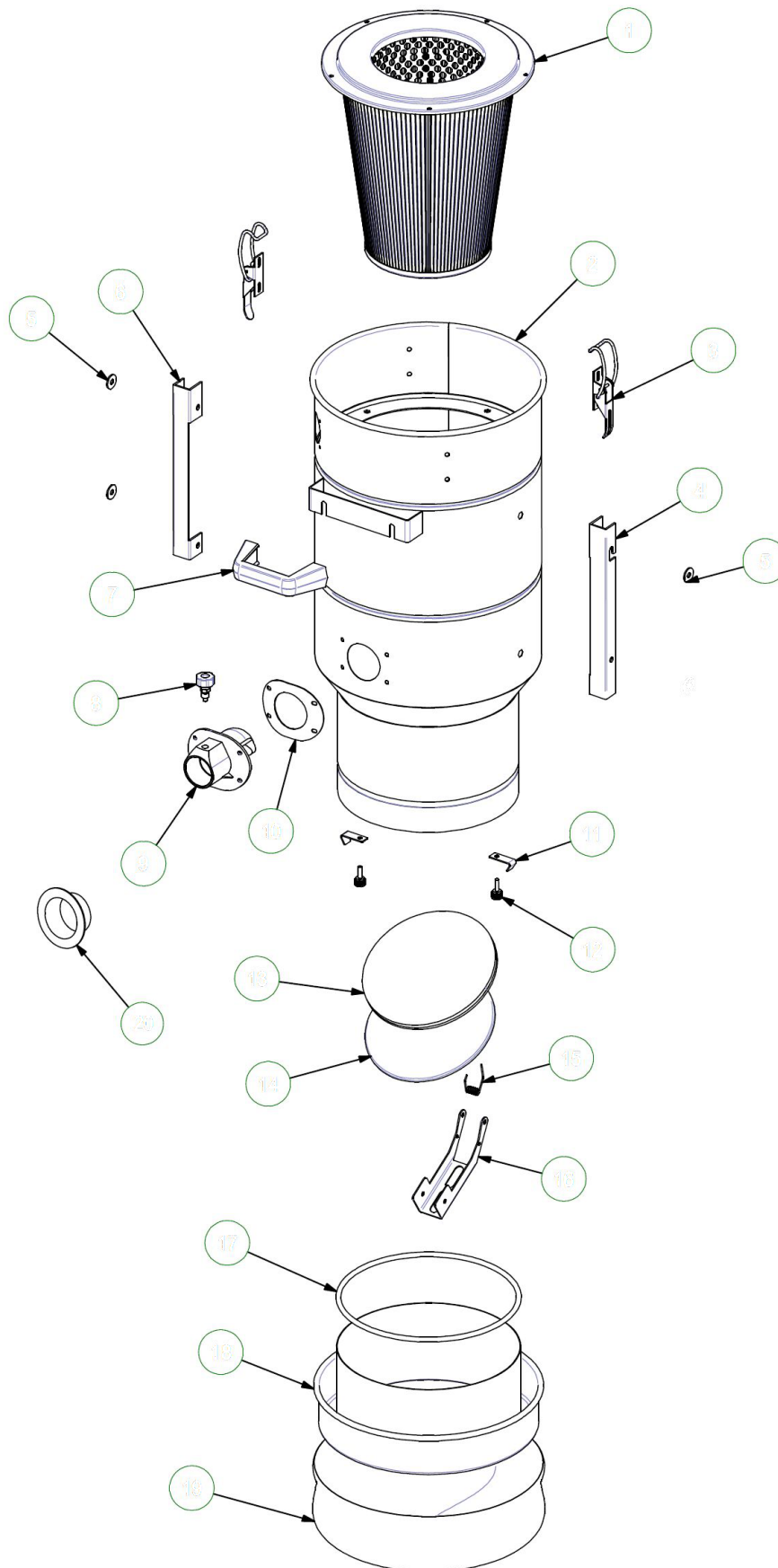
2 Hepa Filter H



2 Hepa Filter H

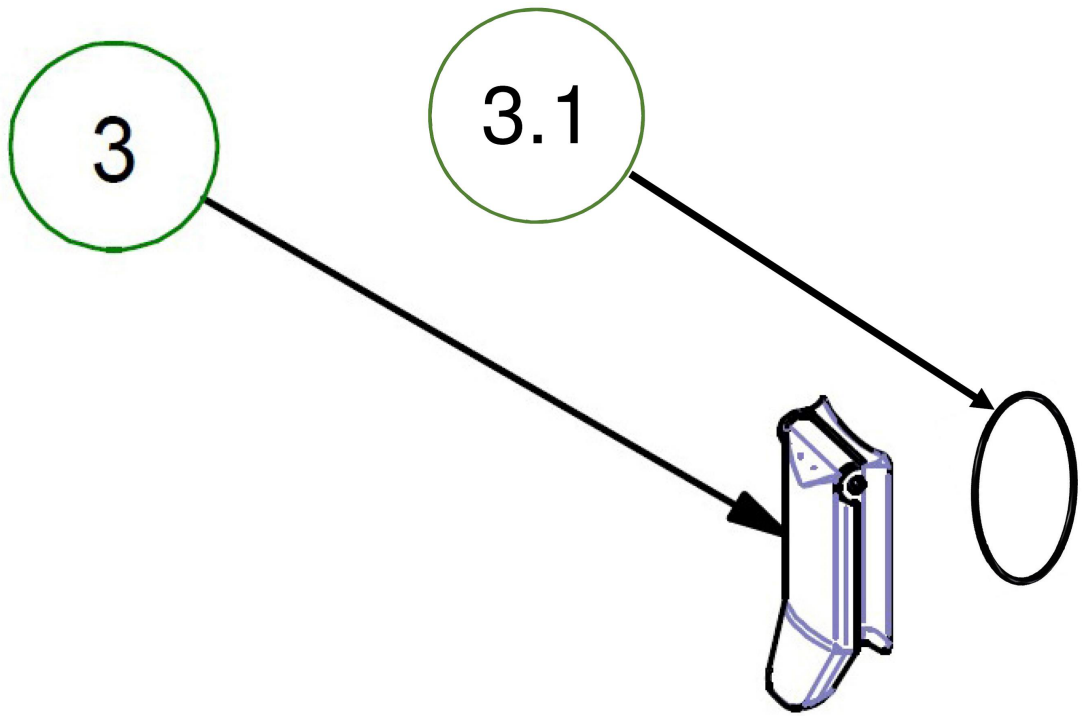
Item no.	Article no.	Description	Quantity
1	084303	Filter H14/HEPA Vacuclean 1/2/2LP	1
2	084634	Rubber enforcement Vacuclean	1
3	084635	Washer H Filter Vacuclean	1
4	082985	Screw 8X90 for HEPA Filter	1
5	084681	Filter H14/HEPA Kit for Vacuclean 1/2/LP	1

3 Housing Kit



3 Housing Kit

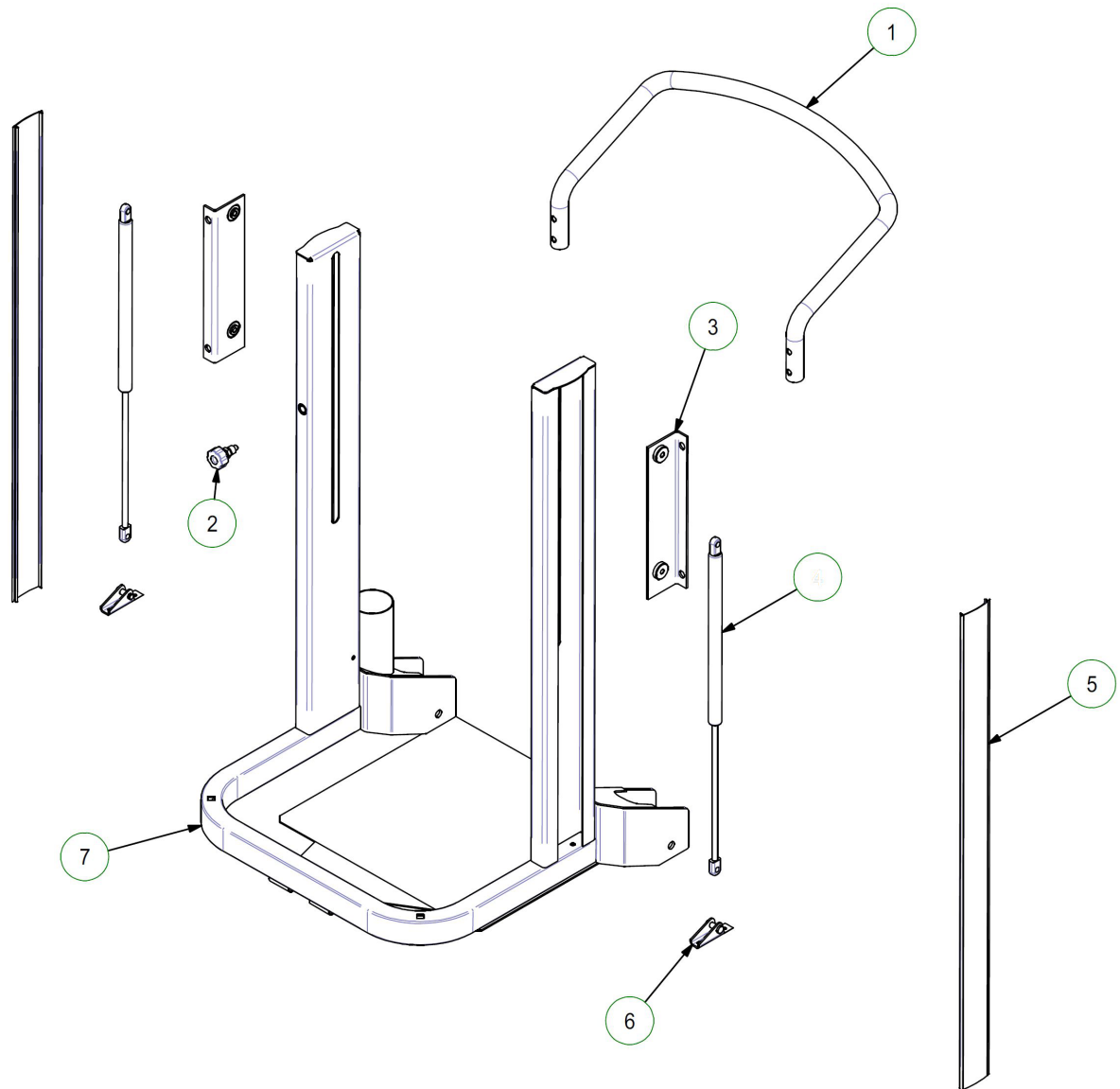
Item no.	Article no.	Description	Quantity
1	081613	Filter M/PTFE for Vacuclean2+LP	1
1	081615	Filter PTFE f.Vacuclean2+LP SEE 81613	1
2	084637	Housing Kit Ø360 Vacuclean 2LP	1
3	019377	Lock Vacuclean / T-Rex	2
4	084639	Chamber Profile left Vacuclean 2LP	1
5	084642	Nylon Washer Vacuclean 2LP	4
6	084641	Chamber Profile right Vacuclean 2LP	1
7	019378	Handle 140mm Vacuclean /T-Rex	1
8	084156	Lock button suction tube/Frame	1
9	084643	Inlet connection Vacuclean 2LP	1
10	084647	Sealing EPDM Vacuclean 2LP	1
11	084648	Hook for Longopac Vacuclean 2LP	2
12	084649	Knurled bolt M6x20 Vacuclean 2LP	2
13	084651	Flap Gasket Ø222 Vacuclean 2LP	1
14	084652	Flap / Filter cleaning Vacuclean 2LP	1
15	084653	Spring for Flap Vacuclean 2LP	1
16	084654	Flap Arm Vacuclean 2LP	1
17	084655	Frame for Longopac Vacuclean 2LP	1
18	084656	Container for Bag Vacuclean 2LP	1
19	081629	Dust bag endless 4x22m for LP Vacuum	1
20	084657	Cover PVC Ø50 Vacuclean 2+2LP	1



4 Flap

Item no.	Article no.	Description	Quantity
3	084585	Flap Ø50 Vacuclean	1
3.1	088725	O-Ring 55x2,5 - EPDM 70	2

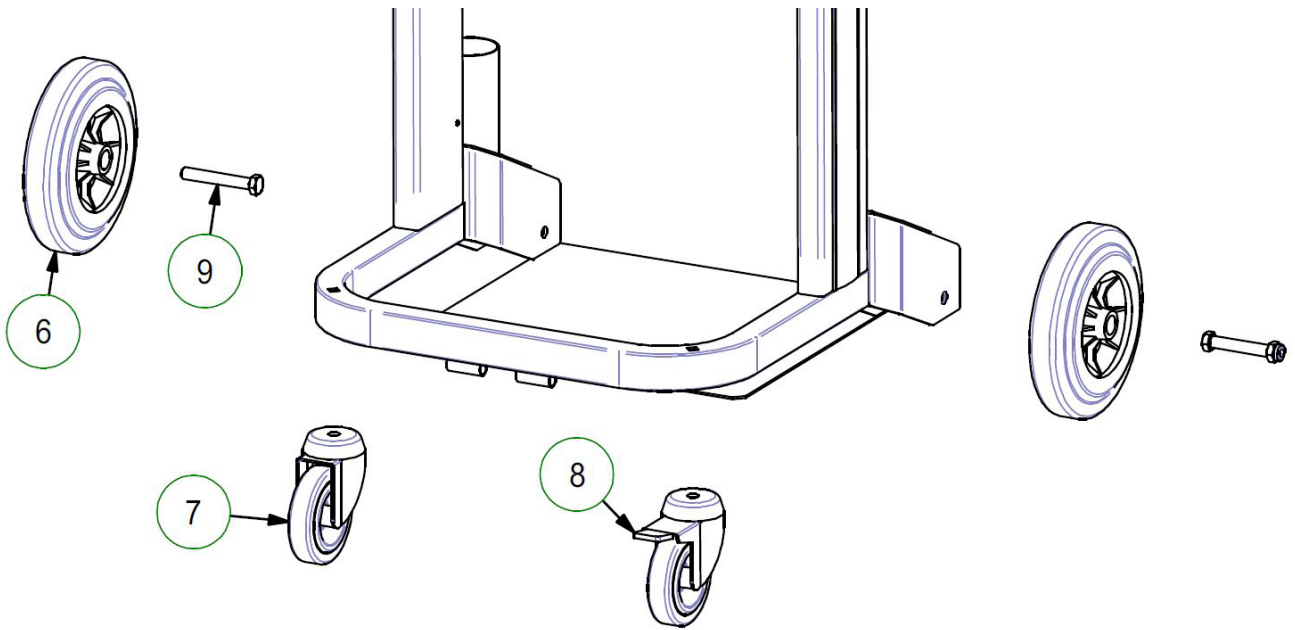
5 Chassis Kit



5 Chassis Kit

Item no.	Article no.	Description	Quantity
1	084658	Hand grip Carriage Vacuclean 2LP	1
2	084156	Lock button suction tube/Frame	1
3	084660	Bracket for Sliding Vacuclean 2LP	2
4	084661	Gas pressure dampers Vacuclean 2LP	2
5	084663	Side Panels Vacuclean 2LP	2
6	084664	Bracket for gas dampers Vacuclean 2LP	2
7	084665	Chassis frame Vacuclean 2LP	1

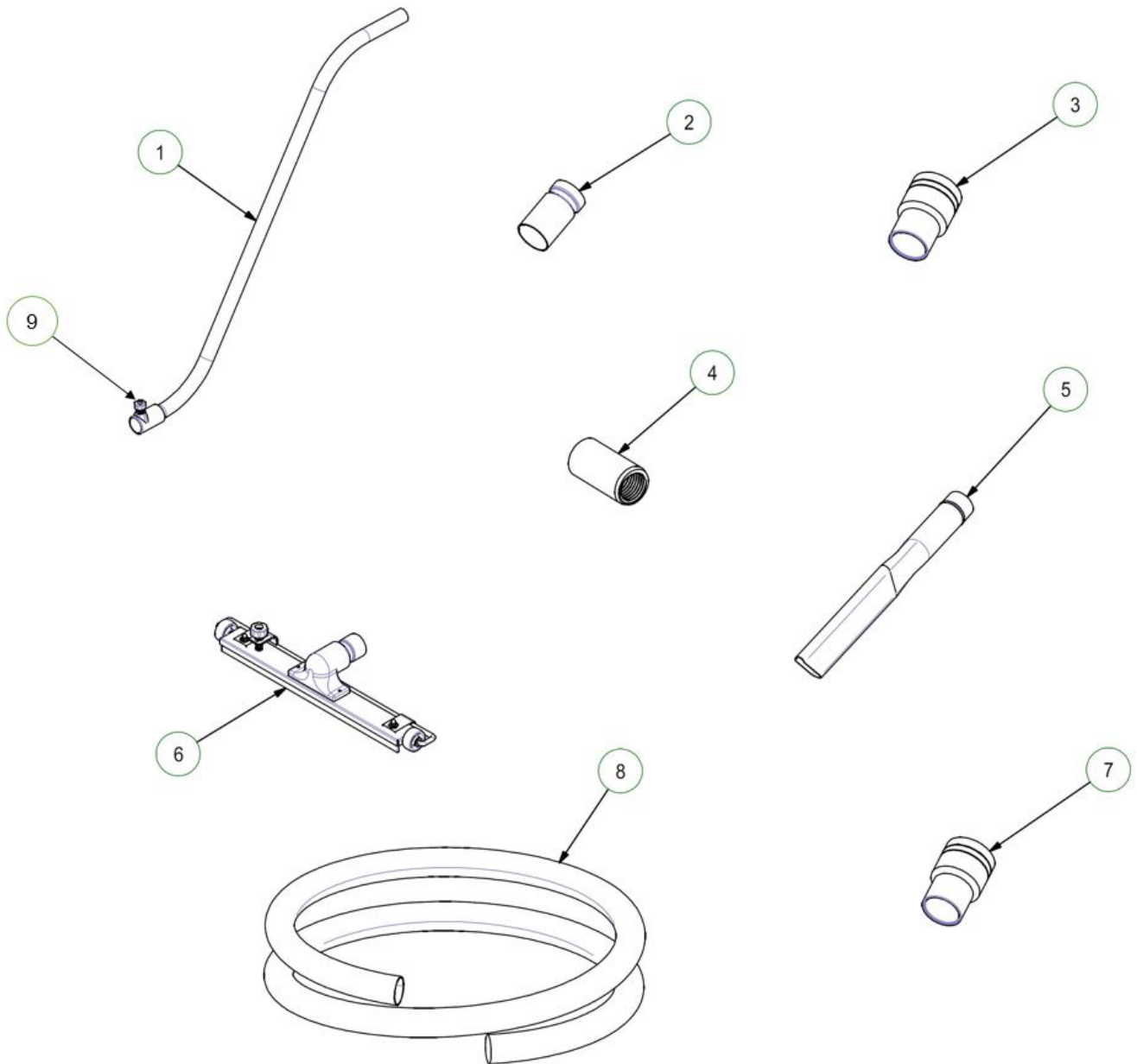
6 Wheels



6 Wheels

Item no.	Article no.	Description	Quantity
6	019362	Wheel Ø 200mm Vacuclean/T-Rex	2
7	084587	Rubber Wheels Ø100 Vacuclean/T-Rex	1
8	084588	Rubber Wheel with Break Vacuclean/T-Rex	1
9	084589	Axle retainer Vacuclean 2LP	1

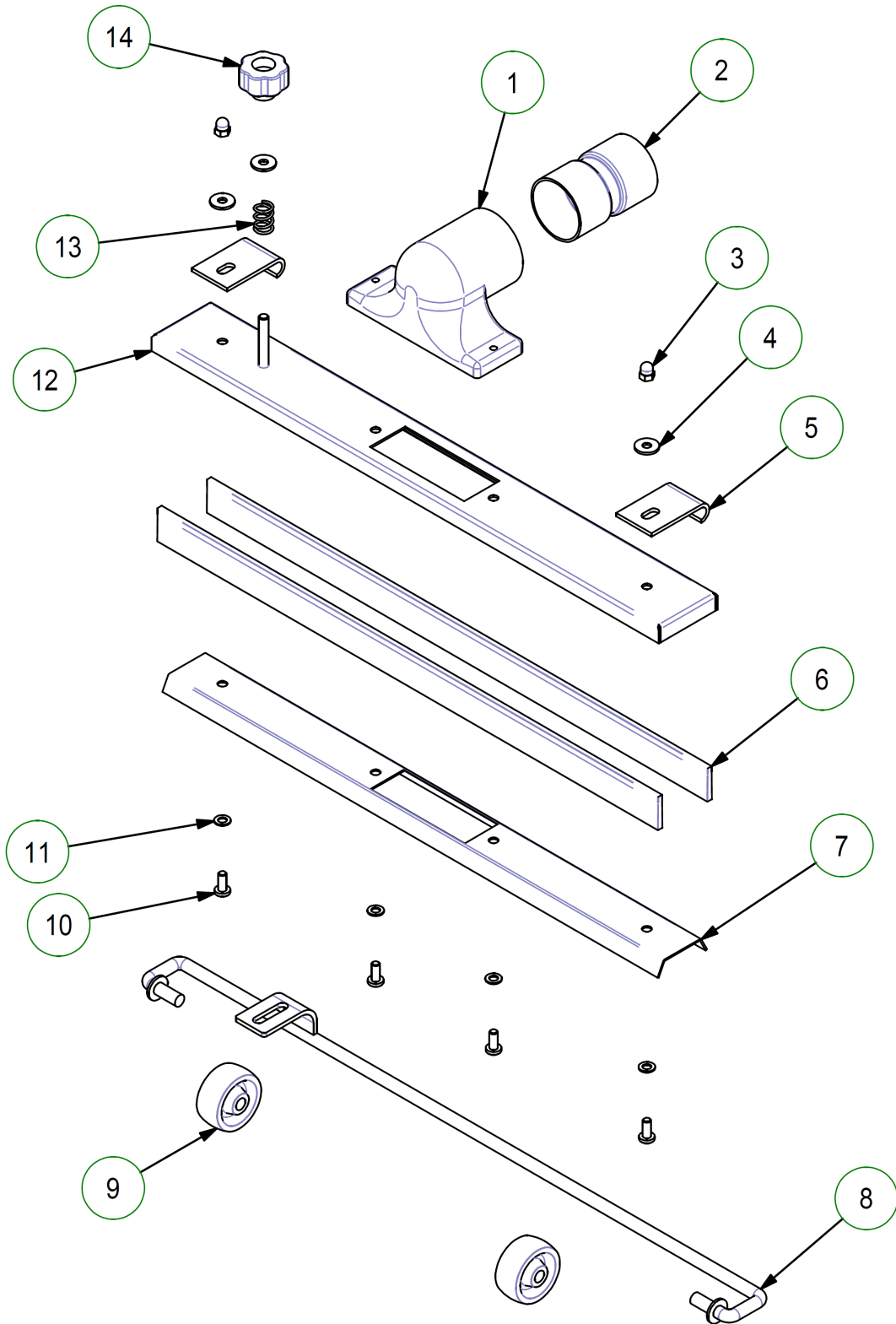
7 Accessories



7 Accessories

Item no.	Article no.	Description	Quantity
1	081620	Suction tube Ø38 Vacuclean2+LP	1
2	081990	Hose connection 50mm Vacuclean2+LP	1
3	013339	End piece, Ø50mm T-Rex	1
4	013338	Hose connector, Ø50mm T-Rex	1
5	083178	Flat nozzle Vacuclean2+LP	1
6	081618	Floor nozzle steel Ø38 Vacu. 2+LP 430mm	1
7	081626	Reducer 50/38mm f.Vacuclean2+LP	1
8	081617	Hose PU antistatisch 50mm / 5m	1
8	013337	Suction hose Ø50mm length 5m	1
9	084156	Lock button suction tube/Frame	1

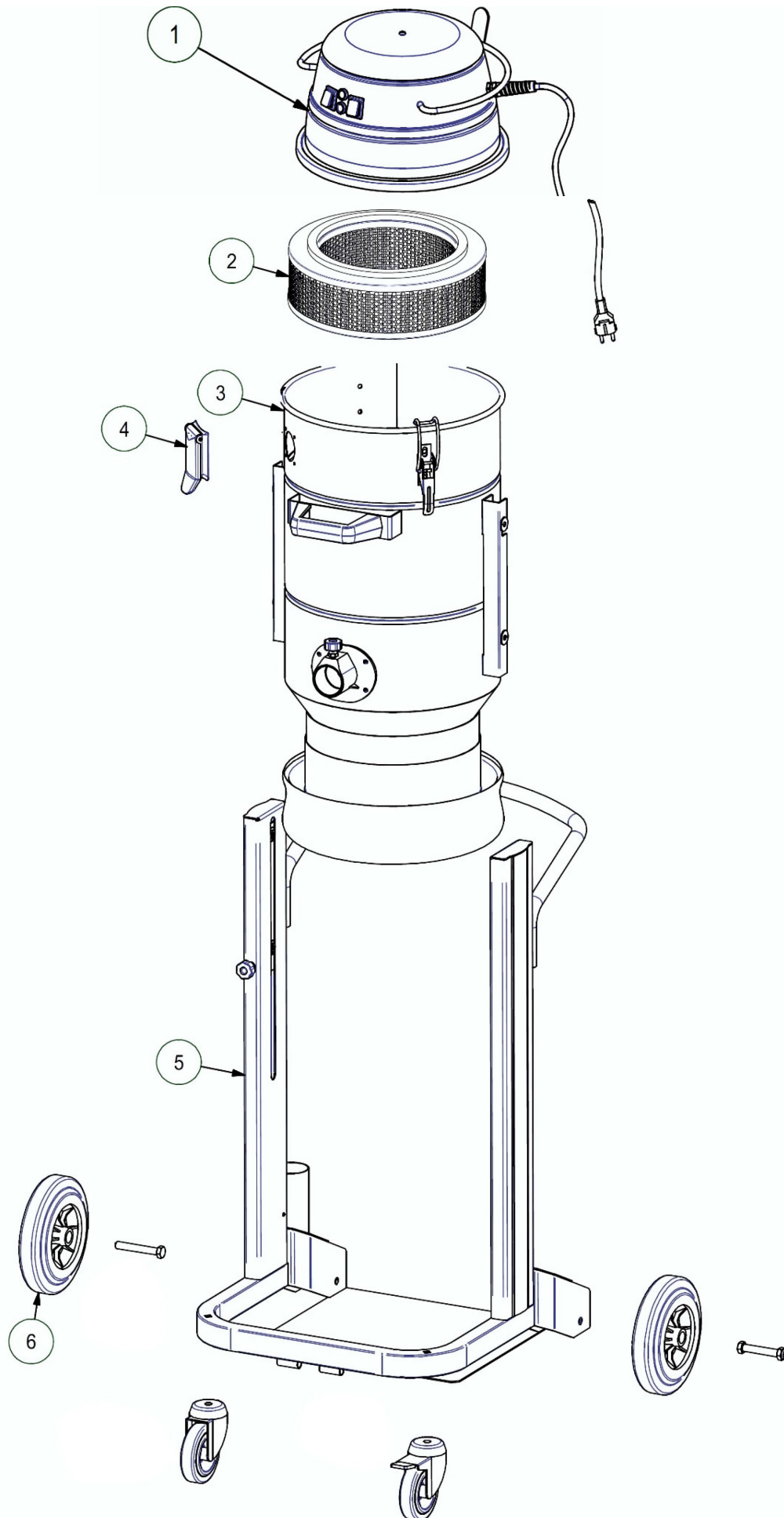
8 Floor nozzle steel Ø38 Vacuclean2+LP



8 Floor nozzle steel Ø38 Vacuclean2+LP

Item no.	Article no.	Description	Quantity
1		Cast aluminium holder	1
2		Plug-in piece	1
3		Nut	1
4		Washer	1
5		Holding Plate	1
6	050286	Spare brush for floor nozzle 430mm	1
6	083872	Suction lips for Floor nozzle V2+LP 430m	1
7	085474	Bar for roller nozzle bottom	1
8		Wheel Axle	1
9	056027	Wheel black 40mm	1
10	018714	Lens head screw M5x12 DIN 7985	1
11	017780	Washer M5 DIN 125 A	1
12		Bar for roller nozzle on top	1
13		Spring	1
14	164631	Knurled nut floor nozzle Vac. + T-Rex	1

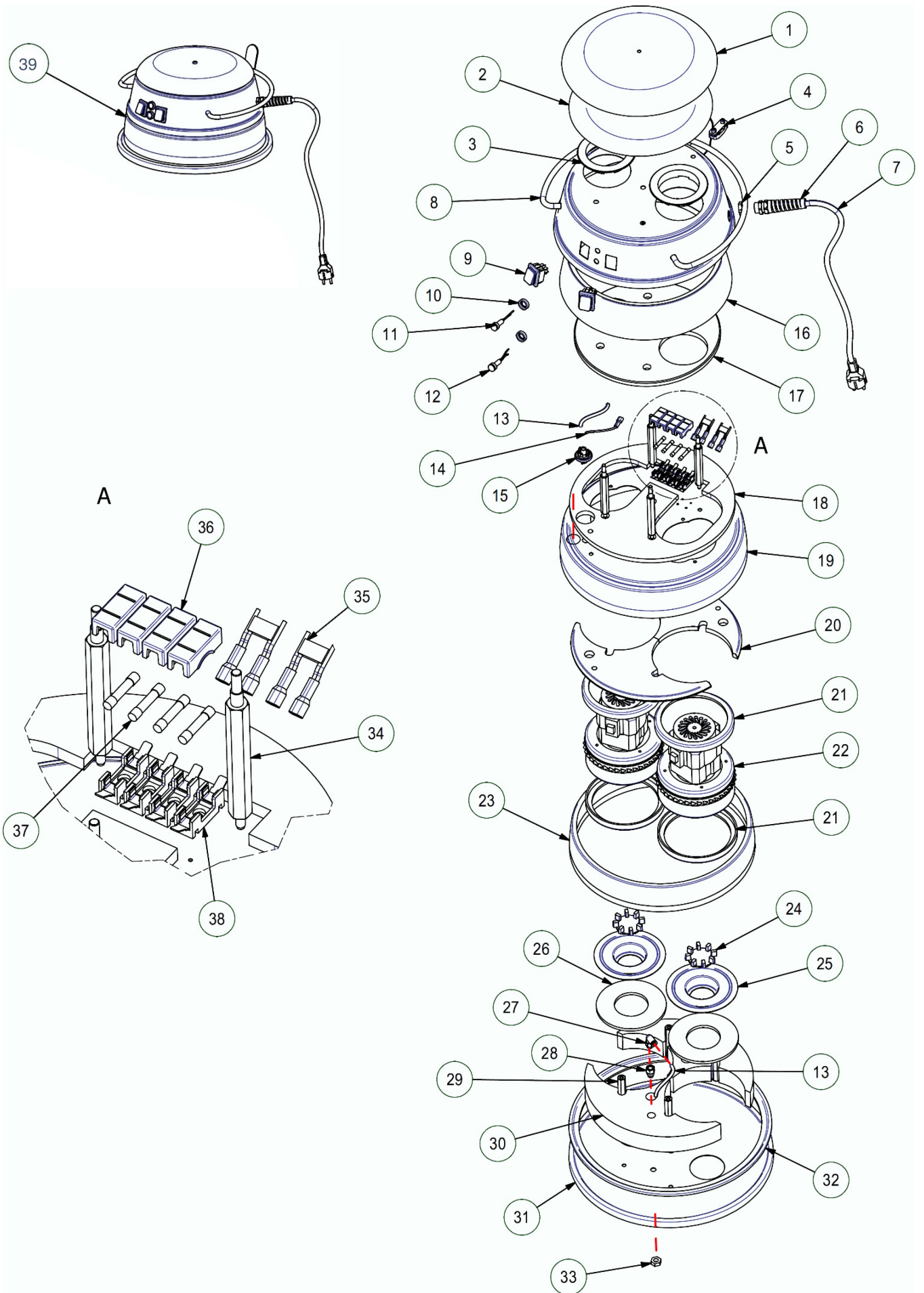
1 Vacuclean 2 LP 230V EU (Jan 19)



1 Vacuclean 2 LP 230V EU (Jan 19)

Item no.	Article no.	Description
1	02_02_081148	Motor Kit 230V
2	01_02_081153	Hepa Filter H
3	01_03_081706	Housing Kit
4	01_03_081148	Flap
5	01_05_081706	Chassis Kit
6	01_06_081706_0 1	Wheels
7	01_10_081706	Accessories
8	01_11_081618	Floor nozzle steel Ø38 Vacuclean2+LP

1 Motor Kit 230V



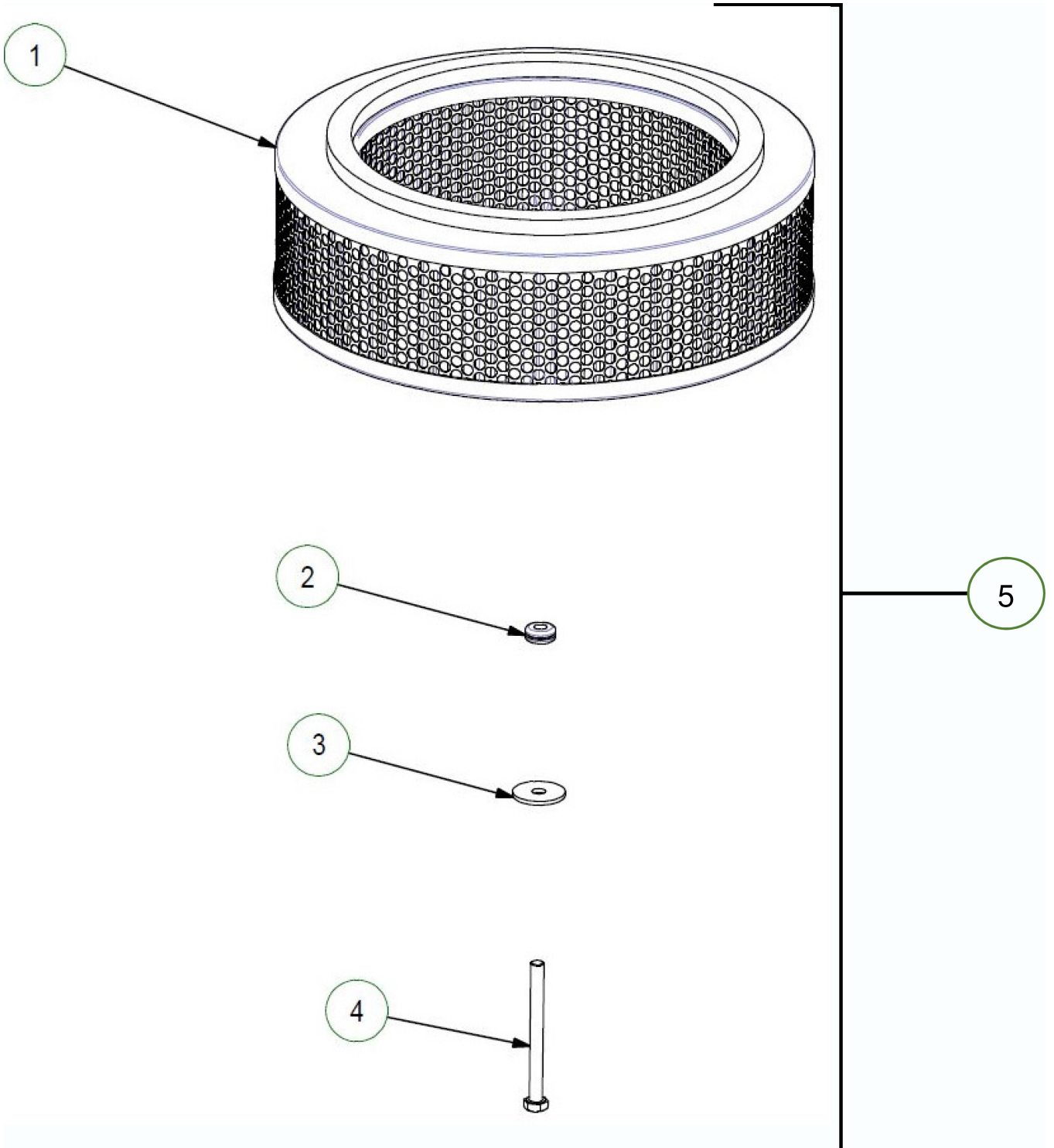
1 Motor Kit 230V

Item no.	Article no.	Description	Quantity
1		Covering head Vacuclean/Hepa Vac 2019	1
2	084591	Insulating mat top Vacuclean	1
3	084592	Cooling Ring Vacuclean/T-Rex	2
4	084593	Cabel Fastener Support Vacuclean/T-Rex	1
5	019346	Cable clamb nut PG13,5 black	1
6	019347	Knick protection Vacuclean /T-Rex	1
7	019348	Cable with plug Vacuclean/T-Rex	1
8		Cover top Vacuclean 2019	1
9	060516	Switch red Vacuclean /T-Rex	2
10	084594	Chromed Nut for Light Vacuclean	2
11	042189	Warning light orange Vacuclean/T-Rex	1
12	042186	Green warning light Vacuclean/T-Rex	1
13	086216	PU Hose 4x6 Vacuclean 230V	1
14	084604	Cable air pressure switch Vacuclean	1
15	084607	Pressure switch Vacuclean/T-Rex	1
16	084597	Cover Noise Buffering top Vacuclean	1
17	084598	Insulating mat center Vacuclean	1
18	084608	Insulating mat Motor Vacuclean	1
19	084610	Motor Cover Vacuclean	1
20	084611	Insulating mat below Vacuclean	2
21	019356	Gasket Motor 145x5 Vacuclean/T-Rex	4
22	017287	Motor 230V 50-60Hz Vac/ SEE 177447	2
22	177447	Motor 230V 50-60Hz Vacuclean/T-Rex 2023	2
23	084613	Cover Noise Buffering below Vacu.	1
24	084614	Valve Bottom Plate Vacuclean/T-Rex	2
25	084615	Bottom Plate Motor Vacuclean/T-Rex	2
26	084616	Bottom Plate Gasket Vacuclean/T-Rex	2
27	084619	Rotary joint Vacuclean	1
28	084620	Extension Vacuclean	1
29	084621	Spacer motor outside Vacuclean/T-Rex	4
30	084622	Cover Noise Buffering Plate Vacuclean	2
31	084624	Gasket Base Plate Vacuclean	1
32	084623	Base Plate Vacuclean	1
33	084626	Hexagon nut Vacuclean	1

1 Motor Kit 230V

Item no.	Article no.	Description	Quantity
34	084628	Spacer for Cover Vacuclean	4
35	086217	Cable Kit Vacuclean2 230V	1
36	084631	Fusecover Vacuclean/T-Rex	4
37	084692	Fuse 10A 230V Vacuclean/T-Rex	4
38	060517	Fuse holder Vacuclean /T-Rex	4
39		Motor Kit 230V Vacuclean 2+LP 2019	1

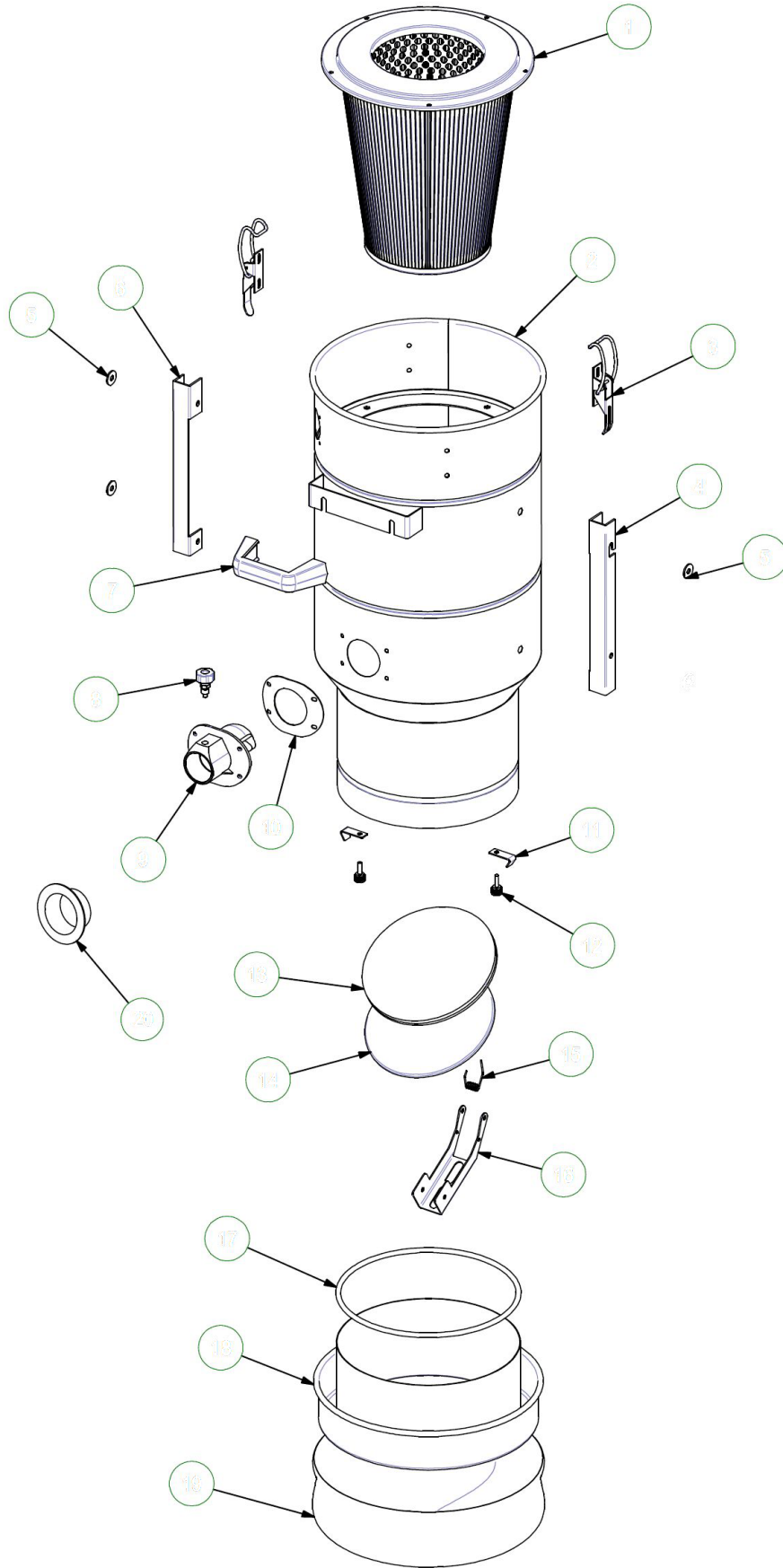
2 Hepa Filter H



2 Hepa Filter H

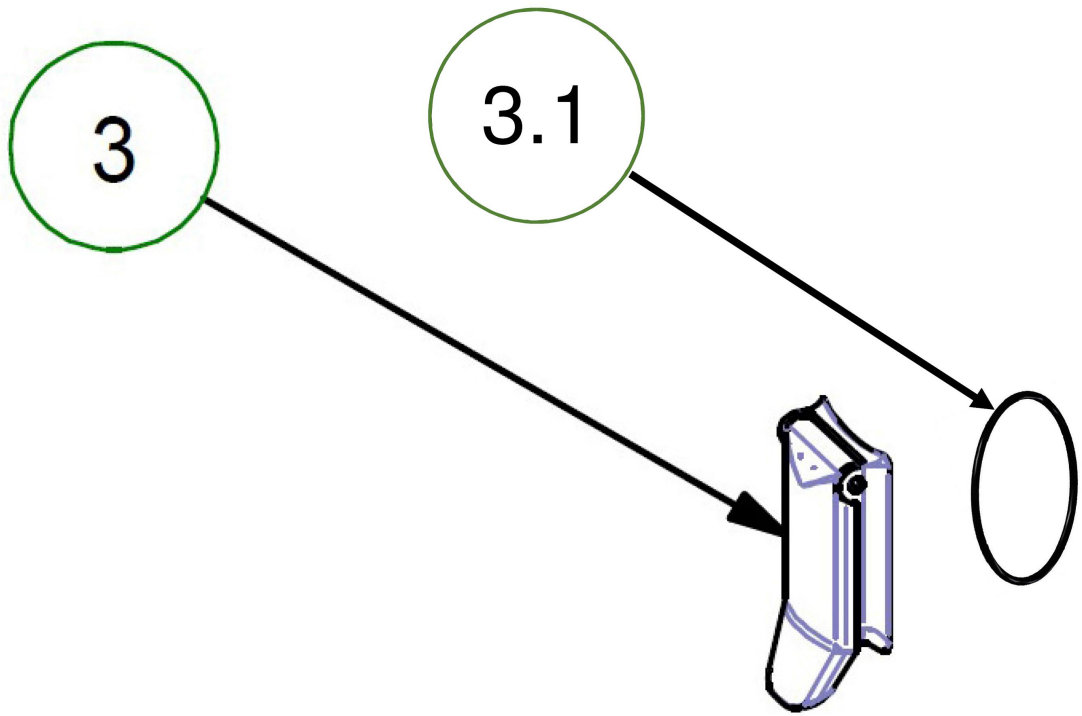
Item no.	Article no.	Description	Quantity
1	084303	Filter H14/HEPA Vacuclean 1/2/2LP	1
2	084634	Rubber enforcement Vacuclean	1
3	084635	Washer H Filter Vacuclean	1
4	082985	Screw 8X90 for HEPA Filter	1
5	084681	Filter H14/HEPA Kit for Vacuclean 1/2/LP	1

3 Housing Kit



3 Housing Kit

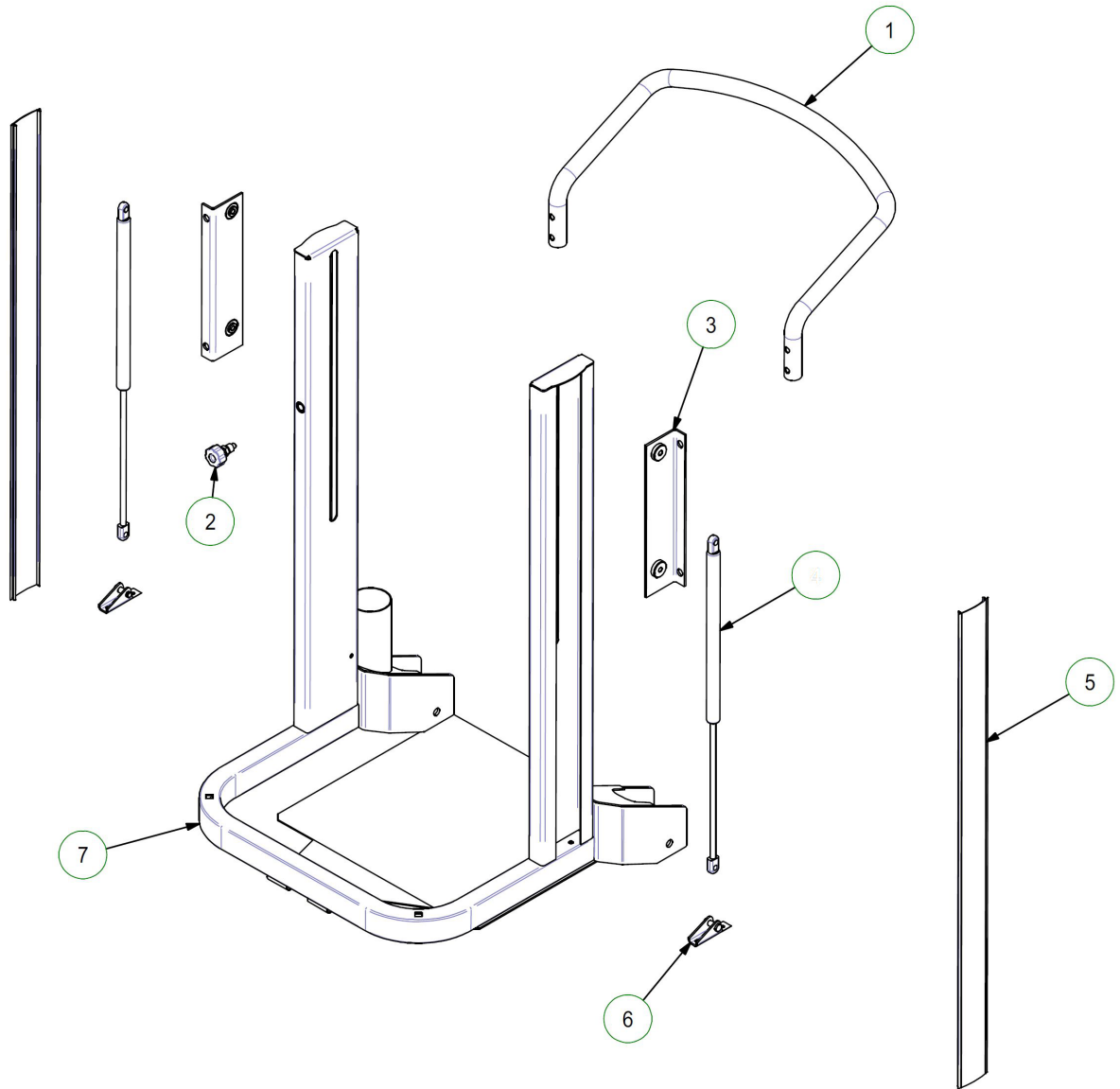
Item no.	Article no.	Description	Quantity
1	081613	Filter M/PTFE for Vacuclean2+LP	1
1	081615	Filter PTFE f.Vacuclean2+LP SEE 81613	1
2	084637	Housing Kit Ø360 Vacuclean 2LP	1
3	019377	Lock Vacuclean / T-Rex	2
4	084639	Chamber Profile left Vacuclean 2LP	1
5	084642	Nylon Washer Vacuclean 2LP	4
6	084641	Chamber Profile right Vacuclean 2LP	1
7	019378	Handle 140mm Vacuclean /T-Rex	1
8	084156	Lock button suction tube/Frame	1
9	084643	Inlet connection Vacuclean 2LP	1
10	084647	Sealing EPDM Vacuclean 2LP	1
11	084648	Hook for Longopac Vacuclean 2LP	2
12	084649	Knurled bolt M6x20 Vacuclean 2LP	2
13	084651	Flap Gasket Ø222 Vacuclean 2LP	1
14	084652	Flap / Filter cleaning Vacuclean 2LP	1
15	084653	Spring for Flap Vacuclean 2LP	1
16	084654	Flap Arm Vacuclean 2LP	1
17	084655	Frame for Longopac Vacuclean 2LP	1
18	084656	Container for Bag Vacuclean 2LP	1
19	081629	Dust bag endless 4x22m for LP Vacuum	1
20	084657	Cover PVC Ø50 Vacuclean 2+2LP	1



4 Flap

Item no.	Article no.	Description	Quantity
3	084585	Flap Ø50 Vacuclean	1
3.1	088725	O-Ring 55x2,5 - EPDM 70	2

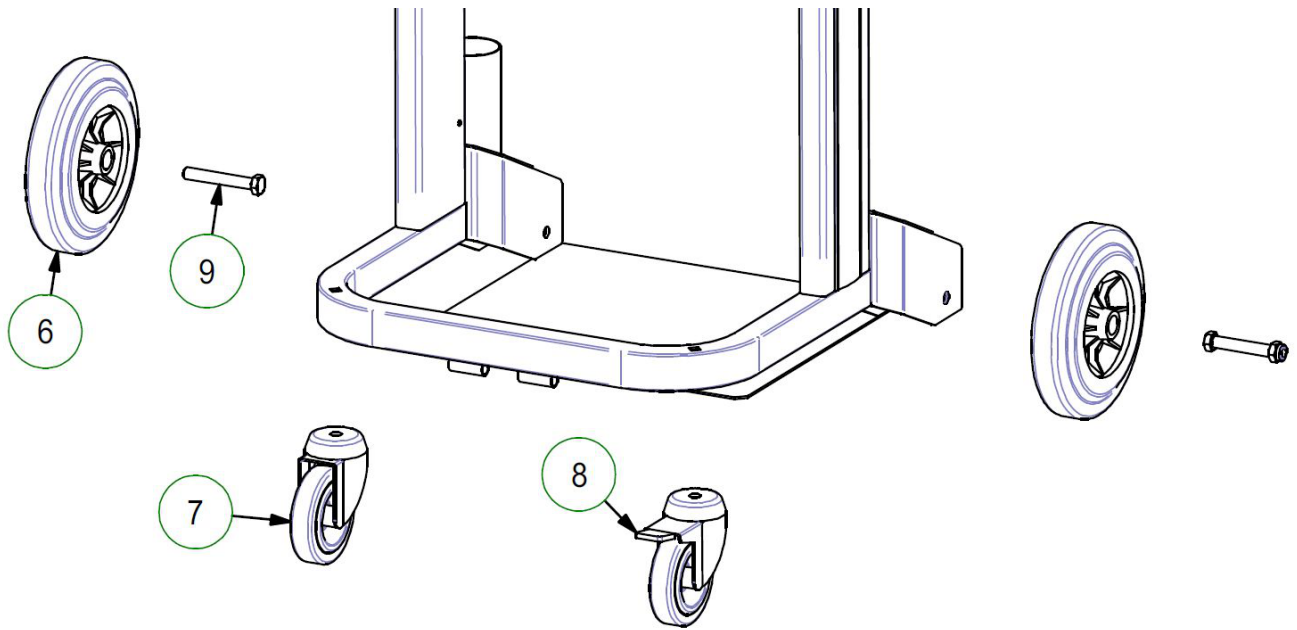
5 Chassis Kit



5 Chassis Kit

Item no.	Article no.	Description	Quantity
1	084658	Hand grip Carriage Vacuclean 2LP	1
2	084156	Lock button suction tube/Frame	1
3	084660	Bracket for Sliding Vacuclean 2LP	2
4	084661	Gas pressure dampers Vacuclean 2LP	2
5	084663	Side Panels Vacuclean 2LP	2
6	084664	Bracket for gas dampers Vacuclean 2LP	2
7	084665	Chassis frame Vacuclean 2LP	1

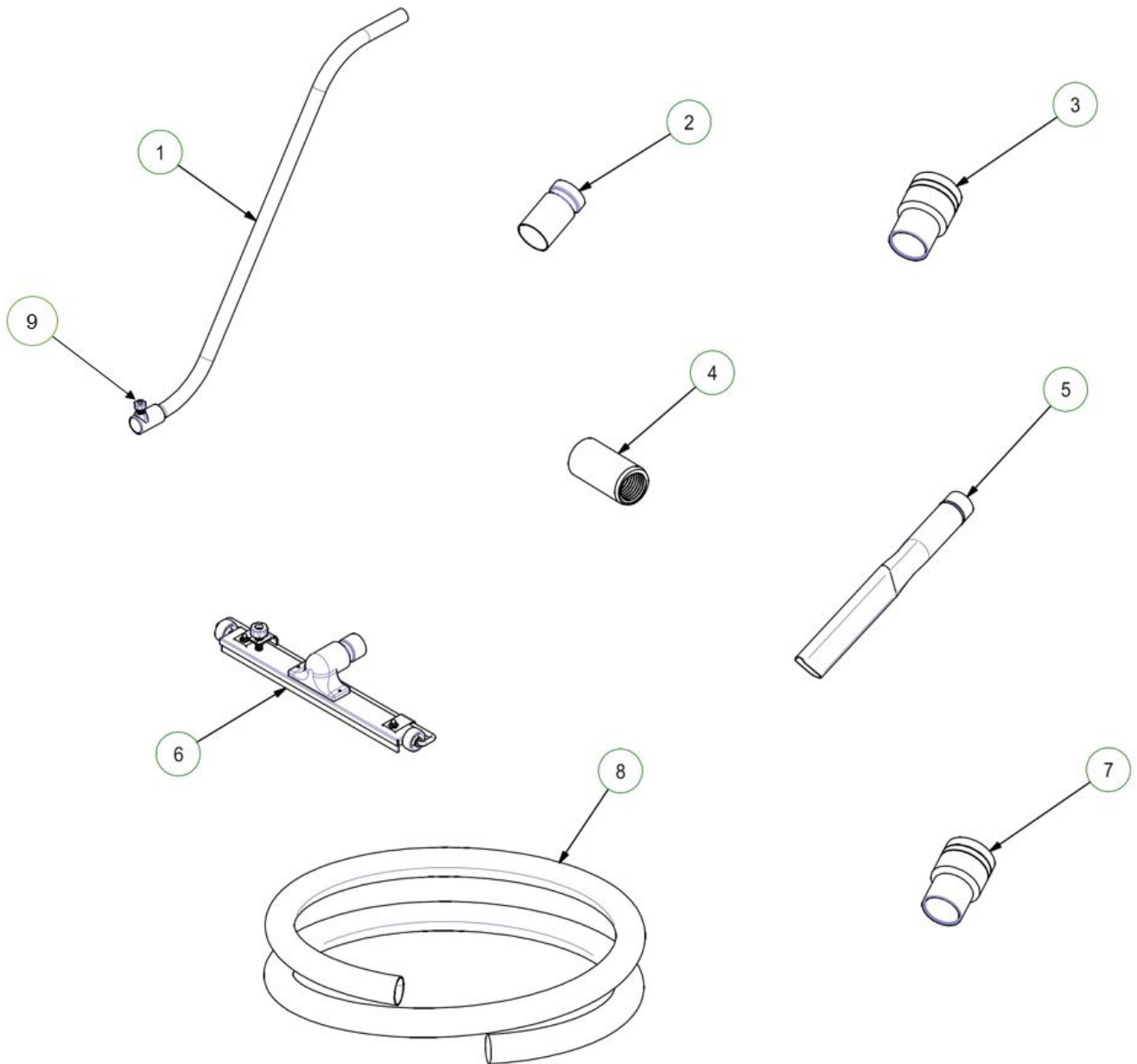
6 Wheels



6 Wheels

Item no.	Article no.	Description	Quantity
6	019362	Wheel Ø 200mm Vacuclean/T-Rex	2
7	084587	Rubber Wheels Ø100 Vacuclean/T-Rex	1
8	084588	Rubber Wheel with Break Vacuclean/T-Rex	1
9	084589	Axle retainer Vacuclean 2LP	1

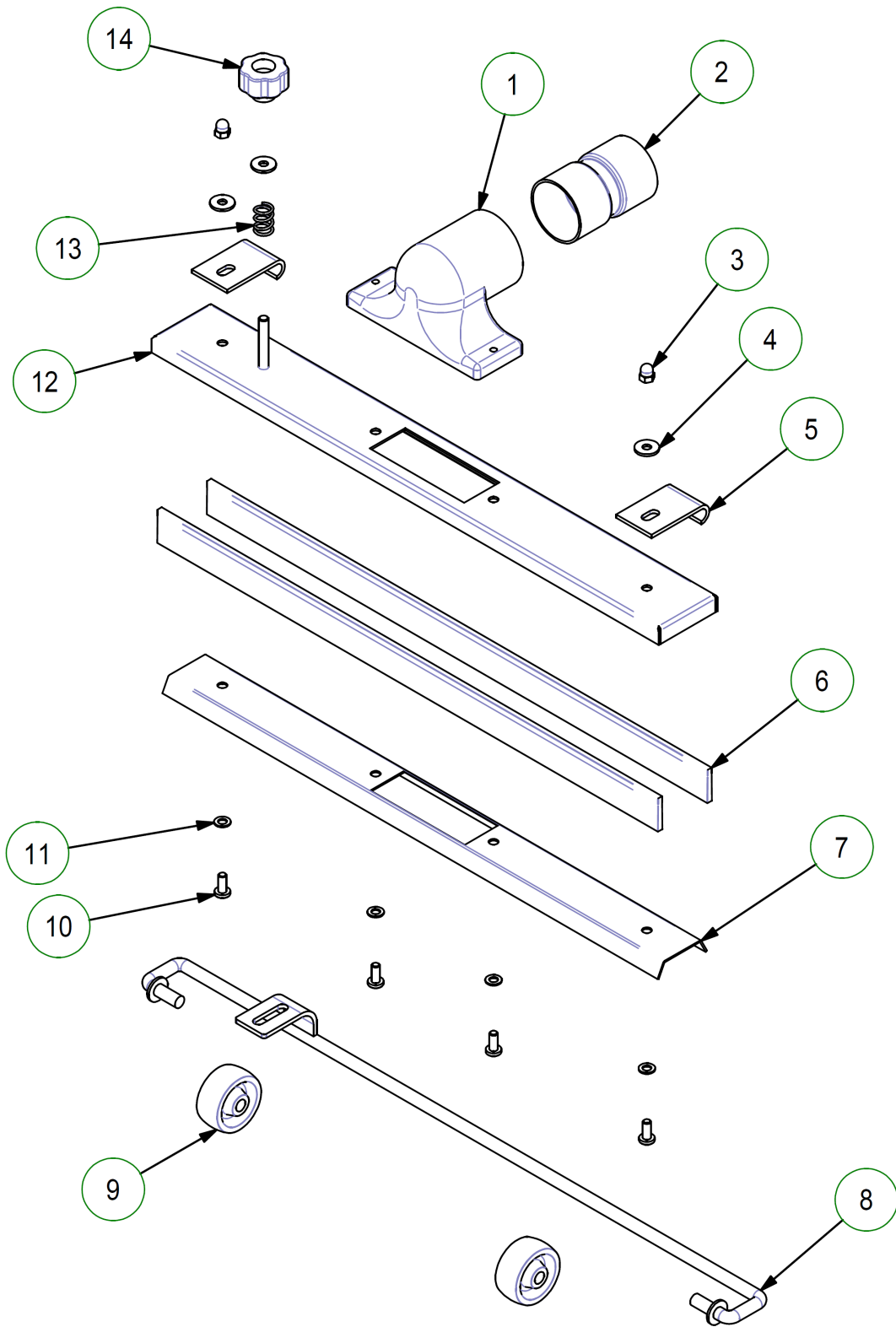
7 Accessories



7 Accessories

Item no.	Article no.	Description	Quantity
1	081620	Suction tube Ø38 Vacuclean2+LP	1
2	081990	Hose connection 50mm Vacuclean2+LP	1
3	013339	End piece, Ø50mm T-Rex	1
4	013338	Hose connector, Ø50mm T-Rex	1
5	083178	Flat nozzle Vacuclean2+LP	1
6	081618	Floor nozzle steel Ø38 Vacu. 2+LP 430mm	1
7	081626	Reducer 50/38mm f.Vacuclean2+LP	1
8	081617	Hose PU antistatisch 50mm / 5m	1
8	013337	Suction hose Ø50mm length 5m	1
9	084156	Lock button suction tube/Frame	1

8 Floor nozzle steel Ø38 Vacuclean2+LP



8 Floor nozzle steel Ø38 Vacuclean2+LP

Item no.	Article no.	Description	Quantity
1		Cast aluminium holder	1
2		Plug-in piece	1
3		Nut	1
4		Washer	1
5		Holding Plate	1
6	050286	Spare brush for floor nozzle 430mm	1
6	083872	Suction lips for Floor nozzle V2+LP 430m	1
7	085474	Bar for roller nozzle bottom	1
8		Wheel Axle	1
9	056027	Wheel black 40mm	1
10	018714	Lens head screw M5x12 DIN 7985	1
11	017780	Washer M5 DIN 125 A	1
12		Bar for roller nozzle on top	1
13		Spring	1
14	164631	Knurled nut floor nozzle Vac. + T-Rex	1