



spare parts list WS125 18V EU



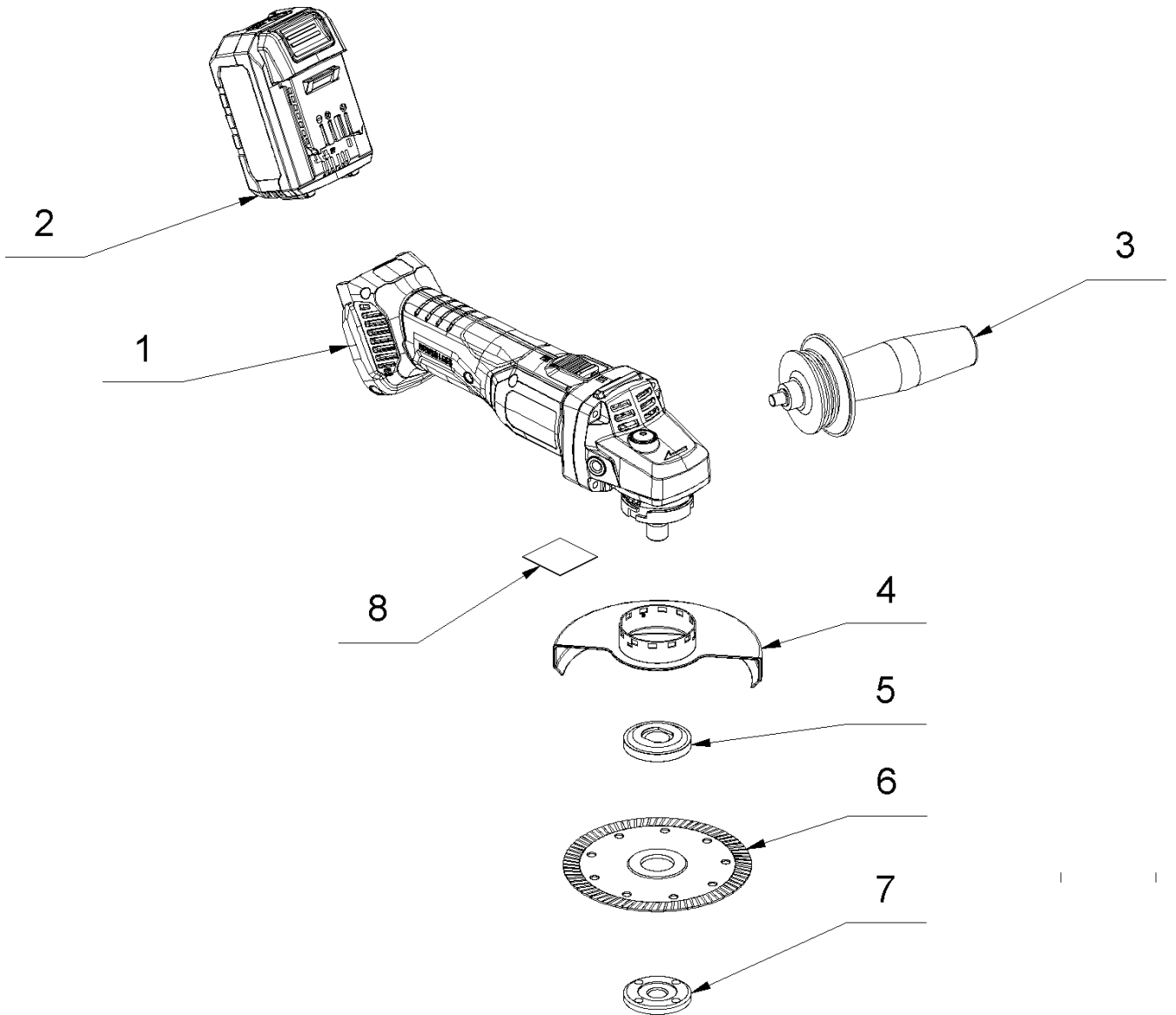
Table of contents

1 WS125 18V (0001/2020 - heute)	3
1 Machine	4
1 Battery angle grinder L125-18.0V	7
3 Accessories	9

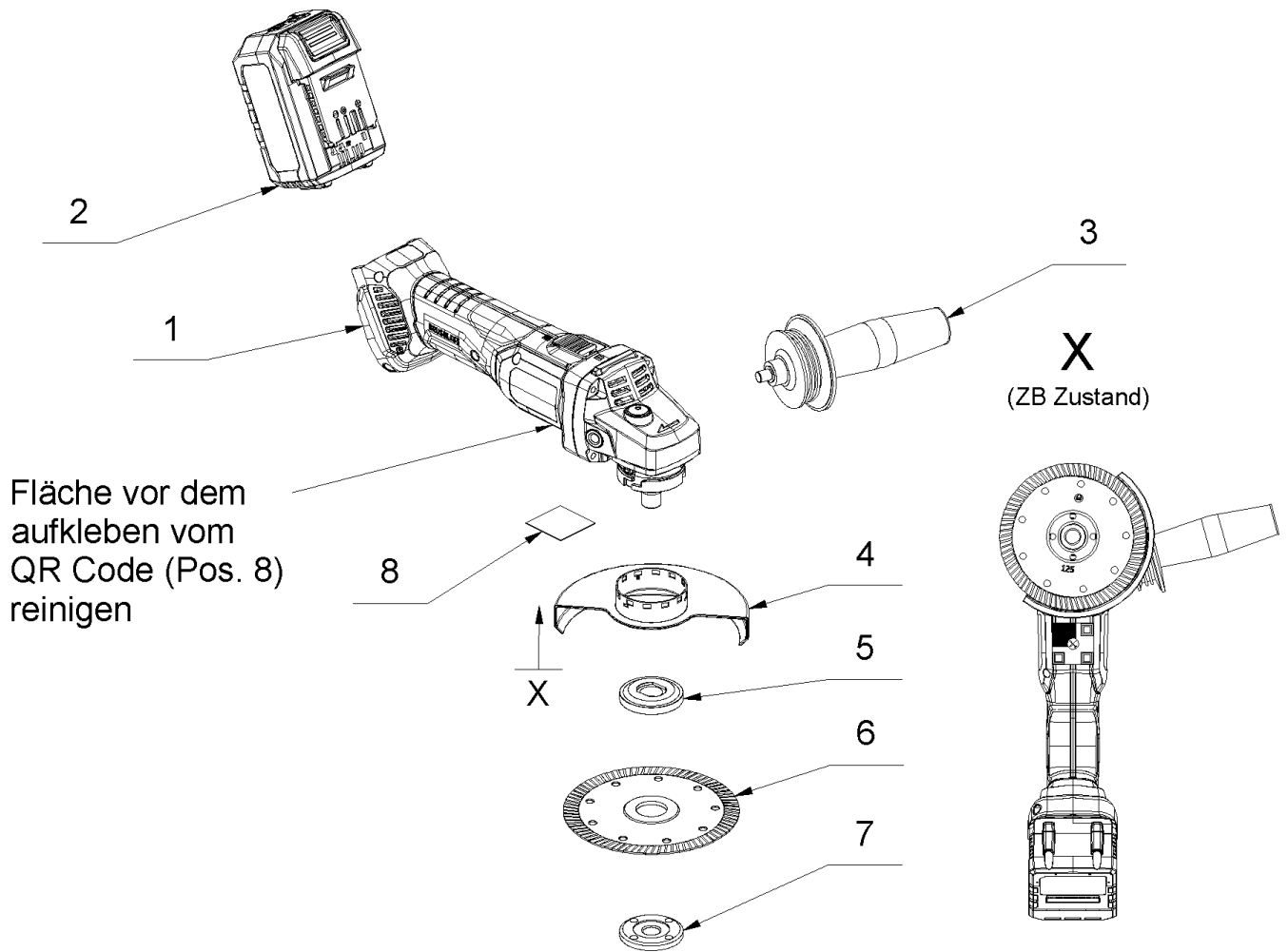
1 WS125 18V (0001/2020 - heute)

Item no.	Article no.	Description
1	01_01_159513	Machine
3	01_03_159513	Accessories

1 Machine



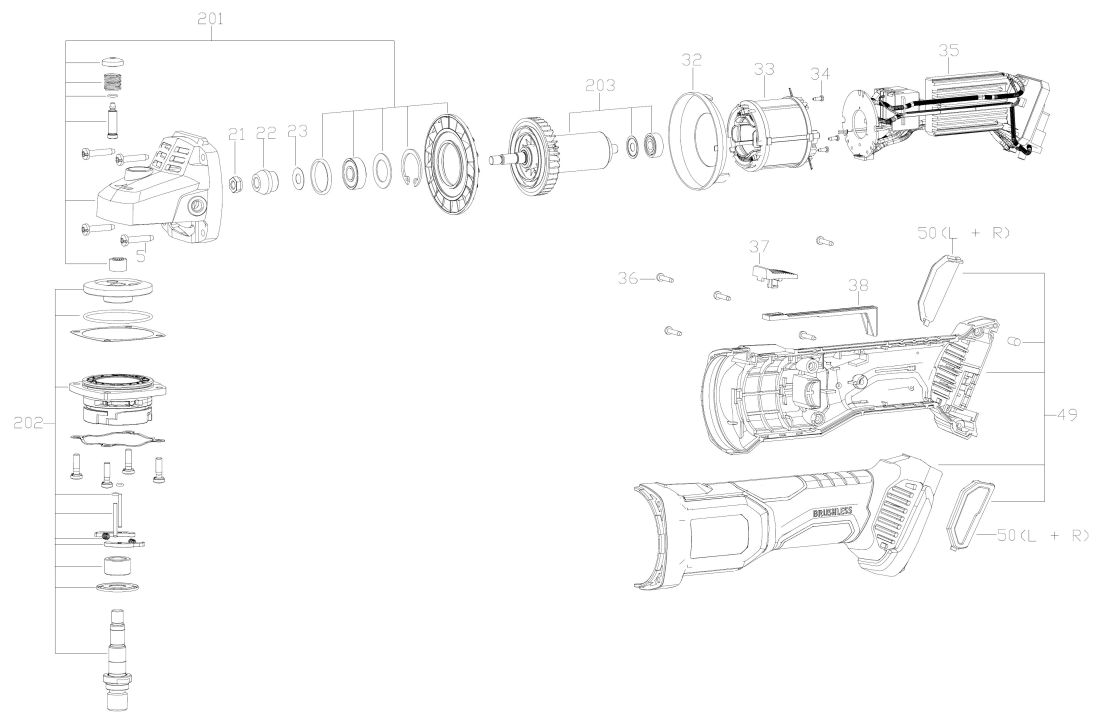
1 Machine



1 Machine

Item no.	Article no.	Description	Quantity
1	089621	Battery angle grinder L125-18.0V	1
2	010930	Battery pack 18V/5Ah/Li 90Wh	1
3	081258	Anti-vibration handle, M 8 black	1
4	159337	Protection cover Ø125mm L125-18V	1
5	159339	Clamping flange L125-18V	1
6	010058	Slide cut-off wheel for dry cutting	1
7	159341	Clamping nut L125-18V	1

1 Battery angle grinder L125-18.0V



1 Battery angle grinder L125-18.0V

Item no.	Article no.	Description	Quantity
5	159273	Screw ST4 2x22 L125-18V	4
21	159275	Nut Housing M6 L125-18V	1
22	159276	Pinion Z14 housing L125-18V	1
23	159277	Dust washer 15,6x7x0,2 L125-18V	1
32	159279	Air deflector L125-18V	1
33	159281	Magnetic field L125-18V	1
34	159323	Screw 2,2x6,5 L125-18V	3
35	159324	Electronic module L125-18V	1
36	159326	Screw 2,9x16 L125-18V	5
37	159328	Switch button L125-18V	1
38	159331	Switch Actuator L125-18V	1
49		housing assy	1
50	159333	Dust cover LE/RI Set L125-18V	1
201	159272	Gearbox housing cpl. L125-18V	1
202	159274	Gear shaft cpl. L125-18V	1
203	159278	Anchor cpl. L125-18V	1

3 Accessories

Item no.	Article no.	Description
1	159342	Face spanner L125-18V
2	159575	Einlage Karton Akku Winkelschleifer 18V
3	015315	Hearing protectors
4	015316	Protective goggles
5	010058	Slide cut-off wheel for dry cutting