



spare parts list Weldmaster 230V EU



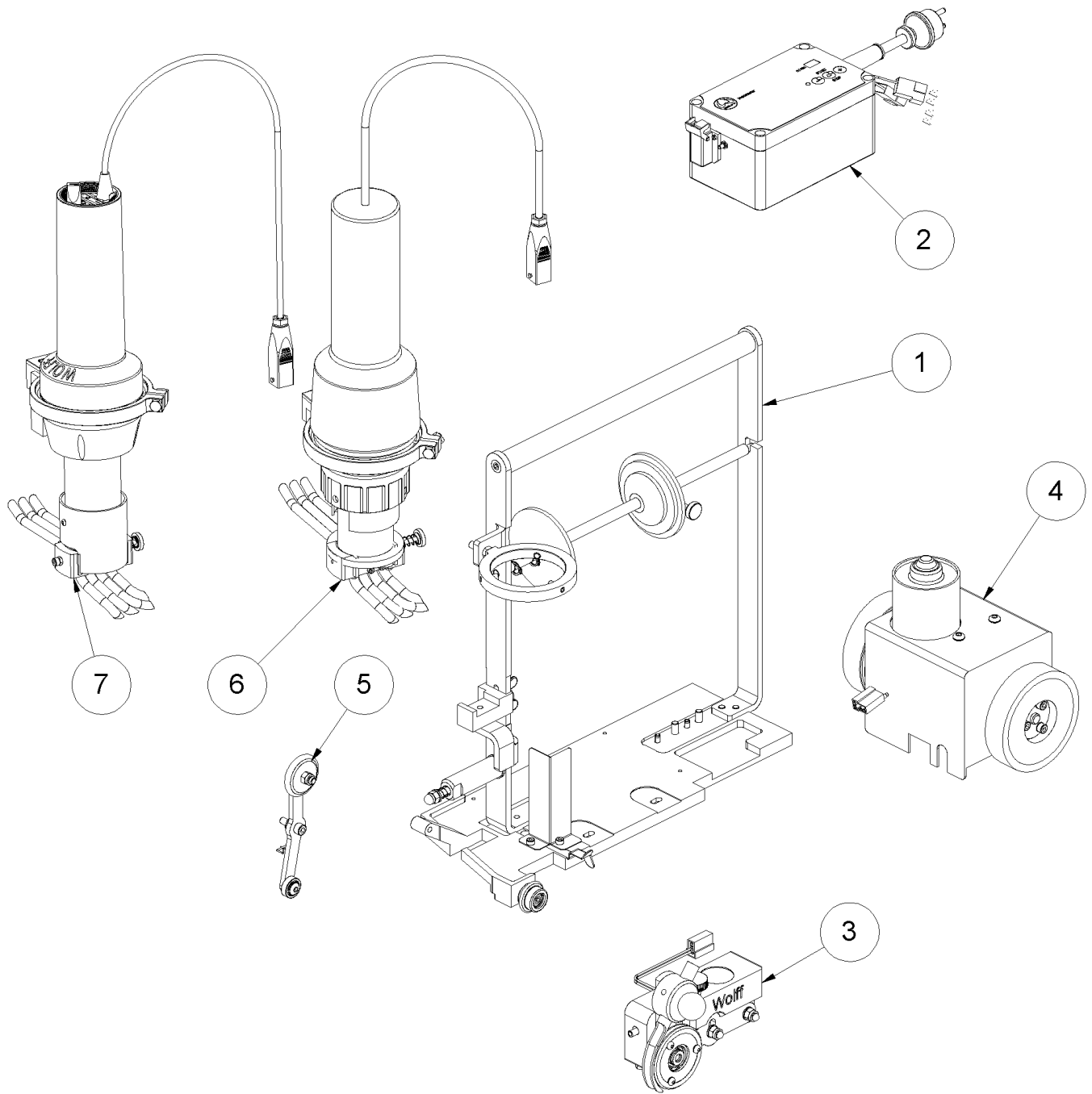
Table of contents

1 Weldmaster (11/2005-11/2009)	4
1 Basic plate	6
2 Control electronics	9
3 Housing block	11
4 Drive Motor	13
5 Wall switch off	15
6 Heater til 2021	17
15 Hot air device 230V SAM2 SEE 164518	19
7 Heater from 2022	21
8 Circuit diagram	23
9 Accesories	24
2 Weldmaster (0001/2009-0113/2011)	25
1 Basic plate	27
2 Control electronics	30
3 Housing block	32
4 Drive Motor	34
5 Wall switch off	36
6 Heater til 2021	38
15 Hot air device 230V SAM2 SEE 164518	40
7 Heater from 2022	42
8 Circuit diagram	44
9 Accesories	46
4 Weldmaster (0114/2011-0308/2014)	47
1 Basic plate	49
2 Control electronics	52
3 Housing block	54
4 Drive Motor	56
5 Wall switch off	58
6 Heater til 2021	60
15 Hot air device 230V SAM2 SEE 164518	62
7 Heater from 2022	64
8 Circuit diagram	66
9 Accesories	68
5 Weldmaster (0309/2014-0438/2016)	69
1 Basic plate	71
2 Control electronics	74
3 Housing block	76
4 Drive Motor	78
5 Wall switch off	80
6 Heater til 2021	82
15 Hot air device 230V SAM2 SEE 164518	84
7 Heater from 2022	86
8 Circuit diagram	88
9 Accesories	90
6 Weldmaster (0439/2016-0683/2020)	91
1 Basic plate	93
2 Control electronics	96
3 Housing block	98
4 Drive Motor	100
5 Wall switch off	102
6 Heater til 2021	104
15 Hot air device 230V SAM2 SEE 164518	106
7 Heater from 2022	108
8 Circuit diagram	110
9 Accesories	112
7 Weldmaster (0684/2020-0753/2021)	113
1 Basic plate	115
2 Control electronics	118

Table of contents

3 Housing block	120
4 Drive Motor	122
5 Wall switch off	124
6 Heater til 2021	126
15 Hot air device 230V SAM2 SEE 164518	128
7 Heater from 2022	130
8 Circuit diagram	132
9 Accesories	134

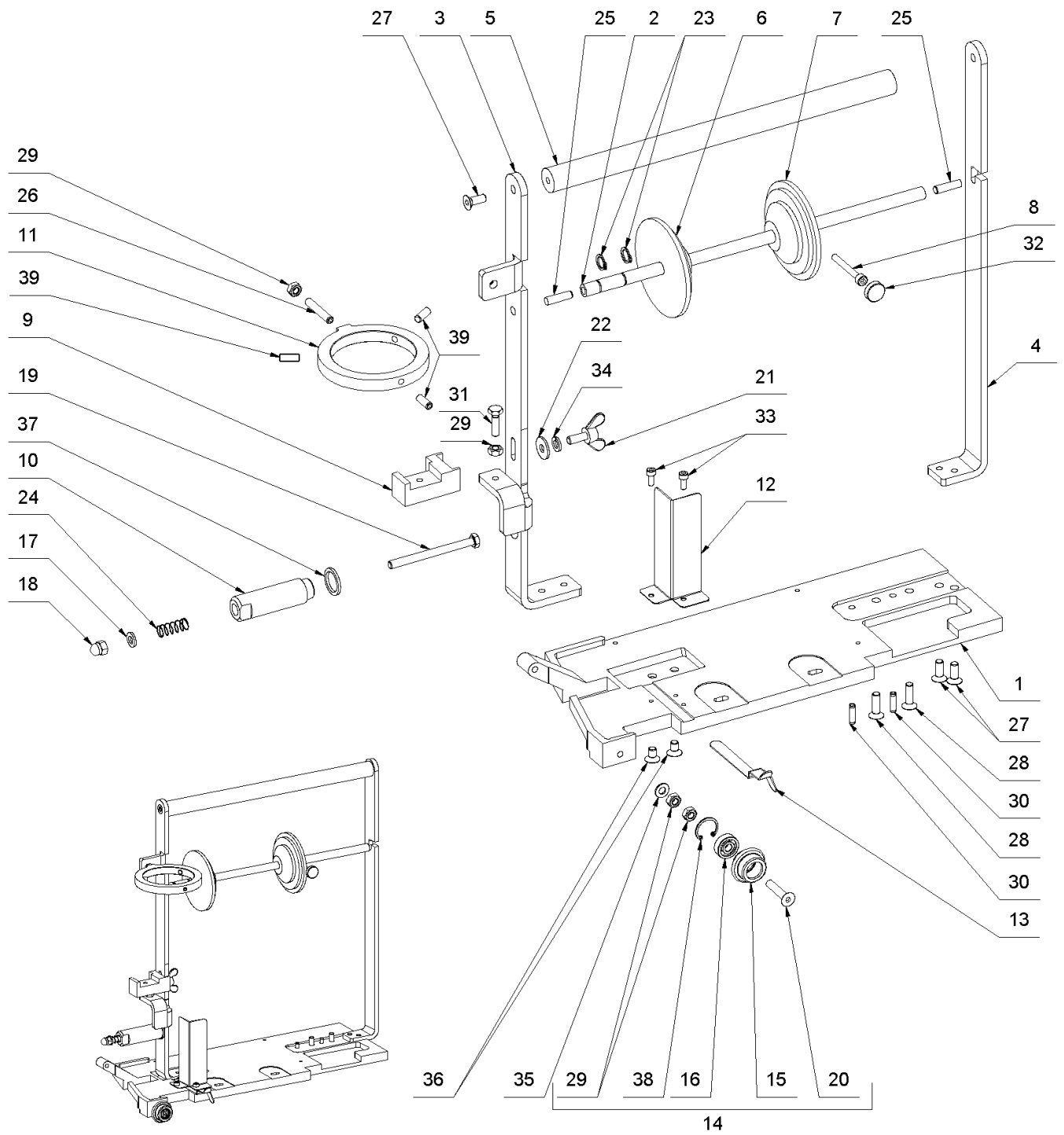
1 Weldmaster (11/2005-11/2009)



1 Weldmaster (11/2005-11/2009)

Item no.	Article no.	Description
1	01_01_013479	Basic plate
2	01_02_015297	Control electronics
3	01_03_013479	Housing block
4	01_04_013479	Drive Motor
5	01_05_013479	Wall switch off
6	01_06_013479	Heater til 2021
7	02_06_164518	Heater from 2022
8	01_08_013479	Circuit diagram
9	01_09_013479	Accesories

1 Basic plate



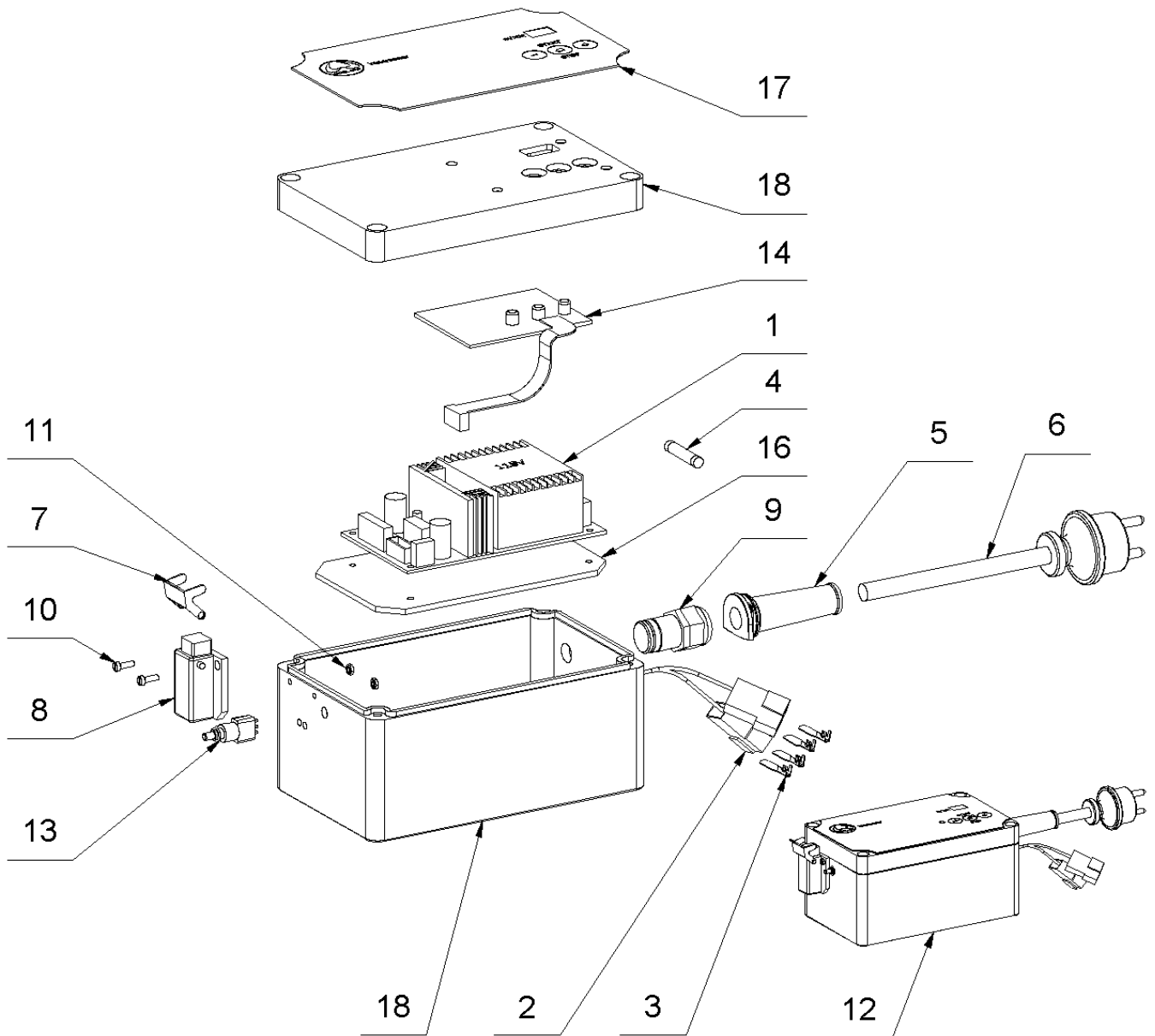
1 Basic plate

Item no.	Article no.	Description	Quantity
1	015285	Base plate SAM 2	1
2	015287	Axle for welding rod	1
3	017860	Shackle up front SAM 2	1
4	015288	Strap back SAM 2	1
5	017886	Axle f.shackle SAM 2	1
6	017421	Roller holder rigid	1
7	015289	Roller holder moveable SAM 2	1
8	014723	Cylinder head screw M5x40 DIN 912	1
9	017940	Bracket support SAM 2	1
10	017937	Switching sleeve SAM 2	1
11	017934	Supporting ring SAM 2	1
12	017615	Pressing plate SAM 2	1
13	015300	Nozzle cover SAM 2	1
14	015040	Guide roller compl	1
15	015258	Guiding roll SM1200	1
16	017538	Ball bearing DIN625-626 6x19x6 2RS	1
17	014827	Washer M6 DIN 125 A	1
18	017687	Cap nut M 6 DIN 1587	1
19	014774	Hexagon head screw M 6x 75 DIN 931	1
20	017699	Countersunk screw M6x30 DIN 7991 10.9	1
21	017677	Wing screw M 6x16 DIN 316	1
22	017724	Washer DIN 9021 6,4x18x1,6	1
23	017694	Safety washer A10 DIN 471	2
24	014894	Pressure spring VD-090E / 9x23,90x0,55	1
25	017717	Cylindrical pin 6x 24 DIN 6325	2
26	017524	Headless pin M6x40 DIN 913	1
27	014756	Countersunk screw M6x16 DIN 7991 10.9	4
28	014757	Countersunk screw M6x20 DIN 7991 10.9	2
29	014809	Hexagon nut M6 DIN 934	5
30	014889	Spiral pin 5x16/7374	2
31	014771	Hexagonal screw M 6x 20 DIN 933	1
32	014802	Thumb screw M 5	1
33	014717	Cylinder head screw M4x10 DIN 912	2
34	014843	Spring washer 6 DIN 127 B	1

1 Basic plate

Item no.	Article no.	Description	Quantity
35	017736	shim ring 6x12x1 DIN 988	1
36	017726	Countersunk screw M6x10 DIN 7991 10.9	2
37	014836	Sealing ring 22x17x2 SAM 2	1
38	017693	Safety washer I19 DIN 472	1
39	017529	headless pin M6x16 DIN 913	3

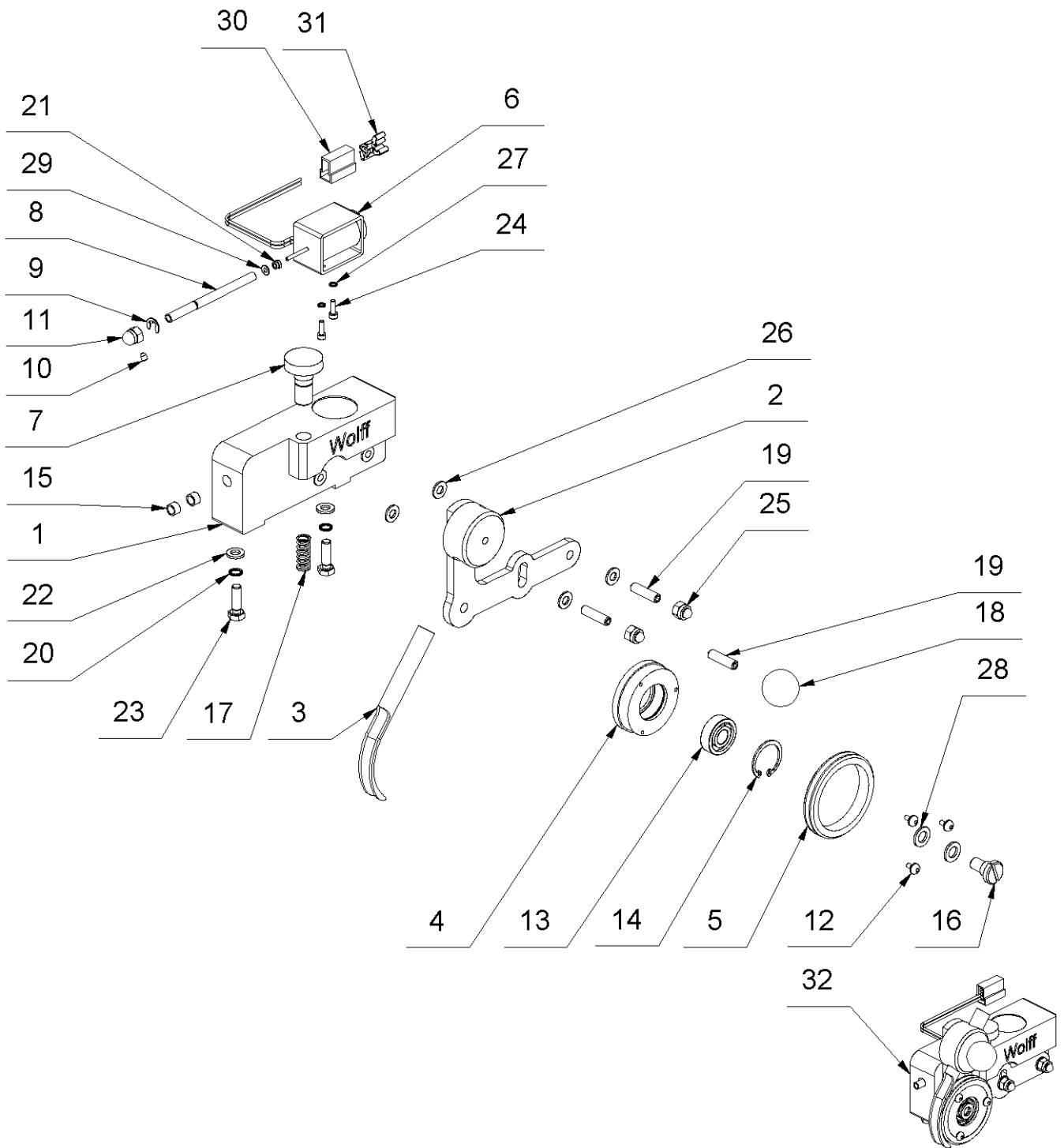
2 Control electronics



2 Control electronics

Item no.	Article no.	Description	Quantity
1	074581	Platine cpl. 230V Weldmaster	1
2	017644	Housing for flat connector	2
3	017788	Flat plug BM 638	4
4	061532	fuse 1A SAM 2	1
5	017664	Protective rubber sleeve	1
6	014713	Cord 2x1,5 ² x4m black w.nonrewireableplug	3
7	017795	Retaining Clip SAM 2	1
8	017560	Attachment coupling SAM 2	1
9	014992	Protective cut-out switch	1
10	018246	Cylinder head screw M3x10 DIN 84	2
11	017629	Hexagon nut M3 DIN 934	2
12	015297	Electronics complete 230V	1
13	014983	Calipers SAM 2	1
14	056009	Platine Electronics Weldm./SAM2	1
16	017930	Mounting plate SAM 2	1
17	017790	Foil display SAM 2	1
18	017995	Switch housing SAM 2	1
o.Abb.	056750	Cable set Temperaturdisplay	1
o.Abb.	079056	Plug 3-pol. 230V DK	1

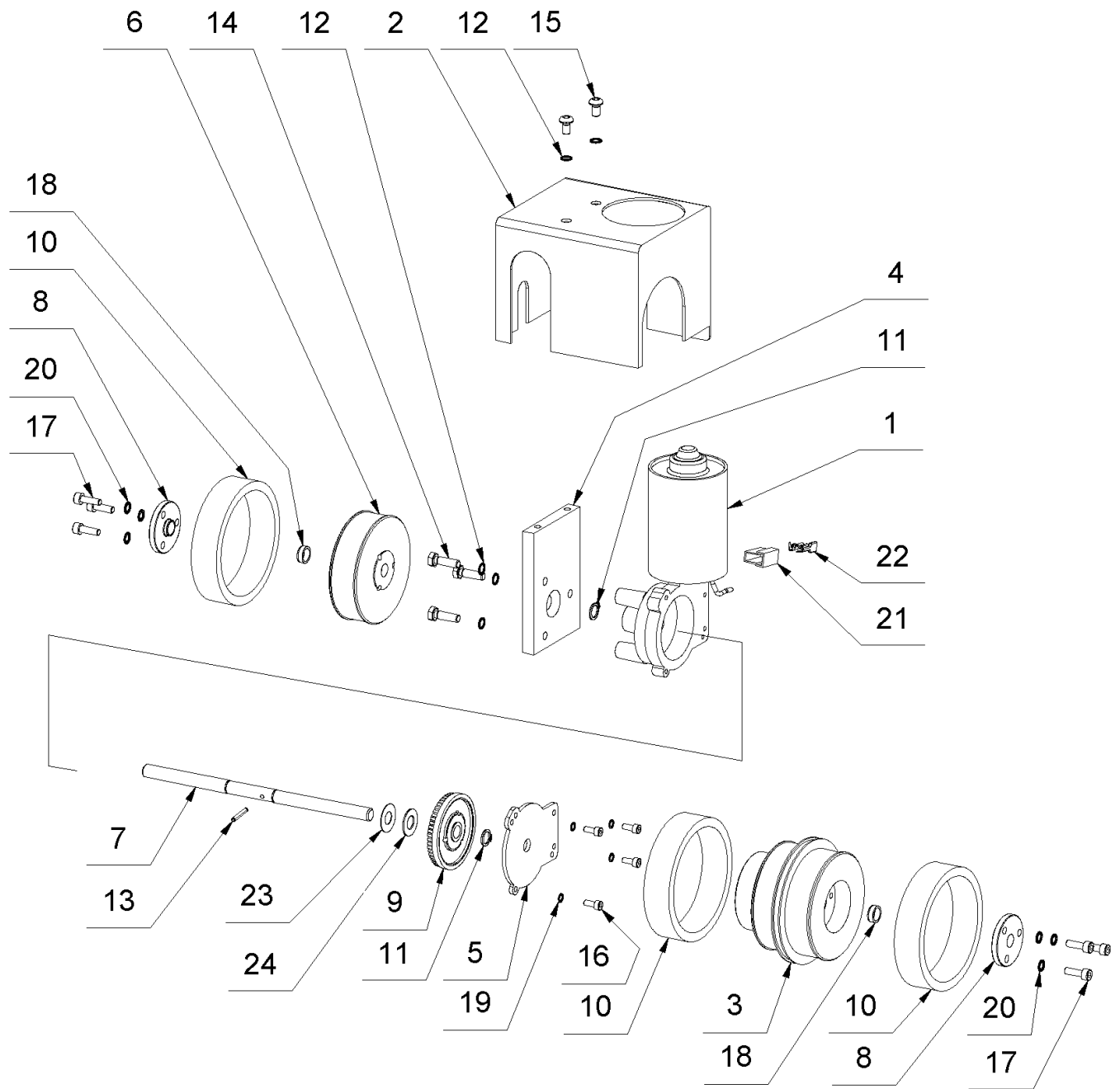
3 Housing block



3 Housing block

Item no.	Article no.	Description	Quantity
1	017880	Housing SAM 2	1
2	017882	Rocker SAM 2	1
3	015291	Welding rod feeding tube SAM 2	1
4	017933	Rim for welding wheel SAM 2	1
5	015282	Pressure roller SAM 2	1
6	015296	Shifting magnet SAM 2	1
7	017973	Knurled bolt M12x20	1
8	017972	Shifting rod SAM 2	1
9	017714	Safety washer d5 DIN 6799	1
10	064786	Thread pin M 4x 4 DIN 916	1
11	017986	cap nut SAM 2	1
12	017555	Lens head screw M3x6	3
13	017001	Ball Bearing 6000 2RSH	1
14	017692	Safety washer I26 / DIN 472	1
15	017759	Bushing 0605	2
16	017716	Flat head screw M8x 6 DIN 923	1
17	017751	Pressure spring VD-198 / 9,25x33x1,25	1
18	017543	Ball Handle 25mm M6 black	1
19	017683	Headless pin M 6x25 DIN 914	3
20	014859	Schnorr washer M6	2
21	017768	El.Stop-Nut M3 DIN 985	1
22	014827	Washer M6 DIN 125 A	2
23	014771	Hexagonal screw M 6x 20 DIN 933	2
24	014715	Cylinder head screw M3x10 DIN 912	2
25	017728	cap nut M 6 DIN 986	2
26	017736	shim ring 6x12x1 DIN 988	4
27	017772	Schnorr washer M3	2
28	017648	shim ring 8x14x1,5 DIN 988	2
29	018223	disc M 3 DIN 125B vzkt	1
30	017668	Plug sleeve housing	1
31	017789	Flat plug sleeve B638	2

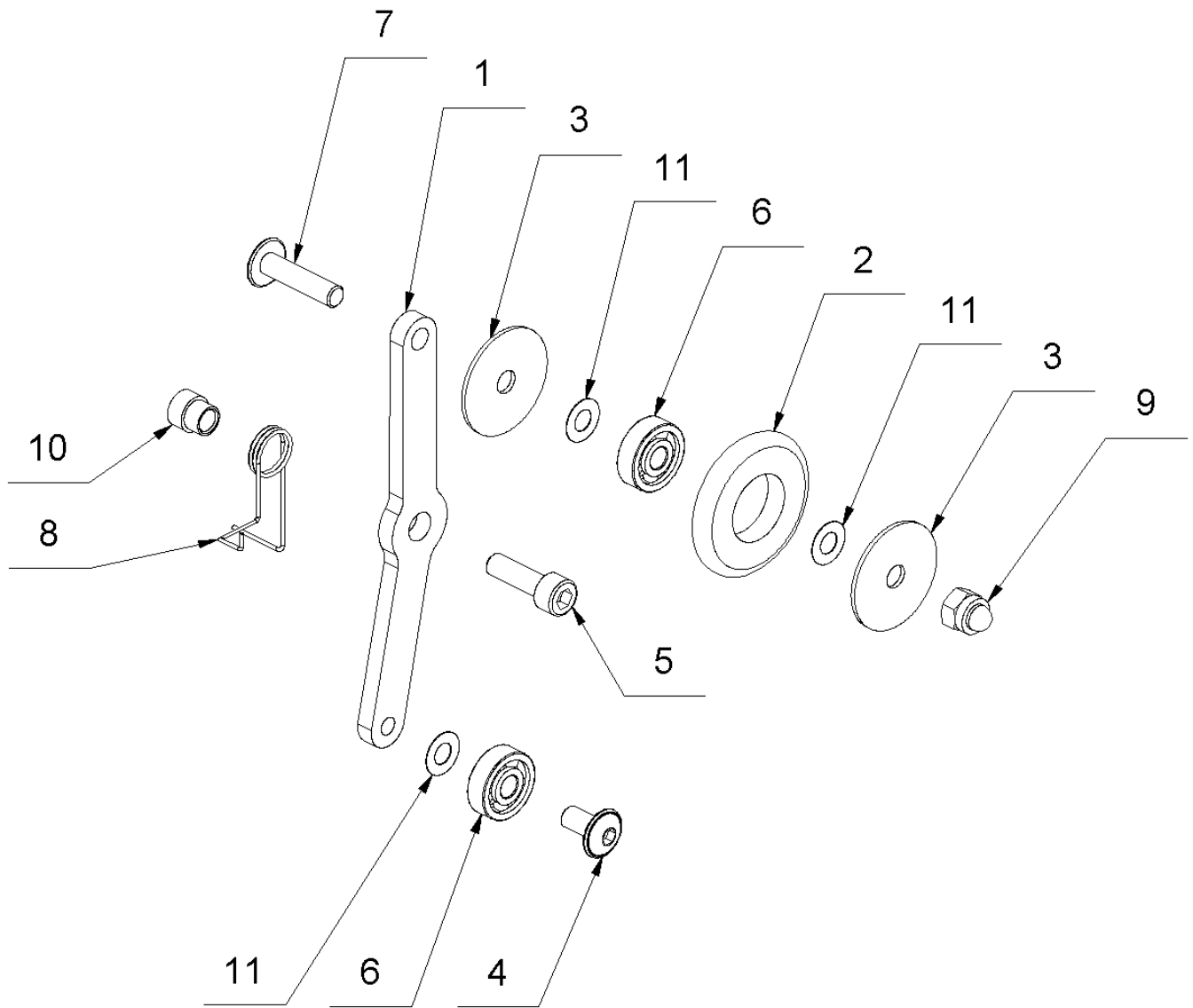
4 Drive Motor



4 Drive Motor

Item no.	Article no.	Description	Quantity
1	082073	Motor 230V+115V SAM2 ab08/16 kompl.	1
2	017853	Axle housing SAM 2	1
3	017833	Driving wheel SAM 2	1
4	017903	Ball bearing SAM 2	1
5	015290	Gear cover SAM 2	1
6	017849	Driving wheel, narrow SAM 2	1
7	015292	Axle Drive shaft SAM 2	1
8	017942	Tension flange SAM 2	2
9	082073	Motor 230V+115V SAM2 ab08/16 kompl.	1
10	014930	Rubber band d62xd82x22 SAM 2	3
11	017694	Safety washer A10 DIN 471	2
12	014859	Schnorr washer M6	5
13	017775	spiral spring pin 3x20 DIN 7343	1
14	014771	Hexagonal screw M 6x 20 DIN 933	3
15	014799	Lens head screw M6x10	2
16	014717	Cylinder head screw M4x10 DIN 912	4
17	017610	Cylinder head screw M5x16 DIN 912	6
18	017774	Clamping sleeve 10x13 SAM 2	2
19	016961	Snorr washer M4	4
20	014858	Schnorr washer M5	6
21	017668	Plug sleeve housing	1
22	017789	Flat plug sleeve B638	2
23	014840	Spacer 10x22x0.5	1
24	014844	Spring washer B M10 DIN 137	1

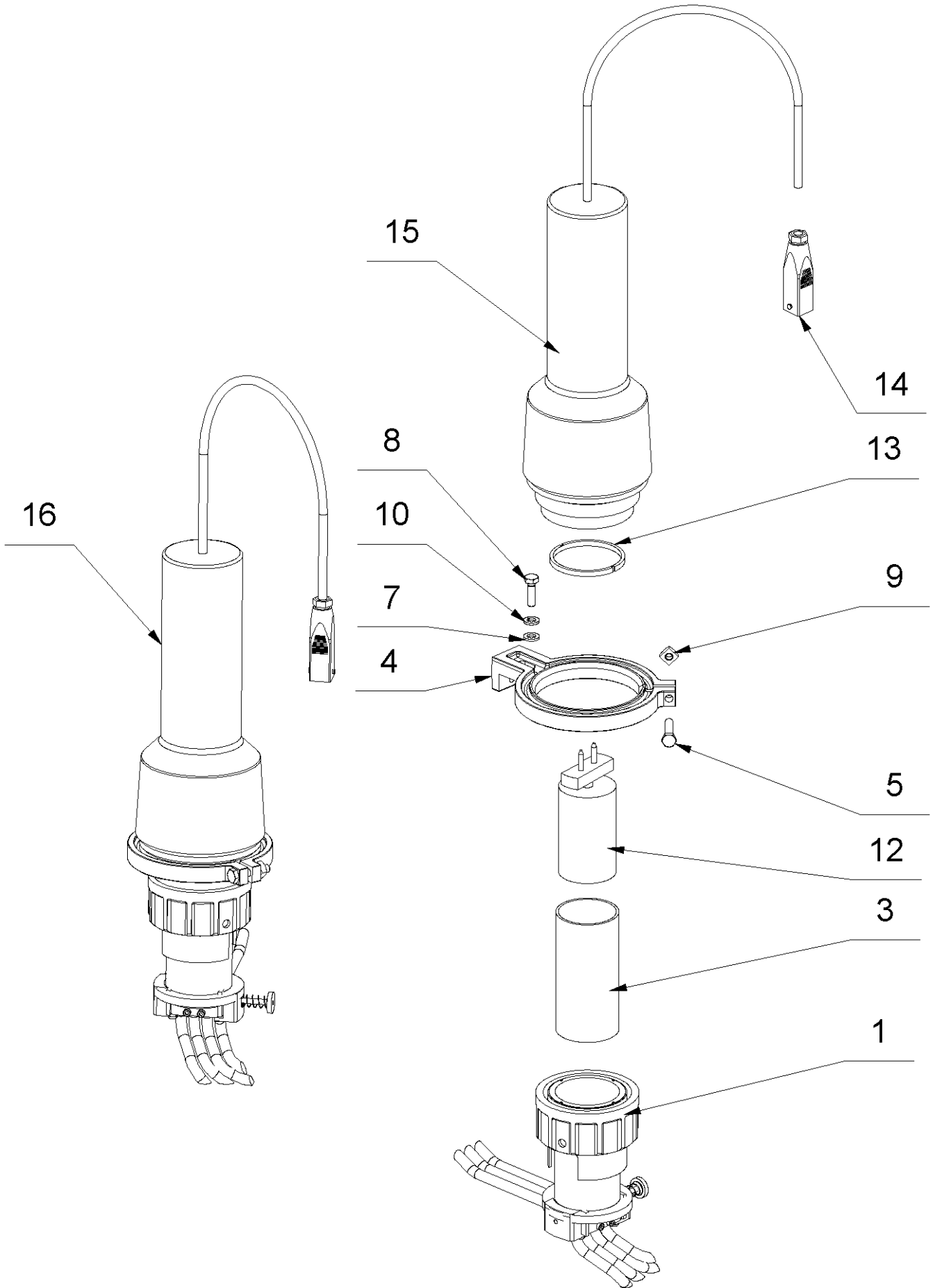
5 Wall switch off



5 Wall switch off

Item no.	Article no.	Description	Quantity
1	017962	Lever SAM 2 f.Abhebevorrichtung	1
2	015516	Rolls SAM 2	1
3	014835	Washer 6,4x30x1,25 n.DIN 522	2
4	017553	Lens head screw M6x12	1
5	014730	Cylinder head screw M 6x20 DIN 912	1
6	017538	Ball bearing DIN625-626 6x19x6 2RS	2
7	017558	Lens head screw M 6x25	1
8	017722	Leg spring SAM 2	1
9	017728	cap nut M 6 DIN 986	1
10	017978	distance bushing SAM 2 Abhebevorr.	1
11	018076	Shim washer 6x12x0,2 DIN 988	3

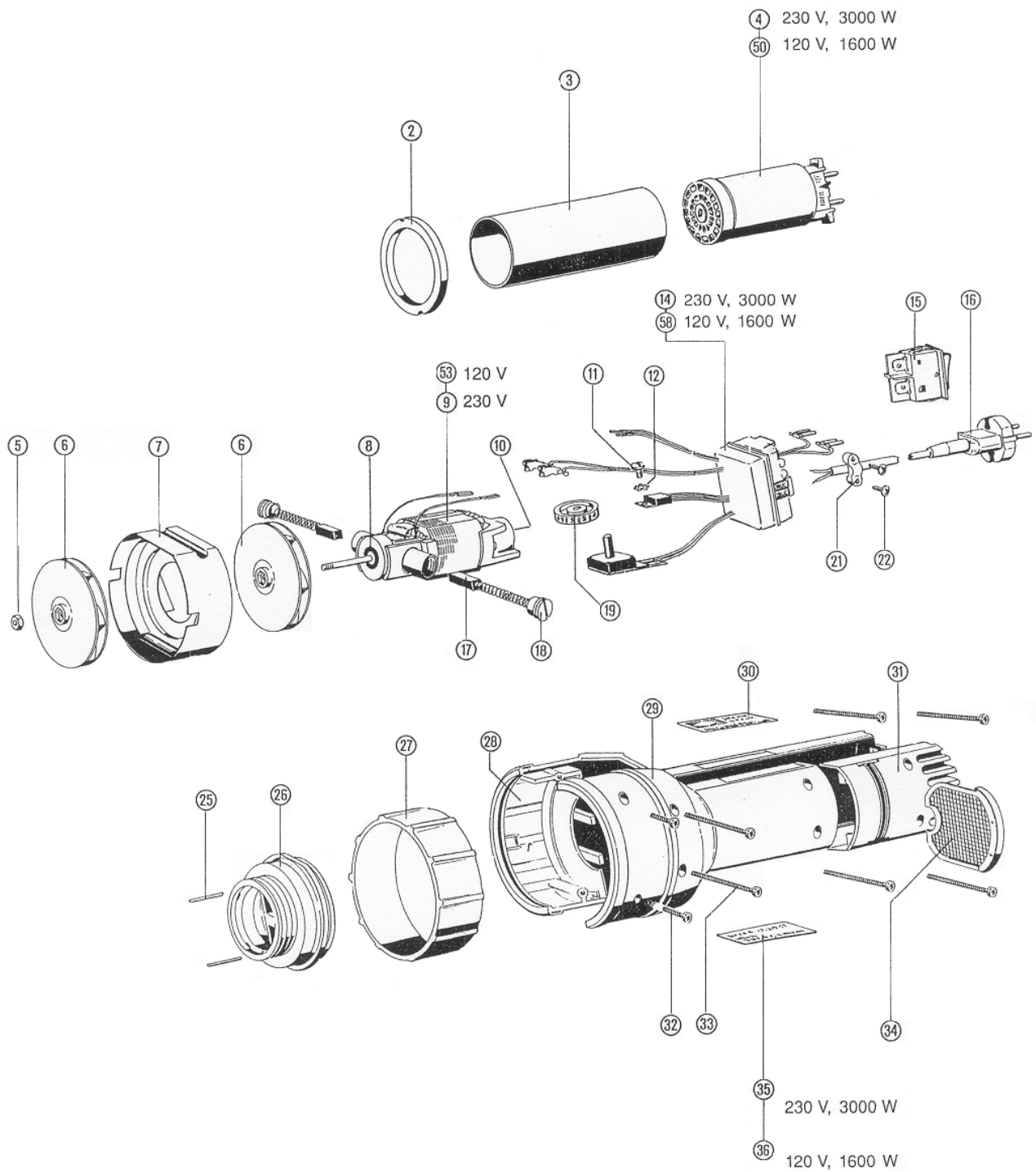
6 Heater til 2021



6 Heater til 2021

Item no.	Article no.	Description	Quantity
1	014197	Welding gun top SAM 2	1
3	019289	Insulating tube SAM 2 f.heating element	1
4	015286	Bracket SAM 2	1
5	014773	Hexagonal screw M 6x 30 DIN933	1
6	017576	Burner 120V SAM 2/50-60Hz	1
7	014827	Washer M6 DIN 125 A	1
8	014771	Hexagonal screw M 6x 20 DIN 933	1
9	014819	Square nut M6/557	1
10	014843	Spring washer 6 DIN 127 B	1
11	018515	Heating element 115V 1600W SAM 2	1
12	013480	Heating element, 3.0 KW	1
13	017729	Insulated disc SAM 2	1
14	017635	Plug with traction relief SAM 2	1
15	015295	Hot air device 230V SAM2 SEE 164518	1
16		Heater compl. see 164518	1

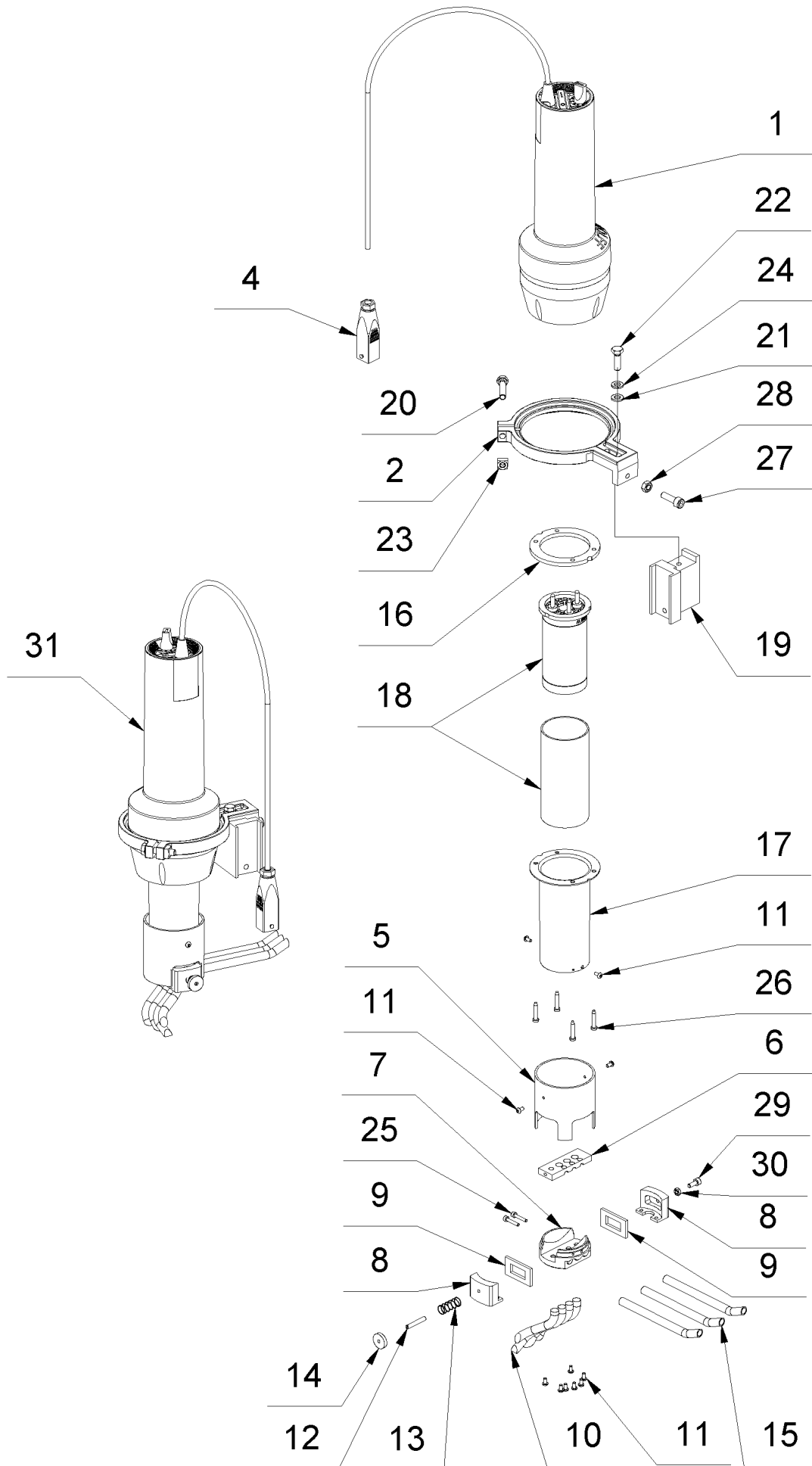
15 Hot air device 230V SAM2 SEE 164518



15 Hot air device 230V SAM2 SEE 164518

Item no.	Article no.	Description
2	017729	Grummet
3	019289	Insulating tube
4	013480	Heating element
5		Hexagon nut
6	064776	cooling fan cpl. SAM 2
7	068052	fan housing SAM 2
8		Ball bearing
9	021274	Installation engine SAM 2
10		Ball bearing
11		Cylindrical screw
12		Belt pulley
14	017482	Elektronic K25.30 SAM 2 /230V
15	050873	Switch SAM 2
16		Electrical cord
17	017461	Carbon brush 230V+115VSAM 2
18		Screw
19	041882	Rotary button f.electronic control SAM 2
21		Ring bolt
22		Screw
25		Pin
26	021038	Housing cap f.burner SAM 2
27		Charge ring
28		Housing left
29		Housing right
30		Logo
31		Cover
32		Binding head
33		Binding head
34	079803	Sieve SAM 2
35		Type plate
36		Type plate
50	018515	Heating element 115V 1600W SAM 2
53		Motor
58	071015	Elektronic K25.16 SAM 2 /120V

7 Heater from 2022



7 Heater from 2022

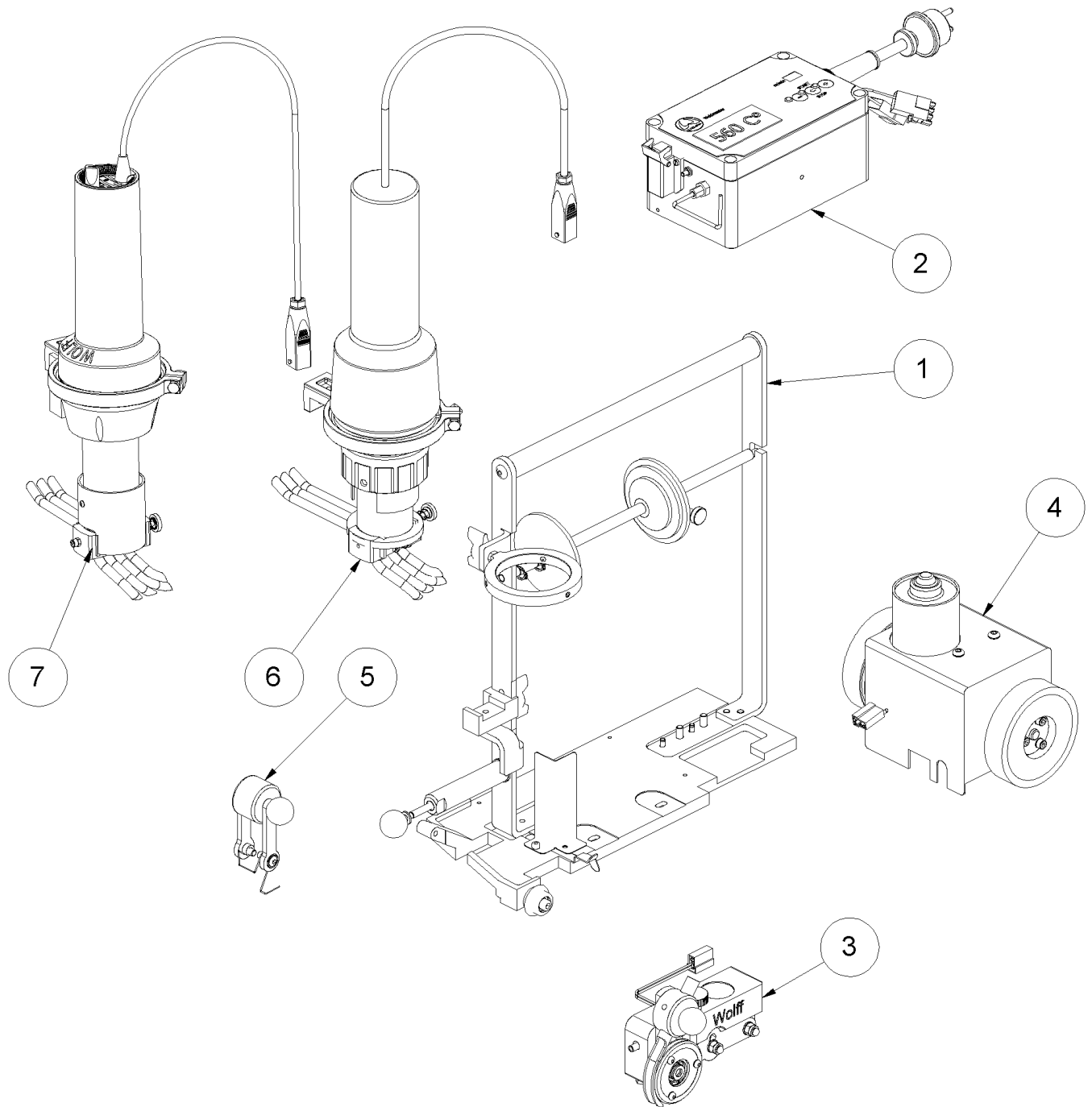
Item no.	Article no.	Description	Quantity
1	163960	Hot air device basic Phoenix 3400 230V	1
2	164448	Support arm Phoenix Weldmaster 1.0	1
4	017635	Plug with traction relief SAM 2	1
5	017595	Protective pipe SAM 2	1
6	017941	Slider SAM 2	1
7	164447	Slider housing Phoenix Weldmaster 1.0	1
8	017963	Tight housing SAM 2	2
9	017917	Sealing SAM 2	2
10	015293	Welding nozzle SAM 2	1
11	017555	Lens head screw M3x6	11
12	017981	Screw M 4 SAM 2	1
13	060822	pressure spring temperature	1
14	017707	Knurled nut M 4 DIN 467 vzkt	1
15	017965	Nozzle to deflect SAM 2	3
16	163963	Gasket Phoenix 3400	1
17	164445	Heating pipe Phoenix Weldmaster 1.0	1
18	163964	Heating element Phoenix 3400	1
19	164446	Support arm support Phoenix Weldmaster	1
20	014773	Hexagonal screw M 6x 30 DIN933	1
21	014827	Washer M6 DIN 125 A	1
22	014771	Hexagonal screw M 6x 20 DIN 933	1
23	014819	Square nut M6/557	1
24	014843	Spring washer 6 DIN 127 B	1
25	018290	Cylinder head screw M3x16 DIN 912	2
26	164443	Plastic screw Ø3,5x19	4
27	014730	Cylinder head screw M 6x20 DIN 912	1
28	014809	Hexagon nut M6 DIN 934	1
29	014717	Cylinder head screw M4x10 DIN 912	1
30	017630	Hexagon nut M 4 DIN 934	1
31	164518	BG Phoenix heater 230V Weldmaster 1.0	1

8 Circuit diagram

9 Accessories

Item no.	Article no.	Description	Quantity
1	015284	Carrying case 500x235x435 SAM 2	1
2	015683	Cleaning brush, brass	1
3	056293	Technical instructions Weldmaster 3-sp	1
4	013480	Heating element, 3.0 KW	1

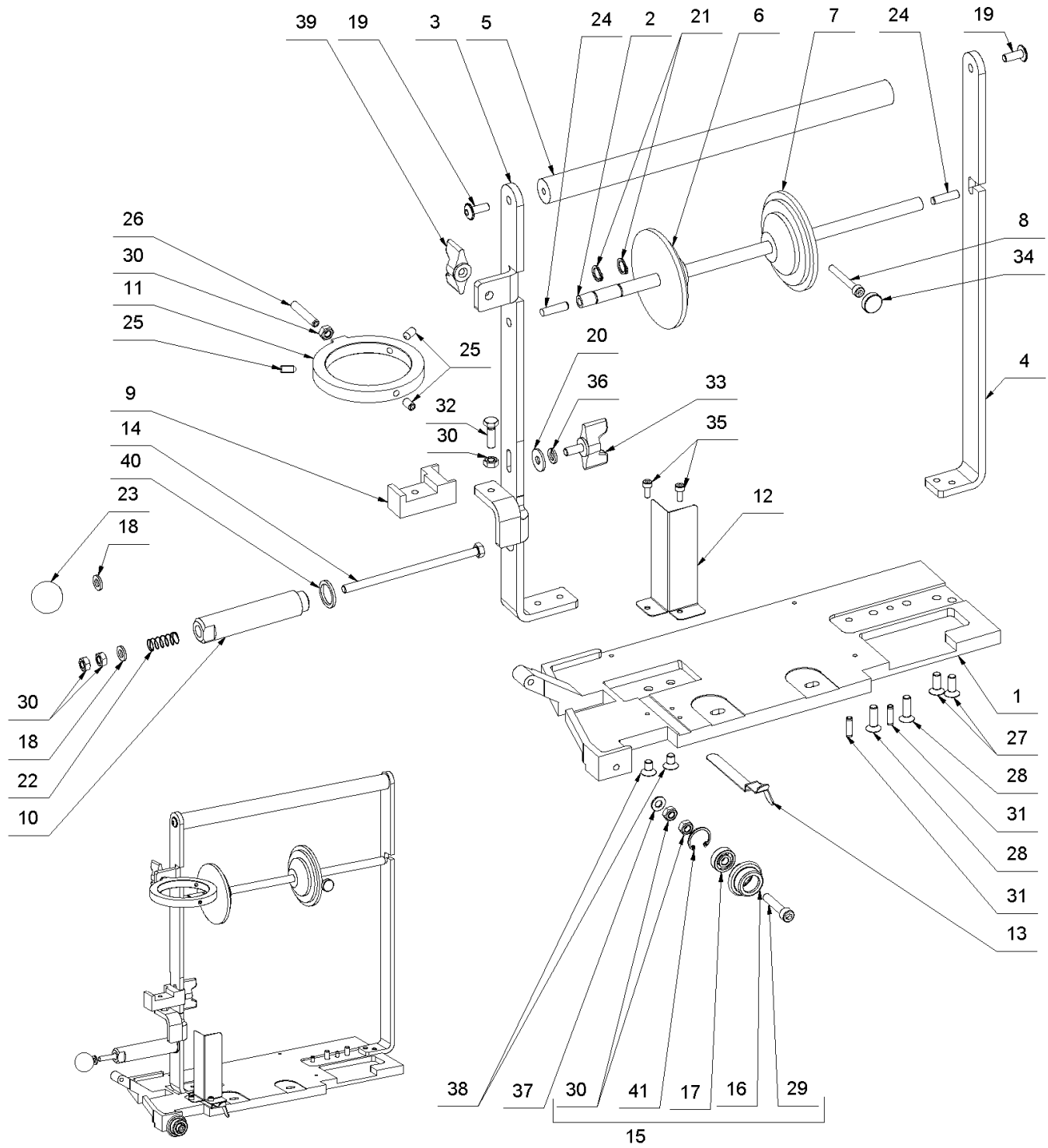
2 Weldmaster (0001/2009-0113/2011)



2 Weldmaster (0001/2009-0113/2011)

Item no.	Article no.	Description
1	02_01_056255	Basic plate
2	02_02_056392	Control electronics
3	01_03_013479	Housing block
4	01_04_013479	Drive Motor
5	02_05_056255	Wall switch off
6	02_06_056255	Heater til 2021
7	02_06_164518	Heater from 2022
8	01_08_056255	Circuit diagram
9	01_09_056255	Accesories

1 Basic plate



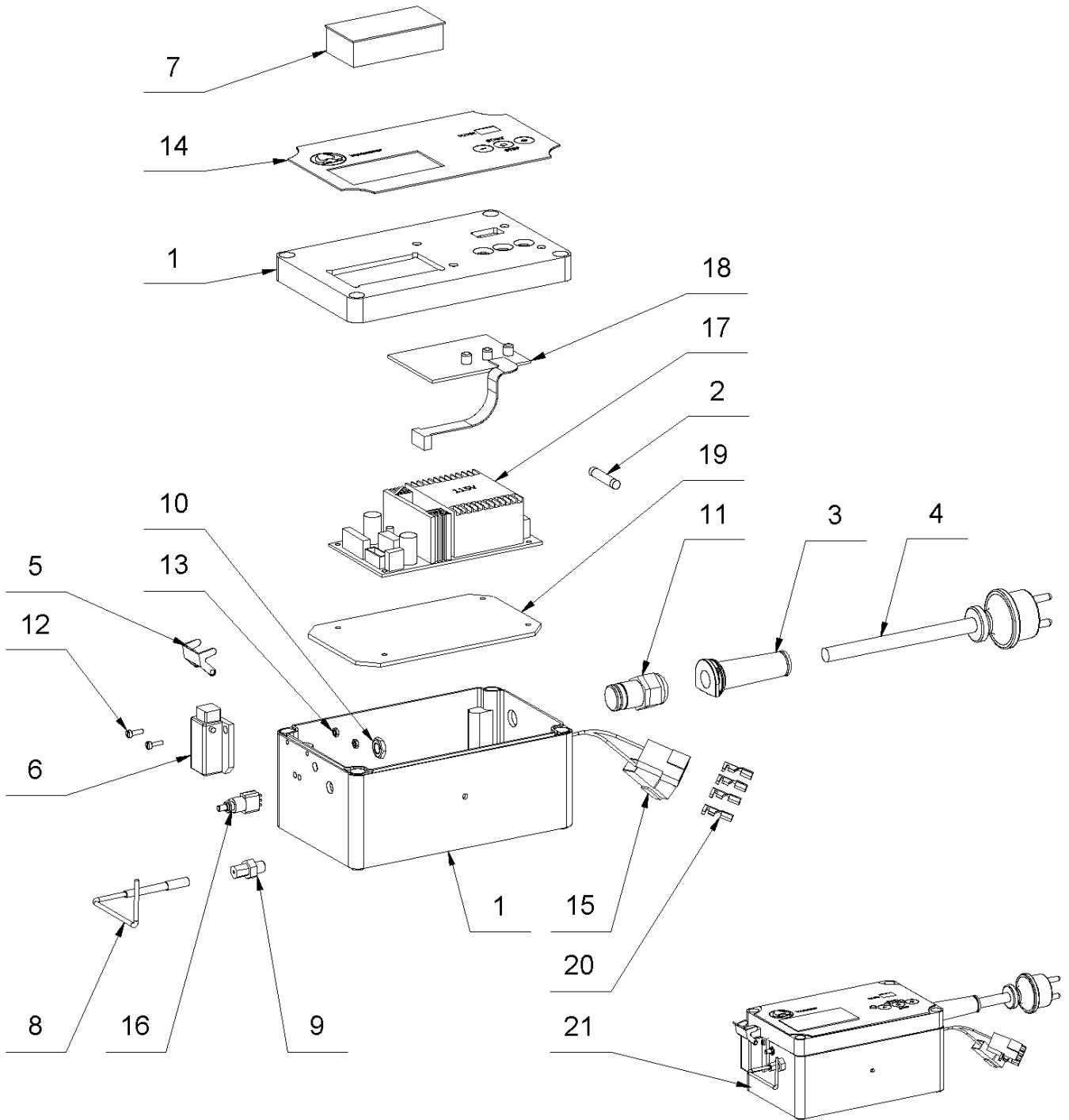
1 Basic plate

Item no.	Article no.	Description	Quantity
1	015285	Base plate SAM 2	1
2	015287	Axle for welding rod	1
3	017860	Shackle up front SAM 2	1
4	015288	Strap back SAM 2	1
5	017886	Axle f.shackle SAM 2	1
6	017421	Roller holder rigid	1
7	015289	Roller holder moveable SAM 2	1
8	014723	Cylinder head screw M5x40 DIN 912	1
9	017940	Bracket support SAM 2	1
10	056238	switch bush Weldmaster	1
11	017934	Supporting ring SAM 2	1
12	017615	Pressing plate SAM 2	1
13	015300	Nozzle cover SAM 2	1
14	056250	Hexagonal screw M 6x120 DIN 933	1
15	015040	Guide roller compl	1
16	015258	Guiding roll SM1200	1
17	017538	Ball bearing DIN625-626 6x19x6 2RS	1
18	014827	Washer M6 DIN 125 A	2
19	017552	Lens head screw M 6x16 ISO 7380	2
20	017724	Washer DIN 9021 6,4x18x1,6	1
21	017694	Safety washer A10 DIN 471	2
22	014894	Pressure spring VD-090E / 9x23,90x0,55	1
23	017543	Ball Handle 25mm M6 black	1
24	017717	Cylindrical pin 6x 24 DIN 6325	2
25	018196	Headless pin M 6x12 DIN 915	3
26	017524	Headless pin M6x40 DIN 913	1
27	014756	Countersunk screw M6x16 DIN 7991 10.9	2
28	014757	Countersunk screw M6x20 DIN 7991 10.9	2
29	017678	Cylinder head screw M6x30 DIN 912	1
30	014809	Hexagon nut M6 DIN 934	6
31	014889	Spiral pin 5x16/7374	2
32	014771	Hexagonal screw M 6x 20 DIN 933	1
33	055512	Screw M 6x15	1
34	014802	Thumb screw M 5	1

1 Basic plate

Item no.	Article no.	Description	Quantity
35	014717	Cylinder head screw M4x10 DIN 912	2
36	014843	Spring washer 6 DIN 127 B	1
37	017736	shim ring 6x12x1 DIN 988	1
38	017726	Countersunk screw M6x10 DIN 7991 10.9	2
39	047796	Wing nut M6 plastic	1
40	014836	Sealing ring 22x17x2 SAM 2	1
41	017693	Safety washer I19 DIN 472	1

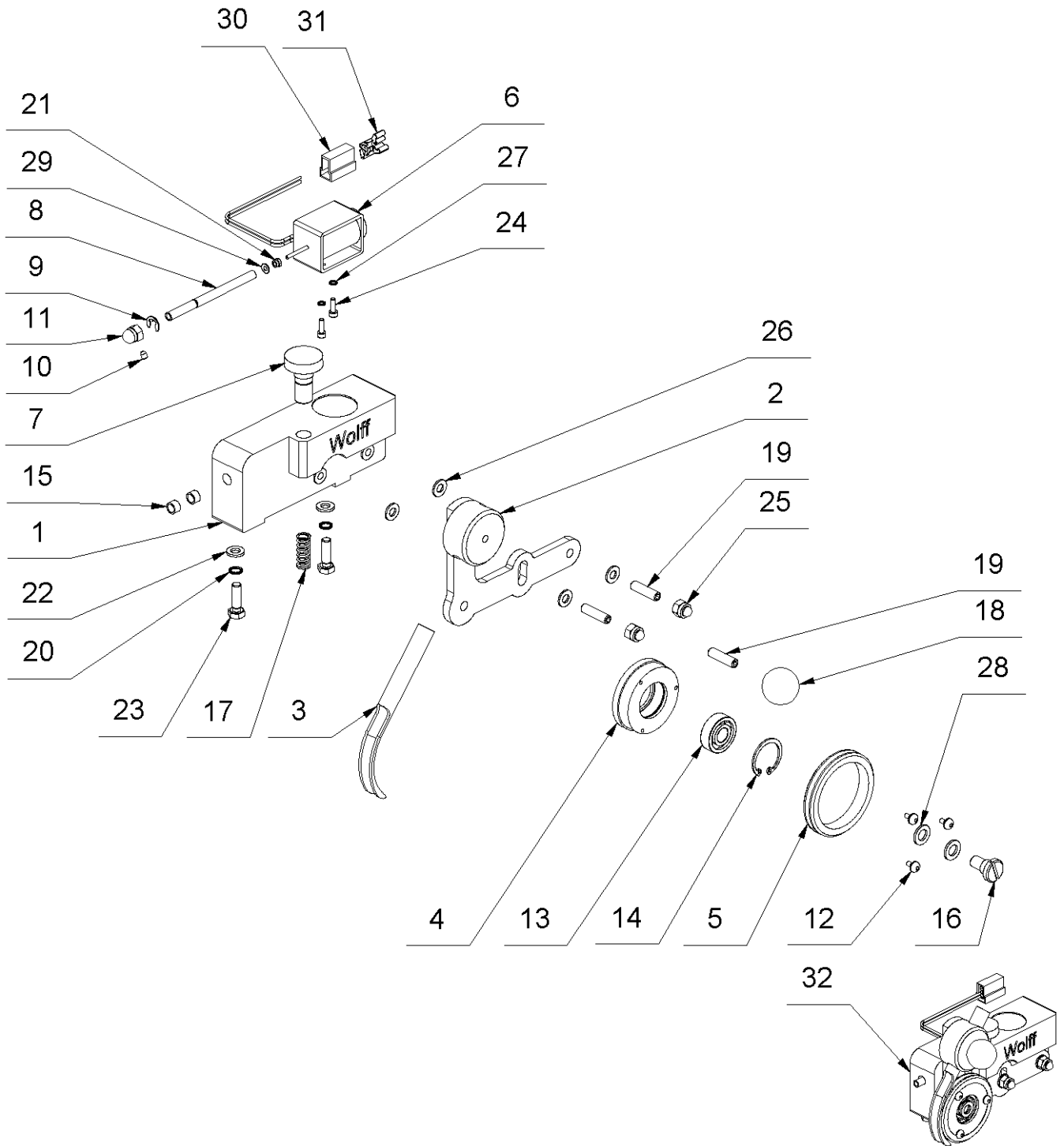
2 Control electronics



2 Control electronics

Item no.	Article no.	Description	Quantity
1	055603	Switch housing Weldmaster	1
2	061532	fuse 1A SAM 2	1
3	017664	Protective rubber sleeve	1
4	014713	Cord 2x1,5 ² x4m black w.nonrewireableplug	1
5	017795	Retaining Clip SAM 2	1
6	017560	Attachment coupling SAM 2	1
7	055492	Temperature display WeldmasterSEE 10438	1
8	056751	temp.measuring needle cpl. Weldmaster	1
9	055496	fitting M8x1 Weldmaster	1
10	055513	Hexagon nut M8x1 DIN 936	1
11	014992	Protective cut-out switch	1
12	018246	Cylinder head screw M3x10 DIN 84	2
13	017629	Hexagon nut M3 DIN 934	2
14	055491	Keypad Weldmaster	1
15	017644	Housing for flat connector	2
16	014983	Calipers SAM 2	1
17	074581	Platine cpl. 230V Weldmaster	1
18	056009	Platine Electronics Weldm./SAM2	1
19	017930	Mounting plate SAM 2	1
20	017789	Flat plug sleeve B638	4
21	056392	Electronics cpl.230V Weldmaster	1
o.Abb.	079056	Plug 3-pol. 230V DK	1

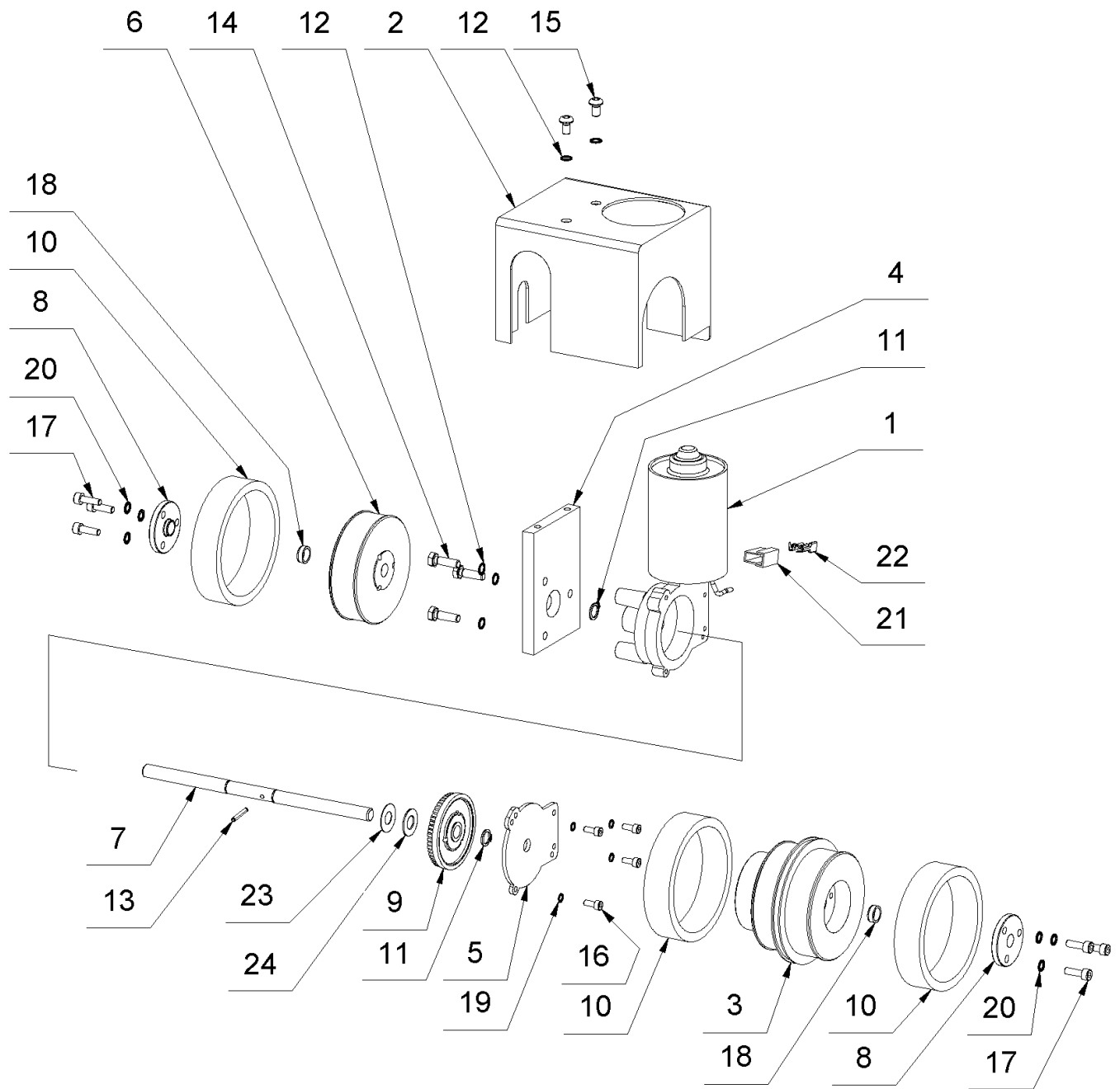
3 Housing block



3 Housing block

Item no.	Article no.	Description	Quantity
1	017880	Housing SAM 2	1
2	017882	Rocker SAM 2	1
3	015291	Welding rod feeding tube SAM 2	1
4	017933	Rim for welding wheel SAM 2	1
5	015282	Pressure roller SAM 2	1
6	015296	Shifting magnet SAM 2	1
7	017973	Knurled bolt M12x20	1
8	017972	Shifting rod SAM 2	1
9	017714	Safety washer d5 DIN 6799	1
10	064786	Thread pin M 4x 4 DIN 916	1
11	017986	cap nut SAM 2	1
12	017555	Lens head screw M3x6	3
13	017001	Ball Bearing 6000 2RSH	1
14	017692	Safety washer I26 / DIN 472	1
15	017759	Bushing 0605	2
16	017716	Flat head screw M8x 6 DIN 923	1
17	017751	Pressure spring VD-198 / 9,25x33x1,25	1
18	017543	Ball Handle 25mm M6 black	1
19	017683	Headless pin M 6x25 DIN 914	3
20	014859	Schnorr washer M6	2
21	017768	El.Stop-Nut M3 DIN 985	1
22	014827	Washer M6 DIN 125 A	2
23	014771	Hexagonal screw M 6x 20 DIN 933	2
24	014715	Cylinder head screw M3x10 DIN 912	2
25	017728	cap nut M 6 DIN 986	2
26	017736	shim ring 6x12x1 DIN 988	4
27	017772	Schnorr washer M3	2
28	017648	shim ring 8x14x1,5 DIN 988	2
29	018223	disc M 3 DIN 125B vzkt	1
30	017668	Plug sleeve housing	1
31	017789	Flat plug sleeve B638	2

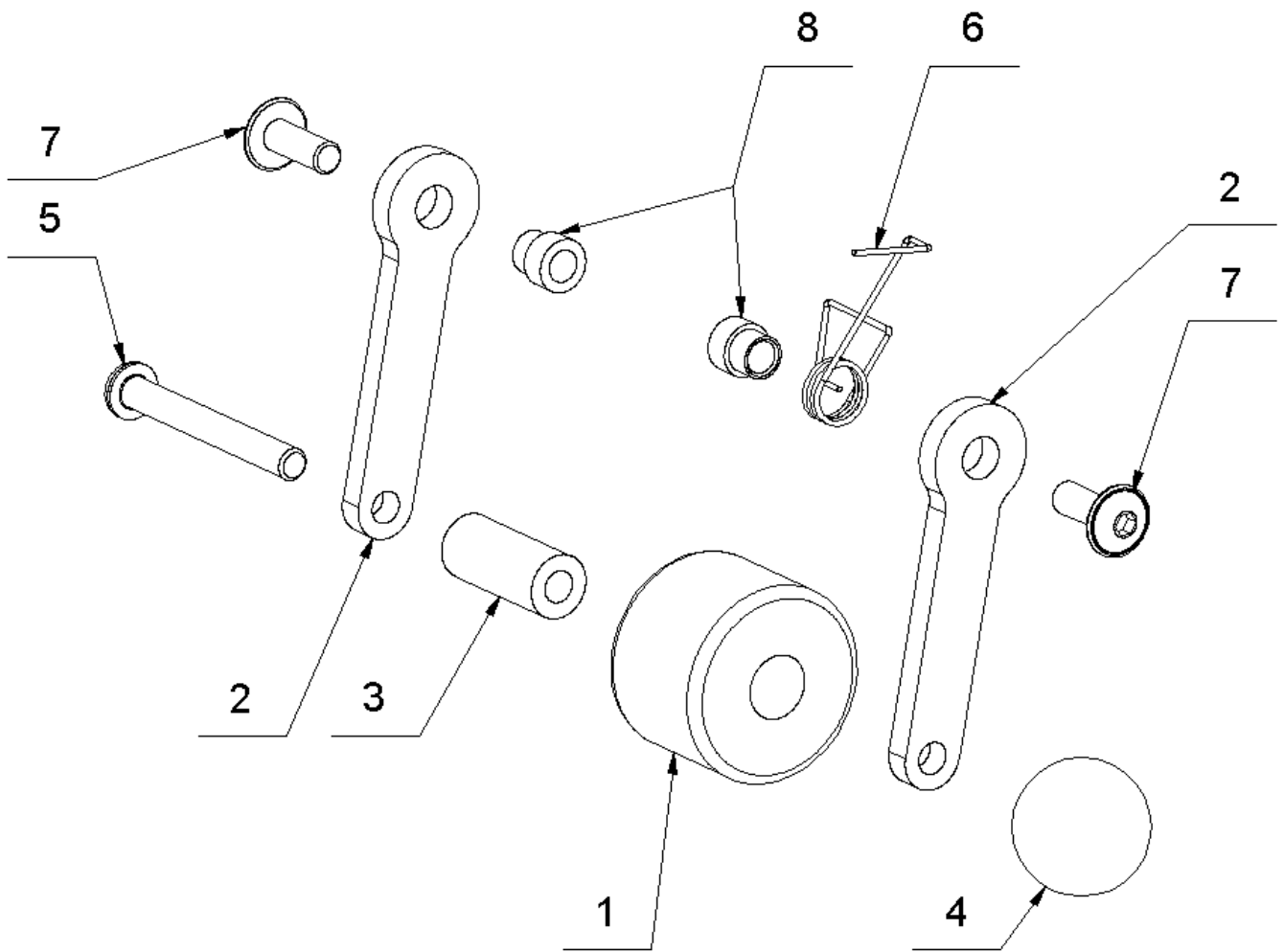
4 Drive Motor



4 Drive Motor

Item no.	Article no.	Description	Quantity
1	082073	Motor 230V+115V SAM2 ab08/16 kompl.	1
2	017853	Axle housing SAM 2	1
3	017833	Driving wheel SAM 2	1
4	017903	Ball bearing SAM 2	1
5	015290	Gear cover SAM 2	1
6	017849	Driving wheel, narrow SAM 2	1
7	015292	Axle Drive shaft SAM 2	1
8	017942	Tension flange SAM 2	2
9	082073	Motor 230V+115V SAM2 ab08/16 kompl.	1
10	014930	Rubber band d62xd82x22 SAM 2	3
11	017694	Safety washer A10 DIN 471	2
12	014859	Schnorr washer M6	5
13	017775	spiral spring pin 3x20 DIN 7343	1
14	014771	Hexagonal screw M 6x 20 DIN 933	3
15	014799	Lens head screw M6x10	2
16	014717	Cylinder head screw M4x10 DIN 912	4
17	017610	Cylinder head screw M5x16 DIN 912	6
18	017774	Clamping sleeve 10x13 SAM 2	2
19	016961	Snorr washer M4	4
20	014858	Schnorr washer M5	6
21	017668	Plug sleeve housing	1
22	017789	Flat plug sleeve B638	2
23	014840	Spacer 10x22x0.5	1
24	014844	Spring washer B M10 DIN 137	1

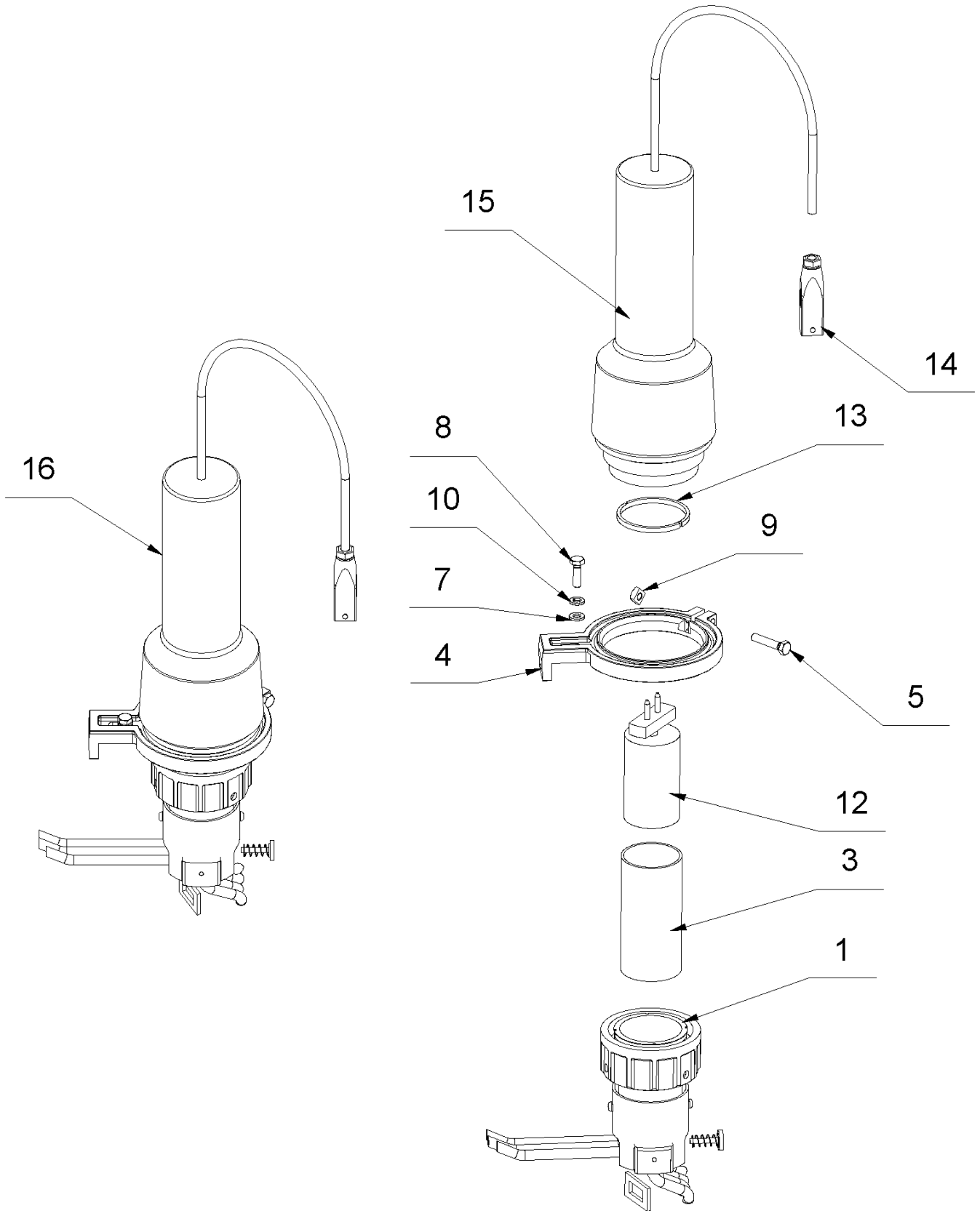
5 Wall switch off



5 Wall switch off

Item no.	Article no.	Description	Quantity
1	056236	reel Weldmaster	1
2	056235	lever Weldmaster	2
3	056237	Bague p.poulie Weldmaster	1
4	017543	Ball Handle 25mm M6 black	1
5	056251	Lens head screw M6x50 ISO 7380	1
6	056621	leg spring Weldmaster	2
7	017552	Lens head screw M 6x16 ISO 7380	2
8	017978	distance bushing SAM 2 Abhebevorr.	2

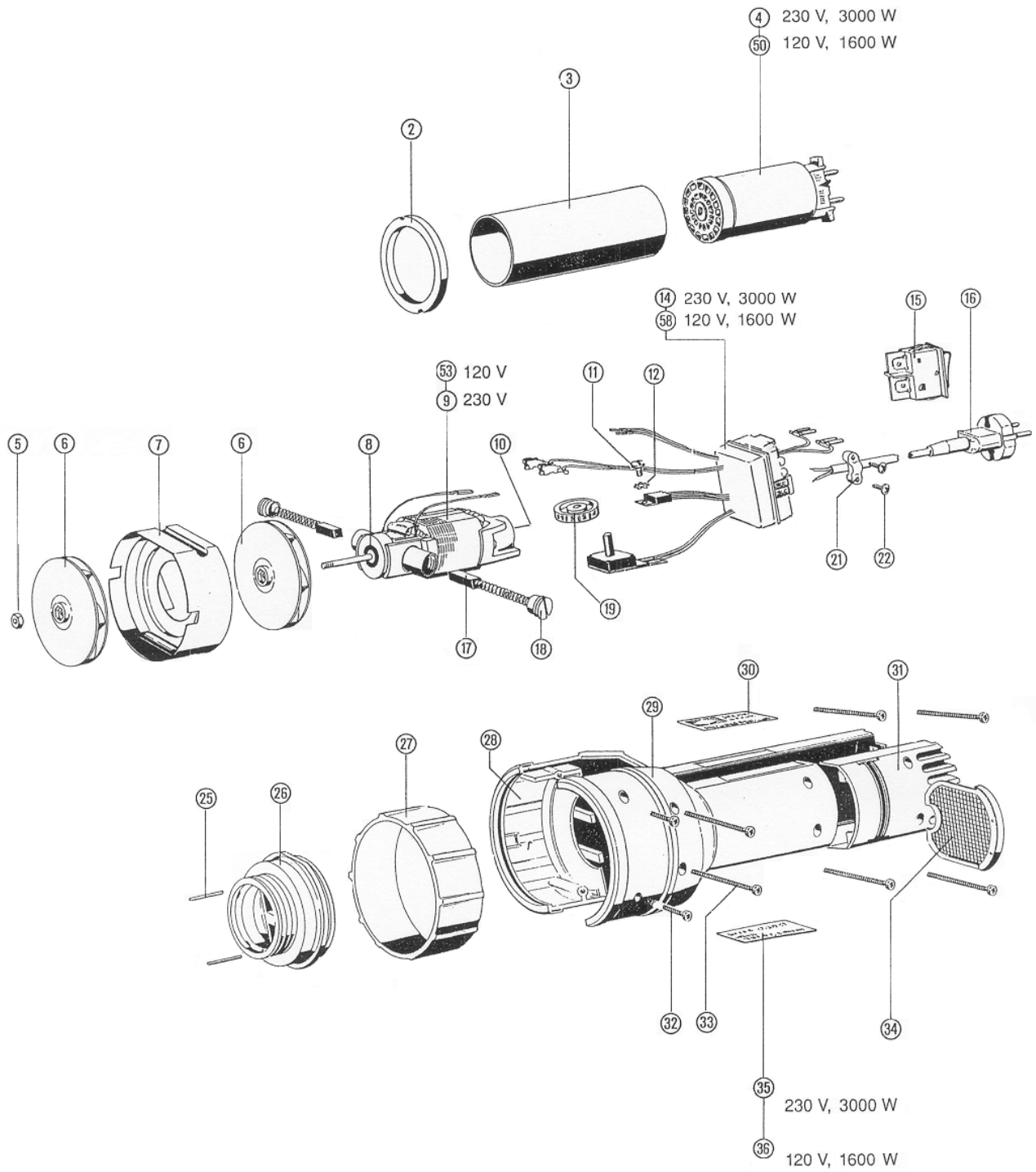
6 Heater til 2021



6 Heater til 2021

Item no.	Article no.	Description	Quantity
1	055498	Welding gun top w.temp.displayWeldmaster	1
3	019289	Insulating tube SAM 2 f.heating element	1
4	015286	Bracket SAM 2	1
5	014773	Hexagonal screw M 6x 30 DIN933	1
6	017576	Burner 120V SAM 2/50-60Hz	1
7	014827	Washer M6 DIN 125 A	1
8	014771	Hexagonal screw M 6x 20 DIN 933	1
9	014819	Square nut M6/557	1
10	014843	Spring washer 6 DIN 127 B	1
11	018515	Heating element 115V 1600W SAM 2	1
12	013480	Heating element, 3.0 KW	1
13	017729	Insulated disc SAM 2	1
14	017635	Plug with traction relief SAM 2	1
15	015295	Hot air device 230V SAM2 SEE 164518	1
16		Heater compl. see 164518	1

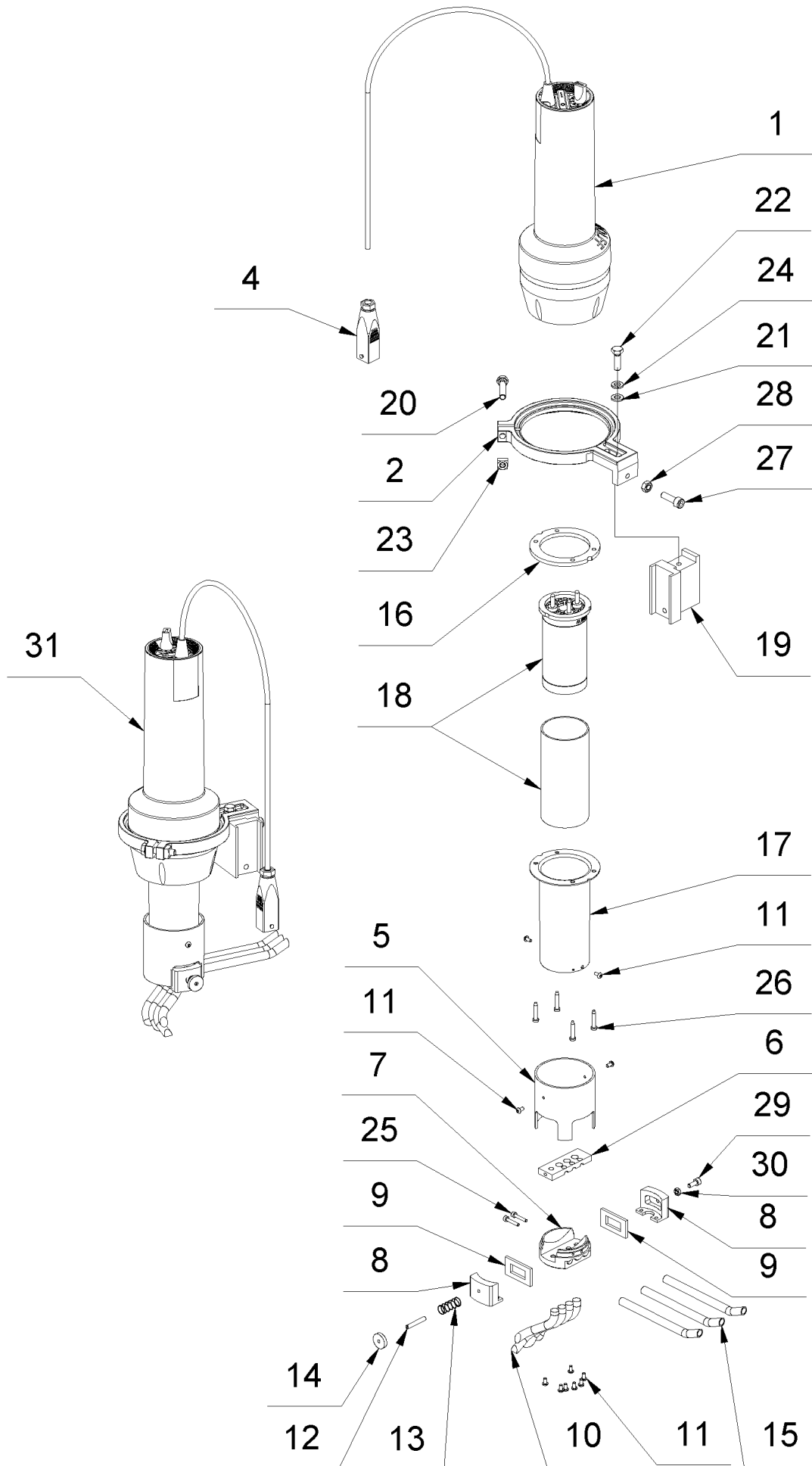
15 Hot air device 230V SAM2 SEE 164518



15 Hot air device 230V SAM2 SEE 164518

Item no.	Article no.	Description
2	017729	Grummet
3	019289	Insulating tube
4	013480	Heating element
5		Hexagon nut
6	064776	cooling fan cpl. SAM 2
7	068052	fan housing SAM 2
8		Ball bearing
9	021274	Installation engine SAM 2
10		Ball bearing
11		Cylindrical screw
12		Belt pulley
14	017482	Elektronic K25.30 SAM 2 /230V
15	050873	Switch SAM 2
16		Electrical cord
17	017461	Carbon brush 230V+115VSAM 2
18		Screw
19	041882	Rotary button f.electronic control SAM 2
21		Ring bolt
22		Screw
25		Pin
26	021038	Housing cap f.burner SAM 2
27		Charge ring
28		Housing left
29		Housing right
30		Logo
31		Cover
32		Binding head
33		Binding head
34	079803	Sieve SAM 2
35		Type plate
36		Type plate
50	018515	Heating element 115V 1600W SAM 2
53		Motor
58	071015	Elektronic K25.16 SAM 2 /120V

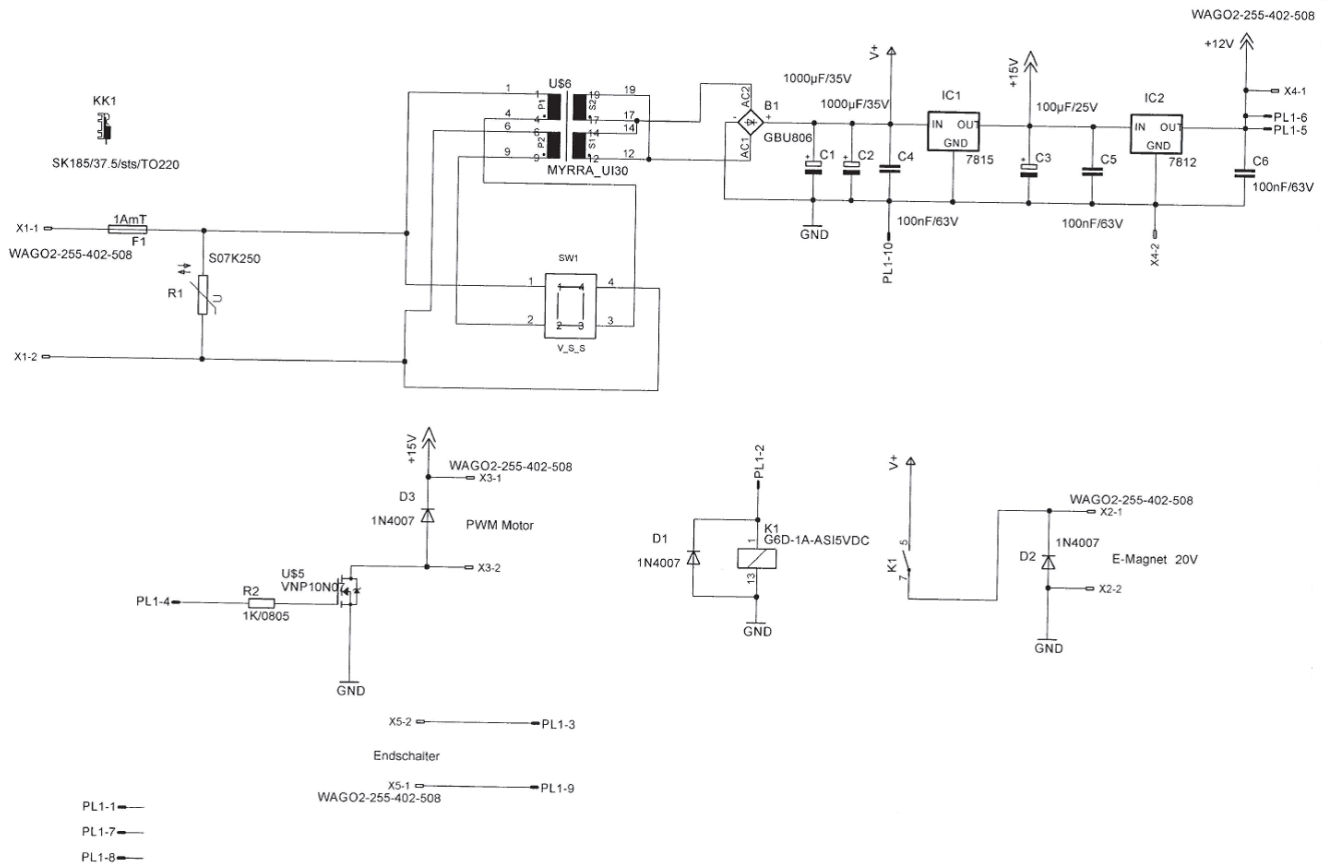
7 Heater from 2022



7 Heater from 2022

Item no.	Article no.	Description	Quantity
1	163960	Hot air device basic Phoenix 3400 230V	1
2	164448	Support arm Phoenix Weldmaster 1.0	1
4	017635	Plug with traction relief SAM 2	1
5	017595	Protective pipe SAM 2	1
6	017941	Slider SAM 2	1
7	164447	Slider housing Phoenix Weldmaster 1.0	1
8	017963	Tight housing SAM 2	2
9	017917	Sealing SAM 2	2
10	015293	Welding nozzle SAM 2	1
11	017555	Lens head screw M3x6	11
12	017981	Screw M 4 SAM 2	1
13	060822	pressure spring temperature	1
14	017707	Knurled nut M 4 DIN 467 vzkt	1
15	017965	Nozzle to deflect SAM 2	3
16	163963	Gasket Phoenix 3400	1
17	164445	Heating pipe Phoenix Weldmaster 1.0	1
18	163964	Heating element Phoenix 3400	1
19	164446	Support arm support Phoenix Weldmaster	1
20	014773	Hexagonal screw M 6x 30 DIN933	1
21	014827	Washer M6 DIN 125 A	1
22	014771	Hexagonal screw M 6x 20 DIN 933	1
23	014819	Square nut M6/557	1
24	014843	Spring washer 6 DIN 127 B	1
25	018290	Cylinder head screw M3x16 DIN 912	2
26	164443	Plastic screw Ø3,5x19	4
27	014730	Cylinder head screw M 6x20 DIN 912	1
28	014809	Hexagon nut M6 DIN 934	1
29	014717	Cylinder head screw M4x10 DIN 912	1
30	017630	Hexagon nut M 4 DIN 934	1
31	164518	BG Phoenix heater 230V Weldmaster 1.0	1

8 Circuit diagram

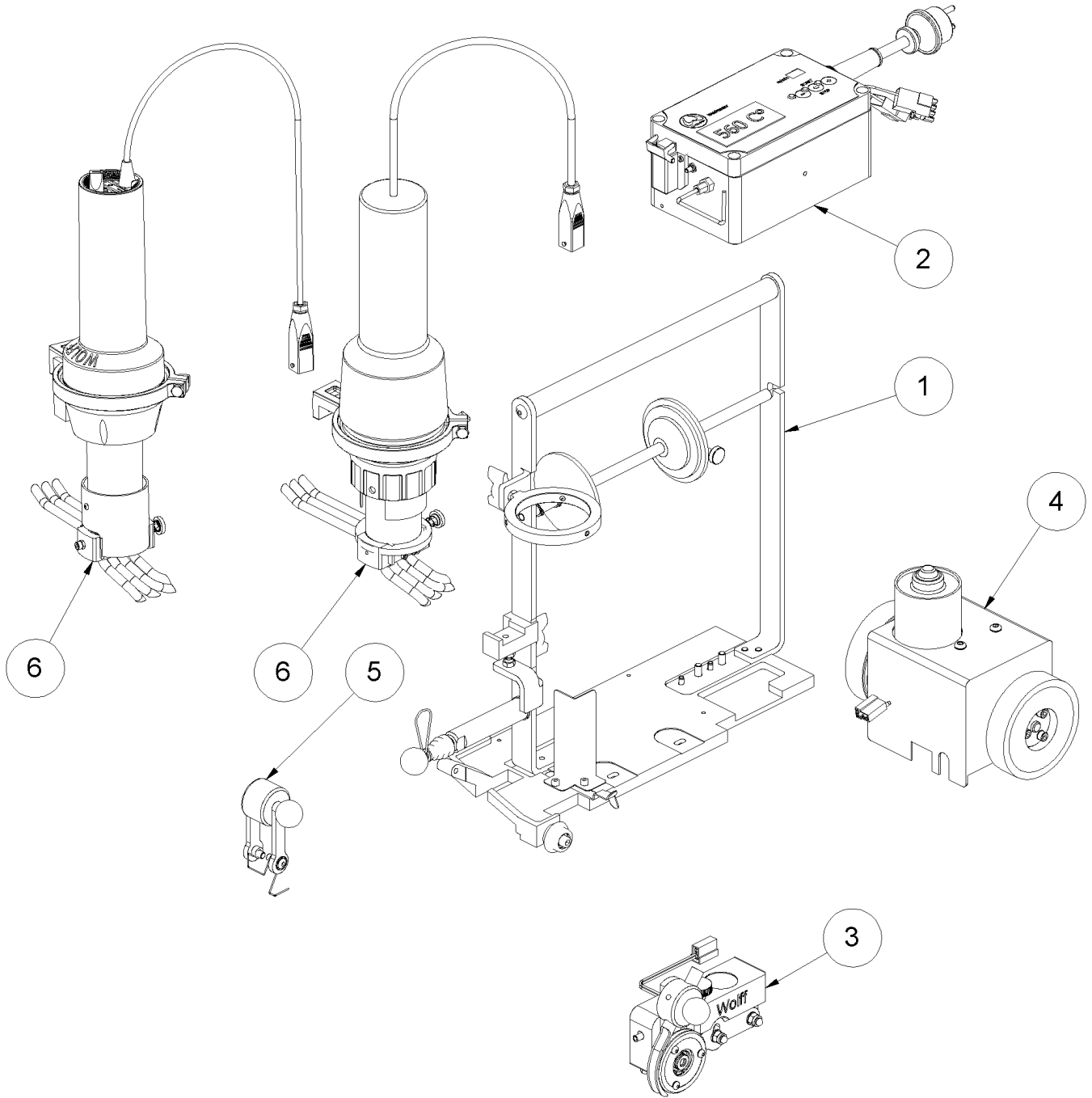


8 Circuit diagram

9 Accessories

Item no.	Article no.	Description	Quantity
1	015284	Carrying case 500x235x435 SAM 2	1
2	015683	Cleaning brush, brass	1
3	056293	Technical instructions Weldmaster 3-sp	1
4	013480	Heating element, 3.0 KW	1

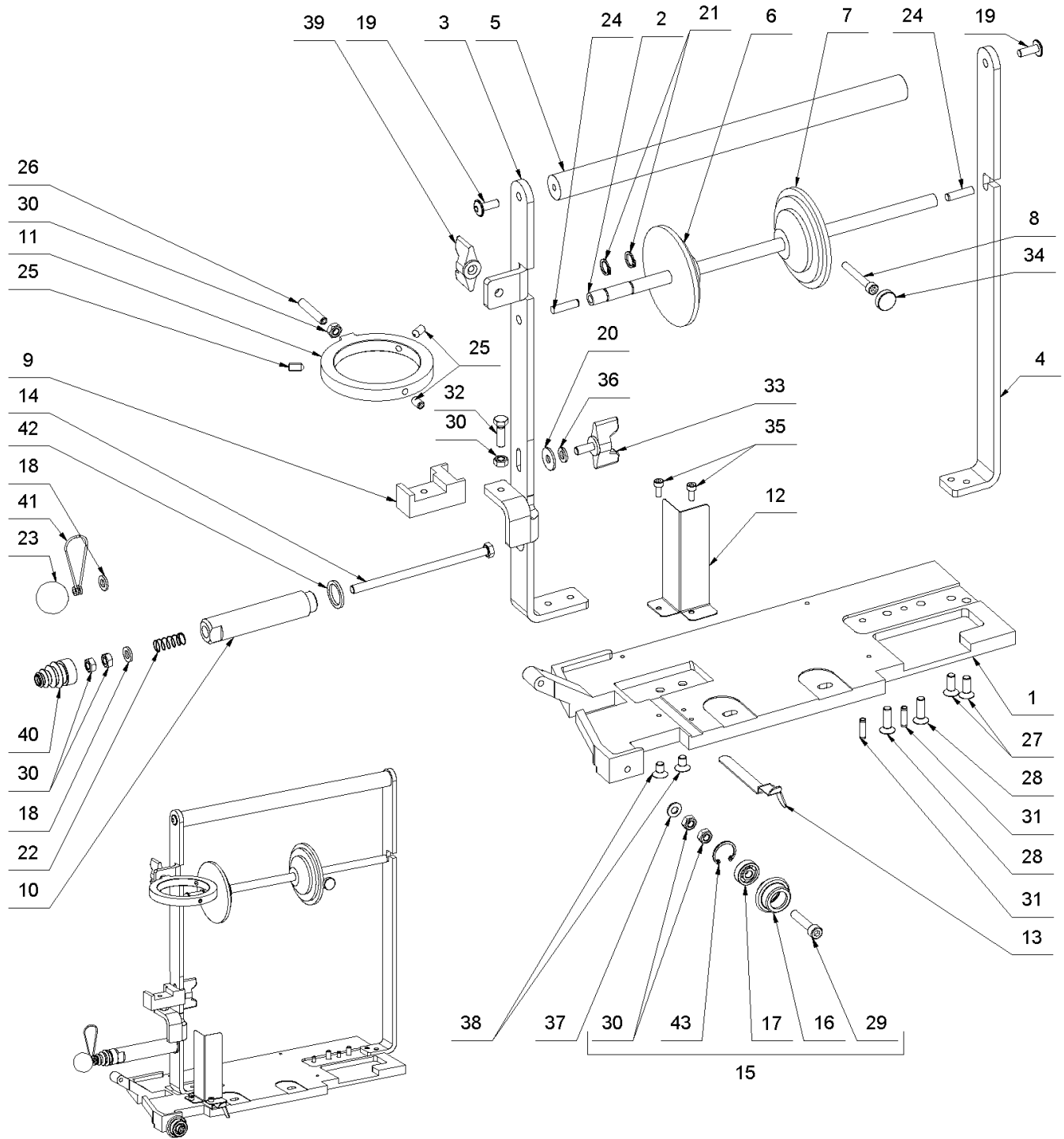
4 Weldmaster (0114/2011-0308/2014)



4 Weldmaster (0114/2011-0308/2014)

Item no.	Article no.	Description
1	04_01_056255	Basic plate
2	02_02_056392	Control electronics
3	01_03_013479	Housing block
4	01_04_013479	Drive Motor
5	02_05_056255	Wall switch off
6	02_06_056255	Heater til 2021
7	02_06_164518	Heater from 2022
8	01_08_056255	Circuit diagram
9	01_09_056255	Accesories

1 Basic plate



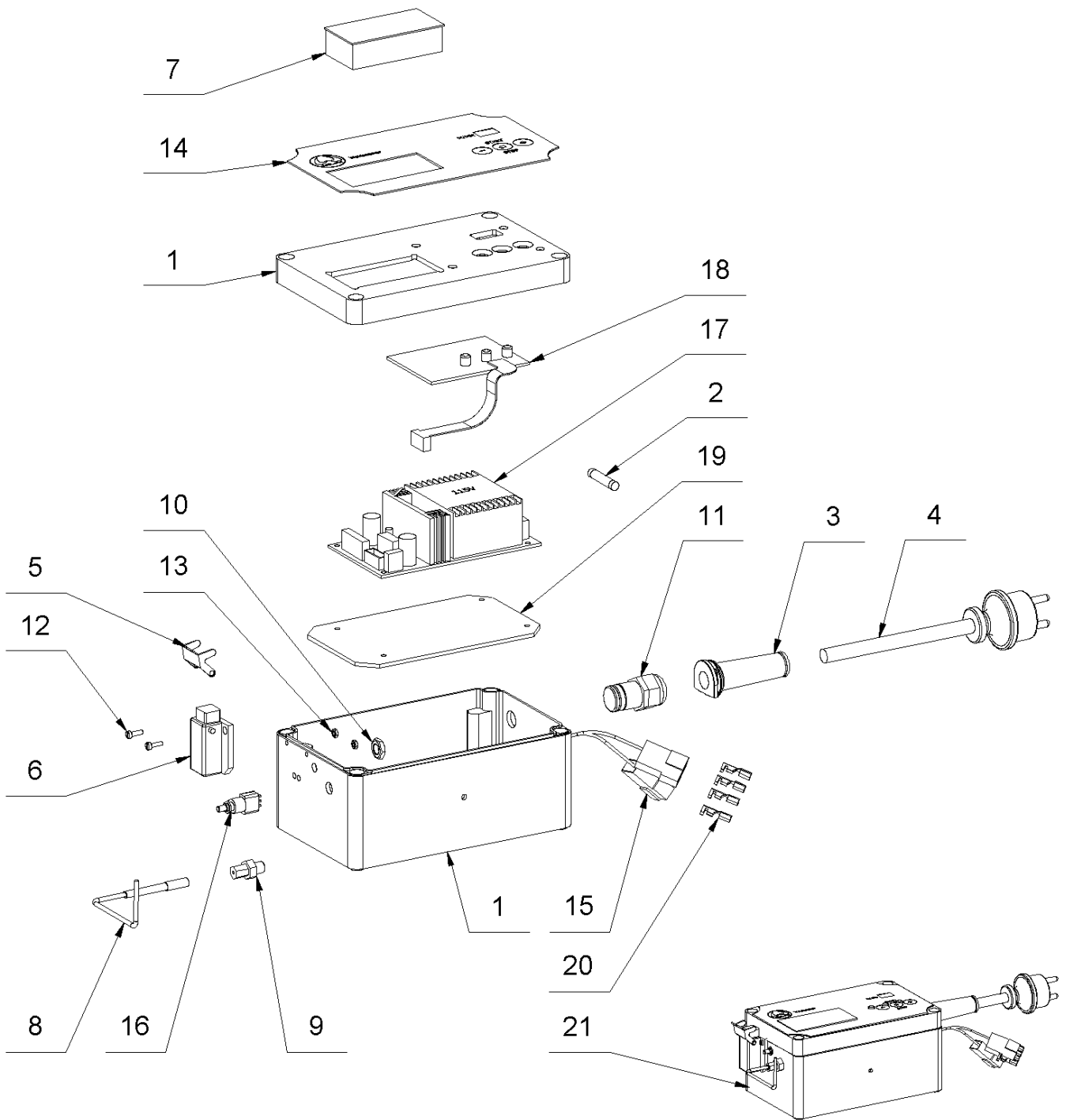
1 Basic plate

Item no.	Article no.	Description	Quantity
1	015285	Base plate SAM 2	1
2	015287	Axle for welding rod	1
3	017860	Shackle up front SAM 2	1
4	015288	Strap back SAM 2	1
5	017886	Axle f.shackle SAM 2	1
6	017421	Roller holder rigid	1
7	015289	Roller holder moveable SAM 2	1
8	014723	Cylinder head screw M5x40 DIN 912	1
9	017940	Bracket support SAM 2	1
10	056238	switch bush Weldmaster	1
11	017934	Supporting ring SAM 2	1
12	017615	Pressing plate SAM 2	1
13	015300	Nozzle cover SAM 2	1
14	056250	Hexagonal screw M 6x120 DIN 933	1
15	015040	Guide roller compl	1
16	015258	Guiding roll SM1200	1
17	017538	Ball bearing DIN625-626 6x19x6 2RS	1
18	014827	Washer M6 DIN 125 A	2
19	017552	Lens head screw M 6x16 ISO 7380	2
20	017724	Washer DIN 9021 6,4x18x1,6	1
21	017694	Safety washer A10 DIN 471	2
22	014894	Pressure spring VD-090E / 9x23,90x0,55	1
23	017543	Ball Handle 25mm M6 black	1
24	017717	Cylindrical pin 6x 24 DIN 6325	2
25	018196	Headless pin M 6x12 DIN 915	3
26	017524	Headless pin M6x40 DIN 913	1
27	014756	Countersunk screw M6x16 DIN 7991 10.9	2
28	014757	Countersunk screw M6x20 DIN 7991 10.9	2
29	017678	Cylinder head screw M6x30 DIN 912	1
30	014809	Hexagon nut M6 DIN 934	6
31	014889	Spiral pin 5x16/7374	2
32	014771	Hexagonal screw M 6x 20 DIN 933	1
33	055512	Screw M 6x15	1
34	014802	Thumb screw M 5	1

1 Basic plate

Item no.	Article no.	Description	Quantity
35	014717	Cylinder head screw M4x10 DIN 912	2
36	014843	Spring washer 6 DIN 127 B	1
37	017736	shim ring 6x12x1 DIN 988	1
38	017726	Countersunk screw M6x10 DIN 7991 10.9	2
39	047796	Wing nut M6 plastic	1
40	060722	Rubber gaiter Mambo Evo/Spider	1
41	060726	Tether Mambo Evo	1
42	014836	Sealing ring 22x17x2 SAM 2	1
43	017693	Safety washer I19 DIN 472	1

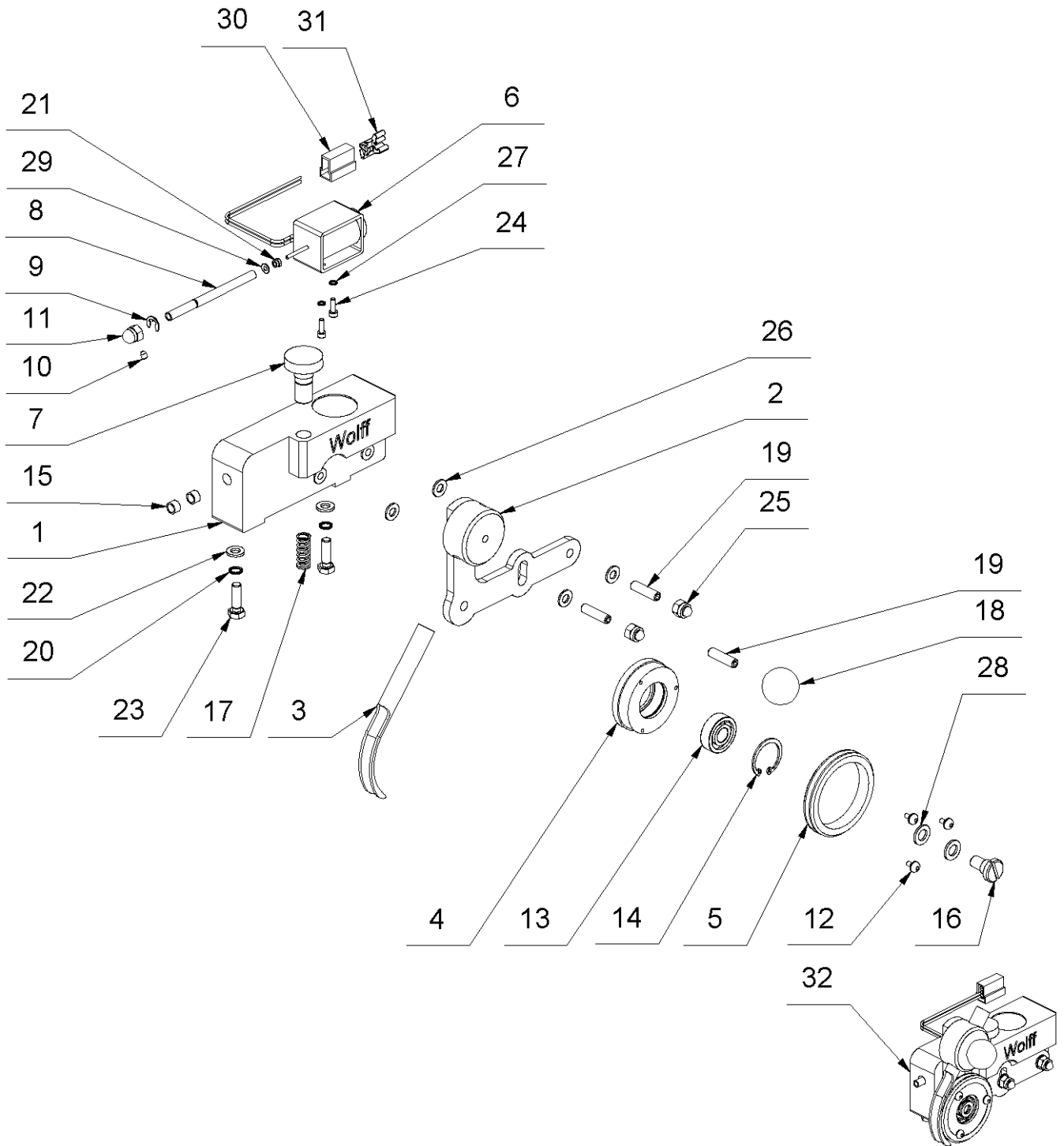
2 Control electronics



2 Control electronics

Item no.	Article no.	Description	Quantity
1	055603	Switch housing Weldmaster	1
2	061532	fuse 1A SAM 2	1
3	017664	Protective rubber sleeve	1
4	014713	Cord 2x1,5 ² x4m black w.nonrewireableplug	1
5	017795	Retaining Clip SAM 2	1
6	017560	Attachment coupling SAM 2	1
7	055492	Temperature display WeldmasterSEE 10438	1
8	056751	temp.measuring needle cpl. Weldmaster	1
9	055496	fitting M8x1 Weldmaster	1
10	055513	Hexagon nut M8x1 DIN 936	1
11	014992	Protective cut-out switch	1
12	018246	Cylinder head screw M3x10 DIN 84	2
13	017629	Hexagon nut M3 DIN 934	2
14	055491	Keypad Weldmaster	1
15	017644	Housing for flat connector	2
16	014983	Calipers SAM 2	1
17	074581	Platine cpl. 230V Weldmaster	1
18	056009	Platine Electronics Weldm./SAM2	1
19	017930	Mounting plate SAM 2	1
20	017789	Flat plug sleeve B638	4
21	056392	Electronics cpl.230V Weldmaster	1
o.Abb.	079056	Plug 3-pol. 230V DK	1

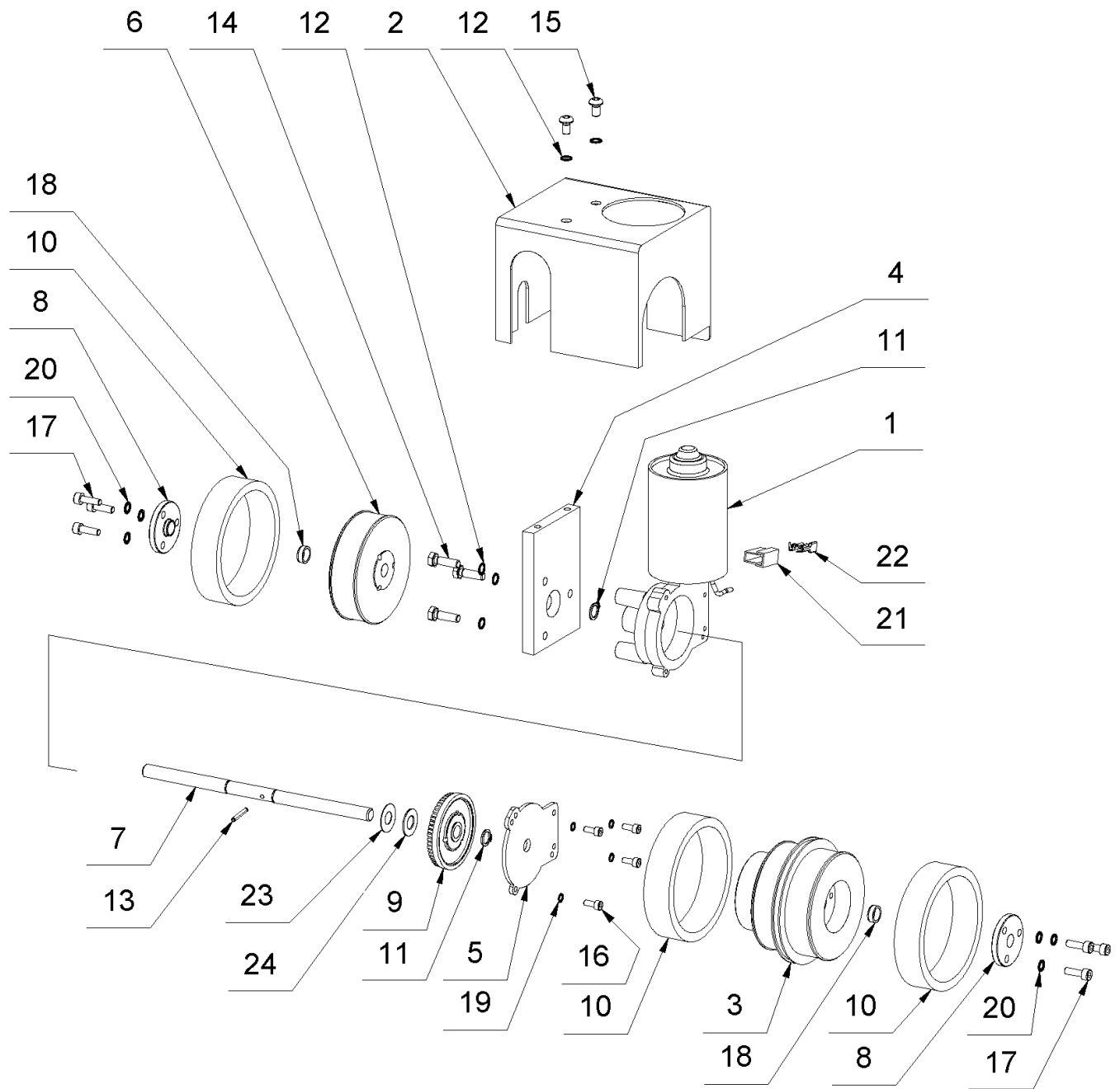
3 Housing block



3 Housing block

Item no.	Article no.	Description	Quantity
1	017880	Housing SAM 2	1
2	017882	Rocker SAM 2	1
3	015291	Welding rod feeding tube SAM 2	1
4	017933	Rim for welding wheel SAM 2	1
5	015282	Pressure roller SAM 2	1
6	015296	Shifting magnet SAM 2	1
7	017973	Knurled bolt M12x20	1
8	017972	Shifting rod SAM 2	1
9	017714	Safety washer d5 DIN 6799	1
10	064786	Thread pin M 4x 4 DIN 916	1
11	017986	cap nut SAM 2	1
12	017555	Lens head screw M3x6	3
13	017001	Ball Bearing 6000 2RSH	1
14	017692	Safety washer I26 / DIN 472	1
15	017759	Bushing 0605	2
16	017716	Flat head screw M8x 6 DIN 923	1
17	017751	Pressure spring VD-198 / 9,25x33x1,25	1
18	017543	Ball Handle 25mm M6 black	1
19	017683	Headless pin M 6x25 DIN 914	3
20	014859	Schnorr washer M6	2
21	017768	El.Stop-Nut M3 DIN 985	1
22	014827	Washer M6 DIN 125 A	2
23	014771	Hexagonal screw M 6x 20 DIN 933	2
24	014715	Cylinder head screw M3x10 DIN 912	2
25	017728	cap nut M 6 DIN 986	2
26	017736	shim ring 6x12x1 DIN 988	4
27	017772	Schnorr washer M3	2
28	017648	shim ring 8x14x1,5 DIN 988	2
29	018223	disc M 3 DIN 125B vzkt	1
30	017668	Plug sleeve housing	1
31	017789	Flat plug sleeve B638	2

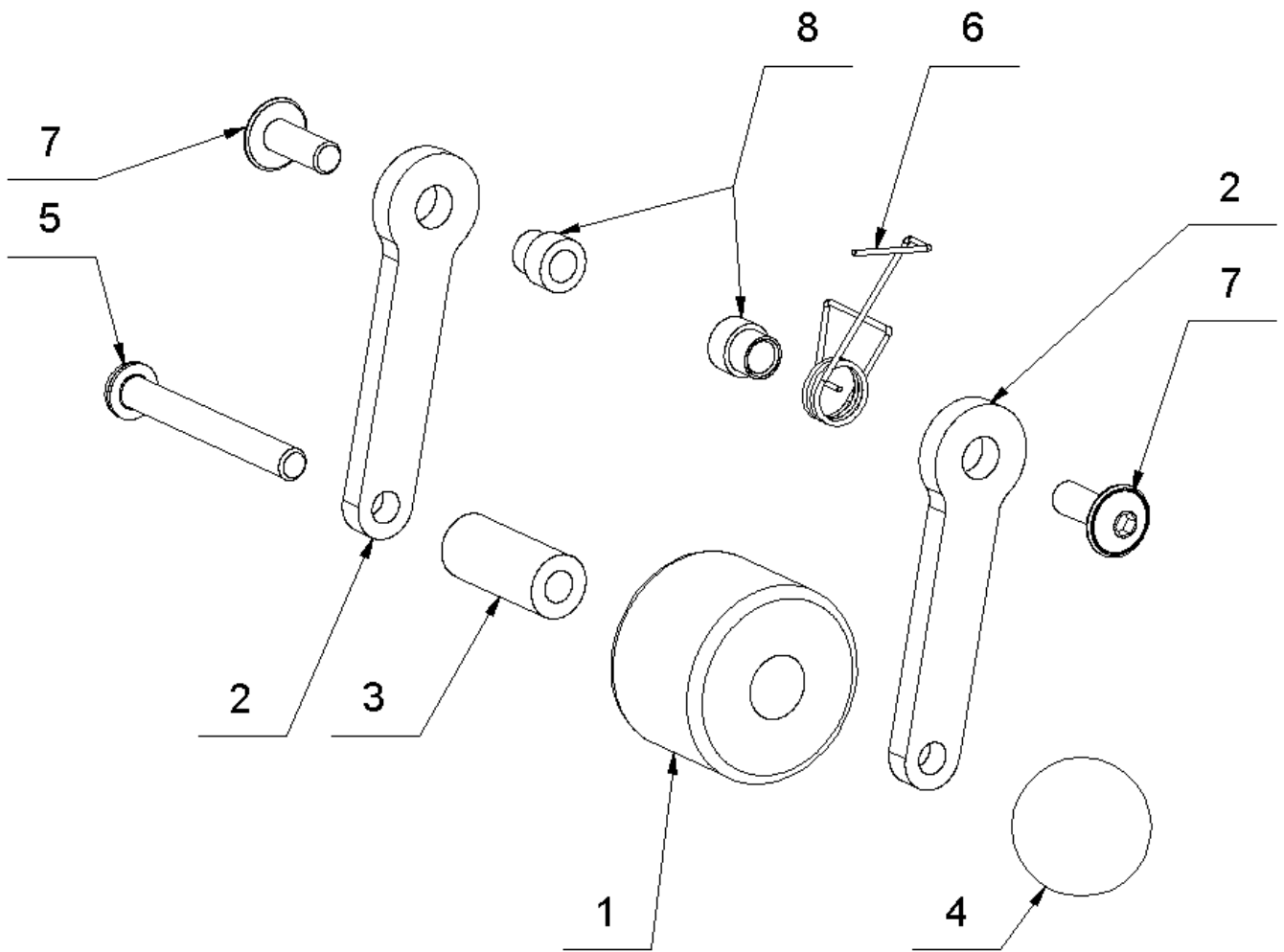
4 Drive Motor



4 Drive Motor

Item no.	Article no.	Description	Quantity
1	082073	Motor 230V+115V SAM2 ab08/16 kompl.	1
2	017853	Axle housing SAM 2	1
3	017833	Driving wheel SAM 2	1
4	017903	Ball bearing SAM 2	1
5	015290	Gear cover SAM 2	1
6	017849	Driving wheel, narrow SAM 2	1
7	015292	Axle Drive shaft SAM 2	1
8	017942	Tension flange SAM 2	2
9	082073	Motor 230V+115V SAM2 ab08/16 kompl.	1
10	014930	Rubber band d62xd82x22 SAM 2	3
11	017694	Safety washer A10 DIN 471	2
12	014859	Schnorr washer M6	5
13	017775	spiral spring pin 3x20 DIN 7343	1
14	014771	Hexagonal screw M 6x 20 DIN 933	3
15	014799	Lens head screw M6x10	2
16	014717	Cylinder head screw M4x10 DIN 912	4
17	017610	Cylinder head screw M5x16 DIN 912	6
18	017774	Clamping sleeve 10x13 SAM 2	2
19	016961	Snorr washer M4	4
20	014858	Schnorr washer M5	6
21	017668	Plug sleeve housing	1
22	017789	Flat plug sleeve B638	2
23	014840	Spacer 10x22x0.5	1
24	014844	Spring washer B M10 DIN 137	1

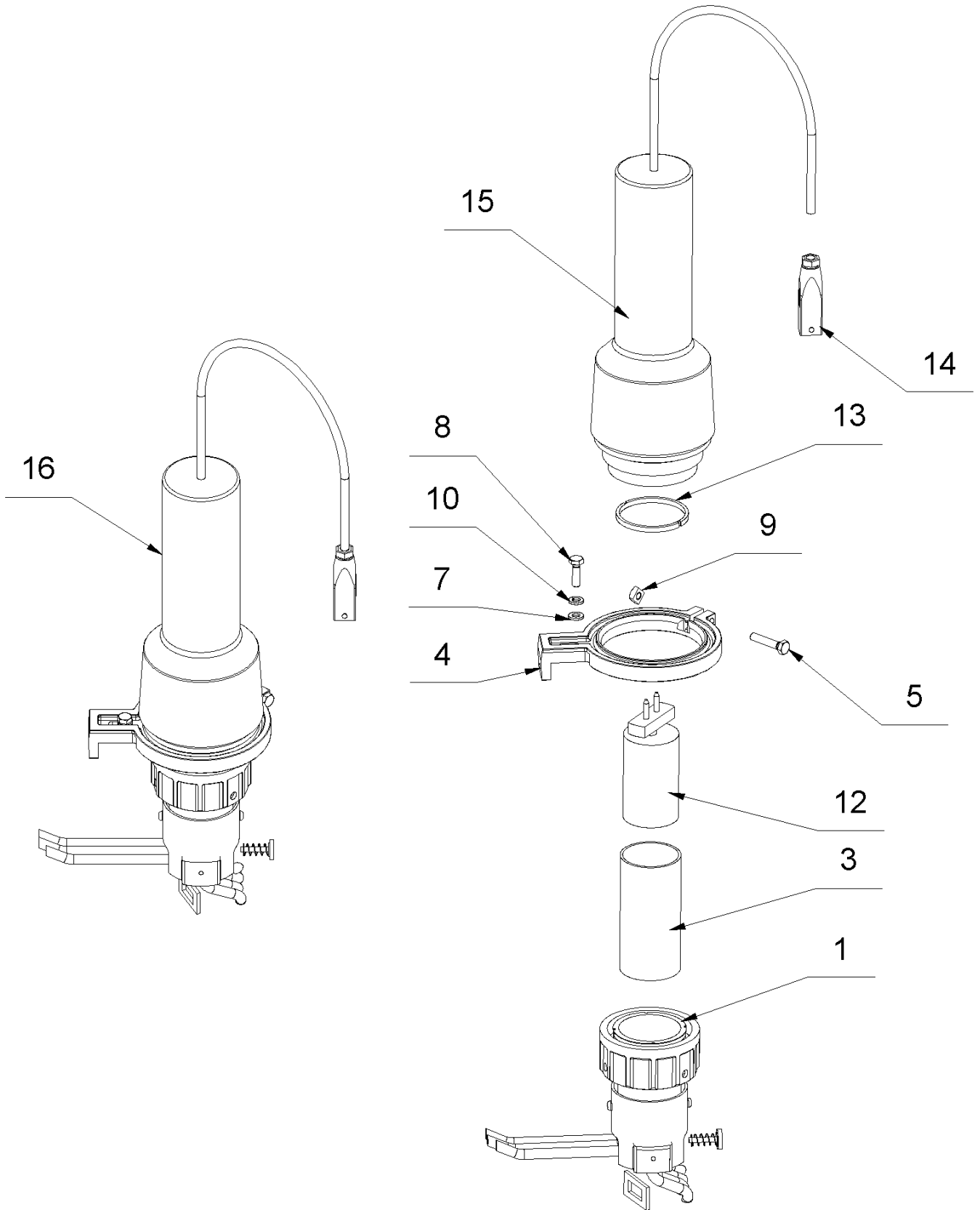
5 Wall switch off



5 Wall switch off

Item no.	Article no.	Description	Quantity
1	056236	reel Weldmaster	1
2	056235	lever Weldmaster	2
3	056237	Bague p.poulie Weldmaster	1
4	017543	Ball Handle 25mm M6 black	1
5	056251	Lens head screw M6x50 ISO 7380	1
6	056621	leg spring Weldmaster	2
7	017552	Lens head screw M 6x16 ISO 7380	2
8	017978	distance bushing SAM 2 Abhebevorr.	2

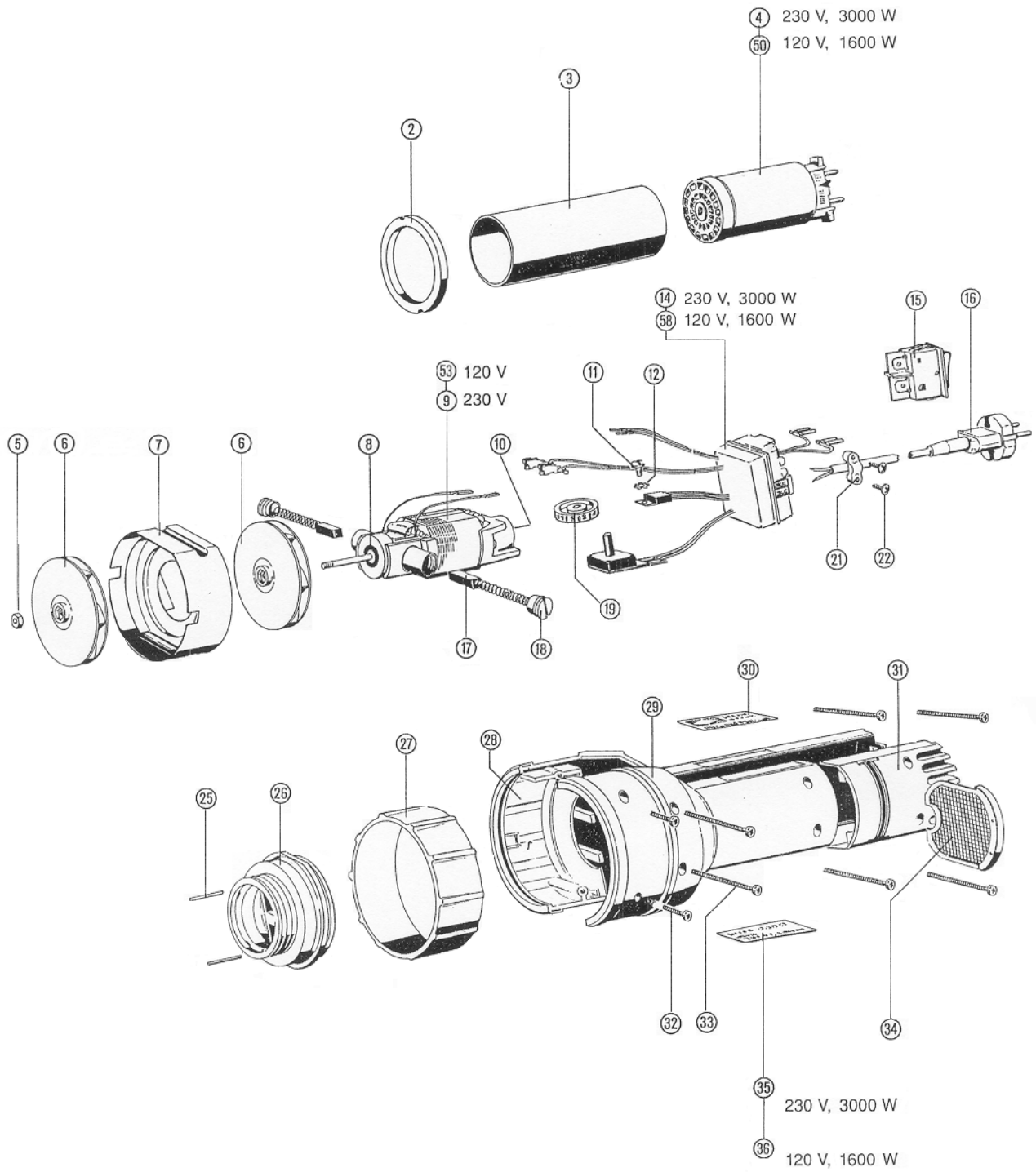
6 Heater til 2021



6 Heater til 2021

Item no.	Article no.	Description	Quantity
1	055498	Welding gun top w.temp.displayWeldmaster	1
3	019289	Insulating tube SAM 2 f.heating element	1
4	015286	Bracket SAM 2	1
5	014773	Hexagonal screw M 6x 30 DIN933	1
6	017576	Burner 120V SAM 2/50-60Hz	1
7	014827	Washer M6 DIN 125 A	1
8	014771	Hexagonal screw M 6x 20 DIN 933	1
9	014819	Square nut M6/557	1
10	014843	Spring washer 6 DIN 127 B	1
11	018515	Heating element 115V 1600W SAM 2	1
12	013480	Heating element, 3.0 KW	1
13	017729	Insulated disc SAM 2	1
14	017635	Plug with traction relief SAM 2	1
15	015295	Hot air device 230V SAM2 SEE 164518	1
16		Heater compl. see 164518	1

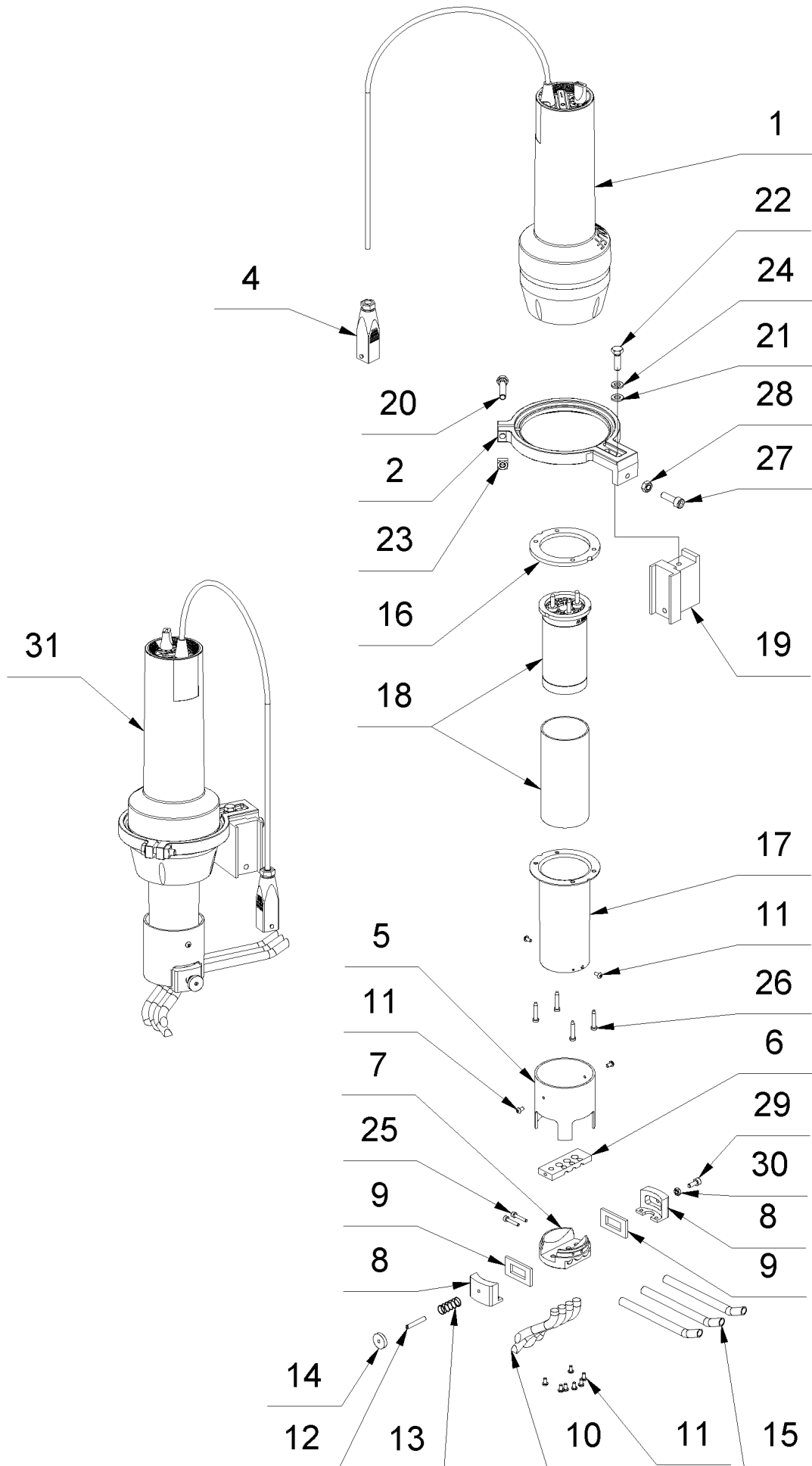
15 Hot air device 230V SAM2 SEE 164518



15 Hot air device 230V SAM2 SEE 164518

Item no.	Article no.	Description
2	017729	Grummet
3	019289	Insulating tube
4	013480	Heating element
5		Hexagon nut
6	064776	cooling fan cpl. SAM 2
7	068052	fan housing SAM 2
8		Ball bearing
9	021274	Installation engine SAM 2
10		Ball bearing
11		Cylindrical screw
12		Belt pulley
14	017482	Elektronic K25.30 SAM 2 /230V
15	050873	Switch SAM 2
16		Electrical cord
17	017461	Carbon brush 230V+115VSAM 2
18		Screw
19	041882	Rotary button f.electronic control SAM 2
21		Ring bolt
22		Screw
25		Pin
26	021038	Housing cap f.burner SAM 2
27		Charge ring
28		Housing left
29		Housing right
30		Logo
31		Cover
32		Binding head
33		Binding head
34	079803	Sieve SAM 2
35		Type plate
36		Type plate
50	018515	Heating element 115V 1600W SAM 2
53		Motor
58	071015	Elektronic K25.16 SAM 2 /120V

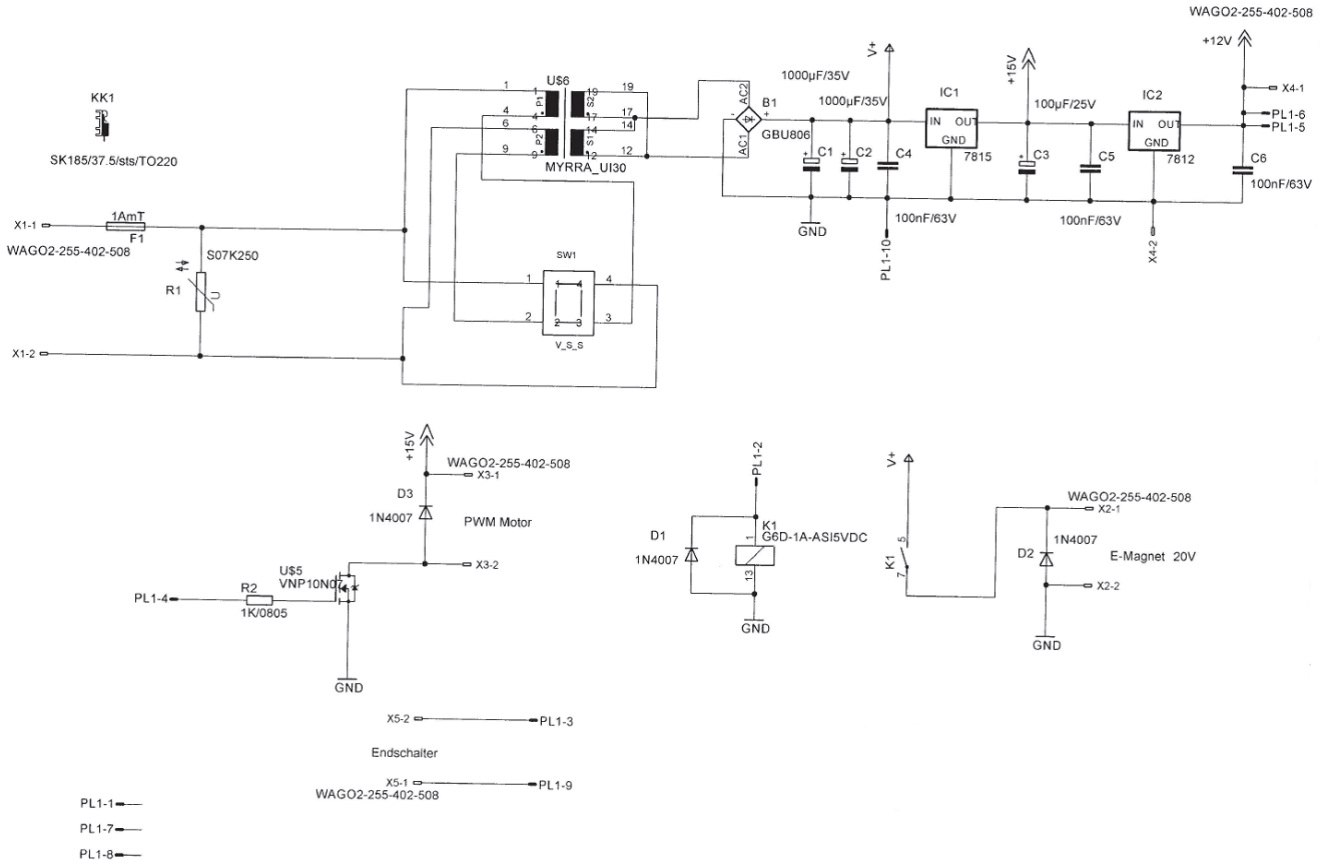
7 Heater from 2022



7 Heater from 2022

Item no.	Article no.	Description	Quantity
1	163960	Hot air device basic Phoenix 3400 230V	1
2	164448	Support arm Phoenix Weldmaster 1.0	1
4	017635	Plug with traction relief SAM 2	1
5	017595	Protective pipe SAM 2	1
6	017941	Slider SAM 2	1
7	164447	Slider housing Phoenix Weldmaster 1.0	1
8	017963	Tight housing SAM 2	2
9	017917	Sealing SAM 2	2
10	015293	Welding nozzle SAM 2	1
11	017555	Lens head screw M3x6	11
12	017981	Screw M 4 SAM 2	1
13	060822	pressure spring temperature	1
14	017707	Knurled nut M 4 DIN 467 vzkt	1
15	017965	Nozzle to deflect SAM 2	3
16	163963	Gasket Phoenix 3400	1
17	164445	Heating pipe Phoenix Weldmaster 1.0	1
18	163964	Heating element Phoenix 3400	1
19	164446	Support arm support Phoenix Weldmaster	1
20	014773	Hexagonal screw M 6x 30 DIN933	1
21	014827	Washer M6 DIN 125 A	1
22	014771	Hexagonal screw M 6x 20 DIN 933	1
23	014819	Square nut M6/557	1
24	014843	Spring washer 6 DIN 127 B	1
25	018290	Cylinder head screw M3x16 DIN 912	2
26	164443	Plastic screw Ø3,5x19	4
27	014730	Cylinder head screw M 6x20 DIN 912	1
28	014809	Hexagon nut M6 DIN 934	1
29	014717	Cylinder head screw M4x10 DIN 912	1
30	017630	Hexagon nut M 4 DIN 934	1
31	164518	BG Phoenix heater 230V Weldmaster 1.0	1

8 Circuit diagram

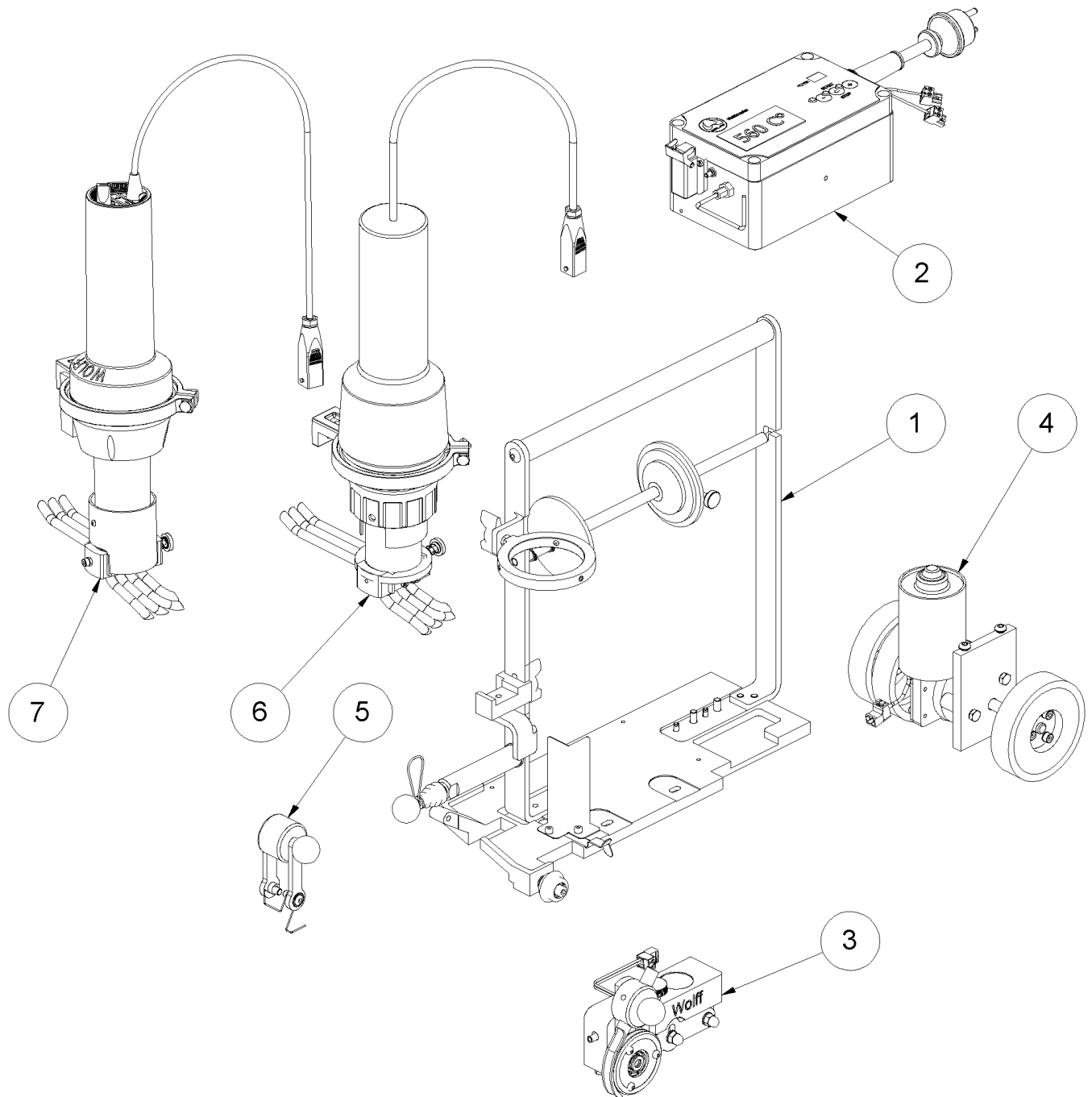


8 Circuit diagram

9 Accessories

Item no.	Article no.	Description	Quantity
1	015284	Carrying case 500x235x435 SAM 2	1
2	015683	Cleaning brush, brass	1
3	056293	Technical instructions Weldmaster 3-sp	1
4	013480	Heating element, 3.0 KW	1

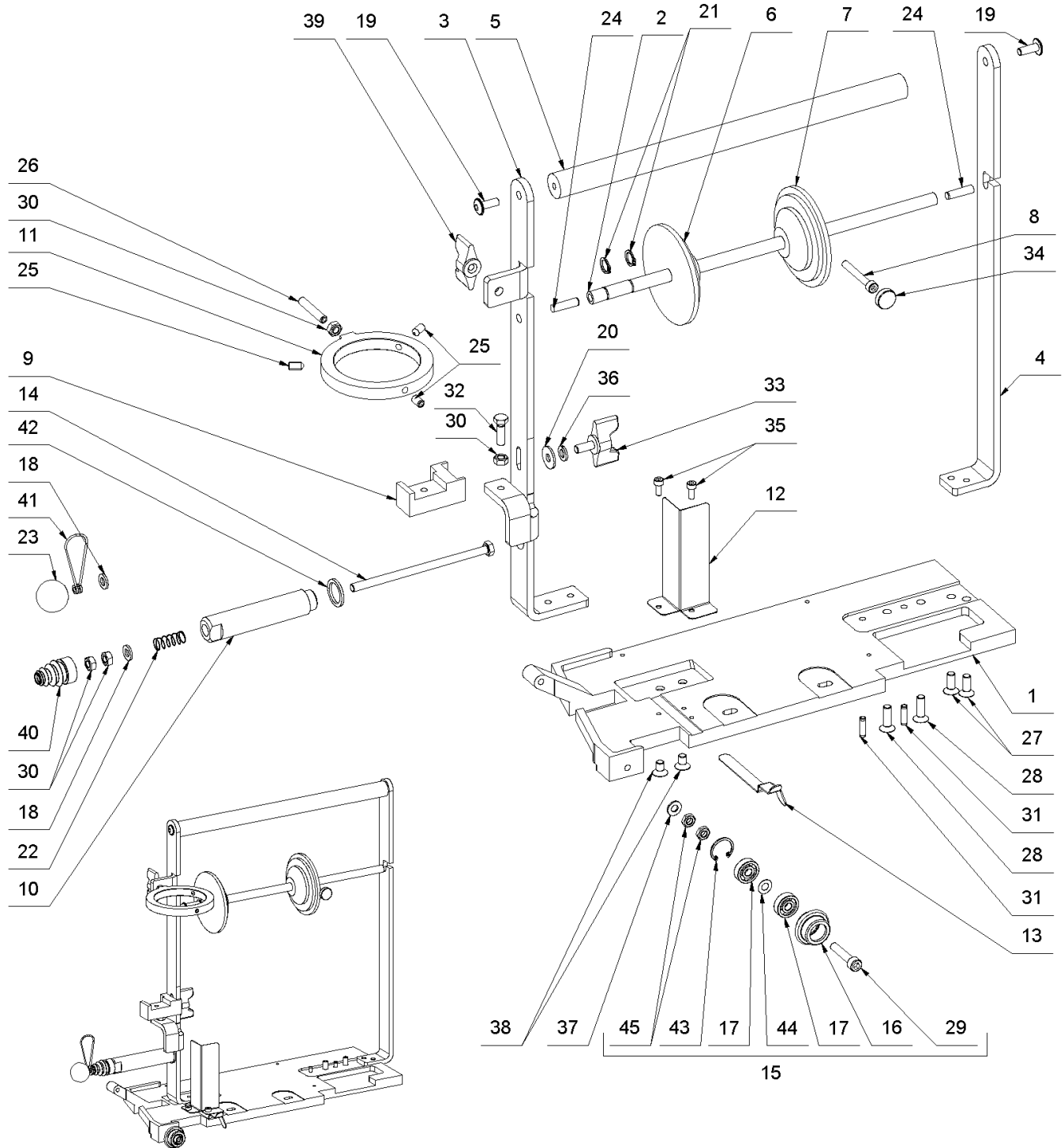
5 Weldmaster (0309/2014-0438/2016)



5 Weldmaster (0309/2014-0438/2016)

Item no.	Article no.	Description
1	05_01_056255	Basic plate
2	05_02_056392	Control electronics
3	05_03_056255	Housing block
4	05_04_056255	Drive Motor
5	02_05_056255	Wall switch off
6	02_06_056255	Heater til 2021
7	02_06_164518	Heater from 2022
8	01_08_056255	Circuit diagram
9	01_09_056255	Accesories

1 Basic plate



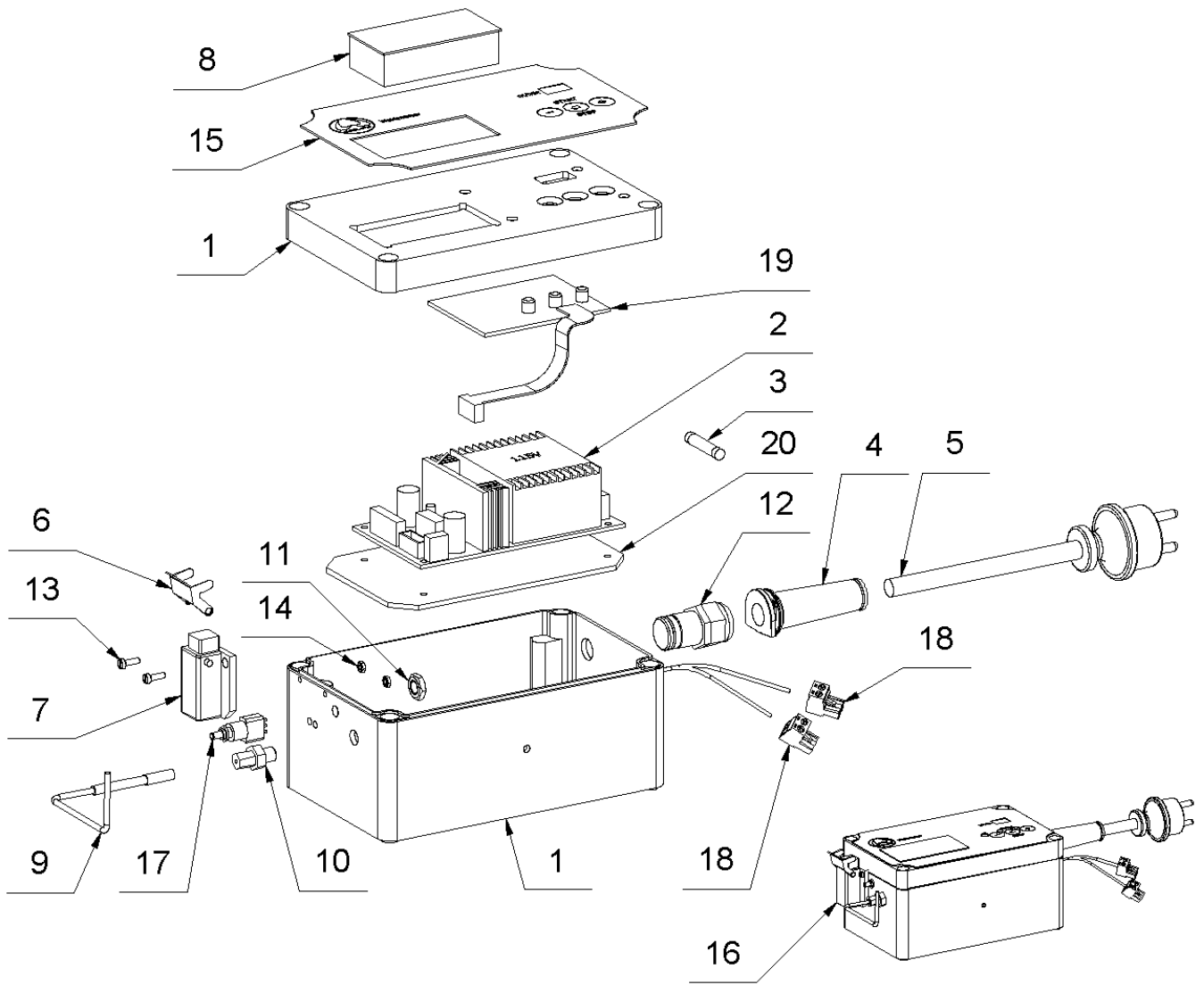
1 Basic plate

Item no.	Article no.	Description	Quantity
1	015285	Base plate SAM 2	1
2	015287	Axle for welding rod	1
3	017860	Shackle up front SAM 2	1
4	015288	Strap back SAM 2	1
5	017886	Axle f.shackle SAM 2	1
6	017421	Roller holder rigid	1
7	015289	Roller holder moveable SAM 2	1
8	014723	Cylinder head screw M5x40 DIN 912	1
9	017940	Bracket support SAM 2	1
10	056238	switch bush Weldmaster	1
11	017934	Supporting ring SAM 2	1
12	017615	Pressing plate SAM 2	1
13	015300	Nozzle cover SAM 2	1
14	056250	Hexagonal screw M 6x120 DIN 933	1
15	015040	Guide roller compl	1
16	015258	Guiding roll SM1200	1
17	017538	Ball bearing DIN625-626 6x19x6 2RS	2
18	014827	Washer M6 DIN 125 A	2
19	017552	Lens head screw M 6x16 ISO 7380	2
20	017724	Washer DIN 9021 6,4x18x1,6	1
21	017694	Safety washer A10 DIN 471	2
22	014894	Pressure spring VD-090E / 9x23,90x0,55	1
23	017543	Ball Handle 25mm M6 black	1
24	017717	Cylindrical pin 6x 24 DIN 6325	2
25	018196	Headless pin M 6x12 DIN 915	3
26	017524	Headless pin M6x40 DIN 913	1
27	014756	Countersunk screw M6x16 DIN 7991 10.9	2
28	014757	Countersunk screw M6x20 DIN 7991 10.9	2
29	017678	Cylinder head screw M6x30 DIN 912	1
30	014809	Hexagon nut M6 DIN 934	4
31	014889	Spiral pin 5x16/7374	2
32	014771	Hexagonal screw M 6x 20 DIN 933	1
33	055512	Screw M 6x15	1
34	014802	Thumb screw M 5	1

1 Basic plate

Item no.	Article no.	Description	Quantity
35	014717	Cylinder head screw M4x10 DIN 912	2
36	014843	Spring washer 6 DIN 127 B	1
37	017736	shim ring 6x12x1 DIN 988	1
38	017726	Countersunk screw M6x10 DIN 7991 10.9	2
39	047796	Wing nut M6 plastic	1
40	060722	Rubber gaiter Mambo Evo/Spider	1
41	060726	Tether Mambo Evo	1
42	014836	Sealing ring 22x17x2 SAM 2	1
43	017693	Safety washer I19 DIN 472	1
44	018076	Shim washer 6x12x0,2 DIN 988	1
45	018666	Hexagon nut M6 DIN 936	2

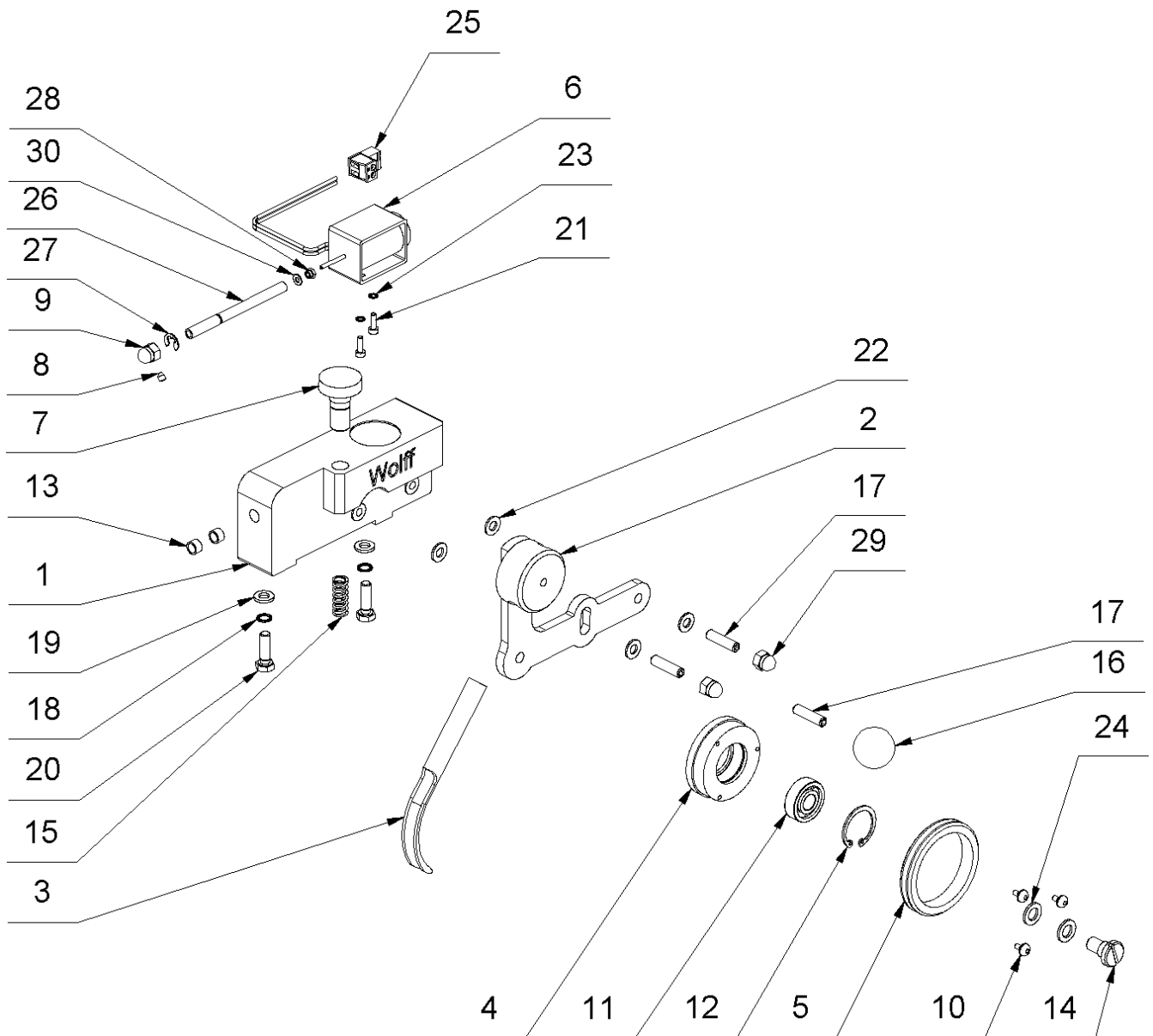
2 Control electronics



2 Control electronics

Item no.	Article no.	Description	Quantity
1	055603	Switch housing Weldmaster	1
2	074581	Platine cpl. 230V Weldmaster	1
3	061532	fuse 1A SAM 2	1
4	017664	Protective rubber sleeve	1
5	014713	Cord 2x1,5 ² x4m black w.nonrewireableplug	3
6	017795	Retaining Clip SAM 2	1
7	017560	Attachment coupling SAM 2	1
8	055492	Temperature display WeldmasterSEE 10438	1
9	056751	temp.measuring needle cpl. Weldmaster	1
10	055496	fitting M8x1 Weldmaster	1
11	055513	Hexagon nut M8x1 DIN 936	1
12	014992	Protective cut-out switch	1
13	018246	Cylinder head screw M3x10 DIN 84	2
14	017629	Hexagon nut M3 DIN 934	2
15	055491	Keypad Weldmaster	1
16	056392	Electronics cpl.230V Weldmaster	1
17	014983	Calipers SAM 2	1
18	075014	Connector 2ProngStraight Plug 24V	2
19	056009	Platine Electronics Weldm./SAM2	1
20	017930	Mounting plate SAM 2	1
21	056750	Cable set Temperaturdisplay	1
o.Abb.	079056	Plug 3-pol. 230V DK	1

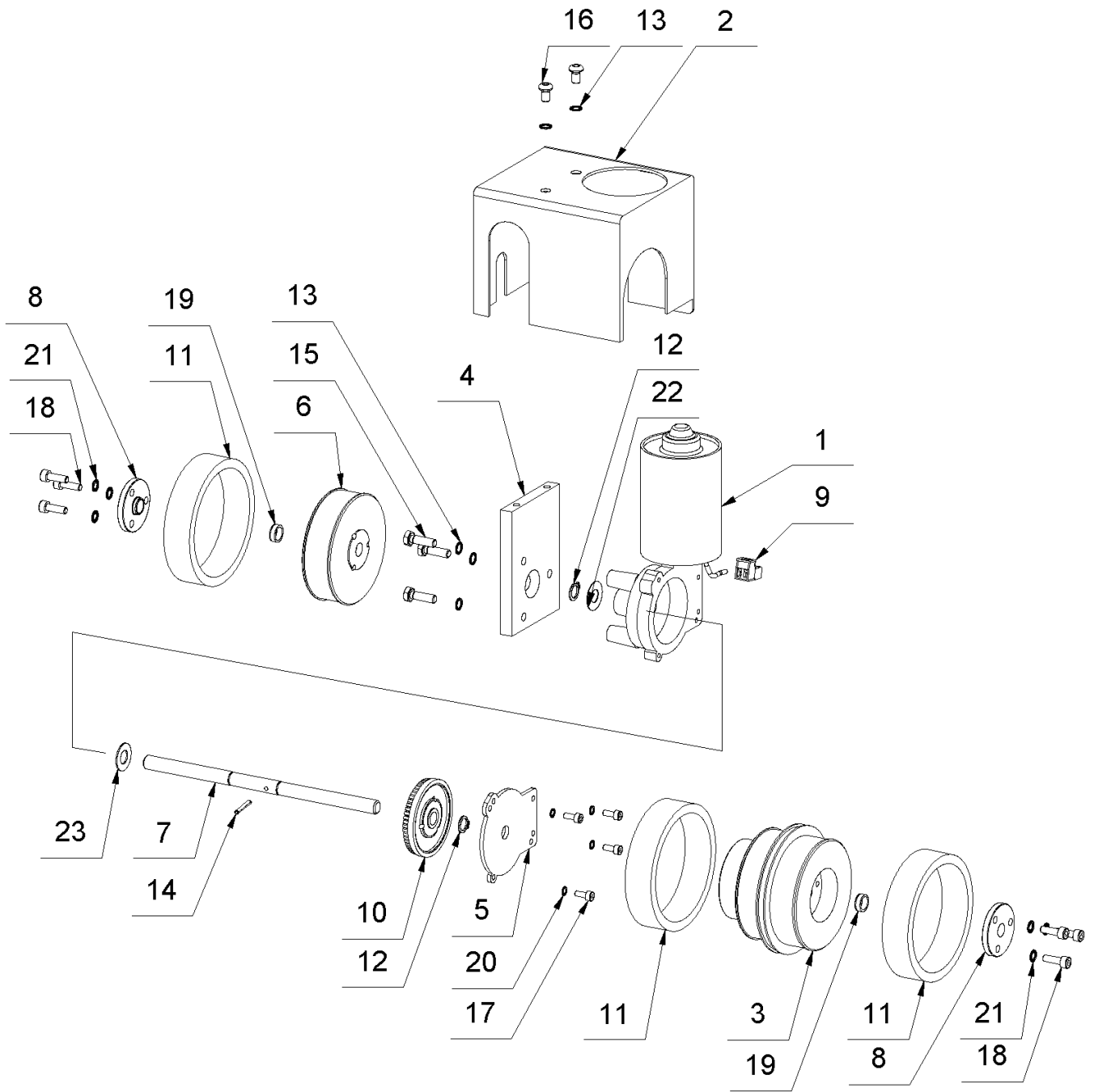
3 Housing block



3 Housing block

Item no.	Article no.	Description	Quantity
1	017880	Housing SAM 2	1
2	017882	Rocker SAM 2	1
3	015291	Welding rod feeding tube SAM 2	1
4	017933	Rim for welding wheel SAM 2	1
5	015282	Pressure roller SAM 2	1
6	015296	Shifting magnet SAM 2	1
7	017973	Knurled bolt M12x20	1
8	064786	Thread pin M 4x 4 DIN 916	1
9	017986	cap nut SAM 2	1
10	017555	Lens head screw M3x6	3
11	017001	Ball Bearing 6000 2RSH	1
12	017692	Safety washer I26 / DIN 472	1
13	017759	Bushing 0605	2
14	017716	Flat head screw M8x 6 DIN 923	1
15	017751	Pressure spring VD-198 / 9,25x33x1,25	1
16	017543	Ball Handle 25mm M6 black	1
17	017683	Headless pin M 6x25 DIN 914	3
18	014859	Schnorr washer M6	2
19	014827	Washer M6 DIN 125 A	2
20	014771	Hexagonal screw M 6x 20 DIN 933	2
21	014715	Cylinder head screw M3x10 DIN 912	2
22	017736	shim ring 6x12x1 DIN 988	4
23	017772	Schnorr washer M3	2
24	017648	shim ring 8x14x1,5 DIN 988	2
25	075016	Male 2-Prong Straight Plug 24V	1
26	017972	Shifting rod SAM 2	1
27	017714	Safety washer d5 DIN 6799	1
28	014789	Stud bolt M10x80 DIN 939 5.8 zined	1
29	017687	Cap nut M 6 DIN 1587	2
30	018223	disc M 3 DIN 125B vzkt	1

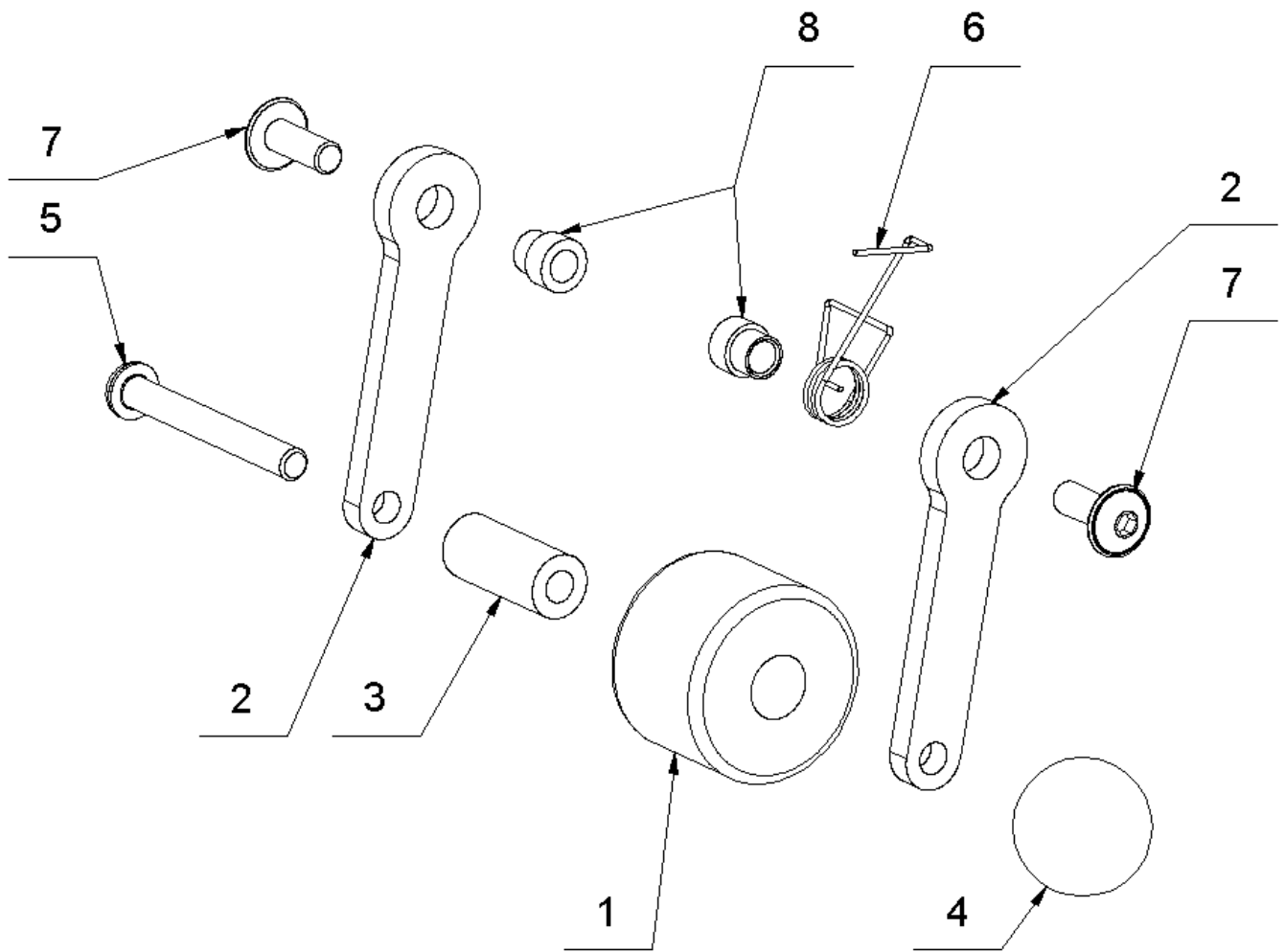
4 Drive Motor



4 Drive Motor

Item no.	Article no.	Description	Quantity
1	082073	Motor 230V+115V SAM2 ab08/16 kompl.	1
2	017853	Axle housing SAM 2	1
3	017833	Driving wheel SAM 2	1
4	017903	Ball bearing SAM 2	1
5	015290	Gear cover SAM 2	1
6	017849	Driving wheel, narrow SAM 2	1
7	015292	Axle Drive shaft SAM 2	1
8	017942	Tension flange SAM 2	2
9	075016	Male 2-Prong Straight Plug 24V	1
10	082073	Motor 230V+115V SAM2 ab08/16 kompl.	1
11	014930	Rubber band d62xd82x22 SAM 2	3
12	017694	Safety washer A10 DIN 471	2
13	014859	Schnorr washer M6	5
14	017775	spiral spring pin 3x20 DIN 7343	1
15	014771	Hexagonal screw M 6x 20 DIN 933	3
16	014799	Lens head screw M6x10	2
17	014717	Cylinder head screw M4x10 DIN 912	4
18	017610	Cylinder head screw M5x16 DIN 912	6
19	017774	Clamping sleeve 10x13 SAM 2	2
20	016961	Snorr washer M4	4
21	014858	Schnorr washer M5	6
22	014840	Spacer 10x22x0.5	1
23	014844	Spring washer B M10 DIN 137	1

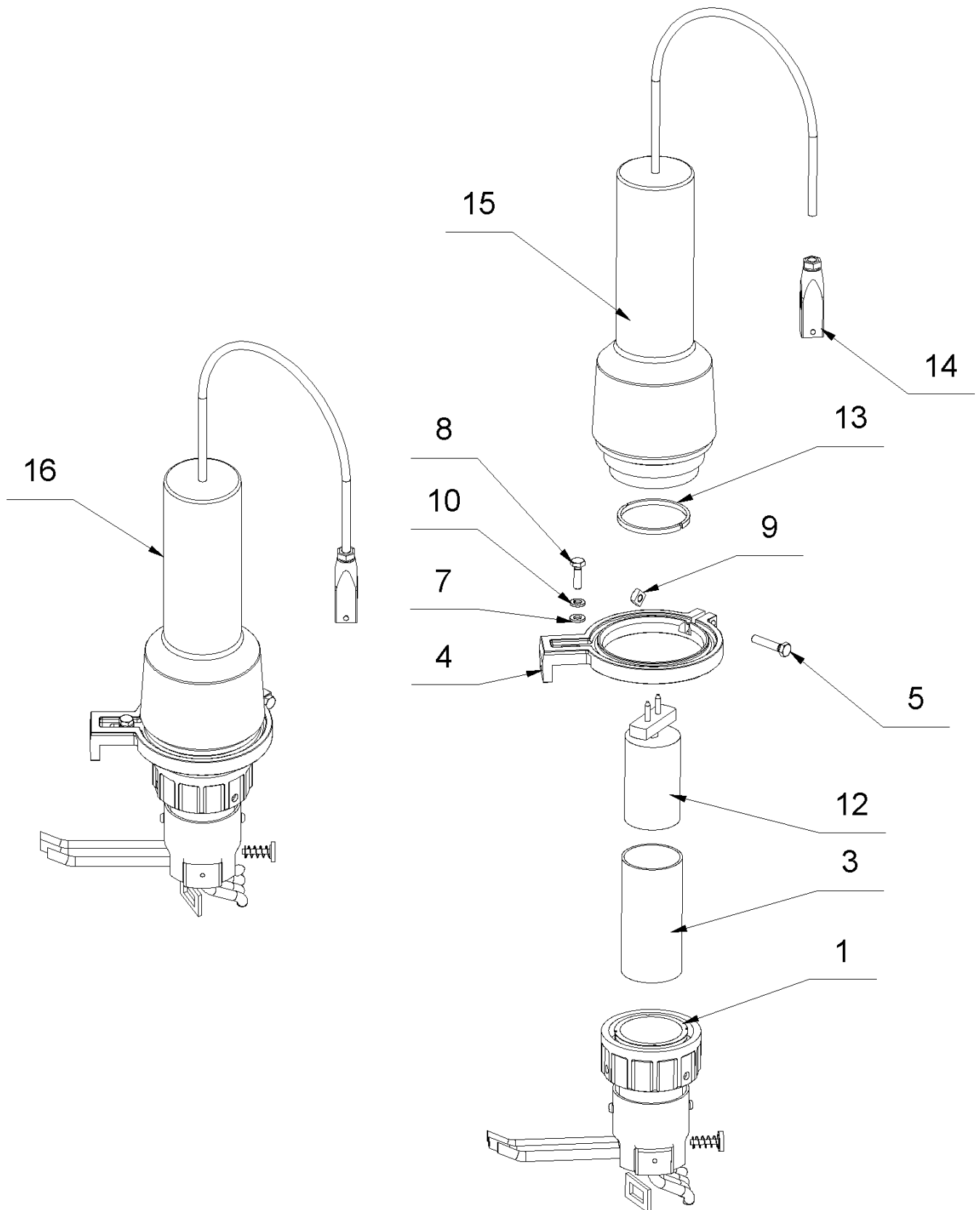
5 Wall switch off



5 Wall switch off

Item no.	Article no.	Description	Quantity
1	056236	reel Weldmaster	1
2	056235	lever Weldmaster	2
3	056237	Bague p.poulie Weldmaster	1
4	017543	Ball Handle 25mm M6 black	1
5	056251	Lens head screw M6x50 ISO 7380	1
6	056621	leg spring Weldmaster	2
7	017552	Lens head screw M 6x16 ISO 7380	2
8	017978	distance bushing SAM 2 Abhebevorr.	2

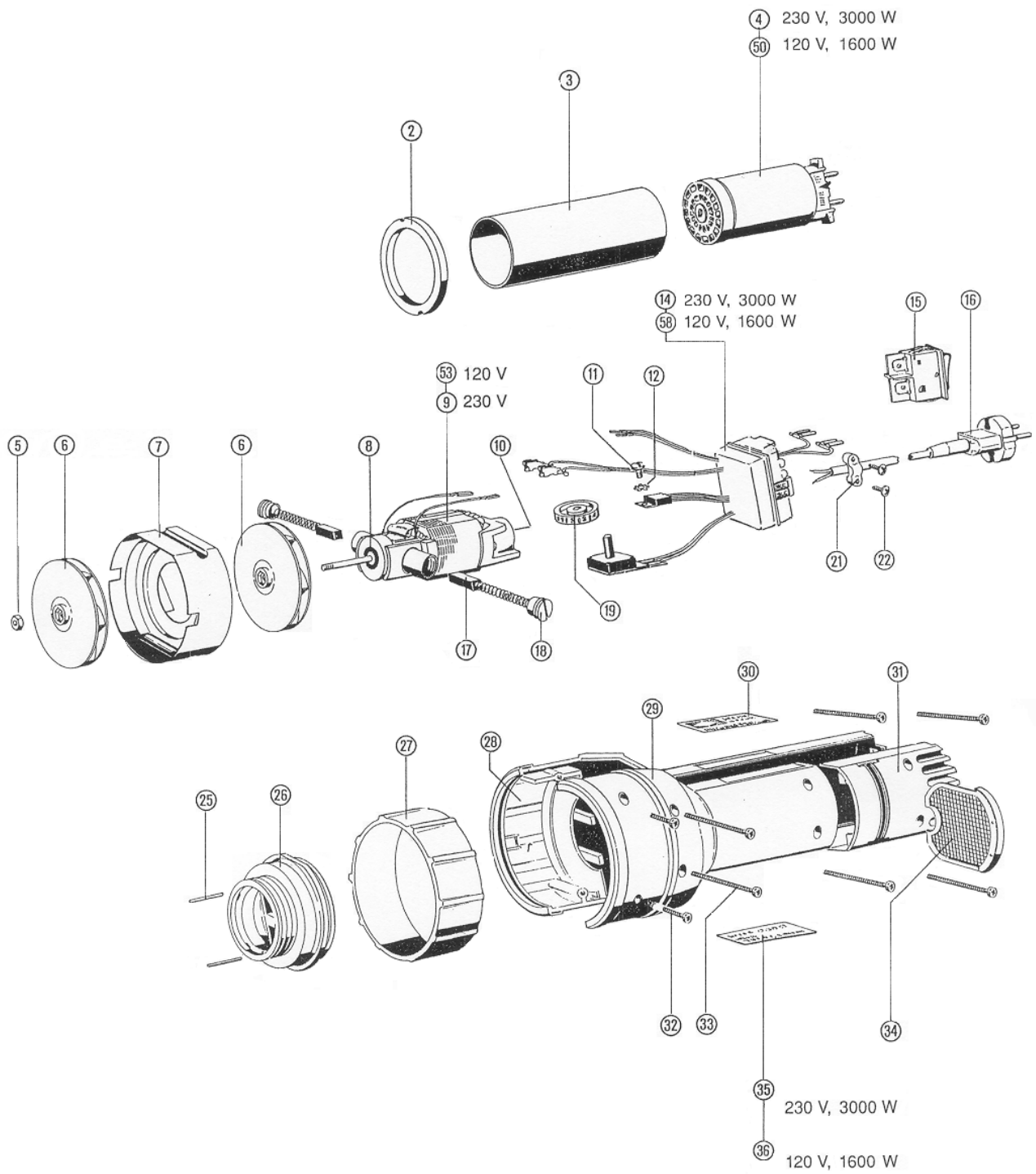
6 Heater til 2021



6 Heater til 2021

Item no.	Article no.	Description	Quantity
1	055498	Welding gun top w.temp.displayWeldmaster	1
3	019289	Insulating tube SAM 2 f.heating element	1
4	015286	Bracket SAM 2	1
5	014773	Hexagonal screw M 6x 30 DIN933	1
6	017576	Burner 120V SAM 2/50-60Hz	1
7	014827	Washer M6 DIN 125 A	1
8	014771	Hexagonal screw M 6x 20 DIN 933	1
9	014819	Square nut M6/557	1
10	014843	Spring washer 6 DIN 127 B	1
11	018515	Heating element 115V 1600W SAM 2	1
12	013480	Heating element, 3.0 KW	1
13	017729	Insulated disc SAM 2	1
14	017635	Plug with traction relief SAM 2	1
15	015295	Hot air device 230V SAM2 SEE 164518	1
16		Heater compl. see 164518	1

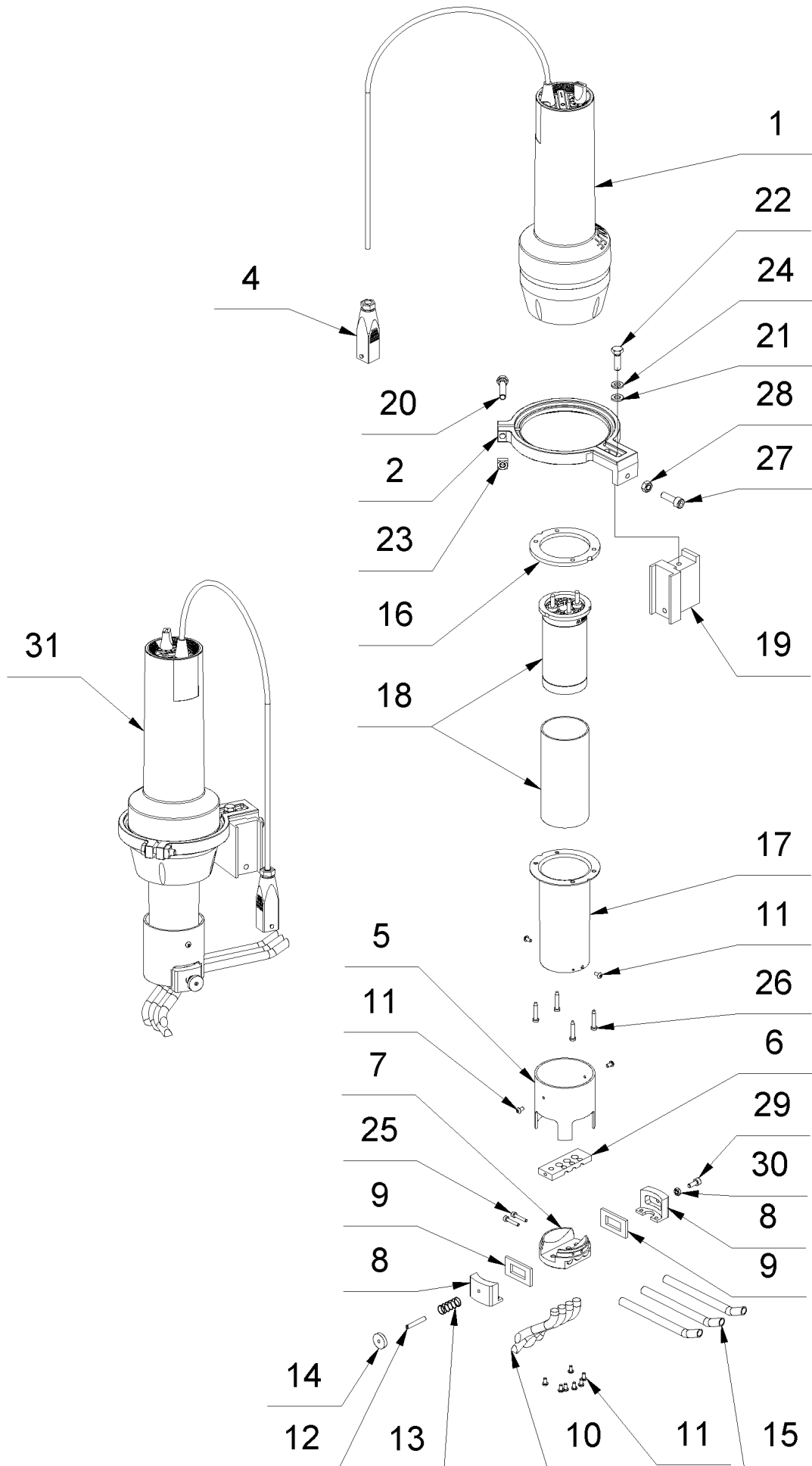
15 Hot air device 230V SAM2 SEE 164518



15 Hot air device 230V SAM2 SEE 164518

Item no.	Article no.	Description
2	017729	Grummet
3	019289	Insulating tube
4	013480	Heating element
5		Hexagon nut
6	064776	cooling fan cpl. SAM 2
7	068052	fan housing SAM 2
8		Ball bearing
9	021274	Installation engine SAM 2
10		Ball bearing
11		Cylindrical screw
12		Belt pulley
14	017482	Elektronic K25.30 SAM 2 /230V
15	050873	Switch SAM 2
16		Electrical cord
17	017461	Carbon brush 230V+115VSAM 2
18		Screw
19	041882	Rotary button f.electronic control SAM 2
21		Ring bolt
22		Screw
25		Pin
26	021038	Housing cap f.burner SAM 2
27		Charge ring
28		Housing left
29		Housing right
30		Logo
31		Cover
32		Binding head
33		Binding head
34	079803	Sieve SAM 2
35		Type plate
36		Type plate
50	018515	Heating element 115V 1600W SAM 2
53		Motor
58	071015	Elektronic K25.16 SAM 2 /120V

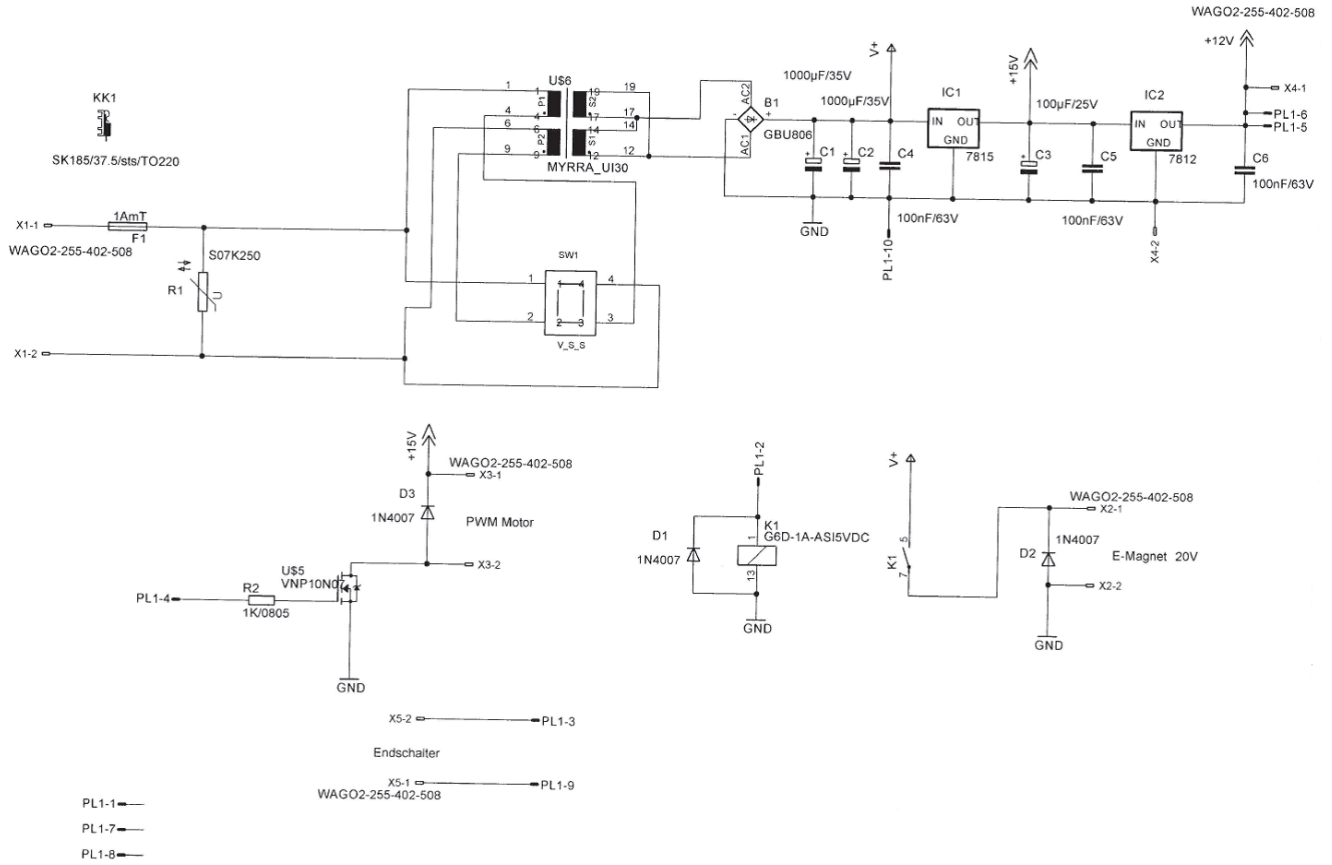
7 Heater from 2022



7 Heater from 2022

Item no.	Article no.	Description	Quantity
1	163960	Hot air device basic Phoenix 3400 230V	1
2	164448	Support arm Phoenix Weldmaster 1.0	1
4	017635	Plug with traction relief SAM 2	1
5	017595	Protective pipe SAM 2	1
6	017941	Slider SAM 2	1
7	164447	Slider housing Phoenix Weldmaster 1.0	1
8	017963	Tight housing SAM 2	2
9	017917	Sealing SAM 2	2
10	015293	Welding nozzle SAM 2	1
11	017555	Lens head screw M3x6	11
12	017981	Screw M 4 SAM 2	1
13	060822	pressure spring temperature	1
14	017707	Knurled nut M 4 DIN 467 vzkt	1
15	017965	Nozzle to deflect SAM 2	3
16	163963	Gasket Phoenix 3400	1
17	164445	Heating pipe Phoenix Weldmaster 1.0	1
18	163964	Heating element Phoenix 3400	1
19	164446	Support arm support Phoenix Weldmaster	1
20	014773	Hexagonal screw M 6x 30 DIN933	1
21	014827	Washer M6 DIN 125 A	1
22	014771	Hexagonal screw M 6x 20 DIN 933	1
23	014819	Square nut M6/557	1
24	014843	Spring washer 6 DIN 127 B	1
25	018290	Cylinder head screw M3x16 DIN 912	2
26	164443	Plastic screw Ø3,5x19	4
27	014730	Cylinder head screw M 6x20 DIN 912	1
28	014809	Hexagon nut M6 DIN 934	1
29	014717	Cylinder head screw M4x10 DIN 912	1
30	017630	Hexagon nut M 4 DIN 934	1
31	164518	BG Phoenix heater 230V Weldmaster 1.0	1

8 Circuit diagram

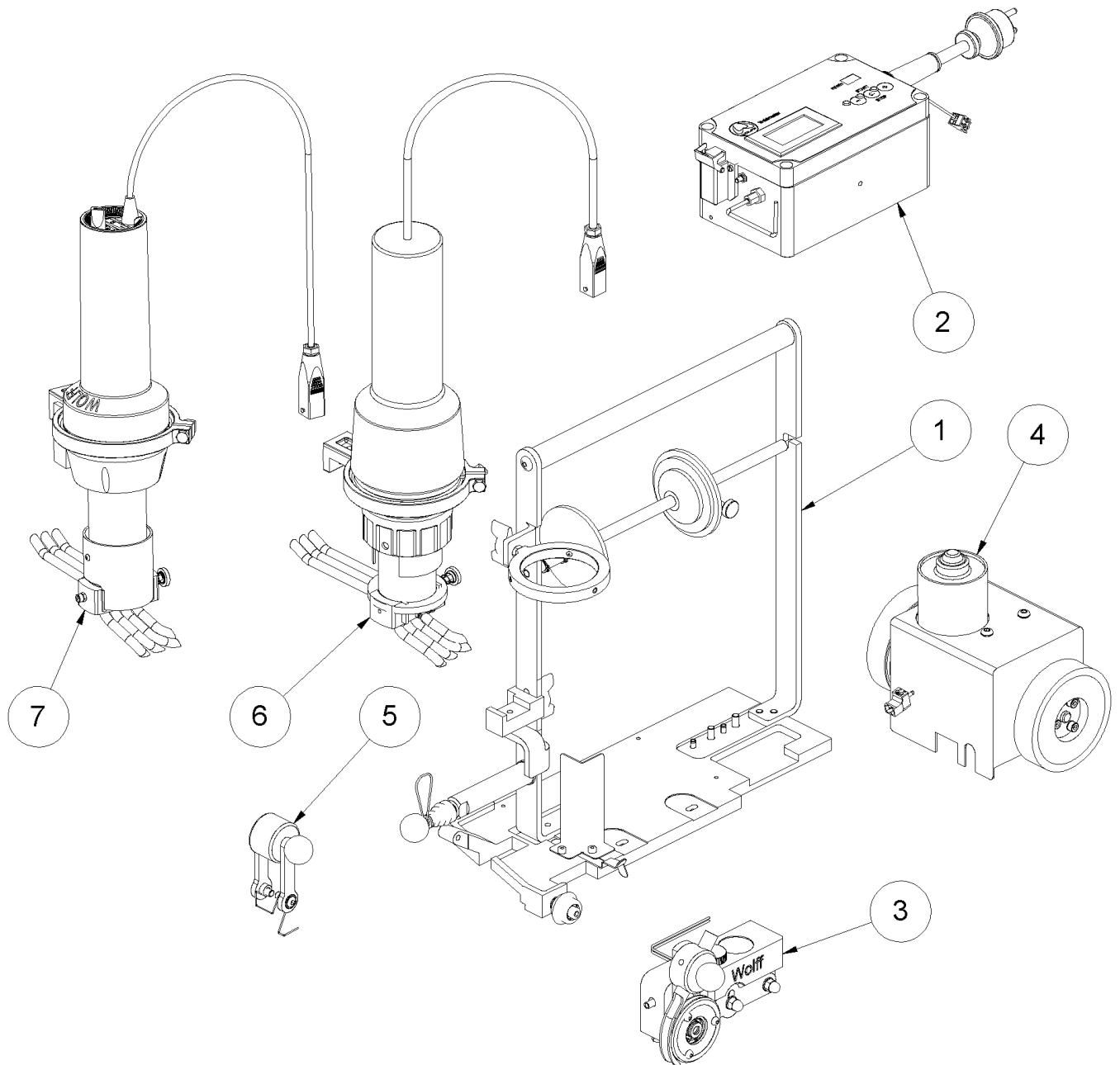


8 Circuit diagram

9 Accessories

Item no.	Article no.	Description	Quantity
1	015284	Carrying case 500x235x435 SAM 2	1
2	015683	Cleaning brush, brass	1
3	056293	Technical instructions Weldmaster 3-sp	1
4	013480	Heating element, 3.0 KW	1

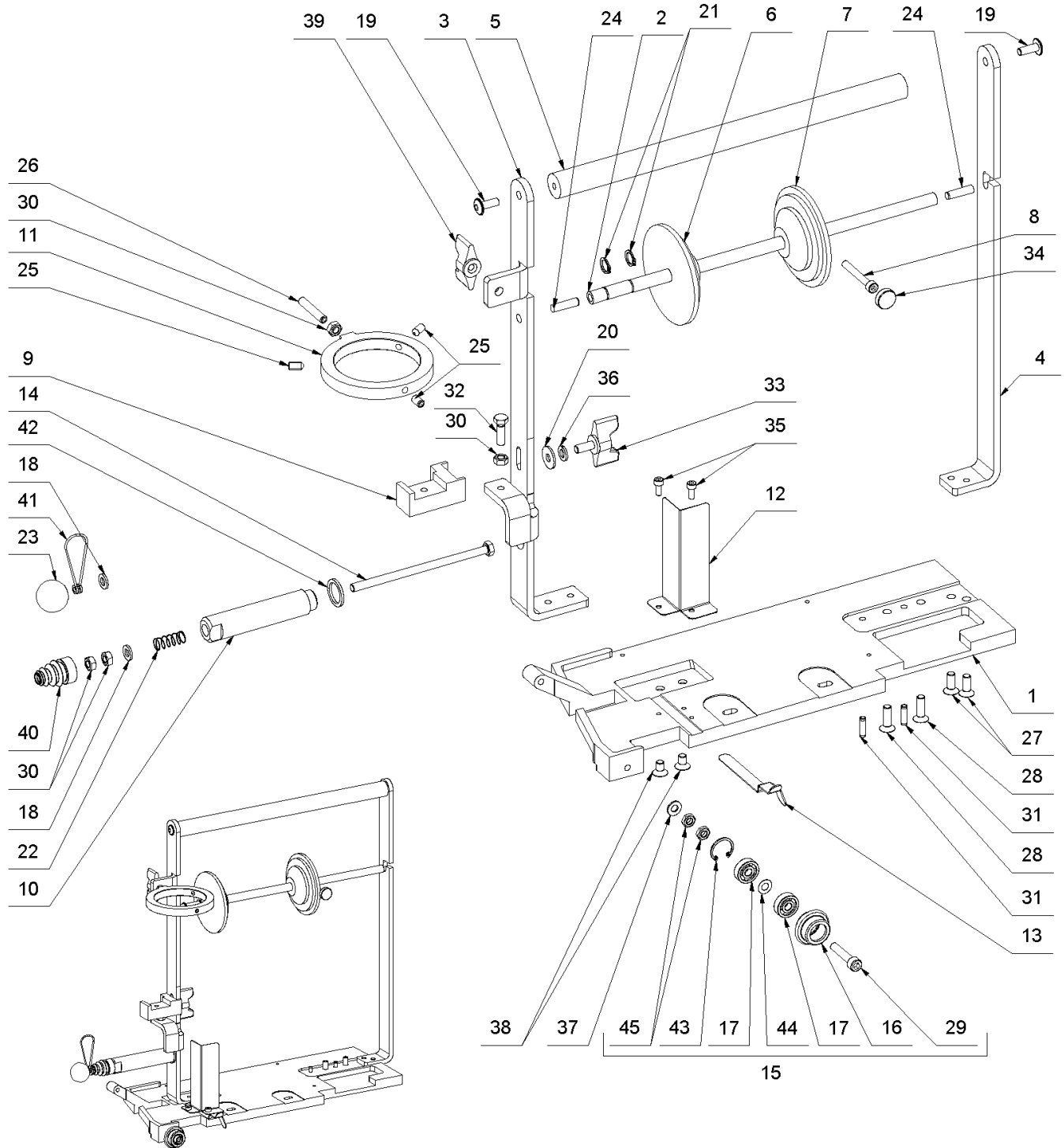
6 Weldmaster (0439/2016-0683/2020)



6 Weldmaster (0439/2016-0683/2020)

Item no.	Article no.	Description
1	05_01_056255	Basic plate
2	06_02_056392	Control electronics
3	06_03_056255	Housing block
4	06_04_056255	Drive Motor
5	02_05_056255	Wall switch off
6	02_06_056255	Heater til 2021
7	02_06_164518	Heater from 2022
8	01_08_056255	Circuit diagram
9	01_09_056255	Accesories

1 Basic plate



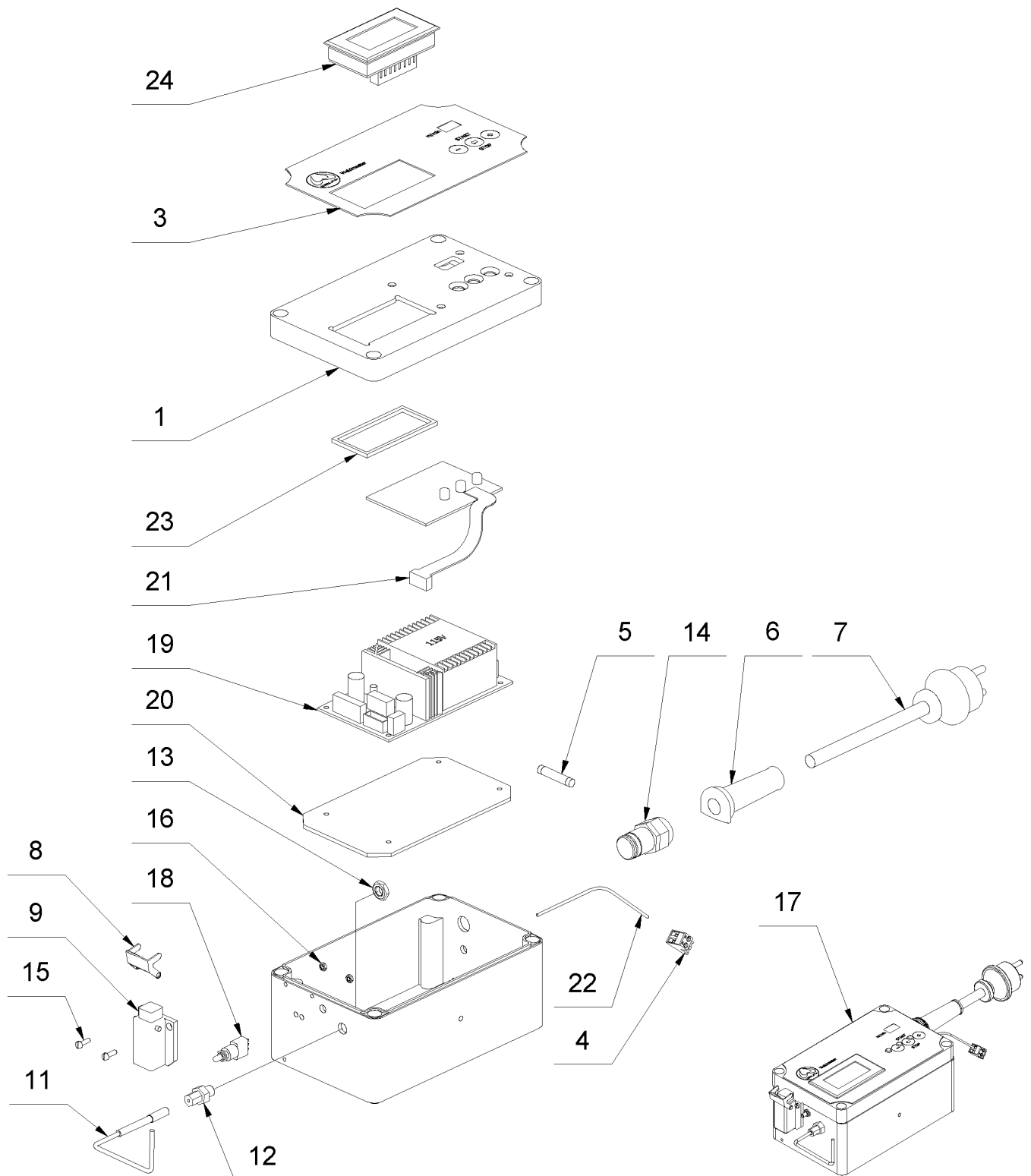
1 Basic plate

Item no.	Article no.	Description	Quantity
1	015285	Base plate SAM 2	1
2	015287	Axle for welding rod	1
3	017860	Shackle up front SAM 2	1
4	015288	Strap back SAM 2	1
5	017886	Axle f.shackle SAM 2	1
6	017421	Roller holder rigid	1
7	015289	Roller holder moveable SAM 2	1
8	014723	Cylinder head screw M5x40 DIN 912	1
9	017940	Bracket support SAM 2	1
10	056238	switch bush Weldmaster	1
11	017934	Supporting ring SAM 2	1
12	017615	Pressing plate SAM 2	1
13	015300	Nozzle cover SAM 2	1
14	056250	Hexagonal screw M 6x120 DIN 933	1
15	015040	Guide roller compl	1
16	015258	Guiding roll SM1200	1
17	017538	Ball bearing DIN625-626 6x19x6 2RS	2
18	014827	Washer M6 DIN 125 A	2
19	017552	Lens head screw M 6x16 ISO 7380	2
20	017724	Washer DIN 9021 6,4x18x1,6	1
21	017694	Safety washer A10 DIN 471	2
22	014894	Pressure spring VD-090E / 9x23,90x0,55	1
23	017543	Ball Handle 25mm M6 black	1
24	017717	Cylindrical pin 6x 24 DIN 6325	2
25	018196	Headless pin M 6x12 DIN 915	3
26	017524	Headless pin M6x40 DIN 913	1
27	014756	Countersunk screw M6x16 DIN 7991 10.9	2
28	014757	Countersunk screw M6x20 DIN 7991 10.9	2
29	017678	Cylinder head screw M6x30 DIN 912	1
30	014809	Hexagon nut M6 DIN 934	4
31	014889	Spiral pin 5x16/7374	2
32	014771	Hexagonal screw M 6x 20 DIN 933	1
33	055512	Screw M 6x15	1
34	014802	Thumb screw M 5	1

1 Basic plate

Item no.	Article no.	Description	Quantity
35	014717	Cylinder head screw M4x10 DIN 912	2
36	014843	Spring washer 6 DIN 127 B	1
37	017736	shim ring 6x12x1 DIN 988	1
38	017726	Countersunk screw M6x10 DIN 7991 10.9	2
39	047796	Wing nut M6 plastic	1
40	060722	Rubber gaiter Mambo Evo/Spider	1
41	060726	Tether Mambo Evo	1
42	014836	Sealing ring 22x17x2 SAM 2	1
43	017693	Safety washer I19 DIN 472	1
44	018076	Shim washer 6x12x0,2 DIN 988	1
45	018666	Hexagon nut M6 DIN 936	2

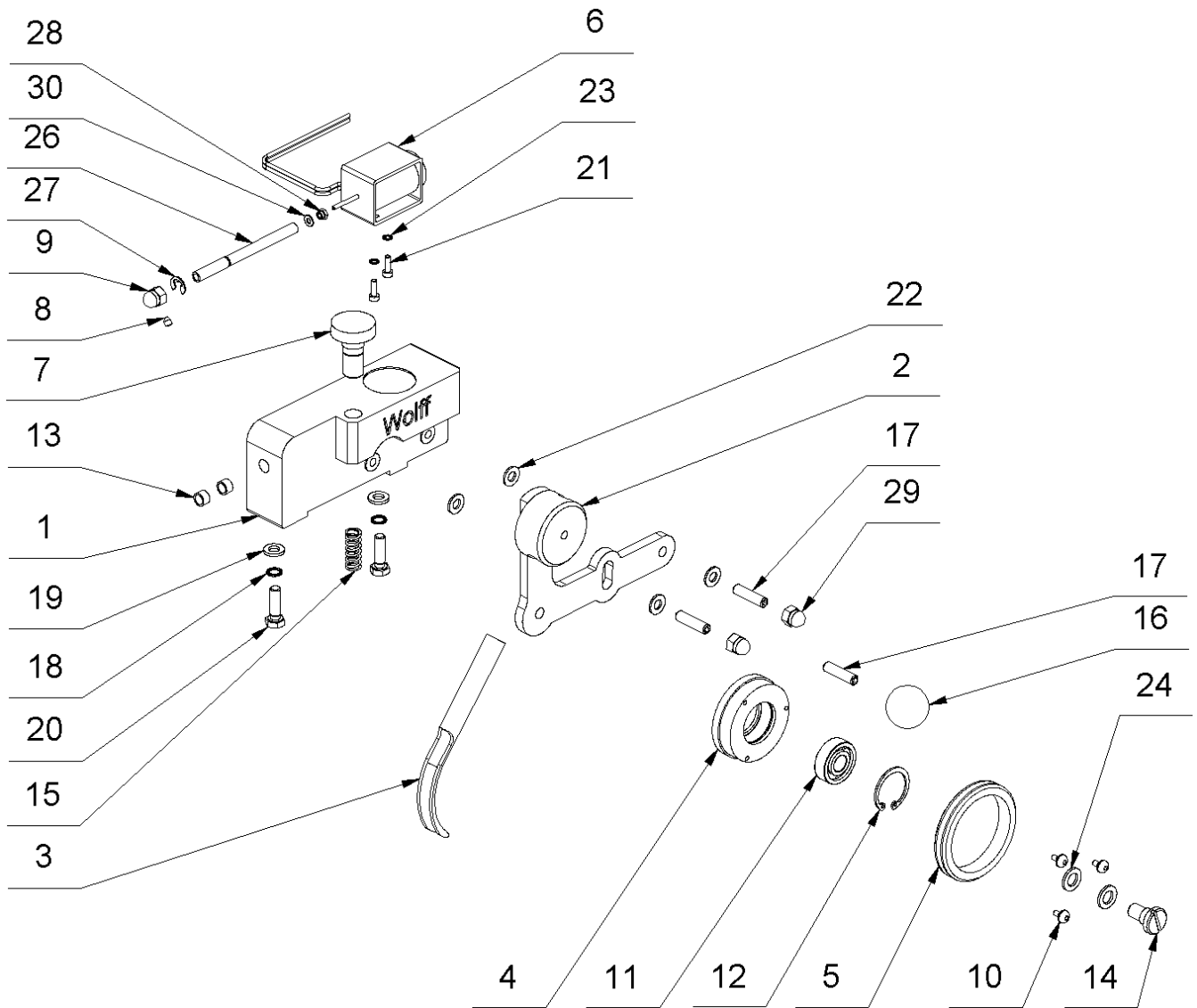
2 Control electronics



2 Control electronics

Item no.	Article no.	Description	Quantity
1	055603	Switch housing Weldmaster	1
3	055491	Keypad Weldmaster	1
4	075014	Connector 2ProngStraight Plug 24V	1
5	061532	fuse 1A SAM 2	1
6	017664	Protective rubber sleeve	1
7	014713	Cord 2x1,5 ² x4m black w.nonrewireableplug	1
8	017795	Retaining Clip SAM 2	1
9	017560	Attachment coupling SAM 2	1
11	056751	temp.measuring needle cpl. Weldmaster	1
12	055496	fitting M8x1 Weldmaster	1
13	055513	Hexagon nut M8x1 DIN 936	1
14	014992	Protective cut-out switch	1
15	018246	Cylinder head screw M3x10 DIN 84	2
16	017629	Hexagon nut M3 DIN 934	2
17	056392	Electronics cpl.230V Weldmaster	1
18	014983	Calipers SAM 2	1
19	074581	Platine cpl. 230V Weldmaster	1
20	017930	Mounting plate SAM 2	1
21	056009	Platine Electronics Weldm./SAM2	1
22	014713	Cord 2x1,5 ² x4m black w.nonrewireableplug	1
23	010369	Frame Temp.display Weldmaster	1
24	010438	Temperature display Weldmaster 01/20	1
o.Abb.	079056	Plug 3-pol. 230V DK	1

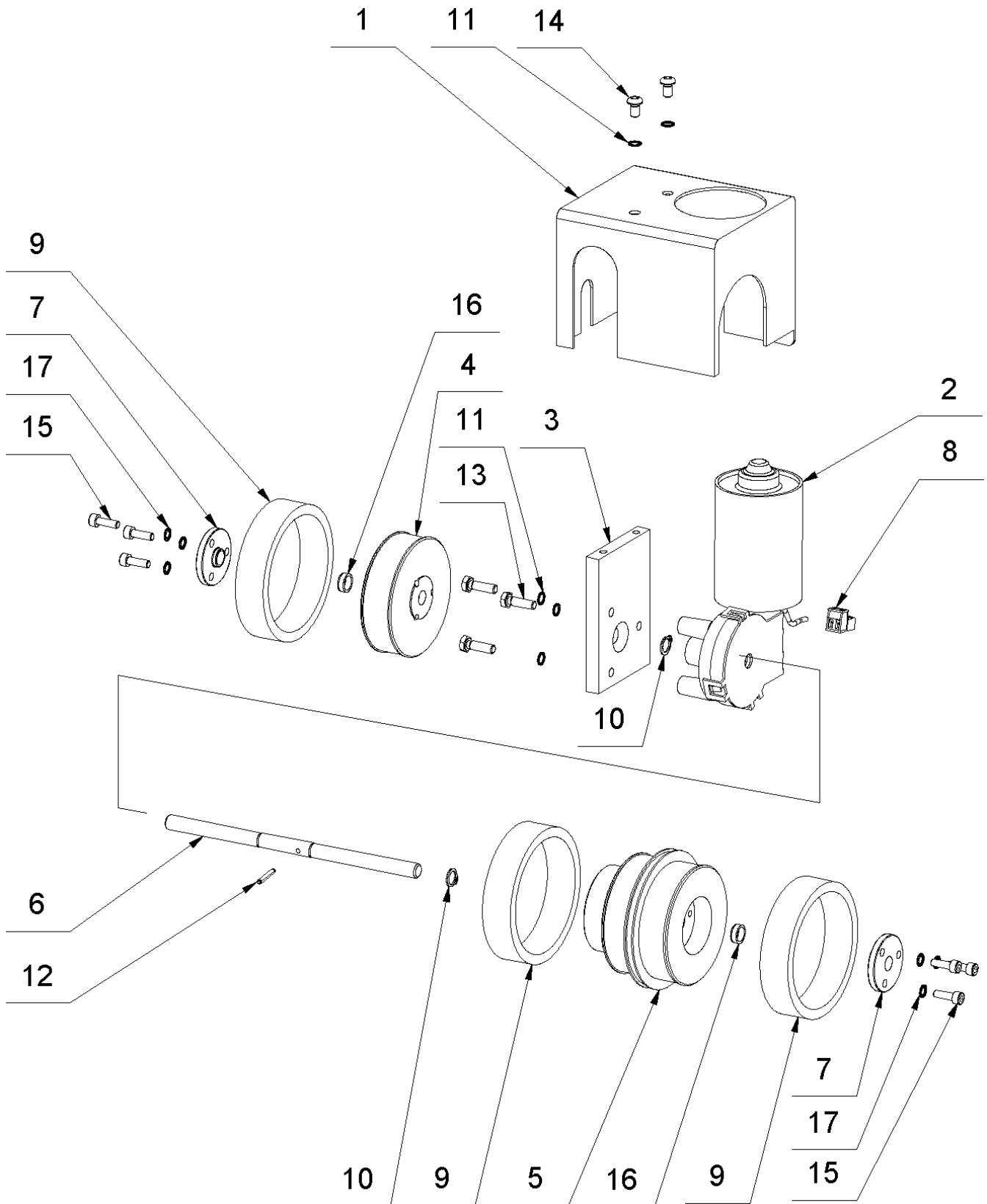
3 Housing block



3 Housing block

Item no.	Article no.	Description	Quantity
1	017880	Housing SAM 2	1
2	017882	Rocker SAM 2	1
3	015291	Welding rod feeding tube SAM 2	1
4	017933	Rim for welding wheel SAM 2	1
5	015282	Pressure roller SAM 2	1
6	015296	Shifting magnet SAM 2	1
7	017973	Knurled bolt M12x20	1
8	064786	Thread pin M 4x 4 DIN 916	1
9	017986	cap nut SAM 2	1
10	017555	Lens head screw M3x6	3
11	017001	Ball Bearing 6000 2RSH	1
12	017692	Safety washer I26 / DIN 472	1
13	017759	Bushing 0605	2
14	017716	Flat head screw M8x 6 DIN 923	1
15	017751	Pressure spring VD-198 / 9,25x33x1,25	1
16	017543	Ball Handle 25mm M6 black	1
17	017683	Headless pin M 6x25 DIN 914	3
18	014859	Schnorr washer M6	2
19	014827	Washer M6 DIN 125 A	2
20	014771	Hexagonal screw M 6x 20 DIN 933	2
21	014715	Cylinder head screw M3x10 DIN 912	2
22	017736	shim ring 6x12x1 DIN 988	4
23	017772	Schnorr washer M3	2
24	017648	shim ring 8x14x1,5 DIN 988	2
26	017972	Shifting rod SAM 2	1
27	017714	Safety washer d5 DIN 6799	1
28	014789	Stud bolt M10x80 DIN 939 5.8 zinned	1
29	017687	Cap nut M 6 DIN 1587	2
30	018223	disc M 3 DIN 125B vzkt	1

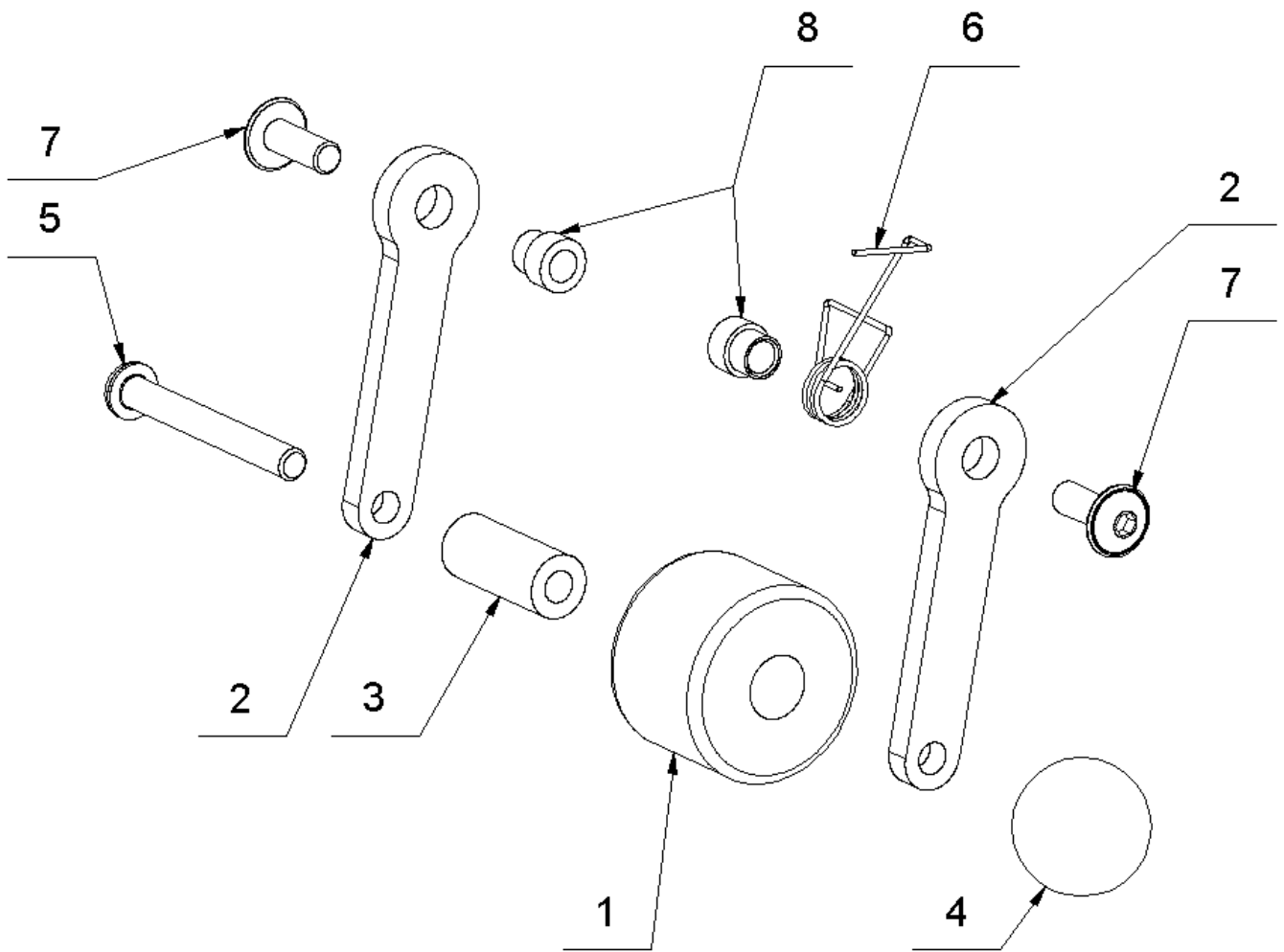
4 Drive Motor



4 Drive Motor

Item no.	Article no.	Description	Quantity
1	017853	Axle housing SAM 2	1
2	082073	Motor 230V+115V SAM2 ab08/16 kompl.	1
3	017903	Ball bearing SAM 2	1
4	017849	Driving wheel, narrow SAM 2	1
5	017833	Driving wheel SAM 2	1
6	015292	Axle Drive shaft SAM 2	1
7	017942	Tension flange SAM 2	2
8	075016	Male 2-Prong Straight Plug 24V	1
9	014930	Rubber band d62xd82x22 SAM 2	3
10	017694	Safety washer A10 DIN 471	2
11	014859	Schnorr washer M6	5
12	017775	spiral spring pin 3x20 DIN 7343	1
13	014771	Hexagonal screw M 6x 20 DIN 933	3
14	014799	Lens head screw M6x10	2
15	017610	Cylinder head screw M5x16 DIN 912	6
16	017774	Clamping sleeve 10x13 SAM 2	2
17	014858	Schnorr washer M5	6

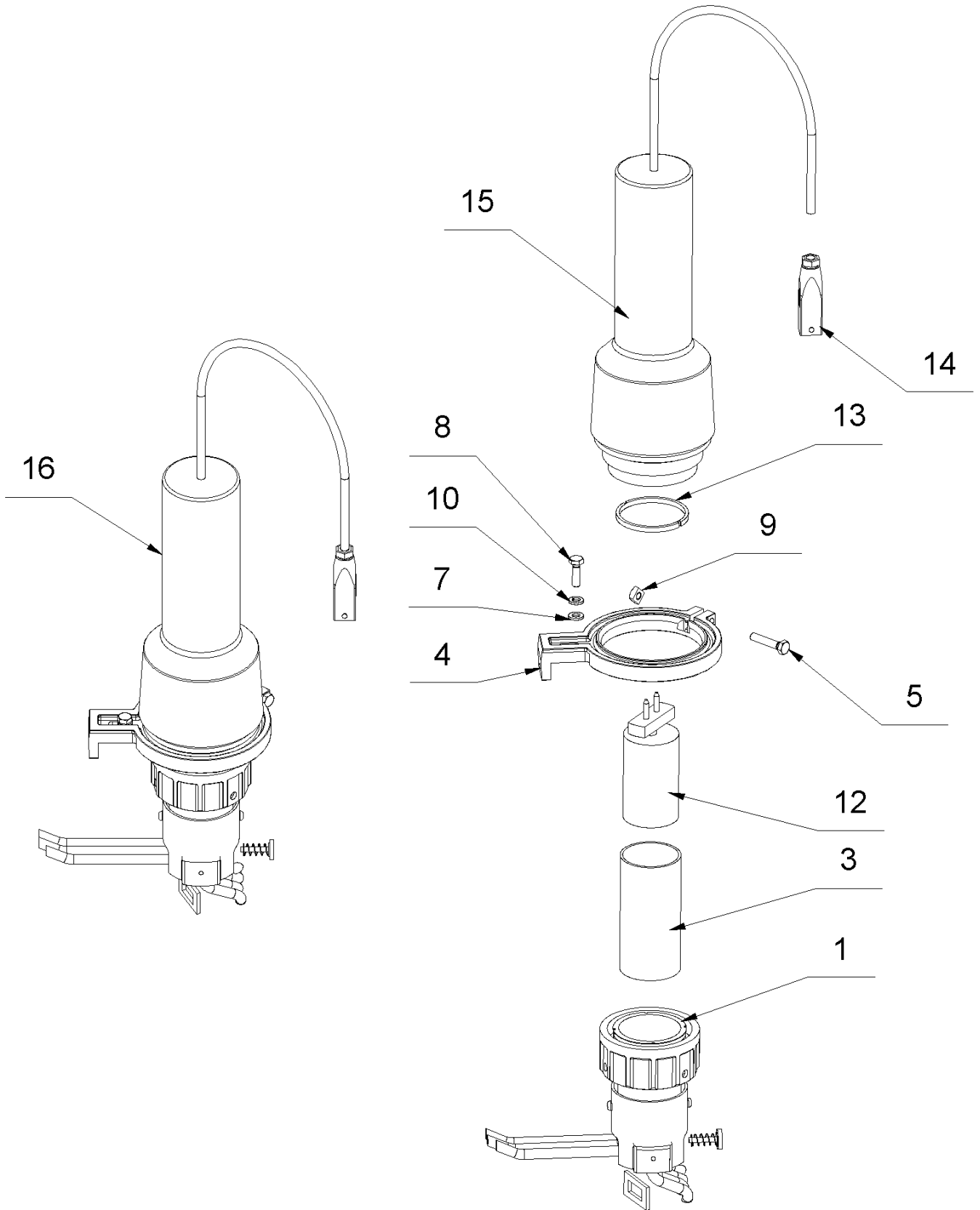
5 Wall switch off



5 Wall switch off

Item no.	Article no.	Description	Quantity
1	056236	reel Weldmaster	1
2	056235	lever Weldmaster	2
3	056237	Bague p.poulie Weldmaster	1
4	017543	Ball Handle 25mm M6 black	1
5	056251	Lens head screw M6x50 ISO 7380	1
6	056621	leg spring Weldmaster	2
7	017552	Lens head screw M 6x16 ISO 7380	2
8	017978	distance bushing SAM 2 Abhebevorr.	2

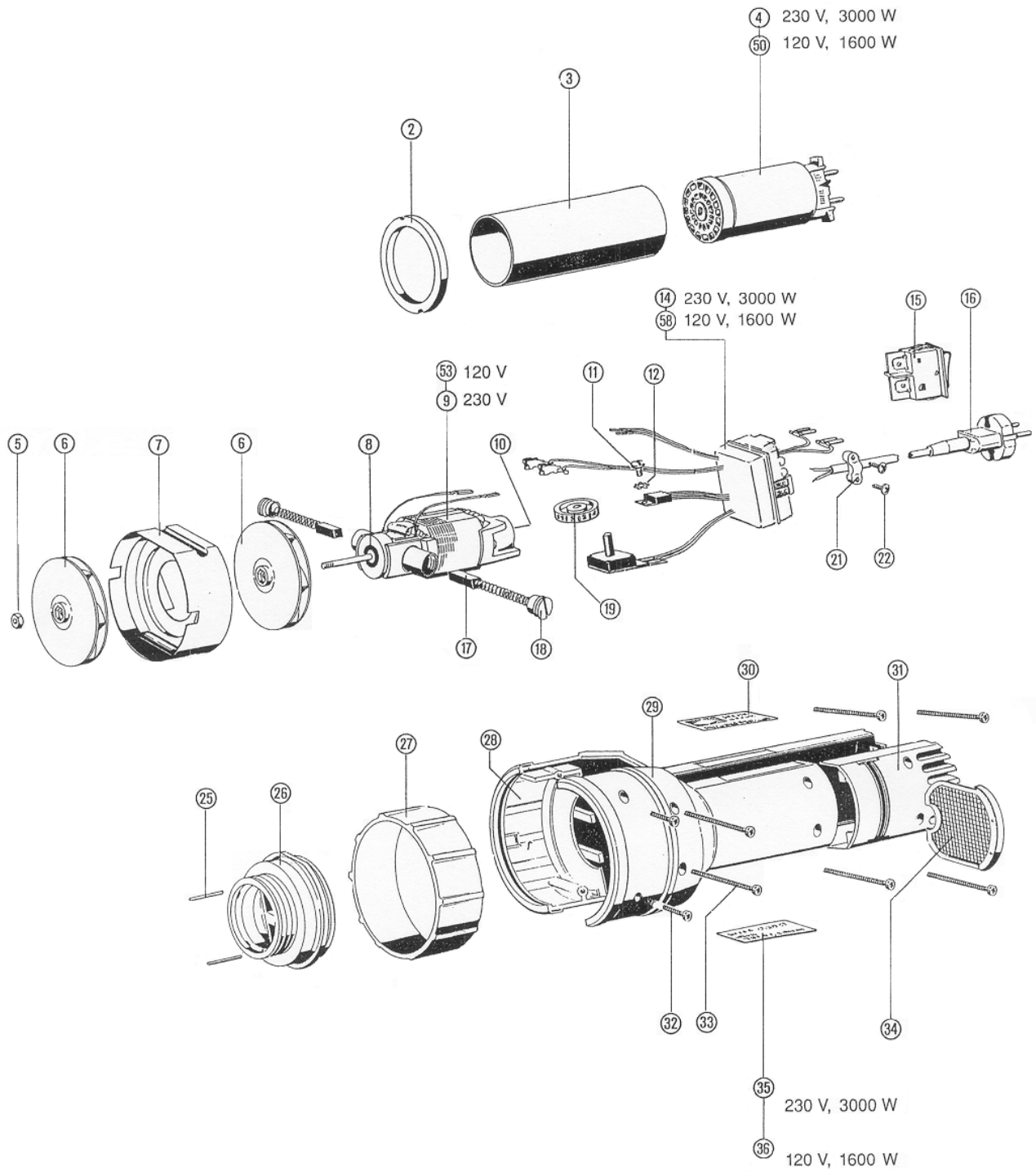
6 Heater til 2021



6 Heater til 2021

Item no.	Article no.	Description	Quantity
1	055498	Welding gun top w.temp.displayWeldmaster	1
3	019289	Insulating tube SAM 2 f.heating element	1
4	015286	Bracket SAM 2	1
5	014773	Hexagonal screw M 6x 30 DIN933	1
6	017576	Burner 120V SAM 2/50-60Hz	1
7	014827	Washer M6 DIN 125 A	1
8	014771	Hexagonal screw M 6x 20 DIN 933	1
9	014819	Square nut M6/557	1
10	014843	Spring washer 6 DIN 127 B	1
11	018515	Heating element 115V 1600W SAM 2	1
12	013480	Heating element, 3.0 KW	1
13	017729	Insulated disc SAM 2	1
14	017635	Plug with traction relief SAM 2	1
15	015295	Hot air device 230V SAM2 SEE 164518	1
16		Heater compl. see 164518	1

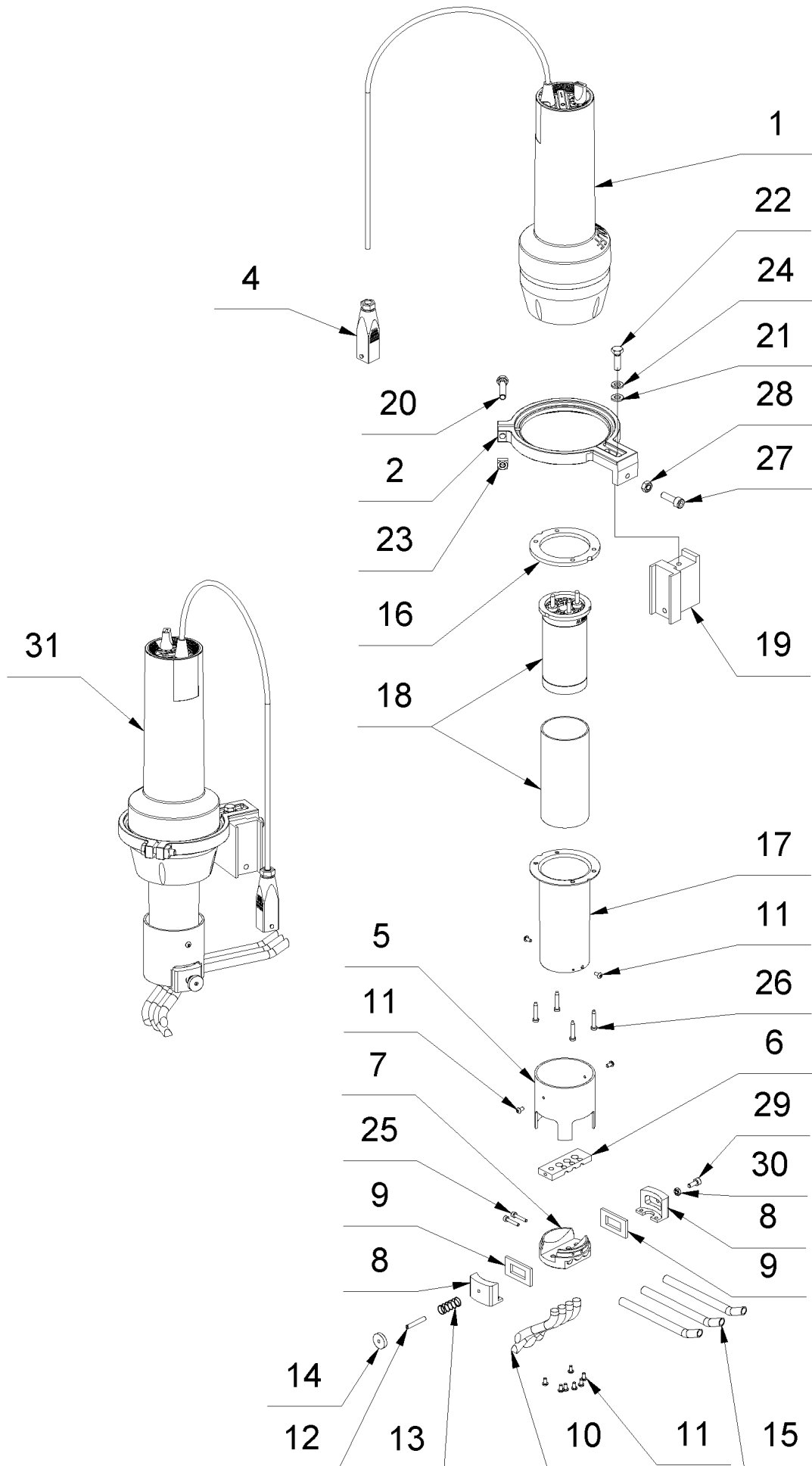
15 Hot air device 230V SAM2 SEE 164518



15 Hot air device 230V SAM2 SEE 164518

Item no.	Article no.	Description
2	017729	Grummet
3	019289	Insulating tube
4	013480	Heating element
5		Hexagon nut
6	064776	cooling fan cpl. SAM 2
7	068052	fan housing SAM 2
8		Ball bearing
9	021274	Installation engine SAM 2
10		Ball bearing
11		Cylindrical screw
12		Belt pulley
14	017482	Elektronic K25.30 SAM 2 /230V
15	050873	Switch SAM 2
16		Electrical cord
17	017461	Carbon brush 230V+115VSAM 2
18		Screw
19	041882	Rotary button f.electronic control SAM 2
21		Ring bolt
22		Screw
25		Pin
26	021038	Housing cap f.burner SAM 2
27		Charge ring
28		Housing left
29		Housing right
30		Logo
31		Cover
32		Binding head
33		Binding head
34	079803	Sieve SAM 2
35		Type plate
36		Type plate
50	018515	Heating element 115V 1600W SAM 2
53		Motor
58	071015	Elektronic K25.16 SAM 2 /120V

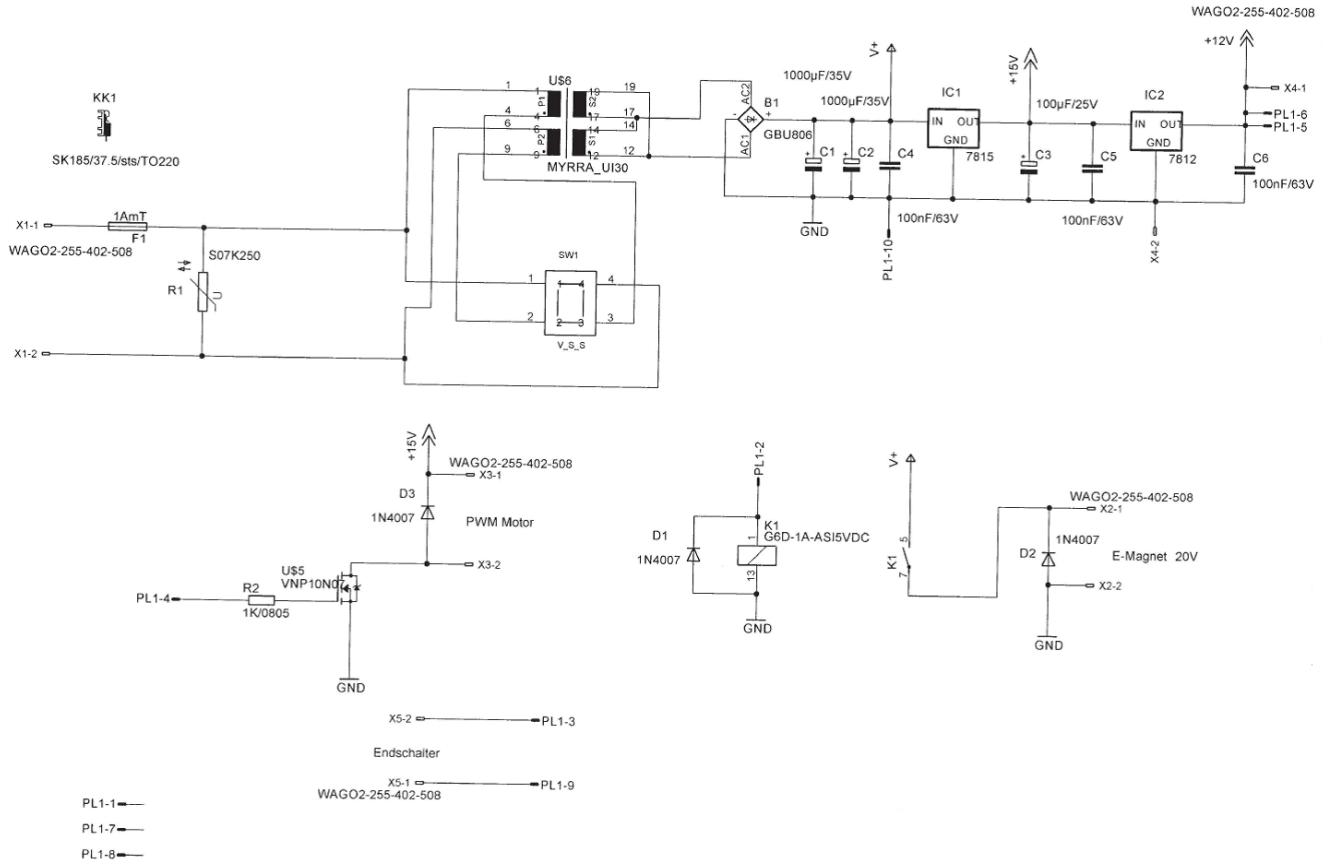
7 Heater from 2022



7 Heater from 2022

Item no.	Article no.	Description	Quantity
1	163960	Hot air device basic Phoenix 3400 230V	1
2	164448	Support arm Phoenix Weldmaster 1.0	1
4	017635	Plug with traction relief SAM 2	1
5	017595	Protective pipe SAM 2	1
6	017941	Slider SAM 2	1
7	164447	Slider housing Phoenix Weldmaster 1.0	1
8	017963	Tight housing SAM 2	2
9	017917	Sealing SAM 2	2
10	015293	Welding nozzle SAM 2	1
11	017555	Lens head screw M3x6	11
12	017981	Screw M 4 SAM 2	1
13	060822	pressure spring temperature	1
14	017707	Knurled nut M 4 DIN 467 vzkt	1
15	017965	Nozzle to deflect SAM 2	3
16	163963	Gasket Phoenix 3400	1
17	164445	Heating pipe Phoenix Weldmaster 1.0	1
18	163964	Heating element Phoenix 3400	1
19	164446	Support arm support Phoenix Weldmaster	1
20	014773	Hexagonal screw M 6x 30 DIN933	1
21	014827	Washer M6 DIN 125 A	1
22	014771	Hexagonal screw M 6x 20 DIN 933	1
23	014819	Square nut M6/557	1
24	014843	Spring washer 6 DIN 127 B	1
25	018290	Cylinder head screw M3x16 DIN 912	2
26	164443	Plastic screw Ø3,5x19	4
27	014730	Cylinder head screw M 6x20 DIN 912	1
28	014809	Hexagon nut M6 DIN 934	1
29	014717	Cylinder head screw M4x10 DIN 912	1
30	017630	Hexagon nut M 4 DIN 934	1
31	164518	BG Phoenix heater 230V Weldmaster 1.0	1

8 Circuit diagram

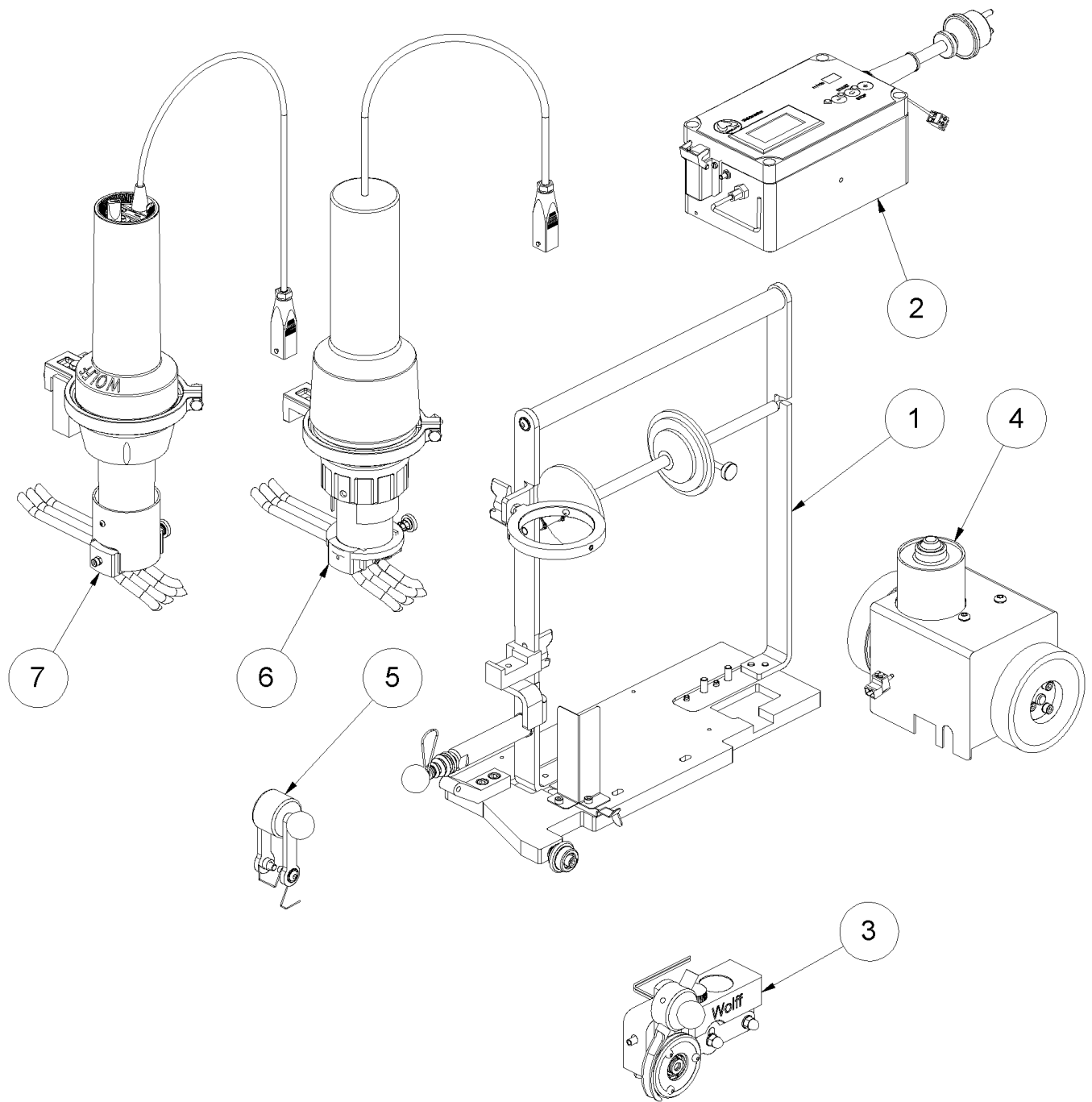


8 Circuit diagram

9 Accessories

Item no.	Article no.	Description	Quantity
1	015284	Carrying case 500x235x435 SAM 2	1
2	015683	Cleaning brush, brass	1
3	056293	Technical instructions Weldmaster 3-sp	1
4	013480	Heating element, 3.0 KW	1

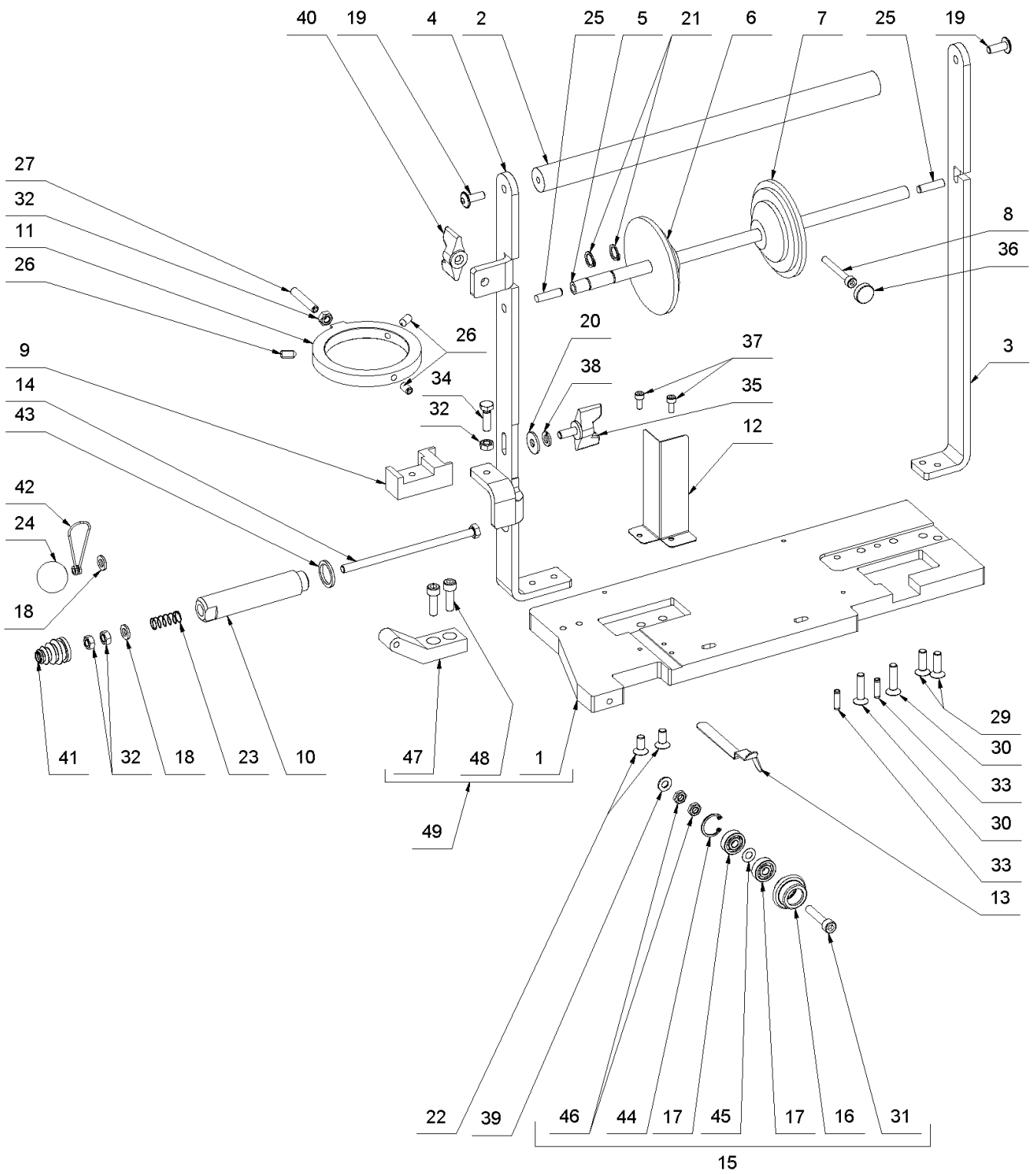
7 Weldmaster (0684/2020-0753/2021)



7 Weldmaster (0684/2020-0753/2021)

Item no.	Article no.	Description
1	07_01_056255	Basic plate
2	06_02_056392	Control electronics
3	06_03_056255	Housing block
4	06_04_056255	Drive Motor
5	02_05_056255	Wall switch off
6	02_06_056255	Heater til 2021
7	02_06_164518	Heater from 2022
8	01_08_056255	Circuit diagram
9	01_09_056255	Accesories

1 Basic plate



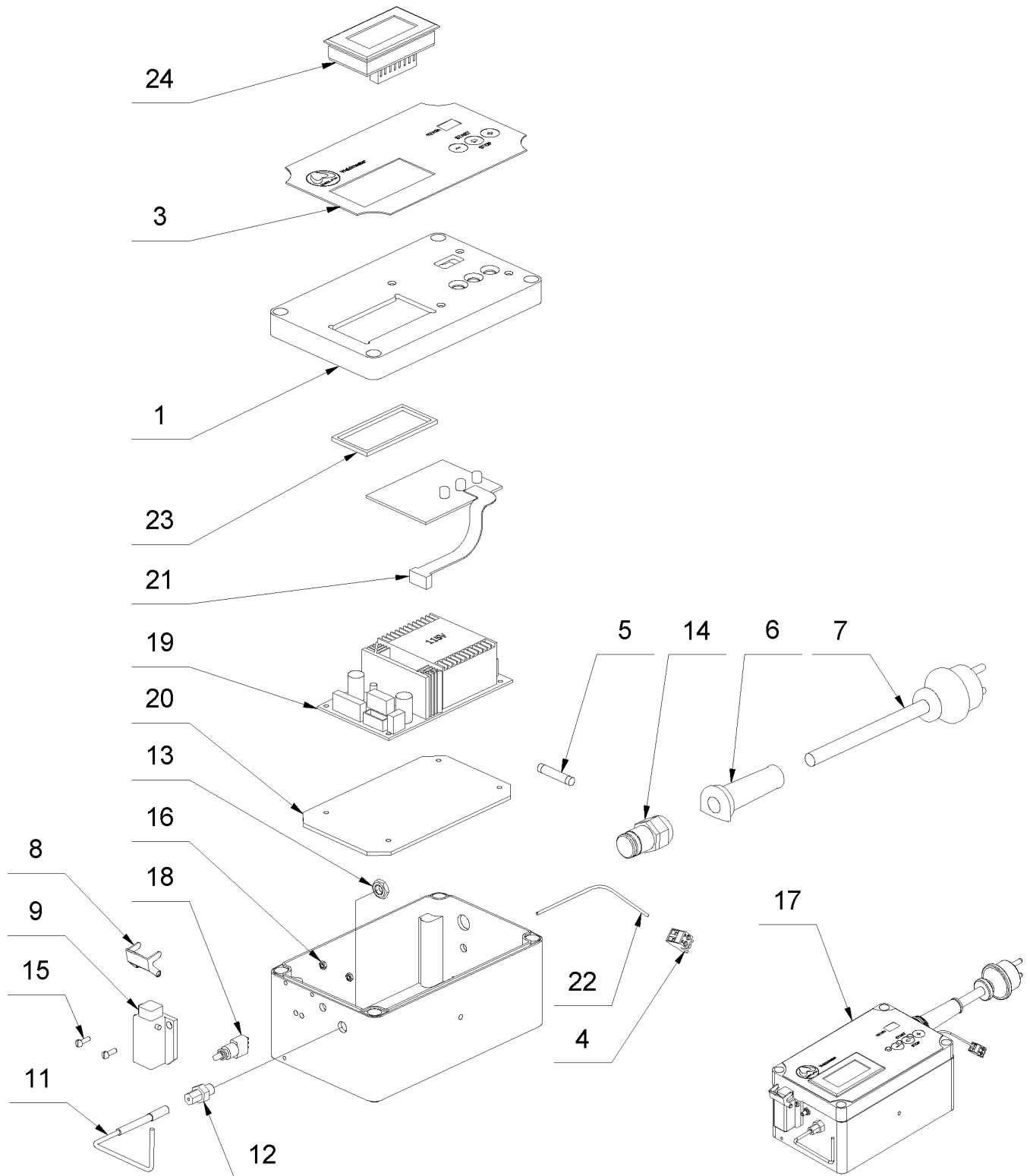
1 Basic plate

Item no.	Article no.	Description	Quantity
1	088538	Base support Vollmat.Weldmaster/SAM2	1
2	017886	Axle f.shackle SAM 2	1
3	015288	Strap back SAM 2	1
4	017860	Shackle up front SAM 2	1
5	015287	Axle for welding rod	1
6	017421	Roller holder rigid	1
7	015289	Roller holder moveable SAM 2	1
8	014723	Cylinder head screw M5x40 DIN 912	1
9	017940	Bracket support SAM 2	1
10	056238	switch bush Weldmaster	1
11	017934	Supporting ring SAM 2	1
12	017615	Pressing plate SAM 2	1
13	015300	Nozzle cover SAM 2	1
14	056250	Hexagonal screw M 6x120 DIN 933	1
15	015040	Guide roller compl	1
16	015258	Guiding roll SM1200	1
17	017538	Ball bearing DIN625-626 6x19x6 2RS	2
18	014827	Washer M6 DIN 125 A	2
19	017552	Lens head screw M 6x16 ISO 7380	2
20	017724	Washer DIN 9021 6,4x18x1,6	1
21	017694	Safety washer A10 DIN 471	2
22	018317	Countersunk screw M6x14 DIN 7991 10.9	2
23	014894	Pressure spring VD-090E / 9x23,90x0,55	1
24	017543	Ball Handle 25mm M6 black	1
25	017717	Cylindrical pin 6x 24 DIN 6325	2
26	018196	Headless pin M 6x12 DIN 915	3
27	017524	Headless pin M6x40 DIN 913	1
29	014757	Countersunk screw M6x20 DIN 7991 10.9	2
30	014758	Countersunk screw M6x25 DIN 7991 10.9	2
31	017678	Cylinder head screw M6x30 DIN 912	1
32	014809	Hexagon nut M6 DIN 934	4
33	014889	Spiral pin 5x16/7374	2
34	014771	Hexagonal screw M 6x 20 DIN 933	1
35	055512	Screw M 6x15	1

1 Basic plate

Item no.	Article no.	Description	Quantity
36	014802	Thumb screw M 5	1
37	014717	Cylinder head screw M4x10 DIN 912	2
38	014843	Spring washer 6 DIN 127 B	1
39	017736	shim ring 6x12x1 DIN 988	1
40	047796	Wing nut M6 plastic	1
41	060722	Rubber gaiter Mambo Evo/Spider	1
42	060726	Tether Mambo Evo	1
43	014836	Sealing ring 22x17x2 SAM 2	1
44	017693	Safety washer I19 DIN 472	1
45	018076	Shim washer 6x12x0,2 DIN 988	1
46	018666	Hexagon nut M6 DIN 936	2
47	019781	Halter SAM 2 Abhebevorr.	1
48	014730	Cylinder head screw M 6x20 DIN 912	2
49	088545	Base plate Weldmaster/SAM2	1

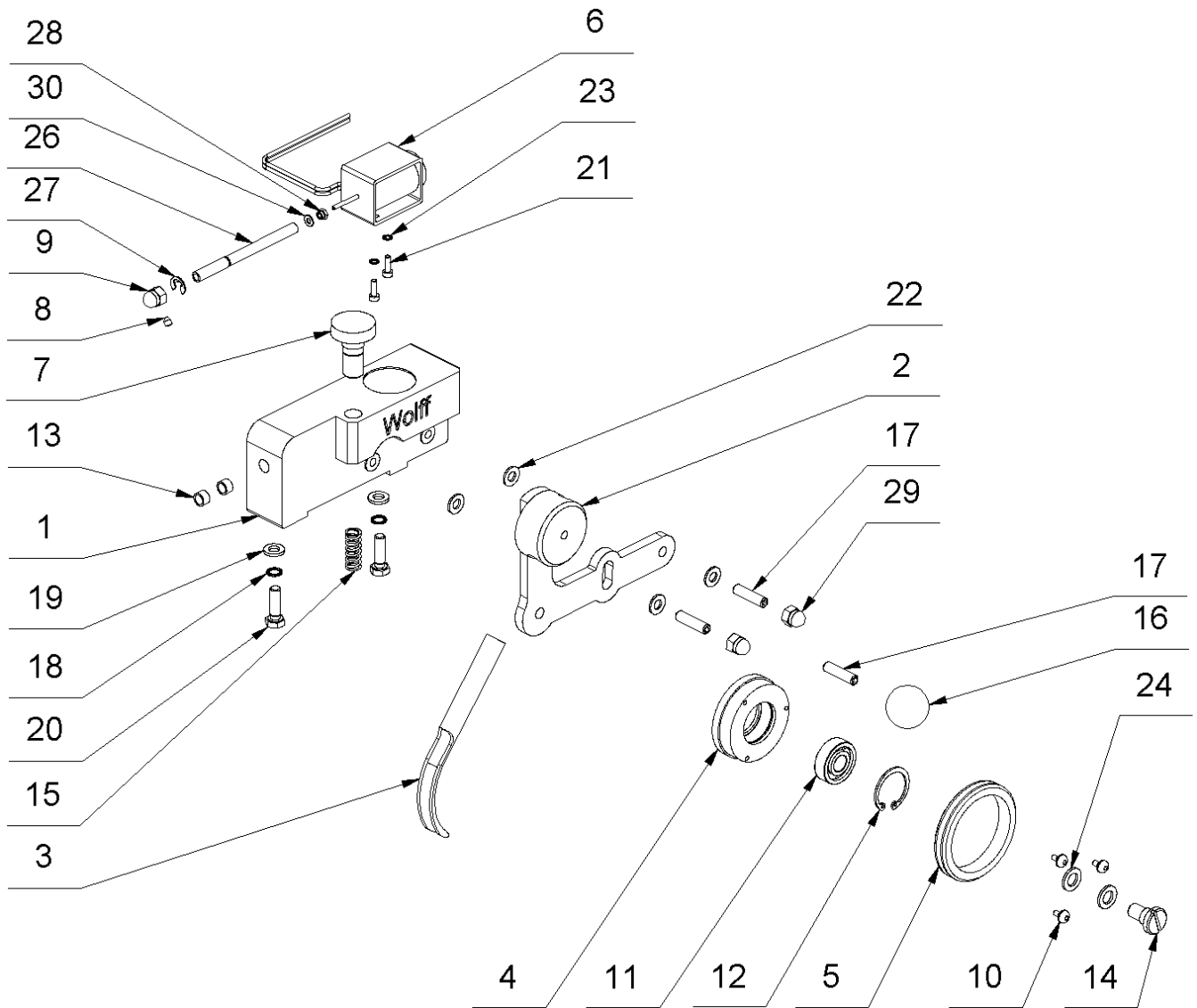
2 Control electronics



2 Control electronics

Item no.	Article no.	Description	Quantity
1	055603	Switch housing Weldmaster	1
3	055491	Keypad Weldmaster	1
4	075014	Connector 2ProngStraight Plug 24V	1
5	061532	fuse 1A SAM 2	1
6	017664	Protective rubber sleeve	1
7	014713	Cord 2x1,5 ² x4m black w.nonrewireableplug	1
8	017795	Retaining Clip SAM 2	1
9	017560	Attachment coupling SAM 2	1
11	056751	temp.measuring needle cpl. Weldmaster	1
12	055496	fitting M8x1 Weldmaster	1
13	055513	Hexagon nut M8x1 DIN 936	1
14	014992	Protective cut-out switch	1
15	018246	Cylinder head screw M3x10 DIN 84	2
16	017629	Hexagon nut M3 DIN 934	2
17	056392	Electronics cpl.230V Weldmaster	1
18	014983	Calipers SAM 2	1
19	074581	Platine cpl. 230V Weldmaster	1
20	017930	Mounting plate SAM 2	1
21	056009	Platine Electronics Weldm./SAM2	1
22	014713	Cord 2x1,5 ² x4m black w.nonrewireableplug	1
23	010369	Frame Temp.display Weldmaster	1
24	010438	Temperature display Weldmaster 01/20	1

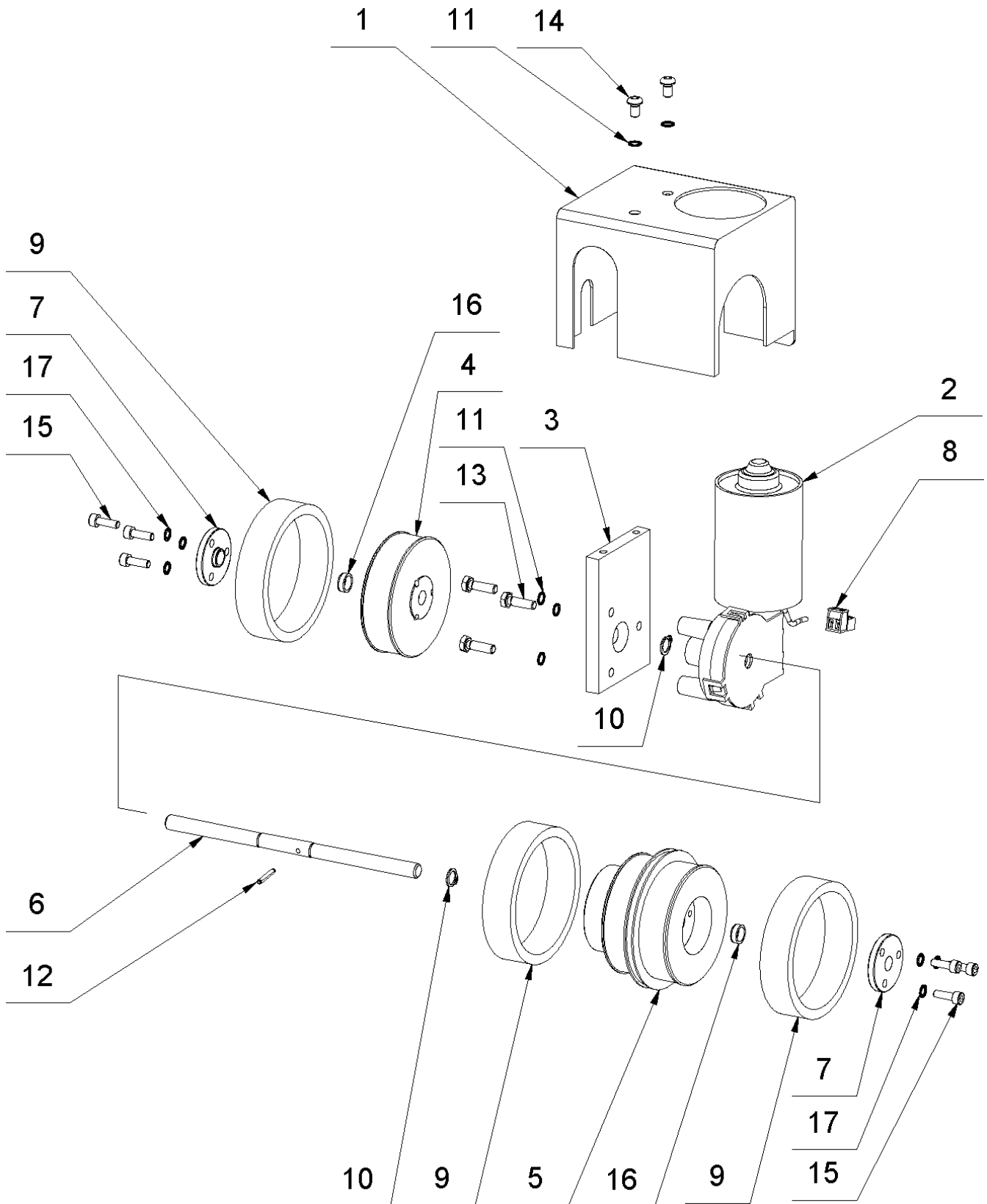
3 Housing block



3 Housing block

Item no.	Article no.	Description	Quantity
1	017880	Housing SAM 2	1
2	017882	Rocker SAM 2	1
3	015291	Welding rod feeding tube SAM 2	1
4	017933	Rim for welding wheel SAM 2	1
5	015282	Pressure roller SAM 2	1
6	015296	Shifting magnet SAM 2	1
7	017973	Knurled bolt M12x20	1
8	064786	Thread pin M 4x 4 DIN 916	1
9	017986	cap nut SAM 2	1
10	017555	Lens head screw M3x6	3
11	017001	Ball Bearing 6000 2RSH	1
12	017692	Safety washer I26 / DIN 472	1
13	017759	Bushing 0605	2
14	017716	Flat head screw M8x 6 DIN 923	1
15	017751	Pressure spring VD-198 / 9,25x33x1,25	1
16	017543	Ball Handle 25mm M6 black	1
17	017683	Headless pin M 6x25 DIN 914	3
18	014859	Schnorr washer M6	2
19	014827	Washer M6 DIN 125 A	2
20	014771	Hexagonal screw M 6x 20 DIN 933	2
21	014715	Cylinder head screw M3x10 DIN 912	2
22	017736	shim ring 6x12x1 DIN 988	4
23	017772	Schnorr washer M3	2
24	017648	shim ring 8x14x1,5 DIN 988	2
26	017972	Shifting rod SAM 2	1
27	017714	Safety washer d5 DIN 6799	1
28	014789	Stud bolt M10x80 DIN 939 5.8 zined	1
29	017687	Cap nut M 6 DIN 1587	2
30	018223	disc M 3 DIN 125B vzkt	1

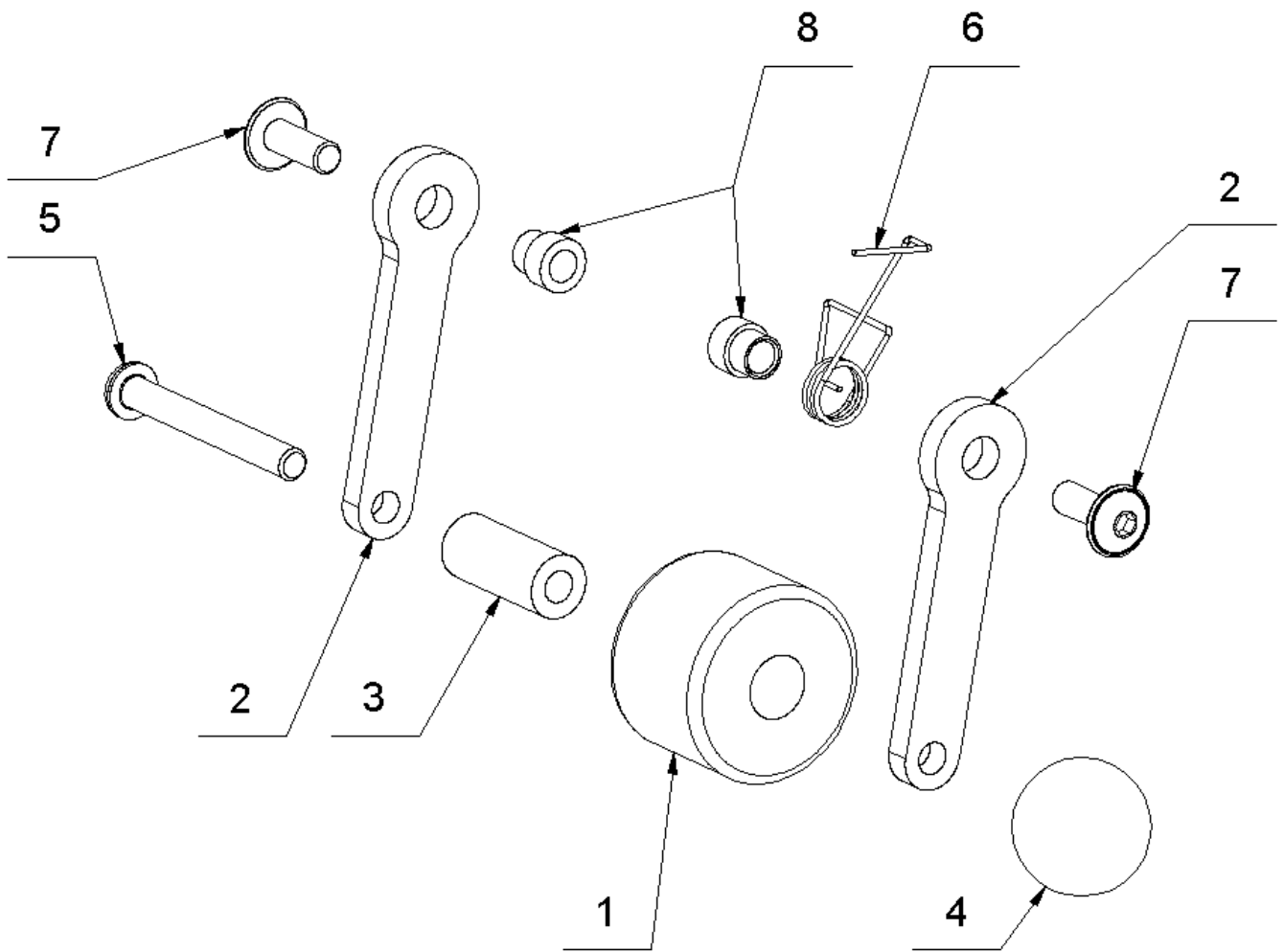
4 Drive Motor



4 Drive Motor

Item no.	Article no.	Description	Quantity
1	017853	Axle housing SAM 2	1
2	082073	Motor 230V+115V SAM2 ab08/16 kompl.	1
3	017903	Ball bearing SAM 2	1
4	017849	Driving wheel, narrow SAM 2	1
5	017833	Driving wheel SAM 2	1
6	015292	Axle Drive shaft SAM 2	1
7	017942	Tension flange SAM 2	2
8	075016	Male 2-Prong Straight Plug 24V	1
9	014930	Rubber band d62xd82x22 SAM 2	3
10	017694	Safety washer A10 DIN 471	2
11	014859	Schnorr washer M6	5
12	017775	spiral spring pin 3x20 DIN 7343	1
13	014771	Hexagonal screw M 6x 20 DIN 933	3
14	014799	Lens head screw M6x10	2
15	017610	Cylinder head screw M5x16 DIN 912	6
16	017774	Clamping sleeve 10x13 SAM 2	2
17	014858	Schnorr washer M5	6

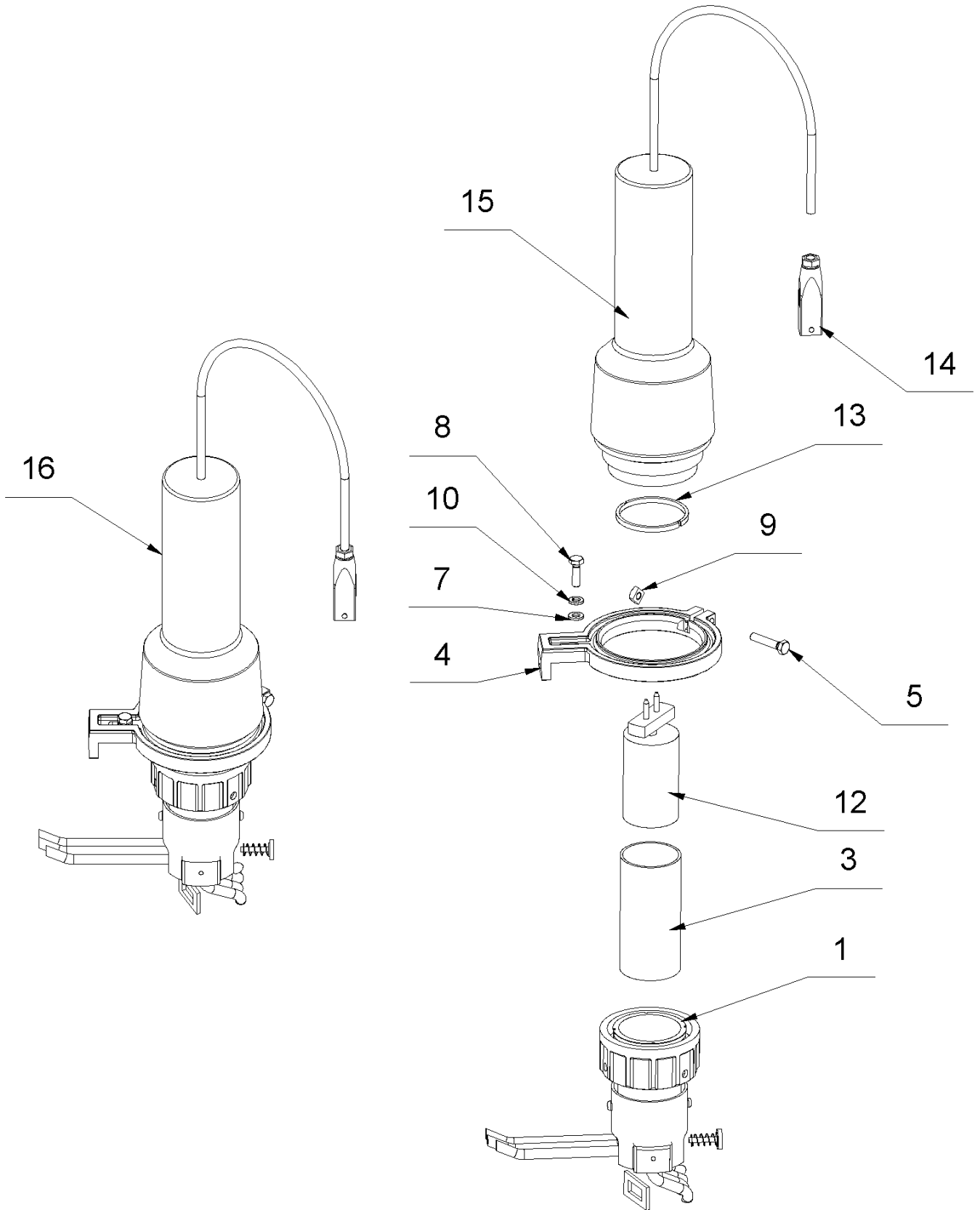
5 Wall switch off



5 Wall switch off

Item no.	Article no.	Description	Quantity
1	056236	reel Weldmaster	1
2	056235	lever Weldmaster	2
3	056237	Bague p.poulie Weldmaster	1
4	017543	Ball Handle 25mm M6 black	1
5	056251	Lens head screw M6x50 ISO 7380	1
6	056621	leg spring Weldmaster	2
7	017552	Lens head screw M 6x16 ISO 7380	2
8	017978	distance bushing SAM 2 Abhebevorr.	2

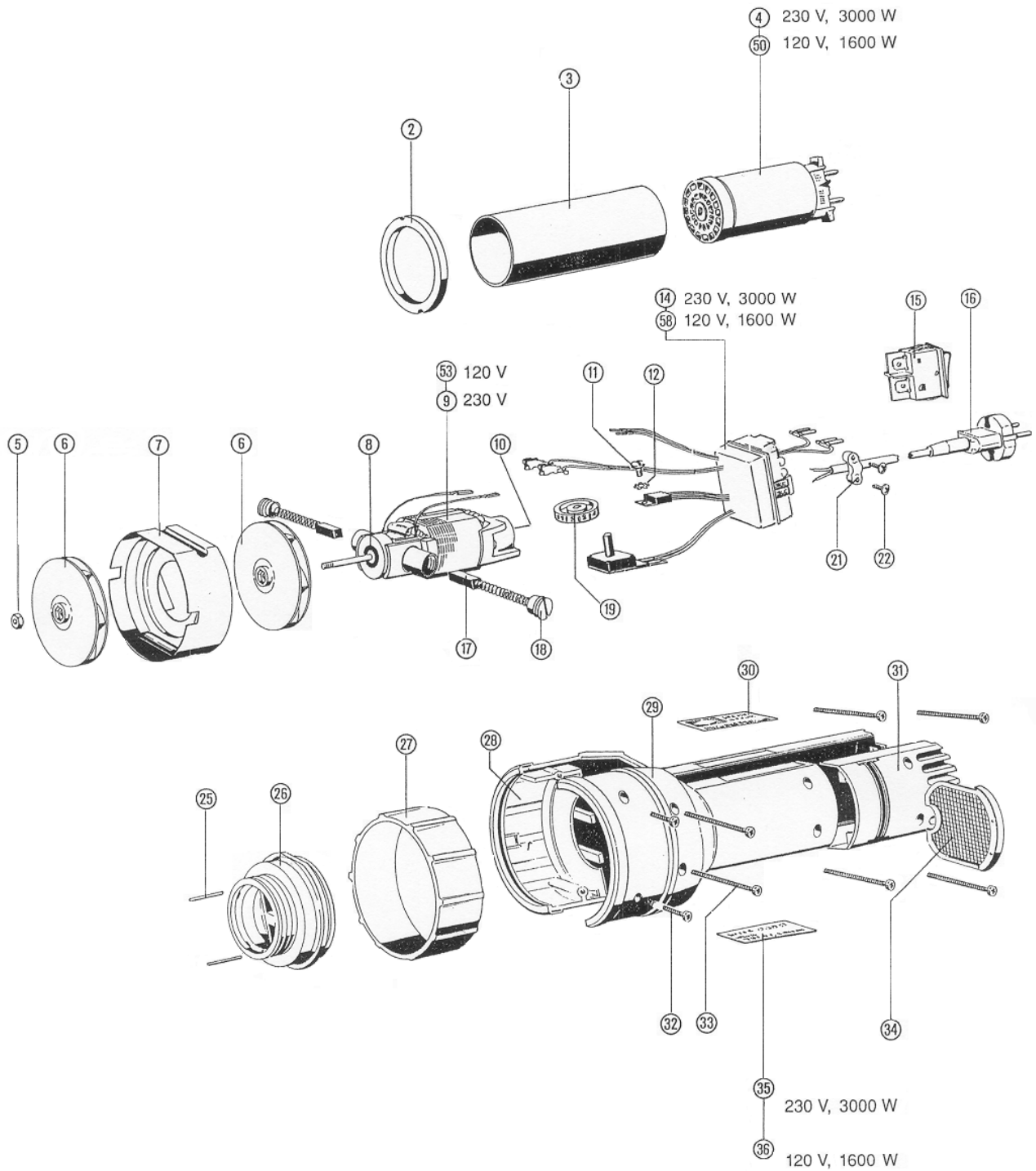
6 Heater til 2021



6 Heater til 2021

Item no.	Article no.	Description	Quantity
1	055498	Welding gun top w.temp.displayWeldmaster	1
3	019289	Insulating tube SAM 2 f.heating element	1
4	015286	Bracket SAM 2	1
5	014773	Hexagonal screw M 6x 30 DIN933	1
6	017576	Burner 120V SAM 2/50-60Hz	1
7	014827	Washer M6 DIN 125 A	1
8	014771	Hexagonal screw M 6x 20 DIN 933	1
9	014819	Square nut M6/557	1
10	014843	Spring washer 6 DIN 127 B	1
11	018515	Heating element 115V 1600W SAM 2	1
12	013480	Heating element, 3.0 KW	1
13	017729	Insulated disc SAM 2	1
14	017635	Plug with traction relief SAM 2	1
15	015295	Hot air device 230V SAM2 SEE 164518	1
16		Heater compl. see 164518	1

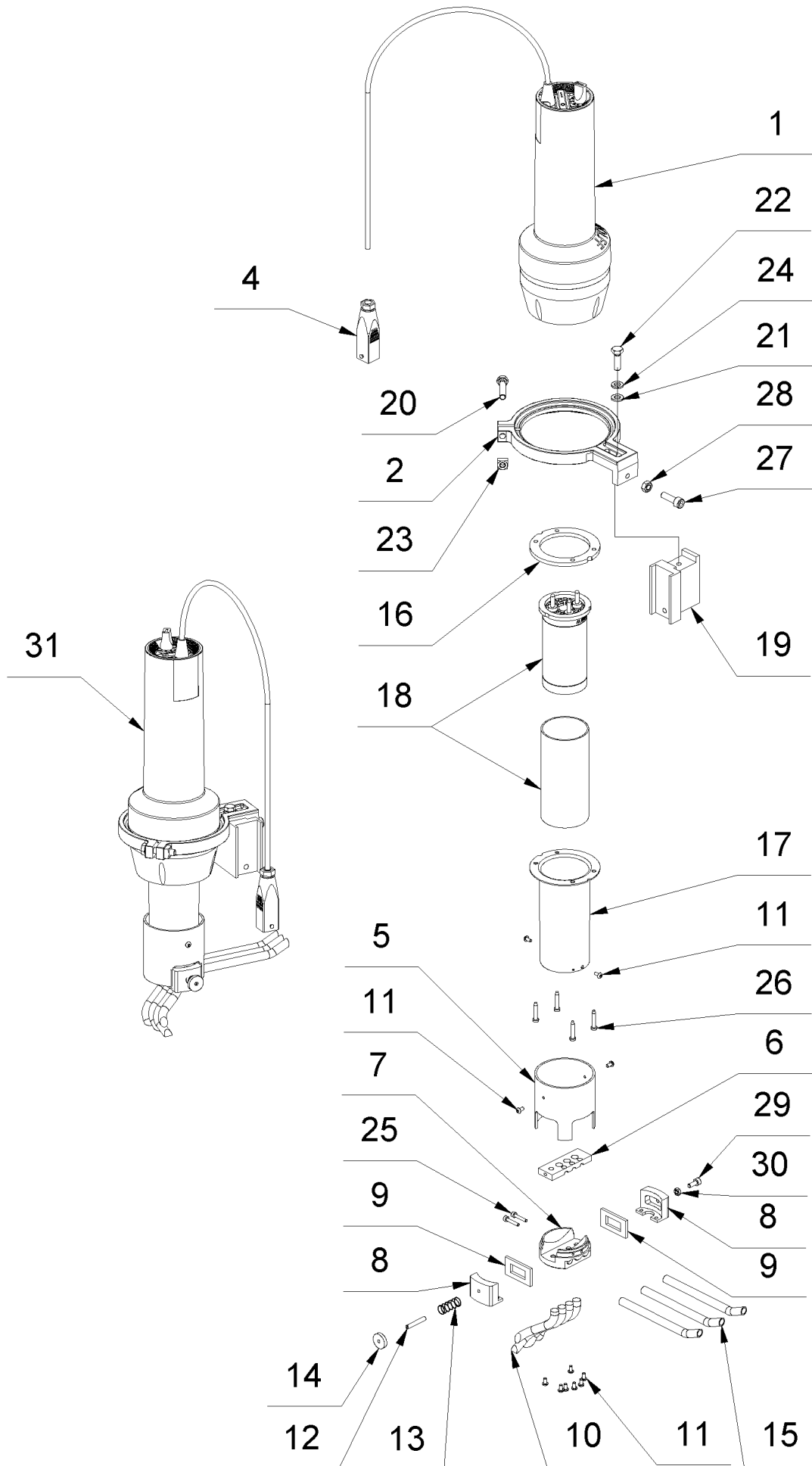
15 Hot air device 230V SAM2 SEE 164518



15 Hot air device 230V SAM2 SEE 164518

Item no.	Article no.	Description
2	017729	Grummet
3	019289	Insulating tube
4	013480	Heating element
5		Hexagon nut
6	064776	cooling fan cpl. SAM 2
7	068052	fan housing SAM 2
8		Ball bearing
9	021274	Installation engine SAM 2
10		Ball bearing
11		Cylindrical screw
12		Belt pulley
14	017482	Elektronic K25.30 SAM 2 /230V
15	050873	Switch SAM 2
16		Electrical cord
17	017461	Carbon brush 230V+115VSAM 2
18		Screw
19	041882	Rotary button f.electronic control SAM 2
21		Ring bolt
22		Screw
25		Pin
26	021038	Housing cap f.burner SAM 2
27		Charge ring
28		Housing left
29		Housing right
30		Logo
31		Cover
32		Binding head
33		Binding head
34	079803	Sieve SAM 2
35		Type plate
36		Type plate
50	018515	Heating element 115V 1600W SAM 2
53		Motor
58	071015	Elektronic K25.16 SAM 2 /120V

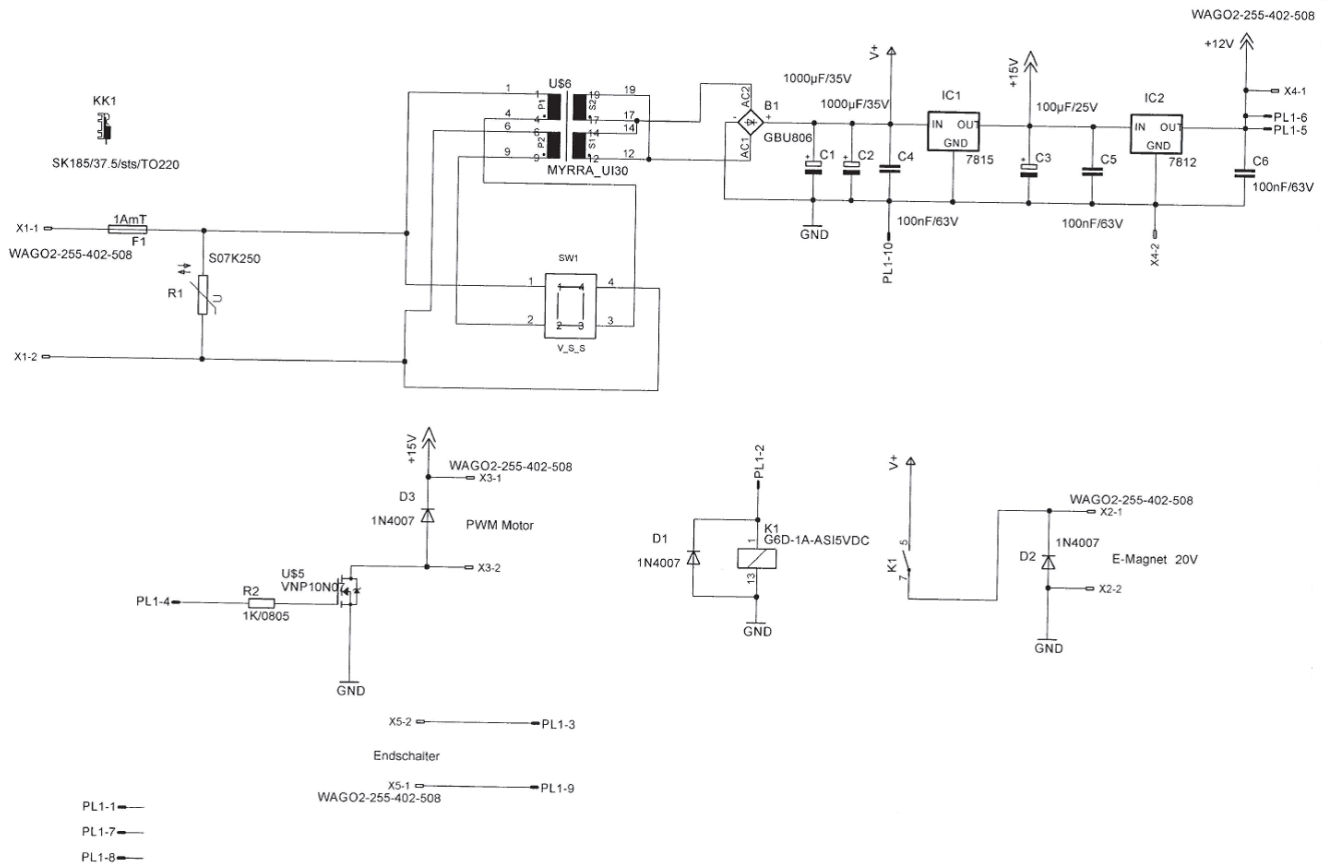
7 Heater from 2022



7 Heater from 2022

Item no.	Article no.	Description	Quantity
1	163960	Hot air device basic Phoenix 3400 230V	1
2	164448	Support arm Phoenix Weldmaster 1.0	1
4	017635	Plug with traction relief SAM 2	1
5	017595	Protective pipe SAM 2	1
6	017941	Slider SAM 2	1
7	164447	Slider housing Phoenix Weldmaster 1.0	1
8	017963	Tight housing SAM 2	2
9	017917	Sealing SAM 2	2
10	015293	Welding nozzle SAM 2	1
11	017555	Lens head screw M3x6	11
12	017981	Screw M 4 SAM 2	1
13	060822	pressure spring temperature	1
14	017707	Knurled nut M 4 DIN 467 vzkt	1
15	017965	Nozzle to deflect SAM 2	3
16	163963	Gasket Phoenix 3400	1
17	164445	Heating pipe Phoenix Weldmaster 1.0	1
18	163964	Heating element Phoenix 3400	1
19	164446	Support arm support Phoenix Weldmaster	1
20	014773	Hexagonal screw M 6x 30 DIN933	1
21	014827	Washer M6 DIN 125 A	1
22	014771	Hexagonal screw M 6x 20 DIN 933	1
23	014819	Square nut M6/557	1
24	014843	Spring washer 6 DIN 127 B	1
25	018290	Cylinder head screw M3x16 DIN 912	2
26	164443	Plastic screw Ø3,5x19	4
27	014730	Cylinder head screw M 6x20 DIN 912	1
28	014809	Hexagon nut M6 DIN 934	1
29	014717	Cylinder head screw M4x10 DIN 912	1
30	017630	Hexagon nut M 4 DIN 934	1
31	164518	BG Phoenix heater 230V Weldmaster 1.0	1

8 Circuit diagram



8 Circuit diagram

9 Accessories

Item no.	Article no.	Description	Quantity
1	015284	Carrying case 500x235x435 SAM 2	1
2	015683	Cleaning brush, brass	1
3	056293	Technical instructions Weldmaster 3-sp	1
4	013480	Heating element, 3.0 KW	1